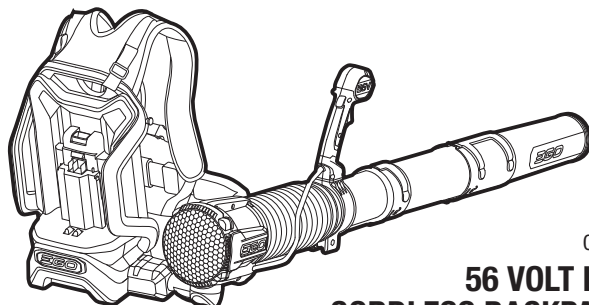


EGO™

POWER⁺ BACKPACK BLOWER

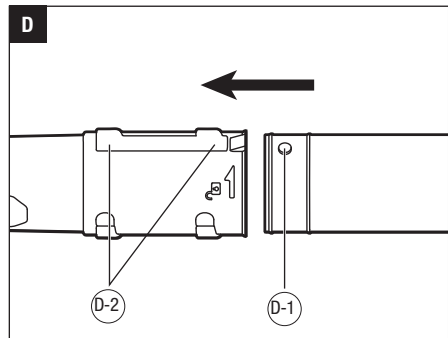
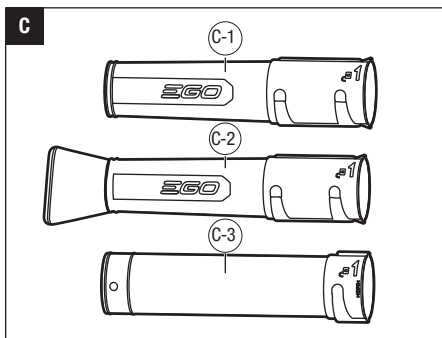
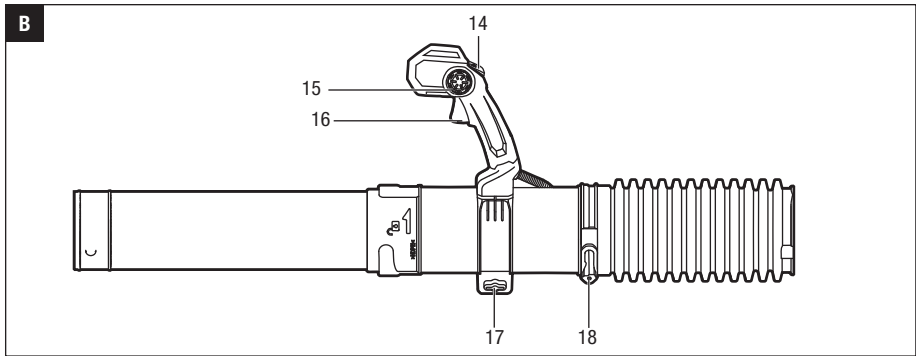
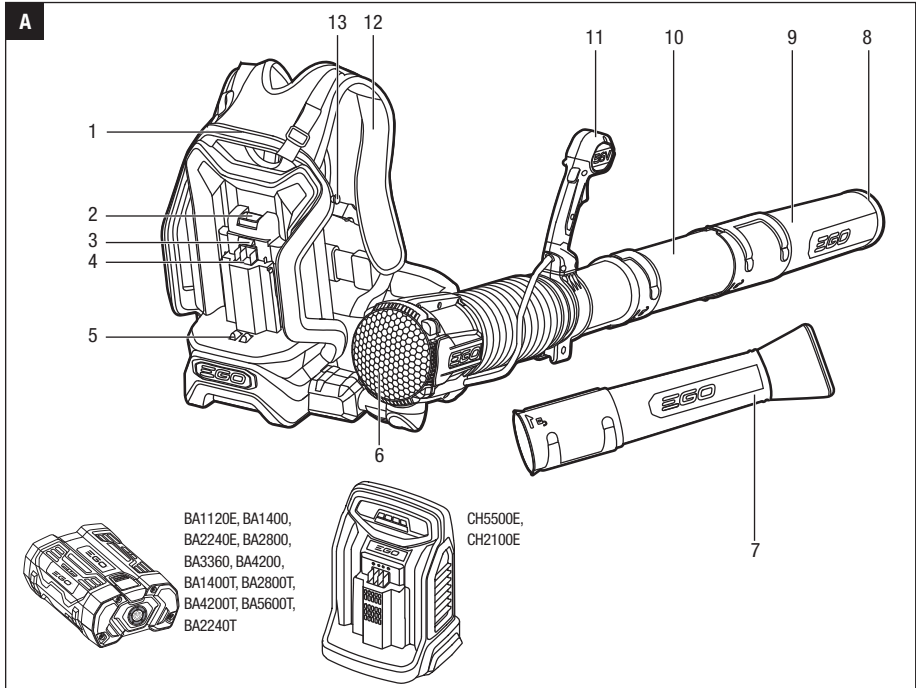


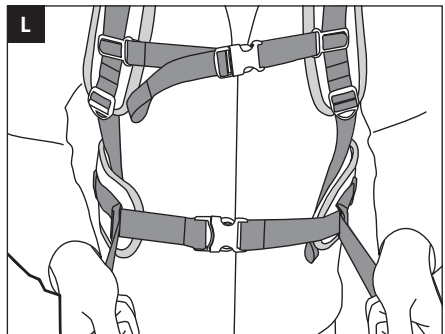
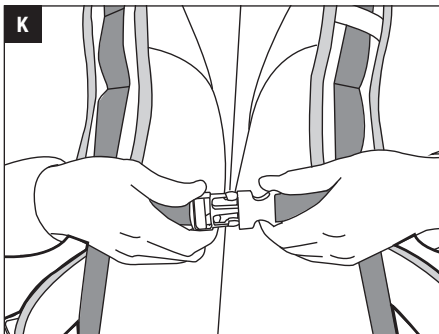
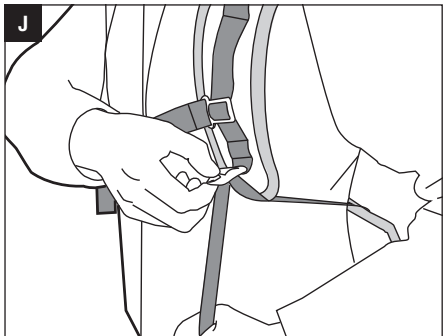
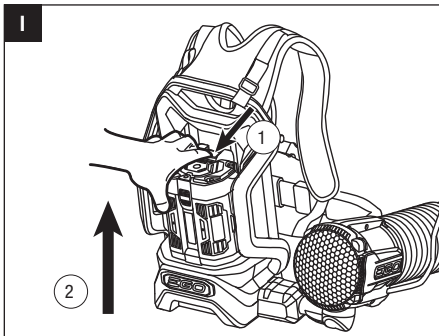
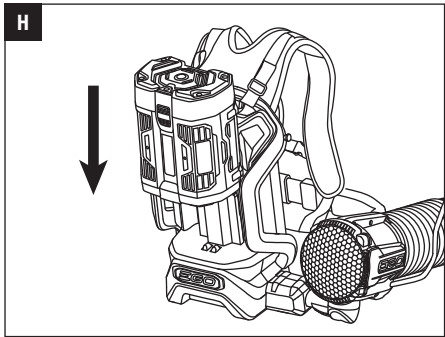
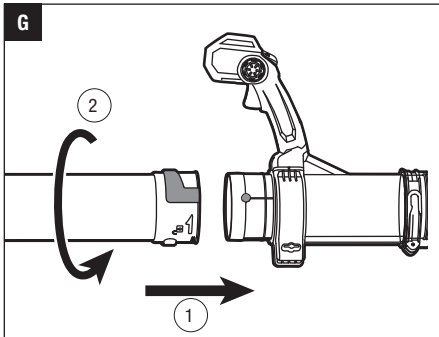
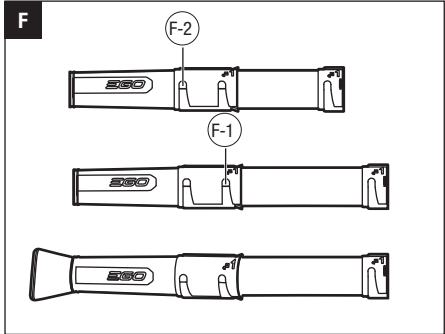
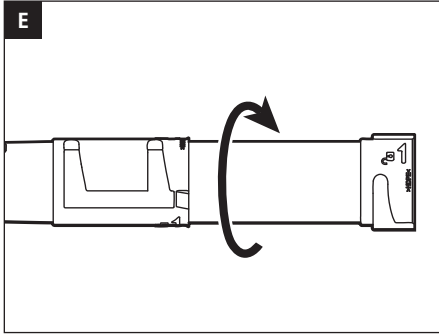
OPERATOR'S MANUAL

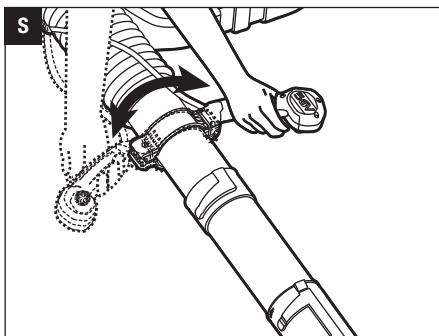
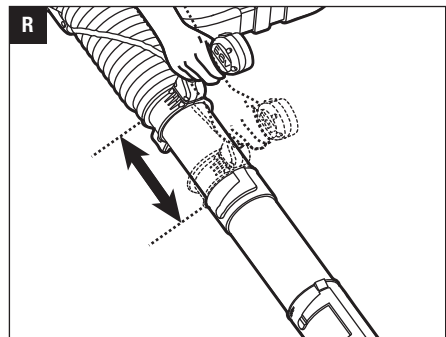
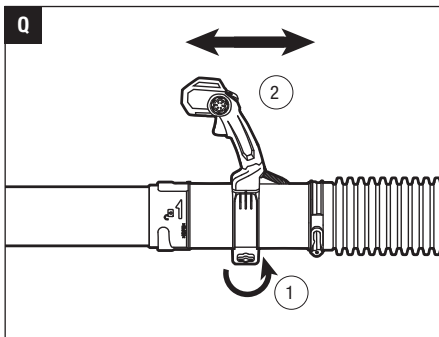
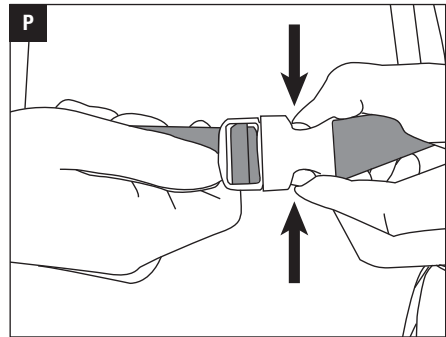
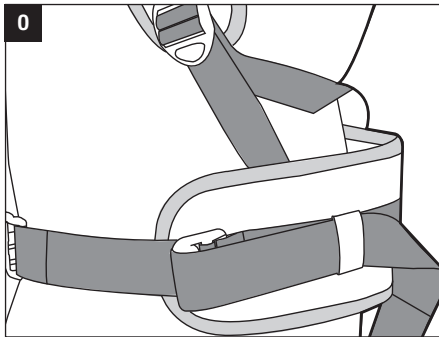
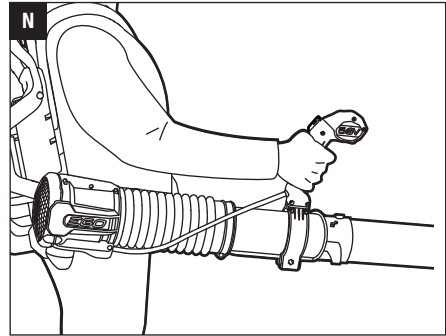
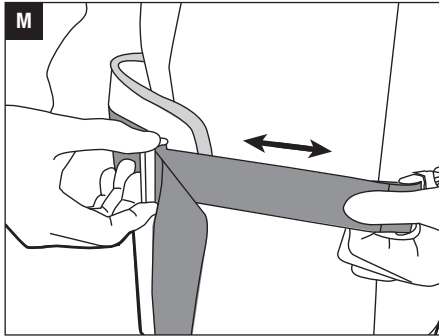
56 VOLT LITHIUM-ION CORDLESS BACKPACK BLOWER

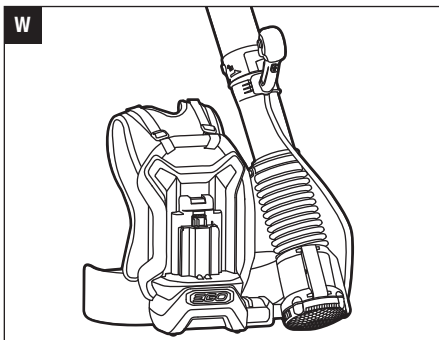
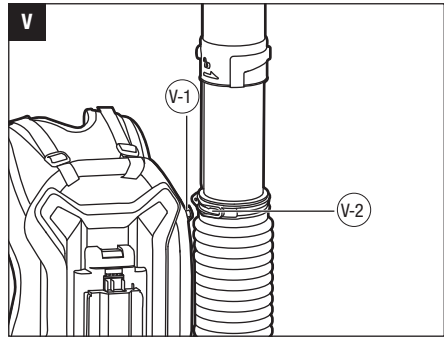
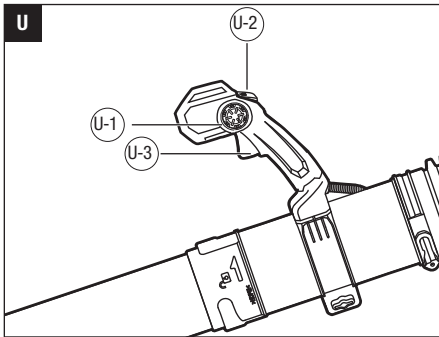
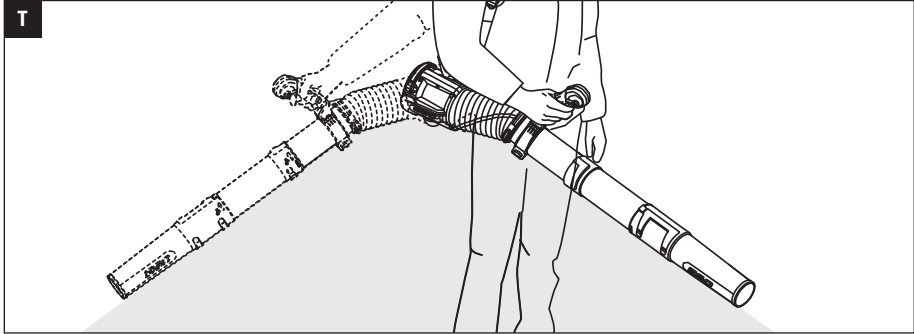
MODEL NUMBER LB6000E

EN	56 Volt lithium-ion cordless Backpack blower	6	SL	56-voltni litij-ionski brezžični puhalnik z nahrbtnikom	170
DE	Rückentragbarer Laubbläser mit 56 Volt Lithium-Ionen-Akku	15	LT	Akumulatorinis ant nugaros nešiojamas pūstuvus su 56 V litio jonų akumuliatoriumi	179
FR	Souffleur sans fil lithium-ion 56 v	25	LV	56 voltu litija jonu bezvadu mugursomas tipa pūtējs	188
ES	Soplador inalámbrido con acumulador de ion de litio de 56 v	35	GR	Ασύρματος φυσητήρας πλάτης 56 Volt Λιθίου - ιόντων	197
PT	Soprador a bateria 56 volts de ião e lítio	45	TR	56 Volt lityum-iyon kablosuz sırt tipi üfleyci	208
IT	Soffiatore a zaino a batteria li-ion 56 volt	55	ET	56-voldise liitiiumioonakuga juhtmeta lehepuhur	217
NL	56 Volt lithium-ion accu rugzak bladblazer	65	UK	56-вольтна літій-іонна наплічна акумуляторна повітродувка	226
DK	Ledningsfri "rygsæk"-løvblæser med 56 volts lithium-ion-batteri	75	BG	56 волта литиево-йонна безкабелна въздуходувка с раница	236
SE	56 volts trådlös lövblåsare med axelsele och lithium-ion-batteri	84	HR	Baterijsko puhalo s 56 voltnom litij-ionskom baterijom i naprtnjačom	247
FI	Akkukäyttöinen 56 voltin selässä kannettava litium-ionipuhallin	93	KA	56 ვოლტიანი ლითიუმ-იონის აკუმულატორიანი უსადენო ელექტრო საბერველა-ზურგანთა	256
NO	56 volts ledningsfri løvblåser med litium-ion-batteri	102	SR	Bežični ranac duvač sa litijum-jonskom baterijom od 56 volti	269
RU	Беспроводная ранцевая воздуходувка с литий-ионным аккумулятором 56 В	111	BS	Akumulatorski puhač lišća s lednom litij-ionskom baterijom od 56 V	278
PL	Bezprzewodowa dmuchawa plecakowa z baterią litowo-jonową 56 woltów	122	HE	מפוח גב אטום 56 וולט עם סוללת ליתיום-יון	287
CZ	56voltový lithium-iontový akumulátorový zádový foukač	132	AR	منفاخ لاسلكي محمول على الظهر ببطارية ليثيوم-أيون 56 فولت	296
SK	56 V lítium-iónové akumulátorové chrbtové dúchadlo	141			
HU	56 voltos vezeték nélküli lítium-ion motoros lánzfűrész	150			
RO	Suflantă cu suport de spate și acumulator de Litium de 56 Volți	160			









EN READ ALL INSTRUCTIONS!

READ OPERATOR'S MANUAL

NOTICE: These instructions shall also be available in an alternative format, e.g. on a website.

⚠ Residual risk! People with electronic devices, such as pacemakers, should consult their physician(s) before using this product. Operation of electrical equipment in close proximity to a heart pacemaker could cause interference or failure of the pacemaker.

⚠ WARNING: To ensure safety and reliability, all repairs and replacements should be performed by a qualified service technician.

SAFETY SYMBOLS

The purpose of safety symbols is to attract your attention to possible dangers. The safety symbols and the explanations with them deserve your careful attention and understanding. The symbol warnings do not, by themselves, eliminate any danger. The instructions and warnings they give are no substitutes for proper accident prevention measures.

⚠ WARNING: Be sure to read and understand all safety instructions in this Operator's Manual, including all safety alert symbols such as "DANGER," "WARNING," and "CAUTION" before using this tool. Failure to following all instructions listed below may result in electric shock, fire, and/or serious personal injury.

DAMAGE PREVENTION AND INFORMATION MESSAGES

These inform the user of important information and/or instructions that could lead to equipment or other property damage if they are not followed. Each message is preceded by the word "NOTICE", as in the example below:

NOTICE: Equipment and/or property damage may result if these instructions are not followed.



⚠ WARNING: The operation of any power tools can result in foreign objects being thrown into your eyes, which can result in severe eye damage. Before beginning power tool operation, always wear safety goggles or safety glasses with side shields and a full face shield when needed. We recommend a Wide Vision Safety Mask for use over eyeglasses or standard safety glasses with side shields.

SAFETY INSTRUCTIONS

This page depicts and describes safety symbols that may appear on this product. Read, understand, and follow all instructions on the machine before attempting to assemble and operate.

	Safety Alert	Precautions that involve your safety.
	Wear Eye Protection	Always wear safety goggles or safety glasses with side shields and a full face shield when operating this product.
	Wear Ear Protection	Always wear ear protection when operating this product.
	Read Operator's Manual	To reduce the risk of injury, user must read operator's manual before using this product.
	Keep Bystanders Away	Keep all bystanders at least 15m away.
V	Volt	Voltage
A	Amperes	Current
Hz	Hertz	Frequency (cycles per second)
W	Watt	Power
min	Minutes	Time
m ³ /h	Cubic Meter Per Hour	Air volume
km/h	Kilometers Per Hour	Air velocity
	Alternating Current	Type of current
	Direct Current	Type or a characteristic of current
n ₀	No Load Speed	Rotational speed, at no load
... /min	Per Minute	Revolutions per minute

When using an electrical appliance, basic precautions should always be followed, including the following:

GENERAL POWER TOOL SAFETY WARNINGS

⚠ WARNING: READ ALL SAFETY WARNINGS, INSTRUCTIONS, ILLUSTRATIONS AND SPECIFICATIONS PROVIDED WITH THIS POWER TOOL. Failure to follow all instructions listed below may result in electric shock, fire and/or serious injury.

SAVE ALL WARNINGS AND INSTRUCTIONS FOR FUTURE REFERENCE.

The term "power tool" in the warnings refers to your mains-operated (corded) power tool or battery-operated (cordless) power tool.

WORK AREA SAFETY

- **Keep work area clean and well lit.** Cluttered or dark areas invite accidents.
- **Do not operate power tools in explosive atmospheres, such as in the presence of flammable liquids, gases or dust.** Power tools create sparks which may ignite the dust or fumes.
- **Keep children and bystanders away while operating a power tool.** Distractions can cause you to lose control.

ELECTRICAL SAFETY

- **Power tool plugs must match the outlet. Never modify the plug in any way. Do not use any adapter plugs with earthed (grounded) power tools.** Unmodified plugs and matching outlets will reduce risk of electric shock.
- **Avoid body contact with earthed or grounded surfaces, such as pipes, radiators, ranges and refrigerators.** There is an increased risk of electric shock if your body is earthed or grounded.
- **Do not expose power tools to rain or wet conditions.** Water entering a power tool will increase the risk of electric shock.
- **Do not abuse the cord. Never use the cord for carrying, pulling or unplugging the power tool. Keep cord away from heat, oil, sharp edges or moving parts.** Damaged or entangled cords increase the risk of electric shock.
- **When operating a power tool outdoors, use an extension cord suitable for outdoor use.** Use of a cord suitable for outdoor use reduces the risk of electric shock.
- **If operating a power tool in a damp location is unavoidable, use a Ground-fault circuit interrupter protected supply.** Use of GFCI reduces the risk of electric shock.

PERSONAL SAFETY

- **Stay alert, watch what you are doing and use common sense when operating a power tool. Do not use a power tool while you are tired or under the influence of drugs, alcohol medication.** A moment of inattention while operating power tools may result in serious personal injury.
- **Use personal protective equipment. Always wear eye protection.** Protective equipment such as a dust mask, non-skid safety shoes, hard hat or hearing protection used for appropriate conditions will reduce personal injuries.
- **Prevent unintentional starting. Ensure the switch is in the off-position before connecting to power source and/or battery pack, picking up or carrying the tool.** Carrying power tools with your finger on the switch or energizing power tools that have the switch on invites accidents.
- **Remove any adjusting key or wrench before turning the power tool on.** A wrench or a key left attached to a rotating part of the power tool may result in personal injury.
- **Do not overreach. Keep proper footing and balance at all times.** This enables better control of the power tool in unexpected situations.
- **Dress properly. Do not wear loose clothing or jewellery. Keep your hair, clothing away from moving parts.** Loose clothes, jewellery or long hair can be caught in moving parts.
- **If devices are provided for the connection of dust extraction and collection facilities, ensure these are connected and properly used.** Use of dust devices can reduce dust-related hazards.
- **Do not let familiarity gained from frequent use of tools allow you to become complacent and ignore tool safety principles.** A careless action can cause severe injury with a fraction of a second.

POWER TOOL USE AND CARE

- **Do not force the power tool. Use the correct power tool for your application.** The correct power tool will do the job better and safer at the rate for which it was designed.
- **Do not use the power tool if the switch does not turn it on and off.** Any power tool that cannot be controlled with the switch is dangerous and must be repaired.

- **Disconnect the plug from the power source and/or the battery pack from the power tool before making any adjustments, changing accessories, or storing power tools.** Such preventive safety measures reduce the risk of starting the power tool accidentally.
- **Store idle power tools out of the reach of children and do not allow persons unfamiliar with the power tool or these instructions to operate the power tool.** Power tools are dangerous in the hands of untrained users.
- **Maintain power tools and accessories. Check for misalignment or binding of moving parts, breakage of parts and any other condition that may affect the power tools operation. If damaged, have the power tool repaired before use.** Many accidents are caused by poorly maintained power tools.
- **Keep cutting tools sharp and clean.** Properly maintained cutting tools with sharp cutting edges are less likely to bind and are easier to control.
- **Use the power tool, accessories and tool bits etc. in accordance with these instructions, taking into account the working conditions and the work to be performed.** Use of the power tool for operations different from those intended could result in a hazardous situation.
- **Keep handles and grasping surfaces dry, clean and free from oil and grease.** Slippery handles and grasping surfaces do not allow for safe handling and control of the tool in unexpected situations.

BATTERY TOOL USE AND CARE

- **Recharge only with the charger specified by the manufacturer.** A charger that is suitable for one type of battery pack may create a risk of fire when used with another battery pack.
- **Use power tools only with specifically designated battery packs.** Use of any other battery packs may create a risk of injury and fire.
- **When battery pack is not in use, keep it away from other metal objects, like paper clips, coins, keys, nails, screws or other small metal objects, that can make a connection from one terminal to another.** Shorting the battery terminals together may cause burns or a fire.
- **Under abusive conditions, liquid may be ejected from the battery; avoid contact. If contact accidentally occurs, flush with water. If liquid contacts eyes, additionally seek medical help.** Liquid ejected from the battery may cause irritation or burns.

- **Do not use a battery pack or tool that is damaged or modified.** Damaged or modified batteries may exhibit unpredictable behavior resulting in fire, explosion or risk of injury.
- **Do not expose a battery pack or tool to fire or excessive temperature.** Exposure to fire or temperature above 130 °C may cause explosion.
- **Follow all charging instructions and do not charge the battery pack or tool outside the temperature range specified in the instructions.** Charging improperly or at temperatures outside the specified range may damage the battery and increase the risk of fire.

SERVICE

- **Have your power tool serviced by a qualified repair person using only identical replacement parts.** This will ensure that the safety of the power tool is maintained.
- **Never service damaged battery packs.** Service of battery packs should only be performed by the manufacturer or authorized service providers.

READ ALL INSTRUCTIONS BEFORE USING THIS PRODUCT!

TRAINING

- **Never allow children, persons with reduced physical, sensory or mental capabilities or lack of experience and knowledge or people unfamiliar with these instructions to use the machine.**
- **The operator or user is responsible for accidents or hazards occurring to other people or their property.**

PREPARATION

- **The power tool may be used in the rain or wet conditions. Dry the power tool after finishing work.**
- **Before using, check the batteries or battery packs for damage.** Do not use the appliance if the batteries or battery pack is damaged.

OPERATION

- **The power tool may be used in the rain or wet conditions. Dry the power tool after finishing work.**
- **Disconnect the batteries or battery packs:**
 1. Whenever you leave the machine;
 2. Before clearing a blockage;
 3. Before checking, cleaning or working on the appliance;

4. If the appliance starts to vibrate abnormally.

- Always be sure of your footing on slopes.
- Walk, never run.
- Keep all cooling air inlets clear of debris.
- Recommendation to operate the machine only at reasonable hours – not early in the morning or late at night when people might be disturbed.
- Recommendation to slightly dampen surfaces in dusty conditions or use mister attachment.

⚠ WARNING: Danger of rotating parts!

- Use the full blower nozzle extension so the air stream can work close to the ground.
- Not to operate the machine near open windows, etc.

MAINTENANCE AND STORAGE

- Keep all nuts, bolts and screws tight to be sure the appliance is in safe working condition.
- Replace worn or damaged parts.
- Use only genuine replacement parts and accessories.
- Store the appliance only in a dry place.

⚠ WARNING: To reduce risk of fire, electric shock, or injury:

IMPORTANT

READ CAREFULLY BEFORE USE.

KEEP FOR FUTURE REFERENCE.

- Do not allow the blower to be used as a toy. Close attention is necessary when used by or near children.
- If the blower is not working as it should, has been dropped, damaged, or dropped into water, return it to a service center.
- Do not put any object into any openings. Do not use with any opening blocked; keep openings free of dust, lint, hair, and anything that may reduce air flow.
- Use extra care when cleaning on stairs.

- Do not leave blower unattended when the battery Plug is inserted. Remove the battery when the blower is not in use and before servicing.
- Do not handle the charger, including charger plug, or charger terminals with wet hands.
- Do not charge the battery pack outdoors.

⚠ WARNING:

- The battery pack must be removed from the appliance before it is scrapped.
- The battery shall be disposed of safely.
- DO NOT attempt to clear clogs from the unit without first removing the battery.
- Keep the blower and its handle dry, clean and free from oil and grease. Always use a clean cloth when cleaning. Never use brake fluids, gasoline, petroleum based products, or any strong solvents to clean your blower. Following this rule will reduce the risk of loss of control and deterioration of the enclosure plastic.
- Batteries can explode in the presence of a source of ignition, such as a pilot light. To reduce the risk of serious personal injury, never use any cordless product in the presence of an open flame. An exploded battery can propel debris and chemicals. If exposed, flush with water immediately.
- Never run the unit without the proper equipment attached. Always ensure that the blower tube is installed.
- Never use the blower near fires or hot ashes. Use near fires or ashes can spread fires and result in serious injury and/or property damage.
- Never use blower to spread chemicals, fertilizers, or any other toxic substances. Spreading these substances could result in serious injury to the operator or bystanders.
- Save these instructions. Refer to them frequently and use them to instruct others who may use this tool. If you loan this tool to someone else, also loan these instructions to them to prevent misuse of the product and possible injury.

SAVE THESE INSTRUCTIONS!

EN SPECIFICATIONS

Voltage	56 V
Maximum Air Volume	1020 m ³ /h
Maximum Air Velocity	232 km/h
Maximum Blower Force	19 N
Recommended Operating Temperature	-15°C-40°C
Recommended Storage Temperature	-20°C-70°C
Approximate Run Time (With EGO 5.0 Ah battery)	15 min (Boost)
	22 min (High speed)
	120 min (Low speed)
Blower Weight (Without battery pack, with tube)	5.7 kg
Measured sound power level L_{WA}	94.6 dB(A) K=0.8 dB(A)
Sound pressure level at operator's ear L_{PA}	82 dB(A) K=2.5 dB(A)
Guaranteed sound power level L_{WA} (according to 2000/14/EC)	95 dB(A)
Vibration a_h	0.522 m/s ² K=1.5 m/s ²

- The declared vibration total value has been measured in accordance with a standard test method and may be used for comparing one tool with another;
- The declared vibration total value may also be used in a preliminary assessment of exposure.

NOTICE: The vibration emission during actual use of the power tool can differ from the declared value in which the tool is used; In order to protect the operator, user should wear gloves and ear protectors in the actual conditions of use.

PACKING LIST

PART NAME	QUANTITY
Blower	1
Blower tube	3
Operator's manual	1

DESCRIPTION

KNOW YOUR BLOWER (Fig. A & B)

1. Handle
2. Battery-Release Button
3. Latch
4. Electric Contacts
5. Ejection Mechanism
6. Air Inlet
7. Front Tube (Curved Flat Tube)
8. Air Outlet
9. Front Tube (Cylindrical Tube)
10. Middle Tube
11. Control Handle
12. Adjustable Support Harness
13. Blower-Tube Storage Knob
14. Boost Button
15. Speed/Lock-on Dial
16. Air-speed Trigger
17. Wing Nut
18. Tube-Hanging Groove

⚠ WARNING: The safe use of this product requires an understanding of the information on the tool and in this instruction manual as well as knowledge of the project you are attempting. Before use of this product, familiarize yourself with all operating features and safety rules.

ASSEMBLY

⚠ WARNING: If any parts are damaged or missing, do not operate this product until the parts are replaced. Use of this product with damaged or missing parts could result in serious personal injury.

⚠ WARNING: Do not attempt to modify this product or create accessories not recommended for use with this blower. Any such alteration or modification is misuse and could result in a hazardous condition leading to possible serious personal injury.

⚠ WARNING: To prevent accidental starting that could cause serious personal injury, always remove the battery pack from the tool when assembling parts.

ASSEMBLING THE BLOWER TUBES

1. There are three tubes for the blower: two front tube (a cylindrical tube & a curved flat tube) and a middle tube (Fig. C).

2. First attach the cylindrical tube onto the middle tube. Align either of the grooves in the cylindrical tube with the knob on the middle tube (Fig. D).
3. Push the middle tube forward until the knob engages either of the grooves. Then rotate the middle tube in the direction of the arrow until the knob slides into the lock position (Fig. E).

Fig. C & D parts description see below:

C-1	Cylindrical Tube	D-1	Knob
C-2	Curved Flat Tube	D-2	Grooves for different lock positions
C-3	Middle Tube		

NOTICE: Before the middle tube is locked into place during rotation, you will notice a built-in stop that will create some resistance. Continue to rotate the tube past the stop until it slides fully into the lock position.

4. You may shorten or lengthen the tube length according to your preference by locking the middle tube into different lock positions (Fig. F).

Fig. F parts description see below:

F-1	First lock position
F-2	Second lock position

5. Attach the tube assembly onto the blower housing in the same way (Fig. G).
- Follow the same sequence to assemble the curved flat tube with the blower.
6. To remove the tube assembly from the blower housing or to separate the two tubes, first turn the tube in the unlocking direction to disengage the latch and then pull the tube straight outward.

OPERATION

⚠ WARNING: Do not allow familiarity with this product to make you careless. Remember that a careless fraction of a second is sufficient to inflict serious injury.

⚠ WARNING: Do not use any attachments or accessories not recommended by the manufacturer of this product. The use of attachments or accessories not recommended can result in serious personal injury.

⚠ WARNING: Always remove the battery pack from the product when you are assembling parts, making adjustments, cleaning, or when not in use. Removing the battery pack will prevent accidental starting that could cause serious personal injury.

Before each use, inspect the entire product for damaged, missing, or loose parts, such as screws, nuts, bolts, caps, etc. Tighten securely all fasteners and caps and do not operate this product until all missing or damaged parts are replaced.

⚠ WARNING: If you encounter an emergency, separate the chest buckle straightly to take off the blower.

APPLICATION

You may use this product for the purposes listed below:

- Clearing hard surfaces such as driveways and walkways.
- Keeping decks and driveways free from leaves and pine needles.

NOTICE: The tool is to be used only for its prescribed purpose. Any other use is deemed to be a case of misuse.

INSTALLING/REMOVING THE BATTERY PACK

CHARGE BEFORE FIRST USE.

Use only with battery packs and chargers listed fig.A

NOTICE: For best performance, we recommend use of the EGO 56V Battery BA2800 (5.0 Ah) or any EGO 56V battery with higher capacity.

■ To Install (Fig. H)

Align the battery ribs with the mounting slots and press the battery pack down until you hear a “click”.

■ To Remove (Fig. I)

Depress the battery-release button and pull the battery pack out.

⚠ WARNING: Always take care to note the location of your feet, children, or pets when pressing the battery-release button. Serious injury could result if the battery pack falls. NEVER remove the battery pack when in a high location.

POSITIONING THE BACKPACK BLOWER

⚠ WARNING: Dress properly to reduce the risk of injury when operating this tool. Do not wear loose clothing or jewelry. Wear eye and ear/hearing protection. Wear heavy, long pants, boots and gloves. Do not wear short pants or sandals or go barefoot.

To Adjust The Support Harness

1. Put your arms through the backpack straps to support the blower on your back.
2. Temporarily adjust both shoulder straps to comfortable positions (Fig. J), making sure that your elbow is comfortable.
3. Snap the chest buckle and adjust its length if necessary (Fig. K).

- Snap the waist buckle and adjust its length so that the backpack is securely supported by your hips (Fig. L & M).

NOTICE: The backpack shouldn't sit too high on your back; it should be positioned closer to your hips than to your shoulders.

- Readjust the shoulder straps for security and comfort. Makes sure that the backpack sits securely on your back, with the weight supported by the waist strap, and without excess movement when you move (Fig. N).
- Insert any extra length of belt around the waist into the elastic on both sides (Fig. O).
- To detach the tool from your back, just press the waist and chest buckles to release them and lower the tool (Fig. P).

To Adjust The Control Handle

- Loosen the wing nut to adjust the handle forward or backward as needed (Fig. Q & R) and then tighten the wing nut to secure the position of the handle.
- You may also rotate the handle as needed for comfort (Fig. S).
- To enlarge the area you are cleaning, move the tube to the left or the right (Fig. T).

TO START/STOP THE BLOWER (FIG. U)

Air-Speed Trigger Only

- Depress the air-speed trigger to turn on the blower.
- The air speed of the blower is controlled with the variable speed trigger. More pressure on the trigger results in higher blowing speeds; less pressure on the trigger results in lower blowing speeds. Adjust the speed to suit the task at hand.
- Release the air-speed trigger to turn off the blower.

Speed/Lock-On Dial Only

The blower can be turned on and locked at any speed with the speed /lock-on dial.

- Turn the speed/lock-on dial clockwise to start the blower. The air speed will increase as the dial is rotated clockwise.
- To decrease the air speed, turn the speed/lock-on dial counterclockwise.
- Keep turning the speed/lock-on dial counterclockwise to the off position to stop the blower.

Notice: If the speed/lock-on dial is not turned back to the off position before turning the blower on, the blower will not start through the speed/lock-on dial when a charged battery is installed. This is a protection feature to help prevent accidental startup. Depress the air-speed trigger can deactivate the protection.

Press the boost button while working to temporarily increase the air speed to the maximum level. The blower will resume the previous speed when the boost button is released.

Fig. U parts description see below:

U-1	Speed/lock-on Dial	U-3	Air-speed Trigger
U-2	Boost Button		

Tips For Using The Blower

- To keep from scattering debris, blow around the outer edges of a debris pile. Never blow directly into the center of a pile.
- To reduce sound levels, limit the number of pieces of equipment used at any one time.
- Use rakes and brooms to loosen debris before blowing. In dusty conditions, slightly dampen surfaces if water is available.
- Watch out for children, pets, open windows, or freshly washed cars, and blow debris safely away.
- After using blowers or other equipment, clean up! Dispose of debris properly.
- It is not recommended to use the blower at a high speed for a long time, as large vibration and noise may be harmful to your health.

MAINTENANCE

WARNING: When servicing, use only identical replacement parts. Use of any other parts may create a hazard or cause product damage. To ensure safety and reliability, all repairs should be performed by a qualified service technician.

WARNING: To avoid serious personal injury, always remove the battery pack from the product when cleaning or performing any maintenance.

GENERAL MAINTENANCE

Avoid using solvents when cleaning plastic parts. Most plastics are susceptible to damage from various types of commercial solvents and may be damaged by their use. Use clean cloths to remove dirt, dust, oil, grease, etc.

⚠ WARNING: Do not at any time let brake fluids, petrol, petroleum-based products, penetrating oils, etc., come in contact with plastic parts. Chemicals can damage, weaken or destroy plastic which may result in serious personal injury.

STORAGE

- Remove the battery pack from the blower.
- Clean all foreign material from the air inlets of the blower.
- Align the blower-tube storage knob with the tube-hanging groove and hook the blower tube onto the battery compartment housing (Fig. V & W).
- Store in an enclosed space that is inaccessible to children. Keep away from corrosive agents, such as garden chemicals and de-icing salts.

Fig. V parts description see below:

V-1	Blower-Tube Storage Knob
V-2	Tube-Hanging Groove

Protecting the environment



Do not dispose of electrical equipment, battery charger and batteries/rechargeable batteries into household waste!

According to the European law 2012/19/EU, electrical and electronic equipment that is no longer usable, and according to the European law 2006/66/EC, defective or used battery packs/batteries, must be collected separately and disposed of in an environmentally correct manner.

If electrical appliances are disposed of in landfills or dumps, hazardous substances can leak into the groundwater and get into the food chain, damaging your health and well-being.



EN TROUBLESHOOTING

PROBLEM	CAUSE	SOLUTION
Blower doesn't work.	<ul style="list-style-type: none">■ The battery pack is not attached to the blower.■ No electrical contact between the blower and battery.■ The battery pack is depleted.■ The battery pack or blower is too hot.■ The speed/lock-on dial was not turned back to the off position before turning the blower on.	<ul style="list-style-type: none">■ Attach the battery pack to the blower.■ Remove battery, check contacts and reinstall the battery pack.■ Charge the battery pack.■ Cool the battery pack and blower until the temperature drops below 67°C.■ Depress the air-speed trigger to deactivate the protection and start the blower or rotate the speed/lock on dial to the off position firstly.
The air velocity decreases significantly.	<ul style="list-style-type: none">■ Excessive wearing of motor fan.■ The air inlet is blocked by debris.	<ul style="list-style-type: none">■ Contact EGO service center for repair.■ Remove the battery pack, clear the debris.
The blower stops working at boost speed.	<ul style="list-style-type: none">■ The blower has been drawing a high current from the battery and goes into self-protection mode.	<ul style="list-style-type: none">■ Switch off the dial switch, then re-start the blower after the battery LED goes off. Remove the battery and plug the battery back in to restart the blower.

WARRANTY

EGO WARRANTY POLICY

Please visit the website egopowerplus.com for full terms and conditions of the EGO Warranty policy.

LESEN SIE ALLE ANWEISUNGEN!



LESEN SIE DIE GEBRAUCHSANLEITUNG

HINWEIS: Diese Anleitung wird auch in anderen Formaten zur Verfügung gestellt, z.B. auf einer Website.

⚠ Restrisiko! Menschen mit elektronischen Geräten, wie z.B. Herzschrittmachern, sollten ihren Arzt konsultieren, bevor sie dieses Gerät verwenden. Die Bedienung von Elektrogeräten in unmittelbarer Nähe zu Herzschrittmachern kann zu Interferenzen und Störungen des Schrittmachers führen.

⚠ WARNUNG: Um die Sicherheit und Zuverlässigkeit zu gewährleisten, sollten alle Reparaturen und der Austausch von Teilen nur von qualifizierten Servicetechnikern durchgeführt werden.

SICHERHEITSSYMBOL

Der Zweck von Sicherheitssymbolen besteht darin, Ihre Aufmerksamkeit auf mögliche Gefahren zu lenken. Die Sicherheitssymbole und deren Erklärungen verdienen Ihre vollste Beachtung und ihr Verständnis. Die Warnsymbole beseitigen nicht von sich aus die Gefahren. Anweisungen und Warnungen sind kein Ersatz für angemessene Unfallverhütungsmaßnahmen.

⚠ WARNUNG: Achten Sie darauf, dass Sie, bevor Sie das Gerät benutzen, alle Sicherheitsanweisungen dieser Bedienungsanleitung gelesen und verstanden haben, einschließlich aller Gefahrenzeichen wie „**VORSICHT**“, „**WARNUNG**“ und „**ACHTUNG**“. Die Nichtbeachtung der unten angeführten Anweisungen kann zu Stromschlägen, Feuer und/oder schweren Personenschäden führen.

SCHADENSVERHÜTUNG UND WICHTIGE HINWEISE

Die Hinweise informieren den Benutzer über wichtige Sachverhalte oder Anweisungen, die zur Beschädigung der Ausrüstung oder zu anderen Sachschäden führen können, wenn sie nicht befolgt werden. Jeder wichtige Hinweis wird, wie in dem Beispiel unten, durch das Wort „**HINWEIS**“ angeführt:

HINWEIS: Schäden an der Ausrüstung und/oder andere Sachschäden können entstehen, wenn die Anweisungen nicht befolgt werden.



⚠ WARNUNG: Die Bedienung von Elektrogeräten kann dazu führen, dass Fremdkörper in Ihre Augen geschleudert werden und Sie dadurch schwerwiegende Augenschäden davontragen. Tragen Sie immer eine Schutzbrille, wenn möglich mit Seitenschutz, oder, falls nötig, einen vollen Gesichtsschutz, bevor Sie Arbeiten mit dem Elektrowerkzeug verrichten. Wir empfehlen Ihnen, einen Gesichtsschutz über Ihrer eigenen Brille oder eine herkömmliche Schutzbrille mit Seitenschutz zu tragen.

SICHERHEITSHINWEISE

Diese Seite zeigt und beschreibt die Sicherheitssymbole, die auf diesem Produkt erscheinen können. Lesen, verstehen und befolgen Sie die Anweisungen auf der Maschine, bevor Sie versuchen, die Maschine zusammenzubauen oder zu bedienen.

	Sicherheitswarnung	Vorsichtsmaßnahmen, die Ihre Sicherheit betreffen.
	Augenschutz tragen	Tragen Sie immer eine Schutzbrille, möglichst mit Seitenschutz, und einen Gesichtsschutz, wenn Sie das Gerät bedienen.
	Gehörschutz tragen	Tragen Sie immer einen Gehörschutz, wenn Sie das Gerät bedienen.
	Lesen Sie die Gebrauchsanleitung	Um das Verletzungsrisiko zu verringern, muss der Benutzer die Bedienungsanleitung lesen.
	Unbefugte Personen fernhalten	Halten Sie alle unbefugten Personen mindestens 15 m fern.
V	Volt	Spannung
A	Ampere	Strom
Hz	Hertz	Frequenz (Zyklen pro Sekunde)
W	Watt	Leistung

DE

min	Minuten	Zeit
m³/h	Kubikmeter pro Stunde	Luftmenge
km/h	Kilometer pro Stunde	Luftstromgeschwindigkeit
~	Wechselstrom	Stromart
≡	Gleichstrom	Stromart oder Merkmal des Stroms
n ₀	Leerlaufdrehzahl	Drehzahl im Leerlauf
.../min	pro Minute	Umdrehungen pro Minute

Bei der Benutzung eines elektrischen Gerätes, sollten bestimmte grundlegende Vorsichtsmaßnahmen immer befolgt werden, einschließlich der folgenden :

ALLGEMEINE SICHERHEITSHINWEISE ZU ELEKTROWERKZEUGEN

⚠️ WARNUNG: LESEN SIE ALLE SICHERHEITSHINWEISE, ANWEISUNGEN, ABBILDUNGEN UND SPEZIFIKATIONEN, DIE DIESEM ELEKTROWERKZEUG BEILIEGEN. Die Nichtbeachtung aller unten aufgeführter Anweisungen kann zu Stromschlägen, Feuer und/oder schweren Verletzungen führen.

BEWAHREN SIE DIESE ANWEISUNGEN GUT AUF.

Der nachfolgend verwendete Begriff „Elektrowerkzeug“ bezieht sich auf netzbetriebene Elektrowerkzeuge (mit Netzkabel) und auf akkubetriebene Elektrowerkzeuge (ohne Netzkabel).

ARBEITSPLATZ

- **Halten Sie Ihren Arbeitsbereich sauber und aufgeräumt.** Unordnung und unbeleuchtete Arbeitsbereiche können zu Unfällen führen.
- **Arbeiten Sie mit dem Gerät nicht in explosionsgefährdeter Umgebung, in der sich brennbare Flüssigkeiten, Gase oder Staub befinden.** Elektrowerkzeuge erzeugen Funken, die den Staub oder die Dämpfe entzünden können.
- **Halten Sie Kinder und andere Personen während der Benutzung des Elektrowerkzeugs fern.** Bei Ablenkung können Sie die Kontrolle über das Gerät verlieren.

ELEKTRISCHE SICHERHEIT

- **Der Anschlussstecker des Gerätes muss in die Steckdose passen. Der Netzstecker darf in keener Weise verändert werden. Verwenden Sie keine Adapterstecker gemeinsam mit schutzgeerdeten Geräten. Unveränderte Netzstecker und passende Steckdosen verringern das Risiko eines elektrischen Schlages.**
- **Vermeiden Sie Körperkontakt mit geerdeten Oberflächen, wie von Rohren, Heizungen, Herden und Kühlschränken.** Es besteht ein erhöhtes Risiko durch elektrischen Schlag, wenn Ihr Körper geerdet ist.
- **Halten Sie das Gerät von Regen oder Nässe fern.** Das Eindringen von Wasser in ein Elektrogerät erhöht das Risiko eines elektrischen Schlages.
- **Zweckentfremden Sie das Netzkabel nicht, um das Gerät zu tragen, aufzuhängen oder um den Netzstecker aus der Steckdose zu ziehen. Halten Sie das Netzkabel fern von Hitze, Öl, scharfen Kanten oder sich bewegenden Geräteteilen.** Beschädigte oder verwickelte Netzkabel erhöhen das Risiko eines elektrischen Schlages.
- **Wenn Sie mit einem Elektrowerkzeug im Freien arbeiten, verwenden Sie nur Verlängerungskabel, die auch für den Außenbereich zugelassen sind.** Die Anwendung eines für den Außenbereich geeigneten Verlängerungskabels verringert das Risiko eines elektrischen Schlages.
- **Wenn sich Arbeiten mit einem Elektrowerkzeug in feuchten Umgebungen nicht vermeiden lassen, verwenden Sie eine Stromversorgung mit einer Fehlerstrom-Schutzeinrichtung (RCD).** Durch die Verwendung einer RCD wird die Gefahr eines elektrischen Schlags verringert.

SICHERHEIT VON PERSONEN

- **Seien Sie aufmerksam. Achten Sie darauf, was Sie tun, und gehen Sie mit Vernunft an die Arbeit mit einem Elektrowerkzeug. Benutzen Sie das Gerät nicht, wenn Sie müde sind oder unter dem Einfluss von Drogen, Alkohol oder Medikamenten stehen.** Ein Moment der Unachtsamkeit beim Gebrauch des Gerätes kann zu ernsthaften Verletzungen führen.
- **Tragen Sie persönliche Schutzausrüstung und immer eine Schutzbrille.** Das Tragen persönlicher Schutzausrüstung, wie Staubmaske, rutschfeste Sicherheitsschuhe, Schutzhelm oder Gehörschutz, je nach Art und Einsatz des Elektrowerkzeuges, verringert das Risiko von Verletzungen.

- **Ungewollten Motorstart verhindern. Vor dem Anschließen an eine Steckdose und/oder einen Akku und vor dem Aufheben oder Transportieren des Werkzeugs immer kontrollieren, ob der Betriebsschalter ausgestellt ist.** Unfälle sind vorprogrammiert, wenn Sie Elektrowerkzeuge mit einem Finger am Netzschalter tragen oder Elektrowerkzeuge mit eingeschaltetem Netzschalter an eine Steckdose anschließen.
- **Entfernen Sie Einstellwerkzeuge oder Schraubenschlüssel, bevor Sie das Gerät einschalten.** Ein Werkzeug oder Schlüssel, der sich in einem drehenden Geräteteil befindet, kann zu Verletzungen führen.
- **Überschätzen Sie sich nicht. Sorgen Sie für einen sicheren Stand und halten Sie jederzeit das Gleichgewicht.** Dadurch können Sie das Gerät in unerwarteten Situationen besser kontrollieren.
- **Tragen Sie geeignete Kleidung. Tragen Sie keine weite Kleidung oder Schmuck. Halten Sie Haare, Kleidung und Handschuhe fern von sich bewegenden Teilen.** Lockere Kleidung, Schmuck oder lange Haare können von sich bewegenden Teilen erfasst werden.
- **Wenn Staubabsaug- und -auffangeinrichtungen montiert werden können, vergewissern Sie sich, dass diese angeschlossen sind und richtig verwendet werden.** Das Verwenden dieser Einrichtungen verringert Gefährdungen durch Staub.
- **Lassen Sie sich nicht durch die aufgrund häufiger Benutzung entstandene Vertrautheit mit Werkzeugen dazu verleiten, unachtsam zu werden und die für Werkzeuge geltenden Sicherheitsgrundsätze zu ignorieren.** Eine fahrlässige Handlung kann bereits im Bruchteil einer Sekunde zu schweren Verletzungen führen.
- **Bewahren Sie unbenutzte Elektrowerkzeuge außerhalb der Reichweite von Kindern auf. Lassen Sie Personen das Gerät nicht benutzen, die mit diesem nicht vertraut sind oder diese Anweisungen nicht gelesen haben.** Elektrowerkzeuge sind gefährlich, wenn Sie von unerfahrenen Personen benutzt werden.
- **Pflegen Sie das Gerät mit Sorgfalt. Kontrollieren Sie, ob bewegliche Geräteteile einwandfrei funktionieren und nicht klemmen, ob Teile gebrochen oder so beschädigt sind, dass die Funktion des Gerätes beeinträchtigt ist. Lassen Sie beschädigte Teile vor dem Einsatz des Gerätes reparieren.** Viele Unfälle haben ihre Ursache in schlecht gewarteten Elektrowerkzeugen.
- **Halten Sie Schneidwerkzeuge scharf und sauber.** Sorgfältig gepflegte Schneidwerkzeuge mit scharfen Schneidkanten verkleben sich weniger und sind leichter zu führen.
- **Verwenden Sie Elektrowerkzeug, Zubehör, Einsatzwerkzeuge usw. entsprechend diesen Anweisungen und so, wie es für diesen speziellen Gerätetyp vorgeschrieben ist. Berücksichtigen Sie dabei die Arbeitsbedingungen und die auszuführende Tätigkeit.** Der Gebrauch von Elektrowerkzeugen für andere als die vorgesehenen Anwendungen kann zu gefährlichen Situationen führen.
- **Halten Sie die Griffe und Griffflächen trocken, sauber und frei von Öl und Fett.** Rutschige Griffe und Griffflächen beeinträchtigen die sichere Handhabung des Werkzeugs und führen in unerwarteten Situationen zum Verlust der Kontrolle über das Werkzeug.

UMGANG MIT AKKUWERKZEUGEN

SORGFÄLTIGER UMGANG UND GEBRAUCH VON ELEKTROWERKZEUGEN

- **Überlasten Sie das Gerät nicht. Verwenden Sie für Ihre Arbeit das dafür bestimmte Elektrowerkzeug.** Mit dem passenden Elektrowerkzeug arbeiten Sie besser und sicherer im angegebenen Leistungsbereich.
- **Benutzen Sie kein Elektrowerkzeug, dessen Schalter defekt ist.** Ein Elektrowerkzeug, das sich nicht mehr ein- oder ausschalten lässt, ist gefährlich und muss repariert werden.
- **Ziehen Sie den Netzstecker aus der Steckdose, bevor Sie Geräteeinstellungen vornehmen, Zubehörteile wechseln oder das Gerät weglegen.** Diese Vorsichtsmaßnahme verhindert den unbeabsichtigten Start des Geräts.
- **Zum Laden ist ausschließlich das vom Hersteller angegebene Ladegerät zu verwenden.** Ein Ladegerät, das für eine Art von Akku geeignet ist, kann bei Verwendung mit einer anderen Art von Akku Brandgefahr verursachen.
- **Elektrowerkzeuge dürfen nur mit speziell dazu bestimmten Akkus verwendet werden,** da bei der Verwendung anderer Akkus Verletzungs- und Brandgefahr entstehen kann.
- **Wenn der Akku nicht in Gebrauch ist, ist er von Büroklammern, Münzen, Schlüsseln, Nägeln, Schrauben und anderen kleinen Metallobjekten fernzuhalten, die eine Verbindung zwischen den Polen bilden können.** Kurzschließen der Pole kann Brand oder Verbrennungen verursachen.

- Bei falschem Umgang mit dem Akku kann Flüssigkeit aus dem Akku austreten. Die Berührung dieser Flüssigkeit ist zu vermeiden. Bei Berührung den betroffenen Körperteil mit Wasser abspülen. Bei Berührung der Flüssigkeit mit den Augen muss zusätzlich ärztliche Hilfe gerufen werden. Die Akkuffüllung kann Reizungen oder Verbrennungen verursachen.
- Benutzen Sie keinen Akku oder ein Werkzeug, das beschädigt oder umgebaut wurde. Beschädigte oder umgebaute Akkus können sich unvorhergesehen verhalten, wodurch möglicherweise ein Brand, eine Explosion oder Verletzung verursacht wird.
- Akkus oder Werkzeuge vor Feuer oder extremen Temperaturen schützen. Brände oder Temperaturen über 130 °C können eine Explosion verursachen.
- Befolgen Sie alle Ladeanweisungen und laden Sie den Akku oder das Werkzeug nicht außerhalb des Temperaturbereichs auf, der in der Anleitung angegeben ist. Das unsachgemäße Aufladen oder Laden außerhalb des angegebenen Temperaturbereichs kann den Akku beschädigen und die Brandgefahr erhöhen.

REPARATUREN

- Lassen Sie Ihr Elektrowerkzeug von einer qualifizierten Fachkraft und nur unter Verwendung baugleicher Ersatzteile reparieren. Nur so kann für die Sicherheit des Elektrowerkzeugs gesorgt werden.
- Reparieren Sie unter keinen Umständen beschädigte Akkus. Die Reparatur von Akkus sollte ausschließlich von dem Hersteller oder autorisierten Reparaturwerkstätten vorgenommen werden.

LESEN SIE VOR DER BENUTZUNG DIESES PRODUKTS ALLE ANWEISUNGEN!

UNTERWEISUNG

- Kindern, Personen mit eingeschränkter körperlicher, sensorischer oder geistiger Fähigkeit oder mit mangelnden Erfahrungen und Fachkenntnissen oder Personen, die die vorliegenden Anweisungen nicht kennen, muss die Nutzung des Geräts untersagt werden.
- Für Unfälle, Personen- oder Sachschäden Dritter ist der Bediener oder Nutzer des Geräts verantwortlich.

VORBEREITUNG

- Das Elektrowerkzeug kann im Regen oder in nassen Umgebungsbedingungen benutzt werden.

Trocknen Sie das Elektrowerkzeug nach Abschluss der Arbeit ab.

- Prüfen Sie die Batterien oder den Akku vor der Inbetriebsetzung auf Schäden. Verwenden Sie die Batterien oder den Akkusatz nicht, wenn sie beschädigt sind.

BEDIENUNG

- Das Elektrowerkzeug kann im Regen oder in nassen Umgebungsbedingungen benutzt werden. Trocknen Sie das Elektrowerkzeug nach Abschluss der Arbeit ab.

- Entfernen Sie die Batterien bzw. den Akku in folgenden Fällen:

1. beim Zurücklassen des Geräts
2. beim Beseitigen von Blockaden
3. vor dem Prüfen, Reinigen oder Arbeiten am Gerät
4. wenn das Gerät ungewöhnlich stark zu vibrieren beginnt

- An Hängen immer auf einen festen Stand achten.

- Nur gehen, niemals rennen.

- Halten Sie alle Belüftungsöffnungen frei von Verunreinigungen.

- Um Ruhestörungen zu vermeiden, sollte das Gerät zu angemessenen Tageszeiten eingesetzt werden; das heißt nicht früh am Morgen oder spät am Abend.

- Unter staubigen Bedingungen sollten die Flächen leicht angefeuchtet werden. Es kann auch ein Befeuchtungsaufsatz verwendet werden.

⚠ WARNUNG: Gefahr durch rotierende Teile!

- Ziehen Sie das Laubblasrohr ganz heraus, damit der Luftstrom möglichst nah am Boden ansetzen kann.

- Das Gerät darf nicht in der Nähe geöffneter Fenster o.ä. eingesetzt werden.

WARTUNG UND LAGERUNG

- Achten Sie darauf, dass alle Schrauben, Muttern und Bolzen fest angezogen sind. Nur so kann für eine entsprechende Gerätesicherheit gesorgt werden.

- Ersetzen Sie abgenutzte oder beschädigte Teile.

- Verwenden Sie nur Originalersatzteile und Zubehörteile.

- Lagern Sie das Gerät nur an trockenen Orten.

⚠ WARNUNG: Um das Risiko für Feuer, Stromschläge und Verletzungen zu verringern:

WICHTIG

VOR DER BENUTZUNG SORGFÄLTIG LESEN.

ZUM SPÄTEREN NACHSCHLAGEN AUFBEWAHREN.

- **Der Laubbläser darf nicht als Spielzeug benutzt werden. Besondere Aufmerksamkeit ist erforderlich, wenn Kinder in der Nähe sind.**
- **Wenn der Laubbläser nicht so funktioniert wie er sollte, wenn er fallen gelassen wurde, wenn er beschädigt ist oder wenn er mit Wasser in Berührung gekommen ist, bringen Sie ihn zu einem Servicezentrum.**
- **Keine Gegenstände in Gehäuseöffnungen einführen. Nicht mit blockierten Öffnungen in Betrieb setzen. Die Öffnungen von Staub, Flusen, Haaren und allem frei halten, was die Luftzirkulation beeinträchtigt.**
- **Seien Sie besonders vorsichtig, wenn Sie auf Treppen säubern.**
- **Lassen Sie den Laubbläser nicht unbeaufsichtigt, wenn der Akkustecker verbunden ist. Entfernen Sie den Akku, wenn das Gebläse nicht benutzt wird und wenn Sie das Gerät warten.**
- **Das Ladegerät, den Netzstecker oder die Kontakte des Ladegeräts nicht mit nassen Händen anfassen.**
- **Den Akkusatz nicht im Freien aufladen.**
- **WARNUNG:**

Vor dem Entsorgen muss der Akku aus dem Gerät entfernt werden.

Der Akku muss sicher entsorgt werden.

- **Nehmen Sie ZUERST den Akku aus dem Gerät, bevor Sie versuchen, Blockaden zu lösen.**
- **Halten Sie den Laubbläser und den Griff trocken, sauber und frei von Öl oder Fett.** Verwenden Sie zum Säubern immer einen sauberen Lappen. Reinigen Sie den Laubbläser auf keinen Fall mit Bremsflüssigkeit, Benzin, Erzeugnissen auf Erdölbasis oder mit starken Lösungsmitteln. Sie laufen dadurch weniger Gefahr, die Kontrolle über das Gerät zu verlieren, und verhindern, dass das Kunststoffgehäuse angegriffen wird.
- **Akkus können in Gegenwart einer Zündquelle, wie z.B. einer Zündflamme, explodieren.** In der Gegenwart offener Flammen nie schnurlose Geräte benutzen, um die Gefahr schwerer Verletzungen zu verhindern. Bei einem explodierenden Akku können Schmutz und Chemikalien umhergeschleudert werden. Bei einer entsprechenden Gefährdung unverzüglich mit Wasser abspülen.

- **Betreiben Sie das Gerät niemals ohne zuvor die entsprechenden Zubehörteile zu montieren.** Achten Sie immer darauf, dass das Laubbläserrohr montiert ist.
- **Verwenden Sie das Gebläse niemals in der Nähe von Feuer oder heißer Asche.** Die Verwendung in der Nähe von Feuer oder heißer Asche kann zur Ausbreitung des Feuers und damit zu schweren Verletzungen und/oder Sachschäden führen.
- **Verwenden Sie das Gebläse niemals, um damit Chemikalien, Düngemittel oder andere toxische Substanzen zu verteilen.** Das Verteilen solcher Stoffe kann zu schweren Verletzungen beim Bediener der Maschine oder bei Passanten führen.
- **Heben Sie diese Anleitung auf. Schlagen Sie gegebenenfalls darin nach und verwenden Sie sie, um andere in die Verwendung des Geräts einzuweisen.** Falls Sie dieses Werkzeug an andere verleihen, händigen Sie ihnen auch diese Anleitung aus, um einem Missbrauch des Geräts und möglichen Verletzungen vorzubeugen.

HEBEN SIE DIESE ANLEITUNG AUF!

TECHNISCHE DATEN

Spannung	56 V
Maximalen Luftmenge	1020 m ³ /h
Maximalen Luftgeschwindigkeit	232 km/h
Maximale Laubbläser-Kraft	19 N
Empfohlene Betriebstemperatur	-15°C-40°C
Empfohlene Lagertemperatur	-20°C-70°C
Ungefähre Laufzeit (mit EGO 56V Akku 5 Ah)	15 min (Boost)
	22 min (Hohe Drehzahl)
	120 min (Niedrige Drehzahl)
Bläsergewicht (ohne Akku, mit Rohr)	5,7 kg
Gemessener Schalleistungspegel L _{WA}	94,6 dB(A) K=0,8 dB(A)
Schalldruckpegel am Ohr des Bedieners L _{PA}	82 dB(A) K=2,5 dB(A)

Garantierter Schallleistungspegel L_{WA} (nach 2000/14/EG gemessen)	95 dB(A)
Vibration a_h	0,522 m/s ² K=1,5 m/s ²

- Der angegebene Schwingungsgesamtwert wurde in Übereinstimmung mit einer Standardtestmethode gemessen und kann verwendet werden, um Werkzeuge miteinander zu vergleichen.
- Der angegebene Schwingungsgesamtwert kann auch als einleitende Feststellung der Belastung verwendet werden.

HINWEIS: Die Schwingungs-Emission während der tatsächlichen Arbeit mit dem Elektrowerkzeug kann vom angegebenen Wert abweichen. Um den Bediener zu schützen, sollte man unter den tatsächlichen Bedingungen Handschuhe und Gehörschutz tragen.

PACKLISTE

TEILNAME	MENGE
Laubbläser	1
Gebälserohr	3
Bedienungsanleitung	1

BESCHREIBUNG

AUFBAU (Abb. A & B)

- Griff
- Akku-Freigabeknopf
- Verschluss
- Elektrische Kontakte
- Auswurfmechanismus
- Luftansaugung
- Vorderes Rohr (Gebogener Flachschauch)
- Luftaustrittsöffnung
- Vorderes Rohr (Zylindrischer Schlauch)
- Mittleres Rohr
- Steuerhebel
- Verstellbare Tragegurte
- Knopf für Bläserrohraufbewahrung
- Boost-Knopf
- Geschwindigkeits-/Arretierungsscheibe
- Luftgeschwindigkeitshebel
- Flügelmutter
- Rohraufhängungsrille

⚠️ WARNUNG: Der sichere Umgang mit diesem Produkt erfordert sowohl das Verstehen der Informationen auf dem Werkzeug und in dieser Anleitung, als auch Kenntnis über die Arbeitsaufgabe, die Sie planen. Machen Sie sich vor der Nutzung des Produkts mit allen Bedienmerkmalen und Sicherheitsregeln vertraut.

MONTAGE

⚠️ WARNUNG: Wenn irgendwelche Teile beschädigt sind oder fehlen, dann verwenden Sie das Produkt nicht, bis alle Teile ersetzt worden sind. Die Verwendung dieses Produkts mit beschädigten Teilen, oder wenn Teile fehlen, könnte zu schweren Verletzungen führen.

⚠️ WARNUNG: Versuchen Sie nicht, dieses Produkt zu verändern oder Zubehörteile zu verwenden, die nicht für die Benutzung mit dem Gebläse empfohlen sind. Jegliche solchen Änderungen oder Umbauten stellen einen unsachgemäßen Gebrauch dar und können zu gefährlichen Umständen führen, die möglicherweise schwerwiegende Personenschäden hervorrufen.

⚠️ WARNUNG: Um das unbeabsichtigte Starten, das zu schwerwiegenden Personenschäden führen könnte, zu verhindern, entfernen Sie immer den Akkusatz aus dem Werkzeug, wenn Sie Teile montieren.

MONTAGE DER GEBLÄSEROHRE

- Es gibt drei Rohre: zwei vordere Rohre (ein zylindrisches und ein gebogenes flaches Rohr) sowie ein mittleres Rohr (Abb. C).
- Verbinden Sie zuerst das zylindrische mit dem mittleren Rohr. Bringen Sie eine der Rillen am zylindrischen Rohr mit dem Knopf am mittleren Rohr zur Deckung (Abb. D).
- Schieben Sie das mittlere Rohr so ein, dass der Knopf in den beiden Nuten einrastet. Drehen Sie dann das mittlere Rohr mit dem Knopf in Pfeilrichtung in die arretierte Stellung (Abb. E).

Teilebezeichnung der Abb. C und D:

C-1	Zylindrischer Schlauch	D-1	Einrastknopf
C-2	Gebogener Flachschauch	D-2	Nuten für verschiedene Arretierungspositionen
C-3	Mittleres Rohr		

HINWEIS: Beim Drehen des mittleren Rohrs ist vor dem Arretieren aufgrund eines Anschlags ein gewisser Widerstand zu spüren. Drehen Sie das Rohr über diesen Anschlag hinaus weiter, bis es vollständig arretiert ist.

4. Durch zwei verschiedene Arretierungspositionen des mittleren Rohrs (Abb. F) lässt sich das Rohr je nach Bedarf verkürzen oder verlängern.

Teilebezeichnung der Abb. F:

F-1	Arretiert in der ersten Stellung
F-2	Arretiert in der zweiten Stellung

5. Montieren Sie das komplette Rohr auf dieselbe Weise am Stutzen des Laubbläfers (Abb. G).

Gehen Sie beim Verbinden des gebogenen flachen Rohrs mit dem Lüfter gleichermaßen vor.

6. Um das komplette Rohr vom Bläserstutzen abzunehmen oder die beiden Rohre voneinander zu trennen, drehen Sie zuerst das Rohr in die entgegengesetzte Richtung, um die Verriegelung zu lösen und ziehen Sie dann das Rohr gerade heraus.

BEDIENUNG

⚠️ WARNUNG: Vermeiden Sie es, dass die Vertrautheit mit dem Produkt zu Nachlässigkeit führt. Denken Sie daran, dass ein kurzer Moment der Unachtsamkeit zu ernsthaften Verletzungen führen kann.

⚠️ WARNUNG: Verwenden Sie keine Aufsätze oder Zubehörteile, die nicht vom Hersteller dieses Produkts empfohlen worden sind. Die Verwendung von anderen und nicht empfohlenen Zusätzen oder Zubehörteilen kann zu schweren Verletzungen führen.

⚠️ WARNUNG: Entfernen Sie immer den Akkusatz aus dem Produkt, wenn Sie Teile montieren, Anpassungen vornehmen, etwas säubern oder wenn das Gerät nicht benutzt wird. Das Entfernen des Akkusatzes beugt dem unabsichtlichen Starten vor, das zu schweren Verletzungen führen kann.

Inspizieren Sie das gesamte Produkt vor jeder Benutzung auf beschädigte, fehlende oder lockere Teile, wie z.B. Schrauben, Muttern, Bolzen, Abdeckungen usw. Ziehen Sie alle Befestigungsteile an und bedienen Sie das Produkt nicht, bis alle beschädigten oder fehlenden Teile ersetzt worden sind.

HINWEIS: Trennen Sie bei einem Notfall geradewegs die Brustschließe, um den Laubbläser abzulegen.

BESTIMMUNGSGEMÄSSE VERWENDUNG

Sie können dieses Produkt für die unten aufgeführten Zwecke einsetzen:

- Freiblasen von harten Oberflächen wie Zufahrtswegen und Gehsteigen.
- Säubern von Terrassen und Zufahrten von Blättern und Kiefernadeln.

HINWEIS: Das Gerät darf nur für seinen vorgeschriebenen Zweck verwendet werden. Jede andere Verwendung gilt als Missbrauch.

ANBRINGEN/ABNEHMEN DES AKKUS

LADEN SIE DEN AKKU VOR DEM ERSTEN GEBRAUCH AUF.

Nur mit akkus und ladegeräten verwenden, die in abb. A aufgeführt sind.

HINWEIS: Für maximale Leistung empfehlen wir den EGO 56 V Akku BA2800 (5,0 Ah) oder einen anderen EGO 56 V Akku mit höherer Kapazität.

■ Anbringen (Abb. H)

Lassen Sie die Rippen am Akkugehäuse mit den Öffnungen am Gerät fluchten und schieben Sie den Akkubis zum hörbaren Einrasten in das Gerät.

■ Abnehmen (Abb. I)

Drücken Sie die Batterieentriegelung und ziehen Sie den Akku heraus.

⚠️ WARNUNG: Achten Sie immer auf Ihre Füße, Kinder oder Tiere um Sie herum, wenn Sie den Akku-Auswurf-Knopf betätigen. Ernsthaftige Verletzungen könnten die Folge sein, wenn der Akku herunterfällt. Entfernen Sie den Akku NIEMALS aus einer hohen Position heraus.

POSITIONIERUNG DES RÜCKENTRAGBAREN LAUBBLÄSERS

⚠️ WARNUNG: Tragen Sie geeignete Kleidung, um das Verletzungsrisiko bei der Benutzung dieses Geräts zu reduzieren. Tragen Sie keine weite Kleidung oder Schmuck. Tragen Sie einen Augen- und Gehörschutz. Tragen Sie eine robuste lange Hose, Stiefel und Handschuhe. Tragen Sie keine kurze Hose oder Sandalen und gehen Sie nicht barfuß.

Einstellung der Tragegurte

1. Hängen Sie sich das Tragegeschirr des Laubbläfers wie einen Rucksack auf den Rücken.
2. Ziehen Sie beide Schultergurte bequem fest (Abb. J), so dass der Ellbogen gute Bewegungsfreiheit hat.
3. Schließen Sie die Schnalle des Brustgurts und stellen Sie die Gurtlänge bei Bedarf ein (Abb. K).
4. Schließen Sie die Schnalle des Hüftgurts und stellen Sie die Gurtlänge so ein, dass das Tragegeschirr von Ihren Hüften sicher gestützt wird (Abb. L und M).

HINWEIS: Das Tragegeschirr soll nicht zu hoch auf dem Rücken sitzen, sondern näher an den Hüften als an den Schultern.

5. Stellen Sie die Schultergurte nach, damit sie sicher und bequem sind. Vergewissern Sie sich, dass das Tragegeschirr sicher auf Ihrem Rücken sitzt und beim Bewegen nicht rutscht und das Gewicht vom Hüftgurt getragen wird (Abb. N).
6. Stecken Sie den überschüssigen Hüftgurt in die Gummilösen auf beiden Seiten (Abb. O).
7. Zum Abnehmen des Geräts von Ihrem Rücken brauchen Sie lediglich die Schnallen des Hüft- und Brustgurts zu öffnen (Abb. P).

Einstellung des Steuerhebels

1. Lockern Sie die Flügelmutter, um den Hebel je nach Bedarf nach vorne oder nach hinten zu schieben (Abb. R und Q), und sichern Sie die Hebelstellung dann durch erneutes Festziehen der Flügelmutter.
2. Der Griff lässt sich für noch besseren Komfort auch drehen (Abb. R).
3. Um den Aktionsradius des Laubbläfers zu vergrößern, das Rohr nach links oder rechts schwenken (Abb. S).

EIN-/AUSSCHALTEN DES LAUBBLÄSERS (Abb. T)

Nur Luftgeschwindigkeitshebel

- Drücken Sie den Luftgeschwindigkeitshebel, um den Laubbläser einzuschalten.
- Die Luftgeschwindigkeit des Laubbläfers wird mithilfe des stufenlosen Geschwindigkeitshebels reguliert. Je stärker Sie den Hebel drücken, umso höher ist die Bläsergeschwindigkeit; bei weniger Druck reduziert sich die Bläsergeschwindigkeit.
- Lassen Sie den Luftgeschwindigkeitshebel los, um den Laubbläser auszuschalten.

Nur Geschwindigkeits-/Arretierungsscheibe

Der Laubbläser kann eingeschaltet und auf eine beliebige Geschwindigkeit mithilfe der Geschwindigkeits-/Arretierungsscheibe fest eingestellt werden.

- Drehen Sie die Geschwindigkeits-/Arretierungsscheibe im Uhrzeigersinn, um den Laubbläser zu starten. Die Luftgeschwindigkeit erhöht sich, je weiter die Drehscheibe im Uhrzeigersinn gedreht wird.
- Um die Luftgeschwindigkeit zu reduzieren, drehen Sie die Geschwindigkeits-/Arretierungsscheibe gegen den Uhrzeigersinn. Drehen Sie die Geschwindigkeits-/Arretierungsscheibe weiter gegen den Uhrzeigersinn.
- Drehen Sie die Geschwindigkeits-/Arretierungsscheibe weiter gegen den Uhrzeigersinn auf die Aus-Position, um den Laubbläser anzuhalten.

Hinweis: Wenn die Geschwindigkeits-/Arretierungsscheibe nicht zurück auf die Aus-Position gestellt wird, bevor Sie den Laubbläser einschalten, lässt sich der Laubbläser nicht durch die Geschwindigkeits-/Arretierungsscheibe starten, wenn ein aufgeladener Akku eingelegt ist. Dies ist eine Schutzfunktion zur Verhinderung eines versehentlichen Startens. Durch Drücken des Luftgeschwindigkeitsauslösers kann der Schutz deaktiviert werden.

Drücken Sie den Boost-Knopf während des Betriebs, um kurzzeitig die Luftgeschwindigkeit auf die maximale Stufe zu erhöhen. Der Laubbläser läuft mit der vorherigen Geschwindigkeit weiter, wenn Sie den Boost-Knopf loslassen.

Teilebezeichnung der Abb. U:

U-1	Geschwindigkeits-/Arretierungsscheibe	U-3	Luftgeschwindigkeitshebel
U-2	Boost-Knopf		

TIPPS FÜR DEN GEBRAUCH DES LAUBBLÄSERS

- Um sich vor auseinanderstiebendem Schmutz zu schützen, blasen Sie um die äußeren Ränder des Schmutzhaufens herum. Blasen Sie niemals direkt in die Mitte eines Haufens.
- Um den Lärmpegel zu reduzieren, begrenzen Sie die Anzahl der zu einer Zeit verwendeten Ausrüstungsteile.
- Verwenden Sie Haken und Besen, um den Schutt vor dem Wegblasen zu lockern. Unter staubigen Bedingungen befeuchten Sie die Oberflächen etwas, wenn Ihnen Wasser zur Verfügung steht.
- Geben Sie auf Kinder, Tiere, offene Fenster oder frisch gewaschene Autos Acht. Blasen Sie den Schmutz vorsichtig weg.
- Säubern Sie den Ort nach der Benutzung des Gebläses oder anderer Geräte. Entsorgen Sie den Schutt ordnungsgemäß.
- Es empfiehlt sich nicht, den Laubbläser bei hoher Geschwindigkeit lange Zeit zu benutzen, da starke Vibrationen und Lärm gesundheitsschädlich sein können.

WARTUNG

⚠️ WARNUNG: Verwenden Sie für die Wartung nur identische Ersatzteile. Die Verwendung anderer Teile kann Unfälle und Schäden am Gerät hervorrufen. Um die Sicherheit und Zuverlässigkeit zu gewährleisten, sollten alle Reparaturen nur von qualifizierten Servicetechnikern durchgeführt werden.

⚠️ WARNUNG: Um ernsthafte Personenschäden zu vermeiden, entfernen Sie immer den Akkusatz aus dem Produkt, wenn Sie das Gerät säubern oder Wartungsarbeiten vornehmen.

LAUFENDE WARTUNGSARBEITEN

Vermeiden Sie es, Lösungsmittel bei der Säuberung der Plastikteile zu verwenden. Die meisten Kunststoffe sind anfällig für Schäden durch die vielen Arten von im Handel erhältlichen Lösungsmitteln. Die Teile könnten beschädigt werden. Nehmen Sie einen sauberen Lappen, um Schmutz, Staub, Öl, Fett usw. zu entfernen.

⚠️ WARNUNG: Lassen Sie niemals Bremsflüssigkeit, Benzin, erdöhlhaltige Produkte, durchdringende Öle usw. in Kontakt mit den Plastikteilen kommen. Chemikalien können Plastik beschädigen, angreifen oder zerstören, was zu ernsthaften Personenschäden führen kann.

LAGERUNG

- Entnehmen Sie den Akkusatz aus dem Gebläse.
- Entfernen Sie alle Fremdkörper von den Lufteintrittsöffnungen des Gebläses.
- Hängen Sie das Bläserrohr mit der Rohraufhängungsrille auf den dafür vorgesehenen Knopf des Batteriefachs (Abb. V und W).
- Lagern Sie das Gerät in einem geschlossenen Raum, der für Kinder nicht zugänglich ist. Halten Sie es von zersetzenden Mitteln wie Gartenchemikalien oder Tausalzen fern.

Teilebezeichnung der Abb. V:

V-1	Knopf für Bläserrohraufbewahrung
V-2	Rohraufhängungsrille

Umweltschutz



Entsorgen Sie elektronische Geräte, Ladegeräte und Batterien/Akkus nicht im Hausmüll!

Gemäß der europäischen Rechtsnorm 2012/19/EG müssen elektrische und elektronische Geräte, die nicht mehr benutzt werden, separat gesammelt und umweltgerecht entsorgt werden. Dasselbe trifft gemäß der europäischen Rechtsnorm 2006/66/EG auch auf defekte oder verbrauchte Batterien/Akkus zu.

Wenn elektrische Geräte auf Deponien oder Schutthalde entsorgt werden, dann können gefährliche Substanzen ins Grundwasser sickern und in die Nahrungskette übergehen, was Ihre Gesundheit und Ihr Wohlbefinden beeinträchtigen kann.

DE

STÖRUNGSBESEITIGUNG

DE

PROBLEM	GRUND	LÖSUNG
Das Gebläse funktioniert nicht.	<ul style="list-style-type: none"> ■ Der Akkusatz ist nicht in das Gebläse eingesetzt. ■ Kein elektrischer Kontakt zwischen Gebläse und Akku ■ Der Akkusatz ist leer. ■ Der Akkusatz oder das Gebläse sind zu heiß. ■ Die Geschwindigkeits-/Arretierungsscheibe wurde vor dem Einschalten des Laubbläasers nicht zurück auf die Aus-Position gestellt. 	<ul style="list-style-type: none"> ■ Legen Sie den Akkusatz in das Gebläse ein ■ Entnehmen Sie den Akku, überprüfen Sie die Kontakte und setzen Sie ihn wieder ein. ■ Laden Sie den Akkusatz auf. ■ Kühlen Sie den Akkusatz und das Gebläse, bis die Temperatur unter 67 °C fällt. ■ Drücken Sie den Luftgeschwindigkeitshebel, um den Schutz zu deaktivieren und starten Sie den Laubbläser oder drehen Sie erst die Geschwindigkeits-/Arretierungsscheibe auf die Aus-Position.
Die Luftgeschwindigkeit Deutlich ab.	<ul style="list-style-type: none"> ■ Starke Abnutzung des Gebläsemotors. ■ Die Lufteintrittsöffnung ist durch Schmutz blockiert. 	<ul style="list-style-type: none"> ■ Kontaktieren Sie das EGO- Servicezentrum für eine Reparatur. ■ Entfernen Sie den Akku und säubern Sie die Öffnungen.
Der Laubbläser hört auf, mit Turbo-Geschwindigkeit zu laufen.	<ul style="list-style-type: none"> ■ Der Laubbläser hat viel Akkustrom verbraucht und schaltet in den Schutz-Modus. 	<ul style="list-style-type: none"> ■ Schalten Sie das Gerät mithilfe des Drehschalters aus, starten Sie den Laubbläser erneut, nachdem die Akku-LED erloschen ist. Entnehmen Sie den Akku und verbinden Sie die Rückseite des Akkus wieder, um den Laubbläser erneut zu starten.

GARANTIE

EGO GEWÄHRLEISTUNGSRICHTLINIE

Bitte besuchen Sie unsere website egopowerplus.com mit den kompletten EGO Garantiebedingungen.

LISEZ TOUTES LES INSTRUCTIONS!



LIRE LE MANUEL D'UTILISATION

REMARQUE : Ce manuel d'utilisation est également disponible dans un format alternatif, par exemple sur un site Web.

⚠ Risques résiduels ! Les personnes portant des appareils électroniques, par exemple des stimulateurs cardiaques, doivent consulter leur(s) médecin(s) avant d'utiliser ce produit. L'utilisation d'un équipement électrique près d'un stimulateur cardiaque peut provoquer des interférences ou la panne du stimulateur cardiaque.

⚠ AVERTISSEMENT : Pour garantir la sécurité et la fiabilité, toutes les réparations et tous les changements de pièce doivent être effectués par un réparateur qualifié.

SYMBOLES DE SÉCURITÉ

L'objectif des symboles de sécurité est d'attirer votre attention sur des dangers potentiels. Les symboles de sécurité et les explications les accompagnant doivent être lus avec attention et compris. Les symboles de mise en garde ne permettent pas par eux-mêmes d'éliminer les dangers. Les consignes et mises en garde ne se substituent pas à des mesures de prévention appropriées des accidents.

⚠ AVERTISSEMENT : Lisez et comprenez impérativement toutes les consignes de sécurité de ce manuel d'utilisation, y compris les symboles de mise en garde de sécurité tels que « **DANGER** », « **AVERTISSEMENT** » et « **ATTENTION** » avant d'utiliser cet outil. Ne pas respecter toutes les consignes listées ci-après peut provoquer un choc électrique, un incendie et/ou des blessures corporelles graves.

PRÉVENTION DES DOMMAGES ET MESSAGES INFORMATIFS

Ils fournissent à l'utilisateur des informations et/ou des consignes importantes dont le non-respect peut conduire à la détérioration de l'équipement ou d'autres biens. Chaque message est précédé par le mot « **REMARQUE** » comme dans l'exemple ci-dessous :

REMARQUE : La détérioration de l'équipement et/ou d'autres biens peut résulter du non-respect de ces consignes.



⚠ AVERTISSEMENT : L'utilisation d'un outil électrique peut provoquer la projection d'objets étrangers dans vos yeux, ce qui peut provoquer des lésions oculaires graves. Avant de mettre un outil électrique en marche, portez toujours un masque de sécurité ou des lunettes de sécurité avec boucliers latéraux, ou un masque facial intégral quand cela est nécessaire. Nous vous recommandons de porter un Masque de Sécurité à Vision Panoramique par-dessus des lunettes de vue ou des lunettes de sécurité standards avec boucliers latéraux.

FR

CONSIGNES DE SÉCURITÉ

Cette page décrit des symboles de sécurité pouvant être présents sur le produit. Lisez, comprenez et respectez toutes les instructions présentes sur l'outil avant d'essayer de l'assembler et de l'utiliser.

	Rester vigilant	Précautions concernant votre sécurité.
	Porter une protection oculaire	Toujours porter un masque de sécurité ou des lunettes de sécurité avec boucliers latéraux et un masque facial intégral lors de l'utilisation de ce produit.
	Porter une protection auditive	Toujours porter une protection auditive pendant l'utilisation de ce produit.
	Lire le manuel d'utilisation	Afin de réduire les risques de blessures, l'utilisateur doit lire le manuel d'utilisation.
	Maintenir les autres personnes éloignées	Maintenir toutes les autres personnes éloignées d'au moins 15 m.
V	Volt	Tension
A	Ampères	Courant
Hz	Hertz	Fréquence (cycles par seconde)
W	Watt	Puissance
min	Minutes	Durée

m³/h	Mètres cubes par heure	Volume d'air
km/h	Kilomètres par heure	Vitesse de l'air
~	Courant alternatif	Type de courant
— — —	Courant continu	Type ou caractéristique du courant
n ₀	Régime à vide	Vitesse de rotation sans charge
... /min	Par minute	Tours par minute

Lors de l'utilisation d'un appareil électrique, des précautions élémentaires doivent toujours être respectées, parmi lesquelles :

CONSIGNES DE SÉCURITÉ GÉNÉRALES POUR LES OUTILS ÉLECTRIQUES

⚠ AVERTISSEMENT : LISEZ TOUTES LES CONSIGNES DE SÉCURITÉ, LES INSTRUCTIONS, LES ILLUSTRATIONS ET LES SPÉCIFICATIONS FOURNIES AVEC CET OUTIL ÉLECTRIQUE. Le non-respect des consignes figurant ci-dessous peut provoquer un choc électrique, un incendie et/ou des blessures graves.

CONSERVEZ TOUS LES CONSIGNES DE SÉCURITÉ ET TOUTES LES INSTRUCTIONS POUR CONSULTATION ULTÉRIEURE.

Le terme « outil électrique » utilisé dans les consignes de sécurité désigne votre outil électrique fonctionnant sur le secteur (filaire) ou sur batterie (sans fil).

SÉCURITÉ DE L'AIRES DE TRAVAIL

- **Maintenez l'aire de travail propre et bien rangée.** Les aires de travail en désordre ou mal éclairées augmentent les risques d'accident.
- **N'utilisez pas les outils électriques dans une atmosphère explosive, par exemple en présence de liquides inflammables, d'essence ou de poussières inflammables.** Les outils électriques génèrent des étincelles pouvant enflammer poussières et vapeurs.
- **Veillez à ce que les enfants et les autres personnes restent éloignés quand vous utilisez un outil électrique.** Un moment d'inattention peut vous faire perdre le contrôle de l'outil.

SÉCURITÉ ÉLECTRIQUE

- **La fiche de l'outil électrique doit correspondre à la prise électrique. Ne modifiez jamais la fiche de quelque manière que ce soit. N'utilisez jamais d'adaptateur de prise avec les outils électriques pourvus d'une mise à la terre ou à la masse.** Les fiches non modifiées et les prises électriques appropriées réduisent le risque de choc électrique.
- **Évitez tout contact physique avec des surfaces mises à la terre ou mises à la masse, telles que tuyaux, radiateurs, fours et réfrigérateurs.** Il y a un risque accru de choc électrique si votre corps est relié à la terre ou à la masse, directement ou indirectement.
- **N'exposez pas les outils électriques à la pluie ou à un environnement mouillé.** Si de l'eau pénètre dans un outil électrique, cela accroît le risque de choc électrique.
- **Ne maltraitez pas le cordon d'alimentation. Ne l'utilisez jamais pour porter, tirer ou débrancher l'outil électrique. Veillez à ce qu'il n'entre jamais en contact avec de l'huile, des pièces mobiles, des arêtes tranchantes, et ne soit jamais exposé à de la chaleur.** Les cordons d'alimentation endommagés ou emmêlés augmentent le risque de choc électrique.
- **Quand vous utilisez un outil électrique en extérieur, utilisez une rallonge électrique adaptée à un usage en extérieur.** L'utilisation d'une rallonge conçue pour un usage en extérieur permet de réduire le risque de choc électrique.
- **S'il est impossible d'éviter d'utiliser un outil électrique dans un endroit humide, utilisez une alimentation protégée par un disjoncteur de fuite à la terre (DDFT).** L'utilisation d'un DDFT réduit le risque de choc électrique.

SÉCURITÉ DES PERSONNES

- **Restez vigilant, soyez attentif à ce que vous faites et faites preuve de bon sens lors de l'utilisation d'un outil électrique. N'utilisez pas un outil électrique quand vous êtes fatigué, sous l'emprise de l'alcool, de stupéfiants ou de médicaments.** Un moment d'inattention pendant l'utilisation d'un outil électrique peut provoquer des blessures corporelles graves.
- **Utilisez des équipements de protection individuelle. Portez toujours une protection oculaire.** L'utilisation d'équipements de protection appropriés aux conditions de travail, tels que masque antipoussières, chaussures de sécurité antidérapantes, casque et protections auditives, permet de réduire les risques de blessures corporelles.

- **Évitez les démarrages accidentels. Vérifiez que l'interrupteur marche/arrêt est dans la position arrêt avant de brancher l'outil dans une prise électrique et/ou une batterie, de le saisir ou de le transporter.** Transporter un outil électrique les doigts sur son interrupteur marche/arrêt ou le brancher dans une alimentation électrique alors que son interrupteur marche/arrêt est dans la position marche favorise les accidents.
- **Retirez les clés de réglage et de serrage avant de mettre l'outil en marche.** Une clé de réglage ou de serrage laissée sur une pièce rotative de l'outil électrique peut provoquer des blessures corporelles.
- **N'essayez pas d'atteindre des endroits difficiles à atteindre. Ayez toujours des appuis des pieds solides et conservez constamment un bon équilibre.** Cela vous garantit un meilleur contrôle de l'outil électrique en cas de situations inattendues.
- **Portez une tenue appropriée. Ne portez pas de vêtement ample ni de bijou. Maintenez vos cheveux, vêtements et gants éloignés des pièces mobiles.** Les vêtements amples, les bijoux et les cheveux longs peuvent se prendre dans les pièces mobiles.
- **Si un outil est conçu pour être utilisé avec des dispositifs d'extraction et de récupération des poussières, veillez à ce que ces dispositifs soient raccordés et correctement utilisés.** L'utilisation de dispositifs de récupération des poussières permet de réduire les dangers liés aux poussières.
- **Veillez à ne pas devenir trop sûr(e) de vous et continuez à respecter les principes de sécurité même si vous vous sentez familiarisé(e) à l'utilisation de l'outil.** La négligence peut provoquer des blessures graves en une fraction de seconde.

UTILISATION ET ENTRETIEN DES OUTILS ÉLECTRIQUES

- **Ne forcez pas l'outil électrique. Utilisez l'outil électrique adapté au travail à effectuer.** L'utilisation d'un outil approprié au travail à effectuer permet d'effectuer ce travail plus efficacement, avec une sécurité accrue et au rythme pour lequel l'outil a été conçu.
- **N'utilisez pas un outil électrique si son interrupteur marche/arrêt ne permet plus de l'allumer ou de l'éteindre.** Tout outil électrique qui ne peut pas être contrôlé par son interrupteur marche/arrêt est dangereux et doit être réparé.
- **Débranchez la fiche électrique de la prise secteur et/ou retirez la batterie de l'outil électrique avant de procéder à des réglages, de changer des accessoires ou de ranger l'outil électrique.** Cette mesure de sécurité préventive réduit le risque de démarrage accidentel de l'outil électrique.
- **Rangez les outils électriques non utilisés hors de portée des enfants. Ne laissez aucune personne non familiarisée avec l'outil électrique ou ce manuel d'utilisation l'utiliser.** Les outils électriques sont dangereux dans les mains de personnes inexpérimentées.
- **Entretenez les outils électriques. Inspectez-les pour vérifier qu'aucune pièce mobile n'est grippée ou mal alignée, qu'aucune pièce n'est cassée, et pour tout autre problème qui pourrait affecter leur fonctionnement. Si un outil électrique est endommagé, il doit être réparé avant d'être utilisé.** Beaucoup d'accidents sont dus à des outils électriques mal entretenus.
- **Veillez à ce que les accessoires de coupe restent affûtés et propres.** Des accessoires de coupes bien entretenus et bien affûtés risquent moins de se coincer et facilitent le contrôle de l'outil.
- **Utilisez l'outil électrique, ses accessoires, mâches/embouts et toutes les autres pièces conformément aux présentes instructions, en prenant en compte les conditions d'utilisation et le travail à effectuer.** Utiliser l'outil électrique à d'autres finalités que celles pour lesquelles il a été conçu peut engendrer des situations dangereuses.
- **Maintenez les poignées et surfaces de préhension propres, sèches et exemptes d'huile et de graisse.** Les poignées et surfaces de préhension glissantes ne permettent pas de tenir et de contrôler l'outil de manière sûre en cas de situations inattendues.

UTILISATION ET ENTRETIEN DES OUTILS ALIMENTÉS PAR BATTERIE

- **La batterie ne doit être rechargée qu'avec le chargeur spécifié par le fabricant.** Un chargeur adapté à un type de batterie peut présenter un risque d'incendie s'il est utilisé avec une batterie différente.
- **Utilisez les outils électriques exclusivement avec les batteries spécifiées.** L'utilisation de toute autre batterie peut créer un risque de blessures et d'incendie.
- **Quand la batterie n'est pas utilisée, elle doit être rangée loin de tout objet métallique, tel que trombone, pièce de monnaie, clef, clou, vis et tout autre petit objet métallique qui risquerait de mettre en contact ses bornes.** Court-circuiter les bornes de la batterie peut provoquer des brûlures et un incendie.

- Si la batterie est soumise à des conditions d'utilisation excessives, du liquide peut s'en échapper. Évitez tout contact avec ce liquide. En cas de contact accidentel, rincez à grande eau. En cas de contact avec les yeux, vous devez en outre consulter un médecin. Le liquide qui s'échappe de la batterie peut provoquer des irritations et des brûlures.
- N'utilisez pas une batterie ou un outil endommagé ou modifié. Les batteries modifiées ou endommagées peuvent avoir un comportement imprévisible provoquant un incendie, une explosion ou un risque de blessure.
- N'exposez pas la batterie ou l'outil à des flammes ou à une température excessive. L'exposition au feu ou à des températures supérieures à 130 °C peut provoquer une explosion.
- Respectez toutes les instructions de recharge et ne rechargez pas la batterie ou l'outil hors de la plage de température spécifiée dans les instructions. La recharge incorrecte ou à des températures hors de la plage spécifiée peut endommager la batterie et accroître le risque d'incendie.

SERVICE

- Faites réparer votre outil électrique par un réparateur qualifié qui ne doit utiliser que des pièces de rechange identiques. Cela garantit que l'outil électrique reste sûr.
- Ne réparez jamais les batteries endommagées. La réparation des batteries doit toujours être effectuée par le fabricant ou des réparateurs agréés.

LISEZ TOUTES LES INSTRUCTIONS AVANT D'UTILISER CE PRODUIT !

FORMATION

- N'autorisez jamais les enfants, les personnes dont les capacités physiques, sensorielles ou mentales sont réduites, les personnes manquant d'expérience et de connaissance, et les personnes non familiarisées avec ce manuel d'utilisation à utiliser l'outil.
- L'opérateur ou l'utilisateur est responsable des accidents ou dommages causés à des tiers ou à leurs biens.

PRÉPARATION

- L'outil électrique peut être utilisé sous la pluie et dans les environnements mouillés. Séchez l'outil électrique après avoir terminé le travail.

- Avant utilisation, inspectez les batteries pour vérifier qu'elles ne sont pas endommagées. N'utilisez pas l'outil si les batteries sont endommagées.

FONCTIONNEMENT

- L'outil électrique peut être utilisé sous la pluie et dans les environnements mouillés. Séchez l'outil électrique après avoir terminé le travail.
- Débranchez les batteries :
 1. À chaque fois que vous laissez l'outil sans surveillance.
 2. Avant d'éliminer un bourrage.
 3. Avant d'inspecter, de nettoyer ou de travailler sur l'outil.
 4. Si l'outil se met à vibrer anormalement.
- Ayez toujours des appuis des pieds sûrs sur les pentes.
- Marchez, ne courez jamais.
- Veillez à ce que toutes les ouïes de refroidissement restent toujours libres de tout débris.
- Il est recommandé d'utiliser l'outil uniquement à des horaires raisonnables – Ne l'utilisez pas tôt le matin ou tard le soir, car cela peut déranger vos voisins.
- Il est recommandé de légèrement humidifier les surfaces des environnements poussiéreux ou d'utiliser un accessoire de brumisation.

⚠ AVERTISSEMENT: Danger dû aux pièces rotatives !

- Utilisez tous les tubes d'extension de soufflage pour que le jet d'air soit projeté près du sol.
- N'utilisez pas l'outil près de fenêtres ouvertes, etc.

ENTRETIEN ET RANGEMENT

- Veillez à ce que tous les écrous, vis et boulons soient bien serrés pour garantir que l'outil est en bon état de marche.
- Changez les pièces usées ou endommagées.
- Utilisez exclusivement des pièces de rechange et des accessoires d'origine.
- Rangez l'appareil uniquement dans un endroit sec.

⚠ AVERTISSEMENT: Pour réduire les risques d'incendie, de choc électrique ou de blessures :

IMPORTANT

LIRE ATTENTIVEMENT AVANT UTILISATION.

CONSERVER POUR CONSULTATION ULTÉRIEURE.

- **Veillez à ce que le souffleur ne soit pas utilisé comme un jouet. Une supervision étroite est nécessaire quand l'outil est utilisé par ou près d'enfants.**
- **Si le souffleur ne fonctionne pas comme il devrait, s'il est tombé, s'il a été endommagé ou s'il est tombé dans de l'eau, apportez-le à un centre de réparation.**
- **N'insérez aucun objet dans aucune ouverture. N'utilisez pas le produit si l'une de ses ouvertures est bouchée. Maintenez toutes les ouvertures exemptes de poussières, peluches, cheveux/poils et de tout ce qui pourrait réduire le flux d'air.**
- **Faites particulièrement attention quand vous nettoyez des escaliers.**
- **Ne laissez pas le souffleur sans surveillance quand la fiche de la batterie est insérée. Retirez la batterie quand le souffleur n'est pas utilisé et avant de le réparer/de l'entretenir.**
- **Ne manipulez pas le chargeur, y compris sa fiche, ni les contacts du chargeur avec les mains mouillées.**
- **Ne rechargez pas la batterie à l'extérieur.**

AVERTISSEMENT:

- La batterie doit être retirée de la machine avant la mise au rebut.
- La batterie doit être mise au rebut d'une manière sûre.

- **N'ESSAYEZ PAS** d'enlever les bourrages de l'outil sans avoir d'abord retiré la batterie.
- **Veillez à ce que le souffleur et sa poignée restent propres, secs et exempts d'huile et de graisse.** Utilisez toujours un chiffon propre pour nettoyer l'outil. N'utilisez jamais de liquide de frein, d'essence, de produit à base de pétrole, ni de solvant puissant pour nettoyer votre souffleur. Respecter cette règle permet de réduire le risque de perte de contrôle et de détérioration du plastique du boîtier.
- **Les batteries peuvent exploser en présence d'une source d'embrasement, par exemple une flamme pilote.** Pour réduire le risque de blessure corporelle

grave, n'utilisez jamais aucun produit sans fil en présence d'une flamme nue. Une batterie qui explose peut projeter des débris et des substances chimiques. En cas d'exposition, rincez immédiatement à grande eau.

- **Ne faites jamais fonctionner l'outil sans l'équipement approprié attaché.** Veillez toujours à ce que le tube du souffleur soit assemblé.
- **N'utilisez jamais le souffleur près de feux ou de cendres chaudes.** L'utilisation près de feux ou de cendres peut provoquer la propagation des flammes et engendrer des blessures graves et/ou des dommages matériels.
- **N'utilisez jamais le souffleur pour répandre des produits chimiques, des engrais, ni aucune autre substance toxique.** Répandre ces substances peut provoquer des blessures graves chez l'opérateur et les autres personnes présentes.
- **Conservez le présent mode d'emploi.** Consultez-le fréquemment et servez-vous-en pour instruire les autres personnes devant utiliser cet outil. Si vous prêtez cet outil à un tiers, prêtez-lui également ce manuel d'utilisation pour éviter l'utilisation incorrecte du produit et des blessures potentielles.

CONSERVEZ CE MANUEL D'UTILISATION !

SPÉCIFICATIONS

Tension	56 V
Volume d'air maximale	1020 m³/h
La vitesse de l'air maximale	232 km/h
Force de soufflage maximale	19 N
Température d'utilisation recommandée	-15°C-40°C
Température de stockage recommandée	-20°C-70°C
Durée d'utilisation approximative (avec batterie 5,0 Ah 56 V EGO)	15 minutes (Turbo)
	22 minutes (Vitesse haute)
	120 minutes (Vitesse basse)
Poids du souffleur (avec le tube, sans la batterie)	5,7 kg
Niveau de puissance acoustique mesuré L _{WA}	94,6 dB(A) K=0,8 dB(A)

FR

Niveau de pression acoustique au niveau des oreilles de l'opérateur L_{PA}	82 dB(A) K=2,5 dB(A)
Niveau de puissance acoustique garanti L_{WA} (conformément à la norme 2000/14/CE)	95 dB(A)
Vibration a_h	0,522 m/s ² K=1,5 m/s ²

- La valeur totale des vibrations indiquée a été mesurée selon une procédure conforme à une méthode de test standardisée et peut servir pour comparer différents outils.
- La valeur totale des vibrations indiquée peut également servir pour effectuer une première évaluation de l'exposition.

REMARQUE : L'émission de vibrations pendant l'utilisation réelle de l'outil électrique est fonction de la manière dont il est utilisé et peut différer de la valeur indiquée. Pour se protéger, l'opérateur doit porter des gants et un casque antibruit dans les conditions actuelles d'utilisation.

CONTENU DE L'EMBALLAGE

NOM DE PIÈCE	QUANTITÉ
Souffleur	1
Tube de soufflage	3
Manuel d'utilisation	1

DESCRIPTION

DESCRIPTION DE VOTRE SOUFFLEUR (Image A & B)

- Poignée
- Bouton de déblocage de la batterie
- Loquet
- Contact électriques
- Mécanisme d'éjection
- Entrée d'air
- Tube avant (Tube plat galbé)
- Sortie d'air
- Tube avant (Tube cylindrique)
- Tube médian
- Poignée de contrôle
- Harnais Réglable
- Boucle de rangement du tube de souffleur
- Bouton Turbo

- Bouton vitesse/verrouillage
- Gâchette de la vitesse de l'air
- Écrou papillon
- Rainure d'accrochage du tube

⚠ AVERTISSEMENT : L'utilisation sécurisée de ce produit nécessite de comprendre les informations présentes sur l'outil et dans ce manuel d'utilisation, ainsi que de connaître le travail que vous voulez effectuer. Avant d'utiliser ce produit, familiarisez-vous avec toutes ses fonctions et toutes les consignes de sécurité.

ASSEMBLAGE

⚠ AVERTISSEMENT : Si une pièce est manquante ou endommagée, n'utilisez pas cet outil tant qu'elle n'a pas été remplacée. Utiliser cet outil avec des pièces endommagées ou manquantes peut provoquer des blessures corporelles graves.

⚠ AVERTISSEMENT : N'essayez jamais de modifier cet outil ni de créer des accessoires non recommandés pour l'usage avec ce souffleur. De tels modifications et changements constituent un usage impropre et peuvent engendrer des situations dangereuses pouvant provoquer des blessures corporelles graves.

⚠ AVERTISSEMENT : Pour éviter un démarrage accidentel pouvant provoquer des blessures corporelles graves, retirez toujours la batterie de l'outil avant d'assembler une pièce.

ASSEMBLER LES TUBES DU SOUFFLEUR

- Il y a trois tubes pour le souffleur : Deux tubes avant (un tube cylindrique et un tube plat galbé) et un tube médian (Image C).
- Assemblez d'abord le tube cylindrique avant sur le tube médian. Alignez l'une des rainures du tube cylindrique avec l'ergot du tube médian (Image D).
- Enfoncez le tube médian jusqu'à ce que l'ergot s'insère dans l'une des rainures. Tournez le tube médian dans le sens de la flèche jusqu'à ce que l'ergot coulisse dans sa position de blocage (Image E).

Images C et D Description des pièces, voir ci-dessous :

C-1	Tube cylindrique	D-1	Ergot
C-2	Tube plat galbé	D-2	Rainures avec différentes positions de verrouillage
C-3	Tube médian		

REMARQUE : Avant que le tube médian ne soit verrouillé pendant la rotation, vous sentirez une butée intégrée qui offrira une certaine résistance. Continuez à tourner le tube au-delà de la butée jusqu'à ce qu'il coulisse complètement dans la position de blocage.

- Vous pouvez raccourcir ou allonger le tube selon vos préférences en verrouillant le tube médian dans l'une des différentes positions de blocage (Image F).

Image F Description des pièces, voir ci-dessous :

F-1	Verrouillé dans la première position de blocage
F-2	Verrouillé dans la deuxième position de blocage

- Assemblez le tube assemblé sur le boîtier du souffleur de la même manière (Image G).

Respectez le même ordre pour assembler le tube plat galbé sur le souffleur.

- Pour démonter le tube assemblé du boîtier du souffleur ou pour séparer les deux parties du tube, tournez d'abord le tube dans le sens de déverrouillage pour désengager l'ergot, puis tirez le tube vers l'extérieur en ligne droite.

UTILISATION

⚠ AVERTISSEMENT : Veillez à ne pas devenir moins prudent au fur et à mesure que vous vous familiarisez avec cet outil. Gardez à l'esprit qu'une fraction de seconde d'inattention peut suffire pour provoquer des blessures graves.

⚠ AVERTISSEMENT : N'utilisez aucun accessoire ou pièce non recommandé par le fabricant de ce produit. L'utilisation d'accessoires ou de pièces non recommandés peut provoquer des blessures corporelles graves.

⚠ AVERTISSEMENT : Retirez toujours la batterie de l'outil avant d'assembler des pièces, d'effectuer une opération de réglage ou de nettoyage, et quand vous n'utilisez pas l'outil. Retirer la batterie permet de prévenir un démarrage accidentel pouvant provoquer des blessures corporelles graves.

Avant chaque utilisation, inspectez intégralement l'outil pour vérifier qu'aucune pièce n'est endommagée, manquante ou desserrée, par exemple les vis, écrous, boulons, capuchons, etc. Resserrez solidement toutes les fixations et fixez solidement tous les capuchons. N'utilisez pas cet outil tant que toutes les pièces manquantes ou endommagées n'ont pas été remplacées.

REMARQUE : En cas d'urgence, ouvrez directement la boucle de poitrine pour enlever le souffleur.

APPLICATION

Vous pouvez utiliser cet outil pour les usages listés ci-dessous :

- Nettoyer des surfaces dures, par exemple les voies d'accès et les allées.
- Maintenir les terrasses et les voies d'accès exemptes de feuilles et d'aiguilles de pin.

REMARQUE : L'outil ne doit être utilisé qu'à la finalité spécifiée pour lui. Tout autre usage est considéré impropre.

INSTALLER/RETIRER LA BATTERIE

RECHARGEZ LA BATTERIE AVANT LA PREMIÈRE UTILISATION.

Utilisez exclusivement les batteries et les chargeurs listés à la fig. A.

REMARQUE : Pour des performances optimales, nous recommandons l'usage de la batterie EGO 56 V BA2800(5,0 Ah) ou de toute batterie EGO 56 V de capacité supérieure.

■ Installation(Image H)

Aalignez les arêtes de la batterie avec les rainures d'assemblage et appuyez la batterie vers le bas jusqu'à entendre un déclic.

■ Retrait(Image I)

Appuyez sur le bouton de déblocage de la batterie et tirez la batterie hors de l'outil.

⚠ AVERTISSEMENT : Soyez toujours conscient de la position de vos pieds, des enfants et des animaux lorsque vous appuyez sur le bouton de déblocage de la batterie. Si la batterie tombe, cela peut provoquer des blessures graves. Ne retirez JAMAIS la batterie dans une position haute.

POSITIONNER LE SOUFFLEUR À DOS

⚠ AVERTISSEMENT : Soyez correctement vêtu pour réduire le risque de blessures pendant l'utilisation de cet outil. Ne portez pas de vêtement ample ni de bijou. Portez des protections oculaires et auditives. Portez des gants, des chaussures solides et des pantalons longs et épais. Ne portez pas de shorts ni de sandales et ne soyez pas pieds nus.

Régler le harnais

- Insérez vos bras entre les sangles du harnais dorsal pour porter le souffleur sur votre dos.
- Réglez temporairement les deux sangles d'épaule dans des positions confortables (Image J) en veillant à ce que vos coudes soient confortables.

3. Fermez la boucle de poitrine et réglez la longueur de la sangle si nécessaire (Image K).
4. Fermez la boucle de taille et réglez la longueur de la sangle en sorte que le harnais dorsal soit fermement soutenu par vos hanches (Images L et M).

REMARQUE : Le harnais dorsal ne doit pas être positionné trop haut sur votre dos, il doit être positionné plus près de vos hanches que de vos épaules.

5. Réglez les sangles d'épaule pour la sécurité et le confort. Veillez à ce que le harnais dorsal repose fermement sur votre dos avec son poids soutenu par la sangle de taille et sans mouvement excessif quand vous bougez (Image N).
6. Insérez la longueur en excès de la ceinture autour de la taille dans l'élastique de chaque côté (Image O).
7. Pour retirer l'outil de votre dos, appuyez simplement sur les boucles de poitrine et de taille pour les ouvrir et baisser l'outil (Image P).

Régler la poignée de contrôle

1. Desserrez l'écrou papillon pour régler la poignée vers l'avant ou l'arrière (Images Q et R), puis resserrez-le pour fixer la position de la poignée.
2. Vous pouvez aussi tourner la poignée pour plus de confort (Image S).
3. Pour agrandir la zone nettoyée, déplacez le tube vers la gauche ou la droite (Image T).

ALLUMER/ÉTEINDRE LE SOUFFLEUR (Image U)

Gâchette de la vitesse de l'air

- Appuyez simplement sur la gâchette de la vitesse de l'air pour allumer le souffleur.
- La vitesse de l'air du souffleur est contrôlée par la gâchette à variateur de vitesse. Plus vous appuyez sur la gâchette plus la vitesse de l'air augmente, moins vous appuyez sur la gâchette plus la vitesse de l'air est lente. Réglez la vitesse pour l'adapter au travail à effectuer.
- Relâchez la gâchette de la vitesse de l'air pour éteindre le souffleur.

Bouton vitesse/verrouillage uniquement

Le souffleur peut être allumé et verrouillé dans n'importe quelle vitesse avec le bouton vitesse/verrouillage.

- Tournez le bouton vitesse/verrouillage dans le sens horaire pour allumer le souffleur. La vitesse de l'air augmente quand le bouton est tourné dans le sens horaire.

- Pour baisser la vitesse de l'air, tournez le bouton vitesse/verrouillage dans le sens antihoraire. Tournez le bouton vitesse/verrouillage dans le sens antihoraire jusqu'à la position d'arrêt pour éteindre le souffleur.
- Tournez le bouton vitesse/verrouillage dans le sens antihoraire jusqu'à la position d'arrêt pour éteindre le souffleur.

Remarque: Si le bouton vitesse/verrouillage n'est pas remis dans la position d'arrêt avant d'essayer d'allumer le souffleur, le souffleur ne pourra pas être allumé via le bouton vitesse/verrouillage même avec une batterie chargée et installée. C'est une fonction de protection destinée à prévenir un démarrage accidentel. Appuyer sur la gâchette de la vitesse de l'air permet de désactiver la protection.

Appuyez sur le bouton Turbo pendant l'utilisation pour accroître temporairement la vitesse de l'air au maximum. Le souffleur retourne à la vitesse précédente quand vous relâchez le bouton Turbo.

Image U Description des pièces, voir ci-dessous :

U-1	Bouton vitesse/ verrouillage	U-3	Gâchette de la vitesse de l'air
U-2	Bouton Turbo		

CONSEILS D'UTILISATION DU SOUFFLEUR

- Pour éviter d'éparpiller les débris, soufflez autour des bords externes du tas de débris. Ne soufflez jamais directement au centre d'un tas.
- Pour réduire le niveau sonore, limitez le nombre d'outils utilisés au même moment.
- Avant de souffler, décoinchez les débris avec un râteau et un balai. Dans les environnements poussiéreux, humidifiez légèrement les surfaces si de l'eau si disponible.
- Faites attention aux enfants, animaux de compagnie, fenêtres ouvertes et voitures récemment nettoyées. Soufflez les débris en les éloignant d'une manière non dangereuse.
- Après avoir utilisé un souffleur ou un autre outil, nettoyez-le ! Mettez les débris au rebut d'une manière appropriée.
- Il est recommandé de ne pas utiliser le souffleur à un régime élevé pendant longtemps, car les bruits et vibrations forts peuvent être préjudiciables à votre santé.

ENTRETIEN

⚠ AVERTISSEMENT : L'outil ne doit être réparé qu'avec des pièces de rechange identique. L'utilisation de toute autre pièce peut créer un danger ou détériorer le produit. Pour garantir la sécurité et la fiabilité, toutes les réparations doivent être effectuées par un réparateur qualifié.

⚠ AVERTISSEMENT : Afin de vous prémunir contre des blessures corporelles graves, retirez toujours la batterie de l'outil avant de le nettoyer ou de l'entretenir.

ENTRETIEN GÉNÉRAL

N'utilisez pas de solvant pour nettoyer les pièces en plastique. La plupart des plastiques peuvent être détériorés par de nombreux solvants différents vendus dans le commerce. Utilisez des chiffons propres pour enlever les saletés, les poussières, l'huile, la graisse, etc.

⚠ AVERTISSEMENT : Veillez à ce que les pièces en plastique de l'outil n'entrent jamais en contact avec du liquide de frein, de l'essence, des produits à base de pétrole, du dégrissant, etc. Les produits chimiques peuvent endommager, fragiliser ou détruire les pièces en plastique, ce qui peut provoquer des blessures corporelles graves.

RANGEMENT

- Retirez la batterie du souffleur.
- Enlevez toutes les matières étrangères des entrées d'air du souffleur.
- Alignez la boucle de rangement du tube de souffleur avec la rainure d'accrochage du tube et accrochez le tube de souffleur au boîtier du logement de la batterie (Images V et W).
- Rangez l'outil en intérieur dans un endroit inaccessible aux enfants. Veillez à ce qu'il reste éloigné des produits corrosifs, par exemple des produits chimiques de jardinage et des sels de déverglacage.

Image V Description des pièces, voir ci-dessous :

V-1	Boucle de rangement du tube de souffleur
V-2	Rainure d'accrochage du tube

Protection de l'environnement



Ne jetez pas les équipements électriques, les chargeurs de batterie, les batteries rechargeables et les piles avec les ordures ménagères !

Conformément à la directive européenne 2012/19/UE, les équipements électriques et électroniques qui ne sont plus utilisables, et conformément à la directive européenne 2006/66/CE, les batteries rechargeables et les accumulateurs usagés ou défectueux doivent être collectés séparément et mis au rebut d'une manière respectueuse de l'environnement.

Si les appareils électriques sont jetés dans des décharges ou des dépôts d'ordures, des substances dangereuses peuvent s'infiltrer jusque dans la nappe phréatique et entrer dans la chaîne alimentaire, avec un effet néfaste sur votre santé et votre bien-être.

FR

DÉPANNAGE

FR

PROBLÈME	CAUSE	SOLUTION
Le souffleur ne fonctionne pas.	<ul style="list-style-type: none"> ■ La batterie n'est pas insérée dans le souffleur. ■ Il n'y a pas de contact électrique entre le souffleur et la batterie. ■ La batterie est déchargée. ■ La batterie ou le souffleur est trop chaud. ■ Le bouton vitesse/verrouillage n'a pas été repositionné dans la position d'arrêt avant d'essayer d'allumer le souffleur. 	<ul style="list-style-type: none"> ■ Insérez la batterie dans le souffleur. ■ Retirez la batterie, inspectez les contacts, puis réinsérez la batterie. ■ Rechargez la batterie. ■ Laissez la batterie et le souffleur refroidir jusqu'à ce que leur température devienne inférieure à 67 °C. ■ Appuyez d'abord sur la gâchette de la vitesse de l'air ou tournez d'abord le bouton vitesse/verrouillage dans la position d'arrêt pour désactiver la protection et allumer le souffleur.
La vitesse de l'air baisse de manière significative.	<ul style="list-style-type: none"> ■ La turbine du moteur est excessivement usée. ■ L'entrée d'air est bouchée par des débris. 	<ul style="list-style-type: none"> ■ Contactez un centre de réparation EGO pour faire réparer l'outil. ■ Retirez la batterie de l'outil et enlevez les débris.
Le souffleur s'arrête de fonctionner à la vitesse turbo.	<ul style="list-style-type: none"> ■ Le souffleur a subi une surtension de la batterie et est entré dans le mode d'auto-protection. 	<ul style="list-style-type: none"> ■ Positionnez l'interrupteur marche/arrêt dans la position arrêt, puis rallumez le souffleur après que la LED de la batterie se soit éteinte. Retirez la batterie et réinsérez-la pour redémarrer le souffleur.

GARANTIE

POLITIQUE DE GARANTIE EGO

Rendez-vous sur le site Internet egopowerplus.com pour consulter les termes et conditions complets de la politique de garantie EGO.

¡LEA TODAS LAS INSTRUCCIONES!



LEER EL MANUAL DEL USUARIO

AVISO: Estas instrucciones están disponibles también en un formato alternativo, por ejemplo, en una página web.

⚠ ¡Riesgo residual! Aquellas personas con implantes electrónicos, tales como marcapasos, deberán consultar a su médico antes de utilizar este producto. La utilización de equipos eléctricos a proximidad de un marcapasos podría causar en este interferencias o averías.

⚠ ADVERTENCIA: Para garantizar la seguridad y fiabilidad de la herramienta, confíe cualquier reparación y sustitución de piezas que sea necesaria a personal técnico cualificado.

SÍMBOLOS RELACIONADOS CON LA SEGURIDAD

El propósito de los símbolos de seguridad es el de atraer su atención hacia los posibles peligros que conlleva la utilización del producto. Los símbolos de seguridad y las explicaciones que los acompañan requieren su máxima atención y comprensión. Por sí solos, los símbolos de advertencia no eliminan los posibles peligros que pudieran existir. Las instrucciones y advertencias que aquí se incluyen no son sustitutas en modo alguno de las medidas de prevención adecuadas que deben tomarse para evitar posibles accidentes.

⚠ ADVERTENCIA: Antes de utilizar esta herramienta, asegúrese de haber leído y entendido perfectamente todas las instrucciones incluidas en este Manual del usuario, incluidos todos los símbolos de aviso sobre seguridad, tales como “PELIGRO”, “ADVERTENCIA” y “PRECAUCIÓN”. De no observarse todas las instrucciones proporcionadas a continuación podría existir un riesgo de incendio, electrocución, así como de lesiones físicas graves.

MENSAJES INFORMATIVOS Y DE PREVENCIÓN DE DAÑOS

Proporcionan al usuario información y/o instrucciones importantes que, de ignorarse, podrían dañar la herramienta o provocar daños materiales. Cada mensaje va precedido por la palabra “AVISO”; según se muestra en el ejemplo siguiente:

AVISO: De no observarse estas instrucciones podrán producirse daños materiales o en la herramienta.



⚠ ADVERTENCIA: Es posible que, cuando se utilizan herramientas eléctricas, salgan despedidos objetos que podrían causar lesiones oculares severas si no se utiliza equipo de protección personal adecuado. Antes de empezar a usar herramientas eléctricas, póngase siempre gafas de seguridad, gafas con cristales anti-impacto que cuenten con pantallas de protección lateral, o bien una máscara facial que proteja completamente la cara. Recomendamos la utilización de máscaras de seguridad de amplia visión que pueden utilizarse encima de gafas graduadas, o bien gafas normales de seguridad equipadas con pantallas laterales.

ES

INSTRUCCIONES RELACIONADAS CON LA SEGURIDAD

Esta página muestra y describe los símbolos de seguridad que puede haber en este producto. Asegúrese de leer, entender perfectamente y observar todas las instrucciones estampadas o proporcionadas con el producto antes de proceder a su montaje y utilización.

	Aviso de seguridad	Se trata de precauciones relacionadas con su seguridad.
	Utilizar protección ocular	Utilice siempre gafas de seguridad, gafas con cristales anti-impacto que cuenten con pantallas de protección lateral, o bien una máscara facial que proteja completamente la cara cuando se sirva de este producto.
	Utilizar protección auditiva	Utilice siempre protección auditiva cuando se sirva de este producto.
	Leer el Manual del usuario	Para reducir en lo posible el riesgo de lesiones, el usuario debe leer el manual de instrucciones suministrado con el producto.
	Mantener a terceros apartados de la zona donde se esté utilizando la herramienta	Mantenga a terceros a una distancia de seguridad mínima de 15 m de la zona donde se esté utilizando la herramienta.

V	Voltios	Tensión
A	Amperios	Corriente
Hz	Hercios	Frecuencia (ciclos por segundo)
W	Vatios	Potencia eléctrica
min	Minutos	Tiempo
m³/h	Metros cúbicos/hora	Caudal de aire
km/h	Kilómetros/hora	Velocidad del aire soplado
	Corriente alterna	Tipo de corriente
	Corriente continua	Tipo o característica de la corriente
n ₀	Velocidad en vacío	Velocidad de giro, sin carga
.../min	Por minuto	Revoluciones por minuto

Cuando se utilicen herramientas eléctricas, deberán observarse siempre ciertas precauciones básicas, incluidos los puntos indicados a continuación:

MEDIDAS DE SEGURIDAD GENERALES DE LA HERRAMIENTA ELÉCTRICA

⚠ ADVERTENCIA: LEA TODAS LAS ADVERTENCIAS, INSTRUCCIONES, ILUSTRACIONES Y ESPECIFICACIONES INCLUIDAS CON ESTA HERRAMIENTA ELÉCTRICA. Si no se cumplen todas las instrucciones que se enumeran a continuación, pueden producirse descargas eléctricas, incendios o lesiones graves.

CONSERVE TODAS LAS INSTRUCCIONES Y ADVERTENCIAS PARA FUTURAS CONSULTAS.

El término “herramientas eléctricas” que aparece en las advertencias se refiere tanto a aquellas herramientas que funcionan conectadas a la red eléctrica (mediante cable) como a aquellas otras que funcionan con acumuladores (inalámbricas).

SEGURIDAD EN LA ZONA DE TRABAJO

- **Mantenga la zona de trabajo limpia y bien iluminada.** Aquellas áreas desordenadas o insuficientemente iluminadas son más propensas a accidentes.
- **No utilice herramientas eléctricas en entornos explosivos, por ejemplo, en presencia de gasolina, o bien de líquidos, gases o polvo inflamables.** Las herramientas eléctricas generan chispas que podrían actuar como detonante de vapores y partículas de polvo inflamables.

- **Mantenga a niños y demás personas a una distancia prudente mientras utiliza herramientas eléctricas.** Cualquier distracción podría hacerle perder el control de la herramienta.

SEGURIDAD ELÉCTRICA

- **Los enchufes de las herramientas eléctricas deberán coincidir con el tipo de toma de corriente donde vayan a conectarse. Nunca modifique los enchufes en modo alguno. Nunca utilice enchufes adaptadores o ladrones de corriente con herramientas eléctricas equipadas con conexión a tierra.** Unos enchufes sin modificar y que coincidan perfectamente con sus tomas de corriente reducirán enormemente los riesgos de electrocución.
- **Evite cualquier contacto corporal con superficies conectadas a tierra tales como tuberías, radiadores, hornillos eléctricos y frigoríficos.** Existirá un mayor riesgo de electrocución si su cuerpo actúa como conductor a tierra con dichos elementos y dispositivos.
- **No exponga las herramientas eléctricas a la acción de la lluvia ni a entornos húmedos.** La penetración de agua en una herramienta eléctrica aumentará el riesgo de electrocución.
- **No maltrate el cable de alimentación eléctrica. Nunca utilice el cable para transportar, arrastrar, o desenchufar la herramienta eléctrica. Mantenga el cable apartado de fuentes de calor, aceite, cantos afilados o elementos móviles.** Unos cables dañados o enredados aumentarán los riesgos de electrocución.
- **Cuando utilice una herramienta eléctrica al aire libre, asegúrese de utilizar alargaderas de corriente especificadas para uso en exteriores.** La utilización de un cable adecuado para uso en exteriores reducirá el riesgo de electrocución.
- **De no poderse evitar la utilización de una herramienta eléctrica en un entorno húmedo, asegúrese de conectarla a una instalación eléctrica equipada con un interruptor de protección diferencial.** La utilización de un interruptor de protección diferencial reducirá el riesgo de electrocución.

SEGURIDAD PERSONAL

- **Manténgase alerta, concéntrese en lo que esté haciendo y utilice siempre su sentido común cuando se sirva de herramientas eléctricas. No utilice herramientas eléctricas si está cansado o se encuentra bajo los efectos de estupefacientes, alcohol o fármacos.** Cualquier momento de descuido durante la utilización de herramientas eléctricas podría dar lugar a lesiones físicas graves.

- **Utilice equipo de protección personal. Utilice siempre protección ocular.** La utilización de equipos de protección tales como mascarillas antipolvo, calzado de seguridad antideslizante, cascos de seguridad o protección auditiva en las circunstancias que así lo requieran reducirá el riesgo de lesiones físicas.
- **Procure evitar la activación fortuita de la herramienta. Asegúrese de que el interruptor de encendido se encuentra en la posición de apagado antes de enchufar la herramienta a la red eléctrica y/o de acoplar el acumulador, así como al recoger o transportar la herramienta.** El hecho de transportar herramientas eléctricas con el dedo apoyado en el gatillo o interruptor de activación, o bien de enchufarlas a una toma de corriente o acoplar su acumulador mientras su interruptor está en la posición de encendido es propicio a causar accidentes.
- **Retire cualquier llave o útil de ajuste antes de poner en marcha la herramienta.** Cualquier llave o útil sujeto a un elemento rotativo de la herramienta eléctrica podría ocasionar lesiones físicas.
- **No se estire demasiado para alcanzar lugares de difícil acceso. Mantenga en todo momento un buen equilibrio y los pies firmemente apoyados en el suelo.** De esta manera, tendrá un mejor control de la herramienta eléctrica en caso de producirse alguna situación inesperada.
- **Utilice ropa adecuada. No lleve puesta ropa holgada ni joyas. Mantenga cabellos, ropa y guantes a una distancia prudente de los elementos móviles de la herramienta.** La ropa holgada, así como las joyas o el pelo largo podrían engancharse en las partes móviles de la herramienta.
- **De suministrarse dispositivos de conexión a extractores y colectores de polvo, asegúrese de conectarlos y utilizarlos de la manera adecuada.** La utilización de dispositivos colectores de polvo podrá reducir notablemente los peligros ocasionados por el polvo.
- **El hecho de haberse familiarizado con la herramienta por el uso frecuente no debe hacer que se descuide e ignore los principios de seguridad.** Una distracción puede provocar lesiones graves en una fracción de segundo.

UTILIZACIÓN Y CUIDADO DE LAS HERRAMIENTAS ELÉCTRICAS

- **No fuerce las herramientas eléctricas. Utilice la herramienta eléctrica apropiada para el trabajo que vaya a realizar.** La utilización de la herramienta correcta a la velocidad de funcionamiento para la que ha sido diseñada le ayudará a efectuar el trabajo de manera más fácil y segura.
- **No utilice ninguna herramienta eléctrica cuyo interruptor de encendido/apagado no funcione como es debido.** Cualquier herramienta que no pueda controlarse mediante su interruptor, supondrá un peligro y deberá repararse antes de poder utilizarse.
- **Asegúrese siempre de retirar el enchufe de la toma de corriente y/o el acumulador de las herramientas eléctricas antes de ajustarlas, cambiar sus accesorios o guardarlas.** Estas medidas preventivas de seguridad reducirán enormemente el riesgo de que la herramienta pueda activarse de manera fortuita.
- **Almacene las herramientas eléctricas apagadas fuera del alcance de niños y no permita en ningún momento que aquellas personas que no estén lo suficientemente familiarizadas con estas instrucciones o este tipo de herramientas las utilicen.** Las herramientas eléctricas son extremadamente peligrosas en manos de aquellas personas que no cuentan con la debida formación o experiencia para su uso.
- **Lleve a cabo el mantenimiento que sea necesario en sus herramientas eléctricas. Examine las herramientas eléctricas por si alguno de sus elementos móviles estuviera desalineado o doblado, y verifique también que no haya piezas rotas ni se observe ninguna otra condición que pudiera comprometer su funcionamiento correcto. De observarse cualquier tipo de daño, asegúrese de llevar a reparar la herramienta eléctrica antes de utilizarla.** Numerosos accidentes se producen como consecuencia de un mantenimiento deficiente de las herramientas eléctricas.
- **Mantenga las herramientas de corte limpias y afiladas.** El mantenimiento correcto de las herramientas de corte, asegurándose de que sus filos estén bien afilados, las hace menos propensas a atascarse y permite controlarlas con más facilidad.
- **Utilice la herramienta eléctrica, así como sus accesorios, brocas, puntas de destornillador, etc., conforme a lo indicado en estas instrucciones y teniendo siempre en cuenta las condiciones de trabajo, así como la tarea a efectuar.** La utilización de herramientas eléctricas para propósitos distintos a aquellos para los que han sido diseñadas podría suponer un peligro.

ES

- **Mantenga las asas y las superficies de agarre secas, limpias y libres de aceite y grasa.** Si las asas y las superficies de agarre están resbaladizas, no se puede manejar la herramienta de forma segura ni mantener el control en las situaciones inesperadas.

ES

UTILIZACIÓN Y CUIDADO DEL ACUMULADOR DE LA HERRAMIENTA

- **Recargue la herramienta utilizando únicamente el cargador especificado por el fabricante.** Un cargador adecuado para cierto tipo de acumulador podrá suponer un riesgo de incendio si se utiliza con un acumulador distinto.
- **Utilice únicamente las herramientas eléctricas con acumuladores específicamente diseñados para estas.** La utilización de acumuladores distintos podría suponer un riesgo de lesiones físicas e incendio.
- **Cuando no se esté utilizando el acumulador, manténgalo apartado de objetos metálicos tales como clips para papeles, monedas, llaves, clavos, tornillos, o de cualquier otro objeto metálico pequeño que pudiera provocar un cortocircuito en sus terminales de corriente.** De cortocircuitarse los terminales del acumulador, podrían producirse quemaduras o incendios.
- **En condiciones de uso intensivo, es posible que se produzca una fuga de ácido de los acumuladores. Evite cualquier contacto con dicho electrólito. De producirse cualquier contacto accidental, enjuague la zona corporal afectada con abundante agua. Si el electrólito llegara a penetrar en los ojos, deberá solicitarse atención médica urgente.** El líquido emanado del acumulador podría causar irritación o quemaduras.
- **No utilice una batería o una herramienta que haya sido modificada o que esté dañada.** Las baterías dañadas o modificadas pueden tener un comportamiento impredecible y provocar un incendio, explosión o riesgo de lesiones.
- **No exponga la batería ni la herramienta al fuego ni a una temperatura excesiva.** La exposición al fuego o a una temperatura superior a 130 °C podría provocar una explosión.
- **Siga todas las instrucciones de carga y no cargue la batería ni la herramienta fuera del rango de temperatura especificado en las instrucciones.** Una carga incorrecta o a temperaturas fuera del rango especificado puede dañar la batería y aumentar el riesgo de incendio.

SERVICIO TÉCNICO

- **Las reparaciones de las herramientas eléctricas debe realizarlas un técnico cualificado, utilizando solo piezas de recambio idénticas.** De este modo, podrá garantizarse la seguridad de uso de la herramienta eléctrica.
- **No repare nunca baterías que estén dañadas.** Las baterías solo debe repararlas el fabricante o un centro de servicio técnico autorizado.

¡LEA TODAS LAS INSTRUCCIONES ANTES DE UTILIZAR ESTE PRODUCTO!

FORMACIÓN

- **No permita nunca que utilicen la máquina niños o personas con discapacidades físicas, sensoriales o mentales, o que no cuenten con la experiencia o los conocimientos necesarios, ni quienes no estén familiarizados con estas instrucciones.**
- **El operario o usuario es responsable de cualquier accidente o peligro que se produzca para otras personas o bienes materiales.**

PREPARACIÓN

- **La herramienta eléctrica puede usarse cuando llueve o en condiciones de humedad. Seque la herramienta eléctrica cuando termine el trabajo.**
- **Antes de usar la herramienta, compruebe que las baterías o acumuladores no estén dañados.** No utilice la herramienta si la batería está dañada.

FUNCIONAMIENTO

- **La herramienta eléctrica puede usarse cuando llueve o en condiciones de humedad. Seque la herramienta eléctrica cuando termine el trabajo.**
- **Desconecte las baterías o acumuladores:**
 1. siempre que vaya a dejar la herramienta;
 2. antes de eliminar obstrucciones;
 3. antes de comprobar, limpiar o realizar trabajos en la herramienta;
 4. en caso de que se produzcan vibraciones anormales en la herramienta.
- **Asegúrese siempre de tener los pies firmemente apoyados sobre el suelo cuando utilice la herramienta en pendientes.**
- **Desplácese caminando, sin correr nunca.**

- Mantenga todas las entradas de ventilación de la herramienta libres de obstrucciones.
- Se recomienda utilizar la herramienta solo a unas horas razonables para no molestar a otras personas. No la utilice por la mañana muy temprano ni por la noche muy tarde.
- En entornos polvorientos, recomendamos humedecer ligeramente las superficies o utilizar un accesorio rociador.

⚠ ADVERTENCIA: ¡Existe peligro debido a la presencia de elementos rotativos!

- Utilice el prolongador del tubo de soplado de manera que el flujo de aire esté lo más cerca del suelo.
- No utilice la herramienta cerca de ventanas abiertas, etc.

MANTENIMIENTO Y ALMACENAMIENTO

- Mantenga todas las tuercas, pernos y tornillos bien apretados para garantizar que la herramienta funcione de manera segura.
- Sustituya las piezas desgastadas o dañadas.
- Utilice únicamente accesorios y recambios originales.
- Guarde la herramienta solo en un lugar seco.

⚠ ADVERTENCIA: Para reducir el riesgo de incendio, descarga eléctrica o lesiones:

IMPORTANTE

LEA ATENTAMENTE LAS INSTRUCCIONES ANTES DE UTILIZAR LA HERRAMIENTA.

GUÁRDENLAS PARA CONSULTARLAS EN EL FUTURO.

- No permita que el soplador se utilice a modo de juguete. Extreme las precauciones cuando los niños usen la herramienta o si se utiliza cerca de ellos.
- Si el soplador no funciona correctamente, si se ha caído, se ha dañado, o ha caído al agua, llévelo a un centro de servicio técnico.
- No introduzca objetos a través de los orificios de la herramienta. No utilice la herramienta si sus orificios están obstruidos. Manténgalos libres de polvo, pelusas, cabellos o de cualquier otro material que pudiera limitar el flujo de aire.

- Extreme las precauciones cuando utilice la herramienta en escaleras.
- No deje el soplador sin vigilancia con el enchufe de la batería conectado. Saque la batería del soplador cuando no lo utilice y antes de hacer cualquier reparación.
- No manipule el cargador, incluido el enchufe y los terminales eléctricos, con las manos mojadas.
- No cargue la batería al aire libre.

⚠ ADVERTENCIA:

- Quite la batería de la herramienta antes de eliminarla.
- La batería debe eliminarse de manera segura.

- NO intente eliminar obstrucciones de la herramienta sin haber quitado antes la batería.
- Mantenga el soplador y el asa secos, limpios y libres de aceite y grasa. Utilice siempre un paño limpio para limpiar la herramienta. No utilice nunca disolventes, líquido de frenos, gasolina ni ningún otro producto derivado del petróleo para limpiar el soplador. El cumplimiento de estas pautas reducirá el riesgo de perder el control de la herramienta y deteriorar su carcasa plástica.
- Las baterías pueden explotar en presencia de una fuente de ignición, como una llama piloto. Para reducir el riesgo de lesiones, no use nunca una herramienta inalámbrica en presencia de llamas abiertas. Si una batería explota, podrían salir despedidos violentamente fragmentos y productos químicos. En caso de exposición a los mismos, enjuague inmediatamente con agua.
- No utilice nunca la herramienta sin los accesorios adecuados correctamente instalados. Asegúrese siempre de que el tubo de soplado esté instalado.
- Nunca utilice el soplador cerca de llamas o cenizas calientes. El uso de la herramienta cerca de llamas o cenizas podría propagar el fuego y provocar lesiones graves y/o daños materiales.
- Nunca use el soplador para dispersar productos químicos, fertilizantes o cualquier otra sustancia tóxica. La dispersión de dichas sustancias podría provocar lesiones graves al usuario o a otras personas.
- Conserve estas instrucciones. Consúltelas con frecuencia y utilícelas para instruir a otras personas que vayan a usar esta herramienta. En caso de prestar esta herramienta a terceros, proporciónelas también estas instrucciones para evitar el uso incorrecto y posibles riesgos de lesiones.

¡CONSERVE ESTAS INSTRUCCIONES!

ESPECIFICACIONES

Tensión	56 V
Máxima Caudal de aire	1020 m ³ /h
Máxima velocidad de soplado de aire	232 km/h
Fuerza máxima del soplador	19N
Temperatura de funcionamiento recomendada	-15°C-40°C
Temperatura de almacenamiento recomendada	-20°C-70°C
Tiempo de marcha aproximado (con batería EGO de 56 V y 5,0 Ah)	15 min (Turbo)
	22 min (Velocidad alta)
	120 min (Velocidad baja)
Peso del soplador (sin acumulador, pero con tubo de soplado)	5,7 kg
Nivel de potencia acústica ponderado L _{WA}	94,6 dB(A) K=0,8 dB(A)
Nivel de presión acústica medido a la altura del oído del usuario L _{PA}	82 dB(A) K=2,5 dB(A)
Nivel de potencia acústica garantizado L _{WA} (medido según 2000/14/CE)	95 dB(A)
Nivel de vibraciones a _n	0,522 m/s ² K=1,5 m/s ²

- El nivel total de vibraciones especificado ha sido medido conforme al método de prueba estándar empleado en la industria y puede utilizarse para efectuar comparaciones entre herramientas.
- Asimismo, el nivel total de vibraciones declarado podrá utilizarse para efectuar una evaluación preliminar de la exposición del usuario a los niveles de vibración generados por la herramienta.

AVISO: Las vibraciones generadas durante el uso real de la herramienta eléctrica podrán diferir del valor declarado en función de la manera en que se utilice. A modo de protección, el usuario deberá utilizar guantes y protectores auditivos en condiciones reales de uso.

LISTA DE EMBALAJE

DENOMINACIÓN DE PIEZA	CANTIDAD
Soplador	1
Tubo de soplado	3
Manual del usuario	1

DESCRIPCIÓN

FAMILIARÍCESE CON SU SOPLADOR (Fig. A & B)

1. Empuñadura
2. Botón de liberación del acumulador
3. Seguro
4. Contactos eléctricos
5. Mecanismo de expulsión
6. Entrada de aire
7. Tubo delantero (Tubo plano curvado)
8. Salida de aire
9. Tubo delantero (Tubo cilíndrico)
10. Tubo central
11. Mango de control
12. Arnés de soporte ajustable
13. Saliente para el almacenamiento del tubo del soplador
14. Botón de turbo
15. Selector de velocidad/bloqueo
16. Gatillo de velocidad del aire
17. Palometa
18. Ranura para colgar el tubo

⚠ ADVERTENCIA: Para una utilización segura de este producto, se requiere entender perfectamente la información proporcionada en la propia herramienta, así como en este manual de instrucciones, además de poseer buenos conocimientos acerca de la tarea a realizar. Antes de utilizar este producto, familiarícese con todas sus características de funcionamiento y pautas de seguridad a observar.

MONTAJE

⚠ ADVERTENCIA: Si alguna pieza falta o está rota, no utilice el producto hasta haber sustituido las piezas rotas o instalado las que faltan. Podrían producirse lesiones físicas graves en caso de utilizar el producto si alguna de sus piezas falta o está dañada.

⚠ ADVERTENCIA: No intente modificar esta herramienta en modo alguno ni fabricar accesorios no recomendados para su uso en este soplador. Cualquier alteración o modificación se considerará uso indebido y podría provocar una situación peligrosa con riesgo de sufrir lesiones graves.

⚠ ADVERTENCIA: Para evitar cualquier puesta en marcha accidental que pudiera causar lesiones físicas graves, asegúrese siempre de retirar el acumulador de la herramienta antes de proceder al montaje de cualquier pieza.

MONTAJE DE LOS TUBOS DE SOPLADO

- Hay tres tubos para el soplador: dos tubos delanteros (un tubo cilíndrico y un tubo plano curvado) y un tubo central (fig. C).
- Conecte primero el tubo cilíndrico al tubo central. Alinee cualquiera de las ranuras del tubo cilíndrico con el botón del tubo central (fig. D).
- Empuje hacia delante el tubo central, hasta que el saliente enganche en cualquiera de las ranuras. A continuación, gire el tubo central en la dirección de la flecha, hasta que el saliente se deslice a la posición de bloqueo (Fig. E).

Fig. C y D, ver abajo la descripción de las piezas:

C-1	Tubo cilíndrico	D-1	Saliente
C-2	Tubo plano curvado	D-2	Ranuras para las distintas posiciones de bloqueo
C-3	Tubo central		

AVISO: Antes de que el tubo central se bloquee en su lugar al girarlo, notará un tope incorporado que generará cierta resistencia. Continúe girando el tubo más allá del tope, hasta que se deslice completamente a la posición de bloqueo.

- Puede acortar o alargar la longitud del tubo según prefiera, bloqueando el tubo central en las diferentes posiciones de bloqueo (Fig. F).

Fig. F, ver abajo la descripción de las piezas:

F-1	Bloqueado en la primera posición
F-2	Bloqueado en la segunda posición

- Instale del mismo modo el conjunto de los tubos en la carcasa del soplador (Fig. G).

Siga el mismo orden para montar el tubo plano curvado con el soplador.

- Para quitar el conjunto de los tubos de la carcasa del soplador, o para separar los dos tubos, gire primero el

tubo hacia la dirección de desbloqueo para soltar el cierre y, a continuación, tire del tubo recto hacia fuera.

UTILIZACIÓN

⚠ ADVERTENCIA: No permita que la confianza que supone el hecho de estar familiarizado con el producto dé lugar a descuidos. Recuerde que cualquier distracción de una fracción de segundos es suficiente para sufrir o provocar lesiones graves.

⚠ ADVERTENCIA: No utilice piezas o accesorios que no hayan sido recomendados por el fabricante de este producto. La utilización de piezas o accesorios no recomendados por el fabricante podría resultar en lesiones físicas graves.

⚠ ADVERTENCIA: Retire siempre el acumulador del producto antes de instalar alguna pieza, efectuar ajustes, proceder a su limpieza, o cuando la herramienta no esté en uso. El hecho de retirar el acumulador permitirá evitar cualquier puesta en marcha accidental de la herramienta que podría dar lugar a lesiones físicas graves.

Antes de cada uso, examine todo el producto para ver si hay piezas dañadas, extraviadas o sueltas, como tornillos, tuercas, pernos, tapones, etc. Apriete bien todas las sujeciones y los tapones y no ponga en marcha el producto hasta haber reemplazado todas las piezas que falten o que estén dañadas.

AVISO: En caso de emergencia, separe la hebilla del pecho para quitarse el soplador.

USO PREVISTO

Este producto podrá utilizarse para los fines indicados a continuación:

- Despejar superficies duras, como entradas para vehículos y caminos peatonales.
- Mantener despejadas de hojarasca y agujas de pino las terrazas y las entradas para vehículos.

AVISO: La herramienta debe utilizarse únicamente para el fin previsto. Cualquier otro uso se considerará uso indebido.

INSTALAR/QUITAR EL ACUMULADOR

RECARGAR ANTES DEL PRIMER USO.

Utilizar solo con los acumuladores y cargadores enumerados en la fig. A.

NOTA: Para mejorar el rendimiento, recomendamos usar la batería EGO de 56 V BA2800 (5,0 Ah) o cualquier batería EGO de 56 V con mayor capacidad.

■ Instalación

Alinee las nervaduras del acumulador con las ranuras de montaje, e introduzca el acumulador presionándolo hacia abajo hasta oír un “clic”.

■ Extracción

Pulse el botón de liberación del acumulador y saque el acumulador.

⚠ ADVERTENCIA: Preste atención siempre a la posición de sus pies, así como a la presencia de niños o mascotas cuando pulse el botón de liberación del acumulador. Podrían producirse lesiones graves si el acumulador se cayese. NUNCA retire el acumulador con la herramienta situada en altura.

POSICIÓN DEL SOPLADOR DE MOCHILA

⚠ ADVERTENCIA: Utilice ropa adecuada cuando trabaje con esta herramienta, para reducir el riesgo de lesiones. No lleve puesta ropa holgada ni joyas. Utilice protección ocular y auditiva. Utilice pantalones largos, botas y guantes resistentes. No lleve pantalones cortos, sandalias, ni vaya descalzo.

Para ajustar el arnés de soporte

1. Introduzca los brazos por las correas de la mochila para sujetar el soplador en su espalda.
 2. Ajuste temporalmente las dos correas de los hombros a posiciones que le resulten cómodas (Fig. J), asegurándose de que el codo esté en una posición cómoda.
 3. Enganche la hebilla del pecho y ajuste su longitud en caso necesario (Fig. K).
 4. Enganche la hebilla de la cintura y ajuste su longitud de forma que la mochila quede apoyada de forma segura en sus caderas (Fig. L & M).
- AVISO:** La mochila no debe llevarse demasiado alta en la espalda; debe estar colocada más cerca de las caderas que de los hombros.
5. Vuelva a ajustar las correas de los hombros de forma segura y cómoda. Compruebe que la mochila esté colocada de forma segura en su espalda, con el peso apoyado en la correa de la cintura, y sin que se mueva demasiado cuando se mueve usted (Fig. N).
 6. Pase la correa sobrante alrededor de la cintura e insértela en los elásticos que hay a ambos lados (Fig. O).
 7. Para quitarse la herramienta de la espalda, presione las hebillas de la cintura y del pecho para abrirlas y después baje la herramienta (Fig. P).

Ajuste del mango de control

1. Afloje la palometa para ajustar el mango hacia delante o hacia atrás según sea necesario (Fig. Q y R) y, a continuación, apriete la palometa para sujetar el mango en esa posición.
2. Si lo desea, también puede girar el mango para mayor comodidad (Fig. S).
3. Para aumentar el área de limpieza, mueva el tubo hacia la izquierda o hacia la derecha (Fig. T).

PUESTA EN MARCHA/PARADA DEL SOPLADOR (Fig. U)

Solo gatillo de velocidad del aire.

- Presione el gatillo de velocidad del aire para encender el soplador.
- La velocidad del aire del soplador se controla con el gatillo de velocidad variable. Una mayor presión en el gatillo produce velocidades de soplado más altas; una presión menor en el gatillo produce velocidades de soplado más bajas. Ajuste la velocidad adecuada para la tarea que esté realizando.
- Suelte el gatillo de velocidad del aire para apagar el soplador.

Solo selector de velocidad/bloqueo.

El soplador se puede encender y bloquear a cualquier velocidad con el selector de velocidad/bloqueo.

- Gire en sentido horario el selector de velocidad/bloqueo para arrancar el soplador. La velocidad del aire aumentará a medida que se gira el selector en sentido horario.
- Para reducir la velocidad del aire, gire en sentido antihorario el selector de velocidad/bloqueo. Siga girando el selector de velocidad/bloqueo en sentido antihorario hasta la posición de apagado para parar el soplador.
- Siga girando el selector de velocidad/bloqueo en sentido antihorario hasta la posición de apagado para parar el soplador.

AVISO: si el selector de velocidad/bloqueo no se pone de nuevo en la posición de apagado antes de encender el soplador, este no arrancará a través del selector de velocidad/bloqueo cuando se instale una batería cargada. Se trata de una función de protección para ayudar a evitar un arranque accidental. Pulsando el gatillo de velocidad del aire se puede desactivar la protección.

Pulse el botón de turbo mientras trabaja, para aumentar temporalmente la velocidad del aire hasta el nivel máximo. Al soltar el botón de turbo, el soplador reanudará la velocidad anterior.

Fig. U, ver abajo la descripción de las piezas:

U-1	Selector de velocidad/ bloqueo	U-3	Gatillo de velocidad del aire
U-2	Botón de turbo		

CONSEJOS PARA USAR EL SOPLADOR

- Para evitar dispersar descontroladamente el material soplado, dirija siempre el chorro de aire en torno al perímetro de los residuos apilados. No sople nunca directamente hacia el centro de la pila.
- Para reducir en lo posible los niveles de ruido emitidos, limite en lo posible el número de herramientas en uso de forma simultánea.
- Utilice rastrillos y escobas para soltar los materiales antes de despejarlos con el soplador. En entornos polvorientos, humedezca ligeramente las superficies si dispone de agua.
- Esté siempre alerta a la posible presencia de niños, mascotas, ventanas abiertas, automóviles recién lavados, etc. y utilice el soplador para despejar los materiales de manera segura.
- Tras utilizar el soplador o cualquier otro equipo, asegúrese de limpiarlos! Elimine los residuos de la manera adecuada.
- No se recomienda usar el soplador a alta velocidad durante mucho tiempo, ya que el elevado nivel de vibración y ruido puede ser nocivo para la salud.

MANTENIMIENTO

⚠ ADVERTENCIA: Cuando efectúe reparaciones en la herramienta, utilice únicamente piezas idénticas a las originales. La utilización de piezas diferentes o no homologadas podría suponer un peligro o causar daños en el producto. Para garantizar la seguridad y fiabilidad del producto, confíe cualquier reparación que sea necesaria a personal técnico cualificado.

⚠ ADVERTENCIA: Para evitar posibles riesgos de lesiones físicas graves, asegúrese siempre de retirar el acumulador de la herramienta antes de proceder a su limpieza o llevar a cabo cualquier tarea de mantenimiento.

MANTENIMIENTO GENERAL

Evite utilizar disolventes para limpiar los elementos plásticos del producto. La mayoría de las piezas de plástico utilizadas son susceptibles de sufrir daños si se limpian con algunos de los tipos de disolventes de uso industrial disponibles en el mercado. Utilice paños limpios para eliminar la suciedad y los residuos de polvo, aceite, grasa, etc.

⚠ ADVERTENCIA: No permita en ningún momento que líquido de frenos, gasolina, productos derivados del petróleo, aceites penetrantes, etc., entren en contacto con las piezas de plástico de la herramienta. Los productos químicos podrían dañar, debilitar o destruir el plástico, con el consiguiente riesgo de provocar lesiones físicas graves.

ES

ALMACENAMIENTO

- Retire el acumulador del soplador.
- Elimine cualquier acumulación de suciedad y materias extrañas de las entradas de aire del soplador.
- Alinee el saliente para el almacenamiento del tubo del soplador con la ranura para colgar el tubo, y cuelgue el tubo sobre la carcasa del compartimento de la batería (Fig. V y W).
- Guarde el aparato en un lugar cerrado al que no pueda acceder ningún niño. Manténgalo apartado de agentes corrosivos como productos químicos de jardinería y sal para deshielo.

Fig. V, ver abajo la descripción de las piezas:

V-1	Saliente para el almacenamiento del tubo del soplador
V-2	Ranura para colgar el tubo

Protección del medio ambiente



¡No elimine aparatos eléctricos, cargadores de baterías, acumuladores recargables o baterías junto con los desperdicios domésticos!

Tanto la Directiva europea 2012/19/UE sobre la eliminación de aparatos eléctricos y electrónicos inservibles como la Directiva europea 2006/66/CE sobre la eliminación de baterías o acumuladores defectuosos o agotados estipulan que dichos elementos deben ser objeto de una recogida selectiva y reciclarse o eliminarse de manera que no perjudique el medio ambiente.

Si los aparatos eléctricos acabaran tirándose a vertederos o basureros, podrían desprender sustancias perjudiciales que llegarían a contaminar las capas freáticas y entrar en la cadena alimenticia, con el consecuente peligro para la salud y calidad de vida humana.

SOLUCIÓN DE PROBLEMAS

ES

ANOMALÍA	CAUSA	SOLUCIÓN
El soplador no funciona.	<ul style="list-style-type: none"> ■ El acumulador no está correctamente insertado en el soplador. ■ No hay contacto eléctrico entre el acumulador y el soplador. ■ El acumulador está agotado. ■ El acumulador o el circuito del soplador se han sobrecalentado. ■ El selector de velocidad/bloqueo no se había vuelto a girar a la posición de apagado antes de encender el soplador. 	<ul style="list-style-type: none"> ■ Inserte correctamente el acumulador en el soplador. ■ Retire el acumulador, compruebe los contactos eléctricos y vuelva a instalar el acumulador en su sitio. ■ Recargue el acumulador. ■ Espere a que el acumulador o el soplador se hayan enfriado lo suficiente hasta que su temperatura sea inferior a 67°C. ■ Presione el gatillo de velocidad del aire para desactivar la protección y arrancar el soplador o gire el selector de velocidad/bloqueo a la posición de apagado en primer lugar.
La velocidad del aire soplado disminuye considerablemente.	<ul style="list-style-type: none"> ■ Desgaste excesivo del ventilador del motor. ■ La entrada de aire está obstruida por acumulaciones de residuos o suciedad. 	<ul style="list-style-type: none"> ■ Póngase en contacto con el servicio de asistencia técnica de EGO para solicitar la reparación de la herramienta. ■ Retire el acumulador del soplador y elimine cualquier obstrucción.
El soplador deja de funcionar a la velocidad turbo.	<ul style="list-style-type: none"> ■ El soplador ha estado tomando una corriente elevada de la batería y pasa al modo de autoprotección. 	<ul style="list-style-type: none"> ■ Apague el selector y reinicie el soplador después de que se haya apagado el indicador LED de la batería. Saque la batería y vuelva a conectarla para reiniciar el soplador.

GARANTÍA

POLÍTICA DE GARANTÍA EGO

Por favor visite nuestra página web egopowerplus.com para los términos y las condiciones completas de la política de garantía EGO.

LEIA TODAS AS INSTRUÇÕES!



LEIA O MANUAL DO UTILIZADOR

AVISO: Estas instruções também estão disponíveis num formato alternativo, p. ex. num website.

⚠ Risco residual! As pessoas com dispositivos eletrónicos, como pacemakers, deverão consultar o seu médico antes de utilizarem este produto. A utilização de equipamento elétrico perto de um pacemaker pode causar interferências ou falhas no pacemaker.

⚠ AVISO: Para assegurar a segurança e bom funcionamento, todas as reparações e substituições deverão ser efetuadas por um técnico de reparação qualificado.

SÍMBOLOS DE SEGURANÇA

O intuito destes símbolos de segurança é chamar a sua atenção para possíveis perigos. Os símbolos de segurança e as explicações apresentadas com eles requerem a sua atenção e compreensão. Os avisos de segurança, só por eles, não eliminam o perigo. As instruções e avisos dados não são substitutos para medidas de prevenção adequadas a acidentes.

⚠ AVISO: Certifique-se de que lê e compreende todas as instruções de segurança neste manual do utilizador, incluindo todos os símbolos de alerta de segurança, como “PERIGO”, “AVISO”, e “CUIDADO” antes de utilizar esta ferramenta. Não seguir todas as instruções apresentadas abaixo pode resultar em choque elétrico, incêndio e/ou lesões graves.

PREVENÇÃO DE DANOS E INFORMAÇÕES

Estas informam o utilizador de que existe informação importante e/ou instruções que podem dar origem a danos no equipamento ou propriedade, caso não sejam seguidas. Cada mensagem é antecedida da palavra “AVISO”, conforme apresentado em baixo:

AVISO: Se estas instruções não forem seguidas, podem dar origem a danos no equipamento e/ou propriedade.



⚠ AVISO: O funcionamento de qualquer ferramenta elétrica pode dar origem ao ressalto de quaisquer objetos estranhos que podem atingir os olhos, podendo dar origem a sérias lesões oculares. Antes de começar a utilizar a ferramenta elétrica, utilize sempre óculos de segurança com proteções laterais e uma proteção completa para o rosto, quando necessário. Recomendamos a utilização de máscaras de segurança com visão panorâmica por cima dos óculos ou óculos de segurança padrão com proteção lateral.

PT

INSTRUÇÕES DE SEGURANÇA

Esta página retrata e descreve os símbolos de segurança que podem aparecer neste produto. Leia, compreenda e siga todas as instruções na máquina antes de a tentar montar e utilizar.

	Alerta de segurança	Precauções que envolvam a sua segurança.
	Utilize proteção ocular	Utilize sempre óculos de segurança com proteção lateral e, se necessário, uma proteção completa do rosto, quando utilizar este produto.
	Utilize proteção auditiva	Utilize sempre proteção auditiva ao utilizar este produto.
	Leia o manual do utilizador	De modo a reduzir os riscos de ferimentos, o utilizador tem de ler o manual do utilizador.
	Mantenha terceiros afastados	Mantenha terceiros a, pelo menos, 15 metros de distância.
V	Volts	Tensão
A	Amperes	Corrente
Hz	Hertz	Frequência (ciclos por segundo)
W	Watt	Potência
min	Minutos	Tempo
m ³ /h	Metro cúbico por hora	Volume do ar

km/h	Quilómetros por hora	Velocidade do ar
	Corrente alternada	Tipo de corrente
	Corrente direta	Tipo ou característica da corrente
n_0	Velocidade sem carga	Velocidade de rotação, sem carga
... /min	Por minuto	Rotações por minuto

Durante a utilização de eletrodomésticos, devem ser sempre tomadas precauções básicas, como as que se seguem:

AVISOS DE SEGURANÇA GERAIS PARA FERRAMENTAS ELÉTRICAS

⚠️ AVISO: LEIA TODOS OS AVISOS DE SEGURANÇA, INSTRUÇÕES, ILUSTRAÇÕES E ESPECIFICAÇÕES FORNECIDAS COM ESTA FERRAMENTA ELÉTRICA.

Não seguir todas as instruções apresentadas abaixo pode resultar em choque elétrico, incêndio e/ou lesões graves.

GUARDE TODOS OS AVISOS E INSTRUÇÕES PARA FUTURA REFERÊNCIA.

O termo “ferramenta elétrica” nos avisos refere-se às suas ferramentas elétricas ligadas à corrente elétrica (com fios) ou ferramentas elétricas que funcionam com bateria (sem fios).

SEGURANÇA NA ÁREA DE TRABALHO

- **Mantenha a área de trabalho limpa e bem iluminada.** As áreas desarrumadas ou escuras convidam a acidentes.
- **Não ligue ferramentas elétricas em atmosferas explosivas, tal como na presença de líquidos inflamáveis, gases ou pó.** As ferramentas elétricas produzem faíscas que podem inflamar o pó ou fumos.
- **Mantenha as crianças e pessoas que passem afastadas enquanto trabalhar com uma ferramenta elétrica.** As distrações podem fazer com que perca o controlo.

SEGURANÇA ELÉTRICA

- **As fichas da ferramenta elétrica têm de corresponder à tomada. Nunca modifique a ficha de algum modo. Não utilize qualquer adaptador com ferramentas elétricas com ligação à terra.** Fichas não modificadas e tomadas correspondentes reduzirão o risco de choque elétrico.

- **Evite o contacto do corpo com superfícies ligadas à terra, tais como tubos, radiadores, bases e frigoríficos.** Existe um risco acrescido de choque elétrico se o seu corpo estiver ligado à terra.
- **Não exponha as ferramentas elétricas à chuva ou a condições húmidas.** A entrada da água na ferramenta elétrica aumentará o risco de choque elétrico
- **Não force o fio. Nunca utilize o fio para transportar, puxar ou desligar a ferramenta elétrica. Mantenha o fio afastado do calor, óleo, arestas afiadas ou peças móveis.** Fios danificados ou emaranhados aumentam o risco de choque elétrico.
- **Quando estiver a trabalhar com uma ferramenta elétrica ao ar livre, utilize uma extensão adequada para a utilização no exterior.** A utilização de um fio adequado ao exterior reduz o risco de choque elétrico.
- **Se for inevitável trabalhar com uma ferramenta elétrica num local húmido, use um dispositivo de corrente residual.** A utilização de um DCR reduz o risco de choque elétrico.

SEGURANÇA PESSOAL

- **Mantenha-se alerta, observe o que está a fazer e utilize o senso comum quando estiver a trabalhar com uma ferramenta elétrica. Não utilize uma ferramenta elétrica quando estiver cansado ou sob o efeito de drogas, álcool ou medicação.** Um momento de falta de atenção enquanto trabalha com ferramentas elétricas pode resultar em lesões pessoais graves.
- **Use equipamento pessoal de protecção.** Utilize sempre protecção ocular. O equipamento de segurança, tal como máscara de pó, calçado de segurança antiderrapante, capacete de segurança, ou protecção para os ouvidos, utilizado nas condições adequadas reduzirá a hipótese de lesões.
- **Evite os arranques sem intenção. Certifique-se de que o interruptor se encontra na posição desligada antes de ligar à alimentação e/ou bateria e antes de pegar ou transportar a ferramenta.** Transportar ferramentas elétricas com o dedo no interruptor ou alimentar ferramentas elétricas com o interruptor na posição de ligado convida a acidentes.
- **Retire qualquer chave de ajuste ou chave de fendas antes de ligar a energia.** Uma chave de fendas ou uma chave deixada ligada a uma peça rotativa da ferramenta elétrica pode resultar em lesão.
- **Não se estique. Mantenha sempre o apoio para os pés e o equilíbrio.** Isto permite um melhor controlo da ferramenta elétrica em situações inesperadas.

- **Vista-se adequadamente. Não utilize roupa larga ou jóias. Mantenha o cabelo, roupa e luvas afastados das partes móveis.** Roupas largas, jóias ou cabelo comprido podem ser apanhados pelas peças em movimento.
- **Se forem fornecidos dispositivos para ligação da extração de pó e das instalações de recolha, certifique-se de que estes estão ligados e são adequadamente utilizados.** A utilização de dispositivos de recolha de pó pode reduzir os perigos relacionados com o pó.
- **Não permita que a familiaridade ganhe com a utilização de ferramentas o torne mais complacente e ignore os princípios de segurança da ferramenta.** Uma ação descuidada pode causar lesões severas numa fração de segundo.

UTILIZAÇÃO E CUIDADOS DA FERRAMENTA ELÉCTRICA

- **Não force a ferramenta eléctrica. Utilize a ferramenta eléctrica correta para a utilização pretendida.** A ferramenta eléctrica correta fará o trabalho melhor e de forma mais segura ao ritmo para o qual foi concebida.
- **Não utilize a ferramenta eléctrica se o interruptor não a ligar e desligar.** Qualquer ferramenta eléctrica que não possa ser controlada com o interruptor é perigosa e deve ser reparada.
- **Desligue a ficha da alimentação e/ou da bateria da ferramenta eléctrica antes de fazer quaisquer ajustes, mudar de acessórios ou armazenar a ferramenta eléctrica.** Tais medidas preventivas de segurança reduzem o risco de ligar a ferramenta eléctrica acidentalmente.
- **Guarde as ferramentas eléctricas não utilizadas fora do alcance das crianças e não permita que pessoas não familiarizadas com a ferramenta eléctrica ou com estas instruções utilizem a ferramenta eléctrica.** As ferramentas eléctricas são perigosas nas mãos de utilizadores sem formação.
- **Proceda à manutenção das ferramentas eléctricas. Verifique desalinhamentos ou bloqueios das peças móveis, peças partidas e quaisquer outras condições que possam afectar o funcionamento da ferramenta eléctrica. Se estiver danificada, leve a ferramenta eléctrica para ser reparada antes da utilização.** Muitos acidentes são provocados pela fraca manutenção das ferramentas eléctricas.
- **Mantenha as ferramentas de corte afiadas e limpas.** Ferramentas de corte devidamente mantidas e com arestas cortantes afiadas têm uma menor probabilidade de prender e são mais fáceis de controlar.

- **Use a ferramenta eléctrica, acessórios e brocas, etc., de acordo com estas instruções, tendo em conta as condições de trabalho e o trabalho a ser efectuado.** A utilização da ferramenta eléctrica para operações diferentes daquelas para que foi criada pode dar origem a uma situação perigosa.
- **Mantenha as pegas e superfícies de segurar secas, limpas e sem óleo ou gordura.** Pegas e superfícies de segurar escorregadias não permitem o manuseamento seguro nem o controlo da ferramenta em situações inesperadas.

UTILIZAÇÃO E CUIDADOS DA BATERIA DA FERRAMENTA

- **Recarregue apenas com o carregador especificado pelo fabricante.** Um carregador que seja adequado para um tipo de bateria pode criar um risco de incêndio quando usado com outra bateria.
- **Use ferramentas eléctricas apenas com as baterias especificamente designadas.** A utilização de outras baterias pode criar um risco de lesão e incêndio.
- **Quando não usar a bateria, mantenha-a afastada de outros objectos de metais, como cliques de papel, moedas, chaves, pregos, parafusos ou outros pequenos objectos de metal que possam fazer a ligação entre os dois terminais.** Colocar os terminais da bateria em curto-circuito pode dar origem a queimaduras ou fogo.
- **Sob condições abusivas, pode ser ejetado líquido da bateria. Evite o contacto. Se ocorrer contacto accidental, lave com água. Se o líquido entrar em contacto com os olhos, procure ajuda médica.** O líquido ejetado da bateria pode provocar irritação ou queimaduras.
- **Não use a bateria nem a ferramenta se estiverem danificadas ou modificadas.** Baterias danificadas ou modificadas podem apresentar comportamentos imprevisíveis, dando origem a fogo, explosão ou risco de lesões.
- **Não exponha a bateria ou a ferramenta ao fogo ou temperatura excessiva.** A exposição ao fogo ou a temperaturas acima dos 130 °C pode causar uma explosão.
- **Siga todas as instruções de carregamento e não carregue a bateria nem a ferramenta a uma temperatura fora dos parâmetros especificados nas instruções.** Carregar incorretamente ou a temperaturas fora dos parâmetros especificados pode danificar a bateria e aumentar o risco de fogo.

REPARAÇÃO

- A manutenção da sua ferramenta elétrica deverá ser sempre efetuada por pessoas qualificadas, utilizando apenas peças sobresselentes idênticas. Tal irá assegurar que a segurança da ferramenta elétrica é mantida.
- **Nunca tente reparar uma bateria danificada.** A reparação das baterias só deverá ser efetuada pelo fabricante ou por um reparador autorizado.

PT

LEIA TODAS AS INSTRUÇÕES ANTES DE UTILIZAR ESTE PRODUTO!

TREINO

- Nunca permita que crianças ou pessoas com capacidades físicas, sensoriais ou mentais reduzidas ou com falta de experiência e conhecimento ou pessoas que não estejam familiarizadas com estas instruções usem o aparelho.
- O operador ou utilizador é o responsável por acidentes ou riscos provocados a outras pessoas ou à sua propriedade.

PREPARAÇÃO

- A ferramenta elétrica pode ser usada à chuva ou em condições de humidade. Seque a ferramenta elétrica após terminar o trabalho.
- Antes da utilização, verifique as baterias quanto a danos. Não utilize o aparelho se a(s) bateria(s) estiver(em) danificada(s).

FUNCIONAMENTO

- A ferramenta elétrica pode ser usada à chuva ou em condições de humidade. Seque a ferramenta elétrica após terminar o trabalho.
- **Desligue a(s) bateria(s):**
 1. Sempre que abandonar a máquina;
 2. Antes de limpar uma peça bloqueada;
 3. Antes de verificar, limpar ou trabalhar no equipamento;
 4. Se o aparelho começar a vibrar anormalmente.
- Garanta que possui sempre uma base para os pés equilibrada em locais inclinados.
- Caminhe, nunca corra.
- Mantenha todas as entradas de ar desobstruídas de resíduos.

- Utilize a máquina apenas a horas razoáveis: nunca de manhã muito cedo ou à noite, quando possa perturbar as outras pessoas.
- Recomendamos que humedeça ligeiramente as superfícies quando houver muito pó ou utilize o acessório de humedecimento.

⚠ AVISO: Perigo de peças rotativos!

- Utilize a extensão de bocal completa do soprador, de forma a que o fluxo de ar possa funcionar próximo do solo.
- Não coloque a máquina em funcionamento junto a janelas, etc.

MANUTENÇÃO E ARMAZENAMENTO

- Mantenha todas as porcas e parafusos bem apertados, para se certificar de que o aparelho está em boas condições de funcionamento.
- Substitua as peças gastas ou danificadas.
- Utilize apenas peças sobresselentes e acessórios genuínos.
- Armazene o equipamento apenas num local seco.

⚠ AVISO: Para reduzir o perigo de incêndio, choque elétrico ou lesões:

IMPORTANTE

LEIA ATENTAMENTE ANTES DE UTILIZAR.

GUARDE PARA FUTURAS REFERÊNCIAS.

- Não permita que o soprador seja utilizado como um brinquedo. É necessária uma atenção reforçada, ao utilizar este equipamento com ou junto de crianças.
- Se o soprador não estiver a funcionar como deveria, tiver caído, estiver danificado ou deixado cair na água, devolva-o a um centro de reparação.
- Não introduza objetos nas aberturas. Não utilize com qualquer abertura bloqueada. Mantenha-as sem pó, fiapos, cabelos ou algo que possa reduzir o fluxo do ar.
- Utilize cuidado extra ao efetuar limpeza sobre escadas.
- Não deixe o soprador sem supervisão quando inserir a bateria. Retire a bateria quando o soprador não for usado e antes da reparação.

- Não manuseie o carregador, incluindo a ficha do carregador e os terminais com as mãos molhadas.
- Não carregue a bateria no exterior.

⚠ AVISO:

- A bateria tem de ser retirada do equipamento antes de ser eliminada.
- A bateria tem de ser eliminada de modo seguro.

- **NÃO** tente eliminar obstáculos da unidade sem retirar primeiro a bateria.
- **Mantenha o soprador e a sua pega secos, limpos e sem óleo e gordura.** Utilize sempre um pano limpo ao limpar. Nunca utilize produtos à base de fluidos para travões, gasolina, produtos à base de petróleo ou quaisquer solventes fortes para limpar o soprador. Seguir esta regra reduzirá o risco de perda de controlo e deterioração do invólucro plástico.
- **As baterias podem explodir na presença de uma fonte de ignição, como uma luz piloto.** Para reduzir o risco de lesões pessoais sérias, nunca utilize um produto sem fios na presença de uma chama sem proteção. Ao explodir, uma bateria pode libertar resíduos e químicos. Se for exposto a estes produtos, lave imediatamente com água.
- **Nunca utilize a unidade sem o devido equipamento fixado.** Certifique-se sempre de que o tubo do soprador está instalado.
- **Nunca utilize o soprador perto de fogo ou cinza quente.** A utilização perto de fogo ou cinzas pode espalhar o fogo e dar origem a lesões sérias e/ou danos de propriedade.
- **Nunca utilize o soprador para espalhar químicos, fertilizantes ou quaisquer outras substâncias tóxicas.** Espalhar estas substâncias pode dar origem a lesões sérias no operador ou terceiros.
- **Guarde estas instruções. Consulte com frequência e utilize estas instruções para instruir outras pessoas sobre a forma de utilizar este equipamento.** Se emprestar este aparelho, entregue também as instruções, para evitar uma má utilização do produto e possíveis lesões.

GUARDE ESTAS INSTRUÇÕES!

ESPECIFICAÇÕES

Voltagem	56 V
Volume máxima do ar	1020 m³/h
Velocidade máxima do ar	232 km/h
Força máxima de sopro	19 N
Temperatura de funcionamento recomendada	-15°C-40°C
Temperatura de armazenamento recomendada	-20°C-70°C
Tempo de funcionamento aproximado (com bateria EGO de 56V 5,0 Ah)	15 min (Rajada)
	22 min (Alta velocidade)
	120 min (Baixa velocidade)
Peso do soprador (sem bateria, com tubo)	5,7 kg
Nível de potência do som medido L _{WA}	94,6 dB(A) K=0,8 dB(A)
Nível da pressão do som no ouvido do operador L _{PA}	82 dB(A) K=2,5 dB(A)
Nível de potência acústica garantido L _{WA} (medido de acordo com 2000/14/CE)	95 dB(A)
Vibração a _h	0,522 m/s ² K=1,5 m/s ²

PT

- O valor total declarado da vibração foi medido de acordo com um método de teste padrão e pode ser usado para comparar duas ferramentas;
- O valor total declarado da vibração também pode ser usado numa avaliação preliminar da exposição.

AVISO: A emissão de vibrações durante a utilização da ferramenta elétrica pode diferir do valor declarado em que a ferramenta é usada. De modo a proteger o utilizador, este deverá utilizar luvas e proteção auditiva nas condições atuais de utilização.

LISTA DE PEÇAS

NOME DA PEÇA	QUANTIDADE
Soprador	1
Tubo do soprador	3
Manual do instruções	1

DESCRIÇÃO

CONHEÇA O SEU SOPRADOR (Fig. A & B)

1. Pega
2. Botão de libertação da bateria
3. Aba
4. Contactos elétricos
5. Mecanismo de ejeção
6. Entrada de ar
7. Tubo dianteiro (Tubo plano curvado)
8. Saída de ar
9. Tubo dianteiro (Tubo cilíndrico)
10. Tubo intermédio
11. Pega de controlo
12. Arnês de suporte ajustável
13. Manipulo de arrumação do tubo do soprador
14. Botão de rajada
15. Disco da velocidade/bloqueio
16. Gatilho da velocidade do ar
17. Porca de asas
18. Ranhura de suspensão do tubo

AVISO: A utilização segura deste produto requer uma compreensão da informação na ferramenta e neste manual de instruções, bem como o conhecimento do trabalho que vai efetuar. Antes de utilizar este produto, familiarize-se com as características de funcionamento e regras de segurança.

MONTAGEM

AVISO: Se houver peças danificadas ou em falta, não utilize o produto até ter substituído essas peças. Utilizar este produto com peças danificadas ou em falta pode dar origem a lesões pessoais sérias.

AVISO: Não tente modificar este produto nem criar acessórios que não sejam recomendados para utilizar com este soprador. Qualquer alteração ou modificação é considerada uma má utilização e pode dar origem a perigos, que podem levar a lesões pessoais sérias.

AVISO: Para evitar um arranque acidental que possa causar lesões pessoais sérias, retire sempre a bateria do produto durante a montagem das peças.

MONTAR OS TUBOS DO SOPRADOR

1. Existem três tubos para o soprador: Dois tubos frontais (um tubo cilíndrico e um tubo plano curvo) e um tubo intermédio (Imagem C).

2. Primeiro, fixe o tubo cilíndrico no tubo intermédio. Alinhe-o as ranhuras no tubo cilíndrico com o manipulo no tubo intermédio (Imagem D).

3. Pressione o tubo intermédio para a frente até que o manipulo se fixe numa das ranhuras. A seguir, rode o tubo intermédio na direção da seta, até que o manipulo deslize para a posição de bloqueado (Imagem E).

Consulte a Imagem C e D em baixo para a descrição das peças:

C-1	Tubo cilíndrico	D-1	Manipulo
C-2	Tubo plano curvado	D-2	Ranhuras para diferentes posições de bloqueio
C-3	Tubo intermédio		

AVISO: Antes de o tubo intermédio ser bloqueado no respetivo lugar durante a rotação, irá reparar num batente incorporado que irá criar alguma resistência. Continue a rodar o tubo após o batente, até deslizar por completo para a posição de bloqueado.

4. Pode encurtar ou aumentar o comprimento do tubo de acordo com as suas preferências, fixando o tubo intermédio em diferentes posições de bloqueio (Imagem F).

Consulte a Imagem F em baixo para a descrição das peças:

F-1	Fixado na primeira posição de bloqueio
F-2	Fixado na segunda posição de bloqueio

5. Fixe o conjunto do tubo na estrutura do soprador do mesmo modo (Imagem G).

Siga a mesma sequência para montar o tubo plano curvo com o soprador.

6. Para retirar o conjunto do tubo da estrutura do soprador, ou para separar os dois tubos, primeiro rode o tubo para a posição de desbloqueado, para libertar a patilha, e depois puxe o tubo a direito para fora.

FUNCIONAMENTO

AVISO: Não permita que a familiarização com este produto o torne descuidado. Lembre-se de que uma fração de segundo de desatenção é o suficiente para sofrer uma lesão séria.

AVISO: Não utilize quaisquer acessórios para além dos recomendados pelo fabricante deste produto. A utilização de acessórios que não sejam recomendados pode dar origem a lesões pessoais sérias.

AVISO: Retire sempre a bateria do produto quando estiver a montar peças, fazer ajustes, limpar ou quando não utilizar o produto. Retirar a bateria evita um arranque acidental que poderia causar lesões pessoais sérias.

Antes de cada utilização, inspecione todo o produto quanto a peças danificadas, em falta ou soltas, como parafusos, porcas, tampas, etc. Aperte bem todos os fixadores e tampas e não utilize este produto até que todas as peças em falta ou danificadas sejam substituídas.

AVISO: Se encontrar uma emergência, separe a fivela do peito a direito para retirar o soprador.

APLICAÇÃO

Pode usar este produto com os intuitos listados em baixo:

- Limpar superfícies duras, como passeios e entradas.
- Manter cobertas e passeios sem folhas ou caruma.

AVISO: A ferramenta tem de ser usada apenas conforme descrito. Qualquer outra utilização pode ser considerada uma má utilização.

INSTALAR/RETIRAR A BATERIA

CARREGUE ANTES DA PRIMEIRA UTILIZAÇÃO.

Utilize apenas com as baterias e carregadores listados na imagem A.

NOTA: Para um melhor desempenho, recomendamos a utilização da bateria EGO 56V BA2800 (5.0 Ah) ou qualquer bateria EGO 56V com uma capacidade superior.

■ Para instalar (Fig. H)

Alinhe as abas da bateria com as ranhuras de fixação e empurre a bateria para baixo até ouvir um “clique”.

■ Para retirar (Fig. I)

Prima o botão de libertação da bateria e puxe a bateria para fora.

AVISO: Tome sempre nota da localização dos seus pés, de crianças ou animais quando premir o botão de libertação da bateria. Se a bateria cair, podem ocorrer lesões sérias. NUNCA retire a bateria num local elevado.

POSICIONAMENTO DO SOPRADOR

AVISO: Vista-se adequadamente para reduzir o risco de lesões quando utilizar este aparelho. Não utilize roupa larga ou jóias. Use proteções oculares e auditivas. Use calças compridas e resistentes, mangas compridas, botas e luvas. Não use roupa curta, sandálias nem ande descalço.

Ajustar o arnês de suporte

1. Coloque os seus braços através das alças para suportar o soprador nas suas costas.
2. Ajuste temporariamente ambas as alças para os ombros para posições confortáveis (Imagem J), certificando-se de que se sente confortável nos ombros.
3. Fixe a fivela para o peito e ajuste o seu comprimento, se necessário (Imagem K).
4. Fixe a fivela para a cintura e ajuste o seu comprimento, de modo a que o soprador fique bem suportado pelas suas ancas (Imagem L e M).

AVISO: O soprador não deve ficar muito elevado nas suas costas. Ele deve ser posicionado mais perto das suas ancas do que dos seus ombros.

5. Reajuste as alças para os ombros, para segurança e conforto. Certifique-se de que o soprador assenta em segurança nas suas costas, com o peso suportado pela alça para a cintura, e sem movimentos em excesso quando se mover (Imagem N).
6. Insira qualquer comprimento extra de correia à volta da cintura no elástico em ambos os lados (Imagem O).
7. Para libertar o aparelho das suas costas, basta premir as fivelas para o peito e cintura para as libertar e baixar o aparelho (Imagem P).

Ajustar a pega de controlo

1. Desaperte a porca de asas para ajustar a pega para a frente ou para trás, conforme necessário (Imagem Q e R) e depois aperte a porca de asas para fixar a posição da pega.
2. Também pode rodar a pega conforme necessário, para maior conforto (Imagem S).
3. Para aumentar a área da limpeza, mova o tubo para a esquerda ou para a direita (Imagem T).

LIGAÇÃO/PARAGEM DO SOPRADOR (Imagem U)

Apenas o gatilho da velocidade do ar

- Prima o gatilho da velocidade do ar para ligar o soprador.
- A velocidade do ar do soprador é controlada com o gatilho da velocidade variável. Mais pressão no gatilho dá origem a velocidades de sopro superiores. Menos pressão no gatilho dá origem a velocidades de sopro inferiores. Ajuste a velocidade para se adequar à tarefa a ser efetuada.
- Liberte o gatilho da velocidade do ar para desligar o soprador.

Apenas disco da velocidade/bloqueio

O soprador pode ser ligado e bloqueado a qualquer velocidade com o disco da velocidade/bloqueio.

- Rode o disco da velocidade/bloqueio no sentido dos ponteiros do relógio para ligar o soprador. A velocidade do ar aumenta à medida que o disco é rodado no sentido dos ponteiros do relógio.
- Para diminuir a velocidade do ar, rode o disco da velocidade/bloqueio no sentido inverso ao dos ponteiros do relógio. Continue a rodar o disco da velocidade/bloqueio no sentido inverso ao dos ponteiros do relógio para a posição de desligado para desligar o soprador.
- Continue a rodar o disco da velocidade/bloqueio no sentido inverso ao dos ponteiros do relógio para a posição de desligado para desligar o soprador.

Nota: Se o disco da velocidade/bloqueio não voltar a ser rodado para a posição de desligado antes de ligar o soprador, este não liga através do disco da velocidade/bloqueio quando for instalada uma bateria carregada. Esta é uma característica de proteção para ajudar a evitar arranques acidentais. Pressionar o gatilho da velocidade do ar pode desativar a proteção.

Prima o botão da rajada enquanto está a trabalhar para aumentar temporariamente a velocidade do ar para o nível máximo. O soprador volta à velocidade anterior quando libertar o botão da rajada.

Consulte a Imagem U em baixo para a descrição das peças:

U-1	Disco da velocidade/bloqueio	U-3	Gatilho da velocidade do ar
U-2	Botão de rajada		

DICAS PARA USAR O SOPRADOR

- Para evitar dispersar o lixo, sobre em redor das extremidades de um monte de lixo. Nunca sobre diretamente para o centro do monte.
- Para reduzir os níveis de ruído, limite o número de peças de equipamento usadas de uma vez.
- Use ancinhos e vassouras para libertar o lixo antes de o soprar. Em condições poeirentas, embeba ligeiramente a superfície, se tiver água disponível.
- Tenha cuidado com as crianças, animais, janelas abertas ou carros lavados recentemente, e afaste o lixo em segurança.

- Após utilizar o soprador ou outro equipamento, proceda à limpeza! Elimine o lixo corretamente.
- Não recomendamos que use o soprador a alta velocidade durante um longo período de tempo, pois muita vibração e ruído pode ser nocivo para a sua saúde.

MANUTENÇÃO

AVISO: Quando fizer reparações, utilize apenas peças sobressalentes idênticas. A utilização de outras peças pode criar um perigo ou provocar danos no produto. Para assegurar a segurança e bom funcionamento, todas as reparações deverão ser efetuadas por um técnico de reparação qualificado.

AVISO: Para evitar lesões pessoais sérias, retire sempre a bateria do produto quando limpar ou efetuar qualquer manutenção.

MANUTENÇÃO GERAL

Evite utilizar solventes quando limpa peças plásticas. Grande parte dos plásticos pode ficar danificada devido a vários tipos de solventes comerciais e pode danificar-se com o uso. Utilize panos de limpeza para retirar sujidades, pó, óleo, gordura, etc.

AVISO: Nunca permita que o líquido dos travões, petróleo, produtos à base de petróleo, óleos penetrantes, etc., entrem em contacto com as peças de plástico. Os químicos podem danificar, enfraquecer ou destruir o plástico, o que pode dar origem a lesões pessoais sérias.

ARMAZENAMENTO

- Retire a bateria do soprador.
- Limpe todo o material estranho das entradas de ar do soprador.
- Alinhe o manípulo de arrumação do tubo do soprador com a ranhura de suspensão do tubo e fixe o tubo do soprador na estrutura do compartimento da bateria (Imagem V e W).
- Guarde-o num espaço fechado e inacessível a crianças. Mantenha-o afastado de agentes corrosivos, como químicos de jardim e sais para eliminar o gelo.

Consulte a Imagem V em baixo para a descrição das peças:

V-1	Manípulo de arrumação do tubo do soprador
V-2	Ranhura de suspensão do tubo

Proteção do ambiente



Não elimine o equipamento elétrico, o carregador da bateria e as baterias/ baterias recarregáveis juntamente com o lixo doméstico comum!

De acordo com a norma europeia 2012/19/UE, o equipamento elétrico e eletrónico que deixe de ser usado, e de acordo com a norma europeia 2006/66/CE, as baterias gastas ou defeituosas têm de ser recolhidas em separado e eliminadas de um modo amigável do ambiente.

Se os equipamentos elétricos forem eliminados em aterros ou lixeiras, substâncias perigosas podem vazarem para os lençóis freáticos e entrar na cadeia de alimentação, danificando a sua saúde e bem-estar.

PT

RESOLUÇÃO DE PROBLEMAS

PT

PROBLEMA	CAUSA	SOLUÇÃO
O soprador não funciona.	<ul style="list-style-type: none">■ A bateria não foi colocada no soprador.■ Não existe contacto elétrico entre o soprador e a bateria.■ A bateria está gasta.■ A bateria ou o soprador está demasiado quente.■ O disco da velocidade/bloqueio não voltou a ser rodado para a posição de desligado antes de ligar o soprador.	<ul style="list-style-type: none">■ Fixe a bateria no soprador.■ Retire a bateria, verifique os contactos e volte a instalar a bateria.■ Carregue a bateria.■ Deixe a bateria e o soprador arrefecerem até que a temperatura atinja menos de 67 °C.■ Prima o gatilho da velocidade do ar para desativar a proteção e ligar o soprador, ou rode primeiro o disco da velocidade/bloqueio para a posição de desligado.
A velocidade do ar diminui significativamente.	<ul style="list-style-type: none">■ Desgaste excessivo da ventoinha do motor.■ A entrada do ar está obstruída por resíduos.	<ul style="list-style-type: none">■ Contacte o centro de reparação da EGO para efetuar a reparação.■ Retire a bateria e limpe os resíduos.
O soprador pára de trabalhar à velocidade de impulso.	<ul style="list-style-type: none">■ O soprador gastou muita corrente da bateria e entrou no modo de proteção.	<ul style="list-style-type: none">■ Desligue o interruptor e reinicie o soprador quando o LED da bateria se desligar. Retire a bateria e volte a ligá-la para reiniciar o soprador.

GARANTIA

POLÍTICA DE GARANTIA EGO

Por favor, visite o website egopowerplus.com para saber todos os termos e condições da política de garantia EGO.

LEGGERE TUTTE LE ISTRUZIONI!



LEGGERE IL MANUALE DI ISTRUZIONI

ATTENZIONE! Queste istruzioni sono disponibili anche in un formato alternativo, ad esempio su un sito web.

⚠️ Rischi residui! Le persone portatrici di dispositivi elettronici, ad esempio pacemaker, devono consultare il proprio medico prima di usare questo prodotto. L'utilizzo di apparecchi elettrici in prossimità di pacemaker cardiaci comporta il rischio di interferenze o malfunzionamento del pacemaker.

⚠️ AVVERTENZA! Per garantire sicurezza e affidabilità, tutte le riparazioni e sostituzioni devono essere eseguite da un tecnico qualificato.

SIMBOLI DI SICUREZZA

Lo scopo dei simboli di sicurezza è attirare l'attenzione dell'operatore su possibili pericoli. I simboli di sicurezza e le relative spiegazioni richiedono la massima attenzione e comprensione da parte dell'operatore. Le avvertenze espresse dai simboli, da sole, non eliminano tutti i rischi. Le istruzioni e le avvertenze non sostituiscono le adeguate misure di prevenzione contro gli incidenti.

⚠️ AVVERTENZA! Accertarsi di aver letto e compreso tutte le istruzioni di sicurezza in questo manuale, inclusi tutti i simboli di avvertenza come "PERICOLO", "AVVERTENZA" e "ATTENZIONE", prima di usare questo apparecchio. Il mancato rispetto di tutte le istruzioni elencate di seguito comporta il rischio di scossa elettrica, incendio e/o lesioni gravi.

MESSAGGI INFORMATIVI E DI PREVENZIONE DEI DANNI

Questi messaggi comunicano all'utente informazioni importanti e/o istruzioni che, se non rispettate, possono danneggiare l'apparecchio o altre proprietà. Ogni messaggio è preceduto dalla parola "ATTENZIONE", come nel seguente esempio:

ATTENZIONE! Il mancato rispetto di queste istruzioni può causare danni all'apparecchio e/o altre proprietà.





⚠️ AVVERTENZA! L'uso di apparecchi elettrici può causare il lancio di oggetti estranei verso l'operatore, con il rischio di gravi lesioni agli occhi. Durante l'uso dell'apparecchio, indossare sempre occhiali protettivi o occhiali di sicurezza con protezioni laterali e, se necessario, una maschera facciale. Si consiglia di indossare una maschera di sicurezza con ampio campo visivo sopra gli occhiali o gli occhiali di sicurezza standard con protezioni laterali.

IT

ISTRUZIONI DI SICUREZZA

Questa pagina illustra e descrive i simboli di sicurezza che possono comparire sul prodotto. Leggere, comprendere e seguire tutte le istruzioni sull'apparecchio prima di tentare di assemblarlo e ripararlo.

	Avvertenza di sicurezza	Precauzioni relative alla sicurezza dell'operatore.
	Indossare protezioni per gli occhi	Durante l'uso del prodotto, indossare sempre occhiali protettivi o occhiali di sicurezza con protezioni laterali e una maschera facciale.
	Indossare protezioni per le orecchie	Durante l'uso del prodotto, indossare sempre protezioni per le orecchie.
	Leggere il manuale di istruzioni	Per ridurre il rischio di infortunio, l'utente deve leggere il manuale di istruzioni.
	Tenere lontane le altre persone	Tenere eventuali altre persone ad almeno 15 m di distanza.
V	Volt	Voltaggio
A	Ampere	Corrente
Hz	Hertz	Frequenza (cicli al secondo)
W	Watt	Potenza
min	Minuti	Tempo
m ³ /h	Metri cubi all'ora	Volume dell'aria
km/h	Chilometri all'ora	Velocità dell'aria

	Corrente alternata	Tipo di corrente
	Corrente continua	Tipo o caratteristica della corrente
n_0	Velocità a vuoto	Velocità di rotazione, senza carico
.../min	Al minuto	Rotazioni al minuto

IT

Durante l'uso di apparecchi elettrici è necessario rispettare alcune elementari norme di sicurezza, tra cui le seguenti:

AVVERTENZE DI SICUREZZA GENERALI PER TUTTI GLI UTENSILI ELETTRICI

⚠ AVVERTENZA! CONSULTARE TUTTE LE AVVERTENZE DI SICUREZZA, LE ISTRUZIONI, LE ILLUSTRAZIONI E LE SPECIFICHE FORNITE INSIEME A QUESTO UTENSILE ELETTRICO. Il mancato rispetto delle istruzioni sotto riportate comporta il rischio di scossa elettrica, incendio e/o gravi infortuni.

CONSERVARE TUTTE LE AVVERTENZE E LE ISTRUZIONI PER RIFERIMENTO FUTURO.

Il termine "utensile elettrico" nelle avvertenze si riferisce a un utensile elettrico alimentato da una rete elettrica (con cavo) o a batterie (senza cavo).

SICUREZZA DELL'AREA DI LAVORO

- **Mantenere l'area di lavoro pulita e ben illuminata.** Aree ingombre e ombreggiate favoriscono gli incidenti.
- **Non usare gli utensili elettrici in atmosfere esplosive, ad esempio in presenza di liquidi infiammabili, benzina o polvere.** Gli utensili elettrici producono scintille suscettibili di dare fuoco a polveri o vapori.
- **Tenere eventuali altre persone e bambini lontane durante l'uso di un utensile elettrico.** Le distrazioni comportano il rischio di perdita di controllo.

SICUREZZA ELETTRICA

- **La spina dell'utensile elettrico deve essere adeguata alla presa in cui verrà inserita. Non modificare la spina in alcun modo. Non usare adattatori con utensili elettrici messi a terra (o a massa).** Spine non modificate e prese adatte riducono il rischio di scossa elettrica.

- **Evitare il contatto del corpo con superfici messe a terra o a massa, ad esempio tubi, radiatori, fornelli e frigoriferi.** Il rischio di scossa elettrica aumenta se il proprio corpo è messo a terra o a massa.
- **Non esporre gli utensili elettrici a pioggia o condizioni di umidità.** La penetrazione di acqua all'interno di un utensile elettrico aumenta il rischio di scossa elettrica.
- **Non danneggiare il cavo di alimentazione. Non usare mai il cavo per trasportare, tirare o scollegare l'utensile elettrico. Tenere il cavo al riparo da calore, olio, bordi taglienti o parti in movimento.** Cavi danneggiati o aggrovigliati aumentano il rischio di scossa elettrica.
- **Durante l'uso di un utensile elettrico all'aperto, usare una prolunga progettata appositamente per ambienti esterni.** L'uso di un cavo adatto agli ambienti esterni riduce il rischio di scossa elettrica.
- **Se è necessario usare l'utensile elettrico in un ambiente umido, usare una rete di alimentazione protetta da un interruttore differenziale.** L'uso di un interruttore differenziale (RCD) riduce il rischio di scossa elettrica.

SICUREZZA PERSONALE

- **Rimanere vigili, prestare attenzione a ciò che si sta facendo e usare il buon senso durante l'uso dell'utensile elettrico. Non usare l'utensile elettrico se si è stanchi o sotto l'effetto di droghe, alcol o medicinali.** Anche un solo momento di disattenzione durante l'uso dell'utensile elettrico comporta il rischio di lesioni gravi.
- **Indossare attrezzatura di protezione. Indossare sempre protezioni per gli occhi.** Se le condizioni lo richiedono, indossare anche maschere antipolveri, calzature antiscivolo, caschi o protezioni per le orecchie per ridurre il rischio di infortunio.
- **Prevenire l'avvio accidentale. Verificare che l'interruttore sia in posizione di spegnimento prima di raccogliere, trasportare o collegare l'utensile elettrico alla rete elettrica e/o al gruppo batteria.** Trasportare un utensile elettrico con il dito sull'interruttore o inserire il gruppo batteria quando l'interruttore è in posizione di accensione favorisce gli incidenti.
- **Rimuovere eventuali chiavi di serraggio prima di accendere l'utensile elettrico.** Una chiave di serraggio rimasta inserita in un elemento mobile dell'utensile elettrico può provocare infortuni.
- **Non allungarsi eccessivamente. Tenere i piedi a contatto con il pavimento e mantenere sempre l'equilibrio.** Ciò permette di avere un maggiore controllo dell'utensile elettrico in caso di imprevisti.

- **Vestirsi adeguatamente. Non indossare indumenti ampi o gioielli. Tenere i capelli, gli indumenti e le mani lontano dalle parti mobili.** Indumenti ampi, gioielli o capelli lunghi possono rimanere impigliati nelle parti in movimento.
- **Se sono presenti dispositivi di aspirazione e trattenimento delle polveri, assicurarsi che siano collegati e usati correttamente.** Tali dispositivi possono ridurre i rischi legati alle polveri.
- **Non lasciare che la familiarità con l'apparecchio (derivata da un uso frequente) abbassi il livello di attenzione.** Anche una minima distrazione può causare gravi infortuni.

USO E MANUTENZIONE DEGLI UTENSILI ELETTRICI

- **Non forzare l'utensile elettrico. Usare l'utensile elettrico adatto al lavoro da effettuare.** L'utensile elettrico adatto sarà più efficace e sicuro se usato al regime per cui è stato progettato.
- **Non usare l'utensile elettrico se l'interruttore non funziona correttamente.** Gli utensili elettrici che non possono essere accesi e spenti correttamente sono pericolosi e devono essere riparati.
- **Scollegare la spina dalla presa di corrente e/o rimuovere il gruppo batteria prima di regolare o riporre l'utensile elettrico o di sostituire gli accessori.** Tale misura di sicurezza riduce il rischio di avvio accidentale dell'utensile elettrico.
- **Riporre gli utensili elettrici fuori dalla portata dei bambini e non consentirne l'uso a persone che non lo sanno usare o non hanno letto queste istruzioni.** Gli utensili elettrici diventano strumenti pericolosi nelle mani di persone che non sanno usarli.
- **Mantenere gli utensili elettrici in buono stato. Verificare che le parti mobili non siano disallineate o piegate e che non siano presenti danni o altre condizioni che potrebbero compromettere il funzionamento dell'utensile elettrico. Se danneggiato, fare riparare l'utensile elettrico prima di usarlo.** Molti incidenti sono dovuti a una cattiva manutenzione degli utensili elettrici.
- **Mantenere gli utensili elettrici puliti e affilati.** Gli utensili di taglio mantenuti puliti e affilati hanno meno probabilità di subire malfunzionamenti e sono più facili da controllare.
- **Usare l'utensile elettrico, gli accessori, le punte, ecc. conformemente a queste istruzioni, tenendo conto delle condizioni di lavoro e delle operazioni da eseguire.** L'uso dell'utensile elettrico per operazioni diverse da quelle per cui è progettato può comportare situazioni di pericolo.
- **Mantenere le impugnature e le superfici di presa asciutte, pulite e prive di olio o grasso.** Impugnature e superfici di presa scivolose non garantiscono l'uso sicuro e il controllo dell'utensile in situazioni impreviste.

USO E MANUTENZIONE DELLA BATTERIA

- **Ricaricare la batteria esclusivamente con il caricabatteria specificato dal costruttore.** Un caricabatteria adatto a un tipo di gruppo batteria può comportare il rischio di incendio se usato con un altro gruppo batteria.
- **Usare esclusivamente gruppi batteria progettati specificamente per questo utensile elettrico.** L'uso di altri gruppi batteria comporta il rischio di incendio e infortunio.
- **Quando la batteria non è in uso, tenerla lontana da piccoli oggetti metallici, ad esempio graffette, monete, chiavi, chiodi, viti ecc. poiché potrebbero creare un collegamento tra i due terminali.** L'eventuale cortocircuito dei terminali della batteria comporta il rischio di incendio o di ustioni.
- **L'utilizzo improprio dell'utensile elettrico può causare fuoriuscite di liquido dalla batteria: evitare il contatto con tale liquido. In caso di contatto accidentale, lavare con acqua. Se il liquido entra in contatto con gli occhi, consultare un medico.** Il liquido fuoriuscito dalla batteria può causare irritazioni o ustioni.
- **Non usare gruppi batteria o utensili danneggiati o modificati.** Le batterie danneggiate o modificate possono manifestare comportamenti imprevisti, con il rischio di incendio, esplosione o infortunio.
- **Non esporre il gruppo batteria o l'utensile a fiamme o temperature eccessive.** L'esposizione a fiamme o temperature superiori a 130°C comporta il rischio di esplosione.
- **Rispettare tutte le istruzioni relative alla ricarica e non ricaricare il gruppo batteria o l'utensile a temperature diverse da quelle specificate nelle istruzioni.** Una ricarica eseguita in modo improprio o a temperature diverse da quelle specificate può danneggiare la batteria e aumentare il rischio di incendio.

RIPARAZIONI

- **Affidare la riparazione dell'utensile a personale qualificato e utilizzare esclusivamente parti di ricambio identiche.** Ciò garantisce la sicurezza dell'utensile elettrico.

- **Non riparare gruppi batteria danneggiati.** La riparazione dei gruppi batteria deve essere effettuata esclusivamente dal costruttore o da un centro di assistenza autorizzato.

LEGGERE TUTTE LE ISTRUZIONI PRIMA DI USARE QUESTO PRODOTTO!

IT

FORMAZIONE ALL'USO

- Non permettere l'uso dell'apparecchio a bambini, persone con ridotte capacità fisiche, mentali o sensoriali o prive di esperienza e conoscenza o persone che non conoscono queste istruzioni.
- L'operatore o l'utente è responsabile per eventuali incidenti o rischi causati ad altre persone o proprietà.

PREPARAZIONE

- Questo utensile elettrico può essere usato sotto la pioggia o in condizioni di umidità. Asciugare l'utensile elettrico al termine del lavoro.
- Prima dell'uso, controllare che le batterie o il gruppo batteria siano privi di danni. Non usare l'apparecchio se le batterie o il gruppo batteria sono danneggiati.

UTILIZZO

- Questo utensile elettrico può essere usato sotto la pioggia o in condizioni di umidità. Asciugare l'utensile elettrico al termine del lavoro.
- **Scollegare le batterie o il gruppo batteria:**
 1. prima di lasciare l'apparecchio incustodito;
 2. prima di eliminare un'ostruzione;
 3. prima di controllare, pulire o eseguire lavori sull'apparecchio;
 4. se l'apparecchio inizia a vibrare in modo anomalo.
- **Puntare bene i piedi sui terreni in pendenza.**
- **Durante l'uso dell'apparecchio, camminare e non correre.**
- **Tenere sempre pulite le aperture di ingresso dell'aria eliminando le eventuali ostruzioni.**
- **Usare l'apparecchio esclusivamente in orari ragionevoli: non la mattina presto o la sera tardi, per evitare di disturbare altre persone.**
- **Se l'area di lavoro è polverosa, inumidire leggermente la superficie o usare l'accessorio nebulizzatore.**

⚠ AVVERTENZA! Rischio di parti rotanti!

- **Usare la bocchetta del soffiatore in tutta la sua estensione affinché il flusso d'aria lavori in prossimità del suolo.**
- **Non usare l'apparecchio in prossimità di finestre aperte, ecc.**

MANUTENZIONE E CONSERVAZIONE

- **Verificare che tutti i dadi, le viti e i bulloni siano serrati e che l'apparecchio funzioni correttamente.**
- **Sostituire i componenti usurati o danneggiati.**
- **Usare esclusivamente accessori e parti di ricambio originali.**
- **Riporre l'apparecchio esclusivamente in luoghi asciutti.**

⚠ AVVERTENZA! Per ridurre il rischio di incendio, scossa elettrica o infortunio:

IMPORTANTE

LEGGERE ATTENTAMENTE PRIMA DELL'USO.

CONSERVARE PER RIFERIMENTO FUTURO.

- **Il soffiatore non deve essere usato come giocattolo.** Prestare particolare attenzione quando il soffiatore viene usato da o in presenza di bambini.
- **Se il soffiatore presenta malfunzionamenti, ha subito cadute, è danneggiato o è caduto in acqua, portarlo presso un centro di assistenza.**
- **Non inserire alcun oggetto nelle aperture di ventilazione. Non usare il soffiatore se una o più aperture di ventilazione sono ostruite; mantenere le aperture di ventilazione prive di polvere, fibre, capelli e qualsiasi altro materiale suscettibile di ridurre il flusso d'aria.**
- **Prestare particolare attenzione durante l'uso del soffiatore su scale.**
- **Non lasciare il soffiatore incustodito quando la spina della batteria è inserita. Rimuovere la batteria quando il soffiatore non è in uso e prima di effettuare qualsiasi operazione di manutenzione.**
- **Non maneggiare il caricabatteria, inclusa la spina del caricabatteria, o i terminali del caricabatteria con le mani bagnate.**
- **Non ricaricare il gruppo batteria all'aperto.**

⚠ AVVERTENZE!

- Prima di smaltire l'apparecchio, rimuovere il gruppo batteria.
- La batteria deve essere smaltita in modo sicuro.
- **NON tentare di rimuovere le ostruzioni dall'apparecchio senza aver prima rimosso la batteria.**
- **Tenere il soffiatore e l'impugnatura puliti e privi di olio e grasso.** Usare sempre un panno pulito durante la pulizia. Non usare mai liquido per freni, benzina, prodotti a base di petrolio o solventi aggressivi per pulire il soffiatore. Il rispetto di questa istruzione evita il deterioramento delle superfici in plastica e riduce il rischio di perdita di controllo.
- **Le batterie possono esplodere in presenza di una fonte di accensione, ad esempio una fiamma pilota. Per ridurre il rischio di lesioni gravi, non usare mai apparecchi alimentati a batteria in presenza di fiamme libere.** L'esplosione di una batteria comporta il lancio di detriti e sostanze chimiche. In caso di esposizione, risciacquare immediatamente con acqua.
- **Non mettere in funzione l'apparecchio senza aver installato i componenti necessari.** Verificare sempre che il tubo del soffiatore sia installato.
- **Non usare mai il soffiatore in prossimità di fuochi o cenere ardente.** L'uso in prossimità di fiamme o cenere comporta il rischio di incendio e il conseguente rischio di lesioni gravi e/o danni materiali.
- **Non usare mai il soffiatore per diffondere sostanze chimiche, fertilizzanti o altre sostanze tossiche.** La diffusione di tali sostanze comporta il rischio di lesioni gravi all'operatore o alle persone presenti.
- **Conservare queste istruzioni. Consultarle frequentemente e usarle per istruire gli altri operatori dell'apparecchio.** Se si presta l'apparecchio ad altre persone, allegare anche queste istruzioni per evitare l'uso errato dell'apparecchio e il rischio di infortuni.

CONSERVARE QUESTE ISTRUZIONI!

SPECIFICHE TECNICHE

Voltaggio	56 V
Massima Volume dell'aria	1020 m³/h
Massima velocità dell'aria	232 km/h
Forza di soffiaggio max.	19 N
Temperatura di funzionamento raccomandata	-15°C-40°C
Temperatura di conservazione raccomandata	-20°C-70°C
Autonomia approssimativa (con batteria EGO 56 V 5,0 Ah)	15 minuti (Boost)
	22 minuti (Alta velocità)
	120 minuti (Bassa velocità)
Peso del soffiatore (senza gruppo batteria, con tubo)	5,7 kg
Livello di potenza sonora misurato L_{WA}	94,6 dB(A) K=0,8 dB(A)
Livello di pressione sonora a livello dell'orecchio dell'operatore L_{PA}	82 dB(A) K=2,5 dB(A)
Livello di potenza sonora garantito L_{WA} (misurato conformemente a 2000/14/EC)	95 dB(A)
Vibrazioni a_h	0,522 m/s² K=1,5 m/s²

- Il valore totale di vibrazioni indicato è stato misurato tramite il metodo di collaudo standard e può essere utilizzato per confrontare l'apparecchio con altri prodotti analoghi.
- Il valore totale di vibrazioni indicato può essere utilizzato anche per una valutazione preliminare dei livelli di esposizione.

ATTENZIONE! L'emissione di vibrazioni durante l'uso effettivo dell'apparecchio può variare rispetto al valore indicato in base a come viene utilizzato l'utensile. Per proteggersi, l'operatore deve indossare guanti e dispositivi di protezione per le orecchie in base alle reali condizioni d'uso.

CONTENUTO DELLA CONFEZIONE

NOME DEL COMPONENTE	QUANTITÀ
Soffiatore	1
Tubo del soffiatore	3
Manuale di istruzioni	1

IT

DESCRIZIONE

DESCRIZIONE DEL SOFFIATORE (Fig. A & B)

1. Impugnatura
2. Massima velocità dell'aria
3. Dispositivo di chiusura
4. Contatti elettrici
5. Meccanismo di espulsione
6. Ingresso dell'aria
7. Tubo anteriore (Tubo piatto curvo)
8. Uscita dell'aria
9. Tubo anteriore (Tubo cilindrico)
10. Tubo intermedio
11. Impugnatura di controllo
12. Imbracatura di supporto regolabile
13. Gancio di fissaggio del tubo
14. Pulsante Boost
15. Selettore di velocità/bloccaggio
16. Leva della velocità dell'aria
17. Dado a farfalla
18. Scanalatura di fissaggio del tubo

AVVERTENZA! L'uso sicuro di questo apparecchio richiede la comprensione delle informazioni riportate sull'apparecchio e in questo manuale e la conoscenza del progetto di lavoro. Prima di usare l'apparecchio, familiarizzarsi con tutte le funzioni operative e le norme di sicurezza.

ASSEMBLAGGIO

AVVERTENZA! In caso di componenti danneggiati o mancanti, non usare l'apparecchio finché i componenti non vengono sostituiti. L'uso dell'apparecchio con componenti danneggiati o mancanti comporta il rischio di lesioni gravi.

AVVERTENZA! Non tentare di modificare l'apparecchio o creare accessori non raccomandati per l'uso con questo soffiatore. Tali alterazioni o modifiche costituiscono un uso improprio e comportano condizioni pericolose e il rischio di lesioni gravi.

AVVERTENZA! Per evitare l'avvio accidentale e il conseguente rischio di lesioni gravi, rimuovere sempre il gruppo batteria dall'apparecchio durante l'assemblaggio dei componenti.

ASSEMBLAGGIO DEI TUBI DEL SOFFIATORE

1. Il soffiatore dispone di due tubi: un tubo anteriore e un tubo intermedio (Fig. C).
2. Per prima cosa, unire il tubo anteriore al tubo intermedio. Allineare una delle scanalature sul tubo anteriore con il perno sul tubo intermedio (Fig. D).
3. Spingere il tubo intermedio in avanti finché il perno non scatta in una delle scanalature. Quindi ruotare il tubo intermedio nella direzione della freccia finché il perno non raggiunge la posizione di bloccaggio (Fig. E).

Descrizione delle parti in Fig. C e D:

C-1	Tubo cilindrico	D-1	Perno
C-2	Tubo piatto curvo	D-2	Scanalature per diverse posizioni di bloccaggio
C-3	Tubo intermedio		

NOTA: prima che il tubo intermedio si blocchi in posizione durante la rotazione, un dispositivo di arresto integrato opporrà resistenza. Continuare a ruotare il tubo oltre il dispositivo di arresto finché non raggiunge completamente la posizione di bloccaggio.

4. È possibile ridurre o aumentare la lunghezza del tubo in base alle proprie preferenze bloccando il tubo intermedio in diverse posizioni (Fig. F).

Descrizione delle parti in Fig. F:

F-1	Bloccato nella prima posizione
F-2	Bloccato nella seconda posizione

5. Installare il gruppo tubo sull'unità soffiatore nello stesso modo (Fig. G).

Seguire la stessa sequenza per assemblare il tubo piatto curvo sul soffiatore.

6. Per rimuovere il gruppo tubo dall'unità soffiatore o per separare i due tubi, ruotare il tubo in direzione di sbloccaggio per liberare il perno, quindi tirare il tubo in linea retta verso l'esterno.

FUNZIONAMENTO

AVVERTENZA! La familiarità con questo apparecchio non deve rendere l'operatore disattento. Anche un solo momento di disattenzione comporta il rischio di lesioni gravi.

⚠ AVVERTENZA! Non usare accessori non raccomandati dal costruttore dell'apparecchio. L'uso di accessori non raccomandati comporta il rischio di lesioni gravi.

⚠ AVVERTENZA! Rimuovere sempre il gruppo batteria dall'apparecchio durante l'assemblaggio dei componenti, prima delle operazioni di manutenzione e pulizia e quando non è in uso. La rimozione del gruppo batteria impedisce l'avvio accidentale e il conseguente rischio di lesioni gravi.

Prima di ogni utilizzo, ispezionare l'intero apparecchio per verificare che nessun elemento sia mancante e non siano presenti componenti danneggiati o allentati, ad esempio viti, dadi, bulloni, tappi, ecc. Serrare saldamente tutti i dispositivi di fissaggio e le coperture e non usare l'apparecchio finché tutti componenti mancanti o danneggiati non vengono sostituiti.

NOTA: In caso di emergenza, slacciare la fibbia sul torso per rimuovere il soffiatore.

DESTINAZIONE D'USO

Questo prodotto può essere usato per gli scopi elencati di seguito:

- Pulire superfici dure come vialetti e passerelle.
- Mantenere pedane e vialetti privi di foglie e aghi di pino.

NOTA: usare l'apparecchio esclusivamente per gli scopi previsti. Altri utilizzi sono da considerarsi impropri.

INSTALLARE/RIMUOVERE IL GRUPPO BATTERIA

RICARICARE PRIMA DEL PRIMO UTILIZZO.

Usare esclusivamente con i gruppi batteria e i caricabatteria elencati in fig. A.

NOTA: Per garantire le migliori prestazioni, si consiglia l'uso della batteria EGO 56V BA2800(5.0 Ah) o qualsiasi batteria EGO 56V con capacità superiore.

■ Installazione (Fig. H)

Allineare i rilievi sul gruppo batteria con le scanalature di assemblaggio e premere il gruppo batteria fino a udire un "clic".

Rimozione (Fig. I)

Premere il pulsante di rilascio della batteria ed estrarre il gruppo batteria.

⚠ AVVERTENZA! Prestare sempre attenzione ai propri piedi e all'eventuale presenza di bambini o animali attorno a sé durante la rimozione del gruppo batteria. La caduta del gruppo batteria comporta il rischio di lesioni gravi. Non rimuovere MAI il gruppo batteria quando si è in posizione elevata.

POSIZIONAMENTO DEL SOFFIATORE A ZAINO

⚠ AVVERTENZA! Vestirsi adeguatamente per ridurre il rischio di infortunio durante l'uso dell'apparecchio. Non indossare indumenti ampi o gioielli. Indossare dispositivi di protezione per gli occhi/orecchie. Indossare pantaloni lunghi e pesanti, stivali e guanti. Non indossare pantaloni corti o sandali e non usare l'apparecchio a piedi nudi.

Regolare l'imbracatura di supporto

1. Infilare le braccia tra le cinghie dello zaino per portare il soffiatore sulla schiena.
2. Regolare temporaneamente gli spillacci nella posizione più confortevole (Fig. J), assicurandosi che il gomito sia comodo.
3. Allacciare la fibbia sul torace e regolare la lunghezza, se necessario (Fig. K).
4. Allacciare la fibbia sulla vita e regolare la lunghezza affinché lo zaino sia supportato saldamente sui fianchi (Fig. L e M).

NOTA: lo zaino non deve essere portato troppo in alto sulla schiena; deve essere più vicino ai fianchi che alle spalle.

5. Regolare nuovamente gli spillacci affinché siano saldi e comodi. Assicurarsi che lo zaino sia posizionato saldamente sulla schiena, con il peso supportato dalla cinghia intorno alla vita, e che non si sposti eccessivamente durante il movimento (Fig. N).
6. Inserire l'eventuale lunghezza in eccesso della cintura intorno alla vita nell'elastico su entrambi i lati (Fig. O).
7. Per rimuovere l'apparecchio dalla schiena, premere le fibbie sul torace e sulla vita per slacciarle, quindi abbassare l'apparecchio (Fig. P).

Regolare l'impugnatura di controllo

1. Allentare il dado a farfalla per spostare l'impugnatura in avanti o all'indietro (Fig. Q e R) e serrare il dado per fissarla in posizione.
2. Per un maggiore comfort, l'impugnatura può anche essere ruotata (Fig. S).
3. Per ampliare il raggio d'azione del soffiatore, spostare il tubo verso destra o verso sinistra (Fig. T).

AVVIARE/ARRESTARE IL SOFFIATORE (Fig. U)

Solo leva della velocità dell'aria

- Premere la leva della velocità dell'aria per accendere il soffiatore.

IT

- La velocità dell'aria del soffiatore è controllata dalla leva di velocità variabile. Una maggiore pressione sulla leva produce una maggiore velocità di soffiaggio; una pressione minore sulla leva produce una minore velocità di soffiaggio. Regolare la velocità in base al lavoro da svolgere.
- Rilasciare la leva della velocità dell'aria per spegnere il soffiatore.
- Usare rastrelli e scope per smuovere i detriti prima di soffiarli. In aree di lavoro polverose, inumidire leggermente le superfici, se possibile.
- Fare attenzione all'eventuale presenza di bambini, animali, finestre aperte o automobili appena lavate e soffiare i detriti in direzione opposta.
- Dopo l'uso di soffiatori o altri apparecchi, fare pulizia! Smaltire i detriti adeguatamente.

IT

Solo manopola di velocità/bloccaggio

È possibile accendere il soffiatore e impostarlo su qualsiasi velocità con il selettore di velocità/bloccaggio.

- Ruotare il selettore di velocità/bloccaggio in senso orario per avviare il soffiatore. La velocità dell'aria aumenta alla rotazione del selettore del selettore in senso orario.
- Per ridurre la velocità dell'aria, ruotare il selettore di velocità/bloccaggio in senso antiorario. Continuare a ruotare il selettore di velocità/bloccaggio in senso antiorario fino alla posizione di spegnimento per arrestare il soffiatore.
- Continuare a ruotare il selettore di velocità/bloccaggio in senso antiorario per arrestare il soffiatore.

Attenzione! Se il selettore di velocità/bloccaggio non viene riportato in posizione di spegnimento prima di accendere il soffiatore, il soffiatore non si accenderà con il selettore di velocità/bloccaggio dopo aver installato una batteria carica. Si tratta di un meccanismo di protezione che evita l'avvio accidentale. Premere la leva della velocità dell'aria per disattivare la protezione.

Premere il pulsante Boost durante il lavoro per aumentare temporaneamente la velocità dell'aria al livello massimo. Al rilascio del pulsante, il soffiatore tornerà alla velocità precedente.

Descrizione delle parti in Fig. U:

U-1	Selettore di velocità/bloccaggio	U-3	Leva della velocità dell'aria
U-2	Pulsante Boost		

SUGGERIMENTI PER L'USO DEL SOFFIATORE

- Per evitare di spargere i detriti, soffiare lungo i bordi esterni del cumulo di detriti. Non soffiare mai direttamente verso il centro del cumulo.
- Per ridurre la rumorosità, limitare il numero di apparecchi utilizzati contemporaneamente.

- Si raccomanda di non usare il soffiatore ad alta velocità per un lungo periodo, poiché l'esposizione prolungata a rumore e vibrazioni può essere dannosa per la salute.

MANUTENZIONE

AVVERTENZA! Per la riparazione dell'apparecchio, usare esclusivamente parti di ricambio identiche. L'uso di altri ricambi comporta situazioni pericolose o il rischio di danni all'apparecchio. Per garantire sicurezza e affidabilità, tutte le riparazioni e sostituzioni devono essere eseguite da un tecnico qualificato.

AVVERTENZA! Per evitare lesioni gravi, rimuovere sempre il gruppo batteria dall'apparecchio prima delle operazioni di pulizia o manutenzione.

MANUTENZIONE GENERALE

Evitare l'uso di solventi durante la pulizia delle parti in plastica. La maggior parte dei materiali plastici può essere danneggiata da diversi tipi di solventi in commercio. Usare un panno pulito per rimuovere sporczia, polvere, olio, grasso, ecc.

AVVERTENZA! Impedire il contatto di liquido per freni, benzina, prodotti a base di petrolio, oli penetranti, ecc. con le parti in plastica. Le sostanze chimiche possono danneggiare, indebolire o distruggere la plastica, comportando il rischio di lesioni gravi.

CONSERVAZIONE

- Rimuovere il gruppo batteria dal soffiatore.
- Rimuovere tutti i materiali estranei dalle aperture di ventilazione del soffiatore.

- Allineare il gancio di fissaggio del tubo con la scanalatura di fissaggio del tubo e agganciare il tubo sul vano batteria (Fig. V e W).
- Riporre l'apparecchio in un luogo al chiuso inaccessibile ai bambini. Tenerlo al riparo da agenti corrosivi, ad esempio sostanze chimiche per il giardinaggio e sale per disgelo.

Descrizione delle parti in Fig. V:

V-1	Gancio di fissaggio del tubo
V-2	Scanalatura di fissaggio del tubo

Protezione dell'ambiente



Non smaltire gli apparecchi elettrici, caricabatteria e batterie/batterie ricaricabili insieme ai rifiuti indifferenziati!

Conformemente alle direttive europee 2012/19/EU e 2006/66/CE, i rifiuti di apparecchiature elettriche ed elettroniche, pile e accumulatori devono essere raccolti separatamente e smaltiti nel rispetto dell'ambiente.

Se gli apparecchi elettrici vengono smaltiti nelle discariche, le sostanze pericolose possono infiltrarsi nelle falde acquifere e contaminare la catena alimentare, con effetti dannosi sulla salute e il benessere.

IT

RISOLUZIONE DEI PROBLEMI

IT

PROBLEMA	CAUSA	SOLUZIONE
Il soffiatore non funziona.	<ul style="list-style-type: none"> ■ Il gruppo batteria non è installato sul soffiatore. ■ Il contatto elettrico tra il soffiatore e la batteria è mancante. ■ Il gruppo batteria è scarico. ■ Il gruppo batteria o il soffiatore sono troppo caldi. ■ Il selettore di velocità/bloccaggio non è stato riportato in posizione di spegnimento prima di accendere il soffiatore. 	<ul style="list-style-type: none"> ■ Installare il gruppo batteria sul soffiatore. ■ Rimuovere la batteria, ispezionare i contatti e reinstallare il gruppo batteria. ■ Ricaricare il gruppo batteria. ■ Attendere che la temperatura del gruppo batteria e del soffiatore scenda al di sotto di 67°C. ■ Premere la leva della velocità dell'aria per disattivare la protezione e avviare il soffiatore o ruotare il selettore di velocità/bloccaggio fino alla posizione di spegnimento.
La velocità dell'aria diminuisce visibilmente.	<ul style="list-style-type: none"> ■ La ventola del motore è usurata. ■ La presa d'ingresso dell'aria è ostruita da detriti. 	<ul style="list-style-type: none"> ■ Contattare il centro di assistenza EGO per la riparazione. ■ Estrarre il gruppo batteria e rimuovere i detriti.
Il soffiatore smette di funzionare a velocità boost.	<ul style="list-style-type: none"> ■ La batteria è sottoposta a un carico eccessivo e il soffiatore entra in modalità di protezione. 	<ul style="list-style-type: none"> ■ Spegnerne il soffiatore e riavviarlo quando la spia della batteria si spegne. Rimuovere la batteria, reinstallarla e riavviare il soffiatore.

GARANZIA

CONDIZIONI DELLA GARANZIA EGO

Visitare il sito web egopowerplus.com per consultare le condizioni complete della garanzia EGO.

LEES ALLE INSTRUCTIES!



LEES DE GEBRUIKERSHANDLEIDING

OPMERKING: Deze instructies zijn ook als alternatief formaat verkrijgbaar, bijv. op een website.

⚠ Restrisico! Personen met elektronische apparaten, zoals pacemakers, moeten eerst hun art(sen) raadplegen voordat ze dit product mogen gebruiken. De werking van een elektrisch apparaat in de nabijheid van een pacemaker kan een storing of defect aan de pacemaker veroorzaken.

⚠ WAARSCHUWING: Om de veiligheid en betrouwbaarheid continu te kunnen waarborgen, dienen alle reparaties en vervangingen van onderdelen uitgevoerd te worden door een vakbekwame reparateur.

VEILIGHEIDSSYMBOLEN

Het doel van de veiligheidssymbolen is om u te wijzen op mogelijke gevaren. Besteed daarom voldoende aandacht hieraan en begrijp de veiligheidssymbolen en bijbehorende uitleg. De symboolwaarschuwingen op zich elimineren geen enkel gevaar. De gegeven instructies en waarschuwingen gelden niet als vervanging voor gepaste voorzorgsmaatregelen tegen ongevallen.

⚠ WAARSCHUWING: Lees en begrijp alle veiligheidsinstructies die in deze gebruikershandleiding zijn vermeld, waaronder alle veiligheidssymbolen zoals "GEVAAR", "WAARSCHUWING", en "OPGELET" voordat u dit apparaat in gebruik neemt. Het negeren van onderstaande instructies kan leiden tot elektrische schokken, brand en/of ernstig persoonlijk letsel.

SCHADEPREVENTIE EN INFORMATIEMEDELINGEN

Deze informeren de gebruiker over belangrijke informatie en/of instructies wat kan leiden tot schade aan het apparaat of andere eigendommen als deze niet correct worden opgevolgd. Elk bericht wordt voorafgegaan door het woord "**MEDEDELING**", zoals in onderstaand voorbeeld.

OPMERKING: Schade aan apparaten en/of eigendommen kunnen zich voordoen als deze instructies niet worden opgevolgd.



⚠ WAARSCHUWING: De werking van het apparaat kan leiden tot het rondslingeren van (vreemde) objecten die in uw ogen kunnen terechtkomen. Dit kan leiden tot ernstig oogletsel. Wanneer u elektrische apparaten gebruikt, zorg er dan voor dat u altijd een veiligheidsbril (met zijschermen) of een gelaatsscherm draagt. We bevelen aan om een gelaatsscherm over uw bril of standaard veiligheidsbril met zijschermen te gebruiken.

NL

VEILIGHEIDSVORSCHRIFTENS

Deze pagina toont en beschrijft alle veiligheidssymbolen die zich op dit product kunnen bevinden. Lees, begrijp en volg alle instructies op de machine voordat u deze in elkaar zet en gebruikt.

	Veiligheidswaarschuwing	Voorzorgsmaatregelen voor uw veiligheid.
	Draag oogbescherming	Draag altijd een veiligheidsbril met zijschermen en een gelaatsscherm als u dit product gebruikt.
	Draag oorbescherming	Draag altijd gehoorbescherming wanneer u dit product gebruikt.
	Lees de gebruikershandleiding	De gebruiker moet de gebruikershandleiding lezen om het risico op letsel te beperken.
	Houd omstanders uit de buurt	Houd alle omstanders minstens 15 meter uit de buurt.
V	Volt	Spanning
A	Ampère	Stroom
Hz	Hertz	Frequentie (cycli per seconde)
W	Watt	Vermogen
min	Minuten	Tijd
m ³ /h	Kubieke meter per uur	Luchtvolume
km/h	Kilometer per uur	Lichtsnelheid
~	Wisselstroom	Stroomtype
≡	Gelijkstroom	Stroomtype of -karakteristiek

n_0	Snelheid zonder belasting	Draaisnelheid, zonder belasting
.../min	Per minuut	Toeren per minuut

Volg altijd de standaard veiligheidsrichtlijnen als u een elektrisch apparaat gebruikt, met inbegrip van de volgende.

ALGEMENE VEILIGHEIDSWAARSCHUWINGEN VOOR ELEKTRISCH GEREEDSCHAP

NL

⚠ WAARSCHUWING: LEES ALLE VEILIGHEIDSWAARSCHUWINGEN, INSTRUCTIES, ILLUSTRATIES EN SPECIFICATIES DIE MET DIT ELEKTRISCH GEREEDSCHAP ZIJN MEEGELEVERD.

Het negeren van onderstaande instructies kan leiden tot een elektrische schok, brand en/of ernstig letsel.

BEWAAR ALLE WAARSCHUWINGEN EN INSTRUCTIES VOOR TOEKOMSTIG GEBRUIK.

De term "elektrisch gereedschap" in de waarschuwingen refereert naar elektrisch gereedschap met een stroomkabel (kabelgebonden) of met een accu (kabelloos).

VEILIGHEID OP DE WERKPLEK

- **Houd de werkplek schoon en goed verlicht.** Verontreinigde of donkere omgevingen werken ongelukken in de hand.
- **Gebruik elektrisch gereedschap niet in een explosieve omgeving, zoals in de aanwezigheid van brandbare vloeistoffen, gassen of stof.** Elektrische gereedschappen veroorzaken vonken die stof of dampen kunnen ontsteken.
- **Houd kinderen en omstanders uit de buurt wanneer u een elektrisch gereedschap bedient.** Afleiding kan tot controleverlies leiden.

ELEKTRISCHE VEILIGHEID

- **De stekker van het elektrisch gereedschap moet met het stopcontact overeenstemmen. Pas de stekker op geen enkele manier aan. Gebruik geen adapterstekker met geaard elektrisch gereedschap.** Niet aangepaste stekkers en overeenkomstige stopcontacten beperken het risico op elektrische schokken.
- **Vermijd lichaamscontact met geaarde oppervlakken, zoals pijpleidingen, radiatoren, fornuizen of koelkasten.** Het risico op een elektrische schok is groter als uw lichaam geaard is.

- **Stel elektrisch gereedschap niet bloot aan regen of vochtige omstandigheden.** Water dat elektrisch gereedschap binnendringt, vergroot het risico op elektrische schokken.
- **Misbruik de kabel niet. Gebruik de kabel nooit om te dragen, te trekken of de stekker uit het stopcontact te trekken. Houd de kabel uit de buurt van hitte, olie, scherpe randen of bewegende onderdelen.** Beschadigde of in de war geraakte kabels vergroten het risico van een elektrische schok.
- **Als u buitenshuis met elektrische apparaten werkt, dient u een verlengkabel te gebruiken dat geschikt is voor gebruik buitenshuis.** Het gebruik van een kabel dat specifiek geschikt is voor gebruik buitenshuis vermindert het risico op een elektrische schok.
- **Als het gebruik van elektrisch gereedschap in een vochtige ruimte noodzakelijk is, gebruik dan een verliesstroomautomaat.** Het gebruik van een verliesstroomautomaat verkleint het risico op elektrische schokken.

PERSOONLIJKE VEILIGHEID

- **Wees attent, let op wat u gaat doen en gebruik uw gezonde verstand terwijl u een elektrisch gereedschap gebruikt. Gebruik geen elektrisch gereedschap wanneer u moe bent of onder invloed van drugs, alcohol of medicijnen staat.** Een moment van onoplettendheid tijdens het gebruik van het elektrisch gereedschap kan leiden tot ernstig persoonlijk letsel.
- **Maak gebruik van een persoonlijke beschermende uitrusting. Draag altijd oogbescherming.** Een beschermende uitrusting zoals een stofmasker, stroeve veiligheidsschoenen, een veiligheidshelm, of gehoorbescherming die onder de juiste omstandigheden worden gebruikt, zullen het risico op persoonlijk letsel reduceren.
- **Vorkom per ongeluk inschakelen. Controleer of de schakelaar zich in de uit-stand bevindt voordat u het elektrisch gereedschap op de stroom of het accupack aansluit, het gereedschap optilt of draagt.** Elektrische gereedschap met de vinger op de schakelaar te dragen of het gereedschap aan de stroom te sluiten terwijl de schakelaar op aan staat, is een uitnodiging voor ongelukken.
- **Verwijder instelgereedschap of sleutels voordat u het elektrisch gereedschap inschakelt.** Een sleutel die zich nog aan het gereedschap bevindt en in de buurt van een draaiend onderdeel van het elektrisch gereedschap is, kan tot persoonlijk letsel leiden.

- **Buig niet te ver naar voren.** Zorg altijd voor een veilige stand en goed evenwicht. Hierdoor zorgt u voor een betere controle over het elektrisch gereedschap in onverwachte situaties.
- **Draag geschikte kleding. Draag geen los zittende kleding of sieraden. Houd uw haren, kleding en handschoenen uit de buurt van bewegende onderdelen.** Los zittende kleding, sieraden of lang haar kan vast komen te zitten in bewegende onderdelen.
- **Als apparaten een voorziening hebben voor het afzuigen van stof en het verzamelen ervan, dient u ervoor te zorgen dat deze ook worden aangesloten en correct worden gebruikt.** Het gebruik van een stofafzuiging kan aan stof gerelateerde gevaren verminderen.
- **Word niet zelfingenomen door de ervaring die u heeft opgedaan door frequent gebruik, waardoor u dan de veiligheidswaarschuwingen negeert.** Een achteloze actie kan binnen een fractie van een seconde ernstig letsel veroorzaken.

HET GEBRUIK EN ONDERHOUD VAN ELEKTRISCH GEREEDSCHAP

- **Oefen geen geweld uit op het elektrisch gereedschap. Gebruik het juiste elektrische gereedschap voor uw toepassing.** Het juiste elektrische gereedschap voert het werk beter en veiliger uit met het toerental waarvoor het werd ontwikkeld.
- **Gebruik het elektrisch gereedschap niet als het niet met behulp van de schakelaar kan worden in- en uitgeschakeld.** Ieder elektrisch gereedschap dat niet door de schakelaar kan worden bediend is gevaarlijk en moet worden gerepareerd.
- **Haal de stekker uit het stopcontact en/of het accupack uit het elektrisch gereedschap voordat u instellingen uitvoert, accessoires vervangt, of het elektrisch gereedschap opslaat.** Dergelijke preventieve veiligheidsmaatregelen verminderen het risico dat het elektrisch gereedschap per ongeluk start.
- **Sla uitgeschakelde elektrische gereedschappen buiten het bereik van kinderen op en sta niet toe, dat personen die niet op de hoogte zijn van het elektrisch gereedschap of de instructies voor het gebruik van het elektrisch gereedschap dit gebruiken.** Elektrische gereedschappen zijn gevaarlijk in de handen van onervaren gebruikers.
- **Onderhoud van elektrisch gereedschap. Controleer de verkeerde montage of bevestiging van bewegende delen, gebroken onderdelen en ieder**

ander probleem dat het gebruik van het elektrisch gereedschap kan beïnvloeden. Als het beschadigd is, dient u het elektrisch gereedschap voor gebruik te laten repareren. Veel ongevallen worden veroorzaakt door slecht onderhouden elektrische gereedschappen.

- **Houd snijgereedschap scherp en schoon.** Goed onderhouden snijgereedschap met scherpe snijranden raken minder snel vast en zijn gemakkelijker te bedienen.
- **Gebruik het elektrisch gereedschap, accessoires en bits etc. in overeenstemming met deze instructies. Rekening houdend met de werkvoorwaarden en het werk dat wordt uitgevoerd.** Het gebruik van het elektrisch gereedschap voor doeleinden andere dan de voorziene, kan tot gevaarlijke situaties leiden.
- **Houd de handgrepen en greepvlakken droog, schoon en vrij van olie en smeervet.** Glibberige handgrepen en greepvlakken maken een veilige omgang en de controle over het elektrisch gereedschap in onverwachte situaties onmogelijk.

HET GEBRUIK EN ONDERHOUD VAN ACCU GEREEDSCHAP

- **Laad de oplader alleen op met de lader die door de fabrikant wordt aangegeven.** Een lader die geschikt is voor het ene soort accupack kan een risico op brand veroorzaken als hij met een andere accupack wordt gebruikt.
- **Gebruik elektrische gereedschappen alleen met de aangegeven accupacks.** Het gebruik van andere accupacks dan de aangegeven kan een risico op letsel en brand veroorzaken.
- **Als een accupack niet wordt gebruikt, dient u het uit de buurt te houden van metalen voorwerpen, zoals paperclips, muntjes, sleutels, spijkers, schroeven of andere metalen voorwerpen die een verbinding van de ene pool met de andere kunnen veroorzaken.** Het kortsluiten van de polen van het accupack kan brandwonden of vuur veroorzaken.
- **In geval van geweld kan vloeistof uit de accu lekken; voorkom contact. Als er per ongeluk sprake is van contact, dient u het met water af te spoelen. Als u vloeistof in de ogen krijgt dient u bovendien een arts te raadplegen.** Vloeistof uit de accu kan irritatie of brandwonden veroorzaken.
- **Gebruik geen accupack of gereedschap dat is beschadigd of aangepast.** Beschadigde of aangepaste accu's kunnen resulteren in onvoorzien gedrag zoals brand, explosie of het risico op letsel.

- **Stel een accupack of gereedschap niet bloot aan vuur of excessieve temperaturen.** Blootstelling aan vuur of temperaturen boven 130 °C kunnen leiden tot een explosie.
- **Neem alle laad instructies in acht en laad het accupack of het gereedschap niet buiten het gespecificeerde temperatuurbereik in de handleiding op.** Het onjuist laden of bij een temperatuur buiten het temperatuurbereik kan de accu beschadigen en er bestaat een gevaar op brand.

NL

SERVICE

- **Laat uw elektrisch gereedschap repareren door een gekwalificeerde reparateur en alleen met identieke reserve-onderdelen.** Dit waarborgt de veiligheid van het elektrisch gereedschap.
- **Repareer beschadigde accupacks nooit.** Onderhoud van accupacks mag alleen worden uitgevoerd door de fabrikant of een geautoriseerde dienstverlener.

LEES ALLE INSTRUCTIES DOOR VOOR GEBRUIK VAN DIT PRODUCT!

TRAINING

- **Sta kinderen, personen met een gereduceerde fysieke, sensorische of mentale capaciteiten of een gebrek aan ervaring en kennis of mensen die niet op de hoogte zijn van deze instructies, het gebruik van deze machine nooit toe.**
- **De bediener of gebruiker is verantwoordelijk voor ongevallen of gevaren die zich bij ander personen of hun eigendommen voordoen.**

VOORBEREIDING

- **Het elektrisch gereedschap kan in regen of onder vochtige omstandigheden worden gebruikt. Droog het elektrisch gereedschap af na het werk.**
- **Voor gebruik, controleer de batterijen of accupacks op schade.** Gebruik het apparaat niet als de batterijen of het accupack beschadigd is.

GEBRUIK

- **Het elektrisch gereedschap kan in regen of onder vochtige omstandigheden worden gebruikt. Droog het elektrisch gereedschap af na het werk.**
- **Ontkoppel de batterijen of accupacks:**
 1. Wanneer u het apparaat zonder toezicht achterlaat;
 2. Voor het verwijderen van een verstopping;

3. Voor het controleren, reinigen of onderhouden van het apparaat;

4. Als het apparaat overmatig trilt.

- **Let op uw houding als u het apparaat op hellingen gebruikt.**
- **Altijd lopen, nooit rennen.**
- **Houd alle ventilatieopeningen vrij van vuil.**
- **Het is aanbevolen om het apparaat alleen op redelijke uren te gebruiken – niet vroeg in de morgen of laat in de avond, zodat de burens niet worden gestoord.**
- **Het is aanbevolen om de oppervlakken in een stoffige omgeving eerst lichtjes vochtig te maken of een nevelopzetstuk te gebruiken.**

⚠ WAARSCHUWING: Gevaar voor roterende onderdelen!

- **Gebruik het mondstuk zodat de luchtstroom dicht bij de grond kan werken.**
- **Gebruik de machine niet in de buurt van open ramen etc.**

ONDERHOUD EN OPSLAG

- **Zorg dat alle moeren, bouten en schroeven altijd stevig vastgedraaid zijn om een veilige werking van het apparaat te waarborgen.**
- **Vervang versleten of beschadigde onderdelen.**
- **Gebruik alleen originele reserve-onderdelen en toebehoren.**
- **Berg het apparaat alleen op in een droge ruimte.**

⚠ WAARSCHUWING: Om het risico op brand, elektrische schok of lichamelijk letsel te beperken:

BELANGRIJK

LEES GRONDIG VOOR GEBRUIK.

BEWAAR VOOR LATERE RAADPLEGING.

- **Gebruik de bladblazer niet als speelgoed. Houd toezicht wanneer gebruikt door of in de buurt van kinderen.**
- **Lever de bladblazer in bij een bevoegd servicecentrum als deze niet naar behoren werkt, gevallen of beschadigd is of in water is gevallen.**

- **Steek geen voorwerpen in de openingen. Gebruik het apparaat niet als er een opening belemmerd is. Houd de openingen vrij van stof, pluïsjes, haar en andere stoffen die de luchtstroom doen afnemen.**
- **Wees voorzichtig wanneer u trappen reinigt.**
- **Laat de bladblazer niet zonder toezicht achter wanneer de accustekker is aangesloten. Haal de accu uit de bladblazer wanneer deze niet in gebruik is, alsmede tijdens onderhoud.**
- **Raak de oplader, waaronder de stekker of aansluitklemmen, niet met natte handen aan.**
- **Laad de accu niet buitenshuis op.**

⚠ WAARSCHUWING:

- Haal het accupack uit het gereedschap alvorens het gereedschap af te danken.
- Gooi het accupack op een veilige manier weg.

- **PROBEER NIET** om verstoppingen te verwijderen terwijl de accu zich nog in het apparaat bevindt.
- **Houd de accublazblazer en het handvat droog, schoon en vrij van olie en smeervet. Gebruik alleen een schone doek om het apparaat te reinigen.** Maak uw bladblazer nooit schoon met een reinigingsmiddel, benzine of producten op basis van aardolie of andere agressieve oplosmiddelen. Door deze regel op te volgen beperkt u het risico op controleverlies en aantasting van de kunststof behuizing.
- **Accu's kunnen exploderen in de aanwezigheid van een ontstekingsbron, zoals een waakvlam.** Om het risico op ernstig persoonlijk letsel te beperken, mag u nooit een snoerloos product in de aanwezigheid van een open vlam gebruiken. Een geëxplodeerde batterij kan vuil en chemische stoffen vrijgeven. Mocht u hieraan worden blootgesteld, dient u het onmiddellijk met water af te spoelen.
- **Gebruik het apparaat nooit zonder correct geplaatste opzetstukken.** Zorg dat de blaasbuis altijd op een correcte manier is geïnstalleerd.
- **Gebruik de bladblazer nooit in de buurt van vuur of hete as.** Gebruikt u het apparaat in de buurt van vuur of as dan kan het vuur verspreiden en ernstig letsel en/of schade aan eigendommen veroorzaken.
- **Gebruik de bladblazer nooit voor het verspreiden van chemicaliën, meststoffen of andere giftige stoffen.** Het verspreiden van dit soort stoffen kan leiden tot ernstig letsel aan de gebruiker of omstanders.

- **Bewaar deze gebruiksaanwijzing. Raadpleeg de gebruiksaanwijzing indien nodig en gebruik deze om andere personen die dit apparaat zullen gebruiken te instrueren.** Als u dit apparaat aan iemand anders geeft, geef hem/haar dan in ieder geval ook de gebruiksaanwijzing mee om verkeerd gebruik en mogelijk letsel te voorkomen.

BEWAAR DEZE GEBRUIKSAANWIJZING!

SPECIFICATIES

Spanning	56 V
Maximale Luchtvolume	1020 m³/h
Maximale lichtsnelheid	232 km/h
Maximale blaaskracht	19 N
Aanbevolen bedrijfstemperatuur	-15°C-40°C
Aanbevolen opslagtemperatuur	-20°C-70°C
Gemiddelde gebruiksduur (met EGO 56V accu 5,0 Ah)	15 min (Boost)
	22 min (Hoge snelheid)
	120 min (Lage snelheid)
Gewicht bladblazer (zonder accupack, met buis)	5,7 kg
Gemeten geluidsvermogensniveau L_{WA}	94,6 dB(A) K=0,8 dB(A)
Geluidsdruk niveau aan het oor van de bediener L_{PA}	82 dB(A) K=2,5 dB(A)
Gegarandeerd geluidsvermogensniveau L_{WA} (gemeten volgens 2000/14/EG)	95 dB(A)
Vibratie a_n	0,522 m/s² K=1,5 m/s²

- De opgegeven totale vibratiewaarde is gemeten volgens de standaard testmethode en kan worden gebruikt om het apparaat met een ander apparaat te vergelijken;
- De opgegeven totale vibratiewaarde kan ook worden gebruikt in een voorafgaande beoordeling op blootstelling.

OPMERKING: De vibratie-afgifte tijdens het werkelijk gebruik van het elektrisch gereedschap kan verschillen van de opgegeven totale waarde; Om de bediener te beschermen dient de gebruiker tijdens het gebruik handschoenen en gehoorbescherming te dragen.

INHOUD VAN DE VERPAKKING

OMSCHRIJVING VAN DE ONDERDELEN	AANTAL
Bladblazer	1
Blaasbuis	3
Gebruiksaanwijzing	1

BESCHRIJVING

NL

KEN UW BLADBLAZER (afb. A & B)

1. Handvat
2. Accuvrijgaveknop
3. Vergrendeling
4. Elektrische contacten
5. Uitwerpmechanisme
6. Luchtinlaat
7. Voortste buis (Gebogen plat mondstuk)
8. Luchtuitlaat
9. Voortste buis (Cilindrisch mondstuk)
10. Middelste buis
11. Bedienhandgreep
12. Instelbaar ondersteunend harnas
13. Blaasbuis opslagknop
14. Boost-knop
15. Snelheids-/vergrendelingsknop
16. Knop voor de luchtsnelheid
17. Vleugelmoer
18. Groef van de inhaakbuis

⚠ WAARSCHUWING: Om dit product op een veilige manier te gebruiken moet men zowel de informatie vermeld op het apparaat en in deze gebruikershandleiding goed begrijpen alsmede een goede kennis hebben van de taak die u wilt uitvoeren. Voordat u dit product gebruikt, maak u zich vertrouwd met alle gebruiksfuncties en veiligheidsvoorschriften.

MONTAGE

⚠ WAARSCHUWING: Als er onderdelen beschadigd zijn of ontbreken, gebruik dit product niet totdat alle onderdelen vervangen of aanwezig zijn. Dit product gebruiken met beschadigde of ontbrekende onderdelen kan ernstig persoonlijk letsel veroorzaken.

⚠ WAARSCHUWING: Probeer niet om dit product aan te passen of accessoires te maken die niet voor gebruik met deze bladblazer zijn aanbevolen. Een dergelijke aanpassing of wijziging is misbruik en kan leiden tot gevaar en een ernstig persoonlijk letsel.

⚠ WAARSCHUWING: Om het toevallig starten van het apparaat, dat ernstig persoonlijk letsel kan veroorzaken, te voorkomen, verwijder altijd de accu uit het apparaat voordat u onderdelen monteert.

DE BLAASBUIZEN MONTEREN

1. Er zijn drie buizen voor de blower; twee voorbuizen (een cilindrische buis en een gebogen vlakke buis) en een middenbuis (Afb. C).
2. Maak eerst de cilindrische buis op de middenbuis vast. Stem de groeven in de cilindrische buis af op de knop op de middenbuis (Afb. D).
3. Druk de middelste buis verder totdat de knop vast klikt in één van de groeven. Draai vervolgens de middelste buis in de richting van de pijl totdat de knop in de vergrendelingspositie schuift (afb. E).

Afb. C & D beschrijving van de onderdelen zie beneden:

C-1	Cilindrisch mondstuk	D-1	Knop
C-2	Gebogen plat mondstuk	D-2	Groeven voor verschillende vergrendelingsposities
C-3	Middelste buis		

OPMERKING: Voordat de middelste buis wordt vergrendeld tijdens de rotatie, merkt u een ingebouwde blokkering die een beetje weerstand biedt. Draai de buis verder door totdat hij volledig in de vergrendelingspositie zit.

4. U kunt de buis instellen qua lengte, afhankelijk van uw voorkeur, door de middelste buis in verschillende vergrendelingsposities te vergrendelen (afb. F).

Afb. F beschrijving van de onderdelen zie beneden:

F-1	Vergrendeld in de eerste positie
F-2	Vergrendeld in de tweede positie

5. Bevestig de gemonteerde buis op dezelfde manier op de behuizing van de bladblazer (afb. G).

Volg dezelfde volgorde om de gebogen vlakke buis met de blower te monteren.

6. Om de gemonteerde buis van de behuizing van de bladblazer te halen, of om de twee buizen van elkaar te scheiden, draait u eerst de buis in de ontgrendelingsrichting om de lus los te maken en vervolgens trekt u de buis er recht vanaf.

GEBRUIK

⚠ WAARSCHUWING: Vertrouwdheid kan leiden tot onvoorzichtigheid. Opgelet, één seconde van onvoorzichtigheid kan ernstig letsel teweegbrengen.

⚠ WAARSCHUWING: Gebruik geen opzetstukken of toebehoren die niet door de fabrikant van dit product zijn aanbevolen. Het gebruik van niet aanbevolen opzetstukken of toebehoren kan leiden tot ernstig persoonlijk letsel.

⚠ WAARSCHUWING: Verwijder altijd het accupack uit het product wanneer u onderdelen monteert, aanpassingen uitvoert, het product reinigt of wanneer niet in gebruik. Het verwijderen van het accupack voorkomt een toevallige inschakeling dat ernstig persoonlijk letsel kan veroorzaken.

Voor elk gebruik dient u het complete product op beschadigingen, missende of los zittende onderdelen zoals schroeven, moeren, bouten, doppen etc. te controleren. Draai alle bevestigingen en doppen goed vast en gebruik dit product niet totdat alle missende of beschadigde onderdelen zijn vervangen.

OPMERKING: Als er sprake is van een noodgeval, dient u de borst riem direct los te maken om de bladblazer af te doen.

TOEPASSING

U kunt dit product gebruiken voor onderstaand vermelde doeleinden:

- Reinigen van harde oppervlakken zoals opritten en paden.
- Houd terrassen en opritten vrij van bladeren en dennennaalden.

OPMERKING: Het gereedschap mag alleen voor het voorheen genoemde doeleinde worden gebruikt. Ieder ander gebruik is in dit geval misbruik.

INSTALLEREN/VERWIJDEREN VAN HET ACCUPACK

VOOR DE EERSTE INGEBRUIKNAME OPLADEN.

Gebruik alleen met in afb. A vermelde accupacks en opladers.

OPMERKING: Voor de beste prestatie, raden wij aan de EGO 56V accu BA2800 (5.0Ah) of EGO 56V accu met een hogere capaciteit te gebruiken

■ Installeren(afb. H)

Breng de geleiders van de accu overeen met de montagesleuven en druk het accupack naar beneden totdat u "klik" hoort.

■ Verwijderen(afb. I)

Druk de accu-ontgrendelingsknop naar beneden en trek het accupack eruit.

⚠ WAARSCHUWING: Houd altijd rekening met de positie van uw voeten, kinderen of huisdieren die zich in de buurt bevinden in het oog wanneer u op de accuvrijgaveknop drukt. Ernstig letsel kan zich voordoen wanneer het accupack valt. Haal de accu NOOIT uit het apparaat wanneer u zich op een hoge positie bevindt.

POSITIONEREN VAN DE RUGZAK BLADBLAZER

⚠ WAARSCHUWING: Draag gepaste kleding om het risico op letsel tijdens gebruik van dit gereedschap te beperken. Draag geen loshangende kleding of juwelen. Draag oog- en oorbescherming. Draag een stevige lange broek, laarzen en handschoenen. Draag geen korte broek of sandalen of ga niet blootsvoets.

Het ondersteunende harnas instellen

1. Steek uw armen door de rugzakriemen om de bladblazer op uw rug te positioneren.
2. Pas tijdelijk beide schouderriemen aan zodat ze comfortabel zitten (afb. J). Zorg ervoor, dat uw ellebogen prettig zitten.
3. Bevestig de borstgesp en stel de lengte indien nodig in (afb. K).
4. Bevestig de heupgesp en stel de lengte in, zodat de rugzak goed wordt ondersteund door uw heupen (afb. L & M).

OPMERKING: De rugzak mag niet te hoog op uw rug zitten; hij dient dicht bij de heupen dan bij de schouders te zitten.

5. Stel de schouderriemen opnieuw in voor uw veiligheid en comfort. Zorg ervoor, dat de rugzak veilig op uw rug zit, waarbij het gewicht wordt ondersteund door de heupriem en zonder te grote beweging als u beweegt (afb. N).
6. Mocht er nog een stuk riem over zijn rond de middel, kunt u deze tussen het elastiek aan één van beide zijden steken (afb. O).
7. Om het gereedschap weer los te maken van uw rug, drukt u gewoon op de heup- en borstgespen om deze los te maken en laat u het gereedschap zakken (afb. P).

Knop voor de luchtsnelheid alleen

- Druk de knop voor de luchtsnelheid om de bladblazer in te schakelen.
- De luchtsnelheid van de bladblazer wordt met behulp van de variabele snelheidsregelaar ingesteld. Meer druk op de knop resulteert in een hogere blaassnelheid; minder druk op de knop resulteert in een geringere blaassnelheid. Pas de snelheid aan de uit te voeren werkzaamheden aan.
- Laat de knop voor de luchtsnelheid los om de bladblazer uit te schakelen.

NL

Snelheids-/vergrendelingsknop alleen

De bladblazer kan worden ingeschakeld en vergrendeld op iedere willekeurige snelheid met behulp van de snelheids-/vergrendelingsknop.

- Draai de snelheids-/vergrendelingsknop met de klok mee om de bladblazer te starten. De luchtsnelheid neemt toe als de knop verder met de klok mee wordt gedraaid.
- Om de luchtsnelheid te verminderen, draait u de snelheids-/vergrendelingsknop tegen de klok in...Draai de snelheids-/vergrendelingsknop zolang tegen de klok in totdat de bladblazer zich in de uit-positie bevindt.
- Draai de snelheids-/vergrendelingsknop zolang tegen de klok in totdat de bladblazer zich in de uit-positie bevindt.

Opmerking: Als de snelheids-/vergrendelingsknop niet terug wordt gezet op de uit-positie voordat u de bladblazer inschakelt, start de bladblazer niet als gevolg van de snelheids-/vergrendelingsknop als er een opgeladen accu is geïnstalleerd. Dit is een veiligheidskenmerk om een ongewenste start te voorkomen. Door het indrukken van de luchtsnelheidsknop wordt de bescherming gedeactiveerd.

Door op de boost-knop te drukken terwijl u aan het werken bent, verhoogt tijdelijk de luchtsnelheid op een maximum niveau. De bladblazer keert terug naar de eerder ingestelde snelheid zodra deze knop wordt losgelaten.

Afb. U beschrijving van de onderdelen zie beneden:

U-1	Snelheids-/vergrendelingsknop	U-3	Knop voor de luchtsnelheid
U-2	Boost-knop		

TIPS VOOR HET GEBRUIK VAN DE BLADBLAZER

- Om het verspreiden van vuil te voorkomen, blaas rond de buitenrand van de vuilstapel. Blaas nooit direct in het midden van de stapel.

- Om het geluidsniveau te houden, beperk het aantal apparaten dat tegelijkertijd wordt gebruikt.
- Gebruik een hark of bezem om het afval los te maken voordat u het wegblaast. In een stoffige omgeving, maak het oppervlak lichtjes nat als geval water aanwezig is.
- Let op voor kinderen, huisdieren, open vensters of pas gewassen auto's. Blaas het vuil op een veilige manier weg.
- Na gebruik van een bladblazer of ander apparaat, ruim het vuil op! Gooi het vuil op een correcte manier weg.
- Het is niet aan te bevelen de blazer gedurende een lange periode op hoogste snelheid te gebruiken, aangezien sterke trillingen en geluid schadelijk kunnen zijn voor uw gezondheid.

ONDERHOUD

WAARSCHUWING: Bij reparatie, gebruik uitsluitend identieke reserve-onderdelen. Het gebruik van andere onderdelen kan gevaar opleveren of schade aan het product veroorzaken. Laat alle reparaties uitvoeren door een vakbekwame reparateur om een continue veiligheid en betrouwbaarheid te waarborgen.

WAARSCHUWING: Om ernstig persoonlijk letsel te voorkomen dient u het accupack voor de reiniging of het onderhoud altijd uit het product te halen.

ALGEMEEN ONDERHOUD

Maak de kunststof onderdelen niet schoon met oplosmiddelen. De meeste kunststoffen kunnen worden beschadigd wanneer ze in contact komen met commerciële oplosmiddelen. Gebruik een schone doek voor het verwijderen van vuil, stof, olie, smeer, etc.

WAARSCHUWING: Zorg dat remvloeistoffen, benzine, producten op basis van aardolie, oliën, etc. op geen enkel moment met de kunststof onderdelen in aanraking komen. Chemicaliën kunnen de kunststof onderdelen beschadigen, verzwakken of vernietigen en ernstig persoonlijk letsel veroorzaken.

OPSLAG

- Haal het accupack uit de bladblazer.
- Verwijder alle vreemde materialen uit de luchtinlaten van de bladblazer.
- Breng de opslagknop van de buis van de bladblazer in één lijn met de ophanggroef van de buis en haak de buis van de bladblazer op de behuizing van het accupack (afb. V & W).
- Berg binnenshuis op in een ruimte die voor kinderen ontoegankelijk is. Houd uit de buurt van corrosieve middelen, zoals tuinchemicaliën en strooizout.

Afb. V beschrijving van de onderdelen zie beneden:

V-1	Bladblazerbuis opslagknop
V-2	Groef van de inhaakbuis

Het milieu beschermen



Gooi geen elektrische apparaten, acculaders en accu's/oplaadbare batterijen met het huisafval weg!

Elektrische en elektronische apparaten, in overeenstemming met de Europese wet 2012/19/EG, en defecte of verbruikte accupacks/batterijen, in overeenstemming met 2006/66/EG, moeten afzonderlijk worden ingezameld en op een milieuvriendelijke manier afgedankt worden.

Als elektrische apparaten op een stortterrein of vuilnisbelt terechtkomen, kunnen gevaarlijke stoffen in het grondwater lekken en in de voedselketen komen wat schadelijk is voor uw gezondheid en welzijn.

NL

PROBLEEMOPLOSSING

NL

PROBLEEM	OORZAAK	OPLOSSING
De accublader werkt niet.	<ul style="list-style-type: none"> ■ De accu is niet op de accublader aangesloten. ■ Er is geen elektrisch contact tussen de accublader en accu. ■ De accu is uitgeput ■ De accu of accublader is te warm. ■ De snelheids-/vergrendelingsknop werd niet teruggezet op de uitpositie voordat de blader werd ingeschakeld. 	<ul style="list-style-type: none"> ■ Sluit de accu op de accublader aan. ■ Verwijder de accu, controleer de aansluitklemmen en plaats de accu terug. ■ Laad de accu op. ■ Koel de accu en accublader af totdat de temperatuur lager dan 67°C is. ■ Druk de knop voor de lichtsnelheid om de bescherming te deactiveren en start de blader of draai de snelheids-/vergrendelingsknop eerst naar de uitpositie.
De lichtsnelheid is aanzienlijk lager.	<ul style="list-style-type: none"> ■ Buitensporige slijtage van de motorventilator. ■ De luchtinlaat is verstopt door vuil. 	<ul style="list-style-type: none"> ■ Neem contact op met het servicecentrum van EGO voor reparatie. ■ Haal de accu uit en verwijder het vuil.
De blader stopt met het werken op booster-snelheid.	<ul style="list-style-type: none"> ■ De blader heeft een hoge stroom van de accu getrokken en wisselt naar de zelfbeschermende modus. 	<ul style="list-style-type: none"> ■ Schakel de keuzeschakelaar uit en herstart de blader vervolgens nadat het accu-led is uitgegaan. Verwijder de accu en sluit het accupack aan om de blader te herstarten.

GARANTIE

EGO GARANTIEVOORWAARDEN

Bezoek onze website egopowerplus.com voor alle voorwaarden van de EGO garantie.

LÆS ALLE ANVISNINGER!



LÆS BRUGSANVISNINGEN

BEMÆRK: Disse anvisninger skal også være tilgængelige i et alternativt format, f.eks. på et websted.

⚠ Særlig risiko! Folk med elektroniske anordninger, såsom pacemakere, bør spørge deres læge til råds, før de bruger dette produkt. Betjening af elektrisk udstyr i umiddelbar nærhed af en pacemaker kan forårsage forstyrrelser eller svigt af pacemakeren.

⚠ ADVARSEL: For at sikre sikkerhed og pålidelighed, bør alle reparationer og udskiftninger udføres af en kvalificeret servicetekniker.

SIKKERHEDSSYMBOLER

Formålet med sikkerhedssymboler er at gøre dig opmærksom på mulige farer. Du bør være meget opmærksom på sikkerhedssymboler og forklaringer til dem og lære at forstå dem. Symboladvarsler fjerner ikke i sig selv eventuelle farer. Anvisningerne og advarslerne er ingen erstatning for korrekte forebyggelsesforanstaltninger mod ulykker.

⚠ ADVARSEL: Sørg for at læse og forstå alle sikkerhedsanvisninger i denne brugsanvisning, inklusive alle sikkerhedssymboler, såsom "FARE", "ADVARSEL" og "FORSIGTIGHED", før du bruger dette værktøj. Hvis du ikke følger advarsler og anvisninger, kan det resultere i elektrisk stød, brand og/eller alvorlig personskade.

FOREBYGGELSE AF ØDELÆGGELSER OG INFORMATIONSBEKEDER

Disse informerer brugeren om vigtige oplysninger og/eller anvisninger, der kan føre til skader på udstyr eller anden ejendom, hvis de ikke følges. Hver meddelelse indledes med ordet "BEMÆRK", som i eksemplet nedenfor:

BEMÆRK: Der kan ske skade på udstyr og / eller ejendom, hvis disse anvisninger ikke følges.



⚠ ADVARSEL: Brugen af et elværktøj kan resultere i, at du får fremmedlegemer i øjnene, hvilket kan give alvorlige øjenskader. Inden du begynder at bruge et elværktøj, skal du altid bære beskyttelsesbriller eller sikkerhedsbriller med sidebeskyttelse og om nødvendigt en fuld ansigtsmaske. Vi anbefaler en maske med bredt udsyn til brug over briller eller standardsikkerhedsbriller med sidebeskyttelse.

SIKKERHEDSANVISNINGER

Denne side viser og beskriver sikkerhedssymboler, der kan forekomme på dette produkt. Læs, forstå, og følg alle anvisninger på apparatet, før du forsøger at samle og betjene det.

	Sikkerhedsvarsel	Forsigtighedsregler for din sikkerhed.
	Bær beskyttelsesbriller	Bær altid beskyttelsesbriller eller sikkerhedsbriller med sidebeskyttelse og om nødvendigt en fuld ansigtsmaske.
	Brug hørevern	Bær altid hørevern, når du betjener dette produkt.
	Læs brugsanvisningen	For at reducere risikoen for skade, skal brugeren læse brugervejledningen.
	Hold omkringstående på afstand	Hold alle omkringstående mindst 15m væk.
V	Volt	Spænding
A	Ampere	Strøm
Hz	Hertz	Frekvens (cyklusser pr. sekund)
W	Watt	Effekt
min	Minutter	Tid
m ³ /h	Kubikmeter pr. time	Luftmængde
km/h	Kilometer pr. time	Lufthastighed
	Vekselstrøm	Type spænding
	Jævnstrøm	Type af eller egenskab for strøm
n ₀	Hastighed uden belastning	Rotationshastighed, uden belastning
.../min	Pr. minut	Omdrejninger pr. minut

Ved brug af et elektrisk apparat bør grundlæggende forholdsregler altid følges, herunder følgende:

DK

ALMINDELIGE SIKKERHEDSADVARSLER FOR ELVÆRKTØJ

⚠ ADVARSEL: LÆS ALLE SIKKERHEDSADVARSLER, ANVISNINGER, BILLEDER OG SPECIFIKATIONER, DER FØLGER MED DETTE VÆRKTØJ. Hvis anvisningerne nedenfor ikke følges, kan det føre til elektrisk stød, brand og/eller alvorlig personskade

Gem alle advarsler og anvisninger til fremtidig brug.

Udtrykket "elværktøj" i advarslerne refererer til dit lysnetdrevne (med ledning) elværktøj eller batteridrevne (ledningsfrie) elværktøj.

SIKKERHED I ARBEJDSOMRÅDET

- **Hold arbejdsområdet rent og godt oplyst.** Rodede eller uoplyste arbejdsområder inviterer til ulykker.
- **Brug ikke elværktøj i eksplosive atmosfærer, såsom i nærheden af brændbare væsker, benzin eller støv.** Elektrisk værktøj skaber gnister, der kan antænde støv eller dampe.
- **Hold børn og omkringstående på afstand, mens du betjener et elværktøj.** Forstyrrelser kan medføre, at du mister kontrollen.

ELEKTRISK SIKKERHED

- **Stik på elværktøj skal passe til stikkontakten.** Lav aldrig om på stikket på nogen måde. **Brug ikke adapterstik sammen med jorden (jordforbundet) elværktøj.** Uændrede stik og passende stikkontakter reducerer risikoen for elektrisk stød.
- **Undgå kropskontakt med jordforbundne overflader, såsom rør, radiatorer, komfurer og køleskabe.** Der er en øget risiko for elektrisk stød, hvis din krop bliver jordforbundet.
- **Udsæt ikke elværktøj for regn eller våde forhold.** Vand i et elværktøj øger risikoen for elektrisk stød.
- **Du må ikke mishandle ledningen.** Brug aldrig ledningen til at bære eller trække apparatet eller trække stikket ud. **Hold ledningen væk fra varme, olie, skarpe kanter eller bevægelige dele.** Beskadigede eller sammenfiltrede ledninger øger risikoen for elektrisk stød.
- **Når maskinen benyttes udendørs, skal du bruge en forlængerledning til udendørs brug.** Brug af en forlængerledning til udendørs brug nedsætter risikoen for elektrisk stød.

- **Hvis det ikke kan undgås at benytte apparatet i fugtige omgivelser, så brug et stik med jordfejlsfejlstømsrelæ.** Anvendelse af jordfejlsfejlstømsrelæ reducerer risikoen for elektrisk stød.

PERSONLIG SIKKERHED

- **Vær opmærksom, se, hvad du laver, og brug sund fornuft, når du benytter et elværktøj.** Brug ikke apparatet, hvis du er træt eller er påvirket af narkotika, alkohol eller medicin. Et øjeblikvis uopmærksomhed ved brug af maskinen kan føre til alvorlige personskader.
- **Brug personlige værnemidler. Bær altid beskyttelsesbriller.** Værnemidler, såsom støvmaske, skridsikre sikkerhedssko, hjelm eller høreværn, der anvendes under passende betingelser, nedsætter risikoen for personskade.
- **Forebyg utilsigtet start. Sørg for kontakten er i slukket position før værktøjet tilsluttes til strømkilde og/eller batteripakke, samles op eller bæres.** Hvis du bærer elværktøj med fingeren på kontakten eller sætter strøm til elværktøj, der har kontakten tændt, beder du om ulykker.
- **Fjern indstillingsværktøj eller skruenøgler, før det elektriske værktøj startes.** En skruenøgle eller andet værktøj, der sidder i en roterende del af elværktøjet, kan give personskade.
- **Læn dig ikke for langt forover. Stå ordentlig fast og vær hele tiden i balance.** Dette giver bedre kontrol over elværktøjet i uventede situationer.
- **Fornuftig påklædning. Bær ikke løst tøj eller smykker. Hold dit hår, tøj og handsker væk fra bevægelige dele.** Løst tøj, smykker eller langt hår kan blive fanget i bevægelige dele.
- **Hvis der er installeret anordninger for tilslutning af støvudsugnings- og opsamlingsudstyr, så sørg for, at dette tilsluttes og anvendes korrekt.** Anvendelse af støvanordninger kan reducere støvrelaterede risici.
- **Selvom du ofte bruger og har et godt kendskab til værktøjer, må du ikke være overmodig eller glemme sikkerhedsprincipperne.** En uagtsom handling kan forårsage alvorlig skade i en brøkdæl af et sekund.

BRUG OG PLEJE AF ELVÆRKTØJ

- **Tving ikke elværktøj. Brug det korrekte elværktøj til det, du skal lave.** Det korrekte elværktøj vil gøre arbejdet bedre og mere sikkert ved den hastighed, som det er beregnet til.
- **Brug ikke elværktøjet, hvis kontakten ikke tænder og slukker.** Et apparat, hvor kontakten ikke dur, er farligt og skal repareres.

DK

- **Træk stikket til apparatets strømforsyning ud af stikkontakten og/eller batteripakken, inden du foretager justeringer, skifter tilbehør eller lægger den til opbevaring.** Sådanne forebyggende sikkerhedsforanstaltninger reducerer risikoen for at starte det elektriske værktøj utilsigtet.
- **Opbevar ubenyttet elværktøj utilgængeligt for børn, og tillad ikke personer, der ikke kender elværktøjet eller disse anvisninger at betjene elværktøjet.** Elværktøj er farligt i hænderne på utrænede brugere.
- **Vedligehold elværktøjet. Kontrollér, at de bevægelige dele ikke er fejjusterede eller binder eller er i en tilstand, der kan påvirke elværktøjets drift. Få det beskadigede elværktøj repareret før brug.** Mange ulykker forårsages af dårligt vedligeholdt elværktøj.
- **Hold skærende værktøj skarpt og rent.** Omhyggeligt vedligeholdt skæreværktøj med skarpe skærekanter er mindre tilbøjelige til at binde og er lettere at styre.
- **Brug elværktøj, tilbehør og bits osv. i overensstemmelse med disse anvisninger, under hensyntagen til arbejdsforholdene og det arbejde, der skal udføres.** Anvendelse af værktøjet til andre formål end dem, de er beregnet til, kan medføre en farlig situation.
- **Hold håndtag og gribeblader tørre, rene og fri for olie og fedt.** Glatte håndtag og glatte overflader, der holdes i, gør værktøjet farligt at bruge i uventede situationer.

BATTERIVÆRKTØJETS BRUG OG PLAJE

- **Oplad kun med de opladere, der er anført af fabrikanten.** En oplader, der er velegnet til én type batteripakke, kan øge risikoen for brand, når den bruges med en anden batteripakke.
- **Anvend kun elværktøj med specifikt anviste batteripakker.** Brug af andre batteripakker kan skabe risiko for personskade og brand.
- **Når batteripakken ikke er i brug, skal den holdes væk fra andre metalgenstande som papirclips, mønter, nøgler, søm, skruer eller andre små metalgenstande, der kan skabe forbindelse fra en pol til en anden.** Kortslutning af batteripolerne kan forårsage forbrændinger eller brand.
- **Ved forkert anvendelse kan der slippe væske fra batteriet; undgå kontakt.** Kommer man uheldigvis i kontakt med væsken: Skyl med vand. Hvis væsken kommer i øjnene, skal man også søge læge. Væskesprøjt fra batteriet kan forårsage irritation eller forbrændinger.
- **Anvend ikke et batteri eller et værktøj, der er beskadiget eller modificeret.** Beskadigede eller

modificerede batterier kan opføre sig uforudsigeligt og forårsage brand, eksplosion eller risiko for personskade.

- **Udsæt ikke et batteri eller et værktøj for ild eller for høj temperatur.** Udsættelse for ild eller temperaturer over 130 °C kan forårsage eksplosion.
- **Følg alle anvisninger vedrørende opladning, og oplad ikke batteriet eller værktøjet uden for temperaturområdet angivet i anvisningerne.** Forkert opladning eller temperaturer uden for det angivne område kan beskadige batteriet og øge risikoen for brand.

SERVICE

- **Har Elektrisk værktøj skal serviceres af en kvalificeret reparatør kun bruger originale reservedele.** På denne måde sikrer man, at elværktøjet forbliver sikkert at bruge.
- **Udfør aldrig selv service på beskadigede batterier.** Service på batterier bør kun udføres af producenten eller godkendte servicecentre.

LÆS ALLE ANVISNINGER, FØR APPARATET TAGES I BRUG!

TRAINING

- **Lad aldrig børn, personer med nedsatte fysiske, sensoriske eller mentale evner eller manglende erfaring og viden, eller folk der ikke kender disse instruktioner bruge apparatet.**
- **Brugeren er ansvarlig for eventuelle ulykker eller farer for andre personer eller deres ejendom.**

FORBEREDELSE

- **Elværktøj kan bruges i regn og våde forhold. Tør elværktøjet af efter brug.**
- **Før brug skal du kontrollere batterier eller batteripakker for skader.** Brug ikke apparatet, hvis batterierne eller batteripakken er beskadiget.

BETJENING

- **Elværktøj kan bruges i regn og våde forhold. Tør elværktøjet af efter brug.**
- **Afbryd batterier eller batteripakker:**
 1. Når du forlader apparatet
 2. Inden fjernelse af en blokering;
 3. Før du kontrollerer, rengør eller arbejder på apparatet

DK

4. Hvis apparatet begynder at vibrere unormalt.

- Sørg altid for godt fodfæste på skrånede overflader.
- Gå, aldrig løbe.
- Hold alle køleluftindtag fri for snavs.
- Det anbefales kun at benytte apparatet på rimelige tidspunkter - ikke tidligt om morgenen eller sent om aftenen, når det kan forstyrre folk.
- Det anbefales at fugte overflader, hvis der er støvet, eller bruge forstøvtilbehør.

⚠ ADVARSEL: Fare for roterende dele!

- Lad blæserdysen være fuldt udvidet, så luftstrømmen kan arbejde tæt på jorden.
- Brug ikke maskinen i nærheden åbne vinduer mv.

VEDLIGEHOLDELSE OG OPBEVARING

- Hold alle møtrikker, bolte og skruer stramme for at være sikker på, at apparatet er i sikker stand.
- Udskift slidte eller beskadigede dele.
- Brug kun originale reservedele og tilbehør.
- Opbevar kun apparatet på et tørt sted.

⚠ ADVARSEL: For at reducere risikoen for brand, elektrisk stød, eller tilskadekomst:

VIGTIG

LÆS OMHYGGELIGT FØR BRUG.

GEM TIL FREMTIDIGE REFERENCE.

- Lad ikke løvblæseren blive brugt som legetøj. Man skal være særligt opmærksom, når den anvendes af eller i nærheden af børn.
- Hvis løvblæseren ikke fungerer som den skal, er blevet tabt, beskadiget eller faldet i vandet, returneres den til et servicecenter.
- Put ikke genstande i åbninger i apparatet. Må ikke anvendes med nogen åbning blokeret; hold åbninger fri for støv, frug, hår, og noget, der kan reducere luftstrømmen.
- Vær ekstra forsigtig ved rengøring på trapper.
- Efterlad ikke løvblæseren uden opsyn, når batteristykket er isat. Fjern batteriet, når løvblæseren ikke er i brug og før service.

- Rør ikke ved opladeren, herunder opladerens stik eller opladerens terminaler med våde hænder.

- Oplad ikke batteriet udendørs.

⚠ ADVARSEL:


- Batteripakken skal fjernes fra apparatet, inden det bortskaffes.

- Batteriet skal bortskaffes på sikker måde.

- Forsøg IKKE at fjerne fastsiddende klumper fra apparatet uden først at fjerne batteriet.
- Hold blæseren og dens håndtag tørre, rene og fri for olie og fedt. Brug altid en ren klud ved rengøring. Brug aldrig bremsevæske, benzin, oliebaserede produkter eller andre kraftige opløsningsmidler til rengøring af blæseren. Hvis denne regel følges, vil det mindske risikoen for tab af kontrol og ødelæggelse af plastikkabinettet.
- Batterier kan eksplodere i nærheden af en antændelseskilde, såsom en flamme. For at reducere risikoen for alvorlig personskade, bør man aldrig bruge ledningsfrie produkter i nærheden af åben ild. Et eksploderet batteri kan sende snavs og kemikalier i alle retninger. Ved udsættelse herfor skylles straks med vand.
- Brug aldrig apparatet, uden at det rette udstyr er monteret. Sørg altid for, at blæserrøret er sat på.
- Brug aldrig løvblæseren nær ild eller varm aske. Brug nær ild eller aske kan sprede ilden og medføre alvorlig skade på personer eller ejendom.
- Brug aldrig løvblæseren til at sprede kemikalier, gødning eller andre giftige stoffer. Spredning disse stoffer kan medføre alvorlig skade på operatøren eller omkringstående.
- Gem disse vejledninger. Brug dem regelmæssigt, og brug dem til at instruere andre, der skal bruge dette værktøj. Hvis du låner nogen dette værktøj, så lad dem også få anvisningerne med, så de undgår fejlbrug af produktet og mulig personskade.

GEM DISSE VEJLEDNINGER!

SPECIFIKATIONER

Spænding	56 V 
Den maksimale luftmængde	1020 m³/t
Den maksimale lufthastighed	232 km/t
Maks. blæserstyrke	19 N

Anbefalet driftstemperatur	-15°C-40°C
Anbefalet opbevaringstemperatur	-20°C-70°C
Anslået driftstid (med EGO 56V batteri 5,0 Ah)	15 min. (Boost)
	22 min. (høj hastighed)
	120 min. (lav hastighed)
Løvblæserens vægt (uden batteripakke, med blæserør)	5,7 kg
Målt lydeffektniveau L_{WA}	94,6 dB(A) K=0,8 dB(A)
Lydtryk ved brugerens øre L_{PA}	82 dB(A) K=2,5 dB(A)
Garanteret lydeffektniveau L_{WA} (målt i henhold til direktiv 2000/14/EF)	95 dB(A)
Vibration a_n	0,522 m/s ² K=1,5 m/s ²

4. Elektriske kontakter
5. Udløsermekanisme
6. Luftindtag
7. Forreste rør (Buet fladt rør)
8. Luftudgang
9. Forreste rør (Cylinderformet rør)
10. Mellemrør
11. Betjeningsgreb
12. Justerbar bæresele
13. Dup til brug ved opbevaring af blæserør
14. Boost-knap
15. Indstillingsknap (hastighed/lås)
16. Lufthastighedsvælger
17. Vingemøtrik
18. Rille til ophæng af rør

DK

⚠ ADVARSEL: Sikker brug af dette produkt kræver en forståelse af oplysningerne om værktøjet og i denne brugsanvisning samt kendskab til det arbejde, du vil udføre. Før brug af dette produkt skal du gøre dig fortrolig med alle funktioner og sikkerhedsregler.

SAMLING

⚠ ADVARSEL: Hvis der er dele, der er beskadigede eller mangler, anvendes apparatet ikke, før delene er udskiftet. Brug af dette produkt med beskadigede eller manglende dele kan medføre alvorlig personskade.

⚠ ADVARSEL: Forsøg ikke at ændre dette produkt eller fremstille tilbehør, der ikke anbefales til brug med denne løvblæser. Enhver sådan ændring eller modifikation er misbrug og kan resultere i en farlig situation og føre til eventuel alvorlig personskade.

⚠ ADVARSEL: For at forebygge utilsigtet start, der kunne forårsage alvorlig personskade, skal man altid fjerne batteripakken fra produktet, når der monteres dele.

MONTERING AF BLÆSERRØRET

1. Der er tre rør til blæseren: to frontrør (et cylinderrør og et buet, fladt rør) og et mellemrør (fig. C).
2. Sæt først cylinderrøret på mellemrøret. Flugt en af rillerne i cylinderrøret med knappen på mellemrøret (fig. D).
3. Skub mellemrøret frem indtil knappen går i hak med en af rillerne. Drej derefter mellemrøret i pilens retning, indtil knappen glider ind i låst stilling (Fig. E).

- Den deklarerede samlede værdi for vibrationer er målt i overensstemmelse med en standardiseret prøvningsmetode og kan anvendes til at sammenligne et værktøj med et andet.
- Den deklarerede samlede værdi for vibrationer kan også anvendes ved en foreløbig vurdering af eksponeringen.

BEMÆRK: Udsendelsen af vibrationer ved faktisk brug af elværktøjet kan afvige fra den angivne værdi, der hvor værktøjet anvendes. For at beskytte operatøren, bør vedkommende bære handsker og høreværn under de faktiske brugsbetingelser.

PAKKELISTE

DELENS NAVN	ANTAL
Løvblæser	1
Løvblæserrør	3
Brugsanvisning	1

BESKRIVELSE

KEND DIN BLÆSER (Fig. A & B)

1. håndtere
2. udløserknap til batteri
3. spærre

Beskrivelse af dele i fig. C og D, se nedenfor:

C-1	Cylinderformet rør	D-1	Knap
C-2	Buet fladt rør	D-2	Riller til forskellige låsestillinger
C-3	Mellemrør		

BEMÆRK: Før mellemrøret låses fast ved rotationen, vil du bemærke et indbygget stop, der vil yde modstand. Fortsæt med at dreje røret forbi stoppet, indtil det glider helt ind i låst stilling.

DK

4. Du kan forkorte eller forlænge rørets længde efter ønske ved at låse mellemrøret i forskellige låsestillinger (Fig. F).

Beskrivelse af dele i fig. F, se nedenfor:

F-1	Lukket i første låsestilling
F-2	Lukket i anden låsestilling

5. Sæt det samlede rør på blæserhuset på samme måde (Fig. G).

Brug den samme rækkefølge til at samle det buede, flade rør med blæseren.

6. Man fjerner røret fra blæserhuset eller skiller de to rør ved først at dreje røret, så det låser op og frigør spærren. Nu kan røret trækkes lige udad.

BETJENING

⚠ ADVARSEL: Lad ikke fortrolighed med dette produkt gøre dig skodesløs. Husk, at skodesløshed i en brøkdæl af et sekund kan forvolde betydelig personskaade.

⚠ ADVARSEL: Anvend ikke påmonteringer eller tilbehør, der ikke anbefales af fabrikanten af dette produkt. Brug af påmonteringer eller tilbehør, der ikke anbefales, kan forårsage alvorlig personskaade.

⚠ ADVARSEL: Fjern altid batteriet fra produktet, når du monterer dele, foretager justeringer, ved rengøring, eller når det ikke bruges. Fjernelse af batteripakken vil forhindre utilsigtet start, der kan forårsage alvorlig personskaade.

Før hver brug skal du undersøge hele produktet for skader, manglende eller løse dele, såsom skruer, møtrikker, bolte, hætter etc. Tilsæend omhyggeligt alle befæstelsesdele og hætter, og betjen ikke dette produkt, før alle manglende eller beskaadigede dele er udskiftet.

BEMÆRK: I en nødsituation tages blæseren af seletøjet ved at åbne brystspændet.

ANVENDELSE

Du kan bruge dette produkt til de formål, der er nævnt nedenfor:

- Rydning af hårde overflader, såsom indkørsler og fortove.
- Holde terrasser og indkørsler fri for blade og fyrrenåle.

BEMÆRK: Værktøjet skal kun bruges til det formål, det er beregnet til. Enhver anden anvendelse anses for at være et tilfælde af fejlbrug.

INSTALLATION / FJERNELSE AF BATTERIPAKKEN

OPLAD FØR FØRSTE BRUG.

Produktet må kun bruges med batteripakkerne og opladerne, der står på listen i fig. A

BEMÆRK: For at opnå den bedste ydeevne, anbefaler vi at du bruger et EGO 56V-batteri BA2800 (5.0 Ah) eller et andet EGO 56V-batteri med højere kapacitet.

■ Installation (Fig. H)

Flugt batteriets ribber med monteringsrillerne, og tryk batteripakken ned, indtil du hører et "klik".

■ Afmontering (Fig. I)

Tryk på udløserknappen til batteriet, og træk batteripakken ud.

⚠ ADVARSEL: Vær altid opmærksom på dine fødders placering og på børn eller kæledyr omkring dig, når du trykker på udløserknappen til batteripakken. Der kan opstå alvorlig skade, hvis batteriet falder. Fjern ALDRIG batteripakken, når du står højt hævet.

PLACERING AF "RYGSÆK"-BLÆSER

⚠ ADVARSEL: Bær rigtig påklædning for at mindske risikoen for skader, når du betjener dette værktøj. Bær ikke løst tøj eller smykker. Bær øjen- og øre- / høreværn. Bær kraftige, lange bukser, støvler og handsker. Gå ikke i korte bukser, sandaler eller på bare fødder.

Justering af bæreselen

1. Stik armene gennem "rygsækkens" remme, så de kan støtte blæseren på din ryg.
2. Indstil begge skulderstropper midlertidigt, så de sidder behageligt (Fig. J), og sørg for, at din alblue kan bevæge sig frit.
3. Spænd brystspændet, og justér længden, hvis det er nødvendigt (Fig. K).
4. Spænd taljespændet, og justér længden, så "rygsækken" er godt understøttet af dine hofter (Fig. L og M).

BEMÆRK: "Rygsækken" bør ikke sidde for højt oppe på ryggen; den skal placeres tættere på dine hofter end på dine skuldre.

- Justér skulderstropperne for sikkerhed og komfort. Sørg for, at "rygsækken" sidder sikkert fast på ryggen, med vægten understøttet af taljerebmen, og uden at sidde for løst, når du bevæger dig (Fig. N).
- Sæt den overskydende del af bæltet omkring taljen ind i elastikken på begge sider (Fig. O).
- Værktøjet tages af ryggen ved blot at trykke på talje- og brystspænderne, så de udløses; derefter kan værktøjet tages af (Fig. P).

Justering af betjeningsgrebet

- Løsn vingemøtrikken for at justere grebet frem eller tilbage efter behov (Fig. Q og R), og spænd derefter vingemøtrikken, så grebet sidder fast.
- Du kan også rotere grebet, så det sidder mere behageligt (Fig. S).
- Udvid område, som du rengør, ved at bevæge røret fra side til side (Fig. T).

START / STOP AF BLÆSEREN (Fig. U)

Kun lufthastighedsvælger

- Tryk på lufthastighedsvælgeren for at tænde for blæseren.
- Blæserens lufthastighed styres med den regulerbare hastighedsvælger. Jo mere tryk på udløseren jo højere er blæsehastigheden; jo mindre tryk på hastighedsvælgeren jo lavere blæsehastighed. Afpas hastigheden efter den aktuelle opgave.
- Slip lufthastighedsvælgeren for at slukke blæseren.

Kun indstillingsknap

Blæseren kan tændes og låses ved alle hastigheder med indstillingsknappen.

- Drej indstillingsknappen med uret for at starte blæseren. Lufthastigheden øges, når knappen drejes med uret.
- Lufthastigheden sænkes ved at dreje indstillingsknappen mod uret. Bliv ved med at dreje indstillingsknappen mod uret til positionen slukket for at stoppe blæseren.
- Bliv ved med at dreje indstillingsknappen mod uret til positionen slukket for at stoppe blæseren.

Bemærk: Hvis indstillingsknappen ikke drejes tilbage til positionen slukket, før blæseren tændes, vil blæseren ikke starte ved hjælp af indstillingsknappen, når et opladet batteri er monteret. Det er en beskyttelsesfunktion, der skal hindre utilsigtet start. Tryk på udløseren til lufthastighed kan deaktivere beskyttelsen.

Tryk på boosterknappen, mens du arbejder, for midlertidigt at øge lufthastigheden til det maksimale niveau. Blæseren vil genoptage den tidligere hastighed, når boosterknappen slippes.

Beskrivelse af dele i fig. U, se nedenfor:

U-1	Indstillingsknap (hastighed/lås)	U-3	Lufthastighedsvælger
U-2	Boost-knap		

TIP TIL BRUG AF BLÆSEREN

- For ikke at sprede snavset og skidtet bør man blæse rundt om yderkanterne af bunken af snavs og skidt. Blæs aldrig direkte ind i midten af en bunke.
- For at reducere lydniveauet bør antallet af stykker udstyr, der anvendes på et givet tidspunkt, begrænses
- Brug river og koste til at løsne skidt og snavs, før der blæses. Hvis der er støvet, så fugt overfladerne let, hvis der er vand i nærheden.
- Hold øje med børn, kæledyr, åbne vinduer eller nyvaskede biler, og blæs skidt og snavs sikkert i den rigtige retning.
- Efter at have brugt løvblæser eller andet udstyr: Ryd op! Bortskaf skidt og snavs på korrekt vis.
- Det kan ikke anbefales at køre med blæseren på høj ydelse i lang tid, da kraftig støj og vibration kan være skadeligt for dit helbred.

DK

VEDLIGEHOLDELSE

⚠ ADVARSEL: Ved service må der kun bruges originale reservedele fra EGO. Brug af andre dele kan forårsage fare eller forårsage skader på produktet. For at sikre sikkerhed og pålidelighed skal alle reparationer udføres af en kvalificeret servicetekniker.

⚠ ADVARSEL: For at undgå alvorlig personskade skal batteripakken altid fjernes fra produktet, når der skiftes tilbehør, under rengøring eller vedligeholdelse.

ALMINDELIG VEDLIGEHOLDELSE

Undgå at bruge opløsningsmidler ved rengøring af plastdele. De fleste plastmaterialer risikerer at blive ødelagt ved brug af forskellige typer af alment tilgængelige opløsningsmidler. Brug rene klude til at fjerne snavs, støv, olie, fedt osv.

⚠ ADVARSEL: Lad aldrig bremsevæske, benzin, oliebaserede produkter, indtrængende olier osv. komme i kontakt med plastdele. Kemikalier kan beskadige, svække eller ødelægge plast, hvilket kan resultere i alvorlig personskade.

OPBEVARING

- Fjern batteripakken fra løvblæseren.
- Fjern alle fremmedlegemer fra løvblæserens luftindtag.
- Flugt duppen på blæserrøret med rillen til ophængning af røret, og fastgør blæserslangen på batterihuset (Fig. V og W).
- Opbevares indendørs på et sted, der er utilgængeligt for børn. Holdes væk fra ætsende stoffer, såsom havekemikalier og vejsalt.

Beskrivelse af dele på fig. V, se nedenfor:

V-1	Dup til brug ved opbevaring af blæserør
V-2	Rille til ophæng af rør

DK

Beskyttelse af miljøet



Smid ikke elektrisk udstyr, batterioplader og batterier / genopladelige batterier i affaldsspanden!

Ifølge EU-direktiv 2012/19/EU og EU-direktiv 2006/66/EF skal henholdsvis elektrisk og elektronisk udstyr, der ikke længere er brugbart, og defekte eller brugte batterier / batteripakker indsamles særskilt og bortskaffes på miljørigtig måde.

Hvis elektriske apparater smides på lossepladsen eller affaldsdeponier kan der sive giftige stoffer ned i grundvandet og komme ud i fødekæden og gøre skade på menneskers sundhed og velfærd.

FEJLFINDING

PROBLEM	ÅRSAG	LØSNING
Løvbløser virker ikke.	<ul style="list-style-type: none"> ■ Batteripakken er ikke sat på løvblæseren. ■ Ingen elektrisk kontakt mellem løvblæseren og batteriet. ■ Batteripakken er afladet. ■ Batteripakke eller løvblæser er for varm. ■ Indstillingsknappen blev ikke drejet tilbage til positionen slukket før blæseren blev tændt. 	<ul style="list-style-type: none"> ■ Sæt batteripakken på løvblæseren. ■ Fjern batteriet, kontrollér kontakterne, og sæt batteripakken på igen. ■ Oplad batteripakken. ■ Afkøl batteripakke og løvblæser, indtil temperaturen falder til under 67 °C. ■ Tryk på lufthastighedsvælgeren for at deaktivere beskyttelsen, og start blæseren eller drej først indstillingsknappen til positionen slukket.
Lufthastigheden falder betydeligt.	<ul style="list-style-type: none"> ■ Stærkt slid på motorventilator. ■ Luftindtaget er blokeret af skidt og snavs. 	<ul style="list-style-type: none"> ■ Kontakt EGO's servicecenter for reparation ■ Fjern batteripakken, fjern skidt og snavs.
Ventilatoren stopper på forøget hastighed.	<ul style="list-style-type: none"> ■ Ventilatoren trækker for meget strøm fra batteriet, og går på selvbeskyttelsesfunktionen. 	<ul style="list-style-type: none"> ■ Sluk på indstillingsknappen, og genstart ventilatoren, når lyset i batteriindikatoren går ud. Tag batteriet ud og sæt det i igen, og start derefter ventilatoren igen.

DK

GARANTI

EGO's GARANTIPOLITIK

Besøg venligst hjemmesiden egopowerplus.com for fuldstændige vilkår og betingelser for EGO's garantipolitik.

LÄS IGENOM ALLA INSTRUKTIONER!



LÄS IGENOM BRUKSANVISNINGEN

OBS! Dessa instruktioner skall även vara tillgängliga i ett alternativt format, t.ex. på en webbplats.

⚠️ Kvarstående risker! Personer med elektroniska implantat såsom hjärtstimulatorer bör konsultera sin(a) läkare innan de använder denna produkt. Användning av elutrustning nära en hjärtstimulator kan störa eller avbryta dess funktion.

⚠️ WARNING! Alla reparationer bör utföras av en kvalificerad servicetekniker för att upprätthålla produktens säkerhet och driftssäkerhet.

SE

SÄKERHETSSYMBOLER

Syftet med säkerhetsymboler är att fästa din uppmärksamhet på eventuella risker. Säkerhetsymbolerna och deras betydelser bör uppmärksammas noga och förstås. Själva varningssymboler kan dock inte förebygga någon fara. De instruktioner och varningar som de hänvisar till kan aldrig ersätta lämpliga olycksförebyggande åtgärder.

⚠️ WARNING! Se till att läsa igenom och förstå alla säkerhetsinstruktioner i bruksanvisningen, inklusive alla varningssymboler såsom **“RISK”**, **“WARNING”** och **“VAR FÖRSIKTIG”**, innan produkten tas i bruk. Underlåtenhet att följa alla nedan angivna instruktioner kan leda till elstöt, brand och/eller svår personskada.

NOTER OM FOREBYGGANDE AV SKADA OCH INFORMATION

Dessa noter ger användaren viktig information och/eller instruktioner; om de inte följs kan det leda till skada på verktyget eller annan egendom. Varje not är markerad med **“OBS”** som i exemplet nedan:

OBS: Underlåtenhet att följa dessa instruktioner kan leda till skada på verktyget och/eller annan egendom.



⚠️ WARNING! Arbete med eldrivna verktyg kan medföra att främmande föremål slungas upp i ögonen vilket kan orsaka svåra ögonskador. Ta alltid på dig skyddsglasögon eller skyddsglasögon med sidoskydd och vid behov ett komplett ansiktsskydd innan du börjar arbeta med eldrivna verktyg. Vi rekommenderar att använda en Bred skyddsmask ovanpå glasögon eller vanliga skyddsglasögon med sidoskydd.

SÄKERHETSINSTRUKTIONER

På denna sida anges säkerhetssymboler som kan förekomma på produkten. Alla instruktioner som anges på enheten bör granskas, förstås och följas innan du försöker montera och använda den.

	Säkerhetsvarning	Försiktighetsåtgärder för din säkerhet
	Använd skyddsglasögon	Använd alltid skyddsglasögon eller skyddsglasögon med sidoskydd och ett ansiktsskydd vid arbete med denna produkt.
	Använd hörselskydd	Använd alltid hörselskydd vid arbete med denna produkt.
	Läs igenom bruksanvisningen	Användaren bör läsa igenom bruksanvisningen för att minska risken för personskada.
	Håll obehöriga på avstånd	Håll alla åskådare på ett avstånd av minst 15 meter.
V	Volt	Spänning
A	Ampere	Ström
Hz	Hertz	Frekvens (cykler per sekund)
W	Watt	Effekt
min	Minuter	Tid
m ³ /h	Kubikmeter per timme	Luftvolym
km/h	Kilometer per timme	Luftflödes hastighet
	Växelström	Strömtyp
	Likström	Strömtyp eller -specifikation
n ₀	Hastighet obelastat	Rotationshastighet i obelastat tillstånd
.../min	Per minut	Rotationer per minut

Grundläggande försiktighetsåtgärder bör alltid vidtas vid arbete med eldrivna enheter, bl a de nedan angivna:

ALLMÄNNA SÄKERHETSVARNINGAR FÖR ELDRIVNA VERKTYG

⚠ VARNING! LÄS IGENOM ALLA SÄKERHETSVARNINGAR, INSTRUKTIONER, ILLUSTRATIONER OCH SPECIFIKATIONER SOM MEDFÖLJER DETTA MOTORDRIVNA VERKTYG.

Underlåtenhet att följa alla instruktioner som listas nedan kan resultera i elektriska stötar, brand och/eller allvarliga personskador

SPARA ALLA VARNINGAR OCH INSTRUKTIONER FÖR FRAMTIDA BEHOV.

Termen "eldrivet verktyg" i varningarna hänvisar till ditt nätdrivna (med sladd) eller batteridrivna (sladdlösa) elverktyg.

SÄKERHET I ARBETSOMRÅDET

- **Håll arbetsområdet rent och väl belyst.** Stökiga eller mörka arbetsområden kan leda till olyckor.
- **Eldrivna verktyg får inte användas i explosiva miljöer såsom i närvaro av lättantändliga vätskor, gaser eller damm.** Eldrivna verktyg kan avge gnistor som kan tända damm eller ångor.
- **Håll barn och andra obehöriga på avstånd under arbete med eldrivna verktyg.** Distractioner kan få dig att tappa kontrollen.

ELSÄKERHET

- **Stickproppen av den elektriska enheten ska passa uttaget.** Stickproppen får aldrig modifieras på något sätt. Använd inga adapterstickproppar med jordade elektriska enheter. Omodifierade stickproppar och lämpliga uttag minskar risken för elstöt.
- **Undvik kroppskontakt med jordade ytor såsom rör, radiatorer, elspisar och kylskåp.** Risken för elstöt ökar när din kropp är jordad.
- **Eldrivna verktyg får inte utsättas för regn eller väta.** Intrång av vatten i verktyget ökar risken för elstöt.
- **Sladden får inte utsättas för påfrestningar.** Använd inte sladden för att bära, dra eller koppla ur laddaren. Håll laddaren borta från hög värme, olja, vassa kanter eller rörliga detaljer. Skadade eller tilltrasslade sladdar ökar risken för elstöt.
- **Om ett eldrivet verktyg används utomhus, använd en förlängningssladd som är lämplig för utomhusbruk.** Sladdar för utomhusbruk minskar risken för elstöt.
- **Om användning av ett eldrivet verktyg i en fuktig miljö är oundviklig, använd ett strömnät som är skyddat med en jordfelsbrytare (RCD).** Användning av jordfelsbrytare minskar risken för elstöt.

PERSONSÄKERHET

- **Var uppmärksam, se vad du gör och använd sunt förnuft vid användning av ett eldrivet verktyg.** Eldrivna verktyg får inte användas medan du är trött eller påverkad av narkotika, alkohol eller läkemedel. Ett ögonblicks uppmärksamhet under användning av ett eldrivet verktyg kan leda till svåra personskador.
- **Använd personlig skyddsutrustning. Använd alltid skyddsglasögon.** Skyddsutrustning såsom dammask, halkfria säkerhetskor, hjälm eller hörselskydd som är lämplig för aktuella förhållanden förebygger personskador.
- **Undvik oavsiktlig start. Se till att huvudströmbrytaren är i avstängt läge innan du ansluter verktyget och/eller batteripacket eller lyfter upp eller bär verktyget.** Olyckor kan hända om du bär eldrivna verktyg med fingret på strömbrytaren eller startar eldrivna verktyg med strömbrytaren i påslaget läge.
- **Avlägsna eventuell justeringsnyckel eller annan nyckel innan verktyget slås på.** En nyckel som har lämnats på ett roterande maskindel kan orsaka personskador.
- **Sträck dig inte för långt. Se till att du hela tiden har säkert fotfäste och balans.** Så har du bättre kontroll över det eldrivna verktyget i oväntade situationer.
- **Ha på dig lämpliga kläder. Använd inga löst sittande kläder eller smycken. Håll håret, kläderna och handskarna borta från rörliga detaljer.** Lösa kläder, smycken eller långt hår kan fastna i rörliga detaljer.
- **Vid verktyg som är försedda med anslutningar för utsugning och uppsamling av damm ska du se till att dessa ansluts och används korrekt.** Användning av dammsug kan minska dammrelaterade risker.
- **Var alltid uppmärksam vid användning av verktyget, även efter många användningstillfällen, och ignorera inte verktygets säkerhetsprinciper.** En vårdslös handling kan orsaka allvarliga personskador inom bråkdelen av en sekund.

SE

ANVÄNDNING OCH SKÖTSEL AV ELDRIVNA VERKTYG

- **Det eldrivna verktyget får inte överbelastas.** Använd ett lämpligt verktyg för det aktuella arbetet. Rätt verktyg fungerar bättre och säkrare vid hastigheter som det är avsett för
- **Det eldrivna verktyget får inte användas om dess huvudströmbrytare inte fungerar.** Ett eldrivet verktyg som inte kan styras med huvudströmbrytaren är farligt och ska repareras.

- **Koppla loss stickproppen från uttaget och/eller batteripacket från det eldrivna verktyget före justering, byte av tillbehör eller förvaring.** Sådana förebyggande säkerhetsåtgärder minskar risken för oavsiktlig start.
- **Eldrivna verktyg som inte används ska förvaras oåtkomligt för barn. Ingen person som inte är förtrogen med det eldrivna verktyget eller dessa instruktioner får använda det eldrivna verktyget.** Eldrivna verktyg är farliga i händerna på okunniga användare.
- **Ta hand om eldrivna verktyg. Kontrollera dem för skvning eller kärvning av rörliga detaljer, skada på detaljer eller annat som kan påverka verktygets funktion.** Ett skadat eldrivet verktyg ska repareras innan det används igen.
- **Många olyckor orsakas av bristande underhåll av eldrivna verktyg.** Håll skärverktyg vassa och rena. Välskötta skärverktyg med vassa skärblad kärvar mindre och är lättare att styra.
- **Använd det eldrivna verktyget samt dess tillbehör, bits osv i enlighet med dessa instruktioner och med hänsyn till de aktuella arbetsförhållandena och arbetet som ska utföras.** Användning av eldrivna verktyg för ej avsedda ändamål kan medföra risk.
- **Håll handtagen och greppytorna torra, rena och fria från olja och fett.** Håll handtag och greppytor förhindrar säker hantering och kontroll av verktyget vid oväntade situationer.

ANVÄNDNING OCH SKÖTSEL AV BATTERIDRIVNA VERKTYG

- **Ladda endast med en laddare som har specificerats av tillverkaren.** En laddare som är lämplig för en typ av batteripack kan orsaka brandrisk om den används med något annat batteripack
- **Eldrivna verktyg får endast användas med batteripack som är uttryckligen avsedda för dem.** Användning av andra batteripack kan medföra risk för personskada och brand.
- **När batteripacket ställs av ska det hållas avskilt från andra metallföremål såsom gem, mynt, nycklar, spikar, skruvar eller andra små metallföremål som kan skapa en anslutning mellan batteripoler.** Kortslutning av batteripoler kan leda till brännskador eller brand.
- **Vid felaktig användning kan batteriet läcka vätska; undvik kontakt med vätskan. Skölj med vatten vid oavsiktlig hudkontakt. Om vätskan kommer i kontakt med ögonen, sök även läkarhjälp.** Batterivätska kan orsaka irritation eller brännskador.

- **Använd inte ett batteripack eller verktyg som skadats eller modifierats.** Skadade eller modifierade batterier kan leda till oförutsägbart uppträdande som leder till brand, explosion eller risk för personskador.
- **Utsätt inte batteripacket eller verktyget för eld eller extrema temperaturer.** Exponering av eld eller temperaturer över 130 °C kan orsaka explosion.
- **Följ alla laddningsinstruktioner och ladda inte batteripacket eller verktyget utanför det temperaturområde som anges i instruktionerna.** Felaktig laddning eller vid temperaturer utanför angivet temperaturområde kan skada batteriet och ökar risken för brand.

SERVICE

- **Lämna ditt elverktyg för service hos en kvalificerad servicetekniker som endast använder identiska utbytesdelar.** Det garanterar att säkerheten hos det motordrivna verktygets bibehålls.
- **Utför aldrig service på skadade batteripack.** Service av batteripack bör endast utföras av tillverkaren eller auktoriserade serviceverkstäder.

LÄS IGENOM ALLA INSTRUKTIONER INNAN DENNA PRODUKT ANVÄNDS!

UTBILDNING

- **Låt inte följande använda maskinen: Barn eller personer med nedsatt fysisk, sensorisk eller mental förmåga eller personer som saknar erfarenhet eller kunskap eller är obekanta med dessa instruktioner.**
- **Operatören eller användaren är ansvarig för olyckor eller faror som uppstår för andra personer eller deras egendom.**

FÖRBEREDELSE

- **Elverktyget kan användas vid regn eller blöta förhållanden. Torka elverktyget efter att det använts klart.**
- **Före användning, kontrollera batterierna eller batteripacket efter skada.** Använd inte apparaten om batterierna eller batteripacket är skadat.

ANVÄNDNING

- **Elverktyget kan användas vid regn eller blöta förhållanden. Torka elverktyget efter att det använts klart.**
- **Koppla ur batterierna eller batteripacken:**

1. När du lämnar maskinen;
 2. Före en blockering åtgärdas;
 3. Före kontroller, rensning eller arbete på apparaten;
 4. Om apparaten börjar vibrera på ett onormalt sätt.
- Se alltid till att du är stadig på foten i slänter.
 - Gå, spring aldrig.
 - Hålla alla luftintag fria från skräp.
 - Du rekommenderas att endast använda maskinen under dagtid - inte tidigt på morgon eller sent på kvällen då det kan störa andra.
 - Du rekommenderas att fukta ytorna något under dammiga förhållanden eller använda tillbehör för fuktning.

⚠ VARNING: Varning för roterande delar!

- Använd det långa munstycket för full blåsning så att luftströmmen arbetar nära marken.
- Använd inte maskinen nära öppna fönster osv.

UNDERHÅLL OCH FÖRVARING

- Se till att alla muttrar, bultar och skruvar är ordentligt åtdragna för att säkerställa att apparaten är i ett säkert skick.
- Byt ut slitna eller skadade delar.
- Använd endast äkta utbytesdelar och tillbehör.
- Förvara endast apparaten på en torr plats.

⚠ VARNING: För att minska risken för brand, elektriska stötar eller personskador:

VIKTIGT

LÄS IGENOM NOGA FÖRE ANVÄNDNING.

SPARA FÖR FRAMTIDA BRUK.

- Låt inte lövblåsaren användas som en leksak. Särskild uppmärksamhet krävs när den används av eller i närheten av barn.
- Om lövblåsaren inte fungerar som den ska, har tappats i marken, skadats eller tappats i vatten, lämna in den hos ett servicecenter.
- För inte in något föremål i öppningarna. Använd inte med någon öppning blockerad; håll öppningarna fria från damm, ludd, hår och övrigt material som kan minska luftflödet.

- Var extra försiktig vid rengöring på trappor.
- Lämna inte lövblåsaren obebakad när batterikontakten är ansluten. Ta ut batteriet från lövblåsaren när den inte används och före service.
- Hantera inte laddaren, inklusive dess laddningskontakt och batterikontakter med våta händer.
- Ladda inte batteripacket utomhus.

⚠ VARNING:

- Batteripacket måste tas ur apparaten innan det skrotas.

- Batteriet måste kasseras på ett säkert sätt.

- **DU FÅR INTE** rensa blockeringar i enheten utan att först ta ut batteriet.
- Håll lövblåsaren och dess handtag torrt, rent och fritt från olja och fett. Använd alltid en ren trasa vid rengöring. Använd aldrig bromsvätska, bensin, petroleumbaserade produkter eller starkt lösningsmedel för att rengöra lövblåsaren. Följ denna regel för att minska risken för tappad kontroll och försämring av plasthöljet.
- Batterier kan explodera i närvaron av en antändningskälla, t.ex. en liten låga. För att minska risken för allvarliga personskador, använd aldrig en trådlös produkt i närvaron av en öppen eldslåga. Ett exploderande batteri kan slunga iväg skräp och kemikalier. Om du får det på dig ska du omedelbart skölja med vatten.
- Kör aldrig enheten utan lämplig utrustning monterad. Se alltid till att blåsröret är monterat.
- Använd aldrig lövblåsaren i närheten av bränder eller varm aska. Om den används i närheten av bränder eller askor kan det sprida elden och resultera i allvarliga personskador och/eller skada på egendom.
- Använd aldrig lövblåsaren för att sprida kemikalier, gödselmedel eller andra giftiga ämnen. Om dessa ämnen sprids kan det resultera i allvarliga personskador för operatören eller andra i närheten.
- Spara dessa instruktioner. Läs igenom dem regelbundet och använd dem för att instruera andra som kan komma att använda detta verktyg. Om du lånar ut detta verktyg till någon, se även till att låna ut dessa instruktioner för att förhindra att produkten används felaktigt eller orsakar eventuella personskador.

SPARA DESSA INSTRUKTIONER!

SE

SPECIFIKATIONER

Spänning	56 V
Högsta luftvolym	1020 m ³ /h
Högsta lufthastigheten	232 km/h
Maximal effekt lövblåsare	19 N
Rekommenderad användningstemperatur	-15°C-40°C
Rekommenderad förvaringstemperatur	-20°C-70°C
Genomsnittlig drifttid (med EGO 56V-batteriet på 5,0 Ah)	15 min (Boost)
	22 min (Hög hastighet)
	120 min (Låg hastighet)
Lövblåsarens vikt (utan batteripack, med blåsror)	5,7 kg
Uppmätt ljudeffektnivå L _{WA}	94,6 dB(A) K=0,8 dB(A)
Ljudtrycksnivå vid operatörens plats L _{PA}	82 dB(A) K=2,5 dB(A)
Garanterad ljudeffektnivå L _{WA} (uppmätt i enlighet med 2000/14/EC)	95 dB(A)
Vibration a _v	0,522 m/s ² K=1,5 m/s ²

- Det angivna totalvärdet för vibration är uppmätt enligt standardprovningemetoden och kan användas för att jämföra olika verktyg;
- Det angivna totalvärdet för vibration kan även användas vid preliminär utvärdering av exponering

OBS! Den verkliga vibrationen under arbete med det eldrivna verktyget kan avvika från det angivna värdet. Användaren bör ha på sig lämpliga handskar och hörselskydd för de aktuella arbetsförhållandena för att skydda sig.

PACKLISTA

KOMPONENTNAMN	ANTAL
Lövblås	1
Blåsror	3
Bruksanvisning	1

BESKRIVNING

LÄRA KÄNNA DIN LÖVBLÅS (bild A & B)

1. Handtag
2. Frigöringsknapp för batteriet
3. Spärr
4. Elektriska kontakter
5. Utskjutningsmekanism
6. Luftintag
7. Främre rör (Krökt platt rör)
8. Luftutsläpp
9. Främre rör (Cylindriskt rör)
10. Mellanrör
11. Styrhandtag
12. Justerbar stödsle
13. Blåsrörets förvaringsknapp
14. Boostknapp
15. Hastighets-/läsreglage
16. Avtryckare för lufthastighet
17. Vingmutter
18. Skåra för upphängning

⚠ VARNING! Säker användning av produkten förutsätter att man har förstått informationen om enheten och informationen i denna bruksanvisning samt är förtrogen med arbetet som ska utföras. Lär känna alla funktioner och säkerhetsregler innan produkten tas i bruk.

MONTERING

⚠ VARNING! Om någon av delarna skadats eller saknas, använd inte denna produkt förrän delarna har bytts ut. Användning av denna produkt med skadade eller saknade delar kan resultera i allvarliga personskador.

⚠ VARNING! Försök inte att modifiera denna produkt eller skapa tillbehör som inte rekommenderas för användning med denna lövblåsare. Alla sådana ändringar eller modifikationer är felaktig användning och resulterar i farliga förhållanden som kan leda till allvarliga personskador.

⚠ VARNING! För att förhindra oavsiktlig start som kan orsaka allvarliga personskador, ta alltid ut batteripacket från verktyget vid montering av delar.

MONTERA BLÅSRÖREN

1. Det finns tre olika rör till lövblåsaren: två främre rör (ett cylindriskt rör och ett krökt, platt rör) och ett mellanrör (bild C).
2. Montera först det cylindriska röret till mellanröret. Rikta in någon av skårorna på det cylindriska röret med reglaget på mellanröret (bild D).
3. Tryck mellanröret framåt tills utstickaren aktiveras i någon av skårorna. Vrid sedan mellanröret i pilens riktning tills utstickaren glider in i det låsta läget (bild E).

Bild C och D. Se nedan för beskrivning av delar:

C-1	Cylindriskt rör	D-1	Utstickare
C-2	Krökt platt rör	D-2	Skåror för olika låslägen
C-3	Mellanrör		

OBS! Innan mellanröret vrids på plats kommer du att observera ett inbyggt stopp som skapar ett visst motstånd. Fortsätt att vrida röret förbi detta stopp tills det glider hela vägen in i det låsta läget.

4. Du kan förkorta eller förlänga rörets längd efter eget önskemål genom att låsa mellanröret i olika låslägen (bild F).

Bild F. Se nedan för beskrivning av delar:

F-1	Låst i det första låsläget
F-2	Låst i det andra låsläget

5. Montera rören till lövblåsarens hölje på samma sätt. Följ samma sekvens för att montera det krökta, platta röret till lövblåsaren.
6. För att ta bort rören från lövblåsarens hölje eller för att separera de två rören, vrid först röret till dess olåsta läge för att frikoppla spärren och dra sedan röret rakt ut.

ANVÄNDNING

⚠ VARNING! Bli inte övermodig när du bekantat dig med produkten. Kom ihåg att det räcker med ett vårdslöst ögonblick för att åsamka allvarliga personskador.

⚠ VARNING! Använd inte några tillsatser eller tillbehör som inte rekommenderas av tillverkaren för denna produkt. Användning av tillsatser eller tillbehör som inte rekommenderas kan resultera i allvarliga personskador.

⚠ VARNING! Ta alltid ut batteripacket från produkten vid montering av delar, justeringar, rengöring eller när den inte ska användas. När batteripacket tas ut förhindrar det oavsiktliga starter som kan orsaka allvarliga personskador.

Inspektera produkten före varje användning efter skadade, saknade eller lösa delar som t.ex. skruvar, muttrar, bultar, lock osv. Dra åt alla fästanordningar och lock och använd inte denna produkt innan alla saknade eller skadade delar har bytts ut.

OBS! Vid nödsituationer, öppna bröstspännet för att ta ut lövblåsaren.

TILLÄMPNING

Du kan använda denna produkt för de tillämpningar som listas nedan:

- Rensa hårda ytor som t.ex. uppfarter och gångvägar.
- Hålla deck och uppfarter fritt från löv och kottar.

OBS! Verktyget får endast användas för sitt avsedda ändamål. All annan användning bedöms som felaktig användning.

INSTALLERA/TA BORT BATTERIPACKET

LADDA FÖRE FÖRSTA ANVÄNDNING.

Använd endast med de batteripack och laddare som listas i bild A.

OBS! För bästa prestanda rekommenderas det att använda EGO 56V-batteriet BA2800 (5,0 Ah) eller något annat EGO 56V-batteri med högre kapacitet.

▪ Installera (bild H)

Rikta in listerna på batteriet med monteringsspärren och tryck sedan ner batteripacket tills du hör ett "klick".

▪ Ta bort (bild I)

Tryck in frigöringsknappen för batteriet och dra sedan ut batteripacket.

⚠ VARNING! Var alltid medveten om placeringen av dina fötter och var eventuellt närvarande barn eller husdjur befinner sig medan du trycker på lossningsknappen för batteriet. Ett tappat batteripack kan orsaka svåra skador. Ta ALDRIG ut batteripacket på ett högt belägen plats.

SE

POSITIONERA LÖVBLÅSAREN MED AXELSELE

⚠ VARNING! Använd korrekta kläder för att minska risken för personsador vid användning av detta verktyg. Använd inte löst sittande kläder eller smycken. Använd ögon- och öron-/hörselskydd. Använd rejåla långbyxor, kängor och handskar. Använd inte kortbyxor, sandaler eller gå barfota.

Justera stödselen

1. För armarna genom axelselens remmar för att stödja lövblåsaren på din rygg.
2. Justera bägge axelremmarna till ett bekvämt läge (bild J). Se även till att din armbåge är i ett bekvämt läge.
3. Knäpp fast bröstspännnet och justera längden om nödvändigt (bild K).
4. Knäpp fast midjespännnet och justera dess längd så att axelselen stöds ordentligt av dina höfter (bild L och M).

OBS! Selen bör inte sitta för högt upp på ryggen. Den ska placeras närmare höften än axlarna.

5. Justera axelremmarna för säker och bekväm användning. Se till att selen sitter korrekt över ryggen, med vikten som stöds av midjebältet, och utan att den flyttas för mycket när du rör dig (bild N).
6. För in bältets extralängd runt midjan i resåren på båda sidorna (bild O).
7. För att ta bort verktyget från ryggen, tryck bara på midje- och bröstspännena för att frigöra dem och sänka ner verktyget (bild P).

Justera styrhandtaget

1. Lossa på vingmuttern för att justera handtaget framåt eller bakåt (bild Q och R) och dra sedan åt vingmuttern för att säkerställa handtagets läge.
2. Du kan även vrida handtaget om det blir bekvämare (bild S).
3. För att öka området som du rensar, flytta röret till vänster eller höger (bild T).

STARTA/STOPPA LÖVBLÅSAREN (bild U)

Endast för avtryckaren för lufthastighet

- Tryck in avtryckaren för lufthastighet för att slå på lövblåsaren.
- Lövblåsarens lufthastighet kontrolleras med den variabla hastighetsavtryckaren. Tryck in den längre för högre blåshastigheter; tryck in den mindre för lägre blåshastigheter. Justera hastigheten efter ditt arbete.
- Släpp upp avtryckaren för lufthastighet för att stänga av lövblåsaren.

Endast för hastighet-/låsreglage

Lövblåsaren kan slås på och låsas i valfri hastighet med hastighets-/låsreglaget.

- Vrid hastighets-/låsreglaget medsols för att starta lövblåsaren. Lufthastigheten ökar när reglaget vrids medsols.
- För att minska lufthastigheten, vrid hastighets-/låsreglaget motsols. Fortätt vrida hastighets-/låsreglaget motsols till av-läget för att stänga av lövblåsaren.
- Fortsätt vrida hastighets-/låsreglaget motsols till av-läget för att stänga av lövblåsaren.

OBS! Om hastighets-/låsreglaget inte vrids tillbaka till av-läget innan lövblåsaren startas kommer lövblåsaren inte att starta via hastighets-/låsreglaget när ett laddat batteri är monterat. Detta är en skyddsfunktion som förhindrar oavsiktlig start. När avtryckaren för lufthastighet trycks in kan det inaktivera skyddet.

Tryck in boost-knappen under arbetet för att temporärt öka lufthastigheten till högsta nivån. Lövblåsaren återupptar sin föregående hastighet när boost-knappen släpps upp.

Bild U. Se nedan för beskrivning av delar:

U-1	Hastighets-/låsreglage	U-3	Avtryckare för lufthastighet
U-2	Boostknapp		

TIPS VID ANVÄNDNING AV LÖVBLÅSAREN

- För att inte sprida ut skräpet, blås runt de yttre kanterna av skräphögen. Blås aldrig mitt i skräphögen.
- För att minska ljudnivåerna, begränsa antalet delar som utrustningen använder samtidigt.
- Använd krattor och sopborstar för att lossa på skräpet före lövblåsaren används. I dammiga förhållanden, fukta ytan något när vatten finns tillgängligt.
- Se upp för barn, husdjur, öppna fönster och nytvättade bilar och blås sedan bort skräpet på ett säkert sätt.
- Plocka upp småskräp efter att du har använt lövblåsaren eller annan utrustning! Kassera skräpet på ett korrekt sätt.
- Det rekommenderas inte att använda lövblåsaren under lång tid med högsta hastighet, eftersom kraftiga vibrationer och hög ljudnivå kan vara skadligt för din hälsa.

UNDERHÅLL

⚠ VARNING! Använd endast identiska reservdelar vid service. Användning av andra detaljer kan leda till risker eller skada på produkten. Alla reparationer bör utföras av en kvalificerad servicetekniker för att upprätthålla säkerhet och driftssäkerhet.

⚠ VARNING! Ta alltid ut batteripacket ur produkten före rengöring eller underhåll för att undvika svåra personskador.

ALLMÄNT UNDERHÅLL

Undvik användning av lösningsmedel vid rengöring av plastdetaljer. De flesta plastmaterialen är känsliga mot olika vanliga lösningsmedel. Använd rena trasor för att avlägsna smuts, damm, olja, smörjmedel osv.

⚠ VARNING! Se till att plastdetaljerna inte kommer i kontakt med bromsvätska, bensin, petroleumbaserade produkter, penetrerande oljor osv. Kemikalier kan skada, försvaga eller förstöra plast vilket kan leda till svåra personskador.

FÖRVARING

- Ta ut batteripacket från lövblåsaren.
- Rengör lövblåsens luftintag noga från alla främmande föremål.
- Rikta in blåsrörets utstickare med skåran för upphängning och haka blåsröret på batterifackets hölje (bild V och W).
- Förvara i ett slutet utrymme som är utom räckhåll för barn. Håll den borta från frätande medel som t.ex. trädgårdskemikalier och vägsalt.

Bild V. Se nedan för beskrivning av delar:

V-1	Blåsrörets förvaringsknapp
V-2	Skåra för upphängning

Miljöskydd



Elektriska enheter, batteriladdare och batterier/uppladdningsbara batterier får inte kastas med hushållsavfall!

Enligt det europeiska direktivet 2012/19/EU ska uttjänta elektriska och elektroniska enheter samlas separat och hanteras på ett miljövänligt sätt; samma gäller för defekta eller uttjänta batteripack/batterier enligt det europeiska direktivet 2006/66/EG.

Om elektriska enheter hamnar i soptippar eller avfallsdepåer kan farliga ämnen läcka ut till grundvattnet, hamna i näringskedjan och skada din hälsa och ditt välmående.

SE

FELSÖKNING

PROBLEM	ORSAK	ÅTGÄRD
Lövbålsaren fungerar inte.	<ul style="list-style-type: none"> ■ Batteripacket är inte anslutet till lövbålsen. ■ Elektrisk anslutning mellan lövbålsen och batteriet saknas ■ Batteripacket är urladdat. ■ Batteripacket eller verktyget är för varmt. ■ Hastighets-/låslaget har inte vridits tillbaka till av-låget innan lövbålsaren startades. 	<ul style="list-style-type: none"> ■ Sätt in batteripacket i lövbåsen. ■ Ta ut batteriet, kontrollera kontakterna och sätt in batteripacket igen. ■ Ladda batteripacket. ■ Låt batteripacket och lövbåsen svalna ned tills temperaturen är under 67°C. ■ Tryck in avtryckaren för lufthastighet för att inaktivera skyddet och starta lövbålsaren eller vrid hastighets-/låslaget till av-låget.
Blåshastigheten minskar betydligt.	<ul style="list-style-type: none"> ■ Motorfläkten är nött. ■ Luftintaget är tilltäppt av skräp. 	<ul style="list-style-type: none"> ■ Kontakta EGO:s servicecenter för reparation. ■ Ta ut batteripacket, avlägsna tilltäppningen.
Lövbålsaren slutar fungera i boost-hastighet.	<ul style="list-style-type: none"> ■ Lövbålsaren har dragit mycket ström från batteriet och försatts i det självskyddande läget. 	<ul style="list-style-type: none"> ■ Stäng av brytaren och starta sedan upp lövbålsaren igen efter att batteriets LED-lampa slocknat. Ta ut batteriet och anslut batteripacket för att starta om lövbålsaren.

SE

GARANTI

GARANTIVILLKOREN AV EGO

Var god besök webbplatsen egopowerplus.com för att se de fullständiga garantivillkoren av EGO.

LUE KAIKKI OHJEET!



LUE KÄYTTÄJÄN KÄSIKIRJA

HUOMAA: Nämä ohjeet ovat saatavilla myös vaihtoehtoisessa formaatissa, esim. verkkosivustolla.

AVAARA: Henkilöiden, joilla on elektroniikkalaitteita, kuten sydämentahdistimia, tulee neuvotella lääkärin kanssa ennen tuotteen käyttöä. Sähkölaitteiden käyttö sydämentahdistimen läheisyydessä voi aiheuttaa tahdistimeen häiriöitä tai vikoja

VAROITUS: Valtuutetun huoltoteknikon tulee suorittaa kaikki korjaukset ja osien vaihdot, jotta voidaan taata tuotteen turvallinen ja luotettava käyttö.

TURVALLISUUSYMBOLIT

Turvamerkkien tavoitteena on kiinnittää huomio mahdollisiin vaaroihin. Sinun tulee lukea huolellisesti käyttöohjeet ja ymmärtää turvamerkit ja niiden selitteet. Turvamerkit eivät itsessään poista vaaraa. Niiden antamat ohjeet ja varoitukset eivät korvaa asianmukaisia tapaturman torjuntatoimenpiteitä.

VAROITUS: Varmista, että luet ja ymmärrät kaikki tämän käyttäjän käsikirjan turvallisuusohjeet, mukaan lukien kaikki vaaramerkit, kuten "VAARA", "VAROITUS" ja "HUOMIO", ennen kuin käytät työkalua. Alla mainittujen ohjeiden noudattamatta jättäminen voi aiheuttaa sähköiskun, tulipalon ja/tai vakavan henkilövahingon.

VAURIOIDEN EHKÄISY JA TIETOILMOITUKSET

Ilmoitukset antavat käyttäjälle tärkeitä tietoja ja/tai ohjeita, joista voi aiheutua laite- tai muita omaisuusvahinkoja, jos niitä ei noudateta. Kutakin ilmoitusta edeltää sana "HUOMAUTUS", kuten alla olevassa esimerkissä:

HUOMAUTUS: Laite- ja/tai omaisuusvahinko voi olla seurauksena, jos näitä ohjeita ei noudateta.



VAROITUS: Vierasesineitä voi sähkötyökalujen käytön seurauksena lentää silmiin, ja ne voivat aiheuttaa vakavan silmävamman. Käytä aina suojalaseja tai turvalaseja sivusuojilla ja tarvittaessa kokokasvosuojusta ennen sähkötyökalun käytön aloittamista. Suosittelemme laajan näkökentän kasvosuojusta silmälasien päälle tai vakioturvalaseja sivusuojilla.

TURVALLISUUSOHJEET

Tällä sivulla esitetään ja kuvataan tähän tuotteeseen mahdollisesti liittyvät turvamerkit. Lue kaikki koneen ohjeet siten, että ymmärrät ne, ja noudata niitä ennen kuin kasaat koneen ja käytät sitä.

	Turvallisuushälytys	Varotoimet, jotka liittyvät turvallisuuteesi.
	Käytä suojalaseja	Turvallisuuteen liittyvät varotoimenpiteet. Käytä aina suojalaseja tai turvalaseja sivusuojilla ja kokokasvosuojusta, kun käytät tätä tuotetta.
	Käytä kuulosuojaimia	Käytä kuulosuojaimia aina, kun käytät tätä tuotetta.
	Lue käyttäjän käsikirja	Tapaturmariskin pienentämiseksi käyttäjän täytyy lukea käyttäjän käsikirja.
	Pidä sivulliset loitolla	Pidä kaikki sivulliset vähintään 15 m päässä.
V	Voltia	Jännite
A	Ampeeria	Virta
Hz	Hertsiä	Taajuus (sykliä sekunnissa)
W	Watti	Teho
min	Minuuttia	Aika
m ³ /h	kuutiometriä tunnissa	Ilman aerostaattinen tilavuus
km/h	kilometriä tunnissa	Ilman virtausnopeus
~	Vaihtovirta	Virran tyyppi
≡	Tasavirta	Virran tyyppi tai virtajännite-ominaiskäyrä
n ₀	Tyhjäkäyntinopeus	Pyörimisnopeus, kuormittamattomana
.../min	Pyörintänopeus	Kierrosta minuutissa

Kun käytät sähkölaitetta, tiettyjä varotoimenpiteitä tulee aina noudattaa, joista seuraavassa mainitaan muutamia:

FI

SÄHKÖTYÖKALUN YLEISIÄ TURVALLISUUSVAROITUKSIA

VAROITUS: LUE KAIKKI TÄMÄN SÄHKÖTYÖKALUN MUKANA TULLEET TURVALLISUUSVAROITUKSET, OHJEET, PIIRUSTUKSET JA TEKNISET TIEDOT. Jos kaikkia alla olevia ohjeita ei noudateta, seurauksena saattaa olla sähköisku, tulipalo ja/tai vakava loukkaantuminen.

SÄILYÄ KAIKKI VAROITUKSET JA OHJEET HUOLELLISESTI.

Käsitteellä "sähkötyökalu" tarkoitetaan varoituksissa verkkokäyttöistä (johdolla varustettua) tai akkukäyttöistä (johdotonta) sähkötyökalua.

FI

TYÖALUEEN TURVALLISUUS

- **Pidä työalue puhtaana ja hyvin valaistuna.** Epäjärjestyksessä olevilla tai hämärillä alueilla sattuu helpommin tapaturmia.
- **Älä käytä sähkötyökaluja räjähdyksenvaarallisissa ympäristöissä, kuten syttyvien nesteiden, bensiinin tai pölyn läheisyydessä. Sähkötyökalujen käytöstä syntyy kipinöitä, jotka voivat sytyttää pölyn tai höyryt palamaan.**
- **Pidä lapset ja sivulliset loitolla, kun käytät sähkötyökalua.** Häiriötekijät voivat aiheuttaa työkalun hallinnan menettämisen.

SÄHKÖTURVALLISUUS

- **Sähkötyökalun pistokkeiden täytyy sopia pistorasiaan. Älä koskaan muuntele pistoketta millään tavalla. Älä käytä sovittipistokkeita maadoitettujen sähkötyökalujen kanssa.** Muuntelemattomat pistokkeet ja yhteensopivat pistorasiat pienentävät sähköiskun riskiä.
- **Vältä koskettamasta maadoitettuja pintoja, kuten putkia, lämpöpattereita, liesiä ja jääkaappeja.** Maadoitettuihin pintoihin koskettaminen lisää sähköiskun riskiä.
- **Älä altista sähkötyökaluja sateelle tai märille olosuhteille.** Sähkötyökaluun tunkeutuva vesi lisää sähköiskun vaaraa.
- **Älä turmele liitäntäjohtoa. Älä koskaan kannata vedä sähkötyökalua johdosta. Älä myöskään irrota sähkötyökalua pistorasiasta johdosta vetämällä. Pidä johto etäällä lämmönlähteistä, öljystä, terävistä kulumista tai liikkuvista osista.** Vioittuneet tai sotkeutuneet johdot lisäävät sähköiskun riskiä.

- **Käytä ulkokäyttöön sopivaa jatkojohtoa, kun käytät sähkötyökalua ulkona.** Ulkokäyttöön sopivan johdon käyttäminen pienentää sähköiskun riskiä.
- **Jos sähkötyökalun käyttö kosteassa tilassa on välttämätöntä, käytä vikavirtakatkaisimella suojattua virtalähdettä.** Vikavirtakatkaisimen käyttö pienentää sähköiskun riskiä.

HENKILÖKOHTAINEN TURVALLISUUS

- **Pysy valppaana, keskity siihen, mitä teet ja muista terve järki, kun käytät sähkötyökalua. Älä käytä sähkötyökalua väsyneenä tai huumausaineiden, alkoholin tai lääkkeiden vaikutuksen alaisena.** Hetkellinen herpaantuminen sähkötyökalujen käytön aikana voi aiheuttaa vakavan henkilövahingon.
- **Käytä henkilönsuojaimia. Käytä aina suojalaseja.** Hengityssuojaimen, liukumattomien turvakalkineiden, suojakypärän tai kuulosuojainten kaltaisten suojavarusteiden tarkoituksenmukainen käyttö vähentää henkilövahinkoja.
- **Estä tahaton käynnistyminen. Varmista, että kytkin on off-asennossa ennen kuin liität työkalun virtalähteeseen ja/tai akkuyksikköön, nostat työkalun tai kannat sitä.** Sähkötyökalujen kantaminen sormen ollessa kytkimellä tai virran kytkeminen sähkötyökaluihin, joiden kytkin on on-asennossa, altistaa tapaturmille.
- **Irrota jokoavaimet tai kiintoavaimet ennen kuin käynnistät sähkötyökalun.** Sähkötyökalun pyöriivään osaan kiinni jätetty kiinto- tai jokoavain voi aiheuttaa henkilövahingon.
- **Älä kurkottele.** Säilytä aina tukeva asento ja hyvä tasapaino. Tällöin hallitset paremmin sähkötyökalun odottamattomissa tilanteissa.
- **Pukeudu asianmukaisesti. Älä käytä löysiä vaatteita tai koruja. Pidä hiukset, vaatteet ja käsineet kaukana liikkuvista osista.** Löysät vaatteet, korut tai pitkät hiukset voivat tarttua liikkuviin osiin.
- **Jos laitteissa on liitännät pölynpoisto- ja -keräyslaitteille, varmista, että ne on kytketty ja että niitä käytetään oikein.** Pölynpoistolaitteiden käyttö voi vähentää pölyyn liittyviä vaaroja.
- **Älä anna tuotteen tuttuuden toistuvan käytön takia tehdä sinua liian itsevarmaksi, äläkä jätä työkalun turvallisuusohjeita noudattamatta.** Huolimaton toiminta voi aiheuttaa vakavan henkilövahingon sekunnin murto-osassa.

SÄHKÖTYÖKALUJEN KÄYTTÖ JA YLLÄPITO

- **Älä ylikuormita sähkötyökaluja.** Käytä käyttötarkoitukseen sopivaa sähkötyökaluja. Oikealla sähkötyökälulla teet työn paremmin ja turvallisemmin sillä nopeudella, jolle se on suunniteltu.
- **Älä käytä sähkötyökaluja, jos sitä ei voi käynnistää ja sammuttaa kytkimestä.** Kaikki sähkötyökälu, joita ei voi hallita kytkimellä, ovat vaarallisia ja ne täytyy korjata.c
- **Irrota pistoke virtalähteestä ja/tai akkuyksikkö sähkötyökäluista ennen säätöjen tekemistä, lisävarusteiden vaihtamista tai sähkötyökälujen varastointia.** Kyseiset ehkäisevät varotoimenpiteet pienentävät riskiä sähkötyökäluun käynnistymisestä vahingossa.
- **Säilytä toimetomia sähkötyökäluja lasten ulottumattomissa äläkä anna sähkötyökäluun ja näihin ohjeisiin perehtymättömien henkilöiden käyttää sähkötyökäluja.** Sähkötyökälu ovat vaarallisia tottumattomien käyttäjien käsissä.
- **Huolla sähkötyökäluja. Tarkasta seuraavat tekijät: liikkuvia osia ei ole kohdistettu väärin, niissä ei esiinny takertelua, osissa ei näy vaurioita eikä ole muita tekijöitä, jotka voivat vaikuttaa sähkötyökälujen toimintaan.** Jos sähkötyökälu on vaurioitunut, korjauta se ennen käyttöä. Monet tapaturmat johtuvat huonosti huolletuista sähkötyökäluista.
- **Pidä leikkuutyökälu terävinä ja puhtaina.** Asianmukaisesti huolletut leikkuutyökälu terävillä leikkusärmillä eivät kovin helposti takertele ja niitä on helpompi hallita.
- **Käytä mm. sähkötyökäluja, lisävarusteita ja työkalun vaihtoteriä näiden ohjeiden mukaisesti huomioiden myös työolosuhteet ja suoritettava työ.** Sähkötyökäluun käyttö muuhun kuin suunniteltuun käyttötarkoitukseen voi aiheuttaa vaarallisen tilanteen
- **Pidä kahvat ja tartuntapinnat kuivina, puhtaina, öljyttöminä ja rasvattomina.** Liukkaat kahvat ja tartuntapinnat eivät mahdollista työkalun turvallista käsittelyä ja hallintaa odottamattomissa tilanteissa.

AKKUTYÖKÄLUN KÄYTTÖ JA YLLÄPITO

- **Lataa uudelleen vain valmistajan määrittämällä latauslaitteella.** Latauslaite, joka sopii yhdelle akkuyksikkötyypille, voi toisen akkuyksikön kanssa käytettynä aiheuttaa tulipaloriskin.
- **Käytä sähkötyökäluja ainoastaan erityisesti niitä varten tarkoitettujen akkuyksiköiden kanssa.** Kaikkien muiden akkuyksiköiden käyttö voi aiheuttaa loukkaantumis- ja tulipaloriskin.
- **Kun akkuyksikköä ei käytetä, pidä se kaukana metalliesineistä, kuten paperiliittimistä, kolikoista,**

avaimista, nauloista, ruuveista tai muista pienistä metalliesineistä, jotka voivat muodostaa yhteyden napojen välille. Akun napojen yhdistäminen voi aiheuttaa palovammoja tai tulipalon.

- **Nestettä voi vuotaa akusta, jos siihen kohdistuu iskuja; vältä tällöin kontaktia.** Jos kontakti vahingossa tapahtuu, huuhtelee vedellä. Jos nestettä pääsee silmiin, hakeudu myös lääkärin hoitoon. Akkuneste voi aiheuttaa ärsytystä tai palovammoja
- **Älä käytä akkuja tai työkaluja, joka on vaurioitunut tai jota on muutettu.** Vaurioituneet tai muutetut akut voivat käyttäytyä arvaamattomasti ja aiheuttaa tulipalon, räjähdyksen tai henkilövahingon vaaran.
- **Älä altista akkuja tai työkaluja tulelle tai äärimmäisille lämpötiloille.** Altistaminen yli 130 °C:n lämpötilalle voi aiheuttaa räjähdyksen.
- **Noudata kaikkia latausohjeita. Älä lataa akkuja tai työkaluja lämpötilassa, joka ole ohjeissa ilmoitetun lämpötila-alueen sisällä.** Virheellinen lataaminen tai lataaminen ilmoitetun lämpötila-alueen ulkopuolella olevassa lämpötilassa voi vaurioittaa akkuja ja lisätä palovaaraa.

HUOLTO

- **Huollata sähkötyökäluasi asiantuntijalla korjaajalla, joka käyttää vain identtisiä varaosia.** Näin taataan sähkötyökäluun turvallisuuden säilyminen.
- **Älä koskaan huolla vaurioituneita akkuja.** Akkujen huollon saa tehdä vain valmistaja tai sen valtuuttamat huoltoliikkeet.

LUE KAIKKI OHJEET ENNEN TÄMÄN TUOTTEEN KÄYTTÖÄ!

OPETTELU

- **Älä anna lasten tai henkilöiden, joilla on alentunut fyysinen, aistillinen tai henkinen toimintakyky tai joilta puuttuu kokemusta ja tietoa tai jotka eivät tunne näitä ohjeita, käyttää laitetta.**
- **Käyttäjä on vastuussa onnettomuuksista tai vaaratilanteista, jotka tapahtuvat muille ihmisille tai heidän omaisuudelleen.**

VALMISTELU

- **Sähkötyökäluja voi käyttää sateessa tai kosteissa olosuhteissa. Kuivaa sähkötyökälu työn lopettamisen jälkeen.**
- **Tarkista paristot tai akku vaurioiden varalta ennen käyttöä.** Älä käytä laitetta, jos paristot tai akku ovat vahingoittuneet.

F

TOIMINTA

- Sähkötyökalu voi käyttää sateessa tai kosteissa olosuhteissa. Kuivaa sähkötyökalu työn lopettamisen jälkeen.
- Irrota paristot tai akku:
 1. Aina kun jätät laitteen johonkin;
 2. Ennen kuin puhdistat tukoksen;
 3. Ennen kuin tarkistat tai puhdistat laitteen tai teet sille jotain muuta;
 4. Jos laite alkaa väristä epänormaalisti.
- Varmista, että seisot tukevasti rinteissä.
- Kävele, älä juokse.
- Huolehdi, että viilennykseen käytettävien ilmanottoaukkojen edessä ei ole irtoainesta.
- Suosittelemme laitteen käyttöä vain hyväksyttävänä aikana – aikaisin aamulla tai myöhään illalla ihmiset saattavat häiriintyä.
- Suosittelemme pintojen vähäistä kostuttamista tomuisissa ympäristöissä, tai voit käyttää sumutinlisäosaa.

VAROITUS: Pyörivien osien vaara!

- Käytä täyden puhaltimen suutinjatketta, niin ilmavirtaus toimii lähellä maata.
- Älä käytä laitetta avointen ikkunoiden ym. lähellä.

YLLÄPITO JA VARASTOINTI

- Varmista, että kaikki mutterit, pultit ja ruuvit ovat tiukasti kiinni, jotta laite on turvallinen käyttöä.
- Korvaa kuluneet tai vahingoittuneet osat.
- Käytä vain virallisia varaosia ja lisävarusteita.
- Säilytä laite kuivassa paikassa.

VAROITUS: Tulipalo-, sähköisku- tai loukkaantumisvaaran vähentämiseksi:

TÄRKEÄÄ

LUE KÄYTTÖOHJEET ENNEN KÄYTTÖÄ.

SÄILYÄ MYÖHEMPÄÄ TARVETTA VARTEN.

- Älä salli puhaltimen käyttämistä leikkikaluna. Ole tarkkaavainen, jos lapset käyttävät laitetta tai laitetta käytetään lasten lähellä.

- Jos puhallin ei toimi kuten sen pitäisi tai se on pudonnut, vahingoittunut tai pudonnut veteen, palauta se huoltoliikkeeseen.
- Älä laita esineitä mihinkään aukkoihin. Älä käytä, jos jokin aukko on tukossa; pidä aukot puhtaina tomusta, nukasta, hiuksista tai muusta, joka voi aiheuttaa ilmanvirtauksen vähenemistä.
- Ole erityisen varovainen, kun puhdistat portaita.
- Älä jätä puhallinta ilman valvontaa, jos akun pistotulppa on liitetty. Poista akku, kun puhallinta ei käytetä ja ennen huoltoa.
- Älä käsittele laturia, mukaan lukien laturin pistotulppa, tai latausnapoja märin käsin.
- Älä lataa akkua ulkona.

VAROITUS:

- Akku tulee poistaa laitteesta ennen laitteen hävittämistä.

- Akku tulee hävittää turvallisesti.

- **ÄLÄ** yritä poistaa tukoksia laitteesta ilman, että olet ensin irrottanut akun.
- **Pidä puhallin ja sen otin kuivana, puhtaana, öljyttömänä ja rasvattomana. Käytä aina puhdasta liinaa puhdistukseen.** Älä käytä jarrunesteitä, bensiiniä, öljypohjaisia tuotteita tai voimakkaita liuottimia puhaltimen puhdistamisessa. Tämän säännön noudattaminen vähentää hallinnan menetystä ja kuorten muovin rapistumista.
- **Akut saattavat räjähtää, jos läsnä on syytyslähde, kuten syytysliekki.** Vakavan henkilövamman välttämiseksi langattomia ei tule käyttää avotulen lähellä. Räjähäntynyt akku saattaa singota irto-osia ja kemikaaleja ympärilleen. Altistumisen tapahtuessa huuhtelee välittömästi vedellä.
- **Älä käytä laitetta ilman, että siihen on kiinnitetty oikeat varusteet. Varmista aina, että puhaltimen putki on asennettu.**
- **Älä ikinä käytä puhallinta lähellä tulta tai kuumaa tuhkaa.** Käyttö tulen tai tuhkan saattaa levittää tulipaloja ja aiheuttaa vakavia vammoja ja/tai omaisuusvahinkoja.
- **Älä käytä puhallinta kemikaalien, lannoitteiden tai muiden myrkyllisten aineiden levitykseen.** Näiden aineiden levitys saattaa aiheuttaa vakavia vammoja käyttäjälle tai sivullisille.

- Säilytä nämä ohjeet. Lue ohjeet säännöllisesti ja käytä niitä muiden työkalujen käyttäjien ohjeistamisessa. Jos lainaat tämän laitteen jollekulle muulle, lainaa samalla myös nämä ohjeet laitteen väärinkäytön tai mahdollisen vammian estämiseksi.

SÄILYTÄ NÄMÄ OHJEET!

MÄÄRITYKSET

Jännite	56 V
Ilman aerostaattinen tilavuus maksimitason	1020 m ³ /t
Ilman virtausnopeuden maksimitason	232 km/ t
Suurin puhaltimen teho	19 N
Suosittelun käyttölämpötila	-15°C-40°C
Suosittelun säilytyslämpötila	-20°C-70°C
Arvioitu toiminta-aika (EGO 56 V:n akulla 5,0 Ah)	15 min (Tehostus)
	22 min (Korkea nopeus)
	120 min (Alhainen nopeus)
Puhaltimen paino (ilman akkua, putken kanssa)	5,7 kg
Mitattu äänen tehotaso L _{WA}	94,6 dB(A) K=0,8 dB(A)
Äänenpaineen taso käyttäjän korvien tasolla L _{PA}	82 dB(A) K=2,5 dB(A)
Taattu äänen tehotaso L _{WA} (mitattu 2000/14/EC:n mukaisesti)	95 dB(A)
Väriin a _n	0,522 m/s ² K=1,5 m/s ²

- Ilmoitettu värinän kokonaisarvo on mitattu standardikoemenetelmän mukaan ja sitä voidaan käyttää verrattaessa työkaluja keskenään.
- Ilmoitettua värinän kokonaisarvoa voidaan myös käyttää altistumisen ennakkoarvioinnissa.

HUOMAUTUS: Sähkötyökalun todellisen käytön aikana ilmenevä värinä voi erota työkalun käytölle ilmoitetusta arvosta. Käyttäjän suojelemiseksi on todellisissa käyttöolosuhteissa käytettävä käsineitä ja kuulosuojaimia.

PAKKAUSLUETTELO

OSAN NIMI	MÄÄRÄ
Puhallin	1
Puhaltimen putki	3
Käyttäjän käsikirja	1

KUVAUS

TUNNE PUHALTIMESI (kuva A & B)

1. Kahva
2. Akun vapautuspainike
3. Salpa
4. Sähköliitännät
5. Poistomekanismi
6. Ilmanotto
7. Etuputki (Kaareva litteä putki)
8. Ilman poisto
9. Etuputki (Lieriomainen putki)
10. Keskiputki
11. Ohjaukakahva
12. Säädettävät tukivaljaat
13. Puhallinputken säilytysnappi
14. Tehostuspainike
15. Nopeus/lukitusvalitsin
16. Ilmannopeuden liipaisin
17. Siipimutteri
18. Putken ripustusura

VAROITUS: Tuotteen turvallinen käyttö edellyttää työkalussa mainittujen ja tämän käyttöohjeen tietojen ymmärtämistä ja sen työn tuntemista, johon tuotetta käytetään. Pehdy ennen tuotteen käyttöä kaikkiin toimintoihin ja turvamääräyksiin.

KOKOAMINEN

VAROITUS: Jos jokin osa on vahingoittunut tai puuttuu, älä käytä tuotetta ennen kuin osat on vaihdettu. Tuotteen käyttö silloin, kun siinä on vahingoittuneita tai puuttuvia osia, saattaa aiheuttaa vakavan henkilövamman.

VAROITUS: Älä yritä muokata tätä laitetta tai luoda sille lisävarusteita, joita ei suositella käytettäväksi tämän puhaltimen kanssa. Mikä tahansa tällainen muokkaus tai muutos on väärinkäytös ja saattaa aiheuttaa vaarallisen tilan, joka saattaa johtaa vakavaan henkilövammaan.

VAROITUS: Poista akku työkalusta aina, kun kokoat osia. Näin varmistat, ettei laite käynnisty vahingossa eikä aiheuta vakavia henkilövahinkoja.

PUHALTIMEN PUTKIEN KOKOAMINEN

- Puhaltimessa on kolme putkea: kaksi etuputkea (lieriömäinen putki ja kaareva litteä putki) ja keskiputki (kuva C).
- Kiinnitä ensin lieriömäinen putki keskiputkeen. Kohdista kumpikin lieriömäisen putken ura keskiputken nuppiin (kuva D).
- Paina keskiputkea eteenpäin, kunnes nuppi tarttuu jompaankumpaan uraan. Kierrä keskiputkea sitten nuolen suuntaan, kunnes nuppi siirtyy lukittuun asentoon (kuva E).

Kuvien C ja D osien kuvaus alla:

C-1	Lieriömäinen putki	D-1	Nuppi
C-2	Kaareva litteä putki	D-2	Urat eri lukitusasentoihin
C-3	Keskiputki		

HUOMAA: Ennen kuin keskiputki on lukittunut paikoilleen kiertämisen seurauksena, tunnet sisäänrakennetun vasteen, joka aiheuttaa hieman vastarintaa. Jatka putken kiertämistä vasteen ohi, kunnes se liukuu täysin lukittuun asentoon.

- Voit lyhentää tai pidentää putken pituutta mieltymystesi mukaan lukitsemalla keskiputken eri lukitusasentoon (kuva F).

Kuvan F osien kuvaus alla:

F-1	Lukittuna ensimmäiseen lukitusasentoon
F-2	Lukittuna toiseen lukitusasentoon

- Kiinnitä putkikokoonpano puhaltimen koteloon samalla tavalla (kuva G).

Asenna samassa järjestyksessä kaareva litteä putki puhaltimeen.

- Kun haluat irrottaa putkikokoonpanon puhaltimen kotelosta tai erottaa kaksi putkea toisistaan, käännä putkea ensin vapautussuuntaan lukon vapauttamiseksi ja vedä putkea sitten suoraan ulospäin.

KÄYTTÖ

VAROITUS: Älä sorru huolimattomuuteen, vaikka tuntisitkin tuotteen jo hyvin. Muista, että muutaman sadasosasekunnin huolimattomuus riittää aiheuttamaan vakavan henkilövahingon.

VAROITUS: Älä käytä lisälaitteita tai lisävarusteita, jos tämän tuotteen valmistaja ei ole suositellut niitä. Muiden kuin suositeltujen varusteiden ja lisätarvikkeiden käyttö saattaa aiheuttaa vakavan henkilövahingon.

VAROITUS: Poista akku laitteesta aina, kun kokoat osia, teet muutoksia tai puhdistat laitetta tai kun et käytä sitä. Näin varmistat, ettei laite käynnisty vahingossa eikä aiheuta vakavia henkilövahinkoja.

Ennen jokaista käyttökertaa tarkista laite kokonaisuudessaan vahingoittuneiden, puuttuvien tai löystyneiden osien varalta, kuten ruuvit, mutterit, pultit, korkit jne. Kiinnitä kaikki kiinnittimet ja korkit tiukasti, äläkä käytä laitetta ennen kuin kaikki puuttuvat tai vahingoittuneet osat on vaihdettu.

HUOMAA: Jos tulee hätätilanne, vapauta heti rintahihnan solki puhaltimen irrottamiseksi.

KÄYTTÄMINEN

Voit käyttää laitetta alla lueteltuihin tarkoituksiin:

- Kovien pintojen, kuten ajoteiden ja jalkakäytävien, puhdistamiseen.
- Tasanteiden ja ajoteiden puhdistaminen lehdistä ja neulasista.

HUOMAA: Laitetta tulee käyttää vain sille tarkoitettuun tarkoitukseen. Kaikki muu käyttö katsotaan väärinkäytöksi.

AKUN ASENNUS/POISTAMINEN

LATAA ENNEN ENSIMMÄISTÄ KÄYTTÖKERTAA.

Käytä vain kuvassa A lueteltujen akkujen ja latureiden kanssa.

HUOMAUTUS: Parhaan suorituskyvyn saamiseksi suosittelemme käyttämään EGO 56 V -akku BA2800 (5,0 Ah) tai mitä tahansa tätä korkeamman kapasiteetin EGO 56 V -akku.

Asennus (kuva H)

Aseta akun urat kiinnitysaukkoihin ja paina akku alaspäin, kunnes kuulet naksahduksen.

Poistaminen (kuva I)

Paina akun vapautuspainiketta ja vedä akku ulos.

VAROITUS: Huomioi aina, missä omat jalkasi, lapset tai lemmikit ovat, kun painat akun vapautuspainiketta. Jos akku putoaa, se voi aiheuttaa vakavan vamman. Älä IKINÄ poista akku, jos se on korkealla.

SELÄSSÄ KANNETTAVAN PUHALTIMEN ASETTAMINEN

VAROITUS: Pukeudu asianmukaisesti, niin vähennät loukkaantumisvaaraa tätä laitetta käyttäessäsi. Älä käytä välijä vaatteita tai koruja. Käytä suojalaseja ja kuulosuojaimia. Käytä paksuja, pitkälahkeisia housuja, kunnollisia jalkineita ja suojakäsineitä. Älä käytä lyhytlahkeisia housuja, sandaaleita tai ole paljain jaloin.

Tukivaljaiden säätäminen

1. Työnnä kätesi valjaiden hihnojen läpi, jotta tuet puhaltimen selkääsi.
2. Säädä kumpikin olkahihna itsellesi miellyttävään asentoon (kuva J) varmistaen, että kyynärpäsi on mukavasti.
3. Napsauta rintahihnan solkea ja säädä se tarvittavaan pituuteen (kuva K).
4. Napsauta vyötäröhihnan solkea ja säädä se sellaiseen pituuteen, että selkäkannatin on kunnolla tuettu lanteeseen (kuvat L ja M).

HUOMAA: Selkäkannatin ei saa olla liian korkealla selässä; sen tulee olla lähempänä lannetta kuin olkapäitä.

5. Säädä olkahihnat uudelleen turvallisuuden ja mukavuuden takia. Varmista, että selkäkannatin istuu tukevasti selässä, vyötäröhihna tukee painoa, eikä kannatin siirry, kun liikut (kuva N).
6. Työnnä kaikki ylimääräinen hihnanpituus vyötärön ympäriltä kummassakin sivussa olevaan pidikkeeseen (kuva O).
7. Voit irrottaa työkalun selästä avaamalla vyötärö- ja rintahihnan niiden solkia painamalla, laske sitten työkalu alas (kuva P).

Ohjauskahvan säätäminen

1. Säädä kahvaa eteenpäin tai taaksepäin tarpeen mukaan irrottamalla siipimutteri (kuvat Q ja R). Kiinnitä sitten kahvan asento kiristämällä siipimutteri.
2. Voit myös kiertää kahvaa tarpeen mukaan käyttömukavuuden lisäämiseksi (kuva S).
3. Voit laajentaa puhdistusaluetta siirtämällä putkea vasemmalle tai oikealle (kuva T).

PUHALTIMEN KÄYNNISTYS/SAMMUTUS (kuva U)

Vain ilmannopeuden liipaisin

- Kytke puhallin päälle painamalla ilmannopeuden liipaisinta.
- Puhaltimen ilmannopeutta ohjataan nopeutta säätävällä liipaisimella. Jos painat liipaisinta enemmän, puhallusnopeus on suurempi. Jos painat liipaisinta kevyemmin, puhallusnopeus on hitaampi. Säädä

nopeus tehtävän työn mukaan.

- Kytke puhallin pois päältä vapauttamalla ilmannopeuden liipaisin.

Vain nopeus/lukitusvalitsin

Puhallin voidaan kytkeä päälle ja lukita missä tahansa nopeudessa käyttämällä nopeus/lukitusvalitsinta.

- Käynnistä puhallin kääntämällä nopeus/lukitusvalitsinta myötapäivään. Ilmannopeus nousee, kun valitsinta käännetään myötapäivään.
- Voit laskea ilmannopeutta kääntämällä nopeus/lukitusvalitsinta vastapäivään. Jatka nopeus/lukitusvalitsimen kääntämistä vastapäivään off-asentoon asti, jolloin puhallin kytkeytyy pois päältä.
- Jatka nopeus/lukitusvalitsimen kääntämistä vastapäivään off-asentoon asti, jolloin puhallin kytkeytyy pois päältä.

Huomautus: Jos nopeus/lukitusvalitsinta ei käännetä takaisin off-asentoon ennen puhaltimen päälle kytkemistä, puhallin ei käynnisty nopeus/lukitusvalitsimella, kun ladattu akku yhdistetään. Tämä on suojaustoimenpide, joka estää tahattoman käynnistymisen. Ilmannopeuden liipaisimen painaminen voi poistaa suojauksen käytöstä.

Painamalla tehospainiketta työskentelyn aikana nostat ilmannopeuden maksimi tasolle. Puhallin palaa edelliseen nopeuteen, kun tehospainike vapautetaan.

Kuvan U osien kuvaus alla:

U-1	Nopeus/lukitusvalitsin	U-3	Ilmannopeuden liipaisin
U-2	Tehospainike		

VINKKEJÄ PUHALTIMEN KÄYTTÖÖN

- Välttääksesi roskien leviämisen, puhalla roskakasan ulkoreunojen ympäriitä. Älä ikinä puhalla kasan keskelle.
- Rajoita käytössä olevien laitteiden määrää, jos äänentasoa on alennettava.
- Käytä haravaa ja harjaa irrottamaan roskat ennen puhaltamista. Kostuta pintoja hieman pölyisissä olosuhteissa, jos vettä on saatavilla.
- Varo lapsia, lemmikkejä, avoimia ikkunoita tai juuri pestyjä autoja ja pidä huolta, että puhallat irtoaineksen turvallisesti pois.
- Kun olet käyttänyt puhaltimia tai muita laitteita, siivoa jälkesi! Hävitä irtoaines oikeaoppisesti.
- Puhaltimen pitkäaikainen käyttö suurella nopeudella ei ole suositeltavaa, sillä kova värinä ja melu voivat olla haitallisia terveydellesi.

HUOLTO

VAROITUS: Käytä huollon yhteydessä vain valmistajan hyväksymiä varaosia. Muiden osien käyttö voi aiheuttaa vaaran tai vahingoittaa tuotetta. Valtuutetun huoltoteknikon tulee suorittaa kaikki korjaukset, jotta voidaan taata tuotteen turvallinen ja luotettava käyttö.

VAROITUS: Irrota vakavien henkilövahinkojen välttämiseksi akkuyksikkö aina tuotteesta, kun puhdistat sitä tai suoritat siihen jonkin huoltotoimenpiteen.

PERUSHUOLTO

Vältä liuottimien käyttöä, kun puhdistat muoviosia. Useimmat muoviosat ovat herkkiä erilaisten kaupallisten liuottimien vaikutukselle, ja niiden käyttö voi aiheuttaa muoviosiin vaurioita. Käytä puhtaita liinoja esim. lian, pölyn, öljyn ja rasvan poistamiseen.

VAROITUS: Älä milloinkaan päästä esim. jarrunesteitä, bensiiniä, petrolipohjaisia tuotteita tai ruosteenirrotusöljyjä kosketuksiin muoviosien kanssa. Kemikaalit voivat vahingoittaa, heikentää tai tuhota muovia, mistä voi olla seurauksena vakava henkilövahinko.

VARASTOINTI

- Irrota akku puhaltimesta.
- Puhdista kaikki epäpuhtaudet puhaltimen ilmanottoaukoista.
- Kohdista puhallinputken säilytysnuppi putken ripustusuraan ja ripusta puhallinputki akkukoteloon (kuvat V ja W).
- Säilytä suljetussa paikassa, johon lapset eivät pääse. Pidä poissa syövyttävien aineiden, kuten puutarhakemikaalien ja jäänestosuolojen, läheltä.

Kuva V osien kuvaus alla:

V-1	Puhallinputken säilytysnuppi
V-2	Putken ripustusura

Ympäristönsuojelu



Älä hävitä sähkölaitteita, akun latauslaitteita ja akkuja/ladattavia akkuja kotitalousjätteen mukana!

Euroopan parlamentin ja neuvoston direktiivin 2012/19/EU mukaan sähkö- ja elektroniikkalaitteet, jotka eivät ole enää käyttökelpoisia, ja Euroopan parlamentin ja neuvoston direktiivin 2006/66/EY mukaan vialliset tai käytetyt akkuyksiköt/ akut täytyy kerätä erikseen ja hävittää ympäristöystävällisellä tavalla.

Jos sähkölaitteet hävitetään viemällä kaatopaikoille tai roskaläjiin, vaarallisia aineita voi vuotaa pohjaveteen ja päästä ravintoketjuun ja vahingoittaa täten ihmisten terveyttä ja hyvinvointia.

VIANETSINTÄ

ONGELMA	SYY	RATKAISU
Puhallin ei toimi.	<ul style="list-style-type: none"> Akkuyksikköä ei ole asetettu puhaltimeen. Ei sähkökontaktia puhaltimen ja akun välillä Akkuyksikkö on tyhjä. Akkuyksikkö tai puhallin on liian kuuma. Kytöntä käytetään liian usein lyhyessä ajassa. PCB-suojaus. Nopeus/lukitusvalitsin ei käänny takaisin off-asentoon ennen kuin puhallin käynnistetään. 	<ul style="list-style-type: none"> Aseta akkuyksikkö puhaltimeen Irrota akku, tarkasta koskettimet ja asenna akkuyksikkö takaisin. Lataa akkuyksikkö. Jäähdytä akkuyksikköä ja puhallinta, kunnes lämpötila laskee alle 67 °C:een. Poista suojaus painamalla ilmannopeuden liipaisinta ja käynnistämällä puhallin tai kääntämällä ensin nopeus/lukitusvalitsin off-asentoon.
Ilman virtausnopeus pienenee selkeästi.	<ul style="list-style-type: none"> Moottorin tuuletin kuluu liikaa. Lehdet ja muut roskat tukkivat ilmanottoaukon. 	<ul style="list-style-type: none"> Ota yhteyttä EGO- huoltopisteeseen korjausta varten Irrota akkuyksikkö, puhdista lehdet ja muut roskat.
Puhallin sammuu käytettäessä tehostustoiminnolla.	<ul style="list-style-type: none"> Puhallin on ottanut suuren virran akusta ja siirtynyt itsesuojaustilaan. 	<ul style="list-style-type: none"> Kytke pois valintakytkimestä, käynnistä puhallin sitten uudelleen, kun akun LED on sammunut. Irrota akku ja kytke akku takaisin puhaltimen käynnistämiseksi.

FI

TAKUU

EGO-TAKUUKÄYTÄNTÖ

Katso verkkosivuilta osoitteesta egopowerplus.com EGO-takuukäytännön ehdot ja edellytykset kokonaisuudessaan.

LES ALLE INSTRUKSJONER!



LES OG FORSTÅ INSTRUKSJONSBOKEN

MERK: Disse instruksjonene skal også være tilgjengelige i et alternativt format, for eksempel på en nettside.

⚠ Restrisiko! Personer med elektroniske enheter, for eksempel pacemakere, må rådføre seg med lege før de bruker dette produktet. Drift av elektrisk utstyr i umiddelbar nærhet av en pacemaker kan føre til at pacemakeren forstyrres eller svikter.

⚠ ADVARSEL: For sikre både sikkerheten og påliteligheten, skal alle reparasjoner utføres av en kvalifisert servicetekniker.

NO

SIKKERHETSSYMBOLER

Formålet med sikkerhetssymbolene er å trekke oppmerksomheten din mot mulige faresituasjoner. Sikkerhetssymbolene og forklaringene krever din full oppmerksomhet og forståelse. Symbolvarslene eliminerer ikke farer på egen hånd. Instruksjonene og advarslene som finnes i dem er ikke erstatninger for passende ulykkesforebyggende tiltak.

⚠ ADVARSEL: Sørg for å lese og forstå alle sikkerhetsanvisningene i denne bruksanvisningen, inkludert alle sikkerhetsvarselssymboler så som «FARE», «ADVARSEL» og «FORSIKTIG» før du bruker dette verktøyet. Hvis du ikke følger alle instruksjonene nedenfor, kan det føre til elektriske støt, brann og/eller alvorlig personskade.

SKADEFOREBYGGING OG INFORMASJONSMELDINGER

Disse forteller brukeren om viktig informasjon og/eller instruksjoner som kan føre til at utstyr tar skade, eller andre materielle skader hvis de ikke følges. Hver melding har ordet «MELDING» i forkant, som i eksempelet nedenfor:

MERK: Utstyr og/eller materielle skader kan oppstå hvis disse instruksjonene ikke følges.



⚠ ADVARSEL: Bruk av hvilke som helst elektroverktøy kan føre til at fremmedlegemer blir kastet mot øynene, og dette kan føre til alvorlig øyeskader. Før du begynner å bruke elektroverktøyet, skal du alltid bruke vernebriller eller vernebriller med sidebeskyttelse, og en full ansiktsskjerm der det trengs. Vi anbefaler en sikkerhetsmaske med bredt synsfelt til bruk over briller, eller standard vernebriller med sidebeskyttelse.

SIKKERHETSINSTRUKSJONER

Denne siden viser og beskriver sikkerhetssymboler som finnes på produktet. Les, forstå og følg alle instruksjoner på maskinen før begynner montering og bruk.

	Sikkerhetsvarsel	Forsiktighetsregler som har med sikkerheten din å gjøre.
	Bruk vernebriller	Bruk alltid vernebriller eller vernebriller med sidebeskyttelse, og full ansiktsskjerm når du bruker dette produktet.
	Bruk hørselsvern	Hørselsvern er påbudt når produktet brukes.
	Les brukermanualen.	For å redusere risikoen for skader, må brukeren lese bruksanvisningen.
	Hold tilskuere borte.	Hold alle tilskuere minst 15 m unna.
V	Volt	Spenning
A	Ampere	Strøm
Hz	Hertz	Frekvens (sykluser per sekund)
W	Watt	Effekt
min	Minutter	Klokkeslett
m ³ /h	Kubikkmeter i timen	Luftvolum
km/h	Kilometer i timen	Lufthastighet
	Vekselstrøm	Typen spenning
	Likestrøm	Type eller karakteristikk for spenningen
n ₀	Hastighet uten last	Rotasjonshastighet, uten last
... /min	Pr. minutt	Omdreining pr. minutt

Når du bruker elektriske apparater, skal du alltid følge grunnleggende sikkerhetsregler, inkludert følgende:

GENERELLE SIKKERHETSADVARSLER FOR ELEKTROVERKTØY

⚠️ ADVARSEL: GJØR DEG KJENT MED ALLE SIKKERHETSADVARSLERNE, INSTRUKSJONENE, ILLUSTRASJONENE OG SPESIFIKASJONENE SOM FØLGER MED DETTE ELEKTROVERKTØYET. Manglende etterlevelse av alle instruksjonene under kan resultere i elektrisk støt, brann og/eller alvorlig skade **TA VARE PÅ ALLE ADVARSLER OG INSTRUKSJONER FOR FREMTIDIG BRUK.**

Betegnelsen “elektroverktøy” i advarslene refererer til hovednettdrevne (med ledning) elektroverktøy eller batteridrevne (trådløs) elektroverktøy.

SIKKERHET I ARBEIDSRÅDET

- **Hold arbeidsområdet rent og godt opplyst.** Rotete eller mørke områder inviterer til ulykker.
- **Ikke bruk maskinen i eksplosjonsfarlig atmosfære, for eksempel der det finnes brennbare væsker, bensin eller støv i nærheten.** Elektroverktøy lager gnister som kan antenne støv eller damper.
- **Hold barn og andre personer unna når elektroverktøyet er i bruk.** Distraksjoner kan føre til at du mister kontrollen.

ELEKTRISK SIKKERHET

- **Støpselet til verktøyet må passe inn i stikkkontakten.** Støpselet må ikke forandres på noen måte. **Ikke bruk adapterstøpsler sammen med jordede elektroverktøy.** Umodifiserte støpsler og passende stikkontakter reduserer risikoen for elektrisk støt.
- **Unngå kroppskontakt med jordete overflater så som rør, radiatorer, komfyrer og kjøleskap.** Det er økt risiko for elektrisk støt hvis kroppen din er jordet.
- **Ikke utsett elektroverktøy for regn eller våte forhold.** Kommer det vann inn i et elektroverktøy, øker risikoen for elektriske støt.
- **Ikke misbruk ledningen. Bruk aldri ledningen til å bære, trekke eller trekke ut elektroverktøyet. Hold ledningen unna varme, olje, skarpe kanter eller bevegelige deler.** Skadede eller sammenviklede ledninger øker risikoen for elektriske støt.
- **Når du bruker et elektroverktøy utendørs, må du bruke skjøteledning som er godkjent for utendørs bruk.** Bruk av en ledning som er egnet for utendørs bruk, reduserer risikoen for elektriske støt.
- **Hvis du er nødt til å bruke et elektroverktøy i fuktige omgivelser, skal du bruke en jordfeilbryter-**

beskyttet strømforsyning. Bruk av GFCI reduserer risikoen for elektrisk støt.

PERSONLIG SIKKERHET

- **Vær oppmerksom, pass på hva du gjør og bruk sunn fornuft når du bruker elektroverktøy. Ikke bruk elektroverktøy når du er trøtt eller er påvirket av narkotika, alkohol eller medikamenter.** Et øyeblikks uoppmerksomhet ved bruk av elektroverktøy kan føre til alvorlige personskader.
- **Bruk personlig verneutstyr. Bruk alltid vernebriller.** Verneutstyr som støvmasker, sklisiske vernesko, hjelm eller hørselsvern i egnede forhold reduserer risikoen for personskader.
- **Unngå utilsiktet start. Pass på at bryteren er i av-stilling før du kobler til strømkilden og/eller batteripakken, plukker opp eller bærer verktøyet.** Å bære elektroverktøy med fingeren på bryteren eller å slå på verktøy som har bryteren på er å invitere til ulykker.
- **Fjern eventuelle justeringsnøkler før du slår på elektroverktøyet.** Et verktøy eller en nøkkel som sitter igjen i en roterende del av elektroverktøyet kan føre til personskade.
- **Ikke strekk deg over. Pass på å ha skikkelig fotfeste og balanse til enhver tid.** Dette muliggjør bedre kontroll over elektroverktøyet i uventede situasjoner.
- **Kle deg riktig. Ikke bruk løstsittende klær eller smykker. Hold hår, klær og hansker unna bevegelige deler.** Løse klær, smykker eller langt hår kan sette seg fast i bevegelige deler.
- **Hvis det følger med utstyr for tilkoping av støvavsug og oppsamlingsutstyr, skal disse koples til og brukes riktig.** Bruk av støvenheter kan redusere støvrelaterte farer.
- **Selv om du har opparbeidet deg erfaring gjennom hyppig bruk av verktøyet må du alltid være årvåken og følge sikkerhetsinstruksjonene.** En uforsiktig handling kan forårsake alvorlig personskade med en brøkdel av et sekund.

BRUK AV OG OMSORG FOR ELEKTROVERKTØY

- **Ikke tving elektroverktøyet. Bruk det riktige elektroverktøyet til det du skal gjøre.** Det riktige elektroverktøyet vil gjøre jobben bedre og sikrere, i den hastigheten som det ble laget for.
- **Ikke bruk elektroverktøyet hvis bryter ikke slår det på og av.** Elektroverktøy som ikke kan kontrolleres med bryteren, er farlig og må repareres.

NO

- **Koble støpselet fra strømkilden og/eller ta batteripakken ut av verktøyet før du foretar justeringer, skifter tilbehørsdeler eller legger bort maskinen.** Slike forebyggende sikkerhetstiltak reduserer risikoen for at verktøyet starter ved et uhell.
- **Oppbevar elektroverktøy utilgjengelig for barn, og ikke la personer som ikke er kjent med verktøyet eller disse instruksjonene betjene maskinen.** Elektroverktøy er farlige når de brukes av uerfarne personer.
- **Vedlikehold av elektroverktøy. Se etter feiljusteringer eller oppbinding av bevegelige deler, skadede deler og eventuelle andre forhold som kan påvirke elektroverktøyet funksjon. Hvis skadet, må elektroverktøyet repareres før bruk.** Mange ulykker er forårsaket av dårlig vedlikeholdte elektroverktøy.
- **Hold kutteverktøyet skarpt og rent.** Riktig vedlikehold av kutteverktøy med skarpe kanter gjør at det er mindre sannsynlighet for oppbinding, og at det er lettere å kontrollere.
- **Bruk elektroverktøy, tilbehør, verktøy, osv. i henhold til disse anvisningene, og ta hensyn til arbeidsforholdene og arbeidet som skal utføres.** Bruk av elektroverktøy til andre formål enn det som er angitt kan føre til farlige situasjoner.
- **Hold håndtakene og gripeflatene tørre, rene og fri for olje og fett.** Glatte håndtak og gripeflater vil gjøre det vanskelig å kontrollere verktøyet og håndtere det på en sikker måte i uventede situasjoner.

NO

BRUK AV OG OMSORG FOR BATTERIVERKTØY

- **Lades bare med ladere som er spesifisert av produsenten.** En lader som passer for én type batteripakke kan skape fare for brann når den brukes med andre batteripakker.
- **Elektroverktøyet skal bare brukes med den spesifiserte batteripakken.** Bruk av andre batteripakker kan skape risiko for skader og brann.
- **Når batteriet ikke er i bruk, skal det holdes unna andre metallgjenstander så som binders, mynter, nøkler, spikere, skruer eller andre små metallgjenstander som kan lage forbindelse fra én terminal til en annen.** Kortslutning av batteripolene kan forårsake brannskader eller brann.
- **Under skadelige forhold, kan væske kastes ut fra batteriet. Unngå kontakt. Hvis kontakt oppstår ved uhell, skyl med vann. Hvis man får væske i øynene, skal det i tillegg søkes medisinsk hjelp.** Væske som blir kastet ut av batteriet kan forårsake irritasjon eller brannskader.

- **Ikke bruk en batteripakke eller et verktøy som er skadet eller tilpasset.** Skadde eller modifiserte batterier kan oppføre seg uforutsigbart og medføre brann, eksplosjon eller risiko for personskade.
- **Ikke eksponer batteripakken eller verktøyet for ild eller svært høye temperaturer.** Eksponering for ild eller temperaturer over 130 °C kan forårsake eksplosjon.
- **Følg alle ladeinstruksjonene, og ikke lad batteripakken eller verktøyet utenfor temperaturområdet som er angitt i instruksjonene.** Hvis batteriet lades på feil måte eller ved temperaturer som er utenfor det angitte området, kan batteriet bli skadet og brannrisikoen øke.

SERVICE

- **Elektroverktøyet må repareres av et kvalifisert serviceverksted som kun bruker identiske reservedeler.** Dette opprettholder sikkerheten til elektroverktøyet.
- **Batteripakker som er skadet, må aldri brukes.** Service på batteripakker må bare utføres av produsenten eller autoriserte tjenesteleverandører.

LES ALLE ANVISNINGENE FOR DU TAR APPARATET I BRUK!

OPPLÆRING

- **La aldri barn, personer med reduserte fysiske, sensoriske eller mentale evner eller mangel på erfaring og kunnskap, eller personer som ikke er kjent med disse instruksjonene, bruke elektroverktøyet.**
- **Operatøren er ansvarlig for skade som skjer på andre folk eller annens eiendom.**

FORBEREDELSE

- **Elektroverktøyet kan brukes i regnvær eller fuktige omgivelser. Tørk elektroverktøyet etter at du er ferdig med arbeidet.**
- **Kontroller batteriene eller batteripakkene for skader før bruk.** Ikke bruk produktet hvis batteriene eller batteripakken er skadet.

BRUK

- **Elektroverktøyet kan brukes i regnvær eller fuktige omgivelser. Tørk elektroverktøyet etter at du er ferdig med arbeidet.**

- **Koble fra batterier eller batteripakker:**
 1. Når du forlater maskinen;
 2. Før du fjerner en blokkering;
 3. Før du sjekker, rengjør eller arbeider på produktet;
 4. Hvis apparatet begynner å vibrere unormalt.
- **Sørg alltid for å ha godt fotfeste i hellende terreng.**
- **Gå, aldri løp.**
- **Hold alle kjøleluftinntakene fri for rusk.**
- **Det anbefales at maskinen bare brukes ved tider på døgnet – ikke tidlig på morgenen eller sent på kvelden når folk kan bli forstyrret.**
- **Det anbefales at støvete overflater vêtes lett, eller at vanntåketilbehøret brukes.**

⚠ ADVARSEL: Fare for roterende deler!

- **Bruke det fulle blåsemunnstykke-tilbehøret, slik at luftstrømmen kan arbeide nær bakken.**
- **Ikke bruk maskinen i nærheten av åpne vinduer, osv.**

VEDLIKEHOLD OG OPPBEVARING

- **Hold alle muttere, bolter og skruer stramme for å sikre at produktet er i sikker brukstilstand.**
- **Skift ut slitte eller ødelagte deler.**
- **Bruk bare originale reservedeler og tilbehør.**
- **Apparatet skal bare oppbevares på et tørt sted.**

⚠ ADVARSEL: For å redusere risikoen for brann, elektrisk støt eller personskade:

VIKTIG

LES NØYE FØR BRUK.

OPPBEVARES FOR SENERE REFERANSE.

- **Ikke la blåseren brukes som leketøy. Vær ekstra oppmerksom når den brukes av eller i nærheten av barn.**
- **Hvis blåseren ikke fungerer som den skal, har falt i bakken, er skadet eller har falt ned i vann, må den returneres til et servicesenter.**
- **Ikke putt gjenstander inn i noen åpninger. Ikke bruk hvis åpninger er blokkert – hold åpninger frie for støv, lo, hår og annet som kan redusere luftstrømmen.**

- **Vær ekstra forsiktig ved rengjøring på trapper.**
- **Ikke la blåseren ligge uten tilsyn mens batteristøpset er pluggert inn. Ta ut batteriet når blåseren ikke er i bruk, og før du utfører vedlikehold.**
- **Ikke ta i laderen, inkludert laderens støpsel eller tilkoblingspunkter, med våte hender.**
- **Ikke lad batteripakken utendørs.**

⚠ ADVARSEL:

- Batteripakken må fjernes fra apparatet før det kasseres.
- Batteriet skal avhendes på en sikker måte.
- **IKKE** prøv å fjerne rusk fra enheten uten først å fjerne batteriet.
- **Hold blåseren og håndtak tørre, rene og frie for olje og fett.** Bruk alltid en ren klut til rengjøringen. Bruk aldri bremsevæsker, bensin, petroleumprodukter eller sterke løsemidler for å rengjøre blåseren. Hvis man følger denne regelen, vil det redusere faren for å miste kontrollen, og nedbryting av plastdeler i huset.
- **Batterier kan eksplodere hvis de er nær tennkilder, for eksempel en pilotflamme.** For å redusere risikoen for alvorlig personskade, skal trådløse produkter ikke brukes i nærheten av åpen flamme. Et eksplodert batteri kan kaste ut rester og kjemikalier. Hvis man blir eksponert for dette, skyll straks med vann.
- **Kjør aldri enheten uten riktig utstyr.** Pass alltid på at blåserøret er installert.
- **Bruk aldri viften nær flammer eller varm aske.** Bruk i nærheten flammer eller aske kan spre branner og føre til alvorlig personskade og/eller skade på eiendom.
- **Bruk aldri blåserer for å spre kjemikalier, gjødsel eller andre giftige stoffer.** Spredning av slike stoffer kan føre til alvorlig skade på brukeren eller tilskuere.
- **Ta vare på disse instruksjonene.** Slå gjerne opp i dem, og bruk dem som veiledning for andre som vil bruke verktøyet. Hvis du låner ut verktøyet til andre, må også de få tilgang til denne brukerveiledningen slik at feilbruk av produktet og eventuelle påfølgende skader kan unngås.

TA VARE PÅ DISSE INSTRUKSJONENE!

NO

SPESIFIKASJONER

Spenning	56 V
Maksimal luftvolum	1020 m ³ /t
Maksimal lufthastighet	232 km/t
Maks blåsestyrke	19 N
Anbefalt driftstemperatur	-15°C-40°C
Anbefalt oppbevaringstemperatur	-20°C-70°C
Ca. driftstid (med EGO 56 V-batteri 5,0 Ah)	15 min (Økefunksjon)
	22 min (høy hastighet)
	120 min (lav hastighet)
Løvblåserens vekt (uten batteripakke, med rør)	5,7 kg
Målt lydeffektivnivå L _{WA}	94,6 dB(A) K=0,8 dB(A)
Lydtryknivå ved brukerens øre L _{PA}	82 dB(A) K=2,5 dB(A)
Garantert lydeffektivnivå L _{WA} (målt i henhold til 2000/14/EC)	95 dB(A)
Vibrasjon a _n	0,522 m/s ² K=1,5 m/s ²

NO

- Den deklarererte totale vibrasjonsverdien er målt i overensstemmelse med en standard testmetode, og kan brukes til å sammenligne ett verktøy med et annet;
- Den deklarererte totale vibrasjonsverdien kan også brukes i en foreløpig vurdering av eksponering.

MERK: Vibrasjoner under faktisk bruk av elektroverktøyet kan variere fra den opplyste verdien der verktøyet brukes; For å beskytte brukeren, skal det brukes hansker og hørselsvern under de faktiske bruksforholdene.

PAKKELISTE

NAVN PÅ DEL	MENGDE
Blåser	1
Blåserør	3
Bruksanvisning	1

BESKRIVELSE

KJENN LØVBLÅSEREN DIN (Fig. A & B)

- Håndtak
- Batteriutløsningsknapp
- Lås
- Elektriske kontakter
- Utkastingsmekanisme
- Luftinntak
- Fremre rør (Buet flatt rør)
- Luftinntak
- Fremre rør (Sylindrisk rør)
- Midtre rør
- Kontrollhåndtak
- Regulerbar støttese
- Oppbevaringsknott blåserør
- Økeknapp
- Hastighet/ Lås-på måleuret
- Lufthastighetsutløser
- Vingemutter
- Spor for røroppheng

⚠ ADVARSEL: Sikker bruk av dette produktet krever at man forstår informasjonen på verktøyet og i denne bruksanvisningen, samt at man har kjennskap til prosjektet du prøver deg på. Før bruk av dette produktet, må man gjøre seg kjent med alle driftsfunksjonene og sikkerhetsreglene.

MONTERING

⚠ ADVARSEL: Hvis noen av delene er skadet eller mangler, må du ikke bruke dette produktet før delene er skiftet ut. Bruk av dette produktet med deler som er skadet eller mangler, kan føre til alvorlig personskade.

⚠ ADVARSEL: Ikke forsøk å modifisere produktet eller lage tilbehør som ikke er anbefalt for bruk med denne blåseren. Enhver slik endring eller modifisering er feil bruk, og kan føre til farlige situasjoner og alvorlige personskader.

⚠ ADVARSEL: For å hindre utilsiktet start som kan føre til alvorlig personskade, skal batteripakken alltid tas ut av verktøyet når du monterer deler.

MONTERING AV BLÅSERØR

- Det finnes tre rør til blåseren: to rør foran (et sylindrisk, og et kurvet, flatt rør) og et midtre rør (fig. C).

2. Fest først det sylindriske røret på det midtre røret. Rett inn sporene i det sylindriske røret med knotten på det midtre røret (fig. D).
3. Skyv midtre rør forover til knotten kommer i inngrep med et av sporene. Drei deretter midtre rør i pilens retning til knotten glir inn i låseposisjon (Fig. E).

Se Fig. C og D under for beskrivelse av delene:

C-1	Sylindrisk rør	D-1	Knott
C-2	Buet flatt rør	D-2	Spør for ulike låseposisjoner
C-3	Midtre rør		

MERK: Før du har låst midtre rør på plass ved å dreie det rundt, vil du merke et innlagt stopp som gir noe motstand. Fortsett å dreie røret forbi stoppet til det glir helt inn i den låste posisjonen.

4. Du kan forkorte lengden på røret etter ønske ved å låse midtrøret i forskjellige låseposisjoner (Fig. F).

Se Fig. F under for beskrivelse av delene:

F-1	Låst i første posisjon
F-2	Låst i andre posisjon

5. Koble røret til blåserhuset på samme måte (Fig. G).

Følg den samme sekvensen for å sette sammen det kurvede, flate røret med blåseren.

6. For å ta av røret på blåserhuset eller skille de to rørene dreier du først røret til ulåst posisjon for å frikoble låsemekanismen, og deretter drar du røret rett ut.

BETJENING

⚠ ADVARSEL: Ikke la fortrolighet med dette produktet gjøre deg uforsiktig. Husk at et uforsiktig tiendedel av et sekund er nok til å forårsake alvorlige skader.

⚠ ADVARSEL: Ikke bruk tilbehør eller deler som ikke er anbefalt av produsenten av produktet. Bruk av tilbehør eller deler som ikke er anbefalt, kan føre til alvorlige personskader.

⚠ ADVARSEL: Batteripakken skal alltid fjernes fra produktet når du monterer deler, gjør justeringer, rengjør, eller når det ikke er i bruk. Fjerning av batteripakken vil hindre utilsiktet start, som igjen kan føre til alvorlig personskade.

Før du bruker produktet, skal du kontrollere om det har skader, mangler eller løse deler, for eksempel skruer, muttere, bolter, hetter, osv. Trekk godt til alle festeordninger og hetter, og unngå å bruke produktet før du har fått byttet alle deler som mangler eller er skadet.

MERK: Hvis det oppstår en nødsituasjon, ta av brystspennen rett av for å ta av blåseren.

BRUK

Du kan bruke dette produktet til de formålene som er oppført nedenfor:

- Blåsing av harde overflater så som oppkjørsler og gangveier.
- Holde terrasser og innkjørsler frie for løv og barnåler.

MERK: Verktøyet skal bare brukes til sitt foreskrevne formål. All annen bruk er feil.

INSTALLERE / FJERNE BATTERIPAKKEN

LAD OPP FØR FØRSTE GANGS BRUK.

Bruk kun med batteripakker og ladere som oppført i fig. A

NB: For å oppnå best ytelse, anbefaler vi bruk av EGO 56V batteri BA2800 (5,0 Ah) eller et EGO 56V batteri med høyere kapasitet.

■ Installering (Fig. H)

Juster batteririllene sammen med monteringssporene, og trykk batteripakken ned til du hører et "klikk".

■ Fjerning (Fig. I)

Trykk ned batteriutløserknappen, og trekk batteripakken ut.

⚠ ADVARSEL: Legg alltid merke til hvor føttene dine er, og hvor barn eller kjæledyr er når du trykker på batteriutløserknappen. Alvorlig personskade kan oppstå hvis batteripakken faller ned. ALDRI ta ut batteriet på et høyt sted.

PLASSERING AV LØVBLÅSEREN

⚠ ADVARSEL: Kle deg riktig for å redusere risikoen for skader når du bruker dette verktøyet. Ikke bruk løstsittende klær eller smykker. Bruk vernebriller og øre/hørselsvern. Bruk solide og lange bukser, støvler og hansker. Ikke bruk korte bukser eller sandaler, og ikke gå barbent.

Slik justerer du støtteselene

1. Før armene gjennom ryggstroppene for å feste blåseren til ryggen din.
2. Reguler begge skulderremmene midlertidig så de kjennes behagelige (Fig. J), og sørg for at albuen har det behagelig.
3. Fest brystspennen og juster lengden hvis nødvendig (Fig. K).

NO

4. Fest midjespennen og juster lengden slik at apparatet får god støtte av hoftene (Fig. L og M).

MERK: Apparatet må ikke være for langt opp på ryggen; det skal være nærmere hoftene enn skuldrene.

5. Reguler skulderremmene så de er sikre og komfortable. Pass på at apparatet sitter godt på ryggen, og at vekten støttes av midjerebben. Unngå unødvendige bevegelser når du forflytter deg (Fig. N).
6. Legg inn ekstra beltelengde i strikken på begge sider av midjen om nødvendig (Fig. O).
7. For å løse apparatet fra ryggen trykker du bare på midje- og brystspennen for å utløse dem så du kan ta ned apparatet (Fig. P).

Slik regulerer du kontrollhåndtaket

1. Løsne vingemutteren for å regulere håndtaket forover eller bakover etter behov (Fig. Q og R), og stram deretter vingemutteren for å låse håndtaket i posisjon.
2. Du kan også dreie på håndtaket hvis det er mer komfortabelt (Fig. S).
3. For å utvide blåseområdet flytter du røret til venstre eller høyre (Fig. T).

START/STOPP AV BLÅSEREN (Fig. U)

Kun lufthastighetsutløser

- Trykk på lufthastighetsutløseren for å slå på blåseren.
- Lufthastigheten på blåseren styres med variabel hastighetsutløser. Mer trykk på utløseren gir høyere blåsehastigheter; mindre trykk på utløseren gir lavere blåsehastigheter. Tilpass hastigheten til det arbeidet du har for hånden.
- Slipp lufthastighetsutløseren for å slå av blåseren.

Hastighet/ kun lås-på måleuret

Blåseren kan bli slått på og låst ved hvilken som helst hastighet med hastighet/lås-på måleuret.

- Slå på hastighet/lås-på måleuret med klokken for å starte blåseren. Lufthastigheten vil øke mens måleuret roterer med klokken.
- For å redusere lufthastigheten, slå på hastigheten/lås-på mot klokken. Fortsett med å dreie hastigheten/lås-på måleuret mot klokken til av-posisjonen for å slå av blåseren.
- Fortsett med å dreie hastigheten/lås-på måleuret mot klokken til avposisjonen.

Merknad: Hvis hastigheten/lås-på ikke blir satt tilbake til avposisjonen før blåseren slås på, vil blåseren ikke starte gjennom hastigheten/lås-på når et ladet batteri settes inn. Dette er en beskyttelsesfunksjon for å hindre tilfeldig oppstart. Når utløseren for lufthastighet trykkes inn, kan det inaktivere beskyttelsen.

Trykk på forsterkningsknappen mens den arbeider for midlertidig å øke lufthastigheten til maksimalt nivå. Blåseren vil gjenoppta den forrige hastigheten når forsterkningsknappen slippes.

Se Fig. U under for beskrivelse av delene:

U-1	Hastighet/ Lås-på måleuret	U-3	Lufthastighetsutløser
U-2	Økeknap		

RÅD OG TIPS OM BRUKEN AV BLÅSEREN

- For å unngå å spre rusk utover, blåser du rundt ytterkantene av ruskhauger. Unngå å blåse rett inn i midten av en haug.
- For å redusere lydnivået må antall utstyrsdeler som brukes, til enhver tid begrenses.
- Bruk raker og feiekoster for å løse rusk før du blåser. I støvete omgivelser skal overflater fuktes lett hvis det er vann tilgjengelig.
- Se opp for barn, dyr, åpne vinduer eller nyvaskede biler, og blås rusk unna i en trygg retning.
- Etter å ha brukt blåser eller annet utstyr, må du rydde opp! Avhend avfall på riktig måte.
- Det anbefales ikke å bruke blåseren med høy intensitet i lang tid, da stor vibrasjon og støy kan være skadelig for helsen.

VEDLIKEHOLD

⚠ ADVARSEL: Ved service skal det bare brukes originale reservedeler. Bruk av andre deler kan forårsake farer eller skader på produktet. For sikre både sikkerheten og påliteligheten, skal alle reparasjoner utføres av en kvalifisert servicetekniker.

⚠ ADVARSEL: For å unngå alvorlige personskader, skal batteripakken alltid tas ut fra produktet når du rengjør eller utfører vedlikehold.

GENERELT VEDLIKEHOLD

Unngå å bruke løsemidler når plastdeler skal rengjøres. De fleste plasttyper er utsatt for skader fra ulike typer kommersielle løsemidler, og kan ta skade av bruk av slike. Bruk rene kluter for å fjerne skitt, støv, olje, fett, etc.

⚠ ADVARSEL: Ikke på noe tidspunkt skal bremsevæske, bensin, petroleum-baserte produkter, penetrerende oljer, osv. komme i kontakt med plastdeler. Kjemikalier kan skade, svekke eller ødelegge plastmaterialer, noe som kan føre til alvorlig personskade.

OPPBEVARING

- Fjern batteripakken fra blåseren.
- Fjern alle fremmedlegemer fra luftinntakene til blåseren.
- Juster oppbevaringsknotten i forhold til sporet for røroppheng og hekt blåserøret på batteridekslet (Fig. V og W).
- Oppbevares på et innelukket sted som er utilgjengelig for barn. Holdes vekk fra etsende midler, for eksempel hagekjemikalier og avisingsalter.

Se Fig. V under for beskrivelse av deler:

V-1	Oppbevaringsknott blåserør
V-2	Spor for røroppheng

Beskytt miljøet



Elektrisk utstyr, batterilader og batterier/oppladbare batterier skal ikke kastes i husholdningsavfall.

Ifølge EU-forskrift 2012/19/EU, skal elektrisk og elektronisk utstyr som ikke lenger er brukbart, og som i henhold til EU-forskrift 2006/66/EC har defekte eller brukte batteripakker/batterier, samles inn separat og deponeres på en miljøvennlig måte.

Hvis elektrisk apparater kastes på søppelfyllinger, kan farlige stoffer lekke ut i grunnvannet og komme inn i næringskjeden, og forårsake skader på helse og velvære.

NO

FEILSØKING

PROBLEM	ÅRSAK	LØSNING
Blåseren virker ikke.	<ul style="list-style-type: none">■ Batteripakken er ikke festet til blåseren.■ Ingen elektrisk kontakt mellom blåseren og batteriet.■ Batteripakken er tom.■ Batteripakken eller blåseren er for varme.■ Hastighet/lås-på måleuret var ikke dreid tilbake til avposisjonen før blåseren ble slått på.	<ul style="list-style-type: none">■ Fest batteriet til blåseren.■ Fjern batteriet, sjekk kontakter og installer batteripakken.■ Lad opp batteripakken.■ Kjøøl ned batteripakken til temperaturen synker under 67 °C.■ Trykk på lufthastighetsutløseren for å deaktivere beskyttelsen og start eller roter blåseren hastigheten/lås-på måleuret til avposisjon først.
Blåseren virker ikke.	<ul style="list-style-type: none">■ Overdreven slitasje på motorviften.■ Luftinntaket er blokkert av rester.	<ul style="list-style-type: none">■ Kontakt EGO-servicesenteret for reparasjon.■ Ta ut batteripakken, og fjern rusket.
Blåseren slutter å fungere ved boosthastighet.	<ul style="list-style-type: none">■ Blåseren har trukket høy strøm fra batteriet og går inn i selvbeskyttelsesmodus.	<ul style="list-style-type: none">■ "Slå av bryteren, og start deretter blåseren på nytt etter at batteriets LED er slått av. Ta ut batteriet og sett det på igjen for å starte blåseren på nytt."

NO

GARANTI

EGOs GARANTIREGLER

Besøk nettsiden egopowerplus.com for å se fullstendige vilkår og betingelser for EGO-garantireglene.

ПРОЧИТАЙТЕ ВСЕ ИНСТРУКЦИИ!



ВНИМАТЕЛЬНО ПРОЧИТАЙТЕ РУКОВОДСТВО ПОЛЬЗОВАТЕЛЯ.

ПРИМЕЧАНИЕ. Данные инструкции должны быть также доступны в альтернативном формате, например на веб-сайте.

⚠ Остаточные риски! Если вы используете электронные устройства, такие как кардиостимулятор, перед эксплуатацией данного устройства проконсультируйтесь с врачом. Использование электрооборудования в непосредственной близости от кардиостимулятора может привести к образованию помех и повреждению кардиостимулятора.

⚠ ПРЕДУПРЕЖДЕНИЕ. Чтобы обеспечить безопасность и надежность устройства, его ремонт и замену частей должен выполнять квалифицированный специалист.

СИМВОЛЫ БЕЗОПАСНОСТИ

Символы безопасности предназначены для привлечения внимания к возможным рискам. Символы безопасности, а также объяснения к ним, требуют особого внимания и понимания. Предупреждения по технике безопасности сами по себе не устраняют опасность. Инструкции и предупреждения не заменяют соответствующие меры по предотвращению несчастных случаев.

⚠ ПРЕДУПРЕЖДЕНИЕ. Перед использованием устройства внимательно прочитайте все инструкции в данном руководстве пользователя и ознакомьтесь с предупреждающими символами безопасности, такими как «ОПАСНОСТЬ», «ПРЕДУПРЕЖДЕНИЕ» и «ВНИМАНИЕ». Несоблюдение всех приведенных ниже инструкций может привести к поражению электрическим током, возникновению пожара и/или получению серьезных травм.

ПРЕДОТВРАЩЕНИЕ ПОВРЕЖДЕНИЙ И ИНФОРМАЦИОННЫЕ СООБЩЕНИЯ

Данные сообщения предназначены для предоставления пользователю важной информации и/или инструкций, несоблюдение которых может привести к повреждению оборудования и имущества. Каждое сообщение начинается со слова «ПРИМЕЧАНИЕ», как в примере ниже.

ПРИМЕЧАНИЕ. Несоблюдение данных инструкций может привести к повреждению оборудования и/или имущества.



⚠ ПРЕДУПРЕЖДЕНИЕ. В результате работы электроинструмента в глаза могут попасть посторонние предметы, что приведет к серьезному повреждению глаз. Перед началом использования электроинструмента всегда надевайте защитную маску или защитные очки с боковыми щитками и полнопрофильную защитную маску (при необходимости). Поверх очков или стандартных защитных очков рекомендуется надевать защитную маску с широким обзором.

ИНСТРУКЦИИ ПО ТЕХНИКЕ БЕЗОПАСНОСТИ

Далее приведено изображение и описание символов безопасности, которые могут присутствовать на данном устройстве. Перед сборкой или использованием внимательно прочитайте все инструкции, приведенные на устройстве, и соблюдайте их.

RU

	Предупреждение об опасности	Меры предосторожности, касающиеся безопасности.
	Надевайте защитные очки.	При работе с данным устройством всегда используйте защиту для глаз или защитные очки с боковыми щитками и полнопрофильную защитную маску.
	Используйте средства защиты органов слуха.	При использовании устройства всегда надевайте средства защиты органов слуха.
	Внимательно прочитайте руководство пользователя.	Для снижения вероятности получения травм необходимо ознакомиться с руководством пользователя.
	Не позволяйте посторонним людям находиться вблизи.	Следите за тем, чтобы посторонние лица находились на расстоянии не менее 15 м.
V	Вольт	Напряжение
A	Амперы	Сила тока
Hz	Герц	Частота (оборотов в секунду)
W	Ватт	Мощность

min	Минуты	Время
m ³ /h	Кубический метр в час	Объем воздуха
km/h	Километров в час	Скорость воздушного потока
~	Переменный ток	Тип тока
— — —	Постоянный ток	Тип или характеристика тока
n ₀	Скорость работы без нагрузки	Скорость вращения без нагрузки
.../min	В минуту	Оборотов в минуту

При использовании электрического устройства необходимо строго соблюдать следующие меры безопасности.

ОБЩИЕ ПРЕДУПРЕЖДЕНИЯ ПО БЕЗОПАСНОСТИ ПРИ РАБОТЕ С ЭЛЕКТРОИНСТРУМЕНТАМИ

RU

⚠ ПРЕДУПРЕЖДЕНИЕ. ПРОЧИТАЙТЕ ВСЕ ПРАВИЛА БЕЗОПАСНОСТИ, ИНСТРУКЦИИ, ИЛЛЮСТРАЦИИ И СПЕЦИФИКАЦИИ, ПРИЛАГАЕМЫЕ К ЭТОМУ ЭЛЕКТРОИНСТРУМЕНТУ. Невыполнение изложенных ниже инструкций может привести к поражению электрическим током, пожару и (или) тяжелым травмам.

СОХРАНИТЕ ВСЕ ПРЕДУПРЕЖДЕНИЯ И ИНСТРУКЦИИ ДЛЯ ИСПОЛЬЗОВАНИЯ В БУДУЩЕМ.

Термин «электроинструмент» в предупреждениях означает электрический инструмент с питанием от сети (с кабелем) или электрический инструмент с питанием от батареи (без кабеля).

БЕЗОПАСНОСТЬ РАБОЧЕГО МЕСТА

- **Обеспечьте чистоту и освещенность рабочего места.** Загроможденные и плохо освещенные места служат причиной несчастных случаев.
- **Не используйте электроинструменты во взрывоопасных местах, например вблизи горючих жидкостей, бензина или пыли.** Электроинструменты генерируют искры, которые могут воспламенить пыль или испарения.
- **Не позволяйте детям и другим людям находиться вблизи работающего электроинструмента.** Отвлекающие факторы могут привести к потере контроля над инструментом.

ЭЛЕКТРОБЕЗОПАСНОСТЬ

- **Вилка электроинструмента должна соответствовать розетке. Никогда не переделывайте вилку. Не используйте никакие переходники для вилок с заземлением.** Использование оригинальных вилок и соответствующих им розеток уменьшает риск поражения электрическим током.
- **Избегайте прикосновений к заземленным объектам, таким как трубы, радиаторы, плиты и холодильники.** Существует повышенная опасность поражения электрическим током, если ваше тело заземлено.
- **Не подвергайте электроинструменты воздействию дождя или влаги.** При попадании воды в электроинструмент увеличивается риск поражения электрическим током.
- **Обращайтесь с кабелем аккуратно. Никогда не переносите, не тяните и не выключайте электроинструмент за кабель. Не оставляйте кабель вблизи источников тепла, масла, острых предметов или движущихся частей.** Поврежденные или запутанные кабели повышают опасность поражения электрическим током.
- **Для работы с электроинструментом вне помещения используйте предназначенный для этого удлинительный кабель.** Использование кабеля, подходящего для использования вне помещения, снижает риск поражения электрическим током.
- **Если использование электроинструмента в сыром помещении неизбежно, подключайте его через выключатель короткого замыкания на землю (ВКЗЗ).** Использование ВКЗЗ уменьшает риск поражения электрическим током.

ЛИЧНАЯ БЕЗОПАСНОСТЬ

- **Будьте бдительны, следите за тем, что делаете, и следуйте здравому смыслу при использовании электроинструмента. Не пользуйтесь электроинструментом, если вы устали или находитесь под воздействием наркотиков, алкоголя или медикаментов.** Даже кратковременная невнимательность при работе с электроинструментом может привести к тяжелым травмам.
- **Используйте средства индивидуальной защиты.** Всегда надевайте защитные средства для глаз. Использование защитных средств, таких как противопылевая маска, нескользящая предохранительная обувь, жесткая каска или средства защиты органов слуха в соответствующих условиях уменьшает риск травмирования.

- Не допускайте непредвиденных запусков. Перед подключением электроинструмента к сети питания и/или аккумулятора и перед его переноской убедитесь, что выключатель находится в выключенном положении. Переноска электроинструмента с пальцем на выключателе и включение вилки в розетку при включенном электроинструменте — причины несчастных случаев.
- Перед включением электроинструмента снимите с него регулировочные инструменты и гаечные ключи. Гаечный ключ, оставленный на подвижной детали электроинструмента, может вызвать травмы.
- Не тянитесь. Во время работы всегда сохраняйте устойчивое положение. Это позволит лучше контролировать электроинструмент в непредвиденных ситуациях.
- Одевайтесь надлежащим образом. Не надевайте свободную одежду и украшения. Держите волосы, одежду и перчатки подальше от движущихся частей. Свободная одежда, украшения и длинные волосы могут попасть в движущиеся части.
- При наличии пылеулавливающих устройств убедитесь в том, что они подключены и правильно работают. Использование пылеулавливающих устройств снижает вред, причиняемый пылью.
- Не допускайте небрежности, которая может возникнуть из-за частого использования инструмента и повлечь за собой самоуверенность и игнорирование правил безопасности. Неосторожное действие может причинить серьезную травму за доли секунды.
- Храните неиспользуемые электроинструменты в местах, недоступных для детей, и не доверяйте электроинструмент лицам, не знакомым с ним и с этими инструкциями. Электроинструменты опасны в руках неподготовленных пользователей.
- Выполняйте техническое обслуживание электроинструментов. Проверьте выравнивание и сцепление подвижных деталей, наличие поломок и прочие условия, которые могут повлиять на работу электроинструмента. В случае повреждения инструмента отремонтируйте его перед использованием. Многие несчастные случаи вызваны неправильным обслуживанием электроинструментов.
- Храните режущие инструменты в чистоте и заточенном состоянии. Правильно обслуживаемые и хорошо заточенные режущие инструменты меньше заклинивают и лучше контролируются.
- Используйте электроинструмент, аксессуары, насадки и т. п. в соответствии с этими инструкциями, учитывая условия и специфику выполняемой работы. Использование электроинструмента для выполнения непредусмотренных операций может привести к опасным ситуациям.
- Следите за тем, чтобы рукоятки и поверхности захвата были сухими и чистыми и на них не было масла или смазочного материала. Скользкие рукоятки и поверхности захвата не позволяют безопасно использовать инструмент и контролировать его в непредвиденных ситуациях.

ИСПОЛЬЗОВАНИЕ И ОБСЛУЖИВАНИЕ ЭЛЕКТРОИНСТРУМЕНТА

- Не прилагайте к электроинструменту чрезмерных усилий. Используйте подходящий для ваших задач электроинструмент. Правильный электроинструмент безопасен и лучше работает при номинальной мощности.
- Не используйте электроинструмент, если его выключатель неисправен. Электроинструменты с неисправным выключателем опасны и подлежат ремонту.
- Перед регулировкой, сменой аксессуаров или хранением отключите электроинструмент от сети питания и/или аккумуляторов. Такие меры предосторожности уменьшают риск случайного запуска электроинструмента.
- Заряжайте батареи только с помощью зарядного устройства, указанного изготовителем. Зарядное устройство, предназначенное для одного типа аккумуляторных батарей, может стать причиной пожара при использовании с другим типом батарей.
- Используйте электроинструмент только со специально предназначенными для него аккумуляторными батареями. Использование любого другого вида аккумуляторных батарей может стать причиной несчастных случаев или пожара.
- Когда аккумулятор не используется, храните его отдельно от металлических предметов — канцелярских скрепок, монет, ключей, гвоздей, винтов и др. — они могут замкнуть контакты. Короткое замыкание контактов аккумуляторной батареи может стать причиной ожогов или пожара.

- При неблагоприятных обстоятельствах из аккумуляторной батареи может потечь электролит. Избегайте контакта с ним. При случайном контакте с кожей промойте пораженный участок проточной водой. Если электролит попал в глаза, обратитесь к врачу. Электролит из аккумуляторной батареи может вызвать раздражение и ожоги.
- Не используйте аккумулятор и инструмент, если они повреждены или подвергались модификациям. Поведение поврежденных или модифицированных аккумуляторов может быть непредсказуемым, что приведет к возгоранию, взрыву и риску получения травм.
- Не подвергайте аккумуляторную батарею и инструмент воздействию огня и высокой температуры. Воздействие огня или температуры выше 130 °C может привести к взрыву.
- Следуйте всем инструкциям по зарядке и не заряжайте аккумулятор и инструмент при температуре, выходящей за пределы указанного диапазона. Если зарядка выполняется неправильно или в условиях неподходящей температуры, это может привести к повреждению аккумулятора и возгоранию.

РЕМОНТ

- Ремонт электроинструмента должен производиться квалифицированным специалистом с использованием только идентичных запасных частей. Это обеспечит безопасную работу электроинструмента.
- Никогда не выполняйте обслуживание поврежденного аккумулятора. Обслуживание аккумуляторов должно выполняться только производителем или в авторизованном сервисном центре.

ПЕРЕД ИСПОЛЬЗОВАНИЕМ УСТРОЙСТВА ПРОЧИТАЙТЕ ВСЕ ИНСТРУКЦИИ!

ОБУЧЕНИЕ

- Не позволяйте использовать данное устройство детям, лицам с пониженными физическими, сенсорными или умственными способностями или имеющими недостаточный опыт или знания либо людям, не знакомым с этими инструкциями.
- Оператор или владелец несут ответственность за несчастные случаи и ущерб, нанесенный другим людям или их имуществу.

ПОДГОТОВКА

- Данный электроинструмент можно использовать под дождем и во влажных условиях. После завершения работы высушите электроинструмент.
- Перед использованием проверьте батареи и аккумуляторы на наличие повреждений. Не используйте устройство, если батареи или аккумуляторы повреждены.

ЭКСПЛУАТАЦИЯ

- Данный электроинструмент можно использовать под дождем и во влажных условиях. После завершения работы высушите электроинструмент.
- Всегда извлекайте аккумуляторы из устройства в следующих случаях:
 1. когда отходите от устройства;
 2. перед очисткой засорения;
 3. перед проверкой, очисткой или ремонтом устройства;
 4. если устройство начало сильно вибрировать.
- На склонах всегда следите за тем, чтобы находиться в устойчивом положении.
- Передвигайтесь шагом, не бегайте.
- Следите за чистотой вентиляционных отверстий.
- Работайте с устройством только в допустимое время — не слишком рано утром и не слишком поздно вечером, чтобы не беспокоить других людей.
- Слегка смочите обрабатываемую территорию в условиях запыленности или используйте мелкокапельный опрыскиватель.

⚠ ПРЕДУПРЕЖДЕНИЕ. Осторожно, вращающиеся части!

- Используйте максимальную длину насадки воздуходувки, чтобы воздушный поток действовал ближе к земле.
- Не используйте устройство вблизи открытых окон и т. д.

ОБСЛУЖИВАНИЕ И ХРАНЕНИЕ

- Следите за тем, чтобы все гайки, болты и винты были плотно затянуты — это обеспечит безопасную работу устройства.
- Заменяйте изношенные или поврежденные детали.

- Используйте только оригинальные запчасти и аксессуары.
- Храните устройство в сухом месте.

⚠ ПРЕДУПРЕЖДЕНИЕ. Чтобы уменьшить риск пожара, поражения электрическим током или травмы, соблюдайте следующие требования.

ВАЖНО

ВНИМАТЕЛЬНО ПРОЧИТАЙТЕ ПЕРЕД ИСПОЛЬЗОВАНИЕМ.

СОХРАНИТЕ ЭТО РУКОВОДСТВО ДЛЯ ИСПОЛЬЗОВАНИЯ В БУДУЩЕМ.

- Воздуходувка не должна использоваться в качестве игрушки. Будьте очень внимательны, когда дети пользуются устройством или находятся рядом с ним.
- Если устройство не работает должным образом, если оно падало (в том числе в воду) или было повреждено, отнесите его в сервисный центр.
- Не помещайте посторонние предметы в отверстия устройства. Не используйте устройство, если какие-либо его отверстия заблокированы. Содержите отверстия в чистоте от пыли, пуха, волос и других загрязнений, которые могут уменьшить поток воздуха.
- Соблюдайте особую осторожность при уборке на лестницах.
- Не оставляйте воздуходувку без присмотра, если к ней подключен аккумулятор. Извлекайте аккумулятор перед обслуживанием воздуходувки, а также если она не используется.
- Не прикасайтесь мокрыми руками к зарядному устройству, в том числе вилке и контактам.
- Не заряжайте аккумуляторную батарею на открытом воздухе.

⚠ ПРЕДУПРЕЖДЕНИЕ.

- Прежде чем выбрасывать устройство, необходимо извлечь аккумулятор.
- Аккумулятор необходимо утилизировать безопасным способом.
- НЕ пытайтесь очищать устройство, если из него не извлечен аккумулятор.
- Следите за тем, чтобы воздуходувка и ее рукоятка были сухими и чистыми и на них не было масла или смазочного материала. Всегда используйте чистую ткань для очистки. Никогда не используйте для очистки воздуходувки тормозные жидкости, бензин, нефтепродукты и

любые сильные растворители. Соблюдение данного правила позволяет снизить риск потери контроля и повреждения пластика корпуса.

- Аккумуляторы выделяют газообразный водород и могут взрываться при наличии источника зажигания, например запальника. Чтобы уменьшить риск получения серьезной травмы, никогда не используйте беспроводные устройства вблизи открытого пламени. Взорвавшийся аккумулятор выделяет загрязнения и химикаты. При попадании на кожу немедленно промойте водой.
- Никогда не используйте устройство без установленного надлежащего оборудования. Всегда следите за тем, чтобы труба воздуходувки была установлена.
- Никогда не используйте воздуходувку вблизи огня или горячей золы. Использование устройства вблизи огня или золы может привести к распространению огня, серьезным травмам и/или повреждению имущества.
- Никогда не используйте воздуходувку для распыления химикатов, удобрений или других токсичных веществ. Распыление этих веществ может привести к серьезным травмам оператора или окружающих.
- Сохраните настоящую инструкцию. Регулярно просматривайте их и предоставляйте для ознакомления другим пользователям. Одалживая кому-либо устройство, передайте также данные инструкции для предотвращения неправильного использования и возможных травм.

RU

СОХРАНИТЕ ДАННОЕ РУКОВОДСТВО!

ТЕХНИЧЕСКИЕ ХАРАКТЕРИСТИКИ

Напряжение	56 V
Максимальной объем воздуха	1020 м³/ч
Максимальной скорости	232 км/ч
Макс. сила воздуходувки	19 Н
Рекомендуемая рабочая температура	От -15 до 40 °C
Рекомендуемая температура хранения	От -20 до 70 °C
Приблизительное время работы (с аккумулятором EGO 56 В, 5,0 Ач)	15 мин (Турборежим)
	22 мин (Высокая скорость)
	120 мин (Низкая скорость)

Масса воздуходувки (без аккумулятора, с трубой)	5,7 кг
Измеренный уровень звуковой мощности L_{WA}	94,6 дБ (А) K=0,8 дБ (А)
Уровень звукового давления на уши оператора L_{PA}	82 дБ (А) K=2,5 дБ (А)
Гарантированный уровень звуковой мощности L_{WA} (измерен в соответствии с 2000/14/ЕС)	95 дБ (А)
Вибрация a_n	0,522 m/s ² K=1,5 m/s ²

- Указанный общий показатель уровня вибрации был определен с помощью стандартного теста и может быть использован для сравнения разных инструментов.
- Указанный общий уровень вибрации может использоваться также для предварительной оценки уровня воздействия.

RU

ПРИМЕЧАНИЕ. Реальное вибрационное воздействие электроинструмента может отличаться от указанного в зависимости от способа использования. В целях безопасности оператор должен надевать перчатки и средства защиты органов слуха во время использования устройства.

УПАКОВОЧНЫЙ ЛИСТ

НАЗВАНИЕ ДЕТАЛИ	КОЛИЧЕСТВО
Воздуходувка	1
Труба воздуходувки	3
Руководство по эксплуатации	1

ОПИСАНИЕ

ЧАСТИ ВОЗДУХОДУВКИ (Рис. А & В)

1. рукоятка
2. Кнопка фиксации аккумулятора
3. Фиксатор
4. Электрические контакты
5. Выталкивающий механизм
6. Воздухозаборное отверстие
7. Передняя трубка (Изогнутая плоская трубка)
8. Отверстие для выхода воздуха
9. Передняя трубка (Цилиндрическая трубка)

10. Средняя трубка
11. Рукоятка управления
12. Регулируемая ременная обвязка
13. Фиксатор для крепления трубки воздуходувки
14. Кнопка турборежима
15. Регулятор скорости/блокировки
16. Курок скорости подачи воздуха
17. Барашковая гайка
18. Паз для подвешивания трубки

⚠ ПРЕДУПРЕЖДЕНИЕ. Для безопасного использования устройства необходимо изучить и понять информацию, указанную на самом устройстве и в настоящем руководстве пользователя, а также иметь ясное представление о планируемой работе. Перед использованием устройства ознакомьтесь со всеми функциями и правилами безопасности.

СБОРКА

⚠ ПРЕДУПРЕЖДЕНИЕ. Если какие-либо части повреждены или отсутствуют, не используйте устройство, пока они не будут установлены. Использование устройства в случае повреждения или отсутствия частей может привести к получению серьезной травмы.

⚠ ПРЕДУПРЕЖДЕНИЕ. Не пытайтесь изменить конструкцию воздуходувки или использовать нерекондованные для нее дополнительные приспособления. Подобное изменение считается ненадлежащим использованием и способствует возникновению опасной ситуации, которая приведет к получению серьезной травмы.

⚠ ПРЕДУПРЕЖДЕНИЕ. Чтобы предотвратить случайное включение устройства и получение серьезной травмы, во время сборки извлекайте аккумулятор.

УСТАНОВКА ТРУБ ВОЗДУХОДУВКИ

1. Для воздуходувки используется три трубки: две передние (цилиндрическая и изогнутая плоская) и средняя (рис. С).
2. Сначала присоедините цилиндрическую трубку к средней. Выровняйте любую из прорезей в цилиндрической трубке с выступом на средней трубке (рис. D).
3. Вставьте среднюю трубку так, чтобы фиксатор зафиксировался в пазах. Затем поворачивайте среднюю трубку в направлении, указанном стрелкой, пока фиксатор не встанет в положение блокировки (Рис. E).

Описание частей на Рис. С и D

C-1	Цилиндрическая трубка	D-1	Фиксатор
C-2	Изогнутая плоская трубка	D-2	Пазы для разных положений блокировки
C-3	Средняя трубка		

⚠ ПРИМЕЧАНИЕ. Прежде чем средняя трубка заблокируется на месте во время вращения, она упрется во встроенный ограничитель, который создает небольшое сопротивление. Продолжайте вращать трубку после упора в ограничитель, пока она полностью не заблокируется.

- Длину трубки можно уменьшить или увеличить в соответствии с собственными предпочтениями, блокируя среднюю трубку в различных положениях (Рис. F).

Описание частей на Рис. F

F-1	Заблокирована в первом положении
F-2	Заблокирована во втором положении

- Прикрепите собранную трубку к корпусу воздухоудвки тем же способом (Рис. G).

Выполните те же действия, чтобы прикрепить к воздухоудвке изогнутую плоскую трубку.

- Чтобы отсоединить трубку в сборе от корпуса воздухоудвки или открепить трубки друг от друга, сначала поверните трубку в направлении разблокировки, чтобы открыть фиксатор, а затем просто вытащите трубку наружу.

ИСПОЛЬЗОВАНИЕ

⚠ ПРЕДУПРЕЖДЕНИЕ. Не допускайте небрежности и беспечности при работе с устройством. Помните, что потери бдительности на долю секунды достаточно для получения серьезной травмы.

⚠ ПРЕДУПРЕЖДЕНИЕ. Не используйте насадки или дополнительные приспособления, не рекомендованные производителем устройства. Использование нерекондованных дополнительных приспособлений может привести к серьезным травмам.

⚠ ПРЕДУПРЕЖДЕНИЕ. Перед сборкой, регулировкой, очисткой, а также когда устройство не используется, всегда извлекайте из него аккумулятор. Извлечение аккумулятора поможет предотвратить непредвиденный запуск устройства, который может привести к серьезным травмам.

Перед каждым использованием полностью проверяйте устройство на наличие поврежденных, отсутствующих или плохо закрепленных частей, таких как винты, гайки, болты, заглушки и т. д. Надежно закрепите все фиксаторы и заглушки и не пользуйтесь устройством до тех пор, пока не будут заменены поврежденные или отсутствующие части.

ПРИМЕЧАНИЕ. При возникновении чрезвычайной ситуации расстегните нагрудную пряжку, чтобы снять воздухоудвку.

ПРИМЕНЕНИЕ

Данное устройство можно использовать в следующих целях.

- Для очистки твердых поверхностей, таких как подъездные пути и дорожки.
- Для очистки поверхностей и подъездных путей от листьев и хвои.

⚠ ПРИМЕЧАНИЕ. Устройство должно использоваться только по назначению. Любое другое использование, кроме упомянутого, считается ненадлежащим.

УСТАНОВКА И ДЕМОНТАЖ АККУМУЛЯТОРА (Рис. D)

Зарядите перед первым использованием.

Используйте только аккумуляторы и зарядные устройства, указанные на рис. А.

⚠ ПРИМЕЧАНИЕ. Для получения наилучших результатов рекомендуется использовать батарею EGO 56 В BA2800 (5 Ач) или любую батарею EGO 56 В большей емкости.

■ Установка(Рис. H)

Совместите ребра аккумулятора с крепежными отверстиями и вставьте аккумулятор до щелчка.

■ Демонтаж(Рис. I)

Нажмите кнопку фиксации аккумулятора и извлеките аккумулятор.

⚠ ПРЕДУПРЕЖДЕНИЕ. Всегда следите за положением своих ног, а за также за местонахождением детей и животных, когда нажимаете на кнопку фиксации аккумулятора. Падение аккумулятора может привести к серьезным травмам. НИКОГДА не извлекайте аккумулятор, если находитесь на возвышенности.

RU

РАЗМЕЩЕНИЕ РАНЦЕВОЙ ВОЗДУХОДУВКИ

⚠ ПРЕДУПРЕЖДЕНИЕ. Одевайтесь надлежащим образом, чтобы снизить риск получения травм при использовании данного устройства. Не надевайте свободную одежду и украшения. Используйте защиту органов зрения и слуха. Надевайте плотные длинные брюки, прочную обувь и перчатки. Не надевайте шорты, сандалии и не работайте босиком.

Регулировка ременной обвязки

1. Проденьте руки в лямки ранца, чтобы повесить воздуходувку на спину.
2. Отрегулируйте обе лямки таким образом, чтобы их положение было удобным (Рис. J). Убедитесь, что локти двигаются свободно.
3. Защелкните пряжку на груди и отрегулируйте ее длину, если требуется (Рис. K).
4. Защелкните пряжку на талии и отрегулируйте ее длину таким образом, чтобы ранец удобно опирался на бедро (Рис. L и M).

ПРИМЕЧАНИЕ. Ранец не должен слишком высоко сидеть на спине, он должен располагаться ближе к бедрам, чем к плечам.

5. Отрегулируйте лямки так, чтобы ранец сидел надежно и удобно. Убедитесь, что ранец надежно закреплен на спине, а основной вес перенесен на талию. Кроме того, ранец не должен сильно перемещаться во время движения (Рис. N).
6. Слишком длинные концы ремней вставьте в эластичные крепления с обеих сторон талии (Рис. O).
7. Чтобы снять устройство со спины, просто откройте пряжки на груди и талии и снимите ранец (Рис. P).

Регулировка рукоятки управления

1. Ослабьте барашковую гайку, чтобы сдвинуть рукоятку вперед или назад (Рис. Q и R), а затем затяните барашковую гайку, чтобы зафиксировать рукоятку.
2. Рукоятку также можно вращать при необходимости (Рис. S).
3. Чтобы расширить очищаемую область, перемещайте трубку влево и вправо (Рис. T).

ВКЛЮЧЕНИЕ И ВЫКЛЮЧЕНИЕ ВОЗДУХОДУВКИ (Рис. U)

Только курок скорости подачи воздуха

- Нажмите курок, чтобы включить воздуходувку.

- Скорость воздушного потока воздуходувки контролируется с помощью курка скорости подачи воздуха. Чем сильнее нажат курок, тем выше скорость выдувания; чем слабее нажат курок, тем ниже скорость выдувания. Отрегулируйте скорость в соответствии с выполняемой задачей.
- Отпустите курок, чтобы выключить воздуходувку.

Только регулятор скорости/блокировки

Воздуходувка может быть включена и заблокирована на одной из скоростей с помощью регулятора скорости/блокировки.

- Поверните регулятор по часовой стрелке, чтобы запустить воздуходувку. Скорость потока воздуха увеличивается по мере вращения регулятора по часовой стрелке.
- Чтобы уменьшить скорость потока воздуха, вращайте регулятор скорости/блокировки против часовой стрелки. Поверните регулятор скорости/блокировки против часовой стрелки в положение выключения, чтобы остановить воздуходувку.
- Поверните регулятор скорости/блокировки против часовой стрелки в положение выключения, чтобы остановить воздуходувку.

Примечание. Если регулятор скорости/блокировки не был возвращен в положение выключения перед выключением воздуходувки, воздуходувка не запустится с помощью регулятора скорости/блокировки при установке заряженного аккумулятора. Эта защитная функция позволяет предотвращать случайные запуски. Нажмите на курок скорости подачи воздуха, чтобы отключить защиту.

Нажмите кнопку турборежима, чтобы временно увеличить скорость подачи воздуха до максимального уровня. Когда кнопка будет отпущена, воздуходувка продолжит работать с прежней скоростью.

Описание частей на Рис. U

U-1	Регулятор скорости/блокировки	U-3	Курок скорости подачи воздуха
U-2	Цилиндрическая плоская трубка		

СОВЕТЫ ПО ИСПОЛЬЗОВАНИЮ ВОЗДУХОДУВКИ

- Чтобы мусор не разлетался, направляйте поток воздуха от наружных краев кучи мусора. Никогда не направляйте поток воздуха непосредственно в центр кучи.

RU

- Чтобы снизить уровень шума, ограничьте число единиц оборудования, используемых одновременно.
- Используйте грабли и метлу, чтобы убрать мусор перед использованием воздуходувки. В пыльных условиях по возможности слегка увлажните поверхность.
- Следите за тем, чтобы сдуваемый мусор не попадал на детей, домашних животных, в открытые окна и на свежевываемые автомобили.
- После использования воздуходувок и другого оборудования наведите порядок! Утилизируйте мусор надлежащим образом.
- Не рекомендуется использовать воздуходувку на большой скорости в течение длительного времени, так как сильная вибрация и шум могут нанести вред вашему здоровью.

ОБСЛУЖИВАНИЕ

⚠ ПРЕДУПРЕЖДЕНИЕ. При ремонте используйте только идентичные запасные части. Использование других запасных частей может привести к травмам или повреждению устройства. Чтобы обеспечить безопасность и надежность устройства, его ремонт должен выполнять квалифицированный специалист.

⚠ ПРЕДУПРЕЖДЕНИЕ. Во избежание травм всегда извлекайте аккумулятор из устройства перед чисткой или обслуживанием.

ОБЩЕЕ ОБСЛУЖИВАНИЕ

Не используйте растворители для чистки пластмассовых деталей. Большинство пластиковых частей чувствительны к различным бытовым растворителям и могут быть повреждены. Для очистки от грязи, пыли, масла, смазки и т. п. используйте чистую ткань.

⚠ ПРЕДУПРЕЖДЕНИЕ. Не допускайте попадания на пластиковые части тормозной жидкости, бензина, продуктов на нефтяной основе, пропитывающих масел и т. д. Химические вещества могут повредить, ослабить или разрушить пластик, что приведет к получению серьезных травм.

ХРАНЕНИЕ

- Извлеките аккумулятор из воздуходувки.
- Уберите все посторонние материалы из воздухозаборного отверстия воздуходувки.
- Совместите фиксатор для крепления трубки воздуходувки с пазом для подвешивания трубки и повесьте трубку воздуходувки на корпус батарейного отсека (Рис. V и W).
- Храните в закрытом, недоступном для детей месте. Храните вдали от источников коррозии, таких как садовые удобрения и техническая соль.

Описание частей на Рис. V

V-1	Фиксатор для крепления трубки воздуходувки
V-2	Паз для подвешивания трубки

Защита окружающей среды



Не выбрасывайте электрооборудование, зарядные устройства, батарейки и аккумуляторы вместе с бытовыми отходами!

В соответствии с европейским законом 2012/19/EU электрическое и электронное оборудование, которое не подлежит дальнейшей эксплуатации, а также непригодные и использованные батарейки и аккумуляторы (согласно европейскому закону 2006/66/EC) должны быть собраны отдельно и утилизированы экологически безопасным способом.

При утилизации электрических устройств на свалках в подземные воды могут просочиться опасные вещества, которые затем попадут в пищевую цепь и приведут к общему ухудшению здоровья и благополучия.

RU

УСТРАНЕНИЕ НЕИСПРАВНОСТЕЙ

ПРОБЛЕМА	ПРИЧИНА	РЕШЕНИЕ
Воздуходувка не работает.	<ul style="list-style-type: none"> ■ Аккумулятор не установлен в воздуходувку. ■ Нет электрического контакта между воздуходувкой и аккумулятором. ■ Аккумулятор разряжен. ■ Аккумулятор или воздуходувка перегрелись. ■ Регулятор скорости/блокировки не был возвращен в выключенное положение перед включением воздуходувки. 	<ul style="list-style-type: none"> ■ Установите аккумулятор в воздуходувку. ■ Извлеките аккумулятор, проверьте контакты и установите его снова. ■ Зарядите аккумулятор. ■ Дайте аккумулятору и воздуходувке остыть, пока температура не упадет ниже 67 °С. ■ Нажмите курок скорости подачи воздуха, чтобы снять защиту и запустить воздуходувку или сначала поверните регулятор скорости/блокировки в выключенное положение.
Скорость воздушного потока значительно снизилась.	<ul style="list-style-type: none"> ■ Чрезмерный износ вентилятора двигателя. ■ Воздухозаборное отверстие засорилось. 	<ul style="list-style-type: none"> ■ Обратитесь в сервисный центр EGO для ремонта. ■ Извлеките аккумулятор, удалите засор.
Воздуходувка перестала работать на повышенной скорости.	<ul style="list-style-type: none"> ■ Воздуходувка получает слишком большой ток от аккумулятора и автоматически переходит в режим защиты. 	<ul style="list-style-type: none"> ■ “Выключите воздуходувку с помощью переключателя, а затем снова включите, когда перестанет светиться индикатор аккумулятора. Чтобы перезапустить воздуходувку, извлеките аккумулятор и снова установите на место.”

RU

ГАРАНТИЯ

ГАРАНТИЙНАЯ ПОЛИТИКА EGO

Посетите веб-сайт egopowerplus.com, чтобы ознакомиться со всеми условиями и сроками гарантийной политики EGO.

PRZECZYTAJ WSZYSTKIE INSTRUKCJE!



PRZECZYTAJ INSTRUKCJĘ OPERATORA

UWAGA: Niniejsza instrukcja powinna być także dostępna w innym formacie, np. na stronie internetowej.

⚠ Ryziko szczątkowe! Osoby z urządzeniami elektronicznymi, takimi jak rozruszniki serca, powinny przed użyciem produktu skonsultować się ze swoim(i) lekarzem/-ami. Używanie urządzeń elektrycznych blisko rozrusznika serca może spowodować zakłócenia lub uszkodzić rozrusznik.

⚠ OSTRZEŻENIE: Aby zagwarantować bezpieczeństwo i niezawodność, wszystkie naprawy i wymiany części powinny być wykonywane przez wykwalifikowanych techników serwisu.

PL

SYMBOLE BEZPIECZEŃSTWA

Celem symboli bezpieczeństwa jest zwrócenie uwagi użytkownika na możliwe zagrożenia. Symbole bezpieczeństwa i objaśnienia do nich zasługują na to, by je uważnie przestudiować i zrozumieć. Symbole bezpieczeństwa nie eliminują same z siebie jakichkolwiek zagrożeń. Podawane w nich instrukcje i ostrzeżenia nie zastępują odpowiednich środków zapobiegania wypadkom.

⚠ OSTRZEŻENIE: Przed użyciem narzędzia prosimy przeczytać i zrozumieć wszystkie instrukcje dotyczące bezpieczeństwa podane w podręczniku użytkownika, łącznie z wszystkimi symbolami ostrzegawczymi takimi jak „NIEBEZPIECZEŃSTWO”, „OSTRZEŻENIE” i „UWAGA”. Niestosowanie się do wszystkich podanych niżej instrukcji może doprowadzić do porażenia prądem, pożaru i/lub poważnych obrażeń.

ZAPOBIEGANIE USZKODZENIOM I KOMUNIKATY INFORMACYJNE

Przekazują one użytkownikowi ważne informacje i/lub instrukcje, których zignorowanie może prowadzić do uszkodzenia urządzenia lub innego mienia. Każdy komunikat jest poprzedzony słowem „UWAGA”, tak jak w przykładzie poniżej:

UWAGA: Nieprzestrzeganie instrukcji grozi uszkodzeniem urządzenia i/lub mienia.



⚠ OSTRZEŻENIE: Praca elektronarzędziami może spowodować wyrzucenie ciał obcych w oczy użytkownika, co może doprowadzić do poważnych urazów oczu. Przed rozpoczęciem pracy elektronarzędziem należy zawsze założyć gogle ochronne lub okulary z osłonami bocznymi, a w stosownych przypadkach także pełną osłonę na twarz. Zalecamy nakładanie na zwykłe okulary maski zabezpieczającej o szerokim polu widzenia lub stosowanie standardowych okularów zabezpieczających z osłonami bocznymi.

INSTRUKCJE DOTYCZĄCE BEZPIECZEŃSTWA

Na tej stronie pokazano i opisano symbole bezpieczeństwa, które mogą występować na produkcie. Przed podjęciem próby złożenia i użycia urządzenia należy przeczytać i zrozumieć wszystkie instrukcje dotyczące maszyny oraz zastosować się do nich.

	Ostrzeżenie dotyczące bezpieczeństwa	Ostrzeżenia istotne dla bezpieczeństwa użytkownika.
	Noś okulary ochronne	Podczas używania produktu należy zawsze nosić gogle ochronne lub okulary ochronne z osłonami bocznymi, a także pełną osłonę na twarz.
	Noś ochronniki słuchu	Podczas pracy urządzeniem należy zawsze nosić ochronniki słuchu.
	Przeczytaj instrukcję operatora	Aby zmniejszyć ryzyko obrażeń, użytkownik zobowiązany jest do zapoznania się z instrukcją użytkownika.
	Osoby postronne trzymaj z daleka	Osoby postronne muszą stać w odległości co najmniej 15 m.
V	Wolt	Napięcie
A	Ampery	Prąd
Hz	Herc	Częstotliwość (cykli na sekundę)
W	Wat	Moc
min	Minuty	Czas

m ³ /h	Metr sześcienny na godzinę	Objętość powietrza
km/h	Kilometry na godzinę	Prędkość powietrza
	Prąd zmienny	Rodzaj prądu
	Prąd stały	Rodzaj lub charakterystyka prądu
n ₀	Prędkość bez obciążenia	Prędkość obrotowa bez obciążenia
... /min	Na minutę	Obroty na minutę

Podczas używania urządzeń elektrycznych należy zawsze przestrzegać podstawowych zasad bezpieczeństwa, w tym następujących zaleceń:

OGÓLNE OSTRZEŻENIA DOTYCZĄCE ELEKTRONARZĘDZI

⚠ OSTRZEŻENIE: PROSIMY PRZECZYTAĆ WSZYSTKIE OSTRZEŻENIA I INSTRUKCJE ORAZ PRZESTUDIOWAĆ SPECYFIKACJĘ I ILUSTRACJE DOSTARCZONE WRAZ Z ELEKTRONARZĘDZIEM. Niestosowanie się do wszystkich podanych niżej instrukcji może doprowadzić do porażenia prądem, pożaru i/lub poważnych obrażeń.

WSZYSTKIE OSTRZEŻENIA I INSTRUKCJE NALEŻY ZACHOWAĆ NA PRZYSZŁOŚĆ.

Termin „elektronarzędzie” występujący w ostrzeżeniach dotyczy narzędzia elektrycznego o zasilaniu sieciowym (przewodowego) lub akumulatorowym (beprzewodowego).

BEZPIECZEŃSTWO W MIEJSCU PRACY

- Należy dbać o czystość i dobre oświetlenie w miejscu pracy. Bałagan i złe oświetlenie sprzyjają wypadkom.
- Nie należy używać elektronarzędzi w miejscach zagrożonych wybuchem, np. w obecności łatwopalnych cieczy, benzyny lub pyłu. Elektronarzędzia wytwarzają iskry, które mogą zapalić opary lub pył.
- W czasie pracy elektronarzędzie należy trzymać z dala od dzieci i osób postronnych. Chwila nieuwagi może spowodować utratę kontroli nad urządzeniem.

BEZPIECZEŃSTWO ELEKTRYCZNE

- Wtyczki elektronarzędzi muszą pasować do gniazdek. Nigdy w jakikolwiek sposób nie wolno przerabiać wtyczki. Do elektronarzędzi wymagających uziemienia nie należy używać

przejsiówek. Oryginalne wtyczki i pasujące do nich gniazdko zmniejszają ryzyko porażenia prądem.

- Należy unikać dotykania ciałem powierzchni uziemionych, takich jak np. rury, kaloryfery, kuchenki i lodówki. Uziemienie ciała zwiększa ryzyko porażenia prądem.
- Elektronarzędzia należy chronić przed deszczem i wilgocią. Woda dostająca się do wnętrza elektronarzędzia zwiększa ryzyko porażenia prądem.
- Nie należy nadwyręzać przewodu. Nigdy nie używać przewodu do noszenia lub ciągnięcia elektronarzędzia; nie chwytąć za przewód, aby wyjąć wtyczkę z kontaktu. Przewód trzymać z dala od ostrych krawędzi, poruszających się części i źródeł ciepła. Chronić przed poplamieniem ropą lub olejem. Zapłacone lub uszkodzone przewody zwiększają ryzyko porażenia prądem.
- Podczas używania elektronarzędzia na dworze należy stosować przedłużacz nadający się do używania na dworze. Używanie przewodu przeznaczonego do stosowania na dworze zmniejsza ryzyko porażenia prądem.
- Jeżeli użycie elektronarzędzia w miejscu o dużej wilgotności jest nieuniknione, należy stosować zasilanie zabezpieczone wyłącznikiem różnicowoprądowym. Używanie wyłącznika różnicowoprądowego zmniejsza ryzyko porażenia prądem.

BEZPIECZEŃSTWO OSOBISTE

- Podczas pracy narzędziem należy zachować czujność, patrzeć, co się robi i kierować się zdrowym rozsądkiem. Nie należy używać elektronarzędzia, gdy użytkownik jest zmęczony, albo pod wpływem narkotyków, alkoholu lub leków. Chwila nieuwagi w czasie posługiwania się narzędziami elektrycznymi może spowodować poważne obrażenia.
- Należy używać środków ochrony indywidualnej i zawsze nosić okulary ochronne. Stosowanie w odpowiednich warunkach sprzętu ochronnego takiego jak np. maska przeciwpyłowa, obuwie ochronne z podeszwami antypoślizgowymi, kask lub ochronniki słuchu zmniejszy ewentualne obrażenia.
- Nie wolno dopuszczać do przypadkowego włączenia. Należy pilnować, aby przed podłączeniem narzędzia do zasilania i/lub baterii akumulatorowej oraz przed podniesieniem i przeniesieniem przełącznik był ustawiony w pozycji „wyłączone”. Trzymanie palca na przełączniku w czasie przenoszenia narzędzi elektrycznych lub podłączanie ich do zasilania, gdy przełącznik jest ustawiony w pozycji „włączone” może doprowadzić do wypadku.

- **Przed włączeniem elektronarzędzia należy usunąć wszystkie klucze regulacyjne i inne narzędzia.** Klucz zaczepiony o obracającą się część narzędzia może spowodować obrażenia.
- **Nie należy sięgać za daleko. Należy zawsze dbać o utrzymanie równowagi i pewne podparcie nóg.** W nieprzewidzianych sytuacjach zapewnia to lepszą kontrolę nad narzędziem.
- **Należy nosić odpowiednią odzież. Nie powinno się nosić luźnych ubrań ani biżuterii. Włosy, odzież i rękawice należy trzymać w bezpiecznej odległości od poruszających się części.** Luźne ubrania, biżuteria lub długie włosy mogą zaczepić się o poruszające się części.
- **Jeżeli urządzenie jest wyposażone w przystawkę do odsysania i zbierania pyłu, należy pilnować, aby była ona podłączona i właściwie stosowana.** Używanie urządzeń służących do pochłaniania pyłu może zmniejszyć zagrożenia związane z pyłem.
- **Nie wolno dopuścić do tego, aby poczucie znajomości narzędzia wynikające z jego częstego używania doprowadziło do lekceważenia i ignorowania zasad bezpieczeństwa.** Jedno lekkomyślne działanie może w ułamku sekundy doprowadzić do poważnych urazów.
- **Elektronarzędzia należy utrzymywać w dobrym stanie. Należy kontrolować, czy części ruchome nie są odchylone od osi, nie zacinają się i nie są pęknięte lub uszkodzone w inny sposób, który mógłby wpłynąć na działanie narzędzia. W razie uszkodzenia, przed użyciem należy oddać narzędzie do naprawy.** Wiele wypadków wynika ze złej konserwacji narzędzi.
- **Należy dbać o czystość i naostrzenie narzędzi tnących.** Odpowiednio utrzymywane narzędzia z ostrymi krawędziami tnącymi są mniej narażone na zakleszczanie się i łatwiej jest je kontrolować.
- **Elektronarzędzi, akcesoriów, wiertła, bitów, itp. należy używać zgodnie z niniejszą instrukcją, z uwzględnieniem warunków i rodzaju wykonywanej pracy.** Korzystanie z narzędzi niezgodnie z przeznaczeniem może prowadzić do niebezpiecznych sytuacji.
- **Należy dbać o to, aby uchwyty i powierzchnie do trzymania były suche, czyste i niezaplamione olejem lub smarem.** Śliskie uchwyty nie pozwalają w bezpieczny sposób kontrolować narzędzia w nieprzewidzianych sytuacjach.

PL

UŻYWANIE I KONSERWOWANIE ELEKTRONARZĘDZI

- **Elektronarzędzia nie należy forsować. Należy używać narzędzia dostosowanego do wykonywanej pracy.** Odpowiednie narzędzie elektryczne wykona pracę lepiej i bezpieczniej, gdy pozwoli mu się pracować z prędkością/obrotami do jakich zostało zaprojektowane.
- **Nie należy używać elektronarzędzia, jeżeli przełącznik zasilania nie włącza go lub nie wyłącza.** Narzędzie, którego nie da się kontrolować przełącznikiem, jest potencjalnie niebezpieczne i wymaga naprawy.
- **Przed jakąkolwiek regulacją, wymianą akcesoriów lub schowaniem elektronarzędzia należy wyjąć wtyczkę z gniazdka i/lub odłączyć od narzędzia akumulator.** Tego typu zapobiegawcze środki ostrożności zmniejszają ryzyko przypadkowego włączenia się narzędzia.
- **Nieużywane elektronarzędzia należy przechowywać w miejscu niedostępnym dla dzieci. Osobom, które nie zapoznały się z instrukcją i narzędziem nie należy pozwalać obsługiwać go.** W rękach niedoświadczonych użytkowników narzędzia elektryczne mogą stanowić zagrożenie.
- **Do ładowania należy używać wyłącznie ładowarki wskazanej przez producenta.** Użycie ładowarki pochodzącej od jednego akumulatora do ładowania innego akumulatora grozi pożarem.
- **Elektronarzędzi należy używać wyłącznie z przeznaczonymi do nich akumulatorami.** Użycie jakichkolwiek innych akumulatorów grozi obrażeniami i pożarem.
- **Jeżeli akumulator nie jest używany, należy go przechowywać z dala od innych przedmiotów metalowych, np. spinaczy, monet, kluczy, gwoździ, śrub i innych drobnych przedmiotów metalowych, które mogłyby spowodować zwarcie wyprowadzeń akumulatora.** Zwarcie wyprowadzeń akumulatora może doprowadzić do oparzenia lub pożaru.
- **W niesprzyjających warunkach może dojść do wycieku cieczy z akumulatora. Należy wtedy unikać wszelkiego kontaktu z tą cieczą. W razie przypadkowego kontaktu ze skórą, zabrudzone miejsce należy obficie przemyć wodą. Jeżeli płyn dostanie się do oczu, należy dodatkowo zasięgnąć porady lekarza.** Płyn wyciekający z akumulatora może powodować podrażnienie lub oparzenia.
- **Nie należy używać akumulatora lub narzędzia, które są uszkodzone lub zostały poddane przeróbkom.**

Uszkodzone lub zmodyfikowane akumulatory mogą zachowywać się w sposób nieprzewidywalny, co może doprowadzić do pożaru lub wybuchu lub stwarzać ryzyko urazów.

- **Nie należy narażać akumulatora lub narzędzia na kontakt z ogniem lub zbyt wysokimi temperaturami.** Ogień lub temperatury przekraczające 130°C mogą doprowadzić do wybuchu.
- **Należy przestrzegać wszystkich instrukcji ładowania. Nie należy ładować akumulatora lub narzędzia poza przedziałem temperatur podanym w instrukcji.** Ładowanie w sposób nieprawidłowy lub w temperaturze wykraczającej poza określony zakres może doprowadzić do uszkodzenia akumulatora i zwiększa ryzyko pożaru.

SERWISOWANIE

- **Serwisowanie elektronarzędzia należy powierzać wykwalifikowanemu serwisantowi, a do naprawy używać wyłącznie części zamiennych identycznych z oryginalnymi.** Zapewni to bezpieczeństwo eksploatacji elektronarzędzia.
- **Uszkodzonych akumulatorów nie należy nigdy naprawiać.** Jakiegokolwiek czynności serwisowe przy akumulatorach powinny być wykonywane wyłącznie przez producenta lub pracowników autoryzowanego serwisu.

PRZED UŻYCIEM URZĄDZENIA NALEŻY PRZECZYTAĆ WSZYSTKIE INSTRUKCJE!

SZKOLENIE

- **W następujących przypadkach nigdy nie należy pozwalać używać tego urządzenia: dzieci, osoby o ograniczeniach fizycznych, czuciowych lub psychicznych, osoby bez odpowiedniego doświadczenia lub wiedzy oraz osoby, które nie zapoznały się z niniejszą instrukcją.**
- **Za wypadki lub szkody wyrządzone osobom trzecim i ich własności odpowiada operator lub użytkownik.**

PRZYGOTOWANIE

- **Elektronarzędzie może być używane w czasie deszczu lub w warunkach wysokiego poziomu wilgoci. Po zakończeniu pracy elektronarzędzie należy wysuszyć.**
- **Przed użyciem należy sprawdzić przewód zasilający i przedłużacz pod kątem uszkodzenia. Nie należy używać urządzenia, jeżeli baterie lub akumulator są uszkodzone.**

UŻYTKOWANIE

- **Elektronarzędzie może być używane w czasie deszczu lub w warunkach wysokiego poziomu wilgoci. Po zakończeniu pracy elektronarzędzie należy wysuszyć.**
- **W następujących sytuacjach należy odłączyć baterie lub akumulator:**
 1. Za każdym razem, gdy użytkownik zostawia maszynę;
 2. Przed usunięciem zatoru;
 3. Przed kontrolą, czyszczeniem lub wykonywaniem prac przy urządzeniu;
 4. Jeżeli urządzenie zacznie nietypowo drgać.
- **Na pochyłościach należy zawsze dbać o zachowanie równowagi.**
- **Należy chodzić, a nie biegać.**
- **Należy dbać o czystość i drożność wszystkich wlotów powietrza układu chłodzenia.**
- **Narzędzia należy używać tylko o rozsądnych porach dnia – nie wcześniej rano i nie późno wieczór, gdy mogłoby to przeszkadzać innym ludziom.**
- **W warunkach znacznego zapylenia zaleca się lekko zwilżać oczyszczane powierzchnie lub używać przystawki nawilżającej.**

⚠ OSTRZEŻENIE: Uwaga na obracające się części!

- **Należy używać pełnego przedłużenia dyszy dmuchawy, tak aby doprowadzać strumień powietrza blisko ziemi.**
- **Nie należy używać maszyny w pobliżu otwartych okien, itp.**

KONSERWACJA I PRZECHOWYWANIE

- **Należy dbać o to, aby wszystkie nakrętki, śruby i wkręty były dokręcone, tak aby urządzenie działało w sposób całkowicie bezpieczny.**
- **Zużyte lub uszkodzone części należy wymieniać.**
- **Należy używać wyłącznie oryginalnych części zamiennych i akcesoriów.**
- **Urządzenie należy przechowywać w suchym miejscu.**

⚠ OSTRZEŻENIE: Aby ograniczyć ryzyko pożaru, porażenia prądem lub urazów:

WAŻNE

PRZED UŻYCIEM UWAŻNIE PRZECZYTAJ.

ZACHOWAJ NA PRZYSZŁOŚĆ.

- Nie należy pozwalać dzieciom używać dmuchawy jako zabawki. Używanie urządzenia przez lub w pobliżu dzieci wymaga szczególnej uwagi.
- Jeżeli dmuchawa nie działa tak, jak powinna, została upuszczona, uszkodzona lub wpadła do wody, należy ją oddać do centrum serwisowego.
- Nie należy wkładać żadnych przedmiotów do otworów. Nie wolno używać urządzenia z zapchanymi otworami. Chronić przed kurzem, klaczkami, włosami i wszystkim, co może zmniejszać przepływ powietrza.
- Szczególną ostrożność należy zachowywać podczas sprzątania na schodach.
- Gdy wtyczka akumulatora jest włożona do narzędzia, dmuchawy nie należy zostawiać bez nadzoru. Gdy dmuchawa nie jest używana oraz przed serwisowaniem należy wyjąć z niej akumulator.
- Nie należy dotykać mokrymi rękoma ładowarki, w tym także jej wtyczki i wyprowadzeń.
- Akumulatora nie należy ładować na dworze.

⚠ OSTRZEŻENIE:


- Przed użyciem akumulator należy wyjąć z urządzenia.
- Akumulator należy zutylizować w sposób bezpieczny.
- **NIE NALEŻY** próbować odtkać urządzenia bez wcześniejszego wyjęcia z niego akumulatora.
- **Należy dbać o to, aby dmuchawa i jej uchwyt były suche, czyste i niezaplamione olejem lub smarem.** Do czyszczenia należy zawsze używać czystej ściereczki. Do czyszczenia dmuchawy nigdy nie należy stosować płynów hamulcowych, benzyny, produktów ropopochodnych lub jakichkolwiek innych silnych rozpuszczalników. Stosowanie tej zasady ograniczy ryzyko uszkodzenia plastikowej obudowy.
- **W przypadku pojawienia się źródła zapłonu takiego jak np. świeczka w podgrzewaczu do wody, akumulatory mogą wybuchnąć.** Aby ograniczyć ryzyko ciężkich urazów ciała, nigdy nie należy używać jakichkolwiek produktów bezprzewodowych w obecności otwartych płomieni. Wybuch akumulatora może spowodować wyrzucenie w powietrze odpadów

i substancji chemicznych. W przypadku zetknięcia się z nimi, zabrudzone miejsce trzeba natychmiast przepłukać wodą.

- **Nigdy nie należy używać urządzenia bez zainstalowania właściwego osprzętu.** Należy zawsze pilnować, aby rura dmuchawy była zainstalowana.
- **Nigdy nie należy używać urządzenia w pobliżu ognia lub gorącego popiołu.** Używanie w pobliżu ognia lub popiołu może rozprzestrzenić ogień i doprowadzić do poważnych urazów i/lub strat materialnych.
- **Nigdy nie należy używać dmuchawy do rozprowadzania chemikaliów, nawozów lub jakichkolwiek innych substancji toksycznych.** Rozprowadzanie tych substancji może doprowadzić do ciężkich urazów operatora lub osób postronnych.
- **Niniejszą instrukcję należy zachować.** Zachęcamy do częstego korzystania z niej. Instrukcja może też posłużyć do przeszkolenia innych osób, które będą używały narzędzia. Aby zapobiec niewłaściwemu użytkowaniu i możliwym urazom, jeśli narzędzie zostanie komuś pożyczone, osobie tej należy również udostępnić niniejszą instrukcję.

ZACHOWAJ TĘ INSTRUKCJĘ!

SPECYFIKACJA

Napięcie	56 V 
Maksymalną objętość powietrza	1020 m³/h
Maksymalną prędkość powietrza	232 km/h
Maksymalna siła dmuchawy	19 N
Zalecana temperatura użytkowania	От -15 до 40 °C
Zalecana temperatura przechowywania	От -20 до 70 °C
Przybliżony czas działania (z akumulatorem EGO 56 V 5,0 Ah)	15 min (Turb)
	22 min (Duża prędkość)
	120 min (Mała prędkość)
Ciężar dmuchawy (bez akumulatora, z rurą)	5,7 kg
Zmierzony poziom mocy akustycznej L _{WA}	94,6 dB(A) K=0,8 dB(A)

Poziom ciśnienia akustycznego przy uchu operatora L_{PA}	82 dB(A) K=2,5 dB(A)
Gwarantowany poziom mocy akustycznej L_{WA} (zmierzony zgodnie z dyrektywą 2000/14/WE)	95 dB(A)
Drgania a_h	0,522 m/s ² K=1,5 m/s ²

- Deklarowana całkowita wartość drgań została zmierzona zgodnie ze standardowymi metodami testowania i może służyć do porównywania różnych narzędzi.
- Deklarowana całkowita wartość drgań może również służyć do wstępnej oceny narażenia na drgania.

UWAGA: W zależności od sposobu eksploatacji, emisja wibracji podczas faktycznego użytkowania elektronarzędzia może się różnić od wartości deklarowanej. Aby chronić operatora, w rzeczywistych warunkach użytkowania użytkownik powinien nosić rękawice i nauszki ochronne.

LISTA ELEMENTÓW W OPAKOWANIU

NAZWA CZĘŚCI	ILOŚĆ
Dmuchawa	1
Rura nadmuchowa	3
Instrukcja operatora	1

OPIS

ZAPOZNANIE SIĘ Z DMUCHAWĄ (Rys. A & B)

1. Uchwyt
2. Przycisk wyjmowania akumulatora
3. Zatrask
4. Styki elektryczne
5. Mechanizm odłączania
6. Wlot powietrza
7. Rura przednia (Rura zakrzywiona płaska)
8. Wylot powietrza
9. Rura przednia (Rura cylindryczna)
10. Rura środkowa
11. Dźwignia sterująca
12. Regulowana uprzęż
13. Pokrętko schowka na rurę do dmuchawy
14. Przycisk Turbo
15. Pokrętko prędkość/blokada
16. Spust prędkości powietrza

17. Nakrętka motylkowa
18. Rowek do wieszania węża

⚠ OSTRZEŻENIE: Bezpieczne używanie tego produktu wymaga zrozumienia informacji podanych na narzędziu oraz w niniejszej instrukcji obsługi. Konieczna jest także znajomość realizowanego projektu. Przed użyciem produktu należy zapoznać się z wszystkimi jego funkcjami oraz z zasadami dotyczącymi bezpieczeństwa.

MONTAŻ

⚠ OSTRZEŻENIE: W przypadku braku lub uszkodzenia którejsz części nie należy uruchamiać urządzenia aż do momentu wymiany lub naprawy części. Używanie urządzenia z uszkodzonymi lub brakującymi częściami może doprowadzić do poważnych urazów ciała.

⚠ OSTRZEŻENIE: Nie należy próbować przerabiać urządzenia lub tworzyć akcesoriów, które nie są zalecane do używania w dmuchawie. Wszelkie tego typu zmiany lub modyfikacje są niedozwolone i mogą prowadzić do niebezpiecznych sytuacji oraz poważnych urazów ciała.

⚠ OSTRZEŻENIE: Aby zapobiec przypadkowemu włączeniu, które mogłoby spowodować urazy ciała, na czas mocowania części z narzędzia należy zawsze wyjmować akumulator.

MONTAŻ RUR DMUCHAWY

1. Do dmuchawy przeznaczone są 3 rury: dwie rury przednie (rura cylindryczna i płaska rura zakrzywiona) oraz rura środkowa (Rys. C).
2. Najpierw założyć rurę cylindryczną na rurę środkową. Dopasować rowki na rurze cylindrycznej do pokrętła na rurze środkowej (Rys. D).
3. Popchnąć rurę środkową do przodu, aż pokrętko zaczepi się o rowki. Następnie przekręcić rurę środkową w kierunku zaznaczonym strzałką, aż pokrętko przesunie się w pozycję blokady (Rys. E).

Rys. C i D – Opis części patrz poniżej:

C-1	Rura cylindryczna	D-1	Pokrętko
C-2	Rura zakrzywiona płaska	D-2	Rowki do różnych pozycji blokady
C-3	Rura środkowa		

⚠ UWAGA: Przed zablokowaniem rury środkowej podczas obracania, użytkownik zobaczy wbudowany ogranicznik, który daje pewien opór. Kontynuować obracanie rury wokół ogranicznika aż rura przesunie się w pozycję zablokowaną.

4. Rurę można skrócić lub wydłużyć odpowiednio do własnych preferencji przez zablokowanie rury środkowej w różnych pozycjach (Rys. F).

Rys. F – Opis części patrz poniżej:

F-1	Zablokowanie w pierwszej pozycji
F-2	Zablokowanie w drugiej pozycji

5. Zamocować moduł rury na obudowie dmuchawy w ten sam sposób (Rys. G).

W celu założenia do dmuchawy rury zakrzywionej należy wykonać te same czynności.

6. Aby zdjąć moduł rury z obudowy dmuchawy lub rozłączyć obydwie rury, najpierw należy przekręcić rurę w kierunku odblokowywania w celu otwarcia zatrzasku, a potem pociągnąć rurę prosto na zewnątrz.

UŻYTKOWANIE

⚠ OSTRZEŻENIE: Nie wolno dopuścić do tego, aby znajomość narzędzia doprowadziła do nieuwagi. Należy pamiętać, że do spowodowania poważnych obrażeń wystarczy zaledwie chwila nieuwagi.

⚠ OSTRZEŻENIE: Nie należy używać końcówek lub akcesoriów innych niż zalecane przez producenta produktu. Używanie końcówek lub akcesoriów innych niż zalecane może doprowadzić do poważnych obrażeń.

⚠ OSTRZEŻENIE: Przed montażem części, regulacją i czyszczeniem oraz gdy produkt nie jest używany należy zawsze wyjąć z niego akumulator. Wyjęcie akumulatora zapobiega przypadkowemu włączeniu, które mogłoby spowodować ciężkie urazy ciała.

Przed każdym użyciem należy skontrolować cały produkt pod kątem uszkodzonych, brakujących lub obluzowanych części takich jak śruby, wkręty, nakrętki, nasadki, itp. Wszystkie elementy połączeniowe i nasadki należy mocno dokręcić. Nie używać produktu zanim wszystkie brakujące lub uszkodzone części nie zostaną wymienione.

UWAGA: W nagłych wypadkach należy rozpiąć klamrę na piersiach i zdjąć dmuchawę.

ZASTOSOWANIE

Urządzenia można używać wyłącznie do celów podanych poniżej:

- Sprzątanie twardych powierzchni takich jak podjazdy i chodniki.
- Usuwanie z tarasów i podjazdów liści i igieł sosny.

UWAGA: Narzędzia należy używać tylko do celów zgodnych z przeznaczeniem. Wszelkie inne zastosowania uznaje się za niezgodne z przeznaczeniem.

INSTALOWANIE/WYJMOWANIE AKUMULATORA

Naładować przed pierwszym użyciem.

W urządzeniu należy używać wyłącznie akumulatorów i ładowarek podanych na rys. A.

⚠ UWAGA: Aby uzyskać najlepsze wyniki, zalecamy używanie akumulatora EGO 56 V BA2800 (5,0 Ah) lub dowolnego innego akumulatora EGO 56 V o większej pojemności.

■ Instalowanie(Rys. H)

Należy wyrównać żeberka akumulatora względem szczelin mocujących i wsunąć akumulator do ładowarki aż da się słyszeć kliknięcie.

■ Wyjmowanie(Rys. I)

Należy wcisnąć przycisk wyjmowania akumulatora i wysunąć akumulator.

⚠ OSTRZEŻENIE: Gdy użytkownik naciska przycisk wyjmowania akumulatora, należy zawsze uważać na swoje stopy oraz miejsce, w którym znajdują się dzieci i zwierzęta. Upuszczenie akumulatora może doprowadzić do poważnych urazów. NIGDY nie należy wyjmować akumulatora, gdy znajduje się on wysoko.

USTAWIANIE DMUCHAWY PLECAKOWEJ W ODPowiedNIEJ POZYCJI

⚠ OSTRZEŻENIE: Aby ograniczyć ryzyko obrażeń, podczas pracy narzędziem należy nosić odpowiednią odzież. Nie należy nosić luźnych ubrań ani biżuterii. Należy nosić środki ochrony oczu i ochronniki słuchu. Należy nosić ciężkie długie spodnie, solidne buty i rękawice. Nie należy nosić krótkich spodni lub sandałów ani używać narzędzia na boso.

Regulacja uprząży podtrzymującej

1. Przełożyć ręce przez paski plecaka, aby włożyć sobie dmuchawę na plecy.
2. Tymczasowo wyregulować obydwa paski naramienne w wygodnej pozycji (Rys. J), upewnić się, aby w wygodnej pozycji znajdował się również łokieć.
3. Zapiąć sprzączkę piersiową i w razie potrzeby wyregulować jej długość (Rys. K).
4. Zapiąć sprzączkę biodrową i wyregulować jej długość, tak aby plecak opierał się na biodrach użytkownika (Rys. L i M).

UWAGA: Plecak nie może znajdować się na plecach zbyt wysoko; powinno się go umieścić raczej bliżej bioder niż blisko ramion.

5. Poprawić paski naramienne tak, aby były bezpieczne i wygodne. Upewnić się, że plecak bezpiecznie spoczywa na plecach użytkownika, ciężar plecaka powinien być podtrzymywany pasem biodrowym, nie może się nadmiernie poruszać podczas poruszania się użytkownika (Rys. N).
6. Nadmiar długości pasa biodrowego zamocować z obu stron gumką (Rys. O).
7. Aby zdjąć narzędzie z pleców, wystarczy nacisnąć i otworzyć sprzączki biodrową i piersiową i opuścić narzędzie (Rys. P).

Regulacja uchwytu sterującego

1. Poluzować nakrętkę motylkową, aby przestawić uchwyt do przodu lub do tyłu, odpowiednio do potrzeb (Rys. Q i R), następnie dokręcić nakrętkę motylkową w celu zablokowania uchwytu w wybranej pozycji.
2. W celu uzyskania komfortu uchwyt można też odpowiednio do potrzeb obrócić (Rys. S).
3. Aby powiększyć powierzchnię sprzątania, należy przesunąć rurę w lewo lub w prawo (Rys. T).

WŁĄCZANIE/WYŁĄCZANIE DMUCHAWY (Rys. U)

Tylko spust prędkości powietrza

- Aby włączyć dmuchawę, należy wcisnąć spust prędkości powietrza.
- Prędkość powietrza nadmuchiwanego przez dmuchawę jest sterowana spustem z regulacją prędkości. Silniejsze wciśnięcie spustu zwiększa prędkość nadmuchiwanego powietrza; słabszy nacisk na spust powoduje zmniejszenie prędkości nadmuchu. Prędkość należy dostosować do wykonywanych prac.
- Aby wyłączyć dmuchawę, wystarczy puścić spust prędkości powietrza.

Tylko pokrętko prędkość/blokada

Za pomocą pokrętła prędkość/blokada dmuchawę można włączyć i zablokować z dowolnym ustawieniem prędkości.

- Aby włączyć dmuchawę, pokrętko prędkość/blokada należy przekręcić w prawo (zgodnie z kierunkiem ruchu wskazówek zegara). Im pokrętko jest bardziej przekręcone w prawo, tym większa jest prędkość nadmuchu.
- Aby zmniejszyć prędkość powietrza, pokrętko prędkość/blokada należy przekręcić w lewo (przeciwnie do kierunku ruchu wskazówek zegara). Aby wyłączyć dmuchawę, należy kręcić pokrętłem prędkość/blokada w lewo aż do pozycji „wyłączone”.

- Aby wyłączyć dmuchawę, należy kręcić pokrętłem prędkość/blokada w lewo aż do pozycji „wyłączone”.

Informacja: Jeśli przed włączeniem dmuchawy pokrętko prędkość/blokada nie zostanie przekręcone do pozycji „wyłączone”, wówczas po włożeniu naładowanej baterii dmuchawa nie włączy się poprzez pokrętko prędkość/blokada. Jest to mechanizm zabezpieczający przed przypadkowym włączeniem. Wciśnięcie spustu prędkości powietrza może spowodować wyłączenie mechanizmu zabezpieczającego.

Wciśnięcie w czasie pracy przycisku turbo powoduje chwilowe zwiększenie prędkości powietrza do maksymalnego poziomu. Gdy przycisk turbo zostanie puszczone, dmuchawa wróci do poprzednio ustawionej prędkości.

Rys. U – Opis części patrz poniżej:

U-1	Pokrętko prędkość/blokada	U-3	Spust prędkości powietrza
U-2	Przycisk Turbo		

WSKAZÓWKI DOTYCZĄCE KORZYSTANIA Z DMUCHAWY

- Aby nie rozrzucać śmieci, należy omijać strumieniem powietrza z dmuchawy zewnętrzne krawędzie kucek śmieci. Nigdy nie należy kierować strumienia powietrza bezpośrednio w środek kupki śmieci.
- Aby ograniczyć poziom hałasu, należy ograniczyć liczbę jednocześnie używanych urządzeń.
- Należy używać grabi i miotel, aby przed użyciem dmuchawy wrzucić zanieczyszczenia. Przy dużym zapyleniu, o ile tylko jest dostępna woda, dobrze jest lekko zwilżyć sprzątaną powierzchnię.
- Należy uważać na dzieci, zwierzęta domowe, otwarte okna i świeżo umyte samochody, zanieczyszczenia należy usuwać w bezpiecznej od nich odległości.
- Po zakończeniu używania dmuchaw i innych urządzeń, należy posprzątać. Odpady należy usunąć we właściwy sposób.
- Ponieważ silne wibracje i hałas mogą być szkodliwe dla zdrowia, nie zaleca się długotrwałego używania dmuchawy na wysokich obrotach.

KONSERWACJA

⚠ OSTRZEŻENIE: Podczas serwisowania należy używać wyłącznie części zamiennych identycznych z oryginalnymi. Używanie jakichkolwiek innych części stwarza ryzyko i może spowodować usterkę produktu. Aby zagwarantować bezpieczeństwo i niezawodność, wszystkie naprawy powinny być wykonywane przez wykwalifikowanych techników serwisu.

⚠ OSTRZEŻENIE: Aby uniknąć poważnych obrażeń ciała, na czas czyszczenia lub wykonywania prac konserwacyjnych należy zawsze wyjmować z urządzenia akumulator.

KONSERWACJA OGÓLNA

Podczas czyszczenia części plastikowych należy unikać używania rozpuszczalników. Pod wpływem kontaktu z różnego rodzaju rozpuszczalnikami dostępnymi w handlu większość tworzyw może ulec uszkodzeniu. Do usuwania zabrudzeń, kurzu, oleju, smaru itp. należy używać czystych ściereczek.

⚠ OSTRZEŻENIE: Nigdy nie należy dopuszczać do zetknięcia się części plastikowych z substancjami takimi jak płyn hamulcowy, benzyna, produkty ropopochodne, oleje penetrujące itp. Substancje chemiczne mogą uszkodzić, osłabić lub zniszczyć tworzywa, co może w konsekwencji spowodować poważne obrażenia.

PRZECHOWYWANIE

- Wyjąć akumulator z dmuchawy.
- Z dmuchawy i jej wlotów powietrza należy usunąć wszystkie zanieczyszczenia.
- Dopasować pokrętko schowka na rurę do dmuchawy do rowka do mocowania rury oraz zaczepić rurę dmuchawy na obudowie schowka na baterie (Rys. V i W).
- Przechowywać w zamkniętych pomieszczeniach, w miejscu niedostępnym dla dzieci. Narzędzie należy chronić przed żrącymi substancjami takimi jak chemia ogrodnicza i sól do usuwania lodu.

Rys. V – Opis części patrz poniżej:

V-1	Pokrętko schowka na rurę do dmuchawy
V-2	Rowek do wieszania węża

Ochrona środowiska



Urządzeń elektrycznych, ładowarki do akumulatorów oraz akumulatorów/baterii akumulatorowych nie należy wyrzucać do zwykłych zmieszanych śmieci domowych!

Zgodnie z dyrektywami Wspólnoty Europejskiej, odpowiednio nr 2012/19/WE i 2006/66/WE, urządzenia elektryczne i elektroniczne nienadające się dłużej do użycia oraz uszkodzone lub zużyte akumulatory/baterie trzeba zbierać oddzielnie i utylizować w sposób bezpieczny dla środowiska.

Wyrzucanie urządzeń elektrycznych na wysypisko grozi wyciekami niebezpiecznych substancji do wód gruntowych i przedostaniem się ich do łańcucha pokarmowego, ze szkodą dla zdrowia i jakości życia użytkownika.

ROZWIĄZYWANIE PROBLEMÓW

PROBLEM	PRZYCZYNA	ROZWIĄZANIE
Dmuchawa nie działa.	<ul style="list-style-type: none"> ■ Akumulator nie jest założony do dmuchawy. ■ Dmuchawa i akumulator nie kontaktują. ■ Akumulator jest rozładowany. ■ Akumulator lub dmuchawa jest zbyt gorący/-a. ■ Przed włączeniem dmuchawy pokrętko prędkość/blokada nie zostało przekreślone do pozycji „wyłączone”. 	<ul style="list-style-type: none"> ■ Włożyć akumulator do dmuchawy. ■ Wyjąć akumulator, sprawdzić styki i założyć akumulator z powrotem. ■ Naładować akumulator. ■ Ostudzić akumulator i dmuchawę do temperatury poniżej 67°C. ■ Wcisnąć spust prędkości powietrza, aby wyłączyć mechanizm zabezpieczający i włączyć dmuchawę lub najpierw przekreślić pokrętko prędkość/blokada w pozycję „wyłączone”.
Znaczny spadek prędkości powietrza.	<ul style="list-style-type: none"> ■ Przeciążenie silnika. ■ Wlot powietrza jest zapchana odpadami. 	<ul style="list-style-type: none"> ■ Skontaktować się z punktem serwisowym EGO w celu dokonania naprawy. ■ Wyjąć akumulator, wyczyścić/usunąć odpady.
Przy prędkości turbo dmuchawa przestaje pracować.	<ul style="list-style-type: none"> ■ Dmuchawa pobierała z akumulatora prąd o dużym natężeniu i przechodzi w tryb auto-ochrony. 	<ul style="list-style-type: none"> ■ Po tym jak zgaśnie kontrolka LED akumulatora należy przestawić przełącznik w pozycję wyłączenia i ponownie włączyć dmuchawę. Aby ponownie włączyć dmuchawę, należy wyjąć akumulator i podłączyć go z powrotem.

PL

GWARANCJA

POLITYKA GWARANCYJNA EGO

W celu zapoznania się z wszystkimi warunkami polityki gwarancyjnej EGO prosimy odwiedzić stronę egopowerplus.com.

PŘEČTĚTE SI VŠECHNY POKYNY!



PŘEČTĚTE SI NÁVOD K OBSLUZE

POZNÁMKA: Tyto pokyny musí být k dispozici také v jiném formátu, např. na webových stránkách.

⚠ Zbytkové riziko! Lidé s elektronickými přístroji, jako jsou např. kardiostimulátory, by se měli před použitím toho výrobku poradit se svým lékařem. Použití elektrického zařízení v těsné blízkosti kardiostimulátoru může způsobit narušení činnosti nebo poruchu kardiostimulátoru.

⚠ VAROVÁNÍ: Z důvodu bezpečnosti by měl všechny opravy a výměny provádět kvalifikovaný servisní technik.

BEZPEČNOSTNÍ SYMBOLY

Účelem bezpečnostních symbolů je upoutat vaši pozornost k případným nebezpečím. Bezpečnostní symboly a jejich vysvětlení vyžadují vaši zvýšenou pozornost a porozumění. Výstražné symboly samy o sobě nevylučují žádné nebezpečí. Pokyny a varování nejsou náhradou vhodných opatření pro prevenci úrazů.

⚠ VAROVÁNÍ: Před použitím tohoto nástroje si přečtěte a seznamte se se všemi bezpečnostními pokyny v tomto návodu k obsluze včetně veškerých výstražných symbolů, jako např. „**NEBEZPEČÍ**“, „**VAROVÁNÍ**“ nebo „**UPOZORNĚNÍ**“. Nedodržení níže uvedených pokynů může mít za následek úraz elektrickým proudem, požár anebo vážná poranění osob.

PREVENCE POŠKOZENÍ A INFORMATIVNÍ ZPRÁVY

Upozorní u uživatele na důležité informace anebo pokyny, jejichž nedodržení může vést k poškození zařízení nebo jiného majetku. Každou zprávu přechází slovo „**POZNÁMKA**“ jako v následujícím příkladu:

POZNÁMKA: Nedodržení těchto pokynů může vést k poškození zařízení anebo majetku.



⚠ VAROVÁNÍ: Při použití elektrického nářadí může dojít k vymrštění cizích těles do očí, což může způsobit jejich závažné poškození. Před použitím elektrického nářadí si vždy nasadte ochranné brýle, ochranné brýle s bočními kryty nebo v případě potřeby obličejový štít. Na brýle nebo standardní ochranné brýle s bočními kryty doporučujeme použít ochrannou masku.

BEZPEČNOSTNÍ POKYNY

Na této stránce jsou zobrazeny a popsány bezpečnostní symboly, které se mohou objevit na výrobku. Před montáží a provozem si přečtěte, seznamte se a dodržujte veškeré pokyny ke stroji.

	Bezpečnostní upozornění	Bezpečnostní opatření týkající se vaší bezpečnosti.
	Používejte ochranu očí	Vždy noste ochranné brýle, ochranné brýle s bočními kryty nebo obličejový štít při použití tohoto výrobku.
	Používejte chrániče sluchu	Při práci s tímto výrobkem vždy používejte chrániče sluchu.
	Přečtěte si návod k obsluze	Z důvodu snížení rizika úrazu si musí uživatel přečíst návod k obsluze.
	Udržujte ostatní osoby v bezpečné vzdálenosti	Udržujte ostatní osoby ve vzdálenosti aspoň 15 m.
V	Voltů	Napětí
A	Ampérů	Proud
Hz	Hertzů	Frekvence (počet cyklů za sekundu)
W	Wattů	Výkon
min	Minut	Doba
m ³ /h	Metr krychlový za hodinu	Objem vzduchu
km/h	Kilometry za hodinu	Rychlost vzduchu
	Střídavý proud	Druh proudu
	Stejnoseměrný proud	Druh nebo vlastnosti proudu
η_0	Rychlost při chodu naprázdno	Otáčky při chodu naprázdno
... /min	Za minutu	Otáčky za minutu

Při používání elektrických zařízení je nutno vždy dodržovat základní bezpečnostní opatření, mimo jiné:

OBECNÁ BEZPEČNOSTNÍ VAROVÁNÍ PRO PRÁCI S ELEKTRICKÝM NÁŘADÍM

▲ VAROVÁNÍ: PŘEČTĚTESI VŠECHNY BEZPEČNOSTNÍ VÝSTRAHY, POKYNY, ILUSTRACE A TECHNICKÉ ÚDAJE DODANÉ S TÍMTO ELEKTRICKÝM NÁŘADÍM. Nedodržení všech níže uvedených pokynů může vést k úrazu elektrickým proudem, požáru a/nebo vážnému úrazu

VŠECHNA VAROVÁNÍ A POKYNY SI USCHOVEJTE PRO BUDOUCÍ POUŽITÍ.

Termín „elektrické nářadí“ ve varováních odkazuje na vaše elektrické (s kabelem) nebo akumulátorové (bez kabelu) elektrické nářadí.

BEZPEČNOST NA PRACOVÍŠTI

- **Udržujte své pracoviště čisté a zajistěte dostatečné osvětlení.** Zaneřáděné a tmavé prostory bývají častou příčinou úrazů.
- **Elektrické nástroje/přístroje neprovozujte ve výbušném prostředí, jako například s výskytem hořlavých kapalin, plynů nebo prachu.** Elektrické nástroje a přístroje totiž produkují jiskru, která může zapálit prach nebo výparu.
- **Při práci s elektrickým nářadím udržujte děti a ostatní osoby v bezpečné vzdálenosti.** Nesoustředěnost může způsobit ztrátu kontroly.

ELEKTRICKÁ BEZPEČNOST

- **Zástrčky elektrického nářadí musí odpovídat zásuvkám. Zástrčku nikdy nijak neupravujte. S uzemněným elektrickým nářadím nepoužívejte žádné rozbočovací zásuvky.** Neupravené zástrčky a shodné zásuvky snižují riziko úrazu elektrickým proudem
- **Vyhýbejte se kontaktu s uzemněnými plochami, například trubkami, radiátory, sporáky a lednicemi.** Pokud jste uzemněni, hrozí vám vyšší riziko úrazu elektrickým proudem.
- **Elektrické nářadí chraňte před deštěm a vlhkem.** Voda vnikající do elektrického nářadí zvyšuje riziko úrazu elektrickým proudem.
- **Kabel nepoužívejte k jiným účelům. Nikdy nepoužívejte kabel k přenášení, tahání nebo odpojování elektrického nářadí z elektrické sítě. Kabely chraňte před horkem, olejem, ostrými hranami nebo pohyblivými díly.** Poškozené nebo spletené kabely zvyšují riziko úrazu elektrickým proudem.
- **Pokud používáte elektrické nářadí venku, použijte prodlužovací kabel vhodný pro venkovní použití.**

Použití kabelu vhodného pro venkovní použití snižuje riziko úrazu elektrickým proudem.

- **Pokud musíte s elektrickým nářadím pracovat ve vlhkém prostředí, použijte napájení chráněné zemním jističem.** Použití přerušovače zemního obvodu (GFCI) snižuje riziko úrazu elektrickým proudem.

BEZPEČNOST OSOB

- **Zůstaňte pozorní, sledujte, co děláte, a při práci s elektrickým nářadím buďte soudní. Elektrické nářadí nepoužívejte, jste-li unavení, pod vlivem návykových látek, alkoholu nebo léků.** Jediná chvilka nepozornosti při práci s elektrickým nářadím může mít za následek vážný úraz.
- **Používejte osobní ochranné pomůcky. Vždy používejte ochranu očí.** Ochranné pomůcky, jako např. respirátor, protiskluzová bezpečnostní obuv, pevná přilba nebo chrániče sluchu používané ve vhodném prostředí sniží riziko úrazu.
- **Zabraňte neúmyslnému spuštění. Dbejte, aby byl při zapojení do elektrické sítě anebo k akumulátoru, zdvihnutí nebo přenášení elektrického nářadí spínač v poloze vypnuto.** Přenášení elektrického nářadí s prstem na spínači, nebo zapojování elektrického nářadí, které má zapnutý spínač, může snadno způsobit nehodu či úraz.
- **Před zapnutím elektrického nářadí odstraňte stavěcí klíny nebo klíče.** Klíč nebo klín, který zůstane na rotující části elektrického zařízení, může způsobit úraz.
- **Nepřeceňujte své síly. Vždy udržujte pevný postoj a rovnováhu.** Umožní vám to lepší ovládání elektrického nářadí v nečekaných situacích.
- **Používejte vhodný oděv. Nenoste volný oděv ani šperky. Vlasy, oděv a rukavice chraňte před pohyblivými díly.** Volný oděv, šperky nebo dlouhé vlasy se mohou zachytit do pohyblivých se dílů.
- **Pokud jsou zařízení vybavena přípojkami pro zařízení k odsávání a sběr prachu, zajistěte, aby tato byla připojená a řádně používaná.** Použití zařízení k odsávání prachu může snížit rizika spojená s prachem.
- **Nedovolte, abyste se po získání zkušeností častým používáním nástrojů stali neobezřetnými a ignorovali zásady bezpečnosti.** Nedbalá činnost může způsobit vážné zranění za zlomek sekundy.

POUŽITÍ A PÉČE O ELEKTRICKÉ NÁŘADÍ

- **Elektrické nářadí nepřetěžujte. K práci používejte vhodné elektrické nářadí.** Správné elektrické nářadí vykoná práci lépe a bezpečněji rychleji, pro niž je navrženo.

GZ

- **Nepoužívejte elektrické nářadí v případě, že vypínač nefunguje.** Jakékoliv elektrické nářadí, které nelze ovládat spínačem, je nebezpečné a musí se opravit.
- **Před prováděním úprav, výměnou příslušenství nebo uskladněním elektrického nářadí odpojte zástrčku od elektrické sítě anebo vyjměte akumulátor.** Tato preventivní opatření snižují riziko neúmyslného spuštění elektrického nářadí.
- **Nepoužívané elektrické nářadí uchovávejte mimo dosah dětí a nenechte s elektrickým nářadím pracovat osoby, které se neseznámily s elektrickým nářadím nebo těmito pokyny.** Elektrické nářadí se v rukou nekvalifikovaných osob stává nebezpečným.
- **Údržba elektrického nářadí.** Kontrolujte případnou nesouosost nebo ohyb pohybujících se částí, narušení dílů a ostatní podmínky, které mohou ovlivnit provoz elektrického nářadí. V případě poškození nechejte elektrické nářadí před použitím opravit. Řada nehod je způsobena nedostatečně udržovaným elektrickým nářadím.
- **Řezné nástroje udržujte ostré a čisté.** Řádně udržované řezné nástroje s ostrými řeznými hranami nemají tendenci se ohýbat a snadněji se ovládají.
- **Elektrické nářadí, příslušenství, nástavce nástrojů atd. používejte v souladu s těmito pokyny a s přihlednutím k pracovním podmínkám a vykonávané práci.** Používání elektrického nářadí k činnostem, pro které není určeno, může vést k nebezpečným situacím.
- **Udržujte rukojeti a uchopovací plochy suché, čisté, bez oleje a maziva.** Kluzké držadla a uchopovací plochy neumožňují bezpečnou manipulaci s nástrojem a jeho ovládání v nečekaných situacích.

POUŽITÍ A PÉČE O AKUMULÁTOROVÉ NÁŘADÍ

- **K nabíjení používejte pouze nabíječku doporučenou výrobcem.** Nabíječka vhodná pro jeden typ akumulátoru může způsobit požár při použití s jiným typem akumulátoru.
- **Elektrické nářadí používejte výhradně se specifikovanými akumulátory.** Použití jiných akumulátorů může způsobit riziko úrazu nebo požáru.
- **Pokud akumulátor nepoužíváte, uchovávejte jej v bezpečné vzdálenosti od kovových předmětů jako jsou např. kancelářské sponky, mince, klíče, hřebíky, šrouby nebo jiné malé kovové předměty, které mohou propojit jednotlivé póly.** Zkrat pólů akumulátoru může způsobit popáleniny nebo požár.
- **V nepříznivých podmínkách může dojít k úniku tekutiny z akumulátoru; vyhněte se styku s ní.** Pokud dojde k neúmyslnému styku, opláchněte

místo vodou. Pokud dojde k zasažení očí, vyhledejte navíc lékařské ošetření. Kapalina unikající z akumulátoru může způsobit podráždění nebo popáleniny.

- **Nepoužívejte akumulátor nebo nástroj, který je poškozen nebo upraven.** Poškozené nebo upravené baterie se mohou chovat nepředvídatelně, což může vést k požáru, výbuchu nebo nebezpečí zranění.
- **Nevystavujte akumulátor ani nástroj ohni nebo nadměrné teplotě.** Při vystavení ohni nebo teplotě nad 130 °C může dojít k výbuchu.
- **Dodržujte všechny pokyny pro nabíjení a nenabíjejte baterii nebo nástroj mimo rozsah teplot uvedených v pokynech.** Nesprávné nabíjení nebo při teplotách mimo stanovený rozsah může poškodit akumulátor a zvýšit riziko požáru.

SERVIS

- **Svěřte opravu vašeho elektrického nářadí kvalifikované osobě používající pouze shodné náhradní díly.** Tím zajistíte bezpečnost elektrického nářadí.
- **Nikdy neopravujte poškozené akumulátory.** Servis akumulátorů smí provádět pouze výrobce nebo autorizovaní poskytovatelé služeb.

PŘED POUŽITÍM TOHOTO VÝROBKU SI PŘEČTĚTE VŠECHNY POKYNY!

ŠKOLENÍ

- **Přístroj nesmí používat děti, osoby se sníženými fyzickými, smyslovými nebo duševními schopnostmi nebo s nedostatečnými zkušenostmi a znalostmi nebo osoby, které se neseznámily s těmito pokyny.**
- **Obsluha nebo uživatel je zodpovědný za nehody nebo ohrožení jiných osob nebo jejich majetku.**

PŘÍPRAVA

- **Elektrické nářadí může být použito v dešti nebo za mokra. Po ukončení práce vysušte nářadí.**
- **Před použitím zkontrolujte, zda nejsou baterie nebo akumulátory poškozené.** Zařízení nepoužívejte, pokud jsou baterie nebo akumulátory poškozené.

POUŽITÍ

- **Elektrické nářadí může být použito v dešti nebo za mokra. Po ukončení práce vysušte nářadí.**
- **Odpojte baterie nebo akumulátory:**
 1. Kdykoliv od stroje odcházejte;

2. Před odstraněním překážky;
3. Před kontrolou, čištěním nebo prací na zařízení;
4. Pokud začne zařízení neobvykle vibrovat.

- **Ve svahu vždy dbejte na pevný postoj.**
- **Kráčejte, nikdy neběhejte.**
- **Všechny přívody vzduchu udržujte v čistotě.**
- **Doporučujeme používat stroj pouze ve vhodnou dobu – nikdy ne brzy ráno nebo pozdě v noci, kdy by to mohlo ostatní rušit.**
- **V prašném prostředí doporučujeme povrch mírně navlhčit, nebo použít rozprašovací nástavec.**

⚠ VAROVÁNÍ: Nebezpečné rotující části!

- **Použijte kompletní nástavec trysky foukače, aby mohl proud vzduchu pracovat blízko u země.**
- **Stroj nepoužívejte v blízkosti otevřených oken atd.**

ÚDRŽBA A SKLADOVÁNÍ

- **Řádně utahujte všechny šrouby a matice pro zajištění bezpečného provozního stavu zařízení.**
- **Opotřebené nebo poškozené díly vyměňte.**
- **Používejte pouze originální náhradní díly a příslušenství.**
- **Zařízení skladujte pouze v suchu.**

⚠ VAROVÁNÍ: Pro snížení rizika vzniku požáru, úrazu elektrickým proudem, nebo úrazu:

DŮLEŽITÉ

ČTĚTE PEČLIVĚ PŘED POUŽITÍM.

USCHOVEJTE PRO BUDOUCÍ POUŽITÍ.

- **Foukač není hračkou pro děti. Děti mohou zařízení používat pouze pod dohledem dospělé osoby.**
- **Pokud foukač nefunguje, jak by měl, upadl, byl poškozen, nebo upadl do vody, zašlete jej do servisního střediska.**
- **Do otvorů nevkládejte žádné předměty. Nepoužívejte se zakrytými otvory; udržujte otvory bez prachu, chuchvalců, vlasů a dalších nečistot, které by mohly omezit proud vzduchu.**
- **Při čištění schodů dbejte zvýšené opatrnosti.**
- **Nenechávejte foukač bez dozoru, pokud je v něm zapojena zástrčka akumulátoru. Pokud foukač nepoužíváte, nebo provádíte servis, vyjměte akumulátor.**

- **Nedotýkejte se nabíječky, zástrčky ani kontaktů nabíječky mokřma rukama.**
- **Akumulátor nenabíjejte venku.**

⚠ VAROVÁNÍ:

- Před likvidací vyjměte ze zařízení akumulátor.
- Akumulátor likvidujte bezpečným způsobem.
- **NEPOKOUŠEJTE** se odstranit překážky ze zařízení, aniž byste nejprve vyjmuli akumulátor.
- **Udržujte foukač a jeho rukojeť suché, čisté, bez oleje a maziva.** Při čištění vždy používejte čistý hadr. K čištění foukače nikdy nepoužívejte brzdové kapaliny, benzin, produkty na bázi ropy nebo silná rozpouštědla. Dodržování této zásady sníží riziko ztráty kontroly a poškození plastu krytu.
- **V přítomnosti zdroje vznícení, jako je např. hořák, mohou akumulátory vybuchnout.** Z důvodu snížení rizika vážného úrazu nikdy nepoužívejte akumulátorové výrobky v přítomnosti otevřeného ohně. Akumulátor, který vybuchne, může vymrštit úlomky nebo chemické látky. V případě zasažení okamžitě postižené místo omyjte vodou.
- **Nikdy jednotku nespouštějte bez instalace správného vybavení.** Vždy dbejte, aby byla instalovaná trubice foukače.
- **Foukač nikdy nepoužívejte v blízkosti ohně nebo horkého popela.** Použití v blízkosti ohně nebo popela může rozšířit oheň a vést v vážnému úrazu anebo poškození majetku.
- **Nikdy nepoužívejte foukač k aplikaci chemických látek, hnojiv nebo jiných toxických látek.** Aplikace těchto látek může vést k vážnému úrazu obsluhy nebo dalších osob.
- **Tyto pokyny uschovejte pro budoucí použití.** Používejte je často a také k poučení dalších osob, které mohou toto nářadí používat. Pokud nářadí někomu půjčíte, půjčte mu také tento návod k obsluze, aby nedošlo k nesprávnému použití výrobků nebo případně k úrazu.

ULOŽTE SI TYTO POKYNY!

SPECIFIKACE

Napětí	56 V
Maximální objem vzduchu	1020 m ³ /4
Maximální rychlosti vzduchu	232 km/4
Maximální síla foukače	19 N

Doporučená provozní teplota	От -15 до 40 °C
Doporučená skladovací teplota	От -20 до 70 °C
Přibližná doba chodu (s akumulátorem EGO 56V 5,0Ah)	15 min (Zvýšený výkon)
	22 min (Vysoká rychlost)
	120 min (Nizká rychlost)
Hmotnost foukače (bez akumulátoru, s trubicí)	5,7 kg
Měřená hladina akustického výkonu L_{WA}	94,6 dB(A) K=0,8 dB(A)
Hladina akustického tlaku na sluch obsluhy L_{PA}	82 dB(A) K=2,5 dB(A)
Zaručená úroveň akustického výkonu L_{WA} (měřeno podle směrnice 2000/14/ES)	95 dB(A)
Vibrace a_h	0,522 m/s ² K=1,5 m/s ²

CZ

- Celková deklarovaná hodnota vibrací byla naměřena podle standardní zkušební metody a lze ji použít ke srovnání s jiným nářadím;
- Celkovou deklarovanou hodnotu vibrací lze použít také k předběžnému stanovení expozičních limitů.

POZNÁMKA: Emise vibrací při konkrétním použití elektrického nářadí se mohou lišit od deklarované hodnoty, při které se nářadí používá; z důvodu ochrany provozovatele by měl uživatel ve skutečných pracovních podmínkách nosit rukavice a chrániče sluchu.

OBSAH BALENÍ

NÁZEV DÍLU	MNOŽSTVÍ
Foukač	1
Trubice foukače	3
Návod k obsluze	1

POPIS

SEZNAMTE SE SE SVÝM FOUKAČEM (obr. A)

1. Rukojeť
2. Tlačítko pro uvolnění akumulátoru
3. Západka
4. Elektrické kontakty
5. Vysunovací mechanismus

6. Přívod vzduchu
7. Přední trubice (Zakřivená plochá trubka)
8. Výstup vzduchu
9. Přední trubice (Válcová trubka)
10. Prostřední trubice
11. Ovládací rukojeť
12. Nastavitelný nosný popruh
13. Skladovací knoflík foukací trubice
14. Tlačítko zvýšení výkonu
15. Ovladač rychlost / pojistka
16. Spoušť pro ovládání proudění vzduchu
17. Křídlová matice
18. Drážka pro pověšení trubice

VAROVÁNÍ: Bezpečné používání tohoto výrobku vyžaduje seznámení s informacemi na nářadí a v tomto návodu k obsluze a také s projektem, na kterém pracujete. Před použitím výrobku se seznámte se všemi provozními funkcemi a bezpečnostními zásadami.

MONTÁŽ

VAROVÁNÍ: Pokud jsou některé díly poškozené, nebo chybí, nepoužívejte výrobek, dokud se díly nevymění. Použití tohoto výrobku s poškozenými nebo chybějícími díly může vést k vážnému úrazu.

VAROVÁNÍ: Nepokoušejte se výrobek upravovat ani vytvářet příslušenství, které se k tomuto foukači nedoporučuje. Každá taková změna nebo úprava je nesprávná a může vést k nebezpečné situaci, která může zapříčinit vážný úraz.

VAROVÁNÍ: Pokud provádíte montáž dílů, vždy vyjměte akumulátor, aby nedošlo k neúmyslnému spuštění, které může způsobit vážný úraz.

MONTÁŽ TRUBIC FOUKAČE

1. Pro dmychadlo jsou k dispozici tři trubky: dvě přední trubky (válcová trubka a zakřivená plochá trubka) a střední trubka (obr. C).
2. Nejprve připevňte válcovou trubku na prostřední trubku. Zarovnejte některou z drážek ve válcové trubce s knoflíkem na prostřední trubce (obr. D).
3. Potlačte prostřední trubku dopředu, až dokud knoflík nezapadne do některé z drážek. Poté otočte prostřední trubici ve směru šipky, dokud se knoflík nezasune do uzamčené polohy (obr. E).

Opis částí na obr. C a D viz níže:

C-1	Válcová trubka	D-1	Knoflík
C-2	Zakřivená plochá trubka	D-2	Drážky pro různé pozice uzamčení
C-3	Prostřední trubice		

POZNÁMKA: Před uzamčením střední trubky na místo během otáčení si všimnete zabudovaný doraz, který bude vytvářet určitý odpor. Pokračujte v otáčení trubice za doraz, dokud se zcela nezasune do uzamčené polohy.

4. Můžete zkrátit nebo prodloužit délku trubice podle potřeby uzamčením střední trubice do různých zamykacích poloh (obr. F).

Opis částí na obr. F viz níže:

F-1	Uzamčen v první zamykací poloze
F-2	Uzamčen v druhé zamykací poloze

5. Připevněte sestavu trubíc do krytu foukače stejným způsobem (obr. G).

Při montáži zakřivené ploché trubky na dmychadlo postupujte stejným způsobem.

6. Chcete-li odstranit sestavu trubíc z krytu foukače nebo oddělit trubice, nejdříve otočte trubici do směru odjištění pro uvolnění západky a vytáhněte trubici přímo nahoru.

POUŽITÍ

VAROVÁNÍ: Dbejte, abyste se po seznámení s výrobkem nestali neopatrní. Nezapomínejte, že stačí chvíle nepozornosti a může se stát vážný úraz.

VAROVÁNÍ: Nepoužívejte nástavce nebo příslušenství, které nedoporučuje výrobce tohoto výrobku. Použití nedoporučených nástavců a příslušenství může vést k vážnému úrazu.

VAROVÁNÍ: Pokud provádíte montáž dílů, úpravy, čištění nebo foukač dlouhodobě nepoužíváte, vždy vyjměte akumulátor. Vyjmutí akumulátoru zabrání neúmyslnému spuštění, které může způsobit vážný úraz.

Před každým použitím zkontrolujte celý výrobek, zda není poškozen, nechybí nebo nejsou uvolněné žádné díly, jako např. vrutky, matice, šrouby, uzávěry atd. Pevně utáhněte všechny upevňovací prvky a uzávěry a výrobek nepoužívejte, dokud se nevymění všechny chybějící nebo poškozené díly.

POZNÁMKA: Pokud dojde k nouzové situaci, rozepněte přímo hrudní přezku pro sundání foukače.

POUŽITÍ

Výrobek lze použít k následujícím účelům:

- Čištění pevných povrchů, jako např. příjezdových cest a chodníků.
- Udržování ploch a příjezdových cest bez listů a jehličí.

POZNÁMKA: Náradí se smí používat pouze k vyhrazenému účelu. Jakékoliv jiné použití se považuje za nesprávné.

INSTALACE/VYJMUTÍ AKUMULÁTORU

Před prvním použitím akumulátor nabijte.

Používejte pouze akumulátory a nabíječky uvedené na obr. A.

POZNÁMKA: Pro dosažení nejlepšího výkonu doporučujeme použití baterie EGO 56V BA2800(5.0 Ah) nebo jiné baterie EGO 56V s vyšší kapacitou.

- Instalace (obr. H)
 - Srovnejte žebrovaní akumulátoru s instalačními drážkami a tlačte baterii dokud neuslyšíte „kliknutí“
- Vyjmutí (obr. I)
 - Stiskněte tlačítko pro uvolnění akumulátoru a vytáhněte jej.

VAROVÁNÍ: Při stisku tlačítka pro uvolnění akumulátoru dávejte pozor na nohy, děti nebo domácí zvířata. Pokud akumulátor upadne, může dojít k vážnému úrazu. NIKDY nevyjímejte akumulátor ve zdvižené poloze.

UMÍSTĚNÍ ZÁDOVÉHO FOUKAČE

VAROVÁNÍ: Pro práci s tímto náradím se vhodně oblékněte, abyste snížili riziko úrazu. Nenoste volný oděv ani šperky. Používejte ochranu očí a chrániče sluchu. Noste odolné, dlouhé kalhoty, pevné boty a rukavice. Nenoste krátké kalhoty, sandály ani nechoďte bosí.

Nastavení nosného popruhu

1. Dejte ruce do zádových popruhů pro nošení foukače na zádech.
2. Dočasně upravte oba ramenní popruhy do pohodlné polohy (obr. J), ujistěte se, že váš loket je volný.
3. Zaklapněte hrudní sponu a v případě potřeby (obr. K) nastavte její délku.
4. Zaklapněte pasovou přezku a nastavte délku tak, aby byl foukač na zádech pevně podporován vašimi boky (obr. L a M).

POZNÁMKA: Batoh by neměl být příliš vysoko na zádech; měl by být umístěn blíže k bokům než k vašim ramenům.

GZ

- Upravte ramenní popruhy pro bezpečnost a pohodlí. Ujistěte se, že batoh pevně sedí na zádech, s váhou podporovanou pasovou přezkou a bez nadměrného pohybu při přesunu (obr. N).
- Přebývajícím část popruhu kolem pasu zasuňte do gumičky po obou stranách (obr. O).
- Chcete-li odpojit nástroj ze zad, stačí stisknout pasovou a hrudní přezku pro jejich uvolnění a sundání nástroje (obr. P).

Nastavení ovládací rukojeti

- Uvolněte křídlovou matici pro nastavení rukojeti dopředu nebo dozadu podle potřeby (obr. Q a R) a potom utáhněte křídlovou matici pro zajištění polohy rukojeti.
- Pro větší pohodlí můžete také otočit rukojet podle potřeby (obr. S).
- Chcete-li zvětšit oblast, kterou čistíte, pohybujte trubicí doleva nebo doprava (obr. T).

SPUŠTĚNÍ/VYPNUTÍ FOUKAČE (obr. U)

Pouze spoušť pro ovládání proudění vzduchu

- Stiskněte spoušť pro ovládání proudění vzduchu pro zapnutí foukače.
- Proudění vzduchu je řízeno spouští s proměnlivou rychlostí. Vyšší tlak na spoušť způsobuje vyšší rychlost foukání; menší tlak na spoušť má za následek nižší rychlost foukání. Nastavte rychlost tak, aby vyhovovala úkolu.
- Uvolněte spoušť pro ovládání proudění vzduchu pro vypnutí foukače.

Pouze ovladač rychlost / pojistka

Foukač lze zapnout a zajistit na libovolné rychlosti pomocí ovladače rychlost / pojistka.

- Otočte ovladač rychlost / pojistka ve směru hodinových ručiček pro spuštění foukače. Rychlost vzduchu se zvýší, protože otočný knoflík se otáčí ve směru hodinových ručiček.
- Chcete-li snížit rychlost vzduchu, otáčejte otočným kolečkem proti směru hodinových ručiček. Otáčejte ovladač rychlost / pojistka proti směru hodinových ručiček do polohy vypnuto pro vypnutí foukače.
- Otáčejte ovladač rychlost / pojistka proti směru hodinových ručiček do polohy vypnuto pro vypnutí foukače.

Poznámka: Foukač se nespustí pomocí ovladače rychlost / pojistka, pokud se ovladač rychlost / pojistka nevrátí do vypnuté polohy před jeho zapnutím. Toto je ochranná funkce, která zabraňuje náhodnému uvedení do provozu. Stisknutí přepínače rychlosti vzduchu může vypnout ochranu.

Stiskněte tlačítko zvýšení výkonu pro dočasné zvýšení rychlosti vzduchu na maximální úroveň. Foukač bude pokračovat v předem navolené rychlosti po uvolnění tlačítka zvýšení výkonu.

Opis částí na obr. U viz níže:

U-1	Ovladač rychlost / pojistka	U-3	Spoušť pro ovládání proudění vzduchu
U-2	Tlačítko zvýšení výkonu		

TIPY PRO POUŽÍVÁNÍ FOUKAČE

- Aby se nečistoty nerozptýlily, foukejte kolem vnějšího okraje hromady nečistot. Nikdy nefoukejte přímo do středu hromady.
- Chcete-li snížit hladinu hluku, omezte počet kusů použitého vybavení.
- K uvolnění nečistot před foukáním použijte hrábě a košťata. V prašném prostředí povrch lehce navlhčete, pokud máte k dispozici vodu.
- Dávejte pozor na děti, domácí zvířata, otevřená okna nebo čerstvě umytá auta a foukejte nečistoty bezpečně jiným směrem.
- Po použití foukačů nebo jiného zařízení ukliděte! Nečistoty řádně správně zlikvidujte.
- Nedoporučuje se používat dmychadlo vysokou rychlostí po dlouhou dobu, protože velké vibrace a hluk mohou být škodlivé pro vaše zdraví.

ÚDRŽBA

VAROVÁNÍ: Při opravách používejte pouze originální náhradní díly. Použití jiných dílů může být rizikem nebo způsobit poškození výrobku. Z důvodu bezpečnosti by měl všechny opravy provádět kvalifikovaný servisní technik.

VAROVÁNÍ: Aby nedošlo k vážnému úrazu, vždy při čištění nebo jiné údržbě vyjměte z výrobku akumulátor.

CELKOVÁ ÚDRŽBA

K čistění plastových dílů nepoužívejte rozpouštědla. Většina plastů je náchylná k poškození různými typy komerčních rozpouštědel a jejich použití je může poškodit. K odstranění nečistot, prachu, oleje, maziva atd. použijte čistý hadr.

VAROVÁNÍ: Dbejte, aby nikdy nedošlo ke styku plastových částí s brzdovými kapalinami, benzinem, ropnými produkty, penetračními oleji atd. Chemické látky mohou poškodit, zeslabit nebo poškodit plast, což může vést k vážnému úrazu.

SKLADOVÁNÍ

- Vyjměte akumulátor z foukače.
- Odstraňte všechny nečistoty z přívodů vzduchu foukače.
- Vyrovnajte skladovací knoflík foukací trubice s drážkou pro pověšení trubice a zavěste foukací trubici na kryt prostoru pro baterie (viz obr. V a W).
- Skladujte v uzavřeném prostoru, který není přístupný dětem. Uchovávejte jej v bezpečné vzdálenosti od korozivních látek, jako jsou chemické látky a rozmrazovací soli.

Obr. V, následuje popis dílů:

V-1	Skladovací knoflík foukací trubice
V-2	Drážka pro pověšení trubice

Ochrana životního prostředí



Elektrické zařízení, nabíječku a baterie/ nabíjecí baterie nevhazujte do domovního odpadu!

Podle směrnice Evropského parlamentu a Rady 2012/19/EU se musí odpadní elektrická a elektronická zařízení a podle směrnice 2006/66/ES vadné nebo použité akumulátory/baterie sbírat odděleně a likvidovat ekologicky.

Pokud se elektrická zařízení likvidují na zavážkách nebo skládkách, mohou do podzemní vody prosáknout nebezpečné látky, dostat se do potravního řetězce a poškodit tak vaše zdraví a zdravotní stav.

ODSTRAŇOVÁNÍ PROBLÉMŮ

PROBLÉM	PŘÍČINA	ŘEŠENÍ
Foukač nefunguje.	<ul style="list-style-type: none"> ■ K foukači není připojen akumulátor. ■ Bez elektrického kontaktu mezi foukačem a akumulátorem. ■ Akumulátor je vybitý. ■ Akumulátor foukače je příliš horký. ■ Ovladač rychlost / pojistka nebyl před zapnutím foukače v poloze vypnuto. 	<ul style="list-style-type: none"> ■ Nasadte akumulátor na foukač. ■ Vyjměte akumulátor, zkontrolujte póly a znovu jej nainstalujte. ■ Nabijte akumulátor. ■ Chladte akumulátor a foukač, dokud teplota neklesne pod 67 °C. ■ Stiskněte spoušť pro ovládní proudění vzduchu k deaktivaci ochrany a zapněte foukač nebo nejprve otočte ovladač rychlost / pojistka do vypnuté polohy.
Rychlost vzduchu se výrazně snižuje.	<ul style="list-style-type: none"> ■ Nadměrné opotřebení rotoru motoru. ■ Přívod vzduchu je zablokovaný nečistotami. 	<ul style="list-style-type: none"> ■ S opravou kontaktujte servisní středisko společnosti EGO. ■ Vyjměte akumulátor, odstraňte nečistoty.
Foukač přestane pracovat při zvýšené rychlosti.	<ul style="list-style-type: none"> ■ Foukač vytáhl vysoký proud z baterie a přešel do režimu vlastní ochrany. 	<ul style="list-style-type: none"> ■ Vypněte otočný přepínač a znovu spusťte foukač, když LED kontrolka zhasne. Vyjměte baterii a znovu ji připojte pro restart foukače.

CZ

ZÁRUKA

ZÁRUKA SPOLEČNOSTI EGO

Úplné záruční podmínky společnosti EGO naleznete na webové stránce egopowerplus.com.

PREČÍTAJTE SI VŠETKY POKYNY!



PREČÍTAJTE SI NÁVOD NA OBSLUHU.

POZNÁMKA: Tieto pokyny sú tiež k dispozícii aj v inom formáte, napr. na internetových stránkach.

⚠ Potenciálne riziká! Ľudia s elektronickými zariadeniami, ako sú napríklad kardiostimulátory, sa musia pred použitím tohto výrobku poradiť so svojím lekárom. Použitie elektrických zariadení v tesnej blízkosti kardiostimulátora by mohlo spôsobiť rušenie alebo zlyhanie kardiostimulátora.

⚠ VAROVANIE: Pre zaistenie bezpečnosti a spoľahlivosti je nevyhnutné, aby všetky opravy a výmeny vykonával len kvalifikovaný servisný technik.

BEZPEČNOSTNÉ SYMBOLY

Účelom bezpečnostných symbolov je upozorniť vás na možné nebezpečenstvá. Venujte príslušnú pozornosť a pochopte bezpečnostné symboly a ich vysvetlenia. Varovné symboly, samy o sebe, nedokážu eliminovať nebezpečenstvo. Pokyny a varovania, ktoré obsahujú, nie sú náhradou za vhodné opatrenia na prevenciu úrazov.

⚠ VAROVANIE: Pred použitím tohto nástroja si prečítajte a pochopte všetky bezpečnostné pokyny v tomto návode na obsluhu, vrátane všetkých bezpečnostných výstražných symbolov, ako sú „**NEBEZPEČENSTVO**“, „**VAROVANIE**“ a „**UPOZORNENIE**“. Nedodržanie nižšie uvedených pokynov môže mať za následok úraz elektrickým prúdom, požiar a / alebo vážne zranenie.

PREVENIA POŠKODENIA A INFORMAČNÉ OZNAMY

Informujú používateľa o dôležitých informáciách a / alebo pokynoch, ktorých nedodržanie by mohlo viesť k poškodeniu zariadenia alebo k iným škodám. Každý oznam predchádza slovo „**POZNÁMKA**“, ako je uvedené v nasledujúcom príklade:

POZNÁMKA: Môže dôjsť k poškodeniu zariadenia a / alebo majetku, ak tieto pokyny nie sú dodržiavané.



⚠ VAROVANIE: Prevádzka akéhokoľvek elektrického náradia môže viesť k vymršteniu cudzích predmetov do vašich očí, čo môže spôsobiť vážne poškodenie zraku. Skôr, ako začnete používať elektrické náradie, si vždy nasadte ochranné okuliare alebo ochranné okuliare s postrannými krytmi a prípadne celotvárový štít. Odporúčame použiť bezpečnostnú masku so širokým prierezom cez okuliare alebo štandardné bezpečnostné okuliare s postrannými krytmi.

BEZPEČNOSTNÉ POKYNY

Táto strana zobrazuje a popisuje bezpečnostné symboly, ktoré sa objavujú na tomto výrobku. Pred pokusom o zostavenie a prevádzkovanie si prečítajte, pochopte a dodržiavajte všetky pokyny na stroji.

	Bezpečnostné upozornenie	Opatrenia, ktoré sa týkajú vašej bezpečnosti.
	Používajte ochranu zraku.	Pri práci s týmto výrobkom vždy noste ochranné okuliare alebo ochranné okuliare s postrannými krytmi a celotvárový štít.
	Používajte ochranu sluchu.	Pri práci s týmto výrobkom vždy používajte ochranu sluchu.
	Prečítajte si návod na obsluhu.	Používateľ si musí prečítať návod na obsluhu, aby znížil riziko úrazu.
	Udržiavajte okolostojace osoby v bezpečnej vzdialenosti.	Udržiavajte okolostojace osoby vo vzdialenosti aspoň 15 m.
V	Volt	Napätie
A	Ampéry	Prúd
Hz	Hertz	Frekvencia (cyklov za sekundu)
W	Watt	Výkon
min	Minúty	Čas
m ³ /h	Meter kubický za hodinu	Objem vzduchu

SK

km/h	Kilometre za hodinu	Rýchlosť vzduchu
~	Striedavý prúd	Typ prúdu
≡	Jednosmerný prúd	Typ alebo charakteristika prúdu
n ₀	Rýchlosť bez zaťaženia	Rýchlosť otáčania, bez záťaže
... /min	Za minútu	Otáčky za minútu

Pri používaní elektrického spotrebiča sa musia dodržiavať základné bezpečnostné opatrenia, vrátane nasledovných:

VŠEOBECNÉ BEZPEČNOSTNÉ POKYNY PRE ELEKTRICKÉ NÁRADIE

⚠ VAROVANIE: PREČÍTAJTE SI VŠETKY BEZPEČNOSTNÉ VÝSTRAHY, POKYNY, ILUSTRÁCIE A TECHNICKÉ ÚDAJE DODANÉ S TÝMTO ELEKTRICKÝM NÁSTROJOM. Nedodržanie nižšie uvedených pokynov môže mať za následok úraz elektrickým prúdom, požiar a/alebo vážne zranenie.

ODLOŽTE SI VŠETKY VAROVANIA A POKYNY PRE BUDÚCE POUŽITIE.

Termín „elektrické náradie“ vo varovaniach znamená váš elektrický prístroj zapojený (cez kábel) do prívodu elektrickej energie alebo napájaný (bezdrôtovo) z batérie.

BEZPEČNOSŤ PRACOVISKA

- **Udržiavajte pracovisko čisté a dobre osvetlené.** Neporiadok a tmavé priestory vedú k úrazom.
- **Nepoužívajte elektrické náradie vo výbušnom prostredí, napríklad v prítomnosti horľavých kvapalín, benzínu alebo prachu.** Elektrické náradie vytvára iskry, ktoré môžu zapáliť prach alebo výpary.
- **Pri používaní elektrického náradia udržiavajte deti a okolostojace osoby mimo pracoviska.** Pri rozptyľovaní môžete stratiť kontrolu.

ELEKTRICKÁ BEZPEČNOSŤ

- **Pripojovacia zástrčka musí zodpovedať zásuvke.** Nikdy neupravujte zástrčku akýmkoľvek spôsobom. **Nepoužívajte žiadne rozbočovacie zástrčky s uzemneným elektrickým náradím.** Neupravené zástrčky a príslušné zásuvky obmedzia nebezpečenstvo úrazu elektrickým prúdom.
- **Zabráňte kontaktu tela s uzemnenými povrchmi, ako sú rúry, radiátory, sporáky a chladničky.** Dochádza

k zvýšeniu rizika úrazu elektrickým prúdom, ak je vaše telo uzemnené.

- **Nevystavujte elektrické náradie dažďu alebo vlhkým podmienkam.** Voda vniknutá do elektrického náradia zvyšuje nebezpečenstvo úrazu elektrickým prúdom.
- **Nezaťažujte kábel. Nikdy nepoužívajte kábel na nosenie, ťahanie alebo odpájanie náradia. Udržujte kábel v dostatočnej vzdialenosti od zdrojov tepla, oleja, ostrých hrán alebo pohyblivých častí.** Poškodené alebo zamotané káble zvyšujú riziko úrazu elektrickým prúdom.
- **Ak pracujete s elektrickým náradím vonku, použite predlžovací kábel vhodný na vonkajšie použitie.** Použitie kábla vhodného na vonkajšie použitie znižuje riziko úrazu elektrickým prúdom.
- **Ak je používanie elektrického náradia vo vlhkom prostredí nevyhnutné, použite napájanie chránené uzemneným prúdovým chráničom.** Použitie uzemneného prúdového chrániča znižuje riziko úrazu elektrickým prúdom.

BEZPEČNOSŤ OSÔB

- **Buďte pozorní, sledujte to, čo robíte a používajte zdravý rozum pri práci s elektrickým náradím. Nepoužívajte elektrické náradie, ak ste unavení alebo pod vplyvom drog, alkoholu alebo liekov.** Chvilková nepozornosť pri práci s elektrickým náradím môže mať za následok vážne zranenie.
- **Používajte osobné ochranné pomôcky. Vždy používajte ochranu očí.** Ochranné prostriedky ako respirátor, protišmyková bezpečnostná obuv, prilba alebo chrániče sluchu použité za vhodných podmienok znižujú nebezpečenstvo zranenia.
- **Zabráňte náhodnému spusteniu. Pred pripojením k zdroju napájania a/alebo akumulátoru, pri zdvíhaní alebo prenášaní nástroja sa uistite, že prepínač je vo vypnutej polohe.** Prenášanie náradia s prstom na spínači, alebo prenášanie zapnutého elektrického náradia zvyšuje riziko úrazu.
- **Pred zapnutím elektrického náradia odstráňte akékoľvek nastavovacie nástroje alebo kľúče.** Nástroj alebo kľúč, ktorý zostane pripojený na rotujúcu časť stroja, môže spôsobiť zranenie.
- **Neprečeňujte sa. Pri práci vždy dodržujte správny postoj a rovnováhu.** Umožňuje to lepšiu kontrolu elektrického náradia v neočakávaných situáciách.
- **Vhodne sa oblečte. Nenoste šperky alebo voľný odev. Udržujte vlasy, oblečenie a rukavice v dostatočnej vzdialenosti od pohybujúcich sa dielov.** Voľný odev, šperky alebo dlhé vlasy môžu byť zachytené pohybujúcimi sa dielmi.

- **Pokiaľ je náradie vybavené zariadením na zachytávanie prachu a úlomkov materiálu, skontrolujte, či je k náradiu správne pripevnené.** Použitie odsávania prachu môže znížiť nebezpečenstvo, ktoré súvisí s prachom.
- **Nedovoľte, aby ste sa po získaní skúseností častým používaním nástrojov stali neobozretnými a ignorovali zásady bezpečnosti.** Nedbalá činnosť môže spôsobiť vážne zranenie za zlomok sekundy.

POUŽÍVANIE A STAROSTLIVOSŤ O ELEKTRICKÉ NÁRADIE

- **Netlačte na elektrické náradie. Používajte správne náradie na vašu prácu.** Správne elektrické náradie bude pracovať lepšie a bezpečnejšie pri rýchlosti, na ktorú bolo určené.
- **Nepoužívajte elektrické náradie v prípade, že vypínač nie je možné zapnúť a vypnúť.** Akékoľvek elektrické náradie, ktoré sa nedá ovládať vypínačom je nebezpečné a musí sa opraviť.
- **Pred akýmkoľvek nastavovaním, výmenou príslušenstva alebo pred uložením elektrického náradia odpojte zástrčku od zdroja a/alebo akumulátora.** Tieto preventívne bezpečnostné opatrenia znižujú riziko náhodného spustenia elektrického náradia.
- **Uchovávajte nepoužívané elektronáradie mimo dosahu detí a nedovoľte, aby osoby neoboznámene s elektrickým náradím alebo s týmito pokynmi náradie používali.** Elektrické náradie je nebezpečné v rukách neskúsených používateľov.
- **Starajte sa o elektrické náradie. Skontrolujte nastavenie pohyblivých častí, poškodenie dielov a akékoľvek ďalšie okolnosti, ktoré môžu mať vplyv na funkciu elektrického náradia. Ak je elektrické náradie poškodené, nechajte ho pred použitím opraviť.** Veľa úrazov je zapríčinených zle udržiavaným náradím.
- **Rezacie nástroje udržiavajte ostré a čisté.** Starostlivo ošetrované rezné nástroje s ostrými čepeľami menej pravdepodobne uviaznu a jednoduchšie sa ovládajú.
- **Používajte elektrické náradie, príslušenstvo, násady a pod.** Podľa týchto pokynov s prihliadnutím na pracovné podmienky a prácu, ktorá má byť vykonaná. Použitie elektrického náradia na iné ako určené účely môže viesť k nebezpečným situáciám.
- **Udržujte rukoväte a uchopovacie plochy suché, čisté, bez oleja a maziva.** Klzké držadlá a uchopovacie plochy neumožňujú bezpečnú manipuláciu s nástrojom a jeho ovládanie v nečakaných situáciách.

POUŽÍVANIE A STAROSTLIVOSŤ O NÁRADIE NA BATÉRIE

- **Nabíjajte iba nabíjačkou určenou výrobcom.** Nabíjačka vhodná pre jeden typ akumulátora môže spôsobiť riziko požiaru pri použití s iným akumulátorom.
- **Používajte elektrické náradie iba s výslovnou určenými akumulátormi.** Použitie iných akumulátorov môže spôsobiť riziko úrazu a požiaru.
- **Pokiaľ akumulátor nepoužívate, držte ho mimo dosahu kovových predmetov, ako sú kancelárske sponky na papier, mince, kľúče, klince, skrutky alebo ďalšie drobné kovové predmety, ktoré môžu spôsobiť vzájomné skratovanie vývodov.** Skratovanie kontaktov akumulátora môže spôsobiť popáleniny alebo požiar.
- **V nevhodných podmienkach môže kvapalina unikáť z batérie. Zabráňte kontaktu. Pri náhodnom kontakte opláchnite vodou. Pri zasiahnutí očí vyhľadajte lekársku pomoc.** Unikajúca kvapalina z akumulátora môže spôsobiť podráždenie pokožky alebo popáleniny.
- **Nepoužívajte akumulátor alebo nástroj, ktorý je poškodený alebo upravený.** Poškodené alebo upravené akumulátory môžu mať nepredvídateľné chovanie, ktoré môže viesť k požiaru, výbuchu alebo nebezpečenstvu poranenia.
- **Nevystavujte akumulátor ani nástroj ohňu alebo nadmernej teplote.** Pri vystavení ohňu alebo teplote nad 130 ° C môže dôjsť k výbuchu.
- **Dodržujte všetky pokyny pre nabíjanie a nenabíjajte akumulátor alebo nástroj mimo rozsah teplôt uvedených v pokynoch.** Nesprávne nabíjanie alebo nabíjanie pri teplotách mimo stanovený rozsah môže poškodiť akumulátor a zvýšiť riziko požiaru.

SK

OPRAVA

- **Náradie zverte do opravy kvalifikovanej osobe, ktorá použije iba originálne náhradné diely.** Zabezpečíte tak zachovanie bezpečnosti elektrického náradia.
- **Nikdy neopravujte poškodené akumulátory.** Servis akumulátorov smie robiť iba výrobca alebo autorizovaný poskytovateľ služieb.

PRED POUŽITÍM TOHTO VÝROBKU SI PREČÍTAJTE VŠETKY POKYNY!

ŠKOLENIE

- **Nikdy nedovoľte používať stroj deťom, osobám so zníženými fyzickými, zmyslovými alebo duševnými schopnosťami, alebo nedostatkom skúseností a znalostí alebo ľudom, ktorí nie sú oboznámení s týmito pokynmi.**

- Obsluha alebo používateľ je zodpovedný za nehody a nepredvídané udalosti voči iným osobám a ich majetku.

PRÍPRAVA

- Elektrické náradie sa môže používať, keď prší alebo za mokra. Po ukončení práce vysušte elektrické náradie.
- Pred použitím skontrolujte batérie alebo akumulátory na poškodenie. Nepoužívajte zariadenie, ak sú batérie alebo akumulátory poškodené.

OBSLUHA

- Elektrické náradie sa môže používať, keď prší alebo za mokra. Po ukončení práce vysušte elektrické náradie.
- Odpojte batérie alebo akumulátory
 1. Kedykoľvek opustíte stroj;
 2. Pred odstránením zablokovania;
 3. Pred kontrolou, čistením alebo prácou na zariadení;
 4. V prípade, že nástroj začne nezvyčajne vibrovať.

- Vždy sa uistite o vašom postoji na svahoch.
- Kráčajte, nikdy nebežte.
- Udržujte všetky vzduchové chladiace prívody bez nečistôt.
- Odporúčame prevádzkovať stroj len vo vhodnom čase - nie skoro ráno alebo neskoro v noci, keď by ľudia mohli byť vyrušovaní.
- Odporúčame mierne navlhčiť povrch v prašnom prostredí alebo použiť hlavný nástavec.

⚠ VAROVANIE: Nebezpečenstvo rotujúcich dielov!

- Použite rozširujúcu trysku pre dúchadlo tak, aby prúd vzduchu mohol pracovať blízko pri zemi.
- Nepracujte so strojom v blízkosti otvorených okien a pod.

ÚDRŽBA A SKLADOVANIE

- Udržujte všetky matice a skrutky utiahnuté, aby bol nástroj v bezpečnom prevádzkovom stave.
- Vymeňte opotrebované alebo poškodené diely.
- Používajte iba originálne náhradné diely a príslušenstvo.
- Nástroj skladujte len na suchom mieste.

⚠ VAROVANIE: Ak chcete znížiť riziko požiaru, úrazu elektrickým prúdom alebo poranenia:

DÔLEŽITÉ

PRED POUŽITÍM SI POZORNE PREČÍTAJTE.

ODLOŽTE SI PRE BUDÚCU POTREBU.

- Nedovoľte dúchadlo používať ako hračku. Mimoriadna opatnosť sa vyžaduje, ak sa používa v blízkosti detí.
- Ak dúchadlo správne nefunguje, spadlo, je poškodené, alebo spadlo do vody, vráťte ho do servisného strediska.
- Nevkladajte žiadne predmety do akýchkoľvek otvorov. Nepoužívajte so žiadnym zablokovaným otvorom; udržiavajte otvory bez prachu, chuchvalcov a vlasov, ktoré by mohli znížiť prúdenie vzduchu.
- Pri čistení schodov buďte mimoriadne opatrní.
- Nenechávajte dúchadlo bez dozoru, keď je zasunutá zástrčka akumulátora. Vyberte batériu, ak sa dúchadlo nepoužíva a pred vykonávaním údržby.
- Nesiahajte s mokrymi rukami na nabíjačku, vrátane zástrčky alebo konektorov nabíjačky.
- Nenabíjajte akumulátor vonku.

⚠ VAROVANIE:

- Pred likvidáciou musí byť akumulátor odstránený zo spotrebiča.

- Batérie likvidujte bezpečným spôsobom.

- **NEPOKÚŠAJTE** sa odstraňovať upchania v nástroji bez vybratia batérie.
- Udržujte dúchadlo a jeho rukoväte suché, čisté, bez oleja a maziva. Pri čistení vždy používajte čistú handru. Nikdy nepoužívajte brzdové kvapaliny, benzín, ropné produkty, ani silné rozpúšťadlá na čistenie ventilátora. Dodržiavanie tohto pravidla zníži riziko straty kontroly a zhoršenia stavu plastového krytu.
- Batérie môžu explodovať v prítomnosti zdroja vznietenia, ako je napríklad kontrolná žiarovka. Aby sa znížilo riziko vážneho zranenia, nikdy nepoužívajte akýkoľvek akumulátorový výrobok v prítomnosti otvoreného ohňa. Vybuchnutá batéria môže rozprsknúť nečistoty a chemikálie. V prípade zasiahnutia ihneď opláchnite vodou.
- Nikdy nespúšťajte nástroj bez pripojeného vhodného príslušenstva. Vždy sa uistite, že je nainštalovaný výdych dúchadla.

- **Nikdy nepoužívajte dúchadlo v blízkosti ohňa alebo horúceho popola.** Použitie v blízkosti ohňa alebo popola môže rozšíriť požiar a spôsobiť vážne zranenie a/alebo poškodenie majetku.
- **Nikdy nepoužívajte dúchadlo na rozprašovanie chemikálií, hnojív alebo iných toxických látok.** Rozprašovanie týchto látok môže vyvolať vážne zranenia obsluhy alebo okolostojacich.
- **Odložte si tieto pokyny Používajte ich často a používajte ich tiež na poučenie ostatných, ktorí môžu tento nástroj používať.** Ak požičiate tento nástroj niekomu inému, požičajte mu aj tieto pokyny, aby sa zabránilo zneužitiu výrobku a prípadným zraneniam.

ODLOŽTE SI TIETO POKYNY!

TECHNICKÉ ÚDAJE

Napätie	56 V
Maximálnu objem vzduchu	1020 m ³ /h
Maximálnu rýchlosť vzduchu	232 km/h
Maximálna sila fúkača	19 N
Odporúčaná prevádzková teplota	От -15 до 40 °C
Odporúčaná skladovacia teplota	От -20 до 70 °C
Približná prevádzková doba (s batériou EGO 56 V 5,0 Ah)	15 min (Zosilnený)
	22 min (Vysoká rýchlosť)
	120 min (Nízka rýchlosť)
Hmotnosť dúchadla (bez akumulátora, s trubicou)	5,7 kg
Hladina akustického výkonu L _{WA}	94,6 dB(A) K=0,8 dB(A)
Hladina akustického tlaku pri uchu obsluhy L _{PA}	82 dB(A) K=2,5 dB(A)
Garantovaná hladina akustického výkonu L _{WA} (meraná podľa 2000/14/EC)	95 dB(A)
Vibrácie a _n	0,522 m/s ² K=1,5 m/s ²

- Uvádzaná celková hodnota vibrácií bola meraná v súlade so štandardnou skúšobnou metódou a môže byť použitá na porovnanie jedného zariadenia s iným;
- Uvádzaná celková hodnota vibrácie sa môže použiť aj na predbežný odhad expozície.

POZNÁMKA: Emisia vibrácií pri skutočnom používaní náradia sa môže odlišovať od deklarovanej hodnoty, pri akej sa nástroj používa; Za účelom ochrany obsluhy má používateľ v skutočných podmienkach použitia nosiť rukavice a ochranu sluchu.

OBSAH BALENIA

NÁZOV DIELU	MNOŽSTVO
Dúchadlo	1
Výdych dúchadla	3
Návod na obsluhu	1

POPIS

ZOZNÁMTE SA S VAŠIM DÚCHADLOM (obr. A)

1. rukoväť
2. Tlačidlo na uvoľnenie batérie
3. Západka
4. Elektrické kontakty
5. Vysúvací mechanizmus
6. Prívod vzduchu
7. Predná trubica (Zakrivená plochá trubka)
8. Výstup vzduchu
9. Predná trubica (Valcová trubka)
10. Prostredná trubica
11. Ovládacia rukoväť
12. Nastaviteľné nosné popruhy
13. Skladovací gombík dúchadlovej trubice
14. Tlačidlo zosilnenia
15. Ovládač rýchlosť/poistka
16. Spúšť ovládania prúdenia vzduchu
17. Kridlová matica
18. Závesná štrbina trubice

VAROVANIE: Bezpečné používanie tohto výrobku vyžaduje pochopenie informácií o nástroji, pochopenie tohto návodu na obsluhu, ako aj znalostí o práci, ktorú sa pokúšate vykonávať. Pred použitím tohto výrobku sa oboznámte so všetkými prevádzkovými funkciami a bezpečnostnými pravidlami.

SK

MONTÁŽ

VAROVANIE: Ak akýkoľvek diel chýba, alebo je poškodený, nepoužívajte tento výrobok, kým nie sú vymenené diely. Ak používate tento výrobok s poškodenými alebo chýbajúcimi časťami, môže dôjsť k vážnemu zraneniu.

VAROVANIE: Nepokúšajte sa upravovať tento výrobok alebo vytvoriť príslušenstvo, ktoré nie je odporúčané na použitie s týmto dýchadlom. Každá takáto zmena alebo modifikácia sa považuje za zneužitie a môže spôsobiť nebezpečný stav, ktorý vedie k možnému vážnemu zraneniu.

VAROVANIE: Aby sa zabránilo náhodnému spusteniu, ktoré by mohlo viesť k vážnemu zraneniu, vždy vyberte akumulátor z nástroja pri montáži dielov.

MONTÁŽ TRUBÍC DÚCHADLA

1. K dispozícii sú tri trubice pre dýchadlo: dve predné trubice (valcová trubica a zakrivená plochá trubica) a prostredná trubica (obr. C).
2. Najprv pripevnite valcovú trubicu na prostrednú trubicu. Zarovnajtie niektorú z drážok na valcovej trubici s gombíkom na prostrednej trubici (obr. D).
3. Zatačte dopredu prostrednú trubicu, až pokým gombík nezapadne do niektorej z drážok. Potom otočte prostrednú trubicu v smere šípky, kým sa gombík nezasunie do uzamknutej polohy (obr. E).

Popis dielov na obr. C a D si pozrite nižšie:

C-1	Valcová trubka	D-1	Gombík
C-2	Zakrivená plochá trubka	D-2	Drážky pre rôzne uzamykacie polohy
C-3	Prostredná trubica		

POZNÁMKA: Pred uzamknutím prostrednej trubice na jej miesto počas otáčania si všimnete zabudovaný doraz, ktorý bude vytvárať určitý odpor. Pokračujte v otáčaní trubice za doraz, kým sa úplne nezasunie do uzamknutej polohy.

4. Môžete skrátiť alebo predĺžiť dĺžku trubice podľa potreby uzamknutím prostrednej trubice do rôznych uzamykacích polôh (obr. F).

Popis dielov na obr. F si pozrite nižšie:

F-1	Uzamknutá v prvej uzamykacej polohe
F-2	Uzamknutá v druhej uzamykacej polohe

5. Pripevnite zostavu trubica do krytu dýchadla rovnakým spôsobom (obr. G).

Postupujte rovnako pre namontovanie zakrivenej plochej trubice na dýchadlo.

6. Ak chcete odstrániť zostavu trubice z krytu dýchadla alebo oddeliť dve trubice, najskôr otočte trubicu do smeru odistenia pre uvoľnenie západky a vytiahnite trubicu rovno hore.

OBSLUHA

VAROVANIE: Nedovoľte, aby ste sa po zoznamení s týmto výrobkom stali neopatrnými. Zapamätajte si, že zlomok sekundy neopatrnosti postačuje na spôsobenie vážneho poranenia.

VAROVANIE: Nepoužívajte žiadne prídavné zariadenia alebo príslušenstvo, ktoré nie sú odporúčané výrobcom tohto výrobku. Používanie prídavných zariadení alebo príslušenstva, ktoré nie sú odporúčané, môže viesť k vážnemu zraneniu.

VAROVANIE: Vždy vyberte batériu z nástroja pri montáži dielov, vykonávaní úprav, čistení, alebo keď sa nepoužíva. Vybratie akumulátora zabráni náhodnému spusteniu, ktoré by mohlo viesť k vážnemu zraneniu.

Pred každým použitím skontrolujte, či na zariadení nie sú poškodené, chýbajúce alebo uvoľnené časti, napríklad skrutky, matice, závit, uzávery, atď.. Bezpečne utiahnite všetky upevňovacie prvky a uzávery a nepoužívajte tento výrobok, kým nebudú vymenené všetky chýbajúce alebo poškodené diely.

POZNÁMKA: Ak dôjde k núdzovej situácii, rozopnite priamo hrudníkovú pračku pre odopnutie fúkača.

POUŽITIE

Tento výrobok môžete použiť na nižšie uvedené účely:

- Čistenie tvrdých povrchov, ako sú príjazdové cesty a chodníky.
- Udržiavanie plôch a príjazdových ciest bez listov a ihličia.

POZNÁMKA: Nástroj sa musí používať len na predpísané účely. Každé iné použitie sa považuje za prípad zneužitia.

INŠTALÁCIA / VYBRATIE AKUMULÁTORA

Nabite pred prvým použitím.

Používajte iba s akumulátormi a nabíjačkami, ktoré sú uvedené na obr. A.

POZNÁMKA: Pre dosiahnutie najlepšieho výkonu odporúčame použiť batérie EGO 56V BA2800(5,0 Ah) alebo inej batérie EGO 56V s vyššou kapacitou.

Inštalácia (obr. H)

Zarovnajte výčnelky na batérii s montážnymi drážkami a zatlačte akumulátor nadol, kým nebudete počuť „cvaknutie“.

■ Vybratie (obr. I)

Stlačte tlačidlo pre uvoľnenie batérie a vytiahnite ju von.

VAROVANIE: Vždy majte na pamäti umiestnenie vašich nôh, polohu detí, či zvierat pri stlačení tlačidla pre uvoľnenie batérie. Mohlo by dôjsť k vážnemu zraneniu v prípade vypadnutia akumulátora. NIKDY nevyberajte akumulátor, ak sa nachádzate vo vysokej polohe.

UMIESTNENIE CHRBTOVÉHO DÚCHADLA

VAROVANIE: Oblečte sa vhodne pri práci s týmto náradím, aby sa znížilo riziko poranenia. Nenoste šperky alebo voľný odev. Používajte ochranu očí a sluchu. Oblečte si odolné, dlhé nohavice, vysoké topánky a rukavice. Nenoste krátke nohavice, sandále alebo nebuďte naboso.

Nastavenie nosných popruhov

1. Vložte ruky do nosných popruhov pre nosenie dúchadla na chrbte.
2. Dočasne upravte oba ramenné popruhy do pohodlnej polohy (obr. J). Uistite sa, že je váš lakť v pohodlnej polohe.
3. Zaklapnite hrudnú sponu a v prípade potreby (obr. K) nastavte jej dĺžku.
4. Zaklapnite driekovú pracku a nastavte dĺžku tak, aby batoh bol pevne podporovaný vašimi bokmi (obr. L a M).

POZNÁMKA: Batoh by nemal sedieť príliš vysoko na chrbte; mal by byť umiestnený bližšie k bokom než k ramenám.

5. Upravte ramenné popruhy pre bezpečnosť a pohodlie. Tým zaistíte, že batoh pevne sedí na chrbte, jeho hmotnosť je podporovaná driekovým pásom bez nadmerného pohybu pri pohybe (obr. N).
6. Zasuňte zvyšnú časť pásu do gumičiek na oboch stranách (obr. O).
7. Ak chcete odpojiť nástroj z chrbta, stačí stlačiť driekovú a hrudnú sponu pre ich uvoľnenie a zloženie nástroja (obr. P).

Nastavenie ovládacej rukoväte

1. Uvoľnite krídlovú maticu pre nastavenie rukoväte dopredu alebo dozadu podľa potreby (obr. Q a R) a potom dotiahnite krídlovú maticu pre zaistenie polohy rukoväte.

2. Môžete tiež otočiť rukoväť podľa potreby pre väčšie pohodlie (obr. S).
3. Ak chcete zväčšiť oblasť čistenia, posúvajte trubicu dolava alebo doprava (obr. T).

SPUSTENIE / ZASTAVENIE DÚCHADLA (obr. U)

Iba spúšť ovládania prúdenia vzduchu

- Stlačte spúšť ovládania prúdenia vzduchu pre zapnutie fúkača.
- Prúdenie vzduchu je riadené spúšťou s premenlivou rýchlosťou. Vyšší tlak na spúšť spôsobuje vyššiu rýchlosť fúkania; menší tlak na spúšť má za následok nižšiu rýchlosť fúkania. Nastavte rýchlosť tak, aby vyhovovala úlohe.
- Uvoľnite spúšť ovládania prúdenia vzduchu pre vypnutie fúkača.

Iba ovládač rýchlostí/poistka

Fúkač je možné zapnúť a zaistiť na ľubovoľnej rýchlosti pomocou ovládača rýchlostí/poistka.

- Otočte ovládač rýchlostí/poistka v smere hodinových ručičiek pre spustenie fúkača. Rýchlosť vzduchu sa zvýši, pretože otočný gombík sa otáča v smere hodinových ručičiek.
- Aj chcete znížiť rýchlosť vzduchu, otáčajte otočným gombíkom proti smeru hodinových ručičiek. Otáčajte ovládač rýchlostí/poistka proti smeru hodinových ručičiek do polohy vypnuté pre vypnutie fúkača.
- Otáčajte ovládač rýchlostí/poistka proti smeru hodinových ručičiek do polohy vypnuté pre vypnutie fúkača.

Poznámka: Fúkač sa nespustí pomocou ovládača rýchlostí/poistka, ak sa ovládač rýchlostí/poistka nevráti do vypnutej polohy pred jeho zapnutím. Toto je ochranná funkcia, ktorá zabráňuje náhodnému uvedeniu do prevádzky. Stlačenie prepínača rýchlosti vzduchu môže vypnúť ochranu.

Stlačte tlačidlo zvýšenia výkonu pre dočasné zvýšenie rýchlosti vzduchu na maximálnu úroveň. Fúkač bude pokračovať vo vpred nastavenej rýchlosti po uvoľnení tlačidla zvýšenia výkonu.

Popis dielov na obr. U si pozrite nižšie:

U-1	Ovládač rýchlostí/poistka	U-3	Spúšť ovládania prúdenia vzduchu
U-2	Tlačidlo zosilnenia		

SK

TIPY PRE POUŽÍVANIE DÚCHADLA

- Ak chcete zabrániť rozptyľovaniu nečistôt, fúkajte okolo vonkajšieho okraja hromady odpadu. Nikdy nefúkajte priamo do stredu hromady.
- Ak chcete znížiť hladinu hluku, obmedzte počet kusov zariadení používaných v jednom okamihu.
- Pred fúkaním použite hrable a metly na uvoľnenie nečistôt. V prašných podmienkach ľahko navhčíte povrch, ak je k dispozícii voda.
- Dávajte pozor na deti, domáce zvieratá, otvorené okná alebo čerstvo umyté auta a fúkajte odpad do bezpečnej vzdialenosti.
- Po použití dúchadiel alebo iných zariadení nezabudnite upratať! Zlikvidujte odpad správne.
- Neodporúča sa používať dúchadlo na vysokej rýchlosti dlhú dobu, pretože veľké vibrácie a hluk môžu byť škodlivé pre vaše zdravie.

ÚDRŽBA

VAROVANIE: Pri servise používajte iba identické náhradné diely. Použitie iných častí môže vyvolať nebezpečenstvo, alebo spôsobiť poškodenie výrobku. Pre zaistenie bezpečnosti a spoľahlivosti je nevyhnutné, aby všetky opravy vykonával len kvalifikovaný servisný technik.

VAROVANIE: Pri čistení alebo vykonávaní údržby vždy vyberte batériu z výrobku, aby nedošlo k vážnemu zraneniu.

CELKOVÁ ÚDRŽBA

Na čistenie plastových dielov nepoužívajte rozpúšťadlá. Väčšina plastov je náchylná na poškodenie z rôznych typov komerčných rozpúšťadiel a môžu sa poškodiť, ak sa použijú. Použite čisté handry na odstránenie nečistôt, prachu, oleja, maziva, atď.

VAROVANIE: Nikdy nedovoľte, aby brzdové kvapaliny, benzín, ropné výrobky, penetračné oleje atď., prišli do styku s plastovými časťami. Chemické látky môžu poškodiť, oslabiť alebo zničiť plast, čo môže viesť k vážnemu zraneniu.

USKLADNENIE

- Vyberte akumulátor z dúchadla.
- Odstráňte všetky nečistoty zo vzduchových prívodov dúchadla.
- Zarovnajete skladovací gombík dúchadlovej trubice so závesnou drážkou trubice a zaháknite trubicu dúchadla na kryt priestoru pre batérie (pozrite obr. V a W).

- Skladujte v uzavretom priestore, ktorý nie je prístupný deťom. Chráňte pred agresívnymi látkami, ako sú záhradné chemikálie a rozmrazovacie soli.

Popis dielov na obr. V si pozrite nižšie:

V-1	Skladovací gombík dúchadlovej trubice
V-2	Závesná štrbina trubice

Ochrana životného prostredia



Nevyhadzujte elektrické zariadenia, nabíjačku batérií a batérie / akumulátory do domového odpadu!

Podľa európskej smernice 2012/19/EU elektrické a elektronické zariadenia, ktoré už nie sú použiteľné a podľa európskej smernice 2006/66/EC chybné alebo použité akumulátory / batérie sa musia zhromažďovať oddelene a zlikvidovať ekologicky správnym spôsobom.

Ak sú elektrické spotrebiče likvidované na neorganizovaných skládkach alebo smetiskách, môžu nebezpečné látky unikať do podzemných vôd, dostať sa do potravinového reťazca a poškodzovať zdravie.

ODSTRAŇOVANIE PROBLÉMOV

PROBLÉM	PRÍČINA	RIEŠENIE
Dúchadlo nefunguje.	<ul style="list-style-type: none"> ■ Akumulátor nie je pripojený do dúchadla. ■ Žiadny elektrický kontakt medzi dúchadlom a batériou. ■ Akumulátor je vybitý. ■ Akumulátor alebo dúchadlo sú príliš horúce. ■ Ovládač rýchlostí/poistka nebol pred zapnutím fúkača vo vypnutej polohe. 	<ul style="list-style-type: none"> ■ Pripojte akumulátor do dúchadla. ■ Vyberte batériu, skontrolujte kontakty a nainštalujte akumulátor. ■ Nabite akumulátor. ■ Nechajte vychladnúť akumulátor alebo dúchadlo, kým teplota neklesne pod 67 °C. ■ Stlačte spúšť ovládania prúdenia vzduchu pre vypnutie ochrany a zapnite fúkač alebo najprv otočte ovládač rýchlostí/poistka do vypnutej polohy.
Rýchlosť prúdenia vzduchu sa významne znižuje.	<ul style="list-style-type: none"> ■ Nadmerné opotrebovanie motora dúchadla. ■ Prívod vzduchu je zablokovaný nečistotami. 	<ul style="list-style-type: none"> ■ Kontakt servisné stredisko EGO pre opravu. ■ Vyberte akumulátor a odstráňte nečistoty.
Dúchadlo sa vypne, ak pracuje so zvýšeným výkonom.	<ul style="list-style-type: none"> ■ Dúchadlo vytiahlo vysoký prúd z batérie a prešlo do režimu vlastnej ochrany. 	<ul style="list-style-type: none"> ■ Vypnite otočný prepínač a znovu spustíte dúchadlo, keď kontrolka batérie zhasne. Vyberte batériu a znovu ju pripojte pro reštart dúchadla.

SK

ZÁRUKA

ZÁRUČNÁ POLITIKA EGO

Navštívte webové stránky egopowerplus.com pre úplné podmienky záručnej politiky spoločnosti EGO.

OLVASSA EL AZ ÖSSZES UTASÍTÁST!



OLVASSA EL A HASZNÁLATI ÚTMUTATÓT

MEGJEGYZÉS: A használati útmutató alternatív formában, ill. a honlapon is elérhető.

⚠ Maradék kockázat! Az elektronikus készülékekkel, például pacemakerrel, élő emberek a termék használata előtt kérjék ki orvos véleményét. Az elektromos felszerelés a szív pacemakerhez közel való működtetése interferenciát vagy meghibásodást okozhat a pacemakerben.

⚠ FIGYELMEZTETÉS: A biztonságosság és megbízhatóság biztosítása érdekében minden javítást szakképzett szerviztechnikus hajtson végre.

BIZTONSÁGI SZIMBÓLUMOK

A biztonsági szimbólumok célja, hogy felhívják a figyelmet az esetleges veszélyekre. Nagyon figyeljen a biztonsági szimbólumokra és magyarázatokra, ill. ezek megértésére. A szimbólumok figyelmeztetései önmagukban nem hártják el a veszélyeket. Az utasítások és figyelmeztetések nem helyettesítik a megfelelő balesetmegelőző intézkedéseket.

HU

⚠ FIGYELMEZTETÉS: A szerszám használata előtt feltétlenül olvassa el a jelen használati útmutató minden biztonsági utasítását, a „VESZÉLY”, „FIGYELMEZTETÉS” és „FIGYELEM” biztonsági szimbólumokat is. Az alább felsorolt utasítások be nem tartása áramütést, tűzveszélyt és/vagy súlyos személyi sérülést idézhet elő.

SÉRÜLÉS MEGELŐZÉSE ÉS INFORMÁCIÓK

Ezek a használatot a fontos információkról és/vagy utasításokról értesítik, amelyek be nem tartása a felszerelés sérülését vagy más vagyoni kárt okozhat. Minden értesítés előtt a „MEGJEGYZÉS” szó áll, ahogy az alábbi példában is:

MEGJEGYZÉS: A felszerelés sérülése és/vagy vagyoni kár akkor léphet fel, ha nem tartják be ezeket az utasításokat.



⚠ FIGYELMEZTETÉS: Bármely elektromos kéziszerszám működtetése azzal járhat, hogy idegen tárgyak szembe kerülnek, amely súlyos szemsérüléseket okozhat. Az elektromos kéziszerszám működtetése előtt, mindig vegyen fel oldalsó védőlemezrel ellátott védőszemüveget és a teljes védőálcot, ha szükséges. Javasoljuk, hogy viseljen széles látóterű biztonsági maszkot (védőálcot) a védőszemüveg fölött vagy standard védőszemüveget oldalsó védőlemezrel.

BIZTONSÁGI UTASÍTÁSOK

Ezen az oldalon olyan biztonsági szimbólumok láthatók és olvashatók, amelyek megjelenhetnek a terméken. Az összeszerelés vagy működtetés előtt olvassa el, értse meg és tartsa be a gép minden utasítását.

	Biztonsági figyelmeztetés	Az Ön biztonságát érintő óvintézkedések.
	Viseljen szemvédőt	Mindig viseljen védőszemüveget vagy oldalsó védőlemezrel ellátott védőszemüveget és teljes védőálcot a termék működtetése közben.
	Viseljen fülvédőt	Mindig viseljen hallásvédőt a termék működtetése közben.
	Olvassa el a használati útmutatót	A sérülések kockázatának csökkentése érdekében a használatonak el kell olvasnia a használati útmutatót.
	Tartsa távol a nézelődőket	Minden nézelődő legalább 15 m távolságban legyen.
V	Volt	Feszültség
A	Ámper	Aktuális
Hz	Hertz	Frekvencia (ciklusok másodpercenként)
W	Watt	Teljesítmény
min	Perc	Idő
m ³ /h	Négyzetméter óránként	Levegő mennyiség

km/h	Kilométer óránként	Levegő sebesség
	Váltakozó áram	Áram típusa
	Egyenáram	Áram típusa vagy jellemzői
n_0	Üresjárat fordulatszám	Forgási sebesség üresjáraton
... /min	Percenként	Fordulat percenként

Elektromos készülékek használata közben mindig tartsa be az alapvető óvintézkedéseket, beleértve az alábbiakat:

AZ ELEKTROMOS SZERSZÁMOKRA VONATKOZÓ ÁLTALÁNOS BIZTONSÁGI FIGYELMEZTETÉSEK

▲ FIGYELMEZTETÉS: OLVASSA EL AZ ELEKTROMOS KÉZISZERSZÁMHOZ MELLÉKELT ÖSSZES BIZTONSÁGI FIGYELMEZTETÉST, UTASÍTÁST, ÁBRÁT ÉS SPECIFIKÁCIÓT. Az alább felsorolt utasítások be nem tartása áramütést, tűzveszélyt és/vagy súlyos sérülést idézhet elő.

ŐRIZZEN MEG MINDEN FIGYELMEZTETÉST ÉS UTASÍTÁST, HOGY KÉSŐBB IS ELŐ TUDJA MAJD VENNI.

Az „elektromos kéziszerszám” megnevezés a figyelmeztetésekből egyaránt vonatkozik a hálózati feszültségről meghajtott elektromos kéziszerszámokra (hálózati vezetékkel rendelkező elektromos kéziszerszámok), valamint az akkumulátorral működtetett elektromos kéziszerszámokra (hálózati vezeték nélküli elektromos kéziszerszámok).

MUNKATERÜLET BIZTONSÁG

- **A munkaterület legyen tiszta és jól megvilágított.** A munkahelyen uralkodó rendetlenségnek vagy a rossz megvilágításnak baleset lehet a következménye.
- **Ne használjon elektromos szerszámokat robbanási veszélynek kitett környezetben, például olyan helyen, ahol éghető folyadékok, gázok vagy porok találhatóak.** Az elektromos kéziszerszámok szikrákat képeznek, amelyek meggyújthatják a porokat vagy gázokat.
- **Az elektromos kéziszerszám üzemeltetése közben tartsa távol a gyermekeket és a nézelődőket.** Ha megzavarják, elveszítheti uralmát a készülék felett.

ELEKTROMOS BIZTONSÁG

- **Az elektromos kéziszerszám hálózati csatlakozódugójának illeszkednie kell az alkalmazott elektromos aljzathoz.** Soha és semmiképpen se módosítsa a csatlakozódugót. Ne használjon adapteres csatlakozódugókat az elektromos kéziszerszámokhoz. Az eredeti csatlakozódugó és megfelelő hálózati aljzat alkalmazásával megelőzi az áramütés veszélyét.
- **Kerülje el földelt felületek, mint pl. csövek, fűtőtestek, tűzhelyek vagy hűtőszekrények érintését.** Az áramütés kockázata nagyobb, ha a teste le van földelve.
- **Ne tegye ki az elektromos kéziszerszámot esőnek vagy nedves környezetnek.** Az elektromos kéziszerszámba bekerülő víz megnöveli az áramütés kockázatát.
- **Ne használja helytelen módon a hálózati vezetéket. Soha ne használja a vezetéket a töltő hordozására, húzására vagy lecsatlakoztatására.** Tartsa távol a vezetéket hőtől, olajtól, éles szegélyektől és mozgó alkatrészekről. A sérült vagy összegabalyodott hálózati kábelek megnövelik az áramütés veszélyét.
- **Ha az elektromos kéziszerszámot a szabadban használja, akkor erre a célra kialakított hosszabbító vezetéket alkalmazzon.** A szabadterén használható kábel alkalmazása csökkenti az áramütés kockázatát.
- **Ha elkerülhetetlen az elektromos kéziszerszám használata nedves helyen, használjon földelő áramköri megszakítóval ellátott tápellátást.** A GFCI használata csökkenti az áramütés veszélyét.

HU

SZEMÉLYI BIZTONSÁG

- **Legyen figyelmes, ügyeljen arra, amit csinál, és józan ésszel fogjon a munkához, ha elektromos kéziszerszámot használ.** Ne használjon elektromos kéziszerszámot, ha fáradt, kábítószert, alkoholt vagy gyógyszer befolyása alatt áll. Az elektromos kéziszerszám üzemeltetése közben egy pillanatnyi figyelmetlenség is súlyos személyi sérülést okozhat.
- **Használjon személyi védőfelszerelést. Mindig viseljen védőszemüveget.** A védőfelszerelések, mint például porvédő maszk, csúszásmentes lábbeli, sisak és hallásvédő, rendeltetészerű használata révén elkerüli a sérülési veszélyeket.

- **Akadályozza meg a véletlen indítást. Ügyeljen arra, hogy a kapcsoló kikapcsolt állásban legyen, mielőtt tápforrásra és/vagy akkumulátoregységre csatlakoztat, felveszi vagy viszi a szerszámot.** Balesetekhez vezethet, ha a hálózatra csatlakoztatott szerszámot úgy viszi, hogy közben az ujjja a bekapcsoló gombon van, vagy ha a hálózati csatlakozódugót olyankor dugja be az aljzatba, amikor be van kapcsolva a szerszám.
- **Vegye ki a szerszámkulcsot és a beállító szerszámot, mielőtt az elektromos kéziszerszámot bekapcsolná.** Az elektromos kéziszerszám mozgó alkatrészén felejtett csavar kulcs vagy szerszám személyi sérülést okozhat.
- **Ne hajoljon a gép fölé. Vegyen fel stabil testhelyzetet, és mindig tartsa meg az egyensúlyát.** Ezáltal jobban tudja irányítani az elektromos kéziszerszámot a legváratlanabb helyzetben is.
- **Viseljen megfelelő ruhát. Ne viseljen laza ruházatot vagy ékszereket. Tartsa távol haját, ruházatát és kesztyűjét a mozgó alkatrészekről.** A laza ruházatot, az ékszert vagy a hosszú haját becsíphetik a mozgó alkatrészek.
- **Ha az elektromos kéziszerszámot porfelszívó vagy porfelgőgő eszközzel szerelik fel, akkor győződjön meg arról, hogy ezek előírászerűen vannak-e csatlakoztatva, és használja őket a rendeltetésüknek megfelelően.** Porgyűjtő használata csökkentheti a porral járó veszélyeket.
- **Ne hagyja, hogy a rendszeres használat során megszerzett tapasztalat miatt túl magabiztossá váljon, és emiatt figyelmen kívül hagyja a biztonsági irányelveket.** Egy óvatlan cselekedet a másodperc töredéke alatt súlyos sérülést okozhat.

A KÉZI SZERSZÁMGÉP ÜZEMELTETÉSE ÉS GONDOZÁSA

- **Ne terhelje túl az elektromos kéziszerszámot.** A munkájához használja az arra alkalmas elektromos kéziszerszámot. A megfelelő elektromos kéziszerszámmal jobban és biztonságosabban dolgozhat a megadott teljesítményhatárokon belül.
- **Ne használja az elektromos kéziszerszámot, ha nem lehet a bekapcsoló segítségével be- vagy kikapcsolni.** Az olyan elektromos kéziszerszám, amely nem irányítható a kapcsolóval, veszélyes és javításra szorul.
- **Húzza ki a hálózati csatlakozó dugót az aljzattól, mielőtt beállításokat végezne, tartozékok cserélne vagy az elektromos kéziszerszámot félretenné.** Az

ilyen megelőző biztonsági óvintézkedések csökkentik az elektromos kéziszerszám véletlen beindításának kockázatát.

- **A használaton kívüli elektromos kéziszerszámokat gyermekektől távol tartsa, és ne engedje meg, hogy olyan személyek használják az elektromos kéziszerszámot, akik nem ismerik azt, vagy nincsenek tisztában ezekkel a biztonsági utasításokkal.** Az elektromos kéziszerszámok veszélyt jelentenek a gyakorlatlan felhasználó kezében.
- **Gondosan ápolja az elektromos kéziszerszámot.** Ellenőrizze a mozgó részek beállítását és rögzítését, vizsgáljon meg minden részt, nem sérült-e, és ellenőrizze, nem állnak-e fenn olyan körülmények, amelyek befolyásolhatják az elektromos kéziszerszámok helyes kezelését. Használat előtt javíttassa meg a sérült elektromos kéziszerszámot. A rosszul karbantartott elektromos kéziszerszámok sok balesetet okoznak.
- **A vágószerszámok legyenek mindig élesek és tiszták.** A megfelelően karbantartott és kielevezt vágószelekkel rendelkező vágószerszámok kevésbé hajlamosak az elgörbülésre, valamint könnyebben kezelhetők.
- **Az elektromos kéziszerszámot, tartozékokat, vágóféléteket, stb. mindig ezen biztonsági utasításoknak megfelelően használja, mindig vegye figyelembe a munkakörülményeket, és legyen tekintettel a megmunkálandó munkadarabra.** Az elektromos kéziszerszámoknak az előírt rendeltetési céltól eltérő célra való használata veszélyes.
- **Tartsa szárazon, tisztán, olajtól és zsírtól mentesen a fogantyúkat és a tartófelületeket.** A csúszós fogantyúk és fogófelületek miatt a szerszám kezelése és vezérése váratlan helyzetekben nem biztonságos.

AZ AKKUMULÁTORRAL MŰKÖDŐ SZERSZÁM ÜZEMELTETÉSE ÉS GONDOZÁSA

- **Csak a gyártó által meghatározott töltőt használja.** Az olyan töltő, amely egy típusú akkumulátoregységhez alkalmas, tűzveszélyt okozhat, ha más típusú akkumulátoregységhez használja.
- **Az elektromos kéziszerszámokat csak speciálisan meghatározott akkumulátoregységekkel használja.** Bármely más akkumulátoregység használata sérülés- vagy tűzveszélyt okozhat.
- **Amikor nem használja az akkumulátoregységet, tartsa távol más fémtárgyaktól, például gemkapocs, érmék, kulcsok, tűk, csavarok vagy más kis fémtárgyak, amelyek kapcsolatba léphetnek vele.** Amennyiben együtt tartja az akkumulátorokat, az égési sérülést vagy tüzet okozhat.

- Nem megfelelő körülmények között folyadék szivároghat az akkumulátorból; ne érjen ehhez. Amennyiben véletlenül hozzáérne, mossa le vízzel. Ha ez a folyadék szembe kerül, kiegészítőleg forduljon orvoshoz. Az akkumulátorból kiszivárgó folyadék irritációt vagy égést okozhat.
- Ne használjon sérült vagy módosított akkumulátoregységet vagy szerszámot. A sérült vagy módosított akkumulátorok előre nem látható módon viselkedhetnek, aminek eredménye tűz, robbanás vagy sérülésveszély lehet.
- Ne tegye ki az akkumulátoregységet tűznek vagy túlzott hőmérsékletnek. Ha tűznek, vagy 130 °C feletti hőmérsékletnek teszi ki, akkor felrobbanhat.
- Tartsa be a töltési utasításokat, és ne töltsa az akkumulátoregységet vagy a szerszámot az utasításokban meghatározott hőmérséklet-tartományon kívül. A nem megfelelő vagy a meghatározott hőmérséklet-tartományon kívüli töltés megrongálhatja az akkumulátort, és növeli a tűzveszélyt.

SZERVIZ

- Az elektromos kéziszerszám szervizelését szakképzett szerelő végezze, csak az eredetivel megegyező cserealkatrészek felhasználásával. Ezzel biztosítja az elektromos kéziszerszám biztonságának fenntartását.
- Soha ne szervizeljen sérült akkumulátoregységet. Az akkumulátoregységet csak a gyártó vagy felhatalmazott szerviz szolgáltató szervizelheti.

A KÉSZÜLÉK HASZNÁLATA ELŐTT OLVASSA EL AZ ÖSSZES UTASÍTÁST!

KÉPZÉS

- Soha ne engedélyezze a gép használatát olyan gyermekeknek, személyeknek akik csökkent fizikai, érzékszervi vagy szellemi képességekkel rendelkeznek, vagy nem rendelkeznek kellő belátással és tudással a készülékről.
- A szerszám működtetője a felelős azokért a balesetekért vagy veszélyekért, amelyek más embereket érintenek vagy mások vagyontárgyait érintik.

ELŐKÉSZÍTÉS

- Az elektromos kéziszerszám esőben vagy nedves körülmények között is használható. A munka befejezése után szárítsa meg az elektromos szerszámot.

- Használat előtt ellenőrizze, hogy az akkumulátor vagy az akkumulátoregység nem sérült-e. Ne használja ezt a készüléket, ha az akkumulátor vagy az akkumulátoregység sérült.

MŰKÖDTETÉS

- Az elektromos kéziszerszám esőben vagy nedves körülmények között is használható. A munka befejezése után szárítsa meg az elektromos szerszámot.
- Vegye ki az akkumulátort vagy akkumulátoregységet:
 1. Amikor otthagyja a gépet;
 2. Mielőtt megszüntetne egy eltömődést;
 3. Mielőtt ellenőrzi, tisztítja vagy bármilyen más munkát végez a készüléken;
 4. Ha a gép szokatlan módon elkezd rázkódní.
- Ha lejtős terepen dolgozik, mindig ügyeljen arra, hova lép.
- Sétáljon, soha ne fusson.
- Az összes hűtőlevegő-bemenet legyen mentes a szemétől.
- Javasoljuk, hogy a gépet csak elfogadható időben használja – ne kora reggel, késő este, amikor zavarhatja az embereket.
- Javasoljuk, hogy poros körülmények között nedvesítse meg a felületet, vagy használja a porlasztó tartozékot.

⚠ FIGYELMEZTETÉS: Forgó alkatrészek általi veszély!

- Használja a teljes lombfúvó szórófúvóka hosszabbítást, így a levegőáramot a talajhoz közel használhatja.
- Ne működtesse a gépet nyitott ablakok stb. közelében.

KARBANTARTÁS ÉS TÁROLÁS

- Az összes csavar, alátét és hasonló rész legyen jól meghúzva, hogy a gép biztonságos munkaállapotban legyen.
- Az elkopott vagy megsérült részeket cserélje ki.
- Csak eredeti pótalkatrészeket és tartozékokat használjon.
- Csak száraz helyen tárolja a készüléket.

⚠ FIGYELMEZTETÉS: A tűzveszély, áramütés vagy sérülés kockázatának csökkentése érdekében:

HU

FONTOS

HASZNÁLAT ELŐTT FIGYELMESEN OLVASSA EL.

ŐRIZZE MEG KÉSŐBBI HASZNÁLATRA.

- Ne engedje, hogy a lombfűvót játékként használják. Fokozottan figyeljen, ha gyerekek közelében használja a készüléket.
- Ha a lombfűvó nem megfelelően működik, leesett, megsérült vagy vízbe esett, akkor vigye be a szervizbe.
- Ne tegyen semmilyen tárgyat a nyílásokba. Ne használja, ha bármelyik nyílás blokkolva van; tartsa a nyílásokat portól, szősztől, hajtól és minden olyan tárgytól szabadon, amely csökkentheti a levegő áramlását.
- Legyen rendkívül óvatos, amikor lépcsőkön végez tisztítást.
- Ne hagyja a lombfűvót felügyelet nélkül, amikor az akkumulátor csatlakozódugasza be van dugva. Vegye ki az akkumulátort, amikor nem használja a lombfűvót, és szervizelés előtt.
- Ne nyúljon a töltőhöz, a töltő csatlakozódugójához vagy csatlakozásaihoz vizes kézzel.
- Ne töltsé az akkumulátort kültéren.

HU


⚠ FIGYELMEZTETÉS:

- Az akkumulátoregységet ki kell venni, mielőtt kicselejtezi a készüléket.
- Az akkumulátort biztonságosan kell ártalmatlanítani.
- **NE** próbálja meg kitisztítani az eltömődést az egységből, míg előtte ki nem vette az akkumulátort.
- **Tartsa szárazon, tisztán, olajtól és zsírtól mentesen a lombfűvót és a fogantyúját.** Mindig használjon tiszta ruhát a tisztításhoz. Soha ne használjon fékolajat, benzint, petróleum alapú termékeket, vagy más erős oldószereket a lombfűvó tisztításához. Ha betartja ezt a szabályt, akkor csökkenti annak veszélyét, hogy elveszítheti az uralmát a lombfűvó felett, és a védő műanyag sérülését.
- **Az akkumulátorok gyújtóforrás, például jelzőfény, jelenlétében felrobbanhatnak.** A súlyos személyi sérülések kockázatának csökkentése érdekében soha ne használja a vezeték nélküli terméket nyílt láng jelenlétében. A felrobbant akkumulátor törmelékekre és vegyszerekre bomlik. Ha fennáll a robbanás veszélye, azonnal öntse le a vízzel.
- **Soha ne üzemeltesse az egységet megfelelően felhelyezett felszerelés nélkül.** Mindig győződjön meg arról, hogy a lombfűvó cső fel van helyezve.

- **Soha ne használja a lombfűvót tűz vagy hamu közelében.** Amennyiben tűz vagy hamu közelében használja, akkor az súlyos sérülést és/vagy anyagi kárt okozhat.
- **Soha ne használja a lombfűvót vegyszerek, műtrágya vagy más mérgező anyagok permetezéséhez.** Ha ezt teszi, az a kezelő vagy a nézelődők súlyos sérülését okozhatja.
- **Őrizze meg ezt az utasítást.** Időnként olvassa át, és használja, amikor másokat a kéziszerszám használatára tanít be. Ha valakinek kölcsönadja a szerszámot, akkor adja át a használati utasítást is a helytelen használat és lehetséges sérülések elkerülése érdekében.

ŐRIZZE MEG EZEKET AZ UTASÍTÁSOKAT!

MŰSZAKI ADATOK

Feszültség	56 V 
Maximális levegő mennyiség	1020 m ³ /h
Maximális levegő sebesség	232 km/h
Maximális fújóerő	19 N
Javasolt működési hőmérséklet	От -15 до 40 °C
Javasolt tárolási hőmérséklet	От -20 до 70 °C
Körülbelüli működési idő (EGO 56 V, 5,0 Ah akkumulátorral)	15 perc (Növelés)
	22 perc (Nagy sebesség)
	120 perc (Kis sebesség)
Lombfűvó súlya (akkumulátoregység nélkül, csővel)	5,7 kg
Mért hangteljesítményszint L _{WA}	94,6 dB(A) K=0,8 dB(A)
Hangnyomásszint a kezelő fiújánál L _{PA}	82 dB(A) K=2,5 dB(A)
Mért hangteljesítményszint L _{WA} (a 2000/14/EK szerint)	95 dB(A)
Vibráció a _n	0,522 m/s ² K=1,5 m/s ²

- A névleges rezgési összérték mérése standard bevizsgálási módszerrel történt, és használatával a szerszámok egymással összehasonlíthatók.
- A névleges rezgési érték a kockázat előzetes felméréséhez is felhasználható.

MEGJEGYZÉS: A rezgés kibocsátás az elektromos szerszám aktuális használata közben elérhet attól a névleges értéktől, amellyel a szerszámot használják: a kezelő védelme érdekében a használónak kesztyűt és hallásvédőt kell használnia működtetés közben.

CSOMAGOLÁS TARTALMA

ALKATRÉSZ NEVE	MENNYISÉG
Lombfűvő	1
Lombfűvő cső	3
Használati útmutató	1

LEÍRÁS

ISMERJE MEG A LOMBFŰVŐT (A & B ábra)

1. Handle
2. Akkumulátor kioldógomb
3. Zár
4. Elektromos csatlakozások
5. Kioldó mechanizmus
6. Légbemeneti nyílás
7. Elülső cső (Ívelt lapos cső)
8. Légkimenet
9. Elülső cső (Hengeres cső)
10. Középső cső
11. Szabályozó fogantyú
12. Állítható tartó hám
13. Lombfűvő cső tároló gomb
14. Növelés gomb
15. Sebesség-/lezárás szabályozó
16. Légáram trigger
17. Szárnyas anya
18. Cső akasztó horony

FIGYELMEZTETÉS: A termék biztonságos használatához meg kell értenie a szerszámon és a használati útmutatóban lévő információkat, valamint ismernie kell azt a munkát, amelyet el akar végezni. A termék használata előtt ismerje meg a működési funkciókat és a biztonsági szabályokat.

ÖSSZESZERELÉS

FIGYELMEZTETÉS: Ha bármely alkatrész sérült vagy hiányzik, akkor ne működtesse a terméket, amíg az alkatrészeket ki nem cserélik. Sérült vagy hiányzó alkatrészekkel való használat súlyos személyes sérülést okozhat.

FIGYELMEZTETÉS: Ne próbálja megváltoztatni a terméket, és ne készítsen hozzá tartozékokat, amelyek nem javasoltak ehhez a lombfűvőhöz. Bármilyen módosítás vagy változtatás helytelen használatnak minősül, és veszélyes feltételeket teremthet, amely súlyos személyi sérüléssel végződhet.

FIGYELMEZTETÉS: A véletlenszerű indítás elkerülése érdekében, amely súlyos személyi sérülést okozhat, mindig vegye ki az akkumulátoregységet a szerszámból, amikor összeszereli az alkatrészeket.

A LOMBFŰVŐ CSÖVEK FELHELYEZÉSE

1. Három cső van a lombfűvőhöz: két elülső cső (hengeres cső és ívelt lapos cső) és egy középső cső (C ábra).
2. Először csatlakoztassa a hengeres csövet a középső csőhöz. Illessze a hengeres cső egyik hornyát a középső csövön lévő gombhoz (D ábra).
3. Tolja előre a középső csövet, amíg a gomb benne nincs a két horonyban. Majd forgassa a középső csövet a nyíl irányába, amíg a gomb be nem csúszik a rögzítő pozícióba (E ábra).

A C és D ábra alkatrészeinek leírását lásd lent:

C-1	Hengeres cső	D-1	Gomb
C-2	Ívelt lapos cső	D-2	Hornyok a különböző rögzítési pozíciókhoz
C-3	Középső cső		

HU

MEGJEGYZÉS: Mielőtt a középső cső forgás közben a helyére kattan, érezni fog egy beépített akadályt, amely némi ellenállást fejt ki. Folytassa a cső forgatását a akadályon túl is, amíg teljesen bele nem csúszik a rögzítő pozícióba.

4. A csövet kívánság szerint rövidítheti vagy hosszabbíthatja, ha a középső csövet különböző pozíciókban rögzíti (F ábra).

Az F ábra alkatrészeinek leírását lásd lent:

F-1	Az első pozícióban rögzítve
F-2	A második pozícióban rögzítve

5. A cső rögzítőt ugyanígy csatlakoztassa a burkolathoz (G ábra).

Kövesse ugyanezt sorrendet az ívelt lapos cső összeszereléséhez a lombfűvővel.

6. A cső rögzítő eltávolításához a burkolatról vagy a két cső szétválasztásához először fordítsa el a csövet a kioldás irányába a zár kioldásához, majd egyenesen húzza le a csövet.

MŰKÖDTETÉS

▲ FIGYELMEZTETÉS: Ne hagyja, hogy a termékkel szerzett jártassága miatt óvatlanná váljon. Emlékezzon arra, hogy a másodperc töredéke alatt történő óvatlanság súlyos sérülést okozhat.

▲ FIGYELMEZTETÉS: Ne használjon a gyártó által nem javasolt tartozékokat a termékhez. A nem javasolt tartozékok használata súlyos személyes sérülést okozhat.

▲ FIGYELMEZTETÉS: Mindig vegye ki az akkumulátoregységet a termékből, amikor összeszereli az alkatrészeket, beállításokat, tisztítást végez, vagy amikor nem használja. Ha kiveszi az akkumulátoregységet, akkor azzal megelőzi a véletlenszerű indítást, amely súlyos személyi sérüléseket okozhat.

Minden használat előtt ellenőrizze a teljes terméket sérülések, hiányzó vagy laza alkatrészek, pl. csavarok, anyák, alátétek, sapkák stb. szempontjából. Biztonságosan húzzon meg minden rögzítőt és sapkát, és ne működtesse a terméket, amíg a sérült vagy hiányzó alkatrészeket ki nem cserélték.

MEGJEGYZÉS: Ha vészhelyzetet észlel, akkor azonnal oldja ki a mellkas csatot, hogy letegye a lombfúvót.

ALKALMAZÁS

A terméket az alábbi célokra használhatja:

- Kemény felületek megtisztítása, pl. üttestek és járdák.
- A burkolatok és üttestek tisztán tartása levelektől és tülevelektől.

▲ MEGJEGYZÉS: A szerszámot csak az előírt célokra használja. Bármilyen más használat helytelen használatnak minősül.

AZ AKKUMULÁTOREGYSÉG BEHELYEZÉSE/ KIVÉTELE

Az első használat előtt teljesen töltése fel.

Csak az A.ábrán felsorolt akkumulátoregységeket és töltőket használja.

▲ MEGJEGYZÉS: A legjobb teljesítményhez javasoljuk, hogy használja az EGO 56 V BA2800 (5,0 Ah)akkumulátort, vagy más nagy kapacitású EGO 56V akkumulátort.

■ Csatlakoztatás (H ábra)

Illessze az akkumulátor vázát az akkumulátorban lévő szerelőnyíláshoz, és nyomja le az akkumulátoregységet, amíg kattantást nem hall.

■ Kivétel(I ábra)

Oldja ki az akkumulátor kioldógombot, és húzza ki az akkumulátoregységet.

▲ FIGYELMEZTETÉS: Mindig ügyeljen a lába alatti területre, gyermekekre vagy kis állatokra, amikor megnyomja az akkumulátor-kioldógombot. Súlyos sérülést okozhat, ha az akkumulátoregység kiesik. SOHA ne vegye ki az akkumulátoregységet magas helyen.

A HÁTRA VEHETŐ LOMBFÚVÓ POZÍCIONÁLÁSA

▲ FIGYELMEZTETÉS: Megfelelően öltözzön fel a sérülések kockázatának csökkentése érdekében, amikor a szerszámot működteti. Ne viseljen laza ruházatot vagy ékszereket. Viseljen védőszemüveget és fülvédőt; Viseljen erős, hosszú szárú nadrágot, cipőt és kesztyűt. Ne viseljen rövidnadrágot vagy szandált, és ne járjon mezítláb.

A tartó hám beállítása

1. Dugja a karjait a szíjakon keresztül, hogy a lombfúvót a hátra helyezze.
2. Átmenetileg állítsa be a vállszíjakat kényelmes helyzetbe (J ábra), közben a könyöke kényelmesen legyen.
3. A mellkas csatot kapcsolja be, és szükség esetén állítsa be a hosszúságot (K ábra).
4. Kapcsolja össze a derék csatot, és állítsa be a hosszúságot úgy, hogy a szerkezetet a csípője biztonságosan tartsa (L és M ábra).

MEGJEGYZÉS: A hátra vehető rész ne legyen túl magasan a hátán; legyen közelebb a csípőjéhez, mint a vállához.

5. Úgy állítsa be a vállszíjakat, hogy biztonságosak és kényelmesek legyenek. Gondoskodjon arról, hogy a hátra vehető rész biztonságosan legyen a hátán, a súlyt a szíjak megtartsák, és mozgás közben ne kelljen miattuk felesleges mozgást végezni (N ábra).
6. A felesleges szíjat tekerje a derekán a két oldalon lévő gumiszalagba (O ábra).
7. A hátra vehető rész levételéhez csak nyomja meg a csípő és mellkas csatokat a kioldáshoz, és tegye le a szerszámot (P ábra).

A szabályozó fogantyú beállítása

1. Oldja ki a szárnyas anyát a fogantyú előre vagy hátra való beállításához, ahogy szükséges (Q és R ábra), majd húzza meg a szárnyas anyát, hogy a fogantyút a pozícióban rögzítse.
2. El is fordíthatja a fogantyút, hogy kényelmes legyen (S ábra).

3. A tisztítandó felület megnöveléséhez, mozgassa a csövet balra vagy jobbra (T ábra).

A LOMBFÚVÓ INDÍTÁSA/LEÁLLÍTÁSA(U ábra)

Csak légáram trigger

- Nyomja meg a légáram triggert a lombfúvó bekapcsolásához.
- A lombfúvó levegő sebessége a sebességszabályozó triggerrel szabályozható. Ha jobban megnyomja a triggert, akkor nagyobb a fújási sebesség; ha kevésbé nyomja a triggert, akkor alacsonyabb a fújási sebesség. A feladathoz megfelelően állítsa be a sebességet.
- A lombfúvó kikapcsolásához engedje el a légáram triggert.

Csak sebesség-/lezárás szabályozó

A lombfúvó a sebesség-/lezárás szabályozóval kapcsolható be és rögzíthető.

- A lombfúvó elindításához fordítsa el a sebesség-/lezárás szabályozót az óramutató járásával megegyező irányba. A légáram erősödik, ha a szabályozót az óramutató járásával megegyező irányba fordítja.
- A levegő sebességének csökkentéséhez fordítsa a sebesség-/lezárás szabályozót az óramutató járásával ellenkező irányba. A lombfúvó leállításához fordítsa a sebesség-/lezárás szabályozót az óramutató járásával ellenkező irányba a ki állásig.
- A lombfúvó leállításához fordítsa a sebesség-/lezárás szabályozót az óramutató járásával ellenkező irányba a ki állásig.

Megjegyzés: Ha a sebesség-/lezárás szabályozót nem fordítja vissza a ki állásig, mielőtt bekapcsolja a lombfúvót, akkor a lombfúvó nem indul el a sebesség-/lezárás szabályozóval, ha a feltöltött akkumulátor be van helyezve. Ez egy védelmi funkció a véletlenszerű bekapcsolás megakadályozása érdekében. A légáram trigger megnyomása kikapcsolja a védelmet.

Működés közben nyomja meg a növelés gombot, hogy a levegő sebességét ideiglenesen a maximális szintre emelje. A lombfúvó visszaáll az előző sebességre, ha elengedi ezt a növelés gombot.

A U ábra alkatrészeinek leírását lásd lent:

U-1	Sebesség-/lezárás szabályozó	U-3	Légáram trigger
U-2	Növelés gomb		

TIPPEK A LOMBFÚVÓ HASZNÁLATÁHOZ

- Ahhoz, hogy a hulladék ne szóródjon szét, a hulladék halom külső szélein fújjon. Soha ne fújjon közvetlenül a halom középpontjába.
- A hangerősség csökkentése érdekében, korlátozott számú felszerelést használjon egyszerre.
- Lombfúvás előtt használja a gereblyét és seprőt a hulladék fellazításához. Poros körülmények között nedvesítse meg a felületet, ha van víz a közelben.
- Ügyeljen a gyermekekre, állatokra, nyitott ablakokra, vagy frissen lemosott autókra, és a hulladékot biztonságosan más irányba fújja.
- A lombfúvó vagy más felszerelés használata után tisztítsa meg! Megfelelően ártalmatlanítsa a hulladékot.
- Nem javasoljuk, hogy a lombfúvót hosszabb ideig nagy sebességgel használja, mivel a nagyfokú vibráció és zaj káros lehet az egészségre.

KARBANTARTÁS

⚠ FIGYELMEZTETÉS: Javitáskor használjon azonos pótalkatrészeket. Más alkatrészek használata veszélyt okozhat, vagy megrongálhatja a terméket. A biztonságosság és megbízhatóság biztosítása érdekében minden javítást szakképzett szerviztechnikus hajtson végre.

⚠ FIGYELMEZTETÉS: A súlyos személyi sérülések elkerülése érdekében mindig vegye ki az akkumulátoregységet a termékből tisztítás vagy karbantartás alatt.

ÁLTALÁNOS KARBANTARTÁS

A műanyag alkatrészek tisztításához ne használjon oldószereket. A legtöbb műanyag a vegyi oldószerek által deformálódás általi sérülésnek van kitéve, ezek megrongálhatják őket. Használjon tiszta ruhát a szennyeződés, por, olaj, zsír stb. eltávolításához.

⚠ FIGYELMEZTETÉS: Fékolaj, üzemenyag, petróleum alapú termékek, behatoló olajok stb. soha ne érintkezzenek a műanyag alkatrészekkel. A vegyszerek megrongálhatják, gyengíthetik vagy megsemmisíthetik a műanyagot, amely súlyos személyi sérülést okozhat.

TÁROLÁS

- Vegye ki az akkumulátoregységet a lombfűvőből.
- Tisztítson meg minden idegen anyagot a lombfűvő levegőbemeneteiből.
- Illessze a lombfűvő cső tároló gombot a cső akasztó horonyba, és akassza a lombfűvő csövet az akkumulátortartó burkolatára (V és W ábra).
- Gyermek számára nem elérhető, zárt helyen tárolja. Tartsa távol maró hatású szerektől, például kerti vegyszerektől, és jégmentesítő sótól.

A V ábra alkatrészeinek leírását lásd lent:

V-1	Lombfűvő cső tároló gomb
V-2	Cső akasztó horony

A környezet védelme



Ne dobja az elektromos felszerelést, az akkumulátor töltőt és az akkumulátorokat/újratölthető akkumulátorokat a háztartási hulladékok közé!

Az elektromos és elektronikus berendezések hulladékairól szóló 2012/19/EU európai törvény, amely már nincs érvényben, és az 2006/66/EK európai törvény értelmében a sérült vagy elhasznált akkumulátoregységeket/akkumulátorokat környezetbarát módon külön kell gyűjteni és ártalmatlanítani.

Ha az elektromos berendezéseket talajfeltöltési vagy árokbetömési célokra használják, olyan veszélyes anyagok kerülhetnek belőlük a talajvízbe, majd onnan a táplálkozási láncba, amelyek veszélyeztetik az egészséget.

HIBAELHÁRÍTÁS

PROBLÉMA	A PROBLÉMA OKA	MEGOLDÁS
A lombfűvő nem működik.	<ul style="list-style-type: none"> ■ Az akkumulátoregység nincs csatlakoztatva a lombfűvőbe. ■ Nincs elektromos kapcsolat a lombfűvő és az akkumulátor között. ■ Az akkumulátoregység lemerült. ■ Az akkumulátoregység vagy a lombfűvő túl forró. ■ A sebesség-/lezárás szabályozót nem fordította vissza ki állásba a lombfűvő bekapcsolása előtt. 	<ul style="list-style-type: none"> ■ Csatlakoztassa az akkumulátoregységet a lombfűvőhöz. ■ Vegye ki az akkumulátoregységet, ellenőrizze a csatlakozást, és helyezze vissza az akkumulátoregységet. ■ Töltse fel az akkumulátoregységet. ■ Hűtse le az akkumulátoregységet és a lombfűvőt 67 °C alatti hőmérsékletre. ■ Nyomja meg a sebesség-/lezárás szabályozót a védelem kikapcsolásához, és indítsa el a lombfűvőt, vagy először fordítsa el a sebesség-/lezárás szabályozót ki állásba.
A levegő sebesség jelentősen csökken.	<ul style="list-style-type: none"> ■ A motor ventilátor túlzott kopása. ■ A levegőbemenetet hulladék tömíti el. 	<ul style="list-style-type: none"> ■ Forduljon az EGO szervizközponthoz a javításhoz. ■ Vegye ki az akkumulátoregységet, távolítsa el a hulladékot.
A légfűvő felgyorsított sebességnél leáll.	<ul style="list-style-type: none"> ■ A légfűvő nagyfeszültségű áramot vett fel az akkumulátorból, és önvédelmi módba lép. 	<ul style="list-style-type: none"> ■ Miután a jelzőfény kialudt, a tárcsa segítségével kapcsolja ki, majd indítsa újra a légfűvőt. <p>A légfűvő bekapcsolásához vegye ki az akkumulátort, majd tegye vissza.</p>

HU

GARANCIA

EGO GARANCIÁLIS FELTÉTELEK

Kérjük, látogasson el az egopowerplus.com oldalra, ahol megtalálja a részletes EGO garanciális feltételeket.

CITIȚI TOATE INSTRUCȚIUNILE!



CITIȚI MANUALUL DE INSTRUCȚIUNI

OBSERVAȚIE: Aceste instrucțiuni sunt disponibile și în format alternativ, de exemplu pe un website.

⚠ Riscuri reziduale! Persoanele cu dispozitive electronice precum stimuloatoare cardiace ar trebui să-și consulte medicul (medicii) înainte de a utiliza acest produs. Utilizarea unui echipament electric în imediata apropiere a unui stimulator cardiac poate cauza interferențe sau pana stimulatorului.

⚠ AVERTISMENT: Pentru siguranța și fiabilitatea produsului, toate reparațiile ar trebui efectuate de către un tehnician de service autorizat.

SIMBOLURI PRIVIND SIGURANȚA

Scopul simbolurilor privind siguranța este să vă atragă atenția asupra pericolelor posibile. Simbolurile privind siguranța și explicațiile furnizate cu acestea merită atenția și înțelegerea dumneavoastră. Simbolurile de avertizare, ele singure, nu elimină niciun pericol. Instrucțiunile și avertismentele pe care le oferă nu pot înlocui măsurile corecte de prevenire a accidentelor.

AVERTISMENT: Asigurați-vă că ați citit și înțelegiți toate instrucțiunile privind siguranța din acest Manual de utilizare, inclusiv toate simbolurile de alertă privind siguranța precum "PERICOL," "AVERTISMENT," și "ATENȚIE" înainte de a utiliza această sculă. Nerespectarea tuturor avertismentelor și instrucțiunilor poate duce la electrocutare, incendiu și/sau răni grave.

PREVENIREA AVARIILOR ȘI MESAJELE INFORMATIVE

Acestea informează utilizatorul asupra informațiilor importante și/sau instrucțiunilor care ar putea duce la avarierea echipamentului ori la alte pagube dacă nu sunt respectate. Fiecare mesaj este precedat de cuvântul "OBSERVAȚIE", precum în exemplul de mai jos:

OBSERVAȚIE: Echipament și/sau pagube materiale pot rezulta dacă aceste instrucțiuni nu sunt respectate.



⚠ AVERTISMENT: Operarea oricăror scule electrice poate rezulta în proiectarea înspre ochii dumneavoastră a unor obiecte străine, ceea ce poate duce la vătămări grave ale ochilor. Înainte de a începe să utilizați scula electrică, întotdeauna purtați ochelari de protecție cu apărători laterale și vizieră facială completă când este nevoie. Vă recomandăm să purtați o Vizieră lată de protecție peste ochelarii de vedere sau ochelari de protecție standard cu apărători laterale.

INSTRUCȚIUNI PRIVIND SIGURANȚA

Această pagină descrie simbolurile de siguranță ce pot apărea pe acest produs. Citiți, înțelegeți, și respectați toate instrucțiunile de pe mașină înainte de asamblare și operare.

	Alertă privind siguranța	Precauții care implică siguranța dumneavoastră.
	Purtați echipament de protecție oculară	Purtați întotdeauna ochelari de protecție sau ochelari de protecție cu apărători laterale și o vizieră facială completă când utilizați acest produs.
	Purtați echipament de protecție auditivă	Purtați întotdeauna echipament de protecție auditivă când utilizați această sculă.
	Citiți manualul de instrucțiuni	Pentru a reduce riscul de accidentări, utilizatorul trebuie să citească manualul de instrucțiuni.
	Țineți trecătorii la distanță	Țineți toți trecătorii la o distanță de cel puțin 15 m.
V	Volt	Voltaj
A	Amperi	Rezistență
Hz	Hertz	Frecvență (cicluri pe secundă)
W	Watt	Putere
min	Minute	Durată
m ³ /h	Metru cub pe oră	Volum de aer
km/h	Kilometri pe oră	Viteză aer

RO

	Curent alternativ	Tip de curent
	Curent continuu	Tip sau o caracteristică a curentului
n_0	Turație de mers în gol	Turație de mers în gol
... /min	Pe minut	Revoluții pe minut

La utilizarea aparatelor electrice, se vor respecta întotdeauna instrucțiunile baze de siguranță, inclusiv următoarele:

INSTRUCȚIUNI GENERALE DE SIGURANȚĂ PENTRU SCULE ELECTRICE

⚠️ AVERTISMENT: CITIȚI TOATE INSTRUCȚIUNILE, AVERTIZĂRILE DE SIGURANȚĂ, ILUSTRĂȚIILE ȘI SPECIFICAȚIILE LIVRATE ÎMPREUNĂ CU ACEASTĂ SCULĂ ELECTRICĂ.

Nerespectarea tuturor instrucțiunilor enumerate mai jos se poate solda cu șoc electric, incendiu și/sau vătămare corporală gravă.

PĂSTRAȚI TOATE AVERTIZĂRILE ȘI INSTRUCȚIUNILE PENTRU CONSULTARE ULTERIOARĂ.

Termenul „sculă electrică” din avertizări se referă la scula electrică (cu cablu) alimentată de la rețeaua electrică sau scula electrică (fără cablu de alimentare) care funcționează cu acumulator.

SIGURANȚA ZONEI DE LUCRU

- **Păstrați zona de lucru curată și bine iluminată.** Zonele dezordonate și întunecoase predispun la accidente.
- **Nu puneți în funcțiune sculele electrice în atmosfere explozive, cum ar fi în prezența lichidelor, gazelor sau prafurilor inflamabile.** Sculele electrice creează scântei, care pot aprinde praful sau gazele.
- **Țineți copiii și persoanele prezente la distanță atunci când operați o sculă electrică.** Distragerea atenției vă poate face să pierdeți controlul.

SIGURANȚA ELECTRICĂ

- **Ștecherul sculei electrice trebuie să corespundă cu priza de rețea electrică. Nu modificați niciodată ștecherul. Nu utilizați un adaptor de priză cu scule electrice împământate.** Ștecherile nemodificate și prizele adecvate vor reduce riscul de electrocutare.
- **Evitați contactul corpului cu suprafețele legate la împământare, cum sunt țevile, caloriferele,**

mașinile de gătit și frigiderere. Acest lucru reprezintă un risc sporit de electrocutare în cazul care corpul dumneavoastră este împământat.

- **Nu expuneți încărcătorul la ploaie sau condiții de umezeală.** Pătrunderea apei în încărcător va crește riscul de electrocutare.
- **Nu folosiți în mod abuziv cablul de alimentare. Nu utilizați niciodată cablul de alimentare pentru transportul, tragerea sau scoaterea din priză a încărcătorului. Țineți cablul de alimentare departe de căldură, ulei, margini tăioase sau piese în mișcare.** Cablurile electrice deteriorate sau încălcite cresc riscul de electrocutare.
- **Când utilizați o sculă electrică în aer liber utilizați un cablu prelungitor adecvat pentru utilizarea în aer liber.** Utilizarea unui cablu adecvat pentru aer liber reduce riscul de electrocutare.
- **Dacă utilizarea unei scule electrice într-o zonă umedă este inevitabilă, utilizați o sursă de alimentare protejată cu un întrerupător de protecție la defecțiune circuit de împământare.** Utilizarea unui astfel de întrerupător reduce riscul de electrocutare.

SIGURANȚA PERSONALĂ

- **Păstrați-vă vigilența, urmăriți ceea ce faceți și apelați la bunul simț când utilizați o sculă electrică. Nu utilizați o sculă electrică când sunteți obosit, sau sub influența medicamentelor, a alcoolului sau a medicației.** Un moment de neatenție în timp ce utilizați sculele electrice se poate solda cu vătămări grave.
- **Utilizați echipamente de protecție personală. Purtați întotdeauna protecție oculară.** Echipamentele de protecție, cum ar fi masca de praf, bocancii de protecție antiderapanți, casca sau antifoanele utilizate în condiții corespunzătoare, vor reduce vătămrile corporale.
- **Preveniți pornirea accidentală. Asigurați-vă că întrerupătorul este în poziția oprit înainte de a conecta la o sursă de alimentare și/sau set de acumulatori, înainte de a ridica sau transporta scula.** Transportul sculelor electrice cu degetul pe întrerupător sau cu alimentarea cu energie electrică pornită, predis pune la accidente.
- **Îndepărtați orice cheie de reglare înainte de a porni scula electrică.** O cheie lăsată într-o piesă rotativă a sculei electrice poate duce la accidente.
- **Nu vă întindeți excesiv. Păstrați-vă întotdeauna o poziție stabilă a picioarelor și echilibrul.** Astfel veți avea un mai bun control asupra sculei electrice în situații neașteptate.

RO

- **Îmbrăcați-vă corespunzător.** Nu purtați haine largi sau bijuterii. Păstrați-vă părul, îmbrăcămintea și mănușile departe de componentele în mișcare. Îmbrăcămintea largă, bijuteriile sau părul lung pot fi prinse de piesele în mișcare.
- Dacă sunt furnizate dispozitive pentru conectarea sistemelor de extragere și colectare a prafului, asigurați-vă că acestea sunt conectate și utilizate corespunzător. Utilizarea dispozitivelor colectoare de praf poate reduce pericolele legate de praf.
- Nu permiteți ca familiaritatea dobândită în urma utilizării frecvente a sculelor să vă facă să neglijați sau să nesocotiți principiile de siguranță ale sculei. Un gest neglijent poate cauza răni grave într-o fracțiune de secundă.

UTILIZAREA ȘI ÎNGRIJIREA SCULELOR ELECTRICE

- **Nu forțați scula electrică. Utilizați scula electrică corespunzătoare pentru aplicația dumneavoastră.** Scula electrică corectă va face o treabă mai bună și mai sigură utilizată conform specificațiilor pentru care a fost concepută.
- **Nu utilizați scula electrică dacă întrerupătorul nu comută pe pozițiile pornit și oprit.** Orice sculă electrică ce nu poate fi controlată cu întrerupătorul este periculoasă și trebuie reparată.
- **Deconectați ștecherul de la sursa de alimentare și/sau setul de acumulatori de scula electrică înainte de efectuarea oricărui reglaje, schimbări de accesorii sau înainte de depozitarea sculelor electrice.** Astfel de măsuri preventive de siguranță reduc riscul de pornire accidentală a sculei electrice.
- **Depozitați sculele electrice într-un loc inaccesibil copiilor și nu permiteți utilizarea sculei electrice de persoane nefamiliarizate cu aceasta sau cu aceste instrucțiuni.** Sculele electrice sunt periculoase în mâna utilizatorilor neinstruiți.
- **Întrețineți sculele electrice. Verificați dacă există abateri de la coaxialitate sau indoiri ale pieselor în mișcare, avarii ale pieselor și orice altă situație care poate afecta funcționarea sculelor electrice.** În caz de deteriorare, reparați scula electrică înainte de utilizare. Multe accidente sunt cauzate de sculele electrice prost întreținute.
- **Mențineți sculele de tăiere ascuțite și curate.** Elementele de tăiere întreținute corespunzător și cu muchii de tăiere ascuțite sunt mai puțin probabil să se îndoiaie și sunt mai ușor de controlat;

- **Utilizați scula electrică, accesoriile și cuțitele demontabile etc. în conformitate cu aceste instrucțiuni, ținând cont de condițiile de lucru și lucrarea de efectuat.** Utilizarea sculei electrice pentru operații diferite de cele intenționate s-ar putea solda cu o situație periculoasă.
- **Mențineți mânerul și suprafețele de apucat uscate, curate și fără ulei și vaselină.** Mănerul și suprafețele de apucare alunecoase nu permit manevrarea în siguranță și controlul asupra sculei în situații neașteptate.

UTILIZAREA ȘI ÎNGRIJIREA ACUMULATORULUI

- **Reîncărcați numai cu încărcătorul specificat de producător.** Un încărcător adecvat pentru un tip de set de acumulatori poate prezenta risc de incendiu dacă e utilizat cu alt set de acumulatori.
- **Utilizați sculele electrice doar cu seturile de acumulatori special menționate.** Utilizarea oricărui alt set de acumulatori prezintă risc de accidente și incendiu.
- **Când nu se utilizează setul de acumulatori, țineți-l departe de alte obiecte metalice precum clamele de hârtie, monedele, cheile, cuiele, șuruburile sau alte obiecte metalice mici care pot realiza o conexiune între borne.** Scurtcircuitarea bornelor bateriei poate produce arsuri sau un incendiu.
- **În condiții abuzive se poate scurge lichid din acumulator; evitați contactul.** Dacă are loc contact accidental, clătiți cu apă. Dacă lichidul intră în contact cu ochii, efectuați suplimentar un consult medical. Lichidul scurs din acumulator poate produce iritații sau arsuri.
- **Nu utilizați un set de acumulatori sau o sculă avariată sau modificată.** Acumulatorii deteriorați sau modificați pot prezenta comportament imprevizibil, care poate duce la incendiu, explozie sau risc de vătămare.
- **Nu expuneți setul de acumulatori la foc sau la temperaturi excesive.** Expunerea la foc sau la temperaturi de peste 130°C poate provoca explozie.
- **Respectați instrucțiunile de încărcare și nu încărcați setul de acumulatori sau scula în afara intervalului de temperatură specificat în instrucțiuni.** Încărcarea necorespunzătoare sau la temperaturi în afara domeniului specificat poate duce la deteriorarea acumulatorului și la creșterea riscului de incendiu.

DEPANARE

- **Apelați numai la o persoană calificată pentru a vă repara scula electrică utilizând numai piese de schimb identice.** Astfel se asigură menținerea nivelului de siguranță al sculei electrice.

- Nu efectuați niciodată operații de service asupra seturilor de acumulatori avariați. Depanarea acumulatorilor trebuie să fie efectuată numai de producător sau de prestatorii autorizați de servicii.

DE UTILIZAREA ACESTUI PRODUS!

INSTRUIRE

- Nu permiteți copiilor, persoanelor cu capacități fizice, senzoriale sau mentale reduse ori lipsite de experiență și cunoștințe sau persoanelor nefamiliarizate cu aceste instrucțiuni să utilizeze mașina.
- Operatorul sau utilizatorul este responsabil de accidentele sau pericolele care se întâmplă altor persoane sau bunurilor acestora.

PREGĂTIREA

- Nu expuneți scula electrică la ploaie sau condiții de umiditate. Uscați scula electrică după terminarea lucrării.
- Înaintea utilizării, verificați acumulatorii sau seturile de acumulatori pentru depistarea avariilor. Nu utilizați aparatul dacă acumulatorii sau seturile de acumulatori sunt avariate.

FUNCȚIONAREA

- Scula electrică poate fi utilizată în ploaie sau în condiții de umiditate. Uscați scula electrică după terminarea lucrării.
- Deconectați acumulatorii sau seturile de acumulatori
 1. Ori de câte ori plecați de lângă mașină;
 2. Înainte de eliminarea unui blocaj;
 3. Înainte de verificarea, curățarea sau orice intervenție adusă aparatului;
 4. Dacă aparatul începe să vibreze anormal.
- Mențineți întotdeauna o poziție stabilă pe pante.
- Mergeți, nu alergați niciodată.
- Păstrați toate prizele de răcire cu aer neobstrucționate de resturi.
- Vă recomandăm să utilizați mașina numai la ore rezonabile - nici dimineața devreme sau seara târziu când ar putea deranja persoanele.
- Vă recomandăm să umeziți ușor suprafețele în condiții de praf sau să utilizați accesoriul de pulverizare.

⚠ AVERTISMENT: Pericol, părți rotative!

- Utilizați extensia completă a duzei sufletei astfel încât curentul de aer să ajungă aproape de sol.
- Nu utilizați mașina în apropierea ferestrelor deschise, etc.

ÎNȚREȚINEREA ȘI DEPOZITAREA

- Mențineți strânse toate piulițele și șuruburile, pentru a fi siguri că aparatul este în stare bună de funcționare.
- Înlocuiți piesele uzate sau defecte.
- Utilizați numai piese de schimb și accesorii originale.
- Depozitați aparatul numai într-un loc uscat.

⚠ AVERTISMENT: Pentru a evita riscul de incendiu, șoc electric sau rănire:

IMPORTANT

CITIȚI CU ATENȚIE ÎNAINTE DE UTILIZARE.

PĂSTRAȚI PENTRU CONSULTARE ULTERIOARĂ.

- Nu permiteți copiilor să utilizeze suflanta ca și jucărie. Se recomandă atenție sporită când aparatul este utilizat de către sau în vecinătatea copiilor.
- Dacă suflanta nu funcționează cum ar trebui, a fost scăpată pe jos, avariată sau scăpată în apă, predați-o unui centru de service.
- Nu introduceți niciun obiect în fante. Nu utilizați aparatul dacă vreuna dintre fante este blocată; păstrați fantele curate, fără praf, scame, păr și orice altceva care ar putea reduce fluxul de aer.
- Fiți extrem de atent(ă) când curățați pe scări.
- Nu lăsați suflanta nesupravegheată când Priza acumulatorului este conectată. Îndepărtați acumulatorul când suflanta nu este utilizată și înainte de efectuarea operațiilor de service.
- Nu manevrați încărcătorul, inclusiv ștecherul acestuia sau terminalele încărcătorului dacă aveți mâinile ude.
- Încărcați setul de acumulatori în aer liber.

⚠ AVERTISMENT:


- Setul de acumulatori trebuie scos din aparat înainte de eliminarea acestuia.
- Acumulatorul trebuie eliminat într-un mod nepericulos.

- **NU** încercați să îndepărtați blocajele din aparat fără să detașați mai întâi acumulatorul.
- **Mențineți suflanta și mânerul său uscat, curat și fără ulei sau unsoare.** Utilizați întotdeauna o cârpă curată la curățare. Nu utilizați lichid de frână, benzină, produse pe bază de petrol sau orice alți solvenți puternici pentru a vă curăța suflanta. Respectarea acestei reguli va reduce riscul de pierdere a controlului și de deteriorare a carcasei din plastic.
- **Acumulatorii pot exploda în prezența unei surse de aprindere precum o lampă indicatoare.** Pentru a reduce riscul de accidentare personală gravă, nu utilizați niciodată un produs fără fir în prezența unei fiicări deschise. Un acumulator care explodează poate proiecta resturi și chimicale. În caz de expunere, clătiți imediat cu apă.
- **Nu puneți niciodată aparatul în funcțiune fără echipamentul corect atașat.** Întotdeauna asigurați-vă că tubul suflantei este instalat.
- **Nu utilizați niciodată suflanta în apropierea focului sau a cenușii fierbinți.** Utilizarea în apropierea focurilor sau cenușii poate propaga focurile și rezulta în vătămări grave și/sau pagube materiale.
- **Nu utilizați niciodată suflanta pentru împrăștierea chimicalelor, fertilizatorilor sau a altor substanțe toxice.** Împrăștierea acestor substanțe poate cauza rănirea gravă a utilizatorului și a trecătorilor.
- **Păstrați aceste instrucțiuni.** Consultați-le frecvent și utilizați-le pentru a instrui alte persoane care ar putea utiliza această sculă electrică. Dacă împrumutați cuiva această sculă, împrumutați-i și aceste instrucțiuni pentru a preveni utilizarea inadecvată a produsului și posibile răni.

RO

PĂSTRAȚI ACESTE INSTRUCȚIUNI!

SPECIFICAȚII

Voltaj	56 V 
Volum maximă de aer	1020 m ³ /h
Viteză maximă aer	232 km/h
Forță maximă suflantă	19 N
Temperatură de funcționare recomandată	-15°C-40°C
Temperatură de depozitare recomandată	-20°C-70°C

Durată aproximativă de funcționare (cu acumulator EGO 56V 5,0 Ah)	15 min (Amplificare)
	22 min (Viteză mare)
	120 min (Viteză mică)
Greutate suflantă (fără set de acumulatori, cu tub)	5,7 kg
Nivel de putere sonoră măsurată L _{VIA}	94,6 dB(A) K=0,8 dB(A)
Nivel de presiune sonoră la urechea operatorului L _{PA}	82 dB(A) K=2,5 dB(A)
Nivel de putere sonoră garantată L _{VIA} (conform 2000/14/CE)	95 dB(A)
Vibrații a _h	0,522 m/s ² K=1,5 m/s ²

- Valoarea totală declarată a vibrațiilor a fost măsurată în conformitate cu o metodă standard de testare și poate fi utilizată pentru compararea sculelor între ele;
- Valoarea totală declarată poate fi utilizată în evaluarea preliminară a expunerii.

OBSERVAȚIE: Vibrațiile emise în timpul utilizării efective a sculei electrice pot diferi față de valoarea celor declarate pentru scula utilizată; Pentru protejerea operatorului, utilizatorul trebuie să poarte mănuși și protecții auditive în timpul utilizării efective a produsului.

CONȚINUTUL AMBALAJULUI

DENUMIRE PIESĂ	CANTITATE
Suflantă	1
Tub suflantă	3
Manual de instrucțiuni	1

DESCRIERE

DESCRIEREA SUFLANTEI (Fig. A & B)

1. Mâner
2. Buton de detașare acumulator
3. Încuietoare
4. Contacte electrice
5. Mecanism de ejectare
6. Admisie aer
7. Tub frontal (Tub plat curbat)

8. Evacuare aer
9. Tub frontal (Tub cilindric)
10. Tub mijlociu
11. Mâner de control
12. Ham ajustabil de suport
13. Buton de stocare tuburi suflantă
14. Buton amplificare
15. Selector de viteză cu blocare
16. Trăgaci viteză aer
17. Piuliță fluture
18. Canelură de suspendare tub

⚠️ AVERTISMENT: Pentru a utiliza în siguranță acest produs este nevoie să înțelegeți informațiile de pe sculă și din acest manual de instrucțiuni precum și să dobândiți cunoștințe suficiente asupra lucrării pe care doriți să o executați. Înainte de a utiliza aparatul, familiarizați-vă cu toate caracteristicile de utilizare și cerințele privind siguranța.

ASAMBLAREA

⚠️ AVERTISMENT: În caz de piese avariate sau care lipsesc, nu utilizați acest produs dacă piesele nu sunt înlocuite. Utilizarea acestui produs cu piese avariate sau lipsă poate rezulta în vătămări personale grave.

⚠️ AVERTISMENT: Nu încercați să modificați acest produs sau să creați accesorii nerecomandate pentru această suflantă. Orice alterare sau modificare este considerată utilizare greșită și poate duce la condiții periculoase ce pot rezulta în vătămări personale grave.

⚠️ AVERTISMENT: Pentru a preveni pornirea accidentală care ar putea cauza vătămări personale grave, întotdeauna scoateți setul de acumulatori din sculă când asamblați componente.

ASAMBLAREA TUBURILOR SUFLANTEI

1. Suflanta prezintă trei tuburi: două frontale (un tub cilindric și un tub plat curbat) și un tub mijlociu (Fig. C).
2. Mai întâi atașați tubul cilindric de tubul din mijloc. Aliniați oricare dintre canelurile tubului cilindric cu butonul de pe tubul din mijloc (Fig. D).
3. Împingeți tubul mijlociu înainte până când butonul intră cu clichet într-una dintre caneluri. După care rotiți tubul mijlociu în direcția săgeții până când butonul glisează în poziția blocată (Fig. E).

Fig. C & D pentru descrierea componentelor consultați tabelul de mai jos:

C-1	Tub cilindric	D-1	Buton
-----	---------------	-----	-------

C-2	Tub plat curbat	D-2	Caneluri pentru diferite poziții de blocare
C-3	Tub mijlociu		

⚠️ OBSERVAȚIE: Înainte de blocarea tubului mijlociu în poziție în timpul rotirii, veți observa un opritor încorporat care va opune o rezistență redusă. Continuați să rotiți tubul trecând de opritor până când acesta culisează complet în poziția de blocare.

4. Puteți scurta sau prelungi lungimea tubului în funcție de preferințele dumneavoastră blocând tubul mijlociu în diferite poziții de blocare (Fig. F).

Fig. F pentru descrierea pieselor consultați tabelul de mai jos:

F-1	Blocat în prima poziție de blocare
F-2	Blocat în a doua poziție de blocare

5. Prindeți ansamblul de tuburi de carcasa suflantei în același mod (Fig. G).

Respectați aceeași ordine pentru a asambla tubul plat curbat pe suflantă.

6. Pentru a detașa ansamblul tuburilor de carcasa suflantei sau să detașați cele două tuburi, rotiți mai întâi tubul în direcția de deblocare pentru dezactiva mecanismul de zăvorăre, după care trageți tubul direct înspre exterior.

UTILIZAREA

⚠️ AVERTISMENT: Nu permiteți ca familiarizarea cu acest produs să vă facă neglijent. Amintiți-vă că o fracțiune de secundă de neglijență este suficientă pentru a provoca vătămări grave.

⚠️ AVERTISMENT: Nu utilizați nicio componentă sau accesoriu care nu a fost recomandat de producătorul acestui produs. Utilizarea de accesorii nerecomandate se poate solda cu vătămări grave.

⚠️ AVERTISMENT: Întotdeauna scoateți setul de acumulatori din produs înainte de a asambla componente, efectua reglaje, curăța sau când produsul nu este utilizat. Îndepărtarea setului de acumulatori va preveni pornirea accidentală care poate cauza răni personale grave.

Înainte de fiecare utilizări, inspectați întregul produs pentru depistarea defectelor, componentelor lipsă sau slăbite precum șuruburi, piulițe, bolțuri, capace, etc. Strângeți bine toate elementele de prindere și capacele și nu utilizați acest produs dacă piesele lipsă sau defecte nu sunt înlocuite.

NOTĂ: În caz de urgență, desfaceți imediat catarama din dreptul pieptului pentru a da jos suflanta.

SCOPUL UTILIZĂRII

Puteți utiliza acest produs în scopurile menționate mai jos:

- Curățarea suprafețelor dure precum căi de acces și alei.
- Îndepărtarea frunzelor și a acelor de pin de pe terase și căi de acces.

⚠ OBSERVAȚIE: Scula trebuie utilizată numai în scopul pentru care a fost proiectată. Orice altă utilizare este considerată a fi caz de utilizare necorespunzătoare.

INSTALAREA/ÎNDEPĂRTAREA SETULUI DE ACUMULATORI

Încărcați acumulatorul complet înainte de prima utilizare.

Utilizați numai seturile de acumulatori și încărcătorii din fig.A.

⚠ NOTĂ: Pentru performanțe cât mai bune, vă recomandăm utilizarea împreună cu acumulatorul EGO 56V BA2800(5,0 Ah) sau orice alt acumulator EGO 56V de capacitate mai mare.

■ Pentru atașare(Fig. H)

Aliniați nervurile de pe acumulator cu fantele de instalare și apăsați în jos setul de acumulatori până la auzul unui clic.

■ Pentru detașare(Fig. I)

Apăsați butonul de detașare al setului de acumulatori și scoateți setul de acumulatori.

⚠ AVERTISMENT: Întotdeauna țineți cont de amplasamentul picioarelor dumneavoastră, a copiilor sau a animalelor când apăsați butonul pentru detașarea acumulatorului. Pot fi cauzate răni grave în cazul căderii acumulatorului. Nu îndepărtați NICIODATĂ acumulatorul când vă aflați la înălțime.

POZIȚIONAREA SUFLANTEI CU SUPORT DE SPATE

⚠ AVERTISMENT: Îmbrăcați-vă corespunzător pentru a reduce riscul de rănire când utilizați această sculă. Nu purtați haine largi sau bijuterii. Purtați echipament de protecție/oculari și auditiv/pe pentru urechi. Purtați pantaloni lungi rezistenți, cizme și mănuși. Nu purtați pantaloni scurți, sandale sau să stați desculț.

Pentru ajustarea hamului de suport

1. Introduceți-vă brațele prin curelele hamului pentru a vă instala suflanta pe spate.

2. Ajustați-vă temporar ambele chingi de umăr în poziții confortabile (Fig. J), asigurându-vă că aveți cotul într-o poziție confortabilă.

3. Prindeți catarama de piept și reglați-i lungimea dacă este nevoie (Fig. K).

4. Prindeți catarama de talie și ajustați-i lungimea astfel încât suportul de spate să fie sprijinit în siguranță de șoldurile dumneavoastră (Fig. L & M).

OBSERVAȚIE: Suportul de spate nu trebuie să fie poziționat prea sus pe spatele dumneavoastră; acesta trebuie poziționat mai aproape de șolduri decât de umeri.

5. Reglați chingile de umăr pentru siguranță și confort. Asigurați-vă că suportul de spate este poziționat în siguranță pe spatele dumneavoastră, cu greutatea sprijinită de cureaua de talie, și fără a mișca în exces când vă deplasați (Fig. N).

6. Introduceți excesul de curea din jurul taliei în elasticul din ambele părți (Fig. O).

7. Pentru a detașa scula de pe spatele dumneavoastră, este suficient să apăsați catarama din dreptul taliei și cea de pe piept pentru a le elibera și cobori scula (Fig. P).

Ajustarea mânerului de control

1. Slăbiți piulița fluture pentru a ajusta mânerul înspre înainte sau înapoi după cum doriți (Fig. Q & R) și după care strângeți piulița fluture pentru a fixa poziția mânerului.

2. Pentru confort, puteți de asemenea să rotiți mânerul (Fig. S).

3. Pentru mărirea suprafeței pe care o curățați, deplasați tubul spre stânga sau spre dreapta (Fig. T).

PORNIREA/OPRIREA SUFLANTEI (Fig. U)

Numai trăgaciul de viteză aer

Apăsați trăgaciul pentru a reveni în modul suflantă

- Viteza aerului suflantei este controlată cu trăgaciul selector de viteză. Cu cât apăsați mai tare pe trăgaci, cu atât viteza aerului va fi mai mare; apăsând mai puțin obțineți viteze de suflare mai mici. Reglați viteza pentru a o adapta lucrării efectuate.

- Eliberați trăgaciul pentru a opri suflanta.

Numai selector de viteză cu blocare

Suflanta poate fi pornită și blocată pe orice viteză cu ajutorul selectorului de viteză cu blocare.

- Rotiți selectorul de viteză cu blocare în sensul acelor de ceas pentru a porni suflanta. Viteza aerului va crește pe măsură ce selectorul este rotit în sensul acelor de ceas.

- Pentru a diminua viteza aerului, rotiți selectorul de viteză cu blocare în sens anti oara. Continuați să rotiți selectorul de viteză cu blocare în sens anti oara până în poziția off pentru a opri suflanta.
- Continuați să rotiți selectorul de viteză cu blocare în sens anti oara până în poziția off pentru a opri suflanta.

Observație: Dacă selectorul de viteză cu blocare nu este re poziționat pe off înainte de punerea în funcțiune a suflantei, suflanta nu va porni prin acționarea selectorului de viteză când o baterie încărcată este instalată. Acesta este un element de protecție pentru a preveni pornirea accidentală. Apăsarea trăgaciului selector de viteză a aerului poate dezactiva protecția.

Apăsați butonul de amplificare în timp ce lucrați pentru a crește temporar viteza aerului la nivelul maxim. Suflanta va reveni la viteza setată în prealabil când butonul de amplificare este eliberat.

Fig. U pentru descrierea pieselor consultați tabelul de mai jos:

U-1	Selector de viteză cu blocare	U-3	Trăgaci viteză aer
U-2	Buton amplificare		

SFATURI PENTRU UTILIZAREA SUFLANTEI

- Pentru a preveni împrăștierea resturilor vegetale, suflați în jurul marginilor exterioare a unei grămezi de reziduuri. Nu suflați niciodată direct în centrul grămezii.
- Pentru a reduce nivelul sonor, limitați numărul de echipamente folosite simultan.
- Utilizați greble și mătură pentru a detașa resturile înainte de a le sufla. În condiții cu praf, umeziți ușor suprafețele dacă dispuneți de apă.
- Atenție la copii, animale, ferestre deschise sau mașini proaspăt spălate și suflați resturile în siguranță.
- După utilizarea suflantelor sau a altor echipamente, curățați! Eliminați resturile într-un mod corect.
- Nu se recomandă utilizarea suflantei la viteză mare timp îndelungat, deoarece o cantitate mare de vibrații și de zgomot poate fi nocivă pentru sănătatea dumneavoastră.

ÎNȚREȚINEREA

⚠ AVERTISMENT: Când efectuați operații de service, utilizați doar piese de schimb identice. Utilizarea oricăror altor piese poate crea un pericol sau poate produce o deteriorare. Pentru siguranța și fiabilitatea produsului, toate reparațiile ar trebui efectuate de către un tehnician de service autorizat.

⚠ AVERTISMENT: Pentru evitarea vătămarilor personale grave, îndepărtați întotdeauna setul de acumulatori din sculă când curățați sau efectuați orice operație de întreținere.

ÎNȚREȚINERE GENERALĂ

Evitați utilizarea solvenților când curățați piese din plastic. Majoritatea pieselor din plastic sunt susceptibile să se deterioreze de la diverse tipuri de solvenți comerciali și se pot defecta prin utilizarea acestora. Utilizați cârpe curate pentru a îndepărta murdăria, praful, uleiul, vaselina etc.

⚠ AVERTISMENT: Nu permiteți niciodată lichidelor de frână, benzinei, produselor petroliere, uleiurilor penetrante etc. să intre în contact cu piese din plastic. Substanțele chimice pot deteriora, pot slăbi sau pot distruge plasticul, ceea ce se poate solda cu vătămări grave.

DEPOZITAREA

- Detașați setul de acumulatori de suflantă.
- Îndepărtați toate materialele străine din prizele de aer ale suflantei.
- Aliniați butonul de depozitare ale tuburilor suflantei cu canelura de suspendare a tuburilor și prindeți tubul suflantei de carcasa compartimentului acumulatorului (Fig. V & W).
- Depozitați produsul într-un loc inaccesibil copiilor. Țineți-l la distanță de agenți corozivi, precum substanțele chimice de grădină și sărurile de dezghețare.

Fig. V pentru descrierea pieselor consultați tabelul de mai jos:

V-1	Buton de stocare tuburi suflantă
V-2	Canelură de suspendare tub

RO

Protejarea mediului înconjurător



Nu eliminați echipamentul electric, încărcătorul de acumulatori și bateriile/acumulatorii împreună cu deșeurile menajere!

Conform Directivei europene 2012/19/UE, sculele echipamentele electrice și electronice care nu mai sunt utilizabile, și conform Directivei europene 2006/66/CE, seturile de acumulatori/bateriile defecte sau uzate trebuie colectate separat și eliminate într-un mod ecologic corect.

Dacă aparatele electrice sunt aruncate la groapa de gunoi sau la haldă, se pot scurge substanțe periculoase în pânza freatică și acestea pot intra în lanțul trofic, afectându-vă sănătatea și bunăstarea.

GHID DE DEPANARE

PROBLEMĂ	CAUZĂ	SOLUȚIE
Suflanta nu funcționează.	<ul style="list-style-type: none"> ■ Setul de acumulatori nu este atașat la suflantă. ■ Nu există contact electric între suflantă și acumulator. ■ Setul de acumulatori este descărcat. ■ Setul de acumulatori sau suflanta sunt prea fierbinți. ■ Selectorul de viteză cu blocare nu a fost repositionat pe off înainte de punerea în funcțiune a suflantei. 	<ul style="list-style-type: none"> ■ Atașați setul de acumulatori de suflantă. ■ Îndepărtați acumulatorul, verificați contactele și reinstalați setul de acumulatori. ■ Încărcați setul de acumulatori. ■ Lăsați setul de acumulatori și suflanta să se răcească până când temperatura scade sub 67°C. ■ Apăsăți trăgaciul de aer pentru a dezactiva protecția și pentru a porni suflanta sau rotiți mai întâi selectorul de viteză pe off.
Viteza aerului scade semnificativ.	<ul style="list-style-type: none"> ■ Uzare excesivă a ventilatorului motorului. ■ Admisia de aer este blocată cu resturi. 	<ul style="list-style-type: none"> ■ Contactați centrul de service EGO pentru reparații. ■ Îndepărtați setul de acumulatori, curățați resturile.
Suflanta se oprește din funcționare la viteză amplificată.	<ul style="list-style-type: none"> ■ Suflanta a consumat mult curent de tensiune ridicată din acumulator și comută în modul de auto-protecție. 	<ul style="list-style-type: none"> ■ Opriți întrerupătorul rotativ, apoi reporniți suflanta după stingerea LED-ului acumulatorului. Scoateți acumulatorul și reconectați-l pentru a reporni suflanta.

RO

GARANȚIA

POLITICA DE GARANȚIE EGO

Vă rugăm consultați website-ul egopowerplus.com pentru termenii și condițiile complete ale politicii de garanție EGO.

PREBERITE VSA NAVODILA!



PREBERITE PRIROČNIK Z NAVODILI ZA UPORABO

OPOMBA: Ta navodila morajo biti na voljo tudi v drugačnem formatu, na primer na spletni strani.

⚠️ Preostalo tveganje! Pred uporabo izdelka se morajo osebe z elektronskimi napravami, kot je srčni spodbujevalnik, posvetovati s svojim zdravnikom. Delovanje električne opreme v bližini srčnega spodbujevalnika lahko povzroči motnje ali okvaro srčnega spodbujevalnika.

⚠️ OPOZORILO: Za zagotovitev varnosti in zanesljivosti mora vsa popravila izvesti usposobljen serviser.

VARNOSTNI SIMBOLI

Namen varnostnih simbolov je, da pritegnejo vašo pozornost na morebitne nevarnosti. Varnostni simboli in njihova pojasnila si zaslužijo vašo pozornost in razumevanje. Opozorilni simboli sami ne odpravljajo nobene nevarnosti. Navodila in opozorila niso nadomestilo za ustrezne ukrepe za preprečevanje nesreč.

⚠️ OPOZORILO: Poskrbite, da boste pred uporabo orodja prebrali in razumeli vsa varnostna navodila v priročniku z navodili za uporabo, vključno z vsemi simboli za varnostna opozorila, kot so »NEVARNOST«, »OPOZORILO«, in »SVARILO«. Neupoštevanje spodaj navedenih navodil se lahko odrazi v električnem udaru, požaru in/ali resnih telesnih poškodbah.

SPOROČILA ZA PREPREČEVANJE POŠKODB IN SPOROČILA Z INFORMACIJAMI

Ta uporabnika informirajo o pomembnih informacijah in/ali navodilih, ki bi lahko privedla do škode na opremi ali drugi lastnini, če jih ne bi upoštevali. Pred vsakim sporočilom se prikaže beseda »OBVESTILO«, kot je prikazano v spodnjem primeru.

OPOMBA: Če teh navodil ne boste upoštevali, lahko pride do poškodb opreme in/ali druge lastnine.



⚠️ ISPÉJIMAS: Naudojant bet kokius elektros prietaisus gali būti išsviesti ir pataikyti į akis pašaliniai objektai, galintys sunkiai sužeisti akis. Prieš pradėdami naudoti elektros prietaisą, visada užsidėkite apsauginius akinius arba apsauginius akinius su šonine apsauga ir, kai reikia, visą veidą dengiantį skydelį. Rekomenduojame naudoti platų matymo lauką užtikrinančią apsauginę kaukę ant akinių arba standartinius apsauginius akinius su šonine apsauga.

VARNOSTNA NAVODILA

Na tej strani so prikazani in opisani varnostni simboli, ki se lahko pojavijo na tem izdelku. Preberite, osvojite in sledite navodilom na stroju preden ga boste poskušali sestaviti in upravljati.

	Varnostno opozorilo	Ukrepi za večjo varnost.
	Nosite zaščito za oči	Pri upravljanju tega izdelka vedno nosite zaščitna očala ali varnostna očala s stransko zaščito in zaščito za celoten obraz.
	Nosite zaščito za ušesa	Pri upravljanju tega izdelka vedno nosite zaščito za ušesa.
	Preberite priročnik z navodili za uporabo	Za zmanjšanje nevarnosti poškodb morate prebrati priročnik z navodili za uporabo.
	Prisotni naj bodo varno oddaljeni	Prisotni naj bodo oddaljeni vsaj 15m.
V	Volt	Napetost
A	Amperi	Tok
Hz	Hertz	Frekvenca (v ciklih na sekundo)
W	Watt	Napajanje
min	Minute	Čas
m ³ /h	Kubični meter na uro	Prostornina zraka
km/h	Kilometri na uro	Hitrost zraka

SL

	Izmenični tok	Vrsta toka
	Enosmerni tok	Vrsta ali značilnost toka
n_0	Št. vrtljajev v prostem teku	Hitrost vrtenja, brez obremenitve
.../min	Na minuto	Vrtljajev na minuto.

Med uporabo električne naprave vedno upoštevajte osnovne varnostne ukrepe, vključno z naslednjimi.

SPLOŠNA VARNOSTNA OPOZORILA ZA ELEKTRIČNA ORODJA

⚠ OPOZORILO: Preberite vsa varnostna opozorila, navodila in tehnične podatke ter si oglejte slike, ki so priloženi temu električnemu orodju. Zaradi neupoštevanja spodaj navedenih navodil lahko pride do električnega udara, požara in/ali hudih telesnih poškodb.

Shranite vsa opozorila in vsa navodila za bodočo referenco.

Izraz »električno orodje« v opozorilih se nanaša na orodja, ki jih poganja električni tok (žična), ali na akumulatorska (brezžična) orodja.

VARNOST DELOVNEGA OBMOČJA

- Delovno območje naj bo čisto in dobro osvetljeno. V neurejenih in temnih območjih se rade zgodijo nesreče.
- Električnega orodja ne upravljajte v eksplozivnih okoljih, kot je ob prisotnosti vnetljivih tekočin, plinov ali prahu. Električno orodje ustvarja iskre, ki lahko zanetijo prah ali hlape.
- Med uporabo električnega orodja v bližino ne pustite otrok in drugih ljudi. Zaradi motenj pozornosti lahko izgubite nadzor.

ELEKTRIČNA VARNOST

- Vtiči električnih orodij se morajo prilegati vtičnicam. Vtiča nikoli ne smete spreminjati na kakršen koli način. Z ozemljenimi električnimi orodji ne uporabljajte spremenjenega vtiča. Nespremenjeni vtiči in pripadajoče vtičnice bodo zmanjšali tveganje električnega udara.
- Izogibajte se telesnemu stiku z ozemljenimi površinami, kot so cevi, radiatorji, štedilniki in hladilniki. Če je vaše telo ozemljeno, obstaja povečano tveganje električnega udara.
- Polnilnika ne izpostavljajte dežju ali vlažnim pogojem. Voda v polnilniku znatno poveča tveganje električnega udara.

- **Kabla ne uporabljajte za neustrezne namene. Kabla ne uporabljajte za nošenje, vlečenje ali odklapanje polnilnika. Kabel hranite stran od vročine, olja, ostrih robov ali premikajočih se delov.** Poškodovani ali zapleteni kabli zvišujejo tveganje električnega udara.
- **Med zunanjo uporabo električnega orodja uporabljajte podaljševalni kabel, ki je primeren za zunanjo uporabo.** Uporaba kabla, primernega za zunanjo uporabo, znižuje tveganje električnega udara.
- **Če je uporaba električnega orodja na vlažnem mestu neizogibna, uporabite stikalo za prekinitev napajanja pri najmanjšem okvarnem toku.** Uporaba te naprave bo zmanjšala nevarnost električnega udara.

OSEBNA VARNOST

- **Med uporabo električnega orodja bodite pozorni, spremljajte potek dela in uporabljajte zdrav razum.** Električnega orodja ne uporabljajte, kadar ste utrujeno ali pod vplivom drog, alkohola ali zdravil. Trenutek nepazljivosti med uporabo električnega orodja lahko privede do resnih telesnih poškodb.
- **Uporabljajte osebno varovalno opremo. Vedno nosite zaščito za oči.** Če v različnih okoliščinah nosite ustrezno zaščitno opremo, kot so maska proti prahu, obutev z nehrsečim podplatom, trdno pokrivalo glave in zaščita za sluh, zmanjšate možnost telesnih poškodb.
- **Preprečite neželen zagon. Pred priključitvijo napajanja in/ali baterijskega sklopa, pred dvigovanjem ali nošenjem orodja se prepričajte, da je stikalo v položaju za izklop.** Prenaslanje električnih orodij, tako da prst držite na stikalu, ali dovajanje napajanja električnim orodjem, pri katerih je stikalo v položaju »on (vklop)« poveča tveganje nesreč.
- **Pred vklopom električnega orodja odstranite morebitne prilagojevalne ključe ali izvijače.** Izvijač ali ključ, ki je pritrjen na vrtljivi del električnega orodja, lahko povzroči telesne poškodbe.
- **Ne segajte preko dosega. Pazite, da stojite stabilno in da imate ravnotežje.** To omogoča boljši nadzor nad električnim orodjem v nepričakovanih situacijah.
- **Bodite primerno oblečeni. Ne nosite ohlapnih oblačil ali nakita. Pazite, da lasje, oblačila in rokavice ne pridejo v bližino gibljivih delov.** Ohlapna oblačila, nakit ali dolgi lasje se lahko zapletejo v gibljive dele.
- **Če imate na voljo naprave za sesanje in zbiranje prahu, preverite, ali so priključene in ali se ustrezno uporabljajo.** Uporaba naprav za odstranjevanje prahu lahko zmanjša nevarnosti, povezane s prahom.

SL

- Tudi če orodja pogosto uporabljate in jih dobro poznate, ne postanite brezbržni in ne prezrite varnostnih načel orodja. Nepazljivo dejanje lahko povzroči hude telesne poškodbe v delcu sekunde.

UPORABA IN NEGA ELEKTRIČNEGA ORODJA

- Električnega orodja ne preobremenjujte. Uporabite električno orodje, ki ustreza vašemu delu. Ustrezno električno orodje bo nalogo opravilo bolje in varneje pri zmogljivosti, za katero je bilo zasnovano.
- Ne uporabljajte električnega orodja, če ga stikalo ne vklopi ali izklopi, kot bi bilo treba. Kakršno koli električno orodje, ki ga ni mogoče nadzirati s stikalom, je nevarno in ga je potrebno popraviti.
- Odklopite vtič z vira napajanja in/ali baterije, preden opravljate kakršne koli prilagoditve, menjate dodatke ali shranjujete električno orodje. Tovrstni preventivni varnostni ukrepi zmanjšujejo tveganje nehotnega zagona električnega orodja.
- Električna orodja, ki niso v uporabi, shranjujte izven dosega otrok in ne dovolite, da bi električno orodje uporabljale osebe, ki niso seznanjene z električnim orodjem ali s temi navodili. Električna orodja so v rokah neusposobljenih uporabnikov nevarna.
- Električna orodja redno vzdržujte. Preverite, ali so gibljivi deli morda napačno pritrjeni ali poškodovani, oz. ali obstaja kakršno koli drugo stanje, ki bi lahko vplivalo na delovanje električnega orodja. Če je električno orodje poškodovano, ga pred ponovno uporabo dajte v popravilo. Mnogo nesreč se pripeti zaradi slabo vzdrževanih električnih orodij.
- Rezalna orodja naj bodo vedno nabrušena in čista. Pravilno vzdrževana rezalna orodja z ostrimi rezili se težje zaskočijo in jih je lažje nadzirati.
- Električno orodje, dodatke in dele orodja itd. uporabljajte v skladu s temi navodili, pri tem pa upoštevajte delovne pogoje in delo, ki ga boste opravljali. Če boste električno orodje uporabljali za neustrezne namene, lahko pride do nevarnih situacij.
- Ročaji in prijemalne površine naj bodo suhe, čiste in brez madežev olja ali masti. Spolzki ročaji in prijemalne površine ne omogočajo varnega ravnanja in nadzora na orodjem v nepričakovanih situacijah.

UPORABA IN VZDRŽEVANJE BATERIJSKEGA ORODJA

- Baterijo polnite le s polnilnikom, ki ga določa proizvajalec. Polnilnik, ki ustreza eni vrsti baterij, morda lahko povzroči požar, če z njim polnite drugo vrsto baterij.

- Baterijska orodja uporabljajte samo s predpisano vrsto baterij. Uporaba katerih koli drugih baterij ustvari tveganje poškodb in požara.
- Ko baterijski sklop ni v uporabi, ga hranite ločeno od kovinskih predmetov, kot so sponke za papir, kovanci, ključi, žebli, vijaki ali drugi majhni kovinski predmeti, ki lahko povzročijo stik med eno in drugo sponko. Kratek stik zaradi povezanih terminalov baterije lahko povzroči opeklino ali požar.
- Ob zlorabi baterije lahko iz nje steče tekočina. Če se po nesreči dotaknete tekočine, mesto dotika sperite z vodo. Če pride tekočina v stik z očmi, poiščite zdravstveno pomoč. Tekočina, ki izteče iz baterije, lahko povzroči vnetje ali opeklino.
- Akumulatorske baterije ali orodja, ki je poškodovano ali spremenjeno, ne uporabljajte. Poškodovane ali spremenjene baterije lahko nepredvidljivo delujejo, zaradi česar lahko pride do požara, eksplozije ali telesnih poškodb.
- Akumulatorske baterije ali orodja ne izpostavljajte ognju ali previsokim temperaturam. Izpostavljanje ognju ali temperaturam nad 130 °C lahko povzroči eksplozijo.
- Upoštevajte vsa navodila za polnjenje in akumulatorske baterije oziroma orodja ne polnite izven temperaturnega območja, navedenega v navodilih. Zaradi nepravilnega polnjenja ali temperature zunaj navedenega območja lahko pride do poškodb baterije in povečanega tveganja za požar.

SERVIS

- Električno orodje naj servisira usposobljeno servisno osebje, ki uporablja le enake nadomestne dele. To bo zagotovilo ohranjanje varnosti električnega orodja.
- Nikoli ne popravljajte poškodovanih akumulatorskih baterij. Akumulatorske baterije lahko popravi le proizvajalec ali pooblaščen izvajalec storitev.

PRED UPORABO TEGA IZDELKA PREBERITE VSA NAVODILA!

USPOSABLJANJE

- Naprave naj nikoli ne upravljajo otroci, osebe z zmanjšanimi fizičnimi, senzornimi ali mentalnimi sposobnostmi ali osebe s premalo izkušnjami in znanja oziroma osebe, ki niso seznanjene s temi navodili.
- Upravljevec oziroma uporabnik je odgovoren za nesreče in tveganja za druge ljudi in lastnino.

PRIPRAVA

SL

- Električno orodje lahko uporabljate v dežju ali mokrih razmerah. Po končanem delu električno orodje osušite.
- Pred uporabo preverite morebitne poškodbe baterij oz. akumulatorskih baterij. Če so baterije ali akumulatorske baterije poškodovane, orodja ne uporabljajte.

UPRAVLJANJE

- Električno orodje lahko uporabljate v dežju ali mokrih razmerah. Po končanem delu električno orodje osušite.
- Odklopite baterije ali akumulatorske baterije:
 1. vsakič ko orodje odložite;
 2. pred odpravljanjem blokade;
 3. pred pregledovanjem ali čiščenjem orodja ali pred delom na orodju;
 4. če začne orodje nenormalno vibrirati.
- Pri uporabi na pobočjih vedno pazite na ravnotežje.
- Hodite, nikoli ne tecite.
- Poskrbite, da bodo odprtine za zračenje čiste.
- Priporočamo, da orodje uporabljate le v razumnih urah dneva: ne zgodaj zjutraj ali pozno ponoči, ko lahko motite ljudi.
- Priporočamo, da v sušnih razmerah površine nekoliko navlažite ali uporabite nastavek.

⚠ OPOZORILO: Nevarnost vrtečih se delov.

- Uporabite podaljšek šobe puhalnika, tako da lahko zračni curek deluje zelo blizu tlom.
- Orodja ne uporabljajte v bližini odprtih oken itd.

VZDRŽEVANJE IN SHRANJEVANJE

- Vse matice in vijaki naj bodo trdno priviti, da boste zagotovili varno delovno stanje orodja.
- Izrabljene ali poškodovane dele zamenjajte.
- Uporabljajte samo originalne dele in dodatke.
- Napravo vedno shranjujte na suhem mestu.

⚠ OPOZORILO: Za zmanjšanje tveganja požara, električnega udara ali poškodb:

POMEMBNO

PRED UPORABO NATANČNO PREBERITE.

SHRANITE ZA PRIHODNJO UPORABO.

- Puhalnika ni dovoljeno uporabljati kot igračo. Kadar ga uporabljajo otroci, jih je treba pozorno spremljati.
- Če puhalnik ne deluje, kot bi moral, če je padel, je poškodovan ali je padel v vodo, ga vrnite v servisni center.
- V odprtine ne dajajte nobenih predmetov. Ne uporabljajte z zamašenimi odprtinami. V odprtinah naj ne bo prahu, kosmov, las in česar koli, kar lahko zmanjša pretok zraka.
- Pri čiščenju na stopnicah bodite posebej previdni.
- Ko je vtič baterije vstavljen, puhalnika ne puščajte brez nadzora. Kadar puhalnik ni v uporabi in pred servisiranjem odstranite baterijo.
- Z mokrimi rokami ne rokujte s polnilnikom, vključno z vtičem polnilnika ali sponkami polnilnika.
- Akumulatorske baterije ne polnite zunaj.


⚠ OPOZORILO:

- Preden napravo zavržete, morate iz nje odstraniti akumulatorsko baterijo.
- Baterijo morate varno zavreči.
- Ovir NE poskušajte odstraniti iz enote, dokler najprej ne odstranite baterije.
- Puhalnik in njegov ročaj naj bosta suha, čista in brez madežev olja ali masti. Za čiščenje vedno uporabite čisto krpo. Za čiščenje puhalnika nikoli ne uporabljajte zavorne tekočine, bencina, izdelkov na osnovi naftnih derivatov ali drugih močnejših topil. Če boste sledili temu pravilu, boste zmanjšali tveganje za izgubo nadzora in razpad plastičnega ohišja.
- Blizu vira vžiga, kot je močan reflektor, lahko baterije eksplodirajo. Za zmanjšanje nevarnosti resnih telesnih poškodb brezžičnih izdelkov nikoli ne uporabljajte blizu odprtega ognja. Če baterija eksplodira, lahko od nje odletijo delci in kemikalije. Če pridete v stik z njimi, takoj izperite z vodo.
- Naprave nikoli ne vklopite brez nameščene ustrezne opreme. Vedno se prepričajte, da je cev puhalnika nameščena.
- Puhalnika nikoli ne uporabljajte v bližini ognja ali vročega pepela. Uporaba v bližini ognja ali pepela lahko razširi požar, kar lahko vodi v resno poškodbo in/ali poškodbe lastnine.
- Puhalnika nikoli ne uporabljajte za razprševanje kemikalij, gnojil ali drugih strupenih snovi. Razprševanje teh snovi lahko povzroči resne telesne poškodbe upravljalca ali opazovalcev.

- **Shranite ta navodila.** Pogosto jih preberite in jih uporabite za poučevanje drugih, ki uporabljajo to orodje. Če to orodje komu posodite, mu posodite tudi ta navodila, da preprečite nepravilno uporabo izdelka in morebitne poškodbe.

SHRANITE TA NAVODILA.

TEHNIČNI PODATKI

Napetost	56 V 
Največja prostornina zraka	1020 m ³ /h
Največja hitrost zraka	232 km/h
Največja sila pihanja	19 N
Priporočena delovna temperatura	-15 °C–40 °C
Priporočena temperatura za shranjevanje	-20°C–70° C
Povprečen čas delovanja (z baterijo EGO 56V, 5,0 Ah)	15 min (Povečanje hitrosti)
	22 min (Visoka hitrost)
	120 min (Nizka hitrost)
Teža puhalnika (brez baterijskega sklopa, s cevjo)	5,7 kg
Izmerjena raven zvočnega tlaka L _{WA}	94,6 dB(A) K=0,8 dB(A)
Raven zvočnega tlaka v ušesu upravljavca L _{PA}	82 dB(A) K=2,5 dB(A)
Zajamčena raven zvočnega tlaka L _{WA} (glede na 2000/14/EC)	95 dB(A)
Vibracije a _n	0,522 m/s ² K=1,5 m/s ²

- Deklarirana skupna vrednost vibracij je bila izmerjena v skladu s standardno preskusno metodo in se lahko uporabi za medsebojno primerjavo različnih orodij;
- Navedena skupna vrednost vibracij se lahko uporabi za predhodne ocene izpostavljenosti.

OPOMBA: Emisije vibracij se lahko med dejansko uporabo električnega orodja razlikujejo od deklarirane vrednosti, pri kateri se orodje uporablja. Z namenom zaščite upravljavca mora uporabnik v dejanskih pogojih uporabe nositi rokavice in zaščito za ušesa.

SEZNAM PAKIRANJA

IME DELA	KOLIČINA
Puhalnik	1
Cev puhalnika	3
Priročnik z navodili za uporabo	1

OPIS

SPOZNAJTE SVOJ PUHALNIK (slika A & B)

1. Ročaj
2. Gumb za sprostitvev baterije
3. Zaklep
4. Električni kontakti
5. Mehanizem za izmet
6. Dovod zraka
7. Sprednja cev (ukrivljena ploska cev)
8. Odprtina za izhod zraka
9. Sprednja cev (cilindrične cevi)
10. Srednja cev
11. Nadzorni ročaj
12. Nastavljiv podporni pas
13. Gumb za shranjevanje cevi puhalnika
14. Gumb za povečanje hitrosti
15. Gumb za nastavitev hitrosti/zaklepa
16. Sprožilec za hitrost zraka
17. Matica
18. Zareza za namestitvev cevi

⚠ OPOZORILO: Varna uporaba tega izdelka zahteva razumevanje informacij na orodju in v teh navodilih za uporabo, prav tako tudi znanje o projektu, ki ga boste izvedli. Pred uporabo tega izdelka se seznanite z vsemi funkcijami delovanja in varnostnimi pravili.

SESTAVLJANJE

⚠ OPOZORILO: Če so deli poškodovani ali manjkajo, izdelka ne uporabljajte, dokler deli niso zamenjani. Če ta izdelek uporabljate s poškodovanimi ali manjkajočimi deli, se lahko resno poškodujete.

⚠ OPOZORILO: Tega izdelka ne poskušajte spreminjati in ne poskušajte izdelovati dodatkov, ki niso primerni za uporabo s tem puhalnikom. Vsako tako spreminjanje je zloraba in lahko privede do tveganj, ta pa do hudih telesnih poškodb.

⚠ OPOZORILO: Da preprečite nenamerni zagon, ki bi lahko povzročil resno telesno poškodbo, pri nameščanju delov vedno odstranite baterijski sklop.

NAMEŠČANJE CEVI PUHALNIKA

1. Za pihalnik so na voljo tri cevi: dve sprednji cevi (cev v obliki valja in ukrivljena ploska cev) ter srednja cev (slika C).
2. Najprej pritrdite cev v obliki valja na srednjo cev. Utoke na cevi v obliki valja poravnajte z gumbom na srednji cevi (slika D).
3. Srednjo cev potisnite naprej, da se gumb zaskoči v eno izmed zarez. Nato srednjo cev zavrtite v smeri puščice, da gumb zdrsne v zaklenjen položaj (slika E).

Sliki C in D: za opis delov glejte spodaj:

C-1	cilindrične cevi	D-1	Gumb
C-2	Ukrivljena ploska cev	D-2	Zareze za različne zaklenjene položaje
C-3	Srednja cev		

⚠ OPOMBA: Preden se srednja cev zaklene na mesto med vrtenjem, boste opazili vgrajeno prekinitvev, ki bo ustvarila nekaj upora. Cev še naprej vrtite preko prekinitvev, da popolnoma zdrsne v zaklenjen položaj.

4. Cev lahko skrajšate ali podaljšate glede na svoje želje tako, da srednjo cev zaklenete v drug zaklenjen položaj (slika F).

Slika F: za opis delov glejte spodaj:

F-1	Cev je zaklenjena v prvem zaklenjenem položaju.
F-2	Cev je zaklenjena v drugem zaklenjenem položaju.

5. Sklop cevi na enak način pritrdite na ohišje pihalnika (slika G).

Upošteвайте vrstni red za sestavljanje ukrivljenje ploske cevi s pihalnikom.

6. Da odstranite sklop cevi z ohišja pihalnika ali da ločite obe cevi, najprej cev zavrtite v smer za odklepanje, da sprostite zaklep, nato pa cev povlecite naravnost ven.

DELOVANJE

⚠ OPOZORILO: Četudi se dodobra seznanite s tem izdelkom, pri rokovanju z njim ne postanite neprevidni. Pomnite, da je brezskrbni delec sekunde dovolj za resno poškodbo.

⚠ OPOZORILO: Ne uporabljate priključkov ali dodatkov, ki jih proizvajalec tega izdelka ne priporoča. Uporaba priključkov ali dodatkov, ki niso priporočeni, lahko privede do resnih telesnih poškodb.

⚠ OPOZORILO: Pri nameščanju delov, opravljanju prilagoditev, čiščenju ali kadar izdelek ni v uporabi vedno odstranite baterijski sklop. Odstranitev baterijskega sklopa bo preprečila nenamerni zagon, ki bi lahko povzročil resno telesno poškodbo.

Pred vsako uporabo celoten izdelek preglejte za poškodovane, manjkajoče ali zrahljanje dele, kot so vijaki, matice in pokrovi. Vsa zapirala in pokrove trdno privijte in izdelka ne uporabljajte dokler ne zamenjate manjkajočih ali poškodovanih delov.

OPOMBA: V sili odprite prsno sponko in odstranite pihalnik.

UPORABA

Ta izdelek lahko uporabljate za naslednje namene:

- Čiščenje trdnih površin, kot so dovozi in sprehajalne poti.
- Ohranjanje sprehajališč in poti brez listja in iglic.

⚠ OPOMBA: Izdelek se lahko uporablja samo za predpisan namen. Kakršna koli druga uporaba se smatra za nepravilno uporabo.

PRIKLJUČITEV/ODKLAPLANJE BATERIJSKEGA SKLOPA

Pred prvo uporabo ga popolnoma napolnite.

Napravo uporabljajte le z akumulatorskimi baterijami in polnilniki, navedenimi v sliki A.

⚠ OPOMBA: Za boljše rezultate priporočamo uporabo 56-voltno EGO baterije BA2800 (5,0 Ah) ali katere koli druge 56-voltno EGO baterije z višjo zmogljivostjo.

■ Za priključitev (slika H)

Rebra baterije poravnajte z režami za namestitev in baterijski sklop potisnite navzdol, da zaslišite klik.

■ Za odklapanje (slika I)

Pritisnite gumb za sprostitev baterije in baterijski sklop potegnite ven.

⚠ OPOZORILO: Ko pritisnete gumb za sprostitev baterije, vedno pazite na to, kje so vaše noge, otroci ali hišni ljubljenci. Če vam baterija pade na tla, lahko pride do hudih telesnih poškodb. Baterije NIKOLI ne odstranjujte na visokem mestu.

NAMEŠČANJE PUHALNIKA Z NAHRBTNIKOM

⚠ OPOZORILO: Za upravljanje tega orodja se primerno oblecite, da zmanjšate nevarnost poškodb. Ne nosite ohlapnih oblačil ali nakita. Nosite zaščito za oči in sluh. Nosite robustne dolge hlače, škornje in rokavice. Ne nosite kratkih hlač, sandalov ali bodite bos.

Nastavitev podpornega pasu

1. Roke potisnite skozi naramnice nahrbtnika za podporo puhalniku na vašem hrbtu.
2. Občasno nastavite obe naramnici v udoben položaj (slika J) in pri tem poskrbite, da bo komolec udobno nameščen.
3. Zaprite zaponko na prsih in po potrebi prilagodite njeno dolžino (slika K).
4. Zaprite zaponko na pasu ter nastavite njeno dolžino tako, da bodo vaši boki varno podpirali nahrbtnik (sliki L in M).

OPOMBA: Nahrbtnika ne smete nositi previsoko na hrbtu. Nameščen naj bo bliže bokom kot ramenom.

5. Za varnost in udobje ponovno nastavite naramnice. Prepričajte se, da je nahrbtnik varno nameščen na vašem hrbtu, pri čemer težo podpira pas, ter brez odvečnega gibanja med vašim premikanjem (slika N).
6. Odvečno dolžino pasu okrog pasu vstavite v elastiko na obeh straneh (slika O).
7. Da orodje odstranite s hrbta, enostavno pritisnite na zaponki v pasu in na prsih in ju sprostite ter snemite orodje (slika P).

SL

PRILAGAJANJE NADZORNEGA ROČAJA

1. Odvijte matico, da po potrebi nastavite ročaj naprej ali nazaj (sliki Q in R) ter privijte matico, da ročaj pričvrstite na mestu.
2. Za večje udobje lahko tudi zavrtite ročaj, če je treba (slika S).
3. Za povečanje območja čiščenja, cev pomaknite levo ali desno (slika T).

VKLOP/IZKLOP PUHALNIKA (slika U)

Samo za sprožilec za hitrost zraka

- Spustite sprožilec za hitrost zraka, da vklopite pihalnik.
- Hitrost zraka v pihalniku regulirate z nastavljenim sprožilcem hitrosti. Če sprožilec pritisnete z večjo silo, povišate hitrosti pihanja. Če pa sprožilec pritisnete z manjšo silo, zmanjšate hitrosti pihanja. Hitrost prilagodite dejavnosti, ki jo trenutno izvajate.

- Spustite sprožilec za hitrost zraka, da izklopite pihalnik.

Samo za gumb za hitrost/zaklep

Pihalnik lahko vklopite in ga zaklenete pri kateri koli hitrosti z gumbom za nastavitev hitrosti/zaklepa.

- Obrnite gumb za nastavitev hitrosti/zaklepa v smeri urinega kazalca, da zaženete pihalnik. Hitrost zraka se bo povečala, saj ste gumb zavrteli v smeri urinega kazalca.
- Če želite znižati hitrost zraka, gumb za hitrost/zaklep zavrtite v nasprotni smeri urinega kazalca. Gumb za hitrost/zaklep še naprej obračajte v nasprotni smeri urinega kazalca, dokler ne dosežete položaja za izklop pihalnika, da izklopite pihalnik.
- Gumb za nastavitev hitrosti/zaklepa še naprej obračajte v nasprotni smeri urinega kazalca, dokler ne dosežete položaja za izklop pihalnika, da izklopite pihalnik.

Opomba: Če gumba za nastavitev hitrosti/zaklepa ne obrnete nazaj na položaj za izklop, preden vklopite pihalnik, pihalnika ne bo mogoče zagnati z gumbom za nastavitev hitrosti/zaklep, če je nameščena napolnjena baterija. Gre za varnostno funkcijo, ki preprečuje nenameren zagon. S pritiskom sprožilca za hitrost zraka lahko deaktivirate zaščito.

Med delom pritisnite gumb za pospeševanje, če želite začasno povečati hitrost zraka na najvišjo možno raven. Ko spustite gumb za pospeševanje, bo pihalnik nadaljeval pri nastavljeni hitrosti.

Slika U: za opis delov glejte spodaj:

U-1	Gumb za nastavitev hitrosti/zaklepa	U-3	Sprožilec za hitrost zraka
U-2	Gumb za povečanje hitrosti		

NASVETI ZA UPORABO PUHALNIKA

- Da delci ne bi leteli naokrog, pihalnik uporabite tako, da pihate ob zunanjem robu kopice. Nikoli ne pihajte neposredno v osrednji del kopice.
- Za nižjo raven zvočnega hrupa napravo uporabljajte manj pogosto.
- Pred uporabo pahalnika z grabljami zrahljajte sprijeti material. V prašnih pogojih površine rahlo navlažite, če je voda na voljo.
- Pazite na otroke, domače živali, odprta okna ali sveže oprana vozila in odpadke varno odpihujte stran.
- Po uporabi pahalnikov ali druge opreme počistite. Odpadke odstranite na ustrezen način.

- Priporočamo, da pihalnika ne uporabljate dalj časa pri visoki hitrosti, saj večje količine vibracij in hrup lahko škodujeta vašemu zdravju.

VZDRŽEVANJE

⚠ OPOZORILO: Pri servisiranju uporabljajte le identične nadomestne dele. Uporaba drugih delov je tvegana in lahko povzroči škodo na izdelku. Za zagotovitev varnosti in zanesljivosti mora vsa popravila izvesti usposobljen serviser.

⚠ OPOZORILO: Da se izognete resnim telesnim poškodbam, med čiščenjem ali vzdrževanjem vedno odstranite baterijski sklop.

SPLOŠNO VZDRŽEVANJE

Pri čiščenju plastičnih delov se izogibajte uporabi topil. Večina vrst plastik se lahko pri uporabi različnih komercialnih topil poškoduje. Za odstranjevanje prahu, umazanije, olja, masti itd. uporabite čiste krpe.

⚠ OPOZORILO: Nikoli naj zavorna tekočina, gorivo, izdelki na bazi petroleja, prodirajoče olje ipd. ne pridejo v stik s plastičnimi deli. Kemikalije lahko plastiko poškodujejo, oslabijo ali uničijo, kar lahko povzroči hude telesne poškodbe.

SHRANJEVANJE

- Iz pihalnika odstranite baterijski sklop.
- Iz vseh dovodov zraka pihalnika očistite vse tujke.
- Gumb za shranjevanje cevi pihalnika poravnajte z zarezo za namestitev cevi ter cev pihalnika obesite na ohišje predala za baterije (sliki V in W).
- Napravo skladiščite v notranjem prostoru, ki je nedostopen otrokom. Ne shranjujte ga v bližini korozivnih sredstev, kot so vrtno kemikalije in soli za topljenje ledu.

Slika V: za opis delov glejte spodaj:

V-1	Gumb za shranjevanje cevi pihalnika
V-2	Zareza za namestitev cevi

Varovanje okolja



Električne opreme, polnilnika baterij in baterij/baterij, ki jih je mogoče polniti, ne odvrzite med gospodinjske odpadke!

V skladu z evropskim zakonom 2012/19/EU glede električne in elektronske opreme, ki ni več uporabna, in v skladu z evropskim zakonom 2006/66/EC glede pokvarjenih ali izrabljenih baterijskih sklopov/baterij, je treba baterije zbrati ločeno in odvreči na okoljsko sprejemljiv način.

Če električne naprave odvržete na smetišča, lahko nevarne snovi pronicajo v podtalnico in tako pridejo v prehranjevalno verigo, s čimer ogrozijo vaše zdravje in dobro počutje.

ODPRAVLJANJE TEŽAV

TEŽAVA	VZROK	REŠITEV
Puhalnik ne deluje.	<ul style="list-style-type: none"> ■ Baterijski sklop ni pritrjen na puhalnik. ■ Med puhalnikom in baterijo ni električnega stika. ■ Baterijski sklop je izpraznjen. ■ Baterijski sklop ali puhalnik je prevroč. ■ Gumb za nastavitev hitrosti/zaklepa pred vklopom pihalnika ni bil vrnjen na položaj za izklop. 	<ul style="list-style-type: none"> ■ Baterijski sklop pritrdite na puhalnik. ■ Odstranite baterijo, preverite kontakte in ponovno namestite baterijski sklop. ■ Napolnite baterijski sklop. ■ Ohladite baterijski sklop in puhalnik, da temperatura pade pod 67°C. ■ Spustite sprožilec za nastavitev hitrosti zraka, da onemogočite zaščito, in zaženite pihalnik ali pa gumb za nastavitev hitrosti/zaklepa obrnite na položaj za izklop.
Hitrost zraka se znatno zmanjša.	<ul style="list-style-type: none"> ■ Prevelika obraba ventilatorja motorja. ■ Dovod zraka je zamašen z delci. 	<ul style="list-style-type: none"> ■ Za popravilo stopite v stik servisnim centrom EGO. ■ Odstranite baterijski sklop, očistite delce.
Pihalnik preneha delovati pri pospešeni hitrosti.	<ul style="list-style-type: none"> ■ Pihalnik se je napajal z visokim tokom iz akumulatorja in bo preklopil v način samodejne zaščite. 	<ul style="list-style-type: none"> ■ Izklopite vrtljivo stikalo in nato ponovno zaženite pihalnik, ko je akumulator LED ugasnjen. Odstranite akumulator in ga ponovno priključite, da omogočite vnovični zagon pihalnika.

SL

GARANCIJA

GARANCIJSKA POLITIKA DRUŽBE EGO

Za popolne pogoje garancijske politike družbe EGO obiščite spletno stran egopowerplus.com.

PERSKAITYKITE VISĄ INSTRUKCIJĄ!



PERSKAITYKITE NAUDOJIMO INSTRUKCIJĄ

PASTABA. Ši instrukcija taip pat pasiekama kitu formatu, pvz., interneto svetainėje.

⚠ Liekamoji rizika! Žmonėms, kuriems implantuoti elektroniniai prietaisai, pvz., širdies stimulatoriai, prieš pradėdami naudoti šį gaminį, reikia pasitarti su savo gydytoju (-ais). Arti širdies stimulatoriaus veikianti elektros įranga gali trikdyti širdies stimulatoriaus veikimą arba jį sugadinti.

⚠ ĮSPĖJIMAS. Norint užtikrinti saugų ir patikimą gaminio naudojimą, visus remonto ir keitimo darbus turi atlikti kvalifikuotas techninės priežiūros specialistas.

SAUGOS SIMBOLIAI

Šių simbolių paskirtis – atkreipti dėmesį į galimus pavojus. Gerai susipažinkite su saugos simboliais bei jų paaiškinimais ir juos įsidėmėkite. Simbolių įspėjimai patys savaime negali apsaugoti nuo pavojų. Jais žymimi nurodymai ir įspėjimai neatstoja tinkamų nelaimingų atsitikimų prevencijos priemonių.

⚠ ĮSPĖJIMAS. Prieš pradėdami naudoti šį gaminį, perskaitykite visus šioje naudojimo instrukcijoje pateiktus saugos nurodymus, taip pat susipažinkite su visais saugos įspėjamaisiais simboliais, tokiais kaip **PAVOJUS**, **ĮSPĖJIMAS** ir **PERSPĖJIMAS**, ir įsitikinkite, ar juos supratote. Nesilaikant visų toliau išdėstytų nurodymų, galima patirti elektros smūgį, sukelti gaisrą ir (arba) sunkiai susižaloti.

APSAUGOS NUO PAŽEIDIMŲ IR INFORMACINIAI PRANEŠIMAI

Jais naudotojui pateikiama svarbi informacija ir (arba) nurodymai, kurių nesilaikant gali būti padaryta žala įrangai arba kitai nuosavybei. Kiekvieno pranešimo pradžioje yra žodis **PASTABA**, kaip toliau pateiktame pavyzdyje.

PASTABA. Nesilaikant šių nurodymų, gali būti padaryta žala įrangai ir (arba) nuosavybei.





⚠ ĮSPĖJIMAS. Naudojant bet kokius elektrinius įrankius, į akis gali būti išsviesta svetimkūnių, kurie jas gali sunkiai sužaloti. Prieš pradėdami naudoti elektrinį įrankį, visada užsidėkite apsauginius akinius arba apsauginius akinius su šonine apsauga ir, jei reikia, visą veidą dengiantį skydelį. Rekomenduojame naudoti platų matymo lauką užtikrinančią apsauginę kaukę ant akinių arba standartinius apsauginius akinius su šonine apsauga.

SAUGOS NURODYMAI

Šiame puslapyje pavaizduoti ir aprašyti saugos simboliai, kurių gali būti ant šio gaminio. Prieš bandydami surinkti ir naudoti įrenginį, perskaitykite visus ant jo pateiktus nurodymus, įsitikinkite, ar juos supratote, ir jais vadovaukitės.

	Saugos įspėjimas	Atsargumo priemonės, skirtos užtikrinti jūsų saugumą.
	Užsidėkite apsauginius akinius	Naudodami šį gaminį, visada užsidėkite apsauginius akinius arba apsauginius akinius su šonine apsauga ir visą veidą dengiantį skydelį.
	Užsidėkite apsaugines ausines	Visada užsidėkite apsaugines ausines, kai dirbate su šiuo gaminium.
	Perskaitykite naudojimo instrukciją	Norėdamas sumažinti pavojų susižaloti, naudotojas privalo perskaityti naudojimo instrukciją.
	Neleiskite artintis pašaliniams asmenims	Užtikrinkite, kad pašaliniai asmenys būtų bent 15 m atstumu.
V	Voltas	Įtampa
A	Amperas	Srovė
Hz	Hercas	Dažnis (ciklai per sekundę)
W	Vatas	Galia
min	Minutės	Laikas
m ³ /h	Kubiniai metrai per valandą	Oro debitas
km/h	Kilometrai per valandą	Oro srauto greitis

LT

	Kintamoji elektros srovė	Srovės tipas
	Nuolatinė elektros srovė	Srovės tipas arba charakteristika
n_0	Sūkliai be apkrovos	Sukimosi greitis, kai nėra apkrovos
... /min	Per minutę	Apsisukimai per minutę

Naudojant elektrinį įrankį, visada reikia imtis svarbiausių atsargumo priemonių, įskaitant nurodytas toliau.

BENDRIEJI SAUGOS NURODYMAI DĖL ELEKTRINIO ĮRANKIO

⚠ ĮSPĖJIMAS. PERSKAITYKITE VISUS SU ŠIUO ELEKTRINIŲ ĮRANKIŲ PATEIKTUS ĮSPĖJIMUS DĖL SAUGOS IR INSTRUKCIJAS, PERŽIŪRĖKITE VISUS PAVEIKSLUS IR SPECIFIKACIJAS. Nesilaikant visų toliau išdėstytų nurodymų galima patirti elektros smūgį, sukelti gaisrą ir (ar) sunkiai susižaloti.

ĮSAUGOKITE VISUS ĮSPĖJIMUS IR NURODYMUS, KAD PRIREIKUS GALĖTUMĖTE PASIŽIURĖTI.

Įspėjimuose vartojamu terminu „elektrinis įrankis“ nurodomas iš elektros lizdo maitinamas (laidinis) arba akumuliatoriumi maitinamas (akumuliatorinis) elektrinis įrankis.

DARBO VIETOS SAUGA

- Darbo vieta turi būti švari ir gerai apšviesta. Netvarkingos ir tamsios vietos dažnai tampa nelaimingų atsitikimų priežastimi.
- Nedirbkite su elektriniais įrankiais sprogioje aplinkoje, pvz., ten, kur yra degių skysčių, benzino arba dulkių. Elektriniai įrankiai kibirkščiuoja, o kibirkštys gali uždegti dulkes arba garus.
- Dirbdami su elektriniu įrankiu, liepkite vaikams ir pašaliniais asmenims būti atokiau. Dėl dėmesį blaškančių asmenų galite nesuvaldyti įrankio.

APSAUGA NUO ELEKTROS

- Elektrinio įrankio kištukas turi tikti elektros lizdai. Niekada jokiū būdu nemodifikuokite kištuko. Įžemintiems elektriniams įrankiams nenaudokite jokių kištukų adapterių. Nemodifikuoti kištukai ir tinkami elektros lizdai sumažina pavojų patirti elektros smūgį.
- Stenkitės nepriesti žemintų paviršių, pvz., vamzdžių, radiatorių, viryklių ir šaldytuvų. Jei jūsų kūnas įžemintas, kyla didesnis pavojus patirti elektros smūgį.

- Saugokite elektrinius įrankius nuo lietaus ir drėgmės. Vandeniui patekus į elektrinį įrankį, padidėja pavojus patirti elektros smūgį.
- Tinkamai elkitės su maitinimo laidu. Niekada neneškite ir netempkite elektrinio įrankio, laikydami už maitinimo laido. Netraukite maitinimo laido, norėdami ištraukti kištuką iš elektros lizdo. Maitinimo laidą laikykite atokiau nuo karščio šaltinio, tepalų, aštrių briaunų ir judančių dalių. Pažeidus arba sunarpliojus laidus, kyla didesnis pavojus patirti elektros smūgį.
- Dirbdami su elektriniu įrankiu lauke, naudokite laukui skirtą ilgintuvą. Naudojant laukui skirtą maitinimo laidą, sumažėja pavojus patirti elektros smūgį.
- Jei nėra galimybės išvengti elektrinio įrankio naudojimo drėgnoje vietoje, naudokite maitinimą, apsaugotą su nuotėkiu rele. Nuotėkiu relė sumažina pavojų patirti elektros smūgį.

ASMENINĖ SAUGA

- Dirbdami su elektriniu įrankiu, būkite budrus, stebėkite ką darote ir vadovaukitės sveika nuovoka. Nedirbkite su elektriniu įrankiu, jei esate pavargę, apsvaigę nuo narkotinių medžiagų, alkoholio arba vaistų. Neatidumo akimirka dirbant su elektriniu įrankiu gali lemti sunkią traumą.
- Naudokite asmenines apsaugos priemones. Visada užsidėkite apsauginius akinius. Tinkamomis sąlygomis naudojamos apsaugos priemonės, pvz., respiratorius, neslidūs apsauginiai batai, šalmas arba ausinės, sumažina pavojų susižaloti.
- Saugokitės atsitiktinio paleidimo. Prieš prijungdami prie maitinimo šaltinio ir (arba) akumuliatoriaus, prieš pakeldami arba nešdami įrankį, įsitinkinkite, ar jungiklis yra išjungimo padėtyje. Nešant elektrinius įrankius uždejus pirštą ant jungiklio arba prijungiant elektrinių įrankių maitinimą, kai jungiklis įjungtas, gali įvykti nelaimingas atsitikimas.
- Prieš įjungdami elektrinį įrankį, patraukite visus reguliavimo raktus ir veržliaraktčius. Palikus veržliaraktį arba raktą uždėtą ant sukamosios elektrinio įrankio dalies, galima susižaloti.
- Nepraraskite pusiausvyros. Visada tvirtai stovėkite ir išlaikykite pusiausvyrą. Taip geriau suvaldysite elektrinį įrankį netikėtose situacijose.
- Tinkamai apsirenkite. Nedėvėkite laisvų drabužių ir nenešiotkite laisvai kabančių papuošalų. Plaukus, drabužius ir pirštines laikykite toliau nuo judančių dalių. Judamosios dalys gali įtraukti laisvus drabužius, papuošalus arba ilgus plaukus.

- Jei yra įtaisai, skirti dulkių nusiurbimo ir surinkimo įrenginiams prijungti, tinkamai prijunkite ir naudokite tuos įrenginius. Naudojant dulkių surinkimo įrenginius, gali sumažėti su dulėmis susijusių pavojų.
- Dažnai naudodami įrankius pernelyg savimi nepasitikėkite ir neprarasite budrumo, kad paisytumėte saugaus įrankio naudojimo taisyklių. Užtenka akimirkos, kad dėl neatsargaus veiksmo sunkiai susižalotumėte.

ELEKTRINIO ĮRANKIO NAUDOJIMAS IR PRIEŽIŪRA

- Nesudarykite per didelės apkrovos elektriniam įrankiui. Naudokite atliekamam darbui tinkamą elektrinį įrankį. Veikdamas numatytoju greičiu, tinkamas elektrinis įrankis darbą atlieka veiksmingiau ir saugiau.
- Nenaudokite elektrinio įrankio, jei jungiklis jo neįjungia arba neišjungia. Bet koks elektrinis įrankis, kurio jungiklis neveikia, yra pavojingas ir jį būtina sutaisyti.
- Prieš reguliuodami elektrinį įrankį, keisdami jo priedus arba padėdami jį į laikymo vietą, atjunkite kištuką nuo maitinimo šaltinio ir (arba) akumuliatorių nuo įrankio. Tokios prevencinės saugos priemonės sumažina pavojų atsitiktinai įjungti elektrinį įrankį.
- Nenaudojamus elektrinius įrankius laikykite vaikams nepasiekiamoje vietoje. Su elektriniu įrankiu neleiskite dirbti asmenims, nesusipažinusiems su įrankiu arba šia instrukcija. Neapmokytų naudotojų naudojami elektriniai įrankiai kelia pavojų.
- Prižiūrėkite elektrinius įrankius. Patikrinkite, ar judamosios dalys suljgiuotos ir nestringa, ar nėra lūžusių dalių, ar nėra kitų sąlygų, galinčių turėti įtakos elektrinio įrankio veikimui. Jei elektrinis įrankis sugadintas, prieš naudodami, jį sutaisykite. Dauguma nelaimingų atsitikimų įvyksta dėl prastai prižiūrimų elektrinių įrankių.
- Prižiūrėkite, kad pjovimo įrankiai būtų aštrūs ir švarūs. Tinkamai prižiūrimi pjovimo įrankiai su aštriais ašmenimis rečiau stringa ir lengviau valdomi.
- Elektrinį įrankį, priedus, antgalius ir kitas dalis naudokite pagal šią instrukciją, atsizvelgdami į darbo sąlygas ir atliktiną darbą. Naudojant elektrinį įrankį ne pagal numatytąją paskirtį, gali susidaryti pavojinga situacija.
- Įrankių rankenos ir sugriebimo paviršiai turi būti sausi, švarūs ir neištepti alyva ar tepalu. Dėl slidžių rankenų ir sugriebimo paviršių įrankį sunku saugiai valdyti ir jis gali išsprūsti netikėtomis aplinkybėmis.

AKUMULIATORINIO ĮRANKIO NAUDOJIMAS IR PRIEŽIŪRA

- Akumuliatorių įkraukite naudodami tik gamintojo nurodytą įkroviklį. Naudojant įkroviklį, skirtą kitam akumuliatorių tipui, gali kilti pavojus sukelti gaisrą.
- Elektrinius įrankius naudokite tik su jiems skirtais akumulatoriais. Naudojant kitokius akumulatorius, gali kilti pavojus susižaloti ir sukelti gaisrą.
- Nenaudojamą akumuliatorių reikia laikyti toliau nuo metalinių daiktų, pvz., sąvaržėlių, monetų, raktų, vinių, varžtų ir kitų smulkių metalinių daiktų, galinčių sujungti akumulatoriaus gnybtus. Įvykus trumpajam jungimui tarp akumulatoriaus gnybtų, galima nudegti ir gali kilti gaisras.
- Dėl netinkamų sąlygų iš akumulatoriaus gali ištekėti skystis – nelieskite jo. Jei netyčia palietėte, nuplaukite vandeniu. Jei skysčio pateko į akis, nuplaukite ir kreipkitės medicininės pagalbos. Iš akumulatoriaus ištekėjęs skystis gali dirginti arba nudeginti.
- Nenaudokite pažeistos ar modifikuotos sudėtinės baterijos ar įrankio. Tokios netinkamos sudėtinės baterijos gali kelti gaisro, sprogdimo ar sužalojimo pavojų.
- Sudėtinės baterijos ar įrankio negalima deginti ar kaitinti. Bateriją deginant ar įkaitinus virš 130 °C ji gali sprogti.
- Laikykitės įrankio ar sudėtinės baterijos įkrovimo instrukcijų ir įkrovimą vykdykite nurodytame temperatūrų diapazone. Priešingu atveju galite sugadinti sudėtinę bateriją ar net sukelti gaisrą.

TECHNINĖ PRIEŽIŪRA

- Jūsų elektrinio įrankio techninės priežiūros darbus gali vykdyti tik kvalifikuotas remonto meistras, naudodamas tik identiškas atsargines dalis. Tokiu būdu elektrinis įrankis išliks saugus.
- Niekada neremontuokite sugadintos sudėtinės baterijos. Tokias baterijas remontuoti gali tik gamintojas arba įgalioto techninės priežiūros centro specialistai.

PRIEŠ NAUDODAMI ŠĮ GAMINĮ, PERSKAITYKITE VISĄ INSTRUKCIJĄ!

APMOKYMAS

- Įrenginio niekada neleiskite naudoti vaikams, fizinei, jutimo ar protinei negalią turintiems arba patirties ir žinių neturintiems asmenims, taip pat žmonėms, nesusipažinusiems su šia instrukcija.

LT

- Operatorius arba naudotojas atsako už nelaimingus atsitikimus ir pavojus, keliamus kitiems žmonėms ar jų turtui.

PASIRUOŠIMAS

- Šį elektrinį įrankį galima naudoti lyjant lietai ar drėgnomis sąlygomis. Pabaigę darbą įrankį išdžiovinkite.
- Prieš naudodami patikrinkite, ar nepažeistos baterijos ar sudėtinės baterijos. Jei baterijos ar sudėtinės baterijos pažeistos, įrankio nenaudokite.

NAUDOJIMAS

- Šį elektrinį įrankį galima naudoti lyjant lietai ar drėgnomis sąlygomis. Pabaigę darbą įrankį išdžiovinkite.
- Atjunkite baterijas ar sudėtinės baterijas:
 1. palikdami įrankį be priežiūros;
 2. prieš patraukdami klūtį;
 3. prieš tikrindami, valydami įrankį arba dirbdami prie jo;
 4. jei įrankis pradeda neįprastai vibruoti.
- Nuožulniose vietose visada atsistokite tvirtai.
- Eikite, niekada nebėkite.
- Prižiūrėkite, kad aušinimo oro angose neprisikauptų šiukšlių.
- Su įrankiu rekomenduojama dirbti deramu laiku – ne anksti ryte ir ne vėlai vakare, kai galite trikdyti aplinkinių žmonių ramybę.
- Dulkojeje aplinkoje rekomenduojama šiek tiek sudrėkinti paviršius arba naudoti dulksnos purškimo priedą.

⚠️ ĮSPĖJIMAS. Besisukančios dalys kelia pavojų!

- Pūstuvo antgalis turi būti visiškai ištrauktas, kad oro srautas būtų arti žemės.
- Nedirbkite su įrankiu arti atvirų langų ir panašių vietų.

TECHNINĖ PRIEŽIŪRA IR LAIKYMAS

- Priveržkite visas varžles, varžtus ir sraigtus, kad įrankį būtų saugu naudoti.
- Pakeiskite susidėvėjusias arba pažeistas dalis.
- Naudokite tik originalias atsargines dalis ir priedus.
- Įrankį laikykite tik sausoje vietoje.

⚠️ ĮSPĖJIMAS. Norėdami sumažinti gaisro, elektros smūgio ir susižalojimo pavojų:

SVARBU

ATIDŽIAI PERSKAITYKITE PRIEŠ NAUDODAMI.

PASILIKITE VĖLESNIAM NAUDOJIMUI.

- Neleiskite naudoti pūstuvo kaip žaislo. Kai naudoja vaikai arba kai naudojamas šalia vaikų, juos reikia atidžiai prižiūrėti.
- Jei pūstuvus neveikia, kaip turėtų veikti, buvo numestas, pažeistas arba įmestas į vandenį, pristatykite jį į techninės priežiūros centrą.
- Nekiškite jokių daiktų į jokias angas. Nenaudokite, jei kuri nors anga užsikimšusi. Saugokite, kad angų neužkimštų dulksės, pūkai, plaukai arba kiti nešvarumai, kurie apribotų oro srautą.
- Būkite itin atsargūs, kai valote stovėdami ant laiptų.
- Nepalikite pūstuvo be priežiūros su prijungtu baterijos kištuku. Išimkite bateriją iš nenaudojamo pūstuvo ir prieš atlikdami techninės priežiūros darbus.
- Neimkite įkroviklio, įskaitant įkroviklio kištuką ir gnybtus, šlapiomis rankomis.
- Nebandykite įkrauti sudėtinės baterijos lauke.

⚠️ ĮSPĖJIMAS.

- Prieš išmetant įrankį į metalo laužą, būtina išimti sudėtinę bateriją.
- Bateriją reikia saugiai utilizuoti.

- **NEBANDYKITE** valyti užsikimšusio įrankio prieš tai neišėmę baterijos.
- Pūstuvus ir jo rankena būtų sausi, švarūs ir neištepti alyva ar tepalu. Visada valykite švaria šluoste. Pūstuvo niekada nevalykite stabdžių skysčiu, benzinu, naftos produktais arba stipriais tirpikliais. Laikantis šios nurodymo sumažėja pavojus nesuvaldyti įrankio ir pažeisti plastikinį korpusą.
- **Baterijos gali sprogti, jei netoliese yra uždegimo šaltinis, pvz., dujų degiklis.** Kad sumažintumėte pavojų sunkiai susižaloti, niekada nenaudokite jokių bėlaidžių elektrinių gaminių šalia atviros liepsnos. Sproguos baterijai gali pasklisti nuolaužo ir cheminės medžiagos. Jei taip nutiktų, tas vietas nedelsdami nuplaukite vandeniu.
- **Niekada įrankio nenaudokite nepritvirtinę reikiamos įrangos.** Visada pritvirtinkite pūstuvo vamzdį.
- **Niekada nenaudokite pūstuvo arti ugnies ar įkaitusių pelenų.** Naudojant arti ugnies ar pelenų gali kilti gaisras ir galima sunkiai susižaloti ir (ar) sugadinti turtą.

- Pūstuvo niekada nenaudokite cheminiams preparatams, trašoms arba kitokioms nuodingoms medžiagoms paskleisti. Paskleisus tokias medžiagas gali sunkiai apsinuodyti pats operatorius arba pašaliniai asmenys.
- Išsaugokite šią instrukciją. Dažnai ją paskaitykite ir panaudokite kitiems asmenims, kuriems patikėsite įrankį, apmokyti. Skolindami įrankį kitiems asmenims, paskolinkite ir šią instrukciją, kad jie tinkamai gaminį naudotų ir nesusižalotų.

IŠSAUGOKITE ŠIĄ INSTRUKCIJĄ!

SPECIFIKACIJA

Įtampa	56 V
Didžiausias oro debitas	1020 m ³ /h
Didžiausias oro greitis	232 km/h
Maksimali ventilatoriaus galia	19 N
Rekomenduojama darbinė temperatūra	Nuo -15 °C iki 40 °C
Rekomenduojama sandėliavimo temperatūra	Nuo -20 °C iki 70 °C
Apytikslis veikimo laikas (su 56 V 5,0 Ah talpos akumuliatoriumi EGO)	15 min (Pastiprinto pūtimo:)
	22 min (dideli sūkiai)
	120 min (Maži sūkiai)
Pūstuvo svoris (be akumuliatoriaus, su vamzdžiu)	5,7 kg
Išmatuotas garso galios lygis L _{WA}	94,6 dB(A) K=0,8 dB(A)
Garso slėgio lygis ties operatoriaus ausimi L _{PA}	82 dB(A) K=2,5 dB(A)
Garantuojamas garso galios lygis L _{WA} (išmatuotas pagal 2000/14/EB)	95 dB(A)
Vibracija a _n	0,522 m/s ² K=1,5 m/s ²

- Nurodyta bendroji vibracijos vertė išmatuota taikant standartinį bandymo metodą, todėl pagal ją galima palyginti skirtingus įrenginius.
- Nurodytą bendrąją vibracijos vertę taip pat galima naudoti pirminiam poveikio vertinimui.

PASTABA. Naudojant įrankį realiomis sąlygomis, sklaidžiamos vibracijos stiprumo vertė gali skirtis nuo nurodytos. Kad apsisaugotų dirbdamas realiomis sąlygomis, naudotojas turi mūvēti pirštines ir naudoti ausų apsaugos priemones.

PAKUOTĖS TURINIO SĄRAŠAS

DALIES PAVADINIMAS	SKAIČIUS
Pūstuvas	1
Pūstuvo vamzdis	3
Naudojimo instrukcija	1

APRAŠAS

PAŽINKITE PŪSTUVĄ (A & B pav.)

1. Rankena
2. Akumuliatoriaus atlaisvinimo mygtukas
3. Užraktas
4. Elektros kontaktai
5. Išstūmimo mechanizmas
6. Oro įsiurbimo anga
7. Priekinis vamzdis (Lenktas, plokščias vamzdis)
8. Oro išėjimo anga
9. Priekinis vamzdis (Cilindrinis vamzdis)
10. Vidurinis vamzdis
11. Valdymo rankenėlė
12. Reguluojamų laikymo diržų kompleksas
13. Pūstuvo vamzdžio laikymo išsikišimas
14. Pastiprinto pūtimo mygtukas
15. Greičio / užrakto ratukas
16. Oro greičio paleidiklis
17. Sparnuotoji veržlė
18. Vamzdžio pakabinimo griovelis

⚠️ ĮSPĖJIMAS. Norint saugiai naudoti šį gaminį, reikia suprasti informaciją apie įrankį ir šią naudojimo instrukciją, taip pat išmanyti atliekamą darbą. Prieš naudodami šį gaminį, susipažinkite su visomis naudojimo ypatybėmis ir saugos taisyklėmis.

SURINKIMAS

⚠️ ĮSPĖJIMAS: Jei kurios nors dalys pažeistos arba jų nėra, nenaudokite šio gaminio tol, kol tos dalys nebus pakeistos. Naudojant šį gaminį, kai dalys pažeistos arba jų trūksta, galima sunkiai susižaloti.

⚠️ ĮSPĖJIMAS: Nebandykite modifikuoti šio gaminio arba sukurti priedų, nerekomenduojamų naudoti su šiuo pūstuvu. Visi tokie pakeitimai ir modifikacijos laikomi netinkamu naudojimu. Jie gali lemti pavojingas aplinkybes, dėl kurių galima sunkiai susižaloti.

⚠️ ĮSPĖJIMAS: norėdami išvengti atsitiktinio paleidimo, kuris gali lemti sunkų sužalojimą, visada išimkite akumuliatorių iš įrankio, kai montuojate dalis.

PŪSTUVO VAMZDŽIŲ MONTAVIMAS

1. Pūstuve naudojami trys vamzdeliai: du priekiniai (cilindro formos vamzdelis ir išlenktas plokščias vamzdelis) ir vidurinis vamzdelis.
2. Pradžioje prie vidurinio vamzdelio prijunkite cilindrinį vamzdelį: bet kurį jo griovelį įstatykite į vidurinio vamzdelio iškyšą (D pav.).
3. Stumkite vidurinį vamzdelį pirmyn, kol išsikišimas įslysi į bet kurį griovelį. Po to pasukite vidurinį vamzdelį rodyklės kryptimi, kol išsikišimas užsifiksuos (E pav.).

C ir D pav. pavaizduotų dalių aprašas:

C-1	Cilindrinis vamzdis	D-1	Išsikišimas
C-2	Lenktas, plokščias vamzdis	D-2	Skirtingų fiksavimo padėčių grioveliai.
C-3	Vidurinis vamzdis		

⚠️ PASTABA: Prieš užsifiksuojant viduriniajam vamzdziai jį sukant pastebėsite įmontuotą stabdiklį, kuris sukuria tam tikrą pasipriešinimą. Sukite vamzdelį už stabdiklio toliau, kol jis visiškai užsifiksuos.

4. Galite sutrumpinti arba pailginti vamzdelį iki reikiamo ilgio užfiksavę vidurinį vamzdelį skirtingose padėtyse (F pav.).

F pav. pavaizduotų elementų aprašas:

F-1	Užfiksuota pirmoje padėtyje
F-2	Užfiksuota antroje padėtyje

5. Tokiu pačiu būdu pritvirtinkite sujungtus vamzdžius prie pūstuvo korpuso.

Laikykites tos pačios surinkimo tvarkos, kai prie pūstuvo tvirtinate išlenktą plokščią vamzdelį.

6. Norėdami nuimti sujungtus vamzdžius nuo pūstuvo korpuso ar atsikirti vamzdžius vieną nuo kito pirmiausiai pasukite vamzdelį atrakinimo kryptimi, kad atkabintumėte skląstį, ir po to tiesiai patraukite tolyn.

NAUDOJIMAS

⚠️ ĮSPĖJIMAS: Net ir susipažinę su šiuo gaminiu, būkite atsargūs. Atsiminkite, kad trumpam atitraukę dėmesį galite sunkiai susižaloti.

⚠️ ĮSPĖJIMAS: Nenaudokite jokių papildomų įtaisų arba priedų, kurių nerekomenduoja šio gaminio gamintojas. Naudojant nerekomenduojamus papildomus įtaisus arba priedus, galima sunkiai susižaloti.

⚠️ ĮSPĖJIMAS: Visada išimkite akumuliatorių iš gaminio, kai montuojate dalis, reguliuojate, valote arba nenaudojate gaminio. Išėmę akumuliatorių, išvengsite atsitiktinio paleidimo, kuris gali lemti sunkų sužalojimą.

Kaskart prieš naudodami gaminį visą jį patikrinkite, ar nesugadintas, ar netrūksta dalių, pavyzdžiui, sraigčių, veržlių, varžtų, dangtelių ir t. t., ar jos neatsilaisvinę. Patikimai priveržkite visas tvirtinimo detales ir dangtelius ir nenaudokite šio gaminio, kol nepakeisite visų trūkstamų ar sugadintų dalių.

PASTABA. Jei netikėtai įvyktų avarinė situacija, tiesiog atsekite sagtį ir išimkite ventiliatorių.

PASKIRTIS

Šį gaminį galima naudoti šiais tikslais:

- kietiems paviršiams, pvz., įvažiavams ir takams, valyti;
- lapams bei pušų spygliams pašalinti nuo aikštelių ir įvažiavimų.

⚠️ PASTABA: Šį įrankį reikia naudoti tik pagal nurodytą paskirtį. Naudojimas bet koku kitu tikslu laikomas netinkamu naudojimu.

AKUMULIATORIAUS ĮDĖJIMAS / IŠĖMIMAS

Prieš naudodami pirmą kartą, įkraukite.

Naudokite tik su A paveiksle nurodytomis sudėtinėmis baterijomis ir įkrovikliais.

⚠️ PASTABA. kad įrankis kuo geriau veiktų, mes rekomenduojame naudoti EGO 56 V akumuliatorių BA2800 (5,0 Ah) arba bet kurią kitą didesnės talpos EGO 56 V akumuliatorių.

- Įdėjimas (H pav.).

Sulygiuokite akumuliatoriaus briaunas su tvirtinimo grioveliais ir spauskite akumuliatorių žemyn tol, kol išgirsite spragtelėjimą.

- Išėmimas (I pav.).

Paspauskite akumuliatoriaus atlaisvinimo mygtuką ir ištraukite akumuliatorių.

⚠️ ĮSPĖJIMAS. Prieš paspausdami akumuliatoriaus atlaisvinimo mygtuką, visada atkreipkite dėmesį į savo kojas, vaikų ir augintinių buvimą vieta. Krišdamas akumuliatorius gali sunkiai sužaloti. NIEKADA nebandykite išimti akumuliatoriaus, kai įrankis yra aukštai.

ANT NUGAROS NEŠIOJAMO PŪSTUVO UŽDĖJIMAS

⚠️ ĮSPĖJIMAS: siekdami sumažinti susižalojimo riziką įrenginio naudojimo metu, tinkamai apsirengkite. Nedėvėkite laisvų drabužių ir nenešiotkite laisvai kabančių papuošalų. Dėvėkite akių ir ausų apsaugas. Mūvėkite tvirtos medžiagos, ilgas kelnes, batus ir pirštines. Nedėvėkite trumpų kelnų, sandalų bei nedirbkite basomis.

Norėdami sureguliuoti laikymo diržus

1. Prakiškite rankas pro kuprinės diržus, kad pūstuvus laikytųsi ant jūsų nugaros.
2. Laikinais sureguliuokite pečių diržus į patogią padėtį (J pav.) ir įsitinkinkite, kad jūsų alkūnė patogioje padėtyje.
3. Užsekite krūtinės sagtį ir, jei reikia, sureguliuokite dirželio ilgį (K pav.).
4. Užsekite juosmens sagtį ir sureguliuokite dirželio ilgį taip, kad kuprinė tvirtai remtųsi į jūsų klubus (L ir M pav.).

PASTABA: Kuprinė neturi būti per aukštai ant nugaros; ji turi būti arčiau klubų, negu pečių.

5. Iš naujo sureguliuokite pečių diržus, kad pūstuvus laikytųsi tvirtai ir saugiai. Įsitinkinkite, kad kuprinė tvirtai remiasi į jūsų nugarą, jos svorį laiko juosmens diržas ir jums judant pūstuvus beveik nejuda ant jūsų nugaros (N pav.).
6. Laisvus juosmens dirželio galus abiejose sagties pusėse įkiškite į tamprias kilpas (O pav.).
7. Norėdami nusiimti pūstuvą nuo nugaros paspausdami atsekite juosmens ir krūtinės sagtis ir nuleiskite pūstuvą (P pav.).

Norėdami sureguliuoti valdymo rankenėlę

1. Atlaisvinkite sparnuotą veržlę, kad galėtumėte pastumti rankenėlę pirmyn ar atgal į reikiamą padėtį (Q ir R pav.), ir po to priverždami sparnuotą veržlę įtvirtinkite rankenėlės padėtį.
2. Kad būtų patogiau, rankenėlę galite pasukti į norimą padėtį (S pav.).
3. Norėdami valyti didesnę sritį kraipykite vamzdį į kairę arba dešinę pusę (T pav.).

PŪSTUVO PALEIDIMAS / IŠJUNGIMAS (U pav.)

Taikoma tik oro greičio paleidikliui

- Nuspauskite oro greičio paleidiklį, norėdami įjungti ventiliatorių.
- Ventiliatoriaus oro greitis valdomas kintamo greičio paleidikliu. Kuo labiau spaudžiamas paleidiklis, tuo didesnis pūtimo greitis; mažiau spaudžiamas paleidiklis - mažesnis pūtimo greitis. Reguliokite greitį, kad jis tiktų atliekamam darbui.
- Atleiskite oro greičio paleidiklį, norėdami išjungti ventiliatorių.

Taikoma tik greičio / užrakto ratukui

Naudojant greičio / užrakto ratuką, ventiliatorių galima įjungti ir užrakinti, kai jis veikia bet kokių greičiu.

- Pasukite greičio / užrakto ratuką pagal laikrodžio rodyklę, norėdami paleisti ventiliatorių. Oro greitis didės sukančiam ratuką pagal laikrodžio rodyklę.
- Norėdami sumažinti oro greitį, sukite greičio / užrakto ratuką prieš laikrodžio rodyklę. Norėdami sustabdyti ventiliatorių, sukite greičio / užrakto ratuką prieš laikrodžio rodyklę iki išjungtos padėties.
- Norėdami sustabdyti ventiliatorių, sukite greičio / užrakto ratuką prieš laikrodžio rodyklę iki išjungtos padėties.

Pastaba: jei greičio / užrakto mygtukas nepasukamas atgal į išjungtą padėtį prieš įjungiant ventiliatorių, ventiliatorius neįsijungs naudojant greičio / užrakto ratuką, kai įdėtas įkrautas akumuliatorius. Tai yra apsauginė funkcija, padedanti išvengti netyčinio paleidimo. Nuspaudus oro greičio mygtuką gali išsijungti apsaugos funkcija.

Kai veikia, paspauskite padidinimo mygtuką, kad laikinai iki maksimumo padidėtų oro greitis. Ventiliatoriaus greitis taps toks pats, koks buvo, kai atleisite padidinimo mygtuką.

U pav. pavaizduotų dalių aprašas:

U-1	Greičio / užrakto ratukas	U-3	Oro greičio paleidiklis
U-2	Pastiprinto pūtimo mygtukas		

PŪSTUVO NAUDOJIMO PATARIMAI

- Kad neišsklaidytumėte šiukšlių, pūskite palei šiukšlių krūvos išorinius kraštus. Niekada nepūskite tiesiai į šiukšlių krūvos vidurį.
- Norėdami sumažinti triukšmo lygį, tuo pat metu naudokite mažiau įrenginių.

- Prieš pūsdami šiukšles, pasklaidykite jas grėbliu arba šluota. Jei įmanoma, dulkejoje aplinkoje šiek tiek sudrėkinkite paviršius vandeniu.
- Būkite atsargūs, kai netoliese yra vaikų, augintinių, atvirų langų arba ką tik nuplautų automobilių, ir šiukšles nupūskite atsargiai.
- Panaudoję pūstuvą arba kitą įrangą, ją nuvalykite! Šiukšles tinkamai sunaikinkite.
- Pūstuvo nerekomenduojama ilgą laiką naudoti, įjungus didelį greitį, nes didelė vibracija ir triukšmas gali pakenkti jūsų sveikatai.

TECHNINĖ PRIEŽIŪRA

⚠ ĮSPĖJIMAS. Atlikdami techninės priežiūros darbus, naudokite tik identiškas atsargines dalis. Naudojant bet kokias kitas dalis, gali kilti pavojus arba sugesti gaminys. Norint užtikrinti saugumą ir patikimumą, visus remonto darbus turi atlikti kvalifikuotas techninės priežiūros specialistas.

⚠ ĮSPĖJIMAS. Visada išimkite akumuliatorių iš gaminio prieš jį valydami arba prieš atlikdami jo techninės priežiūros darbus, kad išvengtumėte pavojaus sunkiai susižaloti.

BENDROJI TECHNINĖ PRIEŽIŪRA

Plastikinių dalių nevalykite tirpikliais. Įvairūs komerciniai tirpikliai gali pažeisti daugelį plastikų ir neturėtų būti naudojami, nes gali sugadinti gaminį. Purvą, dulkes, tepalus, riebalus ir panašius nešvarumus valykite švaramis šluostėmis.

LT

⚠ ĮSPĖJIMAS. Jokių būdu neleiskite stabdžių skysčiui, benziniui, naftos produktams, skvarbiai alyvai ir panašioms medžiagoms patekti ant plastikinių dalių. Chemikalai gali sugadinti, susilpninti arba suardyti plastiką. Dėl to galite sunkiai susižaloti.

LAIKYMAS

- Išimkite akumuliatorių iš pūstuvo.
- Nuvalykite visas pašalines medžiagas nuo pūstuve esančių oro įsiurbimo angų.
- Pūstuvo vamzdžio laikymo išsikišimą sutapdinkite su vamzdžio pakabinimo grioveliu ir pakabinkite vamzdį ant akumuliatoriaus skyriaus korpuso (V ir W pav.).
- Laikykite uždaroje patalpoje, vaikams nepasiekiamoje vietoje. Laikykite toliau nuo édančiųjų medžiagų, pvz., sodo chemikalų ir druskų ledui tirpdyti. Toliau pateiktas V pav. parodytų dalių aprašas.

V-1	Pūstuvo vamzdžio laikymo išsikišimas
V-2	Vamzdžio pakabinimo griovelis

Aplinkos apsauga



Neišmeskite elektros įrangos, akumuliatoriaus įkroviklio ir baterijų / akumuliatorių su buitinėmis atliekomis!

Pagal Europos Parlamento ir Tarybos direktyvas 2012/19/EB ir 2006/66/EB nenaudojama elektros bei elektronikos įranga ir nenaudojami arba sugedę akumuliatoriai ir (arba) baterijos turi būti surenkami atskirai ir išmetami aplinkai nekenkiančiu būdu.

Jei elektriniai prietaisai išmetami į užkasamuosius arba atvirouosius sąvartynus, kenksmingos medžiagos gali prisisunkti iki gruntinio vandens, patekti į mitybos grandinę ir kenkti jūsų sveikatai bei gerovei.

TRIKČIŲ ŠALINIMAS

PROBLEMA	PRIEŽASTIS	SPRENDIMAS
Pūstuvus neveikia.	<ul style="list-style-type: none"> ■ Akumuliatorius neprijungtas prie pūstuvo. ■ Nėra elektrinio kontakto tarp pūstuvo ir akumuliatoriaus. ■ Akumuliatorius visiškai išsekęs. ■ Akumuliatorius arba pūstuvus pernelyg įkaitęs. ■ Greičio / užrakto ratukas nebuvo pasuktas atgal į išjungtą padėtį prieš įjungiant ventilatorių. 	<ul style="list-style-type: none"> ■ Prijunkite akumuliatorių prie pūstuvo. ■ Išimkite akumuliatorių, patikrinkite kontaktus ir vėl įdėkite akumuliatorių. ■ Įkraukite akumuliatorių. ■ Atvėsinkite akumuliatorių, kad jo temperatūra nukristų žemiau 67 °C. ■ Pirmiausia paspauskite oro greičio paleidiklį, norėdami išjungti apsaugą, ir paleiskite ventilatorių arba pasukite greičio / užrakto ratuką į išjungtą padėtį.
Oro srauto greitis labai sumažėjo.	<ul style="list-style-type: none"> ■ Pernelyg susidėvėjęs variklio ventilatorius. ■ Šiukšlės užkimšo oro įsiurbimo angą. 	<ul style="list-style-type: none"> ■ Kreipkitės į EGO techninės priežiūros centrą, kad sutaisytų. ■ Išimkite akumuliatorių ir nuvalykite šiukšles.
Pūstuvus nustoja dirbti padidinto oro srauto režimu.	<ul style="list-style-type: none"> ■ Pūstuvus eikvojo daug baterijos energijos ir įsijungė apsauginis režimas. 	<ul style="list-style-type: none"> ■ Išjunkite pūstuvą pasukdami rankenėlę ir vėl jį paleiskite, kai užges baterijos LED indikatorius. Išimkite sudėtinę bateriją ir vėl ją įstatykite, o po to paleiskite pūstuvą.

GARANTIJA

EGO GARANTINIS POLISAS

Norėdami sužinoti visas EGO garantinio poliso sąlygas, apsilankykite interneto svetainėje egopowerplus.com.

LT

IZLASIET VISAS INSTRUKCIJAS!



IZLASIET EKSPLOATĀCIJAS INSTRUKCIJU

PIEZĪME: Šīs instrukcijas ir pieejamas arī citā veidā, piemēram, tīmekļa vietnē.

⚠️ Atlikušais risks! Cilvēkiem ar elektroniskām ierīcēm, piemēram, elektrokardiosimulatoru, pirms šī produkta lietošanas jākonsultējas ar savu(-iem) ārstu(-iem). Elektrisko iekārtu darbība elektrokardiosimulatora tuvumā var izraisīt tā darbības traucējumus vai apstāšanos.

⚠️ BRĪDINĀJUMS: Lai garantētu drošību un uzticamību, visi remontdarbi un detaļu maiņas darbi jāveic kvalificētam servisa speciālistam.

DROŠĪBAS SIMBOLI

Drošības simbolu mērķis ir piesaistīt jūsu uzmanību iespējamām briesmām. Lūdzu, rūpīgi izpētiet un izprotiet drošības simbolus un to skaidrojumus. Brīdinājumu simboli paši par sevi nenovērš nekādu apdraudējumu. To sniegtie norādījumi un brīdinājumi neaizstāj īstus negadījumu novēršanas pasākumus.

⚠️ BRĪDINĀJUMS: Noteikti izlasiet un izprotiet visus drošības norādījumus šajā ekspluatācijas rokasgrāmatā, ieskaitot visus drošības brīdinājuma simbolus, kā **"BĪSTAMI"**, **"BRĪDINĀJUMS"** un **"UZMANĪBU!"** pirms šīs ierīces lietošanas. Tālāk norādīto norādījumu neievērošana var izraisīt elektrošoku, ugunsgrēku un/vai smagus miesas bojājumus.

LV

BOJĀJUMU NOVĒRŠANA UN INFORMĀCIJAS ZIŅOJUMI

Tie informē lietotāju par svarīgu informāciju un/vai instrukcijām, kas neievērošanas gadījumā varētu novest pie aprīkojuma vai cita īpašuma bojājumiem. Katra ziņojuma sākumā ir vārds **"PIEZĪME"**, kā tālāk norādītajā piemērā:

PIEZĪME: Šo instrukciju neievērošanas gadījumā var rasties aprīkojuma vai īpašuma bojājumi.



⚠️ RĪDINĀJUMS. Mehānizēto darbarīku lietošanas laikā acis var iekļūt svešķermeņi, kas savukārt var radīt smagu acu traumu. Pirms mehānizētā darbarīka izmantošanas vienmēr uzlieciet aizsargbrilles vai aizsargbrilles ar sānu aizsargiem un pilnu sejas aizsargu (ja nepieciešams). Uz parastajām brillēm vai standartā aizsargbrillēm ar sānu aizsargiem ieteicams uzlikt plata skata leņķa drošības masku.

DROŠĪBAS INSTRUKCIJAS

Šajā lapā attēloti un aprakstīti drošības simboli, kas var būt norādīti uz šī produkta. Izlasiet, izprotiet un ievērojiet visus norādījumus uz instrumenta, pirms mēģināt to samontēt un darbināt.

	Drošības brīdinājums	Piesardzības pasākumi, kas attiecas uz jūsu drošību.
	Nēsājiet aizsargbrilles	Strādājot ar šo ierīci, vienmēr jānēsā aizsargbrilles vai aizsargbrilles ar sānu sargiem un pilna sejas maska.
	Nēsājiet dzirdes aizsardzības līdzekļus	Strādājot ar šo ierīci, vienmēr jānēsā dzirdes aizsardzības līdzekļi.
	Izlasiet ekspluatācijas instrukciju	Lai samazinātu ievainojumu gūšanas risku, lietotājam jāizlasa lietotāja rokasgrāmata.
	Raugieties, lai tuvumā neviena nebūtu	Raugieties, lai vismaz 15 m attālumā neviena nebūtu.
V	Volti	Spriegums
A	Ampēri	Strāva
Hz	Herci	Frekvence (cikli sekundē)
W	Vati	Jauda
min	Minūtes	Laiks
m ³ /h	Kubikmetri stundā	Gaisa tilpums
km/h	Kilometri stundā	Gaisa plūsmas ātrums
	Maiņstrāva	Strāvas veids
	Līdzstrāva	Strāvas veids vai raksturīgās īpašības
n ₀	Brīvgaitas ātrums	Rotācijas ātrums brīvgaitā
... /min	Minūtē	Apgrīzieni minūtē

Lietojot elektroierīci, vienmēr jāievēro pamata piesardzības pasākumi, ieskaitot tālāk norādītos.

VISPĀRĒJIE ELEKTROINSTRUMENTU DROŠĪBAS BRĪDINĀJUMI

▲ BRĪDINĀJUMS: IZLASIET VISUS AR ŠO ELEKTROINSTRUMENTU SAISTĪTOS DROŠĪBAS BRĪDINĀJUMUS, NORĀDĪJUMUS, SPECIFIKĀCIJAS UN APLŪKOJIET ATTĒLUS.

Visu turpmāk uzskaitīto norādījumu neievērošana var izraisīt elektriskās strāvas triecienu, aizdegšanos un/vai nopietnas traumas

SAGLABĀJIET VISUS BRĪDINĀJUMUS UN INSTRUKCIJAS TURPMĀKAI IZMANTOŠANAI.

Termins "elektroinstruments" brīdinājumos attiecas uz jūsu elektrotīkla darbināto (vadu) elektroinstrumentu vai akumulatora darbināto (bezvadu) elektroinstrumentu.

DROŠĪBA DARBA VIETĀ

- Turiet darba vietu tīru un labi apgaismotu. Pārblīvētās vai tumšās vietās var notikt nelaimes gadījums.
- Nedarbiniet elektroinstrumentus eksplozīvā vidē, piemēram, uzliesmojošu šķidrumu, benzīna vai putekļu klātbūtnē. Elektroinstruments var radīt dzirksteles, kas var aizdedzināt putekļus vai tvaikus.
- Neļaujiet bērniem un garāmgājējiem atrasties tuvumā, kamēr darbojas elektroinstruments. Uzmanības novēršanas dēļ var zaudēt kontroli.

ELEKTRODROŠĪBA

- Elektroinstrumenta kontaktakšai jāatbilst kontaktlīdzai. Nekad un nekādā veidā nepārveidojiet kontaktakšus. Nelietojiet adaptera kontaktakšas iezemētiem elektroinstrumentiem. Nemodificētas kontaktakšas un atbilstošas kontaktlīdzas samazinās elektrošoka risku.
- Izvairieties no ķermeņa saskares ar iezemētām virsmām, piemēram, caurulēm, radiatoriem, plītiem un ledusskapjiem. Pastāv paaugstināts risks saņemt elektrošoku, ja jūsu ķermenis ir saņemts.
- Nelietojiet elektroinstrumentu lietū vai mitrumā. Elektroinstrumentā iekļuvušais ūdens palielina elektrošoka risku.
- Nevelciet aiz vada. Nekad nenesiet un nevelciet aiz vada vai neraujiet to, lai atvienotu elektroinstrumentu no kontaktlīdzas. Turiet vadu prom no karstuma avotiem, eļļas, asām malām vai kustīgām daļām. Bojāti vai sapinušies vadi var palielināt elektrošoka risku.
- Lietojot elektroinstrumentu ārā, izmantojiet pagarinātāja vadu, kas piemērots izmantošanai ārpus telpām. Lietojot vadu, kas piemērots darbam ārpus telpām, tiek samazināts elektrošoka risks.

- Ja elektroinstrumenta darbināšana mitrā vietā ir neizbēgama, izmantojiet strāvas padevi ar zemslēguma ķēžu pārtraucēja (GFCI) palīdzību. GFCI izmantošana samazina elektrošoka risku.

INDIVIDUĀLĀ DROŠĪBA

- Saglabājiet modrību, skatieties, ko darāt, un izmantojiet veselo saprātu, darbojoties ar elektroinstrumentu. Neizmantojiet elektroinstrumentu, ja esat noguris vai atrodaties narkotiku vai alkohola reibumā vai medikamentu ietekmē. Brīdis neuzmanības, darbojoties ar elektroinstrumentu, var izraisīt nopietnas traumas.
- Lietojiet individuālo aizsardzības aprīkojumu. Vienmēr nēsājiet aizsargbrilles. Aizsardzības aprīkojums, piemēram, putekļu maskas, neslidoši apavi, ķivere vai dzirdes aizsardzības līdzekļi, kas tiek atbilstoši izmantoti, samazinās savainojumu risku.
- Novērsiet elektroinstrumenta patvaļīgu ieslēgšanos. Pārlicinieties, vai slēdzis ir izslēgtā stāvoklī pirms savienojuma izveides ar barošanas avotu un/vai akumulatoru, ceļot vai nesot instrumentu. Pārnēsājot elektroinstrumentu ar pirkstu uz slēdža vai iedarbinot elektroinstrumentu, ieslēgtā stāvoklī, var notikt nelaimes gadījums.
- Pirms elektroinstrumenta iedarbināšanas noņemiet no tā jebkādu regulējošo vai uzgriežņu atslēgu. Uzgriežņu vai regulējošā atslēga, kas atstāta uz kādas rotējošas elektroinstrumenta daļas, var izraisīt savainojumus.
- Neturiet ierīci pārāk tālu. Vienmēr pārlicinieties, ka ir drošs pamats un saglabāiet līdzsvaru. Tas atvieglo kontroli pār elektroinstrumentu neparedzētās situācijās.
- Ģērbieties atbilstoši. Nevalkājiēt valjīgu apģērbus vai rotaslietas. Sargājiet matus, apģērbus un cimdus no kustīgajām daļām. Valjīgs apģērbs, rotaslietas un gari mati var iekerties kustīgajās daļās.
- Ja ierīces ir paredzētas savienošanai atpūteļošanas un savākšanas iekārtām, pārlicinieties, ka tās ir pievienotas pareizi izmantotas. Putekļu iekārtu izmantošana var samazināt ar putekļiem saistītos apdraudējumus.
- Nepieļaujiet, ka instrumentu bieža lietošana varētu izraisīt nevērtīgu attieksmi darbā ar tiem, un neignorējiet ar instrumenta lietošanu saistītos drošības principus. Viens mirklis neuzmanības var izraisīt nopietnas traumas.

LV

ELEKTROINSTRUMENTA LIETOŠANA UN APKOPE

- **Nepārslodiet elektroinstrumentu.** Izmantojiet savai darbībai atbilstošu elektroinstrumentu. Īstais elektroinstrumenta darbu paveiks labāk un drošāk tādā ātrumā, kā paredzēts.
- **Nelietojiet elektroinstrumentu, ja slēdzis to neieslēdz un neizslēdz.** Jebkurš elektroinstrumenta, ko nevar ieslēgt un izslēgt ar slēdzi, ir bīstams, un to nepieciešams remontēt.
- **Atvienojiet kontaktdakšu no barošanas avota un/ vai akumulatoru no elektroinstrumenta pirms jebkādu labojumu veikšanas, piederumu maiņas vai elektroinstrumenta uzglabāšanas.** Šādi aizsardzības pasākumi ļauj samazināt nejaušas elektroinstrumenta darbības uzsākšanas risku.
- **Kad elektroinstrumentu nelietojat, uzglabājiet to bērniem nepieejamā vietā un neļaujiet personām, kas neprot lietot vai nav iepazinušas ar šo rokasgrāmatu, darbināt elektroinstrumentu.** Elektroinstrumenti ir bīstami neapmācītu lietotāju rokās.
- **Veiciet elektroinstrumentu apkopi.** Pārbaudiet, vai kustīgās daļas nav zaudējušas savienojuma precizitāti, vai kāda detaļa nav salūzusi, vai nav kāda cita kļūme, kas var ietekmēt elektroinstrumenta darbību. Ja elektroinstrumenta ir bojāts, lieciet to pirms lietošanas saremontēt. Daudzi nelaimes gadījumi notiek ar slikti apkoptiem elektroinstrumentiem.
- **Uzturiet griezošās daļas uzasinātas un tīras.** Rūpīgi koptas griezošās daļas ar asām griezošajām malām mazāk saķersies un būs vieglāk vadāmas.
- **Lietojiet elektroinstrumentu, piederumus, instrumentus utt. saskaņā ar šiem norādījumiem, ņemot vērā darba apstākļus un veicamo darbu.** Elektroinstrumenta izmantošana darbībām, kas atšķiras no tam paredzētajām, var radīt bīstamu situāciju.
- **Rokturiem un satveršanas daļām jābūt sausiem, tīriem un uz tiem nedrīkst būt eļļa vai smērviela.** Ja rokturi un satveršanas daļas ir mitras, tās slīdēs, un ar instrumentu vairs nebūs droši strādāt, kā arī apvaldīt neparedzētu apstākļu gadījumos.

AKUMULATORA LIETOŠANA UN APKOPE

- **Uzlādējiet tikai ar tādu lādētāju, kādu norādījis ražotājs.** Lādētājs, kas ir piemērots viena veida akumulatoram, var radīt ugunsgrēka risku, ja to izmanto ar citu akumulatoru.
- **Izmantojiet elektroinstrumentiem tikai tiem īpaši paredzētos akumulatorus.** Izmantojot citus akumulatorus, var izraisīt ugunsgrēka vai traumas risku.

- **Ja akumulators netiek lietots, uzglabājiet to prom no citiem metāla priekšmetiem, piemēram, papīra saspraudēm, monētām, atslēgām, naglām, skrūvēm vai citiem maziem metāla priekšmetiem, kas var izveidot savienojumu starp diviem kontaktiem.** Īsslēguma izveidošanās starp akumulatora kontaktiem var izraisīt apdegumus vai ugunsgrēku.
- **Sliktos apstākļos no akumulatora var izlīzt šķidrums; izvairieties no saskares ar to.** Ja saskare nejaūši notikusi, noskalojiet ar ūdeni. Ja šķidrums nonācis acīs, papildus vērsieties pēc medicīniskās palīdzības. Šķidrums, kas iztecējis no akumulatora, var izraisīt kairinājumu vai apdegumus.
- **Nelietojiet bojātu vai pārveidotu akumulatoru bloku vai instrumentu.** Bojātu vai pārveidotu akumulatoru izmantošana var radīt neparedzamus apstākļus, kas rada aizdegšanās, sprādziena vai traumas gūšanas draudus.
- **Nepakļaujiet akumulatoru bloku vai instrumentu uguns liesmu vai pārmērīgas temperatūras iedarbībai.** Uguns liesmu iedarbība vai temperatūra virs 130 °C var izraisīt sprādzienu.
- **Izpildiet visas uzlādēšanas instrukcijas un neuzlādējiet akumulatoru bloku vai instrumentu ārpus instrukcijās norādītajām temperatūras vērtībām.** Ja instruments tiek uzlādēts nepareizi vai tiek pārsniegtas instrukcijās norādītās uzlādēšanas temperatūras vērtības, akumulators var sabojāties un palielināt aizdegšanās risku.

SERVISS

- **Elektroinstrumenta remontdarbus drīkst veikt tikai kvalificēts speciālists, izmantojot tikai oriģinālās rezerves daļas.** Tādējādi tiks garantēts elektroinstrumenta lietošanas drošums.
- **Nekad neveiciet bojātam akumulatoru blokam remontdarbus pašrocīgi.** Bojāta akumulatoru bloka remontdarbus drīkst veikt tikai ražotājs vai pilnvaroti servisa darbinieki.

IZLASIET VISAS INSTRUKCIJAS PIRMS ŠĪ PRODUKTA LIETOŠANAS!

INSTRUMENTA LIETOŠANAS APGŪŠANA

- **Nekad neļaujiet lietot šo ierīci bērniem, personām ar ierobežotām fiziskajām, sensorajām vai garīgajām spējām vai bez pietiekamas pieredzes un zināšanām, vai cilvēkiem, kuri nav iepazinušies ar šīm instrukcijām.**
- **Operators vai lietotājs ir atbildīgs par nelaimes**

gadījumiem vai apdraudējumiem, kas var gadīties citiem cilvēkiem vai viņu īpašumam.

SAGATAVOŠANĀS DARBAM

- Elektroinstrumentu var izmantot lietū vai mitros laikapstākļos. Kad darbs ir pabeigts, nosusiniet elektroinstrumentu.
- Pirms lietošanas pārbaudiet, vai akumulatoram vai baterijām nav kāds bojājums. Nelietojiet ierīci, ja akumulators vai baterijas ir bojāts(-as).

EKSPLUATĀCIJA

- Elektroinstrumentu var izmantot lietū vai mitros laikapstākļos. Kad darbs ir pabeigts, nosusiniet elektroinstrumentu.
- Atvienojiet baterijas vai akumulatorus:
 1. Ikreiz, kad atstājat ierīci;
 2. Pirms nosprostojuma tīrīšanas;
 3. Pirms ierīces pārbaudīšanas, tīrīšanas un apkopes;
 4. Ja ierīce sāk neparasti vibrēt.
- Vienmēr pārliecinieties, vai jums, atrodoties slīpumā, zem kājām ir drošs pamats.
- Ejiet, nekad neskrieniet.
- Raugieties, lai visas dzesēšanas gaisa ieplūdes būtu tīras no gružiem.
- Ieteikums darbināt ierīci tikai pieņemamā diennakts laikā – ne agrī no rīta vai vēlu vakarā, kad tas varētu traucēt cilvēkus.
- Ieteikums puteklainos apstākļos nedaudz samitrināt virsmu vai izmantot miglošanas uzliuku.

⚠ BRĪDINĀJUMS: Rotējošu daļu bīstamība!

- Izmantojiet visu pūtēja sprauslas pagarinājumu, lai gaisa plūsma atrastos tuvu zemei.
- Nedarbiniet ierīci pie atvērtiem logiem utt.

APKOPE UN UZGLABĀŠANA

- Raugieties, lai visi uzgriežņi un skrūves būtu kārtīgi pievilkti garantijai, ka ierīce ir droša un tā ir darba stāvoklī.
- Nomainiet nodilušās vai bojātās daļas.
- Lietojiet tikai oriģinālās rezerves daļas un piederumus.
- Uzglabājiet ierīci tikai sausā vietā.

⚠ BRĪDINĀJUMS: Lai samazinātu ugunsgrēka, elektrošoka vai traumas risku:

SVARĪGI

RŪPĪGI IZLASIET PIRMS LIETOŠANAS.

SAGLABĀJIET TURPMĀKĀM UZZIŅĀM.

- Neļaujiet pūtēju izmantot kā rotaļlietu. Cieša vērība ir nepieciešama, ja to izmanto bērni vai to izmanto bērnu tuvumā.
- Nogādājiet pūtēju uz servisa centru, ja tas nedarbojas, kā vajadzētu, ir nokritis zemē, jebkādā veidā ir bojāts vai ir iekritis ūdenī.
- Nelieciet neko atverēs. Nelietojiet, ja tikusi nobloķēta kāda atvere; raugieties, lai atverēs nebūtu putekļu, pūku, matu vai kā cita, kas var samazināt gaisa plūsmu.
- Strādājiet ar īpašu vērību, tīrot kāpnes.
- Neatstājiet pūtēju bez uzraudzības, ja tajā ir iesprausta kontaktdakša. Kad pūtējs netiek lietots, vai pirms veicat apkopi, izņemiet no tā akumulatoru.
- Nepieskarieties lādētājam, tostarp lādētāja kontaktdakšai vai lādētāja kontaktiem ar mitrām rokām.
- Nelādējiet akumulatoru ārpus telpām.

⚠ BRĪDINĀJUMS:

- Izņemiet akumulatora bloku no instrumenta pirms atbrīvojaties no tā.


- No akumulatora jāatbrīvojas drošā veidā.

- **NEMĒĢINIET** iztīrīt aizsērējumus no ierīces, vispirms neizņemot akumulatoru.
- Uzturiet pūtēju un tā rokturi sausus, tīrus un brīvus no eļļas un smērvielām. Tīrīšanai vienmēr izmantojiet tīru lupatiņu. Nekad lapu pūtēja tīrīšanai neizmantojiet bremžu šķidrums, benzīnu, naftas produktus vai jebkādu citu spēcīgu šķīdinātāju. Ievērojot šo noteikumu, samazināsies risks zaudēt kontroli un norobežojošās plastmasas stāvokļa pasliktināšanās risks.
- Akumulatori var eksplodēt aizdegšanās avotu, piemēram, signāllampīgas, klātbūtnē. Lai samazinātu smagu miesas bojājumu risku, nekad neizmantojiet bezvadu produktu atklātas liesmas tuvumā. Eksplozējis akumulators var izsviest atlūzas un ķīmikālijas. Nonākot ar tām saskarē, tūlīt skalot ar ūdeni.
- Nekad nedarbiniet ierīci bez pienācīga aprikojuma uzstādīšanas. Vienmēr pārliecinieties, lai pūtēja caurule būtu pievienota.

- **Nekad nelietojiet pūtēju ugunsgrēku vai karstu pelnu tuvumā.** Lietošana ugunsgrēku vai pelnu tuvumā var izraisīt ugunsgrēka izplatīšanos un izraisīt nopietnas traumas un/vai īpašuma bojājumus.
- **Nekad neizmantojiet pūtēju, lai izplatītu ķīmiskas vielas, mēslojumu vai citas toksiskas vielas.** Šo vielu izplatīšana var izraisīt nopietnus kaitējumus operatoram vai klātesošajiem.
- **Saglabājiet šo instrukciju.** Vairākkārt pārlasiet un izmantojiet šo instrukciju, lai sniegtu norādījumus citiem, kas izmanto šo ierīci. Ja kādam aizdodāt šo darbarīku, pievienojiet arī šo instrukciju, lai nepieļautu nepareizu darbarīka izmantošanu un traumu rašanos.

SAGLABĀJIET ŠO INSTRUKCIJU!

SPECIFIKĀCIJAS

Spriegums	56 V 
Maximum gaisa tilpums	1020 m ³ /h
Maximum Air Velocity	232 km/h
Maksimālais pūšanas spēks	19 N
Ieteicamā darba temperatūra	-15°C–40°C
Ieteicamā uzglabāšanas temperatūra	-20°C–70°C
Aptuvenais darbības laiks (ar EGO 56V 5,0 Ah akumulatoru)	15 min (Paātrinājums)
	22 min (lielā ātrumā)
	120 min (mazā ātrumā)
Pūtēja svars (bez akumulatora, ar cauruli)	5,7 kg
Izmērītais skaņas intensitātes līmenis L _{WA}	94,6 dB(A) K=0,8 dB(A)
Skaņas spiediena līmenis pie operatora auss L _{PA}	82 dB(A) K=2,5 dB(A)
Garantētais skaņas intensitātes līmenis L _{WA} (izmērīts atbilstoši 2000/14/EK)	95 dB(A)
Vibrācija a _h	0,522 m/s ² K=1,5 m/s ²

LV

- Noteiktā vibrāciju kopējā vērtība tikusi mērīta atbilstoši standarta testēšanas metodei un to var izmantot, lai savā starpā salīdzinātu vienu instrumentu ar otru;
- Noteikto vibrāciju kopējo vērtību var izmantot arī darbības priekšvērtējumam.

PIEZĪME: Vibrācijas emisija elektroinstrumenta faktiskās lietošanas laikā var atšķirties no noteiktās vērtības, kādā šis instruments tiek lietots; Operatora aizsardzībai faktiskās lietošanas apstākļos jāvalkā aizsargcimdi un dzirdes aizsardzības līdzekļi.

IEPAKOJUMA SARAKSTS

DETAĻAS NOSAUKUMS	DAUDZUMS
Pūtējs	1
Pūtēja caurule	3
Ekspluatācijas instrukcija	1

APRAKSTS

IEPAZĪSTIET SAVU PŪTĒJU (A attēls)

1. Rokturis
2. Akumulatora atbrīvošanas poga
3. Aizbīdnis
4. Elektriskie kontakti
5. Izsviešanas mehānisms
6. Gaisa ieplūde
7. Priekšējā caurule (Izliekta caurule ar plakanu uzgali)
8. Gaisa izplūde
9. Priekšējā caurule (Cilindriska caurule)
10. Vidējā caurule
11. Vadības rokturis
12. Regulējams atbalsta stiprinājums
13. Pūtēja — caurules uzglabāšanas poga
14. Paātrinājuma poga
15. Ātruma regulēšanas / bloķēšanas ripa
16. Gaisa pūšanas ātruma pārslēgs
17. Spārnuzgrieznis
18. Caurules uzkares rievja

⚠ BRĪDINĀJUMS: Lai šo produktu varētu droši lietot, nepieciešams izprast informāciju par šo ierīci, kā arī to, kas ir šajā rokasgrāmatā, kā arī nepieciešamas zināšanas par darbu, ko vēlaties veikt. Pirms šī produkta lietošanas, iepazīstieties ar visām darbības funkcijām un drošības noteikumiem.

MONTĀŽA

⚠ BRĪDINĀJUMS! Ja kāda daļa ir bojāta vai trūkst, nedarbiniet šo izstrādājumu, kamēr šādas daļas nav nomainītas. Darbinot šo izstrādājumu ar bojātām vai trūkstošām daļām varat gūt nopietnus ievainojumus.

⚠ BRĪDINĀJUMS! Nemēģiniet pārveidot šo ierīci vai izveidot piederumus, kas nav ieteicami lietošanai kopā ar šo pūtēju. Jebkādi šādi uzlabojumi vai pārveidojumi uzskatāmi par neatbilstošu lietošanu un var radīt bīstamus apstākļus, kas var izraisīt nopietnus ievainojumus.

⚠ BRĪDINĀJUMS! Lai novērstu nejašu ieslēgšanos, kas var izraisīt nopietnus ievainojumus, vienmēr pirms daļu uzstādīšanas izņemiet no instrumenta akumulatoru.

PŪTĒJA CAURUĻU MONTĀŽA

1. Pūtējam ir trīs caurules — divas priekšējās caurules (cilindriska caurule un izliekta caurule ar plakano uzgali) un viena vidējā caurule (C att.).
2. Vispirms piestipriniet cilindrisko cauruli pie vidējās caurules. Salāgojiet cilindriskās caurules rievās ar poga, kura atrodas uz vidējās caurules (D att.).
3. Spiediet vidējo cauruli uz priekšu, kamēr abās rievās nofiksējas poga. Pēc tam grieziet vidējo cauruli buliņas virzienā, līdz poga ieslīd slēdža stāvoklī (E attēls).

C un D attēlā redzamo daļu aprakstu skatiet **ZEMĀK**:

C-1	Cilindriska caurule	D-1	Poga
C-2	Izliekta caurule ar plakano uzgali	D-2	Rievās dažādām bloķēšanas pozīcijām.
C-3	Vidējā caurule		

⚠ PIEZĪME. Pirms grozot nostiprināt vidējo cauruli, Jūs ievērosit, ka tajā ir iestiprināts apturis, kas rada zināmu pretestību. Groziet uz priekšu cauruli garām aptura vietai, līdz tā pilnībā ieslīd bloķēšanas pozīcijā.

4. Caurules garumu var saīsināt vai pagarināt atbilstoši nepieciešamībai, nofiksējot vidējo cauruli dažādās bloķēšanas pozīcijās (F attēls).

F attēla detaļu aprakstu skatīt zemāk:

F-1	Nofiksēta pirmajā bloķēšanas pozīcijā
F-2	Nofiksēta otrajā bloķēšanas pozīcijā

5. Tādā pašā veidā piestipriniet samontēto cauruli pie pūtēja korpusa (G attēls).

Lai pūtējam uzstādītu izliekto cauruli ar plakano uzgali, ievērojiet tādu pašu uzstādīšanas secību.

6. Lai noņemtu samontēto cauruli no pūtēja korpusa vai lai atdalītu abas caurules vienu no otras, vispirms pagrieziet cauruli atbloķēšanas virzienā, lai atbrīvotu sprīdņu, un pēc tam izvelciet cauruli uz āru.

LIETOŠANA

⚠ BRĪDINĀJUMS! Nepieļaujiet, ka pieradums pie darba ar šo izstrādājumu liek Jums zaudēt uzmanību. Atcerieties, ka viens brīdis neuzmanības var izraisīt nopietnas traumas.

⚠ BRĪDINĀJUMS! Nelietojiet pierīces vai piederumus, ko nav ieteicis šī izstrādājuma ražotājs. Šādu neapstiprinātu pierīču vai piederumu lietošana var radīt nopietnus ievainojumus.

⚠ BRĪDINĀJUMS! Vienmēr izņemiet akumulatoru no instrumenta, kad montējat daļas, labojat, tīrāt vai tad, kad instruments netiek lietots. Akumulatora izņemšana ļaus izvairīties no nejaušas iedarbināšanas, kas var izraisīt nopietnus savainojumus,

Pirms katras lietošanas reizes pārbaudiet visu ierīci, vai tā nav bojāta, vai tai netrūkst kādas detaļas vai arī tā nav atskrūvējusies, piemēram, skrūves, uzgriežņi, bultskrūves, vāciņi utt. Stingri pievelciet visus stiprinājumus un vāciņus un nedarbiniet izstrādājumu, kamēr nav nomainītas visas trūkstošās vai bojātās daļas.

PIEZĪME. Lai ārkārtas situācijās gadījumā varētu nekavējoties noņemt pūtēju, atkabiet krūšu daļas siksnas aizdares sprādzi.

PIELIETOJUMS

Šo izstrādājumu var lietot tālāk norādītajiem mērķiem:

- cietu virsmu attīrīšanai, piemēram, piebraucamajiem ceļiem un gājēju celiņiem;
- klāju un piebraucamo ceļu attīrīšanai no lapām un skujuām.

⚠ PIEZĪME. Darbarīku drīkst izmantot tikai aprakstītajam mērķim. Izmantošana jebkādā citā veidā tiks uzskatīta par neatbilstošu lietošanu.

AKUMULATORA UZSTĀDĪŠANA/NOŅEMŠANA

Uzlādējiet pirms pirmās lietošanas.

Izmantojiet tikai A attēlā uzskaitītos akumulatora blokus un lādētājus.

⚠ PIEZĪME! Labākai ierīces darbībai iesakām izmantot EGO 56V akumulatoru BA2800 (5,0 Ah) vai kādu no EGO 56V akumulatoriem ar lielāku jaudu.

■ Uzstādīšana(H attēls)

Novietojiet akumulatora izciļņus vienā līmenī ar lādētāja montāžas gropēm; iebīdīet akumulatoru iekšā, līdz sadzirdat klikšķi.

■ Noņemšana(l attēls)

Nospiediet akumulatora atbrīvošanas pogu un izvelciet akumulatoru ārā.

▲ BRĪDINĀJUMS: Vienmēr pārbaudiet, kāds ir pamats zem kājām un vai tuvumā neatrodas bērni vai dzīvnieki, kad nospiežat akumulatora atbrīvošanas pogu. Ja akumulators nokrīt, var gūt nopietnus savainojumus. NEKAD neizņemiet akumulatoru, kad atrodielies augstumā.

MUGURSOMAS TIPĀ PŪTĒJA NOVIEĻOŠANA

▲ BRĪDINĀJUMS! Gērbieties atbilstīgi, lai mazinātu traumu rašanās draudus, lietojot šo darbarīku. Nevalkājiet vaļīgu apģērbu vai rotaslietas. Izmantojiet acu un dzirdes aizsarglīdzekļus. Valkājiet izturīgas, garas bikses, apavus un cimdus. Nevalkājiet tsās bikses, sandales; neejiet basām kājām.

Lai noregulētu atbalsta stiprinājumu:

1. Izvelciet rokas cauri mugursomas siksnām, lai atbalstītu uz muguras pūtēju.
2. Noregulējiet plecu siksnas sev ērtā pozīcijā (J attēls) tā, lai Jūsu elkonis atrastos ērtā stāvoklī.
3. Satveriet krūšu sprādzi un nepieciešamības gadījumā noregulējiet tās garumu (K attēls).
4. Satveriet vidukļa sprādzi un noregulējiet tās garumu tā, lai mugursoma drošā stāvoklī atbalstītos uz gurniem (L un M attēls).

LV

PIEZĪME. Mugursomai nav jāatrodas pārāk augstu uz muguras; tai jābūt tuvāk pie gurniem nekā pleciem.

5. Vēlreiz noregulējiet plecu siksnas drošības nolūkam un ērtumam. Mugursomai uz muguras jābūt droši piestiprinātai un vidukļa siksnai ir jāatbalsta tās svārs; pārvietošanās laikā neveiciet liekas kustības (N attēls).
6. Atlikušos gurnu jostas galus ieveriet aiz gumijas uz abām pusēm (O attēls).
7. Lai noņemtu darbarīku no muguras, vienkārši nospiediet vidukļa un krūšu sprādes, lai tās atsprādzētos, un nolaidiet uz leju darbarīku (P attēls).

Lai noregulētu vadības rokturi:

1. Lai noregulētu rokturi virzienā uz priekšu vai atpakaļ, atskrūvējiet spārnuzgriezni, kā nepieciešams (Q un R attēls), un pēc tam pievelciet spārnuzgriezni, lai nostiprinātu roktura stāvokli.

2. Lai rokturis būtu ērts, Jūs to varat arī pagriezt (S attēls).

3. Lai palielinātu tīrāmo platību, pārvietojiet cauruli pa kreisi vai pa labi (T attēls).

PŪTĒJA IESLĒGŠANA/IZSLĒGŠANA (U attēls)

Tikai gaisa ātruma pārslēgs

- Lai ieslēgtu pūtēju, nospiediet gaisa ātruma pārslēgu.
- Pūtēja gaisa pūšanas ātrumu regulē ar dažādu ātrumu pārslēgu. Piespiežot pārslēgu stingrāk, rodas lielāks gaisa padeves ātrums; piespiežot mazāk — lēnāks pūšanas ātrums. Pielāgojiet veicamajiem darbiem nepieciešamo ātrumu.
- Lai izslēgtu pūtēju, atlaidiet gaisa pūšanas ātruma pārslēgu.

Tikai ātruma regulēšanas / bloķēšanas ripa

Ar ātruma regulēšanas / bloķēšanas ripu pūtēju var ieslēgt un nobloķēt pie jebkura ātruma.

- Lai ieslēgtu pūtēju, pagriežiet ātruma regulēšanas / bloķēšanas ripu pulksteņrādītāja kustības virzienā. Pagriežot ripu pulksteņrādītāja kustības virzienā, gaisa padeves ātrums kļūs lielāks.
- Lai samazinātu gaisa ātrumu, pagriežiet ātruma regulēšanas / bloķēšanas ripu pretēji pulksteņrādītāja kustības virzienam. Lai apturētu pūtēju, pagriežiet ātruma regulēšanas / bloķēšanas ripu pretēji pulksteņrādītāja kustības virzienam iepretim apturēšanas pozīcijai.
- Lai apturētu pūtēju, pagriežiet ātruma regulēšanas / bloķēšanas ripu pretēji pulksteņrādītāja kustības virzienam iepretim apturēšanas pozīcijai.

Piezīme. Ja pirms pūtēja ieslēgšanas ātruma regulēšanas / bloķēšanas ripa netika pagriežta iepretim apturēšanas pozīcijai, tad pūtēju, pagriežot ātruma regulēšanas / bloķēšanas ripu pēc ievietota uzlādēta akumulatora, nevarēs ieslēgt. Šī ir aizsardzības funkcija, kas palīdz novērst nejašu iedarbināšanu. Gaisa pūšanas ātruma pārslēga nospiešana var deaktivizēt aizsardzību.

Darbības laikā, nospiežot paātrinājuma pogu, gaisa pūšanas ātrumu var īslaicīgi palielināt līdz maksimālajam līmenim. Atlaižot paātrinājuma pogu, pūtējs atsāks darboties iepriekš izvēlētajā ātrumā.

U attēla detaļu aprakstu skatīt zemāk:

U-1	Ātruma regulēšanas / bloķēšanas ripa	U-3	Gaisa pūšanas ātruma pārslēgs
U-2	Paātrinājuma poga		

PŪTĒJA LIETOŠANAS IETEIKUMI

- Lai izvairītos no grūžu izmētāšanas, pūtiēt apkārt grūžu kaudzes ārējām malām. Nekad nepūtiēt tieši kaudzei pa vidu.

- Lai samazinātu trokšņu līmeni, ierobežojiet vienlaicīgi izmantoto iekārtu skaitu.
- Izmantojiet grābekļus un slotas grūžu notīrīšanai pirms pūšanas. Puteklainos apstākļos nedaudz samitriniet virsmu, ja ir pieejams ūdens.
- Raugieties, lai tuvumā nebūtu bērni, dzīvnieki, atvērti logi vai tikko mazgātas automašīnas, lai droši varētu izpūst grūžus.
- Pēc pūtēju vai citu aprīkojuma lietošanas sakopiet! Atbrīvojieties no grūžiem pareizā veidā.
- Pūtēju nav ieteicams izmantot ilgstoši ar lielu ātrumu, jo liela vibrācija un troksnis var kaitēt Jūsu veselībai.

APKOPE

⚠ BRĪDINĀJUMS: Veicot apkopi, izmantojiet tikai identiskas rezerves daļas. Jebkuru citu daļu izmantošana var izraisīt apdraudējumu vai radīt produkta bojājumus. Lai garantētu drošību un uzticamību, visi remontdarbi jāveic kvalificētam servisa speciālistam.

⚠ BRĪDINĀJUMS: Lai izvairītos no nopietnas traumas, vienmēr izņemiet akumulatoru no instrumenta, kad veicat jebkādas tīrīšanas vai apkopes darbus.

VISPĀRĒJĀ APKOPE

Izvairieties izmantot šķīdinātājus, tīrot plastmasas daļas. Vairums plastmasu ir uzņēmīgas pret dažāda veida komerciālu šķīdinātāju bojājumiem un, tos izmantojot, var tikt sabojātas. Lai notīrītu netīrumus, putekļus, eļļu, taukus, utt., izmantojiet tīras lupatiņas.

⚠ BRĪDINĀJUMS: Nekādā gadījumā neļaujiet bremžu šķidrums, benzīnam, naftas produktiem, eļļam utt. nonākt saskarē ar plastmasas daļām. Ķīmikālijas var sabojāt, vājināt vai iznīcināt plastmasu, kas var izraisīt nopietnas traumas.

UZGLABĀŠANA

- Noņemiet pūtēja akumulatoru.
- Notīriet visus svešķermeņus no pūtēja gaisa ievades atverēm.
- Salāgojiet pūtēja — caurules uzglabāšanas pogu ar caurules uzkares rievu un uzkariniet pūtēja cauruli uz akumulatora nodalījuma korpusa (V un W attēls).
- Glabājiet slēgtā, bērniem nepieejamā telpā. Sargājiet no kodīgiem līdzekļiem, piemēram, dārza ķīmikālijām un pret-apledošanas sāļiem.

V attēla detaļu aprakstu skatīt zemāk:

V-1	Pūtēja — caurules uzglabāšanas poga
V-2	Caurules uzkares rievā

Vides aizsardzība



Neutilizējiet elektroiekārtas, akumulatora lādētāju un akumulatoru/uzlādējamus akumulatorus kopā ar sadzīves atkritumiem!

Saskaņā ar Eiropas direktīvu 2012/19/ ES, elektriskās un elektroniskās iekārtas, kas vairs nav izmantojamas, un saskaņā ar Eiropas direktīvu 2006/66/ EK, bojāti vai izmantoti akumulatori/ baterijas jāsavāc atsevišķi un jāutilizē videi draudzīgā veidā.

Ja elektroierīces tiek utilizētas poligonos vai izgāztuvēs, bīstamās vielas var ieplūst gruntsūdeņos un nokļūt pārtikas ķēdē, bojājot jūsu veselību un labsajūtu.

PROBLĒMU NOVĒRŠANA

PROBLĒMA	CĒĻONIS	RISINĀJUMS
Pūtējs nedarbojas.	<ul style="list-style-type: none"> ■ Akumulators nav pievienots pūtējam. ■ Starp pūtēju un akumulatoru nav elektriskā kontakta. ■ Akumulators ir iztukšots. ■ Akumulators vai pūtējs ir pārāk sakarsis. ■ Pirms pūtēja ieslēgšanas ātruma regulēšanas / bloķēšanas rīpa netika pagriezta iepretim apturēšanas pozīcijai. 	<ul style="list-style-type: none"> ■ Ievietojiet akumulatoru pūtējā. ■ Noņemiet akumulatoru, pārbaudiet kontaktus un ievietojiet akumulatoru atpakaļ. ■ Uzlādējiet akumulatoru. ■ Atdzesējiet akumulatoru un pūtēju līdz temperatūra nokrītas zem 67 °C. ■ Lai deaktivizētu aizsardzības funkciju un ieslēgtu pūtēju, vispirms nospiediet gaisa pūšanas ātruma pārslēgu, vai arī pagrieziet ātruma regulēšanas / bloķēšanas rīpu iepretim apturēšanas pozīcijai.
Gaisa plūsmas ātrums ievērojami samazinās.	<ul style="list-style-type: none"> ■ Pārmērīgs motora ventilatora nolietojums. ■ Gaisa ieplūdi bloķē gruži. 	<ul style="list-style-type: none"> ■ Sazinieties ar EGO servisa centru attiecībā uz remontu. ■ Izņemiet akumulatoru, iztīriet grūzus.
Strādājot ar palielinātu ātrumu, pūtējs apstājas.	<ul style="list-style-type: none"> ■ Pūtējs no akumulatora saņem lielu uzlādes strāvu un pārslēdzas pašsargsardzības režīmā. 	<ul style="list-style-type: none"> ■ Izslēdziet grozāmo slēdzi un, kad akumulatora indikators pārstāj degt, vēlreiz ieslēdziet pūtēju. Lai vēlreiz ieslēgtu pūtēju, izvelciet un iespraudiet akumulatora vadu.

GARANTĪJA

LV EGO WARRANTY POLITIKA

Lūdzu, apmeklējiet tīmekļa vietni egopowerplus.com, kur pieejama pilna EGO Garantijas politikas noteikumu un nosacījumu versija.

ΔΙΑΒΑΣΤΕ ΟΛΕΣ ΤΙΣ ΟΔΗΓΙΕΣ!



ΔΙΑΒΑΣΤΕ ΤΟ ΕΓΧΕΙΡΙΔΙΟ ΧΡΗΣΗΣ

ΣΗΜΕΙΩΣΗ: Αυτές οι οδηγίες θα είναι επίσης διαθέσιμες σε εναλλακτική μορφή, π.χ. σε μια ιστοσελίδα.

⚠ Υπολειπόμενοι κίνδυνοι! Άνθρωποι που φέρουν ηλεκτρονικές συσκευές όπως βηματοδότες πρέπει να συμβουλευτούν τους γιατρούς τους πριν τη χρήση αυτού του προϊόντος. Η λειτουργία ηλεκτρικών εξοπλισμών κοντά σε βηματοδότη μπορεί να προκαλέσει παρεμβολές ή βλάβη στον βηματοδότη.

⚠ ΠΡΟΕΙΔΟΠΟΙΗΣΗ: Για να διασφαλίσετε την ασφάλεια και την αξιοπιστία, όλες οι επισκευές πρέπει να διεξάγονται από εξειδικευμένο τεχνικό του σέρβις.

ΣΥΜΒΟΛΑ ΑΣΦΑΛΕΙΑΣ

Ο σκοπός των συμβόλων ασφαλείας είναι να σας τραβήξουν την προσοχή για ενδεχόμενους κινδύνους. Προσέξτε και κατανοήστε τα σύμβολα ασφαλείας και τις επεξηγήσεις που τα συνοδεύουν. Οι προειδοποιήσεις συμβόλων από μόνες τους δεν εξαλείφουν κανέναν κίνδυνο. Οι οδηγίες και οι προειδοποιήσεις που παρέχουν δεν υποκαθιστούν τα μέτρα σωστής πρόληψης ατυχημάτων.

⚠ ΠΡΟΕΙΔΟΠΟΙΗΣΗ: Βεβαιωθείτε ότι έχετε διαβάσει και κατανοήσει όλες τις οδηγίες ασφαλείας στο παρόν Εγχειρίδιο χειριστή, συμπεριλαμβανομένων όλων των συμβόλων ασφαλείας όπως «**ΚΙΝΔΥΝΟΣ**», «**ΠΡΟΕΙΔΟΠΟΙΗΣΗ**» και «**ΠΡΟΣΟΧΗ**», προτού χρησιμοποιήσετε αυτό το εργαλείο. Η μη τήρηση όλων των παρακάτω οδηγιών μπορεί να οδηγήσει σε ηλεκτροπληξία, πυρκαγιά ή/και σοβαρό ατομικό τραυματισμό.

ΠΡΟΛΗΨΗ ΖΗΜΙΑΣ ΚΑΙ ΠΛΗΡΟΦΟΡΙΑΚΑ ΜΗΝΥΜΑΤΑ

Με αυτά ενημερώνεται η χρήστης για σημαντικές πληροφορίες ή/και οδηγίες που θα μπορούσαν να οδηγήσουν σε ζημιά εξοπλισμών ή άλλης ιδιοκτησίας εάν δεν τηρηθούν. Μάθε μήνυμα προηγείται από τη λέξη «**ΣΗΜΕΙΩΣΗ**», όπως στο παράδειγμα παρακάτω:

ΣΗΜΕΙΩΣΗ: Μπορεί να προκύψει ζημιά στον εξοπλισμό ή/και στην ιδιοκτησία εάν δεν τηρούνται αυτές οι οδηγίες.



⚠ ΠΡΟΕΙΔΟΠΟΙΗΣΗ: Η λειτουργία ηλεκτρικών εργαλείων μπορεί να επιφέρει εκτόξευση ξένων αντικειμένων στα μάτια σας, με αποτέλεσμα σοβαρή βλάβη σε αυτά. Προτού ξεκινήσετε τη λειτουργία του ηλεκτρικού εργαλείου φοράτε πάντα προστατευτικά γυαλιά ή γυαλιά με πλευρική προστασία και εφόσον απαιτείται πλήρη προστατευτική προσωπίδα. Συστήνουμε μια προσωπίδα ασφαλείας ευρείας όρασης για χρήση πάνω από γυαλιά ή συνήθη προστατευτικά γυαλιά με πλευρική προστασία.

ΟΔΗΓΙΕΣ ΑΣΦΑΛΕΙΑΣ

Αυτή η σελίδα απεικονίζει και περιγράφει τα σύμβολα ασφαλείας που υπάρχουν ενδεχομένως σε αυτό το προϊόν. Διαβάξτε, κατανοήστε και ακολουθείτε όλες τις οδηγίες στη μηχανή προτού προσπαθήσετε να διεξάγετε εργασίες συναρμολόγησης και λειτουργίας.

	Ειδοποίηση ασφαλείας	Προφυλάξεις που σχετίζονται με την ασφάλειά σας.
	Φοράτε προστατευτικά γυαλιά	Φοράτε πάντοτε προστατευτικά γυαλιά ή γυαλιά ασφαλείας με πλευρική προστασία και πλήρη προστατευτική προσωπίδα κατά τη λειτουργία αυτού του προϊόντος.
	Φοράτε προστατευτικά ακοής	Φοράτε πάντα προστασία ακοής όταν χρησιμοποιείτε αυτό το προϊόν.
	Διαβάστε το εγχειρίδιο χρήσης	Προκειμένου να μειωθεί ο κίνδυνος τραυματισμού, ο χρήστης πρέπει να διαβάσει το εγχειρίδιο χρήσης.
	Διατηρείτε μακριά του παρειυρι σκομμένου	Διατηρείτε όλους τους παρειυρισκομένους σε απόσταση τουλάχιστον 15 μ.
V	Volt	Τάση
A	Amperes	Ρεύμα
Hz	Hertz	Συχνότητα (κύκλοι ανά δευτερόλεπτο)
W	Watt	Ισχύς

GR

min	Λεπτά	Χρόνος
m ³ /h	Κυβικά μέτρα την ώρα	Όγκος αέρα
km/h	Χιλιόμετρα την ώρα	Ταχύτητα αέρα
	Εναλλασσόμενο ρεύμα	Τύπος ρεύματος
	Συνεχές ρεύμα	Τύπος ή χαρακτηριστικό του ρεύματος
n ₀	Ταχύτητα χωρίς φορτίο	Ταχύτητα περιστροφής, χωρίς φορτίο
... /min	Ανά λεπτό	Στροφές ανά λεπτό

Κατά τη χρήση ηλεκτρικών συσκευών, πρέπει να ακολουθούνται πάντα τα βασικά προληπτικά μέτρα συμπεριλαμβανομένων των ακόλουθων:

ΓΕΝΙΚΕΣ ΠΡΟΕΙΔΟΠΟΙΗΣΕΙΣ ΑΣΦΑΛΕΙΑΣ ΓΙΑ ΗΛΕΚΤΡΙΚΑ ΕΡΓΑΛΕΙΑ

▲ ΠΡΟΕΙΔΟΠΟΙΗΣΗ: ΜΕΛΕΤΗΣΤΕ ΟΛΕΣ ΤΙΣ ΠΡΟΕΙΔΟΠΟΙΗΣΕΙΣ ΑΣΦΑΛΕΙΑΣ, ΤΙΣ ΟΔΗΓΙΕΣ, ΤΙΣ ΕΙΚΟΝΕΣ ΚΑΙ ΤΙΣ ΠΡΟΔΙΑΓΡΑΦΕΣ ΠΟΥ ΣΥΝΟΔΕΥΟΥΝ ΑΥΤΟ ΤΟ ΗΛΕΚΤΡΙΚΟ ΕΡΓΑΛΕΙΟ. Εάν δεν τηρηθούν όλες οι οδηγίες που αναφέρονται παρακάτω, μπορεί να προκληθεί ηλεκτροπληξία, πυρκαγιά και/ή σοβαρός τραυματισμός.

ΦΥΛΑΣΣΕΤΕ ΟΛΕΣ ΤΙΣ ΠΡΟΕΙΔΟΠΟΙΗΣΕΙΣ ΚΑΙ ΤΙΣ ΟΔΗΓΙΕΣ ΓΙΑ ΜΕΛΛΟΝΤΙΚΗ ΑΝΑΦΟΡΑ

Ο όρος «ηλεκτρικό εργαλείο» στις προειδοποιήσεις αναφέρεται στο ηλεκτρικό σας εργαλείο που λειτουργεί είτε με σύνδεση στην πρίζα (με καλώδιο) είτε με μπαταρίες (χωρίς καλώδιο).

ΑΣΦΑΛΕΙΑ ΣΤΟ ΧΩΡΟ ΕΡΓΑΣΙΑΣ

- Διατηρείτε τον χώρο εργασίας καθαρό και καλά φωτισμένο. Οι ακατάστατοι χώροι ή οι χώροι με κακό φωτισμό ενισχύουν την πιθανότητα πρόκλησης ατυχημάτων.
- Μη χρησιμοποιείτε ηλεκτρικά εργαλεία σε περιβάλλον με εύφλεκτη ατμόσφαιρα, όπου υπάρχουν εύφλεκτα υγρά, αέρια ή σκόνη. Τα ηλεκτρικά εργαλεία προκαλούν σπινθηρισμούς, οι οποίοι είναι πιθανό να αναφλέξουν τη σκόνη ή τις αναθυμιάσεις.

- Κρατάτε τα παιδιά και τους παρευρισκόμενους σε μακρινή απόσταση όταν λειτουργείτε το ηλεκτρικό εργαλείο. Η απόσπαση της προσοχής σας μπορεί να σας κάνει να χάσετε τον έλεγχο του ηλεκτρικού εργαλείου.

ΗΛΕΚΤΡΙΚΗ ΑΣΦΑΛΕΙΑ

- Το φως του ηλεκτρικού εργαλείου πρέπει να ταιριάζει με την πρίζα. Μη τροποποιείτε ποτέ και με κανέναν τρόπο το φως. Μη χρησιμοποιείτε κανενός είδους βύσματα ανταπτόρων με γειωμένα ηλεκτρικά εργαλεία. Τα μη τροποποιημένα φως και οι κατάλληλες πρίζες μειώνουν τον κίνδυνο ηλεκτροπληξίας.
- Αποφεύγετε την επαφή του σώματός σας με γειωμένες επιφάνειες, όπως σωλήνες, θερμομαντικά σώματα, εστίες και ψυγεία. Υπάρχει αυξημένος κίνδυνος ηλεκτροπληξίας αν το σώμα σας γειωθεί.
- Μη εκθέτετε τα ηλεκτρικά εργαλεία σε βροχή ή συνθήκες υγρασίας. Αν εισχωρήσει νερό μέσα στο ηλεκτρικό εργαλείο θα αυξηθεί ο κίνδυνος ηλεκτροπληξίας.
- Μη κακομεταχειρίζεστε το καλώδιο. Μη χρησιμοποιείτε ποτέ το καλώδιο για να μεταφέρετε, τραβήξετε ή απομακρύνετε από την πρίζα το φορτιστή. Διατηρείτε το καλώδιο μακριά από θερμότητα, λάδια, αιχμηρές γωνίες ή κινούμενα εξαρτήματα. Τα κατεστραμμένα ή μπερδεμένα καλώδια αυξάνουν τον κίνδυνο ηλεκτροπληξίας.
- Όταν χρησιμοποιείτε κάποιο ηλεκτρικό εργαλείο σε εξωτερικό χώρο, χρησιμοποιείτε επέκταση καλωδίου κατάλληλη για εξωτερικούς χώρους. Η χρήση καλωδίου που ενδείκνυται για χρήση σε εξωτερικό χώρο μειώνει τον κίνδυνο ηλεκτροπληξίας.
- Αν η χρήση του ηλεκτρικού εργαλείου σε υγρό περιβάλλον είναι αναπόφευκτη, χρησιμοποιήστε στην τροφοδοσία έναν διακόπτη κυκλώματος βλάβης γείωσης. Η χρήση του διακόπτη GFCI μειώνει τον κίνδυνο ηλεκτροπληξίας.

ΠΡΟΣΩΠΙΚΗ ΑΣΦΑΛΕΙΑ

- Να είστε σε εγρήγορση, να έχετε την προσοχή σας σε αυτό που κάνετε και να χρησιμοποιείτε κοινή λογική κατά τη χρήση ενός ηλεκτρικού εργαλείου. Μη χρησιμοποιείτε ηλεκτρικά εργαλεία όταν είστε κουρασμένοι ή κάτω από την επίρρεια ναρκωτικών, αλκοόλ ή φαρμάκων. Μια στιγμή απροσεξίας κατά τη χρήση του ηλεκτρικού εργαλείου μπορεί να οδηγήσει σε σοβαρό ατομικό τραυματισμό.
- Χρησιμοποιείτε ατομικό προστατευτικό εξοπλισμό. Φοράτε πάντα προστατευτικά γυαλιά. Ο προστατευτικός εξοπλισμός, όπως μάσκα σκόνης, αντιολισθητικά παπούτσια, κράνος ή ωτοπροστασία που χρησιμοποιείται στις κατάλληλες περιστάσεις μειώνει τον κίνδυνο ατομικών τραυματισμών.

- Αποφεύγετε τυχαίο ξεκίνημα. Βεβαιώνετε ότι ο διακόπτης βρίσκεται στη θέση απενεργοποίησης (OFF) πριν συνδέσετε το ηλεκτρικό εργαλείο στο ρεύμα ή/και στην μπαταρία, ή όταν σηκώνετε ή μεταφέρετε το εργαλείο. Η μεταφορά ηλεκτρικών εργαλείων με το δάχτυλο στον διακόπτη ή η σύνδεσή τους στο ρεύμα με το διακόπτη στο ON, αυξάνουν την πιθανότητα πρόκλησης ατυχημάτων.
- Αφαιρείτε όλα τα κλειδιά ρύθμισης και τα μηχανικά κλειδιά πριν θέσετε σε λειτουργία το ηλεκτρικό εργαλείο. Τυχόν εργαλεία ρύθμισης ή μηχανικά κλειδιά σε κάποιο από τα κινούμενα τμήματα του ηλεκτρικού εργαλείου μπορούν να προκαλέσουν ατομικό τραυματισμό.
- Μην υπερεκτείνετε. Πατάτε πάντα σταθερά και διατηρείτε την ισορροπία σας. Έτσι θα έχετε καλύτερο έλεγχο του ηλεκτρικού εργαλείου σε απρόβλεπτες καταστάσεις.
- Ντύνεστε κατάλληλα. Μη φοράτε φαρδιά ρούχα ή κοσμήματα. Κρατάτε τα μαλλιά, τα ρούχα και τα γάντια σας μακριά από τα κινούμενα μέρη. Χαλαρά ρούχα, κοσμήματα ή μακριά μαλλιά μπορεί να εμπλακούν σε κινούμενα μέρη.
- Αν παρέχονται συσκευές για σύνδεση στο σύστημα εξαγωγής ή συλλογής της σκόνης, φροντίστε να τις συνδέσετε και να τις χρησιμοποιήσετε σωστά. Η χρήση συσκευών συλλογής σκόνης μπορεί να μειώσει τους κινδύνους που σχετίζονται με αυτή.
- Ακόμα κι εάν χρησιμοποιείτε συχνά ηλεκτρικά εργαλεία, μην εφησυχάζετε και μην παραβλέπετε τους βασικούς κανόνες ασφαλείας. Μια απρόσεκτη ενέργεια μπορεί να οδηγήσει σε σοβαρό τραυματισμό σε κλάσματα δευτερολέπτου.

ΧΡΗΣΗ ΚΑΙ ΦΡΟΝΤΙΔΑ ΤΟΥ ΕΡΓΑΛΕΙΟΥ

- Μην ασκείτε υπερβολική δύναμη στο ηλεκτρικό εργαλείο. Χρησιμοποιείτε το σωστό ηλεκτρικό εργαλείο για την εργασία σας. Το σωστό ηλεκτρικό εργαλείο θα κάνει την εργασία καλύτερα και ασφαλέστερα στον ρυθμό για τον οποίο έχει σχεδιαστεί.
- Μη χρησιμοποιείτε το ηλεκτρικό εργαλείο αν ο διακόπτης δεν μπορεί να το ενεργοποιήσει και να το απενεργοποιήσει. Οποιοδήποτε ηλεκτρικό εργαλείο που δεν μπορεί να ελεγχθεί με τον διακόπτη είναι επικίνδυνο και πρέπει να επισκευαστεί.
- Αποσυνδέετε το φως από την πρίζα ή/και αφαιρείτε την μπαταρία πριν κάνετε οποιαδήποτε ρύθμιση, αλλάζετε εξαρτήματα ή αποθηκεύσετε το ηλεκτρικό εργαλείο. Αυτά τα προληπτικά μέτρα μειώνουν τον κίνδυνο τυχαίας εκκίνησης του ηλεκτρικού εργαλείου.
- Αποθηκεύετε τα αδρανή ηλεκτρικά εργαλεία μακριά από σημεία όπου έχουν πρόσβαση τα παιδιά και μην αφήνετε άτομα μη εξοικειωμένα με το ηλεκτρικό εργαλείο ή με αυτές τις οδηγίες να χρησιμοποιήσουν το εργαλείο. Τα ηλεκτρικά εργαλεία αποτελούν κίνδυνο όταν χρησιμοποιούνται από ανεκπαίδευτους χρήστες.
- Συντηρείτε σωστά τα ηλεκτρικά εργαλεία. Ελέγχετε για πιθανή κακή ευθυγράμμιση ή εμπλοκή των κινούμενων εξαρτημάτων, σπασμένα μέρη και οποιαδήποτε άλλη κατάσταση που μπορεί να επηρεάσει τη λειτουργία του ηλεκτρικού εργαλείου. Αν το ηλεκτρικό εργαλείο πάθει βλάβη, δώστε το για επισκευή πριν να το χρησιμοποιήσετε πάλι. Πολλά ατυχήματα προκαλούνται από κακώς συντηρημένα ηλεκτρικά εργαλεία.
- Διατηρείτε τα κοπτικά εξαρτήματα αιχμηρά και καθαρά. Τα κοπτικά εργαλεία που έχουν συντηρηθεί σωστά και διαθέτουν αιχμηρές κόψεις είναι λιγότερο πιθανό να μπλοκάρουν, ενώ είναι ευκολότερα στο χειρισμό
- Χρησιμοποιείτε το ηλεκτρικό εργαλείο, τα εξαρτήματα, τις μύτες κλπ. σύμφωνα με αυτές τις οδηγίες, λαμβάνοντας υπόψη τις συνθήκες εργασίας και την προς εκτέλεση εργασία. Η χρήση ενός ηλεκτρικού εργαλείου για λειτουργίες διαφορετικές από αυτές για τις οποίες προορίζεται είναι πιθανόν να οδηγήσει σε επικίνδυνες καταστάσεις.
- Διατηρείτε τις λαβές και τις επιφάνειες συγκράτησης του εργαλείου στεγνές και καθαρές, χωρίς λάδια και γράσα. Εάν γλιστρούν οι λαβές και οι επιφάνειες συγκράτησης δε θα μπορέσετε να χειριστείτε με ασφάλεια το εργαλείο, ούτε θα μπορέσετε να το ελέγξετε εάν προκύψει κάποια απροσδόκητη κατάσταση.

ΧΡΗΣΗ ΚΑΙ ΦΡΟΝΤΙΔΑ ΤΟΥ ΕΡΓΑΛΕΙΟΥ

- Επαναφορτίζετε το εργαλείο μόνο με το φορτιστή που ορίζεται από τον κατασκευαστή. Κάποιοι φορτιστές που είναι κατάλληλοι για έναν τύπο μπαταρίας μπορεί να δημιουργήσει κίνδυνο πυρκαγιάς εάν χρησιμοποιηθεί με άλλον τύπο μπαταρίας.
- Χρησιμοποιείτε τα ηλεκτρικά εργαλεία μόνο με τις μπαταρίες που προορίζονται για αυτά. Η χρήση οποιασδήποτε άλλης μπαταρίας μπορεί να προκαλέσει κίνδυνο τραυματισμού και πυρκαγιάς.
- Όταν η μπαταρία δεν χρησιμοποιείται, φυλάσσετε τη μακριά από μεταλλικά αντικείμενα όπως συνδετήρες, νομίσματα, κλειδιά, καρφιά, βίδες ή άλλα μικρά μεταλλικά αντικείμενα, τα οποία μπορεί να δημιουργήσουν σύνδεση μεταξύ των ακροδεκτών. Το βραχυκύκλωμα των ακροδεκτών της μπαταρίας μεταξύ τους ενδέχεται να προκαλέσει έγκαιρα ή πυρκαγιά.

GR

- Σε συνθήκες κακής χρήσης, μπορεί να εκτοξευτούν υγρά από την μπαταρία. Να αποφεύγετε την επαφή με αυτά. Σε περίπτωση που υπάρξει επαφή κατά λάθος, ξεπλύνετε με νερό. Αν το υγρό έρθει σε επαφή με τα μάτια, αναζητήστε επιπλέον ιατρική βοήθεια. Τα υγρά, τα οποία εκτινάσσονται από την μπαταρία ενδέχεται να προκαλέσουν ερεθισμό ή εγκαύματα.
- Μη χρησιμοποιείτε τη συστοιχία μπαταριών ή το εργαλείο εάν έχουν υποστεί ζημιά ή έχουν τροποποιηθεί. Οι συστοιχίες μπαταριών που έχουν υποστεί ζημιά ή έχουν τροποποιηθεί μπορεί να έχουν απρόβλεπτη συμπεριφορά και να προκληθεί πυρκαγιά, έκρηξη ή τραυματισμός.
- Η συστοιχία μπαταριών και το εργαλείο δεν πρέπει να εκτίθενται σε φωτιά ή υπερβολικά υψηλή θερμοκρασία. Η έκθεση σε φωτιά ή θερμοκρασία πάνω από 130 °C μπορεί να προκαλέσει έκρηξη.
- Τηρείτε όλες τις οδηγίες σχετικά με τη φόρτιση και μη φορτίζετε τη συστοιχία μπαταριών ή το εργαλείο εκτός του εύρους θερμοκρασίας που αναφέρεται στις οδηγίες. Εάν η φόρτιση δε γίνει σωστά ή πραγματοποιηθεί σε θερμοκρασία εκτός του καθορισμένου εύρους, η συστοιχία μπαταριών μπορεί να υποστεί ζημιά και να αυξηθεί ο κίνδυνος πυρκαγιάς.

ΣΕΡΒΙΣ

- Το ηλεκτρικό εργαλείο πρέπει να επισκευάζεται μόνο από πιστοποιημένο επαγγελματία, χρησιμοποιώντας μόνο πανομοιότυπα ανταλλακτικά. Έτσι διασφαλίζεται η ασφαλής λειτουργία του ηλεκτρικού εργαλείου.
- Μην επιχειρήσετε να επισκευάσετε συστοιχία μπαταριών που έχει υποστεί ζημιά. Η συστοιχία μπαταριών πρέπει να επισκευάζεται μόνο από τον κατασκευαστή ή από εξουσιοδοτημένα κέντρα σέρβις.

ΔΙΑΒΑΣΤΕ ΟΛΕΣ ΤΙΣ ΟΔΗΓΙΕΣ ΠΡΟΤΟΥ ΝΑ ΧΡΗΣΙΜΟΠΟΙΗΣΕΤΕ ΑΥΤΟ ΤΟ ΠΡΟΪΟΝ!

ΕΚΠΑΙΔΕΥΣΗ

- Ποτέ μην επιτρέπετε σε παιδιά, άτομα με μειωμένες φυσικές, αισθητηριακές ή νοητικές δυνατότητες ή με έλλειψη εμπειρίας και γνώσεων ή σε άτομα μη εξοικειωμένα με αυτές τις οδηγίες, να χρησιμοποιήσουν το μηχάνημα.
- Ο χρήστης είναι αποκλειστικά υπεύθυνος για τυχόν ατυχήματα ή κινδύνους που θα προκύψουν για άλλα άτομα ή την παρουσία τους.

ΠΡΟΕΤΟΙΜΑΣΙΑ

- Αυτό το ηλεκτρικό εργαλείο μπορεί να χρησιμοποιηθεί υπό βροχή ή υγρές συνθήκες. Σκουπίστε το ηλεκτρικό εργαλείο αφού τελειώσετε την εργασία.
- Πριν από τη χρήση, ελέγχετε τις μπαταρίες ή τις συστοιχίες μπαταριών για ζημιές. Μη χρησιμοποιείτε τη συσκευή εάν οι μπαταρίες ή η συστοιχία μπαταριών έχουν φθορές.

ΛΕΙΤΟΥΡΓΙΑ

- Αυτό το ηλεκτρικό εργαλείο μπορεί να χρησιμοποιηθεί υπό βροχή ή υγρές συνθήκες. Σκουπίστε το ηλεκτρικό εργαλείο αφού τελειώσετε την εργασία.
- Αποσυνδέστε τις μπαταρίες ή τις συστοιχίες μπαταριών:
 1. Όταν απομακρύνετε από το μηχάνημα.
 2. Προτού αποκαταστήσετε ένα μπλοκάρισμα.
 3. Πριν από έλεγχο, καθαρισμό ή άλλη εργασία στη συσκευή.
 4. Εάν η συσκευή αρχίσει να δονείται μη φυσιολογικά.
- Εξασφαλίστε τη σταθερή σας στάση σε κεκλιμένο έδαφος.
- Πάντα να περπατάτε, ποτέ μην τρέχετε.
- Διατηρείτε όλα τα ανοίγματα φύξης απαλλαγμένα από ρύπους.
- Σύσταση για χρήση του μηχανήματος σε λογικές ώρες, όχι νωρίς το πρωί ή αργά το βράδυ, ώστε να μην ενοχλήσετε τους άλλους.
- Συνιστάται η ελαφριά ύγρανση των επιφανειών σε σκονισμένες συνθήκες ή η χρήση προσαρτήματος ψεκαστήρα νερού.

⚠ ΠΡΟΕΙΔΟΠΟΙΗΣΗ: Κίνδυνος περιστρεφόμενων τμημάτων!

- Χρησιμοποιείτε την πλήρη επιμύκνωση του ακροφυσίου φυσστήρα, έτσι ώστε η ροή του αέρα να γίνεται κοντά στο έδαφος.
- Μη χειρίζεστε το μηχάνημα κοντά σε ανοιχτά παράθυρα, κ.λπ.

ΣΥΝΤΗΡΗΣΗ ΚΑΙ ΑΠΟΘΗΚΕΥΣΗ

- Διατηρείτε όλα τα παξιμάδια, τα περικόχλια και τις βίδες καλά συσφιγμένα, έτσι ώστε να εξασφαλιστεί η ασφαλής λειτουργία της συσκευής.

- Αντικαθιστάτε τα φθαρμένα ή κατεστραμμένα εξαρτήματα.
- Χρησιμοποιείτε μόνο γνήσια ανταλλακτικά και εξαρτήματα
- Αποθηκεύετε τη συσκευή σε ξηρό μέρος.

⚠ ΠΡΟΕΙΔΟΠΟΙΗΣΗ: Για να μειώσετε τον κίνδυνο πυρκαγιάς ή ηλεκτροπληξίας:

ΣΗΜΑΝΤΙΚΟ

ΔΙΑΒΑΣΤΕ ΠΡΟΣΕΚΤΙΚΑ ΠΡΙΝ ΑΠΟ ΤΗ ΧΡΗΣΗ.

ΦΥΛΑΞΤΕ ΓΙΑ ΜΕΛΛΟΝΤΙΚΗ ΧΡΗΣΗ.

- Ο φυσητήρας δεν επιτρέπεται να χρησιμοποιηθεί σαν παιχνίδι. Απαιτείται εξαιρετική προσοχή κατά τη χρήση από ή κοντά σε παιδιά.
- Εάν ο φυσητήρας δε λειτουργεί όπως θα έπρεπε, εάν έχει πέσει κάτω, εάν έχει υποστεί ζημιά ή έχει πέσει στο νερό, επιστρέψτε τον σε ένα κέντρο σέρβις.
- Μην τοποθετείτε αντικείμενα μέσα στα ανοίγματα. Να μη χρησιμοποιείται με μπλοκαρισμένα ανοίγματα. Διατηρείτε τα ανοίγματα χωρίς σκόνη, χνούδια, τρίχες και οτιδήποτε άλλο μπορεί να μειώσει τη ροή αέρα.
- Προσέχετε ιδιαίτερα όταν καθαρίζετε σκαλοπάτια.
- Μην αφήνετε το φυσητήρα χωρίς επίβλεψη όταν είναι συνδεδεμένο το βύσμα της μπαταρίας. Αφαιρείτε την μπαταρία όταν δε χρησιμοποιείτε το φυσητήρα και προτού να πραγματοποιήσετε οποιαδήποτε επισκευή.
- Μην αγγίζετε το φορτιστή, το βύσμα του φορτιστή και τους ακροδέκτες του φορτιστή με βρεγμένα χέρια.
- Μη φορτίζετε τη συστοιχία μπαταριών σε εξωτερικό χώρο.

⚠ ΠΡΟΕΙΔΟΠΟΙΗΣΗ:

- Αφαιρέστε την μπαταρία πριν από τη διάθεση της συσκευής.
- Η συστοιχία μπαταριών πρέπει να απορρίπτεται με ασφάλεια.
- **ΜΗΝ** επιχειρήσετε να καθαρίσετε μπλοκαρισματα στη μονάδα χωρίς να έχετε πρώτα απομακρύνει τη μπαταρία.
- Διατηρείτε το φυσητήρα και τη λαβή στεγνά, καθαρά και απομακρύνετε από αυτά τυχόν λάδια και γράσο. Χρησιμοποιείτε πάντα ένα καθαρό πανί κατά τον καθαρισμό. Ποτέ μη χρησιμοποιείτε υγρά

φρένων, βενζίνη, προϊόντα με βάση το πετρέλαιο ή οποιαδήποτε ισχυρά διαλυτικά για τον καθαρισμό του φυσητήρα σας. Τηρώντας αυτό τον κανόνα μειώνεται ο κίνδυνος απώλειας ελέγχου και φθοράς του πλαστικού περιβλήματος.

- **Οι μπαταρίες μπορεί να εκραγούν παρουσία πηγής ανάφλεξης, όπως φλόγιστρου.** Για να μειωθεί ο κίνδυνος σοβαρού τραυματισμού, μη χρησιμοποιείτε ποτέ ασύρματα προϊόντα όταν υπάρχουν ανοικτές φλόγες. Από την έκρηξη μιας μπαταρίας μπορεί να εκσφενδονιστούν μικρά τεμάχια και χημικές ουσίες. Εάν εκτεθείτε σε αυτά, ξεπλύνετε αμέσως με νερό.
- **Ποτέ μη χειρίζεστε τη μονάδα χωρίς να έχετε προσαρτήσει το σωστό εξοπλισμό.** Βεβαιώνετε πάντα ότι ο σωλήνας φυσητήρα είναι εγκατεστημένος.
- **Ποτέ μη χρησιμοποιείτε το φυσητήρα κοντά σε φωτιά ή καυτές στάχτες.** Η χρήση κοντά σε φωτιά ή στάχτες μπορεί να προκαλέσει εξάπλωση της φωτιάς και να επιφέρει σοβαρό τραυματισμό και/ή υλική ζημιά.
- **Ποτέ μη χρησιμοποιείτε το φυσητήρα για την διασπορά χημικών ουσιών, λιπασμάτων ή άλλων τοξικών ουσιών.** Η διασπορά αυτών των ουσιών μπορεί να επιφέρει σοβαρό τραυματισμό στο χειριστή ή σε παρευρισκόμενους.
- **Φυλάξτε αυτές τις οδηγίες.** Ανατρέχετε σε αυτές συχνά και χρησιμοποιείτε τις για να εκπαιδεύετε άλλους που μπορεί να χρησιμοποιήσουν το εργαλείο. Εάν δανείσετε αυτό το εργαλείο σε κάποιον άλλο, δανείστε και αυτές τις οδηγίες, ώστε να αποτρέψετε την εσφαλμένη χρήση του προϊόντος και τον ενδεχόμενο τραυματισμό.

ΦΥΛΑΞΤΕ ΑΥΤΕΣ ΤΙΣ ΟΔΗΓΙΕΣ!

ΠΡΟΔΙΑΓΡΑΦΕΣ

Τάση	56 V
Μέγιστη όγκος αέρα	1020 m ³ /h
Μέγιστη ταχύτητα αέρα	232 km/h
Μέγιστη ισχύς φυσητήρα	19 N
Προτεινόμενη θερμοκρασία λειτουργίας	-15°C-40°C
Προτεινόμενη θερμοκρασία αποθήκευσης	-20°C-70°C

GR

Μέσος όρος χρόνου λειτουργίας (με μπαταρία EGO 56V 5.0 Ah)	15 min (Ενίσχυση)
	22 min (Υψηλή ταχύτητα)
	120 min (Χαμηλή ταχύτητα)
Βάρος φυσητήρα (χωρίς τη συστοιχία μπαταριών, με σωλήνα)	5,7 kg
Μετρημένο επίπεδο ισχύος ήχου L_{WA}	94,6 dB(A) K=0,8 dB(A)
Στάθμη ηχητικής πίεσης στη θέση χειριστή L_{PA}	82 dB(A) K=2,5 dB(A)
Εγγυημένο επίπεδο ισχύος ήχου L_{WA} (σύμφωνα με 2000/14/EC)	95 dB(A)
Δονήσεις a_h	0,522 m/s ² K=1,5 m/s ²

- Η αναφερόμενη συνολική τιμή κραδασμών έχει μετρηθεί σύμφωνα με την πρότυπη μέθοδο ελέγχου και μπορεί να χρησιμοποιηθεί για τη σύγκριση ενός εργαλείου με κάποιο άλλο.
- Η αναφερόμενη συνολική τιμή κραδασμών μπορεί να χρησιμοποιηθεί επίσης για την προκαταρκτική αξιολόγηση της έκθεσης.

ΣΗΜΕΙΩΣΗ: Οι εκπομπές κραδασμών κατά τη διάρκεια της πραγματικής χρήσης του ηλεκτρικού εργαλείου μπορεί να διαφέρουν από τη δηλωμένη τιμή στην οποία χρησιμοποιείται το εργαλείο. Για την προστασία του χειριστή, πρέπει να χρησιμοποιούνται γάντια και προστασία της ακοής στις πραγματικές συνθήκες χρήσης.

GR

ΚΑΤΑΛΟΓΟΣ ΕΞΑΡΤΗΜΑΤΩΝ ΣΥΣΚΕΥΑΣΙΑΣ

ΟΝΟΜΑ ΕΞΑΡΤΗΜΑΤΟΣ	ΠΟΣΟΤΗΤΑ
Φυσητήρας	1
Σωλήνας φυσητήρα	3
Εγχειρίδιο χρήσης	1

ΠΕΡΙΓΡΑΦΗ

ΓΝΩΡΙΣΤΕ ΤΟ ΦΥΣΗΤΗΡΑ ΣΑΣ (Εικ. A & B)

1. λαβή
2. Κουμπί απελευθέρωσης της μπαταρίας
3. Μάνταλο
4. Ηλεκτρικές επαφές

5. Μηχανισμός εκτόξευσης
6. Είσοδος αέρα
7. Μπροστινός σωλήνας (Καμπύλος επίπεδος σωλήνας)
8. Έξοδος αέρα
9. Μπροστινός σωλήνας (Κυλινδρικός σωλήνας)
10. Μεσαίος σωλήνας
11. Λαβή ελέγχου
12. Ρυθμιζόμενος μάντας υποστήριξης
13. Κουμπί αποθήκευσης σωλήνα φυσητήρα
14. Κουμπί ενίσχυσης
15. Ένδειξη ταχύτητας/ασφάλισης
16. Σκανδάλη ταχύτητας αέρα
17. Πεταλούδα
18. Εγκοπή ανάρτησης σωλήνα

⚠ ΠΡΟΕΙΔΟΠΟΙΗΣΗ: Η ασφαλής χρήση του προϊόντος απαιτεί την πλήρη κατανόηση των πληροφοριών που υπάρχουν επάνω στο μηχανήμα, όπως και μέσα στο εγχειρίδιο οδηγιών, όπως και τη γνώση της εργασίας που θα προσπαθήσετε να εκτελέσετε. Πριν από τη χρήση του προϊόντος, εξοικειωθείτε με όλα τα χαρακτηριστικά λειτουργίας, όπως και τους κανόνες ασφαλείας.

ΣΥΝΑΡΜΟΛΟΓΗΣΗ

⚠ ΠΡΟΕΙΔΟΠΟΙΗΣΗ: Σε περίπτωση που κάποια από τα εξαρτήματα έχουν υποστεί ζημιά ή λείπουν, μη χρησιμοποιήσετε το μηχανήμα, μέχρι να αντικατασταθούν. Η χρήση αυτού του προϊόντος με φθαρμένα ή ελλιπή εξαρτήματα μπορεί να έχει σαν αποτέλεσμα σοβαρό ατομικό τραυματισμό.

⚠ ΠΡΟΕΙΔΟΠΟΙΗΣΗ: Μην επιχειρήσετε να τροποποιήσετε αυτό το εργαλείο ή να χρησιμοποιήσετε εξαρτήματα που δεν συστήνονται για χρήση με αυτό το φυσητήρα. Οποιαδήποτε τέτοια μετατροπή ή τροποποίηση μπορεί να προκαλέσει επικίνδυνες συνθήκες με επακόλουθο σοβαρό τραυματισμό.

⚠ ΠΡΟΕΙΔΟΠΟΙΗΣΗ: Για να εμποδίσετε τυχαία εκκίνηση που θα μπορούσε να προκαλέσει σοβαρό ατομικό τραυματισμό, απομακρύνετε πάντα τη συστοιχία μπαταριών από το εργαλείο όταν συναρμολογείτε εξαρτήματα.

ΣΥΝΑΡΜΟΛΟΓΗΣΗ ΤΩΝ ΣΩΛΗΝΩΝ ΦΥΣΗΤΗΡΑ

1. Υπάρχουν τρεις σωλήνες για το φυσητήρα: δύο μπροστινοί σωλήνες (ένας κυλινδρικός σωλήνας & ένας κυρτός επίπεδος σωλήνας) και ένας μεσαίος σωλήνας (Εικ. C).

2. Προσαρτήστε πρώτα τον κυλινδρικό σωλήνα επάνω στο μεσαίο σωλήνα. Ευθυγραμμίστε όλες τις εγκοπές στον κυλινδρικό σωλήνα με το κουμπί στο μεσαίο σωλήνα (Εικ. D).
3. Οθήστε το μεσαίο σωλήνα προς τα εμπρός, έως ότου το κουμπί εμπλακεί στις εγκοπές. Κατόπιν περιστρέψτε το μεσαίο σωλήνα στην κατεύθυνση του βέλους, έως ότου το κουμπί γλιστρήσει μέσα στη θέση ασφάλισης (Εικ. E).

Εικ. C & D Για την περιγραφή των εξαρτημάτων δείτε παρακάτω:

C-1	Κυλινδρικός σωλήνας	D-1	Κουμπί
C-2	Καμπύλος επίπεδος σωλήνας	D-2	Εγκοπές για διαφορετικές θέσεις ασφάλισης
C-3	Μεσαίος σωλήνας		

⚠ ΣΗΜΕΙΩΣΗ: Προτού ασφαλίσει ο μεσαίος σωλήνας στη σωστή θέση κατά την περιστροφή, θα παρατηρήσετε έναν ενσωματωμένο αναστολέα ο οποίος δημιουργεί κάποια αντίσταση. Συνεχίστε την περιστροφή του σωλήνα μετά τον αναστολέα, έως ότου γλιστρήσει εντελώς μέσα στη θέση ασφάλισης.

4. Μπορείτε να κοντύνετε ή μακρύνετε το μήκος σωλήνα ανάλογα με τις προτιμήσεις σας ασφαλιζοντας το μεσαίο σωλήνα σε διαφορετικές θέσεις ασφάλισης (Εικ. F).

Εικ. F Για την περιγραφή των εξαρτημάτων δείτε παρακάτω:

F-1	Ασφάλιση στην πρώτη θέση ασφάλισης
F-2	Ασφάλιση στην δεύτερη θέση ασφάλισης

5. Προσαρτήστε το σετ σωλήνα επάνω στο περίβλημα φυσητήρα με τον ίδιο τρόπο (Εικ. G).

Τηρείτε την ίδια αλληλουχία για τη συναρμολόγηση του κυρτού επιπέδου σωλήνα με το φυσητήρα.

6. Για να απομακρύνετε το σετ σωλήνα από το περίβλημα φυσητήρα ή για να διαχωρίσετε τους δύο σωλήνες, γυρίστε πρώτα το σωλήνα στην κατεύθυνση απασφάλισης για να απεμπλέξετε το μάνταλο και κατόπιν τραβήξτε το σωλήνα ίσια προς τα έξω.

ΛΕΙΤΟΥΡΓΙΑ

⚠ ΠΡΟΕΙΔΟΠΟΙΗΣΗ: Η εξοικειωσή σας με αυτό το προϊόν δε θα πρέπει να σας κάνει λιγότερο προσεκτικούς. Θυμηθείτε πως ένα κλάσμα δευτερολέπτου απροσεξίας μπορεί να προκαλέσει σοβαρό τραυματισμό.

⚠ ΠΡΟΕΙΔΟΠΟΙΗΣΗ: Μη χρησιμοποιείτε εξαρτήματα που δε συνιστώνται από τον κατασκευαστή αυτού του προϊόντος. Η χρήση παρελκόμενων ή εξαρτημάτων που δε συνιστώνται από τον κατασκευαστή, ενέχει τον κίνδυνο σοβαρού τραυματισμού.

⚠ ΠΡΟΕΙΔΟΠΟΙΗΣΗ: Αφαιρείτε πάντα τη συστοιχία μπαταριών από το προϊόν, όταν τοποθετείτε εξαρτήματα, κάνετε ρυθμίσεις, διεξάγετε καθαρισμό ή όταν δεν χρησιμοποιείτε το εργαλείο. Η απομάκρυνση της συστοιχίας μπαταριών εμποδίζει τυχαία εκκίνηση που θα μπορούσε να επιφέρει σοβαρό ατομικό τραυματισμό.

Πριν από κάθε χρήση ελέγχετε όλο το προϊόν για φθαρμένα, ελλιπή ή χαλαρά εξαρτήματα όπως βίδες, παζιμάδια, μπουλόνια, πώματα κ.λπ. Σφίξτε με ασφάλεια όλους τους σφιγκτήρες και τα πώματα και μη θέσετε σε λειτουργία αυτό το προϊόν έως ότου τοποθετηθούν όλα τα ελλιπή ή φθαρμένα εξαρτήματα.

ΣΗΜΕΙΩΣΗ: Εάν προκύψει έκτακτη ανάγκη, αποσυνδέστε το κούμπωμα στήθους ίσια για να βγάλετε το φυσητήρα.

ΕΦΑΡΜΟΓΗ

Μπορείτε να χρησιμοποιήσετε αυτό το προϊόν για τους κατωτέρω αναφερόμενους σκοπούς:

- Καθαρισμός σκληρών επιφανειών όπως δρομάκια και μονοπάτια.
- Απομάκρυνση φύλλων και πευκοβελόνων από δάπεδα και δρομάκια.

⚠ ΣΗΜΕΙΩΣΗ: Το εργαλείο πρέπει να χρησιμοποιείται αποκλειστικά για τη σκοπούμενη χρήση. Οποιαδήποτε άλλη χρήση θα χαρακτηριστεί ως περίπτωση κακής χρήσης.

ΤΟΠΟΘΕΤΗΣΗ/ΑΠΟΜΑΚΡΥΝΣΗ ΤΗΣ ΣΥΣΤΟΙΧΙΑΣ ΜΠΑΤΑΡΙΩΝ

Φορτίστε πλήρως πριν από την πρώτη χρήση.

Να χρησιμοποιείται μόνο με τις συστοιχίες μπαταριών και τους φορτιστές που αναφέρονται στην εικ. Α.

⚠ ΣΗΜΕΙΩΣΗ: Για καλύτερη απόδοση, συστήνουμε τη χρήση της μπαταρίας EGO 56V BA2800 (5,0 Ah) ή οποιασδήποτε μπαταρίας EGO 56V με υψηλότερη απόδοση.

- Για την εγκατάσταση (Εικ. Η)

Ευθυγραμμίστε τις νευρώσεις μπαταρίας με τις οπές τοποθέτησης και πιέστε τη συστοιχία μπαταριών, έως ότου ακούσετε ένα «κλικ».

- Για την απομάκρυνση (Εικ. Ι)

Πιέστε το κουμπί αποδέσμευσης μπαταρίας και βγάλετε έξω τη συστοιχία μπαταριών.

⚠️ ΠΡΟΕΙΔΟΠΟΙΗΣΗ: Να προσέχετε πάντα την τοποθεσία των ποδιών σας, παιδιών ή κατοικιδίων όταν πιέσετε το κουμπί αποδέσμευσης μπαταρίας. Μπορεί να συμβεί σοβαρός τραυματισμός εάν πέσει κάτω η συστοιχία μπαταριών. ΠΟΤΕ μην απομακρύνετε τη συστοιχία μπαταριών σε υψηλότερο σημείο.

ΤΟΠΟΘΕΤΗΣΗ ΤΟΥ ΦΥΣΗΤΗΡΑ ΠΛΑΤΗΣ

⚠️ ΠΡΟΕΙΔΟΠΟΙΗΣΗ: Ντύνεστε κατάλληλα για τη μείωση κινδύνου τραυματισμού κατά τη λειτουργία αυτού του εργαλείου. Μη φοράτε φαρδιά ρούχα ή κοσμήματα. Φοράτε προστατευτικά γυαλιά και προστατευτικό αφτιών/ακοής. Φοράτε βαριά, μακριά παντελόνια, μπότες και γάντια. Μην φοράτε κοντά παντελόνια, σανδάλια και μην είστε ζυπόλυτοι.

Ρύθμιση του ιμάντα υποστήριξης

1. Βάλτε τους βραχίονες σας μέσα από τους ιμάντες πλάτης για να στηρίξετε το φυσητήρα στην πλάτη σας.
2. Ρυθμίστε προσωρινά και τους δύο ιμάντες ώμου σε άνετη θέση (Εικ. J), εξασφαλίζοντας ότι ο αγκώνας σας είναι άνετα.
3. Κλείστε το κούμπωμα στήθους και ρυθμίστε το μήκος του εφόσον απαιτείται (Εικ. K).
4. Κουμπώστε το κούμπωμα μέσης και ρυθμίστε το μήκος του, έτσι ώστε να στηρίζεται με ασφάλεια η διάταξη πλάτης από τους γοφούς σας (Εικ. L & M).

ΣΗΜΕΙΩΣΗ: Η διάταξη πλάτης δεν πρέπει να εδράζεται πολύ ψηλά στην πλάτη σας. Πρέπει να τοποθετείται πιο κοντά στους γοφούς σας παρά στους ώμους σας.

5. Επαναρυθμίστε τους ιμάντες ώμου για ασφάλεια και άνεση. Εξασφαλίστε ότι η διάταξη πλάτης εδράζεται με ασφάλεια στην πλάτη σας, με το βάρος να υποστηρίζεται από τον ιμάντα μέσης και χωρίς υπερβολική κίνηση όταν μετακινείστε (Εικ. N).
6. Αυξήστε το μήκος ιμάντα γύρω από τη μέση σας μέσα στο ελαστικό και στις δύο πλευρές (Εικ. O).
7. Για να αποσπάσετε το εργαλείο από την πλάτη σας απλά πιέστε τα κουμπώματα μέσης και στήθους για να τα αποδεσμεύσετε και χαμηλώστε το εργαλείο (Εικ. P).

Ρύθμιση της λαβής ελέγχου

1. Λασκαρέψτε την πεταλούδα για να ρυθμίσετε τη λαβή προς τα εμπρός ή πίσω όπως απαιτείται (Εικ. Q & R) και κατόπιν σφίξτε την πεταλούδα για να ασφαλίσετε τη θέση της λαβής.
2. Μπορείτε επίσης να περιστρέψετε τη λαβή όπως απαιτείται για άνεση (Εικ. S).

3. Για να μεγεθύνετε τον τομέα που καθαρίζετε, μετακινήστε το σωλήνα στα αριστερά ή δεξιά (Εικ. T).

ΕΚΚΙΝΗΣΗ/ΣΤΑΜΑΤΗΜΑ ΤΟΥ ΦΥΣΗΤΗΡΑ (Εικ. U)

Μόνο σκανδάλη ταχύτητας αέρα

- Πιέστε την σκανδάλη ταχύτητας αέρα για να ενεργοποιήσετε το φυσητήρα.
- Η ταχύτητα αέρα του φυσητήρα ελέγχεται με την σκανδάλη μεταβλητής ταχύτητας. Περισσότερη πίεση στην σκανδάλη επιφέρει υψηλότερες ταχύτητες φυσήματος. Μικρότερη πίεση στην σκανδάλη επιφέρει χαμηλότερη ταχύτητα φυσήματος. Προσαρμόστε την ταχύτητα ώστε να ανταποκρίνεται στην αντίστοιχη εργασία.
- Αποδεσμεύστε την σκανδάλη ταχύτητας αέρα για να απενεργοποιήσετε το φυσητήρα.

Μόνο ένδειξη ταχύτητας/ασφάλισης

Ο φυσητήρας ενεργοποιείται και ασφαλίζει σε οποιαδήποτε ταχύτητα με την ένδειξη ταχύτητας/ασφάλισης.

- Γυρίστε την ένδειξη ταχύτητας/ασφάλισης δεξιόστροφα για να εκκινήσετε το φυσητήρα. Η ταχύτητα αέρα αυξάνεται καθώς η ένδειξη περιστρέφεται δεξιόστροφα.
- Για να μειώσετε την ταχύτητα αέρα, γυρίστε αριστερόστροφα την ένδειξη ταχύτητας/ασφάλισης. Συνεχίστε να περιστρέψετε την ένδειξη ταχύτητας/ασφάλισης αριστερόστροφα στη θέση off για να σταματήσετε το φυσητήρα.
- Συνεχίστε να περιστρέψετε την ένδειξη ταχύτητας/ασφάλισης αριστερόστροφα στη θέση off για να σταματήσετε το φυσητήρα.

Σημείωση: Εάν η ένδειξη ταχύτητας/ασφάλισης δεν γυρίσει πάλι στη θέση off προτού ενεργοποιήσετε το φυσητήρα, ο φυσητήρας δεν θα εκκινήσει μέσω της ένδειξης ταχύτητας/ασφάλισης όταν τοποθετηθεί μια φορτισμένη μπαταρία. Αυτό είναι ένα χαρακτηριστικό προστασίας που βοηθάει στο να εμποδιστεί τυχαία εκκίνηση. Πίεση στη σκανδάλη ταχύτητας αέρα μπορεί να απενεργοποιήσει την προστασία.

Πιέστε το κουμπί ενίσχυσης κατά την εργασία για να αυξήσετε προσωρινά την ταχύτητα αέρα στο μέγιστο επίπεδο. Ο φυσητήρας θα συνεχίσει με την προηγούμενη ταχύτητα όταν αποδεσμευτεί το κουμπί ενίσχυσης.

Εικ. U Για την περιγραφή των εξαρτημάτων δείτε παρακάτω:

U-1	Ένδειξη ταχύτητας/ ασφάλισης	U-3	Σκανδάλη ταχύτητας αέρα
U-2	Κουμπί ενίσχυσης		

ΥΠΟΔΕΞΕΙΣ ΓΙΑ ΧΡΗΣΗ ΤΟΥ ΦΥΣΗΤΗΡΑ

- Για να μην διασκορπιστούν υπολείμματα, φυσάτε γύρω από τις εξωτερικές άκρες μιας στοίβας υπολειμμάτων. Ποτέ μη φυσάτε απευθείας στο κέντρο μιας στοίβας.
- Για μείωση της στάθμης θορύβου, περιορίστε τον αριθμό τεμαχίων εξοπλισμού που χρησιμοποιείται κάθε φορά.
- Χρησιμοποιείτε τσουγκράνες ή σκούπες για να αφρατέψετε τους ρύπους πριν το φύσημα. Σε συνθήκες με σκόνη βρέξτε ελαφρά τις επιφάνειες εάν υπάρχει διαθέσιμο νερό.
- Προσέχετε για παιδιά, κατοικίδια, ανοιχτά παράθυρα ή φρεσκοπλυμένα αυτοκίνητα και φυσάτε τα υπολείμματα με ασφάλεια μακριά.
- Μετά τη χρήση φυσητήρων ή άλλων εξοπλισμών, καθαρίζετε! Απορρίπτετε με σωστό τρόπο τα υπολείμματα.
- Δε συνιστάται η χρήση του φυσητήρα για παρατεταμένο διάστημα σε υψηλή ταχύτητα, αφού η έντονη δόνηση και ο θόρυβος ενδέχεται να βλάψουν την υγεία σας.

ΣΥΝΤΗΡΗΣΗ

⚠ ΠΡΟΕΙΔΟΠΟΙΗΣΗ: Όταν κάνετε συντήρηση του εργαλείου, χρησιμοποιείτε μόνο ίδια ανταλλακτικά. Η χρήση οποιωνδήποτε άλλων εξαρτημάτων μπορεί να προκαλέσει κίνδυνο ή υλικές ζημιές. Για να διασφαλίσετε την ασφάλεια και την αξιοπιστία, όλες οι επισκευές πρέπει να διεξάγονται από εξειδικευμένο τεχνικό του σέρβις.

⚠ ΠΡΟΕΙΔΟΠΟΙΗΣΗ: Για την αποφυγή σοβαρού ατομικού τραυματισμού, αφαιρείτε πάντοτε τη συστοιχία μπαταριών από το προϊόν πριν από τον καθαρισμό του ή πριν από οποιαδήποτε συντήρηση.

ΓΕΝΙΚΗ ΣΥΝΤΗΡΗΣΗ

Αποφύγετε τη χρήση διαλυτών κατά τον καθαρισμό των πλαστικών εξαρτημάτων. Τα περισσότερα πλαστικά είναι ευπαθή στη χρήση διαφόρων τύπων διαλυτών του εμπορίου και καταστρέφονται από τη χρήση τους. Χρησιμοποιείτε καθαρό πανί για την απομάκρυνση βρωμιάς, σκόνης, λαδιού, γράσου κτλ.

⚠ ΠΡΟΕΙΔΟΠΟΙΗΣΗ: Μην αφήσετε σε καμιά στιγμή να έρθουν σε επαφή τα πλαστικά εξαρτήματα με υγρά φρένων, βενζίνη, πετρελαϊκά προϊόντα, διεισδυτικά λάδια κλπ. Τα χημικά μπορούν να φθείρουν, να λεπτύνουν ή να καταστρέψουν τα πλαστικά εξαρτήματα με κίνδυνο σοβαρού τραυματισμού.

ΑΠΟΘΗΚΕΥΣΗ

- Απομακρύνετε τη συστοιχία μπαταριών από το φυσητήρα.
- Καθαρίζετε όλα τα ξένα υλικά από τις εισόδους αέρα του φυσητήρα.
- Ευθυγραμμίστε το κουμπί αποθήκευσης σωλήνα φυσητήρα με την εγκοπή ανάρτησης σωλήνα και αγκιστρώστε το σωλήνα φυσητήρα επάνω στο περίβλημα χώρου μπαταρίας (Εικ. V & W).
- Αποθηκεύστε σε κλειστό χώρο όπου δεν πλησιάζουν παιδιά. Κρατάτε το μακριά από διαβρωτικά προϊόντα, όπως χημικά και αποπαγωτικά άλατα κήπου.

Εικ. V Για την περιγραφή των εξαρτημάτων δείτε παρακάτω:

V-1	Κουμπί αποθήκευσης σωλήνα φυσητήρα
V-2	Εγκοπή ανάρτησης σωλήνα

Προστασία του περιβάλλοντος



Μην απορρίπτετε τους ηλεκτρικούς εξοπλισμούς, το φορτιστή μπαταρίας και τις μπαταρίες/επαναφορτιζόμενες μπαταρίες στα οικιακά απορρίμματα!

Σύμφωνα με τον Ευρωπαϊκό νόμο 2012/19/ΕΕ, οι ηλεκτρικοί και οι ηλεκτρονικοί εξοπλισμοί που δεν χρησιμοποιούνται πλέον και σύμφωνα με τον Ευρωπαϊκό νόμο 2006/66/ΕΚ, οι ελαττωματικές ή χρησιμοποιημένες συστοιχίες μπαταριών/μπαταρίες πρέπει να συλλέγονται ξεχωριστά και να απορρίπτονται με περιβαλλοντικά σωστό τρόπο.

Εάν οι ηλεκτρικές συσκευές απορριφθούν στο ύπαιθρο ή σε χωματερές, τότε είναι πιθανό να διαρρεύσουν επικίνδυνες ουσίες στα υπόγεια ύδατα, με αποτέλεσμα να περάσουν στην τροφική αλυσίδα, προκαλώντας ζημιές στην υγεία και την φυσική σας κατάσταση.

GR

ΑΝΤΙΜΕΤΩΠΙΣΗ ΠΡΟΒΛΗΜΑΤΩΝ

ΠΡΟΒΛΗΜΑ	ΑΙΤΙΑ	ΕΠΙΛΥΣΗ
Ο φυσητήρας δεν λειτουργεί.	<ul style="list-style-type: none"> ■ Η συστοιχία μπαταριών δεν έχει προσαρτηθεί στο φυσητήρα. ■ Δεν υπάρχει ηλεκτρική επαφή μεταξύ του φυσητήρα και της μπαταρίας ■ Η συστοιχία μπαταριών έχει εξαντληθεί. ■ Η συστοιχία μπαταριών ή ο φυσητήρας είναι πολύ καυτά. ■ Η ένδειξη ταχύτητας/ασφάλισης δεν είχε γυρίσει πίσω στη θέση off πριν την ενεργοποίηση του φυσητήρα. 	<ul style="list-style-type: none"> ■ Τοποθετήστε τη συστοιχία μπαταριών στο φυσητήρα. ■ Απομακρύνετε τη μπαταρία, ελέγξτε τις επαφές και επανεγκαταστήστε τη συστοιχία μπαταριών. ■ Φορτίστε τη συστοιχία μπαταριών. ■ Επιτρέψτε η συστοιχία μπαταριών και ο φυσητήρας να κρυώσουν, έως ότου η θερμοκρασία πέσει κάτω από τους 67°C. ■ Πιέστε τη σκανδάλη ταχύτητας αέρα για να απενεργοποιήσετε την προστασία και εκκινήστε το φυσητήρα ή περιστρέψτε την ένδειξη ταχύτητας/ασφάλισης πρώτα στη θέση off.
Η ταχύτητα αέρα μειώνεται σημαντικά.	<ul style="list-style-type: none"> ■ Υπερβολική φθορά του ανεμιστήρα μοτέρ. ■ Η είσοδος αέρα έχει μπλοκαριστεί από υπολείμματα. 	<ul style="list-style-type: none"> ■ Επικοινωνήστε με το κέντρο σέρβις της EGO για επισκευή. ■ Απομακρύνετε τη συστοιχία μπαταριών, καθαρίστε τα υπολείμματα.
Ο φυσητήρας σταματά όταν λειτουργεί στην ταχύτητα ενίσχυσης (boost).	<ul style="list-style-type: none"> ■ Ο φυσητήρας τραβά υψηλό ρεύμα από την μπαταρία και περνά σε λειτουργία αυτοπροστασίας. 	<ul style="list-style-type: none"> ■ Κλείστε το διακόπτη και μετά επανεκκινήστε τον φυσητήρα αφού σβήσει η λυχνία LED της μπαταρίας. Αποσυνδέστε και μετά επανασυνδέστε την μπαταρία για να επανεκκινήσετε τον φυσητήρα.

ΕΓΓΥΗΣΗ

ΠΟΛΙΤΙΚΗ ΕΓΓΥΗΣΗΣ EGO

Επισκεφθείτε την ιστοσελίδα egopowerplus.com για όλους τους όρους και τις προϋποθέσεις της πολιτικής εγγύησης EGO.

GR

TÜM TALIMATLARI OKUYUN!



KULLANMA KILAVUZUNU OKUYUN

UYARI: Bu talimatlara alternatif bir formatta da - örn. web sitesi üzerinden - ulaşılabilir.

⚠️ Artık risk! Kalp pili gibi elektronik cihaz kullanan kişiler bu ürünü kullanmadan önce hekimlerine danışmalıdır. Elektrikli cihazların, kalp pili yakınında çalıştırılması kalp pili parazite veya arızaya neden olabilir.

⚠️ UYARI: Güvenliği ve güvenilirliği sağlamak için, tüm onarımları yetkili bir servis teknisyeni tarafından gerçekleştirilmelidir.

GÜVENLİK SEMBOLLERİ

Güvenlik sembollerinin amacı olası tehlikelere dikkatinizi çekmektir. Güvenlik sembolleri ve yanlarındaki açıklamalar özel dikkat ve anlayış göstermenizi gerektirir. Uyarı sembolleri kendi başlarına herhangi bir tehlikeyi göstermez. Sundukları talimat ve uyarılar uygun kaza önleme önlemlerinin yerine geçmez.

⚠️ UYARI: Bu aleti kullanmadan önce, "TEHLİKE", "UYARI" ve "DİKKAT" gibi tüm güvenlik uyarı ve sembollerini içeren bu Kullanım Kılavuzu içerisindeki tüm güvenlik talimatlarını okuyup anladığınızdan emin olun. Aşağıdaki talimatların tamamına uyulmaması elektrik çarpması, yangın ve/veya ciddi kişisel yaralanma ile sonuçlanabilir.

HASAR ÖNLEME VE BİLGİ MESAJLARI

Bu mesajlar kullanıcıyı önemli bilgiler ve/veya izlenmediği takdirde cihazda veya diğer eşyalarda hasara yol açabilecek talimatlar hakkında bilgilendirir. Aşağıdaki örnekte olduğu gibi, her mesajın başında "UYARI" sözcüğü bulunur:

UYARI: Bu talimatlara uyulmaması cihazda ve/veya diğer eşyalarda hasara yol açabilir.



⚠️ UYARI: Herhangi bir elektrikli aletin kullanımı yabancı nesnelere gözlerinize fırlatılması sonucunu doğurabilir, bu da gözlerde ciddi hasara yol açabilir. Elektrikli aleti kullanmaya başlamadan önce, daima göz koruması veya yan siperleri olan koruyucu gözlük takın ve gerektiğinde tam yüz siperi kullanın. Gözlük üzerine kullanım için Geniş Görüşlü Koruyucu Maske ya da yansiperleri olan standart koruyucu gözlükleri tavsiye ederiz.

GÜVENLİK TALIMATLARI

Bu sayfada, bu ürün üzerinde görülebilecek güvenlik sembolleri gösterilmekte ve açıklanmaktadır. Makineyi monte etmeye ve kullanmaya başlamadan önce, makineye ilişkin tüm talimatları okuyup anlayın ve bu talimatlara uyun.

	Güvenlik Uyarısı	Güvenliğinizle ilgili önlemler.
	Koruyucu Gözlük Takın	Bu ürünü çalıştırırken daima göz koruması, yan siperleri olan koruyucu gözlük ya da tam yüz maskesi kullanın.
	Kulak Koruması Takın	Bu ürünü kullanırken daima kulak koruması kullanın.
	Kullanma Kılavuzunu Okuyun	Yaralanma riskini azaltmak için, kullanma kılavuzu mutlaka okunmalıdır.
	Üçüncü Şahısları Uzak Tutun	Üçüncü şahısları en az 15 metre uzakta tutun.
V	Volt	Voltaj
A	Amper	Akım
Hz	Hertz	Frekans (saniyedeki dönüş sayısı)
W	Watt	Güç
min	Dakika	Zaman
m ³ /h	Saat Başına Metre Küp	Hava hacmi
km/h	Saat Başına Kilometre	Hava hızı
	Alternatif Akım	Akım türü
	Doğru Akım	Akım türü ve özelliği
n ₀	Yüksüz Hız	Yüksüz dönüş hızı
... /min	Dakika Başına	Dakika başına dönüş

Elektrikli cihazları kullanırken aşağıdakiler de dahil olmak üzere temel önlem ve ikazlara mutlaka uyulmalıdır:

ELEKTRİKLİ ALETLER İÇİN GENEL GÜVENLİK UYARILARI

⚠ UYARI: BU ELEKTRİKLİ ALET İLE BİRLİKTE VERİLEN TÜM GÜVENLİK UYARILARINI, TALİMATLARI, ÇİZİMLERİ VE TEKNİK ÖZELLİKLERİ OKUYUN. Aşağıdaki talimatların tamamına uyulmaması elektrik çarpması, yangın ve/veya ciddi yaralanma ile sonuçlanabilir.

Tüm uyarı ve talimatları gelecekte başvuru amacıyla muhafaza edin.

Uyarılarda geçen „elektrikli alet“ terimi ile elektrik prizinden beslenen (kablolu) elektrikli alet veya şarjlı (kablesiz) elektrikli alet kastedilmektedir.

ÇALIŞMA ALANI GÜVENLİĞİ

- Çalışma alanını temiz tutun ve yeterli aydınlatma sağlayın. Karışık veya karanlık alanlar kazalara yol açar.
- Elektrikli aletleri yanıcı sıvı, gaz veya toz vb. içeren patlayıcı ortamlarda çalıştırmayın. Elektrikli aletten çıkan kıvılcıklar toz veya gazları tutuşturabilir.
- Çalışırken çocukları veya üçüncü şahısları elektrikli aletten uzak tutun. Dikkatinizin dağılması kontrolü kaybetmenize neden olabilir.

ELEKTRİK GÜVENLİĞİ

- Elektrikli aletin fişi prize uygun olmalıdır. Fiş üzerinde asla değişiklik yapmayın. Topraklanmış elektrikli aletlerle birlikte adaptör fişlerini kullanmayın. Üzerinde değişiklik yapılmamış fişler ve uygun prizler elektrik çarpmaya tehlikesini azaltacaktır.
- Boru, radyatör, fırınlı ocak ve buzdolabı gibi topraklanmış yüzeylerle temastan kaçınınız. Vücudunuz toprakla temas ederse elektrik çarpmaya riski artar.
- Şarj cihazını yağmur veya ıslak ortamlara maruz bırakmayın. Şarj cihazının içine giren su, elektrik çarpmaya riskini artırır.
- Kabloyu yanlış kullanmayın. Şarj cihazını asla kablodan tutarak taşımayın, kablodan çekmeyin veya kablodan tutarak prizden çıkarmayın. Kabloyu ısı, yağ, keskin kenarlı veya hareketli parçalardan uzak tutun. Hasarlı veya birbirine dolaşmış kablolar elektrik çarpmaya riskini artırır.
- Bir elektrikli aleti açık havada kullanırken, uygun bir dış mekan uzatma kablosu kullanın. Dış mekan için uygun bir kablolu kullanılması elektrik çarpmaya riskini azaltır.
- Elektrikli aletin rutubetli bir ortamda kullanılması gerekiyorsa, kaçak akım rölesi bulunan bir şebeke

kullanın. GFCI (toprak hata devre kesicisi) kullanımı elektrik çarpmaya riskini azaltır.

KİŞİSEL GÜVENLİK

- Elektrikli aletleri kullanırken daima dikkatli olun, yaptığınız işe yoğunlaşın ve sağlıklı davranın. Yorgunken, uyuşturucu, alkol veya ilaçlı tedavi etkisi altındayken elektrikli aleti kullanmayın. Elektrikli aletleri kullanırken bir anlık dikkatsizlik ciddi kişisel yaralanmayla sonuçlanabilir.
- Kişisel koruyucu ekipman kullanın. Daima koruyucu gözlük takın. Koşullara uygun toz maskesi, kaymaz emniyet ayakkabıları, kask veya işitme koruması vb. koruyucu ekipman kullanılması kişisel yaralanmaları azaltır.
- Yanlışlıkla çalıştırmaktan kaçınınız. Aleti güç kaynağına ve/veya pil takımına takmadan, havaya kaldırmadan veya taşımadan önce açma kapama düğmesinin kapalı olduğundan emin olun. Aleti, parmağınızın açma kapama düğmesi üzerinde dururken taşımak veya alet açıkken fişi prize takmak kazalara davetiye çıkarır.
- Elektrikli aleti çalıştırmadan önce ayar veya İngiliz anahtarını çıkarın. Elektrikli aletin döner parçalarına takılı kalmış bir anahtar kişisel yaralanmaya neden olabilir.
- Dengesiz bir duruşla çalışma yapmayın. Çalışma süresince ayaklarınızı sağlam basın ve dengeyi koruyun. Böyle yapılması, beklenmedik durumlarda elektrikli aletin daha iyi kontrol edilmesini sağlar.
- Uygun bir şekilde giyinin. Bol giysiler giymeyin veya takı takmayın. Saçlarınızı, elbiselerinizi ve eldivenlerinizi hareketli parçalardan uzak tutun. Bol giysiler, takılar veya uzun saçlar aletin hareketli parçalarına takılabilir.
- Toz toplayıcı cihaz bağlantıları ve toplama tesisleri olması durumunda, bu bağlantıların düzgün yapılmış ve kullanılıyor olduğundan emin olun. Toz tutucu cihazların kullanımı tozdan kaynaklanabilecek tehlikeleri azaltabilir.
- Aletlerin sık kullanılmasından kaynaklanan aşınalığın sizin boş vermenize ve aletin güvenli prensiplerini görmezden gelmenize neden olmasına izin vermeyin. Dikkatsiz bir hareket, saniyenin binde birindeki bir sürede ağır yaralanmalara neden olabilir.

ELEKTRİKLİ ALET KULLANIMI VE BAKIMI

- Elektrikli aleti zorlamayın. Yaptığınız işe uygun elektrikli aleti kullanın. Doğru elektrikli alet, tasarımına uygun değerlerde kullanıldığında daha iyi ve daha güvenli çalışacaktır.

TR

- **Açma kapama düğmesi çalışmıyorsa elektrikli aleti kullanmayın.** Açma kapama düğmesi ile kontrol edilemeyen bir elektrikli alet tehlikelidir ve onarılması gerekir.
- **Herhangi bir ayar işlemi, aksesuar değişimi veya elektrikli aletlerin saklanması öncesinde fişi prizden çekin ve/veya pil takımını elektrikli aletten çıkarın.** Bu tür önleyici güvenlik önlemleri, elektrikli aletin yanlışlıkla çalışma riskini azaltacaktır..
- **Çalıştırılmayan elektrikli aletleri çocuklardan uzak tutun ve elektrikli aletin kullanımına veya bu talimatlara aşına olmayan kimselerin elektrikli aleti çalıştırmalarına izin vermeyin.** Elektrikli aletler eğitimsiz kullanıcıların elinde tehlikelidir.
- **Elektrikli aletlerin bakımını yapın.** Hareketli parçaların kusursuz olarak işlev görüp görmediğini ve sıkışıp sıkışmadığını, parçaların hasarlı olup olmadığını ve elektrikli aletin çalışmasını etkileyebilecek tüm diğer koşulları kontrol edin. Elektrikli alet hasarlı ise, kullanmadan önce tamir ettirin. Kazaların çoğu, elektrikli alet bakımının yeterli şekilde yapılmamasından kaynaklanır.
- **Kesici aletleri keskin ve temiz tutun.** Keskin kesim kenarlarına sahip, bakımı yapılmış kesim aletleri daha az sorun çıkarır ve kontrolü kolaydır.
- **Elektrikli aleti, aksesuarlarını ve alet uçlarını vb. çalışma şartlarını ve yapılacak işi dikkate alarak bu talimatlara uygun şekilde kullanın.** Elektrikli aletin kullanım amacı dışındaki işlerde kullanılması tehlikeli durumlara neden olabilir.
- **Tutma saplarını ve kavrama yüzeylerini kuru, temiz, benzin ve yağdan uzak tutun.** Kaygan saplar ve kavrama yüzeyleri, aletin beklenmeyen durumlarda güvenli bir şekilde tutulmasına ve kontrol edilmesine izin vermez.

PİLE ÇALIŞAN ALETLERİNİN KULLANIMI VE BAKIMI

TR

- **Sadece üretici tarafından belirtilen şarj cihazı ile şarj edin.** Bir pil takımını için uygun olan şarj cihazı, başka bir pil takımını ile kullanıldığında yangın riski oluşturabilir.
- **Elektrikli aletleri sadece özel olarak üretilmiş pil paketleri ile kullanın.** Başka pil paketlerinin kullanımı yaralanma ve yangın tehlikesi oluşturabilir.
- **Pil paketinin kullanımda olmadığı durumlarda, pil paketini ataş, bozuk para, anahtar, çivi, vida veya pil kutupları arasında kısa devre yapabilecek diğer metal nesnelere uzak tutun.** Pil kutuplarının kısa devre edilmesi yangın veya yanıklara neden olabilir.
- **Kötü şartlar altında pilden sıvı akabilir; temas etmekten kaçınin.** Yanlışlıkla temas edilirse, su ile

yıkayın. Sıvı göze temas ederse, ayrıca tıbbi yardım alın. Pilden akan sıvı tahriş veya yanıklara neden olabilir.

- **Aküyü veya aleti hasarlı veya üzerinde değişiklik yapılmış şekilde kullanmayın.** Hasarlı veya üzerinde değişiklik yapılmış aküler yangın, patlama veya yaralanma riskine neden olacak şekilde beklenmeyen davranışlar gösterebilir.
- **Aküyü veya aleti ateşe veya aşırı sıcaklıklara maruz bırakmayın.** Ateşe veya 130°C'nin üzerindeki sıcaklıklara maruz kalması patlamaya neden olabilir.
- **Tüm şarj talimatlarına uyun ve pil takımını veya aleti talimatlarda belirtilen sıcaklık aralığının dışındaki sıcaklıklarda şarj etmeyin.** Hatalı veya belirtilen sıcaklık aralığının dışındaki sıcaklıklarda şarj etmek, aküye zarar verebilir ve yangın riskini artırır.

SERVİS

- **Elektrikli aletinizin bakımını, sadece orijinal yedek parça kullanan uzman bir tamirciye yaptırın.** Bu, elektrikli aletin emniyetinin korunmasını sağlayacaktır.
- **Asla hasarlı akülere bakım-onarım yapmayın.** Akülerin bakımı sadece üretici veya yetkili servisler tarafından yapılmalıdır.

BU ÜRÜNÜ KULLANMADAN ÖNCE TÜM TALİMATLARI OKUYUN!

EĞİTİM

- **Çocukların, fiziksel duyu kaybı veya zihinsel yetenekleri zayıf veya tecrübe ve bilgi yetersizliği olan kişilerin veya kullanma talimatları hakkında yeterli bilgiye sahip olmayanların makineyi kullanmasına asla izin vermeyin.**
- **Operatör veya kullanıcı, diğer kişilerin ya da diğer kişilere ait eşyaların başına gelebilecek yaralanma veya hasarlardan sorumludur.**

HAZIRLIK

- **Elektrikli alet yağmur ve ıslak koşullarda kullarda kullanılabilir.** İşiniz bittikten sonra elektrikli aleti kurulaın.
- **Kullanmadan önce, pilleri veya pil paketlerini hasarlara karşı kontrol edin.** Piller veya pil paketi hasar görmüşse, cihazı kullanmayın.

ÇALIŞMA

- **Elektrikli alet yağmur ve ıslak koşullarda kullarda kullanılabilir.** İşiniz bittikten sonra elektrikli aleti kurulaın.

■ Aşağıdaki durumlarda pilleri veya pil paketini çıkarın:

1. Makinenin yanından ayrıldığınızda;
2. Bir tıkanıklığı gidermeden önce;
3. Makineyi kontrol etmeden, temizlemeden veya üzerinde bir çalışma yürütmeden önce;
4. Cihaz anormal biçimde titreşim yapmaya başlarsa.

■ Eğimli alanlarda bastığınız yerlerin sağlam olduğundan emin olun.

- Yürüyün, asla koşmayın.
- Tüm soğutma hava girişlerini temiz tutun.
- Makineyi sadece günün uygun saatlerinde çalıştırın - insanları rahatsız edecek saatlerde (sabah erken veya gece geç saatler) çalıştırmayın.
- Tozlu çalışma koşullarında yüzeyleri hafifçe nemlendirin veya nemlendirici aksesuarı kullanın.

⚠ UYARI: Döner parça tehlikesi!

- Hava akımının yere yakın şekilde çıkması için tam üfleyici başlığı uzatma parçasını kullanın.
- Makineyi açık pencere vb. yakınında çalıştırmayın.

BAKIM VE SAKLAMA

- KCihazın güvenli biçimde çalışması için tüm somun, vida ve civataların sıkı durumda olmasını sağlayın.
- Aşınmış veya hasarlı parçaları değiştirin.
- Sadece orijinal yedek parça ve aksesuarları kullanın.
- Cihazı mutlaka kuru bir yerde saklayın.

⚠ UYARI: Yangın tehlikesini, elektrik çarpmasını veya yaralanmayı önlemek için:

ÖNEMLİ

KULLANMADAN ÖNCE DİKKATLE OKUYUN.

GELECEKTE BAŞVURU AMACIYLA SAKLAYIN.

- Üfleyicinin bir oyuncak olarak kullanılmasına izin vermeyin. Bu cihaz çocuklar tarafından veya bunların yakınında kullanılırken yakın gözetim altında tutulmaları gerekir.
- Üfleyici olması gerektiği gibi çalışmıyorsa, düşürüldüyse, hasar gördüyse veya suya düşüyse bir servis merkezine götürün.
- Havalandırma deliklerine herhangi bir nesne yerleştirmeyin. Herhangi bir havalandırma deliği

tıkanmışsa kullanmayın; havalandırma deliklerinin toz, tiftik, saç vb. tarafından tıkanmamasını sağlayın.

- Merdivenleri temizlerken özellikle dikkat edin.
- Üfleyiciyi akü fişi takılı haldeyken gözetimsiz bırakmayın. Kullanılmadığında ve herhangi bir bakım ve onarım işlemi yürütmeden önce pili çıkarın.
- Şarj cihazını, fişini ve şarj cihazı terminalerini ıslak elle tutmayın.
- Pili açık havada şarj etmeyin.

⚠ UYARI:

- Atılmadan önce akü cihazdan çıkarılmalıdır.

- Akü güvenli bir şekilde imha edilmelidir.

- Tıkanıklıkları gidermeyi denemeden önce **MUTLAKA** pili çıkarın.
- Üfleyici ve tutma sapını kuru ve temiz tutun, benzin ve yağdan uzak kalmasını sağlayın. Temizlik yaparken daima temiz bir bez kullanın. Üfleyiciyi temizlerken fren sıvıları, petrol ürünlerini veya güçlü çözücülerini asla kullanmayın. Bu kurula uyulması kontrol kaybı ve plastik gövde kısımlarının bozulması riskini azaltacaktır.
- Piller, pilot alevi gibi herhangi bir kıvılcım sonucu patlayabilir. Ciddi kişisel yaralanma riskini azaltmak için, asla kablosuz bir ürünü açık alev bulunan bir yerde kullanmayın. Patlayan bir pil etrafa küçük parça ve kimyasal madde saçabilir. Bunlara maruz kalınması halinde derhal su ile yıkayın.
- Bu makineyi asla uygun aksesuarlar takılı değilken çalıştırmayın. Daima üfleyici borunun takılı olduğundan emin olun.
- Üfleyiciyi asla ateş veya sıcak küllerin yakınında kullanmayın. Ateş veya küllerin yakınında kullanılması ateşin yayılmasına yol açarak ciddi yaralanma ve/veya mal hasarına neden olabilir.
- Üfleyicileri asla kimyasal maddeleri, gübreleri veya diğer zehirli maddeleri püskürtmek için kullanmayın. Bu maddelerin püskürtülmesi durumunda operatör ve/veya üçüncü şahıslarda ciddi kişisel yaralanmalar meydana gelebilir.
- Bu talimatları saklayın. Talimatlara sık sık müracaat edin ve bu aleti kullanacak diğer kişileri bilgilendirmek için kullanın. Bu ürünü başka birine ödünç vererseniz, ürünün hatalı kullanılmasını ve olası yaralanmaları önlemek için bu talimatları da ürünle birlikte verin.

BU TALIMATLARI SAKLAYIN!

TR

TEKNİK ÖZELLİKLER

Voltaaj	56 V 
Maksimum hava hacmi	1020 m ³ /saat
Maksimum Hava Hızı	232 km/saat
Maksimum Üfleyici Gücü	19 N
Tavsiye Edilen Çalışma Sıcaklığı	-15°C-40°C
Tavsiye Edilen Depolama Sıcaklığı	-20°C-70°C
Yaklaşık Çalışma Süresi (EGO 56V 5,0 Ah pil ile)	15 min (Turbo)
	22 min (Yüksek hız)
	120 min (Düşük hız)
Üfleyici Ağırlığı (pil paketi hariç, boru dahil)	5,7 kg
Ölçülen ses güç düzeyi L _{WA}	94,6 dB(A) K=0,8 dB(A)
Operatörün duyduğu ses güç düzeyi L _{PA}	82 dB(A) K=2,5 dB(A)
Garanti edilen ses güç düzeyi L _{WA} (2000/14/EC uyarınca)	95 dB(A)
Titreşim a _h	0,522 m/s ² K=1,5 m/s ²

- Bildirilen toplam titreşim değeri standart test yöntemine uygun olarak ölçülmüştür ve bir cihazı diğer bir cihaz ile karşılaştırmak için kullanılabilir.
- Bildirilen toplam titreşim değeri ayrıca ön maruz kalma değerlendirmesinde de kullanılabilir.

UYARI: Elektrikli aletin gerçek kullanımı sırasında meydana gelen titreşim emisyonu aletin kullanım şekline bağlı olarak bildirilen değerden farklı olabilir; Operatörü korumak için, kullanıcı gerçek kullanım koşullarında eldiven ve kulak koruması takmalıdır.

TR

AMBALAJ LİSTESİ

PARÇA ADI	MİKTAR
Üfleyici	1
Üfleyici borusu	3
Kullanma kılavuzu	1

AÇIKLAMA

ÜFLEYİCİNİZİ TANIYIN (Şek. A & B)

1. Tutma Sapı

2. Pil Çıkarma Düğmesi
3. Mandal
4. Elektrik Kontakları
5. Çıkarma Mekanizması
6. Hava Girişi
7. Ön Boru (Eğimli Düz Boru)
8. Hava Çıkışı
9. Ön Boru (Silindirik Boru)
10. Maksimum
11. Kontrol Kolu
12. Ayarlanabilir Destek Donanımı
13. Üfleyici-Boru Saklama Düğmesi
14. Turbo Düğmesi
15. Hız/Kilitleme Kadranı
16. Hava Hızı Tetiği
17. Kelebek Somun
18. Boru Asma Oluğu

UYARI: Bu ürünün güvenli şekilde kullanılması, proje bilgisinin yanı sıra alet üzerinde ve bu kullanıcı kılavuzunda yer alan bilgilerin anlaşılmasını gerektirir. Bu ürün kullanmadan önce, tüm çalıştırma özelliklerini ve güvenlik kurallarını öğrenin.

MONTAJ

UYARI: Hasarlı veya eksik parça varsa, bu parçalar değiştirilinceye kadar ürünü çalıştırmayın. Bu ürünün hasarlı veya eksik parçalar ile kullanılması ciddi kişisel yaralanmalara yol açabilir.

UYARI: Bu ürün üzerinde değişiklik yapmaya veya bu üfleyici ile kullanılması önerilmeyen aksesuarlar oluşturmaya çalışmayın. Bu tür değişiklikler veya modifikasyonlar hatalı kullanımdır ve ciddi kişisel yaralanmalara neden olabilen tehlikeli bir duruma sebep olabilir.

UYARI: Ciddi kişisel yaralanmalara neden olabilen yanlışlıkla çalışmayı önlemek için, parçaları monte ederken pil takımını mutlaka aletten çıkarın.

ÜFLEYİCİ BORULARININ MONTAJI

1. Üfleyici için üç boru vardır: iki ön boru (silindirik ve eğri düz boru) ve orta boru (Şek. C).
2. Önce silindirik boruyu orta boruya takın. Silindirik borudaki yivlerden herhangi birini orta borudaki düğme ile hizalayın (Şek. D).
3. Düğme, oluklardan herhangi birine oturuncaya kadar orta boruyu ileri itin. Ardından düğme kilit konumuna gelinceye kadar orta boruyu ok yönünde döndürün (Şek. E).

Şek. C ve D parça açıklaması aşağıdaki gibidir:

C-1	Silindirik Boru	D-1	Düğme
C-2	Eğimli Düz Boru	D-2	Farklı kilitleme konumları için oluklar
C-3	Orta Boru		

⚠ UYARI: Orta boru dönüş sırasında yerine kilitlemeden önce, direnç oluşturacak bir dahili duruş fark edeceksiniz. Kilitleme konumuna tam oturuncaya ve bu direnci yeneinceye kadar boruyu döndürmeye devam edin.

4. Orta boruyu farklı kilit konumlarına kilitleyerek boru uzunluğunu tercihinize göre kısaltabilir veya uzatabilirsiniz (Şek. F).

Şek. F parça açıklaması aşağıdaki gibidir:

F-1	Birinci kilit konumunda kilitti
F-2	İkinci kilit konumunda kilitti

5. Boru tertibatını aynı şekilde üfleyici gövdesine takın (Şek. G).

Eğri düz boruyu üfleyici ile birleştirmek için aynı sırayı takip edin.

6. Boru tertibatını üfleyici gövdesinden çıkarmak ya da iki boruyu ayırmak için, önce boruyu kilit açma yönünde çevirerek mandalı ayırın ve ardından boruyu düz şekilde dışarı doğru çekin.

ÇALIŞTIRMA

⚠ UYARI: Ürüne aşına olmanız sizi dikkatsiz yapmasın. İkinci dereceden bir dikkatsizliğin ciddi yaralanmalara neden olmak için yeterli olduğunu unutmayın.

⚠ UYARI: Bu ürünün üreticisi tarafından önerilmeyen ek parça veya aksesuarları kullanmayın. Önerilmeyen ek parça veya aksesuarların kullanılması ciddi kişisel yaralanmalara neden olabilir.

⚠ UYARI: Parçaları monte ederken, ayar yaparken, temizlik yaparken veya ürün kullanımda değilken daima pil paketini üründen çıkarın. Pil paketinin çıkarılması, ciddi kişisel yaralanmalara neden olabilen yanlışlıkla çalışmayı önler.

Her kullanımdan önce ürünü inceleyerek hasarlı, eksik veya vida, somun, civata, kapak vb. gevşek parça olup olmadığını kontrol edin. Tüm bağlantı parçalarını ve kapakları sıkın, bu ürünü eksik veya hasarlı parçalarla tamamlanmadan çalıştırmayın.

UYARI: Acil bir durumla karşılaşırsanız, üfleyiciyi çıkarmak için göğüs tokasını hafifçe ayırın.

UYGULAMA

Bu ürünü aşağıda listelenen amaçlar için kullanabilirsiniz:

- Araba yolları ve kaldırımlar gibi sert yüzeylerin temizlenmesi.
- Yüzey ve araba yollarının yapraklardan ve çam yapraklarından temizlenmesi.

⚠ UYARI: Alet sadece belirtilen amaç için kullanılmalıdır. Diğer kullanım şekilleri hatalı kullanım olarak kabul edilir.

PİL PAKETİNİN TAKILMASI/ÇIKARILMASI

İlk kullanımdan önce şarj edin.

Sadece şek. A'da listelenen pil paketi ve şarj cihazlarını kullanın.

⚠ NOT: En iyi performans için, EGO 56V Pil BA2800 (5,0 Ah) veya daha yüksek kapasiteli herhangi bir EGO 56V pil kullanılmasını tavsiye ederiz.

■ Takmak için (Şek. H)

Pilin çıkıntıları ile montaj yuvalarını hizalayın ve "klik" sesi duyuncaya kadar pil paketini aşağıya bastırın.

■ Çıkarmak için (Şek. I)

Pil çıkarma düğmesine basın ve pil paketini çekip çıkarın.

⚠ UYARI: Pil çıkarma düğmesine basarken daima ayaklarınızın durduğu yere, çocuklara veya evcil hayvanlara dikkat edin. Pil paketi düşerse ciddi yaralanmaya neden olabilir. ASLA pil paketini yüksek bir yerden çıkarmayın.

SIRT TIPI ÜFLEYİCİNİN KONUMLANDIRILMASI

⚠ UYARI: Bu cihazı kullanırken yaralanma riskini azaltmak için uygun şekilde giyin. Bol giysiler giymeyin veya takı takmayın. Göz ve kulak/ışıtme koruması takın. Dayanıklı, uzun pantolon, eldiven ve bot giyin. Kısa pantolon, sandalet giymeyin veya çıplak ayakla çalışmayın.

Vücut Destek Kemerini Ayarlama

1. Üfleyiciyi sırtınıza alarak desteklemek için, kollarınızı sırt askılarından geçirin.
2. Her iki omuz askısını geçici olarak rahat konumda ayarlayarak (Şek. J) dirseğinizin rahat hareket ettiğinden emin olun.
3. Göğüs tokasını kapatın ve gerekirse uzunluğunu ayarlayın (Şek. K).
4. Bel tokasını kapatın ve uzunluğunu ayarlayarak sırt çantasının kalçalarınız tarafından güvenli bir şekilde desteklenmesini sağlayın (Şek. L ve M).

UYARI: Sırt çantası sırtınızda çok yükseğe oturmamalıdır; omuzlarınıza değil kalçalarınıza daha yakın olmalıdır.

5. Güvenlik ve konfor için omuz askılarını tekrar ayarlayın. Sırt çantasının sırtınıza güvenli bir şekilde oturduğundan emin olun. Ağır bel kayışı tarafından desteklenmeli ve hareket ettiğinizde üfleyici de aşırı hareket etmemelidir (Şek. N).
6. Fazla kayış ucunu her iki tarafa elastik bant içine yerleştirin (Şek. O).
7. Donanımı sırtınızdan çıkarmak için, bel ve göğüs tokalarını basmanız ve donanımı indirmanız yeterlidir (Şek. P).

Kontrol Kolunu Ayarlama

1. Kolu gerektiğinde ileri veya geri ayarlamak için kelebek somunu gevşetin ve ardından sıkarak kolu sabitleyin (Şek. Q ve R).
2. Ayrıca kolu rahatlık açısından derseniz çevirebilirsiniz (Şek. S).
3. Temizlediğiniz alanı genişletmek için, boruyu sola veya sağa hareket ettirin (Şek. T).

ÜFLEYİCİYİ ÇALIŞTIRMA/DURDURMA (Şek. U)

Sadece Hava Hızı Tetiği

- Üfleyiciyi açmak için hava hızı tetiğine tekrar basın.
- Üfleyicinin hava hızı değişken hızlı tetikle kontrol edilir. Tetiğe daha fazla basınca uygulanması daha yüksek üfleme hızları ile sonuçlanır; tetiğe daha az basınca uygulanması daha düşük üfleme hızları ile sonuçlanır. Hızı yapılan göreve göre ayarlayın.
- Üfleyiciyi kapatmak için hava hızı tetiği serbest bırakın.

Sadece Hız/Kilitleme Kadranı

Üfleyici hız/kilitleme kadranı ile herhangi bir hızda çalıştırılabilir ve kilitlenebilir.

- Üfleyiciyi başlatmak için hız/kilitleme kadranını saat yönünde çevirin. Hava hızı kadran saat yönünde döndükçe artar.
- Hava hızını azaltmak için hız/kilitleme kadranını saat yönünün tersine çevirin. Üfleyiciyi durdurmak için hız/kilitleme kadranını saat yönünün tersine kapalı konumuna doğru döndürün.
- Üfleyiciyi durdurmak için hız/kilitleme kadranını saat yönünün tersine kapalı konumuna doğru döndürün.

Uyarı: Eğer hız/kilitleme kadranı üfleyiciyi açmadan önce tekrar kapalı konumuna geri döndürülmezse, üfleyici şarj edilmiş bir akü takıldığında hız/kilitleme kadranı ile

çalıştırılmayacaktır. Bu kazara başlatmayı önlemek için bir koruma özelliğidir. Hava hızı tetiğine tekrar basılması korumayı devre dışı bırakabilir.

Hava hızını maksimum seviyeye çıkarmak için geçici olarak çalışırken güç düğmesine basın. Üfleyici güç düğmesi serbest kaldığı zaman önceki hızında çalışmaya devam edecektir.

Şek. U parça açıklaması aşağıdaki gibidir:

U-1	Hız/Kilitleme Kadranı	U-3	Hava Hızı Tetiği
U-2	Eğimli Düz Boru		

ÜFLEYİCİNİN KULLANILMASI İLE İLGİLİ İPUÇLARI

- Atıkların püskürtülmesini önlemek için, çöp birikintilerinin dış kenarları etrafına üfleyin. Asla doğrudan birikintinin içine doğru üflemeyin.
- Gürültü düzeyini azaltmak için, bir defada kullanılan ekipman sayısını sınırlı tutun.
- Üfleme öncesinde çöpleri gevşetmek için tırmık ve saplı süpürge kullanın. Tozlu koşullarda, varsa suyla yüzeyleri hafifçe nemlendirin.
- Çocuklara, evcil hayvanlara, açık pencere veya yeni yıkanmış araçlara dikkat edin ve atıkları güvenli biçimde uzağa üfleyin.
- Üfleyicileri veya diğer cihazları kullandıktan sonra temizleyin! Atıkları uygun biçimde imha edin.
- Fazla titreşim ve ses sağlığınıza açısından zararlı olabileceği için üfleme makinesinin uzun süre yüksek hızda çalıştırılması tavsiye edilmez.

BAKIM

⚠ UYARI: Bakım ve onarım sırasında birbirini aynı yedek parçaları kullanın. Diğer parçaların kullanılması tehlike oluşturabilir veya ürünün hasar görmesine neden olabilir. Güvenliği ve güvenilirliği sağlamak için, tüm onarım işlemleri yetkili bir servis teknisyeni tarafından gerçekleştirilmelidir.

⚠ UYARI: Ciddi kişisel yaralanmaları önlemek için, temizlik veya bakım işlemi gerçekleştirirken daima pil paketini üründen çıkarın.

GENEL BAKIM

Plastik parçaları temizlerken çözücü maddeler kullanmaktan kaçınınız. Plastikler çeşitli ticari çözücü türlerinden kötü yönde etkilenmeye yatkındır ve kullanılmaları durumunda zarar görebilirler. Kir, toz, yağ, gres, vb. gidermek için temiz bez kullanın.

⚠ UYARI: Fren sıvıları, petrol, petrol bazlı ürünler, içe işleyen yağlar, vb.nin plastik parçalara temas etmesine kesinlikle izin vermeyin. Kimyasal maddeler plastik parçalara hasar verebilir, bu tür parçaları zayıflatabilir veya parçalayabilir ve bu durum ciddi yaralanmalara neden olabilir.

SAKLAMA

- PİL TAKIRMINI ÜFLEYİCİDEN ÇIKARIN.
- Üfleyicinin hava deliklerindeki tüm yabancı maddeleri temizleyin.
- Üfleyici borusu saklama düğmesini boru asma oluğu ile hizalayın ve üfleyici borusunu pil bölmesi muhafazası üzerine asın (Şek. V ve W).
- Üfleyiciyi çocukların ulaşamayacağı kapalı bir yerde saklayın. Bahçe kimyasalları ve eritici tuzlar gibi aşındırıcı maddelerden uzak tutun.

Şek. V parça açıklaması aşağıdaki gibidir:

V-1	Üfleyici-Boru Saklama Düğmesi
V-2	Boru Asma Oluğu

Çevre koruması



Elektrikli cihazları, pil şarj cihazını ve pilleri/şarj edilebilir pilleri evsel atıklarla birlikte atmayın!

AB Yasası 2012/19/EU uyarınca, kullanılamaz durumdaki elektrikli ve elektronik cihazlar ve AB Yasası 2006/66/EC uyarınca, arızalı veya kullanılmış pil paketleri/piller ayrı olarak toplanmalı ve çevre dostu bir şekilde imha edilmelidir.

Elektrikli cihazlar katı atık sahaları veya çöp toplama alanlarına atılırsa, yer altı sularına ve besin zincirine tehlikeli maddeler sızabilir, bu da sağlığınızın bozulmasına yol açabilir.

SORUN GİDERME

SORUN	NEDENİ	ÇÖZÜM
Üfleyci çalışmıyor.	<ul style="list-style-type: none">■ Pil paketi, üfleyciye takılı değil.■ Üfleyci ile pil arasında elektrik teması yok.■ Pil paketi boş.■ Pil paketi veya üfleyci çok sıcak.■ Hız/kilitleme kadranı üfleyciyi tekrar açmadan önce kapalı konumuna geri dönmemiş.	<ul style="list-style-type: none">■ Pil paketini üfleyciye takın.■ Pili çıkarın, temas noktalarını kontrol edin ve pil paketini yeniden takın.■ Pil paketini şarj edin.■ Pil paketini ve üfleyciyi, sıcaklığı 67°C'nin altına düşene kadar soğutun.■ Korumayı devre dışı bırakmak için hava hızı tetiğine tekrar basın ve üfleyciyi başlatın veya önce hız/kilitleme kadrانını kapalı konumuna çevirin.
Hava hızı önemli ölçüde azalıyor.	<ul style="list-style-type: none">■ Motor fanı aşırı yıpranmış.■ Hava girişi atıklar nedeniyle tıkanmış.	<ul style="list-style-type: none">■ Onarılması için EGO servis merkeziyle irtibata geçin.■ Pil paketini çıkarın, atıkları temizleyin.
Üfleyci yüksek hızda çalışmayı durduruyor.	<ul style="list-style-type: none">■ Üfleyci aküden yüksek akım çekiyor ve kendini koruma moduna geçiyor.	<ul style="list-style-type: none">■ Ayar anahtarını kapatın, ardından akünün LED'i söndükten sonra üfleyciyi yeniden çalıştırın. Aküyü çıkarın ve üfleyciyi yeniden başlatmak için aküyü tekrar geri takın.

GARANTİ

EGO GARANTİ POLİTİKASI

EGO Garanti politikasına ilişkin tüm hüküm ve koşullar için, lütfen egopowerplus.com adresindeki web sitemizi ziyaret edin.

TR

LUGEGE KOGU JUHEND LÄBI!



LUGEGE KASUTUSJUHENDEID

MÄRKUS: See juhend on saadaval ka teistsuguses vormingus, nt kodulehel.

⚠️ Kaasnev oht! Elektroonilisi seadmeid (nt südamestimulaatorit) kasutavad inimesed peaksid enne seadme kasutamist konsulteerima oma arsti(de)ga. Elektriliste seadmete kasutamine südamestimulaatori läheduses võib põhjustada häireid stimulaatori töös.

⚠️ HOIATUS: Ohutuse ja töökindluse tagamiseks tohivad seda seadet remontida ainult vastava kvalifikatsiooniga hooldustehnikud.

TURVASÜMBOLID

Turvasümbolite eesmärk on juhtida kasutajate tähelepanu võimalikele ohtudele. Turvasümbolide ja nende seletusi tuleb tähele panna ja mõista. Hoiatussümbolid iseenesest ei likvideeri ühtegi ohtu. Nende abil antavad juhised ja hoiatused ei asenda korrektseid õnnetuste ennetamise meetmeid.

⚠️ HOIATUS: Lugege kõik käesolevas juhendis olevad turvajuhised enne seadme kasutamist hoollega läbi. Muuhulgas tutvuge kindlasti ka turvasiltidega, millel on tähised “OHT”, “HOIATUS” või “ETTEVAATUST”. Kui te ei järgi kõiki allpool toodud juhiseid, võib tekkida elektrilöögi, tulekahju ja/või raske kehavigastuse oht.

KAHJUENNETUS JA INFOSÖNUMID

Need annavad kasutajale olulist teavet ja/või juhiseid, mille mittejärgimine võib põhjustada seadmete või muu vara kahjustusi. Igale sõnumile eelneb märg “MÄRKUS”, nagu alltoodud näites:

MÄRKUS: Nende juhiste mittejärgimisega kaasneb seadme- ja/või varakahjude oht.



⚠️ HOIATUS: Kõigi mootoriga tööriistade kasutamisel on oht, et mõni võõrkeha võib teile silma lennata ja nägemiskahjustusi põhjustada. Enne kui hakkate tööriista kasutama, pange alati ette kaitsemask või küljekaitsega kaitseprillid ning vajadusel ka näomask. Soovitame prillide asemel kasutada laia vaateulatusega kaitsemaski või standardseid küljekaitsega kaitseprille.

OHUTUSJUHISED

Sellel leheküljel on kujutatud ja kirjeldatud käesoleva toote puhul kasutatud turvasümboliteid. Lugege see teave hoolikalt läbi ja järgige seadme kokkupanemisel ja kasutamisel kõiki juhiseid.

	Turvamärguanne	Ohutusabinõud
	Kasutage silmade kaitsevahendeid	Kandke selle seadme kasutamise ajal alati kaitsemaski või küljekaitsega kaitseprille.
	Kasutage kõrvade kaitsevahendeid	Kasutage seadmega töötades alati kuulmiskaitset
	Lugege kasutusjuhendit	Vigastuste ohu vähendamiseks peab kasutaja lugema kasutusjuhendit.
	Ärge laske kellelgi töö ajal enda lähedal seista	Ärge laske teistel isikutel tulla töötavale seadmele lähemale kui 15 meetrit.
V	Volti	Pinge
A	Amprit	Voolutugevus
Hz	Herts	Sagedus (tsükli sekundis)
W	Vatti	Võimsus
min	Minutit	Aeg
m ³ /h	Kuupmeetrit tunnis	Õhu maht
km/h	Kilomeetrit tunnis	Õhu kiirus
	Vahelduvvool	Laengu tüüp
	Alalisvool	Laengu tüüp või omadus
η ₀	Tühikäigu kiirus	Tühikäigu pöörlemiskiirus
... /min	Minutis	Pööret minutis

Elektriseadme kasutusel tuleb alati järgida elementaarseid ohutusnõudeid, sealhulgas ka alljärgnevat:

ET

ÜLDISED MOOTORIGA TÖÖRIISTADE HOIATUSED

⚠ HOIATUS: LUGEGE LÄBI KÖIK ELEKTRITÖÖRIISTAGA KAASAS OLEVAD HOIATUSED, JUHISED, JOONISED JA ANDMED. Alltoodud juhiste eiramine võib põhjustada elektrilööki, tulekahju ja/või raskeid vigastusi.

SÄILITAGE HOIATUSED JA JUHISED HILISEMAKS KASUTUSEKS.

Hoiatuses kasutatud termin “mootoriga tööriist” viitab voolu jõul (juhtmega) töötavale mootoriga tööriistale või aku jõul töötavale (juhtmeta) tööriistale.

TÖÖPIIRKONNA OHUTUS

- **Tööpiirkond peab olema puhas ja hästi valgustatud.** Segadus või valgustamata tööpiirkonnad suurendavad õnnetuste tõenäosust.
- **Ärge kasutage elektrilisi tööriistu plahvatusohtlikus keskkonnas, kus leidub nt tuleohtlikke vedelikke, bensiini või tolmu.** Mootoriga tööriistad tekitavad sädemeid, mis võivad süüdata tolmu või aurusid.
- **Mootoriga tööriistadega töötamisel hoidke lapsed ja kõrvalseisjad eemal.** Tähelepanu hajumisel võite kaotada kontrolli seadme üle.

ELEKTRILINE OHUTUS

- **Elektrilised tööriistad tuleb ühendada sobivasse pistikupessa.** Ärge kunagi muutke pistikut mitte mingil viisil. Ärge kasutage koos maandatud elektriliste tööriistadega mingisuguseid üleminekuadaptereid. Muutmata pistikute ja sobivate pistikupesade kasutamine vähendab elektrilöögi ohtu.
- **Vältige kehalist kontakti maandatud pindadega (nt torud, radiaatorid, piirded, külmikud).** Kui teie keha on maandatud, suureneb elektrilöögi oht.
- **Ärge jätke elektrilisi tööriistu vihma kätte ega niisketesse tingimustesse.** Vee sattumine elektrilise tööriista sisse suurendab elektrilöögi ohtu.
- **Ärge rikkuge juhet.** Ärge kasutage juhet elektritööriista kandmiseks või tõmbamiseks ja ärge tõmmake juhtmest, kui soovite pistikut pistikupesast eemaldada. Vältige juhtme kokkupuudet kuumade objektide, õli, teravate äärte või liikuvate osadega. Kahjustatud või puntras juhe suurendab elektrilöögi ohtu.

ET

- **Elektrilise tööriistaga välitingimustes töötamiseks kasutage välitingimustesse sobivat pikendusjuhet.** Välitingimustesse sobiva juhtme kasutamine vähendab elektrilöögi ohtu.
- **Kui peate kindlasti tööriista märjas kohas kasutama, kasutage seadet, millel on maandusrikke katkestus.** Selle reegli järgimine vähendab elektrilöögi ohtu.

ISIKLIK OHUTUS

- **Olge tähelepanelik, töötage hoolikalt ja kasutage tervet mõistust.** Ärge kasutage elektrilisi tööriista, kui olete väsinud või tarvitanud narkootikume, alkoholi või ravimeid. Isegi hetkeline tähelepanematus elektritööriistade kasutamise ajal võib põhjustada tõsisid vigastusi.
- **Kasutage isikukaitsevahendeid. Kandke silmakaitsevahendeid.** Töötajatele vastava kaitsevarustuse (nt tolmumaski, mittelibisevate turvakingade, tugeva peakatte või kuulmiskaitsete) kasutamine vähendab kehavigastuste ohtu.
- **Vältige soovimatut käivitumist. Veenduge, et lüliti on mitteaktiivses asendis enne kui ühendate vooluvõrgu või akuplokiga ning enne seadme kandmist või üles tõstmist.** Elektritööriistade kandmine sõrme lülitil hoides või aktiivses olekus lülitiga põhjustab õnnetusi.
- **Enne tööriista sisselülitamist eemaldage sellel kohandusvõtmed ja mutrivõtmed.** Tööriista pöörleva osa külge unustatud tööriistad võivad põhjustada kehavigastusi.
- **Ärge küünitage liiga kaugele.** Töötage ainult kindlal maapinnal ja kohtades, kus pole ohtu tasakaalu kaotada. Nii säilitate tööriista üle ootamatutes olukordades parema kontrolli.
- **Riietuge asjakohaselt.** Ärge kandke ehteid ega avaraid riideid. Vältige oma juuste, riiete ja kinnaste kokkupuudet liikuvate osadega. Liiga avarad riided, ehted ja pikad juuksed võivad liikuvate osade vahele kinni jääda.
- **Kui tootega on kaasas vahendid tolmukogumis- ja väljavõtuseadmete ühendamiseks, veenduge, et need seadmed on korralikult ühendatud ja korrektses kasutuses.** Tolmukogumisseadmete kasutamine vähendab tolmuga seotud ohtusid.
- **Kui seade on teile sagedase kasutamise tulemusel harjumuspäraseks saanud, ärge laske ennast lõdvaks ega ignoreerige tööriista kasutamise ohutusreegleid.** Hooletuse tõttu võite saada tõsisid vigastusi ka sekundi murdosa jooksul.

AKUSEADMETE KASUTAMINE JA HOOLDUS

- **Ärge rakendage tööriista kasutamisel jõudu. Kasutage konkreetseks tööks sobivat tööriista.** Akuseade töötab paremini ja turvaliselt, kui seda kasutada ettenähtud kiirusel.
- **Ärge kasutage tööriista, mida ei saa lülitist sisse ja välja lülitada.** Elektrilised tööriistad, mille lüliti ei tööta, on ohtlikud ja tuleb parandada.
- **Eemaldage juhe vooluvõrgust ja/või akuplokk seadme küljest enne kui alustate seadme kohandamist, lisakomponentide lisamist või eemaldamist ja enne kui hakkate seadet hoistama.** Need ohutusmeetmed vähendavad seadme tahtmatu käivitamise võimalust.
- **Tööriistu, mida te hetkel ei kasuta, hoidke lastele kättesaamatus kohas ning ärge lubage nendega töötada isikutel, kes pole tööriistade tööpõhimõtete või käesoleva juhendiga tutvunud.** Koolitamata isikute käes on elektrilised tööriistad ohtlikud.
- **Akuseadmete hooldamine** Kontrollige, kas komponendid on korrektselt joondatud ja ega ükski osa paindunud pole ning jälgige ka muid aspekte, mis võiksid tööriista omdusi mõjutada. Kahjustuste leidmisel laske tööriist enne järgmist kasutust remontida. Pajjude õnnetuste põhjuseks on kehvasti hooldatud tööriistad.
- **Hoidke oma tööriistu teravate ja puhastena.** Korralikult hooldatud ja teravate servadega lõikeääred ei paindu nii kergesti ja on lihtsamini juhitavad.
- **Kasutage tööriista, selle lisakomponente ja tööriistaosi jm vastavalt käesolevale juhendile, võttes arvesse töötingimusi ja teostatavat tööd.** Tööriista mitte-eesmärgipärane kasutamine võib põhjustada ohtlikke olukordi.
- **Hoidke käepidemed ja haardepinnad kuivad ja puhtad ning vältige neile õli ja rasva sattumist.** Libedad käepidemed ja haardepinnad takistavad seadme ohutut kasutamist ja käsitsemist ootamatutes olukordades.

AKUSEADMETE KASUTAMINE JA HOOLDUS

- **Kasutage laadimiseks ainult tootja poolt ette nähtud laadijaid.** Akulaadija, mis sobib teatud tüüpi akuplokkidele, võib põhjustada tulekahju ohtu, kui seda kasutada mõne teise akuplokkiga.
- **Kasutage elektrilisi tööriistu ainult nende jaoks ette nähtud akuplokkidega.** Mõne muu akuploki kasutamine võib põhjustada vigastuste ja tulekahju ohtu.

- **Kui akut ei kasutata, hoidke seda eemal muudest metallesemetest nagu kirjklambritest, müntidest, võtmetest, naeltest, kruvidest ja muudest väikestest metallesemetest, mis võivad klemmide vahel ühenduse luua.** Aku klemmide lühühendus võib põhjustada põletushaavu ja tulekahju ohtu.
- **Valedes tingimustes kasutamisel võib akut vedelikku välja tulla; vältige kokkupuudet sellega.** Kokkupuute tekkimisel loputage veega. Kui vedelik satub silma, pöörduge lisaks ka arsti poole. Akust väljuv vedelik võib põhjustada ärritust või põletusi.
- **Ärge kasutage kahjustunud või modifitseeritud akuplokki või tööriista.** Kahjustunud või modifitseeritud akud võivad toimida ettearvamatu, mille tagajärjeks võib olla tulekahju, plahvatus või vigastuste oht.
- **Vältige akuploki või tööriista kokkupuudet tule või liiga kõrge temperatuuriga.** Kokkupuude lahtise tule või temperatuuriga üle 130 °C võib põhjustada plahvatuse.
- **Järgige kõiki laadimisjuhiseid ja ärge laadige akuplokki või tööriista vale temperatuuri juures (vt juhiseid).** Valesi või valel temperatuuril laadimine võib kahjustada akut ja suurendada tulekahju ohtu.

HOOLDUS

- **Laske oma akutööriista hooldada kvalifitseeritud remonditehnikul, kes kasutab ainult identseid originaalvaruosid.** See tagab elektritööriista ohutuse.
- **Ärge kunagi hooldage kahjustunud akuplokke.** Akuplokkide hooldust võib teostada ainult tootja või volitatud teeninduskeskus.

ENNE SELLE TOOTE KASUTAMIST LUGEGE LÄBI KOGU KASUTUSJUHEND!

KOOLITUS

- **Ärge lubage seadet kasutada lastel, vähenenud vaimsete, sensoorsete või füüsiliste võimetega isikutel ega isikutel, kellel puuduvad vajalikud teadmised ja kogemus või kes pole tutvunud kasutusjuhendiga.**
- **Seadme kasutaja vastutab teiste inimeste või nende varaga juhtuvate õnnetuste eest.**

ETTEVALMISTUS

- **Elektritööriista võib kasutada vihma käes või niisketes tingimustes. Pärast töö lõpetamist kuivatage seadet.**

ET

- Enne töö alustamist veenduge, et akud või akuplokid pole kahjustatud. Ärge kasutage seadet, kui akud või akuplokk on kahjustatud.

SEADME KASUTAMINE

- Elektritööriista võib kasutada vihma käes või niisketes tingimustes. Pärast töö lõpetamist kuivatage seadet.
- Ühendage akud või akuplokid lahti:
 1. kui lahkude seadme juurest;
 2. enne ummistuse eemaldamist;
 3. enne seadme kontrollimist, puhastamist või seadistamist;
 4. kui seade hakkab ebanormaalselt vibreerima.
- Kallakutel jälgige jalgealust eriti tähelepanelikult.
- Köndige, ärge jookske.
- Hoidke kõik jahutusavad puhtad.
- Kasutage seadet ainult päevasel ajal ja vältige töötamist varahommikul ja hilja õhtul, kui võite teisi inimesi häirida.
- Tolmuste alade puhul on soovitatav enne seadme kasutamist maapinda veidi niisutada või kasutada niisutavat lisaseadet.

⚠ HOIATUS: TPöörlevate osade oht!

- Use the full blower nozzle extension so the air stream can work close to the ground.
- Not to operate the machine near open windows, etc.

MAINTENANCE AND STORAGE

- Ohutuse huvides kontrollige regulaarselt, et kõik mutrid, poldid ja kruvid oleksid kinni.
- Vahetage kulunud või kahjustatud osad välja.
- Kasutage ainult originaaltarvikuid ja -varuosi.
- Hoiustage seadet ainult kuivas kohas.

⚠ HOIATUS: Tulekahju, elektrilöögi või kehavigastuste ohtu vähendamiseks:

OLULINE

ENNE KASUTAMIST LUGEGE TÄHELEPANELIKULT.

HOIDKE EDASISEKS KASUTAMISEKS ALLES.

- Ärge lubage puhuriga mängida. Kui kasutate tööriista laste lähedal või lasete seda kasutada lastel, olge väga tähelepanelik.
- Kui puhur ei tööta nii nagu peab või kui see on maha kukkunud, kahjustatud või vette kukkunud, viige see hoolduskeskusesse.
- Ärge paigutage midagi seadme avadesse. Ärge kasutage seadet, kui mõni selle ava on ummistunud; jälgige, et tolm, ebemed, juuksekarvad või muud esemed ei takista seadme õhuvoolu.
- Treppide puhastamisel olge eriti ettevaatlik.
- Ärge jätke puhurit järelevalveta, kui aku on sellega ühendatud. Eemaldage aku, kui puhurit ei kasutata või hakkate seda hooldama.
- Ärge puudutage laadijat, laadija pistikut ega laadija klemme märgade kätega.
- Ärge laadige akuplokki välitingimustes.

⚠ HOIATUS:

- Akuplokk tuleb seadmelt enne selle käitlemist eemaldada.

- Aku käitlemisel tuleb järgida ohutusreegleid.

- **ÄRGE** üritage liivideerida ummistust enne, kui olete eemaldanud seadme aku.
- **Hoidke puhur ja selle käepide kuivad, puhtad ja vältige õli ja rasva sattumist seadmele.** Puhastamisel kasutage alati puhast lappi. Ärge kasutage puhuri puhastamiseks piduriõli, bensini, naftapõhiseid tooteid või teisi tugevatoimelisi lahusteid. Selle reegli järgimisega vähendate seadme üle kontrolli kaotamise ohtu ning plastikosade lagunemist.
- **Akud võivad süüteallika, nt valvepõleti läheduses plahvatada.** Tõsiste kehavigastuste ohtu vähendamiseks ärge kunagi kasutage juhtmeta seadet lahtise leegi läheduses. Plahvatav aku võib paisata enda ümber prahti ja kemikaale. Kokkupuute korral loputage mõjutatud kohta viivitamatult rohke veega.
- **Ärge kasutage seadet ilma nõuetekohase lisavarustusega.** Jälgige alati, et puhuri toru on kinnitatud.
- **Ärge kasutage puhurit lõkete või kuuma söe lähedal.** Seadme kasutamisel tule või kuuma söe läheduses võib tuli levida ja põhjustada raskeid vigastusi ja/või varalisi kahjusid.
- **Ärge kasutage puhurit kemikaalide, väetiste või muude toksiliste ainete laiali ajamiseks.** Nende ainete laiali ajamine võib põhjustada raskeid vigastusi seadme kasutajale või kõrvalistele isikutele.

- **Hoidke see kasutusjuhend alles.** Lugege juhendit sageli ning kasutage seda seadet kasutatavate isikute väljaõpetamiseks. Kui te seadet kellelegi laenate, andke sellega kaasa ka käesolev kasutusjuhend, et vältida seadme väärkasutamist ja võimalikke vigastusi.

HOIDKE SEE KASUTUSJUHEND ALLES!

SPETSIFIKATSIOONID

Pinge	56 V
Maksimaalse õhu maht	1020 m ³ /h
Maksimaalse õhukiiruse	232 km/h
Puhuri maksimaalne jõud	19 N
Soovituslik töökeskkonna temperatuur	-15°C-40°C
Soovituslik hoiustamise temperatuur	-20°C-70°C
Ligikaudne tööaeg (EGO 56-voldise akuga 5,0 ampertundi)	15 min (Võimendus)
	22 min (Suur kiirus)
	120 min (Väike kiirus)
Puhuri kaal (ilma akuplokita, koos toruga)	5,7 kg
Möödetud helirõhu tase L _{WA}	94,6 dB(A) K=0,8 dB(A)
Helirõhk seadme operaatori kõrva juures L _{PA}	82 dB(A) K=2,5 dB(A)
Garanteeritud helirõhk L _{WA} (möödetud vastavalt 2000/14/EN)	95 dB(A)
Vibratsioon a _n	0,522 m/s ² K=1,5 m/s ²

- Ametlik vibratsioonitaseme näit on möödetud standardsete testmeetodite kohaselt ja seda võidakse kasutada erinevate tööriistade võrdlemiseks.
- Ametliku vibratsioonitaseme näitu võib kasutada ka algse kokkupuutehinnangu andmiseks.

MÄRKUS: Tegelikul kasutamisel tekki vibratsioonitase või ametlikult märgitust erineb; turvalisuse eesmärgil peaks seadme kasutaja kandma kindaid ja kuulmiskaitseid.

PAKENDI LOEND

OSA NIIMI	KOGUS
Puhur	1

Puhuri toru	3
Kasutusjuhend	1

KIRJELDUS

TUNNE OMA PUHURIT (Joon. A & B)

1. Käepide
2. Akuvabastusnupp
3. Riiv
4. Elektrikontaktid
5. Väljutusmehhanism
6. Õhu sissevõtuava
7. Eesmine toru (Kumer lapik toru)
8. Õhu väljalaskeava
9. Eesmine toru (Silindriline toru)
10. Keskmine toru
11. Juhtkäepide
12. Reguleeritavad kanderihmad
13. Puhuri toru hoiustamisnupp
14. Võimendusnupp
15. Kiiruse / Lukustamise nupp
16. Õhukiiruse päästik
17. Tiibmutter
18. Toru riputussoon

⚠ HOIATUS: Selle seadme ohutuks kasutamiseks tuleb tootele nii tootele kantud kui ka käesolevas juhendis sisalduvast teabest aru saada ning mõista ka teostatava töö aluseid. Enne toote kasutamist tutvuge selle funktsioonidega ja ohutusreeglitega.

KOKKUPANEK

⚠ HOIATUS: Kui mõni osa on kahjustatud või puudub, ärge kasutage seadet enne kui see osa on parandatud. Kasutades kahjustatud või vajalike komponentideta seadet, võite saada raskeid vigastusi.

⚠ HOIATUS: Ärge üritage seadet ümber ehitada ega kasutada lisaseadmeid, mis pole mõeldud selle seadmega koos kasutamiseks. Kõik niisugused muudatused loetakse väärkasutuseks ja need võivad põhjustada ohtlikke olukordi, mis lõppevad raskete vigastustega.

⚠ HOIATUS: Raskeid vigastusi põhjustada võiva juhuliku käivitumise vältimiseks eemaldage seadmeosade kokkupaneku ajaks alati akuplokk.

ET

PUHURI TORUDE KOKKUPANEK

1. Puhuril on kolm toru: kaks eesmist toru (silindriline toru ja kumer lapik toru) ning keskmine toru (Joon. C).
2. Esmalt kinnitage silindriline toru keskmise toru külge. Joondage üks silindrilise toru soontest keskmise toru nupuga (Joon. D).
3. Lükake keskmist toru ettepoole, kuni nupp haakub ühega soontest. Seejärel pöörake keskmist toru noole suunas, kuni nupp libiseb lukustusasendisse (Joon. E).

Joonised C ja D osade kirjeldus, vt allapoole:

C-1	Silindriline toru	D-1	Nupp
C-2	Kumer lapik toru	D-2	Sooned erinevate lukustusasendite jaoks.
C-3	Keskmine toru		

⚠ MÄRKUS: Enne keskmise toru lukustumist pööramise ajal märkate sisseehitatud tõkestit, mis tekitab pisut takistust. Jätake toru pöörämist takistusest mööda, kuni see libiseb täielikult lukustusasendisse.

4. Saate toru pikendada või lühendada vastavalt oma eelistustele, lukustades keskmist toru erinevatesse lukustusasenditesse (Joon. F).

Joonise F osade kirjeldus, vt allapoole:

F-1	Lukustatud esimesse asendisse.
F-2	Lukustatud teise asendisse.

5. Kinnitage samamoodi toru puhuri külge (Joon. G). Kumer lapiku toru puhuriga ühendamiseks teostage toiminguid samas järjekorras.
6. Toru eemaldamiseks puhuri küljest või kahe toru eraldamiseks pöörake toru esmalt lahtilukustamise suunas, et lukustusnupp vabastada, ning tõmmake siis toru otse välja.

ET

KASUTAMINE

⚠ HOIATUS: Ärge muutuge toodet tundma õppides hooletuks. Pidage meeles, et raskeid vigastusi põhjustavaks õnnetuseks piisab ka sekundi murdosa pikkusest tähelepanematuses.

⚠ HOIATUS: Ärge kasutage liseseadmeid või -tarvikuid, mida selle seadme valmistaja pole soovitanud. Mittesoovituslike liseseadmete või -tarvikute kasutamine võib põhjustada raskeid kehavigastusi.

⚠ HOIATUS: Seadme kokkupanemise, kohandamise, puhastamise või mittekasutamise ajaks tuleb akuplokk alati

eemaldada. Akuploki eemaldamisega välistate seadme juhusliku käivitumise, millega võiksid kaasnedä raskeid kehavigastused.

Enne igakordset kasutamist kontrollige kogu toodet kahjustunud, kadunud või lahtiste osade suhtes, nagu näiteks kruvid, mutrid, poldid, katted jne. Kinnitage kindlalt kõik kinnitused ja katted ning ärge kasutage puhurit enne, kui kõik puuduvad või kahjustunud osad on asendatud.

MÄRKUS: Hädaolukorra tekkimisel avage koheselt õlarihmad, et saaksite puhuri ära võtta.

RAKENDUS

Seadet tohib kasutada allpool loetletud eesmärkidel:

- Kõvade pindade, nt sõidu- ja kõnniteede puhastamiseks.
- Kõnni- ja sõiduteede lehtedest ja männiokastest puhastamiseks.

⚠ MÄRKUS: Seadet tohib kasutada vaid käesolevas juhendis lubatud eesmärgil. Igasugust muud kasutust loetakse väärkasutuseks.

AKUPLOKI PAIGALDAMINE/EEMALDAMINE

Laadige enne esimest kasutamist.

Kasutage ainult joonisel A esitatud akuplokke ja laadijaid.

⚠ MÄRKUS: Parima töö tagamiseks soovitame kasutada EGO 56 V akut BA2800 (5,0 Ah) või mis tahes EGO 56 V akut, millel on suurem mahutavus.

■ Paigaldamiseks (Joon.H)

Joondage aku ribad paigaldussoontega ja suruge akuplokki alla kuni kuulete klõpsatust.

■ Eemaldamiseks (Joon.I)

Vajutage akuvabastusnuppu ja tõmmake akuplokk välja.

⚠ HOIATUS: Akuvabastusnuppu vajutades jälgige alati oma jalgade ning läheduses viibivate laste ja loomade asukohaga. Akuploki kukkumine võib põhjustada raskeid vigastusi. Akuploki ei tohi eemaldada kõrges kohas töötades.

PUHURI PAIGUTAMINE

⚠ HOIATUS: Kandke sobivat riietust, et vältida puhuri kasutamise käigus vigastuste teket. Ärge kandke ehteid ega avaraid riideid. Kandke nägemis- ja kuulmiskaitsevahendeid. Kandke tugevast materjalist pikki pükse, saapaid ja kindaid. Ärge kandke lühikesi pükse ega sandaale ja ärge töötage paljajalu.

Kanderihmade reguleerimiseks

1. Pange oma käed läbi kanderihmade, et puhur seljale asetada.
2. Reguleerige mõlemad kanderihmad ajutiselt mugavasse asendisse (Joon. J), veendudes, et küünarnukk on mugavas asendis.
3. Kinnitage üle rinna käiv rihm ja kohendage vajadusel selle pikkust (Joon. K).
4. Kinnitage vöörhmf ja reguleerige selle pikkust nii, et teie puusad toetaksid puhurit mugavalt (Joon. L & M).

MÄRKUS: Puhur ei peaks teie seljal liiga kõrgel asetsema, see peaks olema teie puusadele lähemal kui õlgadele.

5. Reguleerige kanderihmad uuesti, et tagada mugavus ja turvalisus. Veenduge, et puhur on kindlalt seljale kinnitatud, et selle raskust toetaks vöörhmf ja et puhur ei liiguks ülemäära palju, kui te liigute (Joon. N).
6. Sisestage vöörhmf üleliigne pikkus mõlemal vöö küljel olevatesse elastikutesse (Joon. O).
7. Tööriista eemaldamiseks seljast vajutage rinna- ja vöörhmf kinnitust, et need vabastada, ning laske puhur seljast maha (Joon. P).

Juhtimishoova reguleerimine

1. Keerake tiibmutter lahti, et reguleerida hooba vastavalt vajadusele ette- või tahapoole (Joon. Q & R) ning seejärel keerake tiibmutter kinni, et hoova asend kinnitada.
2. Võite hooba vajadusel ka pöörata nii, et oleks mugav (Joon. S).
3. Puhastatava ala suurendamiseks liigutage toru vasakule või paremale (Joon. T).

PUHURI KÄIVITAMINE/PEATAMINE (Joon.U)

Ainult õhukiiruse päästik

- Puhuri sisselülitamiseks vajutage õhukiiruse päästikut.
- Puhuri õhukiirust saab seadistada kiiruse reguleerimise päästikuga. Suurem surve päästikule tõstab õhu väljavoolu kiirust; väiksem surve päästikule vähendab õhu väljavoolu kiirust. Reguleerige kiirust vastavalt teostatavale tööle.
- Puhuri väljalülitamiseks vabastage õhukiiruse päästik.

Ainult kiiruse / lukustamise nupp

Puhuri sisselülitamiseks ja ükskõik millisele kiirusele lukustamiseks kasutage kiiruse / lukustamise nuppu.

- Puhuri käivitamiseks keerake kiiruse / lukustamise nuppu. Nupu päripäeva keeramine suurendab õhu väljavoolu kiirust.

- Õhukiiruse vähendamiseks keerake kiiruse / lukustamise nuppu vastupäeva. ...Puhuri peatamiseks keerake kiiruse / lukustamise nuppu vastupäeva kuni asendini „väljas“.
- Puhuri peatamiseks keerake kiiruse / lukustamise nuppu vastupäeva kuni asendini „väljas“.

Märkus: Kui kiiruse / lukustamise nupp ei ole enne puhuri sisselülitamist asendis „väljas“, siis puhur kiiruse / lukustamise nupu abil ei käivitu, ka pärast laetud aku paigaldamist. See on kaitsefunktsioon juhusliku käivitamise ennetamiseks. Õhukiiruse päästiku vajutamine võib kaitse deaktiveerida.

Õhukiiruse maksimaalse taseme saavutamiseks ajutiselt vajutage seadmega töötamise ajal võimenduslülitit. Puhur naaseb eelnevalt seadistatud kiirusele võimenduslülitit vabastamisel.

Joonise U osade kirjeldus, vt allapoole:

U-1	Kiiruse / lukustamise nupp	U-3	Õhukiiruse päästik
U-2	Võimendusnupp		

NÕUANDEID PUHURI KASUTAMISEKS

- Mustuse laiali pildumise vältimiseks puhuge prahihunniku välimisi ääri mööda. Ärge suunake õhuvoolu prahihunniku keskele.
- Mürataseme vähendamiseks ärge kasutage korraka väga paljusid seadmeid.
- Enne puhumist kasutage reha või harja, et praht maa küljest eemaldada. Tõlmustes tingimustes võiks vee olemasolul tööpinda veidi niisutada.
- Jälgige laste, loomade, avatud akende ja hiljuti pestud autode asukohta ning puhuge prahti ohutus suunas.
- Pärast puhurite ja teiste seadmete kasutamist koristage tööpiirkond! Kõrvaldage praht nõuetekohaselt.
- Puhuri pikaajaline suurel kiirusel kasutamine ei ole soovitatav, sest suur vibratsioon ja müra võib kahjustada tervist.

ET

HOOLDUS

⚠ HOIATUS: Remontimisel kasutage vaid originaalvaruosi. Muude varuosade kasutamisega kaasneb oht ja võite ka seadet kahjustada. Ohutuse ja töökindluse tagamiseks tohivad seda seadet remontida ainult vastava kvalifikatsiooniga hooldustehnikud.

⚠ HOIATUS: Raskete kehavigastuste vältimiseks tuleb seadme puhastamise või hooldamise ajaks alati akuplokk eemaldada.

ÜLDINE HOOLDUS

Ärge kasutage seadme plastikpindade puhastamiseks lahusteid. Enamik plastimaterjale on erinevat tüüpi kaubanduses saadaolevate lahustite toimel kergesti lagunevad ning lahustite kasutamine võib neid kahjustada. Kasutage mustuse, tolmude, õli, rasva jm eemaldamiseks puhast lappi.

⚠ HOIATUS: Ärge kunagi laske pidurivedelikel, bensiinil, nafta baasil toodetel, läbitungivatel õlidel jms puutuda kokku plastosadega. Kemikaalid võivad plastikut vigastada, nõrgestada või hävitada, mille tulemusena võivad tekkida tõsised isikuvigastused.

HOIUSTAMINE

- Ühendage akuplokk puhuri küljest lahti.
- Eemaldage puhuri õhusissevõtuavadelt võõrkehade.
- Viige puhuri hoiustamisnupp kohakuti toru riputussoonega ja riputage puhuri toru akuhoidiku külge (Joon. V & W).
- Hoidke puhurit kinnises ruumis lastele kättesaamatus kohas. Hoidke puhurit eemal korrodeerivatest ainetest (nt aiakemikaalid ja jääsulatussoolad).

Joonise V osade kirjeldus, vt allapoole:

V-1	Puhuri toru hoiustamisnupp
V-2	Toru riputussoon

Keskkonnakaitse



Ärge visake elektriseadmeid, akulaadijat ega patareisid / akusid olmeprügi hulka!

Vastavalt Euroopa Liidu eriaruandele nr 19/2012/EÜ tuleb elektri- ja elektroonikaseadmed, mis pole enam kasutatavad, ning, vastavalt direktiivile 2006/66/EÜ, ka defektsed või kasutatud akuplokkid / patareisid, eraldi kokku koguda ja utiliseerida keskkonnasõbralikul viisil.

Kui elektriseadmed maetakse maa sisse või viiakse prügimäele, võivad ohtlikud ained põhjavekke lekkida ja toiduahelasse sattuda ning kahjustada teie tervist ja heaolu.

TÖRKEOTSING

PROBLEEM	PÕHJUS	LAHENDUS
Puhur ei tööta.	<ul style="list-style-type: none"> ■ Akuplokk pole puhuriga ühendatud. ■ Puhuri ja aku vahel puudub elektriline ühendus. ■ Akuplokk on tühi. ■ Akuplokk või puhur on liiga kuum. ■ Kiiruse / lukustamise nupp ei olnud enne puhuri sisselülitamist asendis „väljas“. 	<ul style="list-style-type: none"> ■ Kinnitage akuplokk puhuri külge. ■ Eemaldage aku, kontrollige ühendusi ja paigaldage akuplokk tagasi. ■ Laadige akuplokk. ■ Jahutage akuplokki ja puhurit kuni temperatuur langeb alla 67°C. ■ Kaitse deaktiveerimiseks vajutage õhukiiruse päästikut ja käivitage puhur või keerake kiiruse / lukustamise nupp esmalt asendisse „väljas“.
Puhumiskiirus väheneb oluliselt.	<ul style="list-style-type: none"> ■ Mootori ventilaator on väga kulunud. ■ Õhu sisselaskeava on mustust täis. 	<ul style="list-style-type: none"> ■ Võtke ühendust EGO hoolduskeskusega ja leppige kokku remondiaeg. ■ Ühendage akuplokk lahti ja puhastage.
Võimenduskiirusel lõpetab puhur töötamise.	<ul style="list-style-type: none"> ■ Puhur on kasutanud aku pealt suurt vooluhulka ja läheb automaatsele kaitsežeiimile. 	<ul style="list-style-type: none"> ■ Keerake lüliti väljalülitatud asendisse ning pärast aku LED tule kustumist käivitage puhur uuesti. Puhuri taaskäivitamiseks eemaldage aku ja ühendage see uuesti.

GARANTII

EGO GARANTIIPÕHIMÕTTED

Täielikud EGO garantiitingimused leiate veebilehelt egopowerplus.com.

ET

ПРОЧИТАЙТЕ ВСІ ІНСТРУКЦІЇ!



ПРОЧИТАЙТЕ ПОСІБНИК З ЕКСПЛУАТАЦІЇ

ПРИМІТКА. Ці інструкції також доступними в альтернативному форматі, наприклад на веб-сайті.

⚠ Залишковий ризик! Люди з електронними пристроями, наприклад кардіостимуляторами, повинні проконсультуватися зі своїм лікарем (лікарями) перед використанням цього виробу. Експлуатація електрообладнання в безпосередній близькості від кардіостимулятора може спричинити перешкоди або несправність кардіостимулятора.

⚠ ПОПЕРЕДЖЕННЯ. Для гарантування безпеки та надійності всі роботи з ремонту та заміни повинен проводити кваліфікований технічний спеціаліст.

СИМВОЛИ, ЩО СТОСУЮТЬСЯ БЕЗПЕКИ

Мета символів, пов'язаних із безпекою, – привернути вашу увагу до можливих небезпек. Символи безпеки та їхнє пояснення заслуговують на вашу пильну увагу та розуміння. Символи попереджень самі по собі не усувають будь-якої небезпеки. Інструкції та попередження, які вони надають, не замінюють належних заходів щодо запобігання аваріям.

⚠ ПОПЕРЕДЖЕННЯ. Перш ніж користуватися цим інструментом, обов'язково ознайомтеся з усіма інструкціями з безпеки, наведеними в цьому посібнику користувача, зокрема з усіма символами попереджень, такими як «НЕБЕЗПЕКА», «ПОПЕРЕДЖЕННЯ» та «ЗАСТЕРЕЖЕННЯ». Недотримання наведених нижче вказівок може спричинити ураження електричним струмом, пожежу та/або серйозні травми.

ПОВІДОМЛЕННЯ ЩОДО ЗАПОБІГАННЯ ЗАПОДІЯННЮ ШКОДИ ТА ІНФОРМАЦІЙНІ ПОВІДОМЛЕННЯ

Вони повідомляють користувачеві важливу інформацію та/або вказівки, які можуть призвести до пошкодження обладнання або іншого майна, якщо цих вказівок не буде дотримано. Кожному повідомленню передує слово «ПРИМІТКА», як у прикладі нижче:

ПРИМІТКА. Невиконання цих вказівок може призвести до пошкодження обладнання та/або майна.



⚠ ПОПЕРЕДЖЕННЯ. Використання будь-яких електроінструментів може призвести до потраплення сторонніх предметів в очі, що може спричинити серйозне пошкодження очей. Перед початком експлуатації електроінструмента завжди надягайте закриті захисні окуляри або відкриті захисні окуляри з бічними щитами та, якщо потрібно, повнопрофільну захисну маску. Ми рекомендуємо захисну маску широкого розміру для використання поверх окулярів або стандартні відкриті захисні окуляри з бічними щитами.

ВКАЗІВКИ З ТЕХНІКИ БЕЗПЕКИ

На цій сторінці зображено та описано символи, пов'язані з безпекою, які можуть відобразитися на цьому виробі. Перш ніж намагатися зібрати та експлуатувати його, ознайомтеся з усіма інструкціями на машині та дотримуйтесь їх.

	Попередження щодо безпеки	Запобіжні заходи, що стосуються вашої безпеки.
	Надягайте засоби захисту очей	Працюючи з цим виробом, завжди носіть закриті захисні окуляри чи відкриті захисні окуляри з бічними щитками або повнопрофільну захисну маску.
	Надягайте засоби захисту органів слуху	Під час роботи з цим виробом завжди використовуйте засоби захисту органів слуху.
	Прочитайте посібник з експлуатації	Щоб зменшити ризик травми, користувач повинен прочитати інструкцію оператора.
	Тримайте сторонніх подаль	Тримайте сторонніх не ближче як за 15 метрів.
V	Вольти	Напруга
A	Амperi	Струм
Hz	Герци	Частота (число циклів за секунду)
W	Вати	Потужність

min	Хвилини	Час
m ³ /h	Кубічний метр на годину	Об'єм повітря
km/h	Кілометри на годину	Швидкість повітря
~	Змінний струм	Тип струму
— — —	Постійний струм	Тип або характеристика струму
n ₀	Швидкість холостого ходу	Обертова швидкість без навантаження
... /min	На хвилину	Обертів на хвилину

Під час використання електроприладу завжди слід дотримуватися основних запобіжних заходів, зокрема:

ЗАГАЛЬНІ ПОПЕРЕДЖЕННЯ ЩОДО ТЕХНІКИ БЕЗПЕКИ РОБОТИ З ЕЛЕКТРОІНСТРУМЕНТАМИ

⚠ ПОПЕРЕДЖЕННЯ. ПРОЧИТАЙТЕ ВСІ ПОПЕРЕДЖЕННЯ БЕЗПЕКИ, ІНСТРУКЦІЇ, ІЛЮСТРАЦІЇ ТА ХАРАКТЕРИСТИКИ, НАДАНІ З ЦИМ ЕЛЕКТРОІНСТРУМЕНТОМ. Недотримання наведених нижче вказівок може спричинити ураження електричним струмом, пожежу та/або серйозні травми

ЗБЕРІГАЙТЕ ВСІ ЗАСТЕРЕЖЕННЯ ТА ІНСТРУКЦІЇ ДЛЯ ПОДАЛЬШОГО ВИКОРИСТАННЯ.

Термін «електроінструмент» у попередженнях стосується електричного інструмента, що працює від електромережі (через шнур) або від акумулятора (без шнура).

БЕЗПЕКА В РОБОЧІЙ ЗОНІ

- **Робоче місце має бути чистим і гарно освітленим.** Неприбрана або погано освітлена робоча зона може стати причиною нещасного випадку.
- **Не працюйте з інструментом у вибухонебезпечному середовищі, наприклад за наявності легкозаймистих рідин, бензину або пилу.** Під час роботи електроприладу утворюються іскри, від яких можуть зайнятися пил або випари.
- **Дітям і спостерігачам заборонено перебувати поруч з електроінструментом, що працює.** Це може відволікати вас і призвести до втрати контролю.

ЕЛЕКТРИЧНА БЕЗПЕКА

- **Штепсельні вилки електроінструмента мають підходити до розеток.** Заборонено модифікувати вилку будь-яким чином. Не використовуйте жодні штепселі-перехідники для роботи з заземленими електроінструментами. Штепселі та розетки, в які не вносилися зміни, зменшують ризик ураження електричним струмом.
- **Уникайте контакту частин тіла із заземленими поверхнями, такими як труби, батареї, плити й холодильники.** У разі заземлення тіла збільшується ризик ураження електричним струмом.
- **Бережіть електроінструмент від дощу та вологи.** Вода, що потрапила в електроінструмент, підвищує ризик ураження електричним струмом.
- **Не використовуйте шнур із порушенням норм експлуатації.** Не використовуйте шнур живлення для перенесення чи перетягування інструмента та виймання вилки з розетки. Шнур потрібно оберігати від дії тепла, від гострих кутів та рухомих частин. Пошкоджені або заплутані шнури живлення підвищують ризик ураження електричним струмом.
- **Під час роботи з електроінструментом надворі використовуйте подовжувач, призначений для зовнішніх робіт.** Використання шнура, призначеного для зовнішніх робіт, зменшує ризик ураження електричним струмом.
- **Якщо роботи з електроінструментом у вологому середовищі не unikнути, скористайтеся вимикачем короткого замикання на землю.** Використання ВКЗЗ зменшує ризик ураження електричним струмом.

ІНДИВІДУАЛЬНА ТЕХНІКА БЕЗПЕКИ

- **Під час роботи з електроінструментом будьте уважними, слідкуйте за своїми діями та мислите розсудливо. Не працюйте з електроінструментом, якщо ви втомлені або перебуваєте під дією наркотичних речовин, алкоголю чи ліків.** Навіть миттєва втрата пильності під час роботи з електроінструментами може стати причиною важкої травми.
- **Використовуйте засоби особистого захисту. Завжди носіть засоби захисту очей.** Використання у відповідних умовах таких захисних засобів як протипиловий респіратор, неслизьке захисне взуття, шолом-каска і навушники допоможе зменшити ризик травмування.

UK

- Уникайте випадкового запуску. Перш ніж підключати електроінструмент до мережі живлення чи акумулятора, брати чи переносити його, перевірте, чи встановлено перемикач у положення «вимкнено». Якщо переносити електроінструмент, тримаючи палець на перемикачі живлення, або підключати його до джерела живлення, коли перемикач живлення перебуває в положенні «увімкнено», це може призвести до травмування.
- Перш ніж вмикати електроінструмент, слід зняти всі регульовальні клини або гайкові ключі. Якщо залишити такий ключ на рухомій частині електроінструмента, це може призвести до травмування.
- Не дотягуйтеся. Завжди міцно стійте на ногах і втримуйте рівновагу. Це дає змогу краще керувати електроінструментом у разі виникнення непередбачуваних ситуацій.
- Одягайтеся належним чином. Не носіть вільного одягу або прикрас. Стежте за тим, щоб волосся, одяг та рукавиці не потрапили на рухомі частини. Вільний одяг, прикраси або довге волосся можуть потрапити в рухомі частини.
- Якщо пристрій обладнано системою видалення пилу, переконайтеся, що її правильно підключено і що ви використовуєте її належним чином. Використання пристрою для збирання пилу може зменшити безпеку, пов'язану з пилом.
- Не дозволяйте навичкам, отриманим після частого використання інструментів, змусити вас стати самовпевненими та ігнорувати принципи безпеки інструмента. Недбала дія може спричинити серйозну травму протягом доли секунди.

ВИКОРИСТАННЯ ТА ДОГЛЯД ЗА ЕЛЕКТРОІНСТРУМЕНТОМ

- Не застосовуйте силу до електроінструмента. Використовуйте належний електроінструмент відповідно до потреби. Правильно підібраний електроінструмент допоможе краще і безпечніше зробити роботу із швидкістю, яка для неї передбачена.
- Не використовуйте електроінструмент, якщо перемикач не вмикає або не вимикає його. Усі електроінструменти, якими неможливо керувати за допомогою перемикача, становлять небезпеку й підлягають ремонту.
- Перш ніж проводити будь-які налаштування, замінювати приладдя, а також перед зберіганням

вийміть штепсель із розетки або акумулятор з інструмента. Такі запобіжні заходи техніки безпеки зменшують ризик випадкового запуску електроінструмента.

- Тримайте інструмент, що не використовується, подалі від дітей і не дозволяйте особам, які не мають досвіду роботи з такими інструментами або не знайомі з цими інструкціями, користуватись електроінструментом. Електроінструменти становлять небезпеку в руках недосвідчених користувачів.
- Виконуйте належне технічне обслуговування електроінструментів. Перевіряйте їх на предмет розладнання чи блокування рухомих частин, а також будь-яких обставин, які можуть вплинути на роботу інструмента. У разі пошкодження електроінструменту слід здати в ремонт, перш ніж користуватися ним. Часто нещасні випадки трапляються внаслідок неналежного технічного обслуговування електроінструментів.
- Тримайте ріжучі інструменти гострими й чистими. Належним чином доглянуті ріжучі інструменти з гострими ріжучими краями рідше блокуються, і ними легше керувати.
- Користуйтеся електроінструментом, аксесуарами та насадками для інструмента згідно з цією інструкцією, зважаючи на робочі умови та роботу, яку слід виконати. Використання електроінструмента всупереч призначенню може стати причиною виникнення небезпечних ситуацій.
- Підтримуйте руків'я та захватні поверхні сухими, чистими, без жиру і бруду. Слизькі ручки та захватні поверхні не дають змоги безпечно тримати та керувати інструментом у непередбачених ситуаціях.

КОРИСТУВАННЯ І ДОГЛЯД ЗА АКУМУЛЯТОРНИМ ІНСТРУМЕНТОМ

- Заряджайте лише за допомогою зарядного пристрою, указанного виробником. Зарядний пристрій, який підходить для акумуляторів одного виду, може викликати ризик пожежі у випадку його використання з іншим акумулятором.
- З електроінструментами слід використовувати лише призначені для них акумуляторні батареї. Використання будь-яких інших акумуляторних батарей може призвести до травми або пожежі.
- Коли батарея не використовується, її слід тримати окремо від металевих предметів, наприклад затискачів для паперу, монет, ключів,

цвяхів, шурупів та інших дрібних предметів, які можуть замкнути клема. Коротке замикання клем акумулятора може стати причиною опіків чи пожежі.

- У надто важких умовах експлуатації з акумулятора може витікати рідина; не доторкайтесь до неї. Якщо випадково ви все ж торкнулися її, слід промити це місце водою. Якщо рідина потрапила в очі, слід також звернутися до лікаря. Рідина, яка виступає з акумулятора, може спричинити подразнення або опіки.
- Не використовуйте акумуляторну батарею або інструмент, які пошкоджено або змінено. Пошкоджені або змінені батареї можуть мати непередбачувану поведінку, що може спричинити пожежу, вибух або ризик травмування.
- Не піддавайте акумуляторну батарею або інструмент дії вогню або високих температур. Вогонь або температура вище 130°C може спричинити вибух.
- Дотримуйтесь усіх інструкцій щодо заряджання та не заряджайте акумуляторну батарею або інструмент за межами температурного діапазону, зазначеного в інструкціях. Зарядження неналежним чином або при температурах за межами вказаного діапазону може пошкодити акумулятор і збільшити ризик виникнення пожежі.

СЕРВІС

- Обслуговування електроінструмента повинен виконувати кваліфікований ремонтник із використанням лише ідентичних запасних частин. Це забезпечить нормальну роботу електроінструмента.
- Ніколи не ремонтуйте пошкоджені акумулятори. Сервісне обслуговування акумуляторних батарей має виконувати лише виробник або авторизовані постачальники послуг.

ПРОЧИТАЙТЕ ВСІ ІНСТРУКЦІ ПЕРЕД ВИКОРИСТАННЯМ ЦЬОГО ВИРОБУ!

НАВЧАННЯ

- Ніколи не дозволяйте дітям, особам з обмеженими фізичними, сенсорними або розумовими можливостями, відсутністю досвіду та знань або людям, не ознайомленим із цими інструкціями, використовувати інструмент.
- Оператор або користувач несе відповідальність за нещасні випадки або виникнення непередбачених ситуацій з іншими людьми або їхнім майном.

ПІДГОТОВКА

- Електроінструмент можна використовувати в умовах дощу або у вологих умовах. Висушіть електроінструмент після закінчення роботи.
- Перед використанням перевірте батареї або акумулятори на наявність пошкоджень. Не використовуйте прилад, якщо батарейки або акумулятор пошкоджено.

ЕКСПЛУАТАЦІЯ

- Електроінструмент можна використовувати в умовах дощу або у вологих умовах. Висушіть електроінструмент після закінчення роботи.
 - Від'єднуйте батареї або акумулятори:
 1. залишаючи інструмент;
 2. перед очищенням засмічення;
 3. перед перевіркою, чищенням або роботою в самому інструменті;
 4. якщо прилад починає незвично вібрувати.
 - Завжди зберігайте стійке положення ніг на схилах.
 - Ходіть, не біжіть.
 - Оберігайте всі охолоджувальні повітрязабірники від засмічення.
 - Рекомендується експлуатувати інструмент лише у відповідний час – не рано вранці чи пізно ввечері, коли це може потурбувати інших людей.
 - Рекомендується злегка зволожити поверхню в запиленних умовах або використовувати насадку для дрібнокрапельного обприскування.
- ⚠ ПОПЕРЕДЖЕННЯ.** Небезпека від деталей, що обертаються!
- Використовуйте повне подовження сопла повітродувки, щоб потік повітря працював близько до землі.
 - Не використовуйте пристрій біля відкритих вікон тощо.

ТЕХНІЧНЕ ОБСЛУГОВУВАННЯ ТА ЗБЕРІГАННЯ

- Тримайте всі гайки, болти та гвинти щільно затягнутими для утримання пристрою в безпечному робочому стані.
- Заміняйте зношені або пошкоджені деталі.
- Використовуйте лише справжні запасні деталі та аксесуари.

UK

- Зберігайте пристрій у сухому місці.

⚠ ПОПЕРЕДЖЕННЯ. Щоб зменшити ризик пожежі, ураження електричним струмом або травми:

ВАЖЛИВО

ПРОЧИТАЙТЕ УВАЖНО ПЕРЕД ВИКОРИСТАННЯМ.

ЗБЕРІГАЙТЕ ДЛЯ ПОДАЛЬШОГО КОРИСТУВАННЯ.

- Не допускайте, щоб повітродувка використовувалася як іграшка. Необхідна пильна увага, коли вона використовується дітьми або біля них.
- Якщо повітродувка не працює належним чином, упала, пошкоджена або потрапила у воду, поверніть її до сервісного центру.
- Не вставляйте жодні предмети в будь-які отвори. Не використовуйте, коли будь-який отвір заблоковано; бережіть отвори від пилу, ворсу, волосся та всього іншого, що може зменшити потік повітря.
- Будьте особливо обережні під час прибирання на сходах.
- Не залишайте повітродувку без нагляду, коли штепсель акумулятора вставлено. Вийміть акумулятор, коли повітродувка не використовується, і перед обслуговуванням.
- Не торкайтеся зарядного пристрою, зокрема його вилки або клем, мокрими руками.
- Не заряджайте акумуляторну батарею надворі.

⚠ ПОПЕРЕДЖЕННЯ.

- Акумуляторну батарею потрібно виїняти з приладу, перш ніж викидати його.


- Акумулятори необхідно утилізувати безпечно.

- **НЕ** намагайтесь очистити засмічення в пристрої, попередньо не виїнявши акумулятор.
- Підтримуйте повітродувку і її руків'я сухими, чистими, без жиру і бруду. Завжди використовуйте чисту ганчірку для чищення. Ніколи не використовуйте гальмівні рідини, бензин, нафтові продукти або будь-які міцні розчинники для очищення повітродувки. Дотримання цього правила зменшить ризик втрати контролю та пошкодження пластикової оболонки.

- Батареї можуть вибухнути в присутності джерела займання, наприклад індикатора. Щоб зменшити ризик серйозного травмування, ніколи не використовуйте бездротовий пристрій у присутності відкритого полум'я. Вибухла батарея може розповсюджувати сміття та хімічні речовини. У разі виявлення негайно змийте водою.
- Ніколи не запускайте пристрій, не прикріпивши відповідне обладнання. Завжди перевіряйте, чи трубку повітродувки встановлено.
- Ніколи не використовуйте повітродувку біля вогню або гарячого попелу. Використання поблизу вогню або попелу може поширити вогонь і призвести до серйозних травм та/або пошкодження майна.
- Ніколи не використовуйте повітродувку для розповсюдження хімікатів, добрив та будь-яких інших токсичних речовин. Розповсюдження цих речовин може призвести до серйозної травми оператора або сторонніх спостерігачів.
- Збережіть цю інструкцію. Часто переглядайте та використовуйте її, щоб навчати інших, хто може використовувати цей інструмент. Якщо ви надаєте комусь цей інструмент, надайте їм ці інструкції, щоб запобігти неналежному використанню виробу та можливим травмам.

ЗБЕРЕЖІТЬ ЦЮ ІНСТРУКЦІЮ!

ЕХНІЧНІ ХАРАКТЕРИСТИКИ

Напруга	56 V 
Максимальний об'єм повітря	1020 м³/год
Максимальна швидкість повітря	232 км/год
Максимальна сила повітродувки	19 Н
Діапазон рекомендованих робочих температур	-15°C–40°C
Діапазон рекомендованих температур зберігання	-20°C–70°C
Приблизний час роботи (з батареєю EGO 56 В 5,0 Агод)	15 хв (посилений режим)
	22 хв (Висока швидкість)
	120 хв (Низька швидкість)

UK

Вага повітродувки (без акумулятора, з трубкою)	5.7 кг
Вимірний рівень звукової потужності L_{WA}	94,6 дБ (А) K=0,8 дБ (А)
Рівень звукового тиску на місці вуха оператора L_{PA}	82 дБ (А) K=2,5 дБ (А)
Гарантований рівень звукової потужності L_{WA} (відповідно до 2000/14/EC)	95 дБ (А)
Вібрація a_h	0,522 m/c^2 K=1,5 m/c^2

- Вказане загальне значення вібрації виміряне за стандартним методом тестування і може використовуватися для порівняння одного інструмента з іншим;
- Заявлене сумарне значення вібрації може також використовуватись для попередньої оцінки впливу.

ПРИМІТКА. Емісія вібрації під час фактичного використання електроінструмента може відрізнитися від заявленої величини, у якій використовується інструмент. Щоб захистити оператора, користувач повинен вдягати рукавички та захисні навушники в реальних умовах використання.

СПИСОК ПРЕДМЕТІВ, ЩО ВХОДЯТЬ У КОМПЛЕКТ

НАЗВА ДЕТАЛІ	КІЛЬКІСТЬ
Повітродувка	1
Трубка повітродувки	3
Посібник користувача	1

ОПИС

ОЗНАЙОМЛЕННЯ З ПОВІТРОДУВКОЮ (рис. А & В)

1. Ручка
2. Кнопка звільнення батареї
3. Засувка
4. Електричні контакти
5. Механізм викидання
6. Отвір для входу повітря
7. Передня трубка (вигнута плоска трубка)
8. Отвір для випуску повітря
9. Передня трубка (Циліндрична трубка)

10. Середня трубка
11. Ручка керування
12. Регульовані підвісні реміні
13. Ручка для зберігання трубки повітродувки
14. Кнопка посилення
15. Регулятор швидкості/фіксатор
16. Тригер швидкості повітря
17. Гайка-баранець
18. Паз для підвішування трубки

⚠ ПОПЕРЕДЖЕННЯ. Для безпечного використання цього виробу потрібне розуміння інформації на інструменті та в цьому посібнику користувача, а також знання про проект, який ви намагаєтесь виконати. Перед використанням цього виробу ознайомтеся з усіма функціями та правилами техніки безпеки.

ЗБИРАННЯ

⚠ ПОПЕРЕДЖЕННЯ. Якщо якісь частини пошкоджені або відсутні, не користуйтеся цим інструментом, доки вони не будуть замінені. Використання цього виробу з пошкодженими або відсутніми деталями може призвести до серйозних травм.

⚠ ПОПЕРЕДЖЕННЯ. Не намагайтеся вдосконалити цю повітродувку або застосувати приладдя, не рекомендоване для неї. Кожна така заміна чи переробка є фактом неправильного користування, створює небезпечні умови й загрожує серйозними травмами.

⚠ ПОПЕРЕДЖЕННЯ. Щоб запобігти випадковому запуску, що може спричинити серйозні травми, завжди виймайте акумуляторну батарею з інструмента під час монтажу деталей.

УСТАНОВЛЕННЯ ТРУБОК ПОВІТРОДУВКИ

1. Є три трубки для повітродувки: дві передні трубки (циліндрична трубка і вигнута плоска трубка) і середня трубка (рис. С).
 2. Спочатку прикріпіть циліндричну трубку до середньої трубки. Вирівняйте один із пазів циліндричної трубки з ручкою на середній трубці (рис. D).
 3. Натисніть середню трубку вперед, доки ручка не потрапить в один із пазів. Потім поверніть середню трубку в напрямку стрілки, доки ручка не посунеться в положення фіксації (рис. E).
- Рис. С і D – див. опис деталей нижче:

UK

C-1	Циліндрична трубка	D-1	Ручка
C-2	вигнута плоска трубка	D-2	Пази для різних положень замка
C-3	Середня трубка		

ПРИМІТКА. Перед тим як середня трубка зафіксується на місці під час повороту, ви помітите вбудований упор, який створюватиме певний опір. Продовжуйте повертати трубку далі упору, доки вона повністю не стане в положення фіксації.

4. Ви можете зменшити або збільшити довжину трубки відповідно до своїх уподобань, зафіксувавши середню трубку в різних положеннях фіксації (рис. F).

Рис. F – див. опис деталей нижче:

F-1	Зафіксовано в першому положенні фіксації
F-2	Зафіксовано в другому положенні фіксації

5. Прикріпіть трубки в зборі до корпусу повітродувки таким же чином (рис. G).

Дотримуйтесь тієї ж послідовності, щоб установити вигнуту плоску трубку на повітродувку.

6. Щоб зняти трубки в зборі з корпусу повітродувки або відокремити дві трубки, спочатку поверніть трубку в напрямку розблокування, щоб відкрити засувку, а потім витягніть трубку прямо назовні.

ЕКСПЛУАТАЦІЯ

⚠ ПОПЕРЕДЖЕННЯ. Знання виробу не має робити вас небалим. Пам'ятайте, що півсекунди неувважності досить для серйозної травми.

⚠ ПОПЕРЕДЖЕННЯ. Не використовуйте приладдя чи насадки, не рекомендовані виробником цього пристрою. Використання нерекондованого приладдя чи насадок може призвести до серйозних травм.

⚠ ПОПЕРЕДЖЕННЯ. Завжди виймайте акумуляторну батарею з виробу, коли збираєте деталі, виконуєте регулювання, очищення, або коли виріб не використовується. Виймання акумулятора запобігає випадковому запуску, що може спричинити серйозні травми.

Перед кожним використанням перевірте весь виріб на наявність пошкоджених, відсутніх або зношених деталей, таких як гвинти, гайки, болти, ковпачки тощо.

Закріпіть усі затискачі та ковпачки і не використовуйте цей пристрій, доки не будуть замінені всі відсутні або пошкоджені деталі.

⚠ ПОПЕРЕДЖЕННЯ. Якщо виникне надзвичайна ситуація, від'єднайте нагрудну пряжку прямо, щоб зняти повітродувку.

ЗАСТОСУВАННЯ

Ви можете використовувати цей виріб для цілей, перелічених нижче:

- Очищення твердих поверхонь, таких як під'їзні шляхи та пішохідні доріжки.
- Прибирання листя та хвої з під'їзних шляхів і настилів.

⚠ ПРИМІТКА. Цей інструмент має використовуватись тільки за призначенням. Будь-яке інше використання вважається випадком використання не за призначенням.

УСТАНОВЛЕННЯ/ЗНЯТТЯ ТРУБКИ ПОВІТРОДУВКИ

ЗАРЯДІТЬ ПЕРЕД ПЕРШИМ ВИКОРИСТАННЯМ.

Використовуйте лише акумулятори та зарядні пристрої, перелічені на рис. А.

ПРИМІТКА. Для найкращої продуктивності ми рекомендуємо використовувати акумулятор EGO 56V BA2800 (5,0 А) або будь-який акумулятор EGO 56V з більшою ємністю.

- Установлення (рис. H)

Вирівняйте виступи на акумуляторі з кріпильними отворами та натисніть на акумуляторну батарею, доки не почуєте «кляцання».

- Видалення (рис. I)

Натисніть кнопку звільнення акумулятора та витягніть акумуляторну батарею.

⚠ ПОПЕРЕДЖЕННЯ. Завжди звертайте увагу на розташування своїх ніг, дітей або домашніх тварин, коли натискаєте кнопку звільнення батареї. Падіння акумуляторної батареї може призвести до серйозної травми. НІКОЛИ не виймайте акумуляторну батарею у високо розташованому місці.

РОЗМІЩЕННЯ НАПЛІЧНОЇ ПОВІТРОДУВКИ

⚠ ПОПЕРЕДЖЕННЯ. Одягайтеся правильно, щоб зменшити ризик травми під час роботи з цим інструментом. Не носіть вільного одягу або прикрас.

Одягайте захисні окуляри та навушники. Носіть важкі, довгі штани, міцне взуття та рукавички. Не носіть шорти, сандалі, не працюйте босоніж.

Регулювання підвісних ременів

1. Просуньте руки через наплічні ремені, щоб тримати повітродувку на спині.
2. Тимчасово відрегулюйте обидва плечові ремені у зручних положеннях (рис. J), переконавшись, що вашим ліктям зручно.
3. Прикріпіть нагрудну пряжку та за необхідності відрегулюйте довжину (рис. K).
4. Закріпіть поясну пряжку та відрегулюйте довжину таким чином, щоб наплічник надійно тримався на боках (рис. L і M).

ПРИМІТКА. Наплічник не має сидіти надто високо на спині; його слід розташувати ближче до стегон, ніж до плечей.

5. Відрегулюйте плечові ремені для безпеки та зручності. Переконайтеся, що наплічник надійно сидить на спині, при цьому вага підтримується поясным ременем, і без надмірного руху, коли ви рухаєтеся (рис. N).
6. Вставте будь-яку зайву частину поясного ремня в резинку з обох боків (рис. O).
7. Щоб зняти інструмент зі спини, просто натисніть на поясну та нагрудну пряжки, щоб відпустити їх, і опустіть інструмент (рис. P).

Регулювання ручки керування

1. Послабте гайку-баранець, щоб за необхідності відрегулювати ручку вперед або назад (рис. Q і R), а потім затягніть гайку-баранець, щоб зафіксувати положення ручки.
2. Ви також можете обертати рукоятку, як це потрібно для зручності (рис. S).
3. Щоб збільшити ділянку, яку ви прибираєте, перемістіть трубку ліворуч або праворуч (рис. T).

ЗАПУСК/ЗУПИНКА ПОВІТРОДУВКИ (рис. U)

Лише тригер швидкості повітря

- Натисніть тригер швидкості повітря, щоб увімкнути повітродувку.
- Швидкість повітря з повітродувки регулюється за допомогою тригера зі змінною швидкістю. Більший тиск на тригер підвищує швидкість подачі повітря; менший тиск на тригер знижує швидкості подачі повітря. Відрегулюйте швидкість відповідно до поставленого завдання.

- Відпустіть тригер швидкості повітря, щоб вимкнути повітродувку.

Лише ручка регулятора швидкості/фіксатора

Повітродувку можна увімкнути та зафіксувати на будь-якій швидкості за допомогою ручки регулювання швидкості/фіксації.

- Для запуску повітродувки поверніть регулятор швидкості/фіксатор за годинниковою стрілкою. Швидкість повітря збільшиться, коли регулятор повертається за годинниковою стрілкою.
- Щоб зменшити швидкість повітря, поверніть регулятор швидкості/фіксатор проти годинникової стрілки.
- Продовжуйте повертати регулятор швидкості/фіксатор проти годинникової стрілки до положення «Вимкнено», щоб зупинити повітродувку.

Примітка. Якщо перед увімкненням повітродувки регулятор швидкості/фіксатор не повернено до вимкненого положення, повітродувка не запуститься за допомогою регулятора швидкості/фіксатора, якщо встановлено заряджену батарею. Це захисна функція, яка допоможе вам запобігти випадковому запуску. Натискання важеля швидкості повітря може вимкнути захист.

Натисніть кнопку посилення, щоб тимчасово збільшити швидкість повітря до максимального рівня. Повітродувка відновить попередню швидкість, коли кнопку посилення відпущено.

Рис. U – див. опис деталей нижче:

U-1	Регулятор швидкості/фіксатор	U-3	Тригер швидкості повітря
U-2	Кнопка посилення		

ПОРАДИ З ВИКОРИСТАННЯ ПОВІТРОДУВКИ

- Щоб уникнути розсіпання сміття, обдувайте навколо зовнішніх країв купи сміття. Ніколи не дуйте прямо в центр купи.
- Щоб зменшити рівні шуму, обмежте кількість одиниць обладнання, яке використовується одночасно.
- Використовуйте граблі та мітли, щоб сміття легко відставало від землі, перед вдуванням. У пильних умовах, якщо доступна вода, злегка змочіть поверхню.
- Стежте за дітьми, домашніми тваринами, відкритими вікнами чи свіжопомитими автомобілями та вдувайте сміття безпечно.

UK

- Після використання повітродувки або іншого обладнання прибирайте! Викидайте сміття належним чином.
- Не рекомендується користуватися повітродувкою на високій швидкості протягом тривалого часу, оскільки велика вібрація та шум можуть завдати шкоди вашому здоров'ю.

ТЕХНІЧНЕ ОБСЛУГОВУВАННЯ

⚠ ПОПЕРЕДЖЕННЯ. Використовуйте для технічного обслуговування лише ідентичні запчастини. Використання будь-яких інших частин створює небезпеку або може призвести до поломки виробу. Для гарантування безпеки та надійності всі ремонтні роботи повинен проводити кваліфікований технічний спеціаліст.

⚠ ПОПЕРЕДЖЕННЯ. Щоб уникнути серйозних травм, завжди виймайте акумуляторну батарею з виробу, перш ніж очистити або виконувати будь-яке технічне обслуговування.

ЗАГАЛЬНИЙ ТЕХНІЧНИЙ ДОГЛЯД

Не застосовуйте розчинники, коли чистите пластмасові деталі. Більшість пластмас чутливі до різноманітних промислових розчинників і можуть бути ними пошкоджені. Для видалення бруду, пилу, мастила тощо користуйтеся чистою ганчіркою.

⚠ ПОПЕРЕДЖЕННЯ. Ніколи не допускайте контакту пластмасових частин із гальмівною рідиною, бензином, нафтопродуктами, проникаючими оліями і т. ін. Хімікати можуть пошкодити, ослабити або зруйнувати пластмасу, а це загрожуватиме серйозними травмами.

ЗБЕРІГАННЯ

- Вийміть акумуляторну батарею з повітродувки.
- Прибирайте всі сторонні матеріали з повітрязабірних отворів повітродувки.
- Вирівняйте ручку для зберігання трубки повітродувки з пазом для підвішування трубки та закріпіть трубку повітродувки на корпусі батарейного відсіку (рис. V і W).
- Зберігайте в замкнутому місці, недоступному для дітей. Тримайте подалі корозійні агенти, такі як садові хімікати та солі проти ожеледі.

Рис. V – див. опис деталей нижче:

V-1	Ручка для зберігання трубки повітродувки
V-2	Паз для підвішування трубки

Захист довкілля



Не викидайте електричне обладнання, зарядний пристрій та батарейки/акумулятори в побутові відходи!

Відповідно до європейського закону 2012/19/ЄС електричне та електронне обладнання, яке більше не придатне для використання, і згідно з європейським законом 2006/66/ЄС дефектні або використані акумуляторні батареї мають збиратись окремо та утилізуватись у правильний з екологічної точки зору спосіб.

Якщо електричний пристрій утилізується на сміттєзвалищі, небезпечні речовини можуть вилетіти в ґрунтові води та потрапити в харчовий ланцюг, що може зашкодити вашому здоров'ю та самопочуттю.

УСУНЕННЯ НЕСПРАВНОСТЕЙ

НЕСПРАВНІСТЬ	ПРИЧИНА	ВИРІШЕННЯ
ПОВІТРОДУВКА НЕ ПРАЦЮЄ	<ul style="list-style-type: none"> ■ Акумуляторна батарея не приєднана до повітродувки. ■ Немає електричного контакту між повітродувкою і батареєю. ■ Акумуляторна батарея розряджена. ■ Акумулятор або повітродувка занадто гарячі. ■ Перед увімкненням повітродувки регулятор швидкості/фіксатор не повернено до вимкненого положення. 	<ul style="list-style-type: none"> ■ Під'єднайте акумулятор до повітродувки. ■ Вийміть акумулятор, перевірте контакти та знову встановіть акумулятор. ■ Зарядіть акумуляторну батарею. ■ Остудіть акумулятор і повітродувку, доки температура не опуститься нижче 67 °С. ■ Натисніть тригер швидкості повітря, щоб вимкнути захист і запустити повітродувку, або поверніть регулятор швидкості/фіксатор у вимкнене положення спочатку.
Швидкість повітря значно зменшується.	<ul style="list-style-type: none"> ■ Надмірне зношення моторного вентилятора. ■ Повітрязабірник заблоковано сміттям. 	<ul style="list-style-type: none"> ■ Зверніться до сервісного центру EGO для ремонту. ■ Вийміть акумуляторну батарею, очистьте від сміття.
Повітродувка перестає працювати на підвищеній швидкості.	<ul style="list-style-type: none"> ■ Повітродувка отримує високий струм від акумулятора і переходить у режим самозахисту. 	<ul style="list-style-type: none"> ■ Вимкніть прилад за допомогою поворотного вимикача, а потім знову запустіть повітродувку після того, як індикатор акумулятора погасне. Від'єднайте акумулятор і знову підключіть його, щоб знову запустити повітродувку.

ГАРАНТІЯ

ПРАВИЛА ГАРАНТІЇ EGO

Будь ласка, відвідайте веб-сайт egopowerplus.com для отримання повних умов гарантійної політики EGO.

UK

ПРОЧЕТЕТЕ ВСИЧКИ ИНСТРУКЦИИ!



ПРОЧЕТЕТЕ РЪКОВОДСТВОТО НА ОПЕРАТОРА

ЗАБЕЛЕЖЕТЕ: Тези инструкции също са налични в алтернативен формат, напр. на уебсайт.

⚠️ Остатъчен риск! Хора с електронни устройства, като пейсмейкър трябва да се консултират с лекуващия(те) си лекар(и) преди употреба на този продукт. Работата с електрическо оборудване в непосредствена близост до сърдечен пейсмейкър може да предизвика смущение или неизправност на пейсмейкъра.

⚠️ ПРЕДУПРЕЖДЕНИЕ: За да осигурите безопасността и надеждността, всички поправки и подмени трябва да се извършват от квалифициран сервизен техник.

СИМВОЛИ ЗА БЕЗОПАСНОСТ

Целта на символите за безопасност е да превличат вниманието към възможни опасности. Символите за безопасност и обясненията към тях заслужават вашето повишено внимание и осъзнаване. Символите за безопасност сами по себе си не елиминират каквато и да е опасност. Инструкциите и предупрежденията, които предоставят не са заместители за подходящите мерки за предотвратяване на инцидент.

⚠️ ПРЕДУПРЕЖДЕНИЕ: Уверете се, че сте прочели и осъзнали всички инструкции за безопасност в това Ръководство на оператора, включително всички известяващи символи за безопасност, като "ОПАСНОСТ", "ПРЕДУПРЕЖДЕНИЕ", и "ВНИМАНИЕ" преди да използвате този инструмент. Неспазването на всички инструкции изброени долу може да доведе до електрически шок, пожар и/или сериозно нараняване.

ПРЕДОТВРАТЯВАНЕ НА ПОВРЕДА И ИНФОРМАЦИОННИ СЪОБЩЕНИЯ

Това информира потребителя за важна информация и/или инструкции, които могат да доведат до повреда на оборудването или на друго имущество, ако не се следват. Всяко съобщение се предхожда от думата „ЗАБЕЛЕЖЕТЕ“, като в примера долу:

ЗАБЕЛЕЖЕТЕ: Повреди по оборудването и/или по имуществото може да възникнат, ако тези инструкции не се спазват.



⚠️ ПРЕДУПРЕЖДЕНИЕ:

Експлоатацията на всички електрически инструменти, може да доведе до изхвърляне на чужди предмети към вашите очи, което може да доведе до сериозно нараняване на окото. Преди започване на работа с електрически инструмент, винаги носете предпазни очила със странична защита и визьор за цялото лице, когато е необходимо. Ние препоръчваме предпазна маска с широк визьор за употреба над очила или стандартни предпазни очила със странична защита.

ИНСТРУКЦИИ ЗА БЕЗОПАСНОСТ

Тази страница изобразява и описва символите за безопасност, които може да се появят по този продукт. Прочетете, осъзнайте и следвайте всички инструкции по машината преди предприемане на сглобяване или работа.

	Сигнал за безопасност	Предпазни мерки, които засягат Вашата безопасност.
	Носете защита за очите	Винаги носете предпазни очила със странична защита и предпазен екран за цялото лице, когато работите с този продукт.
	Носете защита за слуха	Винаги носете защита за слуха, когато работите с този продукт.
	Прочетете ръководството на оператора	За намаляване на риска от нараняване потребителят трябва да прочете ръководника за работа.
	Дръжте околните хора надалеч	Дръжте околните настрани поне на 15 м.
V	Волта	Напрежение
A	Ампера	Ток
Hz	Херца	Честота (цикъла за минута)
W	Вата	Мощност
min	Минути	Време
m ³ /h	Кубичен метър за час	Обем въздух

km/h	Километра в час	Скорост на въздуха
	Променлив ток	Вид ток
	Постоянен ток	Вид или характеристика на тока
n_0	Скорост без натоварване	Скорост на въртене без товар
... /min	на минута	Обороти в минута

Когато използвате електрически уред, трябва винаги да се следват основните предпазни мерки, включително следните:

ОБЩИ ПРЕДУПРЕЖДЕНИЯ ЗА БЕЗОПАСНОСТ НА ЕЛЕКТРИЧЕСКИ ИНСТРУМЕНТИ

▲ ПРЕДУПРЕЖДЕНИЕ: ПРОЧЕТЕТЕ ВСИЧКИ ПРЕДУПРЕЖДЕНИЯ ЗА БЕЗОПАСНОСТ, ИНСТРУКЦИИ, ИЛЮСТРАЦИИ И СПЕЦИФИКАЦИИ ПРЕДОСТАВЕНИ С ТОЗИ ЕЛЕКТРИЧЕСКИ ИНСТРУМЕНТ. Неспазването на всички инструкции изброени долу може да доведе до токов удар, пожар и/или сериозно нараняване.

ЗАПАЗЕТЕ ВСИЧКИ ПРЕДУПРЕЖДЕНИЯ И ИНСТРУКЦИИ ЗА БЪДЕЩА СПРАВКА.

Терминът “Електрически инструмент” в предупрежденията се отнася до захранвани от мрежата (кабелни) електрически инструменти или захранвани чрез батерия (безкабелни) електрически инструменти.

БЕЗОПАСНОСТ В РАБОТНАТА ЗОНА

- Поддържайте работната зона чиста и добре осветена. Разхвърляни или тъмни работни зони пораждат инциденти.
- Не работете с електрически инструменти в експлозивна атмосфера, като например в присъствието на запалими течности, бензин или прах. Електрическият инструмент създава искра, която може да възпламени праха или изпаренията.
- Дръжте на разстояние децата и страничните лица, докато работите с електрически инструмент. Разсейването може да причини загуба на контрол.

ЕЛЕКТРИЧЕСКА БЕЗОПАСНОСТ

- Щепселите на електроинструмента трябва да съответстват на контакта. Никога не модифицирайте щепсела по какъвто и да е начин. Не използвайте какъвто и да е адаптер със заземени електрически инструменти. Немодифицираните щепсели и съответстващите контакти ще намалят риска от електрически шок.
- Избягвайте контакт на тялото със заземени повърхности, като тръби, радиатори, кухненски печки и хладилници. Съществува повишена опасност от токов удар, ако тялото Ви е заземено.
- Не излагайте електрическите инструменти на дъжд или влажни условия. Навлизането на вода в електрическия инструмент ще увеличи риска от токов удар.
- Не злоупотребявайте с кабела. Никога не използвайте кабела за пренасяне, изтегляне или изключване от контакта на електрическия инструмент. Дръжте кабела настрана от топлина, масло, остри ръбове или движещи се части. Повредени или оплетени кабели увеличават риска от токов удар.
- Когато работите с електроинструмент на открито, използвайте удължителен кабел подходящ за употреба на открито. Употребата на кабел подходящ за употреба на открито намалява риска от електрически шок.
- Ако работата с електрическия инструмент на влажно място е неизбежна, използвайте захранване със защитен прекъсвач на веригата при неправилно заземяване (GFCI). Употребата на GFCI намалява риска от токов удар.

ЛИЧНА БЕЗОПАСНОСТ

- Внимавайте, гледайте какво правите и използвайте здрав разум, когато работите с електрически инструмент. Не използвайте електрически инструмент, когато сте уморени или когато сте под влияние на наркотици, алкохол или лекарства. Момент невнимание по време на работата с електрически инструмент, може да доведе до сериозно лично нараняване.
- Използвайте лични предпазни средства. Винаги носете защита за очите. Защитно оборудване като прахови маски, неплъзгащи се безопасно обувки, твърда каска или защита за слуха използвана при подходящи условия ще намали риска от лични наранявания.

- **Предотвратете непреднамерено пускане. Уверете се, че ключът е в изключена позиция, преди да свържете към захранване и/или батерия, повдигайки или носейки инструмента.** Носейки инструмента, докато пръстът ви е на спусъка или подаването на захранване на инструменти, които са с включен прекъсвач е предпоставка за инциденти.
- **Извадете всеки регулиращ ключ или гаечен ключ, преди да включите захранването.** Гаечен или друг ключ оставен закачен към въртящите се части на електрическия инструмент, може да доведе до лично нараняване.
- **Не се протягайте. Запазете правилна стойка и баланс по всяко време.** Това позволява по-добър контрол върху електрическия инструмент в непредвидени ситуации.
- **Облечете се подходящо. Не носете отпуснати дрехи или бижута.** Дръжте косата, дрехите и ръкавиците далеч от движещи се части. Отпуснати дрехи, бижута или дълга коса, могат да бъдат хванати в движещите се части.
- **Ако са предоставени устройства за свързване на прахоуловител или съоръжения за събиране, уверете се, че те са свързани и са правилно използвани.** Употребата на устройства за прах може да намали рисковете свързани с прах.
- **Не позволявайте на рутинността придобита от честата употреба на инструмента да позволи да станете небрежни и да игнорирате принципите за безопасност на инструмента.** Небрежно действие може да причини сериозно нараняване за част от секундата.

УПОТРЕБА И ГРИЖА ЗА ЕЛЕКТРИЧЕСКИЯ ИНСТРУМЕНТ

- **Не пресилвайте електрически инструмент.** Използвайте правилния електрически инструмент за вашата работа. Правилният електрически инструмент ще свърши работата по-добре и по-безопасно при капацитета за който е проектиран.
- **Не използвайте електрическия инструмент ако ключът не го включва или изключва.** Всеки електрически инструмент, който не може да бъде контролиран от ключа е опасен и трябва да бъде поправен.
- **Разкачете щепсела от захранването и/или батерията от електрическия инструмент, преди да извършите настройки, смяна на аксесоари или съхраняване на инструментите.** Подобни

превантивни мерки за безопасност намаляват риска от стартиране на инструмента инцидентно.

- **Дръжте свободния електрически инструмент извън достъпа до деца и не позволявайте хора, които не са запознати с електрическия инструмент или тези инструкции да работят с него.** Електрическите инструменти са опасни в ръцете на необучени потребители.
- **Поддържайте електрическите инструменти.** Проверете за разместване или блокиране на подвижни части, счупване на части, и всякакви други условия, които могат да повлияят на работата на електрическия инструмент. При повреда ремонтирайте инструмента преди употреба. Много инциденти са причинени от лошо поддържани електрически инструменти.
- **Дръжте режещите инструменти остри и чисти.** Правилно поддържани режещи инструменти, с остри режещи ръбове е по-малко вероятно да се заклещат и по-лесно се контролират.
- **Използвайте електрическия инструмент, аксесоарите, частите на инструмента и т.н в съответствие с тези инструкции, като вземете предвид условията на работа и вида работа, която ще бъде извършвана.** Употребата на електрическия инструмент за дейности различни от предназначенията може да доведе до опасни ситуации.
- **Дръжте ръкохватките и повърхностите за захващане сухи, чисти и без масло и грес.** Хлъзгавите ръкохватки и места за захващане не позволяват безопасно боравене и контролиране на инструмента при неочаквана ситуация.

УПОТРЕБА И ГРИЖА ЗА ИНСТРУМЕНТ НА БАТЕРИИ

- **Презареждайте само с зарядно устройство определено от производителя.** Зарядно устройство, което е подходящо за един тип акумулаторни батерии може да създаде риск от пожар, когато се използва с други акумулаторни батерии.
- **Използвайте електроинструменти само със специфично обозначени акумулаторни батерии.** Употребата на каквато и да е друга батерия може да създаде риск от нараняване или пожар.
- **Когато акумулаторните батерии не са в употреба ги дръжте на разстояние от други метални обекти, като кламери, монети, ключове, пирони, отвертки или други малки метални предмети, които могат да направят свързване между**

клемите. Свързване на късо на клемите на акумулаторната батерия може да причини изгаряния или пожар.

- При условия на злоупотреба, течност може да се отдели от акумулаторната батерия; предотвратете контакт. Ако инцидентно възникне контакт, изплакнете с вода. Ако течност влезе в контакт с очите, допълнително потърсете медицинска помощ. Течност отделена от акумулаторната батерия може са предизвика възпаление или изгаряния.
- Не използвайте акумулаторна батерия или инструмент, които са повредени или модифицирани. Повредените или модифицираните батерии може да проявят непредсказуемо поведение, което да доведе до пожар, експлозия или риск от нараняване.
- Не излагайте батерията или инструмента на огън или прекомерна температура. Излагане на огън или температура над 130 °C може да причини експлозия.
- Следвайте всички инструкции за зареждане и не зареждайте батерията или инструмента извън температурния обхват зададен в инструкциите. Неправилното зареждане или зареждане извън определения температурен обхват може да повреди батерията и да повиши риска от пожар.

ОБСЛУЖВАНЕ

- Обслужвайте вашия електрически инструмент чрез квалифициран техник, като използвате само идентични резервни части. Това ще осигури поддържането на безопасност на електрическия инструмент.
- Никога не поправяйте повредени акумулаторни батерии. Ремонтът на акумулаторни батерии трябва да бъде извършван от производителя или оторизиран сервиз.

ПРОЧЕТЕТЕ ВСИЧКИ ИНСТРУКЦИИ ПРЕДИ УПОТРЕБА НА ТОЗИ ПРОДУКТ!

ОБУЧЕНИЕ

- Никога не позволявайте на деца, лица с намалени физически, сетивни или умствени способности, или с липса на опит и познание, или на хора, които не са запознати с тези инструкции да използват машината.
- Операторът или потребителят е отговорен за инциденти или опасности, причинени на други хора или тяхната собственост.

ПОДГОТОВКА

- Този електрически инструмент може да бъде използван при дъжд и мокри условия. Изсушете електрическия инструмент след завършване на работата.
- Преди употреба, проверете батериите или акумулаторната батерия за повреда. Не използвайте уреда ако батериите или акумулаторната батерия са повредени.

ЕКСПЛОАТАЦИЯ

- Този електрически инструмент може да бъде използван при дъжд и мокри условия. Изсушете електрическия инструмент след завършване на работата.
- Снемете батериите или акумулаторните батерии:
 1. Когато оставяте машината;
 2. Преди почистване на задръстване;
 3. Преди проверка, почистване и работа по уреда;
 4. Ако уредът започне да вибрира необичайно.
- Винаги бъдете сигурни за стабилността на краката по наклон.
- Вървете, никога не бягайте.
- Поддържайте по всички въздушни отвори за охлаждане да няма остатъци.
- Препоръка за работа с машината само в разумни часове – не рано сутринта или късно през нощта, когато хората могат да бъдат обезпокоени.
- Препоръка за леко навлажняване на повърхностите при прашни условия или употреба на приставка за влага.

⚠ ПРЕДУПРЕЖДЕНИЕ: Опасност от въртящи се части!

- Използвайте пълното удължение на дюзата на въздуходувката, така че въздушният поток да може да работи близо до земята.
- Да не се работи с машината близо до земята, близо до отворен прозорец и т.н.

ПОДДРЪЖКА И СЪХРАНЕНИЕ

- Дръжте всички гайки, болтове и винтове затегнати за да сте сигурни, че уредът е в безопасно работно състояние.
- Подменете износените или повредените части.
- Използвайте единствено оригинални резервни части и аксесоари.

- Съхранявайте уреда само на сухи места.

⚠ ПРЕДУПРЕЖДЕНИЕ: За да намалите риска от пожар, електрически шок или нараняване:

ВАЖНО

ПРОЧЕТЕТЕ ВНИМАТЕЛНО ПРЕДИ УПОТРЕБА.

ЗАПАЗЕТЕ ЗА БЪДЕЩА СПРАВКА.

- Не позволявайте въздуходувката да се използва като играчка. Изисква се повишено внимание, когато се използва от или близо до деца.
- Ако въздуходувката не работи според очакванията, била е изпусната, повредена или изпусната във вода, върнете я в сервизен център.
- Не поставяйте какъвто и да е предмет в който и да е от отворите. Не използвайте с блокиран който и да е от отворите; поддържайте по отворите да няма прах, мъх, коса и нищо, което може да намали въздушния поток.
- Подхождате с повишено внимание, когато почиствате по стъпала.
- Не оставяйте въздуходувката без наблюдение, когато кабелът на батерията вкаран. Снемайте батерията, когато въздуходувката не се използва и преди обслужване.
- Не работете със зарядното устройство, включително с щепсела на зарядното устройство или с клемите на зарядното устройство с влажни ръце.
- Не зареждайте акумулаторната батерия на открито.

⚠ ПРЕДУПРЕЖДЕНИЕ:

- Акумулаторната батерия, трябва да бъде премахната от уреда преди да бъде предаден за скрап.

- Батерията трябва да бъде безопасно изхвърлена като отпадък.


- **НЕ** предприемайте почистване на запушвания от уреда без първо да снемете батерията.
- **Поддържайте въздуходувката и ръкохватките и сухи, чисти и без масло и грес.** Винаги използвайте чист плат, когато почиствате. Никога не използвайте спирална течност, бензин, продукти на нефтена основа или други силни разтворители за почистване на вашата въздуходувка. Следването

на тези правила ще намали риска от загуба на управление и влошаване на качествата на пластмасата по корпуса.

- **Батериите могат да експлодират в присъствието на източник на възпламеняване, като контролна лампа.** За да намалите риска от сериозно нараняване, никога не използвайте каквито и да е безжични продукти в присъствието на открит огън. Експлодирала батерия може да изхвърли остатъци и химикали. Ако се изложите на това, незабавно изплакнете с вода.
- **Никога не пускайте уреда без прикрепено подходящо оборудване.** Винаги се уверявайте, че тръбата на въздуходувката е монтирана.
- **Никога не използвайте въздуходувката близо до огън или нагорещена пепел.** Употребата близо до огън или пепел може да разпространи пожари и да доведе до сериозно нараняване и/или имуществени щети.
- **Никога не използвайте въздуходувката за разпространение на химикали, изкуствени торове или някакви други вещества.** Разпространението на тези вещества може да доведе до сериозно нараняване на оператора или околните.
- **Запазете тези инструкции.** Обръщайте се често към тях и ги използвайте за инструктиране на други, които може да използват този инструмент. Ако заемете този инструмент на някой друг, заемете им също и тези инструкции, за да се предотврати злоупотреба с продукта и вероятно нараняване.

ЗАПАЗЕТЕ ТЕЗИ ИНСТРУКЦИИ!

СПЕЦИФИКАЦИИ

Напрежение	56 V 
Максимален обем на въздуха	1020 м ³ /ч
Максимална скорост на въздуха	232 км/ч
Максимална сила на въздуходувката	19 N
Препоръчителна работна температура	-15°C-40°C
Препоръчителна температура на съхранение	-20°C-70°C

Приблизително време за работа (с EGO 56V батерия 5.0 Ah)	15 мин (форсиране)
	22 мин (висока скорост)
	120 мин (ниска скорост)
Тегло на въздуходувката (без акумулаторна батерия, с тръбата)	5.7 кг
Измерено ниво на сила на звука L_{WA}	94,6 dB(A) K=0,8 dB(A)
Ниво на звуково налягане при ухото на оператора L_{PA}	82 dB(A) K=2,5 dB(A)
Гарантирано ниво на сила на звука L_{WA} (съгласно 2000/14/EC)	95 dB(A)
Вибрации при v_h	0,522 m/s ² K=1,5 m/s ²

- Декларираният общ размер на вибрации е измерен в съответствие със стандартния метод за тест и може да бъде използван за сравнение между два инструмента;
- Декларираният общ размер на вибрации може също така да бъде използван за предварителна оценка на влиянието.

БЕЛЕЖКА: Вибрационните емисии по време на действителната употреба на електрическия инструмент може да се различава от декларираната стойност. С цел да се защити оператора, потребителят трябва да носи ръкавици и антифони в действителни условия на работа.

ОПАКОВЪЧЕН ЛИСТ

ИМЕ НА ЧАСТ	БРОЙ
Въздуходувка	1
Тръба на въздуходувката	3
Ръководство на оператора	1

ОПИСАНИЕ

ОПОЗНАЙТЕ ВАШАТА ВЪЗДУХОДУВКА

(Фиг. А & В)

1. Ръкохватка
2. Бутон за освобождаване на батерията

3. Резе
4. Електрически контакти
5. Механизъм за изваждане
6. Вход за въздух
7. Предна тръба (Извита плоска тръба)
8. Изход за въздух
9. Предна тръба (Цилиндрична тръба)
10. Средна тръба
11. Контролна ръкохватка
12. Регулируема поддържаща сбръя
13. Копче на въздуходувката за съхранение на тръбата
14. Бутон за форсиране
15. Диск за скорост / заключване
16. Спусък за скорост на въздуха
17. Крилат винт
18. Жлеб за окачане на тръбата

⚠ ПРЕДУПРЕЖДЕНИЕ: Безопасната употреба на този продукт изисква осъзнаване на информацията върху инструмента и в това ръководство с инструкции, както и познание относно проекта, с който се захващате. Преди употреба на този продукт се запознайте с работни характеристики и правила за безопасност.

МОНТАЖ

⚠ ПРЕДУПРЕЖДЕНИЕ: Ако някои от частите са повредени или липсват, не работете с този продукт, докато частите не се подменят. Използването на този продукт с повредени или липсващи части може да доведе до сериозно лично нараняване.

⚠ ПРЕДУПРЕЖДЕНИЕ: Не се опитвайте да модифицирате този продукт или да създадете аксесоари, които не се препоръчват за употреба с тази въздуходувка. Всяка такава промяна или модификация е злоупотреба и може да доведе до опасни условия с последици от възможни сериозни наранявания.

⚠ ПРЕДУПРЕЖДЕНИЕ: За да предотвратите случайно стартиране, което може да причини сериозно нараняване винаги изваждайте акумулаторната батерия от инструмента, когато сглобявате частите.

BG

МОНТИРАНЕ НА ТРЪБИТЕ НА ВЪЗДУХОДУВКАТА

1. Има три тръби за въздуходувката: две предни тръби (цилиндрична тръба и овална плоска тръба) и средна тръба (Фиг. С).
2. Първо закрепете цилиндричната тръба върху средната тръба. Подравнете всеки от жлебовете в цилиндричната тръба с бугона на средната тръба (Фиг. D).
3. Избухайте средната тръба напред, докато копчето зацели в някой от жлебовете. След това завъртете средната тръба по посока на стрелката, докато копчето се плъзне в заключена позиция (фиг. E).

Фиг. С и D описание на части виж долу:

C-1	Цилиндрична тръба	D-1	Копче
C-2	Извита плоска тръба	D-2	Жлебове за различни позиции на заключване
C-3	Средна тръба		

БЕЛЕЖКА: Преди средната тръба да се заключи на местото си по време на въртене, за усетите вградения стоп, който ще създаде малко съпротивление. Продължете да въртите тръбата след стопа, докато не се плъзне напълно в заключена позиция.

4. Може да скъсите или удължите дължината на тръбата съгласно вашите предпочитания, като заключите средната тръба в различни позиции на заключване (фиг. F).

Фиг. F описание на части виж долу:

F-1	Заключена в първа позиция на заключване
F-2	Заключена във втора позиция на заключване

5. Закрепете устройството на тръбата към корпуса на въздуходувката по същия начин (фиг. G).

Следвайте същата последователност за сглобяване на овалната плоска тръба към въздуходувката.

6. За да извадите устройството на тръбата от корпуса на въздуходувката или да отделите двете тръби, първо завъртете тръбата в посоката за отключване, за да деактивирате резето и след това издърпайте тръбата право навън.

BG

ЕКСПЛОАТАЦИЯ

⚠ ПРЕДУПРЕЖДЕНИЕ: Не позволявайте рутината с този продукт да ви направи непредпазливи. Запомнете, че невнимание за малка част от секундата е достатъчна за да нанесе сериозно нараняване.

⚠ ПРЕДУПРЕЖДЕНИЕ: Не използвайте други приставки или аксесоари, които не са препоръчани от производителя на този продукт. Употребата на приставки или аксесоари, които не са препоръчани, може да доведе до сериозно нараняване.

⚠ ПРЕДУПРЕЖДЕНИЕ: Винаги изваждайте акумулаторната батерия от продукта, когато монтирате части, правите настройки, почиствате или когато не е в употреба. Снемането на акумулаторната батерия ще предотврати инцидентно стартиране, което може да предизвика сериозно нараняване.

Преди всяка употреба инспектирайте целия продукт за повредени, липсващи или разхлабени части като винтове, гайки, болтове, капачки и др. Затегнете сигурно всички закопчалки и капачки и не работете с този продукт, докато всички повредени или липсващи части са подменени.

⚠ ПРЕДУПРЕЖДЕНИЕ: Ако настъпи аварийна ситуация, директно разединете закопчането на гърдите, за да свалите въздуходувката.

ПРИЛОЖЕНИЕ

Може да използвате този продукт за целите описани долу:

- Почистване на твърди повърхности като алеи и пътеки.
- Поддържане на площадки и алеи без листа и иглички от иглолистни дървета.

⚠ ЗАБЕЛЕЖЕТЕ: Инструментът трябва да бъде използван само за предназначения цели. Всяка друга употреба се смята за случай на злоупотреба.

МОНТИРАНЕ/ИЗВАЖДАНЕ НА АКУМУЛАТОРНАТА БАТЕРИЯ

ЗАРЕДЕТЕ ПРЕДИ ПЪРВАТА УПОТРЕБА.

Използвайте само с акумулаторни батерии и зарядни устройства изброени на фиг. A.

БЕЛЕЖКА: За най-добра работа, препоръчваме използването на EGO 56V батерия BA2800 (5.0 Ah) или всяка EGO 56V батерия с по-голям капацитет.

■ За да монтирате (Фиг. Н)

Подравнете ребрата на батерията с монтажните жлеbove и натиснете батерията надолу, докато чуete “клик”.

■ За да извадите (Фиг. I)

Натиснете бутона за освобождаване на батерията и издърпайте акумулаторната батерия навън.

▲ ПРЕДУПРЕЖДЕНИЕ: Винаги обръщайте внимание на местоположението на краката си, деца или домашни любимци, когато бутона за освобождаване на акумулаторната батерия. Може да възникне сериозно нараняване, ако акумулаторната батерия падне. НИКОГА не премахвайте акумулаторната батерия, когато сте на високо място.

ПОЗИЦИОНИРАНЕ НА ВЪЗДУХОДУВКАТА С РАНИЦА

▲ ПРЕДУПРЕЖДЕНИЕ: Облечете се правилно за да намалите риска от нараняване, когато работите с този инструмент. Не носете отпуснати дрехи или бижута. Носете защита за очите и защита за очите/слуха. Носете тежки, дълги панталони, ботуши и ръкавици. Не носете къси панталони или сандали или не ходете бос.

За да регулирате поддържащата сброя

1. Вкарайте ръцете си през ремъците на раницата за да задържите въздуходувката на гърба си.
2. Временно регулирайте и двата ремъка за раменете в удобна позиция (фиг. J), като се уверите, че е удобно на лакътя.
3. Заклучете катарамата на гърдите и регулирайте дължината ако е необходимо (фиг. K).
4. Заклучете катарамата на кръста и регулирайте дължината, така че раницата да е сигурно закрепена на ханша (фиг. L & M).

БЕЛЕЖКА: Раницата не трябва да стои твърде високо на гърба, трябва да бъде позиционирана по-близо до ханша отколкото до раменете.

5. Регулирайте отново ремъците на раменете за сигурност и комфорт. Уверете се, че раницата стои сигурно на гърба ви, като теглото се поема от ремъка на кръста и няма излишни движения, когато се движите (фиг. N).
6. Вкарайте остатъчната дължина на колана около кръста в ластичите от двете страни (фиг. O).
7. За да отделите инструмента от гърба си, просто натиснете катарамите за да ги освободите и свалете инструмента. (фиг. P).

За да регулирате ръкохватката за управление

1. Разхлабете крилатия винт за да регулирате ръкохватката напред или назад, при необходимост (фиг. Q и R) и след това затегнете крилатия винт за да обезопасите позицията на ръкохватката.
2. Може също да завъртите ръкохватката, както е необходимо за удобство (фиг. S).
3. За да увеличите зоната на почистване, преместете тръбата наляво или надясно (фиг. T).

ПУСКАНЕ/СПИРАНЕ НА ВЪЗДУХОДУВКАТА (Фиг. U)

Спусък само за скорост на въздуха

- Натиснете спусъка за да включите захранващата глава.
- Скоростта на въздуха на въздуходувката се управлява от спусък за промяна на скоростта. Повече натиск върху спусъка води до по-висока скорост на издухване, по-малък натиск върху спусъка води до по-ниска скорост на издухване. Регулирайте скоростта за да е подходяща за настоящата задача.
- Освободете спусъка за скорост на въздуха за да изключите въздуходувката.

Диск само за скорост / заклочване

Въздуходувката може да бъде включена и заклочена на някоя скорост с диска за скорост / заклочване.

- Завъртете диска за скорост по часовника, за да стартирате въздуходувката. Скоростта на въздуха ще се увеличи, когато дискът е завъртян по часовника.
- За да намалите скоростта на въздуха, завъртете диска за скорост/заклучване обратно на часовника.
- Продължете да въртите диска за скорост / заклочване обратно на часовника до изкл. позиция за да спрете въздуходувката.

Забележете: Ако дискът за скорост / заклочване не е завъртян обратно на изключена позиция, преди стартиране на въздуходувката, тя няма да стартира чрез диска за скорост / заклочване, когато заредената батерия е поставена. Това е защитна функция, която помага за предотвратяване на инцидентно стартиране. Натискането на спусъка за скоростта на въздуха може да деактивира защитата.

Натиснете бутона за форсиране, докато работите, за да увеличите временно скоростта на въздуха на максимално ниво. Въздуходувката ще възстанови предишната скорост, когато бутонът за форсиране е освободен.

Фиг. U описание на части виж долу:

U-1	Диск за скорост / заклучване	U-3	Спусък за скорост на въздуха
U-2	Бутон за форсиране		

СЪВЕТИ ЗА ИЗПОЛЗВАНЕ НА ВЪЗДУХОДУВКАТА

- За да се предпазите от разхвърляне на остатъци, издухайте около външните граници на купчината с остатъци. Никога не духайте директно в центъра на купчината.
- За да намалите звуковото ниво, ограничете броя на частите от оборудването, които се използват по едно и също време.
- Използвайте гребла и метли за снемане на остатъци преди издухване. При прашни условия, леко навлажнете повърхността, ако е налична вода.
- Внимавайте за деца, домашни любимци, отворени прозорци или скоро измити коли и издухвайте остатъците по безопасен начин.
- След използване на въздуходувки или друго оборудване, почистете! Изхвърляйте остатъците по подходящ начин.
- Не се препоръчва употребата на вентилатора на висока скорост продължително време, защото големите вибрации и шум може да са вредни за Вашето здраве.

ПОДДРЪЖКА

⚠ ПРЕДУПРЕЖДЕНИЕ: Когато обслужвате, използвайте само идентични резервни части. Употребата на каквито и да е други части може да създаде опасност или да предизвика повреда на продукта. За да осигурите безопасността и надеждността, всички поправки трябва да се извършват от квалифициран сервизен техник.

BG

⚠ ПРЕДУПРЕЖДЕНИЕ: За да избегнете нараняване, винаги сменяйте акумулаторната батерия от продукта, когато почиствате или извършвате поддръжка.

ОБЩА ПОДДРЪЖКА

Избягвайте употребата на разтворители, когато почиствате пластмасовите части. Повечето пластмасови части са уязвими на повреда от различни видове разтворители в търговската мрежа и може да се повредят от тяхната употреба. Използвайте чист плат, за премахване на мръсотия, прах, масло и т.н.

⚠ ПРЕДУПРЕЖДЕНИЕ: Никога не позволявайте спирачна течност, бензин, петролни продукти, проникващи масла и т.н. да влизат в контакт с пластмасовите части. Химикалите могат да повредят, отслабят или разрушат пластмаса, което може да доведе сериозно нараняване.

СЪХРАНЕНИЕ

- Извадете акумулаторната батерия от въздуходувката.
- Почистете всички чужди материали от въздушния отвор на въздуходувката.
- Подравнете копчето на въздуходувката за съхранение на тръбата с жлеба за окачане на тръбата и закачете тръбата на въздуходувката в отделението на корпуса (фиг. V и W).
- Съхранявайте на затворено пространство, което е недостъпно до деца. Пазете от корозивни препарати като градински химикали и сол за обезледяване.

Фиг. V описание на части виж долу:

V-1	Копче на въздуходувката за съхранение на тръбата
V-2	Жлеб за окачане на тръбата

Опазване на околната среда



Не изхвърляйте електрическо оборудване, зарядно устройство за акумулаторни батерии и батерии/ акумулаторни батерии в домакинския отпадък.

Съгласно европейския закон 2012/19/EU, електрическо и електронно оборудване, което повече не може да се използва и съгласно европейското законодателство 2006/66/ЕС, дефектните или използваните акумулаторни батерии/ батерии трябва да се събират отделно и да се изхвърлят по подходящ за околната среда начин.

Ако се изхвърлят електрически уреди в сметища или буница, опасни вещества могат да изтекат в подпочвените води и да попаднат в хранителната верига, като увредят вашето здраве и благосъстояние.

ОТСТРАНЯВАНЕ НА НЕИЗПРАВНОСТИ

ПРОБЛЕМ	ПРИЧИНА	РЕШЕНИЕ
Въздуходувката не работи.	<ul style="list-style-type: none"> ■ Акумулаторната батерия не е прикрепена към въздуходувката. ■ Няма електрически контакт между въздуходувката и батерията. ■ Акумулаторната батерия е изтощена. ■ Акумулаторната батерия или въздуходувката са твърде горещи. ■ Дискът за скорост/заклучване не е завъртян на обратно на изключена позиция, преди включване на въздуходувката. 	<ul style="list-style-type: none"> ■ Закрепете акумулаторната батерия към въздуходувката. ■ Извадете батерията, проверете контактите и поставете наново акумулаторната батерия. ■ Сменете акумулаторната батерия. ■ Охладете батерията и въздуходувката, докато температурата спадне под 67°C. ■ Натиснете спусъка, за да деактивирате защитата и да стартирате въздуходувката или завъртете диска за скорост/заклучване първо на изключена позиция.
Скоростта на въздуха значителна намалява.	<ul style="list-style-type: none"> ■ Прекомерно износване на вентилатора на двигателя. ■ Въздушният отвор е блокиран от остатъци. 	<ul style="list-style-type: none"> ■ Свържете се с сервизния център на EGO за ремонт. ■ Извадете акумулаторната батерия, почистете остатъците.
Издухвачът спира да работи на турбо скорост.	<ul style="list-style-type: none"> ■ Издухвачът консумира висок ток от акумулатора и преминава в режим на автоматична защита. 	<ul style="list-style-type: none"> ■ Изключете дисковия превключвател, след това стартирайте издухвача отново след като светодиодът на батерията изгасне. Отстранете батерията и свържете акумулаторния комплект отново, за да рестартирате издухвача.

ГАРАНЦИЯ

ГАРАНЦИОННА ПОЛИТИКА EGO

Моля посетете уебсайта egopowerplus.com за пълните условия по гаранционната политика на EGO.

PROČITAJTE UPUTE U CIJELOSTI!



PROČITAJTE KORISNIČKI PRIRUČNIK

OBAVIJEST: Ove upute bit će dostupne i u alternativnom formatu, npr. na internetskoj stranici.

⚠️ Preostale opasnosti! Osobe s elektroničkim uređajima poput srčanih elektrostimulatora prije korištenja ovog proizvoda trebaju se posavjetovati sa svojim liječnikom. Rad električne opreme u neposrednoj blizini srčanih elektrostimulatora može prouzročiti smetnju ili kvar srčanog elektrostimulatora.

⚠️ UPOZORENJE! Radi osiguranja sigurnosti i pouzdanosti sve popravke i zamjene treba obavljati kvalificirani servisni tehničar.

SIGURNOSNI SIMBOLI

Svrha sigurnosnih simbola je skretanje pozornosti na moguće opasnosti. Sigurnosni simboli i njihova objašnjenja zahtijevaju vašu potpunu pozornost i razumijevanje. Sami simboli upozorenja ne isključuju opasnost. Upute i upozorenja koja pružaju nisu zamjena za propisne mjere za prevenciju nesreća.

⚠️ UPOZORENJE! Prije korištenja ovog alata pobrinite se da sve upute u ovom korisničkom priručniku, uključujući sve sigurnosne simbole kao što su **"OPASNOST"**, **"UPOZORENJE"**, **"OPREZ"** pročitate s razumijevanjem. Zanemarivanje svih uputa navedenih u nastavku može rezultirati strujnim udarom, požarom i/ili teškim tjelesnim ozljedama.

INFORMATIVNE I PORUKE O SPRJEČAVANJU OŠTEĆENJA

One korisnika obavještavaju o važnim informacijama i/ili uputama i ako ih se ne pridržavate, može doći do oštećenja opreme ili druge imovine. Ispred svake poruke istaknuta je riječ „**OBAVIJEST**“, kao u donjem primjeru:

OBAVIJEST: Može doći do oštećenja opreme i/ili imovine u slučaju ne pridržavanja ovih uputa.





⚠️ UPOZORENJE! Rukovanje električnim alatima može rezultirati odbacivanjem stranih predmeta u oči što opet može izazvati teška oštećenja očiju. Prije početka rukovanja električnim alatom uvijek nosite zatvorene zaštitne naočale ili zaštitne naočale s bočnim štitnicima, a prema potrebi i štitnik za cijelo lice. Preporučujemo nošenje sigurnosne maske širokog vidnog polja preko naočala, ili nošenje standardnih zaštitnih naočala s bočnim štitnicima.

SIGURNOSNE NAPOMENE

Na ovoj stranici slikovno su prikazani i objašnjeni sigurnosni simboli koji se mogu pojaviti na ovom proizvodu. Prije pokušaja sastavljanja i rukovanja s razumijevanjem pročitajte sve upute na stroju i pridržavajte ih se.

	Simbol upozorenja	Mjere opreza koje se odnose na vašu sigurnost.
	Nosite zaštitu za oči.	Kada rukujete ovim proizvodom, uvijek nosite zatvorene zaštitne naočale ili zaštitne naočale s bočnim štitnicima i štitnik za cijelo lice.
	Nosite zaštitu za sluh.	Kada upotrebljavate proizvod, nosite zaštitu za sluh.
	Pročitajte korisnički priručnik	Korisnik mora radi smanjenja opasnosti od ozljede pročitati korisnički priručnik.
	Promatrače držite na udaljenosti.	Sve promatrače držite na udaljenosti barem 15 m.
V	Volt	Napon
A	Amperi	Struja
Hz	Herc	Frekvencija (ciklusi u sekundi)
W	Vat	Snaga
min	Minuta	Vrijeme
m ³ /h	Kubnih metara na sat	Volumen zraka
km/h	Kilometara na sat	Brzina strujanja zraka

	Izmjenična struja	Vrsta struje
	Istosmjerna struja	Vrsta ili karakteristike struje
n_0	Brzina bez opterećenja	Broj okretaja u praznom hodu
... /min	U minuti	Okretaji u minuti

Pri korištenju električnih uređaja potrebno je uvijek pridržavati se osnovnih mjera opreza uključujući sljedeće:

OPĆA UPOZORENJA O SIGURNOSTI ELEKTRIČNIH ALATA

⚠ UPOZORENJE: PROČITAJTE SVA SIGURNOSNA UPOZORENJA, SVE UPUTE, ILUSTRACIJE I SPECIFIKACIJE ISPORUČENE S OVIM ELEKTRIČNIM ALATOM. Zanemarivanje svih uputa navedenih u nastavku može rezultirati strujnim udarom, požarom i/ili teškim ozljedama.

SVA UPOZORENJA I UPUTE SPREMITE ZA BUDUĆE POTREBE.

Pojam „električni alat“ se u upozorenjima odnosi na sav alat s mrežnim napajanjem (s priključnim kablom) ili s baterijskim napajanjem (bez priključnog kabla).

SIGURNOST RADNOG PODRUČJA

- **Područje za rad održavajte čistim i dobro osvijetljenim.** Pretrpana ili mračna područja izazivaju nesreće.
- **Električni alat ne upotrebljavajte u eksplozivnim okruženjima, primjerice u prisutnosti zapaljivih tekućina, benzina ili prašine.** Električni alat stvara iskre koje mogu zapaliti prašinu ili isparenja.
- **Dok se koristite električnim alatom, djecu i promatrače udaljite od mjesta rada.** Ometanje može dovesti do gubitka kontrole nad alatom.

ELEKTRIČNA SIGURNOST

- **Utičkači električnog alata moraju odgovarati utičnicima. Ne izvodite nikakve preinake na utikaču. Ne koristite adapterske utikače s uzemljenim električnim alatom.** Nepreinačeni utikači i odgovarajuće utičnice smanjit će rizik od strujnog udara.
- **Izbjegavajte kontakt tijela s uzemljenim ili metalnim površinama kao što su slavine, radijatori, peći i hladnjaci.** Opasnost od električnog udara se povećava ako je vaše tijelo spojeno s uzemljenom površinom ili tlom.

- **Električni alat ne izlažite kiši ili mokrim uvjetima.** Prodiranje vode u električni alat povećat će rizik od strujnog udara.
- **Kabel ne koristite nepropisno. Kabel ne koristite za nošenje, povlačenje ili iskopčavanje električnog alata. Kabel držite dalje od topline, ulja, oštih rubova ili pokretnih dijelova.** Oštećeni ili isprepleteni kabeli povećavaju rizik od strujnog udara.
- **Kada električnim alatom radite na otvorenom, koristite produžni kabel prikladan za uporabu na otvorenom.** Korištenje kabla prikladnog za uporabu na otvorenom smanjuje rizik od strujnog udara.
- **Ako je upotreba električnog alata na vlažnom mjestu neizbježna, koristite električno napajanje koje je zaštićeno sklopkom za zaštitu od dozemnog spoja.** Upotreba takve sklopke smanjit će rizik od strujnog udara.

OSOBNA SIGURNOST

- **Budite oprezni i koncentrirajte se na posao koji obavljate i ponašajte se razumno pri korištenju električnog alata. Nemojte raditi s električnim alatom ako ste umorni ili pod utjecajem droge, alkohola ili lijekova.** Trenutak nepažnje tijekom rada s električnim alatom može rezultirati teškim tjelesnim ozljedama.
- **Koristite osobnu zaštitnu opremu. Nosite zaštitu za oči.** Osobna zaštitna oprema kao što je maska protiv prašine, zaštitne cipele s potplatama protiv klizanja, zaštitna kaciga ili štitnici za sluh, koja se koristi za odgovarajuća stanja, umanjit će opasnost od ozljede.
- **Spriječite nehotično uključivanje alata. Prije nego alat povežete na izvor napajanja i/ili dio sa baterijom, podignite ili nosite alat provjerite nalazi li se prekidač u položaju “isključeno”.** Nošenje alata s prstom na sklopki ili priključivanje alata na napajanje s uključenom sklopkom pogoduje nezgodama.
- **Skinite s alata sve ključeve za podešavanje ili pritezanje prije uključivanja njegovog napajanja.** Viličasti ključ ili ključ za stezanje glave koji su ostali na rotirajućem dijelu električnog alata mogu izazvati ozljede.
- **Nemojte se pretjerano naginjati. Cijelo vrijeme održavajte odgovarajuće držanje i ravnotežu.** Na taj način ćete zadržati bolju kontrolu nad alatom u nepredviđenim situacijama.
- **Obucite se prikladno. Ne nosite široku odjeću ili nakit. Kosu, odjeću i rukavice držite dalje od pokretnih dijelova.** Pokretni dijelovi mogu zahvatiti široku odjeću, nakit ili dugu kosu.
- **Ako postoje uređaji za povezivanje s usisivačima i skupljačima prašine, provjerite jesu li dobro spojeni i koriste li se ispravno.** Uporaba uređaja za prašinu

smanjuje opasnost koja nastaje nakupljanjem prašine.

- **Nemojte dopustiti da vas poznavanje alata stečeno čestom uporabom učini samodopadnim te da ignorirate sigurnosna načela za alat.** Nemarne radnje mogu rezultirati teškim ozljedama u djeliću sekunde.

KORIŠTENJE I BRIGA O ELEKTRIČNOM ALATU

- **Nemojte preopterećivati električni alat. Koristite alat koji odgovara poslu koji obavljate.** S prikladnim električnim alatom ćete posao obaviti bolje i sigurnije i predviđenom brzinom.
- **Nemojte koristiti alat ako ga sklopkom ne možete uključiti ili isključiti.** Električni alat koji se ne može uključiti ili isključiti sklopkom opasan je i treba ga popraviti.
- **Prije podešavanja, mijenjanja nastavaka ili spremanja alata izvadite utikač iz utičnice i/ili iz alata izvadite baterije.** Ova preventivna sigurnosna mjera će smanjiti opasnost od nehotičnog pokretanja električnog alata.
- **Električni alat koji ne koristite spremite izvan dohvata djece i nemojte dozvoliti da njime rade osobe koje nisu upoznate s električnim alatom ili s ovim uputama za rad s električnim alatom.** Električni alati su opasni u rukama neizvježbanih osoba.
- **Održavajte električni alat. Provjerite da pokretni dijelovi alata nisu necentrirani ili zaglavljani, da nema polomljenih dijelova i drugih stanja koja mogu utjecati na rad električnog alata. Ako ima oštećenja, svakako ih prije korištenja otklonite.** Mnoge nezgode su nastale upravo zbog slabog održavanja električnog alata.
- **Rezne alate održavajte oštroma i čistima.** Pravilno održavani rezni alati s oštrim reznim bridovima manje su skloni zaglavljivanju i njima se lakše upravlja.
- **Koristite električne alate, dodatke i nastavke u skladu s ovim uputama, uzimajući u obzir radne uvjete i vrstu rada koji ćete obavljati.** Upotreba električnog alata za radove za koje on nije predviđen može dovesti do opasnih stanja.
- **Rukohvate i površinu rukohvata održavajte suhim, čistim i očišćenim od ulja i masti.** Skliski rukohvati i skliske površine rukohvata onemogućuju sigurno rukovanje i upravljanje alatom u neočekivanim situacijama.

KORIŠTENJE I NJEGA BATERIJSKOG ALATA

- **Punjenje obavljajte samo s punjačem kojeg je naveo proizvođač.** Punjač koji je prikladan za jedan tip kompleta baterija može stvoriti rizik od požara ako ga se koristi s drugim kompletom baterija.

- **Električni alat koristite samo s izričito navedenim kompletima baterija.** Korištenje drugih kompleta baterija može stvoriti rizik od ozljeda i požara.
- **Kada baterijski modul nije u upotrebi, čuvajte ga što dalje od metalnih predmeta kao što su spajalice, novčići, ključevi, čavli, vijci i drugi mali metalni predmeti koji mogu kratko spojiti priključke.** Kratko spajanje baterijskih kontakata može prouzročiti opekline ili požar.
- **U slučaju pogrešne uporabe, baterija može izbaciti tekućinu; izbjegavajte kontakt.** Ako slučajno dođe do doticaja, mjesta doticaja isperite vodom. Ako tekućina dođe u doticaj s očima, dodatno potražite pomoć liječnika. Tekućina koju izbaci baterija može prouzročiti nadražaj kože ili opekline.
- **Ne upotrebljavajte oštećene ili preinačene baterijski modul ili alat.** Oštećene ili preinačene baterije mogu pokazati nepredvidivo ponašanje koje može rezultirati požarom, eksplozijom ili opasnošću od ozljeda.
- **Baterijski modul i alat ne izlažite vatri ili previsokoj temperaturi.** Izlaganje vatri ili temperaturi višoj od 130 °C može prouzročiti eksploziju.
- **Pridržavajte se svih uputa za punjenje i baterijski modul ili alat nemojte puniti izvan okvira temperaturnog raspona navedenog u uputama.** Nepropisno punjenje ili punjenje pri temperaturama izvan okvira određenog raspona može oštetiti bateriju i povećati opasnost od požara.

SERVISIRANJE

- **Servisiranje električnog alata prepustite kvalificiranom osoblju za popravak koje upotrebljava samo identične zamjenske dijelove.** Time će se osigurati održavanje sigurnosti električnog alata.
- **Ne servisirajte oštećene baterijske module.** Servisiranje baterijskih modula smiju obavljati samo proizvođač ili ovlašteni serviseri.

PROČITAJTE SVE UPUTE PRIJE UPORABE OVOG PROIZVODA!

OBUKA

- **Nemojte nikada dopustiti da djeca i osobe ograničenih fizičkih, osjetilnih ili metalnih sposobnosti ili nedovoljnog iskustva i znanja ili osobe koje nisu upoznate s ovim uputama upotrebljavaju ovaj stroj.**
- **Rukovatelj ili korisnik odgovoran je za nesreće ili opasnosti za druge osobe ili njihovu imovinu.**

PRIPREMA

- Ovaj električni alat može se upotrebljavati po kiši i u mokrim uvjetima. Osušite električni alat nakon završenog posla.
- Prije uporabe provjerite jesu li baterije ili baterijski moduli oštećeni. Nemojte upotrebljavati uređaj ako su baterije ili baterijski modul oštećeni.

RAD

- Ovaj električni alat može se upotrebljavati po kiši i u mokrim uvjetima. Osušite električni alat nakon završenog posla.
- Odspojite baterije ili baterijske module:
 1. kada ostavljate stroj bez nadzora;
 2. prije uklanjanja blokade;
 3. prije provjere, čišćenja ili rada na stroju;
 4. ako uređaj počne neobično vibrirati.
- Uvijek osigurajte dobro uporište na kosinama.
- Hodajte, nemojte trčati.
- Svi ulazi zraka za hlađenje moraju biti očišćeni od nečistoća.
- Preporučujemo da stroj upotrebljavate samo u razumna doba dana – ne rano ujutro ili kasno navečer kada možete smetati ljudima.
- U prašnjavim uvjetima preporučujemo blago navlažiti površine ili uporabu priključka raspršivača.

⚠ UPOZORENJE: Opasnost od rotirajućih dijelova!

- Upotrebljavajte cijeli nastavak s mlaznicom puhalo kako bi zrak strujao blizu tla.
- Stroj nemojte upotrebljavati u blizini otvorenih prozora i sl.

ODRŽAVANJE I SKLADIŠTENJE

- Sve matice, svornjake i vijke održavajte pritegnutima kako biste bili sigurni da je uređaj u sigurnom radnom stanju.
- Zamijenite istrošene ili oštećene dijelove.
- Upotrebljavajte samo originalne zamjenske dijelove i pribor.
- Držite uređaj na suhom mjestu.

⚠ UPOZORENJE: Radi smanjenja opasnosti od požara, strujnog udara ili ozljeda:

VAŽNO!

POZORNO PROČITAJTE PRIJE UPORABE.

SAČUVAJTE ZA BUDUĆE POTREBE.

- Puhalo se ne smije upotrebljavati kao igračka. Potreban je strogi nadzor ako ga upotrebljavaju djeca ili ako se upotrebljava u blizini djece.
- Ako puhalo ne radi propisno, ako je ispalo, oštećeno ili ako je palo u vodu, odnesite ga u servisni centar.
- Nemojte stavljati predmete u otvore uređaja. Nemojte upotrebljavati uređaj ako su otvori blokirani. Otvore održavajte očišćenim od prašine, vlakana, dlaka i svega ostalog što može smanjiti protok zraka.
- Budite posebno oprezni kada čistite na stepeništu.
- Puhalo nemojte ostavljati bez nadzora nakon umetanja utikača baterije. Izvadite bateriju kada ne upotrebljavate puhalo i prije radova servisiranja.
- Punjačem, utikačem i priključcima punjača ne rukujte mokrim rukama.
- Baterijski modul nemojte puniti na otvorenom prostoru.

⚠ UPOZORENJE:

- Prije odlaganja uređaja na otpad, baterijski modul potrebno je izvaditi iz uređaja.

- Bateriju je potrebno zbrinuti na siguran način.

- **NEMOJTE** pokušavati ukloniti začepljenja iz uređaja ako prije toga niste izvadili bateriju.
- Puhalo i njegove drške održavajte suhim, čistim i očišćenim od ulja i masti. Za čišćenje uvijek upotrebljavajte čistu krpu. Za čišćenje puhalo nemojte nikada upotrebljavati koćione tekućine, benzin, proizvode na bazi nafte ili jaka otapala. Pridržavanjem ovog pravila smanjit će se opasnost od gubitka kontrole nad uređajem i trošenje plastičnih dijelova kućišta.
- Baterije mogu eksplodirati u prisutnosti izvora paljenja poput pomoćnog plamenika. Radi smanjenja opasnosti od teških tjelesnih ozljeda bežični proizvod nemojte nikada upotrebljavati u prisutnosti otvorenog plamena. Eksplozivna baterija može odbaciti krhotine i kemikalije. U slučaju izlaganja zahvaćena mjesta odmah isperite vodom.
- Uređaj nemojte nikada pokretati bez propisno pričvršćene opreme. Uvijek provjerite je li postavljena cijev puhalo.

- **Nikada ne upotrebljavajte puhalo blizu vatre ili vrućeg pepela.** Uporaba u blizini vatre ili pepela može izazvati požar i rezultirati teškim povredama i/ili materijalnim štetama.
- **Puhalo nemojte nikada upotrebljavati za raspršivanje kemikalija, gnojiva ili drugih toksičnih tvari.** Raspršivanje takvih tvari može rezultirati teškim povredama rukovatelja ili drugih prisutnih osoba.
- **Sačuvajte ove upute.** Uputama se koristite često i koristite ih za upućivanje drugih osoba koje mogu upotrebljavati ovaj alat. Ako ovaj alat nekom posudite, priložite i ove upute radi sprečavanja nepropisne uporabe proizvoda i mogućih ozljeda.

SAČUVAJTE OVE UPUTE!

TEHNIČKI PODACI

Napon	56 V
Maksimalna količina zraka	1020 m ³ /h
Maksimalna brzina zraka	232 km/h
Maksimalna snaga puhalo	19 N
Preporučena radna temperatura	-15 °C - 40 °C
Preporučena temperatura skladištenja	-20 °C - 70 °C
Približno vrijeme rada (s EGO 56 V baterijom jačine 5,0 Ah)	15 min (pojačano)
	22 min (Visoka brzina)
	120 min (Niska brzina)
Težina puhalo (bez baterijskog modula, s cijevi)	5,7 kg
Izmjerena razina zvučne snage L _{WA}	94,6 dB(A) K=0,8 dB(A)
Razina zvučnog tlaka kod uha rukovatelja L _{PA}	82 dB(A) K=2,5 dB(A)
Zajamčena razina zvučne snage L _{WA} (u skladu s 2000/14/EZ)	95 dB(A)
Vibracija a _n	0,522 m/s ² K=1,5 m/s ²

- Deklarirane ukupne vrijednosti vibracija izmjerene su u skladu sa standardnom metodom ispitivanja i mogu se koristiti za usporedbu jednog alata s drugim.
- Deklarirane ukupne vrijednosti vibracija mogu se koristiti i u preliminarnoj procjeni izloženosti.

NAPOMENA: emisija vibracija tijekom aktualnog korištenja električnog alata može se razlikovati od deklarirane vrijednosti u kojoj se alat koristi; Radi zaštite rukovatelja korisnik treba nositi rukavice i štitnike za uši u aktualnim uvjetima korištenja.

POPIS ZA PAKIRANJE

NAZIV DIJELA	KOLIČINA
Puhalo	1
Cijev puhalo	3
Korisnički priručnik	1

OPIS

UPOZNAJTE SE S PUHALOM (sl. A & B)

1. Drška
2. Gumb za otpuštanje baterije
3. Zasun
4. Električni kontakti
5. Mehanizam za izbacivanje
6. Ulaz za zrak
7. Prednja cijev (Zakrivljena ravna cijev)
8. Izlaz zraka
9. Prednja cijev (Cilindrična cijev)
10. Srednja cijev
11. Upravljačka ručka
12. Podesivi uprtači za nošenje
13. Izbočina za skladištenje cijevi puhalo
14. Gumb za pojačanje
15. Regulator brzine s fiksiranjem
16. Okidač brzine zraka
17. Krilna matica
18. Utor za vješanje cijevi

⚠ UPOZORENJE: Kako biste uređaj mogli koristiti na siguran način, morate razumjeti podatke navedene na samom alatu i u ovom priručniku s uputama, a potrebno je imati i znanje u vezi zadatak kojeg treba izvršiti. Prije korištenja ovog proizvoda, upoznajte se sa svim radnim funkcijama i pravilima o sigurnosti.

MONTAŽA

⚠ UPOZORENJE: Ako je bilo koji dio oštećen ili nedostaje, nemojte koristiti proizvod dok se ne zamijene dijelovi. Upotreba proizvoda na kojemu nedostaju dijelovi ili su oni oštećeni, možete dovesti do ozbiljne tjelesne ozljede.

⚠ UPOZORENJE: Ne pokušavajte obavljati preinake na ovom proizvodu ili raditi pribor koji nije preporučan za uporabu s ovim puhalom. Sve takve izmjene ili preinake predstavljaju nepropisnu uporabu i mogu rezultirati opasnim stanjima koja mogu dovesti do mogućih teških tjelesnih ozljeda.

⚠ UPOZORENJE: Da biste spriječili slučajno pokretanje koje bi moglo prouzročiti ozbiljne tjelesne ozljede, prilikom priključivanja priključaka uvijek uklonite bateriju iz alata.

MONTIRANJE CIJEVI PUHALA

- Tri su cijevi predviđene za puhalo: dvije prednje cijevi (cilindrična cijev i zakrivljena ravna cijev) i srednja cijev (Sl. C).
- Prvo postavite prednju cijev na srednju cijev. Poravnajte neki od utora u cilindričnoj cijevi s izbočenjem na srednjoj cijevi (Sl. D)
- Gurajte srednju cijev prema naprijed dok izbočenje ne zahvati neki od utora. Zatim okrećite srednju cijev u smjeru strelice dok se izbočenje ne pomakne u zaključani položaj (Sl. E).

Opis dijelova na Sl. C i D pogledajte u nastavku:

C-1	Cilindrična cijev	D-1	Izbočina
C-2	Zakrivljena ravna cijev	D-2	Utori za različite položaje zaključavanja
C-3	Srednja cijev		

OBAVIJEST: Prije fiksiranja srednje cijevi na njezinom mjestu za vrijeme zaokretanja, primijetit ćete ugrađeni graničnik koji će pružati otpor. Nastavite okretati cijevi dalje od graničnika dok potpuno ne sjedne u fiksirani položaj.

- Cijev možete skratiti ili produljiti sukladno željama tako da srednju cijev fiksirate u odgovarajućem položaju za fiksiranje (Sl. F).

Opis dijelova na Sl. F pogledajte u nastavku:

F-1	Fiksirano u prvom položaju za fiksiranje
F-2	Fiksirano u drugom položaju za fiksiranje

- Na isti način postavite sklop cijev na kućište puhalo (Sl. G). Slijedite isti postupak za sastavljanje zakrivljene ravne cijevi s puhalom.
- Ako želite ukloniti sklop cijevi s kućišta puhalo ili razdvojiti dvije cijevi, prvo okrenite cijev u smjeru za otključavanje kako biste deaktivirali zasun, a zatim ravno izvucite cijev.

UPOTREBA

⚠ UPOZORENJE: Nemojte biti nepažljivi jer ste upoznati s načinom rada proizvoda. Zapamtite da je samo jedan djelić sekunde nepažnje dovoljan za nastanak ozbiljne ozljede.

⚠ UPOZORENJE: Nemojte koristiti nikakve priključke ili pribor koje nije preporučio proizvođača ovog proizvoda. Uporaba priključaka ili pribora koji nije preporučan može dovesti do ozbiljnih tjelesnih ozljeda.

⚠ UPOZORENJE: Pri sastavljanju dijelova, obavljanju podešavanja, čišćenju ili kada ne koristite proizvod, baterijski modul izvadite iz proizvoda. Uklanjanjem baterijskog modula uklanjate mogućnost nehotičnog pokretanja uslijed kojeg mogu nastati teške tjelesne ozljede.

Prije svake uporabe pregledajte cijeli proizvod u pogledu oštećenja, dijelova koji nedostaju ili otpuštenih dijelova kao što su vijci, matice, svornjaci, kapice i sl. Dobro pritegnite sve elemente za pričvršćenje i kapice i ne koristite proizvod dok se svi dijelovi koji nedostaju ili oštećeni dijelovi ne zamijene.

⚠ UPOZORENJE: U slučaju nužde, odmah odvojite kopču na prsima kako biste skinuli puhalo.

PRIMJENA

Ovaj proizvod možete koristiti za svrhe navedene u nastavku:

- Čišćenje tvrdih površina kao što su prilazi za vozila i nogostupi.
- Uklanjanje lišća i iglica borova s terasa i prilaza za vozila.

⚠ OBAVIJEST: alat se smije koristiti samo za prethodno opisanu namjenu. Svaka druga uporaba smatra se nepropisnom uporabom.

UGRADNJA/UKLANJANJE BATERIJSKOG MODULA

Napunite prije prve uporabe.

Upotrebjavajte samo s baterijskim modulima i punjačima koji su navedeni na sl. A.

OBAVIJEST: Za najbolji rad preporučuje se upotreba baterije EGO 56 V BA2800 (5,0 Ah) ili bilo koje druge EGO 56 V baterije s većim kapacitetom.

■ Ugradnja (sl. H)

Poravnajte rebra baterije s utorima za postavljanje i utiskujte baterijski modul prema dolje sve dok ne začujete "klik".

■ Skidanje (sl. I)

Utisnite gumb za oslobađanje baterije i izvucite baterijski modul.

⚠ UPOZORENJE: Prije pritiska gumba za oslobađanje baterije, uvjerite se jesu li vaša stopala, djeca i domaće životinje na sigurnoj udaljenosti. Ako baterijski modul ispadne, može doći do teških ozljeda. NEMOJTE vaditi baterijski modul kada ste u povišenom položaju.

POSTAVLJANJE PUHALA S NAPRTNJAČOM

⚠ UPOZORENJE: Obucite se propisno kako biste smanjili rizik od ozljeda tijekom rukovanja alatom. Ne nosite široku odjeću ili nakit. Nosite zaštitu za oči i uši/sluh. Nosite jake duge hlače, čizme i rukavice. Nemojte nositi kratke hlače ili sandale ili biti bosonogi.

Podešavanje nosivog pojasa

1. Provcite ruke kroz remene naprtnjače za držanje puhalo na leđima.
2. Privremeno prilagodite obje naramenice u udoban položaj (Sl. J), pazite da je lakat u udobnom položaju.
3. Zakopčajte kopču na prsima i po potrebi prilagodite njezinu duljinu (Sl. K).
4. Zakopčajte kopču na struku i prilagodite njenu duljinu kako bi naprtnjača bila oslonjena na kukove (Sl. L i M).

OBAVIJEST: Naprtnjača se ne smije postaviti previsoko na leđima, ona mora biti bliže kukovima nego ramenima.

5. Ponovno prilagodite naramenice radi sigurnosti i udobnosti. Pobrinite se da naprtnjača čvrsto leži na leđima – težinu mora nositi pojas na struku i ne smije se previše pomicati dok se krećete (Sl. N).
6. Umetnite višak remena oko struka u elastični dio na obje strane (Sl. O).

7. Ako alat želite skinuti s leđa, pritisnite kopče na struku i prsima kako biste ih oslobodili i spustite alat (Sl. P).

Podešavanje upravljačke drške

1. Otpustite krilnu maticu i po potrebi pomikajte dršku prema naprijed ili unatrag (Sl. Q i R), zatim stegnite krilnu maticu kako biste učvrstili dršku u željenom položaju.
2. Dršku možete i zaokretati radi udobnosti (Sl. S).
3. Pomaknite cijev ulijevo ili udesno kako biste povećali područje koje čistite (Sl. T).

POKRETANJE/ZAUSTAVLJANJE PUHALA (Sl. U)

Okidač samo za brzinu zraka

- Utisnite okidač za brzinu zraka ako želite uključiti puhalo.
- Brzinu zraka puhalo određuje regulator brzine. Što jače pritisnete regulator, veća će biti brzina puhanja, ako ga pritisnete slabije, manja će biti i brzina puhanja. Prilagodite brzinu zadatku.
- Otpustite okidač za brzinu zraka ako želite isključiti puhalo.

Samo regulator brzine s fiksiranjem

Puhalo možete uključiti i fiksirati na bilo kojoj brzini pomoću regulatora brzine s fiksiranjem.

- Okrećite regulator brzine s fiksiranjem udesno kako biste pokrenuli puhalo. Brzina zraka povećava se s okretanjem regulatora udesno.
- Ako želite smanjiti brzinu zraka, regulator brzine s fiksiranjem okrećite ulijevo.
- Ako želite zaustaviti rad puhalo, okrećite regulator brzine s fiksiranjem do isključenog položaja.

Obavijest: Ako regulator brzine s fiksiranjem ne vratite u isključeni položaj prije uključivanja puhalo, ono se neće pokrenuti putem regulatora brzine s fiksiranjem nakon ugradnje napunjene baterije. To je zaštitna funkcija koja onemogućuje nehотиčno pokretanje. Utiskivanjem okidača za brzinu zraka može se deaktivirati zaštita.

Pritisnite gumb za pojačanje dok radite kako biste privremeno povećali brzinu zraka na maksimalnu razinu. Puhalo će se vratiti na prethodnu brzinu nakon otpuštanja gumba za pojačanje.

Opis dijelova na Sl. U pogledajte u nastavku:

U-1	Regulator brzine s fiksiranjem	U-3	Okidač brzine zraka
U-2	Gumb za pojačanje		

SAVJETI ZA KORIŠTENJE PUHALA

- Kako ne bi došlo do rasipanja tvari, pušite oko vanjskih rubova hrpe ostataka. Nemojte puhati izravno u središte hrpe.
- Pazite na količinu buke – istovremeno koristite ograničen broj alata.
- Prije ispuhivanja koristite grablje i metle kako biste otpustili naslage i nečistoće. U prašnjavim uvjetima, lagano navlažite površinu ako vam je dostupna voda.
- Pazite na djecu, domaće životinje, otvorene prozore i svježe oprane automobile – ispušite nečistoće na siguran način.
- Nakon korištenja puhalu ili druge opreme, očistite ih! Zbrinite nečistoće na pravilan način.
- Ne preporučuje se dugotrajna upotreba puhalice na visokoj brzini jer jake vibracije i buka mogu biti štetni za zdravlje.

ODRŽAVANJE

⚠ UPOZORENJE: Pri servisiranju koristite samo identične zamjenske dijelove. Korištenje drugih dijelova može izazvati opasnost ili prouzročiti oštećenje proizvoda. Radi sigurnosti i pouzdanosti sve popravke treba obavljati kvalificirani servisni tehničar.

⚠ UPOZORENJE: Radi izbjegavanja teških tjelesnih ozljeda, pri čišćenju ili obavljanju podešavanja komplet baterija uvijek izvadite iz proizvoda.

OPĆE ODRŽAVANJE

Pri čišćenju plastičnih dijelova izbjegavajte koristiti otapala. Većina plastika podložne su oštećenju od različitih vrsta komercijalnih otapala i mogu se oštetiti u slučaju njihovog korištenja. Za uklanjanje nečistoće, prašine, ulja, masti i sl. koristite čiste krpe.

⚠ UPOZORENJE: Nemojte dopustiti da kočione tekućine, benzin, proizvodi na bazi nafte, penetrirajuća ulja i sl., dođu u doticaj s plastičnim dijelovima. Kemikalije mogu oštetiti, oslabiti ili uništiti plastiku što može rezultirati teškim tjelesnim ozljedama.

HR

ČUVANJE

- Uklonite baterijski modul iz puhalu.
- Očistite sav strani materijal s ulaza za zrak na puhalu.
- Poravnajte gumb za skladištenje cijevi puhalu s utorom za vješanje cijevi i objesite cijev puhalu na kućište baterijskog pretinca (Sl. V i W).

- Pohranite ga u zatvorenom prostoru koji nije dostupan djeci. Držite dalje od korozivnih sredstava kao što su vrtne kemikalije i soli za odleđivanje.

Opis dijelova na Sl. V pogledajte u nastavku:

V-1	Izbočina za skladištenje cijevi puhalu
V-2	Utor za vješanje cijevi

Zaštita okoliša



Električnu opremu, punjač baterije i baterije/punjive baterije ne odlažite u otpad iz kućanstva!

Prema Europskoj Direktivi 2012/19/EU o električnoj i elektroničkoj opremi koja više nije iskoristiva i prema Europskoj Direktivi 2006/66/EZ neispravne ili iskorištene komplete baterija/baterije potrebno je sakupljati zasebno i zbrinuti na ekološki prihvatljiv način.

Ako se električni uređaji odlažu na odlagališta otpada ili deponije, opasne tvari mogu iscurjeti u podzemne vode i dospjeti u lanac ishrane, oštećujući tako vaše zdravlje i blagostanje.

OTKLANJANJE POGREŠKI

PROBLEM	UZROK	RJEŠENJE
PUHALO NE RADI.	<ul style="list-style-type: none"> ■ Baterijski modul nije postavljen na puhalo. ■ Nema električnog kontakta između puhalo i baterije. ■ Baterijski modul je ispražnjen. ■ Baterijski modul i/ili puhalo su prevrući. ■ Regulator brzine s fiksiranjem nije vraćen u isključen položaj prije uključivanja puhalo. 	<ul style="list-style-type: none"> ■ Postavite baterijski modul na puhalo. ■ Izvadite bateriju, provjerite kontakte i ponovno stavite komplet baterija. ■ Napunite baterijski modul. ■ Hladite baterijski modul i puhalo dok se temperatura ne spusti ispod 67 °C. ■ Utisnite regulator brzine ako želite deaktivirati zaštitu i pokrenuti puhalo ili okrenite prvo regulator brzine s fiksiranjem u isključeni položaj.
Značajno se smanjila brzina strujanja zraka.	<ul style="list-style-type: none"> ■ Prekomjerno trošenje ventilatora motora. ■ Ulaz za zrak zapriječen je nečistoćama. 	<ul style="list-style-type: none"> ■ Za popravak se obratite servisnom centru tvrtke EGO. ■ Uklonite baterijski modul, očistite nečistoće.
Puhalo prestaje s radom na povišenoj brzini.	<ul style="list-style-type: none"> ■ Puhalo vuče veliku struju iz akumulatora i prelazi u samozaštitni način rada. 	<ul style="list-style-type: none"> ■ Isključite sklopku birača i ponovno pokrenite puhalo kada se LED akumulatora isključi. Uklonite akumulator i opet ga ukopčajte za ponovno pokretanje puhalo.

JAMSTVO

JAMSTVENA POLITIKA PROIZVOĐAČA EGO

Za cjelokupne uvjete jamstvene politike proizvođača EGO posjetite internetsku stranicu egopowerplus.com.

სრულად გაეცანით ინსტრუქციას!



გაეცანით მომხმარებლის ინსტრუქციას

შენიშვნა: ეს ინსტრუქციები ასევე ხელმისაწვდომია ალტერნატიულ ფორმატში, მაგალითად ვებგვერდზე.

▲ არსებული რისკი პიროვნებებმა ისეთი ელექტრული მოწყობილობებით, როგორცაა იმპლანტირებული დეფიბრილატორი, უნდა მიმართონ პირად ექიმს რჩევისთვის ამ პროდუქტის გამოყენებამდე. იმპლანტირებულ დეფიბრილატორთან უშუალო სიახლოვეს ელექტრული მოწყობილობის ოპერირებამ შესაძლოა დეფიბრილატორს ხელი შეუშალოს მუშაობაში ან გათიშოს იგი.

▲ გაფრთხილება: ხელსაწყოს უსაფრთხოდ და გამართულად მუშაობისთვის საჭიროა მისი ყველა შეკეთება და ნაწილის შეცვლა შესრულდეს კვალიფიციური სერვისის ტექნიკოსის მიერ.

უსაფრთხოების წესის სიმბოლოები

უსაფრთხოების წესის სიმბოლოების მიზანია მიაქციოთ ყურადღება შესაძლო საფრთხეებს. ყურადღებით გაეცანით და შეისწავლეთ უსაფრთხოების წესის სიმბოლოები და მათი შესაბამისი განმარტებები. უსაფრთხოების წესის სიმბოლოების მინიმუმები თავისთავად არ ანეიტრალებს რაიმე საფრთხის არსებობის რისკს. მათ მიერ მოწოდებული ინსტრუქციები და გაფრთხილებები არ არიან შემთხვევის თავიდან აცილების სწორი პროცედურის შემცვლელი.

▲ გაფრთხილება: ხელსაწყოს გამოყენებამდე დაწვრილებით გაეცანით და შეისწავლეთ ყველა უსაფრთხოების წესი მომხმარებლის ამ ინსტრუქციაში, მათ შორის ყველა უსაფრთხოების წესის სიმბოლო როგორცაა „საშიშროება“, „გაფრთხილება“ და „ყურადღება“. ქვემოთ ჩამოთვლილი ყველა ინსტრუქციის უგულვებელყოფამ შესაძლოა გამოიწვიოს ელექტრული შოკი, ხანძარი და/ან მოგაყენოთ სერიოზული პირადი ზიანი.

დაზიანების პრევენცია და საინფორმაციო შეტყობინებები

ესენი მიუთითებს მომხმარებელს მნიშვნელოვანი ინფორმაციისა და/ან ინსტრუქციებისკენ, რომელთა მიუდევრობამ შესაძლოა გამოიწვიოს ხელსაწყოს დაზიანება. ყოველ შეტყობინებას წინ უძღვის სიტყვა „შენიშვნა“, როგორც მითითებულია ქვედა ნიმუშში:

შენიშვნა: მითითებების შეუსრულებლობამ შესაძლოა გამოიწვიოს ხელსაწყოს და/ან ქონების დაზიანება.



▲ გაფრთხილება:

ელექტრული ხელსაწყოს გამოყენებისას შესაძლოა უცხო სხეულის თვალის მიდამოში მოხვედრა, რამაც შესაძლოა გამოიწვიოს თვალის მნიშვნელოვანი დაზიანება. ელექტრული ხელსაწყოს გამოყენებამდე აუცილებლად მოირგეთ უსაფრთხოების თვალსაფარი ან სათვალე მყარი თვალის დამცავებით და მთლიანი სახის ეკრანით. ჩვენ რეკომენდაციას ვუწევთ ფართო ხედვის არის მქონე უსაფრთხოების ნიღაბს სათვალეებთან ერთად ან სტანდარტულ გვერდითა ეკრანების მქონე უსაფრთხოების სათვალეებს.

KA

უსაფრთხოების წესის ინსტრუქცია

ეს გვერდი აჩვენებს და აღწერს იმ უსაფრთხოების წესის სიმბოლოებს, რომლებიც შესაძლოა აღბეჭდილია მოცემულ პროდუქტზე. წაკითხეთ, შეისწავლეთ და მიყევით ხელსაწყოს ყველა ინსტრუქციას მის აწყობამდე და ჩართვამდე.

	უსაფრთხოების წინაინი	გამართბილებელი ზომები, რომლებიც მოიცავენ თქვენს უსაფრთხოებას.
	გაიკეთეთ თვალების დამცავი	ყოველთვის მოირგეთ უსაფრთხოების თვალსაფარი ან გვერდითა ეკრანების მქონე უსაფრთხოების სათვალე და მთლიანი სახის ეკრანი ხელსაწყოთი სარგებლობისას.
	გაიკეთეთ ყურების დამცავი	ყოველთვის გაიკეთეთ ყურების დამცავი ხელსაწყოთი სარგებლობისას.
	გაეცანით მომხმარებლის ინსტრუქციას	დაზიანების რისკის შესამცირებლად მომხმარებელმა უნდა წაკითხოს ხელსაწყო მუშაობის ინსტრუქცია მის გამოყენებამდე.
	მოარიდეთ სხვა ადამიანები	მოაცილეთ გარეშე პირები ხელსაწყოს მინიმუმ 15 მეტრის დაშორებით.
V	ვოლტი	მაბევა
A	ამპერი	დენი
Hz	ჰერცი	სიხშირე (ბრუნთა რიცხვი წამში)
W	ვატი	სიმძლავრე

min	წუთი	დრო
m ³ /h	კუბური მეტრი საათში	ჰაერის მოცულობა
km/h	კილომეტრი საათში	ჭავლის სიჩქარე
~	ცვლადი დენი	დენის ტიპი
⚡	მუდმივი დენი	დენის ტიპი ან სახე
n ₀	დაუტვირთავი ბრუნვის სიჩქარე	დაუტვირთავი ბრუნვის სიჩქარე
... /min	წუთში	ბრუნთა რიცხვი წუთში

ელექტრული ხელსაწყოს გამოყენებისას ძირითადი უსაფრთხოების ზომები უნდა იყოს დაცული, შემდეგის ჩათვლით:

ელექტრული ხელსაწყო უსაფრთხოების ზოგადი მაჩვენებლები

⚠ გაფრთხილება: გაეცანით ამ ელექტრულ ხელსაწყოსთან დაკავშირებულ უსაფრთხოების ყველა მითითებას, ინსტრუქციას, ილუსტრაციას და სპეციფიკაციას. ქვემოთ ჩამოთვლილი ნებისმიერი ინსტრუქციის უგულვებელყოფამ შესაძლოა გამოიწვიოს ელექტროდენის დარტყმა, ხანძარი და/ან მოგაყენოთ სერიოზული ტრავმა.

შინახეთ ყველა მითითება და ინსტრუქცია სამომავლოდ გამოყენებისთვის.

ტერმინი „ელექტრული ხელსაწყო“ უსაფრთხოების ინსტრუქციაში შეესაბამება ქსელიდან (სადენით) ან აკუმულატორით (უსადენო) მიღებულ დენზე მომუშავე ელექტრულ ხელსაწყოს.

სამუშაო არეს უსაფრთხოება

■ დაიცავით სამუშაო არის სისუფთავე და იქონიეთ კარგი განათება. ჩახურგილი ან ბნელი სამუშაო არე იწვევს ინციდენტებს.

KA

■ არ ამუშაოთ ელექტრული ხელსაწყო ჰაერში ფეთქებადი საშუალებების არსებობისას, როგორცაა აალებადი სითხეები, ბენზინი ან მტვერი. ელექტრული ხელსაწყოები წარმოქმნიან ნაპერწკალს, რომელმაც შესაძლოა აანთოს მტვერი ან აირი.

■ ელექტრული ხელსაწყოთი სარგებლობისას მოარიდეთ მას ზავშვები და სხვა პირები. ყურადღების გაფანტვას შეუძლია გამოიწვიოს ხელსაწყოზე კონტროლის დაკარგვა.

ელექტრული უსაფრთხოება

■ ელექტრული ხელსაწყოთი დენის ჩანგალი უნდა ერგებოდეს შტეფსელს. არასოდეს გაუკეთოთ მოდიფიცირება ხელსაწყოთი დენის ჩანგალს. არ გამოიყენოთ ადაპტორები ისეთი ხელსაწყოების დენის ჩანგალზე, რომელსაც აქვს დამიწება. არსებული დენის ჩანგალი და მისი შესაბამისი შტეფსელი არსებობა ამცირებს ელექტრული შოკის რისკს.

■ მოერიდეთ სხეულით დამიწებულ საგნების ზედაპირებთან კონტაქტს, როგორცაა მილები, რადიატორები, ქურები და მაცივრები. ელექტრული შოკის მიღების რისკი იზრდება თუ თქვენი სხეული დამიწებულია.

■ არ დატოვოთ ელექტრული ხელსაწყოები წვიმაში ან სველ ადგილას. ელექტრული ხელსაწყოში შესული წყალი ზრდის ელექტრული შოკის მიღების რისკს.

■ არ დააზიანოთ დენის სადენი. არასოდეს გამოიყენოთ სადენი ხელსაწყოთი სატარებლად, მოსაქაჩად ან შტეფსელიდან ამოსართვლად. დაიცავით დენის სადენი სიმბურვალისან, ზეთისგან, მჭრელი და მოძრავი საგნებისგან. დაზიანებული ან გადახლართული დენის სადენი ზრდის ელექტრული შოკის რისკს.

■ ელექტრული ხელსაწყოთი გარეთ სარგებლობისას გამოიყენეთ დამაგრებელი, რომელიც გამოსადეგია გარეთ მუშაობისთვის.

გარეთ მუშაობისთვის შესაბამისი ელექტრული სადენის გამოყენება ამცირებს ელექტრული შოკის რისკს.

■ თუ ელექტრული ხელსაწყოთი ნესტიან გარემოში მუშაობა გარდაუვალია, გამოიყენეთ დამიწებაზე დამოკლებიან წრედის ამორთვის დაცვის მქონე (GFCI) კვების წყარო. GFCI წრედის ამორთვის დაცვის მქონე კვების გამოყენება ამცირებს ელექტრული შოკის რისკს.

პირადი უსაფრთხოება

■ ხელსაწყოთი გამოყენებისას იყავით ფხიზლად, იმოქმედეთ დაკვირვებით და სადი აზრის გათვალისწინებით. არ გამოიყენოთ ხელსაწყო როდესაც ხარტ დაღლილი, ან ალკოჰოლის, მედიკამენტების ან ნარკოტიკების ზემოქმედების ქვეშ. ხელსაწყოთი სარგებლობისას მყისიერმა უყურადღებობამ შეიძლება მოგაყენოთ სერიოზული პირადი ზიანი.

■ გამოიყენეთ პირადი დამცავი საშუალებები. ყოველთვის გაიკეთეთ თვალების დამცავი. შესაბამისი სამუშაო პირობებში დამცავი საშუალებების გამოყენება, როგორცაა მტვრის საწინააღმდეგო ნიღაბი, მოცურების საწინააღმდეგო სპეც ფეხსაცმელი, მყარი ჩაფხუტი ან სმენის დამცავი, ამცირებს სამუშაო ტრავმებს.

■ უცაბედი ჩართვის აღკვეთა. დარწმუნდით რომ ჩამრთველი არის გამორთულ პოზიციაში ხელსაწყოთი დენში და/ან აკუმულატორთან მიერთებამდე, ხელსაწყოთი მალა აწევამდე ან ტარებამდე. ელექტრული ხელსაწყოების ტარება ჩამრთველის ღილაკზე დადებული თითით ან ხელსაწყოთი დენში მიერთება, რომელსაც გააქტიურებული აქვს ჩართვის ღილაკი, იწვევს ინციდენტებს.

■ მოხსენით ნებისმიერი დამაგრებული მარეგულირებელი ხელსაწყო ან ქანჩის გასაღები ჩართვამდე. ელექტრული ხელსაწყოთი მზრუნავ ნაწილზე

დამაგრებულმა ქანჩის გასაღებმა ან სხვა მარეგულირებელმა შესაძლოა მოგაყენოთ პირადი ზიანი.

- არ გადაიხაროთ. ყოველთვის დაიცავით ბალანსი და მყარად იდგით ფეხზე. ეს გაძლევთ საშუალებას მოახდინოთ ხელსაწყო უკეთესი კონტროლი მოულოდნელ სიტუაციებში.
 - ჩაიცვით შესაბამისად. არ ჩაიცვათ განიერი, ფრიალა ტანსაცმელი და ძვირფასეულობა. მოაცილეთ თქვენი თმა, ტანსაცმელი და ხელთათმანები მოძრავ ნაწილებს. განიერი, ფრიალა ტანსაცმელი, ძვირფასეულობა და თმა შესაძლოა ჩაითრიოს მოძრავმა ნაწილებმა.
 - თუ არსებობს მტვრის ან ნარჩენების შემგროვებელი საშუალებების შეერთების ადგილები, დარწმუნდით რომ ისინი სწორადაა დაკავშირებული და გამოყენებული. მტვრისთვის განკუთვნილი საშუალებების გამოყენებამ შესაძლოა შეამციროს მასთან დაკავშირებული საფრთხეები.
 - შეეცადეთ, მსგავს ხელსაწყოებთან ხშირი მუშაობის გამოცდილებამ არ გამოიწვიოს თქვენი თავდაჯერებულობა და არ მოახდინოთ ხელსაწყო უსაფრთხოების პრინციპების იგნორირება. უგულისყურო საქციელმა წამის მეათედშიც კი შესაძლოა გამოიწვიოს სერიოზული ტრავმა.
- ელექტრული ხელსაწყოების გამოყენება და მოვლა**
- არ დაატანოთ ძალა ხელსაწყოს. გამოიყენეთ სწორი ხელსაწყო თქვენი მიზნებისთვის. სწორი ხელსაწყო უკეთ და უფრო უსაფრთხოდ გააკეთებს იმ საქმეს, რომლისთვისაც განკუთვნილია იგი.
 - არ გამოიყენოთ ხელსაწყო თუ ჩამრთველი არ რთავს ან თიშავს მას. ნებისმიერი ხელსაწყო, რომელიც ვერ კონტროლდება ჩამრთველით, სახიფათოა და საჭიროებს შეკეთებას.
 - გათიშეთ დენის ჩანგალი შტეფსელიდან და/ან მოხსენით აკუმულატორი ხელსაწყოს ნებისმიერი რეგულირებისას, ნაწილის ცვლილებისას ან ხელსაწყოს შენახვამდე.

მსგავსი პრევენციული უსაფრთხოების ზომები ამცირებს ელექტრული ხელსაწყოების უცაბედი ჩართვის რისკს.

- გათიშული ელექტრული ხელსაწყოები შეინახეთ ბავშვებისთვის მიუწვდომელ ადგილას და არ მისცეთ ხელსაწყოს გამოყენების უფლება მისით სარგებლობის არმცოდნე ან მის ინსტრუქციაში ჩაუხედავ პირებს. ელექტრული ხელსაწყოები გამოუცდელი პირების ხელში სახიფათოა.
- მოუარეთ ელექტრულ ხელსაწყოს. შეამოწმეთ მოძრავი და შემაკავშირებელი ნაწილების ურთიერთწინააღმდეგობა, ნაწილების დაზიანება და სხვა მდგომარეობა, რომელმაც შეიძლება გავლენა იქონიოს ხელსაწყო მუშაობაზე. დაზიანების შემთხვევაში შეაკეთეთ ხელსაწყო გამოყენებამდე. ბევრი ინციდენტი გამოწვეულია ცუდად მოვლილი ელექტრო ხელსაწყოების გამო.
- მჭრელი ხელსაწყოები იქონიით სუფთა და ბასრ მდგომარეობაში. სწორად მოვლილი ბასრი დანის პირის მქონე მჭრელი ხელსაწყოების გახლართვა ნაკლებად ალბათურია და მათი კონტროლიც გაადვილებულია.
- გამოიყენეთ ეს ხელსაწყო, მისი ნაწილები, მათი დამჭერები და ა.შ. ინსტრუქციის მიხედვით, სამუშაო გარემოს და სამუშაოს ტიპის გათვალისწინებით. ელექტრული ხელსაწყოს არადანიშნულებისამებრ გამოყენებამ შესაძლოა შექმნას სახიფათო სიტუაცია.
- იქონიით სახელურები და ხელის ჩასაჭიდი სხვა ზედამპირები მშრალ და სუფთა მდგომარეობაში, მათ შორის ცხიმისა და ზეთის გარეშე. სრიალა სახელურები და ხელის ჩასაჭიდი ზედამპირები არ იძლევა ხელსაწყოს უსაფრთხო მოპყრობისა და კონტროლის საშუალებას მოულოდნელ სიტუაციებში.

KA

აკუმულატორის გამოყენება და მოვლა

- დატენით მხოლოდ მწარმოებლის მიერ მითითებული დამტენი მოწყობილობით. დამტენმა მოწყობილობამ, რომელიც თავსებადია ერთი ტიპის აკუმულატორთან, შესაძლოა წარმოშვას ხანძრის გაჩენის რისკი სხვა აკუმულატორზე გამოყენებისას.
- გამოიყენეთ ელექტრული ხელსაწყოები მხოლოდ სპეციალურად აღნიშნული აკუმულატორებით. სხვა აკუმულატორების გამოყენებამ შესაძლოა წარმოშვას ფიზიკური დაზიანების ან ხანძრის რისკი.
- როდესაც აკუმულატორს არ იყენებთ, მოაცილეთ იგი ლითონის საგნებს, როგორცაა ქაღალდის კლიპი, მონეტა, გასაღები, ლურსმანი, ხრახნი ან სხვა მცირე ზომის ლითონის საგნები, რომელთაც შეუძლიათ აკუმულატორის კონტაქტების დამოკლება. აკუმულატორის კონტაქტების დამოკლებამ შესაძლოა გამოიწვიოს დამწვრობა ან ხანძარი.
- არასწორი მოპყრობის შემთხვევაში სითხემ შესაძლოა გამოჟონოს აკუმულატორიდან; მოერიდეთ მასთან შეხებას. თუ შემთხვევით შეეხეთ სითხეს, ჩამოიბანეთ წყლით. თუ სითხე მოხვდა თვალებში, მიმართეთ ექიმს. აკუმულატორიდან გამოჟონილმა სითხემ შესაძლოა გამოიწვიოს გაღიზიანება ან დამწვრობა.
- არ გამოიყენოთ აკუმულატორი ან ხელსაწყო, რომელიც დაზიანებული ან გადაკეთებულია. დაზიანებულმა ან გადაკეთებულმა აკუმულატორმა შესაძლოა გამოავლინოს არაპროგნოზირებადი მოქმედება, რამაც შეიძლება გამოიწვიოს ხანძარი, აფეთქება ან ტრავმის რისკი.
- არ მოათავსოთ აკუმულატორის ბლოკი ან ხელსაწყო ცეცხლში ან მაღალ ტემპერატურაზე. 130 °C-ზე მაღალი ტემპერატურის ზემოქმედებამ შესაძლოა აფეთქება გამოიწვიოს.

- იხელმძღვანელეთ დამუხტვის ინსტრუქციებით და არ დამუხტოთ აკუმულატორის ბლოკი ან ხელსაწყო ინსტრუქციაში მითითებული ტემპერატურის დიაპაზონის ფარგლებს გარეთ. აკუმულატორის არასწორი ან ინსტრუქციაში მითითებული ტემპერატურის დიაპაზონის ფარგლებს გარეთ დამუხტვა ზრდის ხანძრის რისკს.

მომსახურება

- ხელსაწყოთა დავაკავშირებული ტექნიკური მომსახურება შესარულებინეთ კვალიფიციურ პირს მხოლოდ იდენტური სათადარიგო ნაწილების გამოყენებით. ეს უზრუნველყოფს ხელსაწყოს უსაფრთხოოდ მუშაობის რეჟიმის შენარჩუნებას.
- არასოდეს შეაკეთოთ დაზიანებული აკუმულატორის ბლოკები. აკუმულატორების მომსახურება მხოლოდ მწარმოებლის ან მომსახურების ავტორიზებული მომწოდებლის მიერ არის შესაძლებელი.

სრულად გაეცანით ინსტრუქციას ამ პროდუქტის გამოყენებამდე!

ტრენინგი

- არასოდეს მისცეთ ხელსაწყოთი სარგებლობის უფლება ზავშევებს, შეზღუდული ფიზიკური, მგრძობელობის ან მენტალური შეძლებლობის მქონე პირებს ან ცოდნისა და გამოცდილების არმქონე, მოწყობილობის გამოყენების ინსტრუქციების არმცოდნე პირებს.
- ოპერატორი ან მომხმარებელი პასუხისმგებელია იმ შემთხვევებზე ან საფრთხეებზე რაც შესაძლოა დაემუქროს სხვა პირებს ან მათ ქონებას.

მომზადება

- ელექტრო ხელსაწყო გამოყენება შესაძლებელია წვიმის დროს ან სველ პირობებში. გააშრეთ ხელსაწყო სამუშაოს დასრულების შემდეგ.
- გამოყენებამდე შეამოწმეთ აკუმულატორი

KA

და მისი ბლოკი დაზიანებაზე. არ გამოიყენოთ ხელსაწყო თუ მისი აკუმულატორი ან ელემენტების ბლოკი დაზიანებულია.

ექსპლუატაცია

- ელექტრო ხელსაწყოს გამოყენება შესაძლებელია წვიმის დროს ან სველ პირობებში. გააშრეთ ხელსაწყო სამუშაოს დასრულების შემდეგ.
- ამოიღეთ ელემენტები ან აკუმულატორი:
 1. როდესაც უყურადღებოდ ტოვებთ ხელსაწყოს;
 2. გაჭედილი საგნებისგან გაწმენდამდე;
 3. ხელსაწყო შემოწმებამდე, გაწმენდამდე ან ჩართვამდე;
 4. თუ მოწყობილობა იწყებს უჩვეულო ვიბრაციას.
- ყოველთვის დაწმუნდით, რომ გაქვთ მყარი საყრდენი ხელსაწყო ფერდობზე გამოყენებისას.
- არასოდეს ირბინოთ, მხოლოდ იარეთ.
- ხელსაწყოზე ჰაერის გამაგრებლების შესასვლელები იქონიეთ ნარჩენებისგან თავისუფალ მდგომარეობაში.
- ხელსაწყოთი სარგებლობა რეკომენდებულია მხოლოდ დღის მართებულ საათებში – არა ადრე დილით ან გვიან ღამით, როცა შესაძლოა სხვა ადამიანები შეაწუხოთ.
- რეკომენდირებულია მტრიან არეში ზედაპირის ოდნავ დანოტივება ან დამორთქლავი მიმაგრების გამოყენება.

▲ გაფრთხილება: უფრთხილდით მბრუნავ ნაწილებს!

- გამოიყენეთ საბერველას ჭავჭავი ბუნჯის დამაგრებლებელი, რათა ჰაერის ჭავლი დატრიალდეს მიწასთან ახლოს.
- არ ამუშაოთ მოწყობილობა ღია ფანჯრების და ა.შ. მახლობლად.

ექსპლუატაცია და შენახვა

- მჭიდროდ დაუჭირეთ ყველა ქანჩი, ჭანჭიკი და ხრახნი, რათა დარწმუნდეთ რომ ხელსაწყო უსაფრთხო სამუშაო

მდგომარეობაშია.

- გამოცვალეთ გაცვეთილი ან დაზიანებული ნაწილები.
- გამოიყენეთ მხოლოდ ორიგინალი ნაწილები ან აქსესუარები.
- ხელსაწყო შეინახეთ მხოლოდ მშრალ ადგილას.

▲ გაფრთხილება: იმისათვის რომ შეამციროთ ხანძრის, ელექტროდენის დარტყმის ან ტრავმის რისკი:

მნიშვნელოვანი

გამოყენებამდე ყურადღებით წაიკითხეთ შეინახეთ სამომავლოდ გაცნობისთვის.

- არავის მისცეთ საშუალება საბერველა გამოიყენოს, როგორც სათამაშო. ზავშებთან ახლოს ან ზავშებების მიერ ხელსაწყო გამოყენებისას განსაკუთრებული ყურადღებაა საჭირო.
- თუ საბერველა არ მუშაობს ისე როგორც საჭიროა, ძირს დაგარდა, დაზიანდა ან წყალში ჩავარდა, დააბრუნეთ ის მომსახურების ცენტრში.
- არ ჩადოთ რაიმე საგანი ხელსაწყოს ღია სივრცეებში. არ გამოიყენოთ ხელსაწყო, თუ ღია სივრცეები დაბლოკილია; იქონიეთ საჭაეროები თავისუფალი მტვრისგან, ზუსუსებისგან, თმების ან სხვა საგნებისგან, რამაც შესაძლოა შეამციროს ჰაერის ჭავლი.
- გამოიჩინეთ განსაკუთრებული სიფრთხილე, როდესაც ასუფთავებთ კიბეზე.
- არ დატოვოთ საბერველა უყურადღებოდ, როცა აკუმულატორის დენის ჩანგალი შეერთებულია. მოხსენით აკუმულატორი, როცა საბერველა არ არის გამოყენებაში ან ტექნიკური მომსახურების დაწყებამდე.
- არ მოკიდოთ სველი ხელები დამტენ მოწყობილობას, მის დენის ჩანგალს ან დამტენის კონტაქტებს.
- არ დატენოთ აკუმულატორის ბლოკი გარეთ.

KA

⚠ გაფრთხილება:


- აკუმულატორი უნდა ამოვიღოთ ხელსაწყოდან მის უტილიზაციამდე.
- აკუმულატორის უტილიზაცია უნდა მოხდეს უსაფრთხოების წესის შესაბამისად.
- არ შეეცადოთ გაჭედილი ნარჩენების გასუფთავებას აკუმულატორის მოხსნამდე.
- იქონიეთ საბერველა და მისი სახელური მშრალ, სუფთა, ცხიმისა და ზეთისგან თავისუფალ მდგომარეობაში. ყოველთვის გამოიყენეთ სუფთა ტილო გაწმენდისას. არასოდეს გამოიყენოთ სამუხრუჭე სითხე, ბენზინი, ნავთობზე დამზადებული პროდუქტები ან სხვა ძლიერი გამხსნელები საბერველას გასაწმენდად. ამ წესის დაცვა შეამცირებს კონტროლის დაკარგვის რისკს და პლასტმასის ბუდის ცვეთას.
- აკუმულატორები შესაძლოა აფეთქდეს ანთების წყაროს არსებობისას, როგორცაა ამნთები ნათურა. სერიოზული ტრავმის მიღების რისკის შესამცირებლად, არასოდეს გამოიყენოთ უსადნო ხელსაწყო ანთებული ცეცხლის მახლობლად. აფეთქებულმა აკუმულატორმა შესაძლოა გამოტყორცნოს ნარჩენები და ქიმიური ნივთიერებები. სხეულზე მოხვედრისას დაუყოვნებლივ ჩამოიბანეთ წყლით.
- არასოდეს ამუშაოთ ხელსაწყო შესაბამისი ნაწილების გარეშე. ყოველთვის დარწმუნდით რომ საბერველას მილი დამონტაჟებულია.
- არასოდეს გამოიყენოთ საბერველა ცეცხლის ან ნაკვერჩხლების მახლობლად. ცეცხლის ან ნაკვერჩხლების მახლობლად საბერველას გამოყენებამ შესაძლოა გამოიწვიოს ცეცხლის გავრცელება და სერიოზული ტრავმა და/ან ქონების დაზიანება.
- არასოდეს გამოიყენოთ საბერველა ქიმიური ნივთიერებების, სასუქის და სხვა ტოქსიური ნივთიერებების

გაფრთხილებისთვის. მსგავსი ნივთიერებების გაფრთხილებამ შესაძლოა მოუტანოს სერიოზული ზიანი მომხმარებელს ან მახლობლად მყოფ პირებს.

- შეინახეთ ეს ინსტრუქცია. ხშირად იხელმძღვანელებთ ინსტრუქციით და გამოიყენებთ სხვა ადამიანების მითითებებისთვის, ვისაც სურს ამ ხელსაწყო გამოიყენება. თუ ათხოვებთ ხელსაწყო სხვა პირს, ასევე ათხოვებთ მას ეს ინსტრუქცია, რათა თავიდან აიცილოთ ხელსაწყო არასათანადო გამოყენება და შესაძლო ტრავმა.

შეინახეთ ეს ინსტრუქცია!

სპეციფიკაციები

მაბვა	56 ვოლტი 
მაქსიმალური ჰაერის მოცულობა	1020 მ ³ /სთ
მაქსიმალური ჰაერის სიჩქარე	232 კმ/სთ
საბერველას მაქსიმალური ძალა	19 f
რეკომენდირებული საექსპლუატაციო ტემპერატურა:	-15°C-40°C
რეკომენდირებული დასაწყობების ტემპერატურა:	-20°C-70°C
მიახლოებითი მუშაობის პერიოდი (EGO 5.0 Ah აკუმულატორით)	15 წთ (ზუსტი) 22 წთ (მაღალი სიჩქარე) 120 წთ (დაბალი სიჩქარე)
საბერველას წონა (აკუმულატორის გარეშე, მილით)	5.7 კგ
გაზომილი ხმის სიმძლავრის დონე L _{WA}	94.6 dB(A) K=0.8 dB(A)
ბგერის წნევის დონე მომხმარებლის ყურზე L _{PA}	82 dB(A) K=2.5 dB(A)

KA

გარანტირებული ხმის სიმძლავრის დონე L_{WA} (2000/14/EC რეგულაციის მიხედვით)	95 dB(A)
ვიბრაცია a_h	0.522 მ/წმ ² K=1.5 მ/წმ ²

- მითითებული ვიბრაციის სრული მნიშვნელობა გაზომილია სტანდარტული ტესტირების მეთოდით და შესაძლოა გამოყენებულ იქნას ერთი ხელსაწყოს მეორესთან შედარებისას.
- მითითებული ვიბრაციის სრული მნიშვნელობა ასევე შესაძლოა გამოყენებულ იქნას ზემოქმედების პირველადი შეფასებისას.

შენიშვნა: ელექტრული ხელსაწყოს ვიბრაციის ემისია გამოყენებისას შესაძლოა განსხვავდებოდეს მითითებული ოდენობისგან; მომხმარებელმა ხელსაწყოთი სარგებლობისას საჭიროა გამოიყენოს ხელათმანებელი და ყურის დამცავი საშუალებები.

მეფუთვის ჩამონათვალი

ნაწილის დასახელება	რაოდენობა
საბერველა	1
საბერველას მილი	3
მომხმარებლის ინსტრუქცია	1

აღწერა

შეისწავლეთ ოქვენი საბერველა (ნახ. A და B)

1. სახელური
2. აკუმულატორის მოხსნის ღილაკი
3. ჩამკეტი
4. ელექტრული კონტაქტები
5. ამოგდების მექანიზმი
6. ჰერის ჭავლის შესავალი
7. წინა მილი (მოღუნული ბრტყელი მილი)
8. ჰერის ჭავლის გამოსავალი
9. წინა მილი (ცილინდრული მილი)
10. შუა მილი

11. საკონტროლო სახელური
12. რეგულირებადი სამაგრი ღვედი
13. საბერველას მილის საცავის სახელური
14. ბუსტის ღილაკი
15. სიჩქარის/ჩამკეტი სელექტორი
16. ჭავლის სიჩქარის ტრიგერი
17. ფრთიანი ქანჩი
18. მილის დასაკიდი სიღრუე

⚠ გაფრთხილება: ამ ხელსაწყოს უსაფრთხო გამოყენება საჭიროებს მის შესახებ ინფორმაციას და მომხმარებლის ინსტრუქციის გაგნობას, ასევე იმ სამუშაოს ცოდნას, რომლის შესრულებასაც აპირებთ. ხელსაწყოს გამოყენებამდე კარგად გაეცანიეთ მის მუშა ფუნქციებს და უსაფრთხოების წესებს.

აწყობა

⚠ გაფრთხილება: თუ რომელიმე ნაწილი დაზიანებულია ან დაკარგულია, არ ისარგებლოთ ხელსაწყოთი სანამ ყველა ნაწილი არ შეიცვლება. ხელსაწყოთი სარგებლობას დაზიანებული ან დანაკლისი ნაწილებით შესაძლოა მოჰყვეს სერიოზული პირადი ზიანი.

⚠ გაფრთხილება: არ სცადოთ ხელსაწყოს გადაკეთება ან ისეთი ნაწილების გამოყენება, რომლებიც არაა რეკომენდირებული ამ საბერველასთვის. ნებისმიერი მსგავსი ცვლილება ან მოდიფიკაცია არის ხელსაწყოს არასათანადო გამოყენება და შესაძლოა წარმოქმნას სახიფათო მდგომარეობა, რომელმაც შესაძლოა გამოიწვიოს სერიოზული პირადი ზიანი.

⚠ გაფრთხილება: უცაბედი ჩართვის გამოსარიცხად, რომელმაც შესაძლოა გამოიწვიოს სერიოზული პერსონალური ზიანი, ყოველთვის მოხსენით აკუმულატორი ხელსაწყოს, როდესაც ხდება მისი აწყობა.

საბერველას მილების აწყობა

1. საბერველას გააჩნია სამი მილი: ორი წინა მილი (ცილინდრული და მოღუნული ბრტყელი მილი) და შუა

KA

მილი (ნახ. C).

2. თავდაპირველად მიუერთეთ ცილინდრული მილი შუა მილს. გაუსწორეთ ცილინდრულ მილზე არსებული ორი სიდრუიდან ერთ-ერთი შუა მილზე არსებულ კნოპს (ნახ. D).
3. ჩასვით შუა მილი სანამ კნოპი არ მოერგება რომლიმე სიდრუეს. შემდეგ დაატრიალეთ შუა მილი ისრის მიმართულებით სანამ კნოპი არ ჩაჯდება ჩამკეტ პოზიციამში (ნახ. E).
ნახ. C და D ნაჩვენები ნაწილების აღწერა მოცემულია ქვევით:

C-1	ცილინდრული მილი	D-1	კნოპი
C-2	მოდუნული ბრტყელი მილი	D-2	სიდრუეები სხვადასხვა ჩამკეტი პოზიციებისთვის
C-3	შუა მილი		

შენიშვნა: სანამ შუა მილი ჩაიკეტება საკუთარ პოზიციამში თქვენ შეამჩნევთ ჩამონტაჟებულ ბუფერს, რომელიც გაგიწევთ გარკვეულ წინააღმდეგობას. გააგრძელეთ მილის დატრიალება ბუფერის შემდეგ, სანამ ის არ ჩაჯდება ჩამკეტ პოზიციამში.

4. თქვენ შეგიძლია გაზარდოთ ან დაამოკლოთ მილის სიგრძე სურვილისამებრ შუა მილის სხვადასხვა ჩამკეტ პოზიციებში ჩასმით (ნახ. F).
ნახ. F ნაჩვენები ნაწილების აღწერა მოცემულია ქვევით:

F-1	პირველი ჩამკეტი პოზიცია
F-2	მეორე ჩამკეტი პოზიცია

5. აწყობილი მილების ერთობლიობა მიუერთეთ საბერველას ბუდეს მსგავსი მიდგომით (ნახ. G).

მისდით იგივე ნაბიჯებს მოდუნული ბრტყელი მილის საბერველასთან მისაერთებლად.

6. საბერველას ბუდიდან მილებს მოსახსნელად ან ორი მილის განსაცალკევებლად დაატრიალეთ მილი გახსნის მიმართულებით ჩამკეტის

გასახსნელად და შემდეგ გამოქაჩეთ მილი გარეთ.

ექსპლუატაცია

▲ გაფრთხილება: შეეცადეთ მსგავსი პროდუქტის გამოყენების გამოცდილებამ არ გამოიწვიოს თქვენი უგულისყურობა. დაიმახსოვრეთ რომ უგულისყურობამ წამის მეთედშიც კი შესაძლოა მოგიტანოთ სერიოზული ზიანი.

▲ გაფრთხილება: არ გამოიყენოთ სხვა ნებისმიერი ნაწილი, რომელიც არაა რეკომენდირებული ამ ხელსაწყოს მწარმოებლის მიერ. არარეკომენდირებული ნაწილის გამოყენებამ შესაძლოა მოგაყენოთ სერიოზული ზიანი.

▲ გაფრთხილება: ყოველთვის მოხსენით აკუმულატორი ხელსაწყოს, როდესაც ხდება მისი აწყობა, რეგულირება, წმენდა ან როდესაც არ ხდება ხელსაწყოს გამოყენება. აკუმულატორის მოხსნა გამორიცხავს ხელსაწყოს უცაბედად ჩართვას, რამაც შესაძლოა მოგაყენოთ სერიოზული პერსონალური ზიანი.

ყოველი გამოყენების წინ შეამოწმეთ მთლიანი ხელსაწყო შესაძლო დაზიანებულ, დაკარგულ ან მოშვებულ ნაწილებზე, როგორცაა ხრახნები, ქანჩები, ჭანჭიკები, ხუფები და ა.შ. მჭიდროდ დაუჭირეთ ყველა სამაგრი და ხუფი და არ ამოშაოთ ხელსაწყო, სანამ ყველა დაკარგული ან დაზიანებული ნაწილი არ შეიცვლება.

▲ გაფრთხილება: თუ მოხდა გაუთვალისწინებელი შემთხვევა, განაცალკევეთ მკერდის დვედი საბერველას მოსახსნელად.

გამოყენება

თქვენ შეგიძლიათ გამოიყენოთ ხელსაწყო ქვემოთ ჩამოთვლილი მიზნებისთვის:

- მყარი ზედაპირების გასუფთავება, როგორცაა შენობასთან მისასვლელი გზა ან ქვეითთა ბილიკი.
- შენობასთან მისასვლელი გზისა და ტერასის ფოთლებისგან და წიწვებისგან გასუფთავება.

შენიშვნა: ხელსაწყოს გამოყენება შესაძლებელია მხოლოდ დანიშნულებისამებრ. სხვა ნებისმიერი

სარგებლობა ჩაითვლება როგორც არამიზნობრივი გამოყენების შემთხვევა.

გამოიყენეთ მხოლოდ ის აკუმულატორის ბლოკები და დამტენები, რომლებიც მითითებულია სურ. A-ში აკუმულატორის დამონტაჟება/მოხსნა

დატენეთ პირველ ჯერზე სარგებლობამდე.

შენიშვნა: გაუმჯობესებული მუშაობისთვის ჩვენ რეკომენდაციას ვუწევთ EGO 56 ვოლტიან BA2800 აკუმულატორს (5.0 Ah) ან სხვა EGO 56 ვოლტიან აკუმულატორს გაზრდილი ტევადობით.

■ **დასამონტაჟებლად (ნახ. H)**

გაუსწორეთ აკუმულატორის სამაგრები ბუდის ნასვრეტებს და დააწეით აკუმულატორს, სანამ არ გაიგებთ „უკაპ“ ხმას.

■ **მოსახსნელად (ნახ. I)**

დააჭირეთ აკუმულატორის გამშვებ დილაკს და ამოიღეთ აკუმულატორი.

▲ გაფრთხილება: ყოველთვის შეამოწმეთ თქვენი ფეხების, ბავშვების ან შინაური ცხოველების მდებარეობა აკუმულატორის გამშვები დილაკის დაჭერისას. აკუმულატორის დაცემამ შესაძლოა გამოიწვიოს სერიოზული ფიზიკური ზიანი. არასდროს მოხსნათ აკუმულატორი სიმაღლეზე ყოფნისას.

საბერველა-ზურგანთის პოზიციონირება

▲ გაფრთხილება: ჩაიცვით შესაბამისად, რათა შეამციროთ დაზიანების რისკი ხელსაწყოთი სარგებლობისას. არ ჩაიცვათ განიერი, ფრიალა ტანსაცმელი და ძვირფასეულობა. მორგეთ თვალის და თვალის/სმენის დამცავი საშუალებები. ჩაიცვით სამუშაო გრძელი შარვალი, ჩექმა და ხელთათმანები. დაუშვებელია გეცვათ მოკლე შორტი, სანდლები ან იაროთ ფეხშიშველმა.

სამაგრი ღვედი რეგულირებისთვის

1. გაუყარეთ ხელები ზურგანთის სამკლაურებს, რათა მოირგოთ საბერველა თქვენს ზურგზე.
2. დროებით დაარეგულირეთ ორივე მკლავის ღვედი კომფორტულ

პოზიციაში (ნახ. J), დარწმუნდით რომ თქვენი მკლავი კომფორტულადაა.

3. ჩაკეტეთ მკერდის ღვედი და დაარეგულირეთ მისი სიგრძე საჭიროებისამებრ (ნახ. K).
4. ჩაკეტეთ წელის ღვედი და დაარეგულირეთ მისი სიგრძე ისე რომ ზურგანთა უსაფრთხოდ დამაგრდეს თქვენს ბარძაყებზე.

შენიშვნა: ზურგანთა არ უნდა იმყოფებოდეს ძალიან მაღლა თქვენს ზურგზე; იგი ბარძაგებთან უფრო ახლოს უნდა მდებარეობდეს, ვიდრე თქვენს მხრებთან.

5. ხელახლა დაარეგულირეთ მკლავის ღვედები სიმტკიცისა და კომფორტის მისაღწევად. დარწმუნდით რომ ზურგანთა მტკიცედ არის ზურგზე მორგებული, ძირითადი წონა ეყრდნობა წელის ღვედს და ის არ მოძრაობს გადაჭარბებულად თქვენთან ერთად (ნახ. N).
6. შესვით წელის ღვედის დამატებითი სიგრძე ორივე მხარეს არსებულ ელასტურ სამაგრში (ნახ. O).
7. ხელსაწყო ზურგიდან მოსახსნელად დააწეით წელის და მკერდის ღვედების ბალთებზე გასახსნელად და ჩამოშვით ხელსაწყო (ნახ. P).

საკონტროლო სახელურის რეგულირება

1. მოუშვით ფრთიანი ქანჩი სახელურის წინ და უკან საჭიროებისამებრ რეგულირებისათვის (ნახ. Q და R) და შემდეგ დაუჭირეთ ფრთიანი ქანჩი სახელურის პოზიციის დასაფიქსირებლად.
2. კომფორტულად სარგებლობისთვის ასევე შეგიძლიათ დაატრიალოთ სახელური საჭიროებისამებრ (ნახ. S).
3. გასასუფთავებელი არის გასაზრდელად ამოძრავით მილი მარცხნივ ან მარჯვნივ (ნახ. T).

საბერველას ჩასართავად/გამოსართავად (ნახ. U)

KA

მხოლოდ ჭავლის სიჩქარის ტრიგერის შემთხვევაში

- დააჭირეთ ჭავლის სიჩქარის ტრიგერს, რათა ჩართოთ საბერველა.
- საბერველას ჰაერის ჭავლის სიჩქარე კონტროლდება ცვლადი სიჩქარის ტრიგერით. მეტი დაწოლა ტრიგერზე წარმოქმნის მაღალი სიჩქარის ჭავლს; ნაკლები დაწოლა ტრიგერზე წარმოქმნის მცირე სიჩქარის ჭავლს. დაარეგულირეთ სიჩქარე შესასრულებელი სამუშაოს მიხედვით.
- ხელი აუშვით ჭავლის სიჩქარის ტრიგერს, რათა გამორთოთ საბერველა.

მხოლოდ სიჩქარის/ჩამკეტი სელექტორის შემთხვევაში

საბერველას ჩართვა და ნებისმიერ სიჩქარეზე რეგულირება შესაძლებელია სიჩქარის/ჩამკეტი სელექტორით.

- დაატრიალეთ სიჩქარის/ჩამკეტი სელექტორი საათის ისრის მიმართულებით საბერველას ჩასართველად. ჰაერის ჭავლის სიჩქარე გაიზარდება სელექტორის საათის ისრის დატრიალებით.
- ჭავლის სიჩქარის შესამცირებლად დაატრიალეთ სიჩქარის/ჩამკეტი სელექტორი საათის ისრის საწინააღმდეგო მიმართულებით.
- გააგრძელეთ სიჩქარის/ჩამკეტი სელექტორი საათის ისრის საწინააღმდეგო მიმართულებით ტრიალი საბერველას გამოსართველად.

შენიშვნა: თუ სიჩქარის/ჩამკეტი სელექტორი არ არის დატრიალებული გათიშვის პოზიციამდე საბერველას ჩართვამდე, იგი არ დაიწყებს მუშაობას სიჩქარის/ჩამკეტი სელექტორის მოძრაობით როცა დამუხტული აკუმულატორი მიუერთდება ხელსაწყოს. ეს არის დამცავი მექანიზმი, რომელიც გვეხმარება თავიდან ავიცილოთ ხელსაწყოს უცაბედი ჩართვა. ჭავლის სიჩქარის ტრიგერის დაჭერას შეუძლია ამ დაცვის გამოთიშვა.

დააჭირეთ ბუსტის ღილაკს მუშაობის პროცესში, რათა დროებით გაზარდოთ

ჭავლის სიჩქარე მაქსიმუმამდე. საბერველა გააგრძელებს წინა სიჩქარით მუშაობას ბუსტის ღილაკზე ხელის გაშვების შემდეგ.

ნახ. U ნაჩვენები ნაწილების აღწერა მოცემულია ქვევით:

U-1	სიჩქარის/ჩამკეტი სელექტორი	U-3	ჭავლის სიჩქარის ტრიგერი
U-2	ბუსტის ღილაკი		

რჩევები საბერველას გამოყენებასთან დაკავშირებით

- დაუბერეთ ნარჩენი სხეულების გროვის გარეთა კიდეების გასწვრივ, რათა თავიდან აიცილოთ მათი გაფანტვა. არასოდეს დაუბეროთ ნარჩენი საგნების გროვის ცენტრისკენ.
- ხმაურის შესამცირებლად შეზღუდეთ ერთდროულად გამოყენებული ხელსაწყოების რაოდენობა.
- გამოიყენეთ ფოცხი ან ცოცხი საგნების გასაფანტად საბერველას ჩართვამდე. მტრიან არეში ოდნავ დაასველეთ ზედაპირი თუ წყალი ხელმისაწვდომია.
- გაუფრთხილდით წყალს და გამოიყენეთ ელექტრული საბერველა ისეთ არეზე მუშაობისთვის, როგორცაა ღარები, ბადეები, ტერასა, გრილი, აივანი და ბაღი.
- მოერიდეთ ბავშვებს, შინაურ ცხოველებსმ ღია ფანჯრებს ან ახლად გარეცხილ მანქანებს და სხვა მიმართულებით დაუბერეთ ნარჩენი საგნებს.
- საბერველას ან სხვა ხელსაწყოების გამოყენების შემდეგ, გაასუფთავეთ არე! მოახდინეთ ნარჩენი სხეულები ჯეროვანი უტილიზირება.

ეესპლუატაცია

▲ გაფრთხილება: ტექნიკური სერვისისას გამოიყენეთ მხოლოდ იდენტური სათადარიგო ნაწილები. სხვა ნებისმიერი ნაწილის გამოყენებამ შესაძლოა შექმნას საფრთხე ან გამოიწვიოს ხელსაწყო დაზიანება. ხელსაწყო უსაფრთხოდ და გამართულად მუშაობისთვის საჭიროა მისი ყველა შეკეთება და ნაწილის შეცვლა შესრულდეს კვალიფიციური სერვისის ტექნიკოსის მიერ.

▲ გაფრთხილება: სერიოზული პერსონალური ზიანისგან თავის არიდების მიზნით ყოველთვის მოხსენით აკუმულატორი ხელსაწყო როდესაც წმინდავთ მას ან უტარებთ რაიმე ტიპის სერვისს.

ზოგადი მოვლის წესი

მოერიდეთ გამხსნელების გამოყენებას ხელსაწყო პლასტმასის ნაწილების გაწმენდისას. უმეტესობა პლასტმასები ადვილად ზიანდება მათზე გამხსნელების გამოყენების შედეგად. გამოიყენეთ სუფთა ტილო ტალახის, მტერის, ზეთის, ცხიმის და სხვ. მოსაცილებლად.

▲ გაფრთხილება: არცერთ შემთხვევაში არ მისცეთ სატორმუხო სითხეს, ბენზინს, ნავთობის ბაზაზე დამზადებულ პროდუქტებს ან სხვა ძლიერი გამხსნელებს მოვიდნენ პლასტმასის ნაწილებთან კონტაქტში. ქიმიურმა ნაერთებმა შესაძლოა დააზიანოს, გაცვითოს და დაშალოს პლასტმასი, რამაც შეიძლება მოგაყენოთ სერიოზული პირადი ზიანი.

შენახვა

- მოხსენით აკუმულატორი საბერველას.
- გაწმინდეთ საბერველას ჰაერის ჭავლის შესავალები ნებისმიერი უცხო ნარჩენებისგან.
- გაუსწორეთ საბერველას მილის საცავის სახელური მილის დასაკიდ სიღრუეს და ჩამოავით საბერველას მილი აკუმულატორის ბუდეს (ნახ. V და W).

- შეინახეთ ის ჩაკეტილ ადგილას, რომელიც ბავშვებისთვის მიუწვდომელია. მოაცილეთ კოროზიის გამომწვევი ნივთიერებები, როგორცაა სოფლის მეურნეობაში გამოყენებული ქიმიკატები და მოყინვის საწინააღმდეგო ტექნიკური მარილი.

ნახ. V ნაჩვენებ ნაწილების აღწერა მოცემულია ქვევით:

V-1	საბერველას მილის საცავის სახელური
V-2	მილის დასაკიდი სიღრუე

გარემოს დაცვა



არ მოახდინოთ ელექტრული მოწყობილობის, აკუმულატორის დამტენის და მისი ბატარეების მოთავსება საყოფაცხოვრებო ნაგავში!

ევროკავშირის 2012/19EU რეგულაციის მიხედვით, ელექტრული და ელექტრონული ხელსაწყოები, რომლებიც აღარ გამოიყენება, ასევე 2006/66/EC რეგულაციის მიხედვით, დეფექტური ან გამოყენებული აკუმულატორები/ბატარეები, უნდა შეგროვდეს ცალკეულად და მოხდეს მათი უტილიზირება გარემოს დაცვის პრინციპების გათვალისწინებით.

ელექტრული მოწყობილობების ნაგავსაყრელზე მოთავსებისას, სახიფათო ნარჩენები შესაძლოა გაიჟონოს გრუნტის წყლებში და მოხდეს საკვებ ჯაჭვში, რამაც შესაძლოა დააზიანოს თქვენი ჯანმრთელობა და კეთილდღეობა.

KA



გაუმართაობის დიაგნოსტიკა

პრობლემა	მიზეზი	გადაჭრის გზა
საბერველა არ მუშაობს.	<ul style="list-style-type: none"> ■ აკუმულატორი არ არის შეერთებული საბერველაზე. ■ საბერველასა და აკუმულატორს შორის არ არის ელექტრული კონტაქტი. ■ აკუმულატორი დაცლილია. ■ აკუმულატორი ან საბერველა ზედმეტად გაცხელებულია. ■ სიჩქარის/ჩამკეტი სელექტორი არ დაატრიალეთ გათიშვის პოზიციაში საბერველას ხელახალ ჩართვამდე. 	<ul style="list-style-type: none"> ■ მიუერთეთ აკუმულატორი საბერველას. ■ მოხსენით აკუმულატორი, შეამოწმეთ კონტაქტები და კვლავ მოათავსეთ იგი უკან. ■ დატენეთ აკუმულატორი. ■ აცალეთ საბერველას ან აკუმულატორს გაგრილება 67°C-ის ქვევით. ■ დააჭირეთ ჰაერის ჭავლის სიჩქარის ტრიგერს დაცვის გამოსათიშად და ჩართეთ საბერველა სიჩქარის/ჩამკეტი სელექტორის გათიშვის პოზიციაში გადაყვანის შემდეგ.
ჰაერის ჭავლის სიჩქარე საგრძნობლად იკლებს.	<ul style="list-style-type: none"> ■ მოტორის ვენტლატორის მნიშვნელოვანი ცვეთა. ■ ჰაერის ჭავლის შესავალი დახშულია უცხო ნარჩენებით. 	<ul style="list-style-type: none"> ■ მიმართეთ EGO-ს მომსახურების ცენტრს შეკეთებისთვის. ■ მოხსენით აკუმულატორი ხელსაწყოს, გაწმინდეთ ნარჩენი სხეულები.
საბერველა წყვიტავს მუშაობას ბუსტ რეჟიმში.	<ul style="list-style-type: none"> ■ საბერველა იღებდა მაღალი დენის მნიშვნელობა აკუმულატორიდან და გადავიდა თავის დამცავ რეჟიმში. 	<ul style="list-style-type: none"> ■ დაატრიალეთ ხელსაწყო სელექტორი და შემდეგ ხელახლა ჩართეთ საბერველა იმის შემდეგ რაც მაჩვენებელი შუქდიოდი ჩაქრება/მოხსენით აკუმულატორი და ხელახლა ჩასვით იგი საბერველას გადასატვირთად..

გარანტია

EGO-ს გარანტიის მომსახურების წესი

გთხოვთ ეწვიოთ ვებ-გვერდს egopowerplus.com, რათა მიიღოთ EGO-ს საგარანტიო მომსახურების სრული დადგენილებები და პირობები.

KA

268

PROČITAJTE SVA UPUTSTVA!



PROČITAJTE PRIRUČNIK ZA RUKOVAOCA

NAPOMENA: Ovo uputstvo će biti dostupno i u alternativnom formatu, npr. na veb-lokaciji.

⚠ Rezidualni rizik! Osobe sa elektronskim uređajima, poput pejsmejкера, treba da konsultuju svog lekara (svoje lekare) pre upotrebe ovog proizvoda. Rukovanje električnom opremom u neposrednoj blizini srčanog pejsmejкера moglo bi da izazove smetnje ili otkazivanje pejsmejкера.

⚠ UPOZORENJE: Da bi se osigurala sigurnost i pouzdanost, sve popravke i zamene treba da radi kvalifikovani servisni tehničar.

SIGURNOSNI SIMBOLI

Svrha sigurnosnih simbola je da vam skrenu pažnju na moguće opasnosti. Sigurnosni simboli i objašnjenja uz njih zaslužuju vašu pognu pažnju i shvatanje. Simboli upozorenja, sami po sebi, ne eliminišu nikakve opasnosti. Uputstva i upozorenja koja oni daju nisu zamena za odgovarajuće mere sprečavanja nezgoda.

⚠ UPOZORENJE: Obavezno pročitajte i shvatite sva sigurnosna uputstva u ovom Priručniku za rukovaoca, obuhvatajući i sve simbole sigurnosnih upozorenja poput „OPASNOST“, „UPOZORENJE“ i „OPREZ“ pre korišćenja ovog alata. Nepridržavanje svih dole navedenih uputstava može da dovede do strujnog udara, požara i/ili ozbiljne telesne povrede.

INFORMATIVNA OBAVEŠTENJA O SPREČAVANJU ŠTETE

Ona obaveštavaju korisnika o važnim informacijama i/ili uputstvima čije nepoštovanje može da dovede do oštećenja opreme ili druge imovine. Svakom obaveštenju prethodi reč „NAPOMENA“, kao u primeru ispod:

NAPOMENA: Može doći do oštećenja opreme i/ili imovine ako se ova uputstva ne slede.





⚠ UPOZORENJE: Rukovanje svakim električnim alatom može da dovede do izbacivanja stranih tela ka očima, što može da dovede do ozbiljnog oštećenja očiju. Pre započinjanja rada sa električnim alatom, uvek stavite sigurnosne naočare sa bočnim štitnicima ili po potrebi masku za celo lice. Preporučujemo sigurnosnu masku Wide Vision za upotrebu preko naočara ili standardnih sigurnosnih naočara sa bočnim štitnicima.

SIGURNOSNA UPUTSTVA

Ova stranica prikazuje i opisuje sigurnosne simbole koji mogu da se pojave na ovom proizvodu. Pročitajte, shvatite i sledite sva uputstva na mašini pre no što pokušate da je sklopite i da rukujete njom.

	Sigurnosno upozorenje	Mere opreza koje se tiču vaše sigurnosti.
	Nosite zaštitu za oči	Uvek nosite sigurnosne naočare sa bočnim štitnicima ili po potrebi masku za celo lice kad rukujete ovim proizvodom.
	Nosite zaštitu za uši	Uvek nosite zaštitu za uši kad rukujete ovim proizvodom.
	Pročitajte Priručnik za rukovaoca	Da bi smanjio rizik od povreda, korisnik pre korišćenja ovog proizvoda mora pročitati priručnik za rukovaoca.
	Držite prolaznike podalje	Držite sve prolaznike na udaljenosti od najmanje 15 m.
V	Volt	Voltaža
A	Amperi	Struja
Hz	Herc	Frekvencija (ciklusi u sekundi)
W	Vat	Snaga
min	Minuti	Vreme
m ³ /h	Kubni metri na sat	Zapremina vazduha
km/h	Kilometri na sati	Brzina vazduha

SR

	Naizmjenična struja	Tip struje
	Jednosmerna struja	Tip ili karakteristika struje
n_0	Brzina bez opterećenja	Rotaciona brzina, bez opterećenja
... /min	U minutu	Obrtaji u minutu

Kad koristite neki električni aparat, uvek treba da poštujete osnovne mere opreza, obuhvatajući sledeće:

OPŠTA SIGURNOSNA UPOZORENJA ZA ELEKTRIČNI ALAT

⚠ UPOZORENJE: PROČITAJTE SVA SIGURNOSNA UPOZORENJA, UPUTSTVA, ILUSTRACIJE I SPECIFIKACIJE PRILOŽENE UZ OVAJ ELEKTRIČNI ALAT. Nepridržavanje svih dole navedenih uputstava može da dovede do strujnog udara, požara i/ili ozbiljne povrede

SAČUVAJTE SVA UPOZORENJA I UPUTSTVA ZA BUDUĆU UPOTREBU.

Pojam „električni alat“ u upozorenjima označava električni alat (sa žicom) koji se uključuje u utičnicu ili električni alat (bežični) na baterije.

BEZBEDNOST NA RADNOM PODRUČJU

- Održavajte radno područje čistim i dobro osvetljenim. Na pretrpanim ili mračnim područjima su veće šanse da dođe do nezgoda.
- Ne koristite električne alate u eksplozivnim atmosferama, kao na primer u prisustvu zapaljivih tečnosti, benzina ili prašine. Električni alat stvara varnice koje mogu zapaliti prašinu ili isparenja.
- Držite decu i prolaznike podalje dok koristite električni alat. Ako vam neko odvratiti pažnju, možete izgubiti kontrolu.

ELEKTRIČNA BEZBEDNOST

- Utikač električnog alata mora odgovarati utičnici. Nikada ne modifikujete utikač ni na koji način. Ne koristite adapterske utikače sa uzemljenim električnim alatom. Nemodifikovani utikači i odgovarajuće utičnice će smanjiti rizik od strujnog udara
- Izbegavajte kontakt delova tela sa uzemljenim površinama, poput cevi, radijatora, šporeta i frizidera. Postoji povećan rizik od strujnog udara ako je vaše telo uzemljeno.

- Ne izlažite električne alate kiši ili mokrim uslovima. Voda koja uđe u električni alat povećava rizik od strujnog udara.
- Nemojte zloupotrebljavati kabl. Nikada ne koristite kabl za nošenje, vučenje ili isključivanje iz utičnice električnog alata. Čuvajte kabl podalje od toplote, ulja, oštih ivica ili pokretnih delova. Oštećen ili upetljan kabl povećava rizik od strujnog udara.
- Kada koristite električni alat na otvorenom prostoru, koristite produžni kabl pogodan za korišćenje na otvorenom prostoru. Upotreba kabla pogodnog za korišćenje na otvorenom prostoru smanjuje rizik od strujnog udara.
- Ako je korišćenje električnog alata na vlažnom mestu neizbežno, koristite izvor napajanja sa zaštitnim uređajem diferencijalne struje. Korišćenje GFCI smanjuje rizik od strujnog udara.

LIČNA BEZBEDNOST

- Ostanite u pripravnosti, pazite šta radite i koristite zdrav razum kada koristite električni alat. Ne koristite električni alat kada ste umorni ili pod uticajem droga, alkohola ili lekova. Trenutak nepažnje kada koristite električni alat je dovoljan da izazove ozbiljne telesne povrede.
- Koristite ličnu zaštitnu opremu. Uvek nosite zaštitu za oči. Zaštitna oprema poput maske za prašinu, radnih cipela koje se ne klizaju, šlema ili zaštitne sluha će, kada se koristi za odgovarajuće uslove, smanjiti telesne povrede.
- Sprečite slučajno pokretanje. Osigurajte da prekidač bude u isključenom položaju pre povezivanja na izvor napajanja i/ili bateriju, podizanja ili nošenja alata. Nošenje električnih alata sa prstom na prekidaču ili uključivanje u utičnicu električnih alata čiji prekidač je u uključenom položaju priziva nezgode.
- Uklonite sve ključeve za podešavanje pre uključivanja električnog alata. Ključ koji ostane pričvršćen za rotacioni deo električnog alata može da izazove telesnu povredu.
- Ne presežite. U svakom trenutku održavajte pravilan položaj nogu i ravnotežu. To omogućava bolju kontrolu električnog alata u neočekivanim situacijama.
- Prikladno se obucite. Ne nosite labavu odeću ili nakit. Držite kosu, odeću i rukavice dalje od pokretnih delova. Labava odeća, nakit ili duga kosa mogu da se zakače pokretnim delovima.
- Ako su priloženi uređaji za povezivanje delova za izbacivanje i prikupljanje prašine, osigurajte da oni budu povezani i da se pravilno koriste. Upotreba uređaja za prašinu može da smanji opasnosti koje izaziva prašina.

- Ne dozvolite da zbog poznavanja koje ste stekli kroz čestu upotrebu alata postanete samozadovoljni i ignorirate principe bezbednosti alata. Nemaran postupak može da izazove ozbiljnu povredu u deliću sekunde.

UPOTREBA I ODRŽAVANJE ELEKTRIČNOG ALATA

- Ne silite električni alat. Koristite odgovarajući električni alat za ono što radite. Odgovarajući električni alat uradiće posao bolje i bezbednije onom brzinom za koju je dizajniran.
- Ne koristite električni alat ako ga prekidač ne uključuje i isključuje. Svaki električni alat koji se ne može kontrolisati prekidačem je opasan i mora se popraviti.
- Odvojite utikač iz izvora napajanja i/ili bateriju iz električnog alata pre bilo kakvog podešavanja, menjanja dodataka ili skladištenja električnog alata. Takve preventivne sigurnosne mere smanjuju rizik od nehotičnog pokretanja električnog alata.
- Skladištite isključene električne alate van domašaja dece i ne dozvolite osobama koje nisu upoznate sa ovim električnim alatom ili ovim uputstvom da rukuju električnim alatom. Električni alat je opasan u rukama nekvalifikovanih korisnika.
- Održavajte električni alat. Proverite pravilno poravnanje ili spojeve pokretnih delova, lomljenje delova i sva druga stanja koja mogu da utiču na rad električnog alata. Ako je oštećen, odnesite električni alat na popravku pre upotrebe. Mnoge nezgode su izazvane loše održanim električnim alatom.
- Održavajte alate koji seku oštrim i čistim. Pravilno održavani alati za sečenje sa oštrim ivicama za sečenje se ređe zapetljavaju i lakše se kontrolišu.
- Koristite električni alat, dodatke, delove itd. u skladu sa ovim uputstvom, uzimajući u obzir radne uslove i rad koji treba obaviti. Korišćenje električnog alata za rad drugačiji od predviđenog moglo bi da dovede do opasne situacije.
- Održavajte drške i površine koje hvatate suvim, čistim i bez ulja i masnoće. Klizave drške i površine koje hvatate ne omogućavaju bezbedno rukovanje i kontrolu alata u neočekivanim situacijama.

UPOTREBA I ODRŽAVANJE ALATA NA BATERIJE

- Punite samo punjačem koji navodi proizvođač. Punjač koji je prikladan za jedan tip baterije može da stvori opasnost od požara kad se koristi sa drugom baterijom.
- Koristite električni alat samo sa konkretno imenovanim baterijama. Upotreba bilo kakvih drugih baterija može da stvori rizik od povrede i požara.
- Kad se baterija ne koristi, držite je dalje od drugih metalnih predmeta, poput spajalica, novčića,

ključeva, eksera, vijaka ili drugih malih metalnih predmeta koji mogu da naprave spoj jednog terminala sa drugim. Kratak spoj terminala baterije može da izazove opekotine ili požar.

- U ekstremnim uslovima može doći do curenja tečnosti iz baterije; izbegavajte kontakt sa njom. Ako dođe do nehotičnog kontakta, isperite vodom. Ako tečnost dođe u kontakt sa očima, takođe potražite i medicinsku pomoć. Tečnost iz baterije može da izazove iritaciju ili opekotine.
- Ne koristite bateriju ili alat koji su oštećeni ili modifikovani. Oštećene ili modifikovane baterije mogu da ispolje nepredvidivo ponašanje, dovodeći do požara, eksplozije ili rizika od povrede.
- Ne izlažite bateriju ili alat vatri ili previsokoj temperaturi. Izlaganje vatri ili temperaturi iznad 130 °C može izazvati eksploziju.
- Pratite sva uputstva za punjenje i ne puniti bateriju ili alat izvan temperaturnog opsega navedenog u uputstvima. Punjenje na nepravilan način ili na temperaturama izvan navedenog opsega može da ošteti bateriju i poveća rizik od požara.

SERVIS

- Odnosite električni alat na servisiranje kod kvalifikovanog serviseru koji će koristiti samo identične rezervne delove. To će osigurati da bezbednost električnog alata bude održana.
- Nikad ne servisirajte oštećene baterije. Servisiranje baterija treba da radi samo proizvođač ili ovlašćeni servis.

PROČITAJTE SVA UPUTSTVA PRE KORIŠĆENJA OVOG PROIZVODA!

OBUKA

- Nikad ne dozvolite deci, osobama sa smanjenim fizičkim, senzornim ili mentalnim sposobnostima ili nedostatkom iskustva i znanja ili osobama koje nisu upoznate sa ovim uputstvom da koriste mašinu.
- Rukovalac ili korisnik je odgovoran za nezgode ili opasnosti po druge ljude ili njihovu imovinu.

PRIPREMA

- Ovaj električni alat se može koristiti na kiši ili u mokrim uslovima. Osušite električni alat po završetku posla.
- Pre upotrebe, proverite da li su baterije oštećene. Ne koristite aparat ako su baterije oštećene.

RUKOVANJE

- Ovaj električni alat se može koristiti na kiši ili u mokrim uslovima. Osušite električni alat po završetku posla.
- Odvojite baterije:
 1. Svaki put kad napuštate mašinu;
 2. Pre čišćenja začepljenja;
 3. Pre proveravanja, čišćenja ili rada na aparatu;
 4. Ako aparat počne abnormalno da vibrira.
- Uvek vodite računa o položaju nogu na nagibima.
- Hodajte; nikad nemojte trčati.
- Držite sve ulaze vazduha za hlađenje čistim od prljavštine.
- Preporučuje se da rukujete mašinom samo u razumno vreme – ne rano ujutro ili kasno uveče kad možete smetati ljudima.
- Preporučuje se da blago ovlažite površinu u prašnjavim uslovima ili da koristite dodatak za prskanje.

⚠ UPOZORENJE: Opasnost od rotirajućih delova!

- Koristite ceo produžetak mlaznice duvača tako da struja vazduha može da radi blizu tla.
- Ne rukujte mašinom blizu otvorenih prozora i sl.

ODRŽAVANJE I SKLADIŠTENJE

- Držite sve navrtnje, zavrtnje i vijke zategnutim da biste bili sigurni da je aparat u bezbednom radnom stanju.
- Zamenite pohabane ili oštećene delove.
- Koristite samo originalne rezervne delove i dodatke.
- Skladištite aparat isključivo na suvom mestu.

⚠ UPOZORENJE: Da biste smanjili rizik od požara, strujnog udara ili povrede:

VAŽNO

PAŽLJIVO PROČITATI PRE UPOTREBE.

SAČUVATI ZA BUDUĆU UPOTREBU.

- Ne dozvolite da se duvač koristi kao igračka. Pomna pažnja je neophodna kad ga koriste deca ili kad se koristi u blizini dece.
- Ako duvač ne radi kako bi trebalo, ako je ispušten, ako je oštećen ili ako je upao u vodu, odnesite ga u servisni centar.

- Ne gurajte nikakve predmete ni u kakve otvore. Ne koristite ako je bilo koji otvor blokiran; održavajte otvore čistim od prašine, dlačica, kose i svega što može da smanji protok vazduha.
- Budite veoma pažljivi kad čistite na stepenicama.
- Ne ostavljajte duvač bez nadzora kad je utikač baterije umetnut. Izvadite bateriju kad ne koristite duvač i pre servisiranja.
- Ne rukujte punjačem, obuhvatajući i utikač ili terminale punjača, mokrim rukama.
- Ne puniti bateriju na otvorenom prostoru.

⚠ UPOZORENJE:

- Baterija se mora izvaditi iz aparata pre recikliranja.

- Baterija se mora bezbedno odložiti na otpad.

- **NE** pokušavajte da očistite začepljenja iz jedinice a da niste prvo izvadili bateriju.
- **Održavajte duvač i njegovu dršku suvim, čistim i bez ulja i masnoće. Uvek koristite čistu krpu kad čistite.** Nikad ne koristite kočionu tečnost, benzin, proizvode na bazi petroleja ili bilo koje druge jake rastvarače za čišćenje duvača. Poštovanje ovog pravila će smanjiti rizik od gubitka kontrole i propadanja plastičnog kućišta.
- **Baterije mogu da eksplodiraju u prisustvu izvora paljenja, poput pilot plamenika.** Da biste smanjili rizik od ozbiljne telesne povrede, nikad ne koristite nikakve bežične proizvode u prisustvu otvorenog plamena. Eksplozija baterije može da izbací krhotine i hemikalije. Ako im budete izloženi, odmah isperite vodom.
- **Nikad ne pokrećite jedinicu bez pričvršćene odgovarajuće opreme.** Uvek vodite računa da cev duvača bude instalirana.
- **Nikad ne koristite duvač u blizini vatre ili vrućeg pepela.** Upotreba u blizini vatre ili pepela može da proširi vatru i dovede do ozbiljne povrede i/ili oštećenja imovine.
- **Nikad ne koristite duvač da širite hemikalije, đubrivo ili bilo kakve druge toksične supstance.** Širenje tih supstanci bi moglo da dovede do ozbiljne povrede rukovaoca ili prolaznika.
- **Sačuvajte ovo uputstvo.** Često ga pregledajte i koristite ga da uputite druge koji će možda koristiti ovaj alat. Ako pozajmite ovaj alat nekom drugom, pozajmite i ovo uputstvo da bi se sprečila pogrešna upotreba proizvoda i eventualna povreda.

SAČUVAJTE OVO UPUTSTVO!

SPECIFIKACIJE

Voltaža	56 V
Maksimalna zapremina vazduha	1020 m ³ /h
Maksimalna brzina vazduha	232 km/h
Maksimalna sila duvača	19 N
Preporučena radna temperatura	-15 °C - 40 °C
Preporučena temperatura skladištenja	-20 °C - 70 °C
Približno vreme rada (sa baterijom EGO 5,0 Ah)	15 min (pojačanje)
	22 min (veća brzina)
	120 min (manja brzina)
Težina duvača (bez baterije, sa cevi)	5,7 kg
Izmereni nivo jačine zvuka L _{WA}	94,6 dB(A) K=0,8 dB(A)
Nivo zvučnog pritiska kod uha rukovaoca L _{PA}	82 dB(A) K=2,5 dB(A)
Garantovan nivo jačine zvuka L _{WA} (prema 2000/14/EC)	95 dB(A)
Vibracije a _h	0,522 m/s ² K=1,5 m/s ²

- Deklarisana ukupna vrednost vibracije je izmerena u skladu sa standardnim metodom testiranja i može se koristiti za upoređivanje jednog alata sa drugim;
- Deklarisana ukupna vrednost vibracije može se koristiti u preliminarnoj proceni izlaganja.

NAPOMENA: Emisija vibracija tokom stvarne upotrebe električnog alata može da se razlikuje od deklarisanе vrednosti u kojoj se alat koristi. Da bi se rukovalac zaštitio, korisnik bi trebalo da nosi rukavice i štittike za uši u stvarnim uslovima korišćenja.

POPIS PAKOVANJA

NAZIV DELA	KOLIČINA
Duvač	1
Cev duvača	3
Priručnik za rukovaoca	1

OPIS

UPOZNAJTE SVOJ DUVAČ (slika A i B)

1. Ručka
2. Dugme za otključavanje baterije
3. Reza
4. Električni kontakti
5. Mehanizam izbacivanja
6. Ulaz vazduha
7. Prednja cev (zakrivljena pljosnata cev)
8. Izlaz vazduha
9. Prednja cev (cilindrična cev)
10. Srednja cev
11. Kontrolna ručka
12. Podesivi potporni remeni
13. Dugme za skladištenje cevi duvača
14. Dugme za pojačanje
15. Dugme za brzinu/zaključavanje
16. Okidač za brzinu vazduha
17. Leptir vijak
18. Žleb za kačenje cevi

⚠ UPOZORENJE: Bezbedna upotreba ovog proizvoda zahteva razumevanje informacija na alatu i u ovom priručniku sa uputstvima, kao i znanje o projektu koji planirate. Pre upotrebe ovog proizvoda, upoznajte se sa svim radnim funkcijama i sigurnosnim pravilima.

SKLAPANJE

⚠ UPOZORENJE: Ako su neki delovi oštećeni ili nedostaju, nemojte koristiti ovaj proizvod dok delovi ne budu zamenjeni. Korišćenje ovog proizvoda sa oštećenim ili nedostajućim delovima može dovesti do ozbiljnih telesnih povreda.

⚠ UPOZORENJE: Ne pokušavajte da modifikujete ovaj proizvod ili da pravite dodatke koji nisu preporučeni za korišćenje sa ovim duvačem. Svaka takva promena ili modifikacija je zloupotreba i može dovesti do opasnih uslova koji mogu da dovedu do ozbiljnih telesnih povreda.

⚠ UPOZORENJE: Da biste sprečili nehotično pokretanje koje bi moglo izazvati ozbiljne telesne povrede, uvek uklonite bateriju iz alata kada sklapate delove.

SKLAPANJE CEVI DUVAČA

1. Postoje tri cevi za duvač: dve prednje cevi (cilindrična cev i zakrivljena pljosnata cev) i srednja cev (slika C).

- Prvo stavite cilindričnu cev na srednju cev. Poravnajte bilo koji žleb na cilindričnoj cevi sa dugmetom na srednjoj cevi (slika D).
- Gurnite srednju cev unapred dok se dugme ne zakači u bilo koji od žlebova. Zatim okrenite srednju cev u smeru strelice dok dugme ne uđe u zaključani položaj (slika E).

Opis delova sa slike C i D pogledajte ispod:

C-1	Cilindrična cev	D-1	Dugme
C-2	Zakrivljena pljosnata cev	D-2	Žlebovi za različite položaje zaključavanja
C-3	Srednja cev		

NAPOMENA: Pre no što se srednja cev zaključa na njeno mesto tokom okretanja, primetićete ugrađeni graničnik koji će stvoriti određeni otpor. Nastavite da okrećete cev posle graničnika dok ne sklizne potpuno u zaključani položaj.

- Možete da smanjite ili povećate dužinu cevi po želji, tako što ćete zaključati srednju cev u različite položaje zaključavanja (slika F).

Opis delova sa slike F pogledajte ispod:

F-1	First lock position
F-2	Second lock position

- Privrstite sklop cevi na kućište duvača na isti način (slika G).

Pratite isti redosled da biste montirali zakrivljenu pljosnatu cev na duvač.

- Da biste skinuli sklop cevi sa kućišta duvača ili razdvojili dve cevi, prvo okrenite cev u smeru otključavanja da biste opustili rezu a zatim izvucite cev ravno napolje.

RUKOVANJE

⚠ UPOZORENJE: Ne dozvolite da zbog poznavanja ovog proizvoda postanete nemarni. Zapamtite da je delić sekunde nepažnje dovoljan da nanese ozbiljnu povredu.

⚠ UPOZORENJE: Ne koristite nikakve dodatke ili pribor koje nije preporučio proizvođač ovog proizvoda. Upotreba dodataka ili pribora koji nisu preporučeni može da dovede do ozbiljne telesne povrede.

⚠ UPOZORENJE: Uvek izvadite bateriju iz proizvoda kad sklapate delove, podešavate, čistite ili kad ga ne koristite. Vadenje baterije će sprečiti nehotično pokretanje koje bi moglo da izazove ozbiljne telesne povrede.

Pre svake upotrebe pregledajte čitav proizvod radi oštećenih, nedostajućih ili labavih delova poput vijaka,

navrtnja, zavrtnja, kapica itd. Čvrsto zategnite sve spojeve i kapice i ne rukujte ovih proizvodima dok svi nedostajući ili oštećeni delovi ne budu zamenjeni.

⚠ UPOZORENJE: Ako se desi hitan slučaj, odvojite direktno kopču na grudima da biste skinuli duvač.

PRIMENA

Možete koristiti ovaj proizvod za svrhe navedene ispod:

- Čišćenje tvrdih površina poput prilaza i trotoara.
- Održavanje terasa i prilaza čistim od lišća i borovih iglica.

NAPOMENA: Alat treba koristiti samo za propisanu svrhu. Svaka druga upotreba smatra se slučajem zloupotrebe.

INSTALIRANJE/VAĐENJE BATERIJE

NAPUNITE PRE PRVE UPOTREBE.

Koristite samo sa baterijama i punjačima navedenim na slici A.

NAPOMENA: Za najbolji učinak, preporučujemo upotrebu EGO 56 V baterije BA2800 (5,0 Ah) ili bilo koje EGO 56 V baterije većeg kapaciteta.

■ Za instalaciju (slika H)

Poravnajte rebra baterije sa prorazima za montiranje i pritisnite bateriju nadole dok ne čujete „klik“.

■ Za uklanjanje (slika I)

Pritisnite dugme za otključavanje baterije i izvucite bateriju.

⚠ UPOZORENJE: Uvek imajte u vidu položaj svojih stopala, dece ili kućnih ljubimaca kad pritisnete dugme za otključavanje baterije. Može doći do ozbiljnih povreda ako baterija ispadne. NIKAD ne vadite bateriju dok ste na visokom mestu.

POSTAVLJANJE RANCA DUVAČA

⚠ UPOZORENJE: Obucite se prikladno da biste smanjili rizik od povrede dok koristite ovaj alat. Ne nosite labavu odeću ili nakit. Nosite zaštitne naočare i zaštitu uva/sluha. Nosite debele, duge pantalone, duboke cipele i rukavice. Ne nosite kratke pantalone, sandale, papuče i ne radite bosi.

Za podešavanje potpornih remena

- Stavite ruke kroz remena ranca da biste stavili duvač na leđa.
- Privremeno podesite oba remena za ramena u udoban položaj (slika J), vodeći računa da vam bude udobno za laktove.
- Zakopčajte kopču na grudima i podesite njenu dužinu ako je neophodno (slika K).

- Zakopčajte kopču na struku i podesite njenu dužinu tako da vam ranac bude čvrsto oslonjen na kukove (slika L i M).

NAPOMENA: Ranac ne bi trebalo da vam bude previsoko na leđima; treba da bude namešten bliže kukovima nego ramenima.

- Ponovo podesite remena za ramena radi bezbednosti i udobnosti. Vodite računa da vam ranac stoji čvrsto na leđima, sa težinom oslonjenom na remen oko struka i bez prekomernih pokreta kad se pomerate (slika N).
- Umetnite eventualni višak dužine kaiša oko struka u lastiš sa obe strane (slika O).
- Da biste skinuli alat sa leđa, samo pritisnite kopču oko struka i na grudima da biste ih otkopčali i skinuli alat (slika P).

Za podešavanje kontrolne ručice

- Olabavite leptir navrtanj da biste podesili ručicu unapred ili unazad po potrebi (slika Q i R) a zatim zategnite leptir navrtanj da biste učvrstili položaj ručice.
- Možete i da okrenete ručicu po potrebi, radi udobnosti (slika S).
- Da biste povećali površinu koju čistite, pomerajte cev levo ili desno (slika T).

ZA POKRETANJE/ZAUSTAVLJANJE DUVAČA (SLIKA U)

Samo okidač za brzinu vazduha

- Pritisnite okidač za brzinu vazduha da biste uključili duvač.
- Brzina vazduha iz duvača se kontroliše okidačem varijabilne brzine. Veći pritisak na okidač daje veću brzinu duvanja; manji pritisak na okidač daje manju brzinu duvanja. Podesite brzinu tako da odgovara poslu koji obavljate.
- Pustite okidač za brzinu vazduha da biste isključili duvač.

Samo dugme za brzinu/zaključavanje

Duvač se može uključiti i zaključati na bilo kojoj brzini pomoću dugmeta za brzinu/zaključavanje.

- Okrenite dugme za brzinu/zaključavanje u smeru kazaljke na satu da biste pokrenuli duvač. Brzina vazduha će se povećavati kako okrećete dugme u smeru kazaljke na satu.
- Da biste smanjili brzinu vazduha, okrenite dugme za brzinu/zaključavanje suprotno kazaljki na satu.

- Nastavite da okrećete dugme za brzinu/zaključavanje suprotno kazaljki na satu do isključenog položaja da biste zaustavili duvač.

Napomena: Ako dugme za brzinu/zaključavanje nije okrenuto nazad u isključeni položaj pre uključivanja duvača, duvač se neće pokrenuti putem dugmeta za brzinu/zaključavanje kad napunjena baterija bude instalirana. Ovo je zaštitna funkcija koja pomaže da se spreči nehотиčno pokretanje. Pritiskanje okidača za brzinu vazduha može da deaktivira zaštitu.

Pritisnite dugme za pojačanje dok radite da biste privremeno povećali brzinu vazduha na maksimalni nivo. Duvač će nastaviti da radi prethodnom brzinom kad budete pustili dugme za pojačanje.

Opis delova sa Sl. U pogledajte ispod:

U-1	Dugme za brzinu/ zaključavanje	U-3	Okidač za brzinu vazduha
U-2	Dugme za pojačanje		

Saveti za korišćenje duvača

- Da biste sprečili razbacivanje materijala, duvajte oko spoljašnjih ivica gomile materijala. Nikad ne duvajte direktno u centar gomile.
- Da biste smanjili nivo zvuka, ograničite broj komada opreme koji se koriste istovremeno.
- Koristite grablje i metlu da rastresete materijal pre duvanja. U prašnjavim uslovima, blago ovlažite površinu kad je voda dostupna.
- Pazite na decu, kućne ljubimce, otvorene prozore ili nedavno oprane automobile i duvajte materijal bezbedno dalje od njih.
- Nakon korišćenja duvača ili druge opreme, počistite za sobom! Odložite materijal pravilno na otpad.
- Nije preporučljivo koristiti duvač na velikoj brzini tokom dužeg vremena jer jake vibracije i buka mogu da naškode vašem zdravlju.

ODRŽAVANJE

⚠ UPOZORENJE: Tokom servisiranja, koristite samo identične rezervne delove. Upotreba bilo kakvih drugih delova može da dovede do opasnosti ili da izazove oštećenje proizvoda. Da bi se osigurala sigurnost i pouzdanost, sve popravke treba da radi kvalifikovani servisni tehničar.

⚠ UPOZORENJE: Da biste izbegli ozbiljne telesne povrede, uvek izvadite bateriju iz proizvoda kad ga čistite ili održavate.

OPŠTE ODRŽAVANJE

Izbegavajte korišćenje rastvarača kada čistite plastične delove. Većina plastike je podložna oštećenjima od raznih tipova komercijalnih rastvarača i može se oštetiti njihovom upotrebom. Koristite čiste krpe da uklonite zemlju, prašinu, ulje, masnoću itd.

⚠ UPOZORENJE: Nemojte ni u kom trenutku dozvoliti da kočiona tečnost, benzin, proizvodi na bazi benzina, penetraciono ulje itd. dođu u kontakt sa plastičnim delovima. Hemikalije mogu da oštete, oslabe ili unište plastiku, što može da dovede do ozbiljne telesne povrede.

SKLADIŠTENJE

- Izvadite bateriju iz duvača.
- Očistite sav strani materijal iz ulaza vazduha na duvaču.
- Poravnajte dugme za skladištenje cevi duvača sa žlebom za kačenje cevi i zakačite cev duvača na kućište odeljka baterije (slika V i W).
- Skladištite u zatvorenom prostoru koji nije dostupan deci. Držite dalje od korozivnih sredstava, poput baštenskih hemikalija i soli za odmrzavanje.

Opis delova sa slike V pogledajte ispod:

V-1	Dugme za skladištenje cevi duvača
V-2	Žleb za kačenje cevi

Zaštita životne sredine



Ne odlažite električnu opremu, punjače baterija i baterije/punjive baterije u kućni otpad!

Prema evropskom zakonu 2012/19/EU, električna i elektronska oprema koja više nije upotrebljiva, te prema evropskom zakonu 2006/66/EC, defektne ili ispražnjene baterije, moraju se prikupljati zasebno i odlagati na otpad na ekološki prihvatljiv način.

Ako se električni aparati odlažu na deponije ili đubrišta, opasne supstance mogu da iscuru u podzemne vode i dospeju u lanac ishrane, nanoseći štetu vašem zdravlju i dobrobiti.

REŠAVANJE PROBLEMA

PROBLEM	UZROK	REŠENJE
Duvač ne radi.	<ul style="list-style-type: none"> ■ Baterija nije spojena na duvač. ■ Nema električnog kontakta između duvača i baterije. ■ Baterija je prazna. ■ Baterija ili duvač su prevrući. ■ Dugme za brzinu/zaključavanje nije okrenuto nazad u isključeni položaj pre uključivanja duvača. 	<ul style="list-style-type: none"> ■ Spojite bateriju na duvač. ■ Izvadite bateriju, proverite kontakte i ponovo instalirajte bateriju. ■ Napunite bateriju. ■ Ohladite bateriju i duvač dok temperatura ne padne ispod 67 °C. ■ Pritisnite okidač za brzinu vazduha da biste deaktivirali zaštitu i pokrenuli duvač ili prvo okrenite dugme za brzinu/zaključavanje na isključeni položaj.
Duvač prestaje da radi na brzini pojačanja.	<ul style="list-style-type: none"> ■ Prekomerno habanje ventilatora motora. ■ Ulaz vazduha je blokiran prljavštinom. 	<ul style="list-style-type: none"> ■ Obratite se EGO servisnom centru radi popravke. ■ Remove the battery pack, clear the debris.
The blower stops working at boost speed.	<ul style="list-style-type: none"> ■ Duvač je vukao puno struje iz baterije i otišao je u režim samozaštite. 	<ul style="list-style-type: none"> ■ Switch off the dial switch, then re-start the blower after the battery LED goes off. Remove the battery and plug the battery back in to restart the blower.

GARANCIJA

EGO POLITIKA GARANCIJE

Posetite veb-lokaciju egopowerplus.com za potpune uslove i odredbe EGO politike garancije.

PROČITAJTE UPUTSTVO U CIJELOSTI!



PROČITAJTE KORISNIČKI PRIRUČNIK.

NAPOMENA! Ovo uputstvo dostupno je i u alternativnom obliku, npr. na internetskoj stranici.

⚠ Preostale opasnosti! Osobe s elektroničkim uređajima poput srčanih elektrostimulatora prije upotrebe ovog proizvoda trebaju se posavjetovati sa svojim ljekarom. Rad električne opreme u neposrednoj blizini srčanih elektrostimulatora može uzrokovati smetnju ili kvar srčanog elektrostimulatora.

⚠ UPOZORENJE! Radi osiguranja sigurnosti i pouzdanosti, sve popravke i zamjene treba obavljati kvalifikovani servisni tehničar.

SIGURNOSNI SIMBOLI

Svrha sigurnosnih simbola je skretanje pažnje na moguće opasnosti. Sigurnosni simboli i njihova objašnjenja zahtijevaju vašu potpunu pažnju i razumijevanje. Sami simboli upozorenja sami po sebi ne isključuju opasnost. Uputstva i upozorenja koja pružaju nisu zamjena za propisne mjere za prevenciju nesreća.

⚠ UPOZORENJE! Prije upotrebe ovog alata pobrinite se da sva sigurnosna uputstva u ovom korisničkom priručniku, uključujući sve sigurnosne simbole kao što su **“OPASNOST”**, **“UPOZORENJE”** i **“OPREZ”** pročitate s razumijevanjem. Zanemarivanje svih uputstava navedenih u nastavku može rezultirati strujnim udarom, požarom i/ili teškim tjelesnim povredama.

PREVENTIVNE MJERE ZA ZAŠTITU OD OŠTEĆENJA I INFORMATIVNE PORUKE

Korisniku pružaju važne informacije i/ili uputstva čije zanemarivanje može dovesti do oštećenja opreme ili drugih materijalnih šteta. Svakoj poruci prethodi riječ **“NAPOMENA”**, kako je prikazano u primjeru u nastavku:

NAPOMENA! U slučaju zanemarivanja ovih uputstava može doći do oštećenja opreme i/ili materijalnih šteta.



⚠ UPOZORENJE! Rukovanje električnim alatima može rezultirati odbacivanjem stranih predmeta u oči, što opet može izazvati teška oštećenja očiju. Prije početka rukovanja električnim alatom, uvijek nosite zatvorene zaštitne naočale ili zaštitne naočale s bočnim štitnicima, a prema potrebi i štitnik za cijelo lice. Preporučujemo nošenje sigurnosne maske proizvođača Wide Vision preko naočala, ili nošenje standardnih zaštitnih naočala s bočnim štitnicima.

SIGURNOSNA UPUTSTVA

Na ovoj stranici slikovno su prikazani i objašnjeni sigurnosni simboli koji se mogu pojaviti na ovom proizvodu. Prije pokušaja sastavljanja i rukovanja, s razumijevanjem pročitajte sva uputstva na proizvodu i pridržavajte ih se.

	Simbol upozorenja	Mjere opreza koje se odnose na vašu sigurnost.
	Nosite zaštitu za oči.	Kada upotrebljavate ovaj proizvod, uvijek nosite zatvorene zaštitne naočale ili zaštitne naočale s bočnim štitnicima i štitnik za cijelo lice.
	Nosite zaštitu za sluh.	Kada rukujete ovim proizvodom, uvijek nosite zaštitu za sluh.
	Pročitajte korisnički priručnik.	Radi smanjenja opasnosti od povreda, prije upotrebe ovog proizvoda korisnik treba pročitati korisnički priručnik.
	Druge prisutne osobe držite na udaljenosti.	Druge prisutne osobe držite na udaljenosti od najmanje 15 m.
V	Volt	Napon
A	Amper	Struja
Hz	Herc	Frekvencija (ciklusi u sekundi)
W	Vat	Snaga
min	Minute	Vrijeme
m ³ /h	Kubni metri po satu	Količina zraka

km/h	Kilometri po satu	Brzina zraka
	Izmjenična struja	Vrsta struje
	Istosmjerna struja	Vrsta ili karakteristike struje
n_0	Brzina vrtnje bez opterećenja	Brzina okretanja, bez opterećenja
... /min	U minuti	Okretaji u minuti

Pri upotrebi električnih uređaja potrebno je uvijek pridržavati se osnovnih mjera opreza uključujući sljedeće:

OPĆA SIGURNOSNA UPOZORENJA ZA ELEKTRIČNE ALATE

⚠ UPOZORENJE! PROČITAJTE SVA SIGURNOSNA UPOZORENJA, UPUTSTVA, SVE ILUSTRACIJE I SPECIFIKACIJE ISPORUČENE S OVIM ELEKTRIČNIM ALATOM. Zanemarivanje svih uputstava navedenih u nastavku može rezultirati strujnim udarom, požarom i/ili teškim povredama.

SAČUVAJTE SVA UPOZORENJA I UPUTSTVA ZA BUDUĆE POTREBE.

Pojam "električni alat" u upozorenjima odnosi se na vaš električni alat na strujni pogon (s kabelom) ili električni alat na baterijski pogon (bez kabela).

SIGURNOST RADNOG PODRUČJA

- Radno područje održavajte čistim i dobro osvijetljenim. Pretrpana ili mračna područja izazivaju nesreće.
- Električni alat nemojte upotrebljavati u eksplozivnim atmosferama, kao na primjer u prisutnosti zapaljivih tekućina, benzina ili prašine. Električni alat stvara iskre koje mogu zapaliti prašinu ili isparenja.
- Djecu i druge prisutne osobe držite podalje tokom rada s električnim alatom. Ometanja mogu rezultirati gubitkom kontrole nad alatom.

ELEKTRIČNA SIGURNOST

- Utikači električnog alata moraju odgovarati utičnici. Nemojte modifikovati utikač ni na koji način. Nemojte upotrebljavati utikače adaptera s uzemljenim električnim alatima. Nemodifikovani utikači i odgovarajuće utičnice smanjit će rizik od strujnog udara.

- Izbjegavajte kontakt tijela s uzemljenim površinama, kao što su slavine, radijatori, peći i frižideri. Postoji povećan rizik od strujnog udara ako je vaše tijelo uzemljeno.
- Električni alat nemojte izlagati kiši ili mokrim uslovima. Prodiranje vode u električni alat povećat će rizik od strujnog udara.
- Nemojte nepropisno upotrebljavati kabel. Kabel nemojte nikada upotrebljavati za nošenje, povlačenje ili isključivanje električnog alata iz strujnog napajanja. Kabel držite podalje od topline, ulja, oštih rubova ili pokretnih dijelova. Oštećeni ili isprepleteni kabeli povećavaju rizik od strujnog udara.
- Kada električnim alatom radite na otvorenom, upotrebljavajte produžni kabel prikladan za upotrebu na otvorenom. Upotreba kabela prikladnog za upotrebu na otvorenom smanjuje rizik od strujnog udara.
- Ako je rad s električnim alatom u vlažnom području neizbježan, upotrebljavajte napajanje sa zaštitnim uređajem diferencijalne struje. Upotrebom zaštitnog uređaja diferencijalne struje smanjuje se rizik od strujnog udara.

LIČNA SIGURNOST

- Budite oprezni, gledajte šta radite i koristite se uobičajenim osjećajem kada radite s električnim alatom. Nemojte upotrebljavati električni alat kada ste umorni ili pod uticajem opojnih sredstava, alkohola ili lijekova. Trenutak nepažnje tokom rada s električnim alatima može rezultirati teškim tjelesnim povredama.
- Upotrebljavajte ličnu zaštitnu opremu. Uvijek nosite zaštitu za oči. Zaštitna oprema poput maske za zaštitu od prašine, neklizajuće sigurnosne obuće, kacige ili zaštite za sluh upotrijebljena za odgovarajuće uslove smanjit će tjelesne povrede.
- Sprječite nenamjerno pokretanje. Prije spajanja na izvor napajanja i/ili komplet baterija, uzimanja ili nošenja alata uvjerite se da se prekidač nalazi u isključenom položaju. Nošenje električnih alata s prstom na prekidaču ili napajanje električnih alata koji imaju uključen prekidač izaziva nesreće.
- Prije uključivanja električnog alata uklonite sve ključeve za podešavanje ili ključeve. Ključ ili ključ za podešavanje ostavljen pričvršćen na rotacijski dio električnog alata može rezultirati tjelesnim povredama.
- Nemojte se previše naginjati prema naprijed. Cijelo vrijeme održavajte propisno držanje i ravnotežu. To će omogućiti bolju kontrolu nad električnim alatom u neočekivanim situacijama.

- **Obucite se prikladno. Nemojte nositi široku odjeću ili nakit. Kosu, odjeću i rukavice uvijek držite podalje od dijelova koji se kreću.** Dijelovi koji se kreću mogu zahvatiti široku odjeću, nakit ili dugu kosu.
- **Ako su uređaji namijenjeni za spajanje sistema za izvlačenje i sakupljanje prašine, pobrinite se da se propisno spoje i upotrebljavaju.** Upotrebom uređaja za sakupljanje prašine mogu se smanjiti opasnosti koje se odnose na prašinu.
- **Nemojte dozvoliti da vas poznavanje alata stečeno čestom upotrebom učini samodopadnim pa da ignorišete sigurnosne principe za alat.** Nemarne radnje u djeliću sekunde mogu rezultirati teškim povredama.

UPOTREBA I NJEGA ELEKTRIČNOG ALATA

- **Nemojte preopterećavati električni alat.** Upotrebljavajte ispravan električni alat za svoju primjenu. Ispravan električni alat bolje će i sigurnije odraditi posao pri brzini za koju je predviđen.
- **Nemojte upotrebljavati električni alat ako ga prekidač ne uključuje i isključuje.** Svaki električni alat koji se ne može kontrolirati prekidačem opasan je i potrebno ga je popraviti.
- **Prije obavljanja podešavanja, zamjene dodatne opreme ili skladištenja električnih alata isključite utikač iz izvora napajanja i/lili komplet baterija iz električnog alata.** Takve preventivne sigurnosne mjere smanjuju rizik od iznenadnog pokretanja električnog alata.
- **Nekorišteni električni alat skladištite izvan dohvata djece i nemojte dozvoliti da osobe koje ne poznaju električni alat ili ova uputstva rade s električnim alatom.** Električni alati opasni su u rukama neobučениh korisnika.
- **Održavajte električne alate.** Provjerite jesu li pokretni dijelovi centrirani ili spojeni, ima li polomljenih dijelova i postoji li stanje koje može uticati na rad električnog alata. Ako je oštećen, električni alat dajte na popravak prije upotrebe. Loše održavani električni alati uzrok su mnogih nesreća.
- **Rezne alate održavajte oštroma i čistima.** Propisno održavani rezni alati s oštrim reznim rubovima vjerovatno se neće spajati i lakši su za upravljanje.
- **Električni alat, dodatnu opremu i alatne nastavke, itd., upotrebljavajte u skladu s ovim uputstvima, uzimajući u obzir radne uslove i posao koji je potrebno obaviti.** Upotreba električnog alata za radove drukčija od namjenske može rezultirati opasnim situacijama.
- **Rukohvate i površine rukohvata održavajte suhim, čistim i očišćenim od ulja i masti.** Skliski rukohvati i

skliske površine rukohvata onemogućuju sigurno rukovanje i upravljanje alatom u neočekivanim situacijama.

UPOTREBA I NJEGA BATERIJSKOG ALATA

- **Punjenje obavljajte samo s punjačem kojeg je naveo proizvođač.** Punjač koji je prikladan za jedan tip kompleta baterija može stvoriti rizik od požara ako ga se upotrebljava s drugim kompletom baterija.
- **Električni alat upotrebljavajte samo s izričito navedenim kompletima baterija.** Upotreba drugih kompleta baterija može stvoriti rizik od povreda i požara.
- **Kada se komplet baterija ne upotrebljava, držite ga podalje od drugih metalnih predmeta poput spajalica za papir, kovanica, ključeva, eksera, vijaka ili drugih malih metalnih predmeta koji mogu međusobno spojiti kontakte.** Kratko spajanje baterijskih kontakata može uzrokovati opekotine ili požar.
- **U slučaju pogrešne upotrebe, baterija može izbaciti tekućinu; izbjegavajte kontakt.** Ako slučajno dođe do kontakta, odnosna mjesta isperite vodom. Ako tekućina dođe u kontakt s očima, dodatno potražite pomoć ljekara. Tekućina koju izbací baterija može uzrokovati nadražaj kože ili opekotine.
- **Nemojte upotrebljavati oštećen ili modifikovan komplet baterija ili alat.** Oštećene ili modifikovane baterije mogu pokazati nepredvidivo ponašanje koje može rezultirati požarom, eksplozijom ili opasnošću od povreda.
- **Komplet baterija ili alat nemojte izlagati vatri ili previsokoj temperaturi.** Izlaganje vatri ili temperaturi višoj od 130 °C može uzrokovati eksploziju.
- **Pridržavajte se svih uputstava za punjenje i komplet baterija ili alat nemojte puniti izvan okvira opsega temperature navedenog u uputstvima.** Nepropisno punjenje ili punjenje pri temperaturama izvan okvira određenog opsega može oštetiti bateriju i povećati opasnost od požara.

SERVISIRANJE

- **Servisiranje električnog alata prepustite kvalifikovanom osoblju za popravak koje upotrebljava samo identične zamjenske dijelove.** Time će se osigurati održavanje sigurnosti električnog alata.
- **Nemojte nikada servisirati oštećene komplete baterija.** Servisiranje kompleta baterija smiju obavljati samo proizvođač ili ovlašteni serviseri.

PRIJE UPOTREBE OVOG PROIZVODA PROČITAJTE SVA UPUTSTVA!

BS

OBUKA

- Nemojte nikada dozvoliti da ovaj uređaj upotrebljavaju djeca, osobe ograničenih fizičkih, čulnih ili mentalnih sposobnosti ili nedovoljnog iskustva i znanja ili osobe koje nisu upoznate s ovim uputstvima.
- Rukovalac ili korisnik odgovoran je za nesreće ili opasnosti za druge osobe ili njihovu imovinu.

PRIPREMA

- Ovaj električni alat može se upotrebljavati na kiši ili u mokrim uslovima. Električni alat osušite nakon obavljenog posla.
- Prije upotrebe provjerite jesu li baterije ili kompleti baterija oštećeni. Nemojte upotrebljavati uređaj ako su baterije ili komplet baterija oštećeni.

RAD

- Ovaj električni alat može se upotrebljavati na kiši ili u mokrim uslovima. Električni alat osušite nakon obavljenog posla.
- Odspojite baterije ili komplet baterija:
 1. kada ostavljate uređaj;
 2. prije uklanjanja blokade;
 3. prije provjere, čišćenja ili rada na uređaju;
 4. ako uređaj počne da neobičajeno vibrira.
- Uvijek osigurajte dobro uporište na nagibima.
- Hodajte, nemojte nikada trčati.
- Sve ulazne otvore zraka za hlađenje održavajte očišćenim od nečistoća.
- Preporučujemo da uređaj upotrebljavate samo u razumna doba dana – ne rano ujutro ili kasno navečer kada možete smetati ljudima.
- U prašnjavim uslovima preporučujemo da blago navlažite površine ili da upotrebljavate priključak raspršivača.

⚠ UPOZORENJE! Opasnost od rotirajućih dijelova!

- Upotrebljavajte cijeli produžetak mlaznice puhača lišća tako da zrak može strujati blizu tla.
- Nemojte upotrebljavati uređaj u blizini otvorenih prozora, itd.

ODRŽAVANJE I SKLADIŠTENJE

- Sve matice, svornjake i vijke održavajte pritegnutima radi osiguranja sigurnog radnog stanja uređaja.
- Zamijenite istrošene ili oštećene dijelove.

- Upotrebljavajte samo originalne zamjenske dijelove i pribor.
- Uređaj skladištite samo na suhom mjestu.

⚠ UPOZORENJE! Radi smanjenja opasnosti od požara, strujnog udara ili povreda:

VAŽNO

PAŽLJIVO PROČITAJTE PRIJE UPOTREBE.

SAČUVAJTE ZA BUDUĆE POTREBE.

- Nemojte dozvoliti da se puhač lišća upotrebljava kao igračka. Potreban je poseban oprez kada puhač lišća upotrebljavaju djeca ili kada se puhač lišća upotrebljava u blizini djece.
- Ako puhač lišća ne radi propisno, ako je ispao, oštećen ili ako je pao u vodu, vratite ga u servisni centar.
- Nemojte stavljati predmete u otvore uređaja. Nemojte upotrebljavati uređaj ako su otvori blokirani. Otvore održavajte očišćenim od prašine, vlakana, dlaka i svega ostalog što može smanjiti protok zraka.
- Budite posebno oprezni kada čistite na stepenicama.
- Puhač lišća nemojte ostavljati bez nadzora kada je utikač baterije utaknut. Izvadite bateriju kada ne upotrebljavate puhač lišća i prije radova servisiranja.
- Punjačem, uključujući utikač punjača ili priključke punjača, nemojte rukovati mokrih ruku.
- Komplet baterija nemojte puniti na otvorenom.


⚠ UPOZORENJE!

- Komplet baterija je potrebno izvaditi iz uređaja prije odlaganja u otpad.
- Bateriju je potrebno odložiti u otpad na siguran način.
- **NEMOJTE** pokušavati da čistite začepljenja iz jedinice, a da prethodno niste izvadili bateriju.
- **Puhač lišća i pripadajuće rukohvate održavajte suhim, čistim i očišćenim od ulja i masti.** Za čišćenje uvijek upotrebljavajte čistu krpu. Za čišćenje puhača lišća nemojte nikada upotrebljavati koćione tekućine, benzin, proizvode na bazi nafte ili jake rastvore. Pridržavanjem ovog pravila smanjit će se opasnost od gubitka kontrole nad uređajem i trošenje plastičnih dijelova kućišta.

- **Baterije mogu eksplodirati u prisutnosti izvora paljenja, kao što je plinski plamen.** Radi izbjegavanja opasnosti od teških tjelesnih povreda, akumulatorski proizvod nemojte nikada upotrebljavati u prisutnosti otvorenog plamena. Eksplozivna baterija može izbaciti krhotine i hemikalije. U slučaju izlaganja zahvaćena mjesta odmah isperite vodom.
- **Jedinicu nemojte nikada pokretati bez propisno pričvršćene opreme.** Uvijek se uvjerite da je cijev puhača lišća postavljena.
- **Puhač lišća nemojte nikada upotrebljavati u blizini vatre ili vrućeg pepela.** Upotreba u blizini vatre ili pepela može izazvati požar i rezultirati teškim povredama i/ili materijalnim štetama.
- **Puhač lišća nemojte nikada upotrebljavati za raspršivanje hemikalija, gnojiva ili drugih toksičnih supstanci.** Raspršivanje takvih supstanci može rezultirati teškim povredama rukovaoca ili drugih prisutnih osoba.
- **Sačuvajte ova uputstva.** Uputstvima se koristite često i koristite ih za upućivanje drugih osoba koje mogu upotrebljavati ovaj alat. Ako ovaj alat nekom posudite, priložite i ovo uputstvo radi sprečavanja nepropisne upotrebe proizvoda i mogućih povreda.

SACUVAJTE OVA UPUTSTVA!

TEHNIČKI PODACI

Napon	56 V 
Maksimalna količina zraka	1020 m ³ /h
Maksimalna brzina zraka	232 km/h
Maksimalna sila puhača lišća	19 N
Preporučena radna temperatura	-15 °C - 40 °C
Preporučena temperatura skladištenja	-20 °C - 70 °C
Približno vrijeme rada (s EGO baterijom 5,0 Ah)	15 min (ubrzan rad)
	22 min (visoka brzina)
	120 min (niska brzina)
Masa puhača lišća (bez kompleta baterija, sa cijevi)	5,7 kg
Izmjereni nivo zvučne snage L _{WA}	94,6 dB(A) K=0,8 dB(A)
Nivo zvučnog pritiska kod uha rukovaoca L _{PA}	82 dB(A) K=2,5 dB(A)

Zagarantovani nivo zvučne snage L _{WA} (u skladu s Direktivom 2000/14/EZ)	95 dB(A)
Vibracije a _h	0,522 m/s ² K=1,5 m/s ²

- Deklarisane ukupne vrijednosti vibracija izmjerene su u skladu sa standardnom metodom ispitivanja i mogu se primjenjivati za poređenje jednog alata sa drugim.
- Deklarisane ukupne vrijednosti vibracija mogu se primjenjivati i u preliminarnoj procjeni izloženosti.

NAPOMENA! Emisija vibracija tokom aktualne upotrebe električnog alata može se razlikovati od deklarirane vrijednosti u kojoj se alat upotrebljavao; Korisnik radi zaštite treba nositi rukavice i štittike za uši u aktualnim uslovima upotrebe.

LISTA PAKOVANJA

NAZIV DIJELA	KOLIČINA
Puhač lišća	1
Cijev puhača lišća	3
Korisnički priručnik	1

OPIS

UPOZNAJTE SVOJ PUHAČ LIŠĆA (sl. A i B)

1. Rukohvat
2. Dugme za oslobađanje baterije
3. Bravica
4. Električni kontakti
5. Mehanizam za izbacivanje
6. Ulazni otvor za zrak
7. Prednja cijev (zakrivljena ravna cijev)
8. Izlazni otvor za zrak
9. Prednja cijev (cilindrična cijev)
10. Srednja cijev
11. Upravljački rukohvat
12. Podesivi sistem za nošenje na leđima
13. Okretno dugme za skladištenje cijevi puhača lišća
14. Dugme za ubrzan rad
15. Dugme za odabir brzine/zabavljanje
16. Okidač za brzinu zraka
17. Krilna matica
18. Žlijeb za vješanje cijevi

⚠ UPOZORENJE! Sigurna upotreba ovog proizvoda zahtijeva razumijevanje informacija na alatu i u ovom uputstvu za upotrebu, kao i poznavanje radova koje namjeravate obaviti. Prije upotrebe ovog proizvoda upoznajete se sa svim radnim funkcijama i sigurnosnim propisima.

SASTAVLJANJE

⚠ UPOZORENJE! Ako je bilo koji dio oštećen ili ako nedostaje, nemojte upotrebljavati ovaj proizvod dok ne zamijenite dijelove. Upotreba ovog proizvoda oštećenih dijelova ili dijelova koji nedostaju može rezultirati teškim tjelesnim povredama.

⚠ UPOZORENJE! Nemojte pokušavati da modifikujete ovaj proizvod ili da pravite pribor koji nije preporučen za upotrebu s ovim puhačem lišća. Sve takve izmjene ili modifikacije predstavljaju nepropisnu potrebu i mogu rezultirati opasnim stanjima koja mogu dovesti do mogućih teških tjelesnih povreda.

⚠ UPOZORENJE! Radi sprečavanja iznenadnog pokretanja koje može uzrokovati teške tjelesne povrede, uvijek izvadite komplet baterija iz alata kada postavljate dijelove.

POSTAVLJANJE CIJEVI PUHAČA LIŠĆA

1. Postoje tri cijevi za puhač lišća: dvije prednje cijevi (cilindrična cijev i zaobljena ravna cijev) i srednja cijev (sl. C).
2. Najprije pričvrstite cilindričnu cijev na srednju cijev. Poravnajte sve žlijebove u cilindričnoj cijevi s okretnim dugmetom na srednjoj cijevi (sl. D).
3. Gurnite srednju cijev naprijed da okretno dugme ulegne u sve žlijebove. Zatim okrenite srednju cijev u smjeru strelice da okretno dugme klizne u položaj završljivanja (sl. E).

Opis dijelova na sl. C i D pogledajte u nastavku:

C-1	Cilindrična cijev	D-1	Okretno dugme
C-2	Zakrivljena ravna cijev	D-2	Žlijebovi za različite položaje završljivanja
C-3	Srednja cijev		

NAPOMENA! Prije nego se srednja cijev završi u položaju tokom okretanja, osjetit ćete ugrađeni zaustavljač koji će stvoriti mali otpor. Nastavite okretati cijev preko zaustavljača dok potpuno ne klizne u položaj završljivanja.

4. Dužinu cijevi možete skratiti ili produžiti prema želji završljivanjem srednje cijevi u različite položaje završljivanja (sl. F).

Opis dijelova na sl. F pogledajte u nastavku:

F-1	Prvi položaj završljivanja
F-2	Drugi položaj završljivanja

5. Na isti način pričvrstite sklop cijevi na kućište puhača lišća (sl. G).

Za pričvršćivanje zaobljene ravne cijevi na puhač lišća postupite na isti način.

6. Za skidanje sklopa cijevi s kućišta puhača lišća ili za razdvajanje dviju cijevi, najprije okrenite cijev u smjeru odbravljanja radi deaktivacije zapora, a zatim ravno izvucite cijev.

RAD

⚠ UPOZORENJE! Nemojte dozvoliti da vas poznavanje ovog proizvoda učini nepažljivim. Imajte na umu da je za nanošenje teških povreda dovoljan samo djelić sekunde nepažnje.

⚠ UPOZORENJE! Nemojte upotrebljavati priključke ili pribor koje nije preporučio proizvođač ovog proizvoda. Upotreba nepreporučenih priključaka ili pribora može rezultirati teškim tjelesnim povredama.

⚠ UPOZORENJE! Kada postavljate dijelove, obavljate radove podešavanja, čišćenja ili kada ne upotrebljavate proizvod, komplet baterija uvijek izvadite iz proizvoda. Vađenjem kompleta baterija spriječit će se iznenadno pokretanje koje može uzrokovati teške tjelesne povrede.

- Prije svake upotrebe pregledajte cijeli proizvod na postojanje oštećenih, nedostajućih ili otpuštenih dijelova, kao što su vijci, matice, osovinice, kapice, itd. Dobro pritegnite sve pričvršne elemente i kapice i nemojte upotrebljavati ovaj proizvod dok ne postavite sve dijelove koji nedostaju ili zamijenite sve oštećene dijelove.

⚠ UPOZORENJE! Ako se nađete u hitnoj situaciji, odmah odvojite prsnu kopču da skinete puhač lišća.

PRIMJENA

Ovaj proizvod možete upotrebljavati za svrhe navedene u nastavku:

- Čišćenje čvrstih površina kao što su putevi i staze.
- Održavanje trijemova i puteva očišćenim od lišća i borovih iglica.

NAPOMENA! Alat se smije upotrebljavati samo za prethodno opisanu namjenu. Svaka druga upotreba smatra se nepropisnom upotrebom.

POSTAVLJANJE/SKIDANJE KOMPLETA BATERIJA

KOMPLET BATERIJA NAPUNITE PRIJE PRVE UPOTREBE.

Upotrebljavajte samo s kompletima baterija i punjačima koji su navedeni na sl. A.

NAPOMENA! Za najbolji radni učinak preporučujemo upotrebu EGO baterije od 56 V BA2800 (5,0 Ah) ili bilo koje EGO baterije od 56 V većeg kapaciteta.

■ Postavljanje (sl. H)

Poravnajte kontakte baterije s montažnim utorima i pritišćite komplet baterija prema dolje dok ne začujete zvuk "klikanja".

■ Skidanje (sl. I)

Pritisnite dugme za oslobađanje baterije i izvucite komplet baterija.

⚠ UPOZORENJE! Kada pritišćete dugme za oslobađanje baterije, uvijek vodite računa o položaju stopala, djeci ili kućnim ljubimcima. Ako komplet baterija padne, može doći do teških povreda. Komplet baterija nemojte NIKADA vaditi kada se nalazite visokom položaju.

POZICIONIRANJE PUHAČA LIŠČA S LEDNOM BATERIJOM

⚠ UPOZORENJE! Obucite se propisno kako biste smanjili rizik od povreda tokom rukovanja alatom. Nemojte nositi široku odjeću ili nakit. Nosite zaštitu za oči i uši/sluh. Nosite robusne duge hlače, čizme i rukavice. Nemojte nositi kratke hlače, sandale ili biti bosonogi.

Podешavanje sistema za nošenje na leđima

1. Provcite ruke kroz trake leđne baterije kako biste podržali puhač lišća na leđima.
2. Privremeno podesite obje ramene trake u ugodne položaje (sl. J) vodeći računa da lakat bude u ugodnom položaju.
3. Zatvorite prsnu kopču i prema potrebi podesite dužinu (sl. K).
4. Zatvorite pojasnu kopču i podesite dužinu tako da vam kukovi dobro podupiru leđnu bateriju (sl. L i M).

NAPOMENA! Leđna baterija ne smije biti previsoko na vašim leđima; potrebno ju je pozicionirati bliže kukovima nego ramenima.

5. Ponovo podesite ramene trake radi sigurnosti i udobnosti. Uvjerite se da je leđna baterija dobro namještena na vašim leđima, tako da njenu masu podržava pojasna traka i da se previše ne pomjera kada se krećete (sl. N).

6. Umetnite višak trake oko pojasa u gumu sa svake strane (sl. O).
7. Za skidanje alata s leđa jednostavno pritisnite pojasnu i prsnu kopču kako biste ih otpustili i spustite alat (sl. P).

Podешavanje upravljačkog rukohvata

1. Otpustite krilnu maticu za podešavanje rukohvata naprijed ili nazad prema potrebi (sl. Q i R), a zatim je pritegnite kako biste osigurali položaj rukohvata.
2. Rukohvat prema potrebi možete i okrenuti radi ugodnijeg položaja (sl. S).
3. Za povećanje područja koje čistite, pomjerite cijev ulijevo ili udesno (sl. T).

POKRETANJE/ZAUSTAVLJANJE PUHAČA LIŠČA (sl. U)

Samo okidač za brzinu zraka

- Za uključivanje puhača lišća pritisnite okidač za brzinu zraka.
- Brzinom zraka puhača lišća upravlja se pomoću varijabilnog okidača brzine. Veći pritisak na okidač rezultira višim brzinama puhanja, a manji pritisak na okidač nižim brzinama puhanja. Podesite brzinu da odgovara odnosnom zadatku.
- Za isključivanje puhača lišća otpustite okidač za brzinu zraka.

Samo dugme za odabir brzine/zabavljanje

Puhač lišća može se uključiti i završiti pri bilo kojoj brzini pomoću dugmeta za odabir brzine/zabavljanje.

- Za pokretanje puhača lišća okrenite dugme za odabir brzine/zabavljanje u smjeru kretanja kazaljki na satu. Brzina zraka povećat će se okretanjem dugmeta u smjeru kretanja kazaljki na satu.
- Za smanjenje brzine zraka okrenite dugme za odabir brzine/zabavljanje u smjeru suprotnom smjeru kretanja kazaljki na satu.
- Za zaustavljanje puhača lišća nastavite okretati dugme za odabir brzine/zabavljanje u smjeru suprotnom smjeru kretanja kazaljki na satu u isključeni položaj.

Napomena! Ako se dugme za odabir brzine/zabavljanje ne okrene nazad u isključeni položaj prije uključivanja puhača lišća, puhač lišća neće se pokrenuti putem dugmeta za odabir brzine/zabavljanje kada se postavi napunjena baterija. To je zaštitna funkcija za sprečavanje iznenadnog pokretanja. Zaštita se može deaktivirati pritiskom na okidač za brzinu zraka.

Za privremeno povećanje brzine zraka na maksimalni nivo, tokom rada pritisnite dugme za ubrzan rad. Po otpuštanju

dugmeta za ubrzan rad, puhač lišća nastavit će raditi na prethodnoj brzini.

Opis dijelova na sl. U pogledajte u nastavku:

U-1	Dugme za odabir brzine/zabavljanje	U-3	Okidač za brzinu zraka
U-2	Dugme za ubrzan rad		

Savjeti za upotrebu puhača lišća

- Radi izbjegavanja rasipanja otpada, puhač lišća usmjeravajte oko vanjskih rubova hrpe otpada. Puhač lišća nemojte nikada usmjeravati u sredinu hrpe.
- Radi smanjenja nivoa zvuka, ograničite broj komada korištene opreme u bilo koje vrijeme.
- Za čišćenje nečistoća prije otpuhivanja upotrebljavajte grablje i metle. U prašnjavim uslovima blago navlažite površine ako je voda dostupna.
- Pazite na djecu, kućne ljubimce, otvorene prozore ili svježe oprane automobile i na siguran način otpušite otpad.
- Puhače lišća ili drugu opremu očistite nakon upotrebe! Propisno zbrinite otpad.
- Ne preporučujemo dugotrajnu upotrebu puhača lišća pri visokoj brzini jer velike vibracije i buka mogu naštetiti vašem zdravlju.

ODRŽAVANJE

⚠ UPOZORENJE! Kada obavljate radove servisiranja, upotrebljavajte samo identične zamjenske dijelove. Upotreba drugih dijelova može uzrokovati opasnost ili oštećenje proizvoda. Radi osiguranja sigurnosti i pouzdanosti, sve popravke treba obavljati kvalifikovani servisni tehničar.

⚠ UPOZORENJE! Radi izbjegavanja teških tjelesnih povreda, uvijek izvadite komplet baterija iz proizvoda prije obavljanja radova čišćenja ili održavanja.

OSNOVNO ODRŽAVANJE

Kada čistite plastične dijelove, izbjegavajte upotrebljavati rastvore. Mnoge plastike mogu se oštetiti različitim vrstama komercijalnih rastvora i mogu se oštetiti njihovom upotrebom. Za uklanjanje prljavštine, prašine, ulja, masti i sl. upotrebljavajte čiste krpe.

⚠ UPOZORENJE! Nemojte nikada dozvoliti da kočione tekućine, benzin, proizvodi na bazi nafte, penetrirajuća ulja i sl., dođu u kontakt s plastičnim dijelovima. Hemikalije mogu oštetiti, oslabiti ili uništiti plastiku, što može rezultirati teškim tjelesnim povredama.

SKLADIŠTENJE

- Izvadite komplet baterija iz puhača lišća.
- Očistite sav strani materijal iz ulaznih otvora za zrak puhača lišća.
- Poravnajte okretno dugme za skladištenje cijevi puhača lišća sa žlijebom za vješanje cijevi i zakačite cijev puhača lišća na kućište pretinca za bateriju (sl. V i W).
- Alat skladištite u zatvorenom prostoru na mjestu nedostupnom djeci. Alat držite podalje od korozivnih sredstava kao što su vrtna hemijska sredstva i soli za odmrzavanje.

Opis dijelova na sl. V pogledajte u nastavku:

V-1	Okretno dugme za skladištenje cijevi puhača lišća
V-2	Žlijeb za vješanje cijevi

Zaštita životne sredine



Električnu opremu, punjač baterije i baterije/punjive baterije ne odlažite u kućni otpad!

Evropska Direktiva 2012/19/EU o električnoj i elektroničkoj opremi koja više nije iskoristiva i Evropska Direktiva 2006/66/EZ zahtijevaju da se neispravni ili iskorišteni kompleti baterija/baterije moraju sakupljati zasebno.

Ako se električni uređaji odlažu na odlagališta otpada ili deponije, opasne tvari mogu iscurjeti u podzemne vode i dospjeti u lanac ishrane i negativno uticati na zdravlje i dobrobit ljudi.

OTKLANJANJE PROBLEMA

PROBLEM	UZROK	RJEŠENJE
Puhač lišća ne radi.	<ul style="list-style-type: none"> ■ Komplet baterija nije pričvršćen na puhač lišća. ■ Nema električnog kontakta između puhača lišća i baterije. ■ Komplet baterija je ispražnjen. ■ Komplet baterija ili puhač lišća je previše vruć. ■ Dugme za odabir brzine/zabavljanje nije okrenuto nazad u isključeni položaj prije uključivanja puhača lišća. 	<ul style="list-style-type: none"> ■ Pričvrstite komplet baterija na puhač lišća. ■ Izvadite bateriju, provjerite kontakte i ponovo stavite komplet baterija. ■ Napunite komplet baterija. ■ Pričekajte da se komplet baterija ili puhač lišća ohlade na temperaturu ispod 67 °C. ■ Za deaktivaciju zaštite pritisnite okidač za brzinu zraka i pokrenite puhač lišća ili najprije okrenite dugme za odabir brzine/zabavljanje u isključeni položaj.
Brzina zraka primjetno se smanjuje.	<ul style="list-style-type: none"> ■ Prekomjerna istrošenost ventilatora motora. ■ Ulazni otvor za zrak blokiran je naslagama. 	<ul style="list-style-type: none"> ■ Za popravak se obratite servisnom centru proizvođača EGO. ■ Izvadite komplet baterija, očistite naslage.
Puhač lišća prestaje raditi na brzini režima ubrzanog rada.	<ul style="list-style-type: none"> ■ Puhač lišća crpio je visok napon iz baterije i prelazi u režim samozaštite. 	<ul style="list-style-type: none"> ■ Isključite prekidač za odabir, a zatim ponovo pokrenite puhač lišća nakon isključivanja LED svjetlosnog indikatora baterije. Za ponovno pokretanje puhača lišća izvadite bateriju i uključite komplet baterija.

GARANCIJA

POLITIKA GARANCIJE PROIZVOĐAČA EGO

Za sve odredbe i uslove politike garancije proizvođača EGO posjetite internetsku stranicu egopowerplus.com.

!קראו את כל ההוראות



קראו את מדריך ההוראות

הודעה: הוראות אלה יהיו זמינות גם בפורמט חלופי, כגון באתר אינטרנט.

⚠ סיכון שיווי! אנשים בעלי מכשירים חשמליים כגון קוצבי לב, צריכים להתייעץ עם הרופא(ים) המטפלי(ים) בהם לפני השימוש במכשיר זה. הפעלה של ציוד חשמלי בקרבת קוצבי לב עלולה להפריע לפעולת הקוצב או אפילו להפסיק את פעולתו.

⚠ אזהרה: על מנת להבטיח בטיחות ואמינות, יש לבצע את כל התיקונים וההחלפות בעזרת טכנאי שירות מוסמך.

סימני בטיחות

מטרתם של סימני הבטיחות היא להפנות את תשומת לבכם אל סכנות אפשריות. סימני הבטיחות וההסברים שלהם דורשים את תשומת הלב וההבנה המלאות שלכם. סימני הבטיחות בעצמם לא ימנעו כל סכנה. ההוראות והאזהרות אותן הם מספקים לא תחלפנה נקיטת אמצעי מניעה מתאימים בעת תאונה.

⚠ אזהרה: וודאו שאתם קוראים ומבינים את כל הוראות הבטיחות המופיעות במדריך זה למשתמש, כולל את כל סימני התראות הבטיחות כגון „**סכנה**“, „**אזהרה**“ ו-„**זהירות**“ לפני השימוש במכשיר זה. אי מילוי אחר כל ההוראות המופיעות למטה יכול לגרום להלם חשמלי, שריפה ו/או פציעות חמורות.

הודעות מידע ומניעת סכנה

אלה מודיעות למשתמש על מידע חשוב ו/או הוראות אשר אם לא יבוצעו הן עשויות לגרום לנזק לרכוש. לפני כל הודעה מופיעה המילה „**הודעה**“, כמו בדוגמה להלן:

הודעה: נזק לציוד ו/או לרכוש עשוי להיגרם אם הוראות אלה לא יבוצעו.

⚠ אזהרה: הפעלה של כלי עבודה חשמליים עלולה לגרום לעצמים זרים להיזרק אל תוך העיניים, דבר העלול לגרום לנזק חמור לעיניים. לפני ההפעלה של כלי עבודה חשמלי, ענדו תמיד משקפי מגן או משקפי בטיחות עם הגנה צדדית, ובעת הצורך, הגנה עבור כל הפנים. אנו ממליצים על שימוש במסכת בטיחות רחבה מעל למשקפי המגן או על שימוש במשקפי בטיחות עם הגנה צדדית.



הוראות בטיחות

עמוד זה מצוין ומתאר את סימני הבטיחות העשויים להופיע על גבי המוצר. קראו, הבינו ועקבו אחר ההוראות המופיעות על המכשיר לפני כל ניסיון להרכיב ולהשתמש בה.

	התראת בטיחות	אמצעים הקשורים לבטיחותכם.
	לבשו מגני עיניים	ענדו תמיד משקפי מגן או משקפי בטיחות עם הגנה צדדית, ובעת הצורך, הגנה עבור כל הפנים, בעת הפעלת המוצר זה.
	לבשו מגני אזניים	השתמשו תמיד במגני אזניים בעת הפעלת המוצר זה.
	קראו את מדריך ההוראות	על מנת להפחית את הסיכון לפציעות, על המשתמש לקרוא ולהבין את המדריך למשתמש לפני השימוש במוצר זה.
	בקשו מאנשים אחרים להתרחק	הרחיקו אנשים אחרים למרחק של 15 מ' לפחות.
V	ולט	מתח
A	אמפרים	זרם
Hz	הרץ	תדירות (מחזורים לשנייה)
W	וואט	מתח
min	דקות	זמן
m ³ /h	מ"ר לשעה	נפח אוויר
km/h	ק"מ לשעה	מהירות האוויר
~	זרם חלופי	סוג זרם
☰	זרם ישיר	סוג או מאפיין מתח
η ₀	מהירות ללא עומס	מהירות סיבובית, ללא עומס
.../min	לדקה	סיבובים לדקה

בעת שימוש במכשירי חשמל יש לנקוט באמצעי זהירות בסיסיים, כולל האמצעים הבאים:

אזהרות בטיחות כלליות עבור כלי עבודה חשמליים

אזהרה: קראו את כל אזהרות הבטיחות, את

ההוראות, התמונות והמפרטים המסופקים ביחד

עם מכשיר חשמלי זה. אי מילוי כל ההוראות המופיעות

למטה יכול לגרום אחריו שוק חשמלי, שרפה ו/או פציעה

חמורה

שימרו את כל האזהרות וההוראות לעיון עתידי.

המושג «כלי עבודה חשמלי» בחלק האזהרות מתייחס אל כלי העבודה החשמלי שלכם (חוטי) או כלי עבודה חשמלי המונע על ידי סוללות (אלחוטי).

בטיחות סביבת העבודה

שימרו על סביבת העבודה נקייה ומוארת כהלכה. סביבות לא מסודרות ואפלות מזמינות תאונות.

אל תפעילו את המכשיר החשמלי באזורים דליקים, בנוכחות נוזלים דליקים, גזים או אבק. כלי עבודה חשמליים מייצרים ניצוצות העלולים להצית את האבק או האדים.

בקשו מילדים ומעוברי אורח להתרחק מן המכשיר החשמלי בעת הפעלתו. הסחות דעת עלולות לגרום לכם לאבד את השליטה.

בטיחות חשמלית

התקעים של המכשיר החשמלי צריכים להיות מתאימים לשקע. לעולם אל תשנו את התקע בכל צורה שהיא. אל תשתמשו במתאמים עבור תקעים של מכשירים חשמליים בעלי הארקה. תקעים שלא שונו ושקעים מתאימים יפחיתו את הסיכון להלם חשמלי.

הימנעו ממגע עם משטחים בעלי הארקה, כגון צינורות, רדיאטורים, כיריים ומקררים. יש סיכון גבוה להלם חשמלי אם הגוף שלכם מוארק.

אל תחשפו את המכשיר החשמלי לגשם או לתנאים רטובים. מים הנכנסים אל המכשיר החשמלי יגבירו את הסכנה להלם חשמלי.

אל תפעילו לחץ על הכבל. לעולם אל תשתמשו בכבל על מנת לשאת, למשוך או להוציא את המכשיר החשמלי מן השקע. שימרו על הכבל הרחק ממקורות חום, שמן, קצוות חדים או חלקים נעים. כבלים ניזוקים או מלופפים מגבירים את הסיכון לשוק חשמלי.

בעת הפעלת המכשיר החשמלי בחוץ, עשו שימוש בכבל מאריך המתאים לשימוש בחוץ. השימוש בכבל מאריך המתאים לשימוש בחוץ מפחית את הסיכון לשוק חשמלי.

אם אין לא ניתן להימנע מהפעלת המכשיר החשמלי במקום לח, עשו שימוש במפסק פחת להגנה על המתח. השימוש במפסק פחת מפחית את הסיכון לשוק חשמלי.

בטיחות אישית

הישארו דרוכים, הביטו במה שאתם עושים והשתמשו בשכל הישר כאשר אתם משתמשים במכשיר החשמלי. נא לא להשתמש במכשיר החשמלי כאשר אתם עייפים או תחת השפעה של סמים, אלכוהול או תרופות. רגע אחד של חוסר תשומת לב בעת הפעלת המכשיר החשמלי עלול לגרום לפציעה אישית חמורה.

השתמשו בציוד הגנה אישי. תמיד לבשו מגני עיניים. כאשר נעשה שימוש בציוד הגנה כגון מסכת אבק, נעלי בטיחות נגד החלקה, קסדות או מגני אוזניים, בתנאים המתאימים, הדבר יפחית את הסיכון לפציעות אישיות חמורות.

מנעו הפעלה מקרית. וודאו שהמתג נמצא במצב כבוי לפני חיבור של מקור מתח ו/או מארז הסוללה, לפני הרמת המכשיר החשמלי או נשיאתו. נשיאה של מכשירים חשמליים כאשר האצבע שלכם ממוקמת על המתג או חיבור מקורות מתח למכשירים חשמליים הנמצאים במצב פועל, מזמינים תאונות.

הסירו כל כלי כוונון או מפתח ברגים לפני ההפעלה של המכשיר החשמלי. מפתח ברגים או כלי כוונון המוצמד אל חלק מסתובב של המכשיר החשמלי עלול לגרום לפציעה אישית חמורה.

אל תנסו להתמתח רחוק מדי. שימרו על צעד ואיזון בטיחים בכל זמן. הדבר מאפשר שליטה טובה יותר במכשיר החשמלי במצבים לא צפויים.

לבשו בגדים מתאימים. אל תלבשו בגדים רפויים או תכשיטים. שימרו על השיער שלכם ועל חלקי ביגוד וכפפות הרחק מחלקים נעים. בגדים רפויים, תכשיטים או שיער ארוך עלולים להתפס בחלקים הנעים.

אם המכשירים מגיעים ביחד עם חיבור להוצאת אבק ומתקני איסוף, וודאו שאלו מחוברים כהלכה והשימוש בהם נעשה באופן נכון. השימוש במתקני אבק יכול להפחית סכנות הקשורות לאבק.

אל תאפשרו לעצמכם להיות פחות זהירים בגלל שימוש תכוף במכשיר החשמלי, אל תהיו שאננים ואל תתעלמו מעקרונות הבטיחות. פעולה לא זהירה עלולה לגרום לפציעה חמורה בתוך שבריר שנייה.

השימוש והטיפול במכשיר החשמלי

אל תפעילו כוח על המכשיר החשמלי. השתמשו במכשיר החשמלי המיועד למטרה שלכם. המכשיר החשמלי הנכון יבצע את עבודתו בצורה טובה ובטוחה יותר בקצב בו הוא תוכנן לפעול.

- אל תשתמשו במכשיר החשמלי אם מתג ההפעלה והכיבוי איננו פועל. כל מכשיר חשמלי אשר לא ניתן לשלוט בו בעזרת המתג הוא מסוכן ויש לתקן אותו.
- נתקו את התקע ממקור החשמל ו/או הסירו את מארז הסוללה מן המכשיר החשמלי לפני ביצוע כל התאמה, שינוי של אביזרים, או אחסון של מכשירי חשמל. אמצעי זהירות למניעה אלו מפחיתים את הסיכון להפעלה מקרית של המכשיר החשמלי.
- אחסנו מכשירים חשמליים אשר אינם בשימוש הרחק מהישג ידם של ילדים ואל תאפשרו לאנשים אשר אינם מכירים את המכשיר החשמלי או אשר לא קראו את ההוראות להפעיל את המכשיר החשמלי. מכשירים חשמליים מסוכנים בידם של אנשים אשר לא הוכשרו להפעיל אותם.
- תחזקו מכשירים חשמליים. בדקו יישור או ליפוף של חלקים נעים, שבירה של חלקים וכל תנאים אחרים אשר עלולים להשפיע על פעולת המכשיר החשמלי. אם המכשיר החשמלי ניזוק, יש לתקן אותו לפני השימוש בו. תאונות רבות נגרמות כתוצאה מתחזוקה לקויה מכשירים חשמליים.
- שימרו על כלי החיתוך חדים ונקיים. לכלי חיתוך אשר תוחזקו כהלכה בעלי קצוות חדים יש פחות סיכוי לבצע ליפוף וקל יותר לשלוט בהם.
- השתמשו במכשירים החשמליים, באביזרים, בחתיכות המכשירים וכו' בהתאם להוראות אלו, כאשר אתם לוקחים בחשבון את תנאי העבודה ואת העבודה שיש לבצע. שימוש במכשיר החשמלי לפעולות אחרות מאשר אלו אליהן הוא מיועד עלול להסתיים במצב מסוכן.
- שימרו על הידיות ועל חלקי האחיזה יבשים, נקיים וללא שמן או חומרי סיכה. ידיות ומשטחי אחיזה מחליקים לא מאפשרים טיפול נכון ושליטה במכשיר במצבים לא צפויים.
- השימוש והטיפול בסוללה
 - הטעינו רק עם המטען המצוין על ידי היצרן. מטען המתאים למארז סוללה אחד עלול ליצור סכנת אש עבור מארז סוללה אחר.
 - השתמשו במכשירים חשמליים עם מארזי סוללה המיועדים להם. השימוש במארזי סוללה אחרים עלול ליצור סיכון לפציעות ושרפות.
 - כאשר מארז הסוללה איננו בשימוש, שימרו עליו במרחק מסוים מעצמים אחרים העשויים ממתכת, כגון מדהקי נייר, מטבעות, מפתחות, מסמרים, ברגים או עצמים קטנים ממתכת העלולים לבצע חיבור של מסוף אחד למשנהו. ביצוע קצר בין מסופי הסוללה עלול לגרום לכוויות או שרפה.
 - תחת תנאי שימוש לא נאותים, נודל עלול להיפלט מן הסוללה; הימנעו ממגע. אם ישנו מגע מקרי,

- שטפו במים. אם מתרחש מגע עם העיניים, בנוסף, פנו לעזרה רפואית. נודל הנפלט מן הסוללה עלול לגרום לפריחה או כוויות.
- אל תשתמשו במארז סוללה או מכשיר חשמלי ניזוקים או אשר שנו. סוללות ניזוקות או אשר שונו עלולות להתנהג בצורה לא צפויה אשר עלולה להסתיים בשרפה, פיצוץ או סיכון לפציעה אישית.
- אל תחשפו את מארז הסוללה או את המכשיר אל אש או טמפרטורות גבוהות. חשיפה אל אש או טמפרטורות גבוהות מ-130 C עלולה לגרום לפיצוץ.
- בצעו את כל הוראות ההטענה ואל תטעינו את מארז הסוללה או את הכלי החשמלי מחוץ לטווחי הטמפרטורה המצוינים בהוראות אלו. הטענה לא נכונה או מחוץ לטווחי הטמפרטורה המצוינים עלולים לגרום לנזק ולהעלות את הסיכון לשרפה.

שירות

- בצעו עבודות שירות על המכשיר החשמלי שלכם רק באמצעות טכנאי שירות מוסמך העושה שימוש בחלקי חילוף זהים בלבד. הדבר יבטיח שבטיחות המכשיר החשמלי נשמרת.
- לעולם אל תבצעו עבודות שירות למארזי סוללה ניזוקים. שירות למארזי סוללה צריך להתבצע רק על ידי היצרן או ספקי שירות מוסמכים.

קראו את כל ההוראות לפני השימוש במוצר זה!

הכשרה

- לעולם אין לאפשר לילדים, לאנשים בעלי יכולות פיזיות, תחושתיות או מנטליות מוגבלות או חוסר ניסיון יודע ו/או אנשים שאינם מכירים את ההוראות להשתמש במכשיר.
- המפעיל או המשתמש אחראיים עבור כל תאונה או סכנה אשר עלולים להתרחש לאנשים אחרים או לרכושם.

הכנה

- ניתן להשתמש במכשיר החשמלי בגשם או בתנאים רטובים. נגבו את המכשיר החשמלי לאחר סיום העבודה.
- לפני השימוש יש לבדוק שהסוללות או מארזי הסוללה אינם פגומים. אין להשתמש במכשיר אם הסוללות או מארז הסוללה פגומים.

הפעלה

- ניתן להשתמש במכשיר החשמלי בגשם או בתנאים רטובים. נגבו את המכשיר החשמלי לאחר סיום העבודה.

- אין להשאיר את המפוח ללא השגחה כאשר תקע הסוללה מחובר. הוציאו את הסוללה כאשר המפוח אינו בשימוש ולפני טיפול.
 - אין לטפל במטען, כולל תקע המטען או מסופי המטען בידיים רטובות.
 - אין להטעין את מארז הסוללה מחוץ לבית.
- ⚠ אזהרה:**
- יש להסיר את מארז הסוללה מן הציוד טרם זריקתו.
 - יש להשליך את הסוללות בדרך בטוחה.
 - אל תנסו לפנות חסימות מהיחידה מבלי להוציא תחילה את הסוללה.
 - שימרו על המפוח והיחידת יבשים, נקיים וללא שמן או חומרי סיכה. השתמשו תמיד במטלית נקיה בעת הניקוי. לעולם אל תשתמשו בנוזלי בלמים, דלק, מוצרים מבוססי בנזין או כל ממש חזק אחר לניקוי המפוח שלך. ביצוע הוראה זו יפחית את הסיכון לאבדן שליטה ולבלאי של חיפוי הפלסטיק.
 - סוללות יכולות להתפוצץ בנוכחות מקור הצתה כגון להבית. כדי להפחית את הסיכון לנזק חמורה לעולם אל תשתמשו במוצרים אלחוטיים בנוכחות להבות גלויות. להבה שהתפוצצה יכולה להעיק סביב פסולת וכימיקלים. אם נחשפתם, שטפו מיד בכמות גדולה של מים.
 - לעולם אל תפעילו את היחידה כאשר הציוד הנדרש אינו מחובר. וודאו תמיד שצינור המפוח מחובר.
 - לעולם אל תשתמשו במפוח ליד אש או אפר חם. השימוש ליד אש או אפר יכול לגרום להתפשטות שרפות ולפציעה חמורה ו/או נזק לרכוש.
 - לעולם אל תשתמשו במפוח כדי לפזר כימיקלים, חומרי דישון, או כל חומר רעיל אחר. פיזור חומרים אלה יכול לגרום לפציעה חמורה למעיל או לטובעים.
 - שימרו על הוראות אלה. עיינו בהם בתדירות גבוהה והשתמשו בהם על מנת להדריך אחרים אשר עשויים להשתמש במכשיר. אם אתם מלווים את הכלי למישהו אחר, תנו לו גם את ההוראות הללו על מנת למנוע שימוש לא נכון במכשיר או פציעות אפשריות.
- שימרו על הוראות אלו!**
- נתקו את הסוללות או מארזי הסוללות:
 1. כאשר אתם עוזבים את המכשיר;
 2. לפני ניקיון של חסימה;
 3. לפני בדיקה, ניקיון או עבודה על הציוד;
 4. אם המכשיר מתחיל לרטוט באופן שאינו נורמלי.
 - בעת השימוש על גבי מדרונות, היו בטוחים בצעדים שלכם.
 - לכו, לעולם אל תרוצו.
 - הקפידו שכל פתחי כניסת האוויר הקר יהיו נקיים מפסולת.
 - מומלץ להפעיל את המכשיר בשעות סבירות בלבד - לא מוקדם בבוקר או מאוחר בלילה כאשר הדבר עלול להפריע לאנשים אחרים.
 - מומלץ להרטיב מעט את המשטחים במצבים של ריבוי אבק או להשתמש בתרסיס המצורף.
- ⚠ אזהרה:** סכנה מפני חלקים מסתובבים!
- השתמשו בכל מאריך הפיה של המפוח כדי שזרם האוויר יוכל לפעול קרוב יותר לקרקע.
 - אין להפעיל את המכשיר ליד חלונות פתוחים וכד'.
- תחזוקה ואחסון**
- שימרו על כל האומים, הבריחים והברגים הדוקים על מנת לוודא שהמכשיר נמצא בתנאי עבודה טובים.
 - החליפו חלקים בלויים או פגומים.
 - השתמשו בחלקי חילוף ואביזרים מקוריים בלבד.
 - אחסנו את המכשיר במקום יבש בלבד.
- ⚠ אזהרה:** אזהרה: כדי להפחית את הסיכון לשרפה, הלם חשמלי או פציעה:

שוב

קראו בעיון לפני השימוש.
שמרו לעיון עתיד.

- אל תאפשרו למפוח לשמש כמשחק. נדרשת זהירות יתירה בעת שימוש על ידי ילדים או בקרבתם.
- אם המפוח אינו עובד כמו שצריך, הוא הפול, נפגע, או נפל לתוך מים, החזירו אותו למרכז שירות.
- אין להניח חפצים בפתחי המכשיר. אין להשתמש כאשר פתח כלשהו חסום, יש לשמור על כל הפתחים נקיים מאבק, מוך, שיער וכל דבר העלול להפחית את זרימת האוויר.
- פעלו בזהירות יתירה בעת הניקיון מדרגות.

מפרטים

מתח	56 V
נפח אוויר מקסימלי	1020 m ³ /h
מהירות האוויר המקסימלית	232 קמ"ש
עוצמת נשיפה מקסימלית	19 N
טמפרטורת הפעלה מומלצת	-15°C-40°C
טמפרטורת אחסון מומלצת	-20°C-70°C
זמן הפעלה משוער (עם סוללת EGO 5.0 Ah)	15 דקות (הגברה)
	22 דקות (מהירות גבוהה)
	120 דקות (מהירות נמוכה)
משקל המפוח (ללא מארז סוללה, עם צינור)	5,7 ק"ג
רמת עוצמת קול נמדדת L _{WA}	94,6 dB(A) K=0,8 dB(A)
רמת לחץ קול באוזן המפעיל L _{PA}	82 dB(A) K=2,5 dB(A)
רמת עוצמת קול מובטחת L _{WA} (נמדדת על פ 2000/14/EC)	95 dB(A)
רטט a _h	0.522 מ'/שניה ² K=1,5 מ'/שניה ²

- ערך הרטט הכללי המוצהר נמדד בהתאם לשיטת בדיקה סטנדרטית וניתן להשתמש בו על מנת להשוות ציוד אחד עם ציוד אחר;
 - ניתן להשתמש בערך הרטט הכללי המוצהר בהערכה ראשונית של חשיפה.
- הודעה:** פליטת הרטט בעת השימוש המעשי בכלי יכולה להיות שונה מן הערך המוצהר כאשר הכלי נמצא בשימוש; על מנת להגן על המפעיל, על המשתמש ללבוש כפפות ומגני אוזניים בעת השימוש בפועל.

רשימת אריזה

שם חלק	כמות
מפוח	1
צינור המפוח	3
מדריך למפעיל	1

תיאור

הכירח את המפוח שלכם (איור A ו-B)

- ידית
- כפתור שחרור סוללה
- בריח

4. חיבורים חשמליים
5. מנגנון פליטה
6. פתח כניסת אוויר
7. צינור קדמי (צינור מעוקל שטוח)
8. פתח יציאת האוויר
9. צינור קדמי (צינור גלילי)
10. צינור אמצעי
11. ידית בקרה
12. רתמת תמיכה הניתנת להתאמה
13. ידית אחסון צינור המפוח
14. כפתור הגברה
15. מהירות/נעילה על החוגה
16. הדק מהירות האוויר
17. אום הידוק
18. חריץ תליתי הצינור

⚠ אזהרה: השימוש בטוח במוצר זה מצריך הבנה של המידע הנמצא על גבי המכשיר ובמדריך הוראות זה, כמו גם ידע בנוגע לפרויקט אותו אתם מנסים לבצע. לפני השימוש במוצר זה, התוודעו לכל מאפייני ההפעלה וחוקי הבטיחות.

הרכבה

⚠ אזהרה: אם ישנם חלקים ניזוקים או חסרים, אל תפעילו את המכשיר עד אשר חלקים אלו יוחלפו. שימוש במכשיר זה עם חלקים פגומים או חסרים עלול לגרום לפציעה אישית חמורה.

⚠ אזהרה: אל תנסו לשנות את המוצר או ליצור אביזרים אשר אינם מומלצים לשימוש ביחד עם המפוח. כל שינוי שכזה או הוספה מהווה שימוש לא נכון במכשיר ועלול לגרום לתנאים מסוכנים אשר יובילו לפציעה אישית אפשרית.

⚠ אזהרה: על מנת למנוע הפעלה מקרית אשר עלולה להוביל לפציעה אישית חמורה, הסירו תמיד את מארז הסוללה מן המכשיר בעת הרכבת חלקים.

הרכבת צינורות המפוח

1. ישנם שלושה צינורות למפוח שני צינורות קדמיים (צינור גלילי וצינור שטוח מפותל) וצינור אמצעי (איור C).
2. חברו תחילה את הצינור הגלילי על גבי הצינור האמצעי. יישרו את אחד מהחריצים בצינור הגלילי עם הכפתור שעל הצינור האמצעי (איור D).
3. דחפו את הצינור האמצעי קדימה עד לכניסת הכפתור לאחד מן החריצים. לאחר מכן סובבו את הצינור האמצעי בכיוון החץ עד שהכפתור מחליק לתוך מצב הנעילה (איור E)

ראו למטה תיאור חלקים באיור C ו-D:

C-1	צינור גלילי	D-1	כפתור
C-2	צינור שטוח מפותל	D-2	חריצים למצבי נעילה שונים.
C-3	צינור אמצעי		

הודעה: לפני שהצינור האמצעי ננעל במקומו במהלך הסיבוב, תבחינו במעצור מובנה אשר ייצור התנגדות מסוימת. המשיכו לטובב את הצינור מעבר למעצור עד שהוא יחליק לגמרי למצב הנעילה.

4. תוכלו לקצר או להאריך את הצינור על פי העדפתכם על ידי נעילת הצינור האמצעי במצבי הנעילה השונים (איור F).

ראו למטה תיאור חלקים בתמונה F:

F-1	מצב נעילה ראשון
F-2	מצב נעילה שני

5. חברו את הצינור על גוף המפוח באותה צורה (איור G).

בצעו את רצף הפעולות הנ"ל כדי לחבר את הצינור השטוח המפותל למפוח.

6. כדי להסיר את מכלול הצינור מגוף המפוח או כדי להפריד את שני הצינורות, סובבו תחילה את הצינור בכיוון הפתיחה כדי לנתק את הבריח ואז משכו את הבריח ישירות החוצה.

הפעלה

⚠ אזהרה: אל תניחו לעובדה שאתם מכירים את המוצר להפוך אתכם לפחות זהירים. זכרו שחוסר זהירות של שבריר שנייה מספיק לגרום לפציעה אישית חמורה.

⚠ אזהרה: אל תעשו שימוש בחיבורים או אביזרים אשר לא הומלצו על ידי יצרן מוצר זה. השימוש בחיבורים או אביזרים אשר לא הומלצו עלול לגרום לפציעה חמורה.

⚠ אזהרה: הסירו תמיד את מארז הסוללה מן המכשיר בעת הרכבת חלקים, ביצוע התאמות, ניקיון או כאשר המכשיר איננו נמצא בשימוש. על מנת למנוע הפעלה מקרית אשר עלולה להוביל לפציעה אישית חמורה, הסירו תמיד את מארז הסוללה מן המכשיר.

לפני כל שימוש בדקו את כל המוצר עבור חלקים פגומים, משוחררים או חסרים, כגון ברגים, אומים, בריחים, מכסים וכו'. הדקו בבטחה את כל האבזמים והמכסים ואל תפעילו את המוצר עד אשר חלקים חסרים או ניזוקים תוקנו או הוחלפו.

⚠ אזהרה: אם אתם נתקלים במקרה חירום, הפרידו את אבזם החזה מיד כדי להסיר את המפוח.

יישום

- אתם יכולים להשתמש במוצר רק עבור המטרות הללו:
- פינוי משטחים קשים כגון דרכי גישה ברגל או ברכב.
- שמירה על דרכי גישה ומשטחי עץ פנויים מעלים ומחטי אורן.

הודעה: יש להשתמש במכשיר רק עבור המטרות להן הוא יועד. כל שימוש אחר ייחשב לשימוש בלתי הולם.

התקנה/הסרה של מארז הסוללה

הטעינו לפני השימוש הראשון.

השתמשו רק עם מארזי הסוללה והמטענים הרשומים באיור

הודעה: לביצועים מיטביים, אנו ממליצים להשתמש בסוללת EGO 56V (5.0 Ah) BA2800 או בכל סוללת EGO 56V בעלת קיבולת גבוהה יותר.

- להתקנה (איור H)
- ישרו את עורקי הסוללה עם חריצי ההרכבה ולחצו את מארז הסוללה כלפי מטה עד אשר יישמע „קליק“.
- להסרה (איור I)
- לחצו על כפתור שחרור הסוללה והסירו את מארז הסוללה.

⚠ אזהרה: שימו לב תמיד אל המיקום של הרגליים שלכם, ילדים או חיות מחמד, בעת לחיצה על כפתור שחרור הסוללה. עלולה להיגרם פציעה חמורה אם מארז הסוללה ייפול. לעולם אל תסירו את מארז הסוללה במקומות גבוהים.

הצבת מפוח הגב

⚠ אזהרה: לבשו בגדים מתאימים על מנת להפחית את הסיכון לפציעות בעת השימוש בכלי זה. אל תלבשו בגדים רפויים או תכשיטים. השתמשו בהגנה לעיניים / אוזניים. לבשו מכנסיים כבדים, ארוכים, מגפיים וכפפות. אל תלבשו מכנסיים קצרים או סנדלים ואל תפעילו כאשר אתם יחיפים.

להתאמת רמת התמיכה

- השחילו את זרועותיכם לרצועות תיק הגב כדי לתמוך במפוח על גבכם.
- התאימו באופן זמני את רצועות שתי הכתפיים לתנוחה נוחה (איור J) והבטיחו את נוחות המרפק שלכם.
- הדקו את אבזם החזה והתאימו את האורך לפי הצורך (איור K).
- הדקו את אבזם המותן והתאימו את אורכו כך שתיק הגב ייתמך בביטחה על ידי המותניים (איור L-M).

הודעה: תיק הגב אינו אמור לשבת במיקום גבוה מדי על גבכם, עליו להיות מונח קרוב יותר למותניים מאשר לכתפיים.

- התאימו מחדש את רצועות הכתף לביטחות ונוחות. וודאו שתיק הגב יושב בביטחה על גבכם, כשהמשקל נתמך על ידי רצועות המותן, וללא תזוזה יתירה כאשר אתם זזים (איור N).
- הכניסו את כל האורך העודף של החגורה סביב המותן לתוך הרצועה האלסטית בשני הצדדים (איור O).

- 7. כדי לנתק את הכלי מגבכם, פשוט לחצו את אבזמי החזה והמותן כדי לשחרר אותם ולהוריד את הכלי (איור P).
- להתאמת ידית הבקרה**
1. שחרר את אום הכנף כדי לכוון את הידית קדימה או אחורה לפי הצורך (איור Q ו-R) ואז הדק את אום הכנף כדי לאבטח את מיקום הידית.
 2. תכולו גם לסובב את הידית לפי הצורך למען נוחותכם (איור S).
 3. כדי להגדיל את האזור שאתם מנקים, הזיזו את הצינור לימין או לשמאל (איור T).

להפעלה/לכיבוי של המפוח (איור U)

- הדק מהירות האוויר בלבד**
- לחצו על הדק מהירות האוויר כדי להפעיל את המפוח.
 - מהירות האוויר של המפוח מבוקרת על ידי הדק המהירות המשנתה. לחץ נוסף על ההדק גורם למהירויות נשיפה גבוהות יותר, לחץ מופחת על ההדק גורם למהירויות נשיפה נמוכות יותר. התאימו את המהירות כך שתתאים למשימה הנוכחית.
 - שחררו את הדק מהירות האוויר כדי לכבות את המפוח.

חוגת מהירות/נעילה בלבד

- ניתן להפעיל את המפוח ולנעול בכל מהירות שהיא בעזרת חוגת הנירות/נעילה
- סובבו את חוגת המהירות/נעילה בכיוון השעון כדי להפעיל את המפוח. מהירות האוויר תגבר בזמן שהחוגה מסובבת בכיוון השעון.
 - כדי להפחית את מהירות האוויר, סובבו את חוגת המהירות/נעילה נגד כיוון השעון.
 - המשיכו לסובב את חוגת המהירות/נעילה נגד כיוון השעון עד למצב הכבוי כדי לכבות את המפוח.
- הודעה:** אם חוגת המהירות/נעילה אינה מסובבת בחזרה למצב הכבוי לפני הפעלת המפוח, המפוח לא יופעל באמצעות חוגת המהירות/נעילה כאשר מותקנת סוללה טעונה. זהו מאפיין הגנה שיעזור למנוע הפעלות בלתי מכוונות. לחיצה על הדק מהירות האוויר יכולה להשבית את ההגנה.
- לחצו על לחצן ההגברה בזמן העבודה כדי להגביר את מהירות האוויר באופן זמני לרמה המקסימלית. המפוח יחזור למהירות הקודמת כאשר לחצן ההגברה ישוחרר. ראו למטה תיאור חלקים בתמונה U:

U-1	חוגת מהירות/נעילה	U-3	הדק מהירות האוויר
U-2	כפתור הגברה		

טיפים לשימוש במפוח

- כדי להימנע מפיזור הפסולת, נשפו סביב הקצוות החיצוניים של ערימת פסולת. לעולם אל תנשפו ישירות למרכז הערימה.

- להפחתת רמות הרעש, הגבילו את מספר חלקי הציוד המשמשים בבת אחת.
- השתמשו במגרפות ומטאטאים לשחרור הפסולת לפני השימוש במפוח. במצבי אבק, הרטיבו מעט את המשטחים כאשר יש מים בנמצא.
- שימו לב לילדים, חיות מחמד, חלונות פתוחים או משם בביטחה.
- לאחר שימוש במפוחים או בציוד אחר, נקו אחריכם! השליכו את הפסולת כראוי.
- לא מומלץ להשתמש במפוח במהירות גבוהה לזמן ארוך, מכיוון שרטט ורעש חזק עלולים להזיק לבריאותכם.

תחזוקה

⚠ אזהרה: במקרה של עבודות תיקון, השתמשו רק בחלקי חילוף זהים. שימוש בחלקי חילוף אחרים עלול לגרום לסכנה או נזק למוצר. על מנת להבטיח בטיחות ואמינות, יש לבצע את כל התיקונים וההחלפות בעזרת טכנאי שירות מוסמך.

⚠ אזהרה: על מנת למנוע פציעות אישיות, הסירו תמיד את מארז הסוללה מן המוצר לפני הניקיון או ביצוע כל עבודת תחזוקה.

תחזוקה כללית

הימנעו משימוש בממסים כאשר אתם מנקים חלקי פלסטיק. רוב חלקי הפלסטיק עלולים להיזק מסוגים שונים של ממסים מסחריים ועל ידי השימוש בהם. השתמשו במטליות נקיות על מנת להסיר לכלוך, אבק, שמן, חומר סיכה וכו'.

⚠ אזהרה: לעולם אל תיתנו לנוזלי בלימה, בנדין, מוצרים מבוססי בנדין, שמנים וכו', לבוא במגע עם חלקי פלסטיק. חומרים כימיים עלולים להזיק, להחליש או להרוס את הפלסטיק והדבר עלול לגרום לפגיעה אישית חמורה.

לשמור על הסביבה



אל תיזרקו ציוד חשמלי, מטען הסוללה וסוללות/סוללות ניתנות לטעינה ביחד עם אשפה ביתית! בהתאם לחוק האירופי 2012/19/ EU, ציוד חשמלי ואלקטרוני אשר איננו נמצא יותר בשימוש, ובהתאם לחוק האירופי 2006/66/EC, ציוד חשמלי ואלקטרוני ניזוק, "אספו באופן נפרד. אם ציוד חשמלי נזרק ביחד עם אשפה ביתית או במזבלה, חומרים מסוכנים עלולים לנזול אל האדמה ולהפוך לחלק משרשרת המזון, דבר העלול לגרום לנזק לבריאות והרווחה שלכם.

אחסון

- הסירו את מארז הסוללה מהמפוח. נקו את כל החומרים הזרים מפתחי כניסת האוויר של המפוח.
- יישרו את ידית אחסון צינור המפוח עם חריץ תליית הצינור ותלו את צינור המפוח על גבי גוף תא הסוללה (איור V-1).
- אחסנו את הכלי במקום סגור הרחק מהישג ידם של ילדים. הרחיקו מחומרים הגורמים לקורוזיה כגון כימיקלים לגינה ומלחים מסירי קרח. ראו למטה תיאור חלקים באיור V:

V-1	ידית אחסון צינור המפוח
V-2	חריץ תליית הצינור

איתור וטיפול בבעיות

בעיה	סיבה	פתרון
המפוח אינו עובד.	<ul style="list-style-type: none"> מארז הסוללה אינו מחובר למפוח. לא מתבצע חיבור חשמלי בין המפוח לסוללה. קיבולת מארז הסוללה ריקה. מארז הסוללה או המפוח חמים מדי. חוגת המהירות/נעילה לא סובבה בחזרה למצב הכבוי לפני הפעלת המפוח. 	<ul style="list-style-type: none"> חברו את מארז הסוללה אל המפוח. הסירו את הסוללה, בדקו את החיבורים והתקינו מחדש את מארז הסוללה. הטעינו את מארז הסוללה. קררו את מארז הסוללה או המפוח עד לטמפרטורה של פחות מ- 67°C. לחצו על הדק מהירות האוויר כדי להשבית את ההגנה ולהפעיל את המפוח או סובבו תחילה את חוגת המהירות/נעילה למצב הכיבוי.
מהירות האוויר פוחתת באופן משמעותי.	<ul style="list-style-type: none"> בלאי מוגבר של מאוורר המנוע. פתח כניסת האוויר חסום על ידי פסולת. 	<ul style="list-style-type: none"> צרו קשר עם מרכז השירות של EGO לצורך תיקון. הסירו את מארז הסוללה, נקו את הפסולת.
המפוח מפסיק לפעול במהירות הגברה.	<ul style="list-style-type: none"> המפוח מושך זרם גבוה מהסוללה ונכנס למצב הגנה עצמית. 	<ul style="list-style-type: none"> כבו את מתג החוגה, ואז הפעילו את המפוח לאחר שנורית הסוללה נכבית. הוציאו את הסוללה וחברו את מארז הסוללה בחזרה כדי לאתחל את המפוח.

אחריות

מדיניות האחריות של EGO

אנא בקרו באתר egopowerplus.com עבור התנאים וההתניות השלמים של מדיניות האחריות של EGO.

اقرأ جميع التعليمات



اقرأ دليل التشغيل

ملاحظة: ينبغي أن تكون هذه التعليمات متاحة أيضاً بالتنسيق أحر، مثلاً على موقع إلكتروني.

⚠️ خطر زائد! الأشخاص الذين تم تركيب أجهزة طبية إلكترونية لهم، مثل منظم ضربات القلب، يجب عليهم استشارة الطبيب قبل استخدام هذا المنتج. لأن تشغيل معدات كهربائية بالقرب من منظم ضربات القلب قد ينشأ عنه خلل أو فشل في أداء منظم ضربات القلب.

⚠️ تحذير: لضمان السلامة والاعتمادية، يجب تنفيذ جميع أعمال الإصلاح واستبدال الأجزاء من قبل فني خدمة مؤهل.

رموز السلامة

الغرض من رموز السلامة هو جذب انتباهك إلى المخاطر المحتملة. رموز السلامة والشروح المصاحبة لها تستحق اهتمامك وفهمك الدقيق. تحذيرات كل رمز، بنفسها، لا تمنع وقوع أي خطر. التعليمات والتحذيرات التي تمنحك إياها لا تعد بديلاً عن تطبيق الإجراءات الملائمة لمنع وقوع الحوادث.

⚠️ تحذير: احرص على قراءة وفهم جميع تعليمات السلامة في دليل التشغيل هذا، بما في ذلك جميع رموز تنبيهات السلامة، مثل **“خطر”**، و**“تحذير”** و**“تنبيه”**، قبل استخدام هذه الآلة. عدم اتباع جميع التعليمات الواردة أدناه قد يؤدي إلى حدوث صدمة كهربائية أو نشوب حريق أو التعرض للإصابة الشخصية، أحدها أو جميعها.

منع الأضرار ورسائل المعلومات

تقوم هذه الرسائل بإطلاع المستخدم على معلومات و/أو تعليمات هامة قد تؤدي إلى وقوع أضرار على المعدات أو الممتلكات الأخرى إذا لم يتم اتباعها. كل رسالة تكون مسبقة بكلمة **“ملاحظة”**، كما هو موضح في المثال أدناه:

ملاحظة: قد تقع أضرار على المعدات و/أو الممتلكات إذا لم يتم اتباع هذه التعليمات.

⚠️ تحذير: قد يؤدي تشغيل أي آلة عاملة بالطاقة إلى دخول أي أشياء غريبة في عينيك، وهو ما قد يؤدي إلى إلحاق أضرار خطيرة بالعين. قبل بدء تشغيل الآلة العاملة بالطاقة، احرص دائماً على ارتداء واقبات العينين أو نظارات حماية العينين ذات دروع جانبية، ودرع واق لكامل الوجه عند اللزوم. نوصي بارتداء قناع السلامة واسع الرؤية لاستخدامه فوق نظارات العين أو نظارات السلامة العادية ذات الدروع الجانبية.



تعليمات السلامة

هذه الصفحة تصف وتشرح رموز السلامة التي قد تظهر على هذا المنتج. اقرأ جميع التعليمات المذكورة على الآلة وافهمها واتبعها قبل محاولة تجميع الآلة وتشغيلها.

	تنبيه سلامة	احتياطات تتعلق بسلامتك.
	ارتد أدوات حماية العينين	ارتد دائماً نظارات الحماية المزودة بواقبات على الجانبين، وينبغي ارتداء واق لكامل الوجه أثناء تشغيل هذا المنتج.
	ارتد أدوات حماية الأذنين	احرص دائماً على ارتداء أدوات حماية الأذنين عند تشغيل هذا المنتج.
	اقرأ دليل التشغيل	لحذر من خطر الإصابة، يجب على المستخدم قراءة وفهم دليل التشغيل قبل استخدام هذا المنتج.
	ابق المرافقين بعيداً عن نطاق عمل الآلة	احتفظ بجميع الأشخاص المجاورين لك على مسافة لا تقل عن 15 مترًا عن مكان العمل.
V	فولت	الجهد الكهربائي
A	أمبير	التيار
Hz	هرتز	التردد (دورات في الثانية)
W	واط	الطاقة
min	دقائق	الوقت
m³/h	متر مكعب في الساعة	كمية الهواء
km/h	كيلومتر في الساعة	سرعة الهواء
~	تيار متردد	نوع التيار
≡	تيار مستمر	النوع أو خصائص التيار
η ₀	السرعة بدون حمل	سرعة الدوران، بدون حمل
... /min	في الدقيقة	لفة في الدقيقة

يجب اتباع الاحتياطات الأساسية عند استخدام جهاز كهربائي، بما في ذلك ما يلي:

تحذيرات السلامة العامة المتعلقة بالآلة العاملة بالطاقة

⚠ تحذير: اقرأ جميع تحذيرات السلامة والتعليمات والرسوم التوضيحية والموصفات المرفقة مع هذه الآلة. عدم اتباع جميع التعليمات الواردة أدناه قد يؤدي إلى حدوث صدمة كهربائية أو شتوب حريق أو التعرض للإصابة، أحدها أو جميعها.

احتفظ بجميع التحذيرات والتعليمات للرجوع إليها في المستقبل. يشير مصطلح "أداة عاملة بالطاقة" في التحذيرات إلى الآلة العاملة بالطاقة (الموصولة بسلك تيار) أو الآلة العاملة بالبطارية (غير الموصولة بسلك تيار).

سلامة منطقة العمل

- حافظ على منطقة العمل نظيفة ومضاءة جيدًا. حيث عادة ما تتسبب المناطق المظلمة أو التي بها ركاب إلى وقوع حوادث.
- لا تقم بتشغيل الآلات العاملة بالطاقة في أجواء قابلة للانفجار، على سبيل المثال في وجود سوائل أو غازات أو غبار قابلة للاشتعال. فقد تتسبب الآلات العاملة بالطاقة في صدور شرارة، والتي قد تتسبب في اشتعال الغبار أو الأبخرة القابلة للاشتعال.
- احتفظ بالأطفال والمشاهدين بعيدًا عن موقع استعمال الآلة العاملة بالطاقة. حيث أن الإلهاءات قد تجعلك تفقد السيطرة على الآلة.

السلامة الكهربائية

- ينبغي أن يتوافق قابس الآلة العاملة بالطاقة مع مقبس التيار. لا يجب إدخال تحديلات على القابس بأي حال من الأحوال. لا تستخدم أي قوابس مهيأبة مع الآلات العاملة بالطاقة المؤرضة. ستؤدي القوابس غير المُعدلة والمقابس المتوافقة إلى الحد من خطر حدوث صدمة كهربائية.
- تجنب ملامسة الجسم لأسطح مؤرضة مثل الأنابيب والمشعاع والموافد والتلحاجات. هناك خطر متزايد لحدوث صدمة كهربائية إذا كان جسمك مؤرضًا.
- لا تقم بتعرض الآلات العاملة بالطاقة للمطر أو الأجواء الرطبة. حيث سيؤدي الماء الذي يدخل إلى الآلة العاملة بالطاقة إلى زيادة خطر حدوث صدمة كهربائية.
- لا تعبت بسلك التيار. لا تقم أبدًا باستخدام سلك التيار لحمل الآلة العاملة بالطاقة أو سحبها أو فصلها عن التيار. احتفظ بالسلك بعيدًا عن مصادر الحرارة أو الزيت أو الحواف الحادة أو الأجزاء المتحركة. تؤدي أسلاك التيار التالفة أو المتشابكة إلى زيادة خطر حدوث صدمة كهربائية.
- عند تشغيل آلة عاملة بالطاقة في مكان خارجي مفتوح، استخدم سلك تمديد ملائم للاستخدام الخارجي. استخدم سلك ملائم للاستخدام الخارجي يحد من خطر حدوث صدمة كهربائية.
- إذا كان لا بد عن تشغيل الآلة في مكان رطب، فاستخدم مصدر تيار محمي بقاطع تيار مؤرض. يؤدي استخدام قاطع التيار المؤرض إلى الحد من خطر حدوث صدمة كهربائية.

السلامة الشخصية

- ابق منتبهًا، وانتبه جيدًا لما تفعله، وكن عقلانيًا عند تشغيل آلة تعمل بالطاقة. لا تستخدم أداة آلة بالطاقة وأنت مجهد أو تحت تأثير المخدرات أو الكحوليات أو الأدوية. قد تؤدي لحظة من عدم الانتباه أثناء تشغيل الآلات العاملة بالطاقة إلى حدوث إصابات شخصية خطيرة.
 - استعن بمعدات الحماية الشخصية. وارتد دائمًا أدوات حماية العينين. سيؤدي استخدام أدوات الحماية كقناع الغبار أو أذنية السلامة المضادة للانزلاق أو القفعة الصلبة أو أدوات حماية السمع في ظروف مناسبة إلى الحماية من الإصابات الشخصية.
 - امنع بدء تشغيل الآلة غير المتعمد. احرص على أن يكون مفتاح الطاقة في وضع الإيقاف قبل توصيل الآلة بمصدر التيار أو مجموعة البطاريات، أو التقاط الآلة أو حملها. قد يؤدي حمل الآلات العاملة بالطاقة وأصبعك على مفتاح التشغيل أو شحن الآلات العاملة بالطاقة ومفتاح التشغيل في وضع التشغيل إلى وقوع حوادث.
 - أزل أي مفتاح تعديل أو مفتاح ربط قبل تشغيل الآلة العاملة بالطاقة. قد يؤدي ترك مفتاح ربط أو مفتاح عادي مركبًا على جزء دوار بالآلة العاملة بالطاقة إلى وقوع إصابات شخصية.
 - لا تقف في مكان تضطر لمد يديك بعيدًا. قف وانت ثابت ومتوازن في جميع الأوقات. وهو ما يسمح بتحكم أفضل في الآلة العاملة بالطاقة في الظروف غير المتوقعة.
 - ارتد الملابس الملائمة. لا ترتد ملابس أو مجوهرات غير ثابتة. احتفظ بشعرك وملابسك بعيدًا عن الأجزاء المتحركة. قد تعلق الملابس الفضفاضة أو المجوهرات أو الشعر الطويل في الأجزاء المتحركة.
 - إذا تم تقديم أجهزة خاصة بتوصيل أدوات استخراج وجمع الغبار، فأحرص على توصيلها واستخدامها على النحو اللازم. قد يؤدي استخدام جمع الغبار إلى الحد من المخاطر المرتبطة به.
 - لا تدع الخبرة المكتسبة من الاستخدام المتكرر للآلات يجعلك تتعامل دون الانتباه اللازم وتتجاهل مبادئ السلامة المتعلقة بالآلة. فقد يتسبب أي إجراء غير مدروس في إصابات خطيرة في جزء من الثانية.
- ### استخدام الآلة العاملة بالطاقة والعناية بها
- لا تجبر الآلة العاملة بالطاقة على أعمال تفوق قدرتها. استخدم الآلة العاملة بالطاقة الملائمة لأعمالك. ستقوم الآلة العاملة بالطاقة الملائمة بأداء أعمالك بشكل أفضل وأكثر أمانًا بالمعدل الذي أعدت له.
 - لا تستخدم الآلة العاملة بالطاقة إذا كان مفتاح التشغيل لا يمكن نقله إلى وضع التشغيل أو وضع الإيقاف. أي آلة عاملة بالطاقة لا يمكن التحكم فيها بمفتاح التشغيل تعتبر خطيرة وينبغي إصلاحها.
 - افصل القابس من مصدر التيار وأو اخلع مجموعة البطاريات -إذا كانت قابلة للتخلع- من الآلة العاملة بالطاقة قبل إجراء أي تعديلات أو تغيير ملحقات أو تخزين الآلات العاملة بالطاقة. إجراءات السلامة الوقائية هذه تحد من خطر تشغيل الآلة العاملة بالطاقة بشكل خاطئ.

حزن الآلات العاملة بالطاقة غير المستخدمة بعيداً عن متناول أيدي الأطفال ولا تسمح للأشخاص غير المعتادين على استخدام الآلات العاملة بالطاقة أو على هذه التعليمات بتشغيل الآلة. الآلات العاملة بالطاقة تكون خطيرة في أيدي الأشخاص غير المدربين.

حافظ على الآلات العاملة بالطاقة والملحقات. تحقق من عدم محاذاة الأجزاء المتحركة أو ربطها، أو وجود كسور في الأجزاء، أو أي حالة أخرى قد تؤثر على عمل الآلة. إذا كان هناك تلف، فقم بإصلاح الآلة العاملة بالطاقة قبل استخدامها. فالعديد من الحوادث يكون سببها الآلات التي لم تتم صيانتها. احتفظ بالأنودات القاطعة حادة ونظيفة. الأدوات القاطعة التي تتم صيانتها كما ينبغي للاحتفاظ بحوافها القاطعة حادة تكون أقل عرضة للانحناء وسهل التحكم فيها.

استخدم الآلة والملحقات واللحم وما شابههم وفقاً لهذه التعليمات، مع الأخذ في الاعتبار ظروف العمل والأعمال التي سيتم تنفيذها. قد يؤدي استخدام الآلة في أعمال غير تلك المخصصة لها إلى حوادث خطيرة.

احتفظ بالمقايض وأسطح الإمساك جافة ونظيفة وخالية من الزيوت والشحوم. لأن المقايض وأسطح الإمساك المنزلقة لا تمنحك القدرة على التعامل والتحكم الأمين في الآلة في المواقع غير المتوقعة.

استخدام البطارية والعناية بها

لا تُعد شحن الآلة إلا باستخدام الشاحن المحدد بواسطة الشركة الصانعة. فالشاحن الملائم لنوع من مجموعات البطارية قد يتسبب في نشوب حريق إذا تم استخدامه مع مجموعة بطارية أخرى.

استخدم الآلات العاملة بالطاقة مع مجموعات البطاريات المخصصة لها فقط. لأن استخدام أي مجموعات بطارية أخرى قد يؤدي إلى التعرض لإصابات أو نشوب حريق.

عند عدم استخدام مجموعة البطارية، احتفظ بها بعيداً عن الأغراض المعدنية الأخرى مثل مشابك الأوراق أو العملات المعدنية والمفاتيح أو المسامير أو البراغي أو الأغراض المعدنية الصغيرة الأخرى التي قد تتسبب في عمل دائرة قصر (قفل للدائرة) بين أقطاب البطارية. عمل دائرة قصر (قفل الدائرة) بين أطراف البطارية قد يتسبب في حروق أو نشوب حريق.

في حالات التعامل السيء، قد يحدث ارتشاح للسوائل من البطارية؛ لا تلامسها. إذا حدثت ملامسة بشكل عرضي، فاغسلها بالماء. إذا لامس السائل العينين، فاطلب المساعدة الطبية على الفور. السائل المرشح من البطارية قد يتسبب في حدوث احتياج في الجلد أو حروق.

لا تستخدم مجموعة البطارية أو الآلة إذا كانا تالفين أو تم إدخال تعديلات عليهما. لأن البطاريات التالفة أو التي تم تعديلها قد تعمل بشكل غير متوقع، وهو ما قد يؤدي لنشوب حريق أو حدوث انفجار أو خطر التعرض لإصابة.

لا تقم بتعرض مجموعة البطارية أو الآلة للحريق أو درجات الحرارة الزائدة. التعرض لدرجات الحرارة الأعلى من 130 درجة مئوية قد يؤدي لحدوث انفجار.

اتبع تعليمات الشحن ولا تشحن مجموعة البطارية أو الآلة في نطاق درجة حرارة خارج النطاق المحدد في التعليمات. قد يؤدي الشحن غير المضبوط أو في درجات حرارة خارج النطاق المسموح به إلى تلف البطارية وخطر نشوب حريق.

الصيانة

ينبغي إجراء الصيانة على الآلة بواسطة فني إصلاح متخصص باستخدام قطع غير أصلية مطابقة فقط. فهذا سيضمن المحافظة على سلامة الآلة.

لا تقم بصيانة مجموعات البطارية التالفة بأي حال من الأحوال. بل ينبغي أن تكون صيانة مجموعات البطارية من خلال الشركة الصانعة أو مقدمي الخدمة المعتمدين فقط.

اقرأ جميع التعليمات قبل استعمال هذا المنتج!

التدريب

لا تسمح أبداً باستخدام الآلة بواسطة الأطفال، أو الأشخاص المصابين بإعاقة بديهية أو حسية أو عقلية، أو من ليست لديهم خبرة ومعرفة، أو الأشخاص غير المعتادين على تلك التعليمات.

المشغل أو المستخدم هو المسؤول عن وقوع أي حوادث أو مخاطر يتعرض لها أشخاص آخرون أو تتعرض لها ممتلكاتهم.

التحضير

لا تقم بتعرض الآلة العاملة بالطاقة للمطر أو الأجواء الرطبة. جفف الآلة العاملة بالطاقة بعد الانتهاء من العمل.

قبل الاستخدام، راجع البطاريات أو مجموعات البطاريات بحثاً عن أي علامات للتلف. لا تستخدم الجهاز إذا كانت البطاريات أو مجموعة البطارية تالفة.

التشغيل

لا تقم بتعرض الآلة العاملة بالطاقة للمطر أو الأجواء الرطبة. جفف الآلة العاملة بالطاقة بعد الانتهاء من العمل.

افصل البطاريات أو مجموعات البطاريات:

1. في أي وقت تترك فيه الآلة؛

2. قبل تنظيف أي انسداد؛

3. قبل فحص الجهاز أو تنظيفه أو العمل داخل أي جزء من أجزائه؛

4. إذا بدأ الجهاز في الاهتزاز بشكل غير طبيعي.

تحقق دائماً من موضع أقدامك على المنحدرات.

يجب عليك المشي، ولا تجري أبداً.

أحرص على خلو فتحات التهوية من أي بقايا.

من الموصى به تشغيل الآلة في أوقات مناسبة فقط – فلا تقم بتشغيلها في الصباح الباكر أو متأخراً في الليل، كي لا تزجج الآخرين.

من الموصى به ترطيب الأسطح قليلاً في الأجواء المترربة أو استخدام ملحق رشاش الترطيب.

⚠ تحذير: خطر وجود أجزاء دوارة!

- لا تقم أبداً بتشغيل الوحدة دون تركيب المعدات المناسبة. تأكد دائماً من تركيب أنبوب المنفاخ.
 - لا تقم أبداً باستخدام المنفاخ بالقرب من النيران أو الرماد الساخن. حيث أن التواجد بالقرب من النيران أو الرماد قد يتسبب انتشار النيران والتعرض لإصابات خطيرة و/أو تلف الممتلكات.
 - لا تقم أبداً باستخدام المنفاخ في نثر المواد الكيميائية أو الأسمدة أو أي مواد سامة أخرى. لأن نثر تلك المواد قد يؤدي لوقوع إصابات خطيرة على المشغل أو المرافقين.
 - احفظ هذه التعليمات. راجعهم باستمرار واستخدمهم لتوجيه الآخرين عند استخدام هذه الآلة. إذا قمت بإقراض هذه الآلة لشخص آخر، أرفق معها هذه التعليمات لمنع سوء استخدام المنتج والإصابات المحتملة.
- احفظ هذه التعليمات!**

المواصفات

56 فولت ==	الجهد الكهربائي
1020 م ³ /ساعة	الحد الأقصى لكمية الهواء
232 كم/ساعة	الحد الأقصى لسرعة الهواء
19 نيوتن	الحد الأقصى لقوة المنفاخ
15- 40 درجة مئوية	درجة حرارة التشغيل الموصى بها
20- 70 درجة مئوية	درجة حرارة التخزين الموصى بها
15 دقيقة (وضع التعزيز)	متوسط مدة التشغيل (مع بطارية EGO بسعة 5.0 أمبير في الساعة)
22 دقيقة (السرعة العالية)	120 دقيقة (السرعة المنخفضة)
5.7 كجم	وزن المنفاخ (بدون مجموعة البطارية، مع الأنبوب)
94.6 ديسيبل (A) 0.8 ك (A)	س _و توى قوة الصوت المُقَدَّر L _{WA}
82 ديسيبل (A) 2.5 ك (A)	مُسْتَوَى ضغط الصوت عند أذن مُشْغَل الآلة L _{PA}
95 ديسيبل (A)	مُسْتَوَى قوة الصوت المضمون L _{WA} (وفقاً للمعيار 2000/14/EC)
0.522 م/ثانية ² 1.5 ك/ثانية ²	الاهتزاز a _n

- ## هام
- اقرأ التعليمات بعناية قبل الاستخدام. احتفظ بالمعلومات للرجوع إليها كدليل مرجعي في المستقبل.
- لا تسمح باستخدام المنفاخ كلعبة. المراقبة للصيقة واجبة عند الاستخدام بواسطة الأطفال، أو وجوده بالقرب منهم.
 - إن لم يعمل المنفاخ كما ينبغي، أو سقط على الأرض، أو تعرض للتلوث، أو سقط في الماء، فقم بإعادته إلى أحد مراكز الصيانة.
 - لا تضع أي شيء في أي فتحات. لا تستخدم الجهاز وهناك أي فتحة مسدودة؛ ولذلك حافظ على خلو الفتحات من الاتربة والنسالة والشعر وأي شيء قد يقلل من تدفق الهواء.
 - انتبه جيداً عند التنظيف على السلالم.
 - لا تترك المنفاخ دون مراقبة وقابس البطارية موصل. اخلع البطارية عند عدم استخدام المنفاخ وقبل صيانتها.
 - لا تتعامل مع الشاحن، بما في ذلك قابس الشاحن أو أطراف الشاحن، ويدك مبتلتان.
 - لا تشحن مجموعة البطارية في مكان خارجي مفتوح.
- تحذير:**
- تجنب إزالة مجموعة البطارية من الجهاز قبل التخلص منه.
 - يجب التخلص من البطارية بشكل آمن.
 - لا تحاول تنظيف الانسدادات في الوحدة دون خلع البطارية أولاً.
 - احتفظ بالمنفاخ ومقبضه جافاً نظيفاً خالياً من الزيوت والشحوم. استخدم دائماً قطعة قماش نظيفة عند التنظيف. لا تستخدم أبداً سوائل الفرامال أو البنزين أو المنتجات القائمة على البترول أو أي محاليل قوية أخرى لتنظيف المنفاخ. يساعد الامتنال لتلك التعليمات في تقليل خطر فقد التحكم وإلحاق أضرار بالهيكل البلاستيكي.
 - يمكن للبطاريات أن تنفجر في وجود مصدر إشعاع، مثل الشعلة الدائمة. للحد من خطر التعرض للإصابات الشخصية الخطيرة، لا تستخدم أي منتجات لا سلكية في وجود السنة لهب مباشرة. قد ينتج عن البطارية المنفجرة شظايا أو مواد كيميائية متطايرة. وإذا تعرضت لتلك الأشياء، اشطف المناطق المصابة بالماء على الفور.

- القيمة الكلية للاهتزاز الموضحة تم قياسها وفقاً لطريقة اختبار قياسية وقد تستخدم لمقارنة أداة بأخرى؛
 - كما يمكن استخدام القيمة الكلية للاهتزاز الموضحة في التقييم التمهيدي للتعرض.
- ملاحظة:** قد تختلف انبعاثات الاهتزاز أثناء الاستخدام الفعلي للآلة العاملة بالطاقة عن القيمة المعلنة التي يتم استخدام الآلة فيها؛ ولحماية مشغل الآلة، ينبغي على المستخدم ارتداء قفازات وواقبات للأذن في ظروف الاستخدام الفعلية.

قائمة المحتويات

الكمية	اسم الجزء
1	المنفاخ
3	أنبوب المنفاخ
1	دليل التشغيل

الوصف

تعرف على المنفاخ (الشكل A و B)

1. المقبض
2. زر تحرير البطارية
3. لسان
4. الوصلات الكهربائية
5. آلية الإخراج
6. مدخل الهواء
7. الأنبوب الأمامي (الأنبوب المسطح المنحني)
8. مخرج الهواء
9. الأنبوب الأمامي (الأنبوب الأسطواني)
10. الأنبوب الأوسط
11. مقبض التحكم
12. حاملة دعم قابلة للضغط
13. بكرة تخزين أنبوب المنفاخ
14. زر تعزيز السرعة
15. بكرة السرعة/التشغيل المتواصل
16. زناد سرعة الهواء
17. صامولة منحنة
18. تجويف تثبيت الأنبوب

⚠ تحذير: كي تتمكن من استخدام هذا المنتج بشكل آمن، لا بد أن تفهم المعلومات الموجودة على الآلة وفي دليل التعليمات هذا، وكذا معرفة المهمة التي تنوي القيام بها. قبل استخدام هذا المنتج، اعدت على التعامل مع جميع خصائص التشغيل وقواعد السلامة.

التجميع

- ⚠ تحذير:** إذا حدث تلف أو فقد في أي أجزاء، لا تقم بتشغيل هذا المنتج إلا بعد استبدال الأجزاء. استخدام هذا المنتج مع وجود أجزاء تالفة أو مفقود قد يؤدي إلى وقوع إصابات شخصية خطيرة.
- ⚠ تحذير:** لا تحاول إجراء أي تعديلات على هذا المنتج أو ابتداء ملحقات غير موصى بها للاستخدام مع هذا المنفاخ. أي تغيير أو تعديل من هذا النوع يعتبر سوء استخدام، وقد يؤدي إلى وضع خطير قد يتسبب في وقوع إصابات شخصية خطيرة محتملة.
- ⚠ تحذير:** لمنع بدء التشغيل غير المقصود، الذي قد يؤدي إلى وقوع إصابات شخصية خطيرة، احرص دائماً على خلع مجموعة البطارية من الآلة عند تجميع الأجزاء.

تجميع أنابيب المنفاخ

1. هناك ثلاثة أنابيب خاصة بالمنفاخ: أنبوبان أماميان (أنبوب أسطواني وأنبوب مسطح منحني) وأنبوب أوسط (الشكل C).
 2. قم أولاً بتركيب الأنبوب الأسطواني في الأنبوب الأوسط. قم بمحاذاة كلا التجويفين الموجودين في الأنبوب الأسطواني مع البكرة الموجودة بالأنبوب الأوسط (الشكل D).
 3. ادفع الأنبوب الأوسط للأمام إلى أن يتم تعشيق البكرة في أحد التجويفين. ثم أدر الأنبوب الأوسط في اتجاه السهم إلى أن تنزلق البكرة في وضع القفل (الشكل E).
- الشكل C و D انظر أدناه للتعرف على شرح الأجزاء:

بكرة	D-1	الأنبوب الأسطواني	C-1
تجاويف لأوضاع القفل المختلفة <th>D-2</th> <th>الأنبوب المسطح المنحني</th> <th>C-2</th>	D-2	الأنبوب المسطح المنحني	C-2
		الأنبوب الأوسط	C-3

- ملاحظة:** قبل تثبيت الأنبوب الأوسط في مكانه أثناء التدوير، ستلاحظ وجود سدادة مندمجة ستتسبب في وجود بعض المقاومة. واصل تدوير الأنبوب متخطياً السدادة إلى أن ينزلق بالكامل في وضع القفل.
4. يمكنك تقصير أو إطالة طول الأنبوب وفقاً لراحتك عن طريق تثبيت الأنبوب الأوسط في أوضاع القفل المختلفة (الشكل F).
- الشكل F انظر أدناه للتعرف على شرح الأجزاء:

وضع القفل الأول	F-1
وضع القفل الثاني	F-2

5. قم بتركيب جميعة الأنبوب في هيكل المنفاخ بنفس الطريقة (الشكل G).

- اتبع نفس التسلسل عند تجميع الأنبوب المسطح المنحني مع المنفاخ.
6. لخلع تجميع الأنبوب من هيكل المنفاخ أو لفصل الأنبوبين، قم أولاً بإدارة الأنبوب في اتجاه الغاء القفل لفك تعشيق اللسان، ثم اسحب الأنبوب للخارج بشكل مستقيم.

التشغيل

- ⚠ تحذير:** لا تسمح لاعتيادك على تشغيل هذا المنتج أن يجعلك مستهتراً عند التعامل معه. ولا تنس أن الاستهتار لجزء من الثانية كافٍ للتسبب في حدوث إصابات خطيرة.
- ⚠ تحذير:** لا تستخدم أي مرفقات أو ملحقات سوى تلك الموصى بها من قبل الشركة الصانعة لهذا المنتج. لأن استخدام مرفقات أو ملحقات غير موصى بها قد يؤدي إلى وقوع إصابات شخصية خطيرة.
- ⚠ تحذير:** احرص دائماً على خلع مجموعة البطارية من المنتج عند تجميع الأجزاء، أو عمل التعديلات، أو التنظيف، أو عند عدم الاستخدام. خلع مجموعة البطارية سيمنع بدء التشغيل غير المقصود، وهو ما قد يؤدي إلى وقوع إصابات شخصية خطيرة.

قبل كل استخدام، افحص المنتج بأكمله بحثاً عن الأجزاء التالفة أو المفقودة أو المتفككة، مثل المسامير الملوية والصواميل والمسامير والأغطية وما شابه. اربط جميع عناصر التثبيت والأغطية بإحكام، ولا تقم بتشغيل هذا المنتج إلا بعد استبدال جميع الأجزاء المفقودة أو التالفة.

تحذير: إذا واجهت أي أزمة طارئة، افصل إيزيم الصدر على الفور لتخلع المنفاخ عنك.

الاستخدام

يمكنك استخدام هذا المنتج للأغراض الموضحة أدناه:

- تنظيف الأسطح الصلبة، مثل الطرقات الخاصة والمشى.
- المحافظة على خلو الأرضيات والطرقات الخاصة من أوراق الشجر وأوراق شجر الصنوبر.

ملاحظة: يجب استخدام الآلة للغرض المحدد لها فقط. أي استخدام آخر يعد حالة من حالات سوء الاستخدام.

تركيب/خلع مجموعة البطارية

اشحن البطارية قبل الاستخدام لأول مرة.

لا تستخدم الآلة إلا مع مجموعات البطارية والشواحن المدرجة في الشكل A.

ملاحظة: لتحقيق أفضل أداء، نوصي باستخدام بطارية EGO من الطراز BA2800 بجهد 56 فولت (سعة 5.0 أمبير في الساعة) أو أي بطارية من بطاريات EGO بجهد 56 فولت ذات سعة عالية.

• للتركيب (الشكل H)

قم بمحاذاة دعائم البطارية مع فتحات التركيب، واضغط على مجموعة البطارية لأسفل إلى أن تسمع صوت «نقرة».

• للخلع (الشكل I)

اضغط لأسفل على زر تحرير البطارية، واسحب مجموعة البطارية للخارج.

تحذير: احرص دائماً على الانتباه لموقع قدميك أو الأقدام أو الحيوانات الأليفة عند الضغط على زر تحرير البطارية. فقد تقع إصابات خطيرة إذا سقطت مجموعة البطارية. لا تقم أبداً بخلع مجموعة البطارية وأنت في مكان شاهق الارتفاع.

ضبط وضع المنفاخ المحمول على الظهر

تحذير: احرص على ارتداء ملابس ملائمة للحد من خطر التعرض لإصابات أثناء تشغيل هذه الآلة. لا ترتد ملابس أو مجوهرات غير ثابتة. ارتد أدوات حماية العينين والأذنين/السمع. احرص على ارتداء نظال طويل قوي، وحذاء ذي رقيقة، وقفازات. لا ترتد بنائيل قصيرة أو صنادل أو أن تكون حافي القدمين.

ضبط حمالة الدعم

- ضع ذراعك عبر أحزمة الحمل على الظهر لتدعم المنفاخ على ظهرك.
- اضبط كلا حزامي الكتف بشكل مؤقت على أوضاع الحمل المريحة (الشكل J)، مع التأكد من ارتياح كوعك.
- اشبك إيزيم الصدر واضبط طولها عند اللزوم (الشكل K).

4. اشبك إيزيم الخصر واضبط طولها بحيث تكون المجموعة المحمولة على الظهر مدعومة جيداً بأوراك (الشكل L و M).

ملاحظة: لا ينبغي وضع المجموعة المحمولة على الظهر في وضع مرتفع على ظهرك؛ بل يجب أن تكون أقرب إلى أوراكك عن أكتافك.

5. أعد ضبط أحزمة الكتف لمزيد من التأمين والراحة. تأكد من ثبات المجموعة المحمولة على الظهر بشكل آمن على ظهرك، بحيث يكون الوزن مدعوماً بحزام الخصر، وبدون حركة زائدة عند تحريك (الشكل N).

6. أدخل أي طول زائد موجود في الحزام حول الخصر في الفتحات المطاطية على كلا الجانبين (الشكل O).

7. لخلع الآلة عن ظهرك، ما عليك سوى الضغط على إيزيمي الخصر والصدر لتحريرها وإنزال الآلة (الشكل P).

لضبط مقبض التحكم

1. فك الصامولة المنجحة لضبط المقبض للأمام أو للخلف بحسب الحاجة (الشكل Q و R)، ثم اربط الصامولة المنجحة لتأمين موضع المقبض.

2. يمكنك أيضاً تدوير المقبض بحسب الحاجة لمزيد من الراحة (الشكل S).

3. لزيادة المساحة التي تقوم بتنظيفها، حرك الأنبوب جهة اليسار أو اليمين (الشكل T).

لبده تشغيل/إيقاف المنفاخ (الشكل U)

زداد سرعة الهواء فقط

- اضغط على زناد سرعة الهواء لتشغيل المنفاخ.
- يتم التحكم في سرعة هواء المنفاخ باستخدام زناد السرعة المتغيرة. كلما زاد الضغط على الزناد، ارتفعت سرعة النفخ؛ وكلما قلّ الضغط على الزناد، انخفضت سرعة النفخ. اضبط السرعة بحيث تلائم المهمة التي تقوم بها.
- اترك زناد سرعة الهواء لإيقاف المنفاخ.

بكرة السرعة/التشغيل المتواصل

يمكن تشغيل المنفاخ وتشغيله بشكل متواصل على أي سرعة باستخدام بكرة السرعة/التشغيل المتواصل.

- أدر بكرة السرعة/التشغيل المتواصل في اتجاه عقارب الساعة لتبدأ تشغيل المنفاخ. ستزيد سرعة الهواء كلما أدت البكرة في اتجاه عقارب الساعة.
- لخفض سرعة الهواء، أدر بكرة السرعة/التشغيل المتواصل عكس اتجاه عقارب الساعة.
- واصل إدارة بكرة السرعة/التشغيل المتواصل عكس اتجاه عقارب الساعة وصولاً إلى وضع الإيقاف لإيقاف المنفاخ.

ملاحظة: إذا لم يتم إرجاع بكرة السرعة/التشغيل المتواصل إلى وضع الإيقاف قبل تشغيل المنفاخ، فلن يبدأ المنفاخ في العمل من خلال بكرة السرعة/التشغيل المتواصل عند تركيب بطارية مشحونة. هذه خاصية حماية للمساعدة في منع التشغيل غير المقصود. الضغط على زناد سرعة الهواء قد يؤدي إلى تعطيل الحماية.

اضغط على زر تعزيز السرعة أثناء العمل لتزيد من سرعة الهواء بشكل مؤقت إلى المستوى الأقصى لها. سيعود المنفاخ إلى العمل بالسرعة السابقة عند ترك زر تعزيز السرعة.

الشكل U انظر أدناه للتعرف على شرح الأجزاء:

U-1	بكرة السرعة/التشغيل المتواصل	U-3	زناد سرعة الهواء
U-2	زر تعزيز السرعة		

الشكل V انظر أدناه للتعرف على شرح الأجزاء:

V-1	بكرة تخزين أنبوب المنفاخ
V-2	تجويف تثبيت الأنبوب

حماية البيئة



لا تتخلص من المعدات الكهربائية وشاحن البطارية والبطاريات العادية/البطاريات القابلة لإعادة الشحن في النفايات المنزلية!

وفقاً للقانون الأوروبي 2012/19/EU ، فإن المعدات الكهربائية والإلكترونية التي لم تعد صالحة للاستخدام، ووفقاً للقانون الأوروبي 2006/66/EC ، فإن مجموعات البطارية/البطاريات المعطوبة أو المستهلكة، يجب جمعها بشكل منفصل والتخلص منها بطريقة صديقة للبيئة.

إذا تم التخلص من الأجهزة الكهربائية في أكوام القمامة أو مقلب النفايات، قد تتسرب مواد خطيرة في المياه الجوفية وتصل إلى السلسلة الغذائية، وهو ما يضر بالصحة والبيئة.

نصائح خاصة باستخدام المنفاخ

- لمنع تآثر العوالق، قم بالنفخ حول الحواف الخارجية لكومة العوالق. لا تقم بتوجيه الهواء مباشرة نحو منتصف كومة العوالق.
- لخفض مستويات الصوت، عليك تقليل عدد أجزاء المعدات المستخدمة في كل مرة.
- استخدم الجرافات والمكائس لتفكيك العوالق قبل نفخها. في الظروف المتربة، بلل الأسطح قليلاً عند توافر الماء.
- انتبه للأطفال أو الحيوانات الأليفة أو النوافذ المفتوحة أو السيارات المغسولة حديثاً، واحرص على نفخ العوالق بشكل آمن.
- بعد استخدام المنفاخ والمعدات الأخرى، قم بالتنظيف! تخلص من العوالق كما ينبغي.
- من غير الموصى به استخدام المنفاخ على سرعة عالية لفترة طويلة من الوقت، لأن الاهتزازات العالية ومستوى الضوضاء المرتفع قد يضررون بصحتك.

الصيانة

تحذير: استخدم فقط قطع غيار أصلية عند إجراء أعمال الصيانة. لأن استخدام أي أجزاء أخرى قد ينشأ عنه خطر أو يتسبب في تعرض المنتج للتلف. لضمان السلامة والاعتمادية، يجب تنفيذ جميع أعمال الإصلاح من قبل فني خدمة مؤهل.

تحذير: لتجنب التعرض لإصابات خطيرة، احرص دائماً على خلع مجموعة البطارية من المنتج عند تنظيفه أو إجراء أي أعمال صيانة عليه.

الصيانة العامة

تجنب استخدام المنظفات عند تنظيف الأجزاء البلاستيكية. غالبية المكونات البلاستيكية تكون سريعة التآثر بالأنواع المختلفة للمنظفات الموجودة بالسوق، وقد تتلف نتيجة استخدامها عليها. استخدم قطعة قماش نظيفة لإزالة الأوساخ والأتربة والزيت والشحم وما شابههم.

تحذير: لا تسمح في أي وقت من الأوقات بملامسة سوائل الفرامل أو المواد البترولية أو المنتجات القائمة على البترول أو الزيت المتغلغل أو ما شابههم للأجزاء البلاستيكية من المنشار. لأن المواد الكيميائية قد تتسبب في تلف الأجزاء البلاستيكية أو ضعفها أو تدميرها، وهو ما قد يؤدي إلى وقوع إصابات خطيرة.

التخزين

- اخلع مجموعة البطارية من المنفاخ.
- نظف فتحات دخول الهواء الخاصة بالمنفاخ من جميع المواد الغريبة.
- قم بمحاذاة بكرة تخزين أنبوب المنفاخ مع تجويف تثبيت الأنبوب، واثنيك أنبوب المنفاخ في هيكل حجييرة البطارية (الشكل V و W).
- يجب تخزين المنتج في مكان مغلق لا يمكن الوصول إليه من قبل الأطفال. احتفظ بالمنتج بعيداً عن المواد المسببة للتآكل مثل كيماويات الحديقة وملح إذابة الجليد.

استكشاف الأخطاء وإصلاحها

الحل	السبب	لمشكلة
<ul style="list-style-type: none"> قم بتركيب مجموعة البطارية في المنفاخ. اخلع البطارية، وافحص التوصيلات، ثم أعد تركيب مجموعة البطارية. اشحن مجموعة البطارية. اترك مجموعة البطارية والمنفاخ يبردان إلى أن تصل درجة حرارتها إلى أقل من 67 درجة مئوية. اضغط على زناد سرعة الهواء لتعطيل الحماية وابدأ تشغيل المنفاخ، أو أدر بكرة السرعة/التشغيل المتواصل إلى وضع الإيقاف قبل تشغيل المنفاخ. 	<ul style="list-style-type: none"> مجموعة البطارية غير مركبة في المنفاخ. لا يوجد اتصال كهربائي بين المنفاخ والبطارية. نقد شحن مجموعة البطارية. مجموعة البطارية أو المنفاخ ساخنان للغاية. لم يتم إرجاع بكرة السرعة/التشغيل المتواصل إلى وضع الإيقاف قبل تشغيل المنفاخ. 	المنفاخ لا يعمل.
<ul style="list-style-type: none"> تواصل مع مركز صيانة شركة EGO لإصلاح العيب. اخلع مجموعة البطارية، ونظفها من العوالق. 	<ul style="list-style-type: none"> مروحة المحرك متهالكة بشكل زائد. مدخل الهواء مسدود بالعوالق. 	سرعة الهواء تقل بشكل ملحوظ.
<ul style="list-style-type: none"> أدر بكرة التشغيل إلى وضع الإيقاف، ثم أعد تشغيل المنفاخ بعد انطفاء لمبة البطارية. اخلع البطارية، وقم بتوصيلها مرة أخرى لإعادة تشغيل المنفاخ. 	<ul style="list-style-type: none"> المنفاخ يستهلك قدرًا مرتفعًا من تيار البطارية ويدخل في وضع الحماية الذاتية. 	المنفاخ يتوقف على العمل عند تفعيل وضع تعزيز السرعة.

الضمان

سياسة ضمان EGO

تفضل بزيارة الموقع الإلكتروني egopowerplus.com للتعرف على الشروط والأحكام الكاملة الخاصة بسياسة ضمان EGO.

