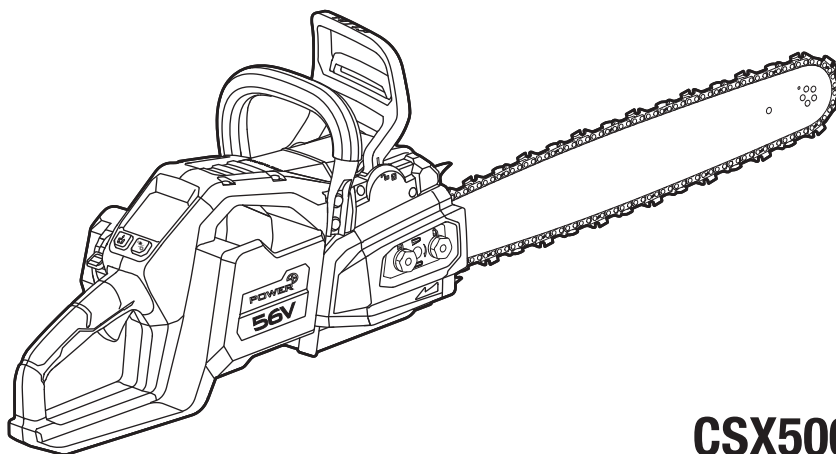


EGO™

PRO X

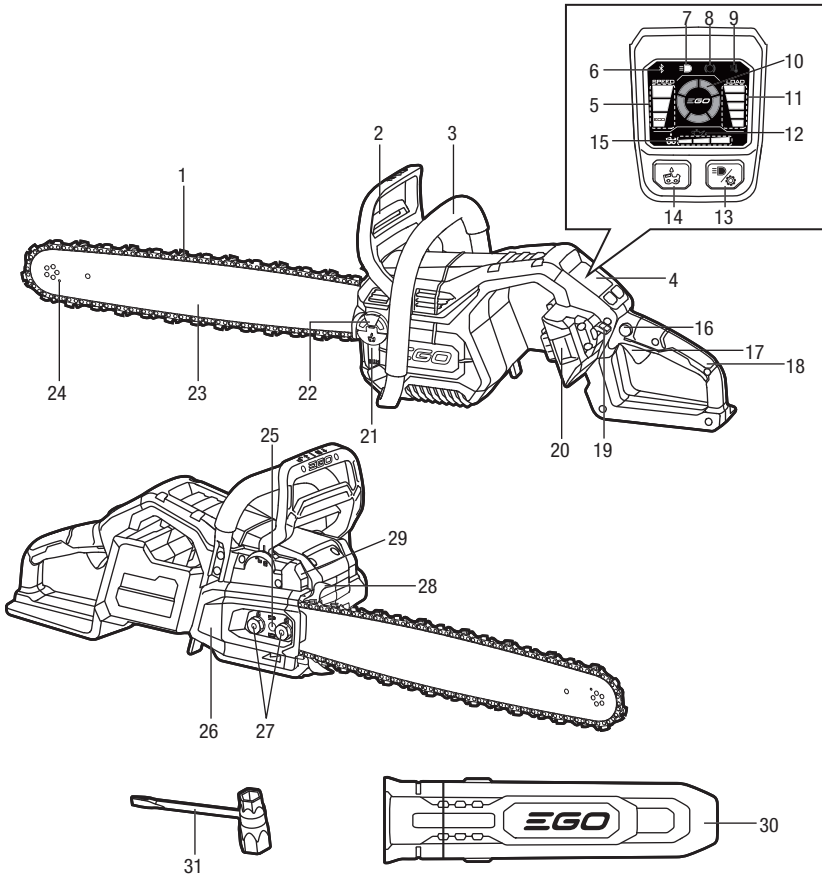


CSX5000

56 VOLT LITHIUM-ION CORDLESS CHAIN SAW

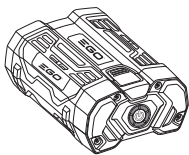
EN	56 volt lithium-ion cordless chain saw	7	RO	Ferăstrău fără fir cu lanț și cu acumulator litiu ion 56v	181
DE	56 volt lithium-ion kabellose Kettensäge	17	SL	56-voltna litij-ionska brezžična verižna žaga	193
FR	56-volt lithium-ionen tronçonneuse sans fil	29	LT	Belaidis grandininis pjūklas su 56 v ličio jonų akumuliatoriumi	204
ES	Motosierra inalámbrica de ion de litio de 56 v	41	LV	56 v litija-jonu bezvadu ķēdes motorzāģis	215
PT	Moto-serra sem fios de 56 volts de ião e lítio	53	GR	Ασυρματο αλυστοπριονο 56v λιθιου - ιοντων	225
IT	Motosega senza fili a batteria li-ion 56v	64	TR	56V lityum-iyon kablosuz elektrikli testere	238
NL	56v lithium-ion accukettingzaag	75	ET	56v-litiuioonakuga akutoitel mootorsaag	248
DK	akku motorsav med 56v litium-ion-batteri	87	UK	56-вольтна літій-іонна акумуляторна ланцюгова пила	258
SE	56v litium-jon sladdlös kedjesåg	97	BG	56v литиево-ионен безкабелен верижен трион	270
FI	56 voltin litiumioniakulla toimiva moottorisaha	107	HR	Baterijska lančana pila s litij-ionskom baterijom od 56 v	282
NO	56v lithium-ion motorsag uten ledning	117	KA	56 ვოლტაიანი ლითიუმ-იონის აკუმულატორიანი უსადენო ვეჯჭვური ხეჩი	292
RU	Беспроводная цепная пила на литий-ионной батарее (56 в)	127	SR	Bežična motorna testera sa litijum-jonskom baterijom od 56 volti	307
PL	Pilarka łańcuchowa bezprzewodowa na litowo-jonowy akumulator 56v	138	BS	Akumulatorska motorna žaga s litij-ionskom baterijom od 56 V	317
CZ	56v lithium-iontová akumulátorová řetězová pila	150	HE	מסור חשמלי אלחוטי עם סוללת ליתיום-יון 56 וולט	347
SK	56 voltová lítium-iónová bezdrôtová r eťazová pila	160	AR	منشار سلسلي لاسلكي ببطارية ليثيوم-أيون 56 فولت	337
HU	56 v-os lítium-ion vezeték nélküli lánccűrész	170			

A1

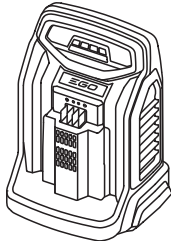


A2

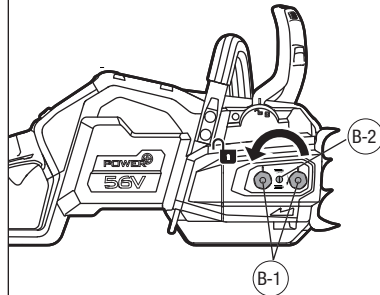
BA1400, BA1400T,
BA2240T, BA2242T,
BA2800, BA2800T,
BA3360T, BA4200,
BA4200T, BA5600T,
BA6720T

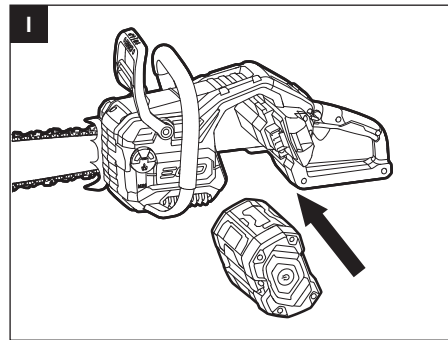
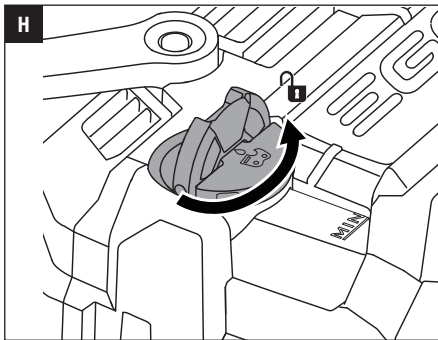
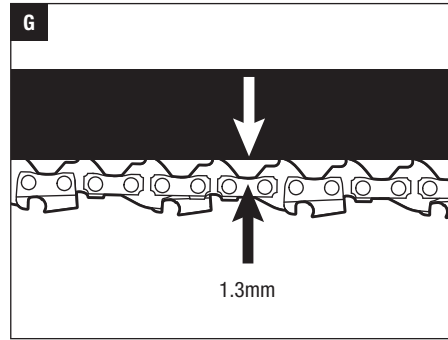
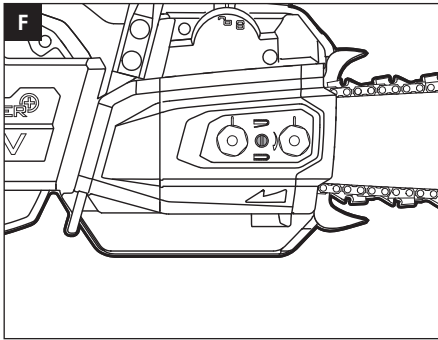
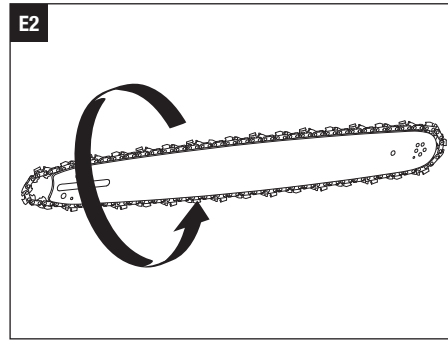
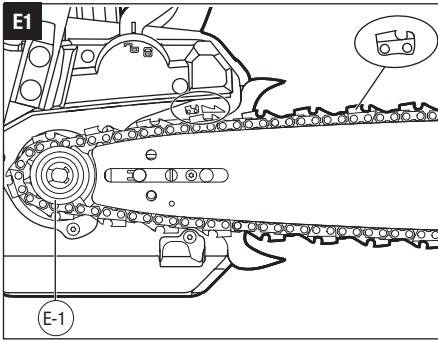
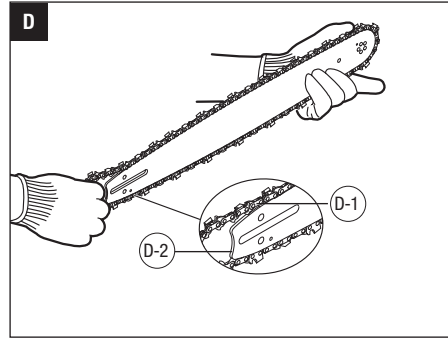
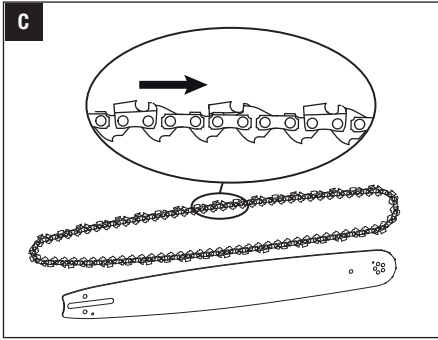


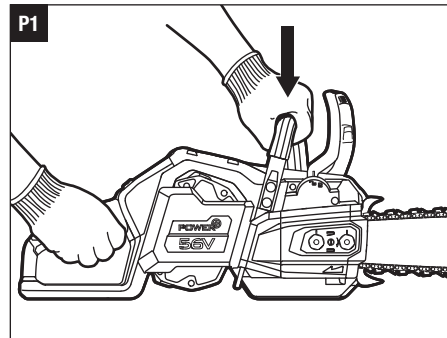
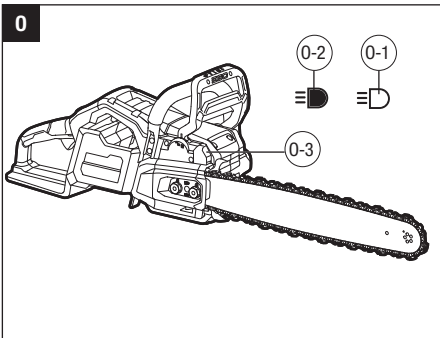
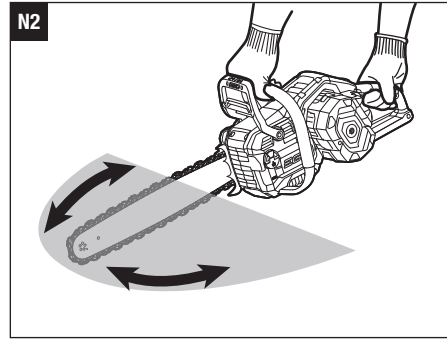
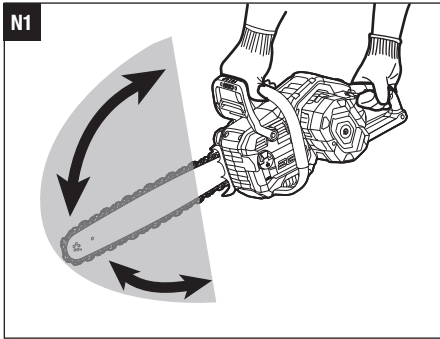
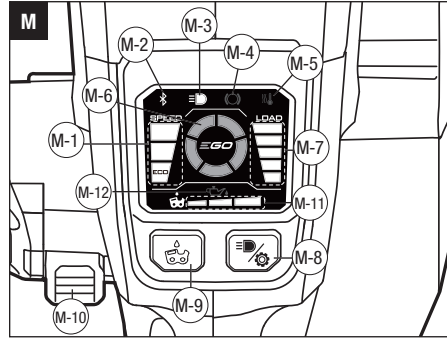
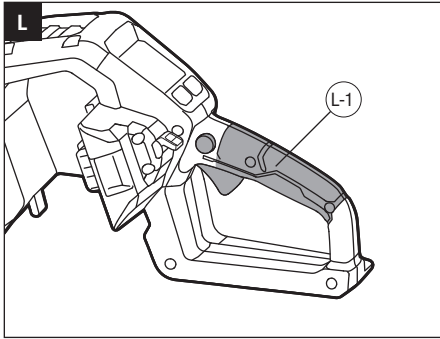
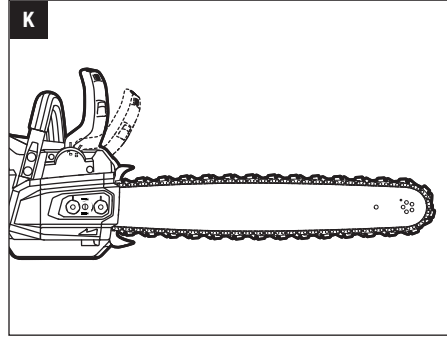
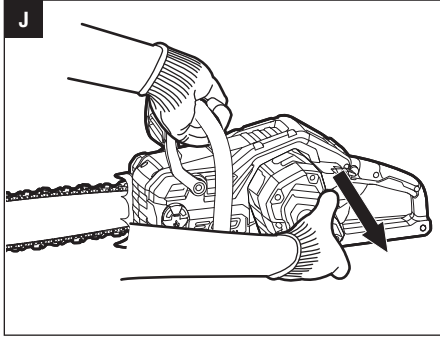
CH5500E, CH2100E
CH3200E, CH7000E
CH7000E-T

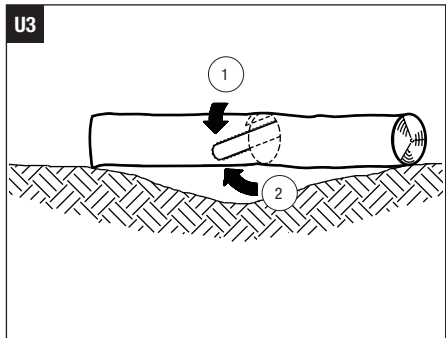
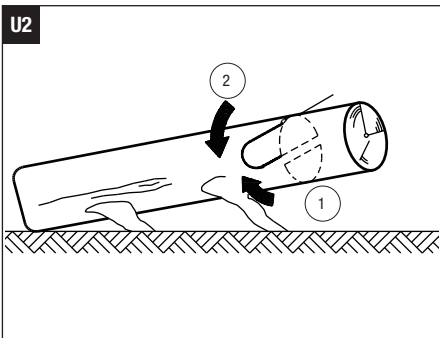
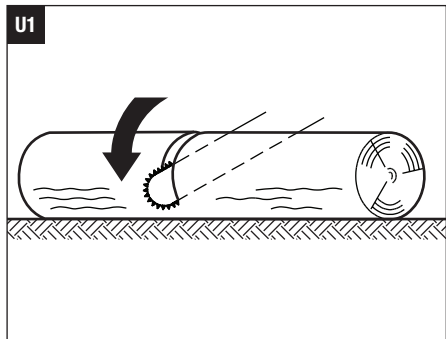
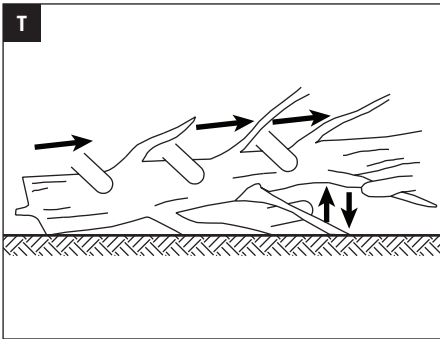
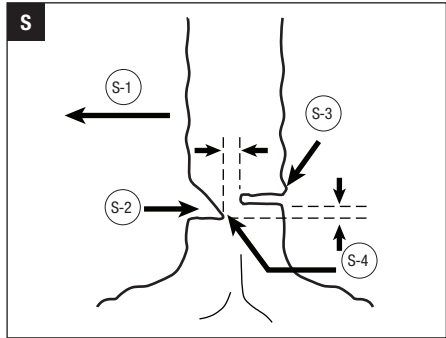
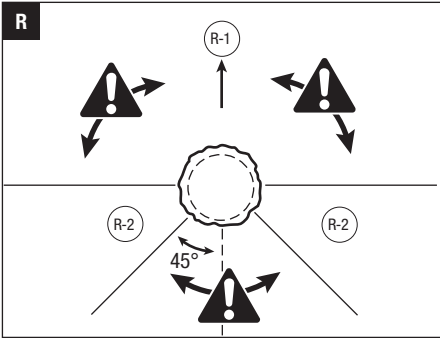
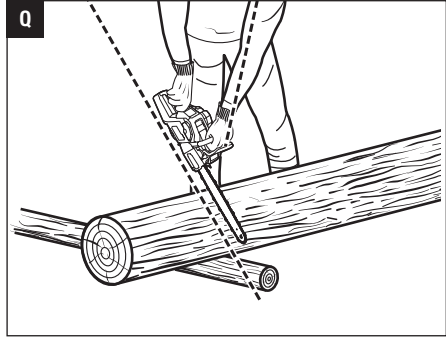
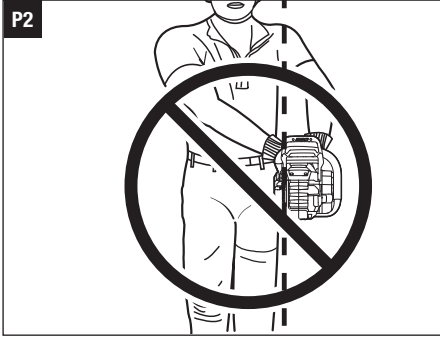


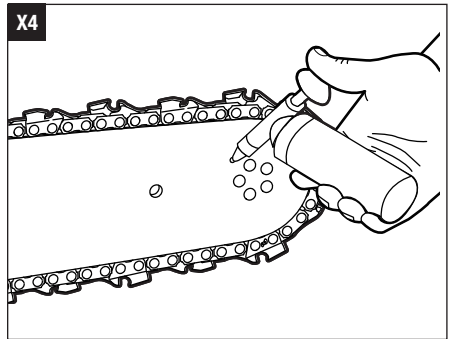
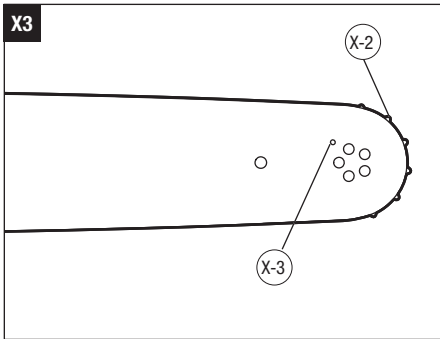
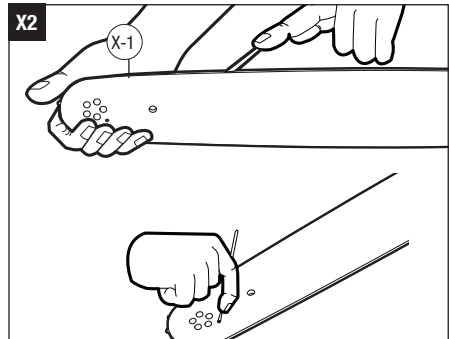
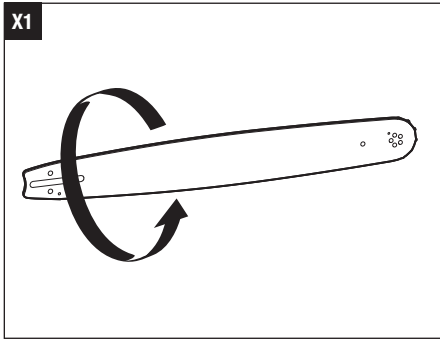
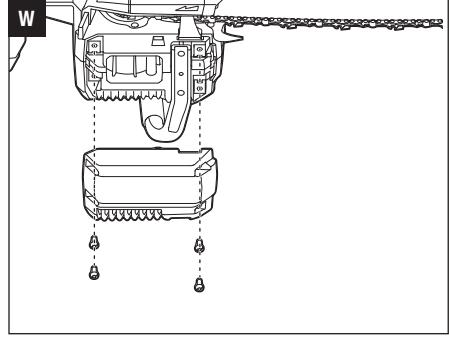
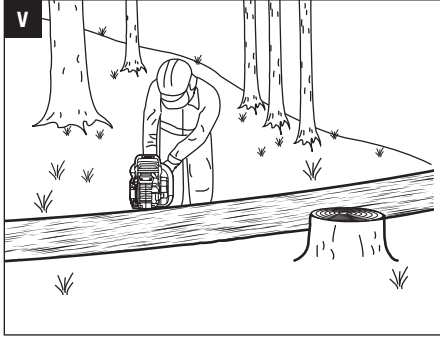
B











READ ALL INSTRUCTIONS!



READ OPERATOR'S MANUAL

WARNING: To ensure safety and reliability, all repairs should be performed by a qualified service technician.

WARNING: Be sure to read and understand all safety instructions in this Operator's Manual, including all safety alert symbols such as "DANGER," "WARNING," and "CAUTION" before using this tool. Failure to follow all instructions listed below may result in electric shock, fire, and/or serious personal injury.



Safety Alert



Wear Eye Protection



Wear Head Protection



Beware of chain saw kickback and avoid contact with bar tip



The information of guide bar



Guaranteed sound power level. Noise emission to the environment according to the European community's Directive.



This product is in accordance with applicable EC directives.



Bluetooth®

mm Millimeter

V Voltage

IPX5 Protection against water jets

SAVE ALL WARNINGS AND INSTRUCTIONS FOR FUTURE REFERENCE.

EN

SAFETY SYMBOLS

WARNING: The operation of any power tools can result in foreign objects being thrown into your eyes, which can result in severe eye damage. Before beginning power tool operation, always wear safety goggles or safety glasses with side shields and a full face shield when needed. We recommend a Wide Vision Safety Mask for use over eyeglasses or standard safety glasses with side shields.



To reduce the risk of injury, user must read and understand operator's manual before using this product.



Wear Ear Protection



Wear Protective Gloves



Guide Bar Tip Kickback



Always use chain saw two-handed



Waste electrical products should not be disposed of with household waste. Take to an authorized recycler.



This product is in accordance with applicable UK legislation.



Direct Current

n_0 No Load Speed

./min Per Minute

NOTE: The Bluetooth® word mark and logos are registered trademarks owned by Bluetooth SIG, inc. and any use of such marks by EGO is under license.

EN SPECIFICATIONS

Rated Voltage	56V	
Max. Chain Speed	30 m/s	
Chain Pitch	8.255 mm / 0.325"	
Chain Gauge	1.3 mm	
Guide Bar Length	50 cm	
Saw Chain Model	AC2035 (Recommend)	
	AC1635, AC1835 (Compatible)	
Saw Chain & Guide Bar Model	AK2035 (Recommend)	
	AK1635, AK1835 (Compatible)	
Chain Oil Tank Capacity	250 ml	
Weight (without battery pack, saw chain, guide bar, side cover, oil and chain sheath)	4.3 kg	
Recommended Operating Temperature	-15°C-40°C	
Recommended Storage Temperature	-20°C-70°C	
Recommended Charging Temperature	5°C-40°C	
Measured sound power level L_{WA}	102 dB(A) K=2.3 dB(A)	
Sound pressure level at working position L_{PA}	92 dB(A) K=3 dB(A)	
Guaranteed sound power level L_{WA} (according to 2000/14/EC)	104 dB(A)	
Vibration a_h	Front handle	3.3 m/s ² K=1.5 m/s ²
	Rear handle	1.74 m/s ² K=1.5 m/s ²

- The declared vibration total value has been measured in accordance with a standard test method and may be used for comparing one tool with another;
- The declared vibration total value may also be used in a preliminary assessment of exposure.

NOTICE: The vibration emission during actual use of the power tool can differ from the declared value in which the tool is used; In order to protect the operator, user should wear gloves and ear protectors in the actual conditions of use.

PACKING LIST(FIG.A1)

DESCRIPTION

KNOW YOUR CHAIN SAW (Fig. A1)

1. Saw Chain
2. Chain-kickback Brake Paddle
3. Front Handle
4. LCD Screen
5. Speed Level
6. Bluetooth Icon
7. Headlight Icon
8. Brake Icon
9. High-temperature Indicator
10. Fuel-gauge Circle
11. Load Current Level
12. Low Oil Indicator
13. Headlight/Bluetooth Button
14. Oil-feeding Button
15. Oil Output Level
16. Lock-off Button
17. Trigger Switch
18. Rear Handle
19. Chain Speed Shifter
20. Battery Release Button
21. Oil-Inspection Window
22. Oil-Tank Cap
23. Guide Bar
24. Lubricating Hole
25. Chain-tensioning Bolt
26. Side Cover
27. Lock Nuts
28. Bucking Spikes
29. LED Headlight
30. Chain Sheath
31. Multi-wrench

ASSEMBLY

ASSEMBLING/REPLACING THE BAR AND CHAIN

WARNING: Adjust the chain-kickback brake handle in the braking position before assembly.

1. Position the chain saw power head on its side with the side cover facing upwards (Fig. B).
2. Remove the side cover by turning the two lock nuts counterclockwise.
3. Turn the chain-tensioning bolt counterclockwise to loosen the chain tension.
4. Lay the saw chain in a loop on a flat surface and straighten any kinks (Fig. C).

5. Place the chain drive links into the guide bar groove and make the chain a loop at the back of the guide bar (Fig. D).
6. Hold the chain in position on the guide bar and place the loop around the sprocket of the saw (Fig. E1).

B-1	Lock Nuts	D-2	Guide Bar Groove
B-2	Chain-tensioning Bolt	E-1	Drive Sprocket
D-1	Chain Drive Links		

NOTICE: When looping the saw chain onto the guide bar, make sure that after mounting the guide bar onto the saw, the cutter orientation matches the cutter icon and rotation direction arrow on the housing. If they face in opposite directions, reassemble the saw chain onto the guide bar with the cutters facing the same direction (Fig. E2).

7. Replace the side cover onto the chain saw housing and fully tighten both lock nuts.
8. Rotate the chain by hand to check whether the chain is properly assembled without binding. Otherwise, reassemble the chain and bar.

NOTICE: To extend the guide bar life, invert the bar occasionally.

ADJUSTING THE CHAIN TENSION

- Stop the motor and remove the battery pack before adjusting the chain tension. Turn the chain-tensioning bolt clockwise or counterclockwise to adjust chain tension (Fig. F) until the chain seats snugly against the guide bar with the drive links in the guide bar groove.
- A cold chain is correctly tensioned when there is no slack on the underside of the guide bar and the chain is snug, but it can be turned by hand without binding. The chain must be re-tensioned whenever the flats on the drive links do not sit in the bar groove.
- During normal saw operation, the temperature the chain will increase. The drive links of a correctly tensioned warm chain will hang approximately 1.3 mm out of the bar groove (Fig. G).

NOTICE: New chains tend to stretch; check chain tension frequently and tension as required.

NOTICE: A chain tensioned while it is warm may be too tight upon cooling. Check the cold tension before next use.

OPERATION

⚠ WARNING: Do not allow familiarity with this product to make you careless. Remember that a careless fraction of a second is sufficient to inflict serious injury.

⚠ WARNING: Do not use any attachments or accessories not recommended by the manufacturer of this product. The use of attachments or accessories not recommended can result in serious personal injury.

⚠ WARNING: To prevent accidental starting that could cause serious personal injury, always remove the battery pack from the tool when assembling parts, making adjustments, cleaning, or when not in use.

Before each use, inspect the entire product for damaged, missing, or loose parts, such as screws, nuts, bolts, caps, etc. Securely tighten all fasteners and caps and do not operate this product until all missing or damaged parts are replaced.

APPLICATIONS

You may use this product for basic felling, limbing, pruning, and woodcutting of lumber and trees.

NOTICE: The machine is to be used only for its prescribed purposes. Any other use is deemed to be a case of misuse.

FILLING BAR AND CHAIN LUBRICANT

⚠ WARNING: Do not smoke or bring any fire or flame near the oil or the chain saw. Oil may spill and cause a fire.

NOTICE: The chain saw is not filled with oil at the time of purchase. It is essential to fill the tank with oil before use. The chain is automatically lubricated with chain oil during operation.

1. Position the chain saw on its side with the tank cap facing upwards.
2. Clean the oil tank cap and the area around it to ensure that no dirt falls into the oil tank.
3. Lift up the semicircular plate and rotate the oil tank cap counterclockwise to remove it (Fig. H).
4. Carefully pour the bar and chain oil into the tank. Fill to the bottom of the fill neck.
5. Wipe off any excessive oil and replace the cap.

NOTICE: Check the oil level frequently and fill when the oil level falls below the minimum line. Never operate the chain saw if the oil is not visible.

ATTACHING/DETACHING THE BATTERY PACK

NOTE: The fuel-gauge circle on the LCD screen indicates the battery-charge level (Fig. A1). The circle will flash when the battery charge near depletion. Fully charge your battery pack before first use.

Use only with EGO's battery packs and chargers listed in Fig. A2.

Fully charge before first use.

To Attach

Align the battery ribs with the mounting slots and press the battery pack down until you hear a "click" (Fig. I).

To Detach

Depress the battery-release button and pull the battery pack out (Fig. J).

STARTING/STOPPING THE CHAIN SAW

NOTICE: Before starting the chain saw, check for the oil level, saw teeth sharpness and properly working kickback brake paddle. Besides, balanced footing and proper distance away from the ground are needed.

To Start (Fig. K)

1. Pull the chain-kickback brake paddle towards the front handle to the operating position (Fig. K).
2. Firmly grasp the front handle with the **left** hand and the rear handle with the **right** hand.

⚠ WARNING: To avoid injury, always use the chain saw with the right hand grasping the gripping area of the rear handle (Fig. L).

3. Press and hold the lock-off button with the thumb of your right hand, then squeeze the trigger switch with the fingers of your right hand to start the saw (Fig. L).

L-1	Gripping Area
-----	---------------

4. Release the lock-off button and continue to squeeze the trigger switch for continued operation.
5. The further the trigger switch is depressed, the greater the chain speed. Adjust the speed to suit the task at hand.

⚠ WARNING: Do not attempt to start the saw when the saw chain is in a cut.

To Stop

1. Move the chain saw away from cutting area, and then release the trigger switch to stop the chain saw.
2. Push the chain-kickback brake paddle forward to the brake position to engage the chain brake (Fig. K).

⚠ WARNING: Always remove the battery pack from the machine during work breaks and after finishing work.

CHANGING SPEED MODE (Fig. M)

This machine features three speed modes. Each speed mode limits the maximum speed of the chain saw. The speed mode will change with every press of the chain speed shifter.

The speed level on the LCD screen will display the active speed mode: one bar for low speed, two bars for medium speed, and three bars for high speed. The low speed mode (ECO) provides better control of the machine and longer operating time per charge.

M-1	Speed Level	M-7	Load Current Level
M-2	Bluetooth Icon	M-8	Headlight/Bluetooth Button
M-3	Headlight Icon	M-9	Oil-feeding Button
M-4	Brake Icon	M-10	Chain Speed Shifter
M-5	High-temperature Indicator	M-11	Oil Output Level
M-6	Fuel-gauge Circle	M-12	Low Oil Indicator

NOTE: When using EGO battery pack rated 4.0Ah or less, only the ECO mode is available. And use of EGO battery pack rated less than 6.0Ah will not allow you to achieve high speed. For best performance, we strongly recommend use of EGO battery packs that are 6.0Ah (e.g., BA3360T) or more.

NOTE: The chain saw features chain speed memory function. The next time the chain saw is turned on, the previously used speed mode will be activated.

NOTE: The LCD screen lights up when trigger switch is pulled or when the oil-feeding button or headlight/Bluetooth button is pressed. By default, the LCD screen automatically turns off after about 1 second of inactivity.

NOTE: Pressing the chain speed shifter will not turn on the LCD screen.

LOAD LEVEL (Fig. M)

The load level on the right side of the LCD screen shows the current load on the machine. The higher number of bars indicates the higher load and the lower number of bars indicates the lower load.

This feature is primarily intended for experienced gas-powered chain saw users that may not have the "feel" of how the battery-powered saw behaves under different loads. It helps users monitoring workload so as to avoid long time

operation under heavy load, which can make the chain saw stops during operation because of getting too hot.

HIGH-TEMPERATURE INDICATOR (Fig. M)

The high-temperature indicator lights up when the machine temperature exceeds 194°F (90°C) or the battery temperature exceeds 158°F (70°C) during operation. The temperature-protection circuit will immediately shut off the machine to prevent overheating damage. Release the trigger and wait until the overheated machine or battery cools down and high-temperature indicator turns off, then restart the machine.

BRAKE ICON (Fig. M)

The brake icon appears on the LCD screen when the brake paddle is in brake position.

The brake icon will be flashing when the omni-directional chain brake system stops the saw. See the next chapter for detailed information.

OMNI-DIRECTIONAL CHAIN BRAKE SYSTEM (Fig. N1 and Fig. N2)

The omni-directional chain brake system is not intended to act as a substitute to the standard/traditional chain brake. The user should never rely on this feature during operation of the chain saw to protect against kickback. Always follow safety instructions related to kickback mitigation found in the warning section of this manual.

When the omni-directional chain brake system is activated and stops the saw, the brake icon will be flashing on the LCD screen (Fig. M). Release the trigger switch, remove the saw chain and guide bar from the wood, then restart the chain saw.

NOTE: The sensors will only detect sudden motion of the saw in the plane of the guide bar (fig. N1). The sensors will not detect any sudden motion of the saw sideways (fig. N2) (i.e., perpendicular to the plane of the guide bar).

OIL OUTPUT LEVEL AND LOW OIL INDICATOR (Fig. M)

The machine automatically lubricates the chain. This chain saw allows you to change the oil output rate with every press of the oil-feeding button.

NOTE: The oil output rate can only be changed when the saw chain is not running.

The oil output level on the LCD screen will display the oil output rate. One bar for low output rate, two bars for medium output rate, and three bars for high output rate.

Choose a higher output rate for faster chain speed. If the saw chain gets dry during work, stop the motor and choose a higher oil output rate.

When the oil level is low, the low oil indicator above the oil

output bars will appear on the LCD screen and only low output rate will be available. Stop the chain saw and refill the oil tank following the chapter **FILLING OIL TANK WITH BAR AND CHAIN LUBRICANT**.

After filling the oil tank, run the chain saw for about 10 seconds to allow the automatic lubrication system to start working and the indicator will disappear from the LCD screen.

NOTICE: If the indicator is still on the LCD screen after performing the above steps, the system may be damaged. Stop using the chain saw and contact an EGO authorized service center for repair.

LED HEADLIGHT (Fig. O)

The LED headlight is located in the front of the chain saw housing. The headlight provides illumination for increased visibility and features 2 brightness levels.

To turn on the headlight, press the headlight/Bluetooth button (Fig. M) one time. The headlight will turn on in low brightness level and the low brightness headlight icon will appear on the LCD screen. Press the headlight/Bluetooth button again to switch to high brightness level and the high brightness headlight icon will appear on the LCD screen.

To turn off the headlight, press the headlight/Bluetooth button the third time and the headlight icon will disappear from the LCD screen.

0-1	Low Brightness Headlight Icon	0-3	LED Headlight
0-2	High Brightness Headlight Icon		

COMMUNICATION TECHNOLOGY

For information on our full range of connected products and services, including connection instructions, please scan QR Code below or visit www.egopowerplus.eu/connect.



PROPER GRIP ON HANDLES (FIG. P1)

- Wear non-slip gloves for maximum grip and protection.
- With the saw on a firm, flat surface, hold the saw firmly with both hands.

- Always grasp the front handle with the left hand and the rear handle with the right hand.
- The fingers should encircle the handle, with the thumb wrapped under the front handle.

⚠ WARNING: Never use a left-handed (cross-handed) grip, or any stance which would place your body or arm across the chain line.

⚠ WARNING: Do not operate the trigger switch with your left hand and hold the front handle with your right hand. Never allow any part of your body to be in the chain line while operating a chain saw (Fig. P2).

PROPER CUTTING STANCE (FIG. Q)

- Both feet should be on solid ground, with weight evenly spread between them.
- The left arm should be straight, with the elbow locked. This helps to withstand the forces generated by kickback.
- Your body should always be to the left of the chain line.

INSTRUCTIONS CONCERNING THE PROPER TECHNIQUES FOR BASIC FELLING, LIMBING, AND CROSS-CUTTING

⚠ WARNING: Always be sure of your footing and hold the chain saw firmly with both hands while the motor is running.

⚠ WARNING: When the saw chain is stopped due to pinching during cutting, release the trigger switch; remove the saw chain and guide bar from the wood, then restart the chain saw.

⚠ WARNING: Do not pull the saw chain with hand when it is bound by the sawdust. Serious injury could result if the chain saw starts accidentally. Press the saw chain against the wood, move the chain saw back and forth to discharge the debris. Always remove the battery pack before cleaning. Wear heavy protective gloves when handling the saw chain.

⚠ WARNING: Never start the chain saw when it is in contact with the wood. Always allow the chain saw reach full speed before applying the saw to the wood.

FELLING A TREE

- When bucking and felling operations are being performed by two or more persons at the same time, the felling operation should be separated from the bucking operation by a distance of at least twice the height of the tree being felled. Trees should not be felled in a manner that would endanger any person, strike any utility line or cause any property damage. If the tree does make contact with any utility line, the utility company should be notified immediately.
- The chain saw operator should stand on the uphill

side of the terrain, as the tree is likely to roll or slide downhill after it is felled.

- An escape path should be planned and cleared as necessary before cuts are started. The escape path should extend back and diagonally to the rear of the expected line of fall as Fig. R shown.

R-1	Felling Direction
R-2	Safety Retreat Path

- Before felling is started, consider the natural lean of the tree, the location of larger branches and the wind direction to judge which way the tree will fall.
- Remove dirt, stones, loose bark, nails, staples and wire from the tree.

Notching undercut

Make the notch 1/3 the diameter of the tree, perpendicular to the direction of falls as Fig. S shown. Make the lower horizontal notching cut first. This will help to avoid pinching either the saw chain or the guide bar when the second notch is being made.

S-1	Direction of Fall	S-3	Felling Back Cut
S-2	Notch	S-4	Hinge

Felling back cut

- Make the felling back cut at least 50 mm higher than the horizontal notching cut as Fig. S shown. Keep the felling back cut parallel to the horizontal notching cut. Make the felling back cut so enough wood is left to act as a hinge. The hinge wood keeps the tree from twisting and falling in the wrong direction. Do not cut through the hinge.
- As the felling gets close to the hinge, the tree should begin to fall. If there is any chance that the tree may not fall in desired direction or it may rock back and bind the saw chain, stop cutting before the felling back cut is complete and use wedges of wood, plastic or aluminium to open the cut and drop the tree along the desired line of fall.
- When the tree begins to fall remove the chain saw from the cut, stop the motor, put the chain saw down, then use the retreat path planned. Be alert for overhead limbs falling and watch your footing.

Limbing a tree

Limbing is removing the branches from a fallen tree. When limbing leave larger lower limbs to support the log off the

ground. Remove the small limbs in one cut as Fig. T shown. Branches under tension should be cut from the bottom up to avoid binding the chain saw.

Bucking a log

Bucking is cutting a log into lengths. It is important to make sure your footing is firm and your weight is evenly distributed on both feet. When possible, the log should be raised and supported by the use of limbs, logs or chocks. Follow the simple directions for easy cutting.

When the log is supported along its entire length as Fig. U1 shown, it is cut from the top (overbuck).

When the log is supported on one end, as Fig. U2 shown, cut 1/3 the diameter from the underside (underbuck). Then make the finished cut by overbucking to meet the first cut.

When the log is supported on both ends, as Fig. U3 shown, cut 1/3 the diameter from the top (overbuck). Then make the finished cut by underbucking the lower 2/3 to meet the first cut.

When bucking on a slope always stand on the uphill side of the log, as Fig. V shown.

When "cutting through", to maintain complete control release the cutting pressure near the end of the cut without relaxing your grip on the chain saw handles. Don't let the chain contact the ground. After completing the cut, wait for the saw chain to stop before you move the chain saw. Always stop the motor before moving from tree to tree.

MAINTENANCE

⚠ WARNING: When servicing, use only identical replacement parts. Use of any other parts may create a hazard or cause product damage. To ensure safety and reliability, all repairs should be performed by a qualified service technician.

⚠ WARNING: To avoid serious personal injury, always remove the battery pack from the product before inspecting, cleaning, or performing maintenance. A battery operated tool with the battery pack inserted is always on and can start accidentally.

⚠ WARNING: When cleaning the chain saw, DO NOT immerse it in water or other liquids.

⚠ WARNING: Do not at any time let brake fluids, petrol, petroleum-based products, penetrating oils, etc., come in contact with plastic parts. Chemicals can damage, weaken, or destroy plastic, which may result in serious personal injury.

CLEANING

- After each use, clean debris from the chain and guide bar with a soft brush. Wipe the chain saw surface with a clean cloth moistened with a mild soap solution.
- Remove the side cover, and then use a soft brush to remove debris from the guide bar, saw chain, sprocket

and side cover.

- Remove the bottom cover about every 8 hours of operation, and then use a soft brush to remove debris inside the machine and on the cover (Fig. W).
- Always clean out wood chips, saw dust, and dirt from the guide bar groove when replacing the saw chain.

GUIDE BAR MAINTENANCE

When the guide bar shows signs of wear, disassemble it from the chain saw power head and reverse it for reassembly (Fig. X1). This way the wear will be distributed to maximize the guide bar life.

The bar should be cleaned every day of use and checked for wear and damage (Fig. X2). Feathering or burring of the bar rails is a normal process of bar wear. Such faults should be smoothed with a file as soon as they occur. A bar with any of the following faults should be replaced.

- Wear inside the bar rails which permits the chain to lay over sideways.
- Bent guide bar.
- Cracked or broken rails.
- Spread rails.

In addition, the guide bar has a sprocket at its tip (Fig. X3).

The sprocket must be lubricated weekly with a grease syringe to extend the guide bar life. Use a grease syringe to lubricate weekly with chain oil by means of the lubricating hole (Fig. W4). Turn the guide bar and check that the lubrication holes and chain groove are free from impurities.

X-1	Bar Rails	X-3	Lubricating Hole
X-2	Sprocket in Guide Bar Tip		

NOTICE: Use EGO authorized lubricants for best results.

TRANSPORTING AND STORING

Do not store or transport the chain saw when it is running. Always remove the battery pack before storing or transporting.

Always place the guide bar sheath on the guide bar and chain before storing or transporting the chain saw. Use caution to avoid the sharp teeth of the chain.

Clean the chain saw thoroughly before storing. Store the chain saw indoors, in a dry place that is locked and/or inaccessible to children.

Keep away from corrosive agents such as garden chemicals and de-icing salts.



EN

PROTECTING THE ENVIRONMENT



Do not dispose of electrical equipment, used battery and charger into household waste!

Take this product to an authorized recycler and make it available for separate collection. Electric tools must be returned to an environmentally compatible recycling facility.

TROUBLESHOOTING

⚠ WARNING: Always protect your hands by wearing heavy gloves when performing any maintenance on the saw chain. Always remove the battery pack when servicing or transporting the chain saw.

PROBLEM	CAUSE	SOLUTION
Motor does not start.	<ul style="list-style-type: none"> ■ The battery pack is not attached to the chain saw. ■ No electrical contact between the saw and battery pack. ■ If the fuel-gauge circle on the LCD screen is flashing, the battery pack is depleted. ■ If the high-temperature indicator appears on the LCD screen, the battery pack or chain saw is too hot. ■ If the chain brake icon appears on the LCD screen, chain brake is engaged. ■ Debris in bar groove. ■ Debris in side cover. 	<ul style="list-style-type: none"> ■ Attach the battery pack to the chain saw. ■ Remove battery pack, check contacts and reinstall the battery pack. ■ Charge the battery pack. ■ Allow the battery pack or chain saw to cool until the temperature drops below 67°C. ■ Pull the chain-kickback brake paddle backward toward the front handle, arriving at the operating position. ■ Press the saw chain against the wood, move the chain saw back and forth to discharge the debris. ■ Remove battery pack, then remove side cover and clean out debris.
Speed mode cannot be changed.	<ul style="list-style-type: none"> ■ Chain speed shifter is stuck by debris. 	<ul style="list-style-type: none"> ■ Clean out debris around the chain speed shifter.
Chain saw unexpectedly stops running during operation.	<ul style="list-style-type: none"> ■ The chain saw is overloaded. ■ If the high-temperature indicator appears on the LCD screen, the battery pack or chain saw is too hot. ■ Saw chain is bound in the wood. ■ If the chain brake icon is flashing on the LCD screen, the saw is stopped by the omni-directional chain brake system. 	<ul style="list-style-type: none"> ■ Decrease the load. ■ Allow the battery pack or chain saw to cool until the temperature drops below 67°C. ■ Release the trigger switch; remove the saw chain and guide bar from the wood, then restart the chain saw. ■ Release the trigger switch; remove the saw chain and guide bar from the wood, then restart the chain saw.
Motor runs, but chain does not rotate.	<ul style="list-style-type: none"> ■ Chain does not engage drive sprocket. 	<ul style="list-style-type: none"> ■ Reinstall the chain, ensuring that the drive links on the chain are fully seated on the sprocket.
Chain brake does not engage.	<ul style="list-style-type: none"> ■ Debris preventing full movement of the chain-kickback brake paddle. ■ Possible chain brake malfunction. 	<ul style="list-style-type: none"> ■ Clean debris from the external chain brake mechanism. ■ Contact EGO Customer Service for repair.

PROBLEM	CAUSE	SOLUTION
Chain saw does not cut properly.	<ul style="list-style-type: none"> ■ Insufficient chain tension. ■ Dull chain. ■ Chain installed backwards. ■ Worn chain. ■ Dry or excessively stretched chain. ■ Chain not in bar groove. 	<ul style="list-style-type: none"> ■ Readjust the chain tension, following the section: “ADJUSTING THE CHAIN TENSION”. ■ Sharpen the chain. ■ Reinstall the saw chain, following the section “ASSEMBLING/REPLACING THE BAR AND CHAIN”. ■ Replace the chain, following the section: “ASSEMBLING/REPLACING THE BAR AND CHAIN”. ■ Check the oil level. Refill the oil tank and choose a higher oil supply volume if necessary. ■ Reinstall the saw chain, following the section: “ASSEMBLING/REPLACING THE BAR AND CHAIN”.
Chain becomes loose or drops off the guide bar during normal use.	<ul style="list-style-type: none"> ■ The chain will become loose as the temperature of the chain increases during normal saw operation. ■ Chain does not engage drive sprocket. 	<ul style="list-style-type: none"> ■ Tighten the chain tension, following the section “ADJUSTING THE CHAIN TENSION”. ■ Reinstall the saw chain, following the section: “ASSEMBLING/REPLACING THE BAR AND CHAIN”.
Bar and chain running hot and smoking.	<ul style="list-style-type: none"> ■ If the low oil indicator appears on the LCD screen, the chain oil tank is empty. ■ Debris in guide bar groove. 	<ul style="list-style-type: none"> ■ Check the oil level. Refill the oil tank if necessary. ■ Clear the debris in the groove.
Low oil indicator appears on the LCD screen even though there is sufficient oil in the oil tank. Or even if the oil tank is short of oil, the LCD screen does not show the low oil indicator.	<ul style="list-style-type: none"> ■ The oil level detection component has not yet detected the true oil level due to the residual oil or air in the oil tube. ■ Oil level detection component failure. 	<ul style="list-style-type: none"> ■ Wait a few minutes for any residual oil or air to drain out of the oil tube.

WARRANTY

EGO WARRANTY POLICY

Please visit the website egopowerplus.eu for full terms and conditions of the EGO Warranty policy.

LESEN SIE ALLE ANWEISUNGEN!



LESEN SIE DIE BETRIEBSANLEITUNG

! WARNUNG: Um die Sicherheit und Zuverlässigkeit zu gewährleisten, sollten alle Reparaturen nur von qualifizierten Servicetechnikern durchgeführt werden.

! WARNUNG: Vor der Benutzung des Geräts sollten Sie alle Sicherheitsanweisungen in dieser Bedienungsanleitung gelesen und verstanden haben. Das gilt auch für die Hinweise „GEFAHR“, „WARNUNG“ und „VORSICHT“. Die Nichtbeachtung der aufgeführten Anweisungen kann zu Stromschlägen, Bränden und/oder schweren Verletzungen führen.



Warnhinweis



Augenschutz tragen



Kopfschutz tragen



Vorsicht vor dem Rückstoß der Kettensäge und den Kontakt mit der Schienenspitze vermeiden.



Angaben zur Führungsschiene



Garantierter Schalleistungspegel. Geräuschemission an die Umgebung gemäß Richtlinie der Europäischen Gemeinschaft.



Dieses Produkt erfüllt die einschlägigen CE-Richtlinien.



Bluetooth®

mm Millimeter

V Spannung

IPX5 Strahlwassergeschützt

BEWAHREN SIE ALLE WARNHINWEISE UND BETIENUNGSANWEISUNGEN FÜR NACHSCHLAGEZWECKE AUF.

WARNSYMBOL

! WARNUNG: Beim Betrieb von Elektrowerkzeugen besteht die Gefahr, dass Fremdkörper in Ihre Augen geschleudert werden und Sie dadurch schwerwiegende Augenschäden davontragen. Tragen Sie immer eine Schutzbrille, wenn möglich mit Seitenschutz oder, falls nötig, einen vollen Gesichtsschutz, bevor Sie Arbeiten mit dem Elektrowerkzeug verrichten. Wir empfehlen Ihnen, einen Gesichtsschutz über Ihrer eigenen Brille oder eine herkömmliche Schutzbrille mit Seitenschutz zu tragen.



Um das Verletzungsrisiko zu verringern, muss der Benutzer die Bedienungsanleitung vor der Benutzung des Gerätes gelesen und verstanden haben.



Gehörschutz tragen



Schutzhandschuhe tragen



Rückstoß von Schienenspitze



Kettensäge immer beidhändig führen



Elektrische Altgeräte dürfen nicht im Hausmüll entsorgt werden. Bringen Sie das Gerät zu einem Wertstoffhof bzw. zu einer amtlichen Sammelstelle.



Dieses Produkt erfüllt die einschlägigen Vorschriften in GB.



Gleichstrom

n_0 Leerlaufdrehzahl

./min pro Minute

ANMERKUNG: Das Bluetooth®-Zeichen und dessen Logos sind eingetragene Marken von Bluetooth SIG, Inc. und deren Verwendung durch EGO ist lizenziert.

TECHNISCHE DATEN

DE

Nennspannung	56V	
Max. Kettengeschwindigkeit	30 m/s	
Kettenteilung	8,255 mm/0,325 Zoll	
Kettengliedlänge	1,3 mm	
Länge der Führungsschiene	50 cm	
Sägekettenmodell	AC2035 (Empfehlung)	
	AC1635, AC1835 (Kompatibel)	
Sägeketten- & Führungsschiene Modell	AK2035 (Empfehlung)	
	AK1635, AK1835 (Kompatibel)	
Volumen Kettenöltank	250 ml	
Gewicht (ohne Akkupack, Sägekette, Führungsschiene, Seitenabdeckung, Öl und Kettenhülle)	4,3 kg	
Empfohlene Betriebstemperatur	-15°C-40°C	
Empfohlene Lagertemperatur	-20°C-70°C	
Empfohlene Ladetemperatur	5°C-40°C	
Gemessener Schallleistungspegel L_{WA}	102 dB(A)	
	K=2,3 dB(A)	
Schalldruckpegel in Arbeitsposition L_{PA}	92 dB(A)	
	K=3 dB(A)	
Garantierter Schallleistungspegel L_{WA} (nach 2000/14/EG)	104 dB(A)	
Vibration a_h	Vorderer Griff	3,3 m/s ² K=1,5 m/s ²
	Hinterer Griff	1,74 m/s ² K=1,5 m/s ²

- Der angegebene Vibrationsgesamtwert wurde nach einem Standard-Prüfverfahren gemessen und kann zum Vergleich mit einem anderen Werkzeug herangezogen werden.
- Der angegebene Vibrationsgesamtwert kann auch zur vorläufigen Risikobewertung herangezogen werden.

HINWEIS: Die beim Einsatz des Elektrowerkzeugs entstehenden Istvibrationen können von dem angegebenen Wert abweichen. Zum Schutz des Benutzers sollten Handschuhe und ein Gehörschutz während des

Geräteeinsatzes getragen werden.

PACKLISTE (ABB. A1)

BESCHREIBUNG

AUFBAU (Abb. A1)

- Sägekette
- Kettenbremshebel
- Vorderer Griff
- LC-Display
- Geschwindigkeitsstufe
- Bluetooth-Symbol
- Scheinwerfer-Symbol
- Bremsen-Symbol
- Überhitzungsanzeige
- Kraftstoffanzeige-Kreis
- Laststrom
- Ölwarmluchte
- Scheinwerfer/Bluetooth-Taste
- Ölzufuhr-Taste
- Ölmenge
- Entriegelungsschalter
- Betriebsschalter
- Hinterer Griffbügel
- Kettendrehzahl-Schalter
- Akku-Entriegelungstaste
- Ölsichtfenster
- Öltankverschluss
- Führungsschiene
- Schmierloch
- Kettenspannungsschraube
- Seitenabdeckung
- Sicherungsmutter
- Prelldorne
- LED-Scheinwerfer
- Kettenschutzhülle
- Kombischlüssel

MONTAGE

MONTIEREN/AUSWECHSELN DER SCHIENE UND DER KETTE

⚠️ WARNUNG: Stellen Sie den Kettenbremshebel vor der Montage in die Bremsstellung.

- Legen Sie den Antriebskopf der Kettensäge auf die Seite. Die Seitenabdeckung sollte dabei nach oben zeigen (Ab. B).
- Entfernen Sie die Seitenabdeckung, indem Sie die beiden Sicherungsmuttern gegen den Uhrzeigersinn drehen.

3. Drehen Sie die Kettenspannschraube gegen den Uhrzeigersinn, um die Kettenspannung zu lösen.
4. Legen Sie die neue Sägekette in einer Schlaufe auf einer ebenen Fläche aus und beseitigen Sie etwaige Knicke (Abb. C).
5. Legen Sie die Kettenglieder in die Nut der Führungsschiene ein und verlegen Sie die Kette hinten an der Führungsschiene wieder zurück zur Schienenspitze (Abb. D).
6. Halten Sie die Kette auf der Führungsschiene fest und legen Sie sie um das Zahnrad der Säge (Abb. E1).

B-1	Sicherungsmutter	D-2	Nut der Führungsschiene
B-2	Kettenspannungsschraube	E-1	Antriebsritzel
D-1	Kettenglieder		

HINWEIS: Wenn Sie die Sägekette auf die Führungsschiene aufziehen, achten Sie darauf, dass nach der Montage der Führungsschiene an der Säge, die Sägezahnausrichtung, das Sägezahnsymbol und der Drehrichtungspfeil am Gehäuse übereinstimmen. Wenn sie in entgegengesetzte Richtungen weisen, bringen Sie die Sägekette erneut auf der Führungsschiene an, wobei die Sägezähne in die gleiche Richtung zeigen (Abb. E2)

7. Bringen Sie die Seitenabdeckung wieder am Kettensägegehäuse an und ziehen Sie die beiden Sicherungsmuttern fest.
8. Drehen Sie die Kette von Hand, um zu prüfen, ob die Kette richtig montiert ist, ohne zu klemmen. Andernfalls muss die Kette erneut über die Schiene verlegt werden.

HINWEIS: Um die Lebensdauer der Führungsschiene zu verlängern, drehen Sie die Schiene gelegentlich um.

EINSTELLEN DER KETTENSpannung

- Stellen Sie den Motor ab und entfernen Sie den Akku, bevor Sie die Kettenspannung einstellen. Drehen Sie die Kettenspannschraube im oder gegen den Uhrzeigersinn, um die Kettenspannung einzustellen (Abb. F), bis die Kette eng an der Führungsschiene anliegt und die Kettenglieder in der Führungsschienennut liegen.
- Eine kalte Kette ist korrekt gespannt, wenn kein Spiel an der Unterseite der Führungsschiene vorhanden ist und die Kette anliegt, sich jedoch manuell drehen lässt, ohne stecken zu bleiben. Die

Kette muss immer neu gespannt werden, wenn die Abflachungen an den Antriebsgliedern nicht in der Nut der Schiene sitzen.

- Während des normalen Sägebetriebs erhöht sich die Temperatur der Kette. Bei einer korrekt erwärmten Kette hängen die Kettenglieder etwa 1,3 mm aus der Nut der Schiene heraus (Abb. G).

HINWEIS: Neue Ketten neigen dazu sich zu dehnen. Prüfen Sie deshalb die Kettenspannung regelmäßig und spannen Sie nach Bedarf nach.

HINWEIS: Eine Kette, die im warmen Zustand gespannt wurde, ist im erkalteten Zustand möglicherweise zu straff gespannt. Prüfen Sie vor dem nächsten Gebrauch die Spannung der kalten Kette.

BETRIEB

⚠️ WARNUNG: Auch wenn Sie sich mit dem Gerät auskennen, sollten Sie sich nicht zu einer gewissen Nachlässigkeit verleiten lassen. Denken Sie daran, dass ein kurzer Moment der Unachtsamkeit zu ernsthaften Verletzungen führen kann.

⚠️ WARNUNG: Verwenden Sie keine Anbauwerkzeuge oder Zubehörteile, die nicht vom Hersteller dieses Produkts empfohlen worden sind. Der Gebrauch von nicht empfohlenen Anbauwerkzeugen oder Zubehör kann zu schweren Verletzungen führen.

⚠️ WARNUNG: Um einen unbeabsichtigten Geräteanlauf bei der Montage von Teilen, bei Einstellarbeiten, beim Reinigen oder bei Nichtgebrauch zu verhindern, muss der Akku vom Gerät abgenommen werden. Andernfalls besteht schwere Verletzungsgefahr. Inspizieren Sie das gesamte Produkt vor jeder Benutzung auf beschädigte, fehlende oder lockere Teile, wie z. B. Schrauben, Muttern, Stifte, Kappen usw. Alle Befestigungsmittel und Kappen festziehen und das Gerät erst betätigen, wenn alle beschädigten oder fehlenden Teile ersetzt wurden.

ANWENDUNGEN

Sie können dieses Gerät zum einfachen Fällen, Entasten, Beschneiden und Sägen von Holzstämmen und Bäumen benutzen.

HINWEIS: Die Maschine darf nur für die vorgeschriebenen Zwecke verwendet werden. Jede andere Verwendung gilt als Zweckentfremdung.

EINFÜLLEN VON SCHIENEN- UND KETTEN-SCHMIERSTOFF

⚠️ WARNUNG: Rauchen Sie nicht und halten Sie Feuer oder Flammen vom Öl und der Kettensäge fern. Das Öl kann auslaufen und einen Brand verursachen.

HINWEIS: Beim Kauf ist die Kettensäge nicht mit Öl befüllt. Vor dem Gebrauch muss der Tank mit Öl befüllt werden. Während des Betriebs wird die Kette automatisch mit Kettenöl geschmiert.

1. Legen Sie die Kettensäge auf die Seite. Der Tankverschluss sollte dabei nach oben zeigen.
2. Säubern Sie den Öltankverschluss und den Bereich um den Verschluss, um sicherzustellen, dass kein Schmutz in den Öltank gelangen kann.
3. Heben Sie die halbrunde Platte an und schrauben Sie den Öltankverschluss entgegen dem Uhrzeigersinn ab (Abb. H).
4. Gießen Sie vorsichtig das Schienen- und Kettenöl in den Tank. Füllen Sie bis zur Unterseite des Einfüllstutzens Öl nach.
5. Wischen Sie die Ölrreste ab und bringen Sie den Deckel wieder an.

HINWEIS: Überprüfen Sie den Ölstand häufig und füllen Sie nach, wenn der Ölstand unter die Mindestmarkierung sinkt. Nehmen Sie die Kettensäge niemals in Betrieb, wenn kein Öl sichtbar ist.

ANBRINGEN/ABNEHMEN DES AKKUS

ANMERKUNG: Der Kraftstoffanzeige-Kreis auf dem LC-Display zeigt den Ladezustand des Akkus an (Abb. A1). Der Kreis blinkt, wenn die Akkuladung fast erschöpft ist. Laden Sie Ihren Akku vor dem ersten Gebrauch voll auf.

Nur die in Abb. A2 aufgeführten EGO Akkus und Ladegeräte verwenden.

Vor dem ersten Gebrauch voll aufladen.

Anbringen

Lassen Sie die Rippen am Akkugehäuse mit den Öffnungen am Gerät fluchten und schieben Sie den Akku bis zum hörbaren Einrasten in das Gerät (Abb. I).

Abnehmen

Drücken Sie den Akku-Freigabeknopf und ziehen Sie den Akku heraus (Abb. J).

STARTEN/STOPPEN DER KETTENSÄGE

HINWEIS: Vor dem Einschalten der Kettensäge müssen Sie den Ölstand, die Sägezahnschärfe und die korrekte Funktion des Kettenbremshebels überprüfen. Darüber

hinaus sind ein fester Stand und ein sicherer Abstand zum Boden wichtig.

Starten (Abb. K)

1. Stellen Sie den Kettenbremshebel in Richtung des vorderen Griffs auf Betriebsstellung (Abb. K).
2. Greifen Sie den vorderen Griff fest mit der **linken** Hand und den hinteren Griff mit der **rechten** Hand.

⚠️ WARNUNG: Um Verletzungen zu vermeiden, benutzen Sie die Kettensäge immer mit der rechten Hand am Griffbereich des hinteren Griffs (Abb. L).

3. Halten Sie den Entriegelungsschalter mit dem Daumen Ihrer rechten Hand gedrückt; drücken Sie dann den Betriebsschalter mit den Fingern Ihrer rechten Hand, um die Säge zu starten. (Abb. L).

L-1	Griffbereich
-----	--------------

4. Lassen Sie den Auslöser-Freigabeknopf los und halten Sie den Auslöseschalter weiter gedrückt. Die Säge läuft nun weiter.
5. Je weiter der Auslöseschalter gedrückt wird, desto höher ist die Kettengeschwindigkeit. Die Geschwindigkeit sollte für die auszuführenden Arbeiten geeignet sein.

⚠️ WARNUNG: Versuchen Sie nicht, die Säge zu starten, wenn sich die Sägekette in einem Schnitt befindet.

Stoppen

1. Ziehen Sie die Kettensäge aus dem Schnittbereich und lassen Sie dann den Auslöseschalter los, um die Kettensäge zu stoppen.
2. Bewegen Sie den Kettenbremshebel nach vorn in die Bremsstellung, um die Kettenbremse zu aktivieren (Abb. K).

⚠️ WARNUNG: Bei Arbeitspausen und nach Abschluss der Arbeiten stets den Akku vom Gerät abnehmen.

GESCHWINDIGKEITSSTUFE ÄNDERN (ABB. M)

Dieses Gerät verfügt über drei Geschwindigkeitsstufen. Jede Geschwindigkeitsstufe begrenzt die Höchstgeschwindigkeit der Kettensäge. Die Geschwindigkeitsstufe ändert sich mit jedem Drücken des Kettendrehzahl-Schalters.

Die Geschwindigkeitsbalken auf dem LC-Display zeigen die aktuelle Geschwindigkeitsstufe an: ein

Balken für niedrige Geschwindigkeit, zwei Balken für mittlere Geschwindigkeit und drei Balken für hohe Geschwindigkeit. Die niedrige Geschwindigkeitsstufe (ECO) ermöglicht eine bessere Kontrolle über das Gerät und die Betriebsdauer pro Aufladung verlängert sich.

M-1	Geschwindigkeitsstufe	M-7	Laststrom
M-2	Bluetooth-Symbol	M-8	Scheinwerfer/Bluetooth-Taste
M-3	Scheinwerfer-Symbol	M-9	Ölzufuhr-Taste
M-4	Bremsen-Symbol	M-10	Kettendrehzahl-Schalter
M-5	Überhitzungsanzeige	M-11	Ölmenge
M-6	Kraftstoffanzeige-Kreis	M-12	Ölwarnleuchte

ANMERKUNG: Beim Einsatz eines EGO Akkupacks mit 4,0 Ah oder weniger steht nur der ECO-Modus zur Verfügung. Die hohe Geschwindigkeitsstufe kann bei Einsatz eines EGO Akkupacks mit weniger als 6,0 Ah nicht erreicht werden. Für ein Optimum an Leistung empfehlen wir EGO Akkupacks mit 6,0 Ah Kapazität oder höher (z. B. BA3360T).

ANMERKUNG: Die Kettensäge verfügt über eine Memory-Funktion für die Kettengeschwindigkeit. Wenn die Kettensäge das nächste Mal eingeschaltet wird, wird die zuvor verwendete Geschwindigkeitsstufe aktiviert.

ANMERKUNG: Das LC-Display leuchtet auf, wenn der Betriebsschalter gezogen oder die Ölzufuhr-Taste oder die Scheinwerfer-/Bluetooth-Taste gedrückt wird. Standardmäßig schaltet sich das LC-Display nach etwa 1 Sekunde Inaktivität automatisch aus.

ANMERKUNG: Durch Drücken des Kettendrehzahl-Schalters wird das LC-Display nicht eingeschaltet.

BELASTUNGSHÖHE (Abb. M)

Die Belastungsanzeige auf der rechten Seite des LC-Displays zeigt die aktuelle Belastung des Geräts an. Je mehr Balken, desto höher die Belastung, je weniger Balken, desto geringer die Belastung.

Diese Funktion ist in erster Linie für Benutzer, die an benzinbetriebene Kettensägen gewöhnt sind und die möglicherweise noch nicht ein „Gefühl“ dafür haben, wie

sich die akkubetriebene Säge unter verschiedenen Lasten verhält, gedacht. Sie hilft dem Benutzer, die Arbeitslast zu überwachen, um zu vermeiden, dass die Kettensäge über einen längeren Zeitraum unter hoher Belastung arbeitet, was dazu führen kann, dass die Kettensäge während des Betriebs stoppt, weil sie zu heiß wird.

ÜBERHITZUNGSANZEIGE (Abb. M)

Die Überhitzungsanzeige leuchtet auf, wenn die Maschinentemperatur 90°C (194°F) oder die Akkutemperatur 70°C (158°F) während des Betriebs übersteigt. Der Überhitzungsschutz schaltet das Gerät sofort ab, um Überhitzungsschäden zu vermeiden. Lassen Sie den Betriebsschalter los und warten Sie, bis das überhitzte Gerät oder der Akku abgekühlt ist und die Überhitzungsanzeige erlischt, und starten Sie dann die Maschine neu.

BREMSSYMBOL (Abb. M)

Das Bremssymbol erscheint auf dem LC-Display, wenn sich der Bremshebel in der Bremsposition befindet.

Das Bremssymbol blinkt, wenn das omnidirektionale Kettenbremssystem die Säge anhält. Ausführliche Informationen finden Sie im nächsten Kapitel.

OMNIDIREKTIONALES KETTENBREMSSYSTEM (Abb. N1 und Abb. N2)

Die omnidirektionale Kettenbremse ist nicht als Ersatz für die herkömmliche Standard-Kettenbremse vorgesehen. Als Schutz vor Rückstößen sollte sich der Bediener während des Betriebs niemals allein auf diese Schutzeinrichtung verlassen. Befolgen Sie stets die Hinweise zur Verringerung von Rückstößen in dieser Betriebsanleitung.

Das Bremssymbol blinkt im LC-Display, sobald die omnidirektionale Kettenbremse einsetzt und die Säge stoppt (siehe Abb. M). Lassen Sie den Auslöseschalter los; entfernen Sie die Sägekette und Führungsschiene aus dem Holz und schalten Sie die Kettensäge wieder ein.

ANMERKUNG: Die Sensoren erkennen lediglich eine plötzliche Bewegung der Kette entlang der Führungsschiene (Abb. N1). Die Sensoren erkennen keine plötzliche Seitenbewegung der Kette (Abb. N2) (d. h. senkrecht zur Führungsschienenenebene).

ÖLMENGEN- UND ÖLWARNANZEIGE (Abb. M)

Die Maschine schmiert die Kette automatisch. Mit dieser Kettensäge können Sie die Ölmenge mit jedem Tastendruck auf die Ölzufuhr-Taste ändern.

ANMERKUNG: Die Ölmenge kann nur geändert werden,

wenn die Sägekette nicht läuft.

DE

Der Ölstand auf dem LC-Display zeigt die Ölmenge an. Ein Balken für eine niedrige, zwei Balken für eine mittlere und drei Balken für eine hohe Ölmenge.

Wählen Sie eine höhere Ölmenge für eine höhere Kettengeschwindigkeit. Wenn die Sägekette während der Arbeit trocken wird, schalten Sie den Motor aus und wählen Sie eine höhere Ölmenge.

Wenn der Ölstand niedrig ist, leuchtet auf dem LC-Display die Ölwarnleuchte über den Balken für die Ölmenge und es ist nur eine niedrige Ölmenge verfügbar. Halten Sie die Kettensäge an und füllen Sie den Öltank wie in Kapitel **ÖLTANK MIT SCHIENEN- UND KETTENSCHMIERMITTEL FÜLLEN** beschrieben auf.

Lassen Sie die Kettensäge nach dem Befüllen des Öltanks etwa 10 Sekunden lang laufen, damit das automatische Schmiersystem seine Arbeit aufnehmen kann und die Anzeige auf dem LC-Display verschwindet.

HINWEIS: Wenn die Anzeige nach Durchführung der oben genannten Schritte immer noch auf dem LC-Display angezeigt wird, ist das System möglicherweise beschädigt. Verwenden Sie die Kettensäge nicht mehr und wenden Sie sich zwecks Reparatur an ein von EGO autorisiertes Servicezentrum.

LED-SCHEINWERFER (Abb. O)

Der LED-Scheinwerfer befindet sich an der Vorderseite des Kettensägegehäuses. Der Scheinwerfer sorgt für eine bessere Sicht und verfügt über 2 Helligkeitsstufen.

Um den Scheinwerfer einzuschalten, drücken Sie einmal auf die Scheinwerfer-/Bluetooth-Taste (Abb. M). Der Scheinwerfer schaltet sich mit geringer Helligkeit ein und das Symbol für geringe Helligkeit erscheint auf dem LC-Display. Drücken Sie die Scheinwerfer-/Bluetooth-Taste erneut, um auf die höchste Helligkeitsstufe umzuschalten; das Scheinwerfer-Symbol für hohe Helligkeit wird nun auf dem LC-Display angezeigt.

Um den Scheinwerfer auszuschalten, drücken Sie die Scheinwerfer-/Bluetooth-Taste ein drittes Mal; das Scheinwerfer-Symbol verschwindet vom LC-Display.

0-1	Scheinwerfer-Symbol für geringe Helligkeit	0-3	LED-Scheinwerfer
0-2	Scheinwerfer-Symbol für hohe Helligkeit		

KOMMUNIKATIONSTECHNIK

Für Informationen oder unser gesamtes Angebot an verbundenen Produkten und Dienstleistungen, einschließlich Verbindungsanweisungen, scannen Sie

bitte den QR-Code unten oder besuchen Sie www.egopowerplus.eu/connect.



FESTER HALT AN DEN GRIFFEN (ABB. P1)

- Mit rutschfesten Handschuhen sorgen Sie für maximalen Halt und Schutz.
- Legen Sie die Säge auf eine feste, ebene Fläche und halten Sie die Säge mit beiden Händen gut fest.
- Greifen Sie immer den vorderen Griff mit der linken Hand und den hinteren Griff mit der rechten Hand.
- Die Finger sollten den Griff umschließen und der Daumen sollte bis unter dem vorderen Griff anliegen.

⚠️ WARNUNG: Halten Sie das Gerät nie über Kreuz fest und vermeiden Sie Körperhaltungen, bei denen sich Ihr Körper oder Ihre Arme mit der Kettenlinie kreuzen.

⚠️ WARNUNG: Betätigen Sie den Auslöseschalter nicht mit der linken Hand und halten Sie den vorderen Griff mit Ihrer rechten Hand fest. Beim Arbeiten mit der Kettensäge dürfen sich keine Körperteile in der Kettenlinie befinden (Abb. P2).

KORREKTE SCHNEIDHALTUNG (ABB. Q)

- Beide Füße sollten auf festem Boden stehen und das Gewicht sollte gleichmäßig auf beide Beine verteilt sein.
- Der linke Arm sollte gerade und der Ellbogen durchgedrückt sein. Mit dieser Haltung können Sie den Kräften besser standhalten, die durch einen Rückschlag oder Rückstoß entstehen.
- Ihr Körper sollte sich immer links von der Kettenlinie befinden.

ANWEISUNGEN IN BEZUG AUF DIE RICHTIGE VORGEHENSWEISE BEIM FÄLLEN, ENTASTEN UND DURCHTRENNEN

⚠️ WARNUNG: Achten Sie immer auf einen sicheren Stand und halten Sie die Kettensäge mit beiden Händen fest, solange der Motor läuft.

⚠️ WARNUNG: Wenn die Sägekette während des

Sägens stoppt, weil sie fest sitzt, lassen Sie den Auslöseschalter los. Ziehen Sie die Sägekette und Führungsschiene aus dem Holz und schalten Sie die Kettensäge wieder ein.

⚠️ WARNUNG: Ziehen Sie die Sägekette nicht mit der Hand, wenn Sie wegen Sägestaub blockiert. Wenn die Kettensäge versehentlich in Betrieb gesetzt wird, kann es zu ernsthaften Verletzungen kommen. Drücken Sie die Sägekette gegen das Holz und bewegen Sie die Kettensäge vor und zurück, um die Rückstände zu beseitigen. Entfernen Sie vor dem Reinigen immer den Akku. Tragen Sie robuste Schutzhandschuhe beim Umgang mit der Sägekette.

⚠️ WARNUNG: Starten Sie die Kettensäge niemals, wenn sie Kontakt mit dem Holz hat. Warten Sie immer zuerst, bis die Kettensäge ihre volle Geschwindigkeit erreicht hat, bevor Sie mit der Säge in das Holz sägen.

FÄLLEN EINES BAUMES

- Wenn zwei oder mehr Personen gleichzeitig ablängen und fällen, sollte zwischen der Fällarbeit und der Ablängarbeit ein Sicherheitsabstand eingehalten werden, der mindestens doppelt so groß ist wie die Höhe des zu fällenden Baumes. Bäume sollten so gefällt werden, dass keine Personen gefährdet werden, öffentliche Stromleitungen getroffen werden oder Sachschäden entstehen können. Wenn ein Baum mit einer öffentlichen Stromleitung in Berührung kommt, muss das Elektrizitätswerk sofort davon in Kenntnis gesetzt werden.
- Der Bediener der Kettensäge sollte sich auf der Bergseite des Geländes aufhalten, da der Baum nach dem Fällen wahrscheinlich bergab rollt oder rutscht.
- Vor Beginn der Sägearbeiten sollte ein Fluchtweg eingeplant und frei gehalten werden. Der Fluchtweg sollte hinter dem Baum schräg zu der erwarteten Fälllinie verlaufen (siehe Abb. R).

R-1	Fällrichtung
R-2	Sicherer Rückzugsweg

- Achten Sie vor dem Fällen auf die natürliche Neigung des Baumes, die Lage größerer Äste und die Windrichtung, um zu beurteilen, in welche Richtung der Baum fallen wird.
- Beseitigen Sie Schmutz, Steine, lose Rinde, Nägel, Heftklammern und Drähte/Seile vom Baum.

Fällkerb-Unterschnitt

Sägen Sie eine Kerbe von einem Drittel des Stammdurchmessers senkrecht zur Fallrichtung (siehe Abb. S). Setzen Sie zuerst den unteren waagrechten Kerbschnitt. Dies hilft, das Einklemmen der Sägekette oder der Führungsschiene zu vermeiden, wenn die zweite Kerbe gesägt wird.

S-1	Fällrichtung	S-3	Fällschnitt
S-2	Kerbe	S-4	Scharnier

Fällschnitt

- Setzen Sie den Fällschnitt mindestens 50 mm oberhalb des waagerechten Fällkerbschnitts an (siehe Abb. S). Führen Sie den Fällschnitt parallel zum waagerechten Fällkerbschnitt. Setzen Sie den Fällschnitt so, dass genug Holz übrig bleibt, über das der Baum wie bei einem Scharnier abknicken kann. Dieser Knickpunkt verhindert, dass sich der Baum dreht und in die falsche Richtung fällt. Nicht durch den Knickpunkt sägen.
- Der Baum beginnt zu fallen, je näher der Fällschnitt dem Knickpunkt kommt. Sollte die Gefahr bestehen, dass der Baum nicht in die gewünschte Richtung fällt oder rückwärts kippt und die Sägekette einklemmt, sägen Sie nicht weiter, bevor der Fällschnitt abgeschlossen ist. Verwenden Sie Keile aus Holz, Kunststoff oder Aluminium, um den Schnitt zu öffnen und den Baum entlang der gewünschten Linie zum Fallen zu bringen.
- Wenn der Baum zu fallen beginnt, ziehen Sie die Kettensäge aus dem Schnitt, stellen Sie den Motor ab, legen die Kettensäge ab und verlassen Sie den Bereich über den geplanten Fluchtweg. Achten Sie auf herunterfallende Äste und auf festen Untergrund.

Entasten eines Baums

Entasten bedeutet das Entfernen der Äste eines gefällten Baums. Beim Entasten werden die größeren Äste unter dem Baum gelassen, damit der Stamm über dem Boden abgestützt bleibt. Entfernen Sie die kleinen Äste in einem Schnitt (siehe Abb. T). Unter Spannung stehende Äste sollten von unten nach oben geschnitten werden, um ein Einklemmen der Kettensäge zu vermeiden.

Ablängen eines Stamms

Ablängen bedeutet das Durchtrennen eines Stamms in mehrere Teile. Dabei ist es besonders wichtig, dass Sie fest stehen und Ihr Gewicht gleichmäßig auf beide Füße verteilt ist. Wenn möglich, sollte der Stamm angehoben

sein und mithilfe von Ästen, Stämmen oder Unterlegkeilen gestützt werden. Um die Sägearbeit zu erleichtern, sollte Sie diese einfachen Anweisungen befolgen.

Wenn der Stamm über seine gesamte Länge gestützt wird (siehe Abb. U1), wird er von der Oberseite her angesägt (Ablängen von oben).

Wenn der Stamm an einem Ende gestützt wird (siehe Abb. U2), sägen Sie ein Drittel des Durchmessers an der Unterseite (Ablängen von unten). Führen Sie dann den letzten Schnitt von oben durch den Stamm, bis er auf den ersten Schnitt trifft.

Wenn der Stamm an beiden Enden gestützt wird (siehe Abb. U3), sägen Sie ein Drittel des Durchmessers auf der Oberseite (Ablängen von oben). Führen Sie dann den letzten Schnitt von unten durch 2/3 des Stamms, bis dieser auf den Schnitt trifft.

Stehen Sie bei Ablängarbeiten an einem Hang immer bergauf vom Stamm (siehe Abb. V).

Um die vollständige Kontrolle beim „Durchsägen“ zu behalten, verringern Sie den Druck beim Sägen kurz vor dem Durchschneiden, ohne beim festen Halt an den Kettensägegriffen nachzugeben. Die Kette nicht den Boden berühren lassen. Warten Sie nach Fertigstellung des Schnitts, bis die Sägekette stillsteht, bevor Sie die Kettensäge bewegen. Stellen Sie stets den Motor ab, bevor Sie sich zum nächsten Baum bewegen.

WARTUNG

⚠️ WARNUNG: Verwenden Sie für die Wartung nur baugleiche Ersatzteile. Die Verwendung anderer Teile kann Unfälle und Schäden am Gerät hervorrufen. Um die Sicherheit und Zuverlässigkeit zu gewährleisten, sollten alle Reparaturen nur von qualifizierten Servicetechnikern durchgeführt werden.

⚠️ WARNUNG: Um schwere Verletzungen zu vermeiden, entfernen Sie immer den Akku aus dem Produkt, bevor Sie das Gerät untersuchen, säubern oder Wartungsarbeiten vornehmen. Ein akkubetriebenes Werkzeug mit eingeletem Akku ist immer einsatzbereit und kann versehentlich in Betrieb gesetzt werden.

⚠️ WARNUNG: Wenn Sie die Kettensäge reinigen, tauchen Sie diese NICHT in Wasser oder andere Flüssigkeiten.

⚠️ WARNUNG: Achten Sie immer darauf, dass Bremsflüssigkeit, Benzin, Mineralöl-Erzeugnisse, Kriechöle usw. nicht mit den Kunststoffteilen in Kontakt kommen. Die Chemikalien können die Kunststoffe angreifen, mechanisch schwächen oder zerstören, was zu

schweren Verletzungen führen kann.

REINIGUNG

- Entfernen Sie nach jedem Gebrauch mithilfe einer weichen Bürste anhaftenden Schmutz von der Kette und Führungsschiene. Wischen Sie die Oberfläche der Kettensäge mit einem sauberen und mit milder Seifenlösung befeuchteten Tuch ab.
- Nehmen Sie die Seitenabdeckung ab und entfernen Sie dann mit einer weichen Bürste Ablagerungen von der Führungsschiene, Sägekette, vom Ritzel und der Seitenabdeckung.
- Nehmen Sie die untere Abdeckung etwa alle 8 Betriebsstunden ab, und entfernen Sie dann mit einer weichen Bürste Verschmutzungen im Inneren der Maschine und auf der Abdeckung (Abb. W).
- Entfernen Sie Holzspäne, Sägestaub und Schmutz aus der Nut der Führungsschiene, wenn Sie die Sägekette wechseln.

WARTUNG DER FÜHRUNGSSCHIENE

Falls die Führungsschiene Verschleißerscheinungen aufweist, montieren Sie sie vom Antriebskopf der Säge ab und bauen Sie sie umgedreht wieder ein (Abb. X1). Dadurch verteilt sich die Abnutzung und die Schiene hält länger.

Die Schiene sollte jeden Tag, an dem das Gerät gebraucht wurde, gereinigt und auf Verschleiß sowie Schäden untersucht werden (Abb. X2). Scharfe Kanten oder Grat an den Schienenstegen sind normale Verschleißerscheinungen an der Schiene. Diese Fehlstellen sollten mit einer Feile geglättet werden, sobald sie sich bemerkbar machen. Eine Schiene mit einem der folgenden Mängel sollte ausgewechselt werden:

- Verschleiß in den Schienenstegen, wodurch sich die Kette seitlich legen kann.
- Verbogene Führungsschiene
- Gesprungene oder gebrochene Stege.
- Gespreizte Stege.

Darüber hinaus ist die Führungsschiene mit einem Zahnrad an der Spitze versehen (Abb. X3).

Das Zahnrad muss wöchentlich mit einer Fettpresse geschmiert werden, um die Nutzungsdauer der Führungsschiene zu verlängern. Schmieren Sie mithilfe einer Fettpresse mit Kettenöl wöchentlich über das Schmierloch (Abb. W4). Wenden Sie die Führungsschiene und prüfen Sie, ob die Schmierlöcher und Kettennut frei von Verunreinigungen sind.

X-1	Schienenstege	X-3	Schmierloch
-----	---------------	-----	-------------

X-2	Zahnrad in der Führungsschienenspitze		
-----	---------------------------------------	--	--

HINWEIS: Verwenden Sie für beste Ergebnisse die von EGO zugelassenen Schmiermittel.

TRANSPORT UND LAGERUNG

Eine laufende Kettensäge darf nicht verstaut oder transportiert werden. Entfernen Sie vor dem Lagern oder Transportieren immer den Akku.

Schieben Sie die Führungsschienen-Schutzhülle über die Führungsschiene und Kette, bevor Sie die Kettensäge einlagern oder transportieren. Nehmen Sie sich vor den scharfen Zähnen der Kette in Acht.

Reinigen Sie die Kettensäge gründlich, bevor Sie sie verstauen. Lagern Sie die Kettensäge im Haus an einem trockenen Ort, der abgeschlossen und/oder für Kinder nicht erreichbar ist.

Halten Sie sie von korrosiven Mitteln wie Gartenchemikalien und Streusalz fern.

SCHUTZ DER UMWELT



Elektrogeräte, alte Akkus und Ladegeräte dürfen nicht im Hausmüll entsorgt werden!

Das Gerät muss einer offiziellen Recycling-Sammelstelle zur getrennten Entsorgung zugeführt werden. Elektrowerkzeuge müssen bei einem umweltfreundlichen Recycling-Betrieb abgegeben werden.

STÖRUNGSBEHEBUNG

DE

⚠️ WARNUNG: Schützen Sie immer Ihre Hände, indem Sie robuste Handschuhe tragen, wenn Sie Wartungsarbeiten an der Sägekette durchführen. Entfernen Sie immer den Akku, wenn Sie die Kettensäge warten oder transportieren.

PROBLEM	URSACHE	LÖSUNG
Motor startet nicht.	<ul style="list-style-type: none"> ■ Der Akku ist nicht an der Kettensäge angeschlossen. ■ Es besteht kein elektrischer Kontakt zwischen Säge und Akkupack. ■ Wenn der Kraftstoffanzeige-Kreis auf dem LC-Display blinkt, ist der Akku leer. ■ Wenn die Überhitzungsanzeige auf dem LC-Display erscheint, ist der Akku oder die Kettensäge zu heiß. ■ Wenn das Symbol für die Kettenbremse auf dem LC-Display erscheint, ist die Kettenbremse aktiviert. ■ Sägereste in der Schienennut ■ Sägereste in der Seitenabdeckung 	<ul style="list-style-type: none"> ■ Akku an die Kettensäge anschließen ■ Akku abnehmen, Kontakte überprüfen und wieder anschließen. ■ Den Akku aufladen. ■ Akku bzw. Kettensäge unter 67°C abkühlen lassen. ■ Ziehen Sie den Kettenbremshebel in Richtung des vorderen Griffs in Betriebsposition. ■ Drücken Sie die Sägekette gegen das Holz und bewegen Sie die Kettensäge vor und zurück, um die Rückstände zu beseitigen. ■ Entfernen Sie den Akku, nehmen Sie dann die Seitenabdeckung ab und entfernen Sie die Rückstände.
Der Drehzahlmodus kann nicht verändert werden.	<ul style="list-style-type: none"> ■ Kettendrehzahlschalter ist durch Fremdkörper blockiert. 	<ul style="list-style-type: none"> ■ Fremdkörper rund um den Kettendrehzahlschalter entfernen.
Die Kettensäge hört während des Betriebs unerwartet auf zu laufen.	<ul style="list-style-type: none"> ■ Die Kettensäge ist überlastet. ■ Wenn die Überhitzungsanzeige auf dem LC-Display erscheint, ist der Akku oder die Kettensäge zu heiß. ■ Sägekette sitzt im Holz fest. ■ Wenn das Symbol der Kettenbremse auf dem LC-Display blinkt, wird die Säge durch das omnidirektionale Kettenbremssystem angehalten. 	<ul style="list-style-type: none"> ■ Verringern Sie die Belastung. ■ Akku bzw. Kettensäge unter 67°C abkühlen lassen. ■ Lassen Sie den Auslöseschalter los; entfernen Sie die Sägekette und Führungsschiene aus dem Holz, starten Sie dann die Kettensäge erneut. ■ Lassen Sie den Auslöseschalter los; entfernen Sie die Sägekette und Führungsschiene aus dem Holz, starten Sie dann die Kettensäge erneut.

PROBLEM	URSACHE	LÖSUNG
Motor läuft, aber die Kette dreht sich nicht.	<ul style="list-style-type: none"> ■ Kette greift nicht in das Antriebsritzel ein. 	<ul style="list-style-type: none"> ■ Montieren Sie die Kette erneut. Achten Sie dabei darauf, dass die Kettenglieder vollständig auf dem Kettenrad sitzen.
Kettenbremse rückt nicht ein	<ul style="list-style-type: none"> ■ Rückstände verhindern die vollständige Bewegung des Kettenbremshebels. ■ Mögliche Fehlfunktion der Kettenbremse 	<ul style="list-style-type: none"> ■ Beseitigen Sie die Schmutzrückstände außen an der Kettenbremse. ■ Wenden Sie sich zwecks Reparatur an den EGO-Kundendienst.
Kettensäge sägt nicht richtig.	<ul style="list-style-type: none"> ■ Ungenügende Kettenspannung ■ Stumpfe Kette ■ Kette verkehrt herum installiert ■ Abgenutzte Kette ■ Trockene oder übermäßig gedehnte Kette ■ Kette nicht in der Nut der Führungsschiene. 	<ul style="list-style-type: none"> ■ Stellen Sie die Kettenspannung gemäß Abschnitt „EINSTELLEN DER KETTENSpannung“. ■ Schärfen Sie die Kette. ■ Montieren Sie die Sägekette wieder. beachten dazu den Abschnitt „MONTIEREN/AUSWECHSELN DER FÜHRUNGSSCHIENE UND DER KETTE“. ■ Wechseln Sie die Kette aus gemäß Abschnitt „MONTIEREN/AUSWECHSELN DER SCHIENE UND DER KETTE“. ■ Überprüfen Sie den Ölstand. Füllen Sie den Öltank nach und wählen Sie ggf. eine höhere Ölmenge. ■ Installieren Sie die Sägekette neu gemäß Abschnitt „MONTIEREN/AUSWECHSELN DER FÜHRUNGSSCHIENE UND DER KETTE“.
Die Kette wird locker oder fällt bei normalem Gebrauch von der Führungsschiene ab.	<ul style="list-style-type: none"> ■ Die Kette wird locker, da sich während des normalen Sägebetriebs die Temperatur der Kette erhöht. ■ Kette greift nicht in das Antriebsritzel ein. 	<ul style="list-style-type: none"> ■ Stellen Sie die Kettenspannung gemäß Abschnitt „EINSTELLEN DER KETTENSpannung“ ein. ■ Installieren Sie die Sägekette neu gemäß Abschnitt „MONTIEREN/AUSWECHSELN DER FÜHRUNGSSCHIENE UND DER KETTE“.
Schiene und Kette laufen heiß und setzen Rauch frei.	<ul style="list-style-type: none"> ■ Wenn die Ölwarnleuchte auf dem LC-Display erscheint, ist der Kettenöltank leer. 	<ul style="list-style-type: none"> ■ Überprüfen Sie den Ölstand. Füllen Sie gegebenenfalls Öl nach.
	<ul style="list-style-type: none"> ■ Schmutzreste in der Nut der Führungsschiene 	<ul style="list-style-type: none"> ■ Entfernen Sie Schmutzreste aus der Nut.
Im LCD-Display wird Ölmenge gemeldet, obwohl genügend Öl im Tank ist. Auch wenn zu wenig Öl im Tank ist, wird kein Ölmenge im LCD-Display gemeldet.	<ul style="list-style-type: none"> ■ Aufgrund von Restöl oder wegen Luft in der Ölleitung hat das Ölerkennungsmodul den Istfüllstand des Öls noch nicht erkannt. ■ Störung der Ölstanderkennungskomponente. 	<ul style="list-style-type: none"> ■ Warten Sie ein paar Minuten, bis das restliche Öl oder die Luft aus der Ölleitung entwichen ist.



GARANTIE

DE

EGO-GARANTIEBEDINGUNGEN

Sämtliche EGO-Garantiebedingungen finden Sie auf der Website egopowerplus.eu.

LISEZ TOUTES LES INSTRUCTIONS !



LISEZ LE MANUEL D'UTILISATION

⚠ AVERTISSEMENT: Pour garantir la sécurité et la fiabilité, toutes les réparations doivent être effectuées par un réparateur qualifié.

⚠ AVERTISSEMENT: Lisez et comprenez impérativement toutes les consignes de sécurité de ce manuel d'utilisation, y compris les symboles de mise en garde de sécurité tels que « **DANGER** », « **AVERTISSEMENT** » et « **ATTENTION** » avant d'utiliser cet outil. Le non-respect de toutes les instructions énumérées ci-dessous peut entraîner un choc électrique, un incendie et / ou des blessures graves.



Alerte de sécurité



Porter une protection oculaire



Porter un casque de protection.



Attention au risque de rebond de la tronçonneuse, éviter d'attaquer le bois avec l'extrémité du guide-chaîne



Informations sur le guide-chaîne



Niveau de puissance acoustique garanti. Émission de bruit dans l'environnement conformément à la directive CE.



Ce produit est conforme aux directives CE applicables.



Bluetooth®

mm

Millimètre

V

Tension

IPX5

Protection contre les jets d'eau

CONSERVEZ TOUTES LES CONSIGNES DE SÉCURITÉ ET TOUTES LES INSTRUCTIONS POUR POUVOIR VOUS Y RÉFÉRER ULTÉRIEUREMENT.

SYMBOLES DE SÉCURITÉ

⚠ AVERTISSEMENT: L'utilisation d'un outil électrique peut provoquer la projection d'objets étrangers dans vos yeux, ce qui peut entraîner des lésions oculaires graves. Avant de commencer à utiliser l'outil électrique, portez toujours un masque de sécurité ou des lunettes de sécurité avec des protections latérales et une visière complète si nécessaire. Nous vous recommandons de porter un masque de sécurité à vision panoramique par-dessus des lunettes de vue ou des lunettes de sécurité standards avec des protections latérales.



Pour réduire le risque de blessures, l'utilisateur doit lire et comprendre le manuel d'utilisation avant d'utiliser ce produit.



Porter une protection auditive



Porter des gants protecteurs



Rebond de nez de guide-chaîne



Utiliser toujours la tronçonneuse en la maintenant avec les deux mains



Les produits électriques usagés ne doivent pas être jetés avec les ordures ménagères. Apportez-les dans un centre de recyclage agréé.



Ce produit est conforme à la législation britannique applicable.



Courant continu

n_0

Régime à vide

./min

Par minute

REMARQUE: La marque et les logos Bluetooth® sont des marques déposées appartenant à Bluetooth SIG, inc. et toute utilisation de ces marques par EGO est sous licence.

SPECIFICATIONS

Tension nominale	56V	
Profondeur de coupe Vitesse de chaîne	30 m/s	
Pas de chaîne	8,255 mm / 0,325"	
Limiteur de profondeur	1,3 mm	
Longueur du guide-chaîne	50 cm	
Modèle de chaîne	AC2035(recommandé)	
	AC1635, AC1835 (Compatible)	
Modèle de chaîne et de guide-chaîne	AK2035 (Recommander)	
	AK1635, AK1835 (Compatible)	
Capacité du réservoir d'huile de chaîne	250 ml	
Poids (sans batterie, chaîne, guide-chaîne, capot latéral, huile ni fourreau)	4.3 kg	
Température d'utilisation recommandée	-15°C-40°C	
Température de stockage recommandée	-20°C-70°C	
Température de charge recommandée	5°C-40°C	
Niveau de puissance acoustique mesuré L_{WA}	102 dB(A) K=2,3 dB(A)	
Niveau de pression acoustique à la position de fonctionnement L_{PA}	92 dB(A) K=3 dB(A)	
Niveau de puissance acoustique garanti L_{WA} (d'après 2000/14/CE)	104 dB(A)	
Vibration a_n	Poignée avant	3,3 m/s ² K=1,5 m/s ²
	Poignée arrière	1,74 m/s ² K=1,5 m/s ²

- La valeur totale des vibrations indiquée a été mesurée selon une procédure conforme à une méthode de test standardisée et peut servir pour comparer différents outils.
- La valeur totale des vibrations déclarée peut également servir pour effectuer une évaluation préliminaire de

l'exposition.

REMARQUE: Le niveau de vibrations lors de l'utilisation réelle de l'outil peut être différent de la valeur déclarée totale en fonction de la manière dont l'outil est utilisé ; Afin de protéger l'opérateur, l'utilisateur doit porter des gants et des protecteurs d'oreilles en conditions réelles d'utilisation.

CONTENU DE L'EMBALLAGE (SCHÉMA A1)

DESCRIPTION

DESCRIPTION DE VOTRE TRONÇONNEUSE (Fig. A1)

1. Chaîne
2. Poignée de frein de chaîne anti-rebond
3. Poignée avant
4. Écran LCD
5. Niveau de vitesse
6. Icône Bluetooth
7. Icône de lampe avant
8. Icône de frein
9. Témoin de haute température
10. Cercle de jauge de carburant
11. Niveau de courant de charge
12. Témoin de faible niveau d'huile
13. Bouton de lampe avant/Bluetooth
14. Bouton d'alimentation en huile
15. Niveau d'alimentation en huile
16. Bouton de déverrouillage
17. Interrupteur-gâchette
18. Poignée arrière
19. Levier de vitesse de la chaîne
20. Bouton de déblocage de la batterie
21. Fenêtre d'observation du niveau d'huile
22. Bouchon du réservoir d'huile
23. Guide-chaîne
24. Trou de lubrification
25. Bouton de tensionnage de la chaîne
26. Capot latéral
27. Écrous de blocage
28. Griffes
29. LAMPES AVANT LED
30. Protège-guide
31. Clé multi-usages

ASSEMBLAGE

ASSEMBLER/REPLACER LE GUIDE ET LA CHAÎNE

AVERTISSEMENT: Réglez la poignée de frein de chaîne anti-rebond sur la position de freinage avant l'assemblage.

1. Posez l'unité moteur de la tronçonneuse sur le côté avec son capot latéral vers le haut (Image B).
2. Retirez le capot latéral en tournant les deux écrous dans le sens inverse des aiguilles d'une montre.
3. Tournez le bouton de tensionnage de la chaîne dans le sens inverse des aiguilles d'une montre pour relâcher la tension de la chaîne.
4. Posez la chaîne en boucle sur une surface plane et redressez tous les maillons (Image C).
5. Insérez les maillons d'entraînement de la chaîne dans le rail du guide et faites une boucle avec la chaîne à l'arrière du guide (Image D).
6. Maintenez la chaîne en position sur le guide et placez la boucle autour du pignon d'entraînement (Image E1).

B-1	Écrous de blocage	D-2	Rail du guide
B-2	Bouton de tensionnage de la chaîne	E-1	Pignon d'entraînement
D-1	Maillons d'entraînement de la chaîne		

REMARQUE: Lorsque vous mettez la chaîne sur le guide-chaîne, assurez-vous, après avoir monté le guide-chaîne sur la tronçonneuse, que les gouges sont orientées dans le sens de rotation indiqué par la flèche sur le carter. Si tel n'est pas le cas, remontez la chaîne sur le guide-chaîne en veillant à ce que les gouges sont orientées dans le sens indiqué par la flèche (Image E2).

7. Remplacez le capot latéral sur le carter de la tronçonneuse et serrez à fond les deux écrous.
8. Faites tourner la chaîne à la main pour vérifier si la chaîne est correctement assemblée sans se coincer. Sinon, remontez la chaîne et le guide.

REMARQUE: Pour prolonger la durée de vie du guide, retournez-le occasionnellement.

RÉGLER LA TENSION DE LA CHAÎNE

- Éteignez le moteur et retirez la batterie de l'outil avant de régler la tension de la chaîne. Tournez le bouton de tensionnage de la chaîne dans le sens des aiguilles d'une montre ou dans le sens inverse pour régler la tension de la chaîne (Image F) jusqu'à ce que la chaîne soit bien calée contre le guide-chaîne, avec les maillons d'entraînement dans la rainure du guide-chaîne.
- Une chaîne froide est correctement tendue quand elle ne pend pas sous le guide et qu'elle est

bien ajustée autour du guide tout en pouvant être tournée à la main sans coincer. La chaîne doit toujours être retendue si les parties plates des maillons d'entraînement sortent du rail du guide.

- Pendant l'utilisation normale, la température de la chaîne augmente. Les maillons d'entraînement d'une chaîne chaude correctement tendue pendent de 1,3 mm environ du rail du guide (Image G).

REMARQUE: Une chaîne neuve a tendance à s'allonger. Contrôlez fréquemment la tension de la chaîne et retendez-la si nécessaire.

REMARQUE: Si la tension de la chaîne est réglée quand elle est chaude, la tension risque de devenir trop importante quand la chaîne refroidit. Contrôlez la tension de la chaîne froide avant l'utilisation suivante.

FONCTIONNEMENT

⚠ AVERTISSEMENT: Veillez à ne pas devenir moins prudent(e) au fur et à mesure que vous vous familiarisez avec cet outil. Gardez à l'esprit qu'une fraction de seconde d'inattention peut suffire pour provoquer des blessures graves.

⚠ AVERTISSEMENT: N'utilisez aucun accessoire ou pièce non recommandé par le fabricant de ce produit. L'utilisation d'accessoires ou de pièces non recommandés peut provoquer des blessures corporelles graves.

⚠ AVERTISSEMENT: Pour prévenir un démarrage accidentel pouvant provoquer des blessures corporelles graves, veillez à ce que la batterie soit toujours retirée quand vous assemblez une pièce, faites un réglage, nettoyez et quand vous n'utilisez pas l'appareil.

Avant chaque utilisation, inspectez le produit complet à la recherche de pièces endommagées, manquantes ou desserrées telles que des vis, écrous, boulons, capuchons, etc. Serrez fermement toutes les fixations et capuchons et ne faites pas fonctionner ce produit tant que toutes les pièces manquantes ou endommagées n'ont pas été remplacées.

APPLICATIONS

Vous pouvez utiliser ce produit pour des travaux de base d'abattage, d'ébranchage, d'élagage et de coupe de bois de chauffage et d'arbres.

REMARQUE: La machine ne doit être utilisée que pour son usage prévu. Toute autre utilisation est considérée comme inappropriée.

AJOUTER DU LUBRIFIANT DE GUIDE ET DE CHAÎNE

AVERTISSEMENT: Ne fumez pas et n'approchez pas de flamme près de l'huile ou de la tronçonneuse. Il peut y avoir des coulures/projections d'huile qui peuvent provoquer un incendie.

FR

REMARQUE: La tronçonneuse n'est pas remplie d'huile lors de son achat. Il faut impérativement remplir son réservoir d'huile avant de l'utiliser. La chaîne est automatiquement lubrifiée avec l'huile pour chaîne pendant l'utilisation.

1. Placez la tronçonneuse sur le côté avec le bouchon du réservoir vers le haut.
2. Nettoyez le bouchon du réservoir d'huile et la zone l'entourant pour éviter que des saletés ne tombent dans le réservoir d'huile.
3. Relevez la plaque semi-circulaire et tournez le bouchon du réservoir d'huile dans le sens antihoraire pour l'enlever (Image H).
4. Versez soigneusement l'huile à chaîne et guide-chaîne dans le réservoir. Remplissez le réservoir jusqu'au goulot de remplissage.
5. Essuyez l'huile en excès et refermez le bouchon.

REMARQUE: Vérifiez souvent le niveau d'huile et remplissez le réservoir quand son niveau descend en dessous du minimum. N'utilisez pas la scie à chaîne si le niveau d'huile n'est pas visible.

INSERTION / RETRAIT DE LA BATTERIE

REMARQUE: Le cercle de la jauge de carburant sur l'écran LCD indique le niveau de charge de la batterie (Fig. A1). Le cercle clignote lorsque la batterie est bientôt épuisée. Rechargez la batterie au maximum avant de l'utiliser pour la première fois.

Utilisez l'onduleur exclusivement les batteries et les chargeurs EGO listés à la Fig.A2.

Rechargez complètement la batterie avant la première utilisation.

Insertion

Alignez les arêtes de la batterie sur les rainures d'assemblage et poussez la batterie vers le bas jusqu'à entendre un déclic (Image I).

Retrait

Appuyez sur le bouton de déblocage de la batterie et retirez la batterie hors de l'outil (Image J).

DÉMARRER/ÉTEINDRE LA TRONÇONNEUSE

REMARQUE: Avant de démarrer la tronçonneuse, contrôlez son niveau d'huile, l'affûtage des gouges de la chaîne et le bon fonctionnement de la poignée de frein de chaîne. Vous devez aussi avoir des appuis des pieds équilibrés et être suffisamment éloigné du sol.

Démarrage de l'outil (Image K)

1. Tirez la poignée de frein de chaîne anti-rebond vers la poignée avant dans la position de travail (Image K).
2. Saisissez la poignée avant avec la main **gauche** et la poignée arrière avec la main **droite**.

AVERTISSEMENT: Pour éviter les blessures, utilisez toujours la tronçonneuse avec la main droite sur la zone de préhension de la poignée arrière (Image L).

3. Tenez enfoncé le bouton de blocage avec le pouce de votre main droite, puis appuyez sur la gâchette avec les doigts de votre main droite pour faire démarrer la tronçonneuse. (Fig. L).

L-1	Zone de préhension
-----	--------------------

4. Relâchez le bouton de déverrouillage et continuez d'appuyer sur la gâchette pour utiliser l'outil.
5. Plus vous enfoncez la gâchette, plus la vitesse augmente. Ajustez la vitesse en fonction de la tâche à accomplir.

AVERTISSEMENT: N'essayez pas de démarrer la tronçonneuse quand la chaîne est dans la coupe.

Arrêt

1. Pour arrêter la tronçonneuse, éloignez-la de l'aire de découpe et relâchez la gâchette.
2. Poussez la poignée de frein de chaîne anti-rebond vers l'avant dans la position de freinage pour engager le frein de chaîne (Image M).

AVERTISSEMENT: Retirez toujours la batterie de la machine pendant les pauses et après avoir terminé le travail.

CHANGEMENT DE MODE DE VITESSE (FIG. M)

La machine dispose de trois modes de vitesse. Chaque mode de vitesse limite la vitesse maximale de la tronçonneuse. Le mode de vitesse change à chaque pression sur le levier de vitesse de la chaîne.

Le niveau de vitesse sur l'écran LCD indique le mode de vitesse actif : une barre pour une vitesse faible, deux

barres pour une vitesse moyenne et trois barres pour une vitesse élevée. Le mode basse vitesse (ECO) permet de mieux contrôler la machine et d'augmenter l'autonomie par charge.

M-1	Niveau de vitesse	M-7	Niveau de courant de charge
M-2	Icône Bluetooth	M-8	Bouton de lampe avant/Bluetooth
M-3	Icône de lampe avant	M-9	Bouton d'alimentation en huile
M-4	Icône de frein	M-10	Levier de vitesse de la chaîne
M-5	Témoin de haute température	M-11	Niveau d'alimentation en huile
M-6	Cercle de jauge de carburant	M-12	Témoin de faible niveau d'huile

REMARQUE: Lorsque vous utilisez une batterie EGO d'intensité nominale de 4,0 Ah ou moins, seul le mode ECO est disponible. L'utilisation d'une batterie EGO de moins de 6,0 Ah ne vous permet pas d'atteindre une vitesse élevée. Pour des performances optimales, nous vous recommandons vivement d'utiliser des batteries EGO totalisant 6,0 Ah ou plus (par ex. BA3360T).

REMARQUE: La tronçonneuse est dotée d'une fonction de mémoire de vitesse de la chaîne. Lorsque la tronçonneuse est mise en marche, le mode de vitesse utilisé la fois précédente est activé.

REMARQUE: L'écran LCD s'allume lorsque l'on appuie sur la gâchette, sur le bouton d'alimentation en huile ou sur le bouton de lampe avant/Bluetooth. Par défaut, l'écran LCD s'éteint automatiquement au bout d'environ 1 seconde d'inactivité.

REMARQUE: Le fait d'actionner le levier de vitesse de la chaîne n'allume pas l'écran LCD.

NIVEAU DE CHARGE (Fig. M)

Le niveau de charge sur le côté droit de l'écran LCD indique la charge actuelle exercée sur la machine. Plus il y a de barres affichées à l'écran, plus la charge exercée sur la machine est importante.

Cette fonctionnalité est principalement destinée aux utilisateurs expérimentés de tronçonneuses à essence qui peuvent ne pas avoir la « sensation » de la façon dont une tronçonneuse à batterie se comporte sous différentes charges. Elle aide les utilisateurs à surveiller la charge de travail afin d'éviter un fonctionnement

prolongé sous une charge lourde, qui peut entraîner l'arrêt de la tronçonneuse au cours du travail pour cause de surchauffe.

TÉMOIN DE HAUTE TEMPÉRATURE (Fig. M)

Le témoin de haute température s'allume lorsque la température de la machine dépasse 90°C (194°F) ou lorsque la température de la batterie dépasse 70°C (158°F) au cours du travail. Le circuit de protection thermique arrête immédiatement la machine pour éviter les dommages de surchauffe. Relâchez la gâchette et attendez que la machine surchauffée ou la batterie refroidisse et que le témoin de haute température s'éteigne, puis redémarrez la machine.

ICÔNE DE FREIN (Fig. M)

L'icône de frein apparaît sur l'écran LCD lorsque la palette de frein est en position de frein.

L'icône de frein clignote lorsque le système de freinage omnidirectionnel arrête la tronçonneuse. Voir le chapitre suivant pour des informations détaillées.

SYSTEME DE FREIN OMNI-DIRECTIONNEL (Fig. N1 et N2)

Le système de frein omni-directionnel n'est pas prévu pour servir de remplacement au frein de chaîne standard/traditionnel. L'utilisateur ne doit jamais compter sur ce système lorsque la tronçonneuse est en fonctionnement pour se protéger contre les rebonds. Veuillez toujours suivre les consignes de sécurité concernant l'atténuation de l'effet rebond dans la rubrique d'avertissement du présent manuel.

Lorsque le système de frein omni-directionnel est activé et qu'il arrête la tronçonneuse, l'icône de frein clignote sur l'écran LCD (Fig. M). Relâchez l'interrupteur-gâchette, retirez la chaîne et le guide hors du bois, puis redémarrez la tronçonneuse.

REMARQUE: Les capteurs ne détectent un mouvement soudain de la tronçonneuse que dans le plan du guide (fig. N1). Les capteurs ne détectent pas un mouvement soudain de la tronçonneuse sur le plan latéral (fig. N2) (c-à-d perpendiculairement au plan du guide).

NIVEAU D'ALIMENTATION EN HUILE ET TÉMOIN DE FAIBLE NIVEAU D'HUILE (Fig. M)

La machine lubrifie automatiquement la chaîne. Cette tronçonneuse vous permet de modifier le débit d'huile à chaque pression sur le bouton d'alimentation en huile.

REMARQUE: Le débit d'huile ne peut être modifié que lorsque la chaîne ne fonctionne pas.

Le niveau d'alimentation en huile sur l'écran LCD indique le débit d'huile. Une barre pour un faible débit, deux barres pour un débit moyen et trois barres pour un débit élevé.

FR

Choisissez un débit plus élevé pour une vitesse de chaîne plus rapide. Si la chaîne s'assèche pendant le travail, arrêtez le moteur et choisissez un débit d'huile plus élevé.

Lorsque le niveau d'huile est bas, le témoin de faible niveau d'huile situé au-dessus des barres d'alimentation en huile apparaît sur l'écran LCD et le débit d'huile ralentit. Arrêtez la tronçonneuse et remplissez le réservoir d'huile en suivant le chapitre **REMPLISSAGE DU RÉSERVOIR D'HUILE POUR CHAÎNE ET GUIDE-CHAÎNE**.

Après avoir rempli le réservoir d'huile, faites fonctionner la tronçonneuse pendant environ 10 secondes pour permettre au système de lubrification automatique de commencer à fonctionner ; le témoin devrait disparaître de l'écran LCD.

REMARQUE: Si le témoin est toujours sur l'écran LCD après les étapes ci-dessus, le système est peut-être endommagé. Arrêtez d'utiliser la tronçonneuse et contactez un centre de service agréé EGO pour la faire réparer.

LAMPE AVANT LED (Image O)

La lampe avant LED est située sur le devant du carter de la tronçonneuse. La lampe fournit un éclairage pour une meilleure visibilité et dispose de 2 niveaux de luminosité.

Pour allumer la lampe, appuyez une fois sur le bouton de lampe avant/Bluetooth (Image M). La lampe s'allume en mode basse luminosité et l'icône de basse luminosité apparaît sur l'écran LCD. Réappuyez sur le bouton de lampe avant/Bluetooth pour passer au niveau de luminosité élevé et l'icône de haute luminosité s'affiche sur l'écran LCD.

Pour éteindre la lampe, appuyez une troisième fois sur le bouton de lampe avant/Bluetooth et l'icône de la lampe disparaît de l'écran LCD.

0-1	Icône de faible luminosité de la lampe	0-3	LAMPES AVANT LED
0-2	Icône de haute luminosité de la lampe		

TECHNOLOGIE DE COMMUNICATION

Pour plus d'informations sur notre gamme complète de produits et services connectés, y compris les instructions de connexion, veuillez scanner le code QR ci-dessous ou consultez www.egopowerplus.eu/connect.



PRISE ADÉQUATE DES POIGNÉES (FIG. P1)

- Portez des gants antidérapants afin de maximiser la prise et la protection.
- Avec la tronçonneuse posée sur une surface plane et rigide, saisissez-la fermement des deux mains.
- Saisissez toujours la poignée avant avec la main gauche et la poignée arrière avec la main droite.
- Les doigts doivent enserrer les poignées avec le pouce placé sous la poignée avant.

AVERTISSEMENT: N'utilisez jamais de prise inversée (les bras croisés), ou toute autre position qui placerait votre corps ou votre bras dans l'axe de la chaîne.

AVERTISSEMENT: Ne pressez pas la gâchette avec votre main gauche en tenant la poignée avant avec votre main droite. Ne placez jamais une partie de votre corps dans l'axe de la chaîne lorsque vous utilisez une tronçonneuse (Fig. P2).

POSTURE DE COUPE ADÉQUATE (FIG. Q)

- Les deux pieds doivent se trouver sur un sol ferme avec le poids également réparti sur les deux pieds.
- Le bras gauche doit être droit avec le coude bloqué. Cela aide à résister aux forces générées par un rebond.
- Votre corps doit toujours être positionné sur la gauche de l'alignement de la chaîne.

INSTRUCTIONS CONCERNANT LES TECHNIQUES APPROPRIÉES POUR L'ABATTAGE, L'ÉBRANCHAGE ET LES COUPES TRANSVERSALES BASIQUES.

AVERTISSEMENT: Ayez toujours des appuis des pieds sûrs et tenez toujours la tronçonneuse fermement à deux mains quand le moteur est en marche.

AVERTISSEMENT: Quand la chaîne est arrêtée par un pincement pendant la coupe, relâchez l'interrupteur-gâchette, retirez la chaîne et le guide hors du bois, puis redémarrez la tronçonneuse.

AVERTISSEMENT: Ne tirez pas la chaîne à la

main quand elle est coincée par des sciures. Cela peut provoquer des blessures graves si la tronçonneuse redémarre accidentellement. Appuyez la chaîne contre le bois et déplacez la tronçonneuse d'avant en arrière pour enlever les débris. Retirez toujours la batterie avant une opération de nettoyage. Portez des gants protecteurs pour travaux lourds pour manipuler la chaîne.

⚠ AVERTISSEMENT: Ne démarrez jamais la tronçonneuse quand elle est en contact avec le bois. Attendez toujours que la chaîne ait atteint sa pleine vitesse avant de la mettre en contact avec le bois.

ABATTRE UN ARBRE

- Quand les opérations d'abattage et de débitage sont effectuées par plusieurs personnes en même temps, l'opération d'abattage doit être éloignée des opérations de débitage d'une distance d'au moins deux fois la hauteur de l'arbre à abattre. Les arbres ne doivent pas être abattus d'une manière pouvant mettre en danger une personne, percuter des lignes électriques ou provoquer des dommages matériels. Si l'arbre est en contact avec une ligne électrique, le fournisseur d'électricité doit en être informé immédiatement.
- L'opérateur de la tronçonneuse doit rester en amont sur la pente, car l'arbre peut rouler ou glisser vers le bas de la pente après avoir été abattu.
- Une voie d'issue doit être planifiée et dégagée autant que nécessaire avant de commencer les coupes. La voie d'issue doit se prolonger vers l'arrière et être diamétralement opposée à la ligne de chute prévue (Image R).

R-1	Direction d'abattage
R-2	Chemin de repli sécuritaire

- Avant de commencer l'opération d'abattage, prenez en compte l'inclinaison naturelle de l'arbre, l'emplacement des plus grandes branches et la direction du vent pour évaluer le sens de chute probable de l'arbre.
- Enlevez la terre, les morceaux d'écorce mal fixés, les pierres, les clous, les agrafes et les fils de fer de l'arbre.

Entaille inférieure

Effectuez une entaille sur 1/3 du diamètre de l'arbre, perpendiculairement au sens de la chute (Image S). Effectuez la coupe basse horizontale en premier. Cela aide

à éviter le pincement de la chaîne ou du guide lors de la réalisation de la deuxième coupe oblique.

S-1	Sens de la chute	S-3	Trait d'abattage
S-2	Encoche	S-4	Charnière

FR

Coupe arrière d'abattage

- Le trait d'abattage doit être situé à au moins 50 mm au-dessus de l'entaille horizontale (Image S). Effectuez la coupe arrière d'abattage parallèlement à la première coupe horizontale. Effectuez la coupe arrière d'abattage en laissant une partie suffisante du tronc non coupée pour servir de charnière. La charnière de bois a pour but d'éviter que l'arbre ne pivote et ne tombe du mauvais côté. Ne coupez pas la partie du tronc servant de charnière.
- À mesure que la coupe se rapproche de la partie du tronc servant de charnière, l'arbre doit normalement commencer à tomber. S'il y a la moindre possibilité que l'arbre ne tombe pas dans la direction désirée ou qu'il bascule en arrière en bloquant la chaîne, stoppez la coupe arrière d'abattage avant de la terminer et utilisez des cales en bois, plastique ou aluminium pour ouvrir la coupe et faire tomber l'arbre dans le sens désiré.
- Quand l'arbre commence à tomber, retirez la tronçonneuse de la coupe, éteignez le moteur et posez la tronçonneuse, puis quittez la zone par la voie d'issue planifiée. Prenez garde à la chute de branches surplombantes et faites attention là où vous mettez les pieds.

Ébrancher un arbre

L'ébranchage consiste à couper les branches d'un arbre abattu. Pendant l'ébranchage, laissez les grosses branches inférieures pour qu'elles soutiennent le tronc au-dessus du sol. Retirez les petites branches en une seule coupe (Image T). Les branches sous tension doivent être coupées du bas vers le haut pour éviter que la chaîne et le guide-chaîne ne soient coincés.

Débiter un tronc

Le débitage consiste à découper un tronc en rondins. Il faut impérativement que vous ayez des appuis des pieds stables et que votre poids soit uniformément réparti sur vos deux pieds. Dans la mesure du possible, le tronc doit être surélevé et soutenu par des branches, des troncs ou des billots. Respectez les instructions simples facilitant la coupe.

Si la grume est appuyée sur toute sa longueur, tronçonnez-la par le dessus (Image U1).

Si la grume n'est soutenue que d'une extrémité (Image U2), coupez-en un tiers du diamètre par le dessous. Puis terminez en faisant une coupe par le dessus jusqu'à atteindre la première coupe.

Si la grume est soutenue aux deux extrémités (Image U3), coupez-en un tiers du diamètre par le dessus. Puis terminez la coupe en effectuant une coupe par le dessous pour couper les 2/3 restants jusqu'à atteindre la première coupe.

Lorsque vous tronçonnez sur une pente, placez-vous en amont de la grume (Image V).

Pour maintenir un contrôle total lors d'une coupe de part en part, arrêtez d'exercer une pression quand vous approchez de la fin de la coupe sans relâcher votre prise sur les poignées de la tronçonneuse. Veillez à ce que la chaîne n'entre pas en contact avec le sol. Une fois la coupe terminée, attendez l'arrêt complet de la chaîne avant de déplacer la tronçonneuse. Éteignez toujours le moteur avant de vous déplacer d'un arbre à l'autre.

ENTRETIEN

⚠ AVERTISSEMENT: La machine ne doit être réparée qu'avec des pièces de rechange identiques. L'utilisation de toute autre pièce peut créer un danger ou détériorer l'outil. Pour garantir la sécurité et la fiabilité, toutes les réparations doivent être effectuées par un réparateur qualifié.

⚠ AVERTISSEMENT: Pour vous prémunir contre des blessures graves, retirez toujours la batterie de la tronçonneuse avant toute opération d'inspection, de nettoyage ou d'entretien. Un outil alimenté par batterie avec la batterie insérée est toujours sous tension et peut démarrer accidentellement.

⚠ AVERTISSEMENT: Lors du nettoyage de la tronçonneuse, NE L'IMMERGEZ PAS dans de l'eau ni dans aucun autre liquide.

⚠ AVERTISSEMENT: Veillez à ce que les pièces en plastique de l'outil n'entrent jamais en contact avec du liquide de frein, de l'essence, des produits à base de pétrole, du dégrissant, etc. Les produits chimiques peuvent endommager, fragiliser ou détruire le plastique, ce qui peut provoquer des blessures corporelles graves.

NETTOYAGE

- Après chaque utilisation, enlevez les débris de la chaîne et du guide avec une brosse souple. Essuyez la surface de la tronçonneuse avec un chiffon propre humidifié avec de l'eau et du savon doux.

- Retirez le capot latéral, puis enlevez les débris du guide, de la chaîne, du pignon d'entraînement et du capot latéral avec une brosse souple.
- Retirez le capot inférieur environ toutes les 8 heures de fonctionnement, puis utilisez une brosse à poils souples pour enlever les déchets à l'intérieur de la machine et sur le couvercle (Fig. W).
- Enlevez tous les copeaux de bois, les sciures et les saletés du rail du guide quand vous changez la chaîne.

ENTRETIEN DU GUIDE-CHAÎNE

Lorsque le guide-chaîne présente des signes d'usure, démontez-le de l'unité moteur de la tronçonneuse et retournez-le avant de le remonter (Fig. X1). Ceci permet de répartir l'usure pour une durée de vie maximale du guide-chaîne.

Le guide doit être nettoyé chaque jour d'utilisation et inspecté pour contrôler son usure et sa détérioration (Fig. X2). L'apparition de bavures et l'amincissement du guide font partie du processus normal d'usure du guide. Ces défauts doivent être lissés avec une lime dès leur apparition. Un guide présentant l'un des défauts suivants doit être changé.

- Usure interne du rail du guide permettant à la chaîne de se coucher sur le côté.
- Guide tordu.
- Rail fissuré ou cassé.
- Rail élargi.

De plus, le nez du guide comporte un pignon de renvoi (Fig. X3).

Ce pignon doit être lubrifié toutes les semaines avec une seringue à graisse pour prolonger la durée de vie du guide. Au moyen de la seringue, injectez l'huile de la chaîne dans le trou de lubrification, une fois par semaine (Fig. W4). Retournez le guide et vérifiez que les trous de lubrification et le rail sont exempts de saletés.

X-1	Rails du guide	X-3	Trou de lubrification
X-2	Pignon de renvoi (dans le nez du guide)		

REMARQUE: Utilisez les lubrifiants autorisés par EGO pour obtenir les meilleurs résultats.

TRANSPORT ET RANGEMENT

Ne rangez pas et ne transportez pas la tronçonneuse quand elle est en marche. Retirez toujours la batterie de

l'outil avant de ranger ou de transporter l'outil.

Recouvrez toujours le guide et la chaîne avec le protège-guide avant de ranger ou de transporter la tronçonneuse. Faites attention pour éviter qu'il ne soit endommagé par les gouges de la chaîne.

Nettoyez soigneusement la tronçonneuse avant de la ranger. Rangez la tronçonneuse en intérieur, dans un endroit sec verrouillé et/ou hors de portée des enfants.

Veillez à ce qu'il reste à l'écart de produits corrosifs, par exemple les produits chimiques de jardinage et les sels de déverglacage.

FR

PROTECTION DE L'ENVIRONNEMENT



Ne jetez pas les équipements électriques, les batteries et les chargeurs usagés avec les ordures ménagères !

Apportez ce produit chez un recycleur agréé et rendez-le disponible pour une collecte séparée. Les outils électriques doivent être amenés dans un centre de recyclage pour assurer le respect de l'environnement.

GUIDE DE DÉPANNAGE

⚠ AVERTISSEMENT: Protégez toujours vos mains en portant des gants pour travaux lourds pendant toutes les opérations d'entretien de la tronçonneuse. Retirez toujours la batterie pendant l'entretien ou le transport de la tronçonneuse.

FR

PROBLÈME	CAUSE	SOLUTION
Le moteur ne fonctionne pas.	<ul style="list-style-type: none"> ■ La batterie n'est pas insérée dans la tronçonneuse. ■ Il n'y a pas de contact électrique entre la tronçonneuse et la batterie. ■ Si le cercle de la jauge de carburant sur l'écran LCD clignote, cela veut dire que la batterie est épuisée. ■ Si le témoin de haute température apparaît sur l'écran LCD, la batterie ou la tronçonneuse est trop chaude. ■ Si l'icône de frein de chaîne apparaît sur l'écran LCD, le frein est enclenché. ■ Il y a des débris dans le rail du guide. ■ Il y a des débris dans le capot latéral. 	<ul style="list-style-type: none"> ■ Insérez la batterie dans la tronçonneuse. ■ Retirez la batterie, inspectez les contacts, puis réinsérez la batterie. ■ Rechargez le bloc de batterie. ■ Laissez la batterie ou la tronçonneuse refroidir jusqu'à ce que sa température devienne inférieure à 67°C. ■ Tirez la poignée de frein de chaîne en arrière vers la poignée avant jusqu'à la position de travail. ■ Appuyez la chaîne contre le bois et déplacez la tronçonneuse d'avant en arrière pour enlever les débris. ■ Retirez la batterie, puis retirez le capot latéral et enlevez les débris.
Le mode de vitesse ne peut pas être changé.	<ul style="list-style-type: none"> ■ Le levier de vitesse de la chaîne est bloqué par des résidus. 	<ul style="list-style-type: none"> ■ Enlevez les résidus autour du levier de vitesse de la chaîne.
La tronçonneuse s'arrête de manière inattendue au cours du travail.	<ul style="list-style-type: none"> ■ Le moteur est en surcharge. ■ Si le témoin de haute température apparaît sur l'écran LCD, la batterie ou la tronçonneuse est trop chaude. ■ La chaîne est coincée dans le bois. ■ Si l'icône de frein de chaîne clignote sur l'écran LCD, la scie est arrêtée par le système de frein omnidirectionnel. 	<ul style="list-style-type: none"> ■ Diminuez la charge. ■ Laissez la batterie ou la tronçonneuse refroidir jusqu'à ce que sa température devienne inférieure à 67°C. ■ Relâchez l'interrupteur-gâchette, retirez la chaîne et le guide hors du bois, puis redémarrez la tronçonneuse. ■ Relâchez l'interrupteur-gâchette, retirez la chaîne et le guide hors du bois, puis redémarrez la tronçonneuse.
Le moteur fonctionne, mais la chaîne ne tourne pas.	<ul style="list-style-type: none"> ■ La chaîne n'est pas engagée dans le pignon d'entraînement. 	<ul style="list-style-type: none"> ■ Réinstallez la chaîne et veillez à ce que ses maillons d'entraînement soient complètement engagés sur le pignon.

PROBLÈME	CAUSE	SOLUTION
Le frein de chaîne ne s'enclenche pas.	<ul style="list-style-type: none"> ■ Des débris empêchent le mouvement complet du frein de chaîne. ■ Dysfonctionnement possible du frein de chaîne. 	<ul style="list-style-type: none"> ■ Enlevez les débris du mécanisme externe du frein de chaîne. ■ Contactez le service client EGO pour la réparation.
La tronçonneuse ne coupe pas bien.	<ul style="list-style-type: none"> ■ La chaîne n'est pas assez tendue. ■ La chaîne est émoussée. ■ La chaîne a été assemblée à l'envers. ■ La chaîne est usée. ■ La chaîne est sèche ou excessivement tendue. ■ La chaîne n'est pas dans le rail du guide. 	<ul style="list-style-type: none"> ■ Réajustez la tension de la chaîne en consultant la section : « RÉGLER LA TENSION DE LA CHAÎNE ». ■ Aiguissez la chaîne. ■ Réassemblez la chaîne en procédant comme indiqué dans la rubrique « ASSEMBLER/REEMPLACER LE GUIDE ET LA CHAÎNE ». ■ Remplacez la chaîne en respectant les instructions du chapitre « ASSEMBLER/REEMPLACER LE GUIDE ET LA CHAÎNE ». ■ Contrôlez le niveau d'huile. Remplissez le réservoir d'huile et choisissez un volume d'huile plus élevé si nécessaire. ■ Réinstallez la chaîne en respectant les instructions du chapitre « ASSEMBLER/REEMPLACER LE GUIDE ET LA CHAÎNE ».
La chaîne est lâche ou ne reste pas sur le guide lors d'une utilisation normale.	<ul style="list-style-type: none"> ■ Lors d'une utilisation normale, la chaîne devient lâche avec l'augmentation de la température. ■ La chaîne n'est pas engagée dans le pignon d'entraînement. 	<ul style="list-style-type: none"> ■ Augmentez la tension de la chaîne en procédant comme indiqué dans la rubrique « RÉGLER LA TENSION DE LA CHAÎNE ». ■ Réinstallez la chaîne en respectant les instructions du chapitre « ASSEMBLER/REEMPLACER LE GUIDE ET LA CHAÎNE ».
La chaîne et le guide chauffent et fument.	<ul style="list-style-type: none"> ■ Si le témoin de faible niveau d'huile apparaît sur l'écran LCD, le réservoir d'huile est vide. ■ Il y a des débris dans le rail du guide. 	<ul style="list-style-type: none"> ■ Contrôlez le niveau d'huile. Remplissez le réservoir d'huile si nécessaire. ■ Enlevez les débris du rail du guide.
L'indicateur de manque d'huile s'affiche sur l'écran LCD alors que le réservoir contient suffisamment d'huile. Ou même si le réservoir d'huile manque d'huile, l'écran LCD n'affiche pas l'indicateur de manque d'huile.	<ul style="list-style-type: none"> ■ Le détecteur de niveau d'huile n'a pas encore détecté le véritable niveau d'huile en raison de la présence d'air ou d'huile résiduelle dans le tube à huile. ■ Défaillance du détecteur de niveau d'huile. 	<ul style="list-style-type: none"> ■ Attendez quelques minutes, le temps que l'air ou l'huile résiduelle ressorte du tube à huile.



GARANTIE

POLITIQUE DE GARANTIE EGO

FR

Rendez-vous sur le site web egopowerplus.eu pour consulter l'intégralité des conditions de la politique de garantie EGO.

¡LEA TODAS LAS INSTRUCCIONES!



LEA EL MANUAL DEL USUARIO

⚠ ADVERTENCIA: Para garantizar la seguridad y fiabilidad de la herramienta, las reparaciones debe realizarlas únicamente un técnico cualificado.

⚠ ADVERTENCIA: Antes de utilizar esta herramienta, asegúrese de haber leído y entendido perfectamente todas las instrucciones que aparecen en este manual del usuario, incluidos todos los símbolos de aviso sobre seguridad, como «PELIGRO», «ADVERTENCIA» y «PRECAUCIÓN». Si no se observan todas las instrucciones que se indican a continuación existe riesgo de incendio, electrocución y lesiones graves.



Aviso de seguridad



Utilizar protección ocular



Utilizar protección para la cabeza



Tener en cuenta en retroceso de la motosierra y evitar el contacto con la punta de la espada



Observe la información referente a la espada



Nivel de potencia acústica garantizado. La emisión de ruido al medio ambiente cumple la directiva de la Comunidad Europea.



Este producto está en conformidad con las directivas de la CE aplicables.



Bluetooth®

mm Milímetro

V Tensión

IPX5 Protección contra chorros de agua

CONSERVE TODAS LAS INSTRUCCIONES Y ADVERTENCIAS PARA PODER CONSULTARLAS EN EL FUTURO.

SÍMBOLOS DE SEGURIDAD

⚠ ADVERTENCIA: Cuando se utilizan herramientas eléctricas, es posible que salgan despedidos objetos que podrían causar lesiones oculares graves. Antes de empezar a usar herramientas eléctricas, póngase siempre gafas de seguridad, gafas con cristales anti-impacto que cuenten con pantallas de protección lateral, o bien una máscara facial que proteja completamente la cara. Recomendamos usar una máscara de seguridad de amplia visión que pueda utilizarse encima de gafas graduadas, o bien gafas normales de seguridad equipadas con pantallas laterales.



Para reducir el riesgo de lesiones, el usuario debe leer y comprender el manual del usuario antes de utilizar este producto.



Utilizar protección auditiva



Utilizar guantes de protección



Retroceso por contacto de la punta de la espada



Usar siempre la motosierra con las dos manos



Los productos eléctricos no deben eliminarse con la basura doméstica. Lívelos a un centro de reciclaje autorizado.



Este producto está en conformidad con la legislación aplicable del Reino Unido.



Corriente continua

n_0 Velocidad sin carga

./min Por minuto

NOTA: La marca y los logotipos de Bluetooth® son marcas comerciales registradas propiedad de Bluetooth SIG, inc. y cualquier uso de tales marcas por parte de EGO está bajo licencia.

ESPECIFICACIONES

Tensión nominal	56V	
Máx. Velocidad de la cadena	30 m/s	
Paso de cadena	8.255 mm / 0.325"	
Calibre de la cadena	1.3 mm	
Longitud de la espada	50 cm	
Modelo de cadena de la sierra	AC2035 (recomendado)	
	AC1635, AC1835 (Compatible)	
Modelo de cadena de la sierra y modelo de espada	AK2035(recomendado)	
	AK1635, AK1835 (Compatible)	
Capacidad del depósito de aceite de la cadena	250 ml	
Peso (sin batería, cadena de sierra, espada, cubierta lateral, aceite y funda de cadena)	4.3 kg	
Temperatura de funcionamiento recomendada	-15°C-40°C	
Temperatura de almacenamiento recomendada	-20°C-70°C	
Temperatura de carga recomendada	5°C-40°C	
Nivel de potencia acústica medido L_{WA}	102 dB(A) K=2,3 dB(A)	
Nivel de presión acústica medido en la posición del usuario L_{PA}	92 dB(A) K=3 dB(A)	
Nivel de potencia acústica garantizado L_{WA} (medido según 2000/14/CE)	104 dB(A)	
Nivel de vibraciones a_h	Empuñadura delantera	3,3 m/s ² K=1,5 m/s ²
	Empuñadura trasera	1,74 m/s ² K=1,5 m/s ²

- El valor de vibración total ha sido medido de acuerdo con el método de prueba estándar y se puede utilizar para comparar herramientas.
- El valor total de vibración declarado se puede usar además en una evaluación preliminar del grado de exposición.

AVISO: Las vibraciones generadas durante el uso real de la herramienta eléctrica pueden diferir del valor declarado en función de la manera en que se utilice. Como protección, el usuario debería utilizar guantes y protectores auditivos en condiciones reales de uso.

LISTA DE CONTENIDO (FIG. A1)

DESCRIPCIÓN

FAMILIARÍCESE CON SU MOTOSIERRA (fig. A1)

- Cadena de la sierra
- Palanca de freno de retroceso de la cadena
- Empuñadura delantera
- Pantalla LCD
- Nivel de velocidad
- Símbolo de Bluetooth
- Icono del faro
- Icono del freno
- Indicador de alta temperatura
- Círculo indicador de energía
- Nivel actual de carga
- Indicador de nivel bajo de aceite
- Botón Faro/Bluetooth
- Botón de alimentación de aceite
- Nivel de salida de aceite
- Botón de desbloqueo
- Gatillo interruptor
- Empuñadura trasera
- Variador de velocidad de la cadena
- Botón de liberación de la batería
- Mirilla de nivel de aceite
- Tapón del depósito de aceite
- Espada
- Orificio de lubricación
- Perno de tensado de la cadena
- Tapa lateral
- Contratuercas
- Espigas del parachoques
- Faro tipo LED
- Funda de la espada
- Llave múltiple

MONTAJE

MONTAJE Y SUSTITUCIÓN DE LA ESPADA Y LA CADENA

⚠️ ADVERTENCIA: Ajuste la palanca del freno de cadena/guarda de protección de mano a la posición de frenado antes del montaje.

- Ponga de lado el cabezal de la motosierra, con la tapa lateral hacia arriba (fig. B).

2. Retire la tapa lateral girando las dos contratuercas en sentido antihorario.
3. Gire el perno de tensado de la cadena en sentido antihorario para aflojar la tensión de la cadena.
4. Coloque la cadena cerrada de motosierra sobre una superficie plana y enderece cualquier doblez (fig. C).
5. Coloque los eslabones de arrastre de la cadena en el carril de la espada, y haga un bucle con la cadena en la parte trasera de la espada (fig. D).
6. Sujete la cadena en su sitio en la espada y pase el bucle alrededor del piñón de la sierra (fig. E1).

B-1	Contratuercas	D-2	Carril de la espada
B-2	Perno de tensado de la cadena	E-1	Piñón de arrastre
D-1	Eslabones de arrastre de la cadena		

AVISO: Cuando enrolle la cadena en la espada, asegúrese de que, después de montar la espada en la sierra, coincidan la orientación del cortador con el icono del mismo y la flecha de sentido de rotación de la carcasa. Si están orientadas en direcciones opuestas, vuelva a montar la cadena de la sierra en la espada, con los elementos de corte orientados en la misma dirección (fig. E2).

7. Vuelva a colocar la cubierta lateral en la carcasa de la motosierra y apriete completamente las dos contratuercas.
8. Gire la cadena con la mano para comprobar si está bien montada y no se atasca. De lo contrario, vuelva a montar la cadena y la espada.

AVISO: Para prolongar la vida útil de la espada, gírela de vez en cuando.

CÓMO AJUSTAR DE LA TENSIÓN DE LA CADENA

- Pare el motor y quite la batería antes de ajustar la tensión de la cadena. Gire el perno de tensado de la cadena en sentido horario o antihorario para ajustar la tensión de la cadena (fig. F) hasta que la cadena quede bien asentada contra la espada con los eslabones de arrastre en la ranura de la espada.
- Una cadena fría estará correctamente tensada cuando no haya holgura en la parte inferior de la espada y la cadena quede ajustada en el carril, pero pueda seguir girándose a mano sin atorarse. La

cadena debe volver a tensarse cada vez que las caras planas de los eslabones de arrastre no se asienten en el carril de la espada.

- La temperatura de la cadena aumenta durante el uso normal de la sierra. Los eslabones de una cadena caliente correctamente tensada colgarán aproximadamente 1,3 mm del carril de la espada (fig. G).

AVISO: Las nuevas cadenas tienden a estirarse al cabo de cierto tiempo. Compruebe la tensión de la cadena con frecuencia y ténsela cuando sea necesario.

AVISO: Tensar una cadena mientras está caliente puede hacer que quede demasiado tensada una vez que se haya enfriado. Compruebe la tensión en frío antes de su próxima utilización.

FUNCIONAMIENTO

⚠ ADVERTENCIA: No permita que el hecho de estar familiarizado con el producto le haga descuidarse. Recuerde que cualquier distracción de una fracción de segundo es suficiente para provocar lesiones graves.

⚠ ADVERTENCIA: No utilice piezas o accesorios no recomendados por el fabricante de este producto. La utilización de piezas o accesorios no recomendados puede provocar lesiones graves.

⚠ ADVERTENCIA: Para evitar cualquier puesta en marcha accidental que pudiera causar lesiones físicas graves, asegúrese siempre de quitar la batería de la herramienta antes de proceder al montaje de cualquier pieza, de hacer ajustes o de limpiar la herramienta, así como cuando no la utilice.

Antes de cada uso, examine todo el producto para ver si hay piezas dañadas, extraviadas o sueltas, como tornillos, tuercas, pernos, tapones, etc. Apriete bien todas las sujeciones y los tapones y no ponga en marcha el producto hasta haber reemplazado todas las piezas que falten o que estén dañadas.

APLICACIONES

Podrá utilizar este producto para operaciones básicas de la tala, desrame, poda, corte de leña y árboles.

AVISO: La máquina debe utilizarse únicamente para el fin previsto. Cualquier otro uso se considerará uso indebido.

LLENAR CON LUBRICANTE PARA ESPADA Y CADENA

⚠ ADVERTENCIA: No fume ni acerque llamas vivas ni

chispas cerca del aceite o la motosierra. El aceite podría derramarse y provocar un incendio.

AVISO: La motosierra no se suministra llena de aceite. Es esencial llenar de aceite el depósito antes de utilizarla. La cadena se lubrica de forma automática con aceite para cadenas durante el funcionamiento.

ES

1. Ponga de lado la motosierra, con el tapón del depósito hacia arriba.
2. Limpie el tapón del depósito de aceite y la zona a su alrededor para asegurarse de que no penetre suciedad en el depósito.
3. Levante la placa semicircular y quite el tapón del depósito de aceite girándolo en sentido antihorario (fig. H).
4. Con cuidado, vierta aceite para cadenas y espadas en el depósito. Llene el depósito hasta alcanzar la parte inferior de la boca de llenado.
5. Limpie con un paño el exceso de aceite y vuelva a poner el tapón.

AVISO: Compruebe con frecuencia el nivel de aceite y rellénelo cuando esté por debajo de la línea del mínimo. Nunca utilice la motosierra si no puede verse aceite por la mirilla.

INSTALAR/QUITAR LA BATERÍA

NOTA: El círculo del indicador de combustible que figura en la pantalla LCD indica el nivel de carga de la batería (fig. A1). El círculo parpadeará cuando la carga de la batería esté a punto de agotarse. Cargue siempre la batería completamente antes del primer uso.

Utilice únicamente los modelos de baterías y cargadores de EGO indicados en la fig. A2.

Cargue totalmente la batería antes de usarla por primera vez.

Instalación

Alinee las nervaduras de la batería con las ranuras de montaje, e introduzca la batería presionándola hacia abajo hasta oír un «clic» (fig. I).

Retirada

Pulse el botón de liberación de la batería y saque la batería tirando de ella (fig. J).

PUESTA EN MARCHA/PARADA DE LA MOTOSIERRA

AVISO: Antes de poner en marcha la motosierra, compruebe el nivel de aceite, el afilado de los dientes de

la cadena y el funcionamiento correcto de la palanca de freno de retroceso de la cadena. Además, debe mantener un buen equilibrio de los pies y una distancia al suelo adecuada.

Puesta en marcha (fig. K)

1. Tire de la palanca del freno de retroceso de la cadena hacia la empuñadura delantera, hasta la posición de funcionamiento (fig. K).
2. Sujete firmemente la empuñadura delantera con la mano **izquierda** y la empuñadura trasera con la mano **derecha**.

ADVERTENCIA: Para evitar lesiones, utilice siempre la motosierra con la mano derecha agarrando la zona de agarre de la empuñadura trasera (fig. L).

3. Mantenga pulsado el botón de desbloqueo con el pulgar de su mano derecha y, a continuación, apriete el gatillo interruptor con los dedos de su mano derecha para poner en marcha la motosierra. (Fig. L).

L-1

Zona de agarre

4. Suelte el botón de desbloqueo y continúe apretando el gatillo interruptor para seguir utilizando la sierra de manera continua.
5. Cuanto más se presione el gatillo, mayor será la velocidad de la cadena. Ajuste la velocidad en función de la tarea que vaya a realizar.

ADVERTENCIA: No intente poner en marcha la motosierra si la cadena está insertada en un corte.

Parada

1. Aleje la motosierra de la zona de corte y, a continuación, suelte el gatillo para detener la motosierra.
2. Empuje la palanca del freno de retroceso de la cadena hacia adelante hasta su posición accionada para activar el freno de cadena (fig. K).

ADVERTENCIA: Asegúrese siempre de quitar la batería de la máquina durante cualquier pausa de trabajo y cuando haya finalizado la tarea.

CAMBIO DEL MODO DE VELOCIDAD (FIG. M)

Esta máquina cuenta con tres modos de velocidad. Cada modo de velocidad limita la velocidad máxima de la motosierra. El modo de velocidad cambiará con cada pulsación del botón de cambio de velocidad de la cadena. El nivel de velocidad que figura en la pantalla LCD

mostrará el modo de velocidad activo: una barra para velocidad baja, dos barras para velocidad media y tres barras para velocidad alta. El modo de velocidad baja (ECO) proporciona un mejor control de la máquina y un mayor tiempo de funcionamiento por carga.

M-1	Nivel de velocidad	M-7	Nivel actual de carga
M-2	Símbolo de Bluetooth	M-8	Botón Faro/Bluetooth
M-3	Icono del faro	M-9	Botón de alimentación de aceite
M-4	Icono del freno	M-10	Variador de velocidad de la cadena
M-5	Indicador de alta temperatura	M-11	Nivel de salida de aceite
M-6	Círculo indicador de energía	M-12	Indicador de nivel bajo de aceite

NOTA: Si se utiliza una batería EGO con un valor nominal de 4,0 Ah o menos, solo está disponible el modo ECO. Y si se utiliza una batería EGO con un valor nominal menor que 6,0 Ah no se podrá alcanzar una velocidad alta. Para obtener un rendimiento óptimo, recomendamos encarecidamente usar baterías EGO de 6,0 Ah (por ejemplo, BA3360T) o más.

NOTA: La motosierra cuenta con una función de memoria de velocidad de la cadena. La próxima vez que encienda la motosierra, se activará el modo de velocidad utilizado anteriormente.

NOTA: La pantalla LCD se enciende cuando se aprieta el gatillo interruptor o cuando se pulsa el botón de alimentación de aceite o el botón Faro/Bluetooth. De forma predeterminada, la pantalla LCD se apaga automáticamente después de aproximadamente 1 segundo de inactividad.

NOTA: Al presionar el cambio de velocidad de la cadena no se encenderá la pantalla LCD.

NIVEL DE CARGA (fig. M)

El nivel de carga en el lado derecho de la pantalla LCD muestra la carga actual en la máquina. El mayor número de barras indica la mayor carga y el menor número de barras indica la menor carga.

Esta característica está destinada principalmente a usuarios experimentados de motosierras a gasolina que tal vez no tengan la “sensación” de cómo se comporta la sierra a batería con diferentes cargas. Ayuda a los

usuarios a controlar la carga de trabajo para evitar un funcionamiento prolongado con carga pesada, lo que puede hacer que la motosierra se detenga durante la operación debido a que se calienta demasiado.

INDICADOR DE ALTA TEMPERATURA (fig. M)

El indicador de alta temperatura se enciende cuando la temperatura de la máquina excede de 194°F (90°C) o la temperatura de la batería excede de 158°F (70°C) durante el funcionamiento. El circuito de protección de temperatura apagará inmediatamente la máquina para evitar daños por sobrecalentamiento. Suelte el gatillo y espere hasta que la máquina o la batería sobrecalentada se enfríe y el indicador de alta temperatura se apague, luego reinicie la máquina.

ICONO DE FRENO (fig. M)

El icono de freno aparece en la pantalla LCD cuando la paleta de freno está en posición de freno.

El icono del freno parpadeará cuando el sistema de freno de la cadena omnidireccional detenga la sierra. Consulte el siguiente capítulo para obtener información detallada.

SISTEMA DE FRENO DE LA CADENA OMIDIRECCIONAL (fig. N1 y fig. N2)

ADVERTENCIA: el sistema de freno de la cadena omnidireccional no está previsto como sustituto del freno de la cadena estándar o tradicional. El usuario no debería confiar nunca en esta función durante el funcionamiento de la motosierra como protección contra el retroceso. Siga siempre las instrucciones de seguridad relativas a la mitigación del retroceso, que se encuentran en el apartado de advertencias de este manual.

Cuando el sistema de freno de la cadena omnidireccional se activa y detiene la sierra, el símbolo del freno parpadeará en la pantalla LCD (fig. M). Suelte el gatillo interruptor, retire la espada y la cadena del corte en la madera y vuelva a poner en marcha la motosierra.

NOTA: Los sensores solo detectan el movimiento repentino de la sierra en el plano de la espada (fig. N1). Los sensores no detectan el movimiento repentino de la sierra hacia los lados (fig. N2) (por ejemplo, perpendicular al plano de la espada).

NIVEL DE SALIDA DE ACEITE E INDICADOR DE NIVEL BAJO DE ACEITE (Fig. M)

La máquina lubrica automáticamente la cadena. Esta motosierra le permite cambiar la tasa de salida de aceite con cada pulsación del botón de alimentación de aceite.

NOTA: La tasa de salida del aceite sólo se puede cambiar

cuando la cadena de la sierra no está en marcha.

El nivel de salida de aceite en la pantalla LCD mostrará la tasa de salida de aceite. Una barra para una tasa de salida baja, dos barras para una tasa de salida media y tres barras para una tasa de salida alta.

ES

Elija una tasa de salida más alta para una velocidad de cadena más rápida. Si la cadena de la sierra se seca durante el trabajo, pare el motor y elija una tasa de salida de aceite más alta.

Cuando el nivel de aceite sea bajo, el indicador de nivel bajo de aceite sobre las barras de salida de aceite aparecerá en la pantalla LCD y solo estará disponible una tasa de salida baja. Detenga la motosierra y rellene el depósito de aceite siguiendo el capítulo **LLENADO DEL DEPÓSITO DE ACEITE CON LUBRICANTE PARA LA ESPADA Y LA CADENA**.

Después de llenar el depósito de aceite, haga funcionar la motosierra durante unos 10 segundos para permitir que el sistema de lubricación automática comience a funcionar y el indicador desaparecerá de la pantalla LCD.

AVISO: Si el indicador todavía está en la pantalla LCD después de realizar los pasos anteriores, puede ser que el sistema esté dañado. Deje de usar la motosierra y entre en contacto con un centro de servicio técnico autorizado de EGO para su reparación.

FARO LED (fig. O)

El faro LED está situado en la parte delantera de la carcasa de la motosierra. El faro proporciona iluminación para aumentar la visibilidad y cuenta con 2 niveles de brillo.

Para encender el faro, pulse una vez el botón Faro/Bluetooth (fig. M). El faro se encenderá en el nivel de brillo bajo y el icono de faro de brillo bajo aparecerá en la pantalla LCD. Pulse de nuevo el botón Faro/Bluetooth para cambiar al nivel de brillo alto y el icono del faro de brillo alto aparecerá en la pantalla LCD.

Para apagar el faro, pulse el botón Faro/Bluetooth por tercera vez y el icono del faro desaparecerá de la pantalla LCD.

0-1	Icono del faro de bajo brillo	0-3	Faro tipo LED
0-2	Icono del faro de alto brillo		

TECNOLOGÍA DE COMUNICACIÓN

Para obtener información sobre nuestra gama completa de productos y servicios conectados, incluidas las

instrucciones de conexión, escanee el código QR que aparece a continuación o visite www.egopowerplus.eu/connect.



AGARRE ADECUADO DE LAS EMPUÑADURAS (FIG. P1)

- Utilice guantes antideslizantes para un mayor agarre y protección.
- Con la motosierra colocada sobre una superficie firme y plana, sujétela firmemente con ambas manos.
- Sujete siempre la empuñadura delantera con la mano izquierda y la empuñadura trasera con la mano derecha.
- Los dedos deberán envolver la empuñadura, con el pulgar replegado debajo de la empuñadura delantera.

⚠ ADVERTENCIA: Nunca sujete la motosierra con las manos colocadas al revés de lo indicado (como si fuera zurdo) ni en cualquier otra postura que pudiera colocar su cuerpo o brazo en la trayectoria de la línea de corte de la cadena.

⚠ ADVERTENCIA: No accione el gatillo interruptor con la mano izquierda y sujete la empuñadura delantera con la mano derecha. No deje nunca que ninguna parte de su cuerpo quede en la trayectoria de la línea de corte de la cadena cuando use una motosierra (fig. P2).

POSTURA ADECUADA PARA CORTAR (FIG. Q)

- Ambos pies deberán estar bien apoyados en suelo firme, con el peso repartido uniformemente entre ellos.
- El brazo izquierdo deberá estar extendido, con el codo bloqueado en posición. Esta postura contribuirá a contrarrestar las fuerzas generadas por el retroceso.
- Su cuerpo deberá quedar siempre a la izquierda de la línea de corte de la cadena.

INSTRUCCIONES RELATIVAS A LAS TÉCNICAS BÁSICAS ADECUADAS PARA TALA, DESRAME Y TROZADA

⚠ ADVERTENCIA: Asegúrese siempre de mantener un buen equilibrio y sostener la motosierra firmemente con

ambas manos mientras su motor esté en marcha.

⚠ ADVERTENCIA: Si la cadena se detiene porque se queda trabada durante el corte, suelte el gatillo interruptor, y saque la espada y la cadena de la ranura de corte antes de volver a poner en marcha la motosierra.

⚠ ADVERTENCIA: No tire de la cadena con la mano cuando esté bloqueada con serrín. Podrían producirse lesiones graves si la motosierra llegara a ponerse en marcha de manera fortuita. Presione la cadena contra la madera y desplace la motosierra hacia adelante y hacia atrás para descargar los residuos. Quite siempre la batería antes de limpiar la herramienta. Utilice guantes gruesos de protección cuando manipule la cadena.

⚠ ADVERTENCIA: Nunca ponga en marcha la motosierra mientras está en contacto con la madera. Espere siempre a que la motosierra alcance sus revoluciones máximas antes de acercar la cadena a la madera.

TALA DE ÁRBOLES

- Cuando las operaciones de tala y fragmentación se lleven a cabo entre dos o más personas de forma simultánea, la operación de tala deberá efectuarse alejada de la operación de fragmentación, a una distancia equivalente a al menos dos veces la altura del árbol que se está talando. Los árboles no deberán talarse de manera que puedan suponer un peligro para cualquier persona, golpear un cable eléctrico o causar daños materiales. Si el árbol llegara a tocar cables del tendido eléctrico, deberá avisarse inmediatamente a la empresa de distribución eléctrica.
- Al talar un árbol en terreno inclinado, el usuario de la motosierra deberá situarse en la zona más elevada de la pendiente, ya que el árbol tenderá a rodar o deslizarse cuesta abajo una vez talado.
- Hay que prever una ruta de escape y despejarla en caso necesario antes de empezar a cortar. La ruta de escape deberá prolongarse hacia atrás y en diagonal con respecto a la línea de caída prevista, como se muestra en la fig. R.

R-1	Dirección de tala
R-2	Ruta de escape de seguridad

- Antes de iniciar la tala, tenga en cuenta la inclinación natural del árbol, la ubicación de las ramas más grandes y la dirección del viento, para determinar la manera en que el árbol va a caer.

- Quite la suciedad, las piedras, la corteza suelta, los clavos, grapas y alambres que pueda haber en el árbol.

Corte direccional

Haga el corte direccional hasta una profundidad de 1/3 del diámetro del árbol y perpendicular a la dirección de caída según se muestra en la fig. S. Haga primero el corte direccional horizontal inferior. Esto ayudará a evitar que la cadena o espada se traben en el corte al efectuar el segundo corte.

S-1	Dirección de caída	S-3	Corte de tala
S-2	Hendidura	S-4	Bisagra

Corte de tala

- Haga el corte de tala al menos 50 mm más alto que el corte direccional horizontal, como se muestra en la fig. S. Mantenga el corte de tala paralelo con respecto al corte direccional horizontal. Haga el corte de tala a una profundidad tal que quede suficiente madera para actuar a modo de bisagra. La madera de la bisagra sujetará el árbol evitando que se tuerza y caiga en la dirección equivocada. No corte a través de la bisagra.
- A medida que el corte de tala se acerca a la bisagra, el árbol deberá iniciar su caída. Si hay alguna posibilidad de que el árbol no vaya a caer en la dirección deseada o pueda inclinarse hacia atrás y trabar la cadena, interrumpa el corte de tala antes de completarlo y utilice cuñas de derribo de madera, plástico o aluminio para abrir el corte y obligar a que el árbol caiga a lo largo de la trayectoria de caída deseada.
- Cuando el árbol comience a caer, retire la motosierra del corte, apague el motor, deposite la motosierra en el suelo y utilice la ruta de escape prevista. Esté atento a las ramas que puedan caer y procure mantener el equilibrio.

Desrame de árboles

El desrame consiste en eliminar las ramas un árbol caído. Cuando lleve a cabo el desrame, deje las ramas inferiores más gruesas, de manera que soporten al tronco y no esté descansando sobre el suelo. Retire las ramas más pequeñas de una sola pasada, tal como se muestra en la fig. T. Las ramas que están en tensión deberán cortarse desde abajo hacia arriba, para evitar que la motosierra se trabe.

Fragmentación de troncos

La fragmentación de troncos consiste en cortar un

árbol ya derribado en tramos más cortos. Es importante asegurarse de mantener un buen equilibrio y de repartir el peso uniformemente entre ambos pies. Cuando sea posible, deberá elevarse el tronco y apoyarlo sobre ramas, tocones o calzos. Siga las instrucciones básicas indicadas a continuación para efectuar cortes de manera fácil.

ES

Cuando el tronco esté apoyado en toda su longitud, como se muestra en la fig. U1, deberá cortarse desde arriba (fragmentación por arriba).

Cuando el tronco esté apoyado únicamente en un extremo, como se muestra en la fig. U2, corte desde la parte inferior (fragmentación por abajo) hasta una profundidad de 1/3 de su diámetro. Finalice efectuando un corte desde arriba hasta alcanzar el primer corte.

Cuando el tronco esté apoyado en ambos extremos, como se muestra en la fig. U3, corte desde la parte superior (fragmentación por arriba) hasta una profundidad de 1/3 de su diámetro. Finalice efectuando un corte desde abajo hasta una profundidad de 2/3 del diámetro y alcanzar el primer corte.

Al fragmentar troncos en una pendiente, colóquese siempre en el lado más elevado de la misma, como se muestra en la fig. V.

Cuando corte a través del tronco, para mantener un control total, relaje la presión de corte cerca del final de corte sin reducir la firmeza de agarre de las empuñaduras de la motosierra. No deje que la cadena llegue a tocar el suelo. Una vez completado el corte, espere a que la cadena se haya detenido antes de mover la motosierra. Apague siempre el motor antes de pasar de un árbol a otro.

MANTENIMIENTO

⚠ ADVERTENCIA: Cuando repare el aparato, utilice solo piezas idénticas a las originales. La utilización de otras piezas podría suponer un peligro o causar daños en el producto. Para garantizar la seguridad y fiabilidad de la herramienta, las reparaciones debe realizarlas únicamente un técnico cualificado.

⚠ ADVERTENCIA: Para evitar lesiones físicas graves, quite siempre la batería del producto antes de proceder a examinarlo, limpiarlo o llevar a cabo cualquier tarea de mantenimiento. Una herramienta eléctrica que tenga instalada la batería siempre estará bajo tensión y podrá ponerse en marcha accidentalmente.

⚠ ADVERTENCIA: Al limpiar la motosierra, NO la sumerja en agua ni en ningún otro líquido.

⚠ ADVERTENCIA: No deje nunca que las piezas

de plástico entren en contacto con líquido de frenos, gasolina, productos derivados del petróleo, aceites penetrantes, etc. Los productos químicos podrían dañar, debilitar o destruir el plástico, con el consiguiente riesgo de provocar lesiones graves.

LIMPIEZA

- Después de cada uso, limpie cualquier residuo o acumulación de material de la cadena y la espada utilizando un cepillo suave. Limpie la superficie de la motosierra con un paño limpio, humedecido con una solución de agua y detergente suave.
- Quite la tapa lateral y, a continuación, utilice un cepillo suave para eliminar residuos y acumulaciones de material de la espada, la cadena, el piñón y la tapa lateral.
- Retire la cubierta inferior aproximadamente a cada 8 horas de funcionamiento y luego use un cepillo suave para eliminar los residuos de dentro de la máquina y de sobre la cubierta (fig. W).
- Limpie siempre las virutas de madera, serrín y suciedad acumulada en el carril de la espada cuando cambie la cadena.

MANTENIMIENTO DE LA ESPADA

Cuando observe signos de desgaste en la espada, desmóntela del conjunto de motor de la motosierra y vuelva a montarla en posición invertida (fig. X1). De este modo, el desgaste se repartirá y se maximizará la vida útil de la espada.

La espada deberá limpiarse tras cada día de utilización e inspeccionarse por si presentase desgaste o daños (fig. X2). Los rebordes o rebabas presentes en el carril de la espada son un proceso normal de desgaste de la espada. Dichas anomalías deberán alisarse con una lima en cuanto se produzcan. Una espada que muestre cualquiera de las siguientes anomalías deberá sustituirse.

- Desgaste en el carril de la espada que permite a la cadena acostarse hacia los lados.
- Espada doblada o deformada.
- Carril con grietas o roturas.
- Carril ensanchado.

Además, la espada tiene un piñón en la punta (fig. X3).

El piñón deberá lubricarse semanalmente utilizando una jeringa o pistola de engrase para así prolongar la vida útil de la espada. Utilice una jeringa o pistola de engrase para lubricarlo semanalmente con aceite para cadenas a través del orificio de lubricación (fig. W4). Gire la espada y compruebe que los orificios de lubricación y el carril de la cadena están libres de suciedad.

X-1	Rieles de la cadena	X-3	Orificio de lubricación
X-2	Piñón en la punta de la espada		

AVISO: Utilice lubricantes autorizados por EGO para obtener los mejores resultados.

ES

TRANSPORTE Y ALMACENAMIENTO

No almacene ni transporte la motosierra mientras está funcionando. Quite siempre la batería antes de guardar o transportar la herramienta.

Coloque siempre el protector de espada en la cadena y la espada antes de guardar o transportar la motosierra. Tenga cuidado para evitar cortarse con los dientes afilados de la cadena.

Limpie a fondo la motosierra antes de guardarla. Guarde la motosierra en interiores, en un lugar seco, cerrado bajo llave o inaccesible para los niños.

Manténgalo apartado de agentes corrosivos, como productos químicos de jardinería y sal para deshielo.

PROTECCIÓN DEL MEDIO AMBIENTE



¡No elimine aparatos eléctricos, baterías usadas ni cargadores de baterías junto con los desperdicios domésticos!

Lleve este producto a un punto de reciclaje autorizado y deposítelo por separado según corresponda. Las herramientas eléctricas se deben llevar a un punto de reciclaje con fin de proteger el medio ambiente.

SOLUCIÓN DE PROBLEMAS

⚠ ADVERTENCIA: Proteja siempre sus manos utilizando guantes gruesos cuando lleve a cabo cualquier operación de mantenimiento en la cadena de la motosierra. Quite siempre la batería antes de guardar o transportar la motosierra.

ES

PROBLEMA	CAUSA	SOLUCIÓN
El motor no arranca.	<ul style="list-style-type: none"> ■ La batería no está insertada correctamente en la motosierra. ■ No hay contacto eléctrico entre la batería y la sierra. ■ Si el círculo del indicador de combustible que aparece en la pantalla LCD parpadea, la batería está agotada. ■ Si aparece el indicador de alta temperatura en la pantalla LCD, significa que la batería o la motosierra están demasiado calientes. ■ Si el icono del freno de cadena aparece en la pantalla LCD, significa que el freno de la cadena está activado. ■ Residuos en el carril de la espada. ■ Residuos acumulados en la tapa lateral. 	<ul style="list-style-type: none"> ■ Inserte la batería correctamente en la motosierra. ■ Quite la batería, compruebe los contactos eléctricos y vuelva a instalarla. ■ Cargue la batería. ■ Espere a que la batería o la motosierra se hayan enfriado lo suficiente hasta que su temperatura sea inferior a 67°C. ■ Tire hacia atrás de la palanca del freno de retroceso de la cadena hacia la empuñadura delantera, hasta la posición de funcionamiento. ■ Presione la cadena contra la madera y desplace la motosierra hacia adelante y hacia atrás para descargar los residuos. ■ Quite la batería y, a continuación, desmonte la tapa lateral y limpie los residuos.
El modo de velocidad no se puede cambiar.	<ul style="list-style-type: none"> ■ El variador de velocidad de la cadena está atascado por residuos. 	<ul style="list-style-type: none"> ■ Limpie los residuos alrededor del variador de velocidad de la cadena.
La motosierra deja de funcionar inesperadamente durante el uso.	<ul style="list-style-type: none"> ■ La motosierra se ha sobrecargado. ■ Si aparece el indicador de alta temperatura en la pantalla LCD, significa que la batería o la motosierra están demasiado calientes. ■ Cadena clavada en la madera. ■ Si el icono de freno de la cadena parpadea en la pantalla LCD, el sistema de freno de cadena omnidireccional detiene la sierra. 	<ul style="list-style-type: none"> ■ Reduzca la carga. ■ Espere a que la batería o la motosierra se hayan enfriado lo suficiente hasta que su temperatura sea inferior a 67°C. ■ Suelte el gatillo interruptor, retire la espada y la cadena del corte de la madera y vuelva a poner en marcha la motosierra. ■ Suelte el gatillo interruptor, retire la espada y la cadena del corte de la madera y vuelva a poner en marcha la motosierra.
El motor funciona, pero la cadena no gira.	<ul style="list-style-type: none"> ■ La cadena no está engranada en el piñón de arrastre. 	<ul style="list-style-type: none"> ■ Vuelva a instalar la cadena, asegurándose de que los eslabones de arrastre de la cadena han engranado en los dientes del piñón.

PROBLEMA	CAUSA	SOLUCIÓN
El freno de cadena no se activa.	<ul style="list-style-type: none"> ■ Los residuos acumulados impiden el desplazamiento completo de la palanca del freno de retroceso de la cadena. ■ Posible avería del freno de cadena. 	<ul style="list-style-type: none"> ■ Limpie los residuos del mecanismo del freno de cadena exterior. ■ Póngase en contacto con el departamento de atención al cliente de EGO para solicitar una reparación.
La motosierra no corta correctamente.	<ul style="list-style-type: none"> ■ Cadena destensada. ■ Cadena embotada. ■ Cadena instalada al revés. ■ Cadena desgastada. ■ Cadena seca o excesivamente estirada. ■ La cadena no está bien asentada en el carril de la espada. 	<ul style="list-style-type: none"> ■ Vuelva a ajustar la tensión de la cadena según se indica en el apartado titulado «CÓMO AJUSTAR LA TENSIÓN DE LA CADENA». ■ Afíle la cadena. ■ Vuelva a instalar la cadena de la sierra, siguiendo el apartado «MONTAJE Y SUSTITUCIÓN DE LA ESPADA Y LA CADENA». ■ Sustituya la cadena según se indica en el apartado titulado «MONTAJE Y SUSTITUCIÓN DE LA ESPADA Y LA CADENA». ■ Compruebe el nivel de aceite. Rellene el depósito de aceite y elija un mayor volumen de suministro de aceite si es necesario. ■ Vuelva a instalar la cadena según se indica en el apartado titulado «MONTAJE Y SUSTITUCIÓN DE LA ESPADA Y LA CADENA».
La cadena se afloja o cuelga de la espada durante el uso normal.	<ul style="list-style-type: none"> ■ La cadena se afloja a medida que se calienta durante el uso normal de la sierra. ■ La cadena no está engranada en el piñón de arrastre. 	<ul style="list-style-type: none"> ■ Tense la cadena siguiendo las indicaciones del apartado «CÓMO AJUSTAR LA TENSIÓN DE LA CADENA». ■ Vuelva a instalar la cadena según se indica en el apartado titulado «MONTAJE Y SUSTITUCIÓN DE LA ESPADA Y LA CADENA».
La espada y la cadena se calientan y emana humo.	<ul style="list-style-type: none"> ■ Si aparece el indicador de nivel bajo de aceite en la pantalla LCD, el depósito de aceite de la cadena está vacío. ■ Residuos en el carril de la espada. 	<ul style="list-style-type: none"> ■ Compruebe el nivel de aceite. Si es necesario, rellene el depósito de aceite. ■ Elimine los residuos del carril.
El indicador de nivel de aceite bajo aparece en la pantalla LCD aunque hay suficiente aceite en el depósito. O bien en la pantalla LCD no aparece el indicador de aceite bajo, a pesar de que hay poco aceite en el depósito.	<ul style="list-style-type: none"> ■ El componente de detección del nivel de aceite aún no ha detectado el nivel de aceite real, debido a que hay aceite residual o aire en el tubo de aceite. ■ Fallo del componente de detección del nivel de aceite." 	<ul style="list-style-type: none"> ■ Espere unos minutos para que salgan del tubo el aceite residual o el aire.



GARANTÍA

POLÍTICA DE GARANTÍA DE EGO

Visite la página web egopowerplus.eu para conocer los términos y condiciones completos de la política de garantía de EGO.

ES

LEIA TODAS AS INSTRUÇÕES!



LEIA O MANUAL DO UTILIZADOR

AVISO: Para garantir a segurança e bom funcionamento, todas as reparações deverão ser efetuadas por um técnico de reparação qualificado.

AVISO: Certifique-se de que lê e compreende todos os avisos de segurança neste manual do utilizador, incluindo todos os símbolos de alerta de segurança, como “PERIGO”, “AVISO” e “CUIDADO” antes de usar esta ferramenta. Não seguir todas as instruções apresentadas abaixo pode resultar em choque elétrico, incêndio e/ou ferimentos graves.



Alerta de segurança



Use proteção ocular.



Use proteção para a cabeça.



Tenha cuidado com os ressaltos da motosserra e evite contactar com a ponta da barra.



Informação da barra de orientação



Nível de potência do som garantido. Emissão de ruído para o ambiente de acordo com a diretiva da Comunidade Europeia.



Este produto encontra-se em conformidade com as diretivas CE aplicáveis.



Bluetooth®

mm Milímetro

V Voltagem

IPX5 Proteção contra jatos de água

GUARDE TODOS OS AVISOS E INSTRUÇÕES PARA FUTURAS REFERÊNCIAS.

SÍMBOLOS DE SEGURANÇA

AVISO: O funcionamento de qualquer ferramenta elétrica pode dar origem ao ressalto de quaisquer objetos estranhos que podem atingir os olhos, podendo dar origem a sérias lesões oculares. Antes de começar a utilizar a ferramenta elétrica, utilize sempre óculos de segurança com proteções laterais e uma proteção completa para a cara, quando necessário. Recomendamos a utilização de máscaras de segurança com visão panorâmica por cima dos óculos ou óculos de segurança padrão com proteção lateral.



Para reduzir o risco de ferimentos, o utilizador tem de ler e compreender o manual do utilizador antes de utilizar este produto.



Use proteção auditiva.



Use luvas de proteção.



Ressalto da ponta da barra de orientação



Use sempre a motosserra com as duas mãos.



Os produtos elétricos residuais não deverão ser eliminados juntamente com o lixo doméstico comum. Entregue-os num centro de reciclagem autorizado.



Este produto encontra-se em conformidade com a legislação no Reino Unido.



Corrente direta

n_0 Velocidade Sem Carga

./min Por minuto

NOTA: A palavra Bluetooth® e logótipos são marcas registadas da Bluetooth SIG, Inc. Qualquer uso de tais marcas por parte da EGO é efetuada sob licença.

CARACTERÍSTICAS TÉCNICAS

Voltagem nominal	56V
Máx. Velocidade da corrente	30 m/s
Engate da corrente	8.255 mm / 0.325"
Extremidade da corrente	1.3 mm
Comprimento da barra de orientação	50 cm
Modelo de corrente da serra	AC2035(Recomendado)
	AC1635, AC1835 (Compatível)
Modelo da corrente da serra e barra de orientação	AK2035 (Recomendado)
	AK1635, AK1835 (Compatível)
Capacidade do depósito do óleo da corrente	250 ml
Peso (sem bateria, corrente da serra, barra de orientação, cobertura lateral, óleo e bainha da corrente)	4.3 kg
Temperatura de funcionamento recomendada	-15°C-40°C
Temperatura de armazenamento recomendada	-20°C-70°C
Temperatura de carregamento recomendada	5°C-40°C
Nível de potência do som medido L_{WA}	102 dB(A)
	$K=2,3$ dB(A)
Nível de pressão do som na posição de trabalho L_{PA}	92 dB(A)
	$K=3$ dB(A)
Nível de potência do som garantido L_{WA} (de acordo com a 2000/14/CE)	104 dB(A)
Vibração a_h	Pega dianteira 3,3 m/s ² $K=1,5$ m/s ²
	Pega traseira 1,74 m/s ² $K=1,5$ m/s ²

- O valor total declarado da vibração foi medido de acordo com um método de teste padrão e pode ser usado para comparar duas ferramentas.
- O valor total declarado da vibração também pode ser usado numa avaliação preliminar da exposição.

AVISO: A emissão de vibrações durante a utilização da

ferramenta elétrica pode diferir do valor declarado em que a ferramenta é usada. De modo a proteger o utilizador, este deverá usar luvas e proteção auditiva nas condições atuais de utilização.

LISTA DE PEÇAS (IMAGEM A1)

DESCRIÇÃO

CONHEÇA A SUA MOTOSSERRA (Imagem A1)

1. Corrente da serra
2. Pá do travão de ressalto da corrente
3. Pega dianteira
4. Ecrã LCD
5. Nível de velocidade
6. Ícone de Bluetooth
7. Ícone da luz dianteira
8. Ícone do travão
9. Indicador de alta temperatura
10. Círculo do manómetro do combustível
11. Nível da corrente de carga
12. Indicador de pouco óleo
13. Botão da luz dianteira/Bluetooth
14. Botão de alimentação do óleo
15. Nível de saída do óleo
16. Botão de desbloqueio
17. Gatilho do interruptor
18. Pega traseira
19. Botão de mudança da velocidade da corrente
20. Botão de libertação da bateria
21. Janela de inspeção do óleo
22. Tampa do depósito do óleo
23. Barra de orientação
24. Orifício de lubrificação
25. Parafuso de tensão da corrente
26. Cobertura lateral
27. Porcas de fixação
28. Espigões de corte
29. Luz dianteira LED
30. Bainha da corrente
31. Chave multifunções

MONTAGEM

MONTAR/SUBSTITUIR A BARRA E A CORRENTE

AVISO: Ajuste a pega do travão de ressalto da corrente para a posição de travado antes da montagem.

1. Posicione a cabeça do motor da motosserra de lado com a cobertura lateral virada para cima (Imagem B).
2. Retire a cobertura lateral rodando as duas porcas de fixação no sentido inverso ao dos ponteiros do relógio.

- Rode o parafuso de tensão da corrente no sentido inverso ao dos ponteiros do relógio para diminuir a tensão da corrente.
- Coloque a corrente da serra num arco numa superfície plana e endireite quaisquer dobras (Imagem C).
- Coloque os elos condutores da corrente na ranhura da barra de orientação e coloque a corrente em arco na parte traseira da barra de orientação (Imagem D).
- Segure a corrente em posição na barra de orientação e coloque o arco à volta da roda dentada da serra (Imagem E1).

B-1	Porcas de fixação	D-2	Ranhura da barra de orientação
B-2	Parafuso de tensão da corrente	E-1	Roda dentada motriz
D-1	Elos condutores da corrente		

AVISO: Quando colocar a corrente da serra na barra de orientação, certifique-se de que, após montar a barra de orientação na serra, faz corresponder a orientação do cortador com o ícone do cortador e a seta de direção de rotação na estrutura. Se ficarem em direções opostas, volte a montar a corrente da serra na barra de orientação com os cortadores virados na mesma direção (Imagem E2).

- Volte a colocar a cobertura lateral na estrutura da motosserra e aperte por completo as duas porcas de fixação.
- Rode a corrente com a mão para verificar se a corrente ficou corretamente montada sem dobras. Caso contrário, volte a montar a corrente e a barra.

AVISO: Para aumentar o tempo de vida útil da barra de orientação, inverta-a ocasionalmente.

AJUSTAR A TENSÃO DA CORRENTE

- Pare o motor e retire a bateria antes de ajustar a tensão da corrente. Rode o parafuso de tensão da corrente no sentido dos ponteiros do relógio, ou no sentido inverso ao dos ponteiros do relógio para ajustar a tensão da corrente (Imagem F) até que a corrente fique bem assente contra a barra de orientação com os elos condutores na ranhura da barra de orientação.
- Uma serra fria tem a tensão correta quando não houver folga na parte inferior da barra de orientação, a serra estiver justa, mas conseguir girá-la

à mão sem prender. A corrente tem de ser apertada novamente quando a superfície achatada nos elos condutores não assentar na ranhura da barra.

- Durante o funcionamento normal da serra, a temperatura da corrente aumenta. Os elos condutores de uma corrente quente com a tensão correta ficam pendurados a cerca de 1,3 mm fora da ranhura da barra (Imagem G).

AVISO: Serras novas têm tendência a esticar. Verifique frequentemente a tensão da serra e aperte sempre que necessário.

AVISO: Apertar uma serra enquanto esta estiver quente pode deixá-la demasiado apertada quando arrefecer. Verifique a "tensão a frio" antes da utilização seguinte.

FUNCIONAMENTO

AVISO: Não permita que a familiarização com este produto o torne descuidado. Lembre-se de que uma fração de segundo de desatenção é o suficiente para sofrer um ferimento sério.

AVISO: Não utilize quaisquer acessórios para além dos recomendados pelo fabricante deste produto. A utilização de acessórios que não sejam recomendados pode dar origem a ferimentos sérios.

AVISO: Para evitar a ligação acidental que pode provocar ferimentos pessoais graves, retire sempre a bateria da ferramenta quando montar as peças, fizer ajustes, proceder à limpeza ou quando não utilizar a ferramenta.

Antes de cada utilização, inspecione todo o produto quanto a peças danificadas, em falta ou soltas, como parafusos, porcas, tampas, etc. Aperte bem todos os fixadores e tampas e não utilize este produto até que todas as peças em falta ou danificadas sejam substituídas.

APLICAÇÕES

Podem usar este produto para o abate simples, corte de ramos, poda e corte de madeira e árvores.

AVISO: A máquina tem de ser usada apenas conforme descrito. Qualquer outra utilização será considerada má utilização.

ADICIONAR LUBRIFICANTE À BARRA E À SERRA

AVISO: Não fume nem aproxime chamas do óleo ou da motosserra. O óleo pode ser derramado e causar um

incêndio.

AVISO: A motosserra não vem com óleo na altura da compra. É essencial abastecer com óleo antes da utilização. A corrente é lubrificada automaticamente com óleo da corrente durante o funcionamento.

1. Posicione a motosserra de lado com a tampa do depósito virada para cima.
2. Limpe a tampa do depósito do óleo e a área em redor desta, para se certificar de que não entra lixo no depósito do óleo.
3. Levante a placa semicircular e rode a tampa do depósito do óleo no sentido inverso ao dos ponteiros do relógio para a retirar (Imagem H).
4. Deite cuidadosamente o óleo da barra e da serra no depósito. Encha até ao fundo do pescoço de enchimento.
5. Limpe o excesso de óleo e volte a colocar a tampa.

AVISO: Verifique frequentemente o nível do óleo e encha quando o nível descer abaixo da linha de mínimo. Nunca utilize a motosserra se o óleo não for visível.

FIXAR/RETIRAR A BATERIA

NOTA: O círculo do manómetro do combustível no ecrã LCD indica o nível da carga da bateria (Imagem A1). O círculo pisca quando a carga da bateria estiver quase gasta. Carregue por completo a bateria antes da primeira utilização.

Utilize apenas com as baterias e carregadores da EGO listados na Imagem A2.

Carregue por completo antes da primeira utilização.

Para fixar

Alinhe as abas da bateria com as ranhuras de fixação e empurre a bateria para baixo até ouvir um "clique" (Imagem I).

Para retirar

Prima o botão de libertação da bateria e puxe a bateria para fora (Imagem J).

LIGAR/DESLIGAR A MOTOSSERRA

AVISO: Antes de ligar a motosserra, verifique o nível do óleo, se os dentes da serra estão afiados e se a pá do travão de ressalto está a funcionar corretamente. Adicionalmente, é necessário manter a distância correta do solo e uma base estável.

Iniciar (Imagem K)

1. Puxe a pá do travão do ressalto da corrente na direção da pega dianteira para a posição de funcionamento (Imagem K).
2. Segure bem a pega dianteira com a mão **esquerda** e a pega traseira com a mão **direita**.

AVISO: Para evitar ferimentos, use sempre a motosserra com a mão direita a segurar a área de prensão da pega traseira (Imagem L).

3. Prima e mantenha premido o botão de desbloqueio com o polegar da sua mão direita e depois prima o interruptor do gatilho com os dedos da sua mão direita para ligar a motosserra. (Imagem L)

L-1	Área de prensão
-----	-----------------

4. Liberte o botão de desbloqueio e continue a premir o interruptor do gatilho para uma utilização prolongada.
5. Quanto mais premir o interruptor do gatilho, maior é a velocidade. Ajuste a velocidade para se adequar à tarefa a ser efetuada.

AVISO: Não tente ligar a motosserra quando a corrente da serra estiver num corte.

Parar

1. Afaste a motosserra da área de corte e liberte o interruptor do gatilho para parar a motosserra.
2. Pressione a pá do travão do ressalto da corrente para a frente para a posição de travagem para ativar o travão da corrente (Imagem K).

AVISO: Retire sempre a bateria da máquina durante pausas de trabalho e após terminar o trabalho.

ALTERAR O MODO DA VELOCIDADE (IMAGEM M)

Esta máquina tem três modos de velocidade. Cada modo de velocidade limita a velocidade máxima da motosserra. O modo de velocidade muda com cada premir do botão de mudança da velocidade da corrente.

O nível de velocidade no ecrã LCD apresenta o modo de velocidade ativo: uma barra para baixa velocidade, duas barras para velocidade média e três barras para alta velocidade. O modo de baixa velocidade (ECO) fornece um melhor controlo da máquina e maior tempo de funcionamento por carga.

M-1	Nível de velocidade	M-7	Nível da corrente de carga
M-2	Ícone de Bluetooth	M-8	Botão da luz dianteira/Bluetooth
M-3	Ícone da luz dianteira	M-9	Botão de alimentação do óleo
M-4	Ícone do travão	M-10	Botão de mudança da velocidade da corrente
M-5	Indicador de alta temperatura	M-11	Nível de saída do óleo
M-6	Círculo do manómetro do combustível	M-12	Indicador de pouco óleo

NOTA: Quando usar a bateria EGO com 4.0Ah ou menos, apenas o modo ECO estará disponível. Usar a bateria EGO com menos de 6.0Ah não lhe permitirá atingir a alta velocidade. Para um melhor desempenho, recomendamos fortemente a utilização de baterias da EGO com 6.0Ah (ex.: BA3360T) ou mais.

NOTA: A motosserra tem uma função de memória da velocidade da corrente. Da próxima vez que ligar a motosserra, o modo de velocidade usado anteriormente será ativado.

NOTA: O ecrã LCD acende quando o interruptor do gatilho for pressionado ou quando o botão de alimentação do óleo ou o botão da luz dianteira/Bluetooth for pressionado. Por definição, o ecrã LCD desliga-se automaticamente passado cerca de 1 minuto de inatividade.

NOTA: Pressionar o botão de mudança da velocidade da corrente não liga o ecrã LCD.

NÍVEL DE CARGA (Imagem M)

O nível de carga do lado direito do ecrã LCD apresenta a carga atual da máquina. Quanto mais barras houver, maior é a carga. Um número inferior de barras indica uma carga mais baixa.

Esta funcionalidade foi criada para utilizadores com experiência em motosserras a gasolina que podem não saber como é que a serra alimentada a bateria se comporta com diferentes cargas. Ajuda os utilizadores a monitorizar a carga de trabalho, para evitar um longo tempo de funcionamento com cargas pesadas, o que pode fazer com que a motosserra pare durante o funcionamento por ficar demasiado quente.

INDICADOR DE ALTA TEMPERATURA (Imagem M)

O indicador de alta temperatura acende quando a temperatura da máquina exceder os 90°C ou a temperatura da bateria exceder os 70°C durante o funcionamento. O circuito de proteção da temperatura desliga imediatamente a máquina para evitar danos devido a sobreaquecimento. Liberte o gatilho e espere até que a máquina ou a bateria sobreaquecida arrefeça e o indicador de alta temperatura se desligue. Depois, reinicie a máquina.

ÍCONE DO TRAVÃO (Imagem M)

O ícone do travão aparece no ecrã LCD quando a pá do travão estiver na posição de travagem.

O ícone do travão pisca quando o sistema omnidirecional do travão da corrente parar a serra. Consulte o capítulo seguinte para informação detalhada.

SISTEMA OMNIDIRECIONAL DO TRAVÃO DA CORRENTE (Imagem N1 e Imagem N2)

O sistema omnidirecional do travão da corrente não foi criado como substituto do travão da corrente padrão/tradicional. O utilizador nunca deverá confiar nesta funcionalidade durante o funcionamento da motosserra para se proteger de ressaltos. Siga sempre as instruções de segurança relacionadas com os ressaltos existentes na secção de avisos deste manual.

Quando o sistema omnidirecional do travão da corrente for ativado e parar a serra, o ícone do travão pisca no ecrã LCD (Imagem M). Liberte o interruptor do gatilho, retire a corrente da serra e a barra de orientação da madeira, depois volte a ligar a motosserra.

NOTA: Os sensores detetam apenas um movimento repentino da serra a nível da barra de orientação (Imagem N1). Os sensores não detetam qualquer movimento repentino da serra de lado (Imagem N2) (ou seja, perpendicular ao nível da barra de orientação).

NÍVEL DE SAÍDA DO ÓLEO E INDICADOR DE POUCO ÓLEO (Imagem M)

A máquina lubrifica automaticamente a corrente. Esta motosserra permite-lhe alterar a taxa de saída do óleo com cada premir do botão de alimentação do óleo.

NOTA: A taxa de saída do óleo só pode ser alterada quando a corrente da serra não estiver a funcionar.

O nível de saída do óleo no ecrã LCD apresenta a taxa de saída do óleo. Uma barra para uma taxa de saída baixa, duas barras para uma taxa de saída média e três barras para uma taxa de saída elevada.

Selecione uma taxa de saída mais elevada para uma

velocidade da corrente mais elevada. Se a corrente da serra ficar seca durante o funcionamento, pare o motor e selecione uma taxa de saída do óleo mais elevada.

Quando o nível do óleo estiver baixo, o indicador de pouco óleo por cima das barras de saída do óleo aparece no ecrã LCD e apenas a taxa de saída baixa estará disponível. Pare a motosserra e encha o depósito do óleo seguindo o capítulo **ENCHER O DEPÓSITO DO ÓLEO COM LUBRIFICANTE PARA A BARRA E CORRENTE**.

Após encher o depósito do óleo, deixe a motosserra funcionar durante cerca de 10 segundos para permitir que o sistema de lubrificação automática comece a funcionar e o indicador desaparece do ecrã LCD.

AVISO: Se o indicador continuar no ecrã LCD após efetuar os passos apresentados acima, o sistema poderá estar danificado. Pare de usar a motosserra e contacte um centro de reparação autorizado da EGO para proceder à reparação.

LUZ DIANTEIRA LED (Imagem O)

A luz dianteira LED encontra-se na frente da estrutura da motosserra. A luz dianteira fornece iluminação para uma visibilidade acrescida, e tem 2 níveis de luminosidade.

Para ligar a luz dianteira, prima uma vez o botão da luz dianteira/Bluetooth (Imagem M). A luz dianteira acende no nível de baixa luminosidade e o ícone da luz dianteira com baixa velocidade aparece no ecrã LCD. Prima de novo o botão da luz dianteira/Bluetooth para passar para o nível de alta luminosidade, e o ícone da luz dianteira com alta luminosidade aparece no ecrã LCD.

Para desligar a luz dianteira, prima o botão da luz dianteira/Bluetooth uma terceira vez, e o ícone da luz dianteira desaparece do ecrã LCD.

0-1	Ícone da luz dianteira com baixa luminosidade	0-3	Luz dianteira LED
0-2	Ícone da luz dianteira com alta luminosidade		

TECNOLOGIA DE COMUNICAÇÃO

Para mais informações sobre a nossa gama completa de produtos e serviços conectados, incluindo instruções de conexão, leia o código QR apresentado abaixo, ou visite www.egopowerplus.eu/connect.



SEGURAR CORRETAMENTE AS PEGAS (Imagem P1)

- Use luvas antiderrapantes para um fixar e proteção máximos.
- Com a serra numa superfície firme e plana, segure firmemente a serra com ambas as mãos.
- Segure sempre a pega dianteira com a mão esquerda e a pega traseira com a mão direita.
- Os dedos deverão envolver a pega, com o polegar por baixo da pega dianteira.

AVISO: Nunca use uma pega para canchotos (mãos cruzadas) nem nunca coloque o seu corpo ou braço através da linha da corrente.

AVISO: Não opere o interruptor do gatilho com a mão esquerda nem segure a pega dianteira com a mão direita. Nunca permita que alguma parte do seu corpo esteja em linha com a corrente enquanto utiliza a motosserra (Imagem P2).

POSIÇÃO ADEQUADA PARA O CORTE (IMAGEM Q)

- Ambos os pés deverão estar em chão sólido, com o peso dividido uniformemente entre eles.
- O braço esquerdo deverá estar esticado, com o cotovelo apertado. Isto ajuda a aguentar as forças geradas pelo ressalto.
- O seu corpo deverá estar sempre do lado esquerdo da linha da corrente.

INSTRUÇÕES RELACIONADAS COM AS TÉCNICAS CORRETAS PARA CORTE-CRUZADO, CORTE DE RAMOS E ABATE BÁSICO

AVISO: Certifique-se sempre de que está estável e segure firmemente a motosserra com ambas as mãos quando o motor estiver a funcionar.

AVISO: Quando a corrente da serra parar por ter ficado presa durante o corte, deixe de premir o interruptor do gatilho. Retire a corrente da serra e a barra de orientação da madeira e volte a ligar a motosserra.

AVISO: Não puxe a corrente da serra com a mão quando estiver presa pela serradura. Podem ocorrer ferimentos sérios se a motosserra se ligar acidentalmente. Pressione a motosserra contra a madeira, mova-a para a frente e para trás para retirar os resíduos. Retire sempre a bateria antes de proceder à limpeza. Use luvas de proteção resistentes quando montar a corrente da serra.

AVISO: Nunca ligue a motosserra quando estiver

em contacto com a madeira. Deixe a motosserra atingir a velocidade máxima antes de entrar em contacto com a madeira.

ABATE DE UMA ÁRVORE

- Quando operações de corte e abate estão a ser desempenhadas por duas ou mais pessoas ao mesmo tempo, a operação de abate deve ser separada da operação de corte por uma distância de, pelo menos, o dobro da altura da árvore para abate. As árvores não deverão ser abatidas de modo a colocar pessoas em perigo, a bater em linhas utilitárias ou a causar danos patrimoniais. Se a árvore entrar em contacto com linhas utilitárias, a empresa utilitária deverá ser notificada imediatamente.
- O operador da motosserra deverá manter-se do lado superior do terreno, pois é provável que a árvore role pela colina abaixo mal seja cortada.
- Deverá planejar um caminho de fuga antes de começar os cortes. O caminho de fuga deverá estender-se para trás e na diagonal para trás da linha esperada do abate, conforme apresentado na Imagem R.

R-1	Direção da queda
R-2	Caminho seguro de fuga

- Antes de iniciar o abate, considere a inclinação natural da árvore, a localização dos ramos de maior dimensão e a direção do vento para avaliar de que forma a árvore vai cair.
- Retire detritos, pedras, casca solta, pregos, agrafos e fios da árvore.

Corte de entalhe inferior

Faça o entalhe 1/3 do diâmetro da árvore, perpendicular à direção da queda, conforme indicado na Imagem S. Faça primeiro o entalhe horizontal inferior. Isto ajuda a evitar que a corrente da serra ou a barra de orientação fiquem presas quando efetuar o segundo entalhe.

S-1	Direção da queda	S-3	Corte traseiro de queda
S-2	Entalhe	S-4	Articulação

Corte traseiro de queda

- Faça o corte traseiro de queda a, pelo menos, 50 mm acima do corte de entalhe horizontal, conforme apresentado na Imagem S. Mantenha o corte traseiro de queda paralelo ao corte de entalhe horizontal. Faça o corte traseiro de queda de modo a

deixar madeira suficiente para agir como articulação. A madeira que serve de articulação impede a árvore de torcer e cair na direção errada. Não corte a parte que serve de articulação.

- À medida que o corte de derrube se aproxima da articulação, a árvore deve começar a cair. Se houver a possibilidade de a árvore não cair na direção desejada ou oscilar para trás e prender a motosserra, pare o corte antes de terminar o corte traseiro de queda e use calços de madeira, plástico ou alumínio para abrir o corte e fazer a árvore cair ao longo da linha desejada de queda.
- Quando a árvore começa a cair, retire a motosserra do corte, pare o motor, coloque a motosserra no chão e use o caminho de fuga, conforme planeado. Esteja atento a ramos por cima de si que estejam a cair, e mantenha uma base estável para os pés.

Corte de ramos de uma árvore

Deve cortar os ramos de uma árvore abatida. Quando cortar os ramos, deixe os ramos inferiores mais grossos para suportar o tronco do chão. Retire os ramos pequenos num corte, conforme apresentado na Imagem T. Os ramos sob tensão deverão ser cortados de baixo para cima, para evitar que a motosserra fique presa.

Cortar um tronco

Um tronco caído deverá ser cortado em pedaços. É importante certificar-se de que está bem apoiado e que o seu peso está bem distribuído em ambos os pés. Sempre que possível, o tronco deverá ser levantado e suportado, usando os ramos, troncos ou calços. Siga a direção simples para um corte fácil.

Quando o tronco está suportado ao longo de todo o seu comprimento, conforme apresentado na Imagem U1, corte-o do topo (corte superior).

Quando o tronco está suportado por uma extremidade, conforme apresentado na Imagem U2, corte 1/3 do diâmetro por baixo (corte inferior). A seguir, faça o corte final, fazendo o corte superior de encontro ao primeiro corte.

Quando o tronco está suportado em ambas as extremidades, conforme apresentado na Imagem U3, corte 1/3 do diâmetro por cima (corte superior). A seguir, faça o corte final, fazendo o corte inferior 2/3 de encontro ao primeiro corte.

Quando cortar um tronco numa encosta, fique sempre na parte superior do tronco, conforme apresentado na Imagem V.

Quando “cortar tudo” para manter um controlo completo,

liberte a pressão de corte perto da extremidade do corte sem deixar de segurar bem as pegas da motosserra. Não permita que a corrente entre em contacto com o chão. Após completar o corte, espere que a corrente da serra pare por completo antes de mover a motosserra. Pare sempre o motor antes de passar para outra árvore.

PT

MANUTENÇÃO

⚠ AVISO: Quando fizer reparações, utilize apenas peças de substituição idênticas. A utilização de outras peças pode dar origem a perigos ou danos no produto. Para garantir a segurança e bom funcionamento, todas as reparações deverão ser efetuadas por um técnico de reparação qualificado.

⚠ AVISO: Para evitar ferimentos sérios, retire sempre a bateria do produto antes de proceder à inspeção, limpeza ou manutenção. Uma ferramenta que funcione a bateria e que tenha a bateria inserida está sempre ligada e pode começar a funcionar acidentalmente.

⚠ AVISO: Quando limpar a motosserra, NÃO a coloque dentro de água ou de outros líquidos.

⚠ AVISO: Nunca permita que o líquido dos travões, gasolina, produtos à base de petróleo, óleos penetrantes, etc., entrem em contacto com as peças de plástico. Os químicos podem danificar, enfraquecer ou destruir o plástico, o que pode dar origem a ferimentos sérios.

LIMPEZA

- Após cada utilização, limpe os resíduos da corrente e barra de orientação com uma escova suave. Limpe a superfície da motosserra com um pano limpo embebido numa solução neutra de sabão.
- Retire a cobertura lateral e depois use uma escova suave para retirar os resíduos da barra de orientação, corrente da serra, roda dentada e cobertura lateral.
- Retire a cobertura inferior a cada 8 horas de funcionamento e use uma escova suave para eliminar os detritos no interior da máquina e na cobertura (Imagem W).
- Limpe sempre as lascas, serradura e sujidade da ranhura da barra de orientação quando voltar a colocar a corrente da serra.

MANUTENÇÃO DA BARRA DE ORIENTAÇÃO

Quando a barra de orientação apresentar sinais de desgaste, desmonte-a da cabeça do motor da motosserra e vire-a para a voltar a montar (Imagem X1). Nesse caso,

irá redistribuir o desgaste, para um tempo máximo de vida da barra.

A barra deverá ser limpa todos os dias em que for utilizada e verificada quanto a desgaste ou danos (Imagem X2). Empenos ou rebarbas das calhas da barra são um processo normal do desgaste da barra. Tais falhas deverão ser reparadas com recurso a uma lima, mal aconteçam. Uma barra com qualquer uma das seguintes falhas deverá ser substituída.

- Desgaste dentro das calhas da barra que permita à corrente ficar virada de lado.
- Barra de orientação dobrada.
- Calhas rachadas ou partidas.
- Calhas separadas.

Além disso, a barra de orientação tem uma roda dentada na ponta (Imagem X3).

A roda dentada tem de ser lubrificada todas as semanas com uma seringa de lubrificação para aumentar o tempo de vida útil da barra de orientação. Utilize uma seringa de lubrificação para lubrificar semanalmente com óleo de corrente através do orifício de lubrificação (Imagem W4). Vire a barra de orientação e certifique-se de que os orifícios de lubrificação e a ranhura da corrente não têm impurezas.

X-1	Calhas da barra	X-3	Orifício de lubrificação
X-2	Roda dentada na ponta da barra de orientação		

AVISO: Use lubrificantes autorizados EGO para melhores resultados.

TRANSPORTE E ARMAZENAMENTO

Não guarde nem transporte a motosserra a funcionar. Retire sempre a bateria antes de guardar ou transportar.

Coloque sempre a cobertura da barra de orientação e corrente antes de guardar ou transportar a motosserra. Tenha cuidado para evitar os dentes afiados da corrente.

Limpe bem a motosserra antes de a guardar. Guarde a motosserra no interior, num local seco fechado e/ou inacessível às crianças.

Mantenha afastado de agentes corrosivos, como químicos de jardinagem e sais de degelo.

PROTEJA O AMBIENTE



Não elimine equipamento elétrico, bateria gasta nem carregador juntamente com o lixo doméstico comum!

Leve este produto a um centro de reciclagem autorizado para que possa haver uma separação das peças.

As ferramentas elétricas têm de ser devolvidas em instalações de reciclagem ambientalmente compatíveis.

PT

⚠ AVISO: Proteja sempre as mãos usando luvas resistentes quando efetuar qualquer manutenção na corrente da serra. Retire sempre a bateria quando reparar ou transportar a motosserra.

PT

PROBLEMA	CAUSA	SOLUÇÃO
O motor não liga.	<ul style="list-style-type: none"> ■ A bateria não foi colocada na motosserra. ■ Não existe contacto elétrico entre a motosserra e a bateria. ■ Se o círculo do manómetro do combustível no ecrã LCD estiver a piscar, a bateria está gasta. ■ Se o indicador de alta temperatura aparecer no ecrã LCD, a bateria ou a motosserra está muito quente. ■ Se o ícone do travão da corrente aparecer no ecrã LCD, o travão da corrente está ativado. ■ Existem resíduos na ranhura da barra. ■ Existem resíduos na cobertura lateral. 	<ul style="list-style-type: none"> ■ Fixe a bateria na motosserra. ■ Retire a bateria, verifique os contactos e volte a instalar a bateria. ■ Carregue a bateria. ■ Deixe a bateria ou a motosserra arrefecer até que a temperatura desça abaixo dos 67°C. ■ Puxe a pá do travão do ressalto da corrente para trás na direção da pega dianteira para a posição de funcionamento. ■ Pressione a motosserra contra a madeira, mova-a para a frente e para trás para retirar os resíduos. ■ Retire a bateria, depois retire a cobertura lateral e limpe os resíduos.
O modo de velocidade não pode ser alterado.	<ul style="list-style-type: none"> ■ O botão de mudança de velocidade da corrente está preso devido a detritos. 	<ul style="list-style-type: none"> ■ Limpe os detritos em redor do botão de mudança da velocidade da corrente.
A motosserra pára de funcionar inesperadamente durante o trabalho.	<ul style="list-style-type: none"> ■ A motosserra está sobrecarregada. ■ Se o indicador de alta temperatura aparecer no ecrã LCD, a bateria ou a motosserra está muito quente. ■ A corrente da serra ficou presa na madeira. ■ Se o ícone do travão da corrente estiver a piscar no ecrã LCD, a serra foi parada pelo sistema omnidirecional do travão da corrente. 	<ul style="list-style-type: none"> ■ Diminua a carga. ■ Deixe a bateria ou a motosserra arrefecer até que a temperatura desça abaixo dos 67°C. ■ Liberte o interruptor do gatilho. Retire a corrente da serra e a barra de orientação da madeira, depois volte a ligar a motosserra. ■ Liberte o interruptor do gatilho. Retire a corrente da serra e a barra de orientação da madeira, depois volte a ligar a motosserra.
O motor funciona, mas a corrente não roda.	<ul style="list-style-type: none"> ■ A corrente não encaixa na roda dentada motriz. 	<ul style="list-style-type: none"> ■ Volte a instalar a corrente, certificando-se de que os elos condutores na corrente estão completamente assentes na roda dentada.

PROBLEMA	CAUSA	SOLUÇÃO
O travão da corrente não funciona.	<ul style="list-style-type: none"> Os resíduos impedem o movimento completo da pá do travão do ressalto da corrente. Possível mau funcionamento do travão da corrente. 	<ul style="list-style-type: none"> Limpe os resíduos do mecanismo externo do travão da corrente. Contacte o serviço de apoio ao cliente da EGO para proceder à reparação.
A motosserra não corta corretamente.	<ul style="list-style-type: none"> Tensão da corrente insuficiente. A corrente não está afiada. A corrente foi instalada para trás. Corrente gasta. Corrente seca ou excessivamente esticada. A corrente não se encontra na ranhura da barra. 	<ul style="list-style-type: none"> Volte a ajustar a tensão da corrente, tendo em conta a secção: “AJUSTAR A TENSÃO DA CORRENTE”. Afie a corrente. Volte a colocar a corrente da serra, de acordo com a secção “MONTAR/SUBSTITUIR A BARRA E A CORRENTE”. Substitua a corrente, tendo em conta a secção: “MONTAR/SUBSTITUIR A BARRA E A CORRENTE”. Verifique o nível do óleo. Volte a encher o depósito do óleo com um volume superior, se necessário. Volte a colocar a corrente da serra, tendo em conta a secção: “MONTAR/SUBSTITUIR A BARRA E A CORRENTE”.
A corrente fica solta ou descai da barra de orientação durante uma utilização normal.	<ul style="list-style-type: none"> A corrente fica solta à medida que a temperatura da corrente aumenta durante um funcionamento normal da serra. A corrente não encaixa na roda dentada motriz. 	<ul style="list-style-type: none"> Aperte a tensão da corrente de acordo com a secção “AJUSTAR A TENSÃO DA CORRENTE”. Volte a colocar a corrente da serra, tendo em conta a secção: “MONTAR/SUBSTITUIR A BARRA E A CORRENTE”.
A barra e a serra ficam quentes e deitam fumo.	<ul style="list-style-type: none"> Se o indicador de pouco óleo aparecer no ecrã LCD, o depósito do óleo da corrente está vazio. Existem resíduos na ranhura da barra de orientação. 	<ul style="list-style-type: none"> Verifique o nível do óleo. Encha o depósito do óleo, se necessário. Limpe os resíduos na ranhura.
O indicador de pouco óleo aparece no ecrã LCD, mesmo quando houver óleo suficiente no depósito do óleo. Ou mesmo que o depósito de óleo tenha falta de óleo, o ecrã LCD não mostra o indicador de pouco óleo.	<ul style="list-style-type: none"> O componente de deteção do nível do óleo ainda não detetou o verdadeiro nível do óleo devido ao óleo residual ou ar no tubo do óleo. Falha no componente de deteção do nível do óleo. 	<ul style="list-style-type: none"> Aguarde alguns minutos para que qualquer óleo residual ou ar seja drenado para fora do tubo do óleo.

GARANTIA

POLÍTICA DE GARANTIA EGO

Visite o website egopowerplus.eu para os termos e condições completos da política de garantia da EGO.

LEGGERE TUTTE LE ISTRUZIONI!



LEGGERE IL MANUALE DI ISTRUZIONI

AVVERTENZA! Per garantire sicurezza e affidabilità, tutte le operazioni di riparazione e sostituzione devono essere effettuate da un tecnico qualificato.

AVVERTENZA! Accertarsi di aver letto e compreso tutte le istruzioni di sicurezza in questo manuale, inclusi tutti i simboli di avvertenza come "PERICOLO", "AVVERTENZA" e "ATTENZIONE", prima di usare l'apparecchio. Il mancato rispetto di tutte le istruzioni elencate di seguito comporta il rischio di scossa elettrica, incendio e/o lesioni gravi.



Avvertenza di sicurezza



Indossare protezioni per gli occhi



Indossare protezioni per la testa



Prestare attenzione al rischio di contraccolpo della motosega ed evitare il contatto con la punta della barra guida.



Informazioni sulla barra guida



Livello di potenza sonora garantito Emissione acustica ambientale ai sensi della direttiva dell'Unione europea



Questo apparecchio è conforme alle direttive europee applicabili.



Bluetooth®

mm Millimetro

V Tensione

IPX5 Protezione contro i getti d'acqua

CONSERVARE TUTTE LE AVVERTENZE E LE ISTRUZIONI PER FUTURO RIFERIMENTO.

SIMBOLI DI SICUREZZA

AVVERTENZA! L'uso di apparecchi elettrici può causare il lancio di oggetti estranei verso l'operatore, con il rischio di lesioni gravi agli occhi. Durante l'uso dell'apparecchio, indossare sempre occhiali protettivi o occhiali di sicurezza con protezioni laterali e, se necessario, una maschera facciale. Si raccomanda di indossare una maschera di sicurezza con ampio campo visivo sopra gli occhiali o occhiali di sicurezza standard con protezioni laterali.



Per ridurre il rischio di infortuni, l'operatore deve leggere e comprendere tutte le istruzioni prima di usare questo prodotto.



Indossare protezioni per le orecchie



Indossare guanti protettivi



Contraccolpo della punta della barra guida



Usare la motosega sempre con due mani.



Gli apparecchi elettrici non devono essere smaltiti insieme ai rifiuti domestici. Portarli presso un centro di riciclaggio autorizzato.



Questo apparecchio è conforme alle direttive britanniche applicabili.



Corrente continua

n_0 Velocità a vuoto

./min Al minuto

SPECIFICHE TECNICHE

Tensione nominale	56V	
Velocità max della catena	30 m/s	
Partitura della catena	8.255 mm / 0.325"	
Larghezza della scanalatura	1.3 mm	
Lunghezza della barra guida	50 cm	
Modello catena	AC2035(Consigliato)	
	AC1635, AC1835 (Compatibile)	
Modello catena e barra di guida	AK2035 (Consigliato)	
	AK1635, AK1835 (Compatibile)	
Capacità del serbatoio dell'olio	250 ml	
Peso (senza gruppo batteria, catena, barra guida, copertura laterale, olio e coprilama)	4.3 kg	
Temperatura di funzionamento raccomandata	Da -15°C a 40°C	
Temperatura di conservazione raccomandata	Da -20°C a 70°C	
Temperatura di ricarica raccomandata	Da 5°C a 40°C	
Livello di potenza sonora misurato L_{WA}	102 dB(A)	
	K=2,3 dB(A)	
Livello di pressione sonora a livello dell'operatore L_{PA}	92 dB(A)	
	K=3 dB(A)	
Livello di potenza sonora garantito L_{WA} (misurato conformemente a 2000/14/EC)	104 dB(A)	
Vibrazioni a_h	Impugnatura anteriore	3,3 m/s ² K=1,5 m/s ²
	Impugnatura posteriore	1,74 m/s ² K=1,5 m/s ²

- Il valore totale di emissione delle vibrazioni dichiarato è stato misurato con un metodo di valutazione standard e può essere utilizzato per confrontare l'apparecchio con altri prodotti analoghi.
- Il valore totale di emissione delle vibrazioni dichiarato può essere utilizzato anche per una valutazione preliminare dei livelli di esposizione.

NOTA: il valore di emissione delle vibrazioni durante l'uso effettivo dell'apparecchio può variare rispetto al

valore totale dichiarato in base alla modalità di utilizzo dell'apparecchio. Per proteggersi, l'operatore deve indossare guanti e dispositivi di protezione per le orecchie in base alle condizioni di utilizzo effettive.

CONTENUTO DELL'IMBALLAGGIO (FIG. A1)

DESCRIZIONE

DESCRIZIONE DELLA MOTOSEGA (Fig. A1)

1. Catena
2. Leva del freno catena anti-contraccolpo
3. Impugnatura anteriore
4. Display LCD
5. Livello di velocità
6. Icona Bluetooth
7. Icona della luce anteriore
8. Icona del freno
9. Indicatore alta temperatura
10. Indicatore circolare livello di carica
11. Livello corrente carico
12. Indicatore basso livello olio
13. Pulsante della luce anteriore/Bluetooth
14. Pulsante di alimentazione dell'olio
15. Livello di uscita dell'olio
16. Pulsante di sbloccaggio
17. Interruttore a grilletto
18. Impugnatura posteriore
19. Cambio velocità catena
20. Pulsante di rilascio della batteria
21. Finestra di ispezione dell'olio
22. Tappo del serbatoio dell'olio
23. Barra guida
24. Foro di lubrificazione
25. Bullone di tensione della catena
26. Copertura laterale
27. Dadi di bloccaggio
28. Spuntoni di appoggio
29. Luce anteriore
30. Coprilama
31. Chiave multiuso

ASSEMBLAGGIO

ASSEMBLAGGIO/SOSTITUZIONE DI BARRA E CATENA

AVVERTENZA! Portare l'impugnatura del freno catena anti-contraccolpo in posizione di innescio prima dell'assemblaggio.

1. Posizionare la motosega su un lato, con la copertura laterale rivolta verso l'alto (Fig. B).
2. Rimuovere la copertura laterale ruotando i due dadi

IT

- di bloccaggio in senso antiorario.
- Ruotare il bullone di tensione della catena in senso antiorario per diminuire la tensione della catena.
 - Disporre la catena ad anello su una superficie piana, raddrizzando eventuali pieghe (Fig. C).
 - Posizionare le maglie di trascinamento nella scanalatura della barra guida e posizionare la catena in modo tale che formi un anello alla fine della barra guida (Fig. D).
 - Tenere la catena in posizione sulla barra guida e posizionare l'anello intorno al pignone della motosega (Fig. E1).

B-1	Dadi di bloccaggio	D-2	Scanalatura della barra guida
B-2	Bullone di tensione della catena	E-1	Pignone
D-1	Maglie di trascinamento		

NOTA: durante l'avvolgimento della catena sulla barra guida, accertarsi che, dopo aver installato la barra guida sulla motosega, la direzione di taglio corrisponda all'icona di taglio ed alla freccia della direzione di rotazione sull'alloggiamento. Se i denti sono orientati in direzione opposta, rimuovere la catena e avvolgerla intorno alla barra guida in modo tale che le frecce siano rivolte nella stessa direzione. (Fig. E2).

- Riposizionare la copertura laterale sull'alloggiamento motosega e serrare a fondo i due dadi di bloccaggio.
- Ruotare la catena manualmente per assicurarsi che sia installata correttamente e non si inceppi. In caso contrario, reinstallare la barra e la catena.

NOTA: per estendere la durata di vita della barra di guida, invertirla di tanto in tanto.

REGOLAZIONE DELLA TENSIONE DELLA CATENA

- Arrestare il motore e rimuovere il gruppo batteria prima di regolare la tensione della catena. Ruotare il bullone di tensione della catena in senso orario o antiorario (Fig. F) finché la catena non aderisce alla barra guida con le maglie di trascinamento nella scanalatura della barra.
- Una catena fredda è tesa correttamente quando la catena è aderente alla parte inferiore della barra, ma è possibile ruotarla a mano senza piegarla. È necessario regolare nuovamente la tensione della

catena quando la parte superiore delle maglie di trascinamento non rimangono nella scanalatura della barra.

- Durante il normale funzionamento della motosega, la temperatura della catena aumenta. Le maglie di trascinamento di una catena calda tesa correttamente pendono di circa 1,3 mm dalla scanalatura della barra guida (Fig. G).

NOTA: le catene nuove tendono ad allungarsi; controllare la tensione della catena frequentemente.

NOTA: una catena che viene tesa mentre è calda può diventare troppo stretta quando si raffredda. Controllare la tensione a freddo prima del successivo utilizzo.

UTILIZZO

AVVERTENZA! La familiarità con questo apparecchio non deve rendere l'operatore disattento. Anche un solo momento di disattenzione comporta il rischio di lesioni gravi.

AVVERTENZA! Non usare accessori non raccomandati dal costruttore dell'apparecchio. L'uso di accessori non raccomandati comporta il rischio di lesioni gravi.

AVVERTENZA! Per evitare l'avvio accidentale e il conseguente rischio di lesioni gravi, rimuovere sempre il gruppo batteria dall'apparecchio durante l'assemblaggio dei componenti, le operazioni di regolazione e pulizia e quando non è in uso.

Prima di ogni utilizzo, ispezionare l'intero apparecchio per verificare che nessun elemento sia mancante e non siano presenti componenti danneggiati o allentati, ad esempio viti, bulloni, cappucci, ecc. Serrare saldamente tutti i dispositivi di fissaggio e non usare l'apparecchio finché tutti i componenti mancanti o danneggiati non vengono sostituiti.

APPLICAZIONI

Questo prodotto è destinato alle operazioni di abbattimento, diramatura, potatura e depezzatura di alberi e legname.

NOTA: usare l'apparecchio esclusivamente per gli scopi previsti. Altri utilizzi sono da considerarsi impropri.

AGGIUNTA DEL LUBRIFICANTE PER BARRA E CATENA

AVVERTENZA! Non fumare in prossimità dell'olio o della motosega e non avvicinare fonti di fuoco o fiamme. L'olio può fuoriuscire e causare un incendio.

NOTA: La motosega è priva di olio al momento dell'acquisto. È essenziale riempire il serbatoio con l'olio prima dell'uso. La catena viene automaticamente lubrificata con l'olio durante il funzionamento.

1. Posizionare la motosega su un lato, con il tappo del serbatoio dell'olio rivolto in avanti.
2. Pulire il tappo del serbatoio dell'olio e l'area circostante per evitare che la sporcizia penetri all'interno del serbatoio.
3. Sollevare la piastra semicircolare e ruotare il tappo del serbatoio dell'olio in senso antiorario per rimuoverlo (Fig. H).
4. Versare con attenzione l'olio per barra e catena nel serbatoio. Riempirlo fino alla parte inferiore del collo di riempimento.
5. Rimuovere eventuali eccedenze d'olio e riposizionare il tappo.

NOTA: controllare frequentemente l'olio e riempire il serbatoio quando il livello dell'olio è inferiore alla linea minima. Non usare la motosega se l'olio non è visibile.

INSTALLAZIONE/RIMOZIONE DEL GRUPPO BATTERIA

NOTA L'indicatore circolare dell'autonomia sullo schermo LCD indica il livello di carica della batteria (Fig. A1). L'indicatore circolare lampeggia quando la carica della batteria è prossima all'esaurimento. Ricaricare completamente il gruppo batteria prima del primo utilizzo.

Usare esclusivamente i gruppi batteria e i caricabatteria EGO elencati in Fig. A2.

Ricaricare completamente la batteria prima del primo utilizzo.

Installazione

Allineare i rilievi sul gruppo batteria con le scanalature di fissaggio e premere il gruppo batteria fino al "clic" (Fig. I).

Rimozione

Premere il pulsante di rilascio della batteria ed estrarre il gruppo batteria (Fig. J).

AVVIO/ARRESTO DELLA MOTOSEGA

NOTA: prima di avviare la motosega, controllare il livello dell'olio, l'affilatura dei denti di taglio della catena e il corretto funzionamento della leva del freno catena. Assumere una posizione in equilibrio e osservare una corretta distanza dal terreno.

Avvio (Fig. K)

1. Spingere la leva del freno catena anti-contraccolpo verso l'impugnatura anteriore in posizione operativa (Fig. K).
2. Afferrare saldamente l'impugnatura anteriore con la mano **sinistra** e l'impugnatura posteriore con la mano **destra**.

AVVERTENZA! Per evitare il rischio di lesioni, usare la motosega afferrando l'area di presa dell'impugnatura posteriore con la mano destra (Fig. L).

3. Per avviare la sega, tenere premuto il pulsante di sbloccaggio con il pollice della mano destra, e contemporaneamente premere l'interruttore a grilletto con le dita della mano destra (Fig. L).

L-1	Area di presa
-----	---------------

4. Rilasciare il pulsante di sbloccaggio e continuare a premere l'interruttore per il funzionamento continuo.
5. Maggiore è la pressione sull'interruttore, maggiore è la velocità della catena. Regolare la velocità in base al lavoro da svolgere.

AVVERTENZA! Non tentare di avviare la sega quando la catena è all'interno di un taglio.

Arresto

1. Allontanare la motosega dall'area di taglio, quindi rilasciare l'interruttore a grilletto per arrestarla.
2. Spingere la leva del freno catena anti-contraccolpo in avanti per innestare il freno catena (Fig. K).

AVVERTENZA! Rimuovere il gruppo batteria dall'apparecchio durante le pause e al termine del lavoro.

SELEZIONE DELLA VELOCITÀ (FIG. M)

L'apparecchio dispone di tre livelli di velocità. Ciascun livello limita la velocità massima della catena. La velocità cambierà a ogni pressione del selettore velocità della catena.

L'indicatore della velocità sul display LCD mostra il livello di velocità corrente: una barra per bassa velocità, due barre per media velocità e tre barre per alta velocità. La bassa velocità (ECO) migliora il controllo dell'apparecchio e aumenta l'autonomia.

M-1	Livello di velocità	M-7	Livello corrente carico
M-2	Icona Bluetooth	M-8	Pulsante della luce anteriore/Bluetooth
M-3	Icona della luce anteriore	M-9	Pulsante di alimentazione dell'olio
M-4	Icona del freno	M-10	Cambio velocità catena
M-5	Indicatore alta temperatura	M-11	Livello di uscita dell'olio
M-6	Indicatore circolare livello di carica	M-12	Indicatore basso livello olio

NOTA Quando si usa un gruppo batteria EGO da 4,0 Ah o meno, è disponibile solo la modalità ECO. I gruppi batteria EGO con meno di 6,0 Ah non permettono di raggiungere la massima velocità. Per le migliori prestazioni, si raccomanda di usare gruppi batterie EGO da almeno 6,0 Ah (ad es. BA3360T).

NOTA La motosega è dotata della funzione di memoria della velocità della catena. Alla successiva accensione della motosega, verrà attivato il livello di velocità utilizzato in precedenza.

NOTA Il display LCD si illumina alla pressione dell'interruttore a grilletto o del pulsante di alimentazione dell'olio o di quello della luce anteriore/Bluetooth. Per impostazione predefinita, il display LCD si spegne automaticamente dopo circa 1 secondo di inattività.

NOTA Premendo il cambio di velocità catena non si accende lo schermo LCD.

LIVELLO CARICO (Fig. M)

L'indicatore del livello di carico sul lato destro dello schermo LCD mostra il carico attuale sulla macchina. Un numero maggiore di barre indica un carico maggiore e un numero inferiore di barre indica un carico inferiore.

Questa funzione è rivolta principalmente agli utenti esperti di motoseghe alimentate a gas che potrebbero non avere la «sensazione» di come si comporta la sega a batteria sotto carichi diversi. Aiuta gli utenti a monitorare il carico di lavoro in modo da evitare operazioni prolungate sotto carichi pesanti, il che può causare l'arresto della motosega durante il funzionamento a causa del surriscaldamento.

INDICATORE DI ALTA TEMPERATURA (Fig. M)

L'indicatore di alta temperatura si illumina quando la temperatura della macchina supera i 194°F (90°C) o

la temperatura della batteria supera i 158°F (70°C) durante il funzionamento. Il circuito di protezione della temperatura spegnerà immediatamente la macchina per evitare danni da surriscaldamento. Rilasciare il grilletto e attendere che la macchina o la batteria surriscaldate si raffreddino e che l'indicatore di alta temperatura si spenga, quindi riavviare la macchina.

ICONA DEL FRENO (Fig. M)

L'icona del freno appare sullo schermo LCD quando la paletta del freno è in posizione di frenata.

L'icona del freno lampeggia quando il sistema frenante catena omnidirezionale arresta la sega. Per informazioni dettagliate, consultare il capitolo successivo.

SISTEMA FRENANTE CATENA OMNIDIREZIONALE (Fig. N1 e N2)

Il sistema frenante della catena omnidirezionale non ha la funzione di sostituire il freno catena standard/tradizionale. L'operatore non deve affidarsi a questa funzione durante l'uso della motosega per proteggersi contro il rischio di contraccolpo. Rispettare sempre le istruzioni per evitare il rischio di contraccolpo riportate nella sezione delle avvertenze di sicurezza di questo manuale.

Quando il sistema frenante della catena omnidirezionale si attiva e arresta la motosega, l'icona del freno lampeggia sul display LCD (Fig. M). Rilasciare l'interruttore a grilletto; rimuovere la catena e la barra guida dal legno, quindi riavviare la motosega.

NOTA I sensori rilevano esclusivamente il movimento improvviso della motosega sul piano della barra guida (Fig. N1). I sensori non rilevano alcun movimento improvviso laterale della motosega, ovvero perpendicolare al piano della barra guida (Fig. N2).

LIVELLO DI USCITA DELL'OLIO E INDICATORE DI BASSO LIVELLO OLIO (Fig. M)

La macchina lubrifica automaticamente la catena. Questa motosega consente di modificare la velocità di uscita dell'olio ad ogni pressione del pulsante di alimentazione dell'olio.

NOTA La velocità di uscita dell'olio può essere modificata solo quando la catena della sega non è in funzione.

Il livello di uscita dell'olio sullo schermo LCD mostra la velocità di uscita dell'olio. Una barra per una bassa velocità di uscita, due barre per una velocità di uscita media e tre barre per una velocità di uscita elevata.

Scegliete una velocità di uscita elevata per le velocità maggiori della catena. Se la catena della sega si asciuga

durante il lavoro, spegnete il motore e scegliete una velocità di uscita dell'olio più elevata.

Quando il livello dell'olio è basso, sullo schermo LCD appare l'indicatore di basso livello dell'olio sopra le barre di uscita dell'olio e sarà disponibile solo la bassa velocità di uscita. Fermare la motosega e riempire il serbatoio dell'olio seguendo il capitolo **RIEMPIMENTO DEL SERBATOIO DELL'OLIO CON LUBRIFICANTE PER BARRA E CATENA**.

Dopo aver riempito il serbatoio dell'olio, far funzionare la motosega per circa 10 secondi per consentire al sistema di lubrificazione automatica di iniziare a funzionare e l'indicatore scomparirà dallo schermo LCD.

NOTA: Se l'indicatore è ancora sullo schermo LCD dopo aver eseguito i passaggi precedenti, il sistema potrebbe essere danneggiato. Smettere di usare la motosega e contattare un centro di assistenza autorizzato EGO per la riparazione.

LUCE ANTERIORE (Fig. O)

La luce è situata sulla parte anteriore della motosega. La luce anteriore aumenta la visibilità ed è dotata di 2 livelli di luminosità.

Per accendere la luce anteriore, premere una volta il pulsante della luce anteriore/Bluetooth (Fig. M). La luce si accenderà a bassa luminosità, e sul display LCD apparirà l'icona della luce anteriore a bassa luminosità. Premere nuovamente il pulsante della luce anteriore/Bluetooth per aumentare la luminosità della luce; sul display LCD apparirà l'icona della luce anteriore ad alta luminosità.

Per spegnere la luce anteriore premere nuovamente il pulsante della luce anteriore/Bluetooth; l'icona della luce anteriore scomparirà dal display LCD.

0-1	Icona della luce anteriore a bassa luminosità	0-3	Luce anteriore
0-2	Icona della luce anteriore ad alta luminosità		

TECNOLOGIA DI CONNESSIONE

Per maggiori informazioni sulla gamma completa dei prodotti e dei servizi connessi, comprese le istruzioni di connessione, scansionare il seguente codice QR o visitare il sito web www.egopowerplus.eu/connect.



PRESA CORRETTA SULLE IMPUGNATURE (FIG. P1)

- Indossare guanti antiscivolo per la massima aderenza e protezione.
- Con i piedi su una superficie solida e piana, impugnare saldamente la motosega con entrambe le mani.
- Afferrare saldamente l'impugnatura anteriore con la mano sinistra e l'impugnatura posteriore con la mano destra.
- Le dita devono avvolgere l'impugnatura, con il pollice al di sotto dell'impugnatura anteriore.

AVVERTENZA! Non usare mai una presa mancina (a mani invertite) e non assumere mai posizioni in cui il corpo o il braccio si trovano oltre la linea della catena.

AVVERTENZA! Non premere l'interruttore a grilletto con la mano sinistra e non tenere l'impugnatura anteriore con la mano destra. Durante l'uso della motosega far attenzione che nessuna parte del corpo venga a trovarsi lungo la linea della catena (Fig. P2).

POSIZIONE DI TAGLIO CORRETTA (FIG. Q)

- Entrambi i piedi devono poggiare su un terreno solido, con il peso distribuito uniformemente tra di essi.
- Il braccio sinistro deve essere teso, con il gomito bloccato per poter resistere alle forze generate dal contraccolpo.
- Il corpo deve sempre trovarsi a sinistra della linea della catena.

TECNICHE CORRETTE PER LE OPERAZIONI DI ABBATTIMENTO, DIRAMATURA E TAGLIO TRASVERSALE

AVVERTENZA! Mantenere una posizione in equilibrio e afferrare saldamente la motosega con entrambe le mani mentre il motore è in funzione.

AVVERTENZA! Se la catena della motosega si arresta durante il taglio perché si è inceppata, rilasciare l'interruttore a grilletto; rimuovere catena e barra guida dal legno, quindi riavviare la motosega.

AVVERTENZA! Non tirare la motosega con le mani quando è incastrata nella segatura. L'avvio accidentale della motosega comporta il rischio di lesioni gravi. Premere la motosega contro il legno e muoverla avanti e indietro per rimuovere i detriti. Rimuovere il gruppo batteria prima di pulirla. Indossare guanti di protezione durante la manipolazione della catena.

⚠ AVVERTENZA! Non avviare mai la motosega quando è a contatto con il legno. Attendere sempre che la motosega raggiunga la massima velocità prima di avvicinarla al legno.

ABBATTIMENTO DI UN ALBERO

- Se le operazioni di taglio a pezzi o abbattimento sono eseguite da due o più persone contemporaneamente, la distanza tra gli operatori che tagliano il legno e quelli che abbattono l'albero deve essere pari ad almeno due volte l'altezza dell'albero da abbattere. Gli alberi devono essere abbattuti in modo tale da evitare di causare pericolo per altre persone, colpire linee di alimentazione o provocare danni materiali. Se l'albero entra in contatto con una linea di fornitura pubblica, informare immediatamente l'azienda fornitrice.
- Durante il taglio su terreni in pendenza, l'operatore deve posizionarsi sempre a monte dell'albero, poiché è probabile che l'albero rotoli o scivoli in discesa dopo l'abbattimento.
- Prima di iniziare il taglio, individuare e predisporre una via di fuga. La via di fuga deve condurre nella direzione diagonalmente opposta alla linea di caduta prevista, come illustrato in Fig. R.

R-1	Direzione di abbattimento
R-2	Via di fuga sicura

- Per determinare la direzione di caduta dell'albero, prima dell'abbattimento è necessario valutare la pendenza naturale dell'albero, la posizione dei rami più grossi e la direzione del vento.
- Rimuovere dall'albero pietre, sporcizia, pezzi di corteccia, chiodi, graffette e cavi.

Taglio direzionale

Effettuare un intaglio pari a 1/3 del diametro dell'albero, perpendicolarmente alla direzione di caduta come illustrato in Fig S. Praticare per primo l'intaglio inferiore orizzontale per evitare che la catena o la barra guida si inceppino durante l'esecuzione del secondo intaglio.

S-1	Direzione di caduta	S-3	Taglio di abbattimento
S-2	Intaglio	S-4	Cerniera

Taglio di abbattimento

- Praticare il taglio di abbattimento almeno

50 mm sopra l'intaglio direzionale orizzontale, come illustrato in Fig. S. Mantenere il taglio di abbattimento parallelo all'intaglio orizzontale. Effettuare il taglio lasciando una quantità di legno sufficiente affinché funga da cerniera. La cerniera impedisce all'albero di ruotare su se stesso e cadere nella direzione errata. Non tagliare la cerniera.

- Quando il taglio si avvicina alla cerniera, l'albero inizia a cadere. Se si teme che l'albero non cada nella direzione desiderata o che possa piegarsi all'indietro e bloccare la catena della motosega, interrompere il taglio di abbattimento e inserire cunei in legno, plastica o alluminio per aprire il taglio e dare all'albero la linea di caduta desiderata.
- Quando l'albero inizia a cadere, rimuovere la motosega dal taglio, arrestare il motore, posarla e abbandonare l'area di pericolo utilizzando la via di fuga programmata. Prestare attenzione ai rami che potrebbero cadere e a non inciampare.

Diramatura di un albero

La diramatura è il taglio dei rami di un albero abbattuto. Durante la diramatura, lasciare i rami inferiori più grandi e utilizzarli per tenere il tronco sollevato dal terreno. Rimuovere i rami più piccoli con un taglio solo, come illustrato in Fig. T. I rami in tensione devono essere tagliati dal basso verso l'alto per evitare che la catena rimanga incastrata.

Depezzatura

La depezzatura consiste nel tagliare un tronco abbattuto in pezzi. È importante mantenere sempre il contatto con il terreno, con il peso distribuito su entrambi i piedi. Se possibile, il tronco deve essere rialzato e sostenuto da rami, ceppi o cunei. Per effettuare il taglio, procedere come descritto di seguito.

Quando il tronco è sostenuto per tutta la sua lunghezza, come illustrato in figura U1, deve essere tagliato dall'alto (taglio superiore).

Quando il tronco è sostenuto da una sola estremità, come illustrato in Fig. U2, tagliare 1/3 del diametro dal basso (taglio inferiore). Quindi effettuare il taglio finale partendo dall'alto, fino a incontrare il primo taglio.

Quando il tronco è sostenuto da entrambe le estremità, come illustrato in Fig. U3, tagliare 1/3 del diametro dall'alto (taglio superiore). Quindi praticare il taglio finale tagliando i 2/3 inferiori per incontrare il primo taglio.

Durante la depezzatura su terreni in pendenza, l'operatore deve posizionarsi sempre a monte del tronco, come illustrato in Fig. V.

Per mantenere il controllo della motosega quando si

taglia completamente un tronco, ridurre la pressione sull'apparecchio verso la fine del taglio senza allentare la presa sulle impugnature. Non lasciare che la catena entri a contatto con il terreno. Una volta completato il taglio, attendere che la catena si arresti prima di spostare la motosega. Arrestare sempre il motore prima di spostarsi da un albero all'altro.

MANUTENZIONE

⚠ AVVERTENZA! Per la riparazione, usare esclusivamente parti di ricambio identiche. L'uso di altri ricambi comporta situazioni pericolose o il rischio di danni al prodotto. Per garantire sicurezza e affidabilità, tutte le operazioni di riparazione e sostituzione devono essere effettuate da un tecnico qualificato.

⚠ AVVERTENZA! Per evitare il rischio di lesioni gravi, rimuovere sempre il gruppo batteria dall'apparecchio prima delle operazioni di ispezione, pulizia o manutenzione. Un apparecchio elettrico con il gruppo batteria inserito è sempre acceso e può avviarsi accidentalmente.

⚠ AVVERTENZA! Durante la pulizia della motosega, NON immergerla in acqua o altri liquidi.

⚠ AVVERTENZA! Impedire il contatto di liquido per freni, benzina, prodotti a base di petrolio, oli penetranti, ecc. con le parti in plastica. Le sostanze chimiche possono danneggiare, indebolire o distruggere la plastica, con il rischio di lesioni gravi.

PULIZIA

- Dopo ogni utilizzo, rimuovere i detriti dalla barra e dalla catena con una spazzola morbida. Pulire la superficie della motosega con un panno pulito inumidito con acqua saponata.
- Rimuovere la copertura laterale, quindi usare una spazzola morbida per rimuovere i detriti da barra guida, catena, pignone e copertura laterale.
- Rimuovere il coperchio inferiore ogni 8 ore circa di funzionamento, quindi utilizzare un pennello morbido per rimuovere i detriti all'interno della macchina e sul coperchio (Fig. W).
- Rimuovere sempre eventuali frammenti di legno, segatura e sporcizia dalla scanalatura della barra guida durante la sostituzione della catena.

MANUTENZIONE DELLA BARRA GUIDA

Quando la barra guida mostra segni di usura, rimuoverla dall'unità motore della motosega e riassemblarla

invertita (Fig. X1), per distribuire uniformemente l'usura e prolungare la durata di vita della barra.

La barra deve essere pulita ogni giorno di utilizzo e ispezionata per verificare che non sia usurata o danneggiata (Fig. X2). La sbavatura o la smussatura dei binari della barra è un normale processo dell'usura della barra. Tali difetti devono essere immediatamente corretti con una lima. Un barra con i difetti elencati di seguito deve essere sostituita.

- Usura all'interno dei binari della barra che mantengono la catena in posizione
- Barra guida piegata
- Binari incrinati o rotti
- Allargamento dei binari

Inoltre, la barra guida è dotata di un pignone sulla punta (Fig. X3).

Il pignone deve essere lubrificato settimanalmente con un'apposita siringa per prolungare la durata di vita della barra guida. Usare una siringa per grasso per lubrificarlo settimanalmente con olio per catena attraverso il foro di lubrificazione (Fig. W4). Capovolgere la barra guida e controllare che i fori di lubrificazione e la scanalatura della barra siano privi di impurità.

X-1	Binari della barra	X-3	Foro di lubrificazione
X-2	Pignone nella punta della barra guida		

NOTA: per le migliori prestazioni, usare olio autorizzato da EGO.

TRASPORTO E CONSERVAZIONE

Non conservare o trasportare la motosega quando è in funzione. Rimuovere sempre il gruppo batteria prima di riporla o trasportarla.

Installare sempre il coprilama a prima di riporre o trasportare la motosega. Prestare attenzione per evitare il contatto con i denti affilati della catena.

Pulire accuratamente la motosega prima di riporla. Conservare la motosega in interni, in un luogo asciutto, al chiuso e/o inaccessibile ai bambini

e al riparo da agenti corrosivi, ad esempio sostanze chimiche per il giardinaggio e sale per disgelo.

PROTEZIONE DELL'AMBIENTE



Non smaltire gli apparecchi elettrici, i caricabatteria e le batterie insieme ai rifiuti domestici.

Portare il prodotto presso un centro di riciclaggio autorizzato affinché venga raccolto separatamente. Gli apparecchi elettrici devono essere portati presso un centro di riciclaggio ecocompatibile.

IT

RISOLUZIONE DEI PROBLEMI

AVVERTENZA! Proteggere sempre le mani indossando guanti robusti durante qualsiasi operazione di manutenzione sulla motosega. Rimuovere sempre il gruppo batteria durante la riparazione o il trasporto della motosega.

PROBLEMA	CAUSA	SOLUZIONE
Il motore non si avvia.	<ul style="list-style-type: none"> ■ Il gruppo batteria non è installato nella motosega. ■ Nessun contatto elettrico tra la motosega e il gruppo batteria. ■ Se Indicatore circolare dell'autonomia lampeggia sullo schermo LCD, la batteria è scarica. ■ Se l'indicatore di alta temperatura appare sullo schermo LCD, la batteria o la motosega sono troppo calde. ■ Se l'icona del freno catena appare sullo schermo LCD, significa che il freno catena è inserito. ■ Presenza di detriti nella scanalatura della barra. ■ Detriti nella copertura laterale. 	<ul style="list-style-type: none"> ■ Installare il gruppo batteria nella motosega. ■ Rimuovere il gruppo batteria, ispezionare i contatti e reinstallare il gruppo batteria. ■ Ricaricare il gruppo batteria. ■ Attendere che la temperatura del gruppo batteria o della motosega scenda al di sotto di 67°C. ■ Spingere la leva del freno catena verso l'impugnatura anteriore, in posizione operativa. ■ Premere la motosega contro il legno e muoverla avanti e indietro per rimuovere i detriti. ■ Rimuovere il gruppo batteria, quindi rimuovere la copertura laterale ed eliminare i detriti.
Non è possibile modificare la velocità.	<ul style="list-style-type: none"> ■ Il commutatore della velocità della catena è bloccato da detriti. 	<ul style="list-style-type: none"> ■ Rimuovere i detriti intorno al commutatore della velocità.
La motosega si arresta inaspettatamente durante il funzionamento.	<ul style="list-style-type: none"> ■ La motosega è sovraccarica. ■ Se l'indicatore di alta temperatura appare sullo schermo LCD, la batteria o la motosega sono troppo calde. ■ La catena è incastrata nel legno. ■ Se l'icona del freno lampeggia sullo schermo LCD, la sega è arrestata dal sistema frenante catena omnidirezionale. 	<ul style="list-style-type: none"> ■ Diminuire il carico. ■ Attendere che la temperatura del gruppo batteria o della motosega scenda al di sotto di 67°C. ■ Rilasciare l'interruttore a grilletto; rimuovere la catena e la barra guida dal legno, quindi riavviare la motosega. ■ Rilasciare l'interruttore a grilletto; rimuovere la catena e la barra guida dal legno, quindi riavviare la motosega.
Il motore funziona ma la catena non ruota.	<ul style="list-style-type: none"> ■ La catena non ingrana il pignone. 	<ul style="list-style-type: none"> ■ Reinstallare la catena, assicurandosi che le maglie di trascinalimento sulla catena siano posizionate correttamente sul pignone.

PROBLEMA	CAUSA	SOLUZIONE
Il freno catena non si innesca.	<ul style="list-style-type: none"> ■ I detriti impediscono il movimento completo della leva del freno catena. ■ Malfunzionamento del freno catena. 	<ul style="list-style-type: none"> ■ Rimuovere i detriti dal meccanismo esterno del freno catena. ■ Contattare il centro di assistenza EGO per la riparazione.
La motosega non taglia correttamente.	<ul style="list-style-type: none"> ■ La tensione della catena è insufficiente. ■ La catena è smussata. ■ La catena è installata in senso inverso. ■ La catena è usurata. ■ La catena è secca o eccessivamente allungata. ■ La catena non è posizionata nella scanalatura della barra. 	<ul style="list-style-type: none"> ■ Regolare nuovamente la tensione della catena, come descritto alla sezione "REGOLAZIONE DELLA TENSIONE DELLA CATENA". ■ Affilare la catena. ■ Reinstallare la catena come descritto alla sezione "ASSEMBLAGGIO/ SOSTITUZIONE DI BARRA E CATENA". ■ Sostituire la catena, come descritto alla sezione "ASSEMBLAGGIO/ SOSTITUZIONE DI BARRA E CATENA". ■ Controllare il livello dell'olio. Riempire il serbatoio dell'olio e aumentare la quantità di olio. ■ Reinstallare la catena come descritto alla sezione "ASSEMBLAGGIO/ SOSTITUZIONE DI BARRA E CATENA".
La catena si allenta o cade dalla barra guida durante l'uso normale.	<ul style="list-style-type: none"> ■ La catena si allenta mano a mano che la sua temperatura aumenta durante l'uso normale della motosega. ■ La catena non ingrana il pignone. 	<ul style="list-style-type: none"> ■ Regolare la tensione della catena come descritto alla sezione "REGOLAZIONE DELLA TENSIONE DELLA CATENA". ■ Reinstallare la catena come descritto alla sezione "ASSEMBLAGGIO/ SOSTITUZIONE DI BARRA E CATENA".
La barra e la catena diventano calde ed emettono fumo.	<ul style="list-style-type: none"> ■ Se sullo schermo LCD appare l'indicatore di basso livello dell'olio, il serbatoio dell'olio della catena è vuoto. ■ Presenza di detriti nella scanalatura della barra guida. 	<ul style="list-style-type: none"> ■ Controllare il livello dell'olio. Riempire il serbatoio dell'olio, se necessario. ■ Eliminare i detriti nella scanalatura.
L'indicatore dell'olio si illumina sul display anche se il livello dell'olio è sufficiente. Oppure, l'indicatore dell'olio non si illumina sul display quando il livello dell'olio è insufficiente.	<ul style="list-style-type: none"> ■ Il componente di rilevazione del livello dell'olio non ha misurato correttamente il livello dell'olio a causa della presenza di olio residuo o aria nel tubo dell'olio. ■ Malfunzionamento del componente di rilevazione dell'olio. 	<ul style="list-style-type: none"> ■ Attendere qualche minuto affinché l'olio residuo o l'aria vengano rimossi dal tubo dell'olio.

GARANZIA

CONDIZIONI DELLA GARANZIA EGO

Visitare il sito web egopowerplus.eu per consultare le condizioni complete della garanzia EGO.

LEES ALLE INSTRUCTIES!



LEES DE GEBRUIKSAANWIJZING

⚠ WAARSCHUWING: Laat alle reparaties uitvoeren door een vakbekwame reparateur om een continue veiligheid en betrouwbaarheid te waarborgen.

⚠ WAARSCHUWING: Lees en begrijp alle veiligheidsinstructies die in deze gebruiksaanwijzing staan vermeld, waaronder alle veiligheidssymbolen zoals "GEVAAR", "WAARSCHUWING", en "OPGELET" voordat u dit gereedschap in gebruik neemt. Het negeren van onderstaande instructies kan leiden tot een elektrische schok, brand en/of ernstig persoonlijk letsel.



Veiligheidswaarschuwing



Draag oogbescherming



Draag hoofdbescherming



Pas op voor de terugslag van de kettingzaag en voorkom contact met de punt van het zaagblad



Informatie over het zaagblad



Gewaarborgd geluidsvermogensniveau. Geluidsemisatie voor de omgeving in overeenstemming met de richtlijnen van de Europese Unie.



Dit product is in overeenstemming met de EG-richtlijnen.



Bluetooth®

mm Millimeter

V Spanning

IPX5 Bescherming tegen waterstralen

BEWAAR ALLE WAARSCHUWINGEN EN INSTRUCTIES VOOR TOEKOMSTIG GEBRUIK.

VEILIGHEIDSSYMBOLEN

⚠ WAARSCHUWING: Het gebruik van elektrische gereedschappen kan leiden tot het rondslingeren van (vreemde) objecten die in uw ogen kunnen terechtkomen. Dit kan leiden tot ernstig oogletsel. Wanneer u elektrische apparaten gebruikt, zorg er dan voor dat u altijd een veiligheidsbril (met zijschermen) of een gelaatsscherm draagt. We bevelen aan om een gelaatsscherm over uw bril of een standaard veiligheidsbril met zijschermen te gebruiken.



De gebruiker dient de gebruiksaanwijzing voor het gebruik van dit product te lezen en te begrijpen om risico op letsel te beperken.



Draag gehoorbescherming



Draag beschermende handschoenen



Terugslag van de punt van het zaagblad



Gebruik de kettingzaag altijd met twee handen



Gooi elektrisch afval niet via het huishoudelijk afval weg. Breng het naar een geautoriseerd recyclingbedrijf.



Dit product is in overeenstemming met de toepasselijke richtlijnen van het VK.



Gelijkstroom

n_0 Snelheid zonder belasting

./min Per minuut

NL

OPMERKING: Het woordmerk en de logo's van Bluetooth® zijn gedeponeerde handelsmerken van Bluetooth SIG, inc. en elk gebruik van dergelijke merken door EGO is onder licentie.

SPECIFICATIES

Nominale spanning	56V	
Max. Kettingnelheid	30 m/s	
Kettingsteek	8.255 mm / 0.325"	
Kettingpeil	1.3 mm	
Lengte zaagblad	50 cm	
Model van zaagketting	AC2035 (Aanbevolen)	
	AC1635, AC1835 (Compatibel)	
Model van zaagketting en zaagblad	AK2035(Aanbevolen)	
	AK1635, AK1835 (Compatibel)	
Inhoud kettingoliereservoir	250 ml	
Gewicht (zonder accu, zaagketting, zaagblad, zijdelingse kap, olie en kettingbeschermer)	4.3 kg	
Aanbevolen bedrijfstemperatuur	-15°C-40°C	
Aanbevolen opslagtemperatuur	-20°C-70°C	
Aanbevolen oplaadtemperatuur	5°C-40°C	
Gemeten geluidsniveau L_{WA}	102 dB(A)	
	K=2,3 dB(A)	
Geluidsdruk niveau bij de werkpositie L_{PA}	92 dB(A)	
	K=3 dB(A)	
Gegarandeerd geluidsvermogensniveau L_{WA} (conform 2000/14/EC)	104 dB(A)	
Trilling a_{rh}	Voorste handgreep	3,3 m/s ² K=1,5 m/s ²
	Achterste handgreep	1,74 m/s ² K=1,5 m/s ²

- De opgegeven totale vibratiewaarde is gemeten volgens de standaard testmethode en kan worden gebruikt om het apparaat met een ander apparaat te vergelijken;
- De opgegeven totale vibratiewaarde kan tevens worden gebruikt in een voorafgaande beoordeling op blootstelling.

OPMERKING: De trillingsemisatie tijdens het werkelijk gebruik van het elektrisch gereedschap kan verschillen

van de opgegeven totale waarde; Om de gebruiker te beschermen dient de gebruiker tijdens het gebruik handschoenen en gehoorbescherming te dragen.

PAKLIJST (AFB. A1)

BESCHRIJVING

KEN UW KETTINGZAAG (afb. A1)

- Zaagketting
- Terugslagremhendel
- Voorste handgreep
- LCD-scherm
- Snelheidsniveau
- Bluetooth-pictogram
- Werklamp-pictogram
- Rempictogram
- Hoge temperatuur-indicator
- Brandstofmeter
- Huidig laadniveau
- Lage olie-indicator
- Werklamp/Bluetooth knop
- Olietoevoer knop
- Olie-afgifteniveau
- Vergrendelknop
- Drukschakelaar
- Achterste handgreep
- Kettingsnelheidsregelaar
- Accu-ontgrendelingsknop
- Oliepeilglas
- Oliereservoir dop
- Zaagblad
- Smeeroening
- Kettingspanningspen
- Zij-afdekking
- Borgmoeren
- Afkortspikes
- LED-werklamp
- Kettingbescherming
- Multifunctionele sleutel

MONTAGE

MONTEREN/VERVANGEN VAN HET ZAAGBLAD EN DE KETTING

WAARSCHUWING: Pas de terugslag-remhendel van de ketting in de repositie aan alvorens deze te monteren.

- Plaats de kettingzaag motorkop op de zijkant met de zijkant naar boven gericht (afb. B).
- Verwijder de zijklep door de twee borgmoeren

linksom te draaien.

3. Draai de kettingspanbout linksom om de kettingspanning los te maken.
4. Plaats de zaagketting in een lus op de vlakke ondergrond en maak eventuele knikken recht (afb. C).
5. Plaats de aandrijfschakels van de ketting in de groef van het zaagblad en laat de ketting in een lus naar de achterkant van het zaagblad lopen (afb. D).
6. Houd de ketting op zijn plaats op het zaagblad en plaats de lus rond het tandwiel van de zaag met paal (afb. E1).

B-1	Borgmoeren	D-2	Zaagbladgroef
B-2	Kettingspanningspen	E-1	Aandrijftandwiel
D-1	Aandrijfschakels van de ketting		

OPMERKING: Wanneer de zaagketting op het zaagblad wordt gelust, moet ervoor worden gezorgd dat na het monteren van het zaagblad op de zaag de zaagrichting overeenstemt met het zaagpictogram en de pijl voor de draairichting op de behuizing. Als ze in tegengestelde richting wijzen, monteer dan de zaagketting opnieuw op het zaagblad met de pijlen in dezelfde richting (afb. E2).

7. Plaats het zijpaneel terug op de motorzaagbehuizing en draai beide borgmoeren volledig vast.
8. Draai de ketting met de hand om te controleren of de ketting goed vastzit zonder vast te klemmen. Anders moet u de ketting en het blad opnieuw monteren.

OPMERKING: Om de levensduur van het zaagblad te verlengen, dient u het zaagblad af en toe te draaien.

AANPASSEN VAN DE KETTINGSPANNING

- Stop de motor en verwijder het accupack voordat u de kettingspanning aanpast. Draai de kettingspanningsbout rechtsom of linksom om de kettingspanning in te stellen (afb. F) totdat de ketting goed tegen het zaagblad zit met de aandrijfschakels in de groef van het zaagblad.
- Een koude ketting staat goed onder spanning als er geen sprake is van speling aan de onderkant van het zaagblad en als de ketting strak zit, maar zonder problemen met de hand gedraaid kan worden. De ketting moet opnieuw worden gespannen als vlakken van de schakels niet op de groef van het zaagblad zitten.
- Tijdens het normale zagen neemt de

temperatuur van de ketting toe. De aandrijfschakels van een correct gespannen warme ketting hangen ongeveer 1,3 mm uit de groef van het zaagblad (afb. G).

OPMERKING: Nieuwe kettingen neigen te rekken; controleer de spanning van de ketting regelmatig en span hem indien nodig.

OPMERKING: Als de ketting wordt gespannen als hij warm is, kan hij te strak zitten als hij weer afkoelt. Controleer de koude spanning voor het volgende gebruik.

NL

GEBRUIK

⚠ WAARSCHUWING: Vertrouwdheid kan leiden tot onvoorzichtigheid. Opgelet, één seconde van onoplettendheid kan ernstig letsel teweegbrengen.

⚠ WAARSCHUWING: Gebruik geen opzetstukken of toebehoren die niet door de fabrikant van dit product zijn aanbevolen. Het gebruik van niet aanbevolen opzetstukken of toebehoren kan leiden tot ernstig persoonlijk letsel.

⚠ WAARSCHUWING: Om het per ongeluk starten van het gereedschap, wat persoonlijk letsel kan veroorzaken, te voorkomen, dient u altijd het accupack uit het gereedschap te halen als u onderdelen monteert, instellingen uitvoert, het reinigt of als het niet in gebruik is.

Voor elk gebruik dient u het complete product op beschadigingen, ontbrekende of loszittende onderdelen zoals schroeven, moeren, bouten, doppen, etc. te controleren. Draai alle bevestigingen goed vast en gebruik dit product niet totdat alle missende of beschadigde onderdelen zijn vervangen.

BEOOGD GEBRUIK

U kunt dit product gebruiken voor het normale kappen, snoeien, op snoeien en houtsnedes van hout en bomen.

OPMERKING: Het apparaat mag alleen voor het genoemde doel worden gebruikt. Ieder ander gebruik is in dit geval misbruik.

SMEERMIDDEL VOOR HET ZAAGBLAD EN DE KETTING BIJVULLEN

⚠ WAARSCHUWING: Niet roken en geen vuur of vlammen in de buurt van de olie of de kettingzaag brengen. Olie kan lekken en brand veroorzaken.

OPMERKING: De kettingzaag is niet gevuld met olie op

het moment van aankoop. Het is van essentieel belang dat het reservoir voor gebruik met olie wordt gevuld. De ketting wordt automatisch gesmeerd met kettingolie tijdens het gebruik.

1. Plaats de kettingzaag op de zijkant met de zijkant naar boven gericht.
2. Reinig de dop van het oliereservoir rondom om ervoor te zorgen dat er geen vuil in de oliereservoir valt.
3. Til de halfronde plaat op en draai de dop van het oliereservoir linksom eraf (afb. H).
4. Giet de olie voor het zaagblad en de ketting voorzichtig in het reservoir. Vul tot aan de onderkant van de vulhals.
5. Veeg overtollige olie weg en plaats de dop weer terug.

OPMERKING: Controleer het oliepeil regelmatig en vul bij wanneer het oliepeil onder het minimum is gedaald. Gebruik de kettingzaag nooit als er geen olie meer zichtbaar is.

HET ACCUPACK INSTALLEREN/VERWIJDEREN

OPMERKING: De brandstofmeter op het LCD-scherm geeft het laadniveau van het accupack aan (afb. A1). De meter knippert wanneer de accu bijna leeg is. Laad het accupack voor ingebruikname volledig op.

Gebruik alleen met de in afb. A2 vermelde accupacks en opladers van EGO.

Voor ingebruikname volledig opladen.

Bevestigen

Breng de ribbels van de accu overeen met de montagesleuven en druk het accupack naar beneden totdat u "klik" hoort (afb. I).

Verwijderen

Druk de accu-ontgrendelingsknop naar beneden en trek het accupack eruit (afb. J).

DE KETTINGZAAG STARTEN/STOPPEN

OPMERKING: Voordat u de kettingzaag start, dient u het oliepeil, de scherpte van de tanden en de correct werkende terugslagremhendel te controleren. Bovendien dient u goed te staan en voor voldoende ruimte te zorgen.

Starten (afb. K)

1. Trek de terugslagremhendel van de ketting naar de voorste handgreep in de gebruikpositie (afb. K)

2. Pak altijd de voorste handgreep met de linkerhand en de achterste handgreep met de rechterhand vast.

WAARSCHUWING: Om letsel te voorkomen, moet u de motorzaag altijd met de rechterhand in de handgreep van de achterste handgreep gebruiken (afb. L).

3. Druk de ontgrendelknop met de duim van uw rechterhand en houd deze ingedrukt. Druk vervolgens met de vingers van uw rechterhand op de drukschakelaar om de zaag te starten. (afb. L).

L-1	Grijptanden
-----	-------------

4. Laat de ontgrendelknop los en houd de drukschakelaar ingedrukt voor continu gebruik.
5. Hoe verder de drukschakelaar ingedrukt wordt, hoe hoger de snelheid. Pas de snelheid aan de hand van de taak aan.

WAARSCHUWING: Probeer de zaag niet te starten als de zaag in een zaagsnede steekt.

Stoppen

1. Beweeg de kettingzaag weg van het zaaggebied en laat de drukschakelaar los om de kettingzaag te stoppen.
2. Druk de terugslagremhendel van de ketting naar voren naar de repositie om de kettingrem te activeren (afb. K).

WAARSCHUWING: Haal altijd het accupack uit het apparaat wanneer u een pauze inlast of als u klaar bent met gebruik.

SNELHEIDSMODUS WIJZIGEN (AFB. M)

Het apparaat heeft drie snelheidsmodi. Elke snelheidsmodus beperkt de maximumsnelheid van de kettingzaag. De snelheidsmodus verandert bij elke druk op de kettingsnelheidsregelaar.

Het snelheidsniveau op het LCD-scherm geeft de actieve snelheidsmodus weer: één balk voor lage snelheid, twee balken voor gemiddelde snelheid en drie balken voor hoge snelheid. De lage snelheidsmodus (ECO) zorgt voor een betere controle van het apparaat en een langere gebruiksduur per acculading.

M-1	Snelheidsniveau	M-7	Huidig laadniveau
M-2	Bluetooth-pictogram	M-8	Werklamp/Bluetooth knop
M-3	Werklamp-pictogram	M-9	Olietoevoer knop
M-4	Rempictogram	M-10	Kettingsnelheidsregelaar
M-5	Hoge temperatuur-indicator	M-11	Olie-afgifteniveau
M-6	Brandstofmeter	M-12	Lage olie-indicator

OPMERKING: Wanneer een EGO-accupack met een capaciteit van 4,0 Ah of lager wordt gebruikt, is alleen de ECO-modus beschikbaar. Het is niet mogelijk om de hoge snelheid te bereiken wanneer een EGO-accupack met een capaciteit van lager dan 6,0 Ah wordt gebruikt. Voor de beste prestaties raden wij het gebruik van EGO-accupacks aan met een capaciteit van 6,0 Ah (bijv. BA3360T) of meer.

OPMERKING: De kettingzaag beschikt over geheugenfunctie voor de kettingsnelheid. De volgende keer dat de kettingzaag wordt ingeschakeld, wordt de eerder gebruikte snelheidsmodus geactiveerd.

OPMERKING: Het LCD-scherm licht op wanneer de drukschakelaar wordt overgehaald of wanneer de olietoevoer knop of de werklamp/Bluetooth knop wordt ingedrukt. Het LCD-scherm wordt standaard na ongeveer 1 seconde van inactiviteit automatisch uitgeschakeld.

OPMERKING: Het drukken op de kettingsnelheidsregelaar schakelt het LCD-scherm niet in.

LAADNIVEAU (afb. M)

Het laadniveau aan de rechterkant van het LCD-scherm toont de huidige acculading van de machine. Een groter aantal balkjes geeft een hoger laadniveau aan en een kleiner aantal balkjes geeft een lager laadniveau aan.

Deze functie is voornamelijk bedoeld voor ervaren gebruikers van op benzine-aangedreven kettingzagen die niet volledig op de hoogte zijn van hoe een accu-aangedreven kettingzaag werkt onder verschillende laadniveaus. Het helpt gebruikers bij het controleren van de werklast om langdurig gebruik onder zware belasting te voorkomen, waardoor de kettingzaag tijdens de werking kan stoppen omdat deze oververhit raakt.

HOGE TEMPERAATUUR-INDICATOR (afb. M)

De hoge temperatuur-indicator brandt wanneer de temperatuur van de machine tijdens de werking hoger dan 90°C (194°F) is of de temperatuur van het accupack hoger dan 70°C (158°F) is. Het temperatuurbeveiligingscircuit schakelt de machine onmiddellijk uit om schade door oververhitting te voorkomen. Laat de drukschakelaar los en wacht totdat het oververhitte apparaat of het accupack is afgekoeld en de hoge temperatuur-indicator verdwijnt en start de machine vervolgens opnieuw op.

REMPICTOGRAM (afb. M)

Het rempictogram verschijnt op het LCD-scherm wanneer de remhendel in de repositie staat.

Het rempictogram knippert wanneer het omni-directioneel kettingremsysteem de zaag stopt. Zie het volgende hoofdstuk voor gedetailleerde informatie.

OMNI-DIRECTIONEEL KETTINGREMSYSTEEM (afb. N1 en afb. N2)

Het omni-directioneel kettingremsysteem is geen vervanging voor de standaard/traditionele kettingrem. De gebruiker mag tijdens de werking van de kettingzaag nooit alleen vertrouwen op deze functie als bescherming tegen terugslag. Volg altijd de veiligheidsvoorschriften inzake het beperken van terugslag die in de waarschuwingssectie van deze handleiding zijn vermeld.

Wanneer het omni-directioneel kettingremsysteem wordt geactiveerd en de zaag stopt, knippert het rempictogram op het LCD-scherm (afb. M). Laat de drukschakelaar los, verwijder de zaagketting en het zaagblad uit het hout en start de kettingzaag vervolgens opnieuw.

OPMERKING: De sensoren detecteren alleen plotselinge bewegingen van de zaag in het vlak van het zaagblad (afb. N1). De sensoren detecteren geen plotselinge zijwaartse bewegingen van de zaag (afb. N2) (d.w.z. loodrecht op het vlak van het zaagblad).

OLIE-AFGIFTENIVEAU EN LAGE OLIE-INDICATOR (Fig. M)

De machine smeert de ketting automatisch. U kunt de olie-afgiftesnelheid van deze kettingzaag wijzigen door op de olie-afgiftekноп te drukken.

OPMERKING: De olie-afgiftesnelheid kan alleen worden gewijzigd wanneer de zaagketting niet ingeschakeld is.

Het olie-afgifteniveau op het LCD-scherm geeft de olie-afgiftesnelheid weer. Eén balkje voor een lage afgiftesnelheid, twee balkjes voor een middelhoge afgiftesnelheid en drie balkjes voor een hoge

afgiftesnelheid.

Kies een hogere afgiftesnelheid voor een hogere kettingsnelheid. Als de zaagketting tijdens het werk droog wordt, stop dan de motor en kies voor een hogere olieafgiftesnelheid.

Wanneer het oliepeil laag is, verschijnt de lage olie-indicator boven de olie-afgiftebalkjes op het LCD-scherm en is alleen de lage afgiftesnelheid beschikbaar. Stop de kettingzaag en vul het oliereservoir opnieuw volgens het hoofdstuk **SMEERMIDDEL VOOR HET ZAAGBLAD EN DE KETTING BIJVULLEN**

NL

Nadat u het oliereservoir hebt gevuld, laat de kettingzaag ongeveer 10 seconden draaien om het automatische smeersysteem in te schakelen en de indicator verdwijnt van het LCD-scherm.

OPMERKING: Als de indicator na het uitvoeren van de bovenstaande stappen nog steeds op het LCD-scherm aanwezig is, is het systeem mogelijk beschadigd. Stop met het gebruiken van de kettingzaag en neem contact op met een EGO geautoriseerd servicecentrum voor reparatie.

LED-WERKLAMP (afb. 0)

De LED-werklamp bevindt zich aan de voorkant van de motorkop van de kettingzaag. De werklamp biedt verlichting voor een betere zichtbaarheid en heeft 2 helderheidsniveaus.

Druk één keer op de werklamp/Bluetooth knop (afb. M) om de werklamp in te schakelen. De werklamp wordt ingeschakeld bij een lage helderheid en het lage helderheid werklamp-pictogram verschijnt op het LCD-scherm. Druk nogmaals op de werklamp/Bluetooth knop om over te schakelen naar het hoge helderheidsniveau en het hoge helderheid werklamp-pictogram verschijnt op het LCD-scherm.

Om de werklamp uit te schakelen, druk een derde keer op de werklamp/Bluetooth knop en het werklamp-pictogram verdwijnt van het LCD-scherm.

0-1	Lage helderheid werklamp-pictogram	0-3	LED-werklamp
0-2	Hoge helderheid werklamp-pictogram		

COMMUNICATIETECHNOLOGIE

Voor informatie over ons volledig assortiment van verbonden producten en diensten, waaronder de verbodingsinstructies, scan de QR-code hieronder of ga naar www.egopowerplus.eu/connect.



CORRECTE GRIP OP DE HANDGREPEN (AFB. P1)

- Draag anti-slip handschoenen voor een maximale grip en bescherming.
- Met de zaag op een stevige, vlakke ondergrond houdt u de zaag stevig met beide handen vast.
- Pak altijd de voorste handgreep met de linkerhand en de achterste handgreep met de rechterhand vast.
- De vingers dienen de handgreep te omsluiten, met de duim onder de voorste handgreep.

WAARSCHUWING: Gebruik nooit een linkshandige (gekruste) greep, of een houding waarbij u uw lichaam of arm over de kettinglijn beweegt.

WAARSCHUWING: Druk de schakelaar niet met uw linkerhand en houd de voorste handgreep met uw rechterhand vast. Breng nooit een deel van uw lichaam in de kettinglijn terwijl de kettingzaag in gebruik is (afb. P2).

GOEDE ZAAGPOSITIE (AFB. Q)

- Beide voeten moeten op een stevige ondergrond staan, het gewicht gelijkmatig verdeeld.
- De linkerarm moet recht zijn, met de elleboog vergrendeld. Dit helpt om de krachten van de terugslag te weerstaan.
- Uw lichaam moet zich altijd links van de zaaglijn bevinden.

INSTRUCTIES VOOR DE JUISTE TECHNIEK VOOR HET NORMALE KAPPEN, SNOEIEN, EN KRUISELINGS ZAGEN

WAARSCHUWING: Zorg altijd voor een veilige stand en houd de kettingzaag stevig met beide handen vast terwijl de motor draait.

WAARSCHUWING: Als de zaagketting is gestopt tijdens het zagen doordat hij klem zit, laat u de drukschakelaar los; verwijder de zaagketting en het zaagblad uit het hout, start de zaag vervolgens opnieuw.

WAARSCHUWING: Trek de zaagketting niet met de hand eruit als hij bedekt is door zaagsel. Ernstig letsel kan

het gevolg zijn als de zaag per ongeluk weer start. Druk de zaagketting tegen het hout, beweeg de zaagketting heen en weer om het vuil te verwijderen. Verwijder altijd de accu voor het reinigen. Draag zware beschermende handschoenen als u met de zaagketting werkt.

⚠ WAARSCHUWING: Start de kettingzaag nooit als deze contact heeft met het hout. Laat de kettingzaag eerst op snelheid komen voordat u de zaag in contact brengt met het hout.

EEN BOOM KAPPEN

- Als het zagen en kappen door twee of meer personen gelijktijdig wordt uitgevoerd, dient het kappen apart van het zagen plaats te vinden op een afstand van tenminste twee keer de hoogte van de boom die wordt gekapt. Bomen mogen niet worden gekapt als hierdoor gevaren voor personen ontstaan, een stroomleiding kan worden geraakt of eigendom kan worden beschadigd. Als de boom contact heeft met een stroomleiding, dient u direct contact op te nemen met de stroomleverancier.
- De bediener van de kettingzaag dient aan de hogere zijde van het terrein te staan, aangezien de boom waarschijnlijk naar beneden rolt of glijdt als hij wordt gekapt.
- U dient altijd een vluchtweg te plannen en deze vrij te maken voordat u begint met zagen. De vluchtweg dient zich naar achteren en diagonaal ten opzichte van de verwachte vallijn te bevinden zoals weergegeven in afb. R.

R-1	Kaprichting
R-2	Veilige vluchtweg

- Voordat u begint met kappen, dient u op de natuurlijke hoek van de boom, de locatie of grotere takken en de windrichting te kijken om te beoordelen in welke richting de boom zal vallen.
- Verwijder vuil, stenen, losse schors, spijkers, nietjes en draden van de boom.

Inkepen

Maak een inkeping 1/3 van de diameter van de boom, loodrecht op de valrichting, zoals te zien in afb. S. Zet eerst de lagere horizontale inkeping aan. Hierdoor wordt voorkomen dat de kettingzaag of het zaagblad vast komen te zitten als de tweede inkeping wordt gemaakt.

S-1	Richting van de val	S-3	Zaagsnede
S-2	Inkeping	S-4	Scharnier

Zaagsnede

- Maak de zaagsnede tenminste 50 mm hoger dan de horizontale inkeping zoals weergegeven in afb. S. Houd de zaagsnede parallel met de horizontale inkeping. Maak de zaagsnede zo dat er genoeg hout over is dat als scharnier kan fungeren. Het scharnierhout zorgt ervoor dat de boom niet draait en in de verkeerde richting valt. Zaag niet door het scharnier.
- Als de zaagsnede dicht bij het scharnier komt, moet de boom beginnen te vallen. Als er een mogelijkheid bestaat, dat de boom niet in de gewenste richting valt of als hij terug wiegt en de zaagketting vast haakt, dient u te stoppen met zagen voordat de zaagsnede compleet is en dient u gebruik te maken van houten, plastic of aluminium wiggen om de snede te openen en de boom in de gewenste richting te laten vallen.
- Als de boom begint te vallen dient u de zaag uit de snede te halen, de motor te stoppen, de zaag neer te leggen en de geplande vluchtweg te gebruiken. Wees alert voor takken die boven uw hoofd omlaag kunnen vallen en pas op waar u loopt.

Een boom snoeien

Snoeien is het verwijderen van de takken van een omgehakte boom. Als u snoeit, dient u grotere, lager zittende takken aan de boom te laten zodat deze de boom op de grond kan steunen. Verwijder kleine takken in één beweging zoals weergegeven in afb. T. Takken onder spanning moeten van beneden naar boven worden gezaagd om te voorkomen dat de kettingzaag vast komt te zitten.

Zagen van een blok

Zagen van een blok is het zagen van een boomstam in kortere stukken. Het is belangrijk om ervoor te zorgen dat u stevig staat en uw gewicht gelijkmatig over beide voeten verdeelt. Indien mogelijk dient u de blok op hoogte te brengen door middel van blokken of stutten. Volg de eenvoudige aanwijzingen voor het eenvoudig zagen.

Als het hout over de gehele lengte wordt ondersteund zoals weergegeven in afb. U1, dient u van boven te zagen (bovenzijde).

Als het blok aan één uiteinde wordt ondersteund zoals weergegeven in afb. U2, zaagt u 1/3 diameter vanaf de onderkant (onderzijde). Rond de zaagsnede vervolgens af door van boven uit te zagen totdat u bij de eerste zaagsnede aankomt.

Als het blok aan beide uiteinden wordt ondersteund zoals weergegeven in afb. U3, zaagt u 1/3 diameter vanaf de bovenkant (bovenzijde). Rond de zaagsnede vervolgens af

door van beneden uit de onderste 2/3 van de zaagsnede te zagen totdat u bij de eerste zaagsnede aankomt.

Als u op een helling zaagt, dient u altijd boven de blok te staan zoals weergegeven in afb. V.

Als u "doorzaagt", dient u, om de volledige controle te behouden, de zaagdruk te verminderen aan het einde van de zaagsnede zonder uw greep van de kettingzaag handgrepen te verminderen. Laat de ketting geen contact met de grond maken. Nadat u klaar bent met zagen, wacht u totdat de kettingzaag tot stilstand komt voordat u de kettingzaag beweegt. Stop de motor altijd voordat u van boom naar boom gaat.

NL

ONDERHOUD

⚠ WAARSCHUWING: Gebruik tijdens reparaties uitsluitend identieke reserve-onderdelen. Het gebruik van andere onderdelen kan gevaar opleveren of schade aan het product veroorzaken. Laat alle reparaties uitvoeren door een vakbekwame reparateur om een continue veiligheid en betrouwbaarheid te waarborgen.

⚠ WAARSCHUWING: Om ernstig persoonlijk letsel te voorkomen, moet u de accu altijd uit het product verwijderen voordat u het inspecteert, schoonmaakt of onderhoud uitvoert. Een gereedschap met accu waar het accupack geplaatst is, is altijd aan en kan direct starten.

⚠ WAARSCHUWING: Als u de zaag reinigt, dompel hem dan NIET in water of andere vloeistoffen.

⚠ WAARSCHUWING: Zorg dat remvloeistoffen, benzine, producten op basis van aardolie, oliën, etc. op geen enkel moment met de kunststof onderdelen in aanraking komen. Chemicaliën kunnen de kunststof onderdelen beschadigen, verzwakken of vernietigen en ernstig persoonlijk letsel veroorzaken.

REINIGING

- Na ieder gebruik dient u het vuil met een zachte borstel van de ketting en het zaagblad te verwijderen. Veeg het oppervlak van de kettingzaag schoon met een vochtige doek en een mild zeepsopje.
- Verwijder de zij-afdekking en gebruik een zachte borstel om het vuil van het zaagblad, zaagketting, het tandwiel en de zij-afdekking te verwijderen.
- Verwijder de onderste afdekking na elke werking van ongeveer 8 uur en gebruik vervolgens een zachte borstel om vuil binnenin de machine en op de afdekking te verwijderen (afb. W).
- Verwijder altijd houtsnippers, zaagsel en vuil

van de groef van het zaagblad als u de zaagketting vervangt.

ZAAGBLAD ONDERHOUD

Als het zaagblad tekenen van slijtage vertoont, demonteer het dan van de motorkop van de zaag en draai het om voor hernieuwde montage (afb. X1). Op deze manier wordt de slijtage verdeeld om de levensduur van het zaagblad te maximaliseren.

Het zaagblad dient iedere dag van gebruik te worden gereinigd en op slijtage en beschadigingen te worden gecontroleerd (Afb. X2). Vering of afbramen van de bladgeleiders is een normaal slijtageproces van het zaagblad. Dergelijke fouten dienen te worden verholpen met een vijl zodra deze de kop opsteken. Een blad met één van de volgende fouten dient te worden vervangen.

- Slijtage aan de binnenkant van de bladgeleiders waardoor de ketting over de zijkant kan lopen.
- Gebogen zaagblad.
- Gescheurde of gebroken geleiders.
- Uiteenstaande geleiders.

Bovendien heeft het zaagblad een tandwiel aan de punt (afb. X3).

Het tandwiel moet op een wekelijkse basis worden gesmeerd met een vetspuit om de levensduur van het zaagblad te verlengen. Gebruik een vetspuit om op een wekelijkse basis met kettingolie te smeren door middel van de smeropening (afb. W4). Draai het zaagblad en controleer of de smeropeningen en de ketting groef vrij zijn van verontreinigingen.

X-1	Zaagbladgeleiders	X-3	Smeropening
X-2	Tandwiel in de punt van het zaagblad		

OPMERKING: Gebruik door EGO goedgekeurde smeermiddelen voor de beste resultaten.

TRANSPORT EN OPSLAG

Berg de kettingzaag nooit op en transporteer hem niet als hij aan staat. Verwijder altijd het accupack voor het opbergen of de transport.

Plaats altijd de bescherming op het zaagblad en de ketting voordat u de kettingzaag opslaat of transporteert. Let op voor de scherpe tanden van de ketting.

Maak de kettingzaag grondig schoon voordat u deze opbergt. Berg de kettingzaag binnenshuis op in een droge ruimte die voor kinderen gesloten en/of ontoegankelijk is.

Houd uit de buurt van corrosieve middelen, zoals tuinchemicaliën en strooizout.

HET MILIEU BESCHERMEN



Gooi geen elektrische apparatuur, gebruikte accu's en laders weg via het huishoudelijk afval!

Geef dit product af bij een geautoriseerd recyclingbedrijf en zorg dat het apart kan worden ingezameld. Elektrisch gereedschap moet worden afgegeven voor een milieuvriendelijke recycling.

NL

PROBLEEMOPLOSSING

⚠ WAARSCHUWING: Bescherm altijd uw handen door zware handschoenen te dragen als u onderhoud aan de kettingzaag uitvoert. Verwijder altijd het accupack tijdens onderhoud of transport van de kettingzaag.

NL

PROBLEEM	OORZAAK	OPLOSSING
De motor start niet.	<ul style="list-style-type: none"> ■ Het accupack is niet met de kettingzaag verbonden. ■ Er is geen elektrisch contact tussen de zaag en accu. ■ Als de brandstofmeter op het LCD-scherm knippert, is het accupack leeg. ■ Als de hoge temperatuur-indicator op het LCD-scherm verschijnt, is het accupack of de kettingzaag te warm. ■ Als het kettingrem-pictogram op het LCD-scherm verschijnt, is de kettingrem geactiveerd. ■ Er bevindt zich vuil in de groef van het blad. ■ Er bevindt zich vuil in de zij-afdekking. 	<ul style="list-style-type: none"> ■ Bevestig het accupack aan de kettingzaag. ■ Verwijder de accu, controleer de contacten en bevestig het accupack weer. ■ Laad het accupack op. ■ Laat het accupack of de kettingzaag afkoelen totdat de temperatuur lager dan 67°C is. ■ Trek de terugslagremhendel naar achteren naar de voorste handgreep tot in de gebruikspositie. ■ Druk de zaagketting tegen het hout, beweeg de zaagketting heen en weer om het vuil te verwijderen. ■ Verwijder het accupack, verwijder vervolgens de zij-afdekking en ontdoe hem van vuil.
Snelheidsmodus kan niet worden gewijzigd.	<ul style="list-style-type: none"> ■ Snelheidsregelaar zit vast door vuil. 	<ul style="list-style-type: none"> ■ Verwijder het vuil rond de snelheidsregelaar.
De kettingzaag stopt onverwacht met draaien tijdens de werking.	<ul style="list-style-type: none"> ■ De kettingzaag is overbelast. ■ Als de hoge temperatuur-indicator op het LCD-scherm verschijnt, is het accupack of de kettingzaag te warm. ■ De zaagketting zit vast in het hout. ■ Als het kettingrem-pictogram knippert op het LCD-scherm, werd de zaag gestopt door het omnidirectioneel kettingremsysteem. 	<ul style="list-style-type: none"> ■ Verlaag de belasting. ■ Laat het accupack of de kettingzaag afkoelen totdat de temperatuur lager dan 67°C is. ■ Laat u de drukschakelaar los; verwijder de zaagketting en het zaagblad uit het hout, start de zaag vervolgens opnieuw. ■ Laat u de drukschakelaar los; verwijder de zaagketting en het zaagblad uit het hout, start de zaag vervolgens opnieuw.
De motor loopt, maar de ketting draait niet.	<ul style="list-style-type: none"> ■ De ketting heeft geen contact met het tandwiel. 	<ul style="list-style-type: none"> ■ Bevestig de ketting weer; zorg ervoor dat de aandrijfschakels van de ketting volledig over het tandwiel lopen.

PROBLEEM	OORZAAK	OPLOSSING
De kettingrem wordt niet geactiveerd.	<ul style="list-style-type: none"> ■ Vuil voorkomt de volledige beweging van de terugslagremhendel ■ Mogelijke storing van de kettingrem. 	<ul style="list-style-type: none"> ■ Verwijder vuil van het externe kettingremmechanisme. ■ Neem contact op met de klantenservice van EGO in geval van reparaties.
De kettingzaag zaagt niet goed.	<ul style="list-style-type: none"> ■ Onvoldoende kettingspanning. ■ Botte ketting. ■ De ketting is achterste voren bevestigd. ■ De ketting is versleten. ■ Droge of overmatig gerekte ketting. ■ De ketting loopt niet in de groef van het zaagblad. 	<ul style="list-style-type: none"> ■ Pas de kettingspanning aan; doe dit aan de hand van de volgende alinea: AANPASSEN VAN DE KETTINGSPANNING ■ Slijp de ketting. ■ Monteer de zaagketting weer, volg hiervoor de instructies in de sectie "MONTEREN/VERVANGEN VAN HET ZAAGBLAD EN DE KETTING". ■ Vervang de ketting; doe dit aan de hand van het volgende gedeelte: "MONTEREN/VERVANGEN VAN HET ZAAGBLAD EN DE KETTING". ■ Controleer het oliepeil. Vul het oliereservoir bij en kies indien nodig voor een hogere olie-afgiftesnelheid. ■ Installeer de zaagketting opnieuw, zoals vermeld in de sectie: "MONTEREN/VERVANGEN VAN HET ZAAGBLAD EN DE KETTING".
De ketting raakt los of valt uit het zaagblad tijdens het normale gebruik.	<ul style="list-style-type: none"> ■ De ketting raakt los omdat de temperatuur van de ketting toeneemt tijdens het normale zaagproces. ■ De ketting heeft geen contact met het tandwiel. 	<ul style="list-style-type: none"> ■ Zorg voor de kettingspanning, volg hiervoor de instructies in "AANPASSEN VAN DE KETTINGSPANNING". ■ Installeer de zaagketting opnieuw, zoals vermeld in de sectie: "MONTEREN/VERVANGEN VAN HET ZAAGBLAD EN DE KETTING".
Zaagblad en ketting lopen warm en roken.	<ul style="list-style-type: none"> ■ Als de lage olie-indicator op het LCD-scherm verschijnt, is het kettingoliereservoir leeg. ■ Er bevindt zich vuil in de groef van het zaagblad. 	<ul style="list-style-type: none"> ■ Controleer het oliepeil. Vul het oliereservoir indien nodig. ■ Verwijder het vuil in de groef.
De indicator voor laag oliepeil verschijnt op het LCD-scherm hoewel er voldoende olie in het oliereservoir zit. Of zelfs wanneer er te weinig olie in het oliereservoir is, geeft het LCD-scherm de indicator voor laag oliepeil niet weer.	<ul style="list-style-type: none"> ■ De oliepeildetector heeft het werkelijke oliepeil nog niet kunnen detecteren door resterende olie of lucht in de olieslang. ■ Defecte oliepeildetector. 	<ul style="list-style-type: none"> ■ Wacht enkele minuten totdat de resterende olie of lucht uit de olieslang is afgevoerd.



GARANTIE

EGO-GARANTIEBELEID

Ga naar de website egopowerplus.eu voor de volledige algemene voorwaarden van het EGO-garantiebeleid.

NL

LÆS ALLE ANVISNINGER!



LÆS BRUGERVEJLEDNINGEN

⚠ ADVARSEL: For at sikre sikkerhed og pålidelighed, bør alle reparationer udføres af en kvalificeret servicetekniker.

⚠ ADVARSEL: Sørg for at læse og forstå alle sikkerhedsanvisninger i denne brugsanvisning, herunder alle sikkerhedssymboler, såsom "FARE", "ADVARSEL" og »FORSIGTIG«, før du bruger dette værktøj. Hvis anvisningerne nedenfor ikke følges, kan det føre til elektrisk stød, brand og/eller alvorlig personskade.



Sikkerhedsadvarsel



Wear Eye Protection



Brug hovedbeskyttelse



Pas på tilbageslag fra motorsaven og undgå kontakt på spidsen af motorsaven



Oplysninger om savsværdet



Garanteret lydniveau. Støjmission til miljøet opfylder EF-direktivet.



Dette produkt er i overensstemmelse med gældende EU-direktiver.



Bluetooth®

mm Millimeter

V Spænding

IPX5 Beskyttelse mod vandstråler

GEM ALLE ADVARSLER OG INSTRUKTIONER TIL FREMTIDIG REFERENCE.

SIKKERHEDSSYMBOLER

⚠ ADVARSEL: Når elværktøjer bruges, er der altid en risiko for at genstande slynges ind i øjnene, som kan føre til alvorlige øjenskader. Inden du begynder elværktøj drift, altid bære beskyttelsesbriller eller sikkerhedsbriller med side skjolde og en fuld ansigtsmaske når det er nødvendigt. Vi anbefaler en Wide Vision Safety Maske til brug over briller eller standard sikkerhedsbriller med sideskærme.

DK



For at reducere risikoen for skader, skal brugeren læse og forstå brugsanvisningen, før dette produkt tages i brug.



Brug høreværn



Brug beskyttelseshandsker



Spidsen af savsværdet kan slå tilbage



Motorsaven skal altid holdes med begge hænder



Elektriske affaldsprodukter må ikke bortskaffes sammen med husholdningsaffald. Tag det til en godkendt genbrugsplads.



Dette produkt er i overensstemmelse med lovgivningen i Storbritannien.



Jævnstrøm (DC)

n_0 Hastighed uden belastning

./min Per minut

BEMÆRK: Bluetooth®-mærket og -logoerne er registrerede varemærker tilhørende Bluetooth SIG, inc. og enhver brug af sådanne mærker af EGO er under licens.

SPECIFIKATIONER

Nominel spænding	56V
Maks. Kædehastighed	30 m/s
Kædedeling	8.255 mm / 0.325"
Kædemåler	1.3 mm
Længde på sværdet	50 cm
Model med savkæde	AC2035 (anbefales)
	AC1635, AC1835 (Kompatibel)
Model med savkæde og sværd	AK2035 (anbefales)
	AK1635, AK1835 (Kompatibel)
Kapacitet på oliebeholderen til kæden	250 ml
Vægt (uden batteri, savkæde, styrestang, sidedæksel, olie og kædehylster)	4.3 kg
Anbefalet driftstemperatur	-15°C-40°C
Anbefalet opbevaringstemperatur	-20°C-70°C
Anbefalet opladningstemperatur	5°C-40°C
Målt lydeffektniveau L_{WA}	102 dB(A) K=2.3 dB(A)
Lydtryk tæt ved arbejdspositionen L_{PA}	92 dB(A) K=3 dB(A)
Garanteret lydeffektniveau L_{PA} (i henhold til 2000/14/EF)	104 dB(A)
Vibration a_n	Forhåndtag 3.3 m/s ² K=1.5 m/s ²
	Baghåndtag 1.74 m/s ² K=1.5 m/s ²

- Den samlede erklærede vibrationsværdi er målt i overensstemmelse med en standard testmetoden, og den kan bruges til at sammenligne et værktøj med et andet;
- Den samlede angivne vibrationsværdi kan også bruges ved en foreløbig vurdering af eksponeringen.

BEMÆRK: Vibrationsemissionen ved faktisk brug af elværktøjet kan afvige fra den angivne værdi, hvor værktøjet bruges. For at beskytte brugeren, skal brugeren

bruge handsker og høreværn i de faktiske brugsforhold.

LISTE OVER DELE I PAKKEN (FIG. A1)

BESKRIVELSE

GØR DIG BEKENDT MED DIN MOTORSAV (fig. A1)

1. Savkæde
2. Bremsehåndtag ved tilbageslag
3. Forhåndtag
4. LCD-skærm
5. Hastighedsniveau
6. Bluetooth-ikon
7. Forlygte-ikon
8. Bremse-ikon
9. Overophedningsindikator
10. Brændstofmåler
11. Belastningsstrøm
12. Lav olie-indikator
13. Forlygte/Bluetooth-knap
14. Olietilførselsknappen
15. Olietilførselsmåler
16. Låseknap
17. Startknap
18. Baghåndtag
19. Kædehastighedsknap
20. Knap til frigørelse af batteri
21. Vindue til olietjek
22. Låg til oliebeholder
23. Savsværd
24. Hul til smøring
25. Kædespændingsbolt
26. Sidebeslag
27. Låsemøtrikker
28. Pigge
29. LED-forlygter
30. Kædehylster
31. Multifunktionel nøgle

SAMLING

MONTERING/UDSKIFTNING AF SVÆRDET OG KÆDEN

⚠ ADVARSEL: Sæt kædebremsehåndtaget på bremset indstilling inden produktet samles.

1. Læg motorhuset på siden med sidebeslaget vendt opad (fig. B).
2. Fjern sidedækslet ved at dreje de to låsemøtrikker mod uret.
3. Drej kædespændebolten mod uret for at løsne kædespændingen.
4. Læg savkæden i en løkke på en plan flade, og ret alle

knæk ud (fig. C).

- Sæt kæden på rillen på sværdet, og sørg for at kæden danner en løkke på bagsiden af sværdet (fig. D).
- Hold kæden på plads på sværdet, og sæt kædeløkken omkring savens tandhjul (fig. E1).

B-1	Låsemøtrikker	D-2	Rille på savsværdet
B-2	Kædespændingsbolt	E-1	Tandhjul
D-1	Kædeled		

BEMÆRK: Når du har sat kæden på sværdet og du har sat sværdet på saven, skal du sørge for at skæreretningen passer med skæreikonet og drejeretningspilen på kabinettet. Hvis de vender i modsatte retninger, skal du vende kæden om (fig. E2).

- Sæt sidedækslet på kabinettet, og spænd begge låsemøtrikker ordentligt.
- Drej kæden med hånden for at se, om er sat rigtigt på og at den ikke binder. Eller skal du samle kæde og sværdet igen.

BEMÆRK: For at forlænge savsværdets levetid, skal det regelmæssigt vendes om.

SÅDAN JUSTERES KÆDESTRAMNINGEN

- Stop motoren og tag batteripakken ud, inden kædestramningen justeres. Drej kædespændebolten med uret eller mod uret for at justere kædespændingen (fig. F), indtil kæden sidder tæt på sværdet med leddene i rillen på sværdet.
- En kold kæde er korrekt spændt, når den ikke hænger ned på undersiden af sværdet og den sidder fast, men stadig kan dreje rundt uden at binde. Kæden skal spændes når de flade dele på leddene ikke sidder i rillen på savsværdet.
- Under normalt brug af saven stiger kædens temperatur. Leddene på en korrekt spændt varm kæde skal hænge ca. 1,3 mm fra rillen på savsværdet (fig. G).

BEMÆRK: Nye kæder har tendens til at udvide sig. Tjek regelmæssigt kædestramningen og spænd kæden, hvis nødvendigt.

BEMÆRK: Hvis en kæde strammes, når den er varm, bliver den muligvis for stram, når den bliver kold. Kædens stramning skal tjekkes, når den er kold og inden efterfølgende brug.

BETJENING

⚠ ADVARSEL: Lad ikke fortrolighed med dette produkt gøre dig skodesløs. Husk på, at det kan føre til alvorlige skader, hvis du ikke er opmærksom i blot et sekund.

⚠ ADVARSEL: Anvend ikke tilbehør eller påmonteringer, der ikke anbefales af fabrikanten af dette produkt. Brug af tilbehør eller påmonteringer, der ikke anbefales, kan forårsage alvorlig personskade.

⚠ ADVARSEL: For at forhindre, at apparatet startes ved et uheld, som kan føre til alvorlige personskader, skal batteripakken altid tages ud, når dele sættes på, motorsaven justeres og rengøres og når den ikke er i brug.

Før hver brug skal du undersøge hele produktet for skader, manglende eller løse dele, såsom skruer, møtrikker, bolte, hætter osv. Spænd omhyggeligt alle befæstelsesdele og hætter, og betjen ikke dette produkt, før alle manglende eller beskadigede dele er udskiftet.

ANVENDELSER

Dette produkt er beregnet til almindelig fældning, afkvistning, beskæring og savning af træstammer og træer.

BEMÆRK: Maskinen må kun bruges til dens tilsigtede formål. Enhver anden anvendelse anses for at være et tilfælde af misbrug.

SÅDAN PÅFYLDES OLIEBEHOLDEREN TIL SMØRING AF SAVSVARDET OG KÆDEN

⚠ ADVARSEL: Der må ikke ryges eller være åbne flammer i nærheden af olien eller motorsaven. Der kan spildes olie, der kan føre til brand.

BEMÆRK: Motorsaven er ikke fyldt med olie, når den købes. Der skal fyldes olie på motorsaven inden brug. Kæden smøres automatisk med kædeolien, når saven bruges.

- Læg motorsaven på siden med låget til oliebeholderen vendt opad.
- Rengør låget til oliebeholderen og området omkring det for at sikre, at der ikke kommer snavs ind i oliebeholderen.
- Løft den halvrunde plade op og drej låget til oliebeholderen mod uret for at tage det af (fig. H).
- Hæld forsigtigt olien til sværd og kæde i beholderen. Fyld op til den nederste kant på halsen.
- Tør eventuelle olierester af, og sæt dækslet på igen.

DK

BEMÆRK: Kontroller regelmæssigt olieniveaue, og fyld olie på, hvis niveaue falder under minimumslinjen. Motorsaven må aldrig bruges, hvis du ikke kan se noget olie.

PÅSÆTNING / AFTAGNING BATTERIPAKKEN

BEMÆRK: Brændstofmålerens cirkel på LCD-skærmen viser batteristrømmen (fig. A1). Cirklen blinker, når batteriet er ved at løbe tør for strøm. Oplad batteripakken helt før første brug.

Produktet må kun bruges med EGO's batteripakker og opladere, der er anført i fig A2.

Lad batteriet helt op inden første brug.

Montering

Flugt batteriets ribber med monteringsnoterne, og tryk batteriet ned, indtil du hører et "klik" (fig. I).

Fjernelse

Tryk på knappen til batteriudløseren, og træk batteripakken ud (fig. J).

SÅDAN STARTES/STOPPES MOTORSAVEN

BEMÆRK: Inden motorsaven startes, skal den tjekkes for olie, tænderne på kæden skal tjekkes og bremsehåndtaget skal tjekkes. Du skal desuden have et godt fodfæste og holde en korrekt afstand fra jorden.

Sådan startes produktet (fig. K)

- Slå kædebremsehåndtaget til, ved at trække det mod det forreste håndtag (fig. K).
- Tag ordentligt fast i det forreste håndtag med **venstre** hånd og i det bageste håndtag med **højre** hånd.

⚠ ADVARSEL: For at undgå skader skal motorsaven altid holdes på gribefladen på baghåndtaget med højre hånd (fig. L).

- Hold låseknappen nede med tommelfingeren med din højre hånd. Tryk derefter på startknappen med fingrene på højre hånd for at starte saven. (fig. L).

L-1	Gribeflade
-----	------------

- Slip låseknappen, men hold fortsat startknappen nede, for at holde saven i gang.
- Jo mere startknappen trykkes ned, jo hurtigere kører apparatet. Juster styrken i henhold til opgaven.

⚠ ADVARSEL: Motorsaven må ikke startes, hvis

savkæden sidder i et træ.

Sådan stoppes produktet

- Flyt motorsaven væk fra skæreeområdet, og slip derefter startknappen for at stoppe motorsaven.
- Tryk kædebremsehåndtaget frem, for at bremse kæden (fig. K).

⚠ ADVARSEL: Tag altid batteripakken ud af maskinen, hvis du holder en pause og når du er færdig med arbejdet.

ÆNDRING AF HASTIGHEDSFUNKTIONEN (fig. M)

Denne maskine har tre hastighedsindstillinger. Hver hastighedsfunktion begrænser motorsavens maksimale hastighed. Hastighedsfunktionen skiftes hver gang, der trykkes på hastighedsknappen.

Hastigheden på LCD-skærmen viser den aktive hastighedsfunktion: Én linje er lav hastighed, to linjer er mellemhastighed og tre linjer er høj hastighed. På den lave hastighed (energisparende) har du bedre kontrol over maskinen, og den kan køre længere på hver opladning.

M-1	Hastighedsniveau	M-7	Belastningsstrøm
M-2	Bluetooth-ikon	M-8	Forlygte/Bluetooth-knap
M-3	Forlygte-ikon	M-9	Olietilførselsknappen
M-4	Bremse-ikon	M-10	Kædehastighedsknap
M-5	Overophedning-sindikator	M-11	Olietilførselsmåler
M-6	Brændstofmåler	M-12	Lav olie-indikator

BEMÆRK: Hvis en EGO-batteripakke på 4,0 Ah eller mindre bruges, er det kun energisparefunktionen, der kan bruges. Hvis en EGO-batteripakke på 6,0 Ah eller mindre bruges, er kan apparatet ikke køre på høj hastighed. For optimal drift, anbefales det at bruge EGO-batteripakker på mindst 6,0 Ah (f.eks. BA3360T).

BEMÆRK: Motorsaven har en hukommelsesfunktion, er husker kædehastigheden. Når motorsaven efterfølgende tændes, kører den med den sidst brugte hastighed.

BEMÆRK: LCD-skærmen lyser, når der trækkes på startknappen, eller når der trykkes på olietilførselsknappen eller forlygten/Bluetooth-knappen. Som standard slukker LCD-skærmen automatisk efter ca.

1 sekund uden brug.

BEMÆRK: LCD-skærmen lyser ikke, hvis du trykker på kædehastighedsknappen.

BELASTNINGSMÅLER (Fig. M)

Belastningsmåleren på højre side af LCD-skærmen viser maskinens aktuelle belastning. Det højeste antal linjer angiver den højeste belastning, og det laveste antal linjer angiver den laveste belastning.

Denne funktion er hovedsageligt beregnet til erfarne brugere af benzindrevne motorsave, som muligvis ikke har en "fornemmelse" af, hvordan en batteridrevne sav opfører sig i forskellige situationer. På denne måde kan brugeren holde øje med belastningen, så lang tids drift under stor belastning undgås, da dette kan gøre at motorsaven stopper på grund af overophedning.

OVEROPHEDNINGSTEMPERATUR (fig. M)

Overophedningsindikatoren begynder at lyse, hvis maskinens temperatur kommer over 90°C (194°F) eller hvis batteriets temperatur kommer over 70°C (158°F) under drift. Beskyttelsesfunktionen mod overophedning slukker maskinen, så den ikke beskadiges på grund af overophedning. Slip startknappen, og vent indtil den overophedede maskine eller batteriet har kølet ned, hvorefter overophedningsindikatoren går ud og maskinen kan startes igen.

BREMSE-IKON (fig. M)

Når bremsehåndtaget trækkes, vises bremseikonet vises på LCD-skærmen.

Bremseikonet blinker, når det retningsuafhængige kædebremsesystem stopper saven. Du kan finde flere oplysninger i næste kapitel.

RETNINGSUAFHÆNGIGT KÆDEBREMSESYSTEM (fig. N1 og fig. N2)

Det retningsuafhængige kædebremsesystem er ikke beregnet som en erstatning for en standard/almindelig kædebremse. Brugeren må aldrig bruge denne funktion til beskyttelse mod tilbageslag under brug af motorsaven. Følg altid sikkerhedsinstruktionerne om, hvordan du beskytter dig selv mod tilbageslag, som kan findes i advarselsafsnittet i denne vejledning.

Når det retningsuafhængige kædebremsesystem aktiveres og stopper saven, blinker bremseikonet på LCD-skærmen (fig. M). Slip startknappen. Tag savkæden og savsværdet ud af træet. Start derefter motorsaven igen.

BEMÆRK: Sensorerne registrerer kun pludselige op- og nedadgående bevægelser af savens sværd (fig. N1).

Sensorerne registrerer ikke nogen pludselig bevægelse fra side til side af savens sværd (fig. N2).

OLIETILFØRSELSMÅLER OG LAV OLIE-INDIKATOR (Fig. M)

Maskinen smører automatisk kæden. På denne motorsav kan du ændre olietilførselshastigheden med et tryk på olietilførselsknappen.

BEMÆRK: Olietilførselshastigheden kan kun ændres, når savkæden ikke kører.

Olietilførselsmåleren på LCD-skærmen viser olietilførselshastigheden. En linje angiver en lav tilførselshastighed, to linjer angiver en medium tilførselshastighed og tre linjer angiver en høj tilførselshastighed.

På høje kædehastigheder skal du bruge en højere tilførselshastighed. Hvis savkæden bliver tør under drift, skal du stoppe motoren og vælge en højere olietilførselshastighed.

Hvis olieniveauet bliver lavt, vises indikatoren for lavt olieniveau over olietilførselsmåleren på LCD-skærmen, hvorefter det kan være muligt at bruge den lave olietilførselshastighed. Stop motorsaven, og fyld olietanken op, som beskrevet i kapitlet **PÅFYLDNING AF OLITANKEN MED SMØREMIDDEL TIL SVÆRDET OG KÆDEN**.

Når du har fyldt olietanken op, skal du lade motorsaven køre i ca. 10 sekunder, så det automatiske smøresystem begynder at virke, hvorefter indikatoren forsvinder på LCD-skærmen.

BEMÆRK: Hvis indikatoren stadig vises på LCD-skærmen, når du har gennemgået ovenstående trin, er systemet muligvis beskadiget. Herefter må motorsaven ikke længere bruges, og du skal kontakte et EGO-autoriseret servicecenter for reparation.

LED-FORLYGTE (fig. O)

LED-forlygten sidder på forsiden af motorsavens kabinet. Forlygten giver bedre synlighed, og den har 2 lysstyrker.

For at tænde forlygten, skal du trykke på forlygte/Bluetooth-knappen (fig. M). Forlygten står på lav lysstyrke, når den tændes, og lav lysstyrke-ikonet vises på LCD-skærmen. Tryk på forlygte/Bluetooth-knappen igen for at skifte til høj lysstyrke, hvorefter høj lysstyrke-ikonet vises på LCD-skærmen.

For at slukke forlygten, skal du trykke på forlygte/Bluetooth-knappen en tredje gang, hvorefter forlygteikonet forsvinder på LCD-skærmen.

DK

0-1	Ikon for lav lysstyrke på forlygten	0-3	LED-forlygter
0-2	Ikon for høj lysstyrke på forlygten		

KOMMUNIKATIONSTEKNOLOGI

For yderligere oplysninger og for at se hele udvalget af forbundne produkter og tjenester, herunder forbindelsesvejledninger, skal du scanne QR-koden nedenfor eller gå på www.egopowerplus.eu/connect.



DK

SÅDAN HOLDER DU ET ORDENTLIGT GREB OM HÅNDTAGENE (FIG. P1)

- Brug skridsikre handsker, så du får et maksimalt greb og beskyttelse.
- Hold fast med begge hænder med saven på en stabil og flad overflade.
- Tag altid fast i det forreste håndtag med venstre hånd og i det bageste håndtag med højre hånd.
- Fingrene skal omringe håndtaget, med tommelfingeren under det forreste håndtag.

⚠ ADVARSEL: Brug aldrig et venstrehåndsgreb (kejhåndet). Og stå aldrig på måde, som ville placere din krop eller arm i savelinjen.

⚠ ADVARSEL: Brug ikke startknappen med din venstre hånd, og hold forhåndtaget med din højre hånd. Undgå altid, at kroppen befinder sig i kædelinjen, når du bruger en motorsav (fig. P2).

ORDENTLIG HOLDNING UNDER BRUG (FIG. Q)

- Stå med begge ben fast på jorden, med din vægt fordelt jævnt på begge fødder.
- Venstre arm skal være lige, med albuen låst. Dette hjælper til at modstå kræfterne, der genereres ved et tilbageslag.
- Din krop skal altid være til venstre for savelinjen.

VEJLEDNING OM KORREKTE TEKNIKKER TIL GRUNDLÆGGENDE FÆLDNING, AFKVISTNING OG TVERGÅENDE SAVNING

⚠ ADVARSEL: Sørg altid for at du har et godt fodfæste, og hold ordentligt fast i motorsaven med begge hænder, når den er i gang.

⚠ ADVARSEL: Hvis motorsaven kommer i klemme og stopper, skal du slippe startknappen, og tag derefter motorsaven ud af træet, inden den startes igen.

⚠ ADVARSEL: Træk ikke i savkæden med hånden, hvis den sidder fast. Dette kan føre til alvorlige skader, hvis motorsavet starter ved et uheld. Tryk motorsaven mod træet, og ryk den frem og tilbage, så skiddet kommer ud. Batteripakken skal altid tages ud, inden motorsaven rengøres. Brug kraftige beskyttelsehandsker, når du håndterer motorsaven.

⚠ ADVARSEL: Motorsaven må aldrig startes, når den er i kontakt med træ. Sørg altid for at motorsaven kører med fuld hastighed, inden du begynder at save.

SÅDAN FÆLDES ET TRÆ

- Når to eller flere personer arbejder i samme område, hvor træ fældes og træstammer saves over, skal træet fældes mindst to træ-længder væk fra stedet, hvor bukkene bruges. Træer må ikke fældes på en måde, der bringer andre personer i fare, ramme elkabler eller på nogen måde skade ejendomme. Hvis træet rammer nogen elkabler, skal elseskabet straks underrettes.
- Brugeren af motorsaven skal stå på den øverste del af skråningen, da træet sandsynligvis ruller eller glider ned ad skråningen, når det fældes.
- Sørg for der er en fri gang, hvor man kan komme væk fra træet, inden træet fældes. Gangen skal være lige og gå i modsat retning af, hvor træet regnes med at falde, som vist i fig. R.

R-1	Fælderetning
R-2	Sikker gangsti

- Inden træet fældes, skal du se hvilken retning træet hælder til, hvor de større grene sidder på træet og i hvilken retning vinden blæser, så du kan vurdere, hvilken retning træet vil vælte i.
- Fjern jord, sten, løs bark, søm, hæfteklammer og kabler fra træet.

Udskæring ved undersnit

Lav en udskæring 1/3 ind i træstammen i retningen, som træet skal falde, som vist i fig. S. Lav først den

nederste vandrette udskæring. Dette reducerer chancen for at savkæden eller sværdet sidder fast, når den anden udskæring laves.

S-1	Falderetning	S-3	Fældning med bagsnit
S-2	Udskæring	S-4	Hængsel

Fældning med bagsnit

- Lav fældesnittet mindst 50 mm over det vandrette udskæring, som vist i fig. S. Sørg for at fældesnittet er parallelt med den vandrette udskæring. Lav fældesnittet, så det resterende træ virker som et form for hængsel. Hængseltræet holder træet fra at dreje, og derved falde i den forkerte retning. Hængseltræet må ikke skæres over.
- Når fældningen kommer tæt på hængslet, begynder træet af falde. Hvis der er chance for, at træet ikke falder i den ønskede retning eller hvis det begynder at læne i den forkerte retning og fastklemmer saven, skal du holde op med at save. Brug i stedet for kiler af træ, plast eller aluminium til at åbne snittet, så træet begynder at hælde eller falder i den rigtige retning.
- Når træet begynder at falde, skal du tage motorsaven ud af snittet, stoppe den og sætte den på jorden. Gå derefter væk fra træet via den planlagte gang. Hold øje med det faldende træ, og hvor du går.

Afkvistning af træ

Afkvistning er når man saver grenene af det fældet træ. Når du afkvister, skal du efterlade større grene fornedet, som kan holde stammen over jorden. Sav de små grene af i et snit, som vist på i fig. T. Grene, der er under spænd, skal saves over fra undersiden, så saven ikke kommer i klemme.

Opskæring af træstammer

Opskæring er når man saver en træstamme i stykker. Det er vigtigt at dit du har et godt fodfæste, og at din vægt er fordelt jævnt på begge fødder. Træstammen skal hæves og støttes, enten med bukke, andre træstammer eller træklodser, hvis muligt. Følg de enkle anvisninger for nem opskæring.

Hvis hele træstammen er støttet, som vist på fig. U1, saves den først over i toppen.

Hvis træstammen er støttet i den ene ende, som vist på fig. U2, skal du lave et snit ca. 1/3 ind i stammen fra undersiden. Sav derefter resten af stammen over fra oven, og ned til det første snit.

Hvis træstammen er støttet i begge ender, som vist på fig. U3, skal du lave et snit ca. 1/3 ind i stammen fra

oversiden. Sav derefter resten af stammens 2/3 over fra undersiden, og op til det første snit.

Hvis træstammen saves over på en skrånning, skal du altid højere op end træstammen, som vist i fig. V.

Hvis stammen skal saves helt over på en gang, skal du trykke mindre, når stammen er ved at være savet over, uden at afslappe dit greb. Undgå, at kæden røre ved jorden. Når stammen er savet over, skal du vente indtil den er stoppet helt, inden den flyttes. Motoren skal altid stoppes, inden du går videre med næste træ.

VEDLIGEHOLDELSE

⚠ ADVARSEL: Ved service må der kun bruges originale reservedele. Brug af andre reservedele kan medføre fare eller forårsage skader på produktet. For at sikre sikkerhed og pålidelighed, bør alle reparationer udføres af en kvalificeret servicetekniker.

⚠ ADVARSEL: For at undgå alvorlige personskader, skal batteripakken altid tages ud af produktet inden det ses efter, rengøres eller vedligeholdes. Et batteridrevet værktøj med batteripakken i, er altid tændt og kan starte ved et uheld.

⚠ ADVARSEL: Motorsaven må IKKE nedsænkes i vand eller andre væsker, når den rengøres.

⚠ ADVARSEL: Plastikdelene må aldrig komme i kontakt med bremsevæske, benzin, petroleum-baserede produkter, gennemtrængende olie, osv. Kemikalier kan beskadige, svække og ødelægge plastik, hvilket kan føre til alvorlige personskader.

RENGØRING

- Efter hver brug, skal kæden og savsværdet rengøres for rester med en blød børste. Tør motorsavens overflade af med en ren klud, fugtet med en mild sæbeopløsning.
- Fjern sidebeslaget, og brug derefter en blød børste til at fjerne snavs fra sværdet, kæden, tandhjul og sidebeslaget.
- Tag bunddækslet ca. hver 8. driftstime, og fjern eventuelt skidt i maskinen og på dækslet med en børste (fig. W).
- Rengør altid rillen på savsværdet for træflis, savsmuld og skidt, inden savkæden sættes på.

VEDLIGEHOLDELSE AF SAVSVÆRDET

Når sværdet viser tegn på slid, skal det tages af motorhovedet og vendes om (fig. X1). På denne måde slides sværdet på begges sider, så det holder længere.

DK

Sværdet skal rengøres hver dag efter brug, og ses efter for slid og skader (fig. X2). Udtynding og afgratning på rillen af sværdet er et normal tegn på slid. Sådanne fejl skal jævnes ud med en fil, så snart de opstår. Et sværd med en af følgende fejl, skal skiftes.

- Slid på indersiden af rillen på sværdet, som får kæden til at køre skævt.
- Et bøjet sværd.
- Revnede eller ødelagte riller.
- Udvidede riller.

Derudover har sværdet et tandhjul på spidsen (fig. X3).

DK

Tandhjulet skal smøres ugentligt med en fedtsprøjte, så dets levetid forlænges. Brug ugentligt en fedtsprøjte til at smøre med kædeolie via smøringshullet (fig. W4). Drej sværdet og sørg for at smørehullerne og kæderillen er fri for urenheder.

X-1	Sværdriller	X-3	Hul til smøring
X-2	Tandhjul på spidsen af sværdet		

BEMÆRK: For at opnå de bedste resultater, skal du smøremidler, der er godkendt af EGO.

TRANSPORT OG OPBEVARING

Motorsaven må ikke opbevares eller transporteres, når den kører. Batteripakken skal altid tages ud, inden motorsaven gemmes væk og transporteres.

Sæt altid skeden på sværdet og hylsteret på kæden, inden motorsaven gemmes væk eller transporteres. Vær forsigtig med ikke at røre de skarpe tænder på kæden.

Rengør motorsaven grundigt før opbevaring. Motorsaven skal opbevares indendørs på et tørt sted, der er låst og/eller utilgængelige for børn.

Holdes væk fra ætsende stoffer, såsom havekemikalier og vejsalt.

BESKYTTELSE AF MILJØET



Elektrisk udstyr, batterioplader og batterier må ikke smides ud sammen med almindelig husholdningsaffald!

Tag dette produkt til en autoriseret genbrugsplads, og sørg for at det sendes til genbrug. Elektriske værktøjer skal returneres til et miljøkompatibelt genvindingsanlæg.

FEJLFINDING

⚠ ADVARSEL: Beskyt altid dine hænder ved at bruge kraftige handsker, når du udfører vedligeholdelsesarbejde på savkæden. Batteripakken skal altid tages ud, hvis motorsaven skal repareres eller transporteres et andet sted hen.

PROBLEM	ÅRSAG	LØSNING
Motoren kører ikke.	<ul style="list-style-type: none"> ■ Batteripakken er ikke sat i motorsaven. ■ Der er ingen elektrisk kontakt mellem saven og batteripakken. ■ Hvis brændstofmålerens cirkel på LCD-skærmen blinker, er batteriet løbet tør for strøm. ■ Hvis overophedningsindikatoren lyser på LCD-skærmen, er batteripakken eller motorsaven for varm. ■ Hvis kædebremseikonet vises på LCD-skærmen, er kædebremsen slået til. ■ Skidt i rillen på savsværdet. ■ Snavs i sidebeslaget. 	<ul style="list-style-type: none"> ■ Sæt batteripakken i motorsaven. ■ Fjern batteriet, kontrollér kontakterne og sæt batteriet på igen. ■ Oplad batteripakken. ■ Lad batteripakken eller motorsaven køle ned, indtil temperaturen kommer under 67°C. ■ Træk kædebremshåndtaget tilbage mod det forreste håndtag, så det sidder i driftsindstillingen. ■ Tryk motorsaven mod træet, og ryk den frem og tilbage, så skidtet kommer ud. ■ Tag batteripakken ud, og tag derefter sidebeslaget af og rengør evt. skidt.
Hastighedsfunktionen kan ikke ændres.	<ul style="list-style-type: none"> ■ Skidt har fastklemt kædens hastighedsskifter. 	<ul style="list-style-type: none"> ■ Fjern skidtet, der sidder fast i kædens hastighedsskifter.
Motorsaven holder pludselig op med at køre under drift.	<ul style="list-style-type: none"> ■ Motorsaven overbelastet. ■ Hvis overophedningsindikatoren lyser på LCD-skærmen, er batteripakken eller motorsaven for varm. ■ Savkæden sidder fast i træet. ■ Hvis kædebremseikonet blinker på LCD-skærmen, er saven blevet stoppet af det retningsuafhængige kædebremsesystem. 	<ul style="list-style-type: none"> ■ Reducer belastningen. ■ Lad batteripakken eller motorsaven køle ned, indtil temperaturen kommer under 67°C. ■ Slip startknappen. Tag savkæden og savsværdet ud af træet. Start derefter motorsaven igen. ■ Slip startknappen. Tag savkæden og savsværdet ud af træet. Start derefter motorsaven igen.
Motoren kører, men kæden kører ikke rundt.	<ul style="list-style-type: none"> ■ Kæden kører ikke på tandhjulet. 	<ul style="list-style-type: none"> ■ Sæt kæden på igen, og sørg for at leddene på kæden sidder ordentligt på tandhjulet.

DK

PROBLEM	ÅRSAG	LØSNING
Kædebremsen aktiveres ikke.	<ul style="list-style-type: none"> ■ Snavs forhindrer kædebremsehåndtaget i at kunne bevæges ■ Mulig funktionsfejl på kædebremsen. 	<ul style="list-style-type: none"> ■ Rengør for snavs på den eksterne kædebremsemekanisme. ■ Kontakt EGO's kundeservice for reparation.
Motorsaven saver ikke ordentligt.	<ul style="list-style-type: none"> ■ Kæden er ikke strammet ordentligt. ■ Kæden er døv. ■ Kæden er sat omvendt på. ■ Kæden er slidt. ■ Kæden er tør eller sidder for stramt. ■ Kæder kører ikke i rillen på savsværdet. 	<ul style="list-style-type: none"> ■ Juster kædestramningen i henhold til vejledningerne i afsnittet: »SÅDAN JUSTERES KÆDESTRAMNINGEN«. ■ Slib kæden. ■ Sæt savkæden på igen som vist i afsnittet "MONTERING/UDSKIFTNING AF SVÆRDET OG KÆDEN". ■ Skift kæden i henhold til vejledningerne i afsnittet: »MONTERING/UDSKIFTNING AF SVÆRDET OG KÆDEN«. ■ Tjek olien. Fyld oliebeholderen op, og vælg en højere olieforsyning, hvis nødvendigt. ■ Sæt kæden på igen i henhold til vejledningerne i afsnittet: »MONTERING/UDSKIFTNING AF SVÆRDET OG KÆDEN«.
Kæden bliver løs eller falder af savsværdet under normal brug.	<ul style="list-style-type: none"> ■ Under normalt brug af saven stiger kædens temperatur, hvorefter den bliver løs. ■ Kæden kører ikke på tandhjulet. 	<ul style="list-style-type: none"> ■ Justér kædestramningen som beskrevet i afsnit "JUSTERING AF KÆDESTRAMNINGEN". ■ Sæt kæden på igen i henhold til vejledningerne i afsnittet: »MONTERING/UDSKIFTNING AF SVÆRDET OG KÆDEN«.
Savsværdet og kæden bliver varm og ryger.	<ul style="list-style-type: none"> ■ Hvis lav olie-indikatoren vises på LCD-skærmen, er kædeolietanken tom. ■ Snavs i rillen på savsværdet. 	<ul style="list-style-type: none"> ■ Tjek olien. Fyld olie på, hvis nødvendigt. ■ Fjern snavs i rillen.
Indikatoren for lav oliestand vises på LCD-skærmen, selvom der er tilstrækkeligt med olie i olietanken. Eller selv om olietanken mangler olie, viser LCD-skærmen ikke indikatoren for lav oliestand.	<ul style="list-style-type: none"> ■ Komponenten til registrering af olieniveau har endnu ikke registreret det reelle olieniveau på grund af restolie eller luft i olieslangen. ■ Fejl i komponenten til registrering af olieniveau. 	<ul style="list-style-type: none"> ■ Vent et par minutter, så eventuel resterende olie eller luft kan løbe ud af olieslangen.

GARANTI

EGO GARANTI POLITIK

Besøg venligst hjemmesiden egopowerplus.eu for fuldstændige vilkår og betingelser for EGO's garantipolitik.

LÄS IGENOM ALLA INSTRUKTIONER!



LÄS IGENOM BRUKSANVISNINGEN

⚠ VARNING: För att garantera en säker och pålitlig användning måste alla reparationer utföras av en kvalificerad servicetekniker.

⚠ VARNING: Var noga med att läsa igenom och förstå alla säkerhetsinstruktioner i denna bruksanvisning, inklusive alla varningssymboler såsom "FARA", "VARNING" och "FÖRSIKTIGHET" innan detta verktyg används. Underlåtenhet att läsa alla instruktioner som listas nedan kan resultera i elektrisk stöt, brand och/eller allvarlig personskada.



Säkerhetslarm



Använd ögonskydd



Använd skyddshjälm



var medveten om kedjesågens rekylter och undvik kontakt med svärdets spets



Information om svärdet



Garanterad ljudeffektnivå. Bulleremissioner för omgivningen enligt EU-direktivet.



Denna produkt är i enlighet med gällande EG-direktiv.



Bluetooth®

mm

Millimeter

V

Spänning

IPX5

Skydd mot vattenstrålar

SPARA ALLA VARNINGAR OCH INSTRUKTIONER FÖR FRAMTIDA REFERENS.

SÄKERHETSSYMBOLER

⚠ VARNING: Användning av något elverktyg kan resultera i att främmande föremål kastas in i dina ögon vilket kan resultera i allvarliga ögonskador. Innan elverktyget börjar användas skall alltid skyddsglasögon eller skyddsglasögon med sidoskydd och full ansiktsskydd användas när så behövs. Vi rekommenderar att en ansiktsmask med brett synfält används ovanpå glasögonen eller standard skyddsglasögon med sidoskydd.



För att minska risker för skador måste användare läsa igenom och förstå bruksanvisningen innan denna produkt används.



Använd hörselskydd



Använd skyddshandskar



Svärd spetsrekyl



Använd alltid båda händerna när sågen används



Förbrukade elektriska produkter får inte kastas i hushållssoporna. Lämnas dem till en auktoriserad återvinningsstation.



Denna produkt uppfyller tillämpliga lagar i Storbritannien.



Likström

n₀

Tomgångshastighet

./min

Per minut

SE

NOTERA: Ordmärket Bluetooth® och logotyperna är registrerade varumärken som ägs av Bluetooth SIG, inc. och all användning av sådana märken av EGO under licens.

SPECIFIKATIONER

Märkspänning	56V	
Max. Kedjehastighet	30 m/s	
Kedjedelning	8.255 mm / (0.325 tum)	
Kedjemått	1.3 mm	
Svärdlängd	50 cm	
Modell av sågkedja	AC2035(rekommenderad)	
	AC1635, AC1835 (Kompatibel)	
Modell för sågkedja och svärd	AK2035 (rekommenderad)	
	AK1635, AK1835 (Kompatibel)	
Kapacitet kedjeoljetank	250 ml	
Vikt (utan batteripaket, sågkedja, svärd, sidoskydd, olja och kedjehölje)	4.3 kg	
Rekommenderad drifttemperatur	-15°C-40°C	
Rekommenderad förvaringstemperatur	-20°C-70°C	
Rekommenderad laddningstemperatur	5°C-40°C	
Uppmätt ljudeffektnivå L_{WA}	102 dB(A)	
	K=2.3 dB(A)	
Ljudtrycksnivå vid arbetspositionen L_{PA}	92 dB(A)	
	K=3 dB(A)	
Garanterad ljudeffektsnivå L_{WA} (enligt 2000/14/EG)	104 dB(A)	
Vibration a_h	Främre handtag	3.3 m/s ² K=1.5 m/s ²
	Bakre handtag	1.74 m/s ² K=1.5 m/s ²

- Det deklarerade totala vibrationsvärdet har uppmätts i enlighet med en standardtestmetod och kan användas för att jämföra ett verktyg med ett annat.
- Det deklarerade totala vibrationsvärdet kan också användas i en preliminär utvärdering av exponeringen.

UPPMÄRKSAMMA: Vibrationsutstrålningen under verklig användning av elverktyg kan skilja sig från det deklarerade värdet i vilken verktyget används. För att skydda användaren skall skyddshandskar och hörselskydd användas under faktiska

användningsförhållandet.

PACKLISTA (BILD A1)

BESKRIVNING

LÄR KÄNNA DIN KEDJESÅG (Bild A1)

1. Sågkedja
2. Bromspaddel för kedjerekyl
3. Främre handtag
4. LCD-skärm
5. Hastighetsnivå
6. Bluetoothikon
7. Strålkastarikon
8. Bromssymbol
9. Indikator för hög temperatur
10. Bränslemätarcirkel
11. Strömnivå för belastning
12. Indikator låg oljenivå
13. Knapp för strålkastare/Bluetooth
14. Knapp för oljematning
15. Utgångsnivå för olja
16. Startspår
17. Avtryckare
18. Bakre handtag
19. Växellåda med kedja
20. Låsknapp för batteri
21. Oljeinspektionsfönster
22. Lock oljetank
23. Svärd
24. Smörjhål
25. Kedjespänningsbult
26. Sidokåpa
27. Låsmutter
28. Spikar för kapning
29. LED-strålkastare
30. Kedjeöverdrag
31. Multinyckel

MONTERING

MONTERING/BYTE AV SVÄRDET OCH KEDJAN

⚠ WARNING: Ändra bromshandtaget för kedjerekyl till bromspositionen innan montering.

1. Placera kedjesågens drivenhet på sidan med sidans kåpa riktad uppåt (bild B).
2. Ta bort sidokåpan genom att vrida de två låsmuttrarna moturs.
3. Vrid kedjespänningsbulten moturs för att lossa kedjespänningen.

- Lägg sågkedjan i en loop på en plan yta och räta ut alla knutar (bild C).
- Placera kedjedrivlänken på svärdsspåren och gör en lopp med kedjan på baksidan av svärdet (bild D).
- Håll kedjan i positionen på svärdet och placera loopen runt kuggen på sågen (bild E1).

B-1	Låsmutter	D-2	Svärdsspår
B-2	Kedjespänningsbult	E-1	Kedjekrans
D-1	Kedjedrivlänkar		

UPPMÄRKSAMMA: Vid upprullning av sågkedjan på svärdet ska du se till att svärdet efter montering på sågen, sågriktningen överensstämmer med sågikonen och rotationsriktningen på höljet. Om de pekar åt olika håll monterar du tillbaka sågkedjan på svärdet så att knivarna pekar åt samma håll (bild E2).

- Sätt tillbaka sidokåpan på motorsågshuset och dra åt båda låsmutterarna helt.
- Rotera kedjan för hand för att kontrollera att kedjan är korrekt monterad utan att den kärvar. I annat fall ska du montera tillbaka kedjan och stängan.

UPPMÄRKSAMMA: För att förlänga svärdets livslängd, vänd på svärdet emellanåt.

INSTÄLLNING AV KEDJESPÄNNINGEN

- Stanna motorn och ta bort batteripaketet innan kedjespänningen justeras. Vrid kedjespänningsbulten medurs eller moturs för att justera kedjespänningen (bild F) tills kedjan sitter tätt mot styrskenan med drivlänkarna i styrskenans spår.
- En kall kedja är korrekt spänd när det inte finns något nedhäng på undersidan av svärdet och kedjan sitter tätt men den kan vridas för hand utan att den kärvar. Kedjan måste spännas om närhelst klackarna på drivlänkarna inte sitter i svärdsspåren.
- Vid normala sågarbeten kommer temperaturen på kedjan att öka. Drivlänkarna på en korrekt spänd varm kedja kommer att hänga ungefär 1,3 mm utanför svärdsspåren (bild G).

UPPMÄRKSAMMA: Nya kedjor har en tendens att sträckas, kontrollera kedjespänningen regelbundet och spänn om så behövs.

UPPMÄRKSAMMA: En kedja som spänns när den är varm kommer att vara för tigt när den kyls. Kontrollera den kalla spänningen innan nästa användning.

DRIFT

⚠ VARNING: Bli inte vårdslös bara för att du är bekant med denna produkt. Kom ihåg att oaksamhet under en bråkdel av en sekund är tillräcklig för att orsaka allvarliga skador.

⚠ VARNING: Använd inga andra tillsatser eller tillbehör än de som rekommenderas av tillverkaren av denna produkt. Användning av tillbehör eller tillsatser som inte rekommenderas kan resultera i allvarlig personskada.

⚠ VARNING: För att förhindra oavsiktligt start som kan orsaka allvarliga personskador skall alltid batteripaketet tas bort från verktyget när delar monteras, inställningar görs, vid rengöring eller när den inte används.

Inspektera hela produkten innan varje användning om där finns skador, saknade eller lösa delar såsom skruvar, muttrar, bultar, höljen etc. Dra åt alla fästelement och lock och använd inte denna produkt innan alla saknade eller skadade delar bytts ut.

TILLÄMPNINGAR

Du kan använda denna produkt för att grundläggande fällning, kvistning, beskärning och träsågning av timmer och träd.

UPPMÄRKSAMMA: Maskinen får enbart användas för det föreskrivna ändamålet. All annan användning betraktas som missbruk.

FYLLA PÅ SVÄRD OCH KEDJA MED SMÖRJMEDEL

⚠ VARNING: Rök inte eller för eld eller öppna lågor i närheten av oljan eller kedjesågen. Oljan kan spillas och orsaka brand.

UPPMÄRKSAMMA: Kedjesågen är inte fylld med olja vid köpet. Det är väsentligt att fylla tanken med olja före användning. Kedjan smörjs automatiskt med kedjeolja under arbetet.

- Lägg kedjesågen på sidan med tanklocket riktad uppåt.
- Rengör oljebehållarens locket och området runt det för att säkerställa att smuts inte tränger in i oljebehållaren.
- Lyft upp den halvformade plattan och riktad uppåt och vrid oljelocket moturs för att ta bort det (bild H).
- Håll försiktigt i svärds- och kedjeoljan i tanken. Fyllt till underkanten på påfyllnadshalsen.
- Torka bort överbliven olja och sätt tillbaka locket.

UPPMÄRKSAMMA: Kontrollera oljenivån regelbundet och

SE

fyll på när oljenivån sjunker under minimilinjén. Använd aldrig kedjesågen om oljan inte är synlig.

FÄST/TA LOSS BATTERIPAKETET

NOTERA: Bränslemätarens cirkel på LCD-skärmen indikerar batteriets laddningsnivå (bild A1). Cirkeln blinkar när batteriladdningen är nära att ta slut. Ladda batteripaketet fullt före första användning.

Använd endast med EGOs batteripaket och laddare som listas i bild A2.

Ladda fullt innan första användning.

Fästa

Rikta in listerna på batteriet med monteringsspåren och tryck sedan ner batteripaketet tills du hör ett "klik" (bild I).

Ta bort

Tryck in frigöringsknappen för batteriet och dra sedan ut batteripaketet (bild J).

STARTA/STOPPA KEDJESÅGEN

UPPMÄRKSAMMA: Innan kedjesågen startas, kontrollera oljenivån, sågtändernas skärpa och att rekylbromspaddeln fungerar korrekt. Dessutom behövs ett stadigt fotfäste och korrekt avstånd från marken.

Starta (bild K)

1. Dra kedjans rekylbromspaddel mot fronthandtaget till driftläget (bild K).
 2. Greppa ordentligt tag i det främre handtaget med **vänster** hand och det bakre handtaget med den **högra** handen.
- ⚠ VARNING:** Undvik personskador genom att alltid använda motorsågen med höger hand i greppområdet på det bakre handtaget (bild L).
3. Tryck ned och håll kvar låsknappen med tummen på högra handen, tryck sedan in avtryckaren med fingrarna på höger hand för att starta sågen. (Bild L)

L-1	Greppområde
-----	-------------

4. Släpp låsknappen och fortsätt att klämma in avtryckaren för fortsatt drift.
5. Ju längre avtryckaren trycks in, desto högre kedjehastighet. Ställ in hastigheten så den passar uppgiften.

⚠ VARNING: Försök inte att starta sågen om kedjesågen är i ett sågspar.

Stoppa

1. Flytta motorsågen bort från sågområdet och släpp sedan avtryckaren för att stoppa motorsågen.
2. Skjut kedjans rekylbromspaddel framåt till bromspositionen för att aktivera kedjebromsen (bild K).

⚠ VARNING: Ta alltid bort batteripaketet från maskinen vid arbetsavbrott och efter avslutat arbete.

ÄNDRING AV HASTIGHETSLÄGE (BILD M)

Maskinen har tre hastighetslägen. Varje hastighetsläge begränsar motorsågens maximala hastighet. Hastighetsläget ändras vid varje tryckning på knappen för kedjehastighet.

Hastighetsstaplarna på LCD-skärmen visar det aktiva hastighetsläget: en stapel för låg hastighet, två staplar för medelhög hastighet och tre staplar för hög hastighet. Låghastighetsområdet (ECO) ger bättre kontroll över trimmern och längre drifttid per laddning.

M-1	Hastighetsnivå	M-7	Strömnivå för belastning
M-2	Bluetoothikon	M-8	Knapp för strålkastare/Bluetooth
M-3	Strålkastarikon	M-9	Knapp för oljematning
M-4	Bromssymbol	M-10	Växellåda med kedja
M-5	Indikator för hög temperatur	M-11	Utgångsnivå för olja
M-6	Bränslemätarcirkel	M-12	Indikator låg oljenivå

NOTERA: Vid användning av EGO-batterier med en kapacitet på högst 4,0 Ah är endast ECO-läget tillgängligt. Användning av EGO batteripaket märkta lägre än 6,0Ah kommer inte att låta dig nå hög hastighet. För bästa prestanda rekommenderas användning av EGO-batterier med 6,0Ah (t.ex., BA3360T) eller mer.

NOTERA: Motorsågen har minnesfunktion för kedjehastighet. Nästa gång motorsågen slås på kommer det tidigare använda hastighetsläget att aktiveras.

NOTERA: LCD-skärmen tänds när avtryckaren dras in eller när hastighetsknappen eller strålkastar-/Bluetooth-knappen trycks in. Som standard stängs LCD-skärmen av automatiskt efter ca 1 sekunds inaktivitet.

NOTERA: LCD-skärmen tänds inte om du trycker på kedjehastighetsväxeln.

LASTNIVÅ (bild M)

Belastningsnivån på LCD-skärmens högra sida visar den aktuella belastningen på maskinen. Det högre antalet staplar indikerar högre belastning och det lägre antalet staplar indikerar lägre belastning.

Denna funktion är främst avsedd för erfarna användare av bensindrivna motorsågar som kanske inte har "känsla" för hur den batteridrivna sågen beter sig under olika belastningar. Den hjälper användarna att övervaka arbetsbelastningen för att undvika långvarig drift under tung belastning, vilket kan leda till att motorsågen stannar under drift på grund av att den blir för varm.

INDIKATOR FÖR HÖG TEMPERATUR (bild M)

Högtemperaturindikatorn tänds när maskinens temperatur överstiger 90°C eller batteriets temperatur överstiger 70°C under drift. Temperaturskyddskretsen stänger omedelbart av maskinen för att förhindra överhettningsskador. Släpp avtryckaren och vänta tills den överhettade maskinen eller batteriet har svalnat och indikatorn för hög temperatur slocknar, starta sedan om maskinen.

BROMSIKON (BILD M)

Bromssymbolen visas på LCD-skärmen när bromspedalen är i bromsläge.

Bromssymbolen blinkar när det rundstrålande kedjebromssystemet stoppar sågen. Se nästa kapitel för detaljerad information.

RUNDSTRÅLANDE KEDJEBROMSSYSTEM (Bild N1 och N2)

Det rundstrålande kedjebromssystemet är inte avsett att fungera som ett substitut för standard/traditionell kedjebroms. Användare skall aldrig helt lita på att denna funktion under arbetet med kedjesågen skyddar mot rekyl. Följ alltid säkerhetsinstruktionerna relaterat till mildrande av rekyl i varningssektionen i denna bruksanvisning.

När det rundstrålande kedjebromssystemet är aktiverat och stoppar sågen kommer bromsikonen att blinka på LCD-skärmen (bild M). Släpp avtryckaren, ta bort sågkedjan och svärdet från trä, starta sedan om kedjesågen.

NOTERA: Sensorerna kommer endast att detektera plötsliga rörelser i svärdets rörelseriktning (bild N1). Sensorerna kommer inte att detektera några plötsliga rörelser hos sågen i sidled (bild N2) (d.v.s. lodrät mot planet för svärdet).

OLJEUTMÄTNINGSNIVÅ OCH INDIKATOR FÖR LÅG OLJENIVÅ (Bild M)

Maskinen smörjer kedjan automatiskt. Med denna motorsåg kan du ändra oljeutmatningshastigheten med varje tryck på oljematningsknappen.

NOTERA: Oljeutmatningshastigheten kan endast ändras när sågkedjan inte är i drift.

Oljeutmatningsnivån på LCD-skärmen visar oljeutmatningshastigheten. En stapel för låg produktionsstakt, två staplar för medelhög produktionsstakt och tre staplar för hög produktionsstakt.

Välj en högre utmatningshastighet för snabbare kedjehastighet. Om sågkedjan blir torr under arbetet, stoppa motorn och välj ett högre oljeflöde.

När oljenivån är låg visas indikatorn för låg oljenivå ovanför staplarna för oljeutmatning på LCD-skärmen och endast låg utmatningshastighet är tillgänglig. Stoppa motorsågen och fyll på oljetanken enligt kapitlet **PÅFYLLNING AV OLJETANKEN MED SÄG- OCH KEDJSMÖRJMEDEL**.

När du har fyllt på oljetanken kör du motorsågen i ca 10 sekunder så att det automatiska smörjsystemet börjar fungera och indikatorn försvinner från LCD-skärmen.

UPPMÄRKSAMMA: Om indikatorn fortfarande visas på LCD-skärmen efter att du har utfört ovanstående steg kan systemet vara skadat. Sluta använda motorsågen och kontakta en EGO-auktoriserad serviceverkstad för reparation.

LED-STRÅLKASTARE (bild O)

LED-strålkastaren är placerad framtill på motorsågshuset. Strålkastaren ger belysning för ökad sikt och har 2 ljusstyrkenivåer.

Tänd strålkastaren genom att trycka en gång på strålkastar-/Bluetooth-knappen (bild M). Strålkastaren tänds med låg ljusstyrka och ikonen för strålkastare med låg ljusstyrka visas på LCD-skärmen. Tryck på strålkastar-/Bluetooth-knappen igen för att växla till hög ljusstyrka och strålkastarikonen för hög ljusstyrka visas på LCD-skärmen.

Stänga av strålkastaren genom att trycka på strålkastar-/Bluetooth-knappen en tredje gång så försvinner strålkastarikonen från LCD-skärmen.

0-1	Ikon för strålkastare med låg ljusstyrka	0-3	LED-strålkastare
0-2	Ikon för strålkastare med hög ljusstyrka		

SE

KOMMUNIKATIONSTEKNOLOGI

För information eller vårt kompletta utbud av anslutna produkter och tjänster, inklusive anslutningsinstruktioner, skanna QR-koden nedan eller besök www.egopowerplus.eu/connect.



KORREKT GREPP PÅ HANDTAGEN (bild P1)

- Använd halkfria handskar för maximalt grepp och skydd.
- Håll fast sågen med båda händerna på en fast och plan yta.
- Greppa alltid främre handtaget med vänster hand och det bakre handtaget med den högra handen.
- Fingrarna skall omsluta handtaget med tummen lindad under främre handtaget.

⚠ VARNING: Använd aldrig ett vänsterhandsgrepp (korsade händer) eller någon ställning som placerar kroppen eller armen över kedjelinjen.

⚠ VARNING: Hantera inte avtryckaren med vänster hand medan högra handen håller i främre handtaget. Låt aldrig någon del av kroppen befinna sig i kedjelinjen när kedjesågen används (bild P2).

KORREKT SÅGHÅLLNING (bild Q)

- Båda fötterna skall stå på fast underlag med vikten jämnt fördelad mellan fötterna.
- Vänster arm skall vara rak med armbågen låst. Detta hjälper till att stå emot de krafter som genereras av en rekyl.
- Kroppen skall alltid vara till vänster om kedjelinjen.

INSTRUKTIONER OM KORREKT TEKNIK FÖR GRUNDLÄGGANDE FÄLLNING, KVISTNING OCH KAPNING.

⚠ VARNING: Var alltid uppmärksam på fötternas placering och håll kedjesågen fast med båda händerna medan motorn är igång.

⚠ VARNING: När sågkedjan stoppas på grund av att den kläms fast under kapningen, släpp avtryckaren, ta bort sågkedjan och svärdet från trädet och starta om kedjesågen.

⚠ VARNING: Dra inte sågkedjan med handen när den är sitter fast med sågspån. Allvarliga skador kan uppstå om kedjesågen startar oavsiktligt. Tryck kedjesågen mot träet, flytta kedjesågen fram och tillbaka för att lossa skräpet. Ta alltid bort batteripaketet innan rengöring. Använd kraftiga skyddshandskar när sågkedjan hanteras.

⚠ VARNING: Starta aldrig kedjesågen när den har kontakt med träet. Låt alltid kedjesågen nå full hastighet innan sågen placeras mot träet.

FÄLLA ETT TRÄD

- Vid kapnings- och fällningsarbeten utförs av två eller fler personer samtidigt, skall fällningsarbetet vara åtskilt från kapningsarbetet med minst två gånger höjden på det träd som fälls. Träd skall inte fällas på ett sådant sätt som kan utsätta någon person för fara, träffa någon luftledning eller skada egendom. Om trädet kommer i kontakt med någon luftledning skall företaget meddelas omedelbart.
- Kedjesågens användare skall stå på ovansidan i terrängen då trädet mest troligt kommer att rulla eller glida nedåt efter att det fällts.
- En reträttväg skall planeras och rensas om så behövs innan kapningen startas. Reträttvägen skall vara bakåt och diagonalt mot baksidan av den förväntade falllinjen såsom bild R visar.

R-1	Fällriktning
R-2	Säkerhetsreträttväg

- Innan fällningen startar titta på den naturliga lutningen av trädet, placeringen av större grenar och vindriktningen för att avgöra åt vilket håll trädet kommer att falla.
- Ta bort smuts, stenar, lös bark, spikar, klamrar och ledningar från trädet.

Skärning underkapning

Gör skåran 1/3 av trädets diameter, i rät vinkel mot riktning som trädet fälls såsom bild S visar. Gör den nedre horisontella skåran först. Detta hjälper till att undvika klämning av antingen sågkedjan eller svärdet när den andra skåran görs.

S-1	Fällriktning	S-3	Fällningskapning
S-2	Skåra	S-4	Gångjärn

Fällningskapning

- Gör fällningskapningen minst 50 mm högre än den horisontella skärsågningen såsom bild S visar. Håll fällningskapningen parallellt mot det horisontella skärsågningen. Gör fällningssågningen så långt så att tillräckligt med trä finns kvar att fungera som ett gångjärn. Gångjärnsträt förhindrar att trädet vrider sig och faller i fel riktning. Såga inte igenom gångjärnet.
- När fällskäret närmar sig gångjärnet börjar trädet att falla. Upphör omedelbart att såga innan fällningssnittet är klart om det finns risk för att trädet inte faller i önskad riktning eller risk för att trädet gungar och bryter av sågkedjan. Använd sedan kilar av trä, plast eller aluminium för att öppna fällningssnittet och fälla trädet i önskad fallinje.
- När trädet börjar att falla, ta bort kedjesågen från kapstället, stoppa motorn, lägg ned kedjesågen och använd den planerade reträttvägen. Var uppmärksam på grenar över huvudet och se upp med fotplaceringen.

Kvista ett träd

Kvistning är borttagning av grenar från ett träd som fällt. Vid kvistning lämna större kvistar för att stödja stocken från marken. Ta bort de mindre kvistarna i en kapning såsom bild T visar. Spända grenar ska skäras från undersidan och uppåt för att undvika att kedjan fastnar.

Kapa en stock

Kapning är att såga ett fällt träd i längder. Det är viktigt att se till att du har ett bra fotfäste och att vikten är jämnt fördelad på båda fötterna. När så är möjligt skall stocken lyftas och stödas med hjälp av grenar, kvistar eller klossar. Följ de enkla direktiven för enkel kapning.

När en stock stöds längs dess hela längd såsom bild U1 visar, kapas den från ovsidan (överkapning).

När stocken stöds i ena änden, såsom bild U2 visar, kapa 1/3 av diametern från undersidan (underkapning). Gör sedan den slutliga kapningen med överkapning för att möta den första sågningen.

När stocken stöds i båda ändarna, såsom bild U3 visar, kapa 1/3 av diametern från ovsidan (överkapning). Gör sedan den slutliga kapningen med underkapning den nedre 2/3 för att möta den första sågningen.

Vid kapning i en sluttning stå alltid ovanför stocken såsom bild V visar.

Vid "genomkapning", för att bibehålla fullständig kontroll lossa på sågtrycket nära änden på sågningen utan att släppa greppet om kedjesågens handtag. Låt inte kedjan komma i kontakt med marken. När sågning är klar, vänta tills sågkedjan stannar innan du flyttar kedjesågen.

Stoppa alltid motorn innan du flyttar mellan träden.

UNDERHÅLL

⚠ VARNING: Vid service ska enbart identiska utbyteskomponenter användas. Användning av andra delar kan skapa risker eller orsaka produktskador. För att garantera en säker och pålitlig användning måste alla reparationer utföras av en kvalificerad servicetekniker.

⚠ VARNING: Undvik allvarliga personskador genom att ta bort batteripaketet från produkten innan inspektion, rengöring eller underhåll utförs. Ett batteridrivet verktyg med batteripaketet isatt är alltid påslaget och kan starta oavsiktligt.

⚠ VARNING: Vid rengöring av kedjesågen, sänk INTE ned den i vatten eller annan vätska.

⚠ VARNING: Låt aldrig bromsvätska, bensin, petroleumbaserade produkter, penetrerande oljor etc. komma i kontakt med plastdelar. Kemikalier kan skada, försvaga eller förstöra plast vilket kan resultera i allvarliga personskador.

RENGÖRING

- Efter varje användning, ta bort skräp från kedjan och svärdet med en mjuk borste. Torka av kedjesågens yta med en ren trasa fuktad med en mild tvällösning.
- Ta bort sidokåpan och använd sedan en mjuk borste för att ta bort skräp från svärdet, sågkedjan, kedjehjulet och sidokåpan.
- Ta bort bottenlocket ungefär var 8:e drifttimme och använd sedan en mjuk borste för att avlägsna skräp inuti maskinen och på locket (bild W).
- Rensa alltid bort träspån, sågspån och smuts från svärdets spår när sågkedjan byts.

UNDERHÅLL AV SVÄRDET

När svärdet visar tecken på slitage, ska den demonteras från kedjesågens drivenhet och vändas för återmontering (bild X1). På detta sätt kommer slitage att fördelas för att maximera svärdets livslängd.

Svärdet skall rengöras dagligen efter användning och kontrolleras om det är slitet eller skadat (bild X2). Skäggnings och gradning hos sågsvärdet är en normal process vid svärdsslitage. Sådana fel skall jämnas till med en fil så snart som de uppstår. Ett svärd med något av följande fel skall bytas ut.

- Slitage på insidan av svärdsspåren som låter kedjan glida över åt sidan.

SE

- Böjt sågsvärd.
- Spräckta eller trasiga spår.
- Breddade spår.

Dessutom har svärdet en kugge på dess spets (bild X3).

Kuggen måste smörjas veckovis med fettspruta för att öka svärdets livslängd. Använd en fettspruta för att smörja varje vecka med kedjeolja med hjälp av smörjhålet (bild W4). Vrid svärdet och kontrollera att smörjhålen och kedjespåret är fria från föroreningar.

X-1	Svärdskenor	X-3	Smörjhål
X-2	Kedjekrans i svärdsspetsen		

SE

UPPMÄRKSAMMA: Använd EGO-auktoriserade smörjmedel för bästa resultat.

TRANSPORT OCH FÖRVARING

Förvara inte eller transportera kedjesågen när den körs. Ta alltid bort batteripaketet innan förvaring och transport.

Placera alltid svärdsskyddet på svärdet och kedjan innan förvaring eller transport av kedjesågen. Var försiktig för att undvika de vassa tänderna på kedjan.

Rengör kedjesågen noga innan förvaring. Förvara kedjesågen inomhus på en torr plats som är låst och/eller oåtkomlig för barn.

Håll den undan från korrosiva medel såsom trädgårdskemikalier och avisnings salt.

SKYDDA MILJÖN



Kasta inte elektrisk utrustning, använt batteri och laddare i hushållssoporna!

Ta denna produkt till en auktoriserad återvinnare och gör den tillgänglig för separat insamling. Elektriska verktyg måste returneras till en miljöanpassad återvinningsanläggning.

FELSÖKNING

⚠ VARNING: Skydda alltid dina händer genom att använda kraftiga handskar när underhåll utförs på kedjesågen. Ta alltid bort batteripaketet vid service eller transport av kedjesågen.

PROBLEM	ORSAK	LÖSNING
Motorn startar inte.	<ul style="list-style-type: none"> ■ Batteripaketet är inte fastsatt på kedjesågen. ■ Ingen elektrisk kontakt mellan såg och batteripaket. ■ Om bränslemätarens cirkel på LCD-skärmen blinkar är batteripaketet urladdat. ■ Om indikator för hög temperatur visas på LCD-skärmen är batteripaketet eller motorsågen alltför varm. ■ Om kedjebromsikonen visas på LCD-skärmen är kedjebromsen inkopplad. ■ Skräp i svärdsspåret. ■ Skräp i sidokåpan. 	<ul style="list-style-type: none"> ■ Sätt i batteriet i kedjesågen. ■ Ta bort batteripaketet, kontrollera kontaktorna och sätt tillbaka batteripaketet. ■ Ladda batteripaketet. ■ Låt batteripaketet eller kedjesågen svalna tills temperaturen sjunker under 67°C. ■ Dra kedjans rekylbromspaddel bakåt mot fronthandtaget tills driftläget nås. ■ Tryck kedjesågen mot trä, flytta kedjesågen fram och tillbaka för att lossa skräpet. ■ Ta bort batteripaketet, ta sedan bort sidokåpan och rensa bort skräpet.
Hastighetsläget kan inte ändras.	<ul style="list-style-type: none"> ■ Urkopplaren för kedjehastighet har fastnat på grund av skräp. 	<ul style="list-style-type: none"> ■ Rensa bort skräpet runt urkopplaren för kedjehastigheten.
Motorsågen stannar oväntat under drift.	<ul style="list-style-type: none"> ■ Kedjesågen är överbelastad. ■ Om indikator för hög temperatur visas på LCD-skärmen är batteripaketet eller motorsågen alltför varm. ■ Sågkedjan är klämd i trä. ■ Om kedjebromssymbolen blinkar på LCD-skärmen stoppas sågen av det rundstrålande kedjebromssystemet. 	<ul style="list-style-type: none"> ■ Minska belastningen. ■ Låt batteripaketet eller kedjesågen svalna tills temperaturen sjunker under 67°C. ■ Släpp avtryckaren, ta bort sågkedjan och svärdet från trä, starta sedan om kedjesågen. ■ Släpp avtryckaren, ta bort sågkedjan och svärdet från trä, starta sedan om kedjesågen.
Motorn körs men kedjan roterar inte.	<ul style="list-style-type: none"> ■ Kedjan kuggar inte in i kedjedrivhjulet. 	<ul style="list-style-type: none"> ■ Installera om kedjan, se till att drivlänkarna på kedjan är helt isatt i kedjedrivhjulet.

SE

PROBLEM	ORSAK	LÖSNING
Kedjebromsen aktiveras inte.	<ul style="list-style-type: none"> ■ Skräp förhindrar fullständig rörelse hos kedjans rekylbromspaddel. ■ Möjligt funktionsfel hos kedjebromsen. 	<ul style="list-style-type: none"> ■ Rensa bort skräp från den externa kedjebromsmekanismen ■ Kontakta EGO kundtjänst för hjälp.
Kedjesågen sågar inte korrekt.	<ul style="list-style-type: none"> ■ Otillräcklig kedjespänning. ■ Slö kedja. ■ Kedjan installerad baklänges. ■ Sliten kedja. ■ Torr eller kraftigt sträckt kedja. ■ Kedjan är inte i svärdsspåren. 	<ul style="list-style-type: none"> ■ Justera kedjespänningen enligt följ sektionen: "INSTÄLLNING AV KEDJESPÄNNINGEN". ■ Vassa kedjan. ■ För att montera tillbaka sågkedjan, följ avsnittet "MONTERA/BYTA UT SVÄRDET OCH KEDJA". ■ Byt kedjan enligt följ sektionen: "MONTERING/BYTE AV SVÄRDET OCH KEDJAN". ■ Kontrollera oljenivån. Fyll på oljetanken och välj en högre oljetillförselvolym om det behövs. ■ Installera om kedjesågen enligt följande sektion: "MONTERING/BYTE AV SVÄRDET OCH KEDJAN".
Kedjan blir lös och hoppar av svärdet vid normal användning.	<ul style="list-style-type: none"> ■ Kedjan kommer att bli lös då temperaturen på kedjan ökar under normalt sågarbete. ■ Kedjan kuggar inte in i kedjedrivhjulet. 	<ul style="list-style-type: none"> ■ Spänn kedjan genom att följa sektionen "INSTÄLLNING AV KEDJESPÄNNINGEN". ■ Installera om kedjesågen enligt följande sektion: "MONTERING/BYTE AV SVÄRDET OCH KEDJAN".
Svärdet och kedjan körs het och ryker.	<ul style="list-style-type: none"> ■ Om indikatorn för låg oljenivå visas på LCD-skärmen är kedjans oljetank tom. ■ Skräp i svärdspåret. 	<ul style="list-style-type: none"> ■ Kontrollera oljenivån. Fyll på oljebehållaren om så behövs. ■ Rensa bort skräp från spåret.
Indikatorn för låg oljenivå visas på LCD-skärmen även om det är tillräckligt med olja i oljetanken. Eller även om oljetanken är tom på olja visar LCD-skärmen inte indikatorn för låg oljenivå.	<ul style="list-style-type: none"> ■ Komponenten för oljenivådetektering har ännu inte detekterat den verkliga oljenivån på grund av kvarvarande olja eller luft i oljeröret. ■ Fel på komponent för avkänning av oljenivå. 	<ul style="list-style-type: none"> ■ Vänta några minuter tills eventuell kvarvarande olja eller luft har runnit ut ur oljeslangen.

GARANTI

EGO GARANTIPOLICY

Besök webbsidan egopowerplus.eu för fullständiga villkor för EGO garantipolicy.

LUE KAIKKI OHJEET!



LUE KÄYTTÖOPAS

VAROITUS: Pätevän huoltoteknikon tulee suorittaa kaikki korjaukset, jotta voidaan taata tuotteen turvallinen ja luotettava käyttö.

VAROITUS: Lue ja ymmärrä tämän käyttöoppaan kaikki turvallisuusohjeet, mukaan lukien turvallisuusvaroitussymbolit, kuten **"VAARA"**, **"VAROITUS"** ja **"HUOMIO"** ennen laitteen käyttämistä. Alla olevien ohjeiden noudattamatta jättäminen saattaa aiheuttaa sähköiskun, tulipalon ja/tai vakavan henkilövahingon.



Turvallisuushälytys



Käytä silmäsuojaimia



Käytä suojakypärää



Varo moottorisahan takapotkua ja vältä kosketusta terälevyn kärkeen



Terälevyn tiedot



Taattu äänitehotaso. Melupäästöt ympäristöön Euroopan yhteisön direktiivin mukaiset.



Tämä tuote vastaa sovellettavia EU-direktivejä.



Bluetooth®

mm Millimetri

V Jännite

IPX5 Suojaus vesisuihkuja vastaan

SÄILYTÄ KAIKKI VAROITUKSET JA OHJEET MYÖHEMPÄÄ KÄYTTÖÄ VARTEN.

TURVALLISUUSSYMBOLIT

VAROITUS: Minkä tahansa sähkötyökalun käyttö saattaa aiheuttaa vierasesineiden sinkoutumisen silmiin, mikä voi aiheuttaa vakavia silmävammoja. Käytä aina suojalaseja, joissa on sivusuojat, ja tarvittaessa koko kasvoja peittävää suojaa, kun käytät sähkötyökaluja. Silmälasien päällä suosittelemme käytettäväksi suojamaskia, jossa on laaja näkökenttä, tai tavallisia suojalaseja, joissa on sivusuojat.



Käyttäjän on luettava ja ymmärrettävä käyttöopas ennen tämän laitteen käyttöä loukkaantumisvaaran vähentämiseksi.



Käytä kuulosuojaimia



Käytä suojakäsineitä



Terälevyn kärjen takapotku



Käytä moottorisahaa aina kahdella kädellä



Vanhoja sähkölaitteita ei saa hävittää kotitalousjätteen mukana. Vie laite valtuutettuun kierrätyslaitokseen.



Tämä tuote vastaa sovellettavaa UK-lainsäädäntöä.



Tasavirta


n_0 Tyhjäkäyntinopeus

./min per minuutti

FI

HUOMAA: Bluetooth®-sanamerkki ja -logot ovat Bluetooth SIG, inc:n omistamia rekisteröityjä tavaramerkkejä, ja EGO käyttää näitä merkkejä lisenssillä.

TEKNISET TIEDOT

Nimellisjännite	56V 	
Maks. Ketjun nopeus	30 m/s	
Ketjujako	8.255 mm / 0.325"	
Ketjumittari	1.3 mm	
Terälevyn pituus	50 cm	
Teräketjun malli	AC2035 (suositus)	
	AC1635, AC1835 (Yhteensopiva)	
Teräketjun ja terälevyn malli	AK2035 (suositus)	
	AK1635, AK1835 (Yhteensopiva)	
Ketjuöljysäiliön tilavuus	250 ml	
Paino (ilman akkua, teräketjua, terälevyä, sivusuojusta, öljyä ja ketjunsuojusta)	4.3 kg	
Suositteltu käyttölämpötila	-15°C-40°C	
Suositteltu säilytyslämpötila	-20°C-70°C	
Suositteltu latauslämpötila	5°C-40°C	
Mitattu äänitehotaso L_{WA}	102 dB(A)	
	$K=2.3$ dB(A)	
Äänenpaineen taso käyttäjän kohdalla L_{PA}	92 dB(A)	
	$K=3$ dB(A)	
Taattu äänen tehotaso L_{WA} (mitattu 2000/14/EY mukaisesti)	104 dB(A)	
Tärinä a_h	Etukahva	3.3 m/s ²
		$K=1.5$ m/s ²
	Takakahva	1.74 m/s ²
		$K=1.5$ m/s ²

- Ilmoitettu tärinän kokonaispäästöarvo on mitattu standarditestausmenetelmän mukaisesti, ja sen avulla voidaan vertailla työkaluja keskenään;
- Ilmoitettua tärinän kokonaispäästöarvoa voidaan käyttää myös altistumisen alustavaan arviointiin.

HUOMAUTUS: Työkalun käytön aikana mitattu todellinen tärinäpäästöarvo voi poiketa ilmoitetusta kokonaispäästöarvosta työkalun käyttötavasta johtuen; käyttäjän suojaamiseksi tulee käyttää käsineitä ja kuulosuojaimia varsinaisissa käyttöolosuhteissa.

PAKKAUSLUETTELO (KUVA A1)

KUVAUS

TUNNE MOOTTORISAHASI (kuva A1)

1. Teräketju
2. Ketjun takapotkun jarrukahva
3. Etukahva
4. LCD-näyttö
5. Nopeustaso
6. Bluetooth-kuvake
7. Etuvalokuvake
8. Jarrukuvake
9. Korkean lämpötilan merkkivalo
10. Akkutehon ympyrä
11. Kuormitusvirran taso
12. Alhaisen öljytason merkkivalo
13. Etuvalo/Bluetooth-painike
14. Öljynsyöttöpainike
15. Öljyn ulostulotaso
16. Lukituksen vapautuspainike
17. Liipaisinkytkin
18. Takakahva
19. Ketjun nopeudenvaihdin
20. Akun vapautuspainike
21. Öljyntarkistusikkuna
22. Öljysäiliön korkki
23. Laippa
24. Voiteluaukko
25. Ketjun kiristyspultti
26. Sivukansi
27. Lukkomutterit
28. Katkontapiikit
29. LED-etuvalo
30. Teräsuoja
31. Monikäyttöavain

KOKOAMINEN

TERÄLEVYN JA KETJUN KOKOAMINEN/VAIHTAMINEN

VAROITUS: Säädä ketjun takapotkujarrun kahva jarrutusasettoon ennen kokoamista.

1. Aseta moottorisahan akkupaää kyljelleen niin, että sivukansi osoittaa ylös (kuva B).
2. Poista sivukansi kääntämällä kahta lukkomutteria vastapäivään.
3. Löysää ketjun kireyttä kääntämällä ketjun kiristyspulttia vastapäivään.
4. Aseta teräketju silmukaksi tasaiselle alustalle ja oikaise mahdolliset kiertymät (kuva C).

- Laita ketjun vetolenkit terälevyn uraan ja tee ketjusta silmukka terälevyn takaosaan (kuva D).
- Pida ketjua paikallaan terälevyssä ja aseta silmukka sahan ketjupyörän ympärille (kuva E1).

B-1	Lukkomutterit	D-2	Terälevyn ura
B-2	Ketjun kiristyspultti	E-1	Vetopyörä
D-1	Ketjun vetolenkit		

HUOMAUTUS: Kun pujotat teräketjua terälevyn päälle, varmista, että terälevyn sahaan asentamisen jälkeen hampaiden suunta vastaa kotelossa olevaa kuvaketta ja pyörimissuunnan nuolta. Jos ne osoittavat vastakkaisiin suuntiin, asenna teräketju uudelleen terälevyn päälle siten, että nuolet osoittavat samaan suuntaan (kuva E2).

- Aseta sivukansi takaisin moottorisahan koteloon ja kiristä molemmat lukkomutterit täyteen kireyteen.
- Pyöritä ketjua käsin tarkistaaksesi, että ketju on oikein asennettu eikä jää kiinni. Muutoin asenna ketju ja terälevy uudelleen.

HUOMAUTUS: Pidennä terälaipan käyttökäytä kääntämällä se välillä ympäri.

KETJUN KIREYDEN SÄÄTÖ

- Sammuta moottori ja irrota akkuyksikkö ennen kuin säädät ketjun kireyttä. Käännä ketjun kiristyspulttia myötä- tai vastapäivään ketjun kireyden säätämiseksi (kuva F), kunnes ketju istuu tiukasti terälevyä vasten vetolenkkien ollessa terälevyn urassa.
- Kylmä ketju on oikein kiristetty, kun ketju ei ole löysällä terälaipan alapuolella ja ketju on tiukka, mutta sitä voidaan kääntää käsin ongelmitta. Ketju on kiristettävä uudelleen aina silloin, kun liikeliihtinten tasanteet eivät osu terälevyn uraan.
- Ketjun lämpötila nousee normaalin sahaamisen aikana. Oikein kiristetyt lämpimän ketjun vetolenkit roikkuvat noin 1,3 mm terälevyn urasta (kuva G).

HUOMAUTUS: Uusilla ketjuilla on tapana venyä; tarkasta ketjunkireys säännöllisesti ja kiristä ketjua tarvittaessa.

HUOMAUTUS: Lämpimänä kiristetty ketju voi olla liian tiukka, kun se on jäähtynyt. Tarkasta kylmäkireys ennen seuraavaa käyttöä.

KÄYTTÖ

VAROITUS: Älä anna tämän laitteen tuttuuden tehdä sen käsittelystä huolimattonta. Muista, että sekunnin sadasosankin huolimattomuus riittää vakavan vamman aiheutumiseen.

VAROITUS: Älä käytä lisälaitteita tai lisävarusteita, jos tämän tuotteen valmistaja ei ole suositellut niitä. Tällaisten lisävarusteiden tai apuvälineiden käyttö saattaa aiheuttaa vakavia henkilövahinkoja.

VAROITUS: Poista akku työkalusta aina, kun kokoat osia, teet muutoksia tai puhdistat laitetta tai kun et käytä sitä. Näin varmistat, ettei laite käynnisty vahingossa eikä aiheuta vakavia henkilövahinkoja.

Ennen jokaista käyttökertaa tarkista laite kokonaisuudessaan vahingoittuneiden, puuttuvien tai löysin osien varalta (esim. mutterit, pultit, korkit yms.). Kiinnitä kaikki kiinnittimet ja korkit tiukasti äläkä käytä laitetta ennen kuin kaikki puuttuvat tai vahingoittuneet osat on vaihdettu.

KÄYTTÄMINEN

Voit käyttää tätä tuotetta tavalliseen puunkaatoon, oksien karsimiseen ja puiden leikkuuseen.

HUOMAUTUS: Koneetta saa käyttää vain sille määritettyyn tarkoitukseen. Kaikki muu käyttö katsotaan väärinkäytöksi.

TERÄLEVYN JA KETJUN VOITELUAINEN TÄYTTÖ

VAROITUS: Älä polta tai pidä tulta öljyn tai moottorisahan lähellä. Öljy voi läikkyä ja seurauksena voi olla tulipalo.

HUOMAUTUS: Moottorisahassa ei ole ostohetkellä öljyä. On tärkeää täyttää säiliö öljyllä ennen käyttöä. Ketjua voidellaan ketjuöljyllä automaattisesti käytön aikana.

- Aseta moottorisaha kyljelleen niin, että säiliön korkki osoittaa ylös.
- Puhdista öljysäiliön korkki ja sitä ympäröivä alue, jotta likaa ei pääse öljysäiliöön.
- Nosta puoliympyrän muotoinen levy ylös ja irrota öljysäiliön korkki kiertämällä sitä vastapäivään (kuva H).
- Kaada varovasti terälevy- ja ketjuöljyä säiliöön. Täytä täyttökaulan pohjaan saakka.
- Pyyhi ylimääräiset öljyt pois ja laita korkki paikoilleen.

HUOMAUTUS: Tarkista öljyn taso säännöllisesti ja

täytä, jos öljyn taso on minimilinjan alapuolella. Älä käytä moottorisahaa, jos öljyä ei enää näy.

AKUN LIITTÄMINEN/POISTAMINEN

HUOMAA: Akkutehon ympyrä LCD-näytössä osoittaa akun varaustason (kuva A1). Ympyrä vilkkuu, kun akun varaus on lähes tyhjä. Lataa akku täyteen ennen ensimmäistä käyttökertaa.

Käytä vain EGO:n akkuja ja latureita, jotka on lueteltu kuvassa A2.

Lataa täyteen ennen ensimmäistä käyttökertaa.

Liittäminen

Aseta akun ulokkeet kiinnitysaukoihin ja paina akku alaspäin, kunnes kuulet "naksahduksen" (kuva I).

Poistaminen

Paina akun vapautuspainiketta ja vedä akku ulos (kuva J).

MOOTTORISAHAN KÄYNNISTÄMINEN/ SAMMUTTAMINEN

HUOMAUTUS: Ennen kuin käynnistät moottorisahan, tarkista öljytaso, sahan hampaiden terävyys ja takapotkun jarrukahvan toimivuus. Lisäksi tarvitsit tasapainoisen asennon ja riittävän etäisyyden maan ja moottorisahan välillä.

Käynnistäminen (kuva K).

1. Vedä ketjun takapotkun jarrukahva kohti etukahvaa toiminta-asentoon (kuva K).
2. Tartu etukahvaan tukevasti **vasemmalla** kädellä ja takakahvaan **oikealla** kädellä.

VAROITUS: Loukkaantumisen välttämiseksi käytä moottorisahaa aina oikealla kädellä tarttuen takakahvan tartunta-alueeseen (kuva L).

3. Pidä lukituksen vapautuspainiketta painettuna oikean käden peukalolla ja purista sitten liipaisinkytkintä oikean käden sormilla sahan käynnistämiseksi (kuva L).

L-1	Tartunta-alue
-----	---------------

4. Vapauta lukituksen vapautuspainike ja jatka liipaisimen puristamista, jotta laite pysyy käynnissä.
5. Mitä pidemmälle liipaisinkytkin painetaan, sitä suurempi on ketjun nopeus. Säädä nopeus tehtävän työn mukaan.

VAROITUS: Älä yritä käynnistää sahaa, kun teräketju

on leikattavan asian keskellä.

Pysäyttämisen

1. Siirrä moottorisaha pois sahausalueelta ja vapauta sitten liipaisinkytkin moottorisahan pysäyttämiseksi.
2. Työnnä ketjun takapotkun jarrukahva eteenpäin jarrutusasentoon, niin ketjun jarru on käytössä (kuva K).

VAROITUS: Poista akku koneesta aina, kun pidät työstä taukoa ja kun lopetat työskentelyn.

NOPEUSTILAN VAIHTAMINEN (KUVA M)

Tässä koneessa on kolme nopeustilaa. Jokainen nopeustila rajoittaa moottorisahan enimmäisnopeutta. Nopeustila vaihtuu jokaisella ketjun nopeudenvaihtimen painalluksella.

LCD-näytön nopeustaso näyttää aktiivisen nopeustilan: yksi palkki tarkoittaa alhaista nopeutta, kaksi palkkia keskinopeutta ja kolme palkkia korkeaa nopeutta. Alhainen nopeustila (ECO) mahdollistaa koneen paremman hallinnan ja pidemmän käyttöajan latausta kohden.

M-1	Nopeustaso	M-7	Kuormitusvirran taso
M-2	Bluetooth-kuvake	M-8	Etuväli/ Bluetooth-painike
M-3	Etuvälökuvake	M-9	Öljynsyöttöpainike
M-4	Jarrukuvake	M-10	Ketjun nopeudenvaihdin
M-5	Korkean lämpötilan merkkivalo	M-11	Öljyn ulostulotaso
M-6	Akkutehon ympyrä	M-12	Alhaisen öljytason merkkivalo

HUOMAA: Kun käytetään EGO-akkuja, jonka nimellisarvo on 4,0 Ah tai vähemmän, vain ECO-tila on käytettävissä. Jos käytät nimellisarvoltaan alle 6,0 Ah:n EGO-akkuja, et voi saavuttaa suurta nopeutta. Parhaan suoritusasteen saamiseksi suosittelemme käyttämään EGO-akkuja, jotka ovat vähintään 6,0 Ah (esim. BA3360T).

HUOMAA: Moottorisahassa on ketjun nopeuden muistitoiminto. Kun moottorisaha käynnistetään seuraavan kerran, aiemmin käytetty nopeustila aktivoituu.

HUOMAA: LCD-näyttö syytty, kun liipaisinkytkintä vedetään tai kun öljynsyöttöpainiketta tai etuväli-/ Bluetooth-painiketta painetaan. Oletusarvoisesti

LCD-näyttö sammuu automaattisesti noin 1 sekunnin käyttämättömyyden jälkeen.

HUOMAA: Ketjun nopeudenvaihtimen painaminen ei käynnistä LCD-näyttöä.

KUORMITUSTASO (kuva M)

LCD-näytön oikeassa sivussa oleva kuormitustaso näyttää koneen nykyisen kuormituksen. Suurempi palkkien määrä osoittaa suurempaa kuormitusta ja pienempi palkkien määrä pienempää kuormitusta.

Tämä toiminto on tarkoitettu ensisijaisesti kokeneille kaasukäyttöisten moottorisahojen käyttäjille, jotka eivät ehkä osaa arvioida, miten akkukäyttöinen saha käyttäytyy eri kuormituksissa. Se auttaa käyttäjiä seuraamaan työkuormaa, jotta vältetään pitkäaikainen käyttö raskaalla kuormalla, jolloin moottorisaha voi pysähtyä käytön aikana ylikuumenemisen takia.

KORKEAN LÄMPÖTILAN MERKKIVALO (kuva M)

Korkean lämpötilan merkkivalo syttyy, kun koneen lämpötila ylittää 90°C tai akun lämpötila ylittää 70°C käytön aikana. Lämpötilan suojapiiri sammuttaa koneen välittömästi ylikuumenemisvaurioiden estämiseksi. Vapauta liipaisin ja odota, kunnes ylikuumentunut kone tai akku jäähtyy ja korkean lämpötilan merkkivalo sammuu, ja käynnistä kone sitten uudelleen.

JARRUKUVAKE (kuva M)

Jarrukuvake näkyy LCD-näytössä, kun jarrukahva on jarruasennossa.

Jarrukuvake vilkkuu, kun monisuuntainen ketjujarrujärjestelmä pysäyttää sahan. Yksityiskohtaisia tietoja on seuraavassa luvussa.

MONISUUNTAINEN KETJUJARRUJÄRJESTELMÄ (kuva N1 ja kuva N2)

Monisuuntaista ketjujarrujärjestelmää ei ole tarkoitettu korvaamaan tavallista/perinteistä ketjujarrua. Käyttäjä ei saa koskaan luottaa tähän ominaisuuteen takapotkun estämisessä moottorisahan käytön aikana. Noudata aina takapotkun vaimentamiseen liittyviä turvallisuusohjeita, jotka löytyvät tämän käyttöoppaan varoitusosasta.

Kun monisuuntainen ketjujarrujärjestelmä on aktivoitu ja se pysäyttää sahan, jarrukuvake vilkkuu LCD-näytössä (kuva M). Irrota ote liipaisinkytkimestä, irrota teräketju ja terälevy puusta, käynnistä sitten moottorisaha uudelleen.

HUOMAA: Anturit tunnistavat sahan äkillisen liikkeen vain terälevyn tasolla (kuva N1). Anturit eivät tunnista mitään sahan äkillistä liikettä sivusuunnassa (kuva N2) (eli kohtisuoraan terälevyn tasoon nähden).

ÖLJYN ULOSTULOTASO JA ALHAISEN ÖLJYTASON MERKKIVALO (Kuva M)

Kone voitelee ketjun automaattisesti. Tämä moottorisaha sallii öljyn syöttönopeuden muuttamisen jokaisella öljynsyöttöpainikkeen painalluksella.

HUOMAA: Öljyn ulostulonopeutta voidaan muuttaa vain, kun teräketju ei ole käynnissä.

Öljyn ulostulotaso LCD-näytössä näyttää öljyn ulostulonopeuden. Yksi palkki matalalle, kaksi palkkia keskitasoiselle ja kolme palkkia korkealle ulostulonopeudelle.

Valitse korkeampi ulostulonopeus ketjun korkealle nopeudelle. Jos teräketju kuivuu työskentelyn aikana, pysäytä moottori ja valitse korkeampi öljyn ulostulonopeus.

Kun öljytaso on alhainen, LCD-näyttöön ilmestyy öljyn ulostulopalkkien yläpuolelle öljyn vähyyden merkkivalo, ja käytettävissä on vain alhainen ulostulonopeus. Pysäytä moottorisaha ja täytä öljysäiliö luvun **TERÄLAIPAN JA -KETJUN VOITELUAINEN LISÄÄMINEN** mukaisesti.

Kun olet täyttänyt öljysäiliön, käytä moottorisahaa noin 10 sekuntia, jotta automaattinen voitelujärjestelmä alkaa toimia ja merkkivalo katoaa LCD-näytöstä.

HUOMAUTUS: Jos merkkivalo näkyy edelleen LCD-näytössä edellä mainittujen vaiheiden suorittamisen jälkeen, järjestelmä voi olla vaurioitunut. Lopeta moottorisahan käyttö ja ota yhteys EGO:n valtuuttamaan huoltoliikkeeseen korjausta varten.

LED-ETUVALO (kuva O)

LED-etuvalo sijaitsee moottorisahan kotolon etuosassa. Etuvalo tarjoaa valoa näkyvyyden parantamiseksi ja siinä on 2 kirkkautasoa.

Kytke etuvalo päälle painamalla kerran etuvalo-/Bluetooth-painiketta (kuva M). Etuvalo kytkeytyy päälle alhaisella kirkkautasolla ja LCD-näytössä näkyy alhaisen kirkkauden etuvalon kuvake. Paina etuvalo-/Bluetooth-painiketta uudelleen siirtyäksesi korkealle kirkkautasolle, LCD-näytössä näkyy korkealla kirkkaudella toimivan etuvalon kuvake.

Voit sammuttaa etuvalon painamalla etuvalo-/Bluetooth-painiketta kolmannen kerran, jolloin etuvalokuvake katoaa LCD-näytöstä.

0-1	Alhaisen kirkkauden etuvalon kuvake	0-3	LED-etuvalo
0-2	Korkean kirkkauden etuvalon kuvake		

VIESTINTÄTEKNIikka

Jos haluat tietoja yhdistettyjen tuotteiden ja palveluiden koko valikoimasta, mukaan lukien yhdistämisohteet, skanna alla oleva QR-koodi tai käy osoitteessa www.egopowerplus.eu/connect.



OIKEA OTE KAHVOISTA (KUVA P1)

- Käytä liukumisen estäviä käsineitä, jotta saat parhaan mahdollisen otepitävyyden ja suojan.
- Pidä sahasta kiinni molemmin käsin, kun se on tukevalla, tasaisella alustalla.
- Tartu etukahvaan vasemmalla kädellä ja takakahvaan oikealla kädellä.
- Sormien tulisi kiertyä kahvan ympärille niin, että peukalo on kiertynyt etukahvan alle.

VAROITUS: Älä käytä vasenkätistä (ristikätistä) otetta tai asentoa, joka saattaisi asettaa kätesi tai kehosi teräketjun eteen.

VAROITUS: Älä käytä liipaisukytkintä vasemmalla kädelläsi ja pidä etukahvaa oikealla kädelläsi. Älä päästä mitään osaa kehostasi sahauslinjalle moottorisahalla työskentelyn aikana (kuva P2).

OIKEA SAHAUSASENTO (KUVA Q)

- Molemmat jalat tukevasti maassa ja paino jakautuneena niille tasaisesti.
- Vasen käsi suorana ja kyynärpää lukittuneena. Tämä auttaa kestämään takapotkun aiheuttamia voimia.
- Vartalosi pitäisi olla aina teräketjun vasemmalla puolella.

YKSINKERTAISEN PUUNKAADON, KARSIMISEN JA RISTISAHAUKSEN OHJEET

VAROITUS: Seiso aina tasapainoisesti ja pidä moottorisahaa molemmilla käsillä, kun se on käynnissä.

VAROITUS: Kun moottorisaha sammuu, koska se juuttuu sahausajan aikan johonkin, irrota ote liipaisinkytkimestä; irrota teräketju ja terälevy puusta ja käynnistä moottorisaha uudelleen.

VAROITUS: Älä vedä teräketjua käsin, kun se

sakkaa sahanpurun takia. Jos moottorisaha käynnistyy vahingossa, se saattaa aiheuttaa vakavan vamman. Paina teräketjua puuta vasten ja liikuta moottorisahaa eteen ja taakse irrottaaksesi irtoaineksen. Poista akku aina ennen puhdistusta. Käytä tukevia suojahansikkaita, kun käsittelet teräketjua.

VAROITUS: Älä ikinä käynnistä moottorisahaa, kun se koskettaa puuhun. Anna moottorisahan kiihtyä täyteen nopeuteensa ennen kuin käytät sitä puun sahaamiseen.

PUUN KAATAMINEN

- Kun puita karsitaan tai kaadetaan samanaikaisesti kahden tai useamman henkilön toimesta, vähimmäisetäisyys karsinta-alueen ja kaatopaikan välillä on vähintään kaksi kertaa puun pituus. Puita ei saa kaataa tavalla, joka saattaa aiheuttaa vaaraa ihmisille, osua sähkölinjaan tai aiheuttaa omaisuusvahinkoja. Jos puu kuitenkin osuu sähkölinjaan, sähköyhtiölle on ilmoitettava siitä välittömästi.
- Moottorisahan käyttäjän tulee seistä ylämäen puolella, sillä puu todennäköisesti kieri tai valuu alamäkeen kaaduttuaan.
- Suunnittele ja tarvittaessa tyhjennä poistumisreitti valmiiksi ennen kuin alat sahata puuta. Poistumisreitit tulee ulottua arvioidun kaatosuunnan taakse vinosti, kuten näytetään kuvassa R.

R-1	Kaatosuunta
R-2	Turvallinen pakotie

- Huomioi ennen kaatamisen aloittamista puun luonnollinen taipumissuunta, suurempien oksien sijainti ja tuulen suunta, jotta voit arvioida mihin suuntaan puu kaatuu.
- Poista lika, kivet, irtonainen kuoriossa, naulat, niitit ja rautalanka puusta.

Alempi lovi

Tee runkoon lovi, joka on 1/3 puun halkaisijasta ja on kohtisuoraan kaatumissuuntaan kuvan S osoittamalla tavalla. Sahaa ensin alempi vaakasuora lovi. Se auttaa välttämään teräketjun tai terälevyn puristuksiin jäämisen, kun toista lovea sahataan.

S-1	Kaatumissuunta	S-3	Kaatosahaus
S-2	Lovi	S-4	Sarana

Kaatosahaus

- Tee kaatosahaus ainakin 50 mm korkeammalle kuin vaakasuora lovi, kuten kuvassa S näytetään. Tee kaatosahaus samansuuntaisesti vaakasuoran loven kanssa. Sahaa kaatosahaus niin, että jäljelle jää riittävästi puuta saranana toimimiseen. Sarana pitää huolta siitä, ettei puu käänny ja kaadu väärään suuntaan. Älä sahaa läpi saranasta.
- Kun saha on lähellä saranaa, puun pitäisi alkaa kaatua. Jos on olemassa mahdollisuus, että puu ei kaadu haluttuun suuntaan tai että se saattaa kaatua kohti sahaa ja lukita teräketjun, lopeta sahaaminen ennen kuin kaatolovi on valmis ja käytä puisia, muovisia tai alumiinisia kiiloja pitämään lovi avonaisena. Kaada puu sitten haluttuun suuntaan.
- Kun puu alkaa kaatua, poista moottorisaha lovesta, sammuta moottori, laske moottorisaha alas ja käytä suunniteltua pakotietä. Varo ylhäältä putoavia oksia ja katso mihin astut.

Puun karsiminen

Tässä yhteydessä puhutaan kaadetun puun oksien karsimisesta. Kun karsit oksia, jätä suuremmat alaokset tukemaan tukkia niin, että se pysyy irti maasta. Poista pienemmät oksat yhdellä sahauskella, kuten kuvassa T. Jännityksessä olevat oksat tulee sahata alhaalta ylös, jotta moottorisaha ei jää niihin kiinni.

Tukin pilkkominen

Tässä tarkoitetaan suuremman puun pilkkomista pienemmiksi paloiksi. On tärkeää, että asentosi on tasapainoinen ja painosi on tasaisesti molemmilla jaloilla. Mikäli mahdollista nosta runko irti maasta ja tue se oksien, pölkkyjen tai kiilojen avulla. Noudata yksinkertaisia ohjeita helppoon sahaamiseen.

Kun tukki on tuettu koko pituudeltaan kuvan U1 osoittamalla tavalla, se sahataan ylhäältä (yläsahaus).

Kun tukki on tuettu toisesta päästä kuvan U2 osoittamalla tavalla, sahaa halkaisijasta 1/3 alapuolelta (alasaahaus). Sahaa sitten loput rungon yläpuolelta alemman sahauskohdalta.

Kun tukki on tuettu molemmista päistä kuvan U3 osoittamalla tavalla, sahaa halkaisijasta 1/3 ylhäältä (yläsahaus). Sahaa sitten loppuun alapuolelta niin, että alemmat 2/3 kohtaavat ensimmäisen sahausloven.

Kun pilkot rinteessä, seisoo aina tukin yläpuolella rinteessä, kuten kuvassa V.

Kun sahaat läpi, säilytä täydellinen hallinta vapauttamalla sahauspaine sahausloven loppuvaiheessa niin, ettei irrota otetta moottorisahan kahvoista. Älä anna ketjun osua maahan. Kun sahaus on valmis, odota, että moottorisaha

sammuu ennen kuin siirrät sitä. Sammuta moottori aina ennen kuin siirryt toisen puun luo.

HUOLTAMINEN

VAROITUS: Käytä huollon yhteydessä vain identtisiä varaosia. Muiden osien käyttö saattaa aiheuttaa vaaran tai laitteen vaurioitumisen. Pätevän huoltoteknikon tulee suorittaa kaikki korjaukset, jotta voidaan taata tuotteen turvallinen ja luotettava käyttö.

VAROITUS: Vakavan henkilövamman välttämiseksi poista akku laitteesta, kun tarkistat laitetta, puhdistat sitä tai suoritat huoltotoimenpiteitä. Akkukäyttöinen laite, jossa on akku paikallaan, on aina päällä ja saattaa käynnistyä vahingossa.

VAROITUS: Kun puhdistat moottorisaha, ÄLÄ upota sitä veteen tai muihin nesteisiin.

VAROITUS: Älä anna jarrunesteiden, bensiinin, ruosteen irrotusaineiden tai muiden öljypohjaisten tuotteiden joutua kosketuksiin muoviosien kanssa. Kemikaalit saattavat vahingoittaa, heikentää tai tuhota muovia, mikä saattaa aiheuttaa vakavan henkilövamman.

PUHDISTAMINEN

- Puhdista irtoaines ketjusta ja terälevystä jokaisen käyttökerran jälkeen pehmeällä harjalla. Pyyhi moottorisahan pinta puhtaalla, mietoon saippuuliukeseen kostutetulla liinalla.
- Poista sivukansi ja käytä pehmeää harjaa poistamaan irtoaines terälevystä, teräketjusta, ketjupyörästä ja sivukannesta.
- Irrota pohjakansi noin 8 käyttötunnin välein ja poista roskat koneen sisältä ja kannesta pehmeällä harjalla (kuva W).
- Puhdista aina puulastut, sahanpuru ja iika terälevyn urasta, kun vaihdat teräketjun.

TERÄLEVYN KUNNOSSAPITO

Kun terälevyssä näkyy kulumisen merkkejä, irrota se moottorisahan akkupäädästä, käännä se ja kiinnitä takaisin (kuva X1). Tällä tavalla sen käyttöikä on mahdollisimman pitkä.

Terälevy tulee puhdistaa jokaisena käyttöpäivänä ja tarkistaa kulumisen ja vahingoittumisen varalta (kuva X2). Terälevyn kiskojen rispaantuminen tai epätasaisuus on tavallista terälevyn kulumista. Nämä viat voidaan korjata viilalla heti niiden ilmestyessä. Terälevy, jossa on jokin seuraavista vioista, pitää vaihtaa.

- Kulumista terälevyn kiskojen sisäpuolella, jonka takia ketju voi olla liikkua sivuttain.

FI

- Vääntynyt terälevy.
- Halkeilleet tai rikkiinäiset kiskot.
- Levinneet kiskot.

Terälevyn kärjessä on kärkipyörä (kuva X3).

Kärkipyörä on voideltava viikoittain rasvaruiskulla, jotta terälevyn käyttöikä pitenee. Käytä rasvaruiskua viikoittain ja voitele ketjuöljyllä voiteluaukon kautta (kuva W4).

Käännä terälevy ja tarkista, että voitelurei'issä ja ketjun urassa ei ole epäpuhtauksia.

X-1	Terälevyn kiskot	X-3	Voiteluaukko
X-2	Terälevyn kärkipyörä		

FI

HUOMAUTUS: Käytä EGO:n hyväksymiä voiteluaineita parhaan tuloksen saavuttamiseksi.

KULJETUS JA VARASTOINTI

Älä varastoi tai kuljeta moottorisahaa, kun se on käynnissä. Irrota aina akkuyksikkö ennen varastointia tai kuljetusta.

Laita aina terälevyn suojus terälevyn ja ketjun päälle ennen kuin varastoi tai kuljetat moottorisahaa. Varo ketjun teräviä hampaita.

Puhdista moottorisaha perusteellisesti ennen varastointia. Säilytä moottorisahaa sisällä kuivassa paikassa, johon lapset eivät pääse.

Pidä poissa syövyttävien aineiden, kuten puutarhakemikaalien ja jäänestosuolojen, läheltä.

YMPÄRISTÖNSUOJELU



Älä hävitä sähkölaitteita, käytettyjä akkuja tai laturia kotitalousjätteen seassa!

Vie tämä tuote hyväksytyyn kierrätyspaikkaan tai anna se erilliseen keräilyyn. Sähkötyökalut tulee palauttaa asianmukaiseen ympäristöystävälliseen kierrätyslaitokseen.

VIANMÄÄRITYS

VAROITUS: Suojaa aina kätesi paksuilla käsineillä silloin, kun teet ylläpitotöitä sahan teräketjulle. Poista aina akku, kun huollat tai kuljetat moottorisahaa.

ONGELMA	SYY	RATKAISU
Moottori ei käy	<ul style="list-style-type: none"> ■ Akkua ei ole liitetty moottorisahaan. ■ Sahan ja akun välillä ei ole sähköyhteyttä. ■ Jos akkutehon ympyrä LCD-näytössä vilkkuu, akku on tyhjä. ■ Jos LCD-näyttöön ilmestyy korkean lämpötilan merkkivalo, akku tai moottorisaha on ylikuumentunut. ■ Jos ketjujarrun kuvake näkyy LCD-näytössä, ketjujarru on käytössä. ■ Terälevyn urassa on irtoainesta. ■ Sivukannessa on irtoainesta. 	<ul style="list-style-type: none"> ■ Liitä akku moottorisahaan. ■ Poista akku, tarkista koskettimet ja asenna akku uudelleen paikalleen. ■ Lataa akku. ■ Jäähdytä akkua tai moottorisahaa, kunnes sen lämpötila on alle 67°C. ■ Vedä ketjun takapotkun jarrukahva takaisin kohti etukahvaa toiminta-asentoon. ■ Paina teräketjua puuta vasten ja liikuta moottorisahaa eteen ja taakse irrottaaksesi irtoaineksen. ■ Poista akku, poista sivukansi ja puhdista irtoaines.
Nopeustilaa ei voi vaihtaa.	<ul style="list-style-type: none"> ■ Ketjun nopeudenvaihdin on juuttunut roskien takia. 	<ul style="list-style-type: none"> ■ Puhdista roskat ketjun nopeudenvaihtimen ympäriltä.
Moottorisaha pysähtyy yllättäen käytön aikana.	<ul style="list-style-type: none"> ■ Moottorisaha on ylikuormittunut. ■ Jos LCD-näyttöön ilmestyy korkean lämpötilan merkkivalo, akku tai moottorisaha on ylikuumentunut. ■ Teräketju on jäänyt puristuksiin puuhun. ■ Jos ketjujarrun kuvake vilkkuu LCD-näytössä, monisuuntainen ketjujarrujärjestelmä on pysäyttänyt sahan. 	<ul style="list-style-type: none"> ■ Vähennä kuormitusta. ■ Jäähdytä akkua tai moottorisahaa, kunnes sen lämpötila on alle 67°C. ■ Irrota ote liipaisinkytkimestä; poista teräketju ja ohjausterälevy puusta ja käynnistä moottorisaha uudelleen. ■ Irrota ote liipaisinkytkimestä; poista teräketju ja ohjausterälevy puusta ja käynnistä moottorisaha uudelleen.
Moottori käy, mutta ketju ei pyöri.	<ul style="list-style-type: none"> ■ Ketju ei kiinnity vetopyörään. 	<ul style="list-style-type: none"> ■ Asenna ketju uudelleen ja varmista, että ketjun vetolenkit ovat kunnolla vetopyörässä.
Ketjun jarru ei toimi.	<ul style="list-style-type: none"> ■ Irtoaines estää ketjun takapotkun jarrukahvan vapaan liikkeen. ■ Mahdollinen ketjujarrun vikatila. 	<ul style="list-style-type: none"> ■ Puhdista lika ulkoisesta ketjun jarrumeکانismista. ■ Ota yhteyttä EGO:n asiakaspalveluun korjausta varten.

ONGELMA	SYY	RATKAISU
Moottorisaha ei sahaa kunnolla.	<ul style="list-style-type: none"> ■ Riittämätön ketjun kiristys. ■ Tylsä ketju. ■ Ketju asennettu väärin päin. ■ Kulunut ketju. ■ Kuiva tai liian kireä ketju. ■ Ketju ei ole terälevyn urassa. 	<ul style="list-style-type: none"> ■ Säädä ketjun kireyttä, kuten osiossa: "KETJUN KIREYDEN SÄÄTÖ". ■ Teroita ketju. ■ Asenna teräketju uudelleen osion "TERÄLEVYN JA KETJUN KOKOAMINEN/VAHTAMINEN" mukaisesti. ■ Vaihda ketju, kuten osiossa: "TERÄLEVYN JA KETJUN KOKOAMINEN/VAHTAMINEN". ■ Tarkista öljytilanne. Täytä öljysäiliö uudelleen ja valitse tarvittaessa suurempi öljynsyöttömäärä. ■ Asenna teräketju uudelleen, kuten osiossa: "TERÄLEVYN JA KETJUN KOKOAMINEN/VAHTAMINEN".
Ketju löystyy tai putoaa terälevyiltä normaalin käytön aikana.	<ul style="list-style-type: none"> ■ Ketjun löystyminen, koska ketjun lämpötila nousee normaalin sahausajan aikana. ■ Ketju ei kiinnity vetopyörään. 	<ul style="list-style-type: none"> ■ Säädä ketjun kireyttä, kuten osiossa "KETJUN KIREYDEN SÄÄTÄMINEN". ■ Asenna teräketju uudelleen, kuten osiossa: "TERÄLEVYN JA KETJUN KOKOAMINEN/VAHTAMINEN".
Terälevy ja ketju ovat kuumia ja savuavia	<ul style="list-style-type: none"> ■ Jos LCD-näyttöön ilmestyy alhaisen öljymäärän merkkivalo, ketjuöljysäiliö on tyhjä. ■ Irtoainesta terälevyn urassa. 	<ul style="list-style-type: none"> ■ Tarkista öljytilanne. Lisää öljysäiliöön tarvittaessa öljyä. ■ Puhdista irtoaines urasta.
LCD-näytössä näkyy alhaisen öljytason merkkivalo vaikka öljysäiliössä on riittävästi öljyä. Tai vaikka öljysäiliössä olisi vähän öljyä, LCD-näytössä ei näy alhaisen öljytason merkkivaloa.	<ul style="list-style-type: none"> ■ Öljytason ilmaisinkomponentti ei ole vielä tunnistanut todellista öljytasoa öljyputkessa olevan jäännösöljyn tai ilman vuoksi. ■ Öljytason tunnistuskomponentin vika. 	<ul style="list-style-type: none"> ■ Odota muutaman minuutin, kunnes jäännösöljy tai ilma poistuvat öljyputkesta.

TAKUU

EGON TAKUUEHDOT

Verkkosivustolta egopowerplus.eu löydät EGO:n takuukäytännön täydelliset ehdot.

LES ALLE INSTRUKSJONER!



LES BRUKERHÅNDBOKEN

⚠ ADVARSEL: For å sikre sikkerhet og pålitelighet bør alle reparasjoner utføres av en kvalifisert servicetekniker.

⚠ ADVARSEL: Sørg for å lese og forstå alle sikkerhetsinstruksjonene i denne brukerhåndboken, inkludert alle sikkerhetsvarselsymboler som "FARE", "ADVARSEL" og "FORSIKTIG" før du bruker dette verktøyet. Hvis du ikke følger alle instruksjonene nedenfor, kan det føre til elektrisk støt, brann og/eller alvorlig personskade.



Sikkerhetsvarsel



Bruk vernebriller



Bruk hodevern



Vær forsiktig med tilbakeslag av motorsagen og unngå kontakt med stangspissen



Informasjonen i guide bar



Garantert lydeffektnivå. Støy i omgivelsene er i henhold til EUs direktiv.



Dette produktet er i samsvar med gjeldende EF-direktiver.



Bluetooth®

mm Millimeter

V Spenning

IPX5 Beskyttelse mot vannstråler

LAGRE ALLE ADVARSLER OG INSTRUKSJONER FOR FREMTIDIG REFERANSE.

SIKKERHETSSYMBOLER

⚠ ADVARSEL: Bruk av hvilke som helst elektroverktøy kan føre til at fremmedlegemer blir kastet mot øynene, noe som kan gi alvorlige øyeskader. Før du begynner å bruke elektroverktøyet, skal du alltid ta på vernebriller eller vernebriller med sidebeskyttelse, og en full ansiktsskjerm der det trengs. Vi anbefaler en Wide Vision Safety Mask til bruk over briller, eller standard vernebriller med sidebeskyttelse.



For at risikoen for personskader skal unngås må brukeren lese og forstå bruksanvisningen før produktet tas i bruk.



Bruk hørselvern



Bruk vernehansker



Tilbakeslag fra styrestangen



Bruk alltid motorsag med to hender



Elektriske produkter skal ikke kastes sammen med husholdningsavfallet. Ta med til en autorisert resirkulator.



Dette produktet er i samsvar med gjeldende britisk lovgivning.



Likestrøm

n_0 Hastighet uten last

./min Per minutt

NO

MERK: Bluetooth® -ordmerket og -logoer er registrerte varemerker som eies av Bluetooth SIG, inc. og all bruk av slike merker av EGO er under lisens.

SPESIFIKASJONER

Merkespenning	56V	
Maks. Kjedehastighet	30 m/s	
Kjedevinkel	8.255 mm / 0.325"	
Kjedestørrelse	1.3 mm	
Styrestanglengde	50 cm	
Sagkjedemodell	AC2035 (anbefales)	
	AC1635, AC1835 (Kompatibel)	
Modell av sagkjede og styreskinne	AK2035 (anbefales)	
	AK1635, AK1835 (Kompatibel)	
Kapasiteten til kjedeoljetanken	250 ml	
Vekt (uten batteripakke, sagkjede, styreskinnen, sidedeksel, olje og kjedekappe)	4.3 kg	
Anbefalt driftstemperatur	-15°C-40°C	
Anbefalt lagringstemperatur	-20°C-70°C	
Anbefalt ladetemperatur	5°C-40°C	
Målt lydeffektnivå L_{WA}	102 dB(A) K=2.3 dB(A)	
Lydtrykknivå ved arbeidsstilling L_{PA}	92 dB(A) K=3 dB(A)	
Garantert lydeffektnivå L_{WA} (i henhold til 2000/14/EC)	104 dB(A)	
Vibrasjon a_h	Fremre håndtak	3.3 m/s ² K=1.5 m/s ²
	Bakre håndtak	1.74 m/s ² K=1.5 m/s ²

- Den deklarererte totale vibrasjonsverdien er målt i samsvar med en standard testmetode og kan brukes til å sammenligne ett verktøy med et annet;
- Den deklarererte totale vibrasjonsverdien kan også brukes i en foreløpig vurdering av eksponering.

MERKNAD: Vibrasjonsutslippet under faktisk bruk av elektroverktøyet kan avvike fra den deklarererte verdien som verktøyet brukes i; For å beskytte brukeren, bør brukeren bruke hansker og hørselsvern under de faktiske bruksforholdene.

PAKKELISTE (FIG. A1)

BESKRIVELSE

KJENN MOTORSAGEN DIN (Fig. A1)

- Sagkjede
- Kjedets bremsehåndtak for tilbakeslag
- Fremre håndtak
- LCD skjerm
- Hastighetsnivå
- Bluetooth-ikon
- Frontlys-ikon
- Bremseikon
- Indikator for høy temperatur
- Drivstoffmålersirkel
- Last gjeldende nivå
- Indikator for lavt oljenivå
3. Hovedlys/Bluetooth-knapp
- Oljematingsknapp
- Oljeutgangsnivå
- Låseknapp
- Utløserbryter
- Bakre håndtak
- Kjedehastighetsskifter
- Batteriutløserknapp
- Inspeksjonsvindu for oljenivå
- Oljetankklokk
- Styrestang
- Smørehull
- Mutter for kjedestramming
- Sidedeksel
- Låsemuttere
- Støttepigger
- LED-frontlys
- Kjedeslire
- Multinøkkel

MONTERING

MONTERING/BYTT AV STANG OG KJEDE

⚠ ADVARSEL: Juster kjedestøtbremsehåndtaket i bremsestilling før montering.

- Plasser motorsagens motorhode på siden med sidedeksel vendt oppover (fig. B).
- Fjern sidedekselet ved å vri de to låsemutterne mot klokken.
- Vri kjedespenningsbolten mot klokken for å løsne kjedespenningen.
- Legg sagkjedet i en løkke på en flat overflate og rett opp eventuelle knekk (fig. C).

5. Plasser kjettingdrevlenkene i svingesporet og gjør kjedet til en sløyfe bak på sverdet (fig. D).
6. Hold kjedet på plass på styrestangen og plasser løkken rundt tannhullet til saken (fig. E1).

B-1	Låsemuttere	D-2	Styrestang Groove
B-2	Mutter for kjedestramming	E-1	Drivhjul
D-1	Kjededriftskoblinger		

LEGG MERKE TIL: Når du lukker sagkjedet på sverdet, sørg for at etter montering av sverdet på saken, samsvarer kutterretningen med kutterikonet og rotasjonsretningspilen på huset. Hvis de vender i motsatte retninger, sett sammen sagkjedet på sverdet med knivene vendt i samme retning (fig. E2).

7. Sett sidedekselet på motorsaghuset og stram begge låsemutrene helt.
8. Roter kjedet for hånd for å sjekke om kjedet er riktig montert uten binding. Ellers sett sammen kjedet og sverdet.

LEGG MERKE TIL: For å utvide sverdets levetid bør du innimellom snu det.

JUSTERE STRAMHETEN PÅ KJEDET

- Stopp motoren og ta ut batteripakken før du justerer kjedestrammingen. Vri kjedespenningsbolten med eller mot klokken for å justere kjedespenningen (fig. F) til kjedet sitter tett inntil styrestangen med drivlenkene i sporet på styrestangen.
- Et kaldt kjede er korrekt strammet når det ikke henger ned på undersiden av sverdet, og kjedet er tettsittende, men det kan beveges for hånd uten oppbinding. Kjedet må etterstrammes når de flate delene av drevlenkene ikke sitter i sverdsporet.
- Under normal sagdrift vil temperaturen kjedet øke. Drivlenkene til en riktig strammet varm kjede vil henge ca. 1,3 mm ut av stangsporet (fig. G).

LEGG MERKE TIL: Nye kjeder pleier å strekke seg, så sjekk kjedestrammingen ofte og etterstram etter behov.

MERK: Et kjede som strammes mens det er varmt, kan bli for stramt når det er kaldt. Sjekk kaldspenningen før neste bruk.

OPERASJON

⚠ ADVARSEL: Ikke la kjennskap til dette produktet gjøre deg uforsiktig. Husk at en uforsiktig brøkdell av et sekund er tilstrekkelig til å påføre alvorlig skade.

⚠ ADVARSEL: Ikke bruk tilbehør eller tilbehør som ikke er anbefalt av produsenten av dette produktet. Bruk av tilbehør eller deler som ikke anbefales, kan medføre alvorlige personskader.

⚠ ADVARSEL: For å hindre utilsiktet start som kan føre til alvorlig personskade, skal batteripakken alltid tas ut av verktøyet når du monterer deler, gjør justeringer, utfører rengjøring, eller når verktøyet ikke er i bruk.

Før hver bruk skal hele produktet for inspiseres for skader, mangler eller løse deler, for eksempel skruer, muttere, bolter, heter, osv. Trekk til alle festene og hettene godt, og ikke bruk dette produktet for alle manglende eller skadede deler har blitt byttet.

BRUKSOMRÅDER

Du kan bruke dette produktet til grunnleggende felling, kvisting, beskjæring og hogst av trelast og trær.

MERK: Maskinen skal kun brukes til foreskrevne formål. Enhver annen bruk anses å være et tilfelle av misbruk.

PÅFYLLING AV SVERD- OG KJEDEOLJE

⚠ ADVARSEL: Ikke røyk eller ta med ild eller flammer i nærheten av olje eller motorsagen. Olje kan søle og forårsake brann.

MERK: Motorsagen er ikke fylt med olje på kjøpstidspunktet. Det er svært viktig å fylle tanken med olje før bruk. Kjedet smøres automatisk med kjedeolje når saken er i gang.

1. Plasser motorsagen på siden med tankhettten vendt oppover.
2. Rengjør oljetankhettten og området rundt for å sikre at det ikke kommer smuss inn i oljetanken.
3. Løft opp den halvsirkelformede platen og drei oljetankhettten mot klokken for å fjerne den (fig. H).
4. Hell forsiktig stangen og kjedeoljen i tanken. Fyll til bunnen av påfyllingshalsen.
5. Tørk av overflødig olje og sett på lokket igjen.

MERK: Sjekk oljenivået ofte og fyll når oljenivået faller under minimumslinjen. Bruk aldri motorsagen hvis oljen ikke er synlig.

NO

FESTE/FRA BATTERIPAKKEN

MERK: Drivstoffmålersirkelen på LCD-skjermen indikerer batteriladenivået (fig. A1). Sirkelen vil blinke når batteriladingen nærmer seg utladet. Lad batteripakken helt opp før første gangs bruk.

Bruk kun med EGOs batteripakker og ladere oppført i Fig. A2.

Lad helt opp før første gangs bruk.

Å feste

Juster batteririllene i forhold til monteringssporene, og trykk batteripakken ned til du hører et klikk (fig. I).

Å løse

Trykk inn batteriutløserknappen og trekk batteripakken ut (fig. J).

NO

START/STOPP AV MOTORSAGEN

MERK: Før du starter motorsagen, sjekkes oljenivået, deretter tenneses skarphet og fungerende bremsehåndtak for tilbakeslag. Dessuten er balanserte fotfeste og riktig avstand fra bakken helt nødvendig.

For å starte (fig. K)

1. Trekk kjedets bremsehåndtak for tilbakeslag mot fremre håndtak i driftsposisjon (fig. K).
2. Ta godt tak i det fremre håndtaket med venstre hånd og det bakre håndtaket med høyre hånd.

⚠ ADVARSEL: For å unngå skade, bruk alltid motorsagen med høyre hånd og ta tak i gripeområdet på det bakre håndtaket (fig. L).

3. Trykk og hold inne låseknappen med tommelen på høyre hånd, og trykk deretter på utløserbryteren med fingrene på høyre hånd for å starte saken (fig. L).

L-1	Gripeområde
-----	-------------

4. Slipp låseknappen og fortsett å trykke på utløserbryteren for fortsatt drift.
5. Jo lenger utløserbryteren trykkes inn, jo høyere kjedehastighet. Juster hastigheten for å passe oppgaven.

⚠ ADVARSEL: Ikke forsøk å starte saken når sagkjedet er i et kutt.

Å stoppe

1. Flytt kjedesagen vekk fra skjæreområdet, og slipp

deretter utløserbryteren for å stoppe kjedesagen.

2. Skyv bremsehåndtaket for kjedetilbakeslag fremover til bremseposisjonen for å koble inn kjedebremsen (fig. K).

⚠ ADVARSEL: Ta alltid ut batteripakken fra maskinen under arbeidspauser og etter endt arbeid.

ENDRE HASTIGHETSMODUS (FIG. M)

Denne maskinen har tre hastighetsmoduser. Hver hastighetsmodus begrenser den maksimale hastigheten til motorsagen. Hastighetsmodusen endres for hvert trykk på kjedehastighetsskifteren.

Hastighetsnivået på LCD-skjermen vil vise den aktive hastighetsmodusen: én strek for lav hastighet, to streker for middels hastighet og tre streker for høy hastighet. Lavhastighetsmodusen (ECO) gir bedre kontroll over maskinen og lengre driftstid per lading.

M-1	Hastighetsnivå	M-7	Last gjeldende nivå
M-2	Bluetooth-ikon	M-8	Hovedlys/ Bluetooth-knapp
M-3	Frontlys-ikon	M-9	Oljematingsknapp
M-4	Bremseikon	M-10	Kjedehastighe- tsskifter
M-5	Indikator for høy temperatur	M-11	Oljeutgangsnivå
M-6	Drivstoffmå- lersirkel	M-12	Indikator for lavt oljenivå

MERK: Når du bruker EGO-batteripakke vurdert til 4,0 Ah eller mindre, er kun ECO-modus tilgjengelig. Og bruk av EGO-batteripakke vurdert til mindre enn 6,0 Ah vil ikke tillate deg å oppnå høy hastighet. For best ytelse anbefaler vi på det sterkeste bruk av EGO-batteripakker som er 6,0 Ah (f.eks. BA3360T) eller mer.

MERK: Motorsagen har minnefunksjon for kjedehastighet. Neste gang motorsagen slås på, vil den tidligere brukte hastighetsmodusen aktiveres.

MERK: LCD-skjermen lyser når avtrekkeren trykkes inn eller når oljematingsknappen eller frontlyset/Bluetooth-knappen trykkes inn. Som standard slår LCD-skjermen seg automatisk av etter ca. 1 sekund med inaktivitet.

MERK: LCD-skjermen slås ikke på ved å trykke på kjedehastighetsskifteren.

LASTNIVÅ (fig. M)

Belastningsnivået på høyre side av LCD-skjermen viser gjeldende belastning på maskinen. Jo høyere antall stolper indikerer høyere belastning og lavere antall barer indikerer lavere belastning.

Denne funksjonen er først og fremst beregnet på erfarne brukere av gassdrevet motorsag som kanskje ikke har «følelsen» av hvordan den batteridrevne sagen oppfører seg under ulik belastning. Det hjelper brukere med å overvåke arbeidsbelastningen for å unngå langvarig drift under tung belastning, noe som kan få motorsagen til å stoppe under drift på grunn av å bli for varm.

HØY TEMPERATURINDIKATOR (Fig. M)

Høytemperaturindikatoren lyser når maskinens temperatur overstiger 90°C (194°F) eller batteritemperaturen overstiger 70°C (158°F) under drift. Temperaturbeskyttelseskreten vil umiddelbart slå av maskinen for å forhindre overopphetingskader. Slipp avtrekkeren og vent til den overopphetede maskinen eller batteriet er avkjølt og høytemperaturindikatoren slår seg av, og start deretter maskinen på nytt.

BREMSEIKON (Fig. M)

Bremseikonet vises på LCD-skjermen når bremsesvingen er i bremseposisjon.

Bremseikonet vil blinke når det rundstrålende kjedebremssystemet stopper sagen. Se neste kapittel for detaljert informasjon.

OMNI-RETNINGS KJEDEBREMSSYSTEM (Fig. N1 og Fig. N2)

Det rundstrålende kjedebremssystemet er ikke ment å fungere som en erstatning for standard/tradisjonell kjedebrem. Brukeren bør aldri stole på denne funksjonen under drift av motorsagen for å beskytte mot tilbakeslag. Følg alltid sikkerhetsinstruksjonene knyttet til tilbakeslagsreduksjon som finnes i advarselsdelen i denne håndboken.

Når det rundstrålende kjedebremssystemet er aktivert og stopper sagen, vil bremseikonet blinke på LCD-skjermen (fig. M). Slipp utløserbryteren, fjern sagkjedet og sverdet fra veden, og start så motorsagen på nytt.

MERK: Sensorene vil kun registrere plutselige bevegelser av sagen i sverdetets plan (fig. N1). Sensorene vil ikke registrere noen brå bevegelse av sagen sidelengs (fig. N2) (dvs. vinkelrett på sverdetets plan).

OLJENIVÅ OG LAV OLJEINDIKATOR (Fig. M)

Maskinen smører automatisk kjedet. Denne motorsagen

lar deg endre oljeutgangshastigheten med hvert trykk på oljematingsknappen.

MERK: Oljeeffekten kan bare endres når sagkjedet ikke går.

Oljeutgangsnivået på LCD-skjermen vil vise oljeutgangshastigheten. En søyle for lav utgangshastighet, to søyler for middels utgangshastighet og tre stolper for høy utgangshastighet.

Velg en høyere utgangshastighet for raskere kjedehastighet. Hvis sagkjedet blir tørt under arbeid, stopp motoren og velg en høyere oljeeffekt.

Når oljenivået er lavt, vil indikatoren for lav olje over oljeutgangslinjene vises på LCD-skjermen, og kun lav utgangshastighet vil være tilgjengelig. Stopp motorsagen og fyll på oljetanken i henhold til kapitlet FYLING AV OLJETANK MED SMØREMIDDEL FOR BAR OG KJEDE.

Etter å ha fylt oljetanken, kjør motorsagen i ca. 10 sekunder for å la det automatiske smøresystemet begynne å fungere og indikatoren vil forsvinne fra LCD-skjermen.

MERK: Hvis indikatoren fortsatt er på LCD-skjermen etter å ha utført trinnene ovenfor, kan systemet være skadet. Slutt å bruke motorsagen og kontakt et EGO-autorisert servicesenter for reparasjon.

LED-FRONTLYS (fig. O)

LED-frontlyset er plassert foran på motorsaghuset. Frontlyset gir belysning for økt synlighet og har 2 lysstyrkenivåer.

For å slå på frontlyset, trykk på frontlyset/Bluetooth-knappen (fig. M) en gang. Frontlyset slås på i lavt lysstyrkenivå, og frontlyseikonet med lav lysstyrke vises på LCD-skjermen. Trykk på frontlys/Bluetooth-knappen igjen for å bytte til høyt lysstyrkenivå, og frontlyseikonet med høy lysstyrke vises på LCD-skjermen.

For å slå av frontlyset, trykk på frontlyset/Bluetooth-knappen tredje gang, og frontlyseikonet forsvinner fra LCD-skjermen.

0-1	Ikon for frontlys med lav lysstyrke	0-3	LED-frontlys
0-2	Frontlyseikon med høy lysstyrke		

KOMMUNIKASJONSTEKNOLOGI

For informasjon om hele utvalget vårt av tilkoblede produkter og tjenester, inkludert tilkoblingsinstruksjoner, kan du skanne QR-koden nedenfor eller besøke www.egopowerplus.eu/connect.

NO



RIKTIG GREP PÅ HÅNDTAK (FIG. P1)

- Bruk sklisikre hansker så du får best mulig grep og beskyttelse.
- Sett saken på et fast, flatt underlag, og hold saken fast med begge hender.
- Ta alltid tak i det fremre håndtaket med venstre hånd og det bakre håndtaket med høyre hånd.
- Fingrene skal omslutte håndtaket, med tommeleddet innpakket under det fremre håndtaket.

NO

⚠ ADVARSEL: Bruk aldri et venstrehendt (krysshåndts) grep eller noe holdning som vil plassere kroppen eller armen din over kjedelinjen.

⚠ ADVARSEL: Ikke bruk avtrekkeren med venstre hånd og hold det fremre håndtaket med høyre hånd. La aldri noen del av kroppen din være i kjedelinjen mens du bruker en motorsag (fig. P2).

RIKTIG SKJÆRESTILLING (FIG. Q)

- Begge føttene skal være på fast grunn, med vekten jevnt fordelt mellom dem.
- Den venstre armen skal være rett, med albuen låst. Dette hjelper til med å motstå kreftene som genereres av tilbakeslag.
- Kroppen din skal alltid være til venstre for kjedelinjen.

ANVISNINGER OM RIKTIGE TEKNIKKER FOR GRUNNLEGGENDE FELLING, KVISTING, OG KAPPING

⚠ ADVARSEL: Alltid være sikker på fotfestet ditt, og hold motorsagen fast med begge hender mens motoren er i gang.

⚠ ADVARSEL: Når sagkjedet er stoppet på grunn av klemming under skjæring, slippes bryteren; fjern sagkjedet og sverdet fra treet, og start deretter motorsagen.

⚠ ADVARSEL: Ikke trekk sagkjedet med hånden når den er bundet opp av sagmugg. Alvorlig personskade kan oppstå hvis motorsagen starter ved et uhell. Trykk sagkjedet mot treet og flytt motorsagen frem og tilbake for løse rusket. Ta alltid ut batteripakken før rengjøring.

Bruk tykke hansker når du håndterer sagkjedet.

⚠ ADVARSEL: Start aldri motorsagen når den er i kontakt med treverk. La alltid motorsagen nå full hastighet før du setter saken mot treet.

FELLING AV TRÆR

- I kapping og hogst utført av to eller flere personer samtidig, skal fellingsoperasjonene skilles fra kappingen med en avstand på minst to ganger høyden av treet som felles. Trær skal ikke felles på en måte som kan være farlig for personer, som kan treffe strømledninger eller forårsake skader på eiendom. Hvis treet kontakter en ledning, bør forsyningselskapet varsles umiddelbart.
- Motorsagsbrukeren skal stå på øvre side i terrenget, ettersom treet sannsynligvis rulle eller sklir nedoverbakke etter at det er felt.
- En fluktrute skal planlegges og ryddes som nødvendig før sagingen startes. Rømningsveien skal strekke seg tilbake og diagonalt til baksiden av den forventede falllinjen som vist på figur R.

R-1	Fellingsretning
R-2	Trygg rømningsvei

- Før trefellingens start må du vurdere den naturlige retningen som treet lener seg, plasseringen av større grener og vindretningen for å bedømme hvilken vei treet kommer til å falle.
- Fjern skitt, steiner, løs bark, spikre, stifter og ledninger fra treet

Styreskår

Gjør hakket 1/3 av diameteren på treet, vinkelrett på fallretningen som vist på figur S. Lag det nedre, horisontale hakket først. Det bidrar til å unngå å klemme enten sagkjedet eller sverdet når det andre hakket sages.

S-1	Fellerretning	S-3	Hovedskår
S-2	Innsnitt	S-4	Hengsel

Hovedskår

- Gjør fellingskjæret minst 50 mm høyere enn det horisontale hakkeskåret som vist på figur S. Hold hovedskåret parallelt med den horisontale delen av styreskåret. Sag ut hovedskåret slik at det er nok treverk igjen til å danne et hengsel. Hengseltreet gjør at treet ikke vrir seg og faller i feil retning. Ikke kutt

gjennom hengselen.

- Etter hvert som fellingen kommer i nærheten av hengslet, bør treet begynne å falle. Hvis det er noen sjanse for at treet kan komme til å falle i feil retning eller at det kan vippe tilbake og klemme fast sagkjedet skal sagingen avsluttes før hovedskåret er fullført, og kiler av tre, plast eller aluminium skal brukes for å åpne skåret og felle treet langs den ønskede linjen.
- Når treet begynner å falle skal motorsagen fjernes fra kuttet, motoren stoppes, motorsagen settes ned, og deretter brukes fluktruten som planlagt. Vær på vakt for overhengende grener som kan falle, og pass på fotfestet.

Kvisting av trær

Kvisting er å fjerne grenene fra et tre som har blitt felt. Under kvisting skal større nedre grener være igjen, for å støtte stammen opp fra bakken. Fjern de små lemmer i ett kutt som vist på figur T. Grener som står i spenn skal kappes fra bunnen og opp, for å unngå å oppbinding av motorsagen.

Kappe en stokk

Kapping er å kutte en stamme i lengder. Det er viktig å sørge for godt fotfeste, og at vekten er jevnt fordelt på begge føttene. Hvis mulig skal stammen heves og støttes med grener, stammer eller klosser. Følg de enkle instruksjonene for enkel saging.

Når stokken støttes i hele sin lengde som vist på fig. U1, blir den kuttet fra toppen (overbukk).

Når stokken er støttet i den ene enden, som vist i fig. U2, kuttet 1/3 diameteren fra undersiden (underbukk). Deretter gjøres det endelige kuttet med oversaging, til det første kuttet møtes.

Når stokken er støttet i begge ender, som vist på fig. U3, kuttet 1/3 diameteren fra toppen (overbukk). Deretter gjøres det endelige kuttet med undersaging av de nedre 2/3, til det første kuttet møtes.

Når du henger i en skråning, skal du alltid stå på oppoverbakke av stokken, som vist i fig. V.

Når man «skjærer gjennom», slippes sagetrykket opp nær enden av kuttet for å beholde kontrollen, uten at man løsner grepet på håndtakene til motorsagen. Ikke la kjedet komme i kontakt med bakken. Etter endt saging må du vente på at sagkjedet stopper før du flytter på motorsagen. Stopp alltid motoren før du går fra tre til tre.

VEDLIKEHOLD

⚠ ADVARSEL: Bruk bare identiske reservedeler ved service. Bruk av andre deler kan skape fare eller

forårsake produktskade. For å sikre sikkerhet og pålitelighet bør alle reparasjoner utføres av en kvalifisert servicetekniker.

⚠ ADVARSEL: For å unngå alvorlig personskade må du alltid fjerne batteriet fra produktet før du inspiserer, rengjør eller utfører vedlikehold. Et batteridrevet verktøy med batteripakken innsatt er alltid på, og kan starte ved et uhell.

⚠ ADVARSEL: Ved rengjøring av motorsagen skal den IKKE dypes i vann eller andre væsker.

⚠ ADVARSEL: Ikke på noe tidspunkt skal bremsevæske, bensin, petroleum-baserte produkter, penetrerende oljer, osv. komme i kontakt med plastdeler. Kjemikalier kan skade, svekke eller ødelegge plastmaterialer, noe som kan føre til alvorlig personskade.

RENGJØRING

- Etter hver bruk fjernes rusk fra kjedet og sverdet med en myk børste. Tørk av motorsagens overflater med en ren klut, fuktet med mildt såpevann.
- Ta av sidedekselet, og bruk deretter en myk børste for å fjerne rusk fra sverdet, sagkjedet, drivhjul og sidedeksel.
- Fjern bunndekselet omtrent hver 8. driftstime, og bruk deretter en myk børste for å fjerne rusk inne i maskinen og på dekselet (fig. W).
- Rens alltid ut treflis, sagstøv og skitt fra sverdsporet når du skifter sagkjede.

VEDLIKEHOLD AV STYREBAR

Når sverdet viser tegn på slitasje, demonterer du det fra motorsaghodet og snur det for montering igjen (fig. X1). På denne måten vil slitasjen fordeles for å maksimere sverdetets levetid.

Stangen bør rengjøres hver dag ved bruk og kontrolleres for slitasje og skader (fig. X2). Uttoning eller gradering på sverdskindene er en normal slitasjeprosess på stangen. Slike feil skal jevnes med en fil så snart de oppstår. En stang med noen av følgende feil skal byttes ut.

- Slitasje inne i stangskinnene, som gjør at kjedet legger seg over sidelengs.
- Bøyd stang.
- Sprukne eller ødelagte skinner.
- Spre sporene.

I tillegg har sverdet et tannhjul på spissen (fig. X3).

Tannhullet må smøres ukentlig med en fettsprøyte for å forlenge sverdetets levetid. Bruk en fettsprøyte til å smøre

NO

ukentlig med kjedeolje ved hjelp av smørehullet (fig. W4). Snu guidebaren og kontroller at smørehullene og kjedesporet er fri for urenheter.

X-1	Barskinner	X-3	Smørehull
X-2	Drivhjul i sverdspissen		

MERK: Bruk EGO- autoriserte smøremidler for best resultat.

TRANSPORT OG LAGRING

Ikke oppbevar eller transporter motorsagen når den er i gang. Ta alltid ut batteriet før du lagrer eller transporterer den.

Plasser alltid sverdskjeden over sverdet og kjedet før du lagrer eller transporterer motorsagen. Vær nøye med å unngå de skarpe tennene på kjedet.

Rengjør motorsagen grundig før oppbevaring. Oppbevar motorsagen innendørs, på et tørt sted som er låst, og/eller utilgjengelig for barn.

Holdes vekk fra etsende midler, for eksempel hagekjemikalier og avisingsalter.

NO

BESKYTTE MILJØET



Elektrisk utstyr, brukte batterier og batteriladere må ikke kastes i husholdningsavfallet!

Ta med dette produktet til autorisert gjenvinning, og gjør det tilgjengelig for separat innsamling. Elektriske verktøy må returneres til et miljøvennlig gjenvinningsanlegg.

FEILSØKING

⚠ ADVARSEL: Beskytt alltid hendene med seg tunge hansker når du utfører vedlikehold på sagkjedet. Ta alltid ut batteripakken ved service på eller transport av motorsagen.

PROBLEM	ÅRSAK	LØSNING
Motoren starter ikke.	<ul style="list-style-type: none"> ■ Batteripakken er ikke festet til motorsagen. ■ Ingen elektrisk kontakt mellom sagen og batteripakken. ■ Hvis drivstoffmålersirkelen på LCD-skjermen blinker, er batteripakken utladet. ■ Hvis høytemperaturindikatoren vises på LCD-skjermen, er batteripakken eller motorsagen for varm. ■ Hvis kjedebremsikonet vises på LCD-skjermen, er kjedebremsen aktivert. ■ Avfall i stangsporet. ■ Avfall i sidedekselet. 	<ul style="list-style-type: none"> ■ Fest batteripakken til motorsagen. ■ Ta ut batteripakken, sjekk kontaktene og sett inn batteripakken på nytt. ■ Lad batteripakken. ■ La batteripakken eller sagen kjøle seg ned til temperaturen synker under 67°C. ■ Trekk i kjedets bremsehåndtak for tilbakeslag mot fremre håndtak i driftsposisjonen, slik at du er i driftsposisjonen. ■ Trykk sagkjedet mot treet og flytt motorsagen frem og tilbake for løсне rusket. ■ Fjern batteripakken og sidedekselet, og rens ut rusk.
Hastighetsmodus kan ikke endres.	<ul style="list-style-type: none"> ■ Kjedefastighetsskifteren sitter fast av rusk. 	<ul style="list-style-type: none"> ■ Rens ut rusk rundt kjedefastighetsskifteren.
Kjedesag slutter uventet å gå under drift.	<ul style="list-style-type: none"> ■ Motorsagen er overbelastet. ■ Hvis høytemperaturindikatoren vises på LCD-skjermen, er batteripakken eller motorsagen for varm. ■ Sagkjede er bundet i treverket. ■ Hvis kjedebremsikonet blinker på LCD-skjermen, stoppes sagen av det rundstrålede kjedebremsesystemet. 	<ul style="list-style-type: none"> ■ Reduser belastningen. ■ La batteripakken eller sagen kjøle seg ned til temperaturen synker under 67°C. ■ Slipp bryteren; fjern sagkjedet og sverdet fra treet, og start deretter motorsagen igjen. ■ Slipp bryteren; fjern sagkjedet og sverdet fra treet, og start deretter motorsagen igjen.
Motoren går, men kjedet går ikke rundt.	<ul style="list-style-type: none"> ■ Kjedet tar ikke tak i drivhjulet. 	<ul style="list-style-type: none"> ■ Sett kjedet på igjen, og forsikre deg om at kjedene på kjedet sitter helt på tannhjulet.

NO

PROBLEM	ÅRSAK	LØSNING
Kjedebremsen går ikke i inngrep.	<ul style="list-style-type: none"> ▪ Rusk hindrer full bevegelighet av kjedets bremsehåndtak for tilbakeslag. ▪ Mulig feil i kjedebremsen. 	<ul style="list-style-type: none"> ▪ Rengjør rusk fra den eksterne kjedebremsemekanismen. ▪ Kontakt EGOs kundeservice for å få hjelp.
Motorsagen sager ikke ordentlig.	<ul style="list-style-type: none"> ▪ Utilstrekkelig kjedestrømming. ▪ Sløvt kjede. ▪ Kjedet er installert baklengs. ▪ Slitt kjede. ▪ Tørt eller overstrukket kjede. ▪ Kjedet er ikke i sverdsporet. 	<ul style="list-style-type: none"> ▪ Juster kjedestrømmingen, per avsnittet: "JUSTERE KJEDESPENNINGEN". ▪ Slip kjedet. ▪ Installer kjedet på nytt, slå opp på "MONTERING/BYTT AV STANG OG KJEDE". ▪ Bytt kjedet ved å følge avsnittet: "MONTERING / UTSKIFTING AV STANGEN OG KJEDE". ▪ Sjekk oljenivået. Fyll på oljetanken og velg et høyere oljetilførselsvolum om nødvendig. ▪ Installerer sagkjedet, per seksjon: "MONTERING / UTSKIFTING AV STANGEN OG KJEDE".
Kjettingen løsner eller faller av styret under normal bruk.	<ul style="list-style-type: none"> ▪ Kjedet vil løsne når temperaturen på kjedet øker under normal sagdrift. ▪ Kjedet tar ikke tak i drivhjulet. 	<ul style="list-style-type: none"> ▪ Stram kjedespenningen, etter avsnittet "JUSTERE KJETESPENNINGEN". ▪ Installerer sagkjedet, per seksjon: "MONTERING / UTSKIFTING AV STANGEN OG KJEDE".
Stang og kjede blir varmt og ryker.	<ul style="list-style-type: none"> ▪ Hvis indikatoren for lavt oljenivå vises på LCD-skjermen, er kjedeoljetanken tom. ▪ Rusk i føringsstangsporet. 	<ul style="list-style-type: none"> ▪ Sjekk oljenivået. Etterfyll oljetanken om nødvendig. ▪ Fjern rusken fra sporet.
Lav oljeindikator vises på LCD-skjermen selv om det er nok olje i oljetanken. Eller selv om oljetanken mangler olje, viser ikke LCD-skjermen indikatoren for lavt oljenivå.	<ul style="list-style-type: none"> ▪ Oljenivådeteksjonskomponenten har ennå ikke registrert det sanne oljenivået på grunn av gjenværende olje eller luft i oljerøret. ▪ Oljenivådeteksjonskomponentfeil. 	<ul style="list-style-type: none"> ▪ Vent noen minutter til olje- eller luftrester renner ut av oljerøret.

GARANTI

EGO GARANTIPOLITIKK

Besøk nettstedet egopowerplus.eu for fullstendige vilkår og betingelser for EGO-garantipolicyen.

ПРОЧИТАЙТЕ ВСЕ ИНСТРУКЦИИ!



ПРОЧИТАЙТЕ РУКОВОДСТВО ПОЛЬЗОВАТЕЛЯ

⚠ ПОПЕРЕЖДЕНИЯ. Для обеспечения безопасности и надежности устройства его ремонт должен выполнять квалифицированный специалист.

⚠ ПРЕДУПРЕЖДЕНИЕ. Перед использованием устройства внимательно прочитайте все инструкции в данном руководстве пользователя и ознакомьтесь с предупреждающими символами безопасности, такими как **ОПАСНОСТЬ, ПРЕДУПРЕЖДЕНИЕ и ВНИМАНИЕ.** Несоблюдение всех приведенных ниже инструкций может привести к поражению электрическим током,

возникновению пожара и (или) получению серьезных травм.

СОХРАНИТЕ ВСЕ ПРЕДУПРЕЖДЕНИЯ И ИНСТРУКЦИИ ДЛЯ ИСПОЛЬЗОВАНИЯ В БУДУЩЕМ.

СИМВОЛЫ БЕЗОПАСНОСТИ

⚠ ПРЕДУПРЕЖДЕНИЕ. В результате работы электроинструмента в глаза могут попасть посторонние предметы, что приведет к серьезному повреждению глаз. Перед началом использования электроинструмента всегда надевайте защитную маску или защитные очки с боковыми щитками и полнопрофильную защитную маску (при необходимости). Поверх очков или стандартных защитных очков рекомендуется надевать безопасную маску с широким обзором.



Предупреждение об опасности



Используйте защитные очки.



Используйте защитный головной убор.



Остерегайтесь отдачи цепной пилы и не допускайте контакта с концом шины цепи.



Информация о шине.



Гарантированный уровень звуковой мощности. Уровень шума в окружающей среде в соответствии с директивой ЕС.



Соответствует основным требованиям стандартов безопасности Европейских директив.



Bluetooth®

мм Миллиметр

V Напряжение

IPX5 Защита от струй воды



Чтобы уменьшить риск получения травм, перед использованием устройства необходимо прочитать и понять руководство по эксплуатации.



Используйте средства защиты органов слуха.



Используйте защитные перчатки.



Отдача кончика шины



Всегда держите цепную пилу двумя руками.



Неисправные электрические устройства нельзя выбрасывать вместе с бытовым мусором. Сдавайте их в авторизованные пункты сбора и утилизации.



Данное изделие соответствует действующему законодательству Великобритании.



Постоянный ток

n_0 Скорость работы без нагрузки

./min Оборотов в минуту

ПРИМЕЧАНИЕ. Словесный знак и логотип Bluetooth® являются зарегистрированными товарными знаками, принадлежащими Bluetooth SIG, Inc. и любое использование таких знаков компаниями EGO осуществляется на основании лицензии.

ТЕХНИЧЕСКИЕ ХАРАКТЕРИСТИКИ

Номинальное напряжение	56 В	
Макс. скорость цепи	30 м/с	
Шаг цепи	8,255 мм / 0,325 дюйма	
Калибр цепи	1,3 мм	
Длина шины	50 см	
Модель пильной цепи	AC2035 (рекомендуется)	
	AC1635, AC1835 (совместимо)	
Модель пильной цепи и шины	AK2035 (рекомендуется)	
	AK1635, AK1835 (совместимо)	
Объем масляного резервуара цепи	250 мл	
Масса (без аккумулятора, цепи, шины, боковой крышки, масла и чехла цепи)	4,3 кг	
Рекомендуемая рабочая температура	От -15 до 40°C	
Рекомендуемая температура хранения	От -20 до 70°C	
Рекомендуемая температура зарядки	От 5 до 40°C	
Измеренный уровень звуковой мощности L_{WA}	102 дБ (А)	
	$K=2,3$ дБ (А)	
Уровень звукового давления в рабочем состоянии L_{PA}	92 дБ (А)	
	$K=3$ дБ (А)	
Гарантированный уровень звуковой мощности L_{WA} (в соответствии с 2000/14/ЕС)	104 дБ (А)	
Вибрация a_n	Передняя рукоятка	3,3 м/с ²
		$K=1,5$ м/с ²
	Задняя рукоятка	1,74 м/с ²
		$K=1,5$ м/с ²

- Указанное общее значение вибрации было определено с помощью стандартного теста и может быть использовано для сравнения разных инструментов.
- Указанное общее значение вибрации также может использоваться для предварительной оценки уровня воздействия.

ПРИМЕЧАНИЕ. Реальное вибрационное воздействие электроинструмента может отличаться от указанного в зависимости от способа использования. В целях безопасности оператор должен надевать перчатки и средства защиты органов слуха во время использования устройства.

КОМПЛЕКТ ПОСТАВКИ (РИС. А1)

ОПИСАНИЕ

ЗНАКОМСТВО С ЦЕПНОЙ ПИЛОЙ (Рис. А1)

1. Пильная цепь
2. Ручка цепного тормоза
3. Передняя рукоятка
4. ЖК-экран
5. Уровень скорости
6. Индикатор Bluetooth
7. Индикатор подсветки
8. Индикатор тормоза
9. Индикатор высокой температуры
10. Указатель уровня заряда
11. Уровень тока нагрузки
12. Индикатор низкого уровня масла
13. Кнопка подсветки/Bluetooth
14. Кнопка подачи масла
15. Расход масла
16. Кнопка блокировки
17. Курок
18. Задняя рукоятка
19. Переключатель скорости цепи
20. Кнопка извлечения аккумулятора
21. Окошко индикации уровня масла
22. Крышка резервуара для масла
23. Шина цепи
24. Смазочное отверстие
25. Болт натяжения цепи

RU

26. Боковой кожух
27. Стопорные гайки
28. Упорные зубья
29. Светодиодная подсветка
30. Чехол цепи
31. Многофункциональный ключ

СБОРКА

СБОРКА/ЗАМЕНА ШИНЫ И ЦЕПИ

⚠ ПРЕДУПРЕЖДЕНИЕ. Перед сборкой установите ручку цепного тормоза в положение торможения.

1. Положите силовой блок пилы на бок, боковым кожухом вверх (Рис. В).
2. Снимите боковую крышку, повернув две контргайки против часовой стрелки.
3. Чтобы ослабить цепь, поверните болт натяжения цепи против часовой стрелки.
4. Разложите пильную цепь петлей на плоской поверхности и распрямите все перегибы (Рис. С).
5. Поместите приводные звенья цепи в паз шины и оттяните цепь в задней части шины (Рис. D).
6. Удерживая цепь в одном положении на шине, поместите петлю на зубчатое колесо (Рис. E1).

В-1	Стопорные гайки	D-2	Паз шины цепи
В-2	Болт натяжения цепи	E-1	Зубчатое колесо
D-1	Приводные звенья цепи		

ПРИМЕЧАНИЕ. При установке цепи на шину и шины на пилу убедитесь, что форма зубьев и направление вращения цепи соответствуют маркировке на корпусе инструмента. Если направление не совпадает, заново установите пильную цепь на шину в соответствии с маркировкой на корпусе (Рис. E2).

7. Установите боковую крышку на корпус инструмента и полностью затяните обе стопорные гайки.
8. Проверните цепь рукой. Правильно установленная цепь должна вращаться без заклинивания. В противном случае выполните сборку шины и цепи повторно.

ПРИМЕЧАНИЕ. Чтобы продлить срок службы шины, периодически переворачивайте ее.

РЕГУЛИРОВКА НАТЯЖЕНИЯ ЦЕПИ

- Перед регулировкой натяжения цепи остановите двигатель и извлеките аккумулятор. Поворачивайте болт натяжения цепи по часовой стрелке или против часовой стрелки, чтобы отрегулировать натяжение цепи (Рис. F), пока цепь надежно не натянется на шине таким образом, чтобы звенья цепи находились в пазу шины.
- Холодная цепь натянута правильно, если она не провисает под шиной и прилегает к ней, но при этом цепь можно беспрепятственно провернуть вручную. Натяжение цепи необходимо отрегулировать, если выступы на приводных звеньях не держатся в пазу шины.
- Во время нормальной работы цепь нагревается. Приводные звенья правильно натянутой цепи в нагретом состоянии выступают из паза шины примерно на 1,3 мм (Рис. G).

ПРИМЕЧАНИЕ. Новая цепь быстро растягивается. Проверяйте натяжение цепи чаще и подтягивайте ее по мере необходимости.

ПРИМЕЧАНИЕ. Если отрегулировать натяжение на горячей цепи, после охлаждения она может стать слишком тугой. Перед следующим использованием проверьте натяжение холодной цепи.

ИСПОЛЬЗОВАНИЕ

⚠ ПРЕДУПРЕЖДЕНИЕ. Не допускайте небрежности и беспечности при работе с устройством. Помните, что потери бдительности на долю секунды достаточно для получения серьезной травмы.

⚠ ПРЕДУПРЕЖДЕНИЕ. Не используйте насадки или дополнительные приспособления, не рекомендованные производителем устройства. Использование нерекондованных насадок и дополнительных приспособлений может привести к серьезным травмам.

⚠ ПРЕДУПРЕЖДЕНИЕ. Чтобы предотвратить случайное включение устройства и получение серьезной травмы, извлекайте аккумулятор перед выполнением сборки, регулировки и очистки, а также когда устройство не используется.

Перед каждым использованием полностью проверяйте устройство на наличие поврежденных, отсутствующих

RU

или плохо закрепленных частей, таких как винты, гайки, болты, заглушки и т. д. Надежно закрепите все фиксаторы и заглушки и не пользуйтесь устройством до тех пор, пока не будут заменены поврежденные или отсутствующие части.

ПРИМЕНЕНИЕ

Инструмент можно использовать для валки и обрезки деревьев, а также для распилки древесины.

ПРИМЕЧАНИЕ. Инструмент должен использоваться только по назначению. Любое другое использование, кроме упомянутого, считается ненадлежащим.

СМАЗКА ШИНЫ И ЦЕПИ

ПРЕДУПРЕЖДЕНИЕ. Не курите рядом с пилой и маслом. Не подносите их к источникам открытого пламени. Масло может пролиться, что приведет к пожару.

RU

ПРИМЕЧАНИЕ. Пила не заправляется маслом на заводе. Перед использованием инструмента необходимо залить в него масло. Цепь автоматически смазывается маслом во время использования.

1. Положите пилу набок, так чтобы крышка масляного резервуара оказалась сверху.
2. Очистите крышку резервуара для масла и область вокруг нее, чтобы никакая грязь не попала внутрь резервуара.
3. Поднимите полукруглую пластину и поверните крышку резервуара для масла против часовой стрелки, чтобы снять ее (Рис. Н).
4. Аккуратно налейте масло в резервуар. Заполните резервуар до нижней части заливной горловины.
5. Вытрите пролитое масло и закройте крышку.

ПРИМЕЧАНИЕ. Регулярно проверяйте уровень масла и доливайте его, если уровень опускается ниже минимальной отметки. Никогда не эксплуатируйте цепную пилу, если уровень масла не виден.

УСТАНОВКА И СНЯТИЕ АККУМУЛЯТОРА

ПРИМЕЧАНИЕ. Указатель уровня заряда на ЖК-экране показывает уровень заряда аккумулятора (Рис. А1). При низком уровне заряда аккумулятора указатель мигает. Перед первым использованием полностью зарядите аккумулятор.

Используйте только аккумуляторы и зарядные устройства EGO, указанные на Рис. А2.

Перед первым использованием полностью зарядите аккумулятор.

Установка

Совместите ребра аккумулятора с крепежными отверстиями и вставьте аккумулятор до щелчка (Рис. I).

Извлечение


Нажмите кнопку фиксации аккумулятора и извлеките аккумулятор (Рис. J).

ЗАПУСК И ОСТАНОВКА ЦЕПНОЙ ПИЛЫ

ПРИМЕЧАНИЕ. Перед запуском пилы необходимо проверить уровень масла, остроту зубьев, а также правильность работы ручки тормоза. Кроме того, необходимо принять правильную стойку и удерживать инструмент на надлежащем расстоянии от земли.

Запуск (Рис. К)


1. Переведите ручку тормоза в рабочее положение, потянув ее в сторону передней рукоятки (Рис. К).
2. Крепко возьмитесь за переднюю рукоятку левой рукой, а за заднюю — правой.

 ПРЕДУПРЕЖДЕНИЕ. Во избежание травм всегда используйте цепную пилу, держа ее правой рукой за поверхность захвата задней рукоятки (Рис. L).

3. Нажмите и удерживайте кнопку блокировки большим пальцем правой руки, затем зажмите остальными пальцами курок, чтобы включить инструмент (Рис. L).

L-1	Поверхность захвата
-----	---------------------

4. Для продолжительной работы отпустите кнопку блокировки и продолжайте зажимать курок.
5. Чем сильнее нажат курок, тем выше скорость цепи. Отрегулируйте скорость в соответствии с выполняемой задачей.

 ПРЕДУПРЕЖДЕНИЕ. Не запускайте инструмент, когда цепь находится в распиле.

Остановка

1. Уберите пилу подальше от зоны резания, а затем отпустите курок, чтобы остановить инструмент.
2. Переместите ручку тормоза вперед, чтобы включить тормоз цепи (Рис. К).

ПРЕДУПРЕЖДЕНИЕ. Во время перерывов в работе и

после ее окончания всегда извлекайте аккумулятор из устройства.

ИЗМЕНЕНИЕ РЕЖИМА СКОРОСТИ (Рис. М)

Устройство имеет три режима скорости. Каждый режим ограничивает максимальную скорость цепной пилы. Режим изменяется при каждом нажатии переключателя скорости цепи.

Индикаторы скорости на ЖК-экране отображают активный режим скорости: один индикатор для низкой скорости, два для средней скорости и три для высокой скорости. Режим низкой скорости (ECO) обеспечивает лучший контроль над устройством и более длительное время работы без подзарядки.

М-1	Уровень скорости	М-7	Уровень тока нагрузки
М-2	Индикатор Bluetooth	М-8	Кнопка подсветки/Bluetooth
М-3	Индикатор подсветки	М-9	Кнопка подачи масла
М-4	Индикатор тормоза	М-10	Переключатель скорости цепи
М-5	Индикатор высокой температуры	М-11	Расход масла
М-6	Указатель уровня заряда	М-12	Индикатор низкого уровня масла

ПРИМЕЧАНИЕ. При использовании аккумулятора EGO емкостью 4,0 Ач и менее доступен только режим ECO. Использование аккумулятора EGO емкостью менее 6 Ач не позволит достичь высокой скорости. Для достижения максимальной производительности настоятельно рекомендуется использовать аккумуляторы EGO емкостью 6 Ач (например, ВА3360Т) и более.

ПРИМЕЧАНИЕ. Цепная пила оснащена функцией памяти скорости цепи. При следующем включении цепной пилы будет активирован ранее использованный скоростной режим.

ПРИМЕЧАНИЕ. ЖК-экран начинает светиться при нажатии на курок, при нажатии кнопки подачи масла или кнопки подсветки/Bluetooth. По умолчанию ЖК-

экран автоматически выключается примерно через 1 секунду бездействия.

ПРИМЕЧАНИЕ. Нажатие на переключатель скорости цепи не приведет к включению ЖК-экрана.

УРОВЕНЬ НАГРУЗКИ (Рис. М)

Уровень нагрузки в правой части ЖК-экрана показывает текущую нагрузку на устройство. Большое количество полосок указывает на более высокую нагрузку, и наоборот.

Эта функция предназначена в первую очередь для опытных пользователей бензопил, которые могут не знать, как ведет себя аккумуляторная пила при различных нагрузках. Это позволяет контролировать нагрузку, чтобы избежать длительной работы под большой нагрузкой, которая может привести к остановке цепной пилы во время работы из-за перегрева.

ИНДИКАТОР ВЫСОКОЙ ТЕМПЕРАТУРЫ (Рис. М)

Индикатор высокой температуры светится, если во время работы температура устройства превышает 90°C или температура аккумулятора превышает 70°C. Цепь защиты от перегрева немедленно отключит устройство, чтобы предотвратить его повреждение. Отпустите курок и подождите, пока устройство или аккумулятор остынут и индикатор высокой температуры перестанет светиться, затем перезапустите устройство.

ИНДИКАТОР ТОРМОЗА (Рис. М)

Индикатор тормоза появляется на ЖК-экране, когда тормозной механизм находится в положении торможения.

Индикатор тормоза будет мигать, когда всенаправленная система тормоза цепи остановит пилу. Подробную информацию см. в следующей главе.

ВСЕНАПРАВЛЕННАЯ СИСТЕМА ТОРМОЗА ЦЕПИ (Рис. N1 и Рис. N2)

Всенаправленная система тормоза цепи не предназначена для замены стандартного/традиционного цепного тормоза. При работе с цепной пилой пользователь никогда не должен полагаться на эту функцию для защиты от отдачи. Всегда следуйте указаниям по безопасности относительно предотвращения отдачи, приведенным в разделе предупреждений данного руководства.

Когда всенаправленная система тормоза цепи

активируется и останавливает пилу, на ЖК-экране будет мигать индикатор тормоза (Рис. М). Отпустите курок, извлеките цепь и шину из заготовки, затем запустите пилу снова.

ПРИМЕЧАНИЕ. Датчики фиксируют только резкое перемещение пилы в плоскости шины (Рис. N1). Датчики не зафиксируют резкое перемещение пилы в сторону (Рис. N2) (т. е. перпендикулярно плоскости шины).

РАСХОД МАСЛА И ИНДИКАТОР НИЗКОГО УРОВНЯ МАСЛА (Рис. М)

Устройство автоматически смазывает цепь. Эта цепная пила позволяет изменять расход масла при каждом нажатии кнопки подачи масла.

ПРИМЕЧАНИЕ. Расход масла можно изменить только при неподвижной пильной цепи.

RU

Расход масла отображается на ЖК-экране. Одна полоска означает низкий расход, две полоски — средний, три полоски — высокий.

Выберите более высокий расход для более высокой скорости вращения цепи. Если пильная цепь высохнет во время работы, остановите двигатель и выберите более высокий расход масла.

При низком уровне масла на ЖК-экране появится соответствующий индикатор над полосками расхода масла. При этом будет доступен только низкий расход.

Остановите цепную пилу и заправьте масляный резервуар в соответствии с инструкциями в главе

ЗАПОЛНЕНИЕ РЕЗЕРВУАРА ДЛЯ МАСЛА СМАЗКОЙ ДЛЯ ШИНЫ И ЦЕПИ.

После заполнения резервуара для масла запустите цепную пилу примерно на 10 секунд, чтобы заработала автоматическая система смазки. После этого индикатор на ЖК-экране погаснет.

ПРИМЕЧАНИЕ. Если индикатор на ЖК-экране все еще светится после выполнения вышеуказанных действий, возможно повреждение системы. Прекратите использование цепной пилы и обратитесь в авторизованный сервисный центр EGO для ремонта.

СВЕТОДИОДНАЯ ПОДСВЕТКА (Рис. О)

Светодиодная подсветка расположена в передней части корпуса пилы. Она обеспечивает освещение для улучшения видимости и имеет 2 уровня яркости.

Чтобы включить подсветку, нажмите один раз кнопку подсветки/Bluetooth (Рис. М). Подсветка включится с низким уровнем яркости, на ЖК-экране появится соответствующий индикатор. Нажмите кнопку подсветки/Bluetooth еще раз, чтобы переключиться на высокий уровень яркости. На ЖК-экране появится значок подсветки с высокой яркостью.

Чтобы выключить подсветку, нажмите кнопку подсветки/Bluetooth в третий раз. Индикатор подсветки на ЖК-экране погаснет.

0-1	Индикатор подсветки с низкой яркостью	0-3	Светодиодная подсветка
0-2	Индикатор подсветки с высокой яркостью		

КОММУНИКАЦИОННЫЕ ТЕХНОЛОГИИ

Для получения информации и полного списка наших продуктов и услуг, включая инструкции по подключению, отсканируйте QR-код ниже или посетите сайт www.egopowerplus.eu/connect.



ПРАВИЛЬНЫЙ ХВАТ (РИС. P1)

- Для обеспечения крепкого захвата и максимальной защиты наденьте нескользящие перчатки.
- Положите пилу на ровную прочную поверхность и крепко возьмитесь за нее обеими руками.
- Всегда беритесь за переднюю рукоятку левой рукой, а за заднюю — правой.
- Пальцы должны плотно охватывать рукоятку, причем большой палец должен быть под передней рукояткой.

⚠ ПРЕДУПРЕЖДЕНИЕ. Никогда не держитесь левой рукой за заднюю рукоятку и не работайте в положении, в котором тело или рука пересекают линию цепи.

⚠ ПРЕДУПРЕЖДЕНИЕ. Не нажимайте на курковый

выключатель левой рукой и держитесь правой рукой за переднюю рукоятку. Никогда не допускайте, чтобы во время работы с цепной пилой какая-либо часть тела находилась на линии цепи (Рис. P2).

ПРАВИЛЬНАЯ СТОЙКА (РИС.) Q)

- Обе ноги должны стоять на твердой поверхности, масса тела должна быть равномерно распределена между ними.
- Левая рука должна быть прямой, локоть зафиксирован. Это поможет бороться с отдачей.
- Тело оператора должно находиться слева от линии цепи.

БАЗОВАЯ ТЕХНИКА ПРИ ВАЛКЕ И ОБРЕЗКЕ ДЕРЕВЬЕВ, А ТАКЖЕ ПРИ ПОПЕРЕЧНОЙ РАСПИЛКЕ

⚠ ПРЕДУПРЕЖДЕНИЕ. Во время работы следите за равновесием и всегда держите пилу обеими руками.

⚠ ПРЕДУПРЕЖДЕНИЕ. Если во время работы цепь остановилась из-за зажатия, отпустите курок и извлеките пилу из распила, а затем продолжайте работу.

⚠ ПРЕДУПРЕЖДЕНИЕ. Не тяните за пильную цепь руками, если она забилась опилками. Случайный запуск пилы может привести к серьезным травмам. Прижмите цепь к заготовке и перемещайте назад и вперед, чтобы удалить загрязнения. Перед очисткой инструмента обязательно извлекайте аккумулятор. При работе с цепью надевайте прочные защитные перчатки.

⚠ ПРЕДУПРЕЖДЕНИЕ. Не запускайте пилу, если цепь касается заготовки. Прежде чем начинать резать заготовку, дайте инструменту набрать полную скорость.

ВАЛКА ДЕРЕВЬЕВ

- Если несколько человек одновременно валят и распиливают деревья в одном месте, то валка должна выполняться отдельно от распиливания на расстоянии, которое по крайней мере вдвое превышает высоту спиливаемых деревьев. Спиливаемое дерево при падении не должно представлять угрозу для людей, коммуникационных линий и имущества. В случае контакта дерева с коммуникационной линией об этом нужно немедленно сообщить в обслуживающую организацию.
- При работе на склоне оператор должен стоять выше дерева, так как спиленное дерево может покатиться вниз.

- Путь отхода должен быть спланирован и очищен от посторонних предметов перед началом работы. Путь отхода должен быть направлен по диагонали в сторону, противоположную предполагаемому направлению падения (см. Рис. R).

R-1	Направление падения
R-2	Безопасный путь отхода

- Перед валкой необходимо рассчитать, в какую сторону дерево будет падать, учитывая его естественный наклон, расположение крупных ветвей и направление ветра.
- Удалите с дерева грязь, камни, рыхлую кору, гвозди, скобы и провода.

Подпил

Сделайте подпил на 1/3 диаметра дерева перпендикулярно направлению падения, как показано на Рис. S. Сначала сделайте нижний горизонтальный подпил. Это поможет избежать защемления цепи пилы или шины во время выполнения второго подпила.

RU

S-1	Направление падения	S-3	Задний пропил
S-2	Пропил	S-4	Ось

Задний пропил

- Выполните задний пропил как минимум на 50 мм выше горизонтального, как показано на Рис. S. Задний пропил должен быть параллелен горизонтальному подпилу. Выполняя задний пропил, оставьте достаточно дерева, чтобы оно работало как ось. Деревянная ось предохранит дерево от наклона и падения в неправильном направлении. Не распиливайте ось.
- При приближении заднего пропила к оси дерево должно начать падать. Если существует вероятность, что дерево может упасть в другом направлении или может наклониться и защемить пилу, прекратите пилить, пока задний пропил еще не завершен, и используйте деревянные, пластиковые или алюминиевые клинья, чтобы открыть пропил и направить дерево по правильной траектории падения.
- Когда дерево начнет падать, уберите пилу из пропила, остановите двигатель и положите ее, а затем используйте запланированный путь отхода. Остерегайтесь падающих веток и смотрите под ноги.

Обрезка ветвей

Обрезка — это удаление веток со спиленного дерева. При обрезке оставьте большие нижние ветви, чтобы они поддерживали ствол дерева над землей. Спиливайте небольшие ветки одним движением, как показано на Рис. Т. Распиливая ветви под нагрузкой, срежьте их последовательно, начиная с нижних, чтобы избежать застревания пилы.

Раскряжевка бревна

Раскряжевка — это распиливание бревен на части. При работе важно сохранять устойчивое положение и равномерно распределять вес тела на обе ноги. При возможности бревно должно поддерживаться козлами, другими бревнами или чурбанами. Для облегчения работы следуйте простым правилам.

Если бревно поддерживается по все длине, как показано на Рис. U1, его необходимо распилить сверху вниз.

Если бревно поддерживается только с одной стороны, как показано на Рис. U2, его необходимо подпилить на 1/3 диаметра снизу. Затем распил завершается сверху.

Если бревно поддерживается с обоих концов, как показано на Рис. U3, сделайте пропил глубиной в 1/3 диаметра сверху. Затем распил остальных 2/3 диаметра завершается снизу.

При работе на склоне всегда стойте выше бревна, как показано на Рис. V.

Чтобы сохранять полный контроль при сквозном пропиле, ослабьте давление резки ближе к концу пропила, не ослабляя хватку на рукоятках пилы. Не допускайте контакта цепи с землей. После завершения распила подождите, пока цепь остановится, прежде чем двигать пилу. Всегда выключайте пилу перед перемещением от одного дерева к другому.

ОБСЛУЖИВАНИЕ

⚠ ПРЕДУПРЕЖДЕНИЕ. При ремонте используйте только идентичные запасные части. Использование других запасных частей может привести к возникновению опасной ситуации или повреждению устройства. Для обеспечения безопасности и надежности устройства его ремонт должен выполнять квалифицированный специалист.

⚠ ПРЕДУПРЕЖДЕНИЕ. Во избежание серьезных травм всегда извлекайте из устройства аккумулятор перед осмотром, очисткой или обслуживанием. Электроинструмент с установленным аккумулятором

всегда может случайно включиться.

⚠ ПРЕДУПРЕЖДЕНИЕ. При очистке пилы НЕ ПОГРУЖАЙТЕ ее в воду и другие жидкости.

⚠ ПРЕДУПРЕЖДЕНИЕ. Не допускайте попадания на пластиковые части тормозной жидкости, бензина, продуктов на нефтяной основе, пропитывающих масел и т. д. Химические вещества могут повредить, ослабить или разрушить пластик, что приведет к получению серьезных травм.

ОЧИСТКА

- После каждого использования очищайте цепь и шину мягкой щеткой. Очищайте поверхность пилы чистой тканью, смоченной в слабом мыльном растворе.
- Снимите боковой кожух и очистите шину, цепь, зубчатое колесо и кожух мягкой щеткой.
- Снимайте нижнюю крышку примерно каждые 8 часов работы, а затем используйте мягкую щетку для удаления мусора внутри устройства и с крышки (Рис. W).
- При замене пильной цепи всегда очищайте паз шины цепи от щепок, опилок и загрязнений.

УХОД ЗА ШИНОЙ

Если шина имеет признаки износа, демонтируйте ее с силового блока, переверните и установите заново (Рис. X1). Это позволит распределить износ таким образом, чтобы максимально продлить срок службы шины.

Шину необходимо очищать и проверять на наличие износа и повреждений каждый день после использования (Рис. X2). Появление зазубрин и стружек на шине — нормальное явление, свидетельствующее о ее износе. Такие дефекты необходимо удалять напильником сразу же при их обнаружении. При наличии любого из перечисленных ниже дефектов шину необходимо заменить.

- Износ внутренней части шины, из-за которого цепь съезжает набок.
- Изгиб шины.
- Трещины или разрыв направляющих.
- Расширение направляющих.
- Кроме того, на конце шины установлено зубчатое колесо (Рис. X3).

Чтобы продлить срок службы шины, раз в неделю колесо необходимо смазывать из масленки. Смазывайте шину маслом для цепи раз в неделю,

подавая его из масленки в смазочное отверстие (Рис. W4). Переверните шину и убедитесь, что смазочные отверстия и паз цепи не загрязнены.

X-1	Направляющие шины	X-3	Смазочное отверстие
X-2	Зубчатое колесо на конце шины		

ПРИМЕЧАНИЕ. Для получения наилучших результатов используйте смазочные материалы, одобренные EGO.

ТРАНСПОРТИРОВКА И ХРАНЕНИЕ

Не убирайте на хранение и не переносите инструмент, когда он работает. Перед хранением и транспортировкой всегда извлекайте аккумулятор из устройства.

Перед транспортировкой или хранением инструмента всегда надевайте на цепь чехол. Будьте осторожны с острыми зубьями цепи.

Прежде чем убрать пилу на хранение, тщательно очистите ее. Храните пилу в надежном сухом помещении, недоступном для детей.

Храните вдали от источников коррозии, таких как садовые удобрения и техническая соль.

ОХРАНА ОКРУЖАЮЩЕЙ СРЕДЫ



Не выбрасывайте электроприборы, зарядные устройства и аккумуляторные батареи вместе с бытовыми отходами!

Отправьте данное изделие на переработку в специализированное предприятие или сдайте его для раздельного сбора.

Электроинструменты должны быть возвращены на перерабатывающее предприятие, не наносящее ущерба окружающей среде.

RU

УСТРАНЕНИЕ НЕПОЛАДОК

⚠ ПРЕДУПРЕЖДЕНИЕ. При выполнении любых работ по обслуживанию цепной пилы всегда надевайте прочные перчатки. Перед проведением обслуживания или транспортировкой устройства обязательно извлекайте аккумулятор.

НЕСПРАВНОСТЬ	ПРИЧИНА	ВИРШЕНИЯ
Двигатель не запускается.	<ul style="list-style-type: none"> ■ В инструмент не установлена аккумуляторная батарея. ■ Нет электрического контакта между пилой и аккумулятором. ■ Если указатель уровня заряда на ЖК-экране мигает, аккумуляторная батарея разряжена. ■ Если на ЖК-экране светится индикатор высокой температуры, произошел перегрев аккумуляторной батареи или пилы. ■ Если на ЖК-экране светится индикатор цепного тормоза, сработал тормоз цепи. ■ В пазу шины скопился мусор. ■ Под боковой кожух набился мусор. 	<ul style="list-style-type: none"> ■ Установите аккумулятор в инструмент. ■ Извлеките аккумулятор, проверьте контакты и установите его снова. ■ Зарядите аккумулятор. ■ Подождите, пока аккумулятор или пила не остынут до 67°C. ■ Переведите ручку цепного тормоза в рабочее положение, потянув ее в сторону передней рукоятки. ■ Прижмите цепь к заготовке и перемещайте назад и вперед, чтобы удалить загрязнения. ■ Извлеките аккумулятор, затем снимите боковой кожух и удалите загрязнения.
Режим скорости изменить нельзя.	<ul style="list-style-type: none"> ■ Переключатель скорости цепи засорен. 	<ul style="list-style-type: none"> ■ Очистите переключатель скорости цепи от мусора.
Цепная пила неожиданно останавливается во время работы.	<ul style="list-style-type: none"> ■ Пила перегружена. ■ Если на ЖК-экране светится индикатор высокой температуры, произошел перегрев аккумуляторной батареи или пилы. ■ Цепь зажата в заготовке. ■ Если на ЖК-экране мигает индикатор цепного тормоза, пила остановлена всенаправленной системой тормоза цепи. 	<ul style="list-style-type: none"> ■ Уменьшите нагрузку. ■ Подождите, пока аккумулятор или пила не остынут до 67°C. ■ Отпустите курок-выключатель. Извлеките шину из заготовки и продолжайте работу. ■ Отпустите курок-выключатель. Извлеките шину из заготовки и продолжайте работу.
Двигатель работает, но цепь не вращается.	<ul style="list-style-type: none"> ■ Цепь не зацепляется за зубчатое колесо. 	<ul style="list-style-type: none"> ■ Установите цепь заново и убедитесь, что приводные звенья надежно прилегают к зубчатому колесу.

RU

НЕСПРАВНІСТЬ	ПРИЧИНА	ВИРІШЕННЯ
Не срабатывает цепной тормоз.	<ul style="list-style-type: none"> ■ Ручка цепного тормоза не может свободно двигаться из-за мусора. ■ Тормозная система неисправна. 	<ul style="list-style-type: none"> ■ Удалите мусор снаружи механизма цепного тормоза. ■ Обратитесь в службу поддержки клиентов EGO для ремонта.
Пила не режет надлежащим образом.	<ul style="list-style-type: none"> ■ Цепь плохо натянута. ■ Цепь затупилась. ■ Цепь установлена задом наперед. ■ Цепь изношена. ■ Цепь не смазывается или сильно растянулась. ■ Цепь вышла из паза в шине. 	<ul style="list-style-type: none"> ■ Отрегулируйте натяжение цепи. См. раздел РЕГУЛИРОВКА НАТЯЖЕНИЯ ЦЕПИ. ■ Заточите цепь. ■ Установите цепь заново. См. раздел СБОРКА/ЗАМЕНА ШИНЫ И ЦЕПИ. ■ Замените цепь. См. раздел СБОРКА/ЗАМЕНА ШИНЫ И ЦЕПИ. ■ Проверьте уровень масла. Заполните резервуар для масла и при необходимости увеличьте объем подачи масла. ■ Установите цепь заново. См. раздел СБОРКА/ЗАМЕНА ШИНЫ И ЦЕПИ.
Цепь ослабевает или соскакивает с шины в процессе нормальной эксплуатации.	<ul style="list-style-type: none"> ■ Цепь ослабевает по мере повышения температуры цепи при нормальной работе пилы. ■ Цепь не зацепляется за зубчатое колесо. 	<ul style="list-style-type: none"> ■ Отрегулируйте натяжение цепи. См. раздел РЕГУЛИРОВКА НАТЯЖЕНИЯ ЦЕПИ. ■ Установите цепь заново. См. раздел СБОРКА/ЗАМЕНА ШИНЫ И ЦЕПИ.
Шина и цепь нагреваются и дымятся.	<ul style="list-style-type: none"> ■ Если на ЖК-экране появляется индикатор низкого уровня масла, резервуар для масла пуст. ■ В пазу шины скопился мусор. 	<ul style="list-style-type: none"> ■ Проверьте уровень масла. При необходимости залейте масло в резервуар. ■ Удалите мусор из паза.
Индикатор низкого уровня масла может появиться на ЖК-дисплее, даже если в резервуаре достаточно масла. И наоборот, даже если в резервуаре мало масла, индикатор низкого уровня масла может не отображаться на ЖК-дисплее.	<ul style="list-style-type: none"> ■ Датчик уровня масла еще не определил реальный уровень из-за остатков масла или воздуха в масляной трубке. ■ Неисправность датчика уровня масла. 	<ul style="list-style-type: none"> ■ Подождите несколько минут, чтобы из масляной трубки вышли остатки масла или воздуха.

ГАРАНТІЯ

ПРАВИЛА ГАРАНТІЇ EGO

Відвідайте веб-сайт egopowerplus.eu для отримання повного тексту умов гарантійної політики EGO.

PRZECZYTAJ WSZYSTKIE INSTRUKCJE!



PRZECZYTAJ INSTRUKCJĘ OBSŁUGI

⚠️ OSTRZEŻENIE: Aby zagwarantować bezpieczeństwo i niezawodność, wszystkie naprawy powinny być wykonywane przez wykwalifikowanych techników serwisu.

⚠️ OSTRZEŻENIE: Przed użyciem narzędzia należy koniecznie przeczytać ze zrozumieniem wszystkie instrukcje dotyczące bezpieczeństwa podane w podręczniku użytkownika, łącznie z wszystkimi symbolami ostrzegawczymi takimi jak „**NIEBEZPIECZEŃSTWO**”, „**OSTRZEŻENIE**” i „**OSTROŻNIE**”. Niestosowanie się do wszystkich podanych niżej instrukcji może doprowadzić do

porażenia prądem, pożaru i/lub poważnych urazów ciała.

WSZYSTKIE OSTRZEŻENIA I INSTRUKCJE NALEŻY ZACHOWAĆ NA PRZYSZŁOŚĆ.

SYMBOLE BEZPIECZEŃSTWA

⚠️ OSTRZEŻENIE: Praca elektronarzędziami może spowodować wyrzucenie ciał obcych w oczy użytkownika, co może doprowadzić do poważnych urazów oczu. Przed rozpoczęciem pracy elektronarzędziem należy zawsze założyć gogle ochronne lub okulary z osłonami bocznymi, a w stosownych przypadkach także pełną osłonę na twarz. Zalecamy nakładanie na zwykłe okulary maski zabezpieczającej o szerokim polu widzenia lub stosowanie standardowych okularów zabezpieczających z osłonami bocznymi.

PL



Ostrzeżenie dotyczące bezpieczeństwa



Noś okulary ochronne



Noś kask ochronny



Uwaga na możliwość odbicia pilarki; należy unikać kontaktu z czubkiem prowadnicy



Prowadnica - informacje



Gwarantowany poziom mocy akustycznej. Emisja hałasu do środowiska zgodnie z dyrektywą Wspólnoty Europejskiej.



Ten produkt jest zgodny z obowiązującymi dyrektywami WE.



Bluetooth®

mm Milimetr

V Napięcie

IPX5 Ochrona przed strumieniami wody



Aby zmniejszyć ryzyko urazów, przed rozpoczęciem używania urządzenia, użytkownik musi przeczytać i zrozumieć instrukcję.



Noś ochronniki słuchu



Noś rękawice ochronne



Odbicie czubka prowadnicy



Pilarki należy zawsze używać oburącz



Zużytych wyrobów elektrycznych nie należy wyrzucać razem ze zwykłymi odpadami domowymi. Należy je oddać do autoryzowanego punktu recyklingu.



Produkt jest zgodny z dyrektywami obowiązującymi w Wielkiej Brytanii.



Prąd stały

n_0 Prędkość bez obciążenia

./min Na minutę

SPECYFIKACJA

Napięcie znamionowe	56 V	
Maks. Prędkość łańcucha	30 m/s	
Podziałka łańcucha	8,255 mm / 0,325"	
Grubość łańcucha	1,3 mm	
Długość prowadnicy	50 cm	
Model łańcucha tnącego	AC2035 (zalecane)	
	AC1635, AC1835 (Kompatybilny)	
Model łańcucha tnącego i prowadnicy	AK2035 (zalecane)	
	AK1635, AK1835 (Kompatybilny)	
Pojemność zbiornika na olej	250 ml	
Waga (bez akumulatora, łańcucha, prowadnicy, osłony bocznej, oleju i osłony na łańcuch)	4,3 kg	
Zalecana temperatura użytkowania	-15°C – 40°C	
Zalecana temperatura przechowywania	-20°C – 70°C	
Zalecana temperatura ładowania	5°C – 40°C	
Zmierzony poziom mocy akustycznej L_{WA}	102 dB(A) K=2,3 dB(A)	
Poziom ciśnienia akustycznego w pozycji pracy L_{PA}	92 dB(A) K=3 dB(A)	
Gwarantowany poziom mocy akustycznej L_{WA} (zgodnie z dyrektywą 2000/14/WE)	104 dB(A)	
Drgania a_h	Uchwyt przedni	3,3 m/s ² K=1,5 m/s ²
	Uchwyt tylny	1,74 m/s ² K=1,5 m/s ²

- Deklarowana całkowita wartość drgań została zmierzona zgodnie ze standardowymi metodami testowania i może służyć do porównywania różnych narzędzi.
- Deklarowana całkowita wartość drgań może również służyć do wstępnej oceny narażenia na drgań.

UWAGA: Emisja drgań podczas rzeczywistego stosowania elektronarzędzia może się różnić od deklarowanej wartości, w której narzędzie jest używane. Aby się zabezpieczyć, w rzeczywistych warunkach użytkowania użytkownik powinien nosić rękawice i nauszniki ochronne.

LISTA ELEMENTÓW W OPAKOWANIU (RYS. A1)

OPIS

ZAPOZNANIE SIĘ Z PILARKĄ (Rys. A1)

1. Łańcuch tnący
2. Dźwignia hamulca łańcucha
3. Uchwyt przedni
4. Wyświetlacz LCD
5. Poziom prędkości
6. Ikona Bluetooth
7. Ikona reflektora
8. Ikona hamulca
9. Wskaźnik wysokiej temperatury
10. Okrągły wskaźnik naładowania
11. Poziom prądu obciążenia
12. Wskaźnik niskiego poziomu oleju
13. Przycisk reflektora/Bluetooth
14. Przycisk podawania oleju
15. Poziom wyjściowy oleju
16. Przycisk odblokowujący
17. Włącznik spustowy
18. Uchwyt tylny
19. Przelącznik prędkości łańcucha
20. Przycisk odblokowujący akumulator
21. Okienko kontroli oleju
22. Zakrętka zbiornika oleju
23. Prowadnica
24. Otwór do smarowania
25. Śruba napinania łańcucha
26. Pokrywa boczna
27. Nakrętki zabezpieczające
28. Ostrogi
29. Reflektor LED
30. Osłona łańcucha
31. Klucz uniwersalny

PL

MONTAŻ

MONTAŻ/WYMIANA PROWADNICY I ŁAŃCUCHA

⚠ OSTRZEŻENIE: Przed przystąpieniem do montażu należy ustawić w pozycji hamowania dźwignię hamulca łańcucha.

1. Położyć głowicę napędową pilarki na boku, pokrywą boczną skierowaną do góry (Rys. B).
2. Odkręcić dwie nakrętki zabezpieczające w lewo (przeciwnie do kierunku ruchu wskazówek zegara), aby zdjąć pokrywę boczną.
3. Przekręcić śrubę napinającą łańcuch w lewo (przeciwnie do kierunku ruchu wskazówek zegara), aby poluzować łańcuch.
4. Położyć łańcuch pilarki w postaci pętli na płaskiej powierzchni i wyprostować wszelkie miejsca, które są splecione (Rys. C).
5. Włożyć ogniwa przesuwające łańcuch do rowka prowadnicy w taki sposób, aby z tyłu prowadnicy utworzyć pętlę (Rys. D).
6. Przytrzymać łańcuch w odpowiedniej pozycji na prowadnicy i nałożyć pętlę na zębatkę pilarki (Rys. E1).

B-1	Nakrętki zabezpieczające	D-2	Rowek prowadnicy
B-2	Śruba napinania łańcucha	E-1	Zębatka napędowa
D-1	Ogniwa przesuwające łańcuch		

UWAGA: Podczas zakładania łańcucha pilarki na prowadnicę należy upewnić się, że po zamontowaniu prowadnicy w pilarcie kierunek ostrza będzie zgodny z ikoną ostrza i ze strzałką kierunku obrotów na obudowie. Jeżeli ogniwa tnące są skierowane w przeciwnym kierunku, należy ponownie założyć łańcuch tnący na prowadnicę, ale tak, aby strzałki skierowane były w tym samym kierunku (Rys. E2).

7. Założyć z powrotem pokrywę boczną na obudowie pilarki łańcuchowej i mocno zakręcić obie nakrętki zabezpieczające.
8. Przekręcić łańcuch ręcznie, aby sprawdzić, czy jest on prawidłowo założony i czy się nie zacina. Jeśli się zacina, łańcuch i prowadnicę należy założyć ponownie.

UWAGA: Aby wydłużyć czas używalności prowadnicy, należy ją od czasu do czasu obracać.

REGULACJA NAPIĘCIA ŁAŃCUCHA

- Przed regulacją napięcia łańcucha należy wyłączyć silnik i wyjąć akumulator. Przekręcić śrubę napinającą łańcuch w prawo lub w lewo, aby wyregulować napięcie łańcucha (Rys. F), aż łańcuch

będzie ściśle przylegał do prowadnicy, a ogniwa napędowe znajdą się w rowku prowadnicy.

- Łańcuch jest poprawnie napięty, gdy nie ma luzu w dolnej części prowadnicy, łańcuch przylega do prowadnicy, ale można nim kręcić ręką i łańcuch nie zacina się. Łańcuch musi zostać napięty ponownie, gdy płaskie części ogniw napędowych nie znajdują się w rowku prowadnicy.
- W czasie zwykłej pracy pilarką zwiększa się temperatura łańcucha. Ogniwa przesuwające łańcuch prawidłowo napiętego rozgrzanego łańcucha mają około 1,3 mm luzu poza rowkiem prowadnicy (Rys. G).

UWAGA: Nowy łańcuch ma tendencję do rozciągania się, należy więc często kontrolować jego naciągnięcie i regulować je odpowiednio do potrzeb.

UWAGA: Rozgrzany i naprężony łańcuch może być założony zbyt ciasno. Naprężenie zimnego łańcucha należy kontrolować przed każdym użyciem.

UŻYTKOWANIE

⚠ OSTRZEŻENIE: Nie wolno dopuścić do tego, aby znajomość narzędzia doprowadziła do nieuwagi. Należy pamiętać, że do spowodowania poważnych obrażeń wystarczy zaledwie chwila nieuwagi.

⚠ OSTRZEŻENIE: Nie należy używać końcówek lub akcesoriów innych niż zalecane przez producenta produktu. Używanie końcówek lub akcesoriów innych niż zalecane może doprowadzić do poważnych obrażeń.

⚠ OSTRZEŻENIE: Aby zapobiec przypadkowemu włączeniu, które mogłoby spowodować ciężkie urazy, na czas mocowania części, regulacji, czyszczenia lub gdy narzędzie nie jest używane, z narzędzia należy zawsze wyjmować akumulator.

Przed każdym użyciem należy skontrolować cały produkt pod kątem uszkodzonych, brakujących lub obluźwionych części takich jak śruby, wkręty, nakrętki, nasadki itp. Wszystkie elementy połączeniowe i nasadki należy mocno dokręcić. Nie należy używać produktu zanim wszystkie brakujące lub uszkodzone części nie zostaną wymienione.

ZASTOSOWANIA

Tego narzędzia można używać do obalania, okrzesywania i piłowania drzew.

UWAGA: Maszyny należy używać tylko do celów zgodnych z przeznaczeniem. Wszelkie inne zastosowania uznaje się za niezgodne z przeznaczeniem.

SMAROWANIE PROWADNICZY I ŁAŃCUCHA

⚠ OSTRZEŻENIE: W pobliżu oleju lub pilarki nie należy palić tytoniu ani zapalać ognia lub płomieni. Olej może się rozlać i spowodować pożar.

UWAGA: W momencie zakupu w pilarence nie ma oleju. Bardzo ważne jest, aby przed użyciem wlać olej do zbiornika na olej. W czasie pracy łańcuch jest automatycznie smarowany olejem do łańcucha.

1. Położyć pilarkę na boku, wlewem zbiornika do góry.
2. Wyczyścić korek zbiornika oleju i miejsce wokół, aby do zbiornika oleju nie dostały się żadne nieczystości.
3. Podnieść półokrągłą płytę i odkręcić korek zbiornika oleju w lewo, aby go zdjąć (Rys. H).
4. Ostrożnie nalać do zbiornika oleju do smarowania prowadnicy i łańcucha. Napełnić zbiornik aż po dolną krawędź szyjki wlewu.
5. Wyrzucić nadmiar oleju i zakręcić korek.

UWAGA: Należy często sprawdzać poziom oleju i dolewać olej, gdy poziom spadnie poniżej linii minimum. Nigdy nie wolno używać pilarki, gdy nie widać oleju.

ZAKŁADANIE/WYJMOWANIE AKUMULATORA

UWAGA: Okrąg wskaźnika paliwa na ekranie LCD wskazuje poziom naładowania akumulatora (rys. A1). Okrąg będzie migać, gdy poziom naładowania baterii będzie bliski wyczerpania. Przed pierwszym użyciem akumulator należy całkowicie naładować.

Do urządzenia należy używać wyłącznie ładowarek i akumulatorów marki EGO wymienionych na Rys. A2.

Naładować przed pierwszym użyciem.

Zakładanie

Należy dopasować żeberka akumulatora do szczelin mocujących i wsunąć akumulator do ładowarki aż da się słyszeć kliknięcie (Rys. I).

Wymywanie

Należy wcisnąć przycisk wymowywania akumulatora i wysunąć akumulator (Rys. J).

WŁĄCZANIE/WYŁĄCZANIE PILARKI

UWAGA: Przed włączeniem pilarki należy sprawdzić poziom oleju, naostrzenie zębów tnących oraz właściwe działanie dźwigni hamulca łańcucha. Należy także zadbać o stabilność podłoża i wystarczającą odległość prowadnicy pilarki od podłoża.

Włączanie (Rys. K)

1. Pociągnąć dźwignię hamulca łańcucha do uchwytu przedniego, do pozycji roboczej (Rys. K)
2. Mocno chwycić przedni uchwyt lewą ręką, a tylny uchwyt prawą ręką.

⚠ OSTRZEŻENIE: Aby uniknąć obrażeń, pilarkę łańcuchową należy zawsze obsługiwać prawą ręką i chwytać za obszar uchwytu tylnego (Rys. L).

3. Kciukiem prawej ręki wcisnąć i przytrzymać przycisk odblokowujący, następnie nacisnąć palcami przełącznik spustowy, aby uruchomić pilarkę (Rys. L).

L-1	Biaoge2 Uchwyt
-----	----------------

4. Puścić przycisk odblokowujący, ale w dalszym ciągu wciskać spust, aby podtrzymać pracę narzędzia.
5. Im bardziej przełącznik spustowy jest wciśnięty, tym większa jest prędkość łańcucha. Prędkość należy ustawić odpowiednio do wykonywanej pracy.

⚠ OSTRZEŻENIE: Nie należy próbować włączać pilarki, gdy łańcuch tnący znajduje się w nacięciu.

Wyłączanie

1. Aby wyłączyć pilarkę, należy odsunąć ją od miejsca cięcia, a następnie puścić przełącznik spustowy.
2. Aby załączyć hamulec łańcucha, należy popchnąć dźwignię hamulca łańcucha do przodu w pozycję hamowania (Rys. K).

⚠ OSTRZEŻENIE: Na czas przerw w pracy i po zakończeniu pracy należy zawsze wyjmować akumulator z maszyny.

ZMIANA TRYBU PRĘDKOŚCI (RYS. M)

Maszyna posiada trzy tryby prędkości. Każdy tryb prędkości ogranicza maksymalną prędkość pilarki łańcuchowej. Tryb prędkości będzie się zmieniał po każdym naciśnięciu przełącznika prędkości łańcucha.

Poziome prędkości na ekranie LCD będą wyświetlać włączony tryb prędkości: jeden pasek oznacza małą prędkość, dwa paski - średnią prędkość i trzy paski - dużą prędkość. Tryb małej prędkości (ECO) daje lepszą kontrolę nad maszyną i zapewnia dłuższy czas pracy na jednym naładowaniu.

M-1	Poziom prędkości	M-7	Poziom prądu obciążenia
M-2	Ikona Bluetooth	M-8	Przycisk reflektora/Bluetooth
M-3	Ikona reflektora	M-9	Przycisk podawania oleju
M-4	Ikona hamulca	M-10	Przełącznik prędkości łańcucha
M-5	Wskaźnik wysokiej temperatury	M-11	Poziom wyjściowy oleju
M-6	Okrągły wskaźnik naładowania	M-12	Wskaźnik niskiego poziomu oleju

PL

UWAGA: W przypadku używania akumulatora EGO o pojemności znamionowej 4,0 Ah lub mniejszej, dostępny jest tylko tryb ECO. Używanie akumulatora EGO o pojemności mniejszej niż 6,0 Ah nie pozwala na osiągnięcie dużych prędkości. Aby uzyskać najlepsze wyniki, zdecydowanie zalecamy używanie akumulatora EGO o pojemności 6,0 Ah (np. BA3360T) lub większej.

UWAGA: Pilarka posiada funkcję pamięci prędkości łańcucha. Przy następnym włączeniu pilarki zostanie aktywowany poprzednio używany tryb prędkości.

UWAGA: Po pociągnięciu włącznika spustowego lub po naciśnięciu przycisku podawania oleju lub przycisku reflektora/Bluetooth zapala się ekran LCD. Domyślnie ekran LCD wyłącza się automatycznie po około 1 sekundzie bezczynności.

UWAGA: Naciśnięcie przełącznika prędkości łańcucha nie spowoduje włączenia ekranu LCD.

POZIOM OBCIĄŻENIA (rys. M)

Poziom obciążenia po prawej stronie ekranu LCD pokazuje bieżące obciążenie urządzenia. Wyższa liczba pasków oznacza wyższe obciążenie, a niższa liczba pasków oznacza niższe obciążenie.

Funkcja ta jest przeznaczona przede wszystkim dla doświadczonych użytkowników pilarek łańcuchowych zasilanych gazem, którzy mogą nie mieć „wycucia”, jak pilarka akumulatorowa zachowuje się pod różnymi obciążeniami. Pomaga użytkownikom monitorować obciążenie, aby uni-

knąć długotrwałej pracy pod dużym obciążeniem, co może spowodować zatrzymanie pilarki łańcuchowej podczas pracy z powodu zbyt wysokiej temperatury.

WSKAŹNIK WYSOKIEJ TEMPERATURY (Rys. M)

Wskaźnik wysokiej temperatury zapala się, gdy temperatura urządzenia przekracza 90°C (194°F) lub temperatura akumulatora przekracza 70°C (158°F) podczas pracy. Obwód zabezpieczający przed przegrzaniem natychmiast wyłączy urządzenie, aby zapobiec jego uszkodzeniu. Zwolnij spust i poczekaj, aż przegrzane urządzenie lub akumulator ostygną, a wskaźnik wysokiej temperatury zgaśnie, a następnie uruchom urządzenie ponownie.

IKONA HAMULCA (Rys. M)

Ikona hamulca pojawia się na ekranie LCD, gdy łopátka hamulca znajduje się w pozycji hamulca.

Ikona hamulca będzie migać, gdy wielokierunkowy system hamowania łańcucha zatrzyma pilarkę. Szczegółowe informacje znajdują się w następnym rozdziale.

WIELOKIERUNKOWY SYSTEM HAMOWANIA ŁAŃCUCHA (Rys. N1 i Rys. N2)

Wielokierunkowy system hamowania łańcucha nie jest przeznaczony do używania jako zamiennik standardowego/tradycyjnego hamulca łańcucha. Podczas pracy pilarką użytkownik nigdy nie powinien polegać na działaniu tej funkcji w celu ochrony przed odbiciem. Należy zawsze postępować zgodnie z instrukcjami bezpieczeństwa dotyczącymi ograniczania odbicia, które podane są w części Ostrzeżenia w niniejszej instrukcji.

Gdy wielokierunkowy system hamowania łańcucha włączy się i zatrzyma pilarkę, na ekranie LCD będzie migać ikona hamulca (Rys. M). Puścić przełącznik spustowy; wyjąć łańcuch tnący i prowadnicę z drewna, a następnie ponownie włączyć pilarkę.

UWAGA: Czujniki wykryją tylko nagły ruch piły w płaszczyźnie prowadnicy (rys. N1). Czujniki nie wykryją nagłego ruchu pilarki na boki (rys. N2) (tj. prostopadle do płaszczyzny prowadnicy).

POZIOM WYJŚCIOWY OLEJU I WSKAŹNIK NISKIEGO POZIOMU OLEJU (Rys. M)

Urządzenie automatycznie smaruje łańcuch. Ta pilarka łańcuchowa umożliwia zmianę dawki oleju za każdym naciśnięciem przycisku podawania oleju.

UWAGA: Dawkę oleju można zmienić tylko wtedy, gdy pilarka łańcuchowa nie pracuje.

Na ekranie LCD zostanie wyświetlona dawka oleju. Jeden

pasek dla niskiej dawki, dwa paski dla średniej dawki i trzy paski dla wysokiej dawki.

Wybierz wyższą dawkę, aby uzyskać większą prędkość łańcucha. Jeśli pilarka łańcuchowa wyschnie podczas pracy, należy zatrzymać silnik i wybrać wyższą dawkę oleju.

Gdy poziom oleju jest niski, na ekranie LCD pojawi się wskaźnik niskiego poziomu oleju nad paskami dawek oleju i dostępna będzie tylko niska dawka. Zatrzymać pilarkę łańcuchową i napełnić zbiornik oleju zgodnie z rozdziałem **NAPEŁNIANIE ZBIORNIKA NA OLEJ SMAREM DO PROWADNIC I ŁAŃCUCHÓW.**

Po napełnieniu zbiornika na olej należy uruchomić pilarkę na około 10 sekund, aby automatyczny system smarowania zaczął działać, a wskaźnik zniknął z ekranu LCD.

UWAGA: Jeśli po wykonaniu powyższych czynności wskaźnik nadal jest widoczny na ekranie LCD, system może być uszkodzony. Należy zaprzestać używania pilarki łańcuchowej i skontaktować się z autoryzowanym centrum serwisowym EGO w celu dokonania naprawy.

REFLEKTOR LED (Rys. O)

Reflektor LED znajduje się w przedniej części obudowy pilarki. Reflektor zapewnia oświetlenie zwiększające widoczność i posiada 2 poziomy jasności.

Aby włączyć reflektor, należy jeden raz nacisnąć przycisk reflektora/Bluetooth (Rys. M). Reflektor włączy się w trybie małej jasności, a na wyświetlaczu LCD pojawi się ikona małej jasności reflektora. Ponowne wciśnięcie przycisku reflektora/Bluetooth spowoduje przełączenie na wysoki poziom jasności, a na wyświetlaczu LCD pojawi się ikona wysokiej jasności reflektora.

Aby wyłączyć reflektor, wystarczy nacisnąć przycisk reflektora/Bluetooth po raz trzeci. Ikona reflektora zniknie z wyświetlacza LCD.

0-1	Ikona reflektora o małej jasności	0-3	Reflektor LED
0-2	Ikona reflektora o wysokiej jasności		

TECHNOLOGIA ŁĄCZNOŚCI

Aby uzyskać informacje na temat pełnej oferty naszych produktów i usług łączących się bezprzewodowo, w tym instrukcje dotyczące podłączania, wystarczy zeskanować poniższy kod QR lub odwiedzić stronę www.egopowerplus.eu/connect.



PRAWIDŁOWE TRZYMANIE UCHWYTÓW (RYS. P1)

- Aby zapewnić optymalne trzymanie i maksymalną ochronę, należy zakładać rękawice antypoślizgowe.
- Położyć pilarkę na twardym, płaskim podłożu i mocno ją chwycić obiema rękoma.
- Należy zawsze chwycić przedni uchwyt lewą ręką, a tylny uchwyt prawą ręką.
- Palce powinny obejmować uchwyt, a kciuk należy umieścić pod przednim uchwytem.

⚠ OSTRZEŻENIE: Nigdy nie należy chwycić odwrotnie (na krzyż) lub ustawiać się w pozycji, w której ciało lub ramię znajdowałoby się na linii łańcucha.

⚠ OSTRZEŻENIE: Nie należy obsługiwać włącznika spustowego lewą ręką i trzymać uchwytu przedniego prawą. Nigdy nie należy pozwalać, aby w czasie używania pilarki jakkolwiek część ciała znajdowała się na linii poruszania się łańcucha (Rys. P2).

PRAWIDŁOWA POZYCJA CIĘCIA (RYS. Q)

- Obiema stopami należy stać na pewnym podłożu, a ciężar ciała rozłożyć równomiernie na obie nogi.
- Lewe ręką powinna być wyprostowana w łokciu. Pomaga to wytrzymać siły powstające wskutek odbicia.
- Ciało użytkownika powinno się zawsze znajdować po lewej stronie linii wyznaczonej przez łańcuch.

INSTRUKCJE DOTYCZĄCE WŁAŚCIWEJ PODSTAWOWEJ TECHNIKI OBALANIA, OKRZESYWANIA I CIĘCIA

⚠ OSTRZEŻENIE: Po włączeniu silnika należy zawsze pilnować, aby stać na pewnym podłożu i pewnie trzymać pilarkę oburącz.

⚠ OSTRZEŻENIE: Gdy łańcuch tnący zatrzyma się wskutek zaklinowania się łańcucha podczas piłowania, należy puścić przełącznik spustowy; wyjąć łańcuch tnący i prowadnicę z drewna, a następnie ponownie włączyć pilarkę.

⚠ OSTRZEŻENIE: Gdy łańcuch tnący zapcha się

wórami, nie należy ciągnąć go ręką. Przypadkowe włączenie pilarki może doprowadzić do poważnych urazów. Docisnąć łańcuch tnący do drewna i przesunąć pilarkę do przodu i do tyłu, aby usunąć zanieczyszczenia. Przed czyszczeniem należy zawsze wyjąć akumulator. Podczas wykonywania czynności przy łańcuchu pilarki należy mieć założone grube rękawice ochronne.

⚠ OSTRZEŻENIE: Nigdy nie należy włączać pilarki, gdy dotyka ona drewna. Przed przyłożeniem pilarki do drewna należy zawsze pozwolić, aby silnik rozprędził się do swoich maksymalnych obrotów.

OBALANIE DRZEWA

- Podczas jednoczesnego wykonywania operacji obalania i cięcia na kawałki przez 2 osoby lub więcej, operację obalania i pilowania na kawałki należy wykonywać w bezpiecznej odległości od siebie, tj. w odległości co najmniej dwukrotnej wysokości obalanego drzewa. Drzew nie wolno obalać w sposób, który zagrażałby jakimkolwiek osobom. Należy pilnować, aby drzewo nie spadło na linie wysokiego napięcia i aby upadając nie spowodowało innych strat materialnych. Jeżeli drzewo dotyka linii wysokiego napięcia, należy o tym natychmiast powiadomić firmę zarządzającą linią.
- Jeżeli obalane drzewo rośnie na zboczu, operator pilarki powinien stać powyżej drzewa, ponieważ po ścięciu drzewo prawdopodobnie potoczyc się w dół.
- Przed rozpoczęciem pilowania należy zaplanować i oczyścić z przeszkód ścieżkę oddalania. Ścieżka oddalania powinna bieć ukośnie w tył względem oczekiwanej linii upadku drzewa, tak jak pokazano na Rys. S.

R-1	Kierunek obalania
R-2	Ścieżka oddalania

- Przed rozpoczęciem obalania należy zastanowić się nad naturalnym nachyleniem drzewa, położeniem większych konarów oraz kierunkiem wiatru. Czynniki te należy uwzględnić przy wyborze kierunku obalania.
- Z drzewa należy usunąć zanieczyszczenia, kamienie, luźną korę, gwoździe, klamry i druty.

Rzaz podcinający

Rzaz należy wykonać na głębokość 1/3 średnicy drzewa, prostopadłe do kierunku obalania, tak jak na Rys. S. Najpierw należy wykonać dolne nacięcia poziome. W ten sposób łańcuch i prowadnica pilarki nie będą się zakleszczały w nacięciu podczas wykonywania drugiego

nacięcia.

S-1	Kierunek obalania	S-3	Rzaz ścinający
S-2	Karb	S-4	Zawias

Rzaz ścinający

- Rzaz ścinający należy wykonać co najmniej 50 mm wyżej niż poziomy rzaz podcinający, tak jak pokazano na Rys. S. Rzaz ścinający powinien być równoległy do poziomego rzazu podcinającego. Rzaz ścinający należy wykonać w taki sposób, aby zostawić dostatecznie dużą część drzewa, która spełni rolę zawiasy. Zawiasa zapobiega obróceniu się drzewa w czasie obalania oraz upadkowi w złym kierunku. Zawiasy nie należy więc przecinać.
- Gdy rzaz ścinający zbliży się do zawiasy, drzewo powinno zacząć upadać. Jeżeli istnieje ryzyko, że drzewo może упаść w złą stronę lub stoczyć się lub zakleszczyć łańcuch pilarki, należy przerwać pilowanie przed dokończeniem rzazu ścinającego oraz użyć klinów (drewnianych, plastikowych lub aluminiowych) w celu otwarcia nacięcia i obalania drzewa w zaplanowaną stronę.
- Gdy drzewo zacznie opadać należy wyjąć pilarkę z nacięcia, wyłączyć silnik, opuścić pilarkę w dół i wycofać się zaplanowaną ścieżką oddalania. Należy uważać na spadające gałęzie i nierówności podłoża.

Okrzesywanie drzewa

Okrzesywanie polega na obcinaniu gałęzi obalonego drzewa. Podczas okrzyszowania należy zostawić konary znajdujące się na dole i podtrzymujące pień nad ziemią. Małe gałęzie należy usuwać jednym cięciem, tak jak pokazano na Rys. T. Naprężone gałęzie należy przecinać od dołu w górę, tak aby uniknąć zakleszczenia się łańcucha.

Przecinanie kłód

Przecinanie kłód to cięcie obalonego pnia na kawałki. Ważne: operator powinien pilnować, aby stać na pewnym podłożu i równomiernie rozkładać swój ciężar na obu nogach. Jeśli to możliwe, kłodę należy unieść i oprzeć na innych kłodach, gałęziach lub klockach drewnianych. Aby cięcie odbyło się bezproblemowo, prosimy pamiętać o następujących prostych zaleceniach:

Gdy kłoda jest podparta na całej długości, tak jak na Rys. U1, należy ją ciąć od góry (nacięcie).

Gdy kłoda jest podparta na jednym końcu, tak jak na Rys. U2, należy najpierw naciąć ją od dołu na 1/3 średnicy (podcięcie). Następnie należy wykonać cięcie kończące od góry (nacięcie), do wcześniejszego podcięcia.

Gdy kłoda jest podparta na obu końcach, tak jak na Rys.

U3, należy najpierw naciąć ją od góry na 1/3 średnicy (nacięcie). Następnie wykonać cięcie kończące od dołu (podcięcie), na dolne 2/3 średnicy, do wcześniejszego nacięcia.

Podczas przecinania kłód na zboczu należy zawsze stać powyżej kłody, tak jak na Rys. V.

Podczas przecinania „do końca”, aby zachować pełną kontrolę, pod koniec cięcia należy zmniejszyć nacisk na ostrze, jednak bez poluzowania uchwytu pilarki. Nie należy dopuszczać do zetknięcia się łańcucha z ziemią. Po wykonaniu cięcia należy odczekać aż łańcuch pilarki zatrzyma się i dopiero potem przemieścić pilarkę. Przy przeniesieniu się od jednego drzewa do drugiego należy zawsze wyłączyć silnik.

KONSERWACJA

⚠️ OSTRZEŻENIE: Do serwisowania należy używać wyłącznie części zamiennych identycznych z oryginalnymi. Używanie jakichkolwiek innych części stwarza ryzyko i może spowodować usterkę produktu. Aby zagwarantować bezpieczeństwo i niezawodność, wszystkie naprawy powinny być wykonywane przez wykwalifikowanych techników serwisu.

⚠️ OSTRZEŻENIE: Aby uniknąć poważnych obrażeń ciała, na czas przeglądu, czyszczenia lub wykonywania prac konserwacyjnych należy zawsze wyjmować z produktu akumulator. Narzędzie akumulatorowe z włożonym akumulatorem może się zawsze przypadkowo włączyć.

⚠️ OSTRZEŻENIE: Podczas czyszczenia pilarki, NIE WOLNO zanurzać jej w wodzie ani innych płynach.

⚠️ OSTRZEŻENIE: Nigdy nie należy dopuszczać do zetknięcia się części plastikowych z substancjami takimi jak płyn hamulcowy, benzyna, produkty ropopochodne, oleje penetrujące itp. Substancje chemiczne mogą uszkodzić, osłabić lub zniszczyć plastik i spowodować poważne obrażenia ciała.

CZYSZCZENIE

- Po każdym użyciu należy miękką szczoteczką usunąć zanieczyszczenia z łańcucha i prowadnicy. Powierzchnię pilarki należy przetrzeć czystą szmatką zwilżoną roztworem delikatnego mydła.
- Zdjąć pokrywę boczną i miękką szczoteczką usunąć zanieczyszczenia z prowadnicy, łańcucha tnącego, zębatki i pokrywy bocznej.
- Zdejmij dolną pokrywę co około 8 godzin pracy, a następnie użyj miękkiej szczotki, aby usunąć

zanieczyszczenia wewnątrz urządzenia i na pokrywie (rys. W).

- Przy wymianie łańcucha tnącego należy zawsze usunąć z rowka prowadnicy drzazgi, wióry i zanieczyszczenia.

KONSERWACJA PROWADNICY

Gdy prowadnica wykazuje ślady zużycia, należy ją wymontować z głowicy napędowej pilarki, odwrócić i zamontować ponownie (Rys. X1). W ten sposób jej zużywanie się rozkłada się równomiernie, przez co czas użytkowania jest maksymalny.

Prowadnicę należy czyścić każdego dnia pracy, jednocześnie należy ją kontrolować pod kątem zużycia i uszkodzenia (Rys. X2). Szczerbienie się lub powstawanie wżerów na szynach prowadnicy jest normalnym procesem zużywania się. Tego typu defekty należy wygładzać pilnikiem natychmiast gdy się pojawią. Prowadnicę z następującymi defektami należy wymienić:

- Zużycie od środka szyn prowadnicy, pozwalające łańcuchowi zsuwać się na boki.
- Wygięta prowadnica.
- Pęknięte lub uszkodzone szyny.
- Rozgięte szyny.

Dodatkowo prowadnica jest wyposażona na końcu w zębatkę (Rys. X3).

Zębatka ta musi być co tydzień smarowana strzykawką olejową – przedłuż to czas użytkowania prowadnicy. Cotygodniowe smarowanie należy wykonywać przez wstrzykiwanie strzykawką olejową oleju do łańcuchów przez otwór do smarowania (Rys. W4). Przekręcić prowadnicę i sprawdzić, czy otwory do smarowania i rowek na łańcuch nie są zanieczyszczone.

X-1	Szyny prowadnicy	X-3	Otwór do smarowania
X-2	Zębatka na końcu prowadnicy		

UWAGA: Aby uzyskać najlepsze wyniki, należy używać smarów zatwierdzonych przez firmę EGO.

TRANSPORT I PRZECHOWYWANIE

Pilarki nie należy chować ani transportować w czasie, gdy urządzenie pracuje. Przed schowaniem lub transportowaniem należy zawsze wyjąć akumulator.

Przed schowaniem lub transportowaniem pilarki należy zawsze założyć osłonę na prowadnicę. Prosimy zachować ostrożność, aby nie skaleczyć się zębami łańcucha.

EGO

Przed schowaniem pilarkę należy dokładnie wyczyścić.
Pilarkę należy przechowywać w suchym pomieszczeniu zamkniętym i/lub niedostępnym dla dzieci.

Wyrób należy chronić przed żrącymi substancjami takimi jak chemia ogrodnicza i sól do usuwania lodu.

OCHRONA ŚRODOWISKA



Urządzeń elektrycznych, zużytych akumulatorów i ładowarki nie należy wyrzucać do zwykłych zmieszanych śmieci domowych!



Produkt należy oddać do zbiórki selektywnej w autoryzowanym punkcie recyklingu. Elektronarzędzia należy oddawać do przyjaznego dla środowiska zakładu recyklingu.

PL

ROZWIĄZYWANIE PROBLEMÓW

⚠ OSTRZEŻENIE: Należy zawsze chronić swoje dłonie i na czas wykonywania prac serwisowych przy pilarence zakładać grube rękawice. Na czas wykonywania czynności serwisowych oraz transportowania pilarki należy zawsze wyjmować akumulator.

PROBLEM	PRZYCZYNA	ROZWIĄZANIE
Silnik nie włącza się.	<ul style="list-style-type: none"> ■ Do pilarki nie włożono akumulatora. ■ Pilarka i akumulator nie kontaktują. ■ Jeśli okrąg wskaźnika paliwa na ekranie LCD miga, oznacza to, że akumulator jest rozładowany. ■ Jeśli na ekranie LCD pojawi się wskaźnik wysokiej temperatury, oznacza to, że akumulator lub pilarka są zbyt gorące. ■ Jeśli na ekranie LCD pojawi się ikona hamulca łańcucha, hamulec łańcucha jest włączony. ■ Zanieczyszczenia w rowku prowadnicy. ■ Zanieczyszczenia w pokrywie bocznej. 	<ul style="list-style-type: none"> ■ Włożyć akumulator do pilarki. ■ Wyjąć akumulator, sprawdzić styki i włożyć akumulator z powrotem. ■ Naładować akumulator. ■ Pozwolić, aby akumulator lub pilarka ostygły do temperatury poniżej 67°C. ■ Pociągnąć dźwignię hamulca łańcucha w tył do uchwytu przedniego, do pozycji roboczej. ■ Docisnąć łańcuch tnący do drewna i przesuwać pilarkę do przodu i do tyłu, aby usunąć zanieczyszczenia. ■ Wyjąć akumulator, następnie zdjąć pokrywę boczną i usunąć zanieczyszczenia.
Trybu prędkości nie można zmieniać.	<ul style="list-style-type: none"> ■ Dźwignia prędkości łańcucha jest zablokowana przez zanieczyszczenia. 	<ul style="list-style-type: none"> ■ Wyczyścić zanieczyszczenia wokół dźwigni prędkości łańcucha.
Pilarka łańcuchowa nieoczekiwanie zatrzymuje się podczas pracy.	<ul style="list-style-type: none"> ■ Pilarka jest przeciążona. ■ Jeśli na ekranie LCD pojawi się wskaźnik wysokiej temperatury, oznacza to, że akumulator lub pilarka są zbyt gorące. ■ Łańcuch tnący zaklinował się w drewnie. ■ Jeśli ikona hamulca łańcucha miga na ekranie LCD, pilarka jest zatrzymywana przez wielokierunkowy system hamowania łańcucha. 	<ul style="list-style-type: none"> ■ Zmniejszyć obciążenie. ■ Pozwolić, aby akumulator lub pilarka ostygły do temperatury poniżej 67°C. ■ Puścić przełącznik spustowy; wyjąć łańcuch tnący i prowadnicę z drewna, następnie ponownie włączyć pilarkę. ■ Puścić przełącznik spustowy; wyjąć łańcuch tnący i prowadnicę z drewna, następnie ponownie włączyć pilarkę.
Silnik pracuje, ale łańcuch nie kręci się.	<ul style="list-style-type: none"> ■ Łańcuch nie jest zaczepiony na zębatce napędowej. 	<ul style="list-style-type: none"> ■ Ponownie założyć łańcuch; dopilnować, aby ogniwa przesuujące łańcucha były całkowicie nałożone na zębatkę.

PROBLEM	PRZYCZYNA	ROZWIĄZANIE
Nie włącza się hamulec łańcucha.	<ul style="list-style-type: none"> ■ Zanieczyszczenia uniemożliwiają pełne przestawienie dźwigni hamulca łańcucha. ■ Być może hamulec łańcucha nie działa prawidłowo. 	<ul style="list-style-type: none"> ■ Usunąć zanieczyszczenia z zewnętrznego mechanizmu hamulca łańcucha. ■ Skontaktować się z punktem obsługi klienta EGO w celu dokonania naprawy.
Pilarka nie tnie prawidłowo.	<ul style="list-style-type: none"> ■ Zbyt słabo naciągnięty łańcuch. ■ Tępy łańcuch. ■ Łańcuch założony do tyłu. ■ Zużyty łańcuch. ■ Suchy lub nadmiernie rozciągnięty łańcuch. ■ Łańcuch poza rowkiem prowadnicy. 	<ul style="list-style-type: none"> ■ Wyregulować napięcie łańcucha zgodnie z instrukcjami podanymi w części „REGULACJA NAPIĘCIA ŁAŃCUCHA”. ■ Naostriżyć łańcuch. ■ Ponownie założyć łańcuch zgodnie z instrukcjami podanymi w części „MONTAŻ/ WYMIANA PROWADNICY I ŁAŃCUCHA”. ■ Wymienić łańcuch zgodnie z instrukcjami podanymi w części „MONTAŻ/ WYMIANA PROWADNICY I ŁAŃCUCHA”. ■ Sprawdzić poziom oleju. Dolać oleju do zbiornika, w razie potrzeby ustawić wyższy poziom dozowania oleju. ■ Ponownie założyć łańcuch zgodnie z instrukcjami podanymi w części „MONTAŻ/ WYMIANA PROWADNICY I ŁAŃCUCHA”.
W czasie zwykłego użytkowania, łańcuch poluzuje się lub spada z prowadnicy.	<ul style="list-style-type: none"> ■ W czasie zwykłej pracy pilarką łańcuch poluzuje się i zwiększa się temperatura łańcucha. ■ Łańcuch nie jest zaczepony na zębatce napędowej. 	<ul style="list-style-type: none"> ■ Napiąć łańcuch zgodnie z instrukcjami podanymi w części „REGULACJA NAPIĘCIA ŁAŃCUCHA”. ■ Ponownie założyć łańcuch zgodnie z instrukcjami podanymi w części „MONTAŻ/ WYMIANA PROWADNICY I ŁAŃCUCHA”.
Prowadnica i łańcuch nagrzewają się i dymią.	<ul style="list-style-type: none"> ■ Jeśli na ekranie LCD pojawi się wskaźnik niskiego poziomu oleju, oznacza to, że zbiornik oleju łańcuchowego jest pusty. ■ Zanieczyszczenia w rowku prowadnicy. 	<ul style="list-style-type: none"> ■ Sprawdzić poziom oleju. W razie potrzeby uzupełnić olej w zbiorniku oleju. ■ Usunąć zanieczyszczenia z rowka.
Na wyświetlaczu LCD pojawia się wskaźnik niskiego poziomu oleju, pomimo tego, że w zbiorniku jest wystarczająca ilość oleju. Lub odwrotnie, nawet jeśli w zbiorniku oleju brakuje oleju, na wyświetlaczu LCD nie wyświetla się wskaźnik niskiego poziomu oleju.	<ul style="list-style-type: none"> ■ Moduł wykrywania poziomu oleju nie wykrył jeszcze rzeczywistego poziomu oleju z powodu resztek oleju lub powietrza w przewodzie olejowym. ■ Usterka modułu wykrywania poziomu oleju. 	<ul style="list-style-type: none"> ■ Należy odczekać kilka minut, aż resztki oleju lub powietrza spłyną z przewodu olejowego.



GWARANCJA

POLITYKA GWARANCYJNA EGO

W celu zapoznania się z wszystkimi warunkami polityki gwarancyjnej EGO prosimy wejść na stronę egopowerplus.eu.

PL

PŘEČTĚTE SI VŠECHNY POKYNY!



PŘEČTĚTE SI NÁVOD K OBSLUZE

VAROVÁNÍ: Z důvodu zajištění bezpečnosti a spolehlivosti musí všechny opravy provádět kvalifikovaný servisní technik.

VAROVÁNÍ: Před použitím tohoto nářadí si přečtěte a seznáme se se všemi bezpečnostními pokyny uvedenými v tomto návodu k obsluze včetně veškerých výstražných symbolů jako např. „NEBEZPEČÍ“, „VAROVÁNÍ“ a „UPOZORNĚNÍ“. Nedodržení níže uvedených pokynů může mít za následek úraz elektrickým proudem, požár a/ nebo vážná zranění osob.



Bezpečnostní upozornění



Používejte ochranu očí



Používejte ochranu hlavy



Dejte si pozor na zpětný ráz řetězové pily a vyvarujte se kontaktu s hrotem lišty



Informace o vodící liště



Garantovaná hladina akustického výkonu. Emise hluku do prostředí dle směrnice Evropského společenství.



Tento výrobek je v souladu s platnými směrnici ES.



Bluetooth®

mm Milimetr

V Napětí

IPX5 Ochrana proti proudu vody

VŠECHNA VAROVÁNÍ A POKYNY USCHOVEJTE PRO BUDOUCÍ POUŽITÍ.

BEZPEČNOSTNÍ SYMBOLY

VAROVÁNÍ: Při použití elektrického nářadí může dojít k vymrštění cizích těles do očí, což může způsobit jejich závažné poškození. Před použitím elektrického nářadí si vždy nasadte ochranné brýle, ochranné brýle s bočními kryty nebo v případě potřeby obličejový štít. Na brýle nebo standardní ochranné brýle s bočními kryty doporučujeme použít ochrannou masku.



Z důvodu snížení nebezpečí úrazu si musí uživatel před použitím tohoto výrobku přečíst návod k obsluze a porozumět mu.



Používejte chrániče sluchu



Používejte ochranné rukavice



Zpětný ráz hrotu vodící lišty



Při práci s řetězovou pilou vždy používejte obě ruce



Odpadní elektrické výrobky se nesmí likvidovat s domovním odpadem. Odevzdejte je do autorizovaného recyklačního střediska.



Tento výrobek je v souladu s platnými předpisy ve Spojeném království.



Stejnosměrný proud

n_0 Rychlost při chodu naprázdno

./min Za minutu

TECHNICKÉ ÚDAJE

Jmenovité napětí	56 V	
Max. Rychlost řetězu	30 m/s	
Rozeč řetězu	8,255 mm (0.325")	
Měrka řetězu	1,3 mm	
Délka vodící lišty	50 cm	
Model řetězové pily	AC2035 (doporučovaný)	
	AC1635, AC1835 (Kompatibilní)	
Model řetězové pily a vodící lišty	AK2035 (doporučovaný)	
	AK1635, AK1835 (Kompatibilní)	
Objem olejové nádrže	250 ml	
Hmotnost (bez akumulátoru, řetězu pily, vodící lišty, bočního krytu, oleje a pláště řetězu)	4,3 kg	
Doporučená provozní teplota	-15°C – 40°C	
Doporučená skladovací teplota	- 20°C – 70°C	
Doporučená teplota nabíjení	5°C – 40°C	
Měřená hladina akustického výkonu L_{WA}	102 dB(A) K=2,3 dB(A)	
Hladina akustického tlaku v místě obsluhy L_{PA}	92 dB(A) K=3 dB(A)	
Zaručená úroveň akustického výkonu L_{WA} (podle 2000/14/ES)	104 dB(A)	
Vibrace a_h	Přední rukojeť	3,3 m/s ² K=1,5 m/s ²
	Zadní rukojeť	1,74 m/s ² K=1,5 m/s ²

- Celková deklarovaná hodnota vibrací byla naměřena podle standardní zkušební metody a lze ji použít ke srovnání s jiným nářadím;
- Celkovou deklarovanou hodnotu vibrací lze použít také k předběžnému stanovení expozičních limitů.

POZNÁMKA: Emise vibrací při konkrétním použití

elektrického nářadí se mohou lišit od deklarované hodnoty, při které se nářadí používá; z důvodu ochrany provozovatele by měl uživatel ve skutečných pracovních podmínkách nosit rukavice a chrániče sluchu.

OBSAH BALENÍ (OBR. A1)

POPIS

SEZNAMTE SE S VAŠÍ ŘETĚZOVOU PILOU (obr. A1)

1. Pilový řetěz
2. Pádlo brzdy řetězu při zpětném rázu
3. Přední rukojeť
4. LCD displej
5. Úroveň rychlosti
6. Ikona Bluetooth
7. Ikona světlometu
8. Ikona brzdy
9. Indikátor vysoké teploty
10. Kruh palivoměru
11. Úroveň zatěžovacího proudu
12. Indikátor nízkého stavu oleje
13. Tlačítko světlometu/Bluetooth
14. Tlačítko přívodu oleje
15. Výstupní hladina oleje
16. Blokovací tlačítko
17. Hlavní vypínač
18. Zadní rukojeť
19. Přehazovačka rychlostí řetězu
20. Tlačítko pro uvolnění akumulátoru
21. Průhled pro kontrolu hladiny oleje
22. Uzávěr olejové nádrže
23. Vodící lišta
24. Mazací otvor
25. Napínací šroub řetězu
26. Boční kryt
27. Pojistné matice
28. Opěrné hroty
29. LED světlomet
30. Kryt řetězu
31. Víceúčelový klíč

GZ

MONTÁŽ

MONTÁŽ/VÝMĚNA LIŠTY A ŘETĚŽU

VAROVÁNÍ: Před montáží nastavte rukojeť brzdy řetězu při zpětném rázu do brzdné polohy.

1. Položte hnací jednotku řetězové pily na bok tak, aby boční kryt směřoval vzhůru (obr. B).
2. Boční kryt sejměte otočením dvou pojistných matic proti směru hodinových ručiček.
3. Otáčením napínacího šroubu řetězu proti směru hodinových ručiček uvolníte napnutí řetězu.
4. Pilový řetěz položte na rovný povrch a vyrovnejte případné ohyby (obr. C).
5. Umístěte hnací články řetězu do drážky vodicí lišty a ze řetězu vytvořte smyčku v zadní části vodicí lišty (obr. D).
6. Držte řetěz v dané poloze na vodicí liště a nasadte smyčku kolem řetězového kola pily (obr. E1).

B-1	Pojistné matice	D-2	Drážka vodicí lišty
B-2	Napínací šroub řetězu	E-1	Hnací kolo
D-1	Hnací články řetězu		

POZNÁMKA: Při nasazování řetězu na vodicí lištu se ujistěte, že po nasazení vodicí lišty na pilu odpovídá orientace řetězu ikoně řetězu a šipce směru otáčení na krytu. Pokud směřují opačnými směry, namontujte pilový řetěz zpět na vodicí lištu tak, aby nože směřovaly stejným směrem (obr. E2).

7. Nasadte boční kryt na skříň řetězové pily a plně utáhněte obě pojistné matice.
8. Otáčejte řetězem ručně, abyste zkontrolovali, zda je řetěz správně sestaven bez vazby. Pokud ano, řetěz a lištu opět sestavte.

POZNÁMKA: Chcete-li prodloužit životnost vodicí lišty, občas ji obraťte.

NASTAVENÍ NAPNUTÍ ŘETĚŽU

- Před nastavením napnutí řetězu vypněte motor a vyjměte akumulátor. Otáčením napínacího šroubu řetězu ve směru nebo proti směru hodinových ručiček nastavte napnutí řetězu (obr. F), dokud řetěz těsně nedosedne na vodicí lištu s hnacími články v drážce vodicí lišty.

- Studený řetěz je správně napnutý, pokud není na spodní straně vodicí lišty prověšený, přiléhá, ale lze jím volně otáčet rukou. Řetěz se musí znovu napnout vždy, když plošky hnacích článků nedosedají do drážky lišty.

- Při běžném provozu pily se teplota řetězu zvyšuje. Hnací články správně napnutého horkého řetězu budou viset přibližně 1,3 mm pod drážkou lišty (obr. G).

POZNÁMKA: Nové řetězy mají tendenci se natáhnout; napnutí řetězu pravidelně kontrolujte a podle potřeby napněte.

POZNÁMKA: Řetěz napnutý za horka může být po vychladnutí příliš napnutý. Před dalším použitím zkontrolujte napnutí za studena.

OBSLUHA

VAROVÁNÍ: Dbejte na to, abyste po seznámení s výrobkem nepřestali být opatrní. Nezapomínejte, že stačí chvíle nepozornosti a může se stát vážný úraz.

VAROVÁNÍ: Nepoužívejte nástavce nebo příslušenství, které nedoporučuje výrobce tohoto výrobku. Použití nedoporučených nástavců a příslušenství může vést k vážnému úrazu.

VAROVÁNÍ: Pokud provádíte montáž dílů, úpravy, čištění, nebo výrobek nepoužíváte, vždy vyjměte akumulátor, aby nedošlo k neúmyslnému spuštění, které může způsobit vážný úraz.

Před každým použitím zkontrolujte celý výrobek, zda není poškozen, nechýbí nebo nejsou uvolněné žádné díly, jako např. vruty, matice, šrouby, uzávěry atd. Pevně utáhněte všechny upevňovací prvky a uzávěry a výrobek nepoužívejte, dokud se nevymění všechny chybějící nebo poškozené díly.

POUŽITÍ

Tento výrobek lze použít k základnímu kácení, odvětvování, prořezávání a řezání řeziva a stromů.

POZNÁMKA: Stroj se smí používat pouze k vyhrazenému účelu. Jakékoliv jiné použití se považuje za zneužití.

DOPLŇOVÁNÍ MAZIVA LIŠTY A ŘETĚŽU

VAROVÁNÍ: V blízkosti oleje nebo řetězové pily nekuřte ani nerozdělávejte oheň. Olej se může rozlít a způsobit požár.

POZNÁMKA: Při nákupu v řetězové pile není olej. Proto je před použitím nezbytné naplnit nádrž olejem. Pila se při práci automaticky maže řetězovým olejem.

1. Položte řetězovou pilu na bok tak, aby uzávěr nádrže směřoval nahoru.
2. Vyčistěte víčko olejové nádrže a její okolí, aby se do olejové nádrže nedostaly žádné nečistoty.
3. Zvedněte půlkruhovou destičku a otočte víčko olejové nádrže proti směru hodinových ručiček (obr. H) pro odšroubování.
4. Opatrně nalijte řetězový olej do nádrže. Nádrž naplňte až po spodní část plnicího hrdla.
5. Setřete přebytečný olej a našroubujte uzávěr.

POZNÁMKA: Často kontrolujte hladinu oleje a když hladina oleje klesne pod rysku minima, olej doplňte. Nikdy řetězovou pilu nepoužívejte, pokud není vidět olej.

INSTALACE/VYJMUTÍ AKUMULÁTORU

POZNÁMKA: Stav nabití akumulátoru je znázorněn kruhem palivoměru na LCD displeji (obr. A1). Když se nabití baterie blíží vyčerpání, kruh bliká. Před prvním použitím akumulátor plně nabijte.

Používejte pouze s akumulátory a nabíječkami EGO uvedenými na obr. A2.

Před prvním použitím akumulátor plně nabijte.

Instalace

Srovnejte žebrování akumulátoru s instalačními drážkami a tlačte akumulátor dokud neuslyšíte „kliknutí“ (obr. I).

Vyjmutí

Stiskněte tlačítko pro uvolnění akumulátoru a vytáhněte jej (obr. J).

SPUŠTĚNÍ/VYPNUTÍ ŘETĚZOVÉ PILY

POZNÁMKA: Před spuštěním řetězové pily zkontrolujte hladinu oleje, ostrost zubů pily a správně fungující pádlo brzdy při zpětném rázu. Kromě toho je nezbytný vyvážený postoj a správná vzdálenost od země.

Spuštění (obr. K)

1. Zatahněte pádlo brzdy při zpětném rázu směrem k přední rukojeti do pracovní polohy (obr. K).
2. Pevně uchopte přední rukojeť levou rukou a zadní rukojeť pravou rukou.

VAROVÁNÍ: Abyste předešli zranění, vždy používejte řetězovou pilu tak, že pravou rukou uchopíte oblast uchopení zadní rukojeti (obr. L).

3. Palcem pravé ruky stiskněte a podržte tlačítko pro odblokování a potom prsty pravé ruky zmáčkněte spouštěcí spínač, abyste pilu spustili (obr. L).

L-1	Oblast uchopení
-----	-----------------

4. Uvolněte blokovací tlačítko, držte stlačený spínač a pokračujte v práci.
5. Čím více je spouštěcí spínač stlačen, tím vyšší je rychlost řetězu. Upravte rychlost tak, aby vyhovovala aktuálnímu úkolu.

VAROVÁNÍ: Nepokoušejte se pilu spouštět, pokud je pilový řetěz v řezu.

Zastavení

1. Přesuňte řetězovou pilu mimo oblast řezu a poté uvolněte spínač, abyste zastavili řetězovou pilu.
2. Zatlačte brzdu proti zpětnému rázu řetězu dopředu do polohy brzdy, abyste zapnuli brzdu řetězu (obr. K).

VAROVÁNÍ: Při přestávce a po skončení práce vždy vyjměte akumulátor ze stroje.

ZMĚNA RYCHLOSTNÍHO REŽIMU (OBR. M)

Tento stroj má tři režimy rychlosti. Každý rychlostní režim omezuje maximální rychlost řetězové pily. Režim rychlosti se změní s každým stisknutím přehazovačky rychlosti řetězu.

Na LCD displeji se zobrazí aktivní režim rychlosti: jeden proužek pro nízkou rychlost, dva proužky pro střední rychlost a tři proužky pro vysokou rychlost. Nízký rozsah otáček (ECO) poskytuje lepší ovládání stroje a delší provozní dobu na jedno nabití.

M-1	Úroveň rychlosti	M-7	Úroveň zatěžovacího proudu
M-2	Ikona Bluetooth	M-8	Tlačítko světlometu/Bluetooth
M-3	Ikona světlometu	M-9	Tlačítko přívodu oleje
M-4	Ikona brzdy	M-10	Přehazovačka rychlosti řetězu
M-5	Indikátor vysoké teploty	M-11	Výstupní hladina oleje
M-6	Kruh palivoměru	M-12	Indikátor nízkého stavu oleje

GZ

POZNÁMKA: Při použití akumulátoru EGO s kapacitou 4,0 Ah nebo nižší je k dispozici pouze režim ECO. Použití akumulátoru EGO s kapacitou nižší než 6,0 Ah vám neumožní dosáhnout vysoké rychlosti. Pro dosažení nejlepšího výkonu důrazně doporučujeme používat akumulátory EGO s kapacitou 6,0 Ah (např. BA3360T) nebo vyšší.

POZNÁMKA: Řetězová pila je vybavena funkcí paměti otáček řetězu. Při dalším zapnutí řetězové pily se aktivuje dříve použitý rychlostní režim.

POZNÁMKA: LCD displej se rozsvítí po stisknutí spínače spouště nebo po stisknutí tlačítka přívodu oleje nebo tlačítka světlomety/Bluetooth. Ve výchozím nastavení se LCD displej automaticky vypne přibližně po 1 sekundě nečinnosti.

POZNÁMKA: Stisknutím přehazovačky rychlosti řetězu se LCD displej nezapne.

ÚROVEŇ ZATÍŽENÍ (obr. M)

Úroveň zatížení na pravé straně LCD displeje ukazuje aktuální zatížení stroje. Vyšší počet proužků znamená vyšší zatížení a nižší počet proužků znamená nižší zatížení.

Tato funkce je určena především zkušeným uživatelům benzinových řetězových pil, kteří nemusí mít „cit“ pro chování akumulátorové pily při různém zatížení. Pomáhá uživatelům sledovat pracovní zatížení, aby se vyhnuli dlouhému provozu při velkém zatížení, které může způsobit, že se řetězová pila během provozu zastaví, protože se příliš zahřeje.

INDIKÁTOR VYSOKÉ TEPLoty (obr. M)

Indikátor vysoké teploty se rozsvítí, když teplota stroje překročí 90°C (194°F) nebo teplota baterie překročí 70°C (158°F) během provozu. Teplotní ochranný obvod stroj okamžitě vypne, aby se zabránilo poškození přehřátím. Uvolněte spoušť a počkejte, až přehřátý stroj nebo akumulátor vychladne a zhasne indikátor vysoké teploty, poté stroj znovu spusťte.

IKONA BRZDY (obr. M)

Když je páka brzdy v poloze brzdy, zobrazí se na LCD displeji ikona brzdy.

Ikona brzdy bliká, když systém všesměrové řetězové brzdy zastaví pilu. Podrobné informace naleznete v následující kapitole.

SYSTÉM VŠESMĚROVÉ ŘETĚZOVÉ BRZDY (obr. N1 a obr. N2)

Systém všesměrové řetězové brzdy není určen jako náhra-

da standardní/tradiční řetězové brzdy. Uživatel by se při práci s řetězovou pilou nikdy neměl spoléhat na tuto funkci ochrany proti zpětnému rázu. Vždy dodržujte bezpečnostní pokyny týkající se zmírnění zpětného rázu, které najdete ve výstražné části této příručky.

Když je aktivován systém všesměrové řetězové brzdy a zastaví pilu, bliká na LCD displeji ikona brzdy (obr. M). Uvolněte spínač, vyjměte pilový řetěz a vodící lištu ze dřeva, a pak řetězovou pilu restartujte.

POZNÁMKA: Senzory detekují pouze náhlý pohyb pily v rovině vodící lišty (obr. N1). Senzory nezaznamenají žádný náhlý pohyb pily do strany (obr. N2) (tj. kolmo k rovině vodící lišty).

VÝSTUPNÍ HLADINA OLEJE A INDIKÁTOR NÍZKÉHO STAVU OLEJE

(Obr. M)

Stroj automaticky maže řetěz. Tato řetězová pila umožňuje měnit výstupní množství oleje každým stisknutím tlačítka přívodu oleje.

POZNÁMKA: Výstupní množství oleje lze měnit pouze tehdy, když řetězová pila není v chodu.

Na LCD displeji se zobrazí výstupní množství oleje. Jeden proužek pro nízké výstupní množství, dva proužky pro střední výstupní množství a tři proužky pro vysoké výstupní množství.

Pro vyšší rychlost řetězu zvolte vyšší výstupní množství. Pokud řetěz pily během práce vyschne, zastavte motor a zvolte vyšší výstupní množství oleje.

Když je hladina oleje nízká, na LCD displeji se objeví indikátor nízkého stavu oleje nad proužky výstupu oleje a k dispozici bude pouze nízké výstupní množství. Zastavte řetězovou pilu a doplňte olejovou nádržku podle kapitoly **PLNĚNÍ OLEJOVÉ NÁDRŽKY MAZIVEM NA LIŠTY A ŘETĚZY**.

Po naplnění olejové nádrže spusťte řetězovou pilu asi na 10 sekund, aby začal pracovat automatický mazací systém a z LCD displeje zmizel indikátor.

POZNÁMKA: Pokud se po provedení výše uvedených kroků na LCD displeji stále zobrazuje indikátor, může být systém poškozen. Přestaňte řetězovou pilu používat a obraťte se na autorizované servisní středisko EGO, které vám zajistí opravu.

LED SVĚTLOMET (obr. O)

LED světlomet je umístěn v přední části krytu řetězové pily. Světlomet poskytuje osvětlení pro lepší viditelnost a má 2 úrovně jasu.

Chcete-li zapnout světlomety, stiskněte jednou tlačítko světlometů/Bluetooth (obr. M). Světlomet se zapne v nízkém stupni jasu a na LCD displeji se zobrazí ikona nízkého jasu světlometu. Opětovným stisknutím tlačítka světlometů/Bluetooth přepněte na vysokou úroveň jasu a na LCD displeji se zobrazí ikona vysokého jasu světlometů.

Chcete-li světlomety vypnout, stiskněte potřetí tlačítko světlometů/Bluetooth a ikona světlometů z LCD displeje zmizí.

0-1	Ikona nízkého jasu světlometů	0-3	LED světlomet
0-2	Ikona vysokého jasu světlometů		

KOMUNIKAČNÍ TECHNOLOGIE

Informace o kompletní nabídce připojovaných výrobků a o službách, včetně pokynů pro připojení, najdete po naskenování QR kódu níže nebo na adrese www.egopowerplus.eu/connect.



SPRÁVNÝ ÚCHOP RUKOJETÍ (OBR. P1)

- Pro dosažení maximální pevnosti úchopu a ochrany používejte protiskluzové rukavice.
- Na pevném a rovném povrchu držte pilu pevně oběma rukama.
- Vždy uchopte přední rukojeť levou rukou a zadní rukojeť pravou rukou.
- Prsty musí obejmout rukojeť s palcem sbaleným pod přední rukojetí.

VAROVÁNÍ: Nikdy nepoužívejte levoruký (překřížený) úchop nebo postoj, při kterém tělo nebo paže kříží dráhu řetězu.

VAROVÁNÍ: Spoušť nespouštějte levou rukou a přední rukojeť nedržte pravou rukou. Nikdy nedovolte, aby jakákoliv část vašeho těla byla při používání pily v linii jejího řezu (obr. P2).

SPRÁVNÝ POSTOJ PŘI ŘEZÁNÍ (OBR. Q)

- Obě chodidla musí stát na pevné zemi s váhou rovnoměrně rozloženou.

- Levá paže musí být natažená se zafixovaným loktem. Pomáhá to odolávat silám generovaným zpětným rázem.
- Vaše tělo musí být vždy vlevo od dráhy řetězu.

POKYNY KE SPRÁVNÝM TECHNIKÁM PRO ZÁKLADNÍ KÁCENÍ, ODVĚTVOVÁNÍ A PROŘEZÁVÁNÍ

VAROVÁNÍ: Když je motor v chodu, vždy dbejte na pevný postoj a pevně držte řetězovou pilu oběma rukama.

VAROVÁNÍ: Pokud se pilový řetěz při řezání zastaví v důsledku sevření, uvolněte spínač; vyjměte pilový řetěz a vodící lištu ze dřeva, a pak řetězovou pilu restartujte.

VAROVÁNÍ: Netahejte za pilový řetěz rukou, pokud je zablokovaný pilinami. Hrozí riziko vážného úrazu, pokud se řetězová pila neúmyslně spustí. Zatlačte pilový řetěz proti dřevu a pohybujte řetězovou pilou tam a zpět, dokud se úlomky neuvolní. Před čistěním vždy vyjměte akumulátor. Při manipulaci s pilovým řetězem noste odolné ochranné rukavice.

VAROVÁNÍ: Nikdy řetězovou pilu nespouštějte, pokud je ve styku se dřevem. Než přiložíte řetězovou pilu ke dřevu, nechte ji roztočit na plné otáčky.

GZ

KÁCENÍ STROMU

- Pokud rozřezávání a kácení provádí dvě a více osob současně, musí být kácení oddělené od rozřezávání vzdáleností aspoň dvojnásobku výšky káceného stromu. Stromy se nesmí kácet způsobem, který by ohrozil některou z osob, zasáhl síťové vedení nebo způsobil škodu na majetku. Pokud se strom dotkne inženýrských sítí, je třeba neprodleně informovat provozovatele.
- Obsluha řetězové pily musí stát na vyvýšené straně, jelikož je pravděpodobné, že se strom svalí nebo sesune po skácení směrem ze svahu.
- Před začátkem kácení se musí naplánovat a vyčistit úniková cesta podle potřeby. Úniková cesta musí směřovat vzad a příčně k předpokládané dráze dopadu, jak je znázorněno na obr. R.

R-1	Směr kácení
R-2	Bezpečná úniková cesta

- Před začátkem kácení posuďte, kterým směrem strom spadne, a zohledněte přitom přirozený sklon stromu, umístění větších větví a směr větru.

- Ze stromu odstraňte nečistoty, kameny, uvolněnou kůru, hřebíky, sponky a dráty

Spodní zářez

Provedte zářez do 1/3 průměru stromu kolmo ke směru pádu, jak je znázorněno na obr. S. Nejprve provedte dolní vodorovný zářez. Pomůže vám to zabránit sevření pilového řetězu nebo vodicí lišty při druhém zářezu.

S-1	Směr pádu	S-3	Hlavní řez
S-2	Zářez	S-4	Závěs

Hlavní řez

- Hlavní řez provedte aspoň o 50 mm výše než vodorovný zářez, jak je znázorněno na obr. S. Dbejte, aby byly hlavní řez rovnoběžný s vodorovným zářezem. Hlavní řez vedte tak, aby zůstal dostatek dřeva, které může sloužit jako závěs. Dřevěný závěs zabraňuje stromu, aby se při pádu zkroutil špatným směrem. Neřežte přes závěs.
- Když se hlavní zářez dostane do blízkosti závěsu, měl by strom začít padat. Pokud existuje možnost, že by strom nemusel spadnout v požadovaném směru, nebo by se mohl zakymáčet a zaklínit pilový řetěz, zastavte řezání dřív, než je hlavní řez dokončen a k rozveření řezu a poražení stromu v požadovaném směru použijte dřevěné, plastové nebo hliníkové klíny.
- Jakmile začne strom padat, vyjměte řetězovou pilu z řezu, vypněte motor, položte řetězovou pilu a použijte plánovanou únikovou cestu. Dávejte pozor na padající vrchní větve a sledujte cestu.

Odvětvování stromu

Odvětvování je odstraňování větví z padlého stromu. Při odvětvování ponechte větší spodní větve jako oporu kmene nad zemí. Malé větve odstraňte jedním řezem, jak je znázorněno na obr. T. Větve pod napětím by se měly řezat zdola nahoru, aby nedošlo k zaklínění řetězové pily.

Rozřezávání kmene

Rozřezávání je řezání kmene do délek. Je třeba dbát, aby byl váš postoj pevný a váha rovnoměrně rozložena na obě nohy. Pokud lze, měl by být kmen zdvižený a podepřený s pomocí větví, kmenů nebo špalků. Dodržujte jednoduché pokyny pro snadné řezání.

Když je strom podepřený po celé své délce, jak je znázorněno na obr. U1, řeže se od vrcholu (řezání shora).

Pokud je strom podepřený na jednom konci, jak je znázorněno na obr. U2, nařizněte 1/3 průměru zespodu (řezání zdola). Pak proveďte závěrečný řez shora tak, aby

se profal s prvním řezem.

Pokud je strom podepřený na obou koncích, jak je znázorněno na obr. U3, nařizněte 1/3 průměru shora (řezání shora). Pak proveďte závěrečný řez zdola v dolních 2/3 tak, aby se profal s prvním řezem.

Při rozřezávání ve svahu vždy stůjte na vyvýšené straně kmene, jak je znázorněno na obr. V.

Abyste při „průřezu“ neztratili kontrolu, uvolněte před koncem řezný tlak, aniž byste uvolnili úchop rukojeti řetězové pily. Dbejte, aby se řetěz nedostal do styku se zemí. Než po dokončení řezu řetězovou pilu přesunete, počkejte, až se pilový řetěz zastaví. Před přesunem od jednoho stromu k druhému vždy vypněte motor.

ÚDRŽBA

VAROVÁNÍ: Při opravách používejte pouze originální náhradní díly. Použití jiných dílů může představovat riziko nebo může způsobit poškození výrobku. Z důvodu zajištění bezpečnosti a spolehlivosti musí všechny opravy provádět kvalifikovaný servisní technik.

VAROVÁNÍ: Aby nedošlo k vážnému úrazu, vždy vyjměte před kontrolou, čištěním nebo údržbou z výrobku akumulátor. Akumulátorové nářadí s vloženým akumulátorem je vždy zapnuté a může se neúmyslně spustit.

VAROVÁNÍ: Při čištění NEPONOŘUJTE řetězovou pilu do vody ani jiných kapalin.

VAROVÁNÍ: Dbejte, aby nikdy nedošlo ke styku plastových částí s brzdovými kapalinami, benzinem, ropnými produkty, penetračními oleji atd. Chemické látky mohou poškodit, zeslabit nebo poškodit plast, což může vést k vážnému úrazu.

ČIŠTĚNÍ

- Po každém použití odstraňte nečistoty z řetězu a vodicí lišty měkkým kartáčem. Otríte povrch řetězové pily čistým hadrem navlhčeným ve slabém mýdlovém roztoku.
- Sejměte boční kryt, a pak použijte měkký kartáč k odstranění nečistot z vodicí lišty, pilového řetězu, řetězového kola a bočního krytu.
- Přibližně každých 8 hodin provozu sejměte spodní kryt a poté měkkým kartáčem odstraňte nečistoty uvnitř stroje a na krytu (obr. W).
- Při výměně pilového řetězu vždy odstraňte z drážky vodicí lišty dřevěné štěpky, piliny a nečistoty.

ÚDRŽBA VODICÍ LIŠTY

Pokud vodící lišta vykazuje známky opotřebení, demontujte ji z hnací jednotky řetězové pily, obraťte ji a namontujte zpět (obr. X1). Tím se rozloží opotřebení a maximalizuje životnost lišty.

Lištu čistěte každý den, kdy se používá, a kontrolujte její opotřebení a poškození (obr. X2). Zkosení nebo otřepy vodících lišt jsou běžným procesem opotřebení lišty. Tyto závady odstraňte pilníkem, jakmile se objeví. Lištu, u které se projeví jedna z následujících poruch, musíte vyměnit.

- Opotřebení uvnitř vodících kolejnic, které umožňuje řetězu posun do boku.
- Ohnutá vodící lišta.
- Prasklé nebo zlomené kolejnice.
- Roztažené kolejnice.

Vodící lišta má dále na hrotu řetězové kolo (obr. X3).

Řetězové kolo se musí jednou týdně mazat mazací stříkačkou, aby se prodloužila životnost vodící lišty. Jednou týdně použijte mazací stříkačku k mazání řetězovým olejem s pomocí mazacího otvoru (obr. W4). Otočte vodící lištu a zkontrolujte, zda jsou mazací otvory a drážka řetězu čisté.

X-1	Kolejničky lišty	X-3	Mazací otvor
X-2	Řetězové kolo v hrotu vodící lišty		

POZNÁMKA: Pro dosažení nejlepších výsledků používejte autorizovaná maziva EGO.

PŘEPRAVA A SKLADOVÁNÍ

Řetězovou pilu nepřpravujte ani neskladujte, když je motor v chodu. Před uskladněním nebo přepravou vždy vyjměte akumulátor.

Před uskladněním nebo přepravou řetězové pily vždy nasadte na vodící lištu a řetěz kryt. Dávejte pozor na ostré zuby řetězu.

Před uskladněním řetězovou pilu řádně vyčistěte.

Řetězovou pilu skladujte v interiéru, na suchém místě, které je zamknuté anebo je mimo dosah dětí.

Uchovávejte v bezpečné vzdálenosti od korozivních látek, jako jsou chemické látky a rozmrazovací soli.

OCHRANA ŽIVOTNÍHO PROSTŘEDÍ



Elektrické zařízení, použité akumulátory a nabíječku nevhazujte do domovního odpadu!

Předějte tento výrobek autorizované recyklační společnosti ke tříděnému sběru. Elektrické nářadí musí být vráceno do zařízení pro ekologickou recyklaci.

ODSTRAŇOVÁNÍ ZÁVAD

⚠ VAROVÁNÍ: Při údržbě pilového řetězu vždy chraňte ruce s pomocí pevných rukavic. Při servisu nebo přepravě řetězové pily vždy vyjměte akumulátor.

PROBLÉM	PŘÍČINA	ŘEŠENÍ
Motor neběží.	<ul style="list-style-type: none"> ■ K řetězové pile není připojen akumulátor. ■ Bez elektrického kontaktu mezi pilou a akumulátorem. ■ Pokud bliká kruh palivoměru na LCD displeji, je akumulátor vybitý. ■ Pokud se na LCD displeji zobrazí indikátor vysoké teploty, je akumulátor nebo řetězová pila příliš horká. ■ Pokud se na LCD displeji zobrazí ikona brzdy řetězu, je brzda řetězu zapnutá. ■ Nečistoty v drážce lišty. ■ Nečistoty v bočním krytu. 	<ul style="list-style-type: none"> ■ Nasadte akumulátor na řetězovou pilu. ■ Vyjměte akumulátor, zkontrolujte póly a znovu jej nainstalujte. ■ Nabijte akumulátor. ■ Nechejte akumulátor nebo řetězovou sekačku zchladnout, dokud teplota neklesne pod 67°C. ■ Zatáhněte pádlo brzdy řetězu při zpětném rázu zpět směrem k přední rukojeti do pracovní polohy. ■ Zatlačte pilový řetěz proti dřevu a pohybujte řetězovou pilou tam a zpět, dokud se úločky neuvolní. ■ Vyjměte akumulátor, sejměte boční kryt a odstraňte nečistoty.
Rychlostní režim nelze změnit.	<ul style="list-style-type: none"> ■ Přehazovačka řetězu je zaseknutá nečistotami. 	<ul style="list-style-type: none"> ■ Vyčistěte okolí přehazovačky řetězu od nečistot.
Řetězová pila se během provozu neočekávaně zastaví.	<ul style="list-style-type: none"> ■ Řetězová pila je přetížená. ■ Pokud se na LCD displeji zobrazí indikátor vysoké teploty, je akumulátor nebo řetězová pila příliš horká. ■ Řetězová pila se zablokovala ve dřevě. ■ Pokud na LCD displeji bliká ikona brzdy řetězu, je pila zastavena systémem všesměrové řetězové brzdy. 	<ul style="list-style-type: none"> ■ Snižte zatížení. ■ Nechejte akumulátor nebo řetězovou sekačku zchladnout, dokud teplota neklesne pod 67°C. ■ Uvolněte spínač; vyjměte pilový řetěz a vodící lištu ze dřeva, a pak řetězovou pilu restartujte. ■ Uvolněte spínač; vyjměte pilový řetěz a vodící lištu ze dřeva, a pak řetězovou pilu restartujte.
Motor běží, ale řetěz se netočí.	<ul style="list-style-type: none"> ■ Řetěz není nasazený na hnacím řetězovém kole. 	<ul style="list-style-type: none"> ■ Řetěz znovu nainstalujte a dbejte, aby hnací články řetězu plně dosedly na řetězové kolo.
Brzda řetězu se neaktivuje.	<ul style="list-style-type: none"> ■ Nečistoty brání úplnému pohybu pádla brzdy řetězu při zpětném rázu. ■ Možné poruchy brzdy řetězu 	<ul style="list-style-type: none"> ■ Odstraňte nečistoty z externího mechanismu brzdy řetězu. ■ Pro pomoc kontaktujte zákaznický servis společnosti EGO.

PROBLÉM	PŘÍČINA	ŘEŠENÍ
Řetězová pila neřeže správně.	<ul style="list-style-type: none"> ■ Nedostatečně napnutý řetěz. ■ Tupý řetěz. ■ Obráceně instalovaný řetěz. ■ Opotřeбенý řetěz. ■ Suchý nebo příliš napnutý řetěz. ■ Řetěz mimo drážku lišty. 	<ul style="list-style-type: none"> ■ Znovu nastavte napnutí řetězu podle pokynů v části: „NASTAVENÍ NAPNUTÍ ŘETĚZU“ ■ Naostřete řetěz. ■ Znovu nainstalujte pilový řetěz podle části „MONTÁŽ/VÝMĚNA LIŠTY A ŘETĚZU“. ■ Řetěz vyměňte podle pokynů v části: „MONTÁŽ/VÝMĚNA LIŠTY A ŘETĚZU“ ■ Zkontrolujte hladinu oleje. Doplňte olejovou nádrž a v případě potřeby zvolte větší objem oleje. ■ Řetěz znovu nainstalujte podle pokynů v části: „MONTÁŽ/VÝMĚNA LIŠTY A ŘETĚZU“
Řetěz se při běžném používání povolí nebo spadne z vodící lišty.	<ul style="list-style-type: none"> ■ Řetěz se povoluje, jak se teplota řetězu zvyšuje během normálního provozu pily. ■ Řetěz není nasazený na hnacím řetězovém kole. 	<ul style="list-style-type: none"> ■ Napněte řetěz podle následující části „NASTAVENÍ NAPNUTÍ ŘETĚZU“. ■ Řetěz znovu nainstalujte podle pokynů v části: „MONTÁŽ/VÝMĚNA LIŠTY A ŘETĚZU“
Lišta a řetěz se zahřívají a kouří se z nich.	<ul style="list-style-type: none"> ■ Pokud se na LCD displeji zobrazí indikátor nízkého stavu oleje, je nádržka na řetězový olej prázdná. ■ Nečistoty v drážce vodící lišty. 	<ul style="list-style-type: none"> ■ Zkontrolujte hladinu oleje. V případě potřeby doplňte olejovou nádrž. ■ Odstraňte nečistoty z drážky.
Na displeji LCD se zobrazí ukazatel nedostatku oleje, přestože je v olejové nádrži dostatek oleje. Nebo i když je v olejové nádrži dostatek oleje, na LCD displeji se indikátor nízkého stavu oleje nezobrazí.	<ul style="list-style-type: none"> ■ Komponenta detekce hladiny oleje ještě nezjistila skutečnou hladinu oleje kvůli zbytkovému oleji nebo vzduchu v olejové trubici. ■ Porucha komponenty pro detekci hladiny oleje. 	<ul style="list-style-type: none"> ■ Počkejte několik minut, až z olejové trubice vyteče zbytkový olej nebo vzduch.

ZÁRUKA

ZÁRUČNÍ PODMÍNKY SPOLEČNOSTI EGO

Úplné záruční podmínky společnosti EGO naleznete na webové stránce egopowerplus.eu.

PREČÍTAJTE SI VŠETKY POKYNY!



PREČÍTAJTE SI NÁVOD NA OBSLUHU

VAROVANIE: Pre zaistenie bezpečnosti a spoľahlivosti je nevyhnutné, aby všetky opravy vykonával len kvalifikovaný servisný technik.

VAROVANIE: Pred použitím tohto nástroja si prečítajte a pochopte všetky bezpečnostné pokyny v tomto návode na obsluhu, vrátane všetkých bezpečnostných výstražných symbolov, ako sú „**NEBEZPEČENSTVO**“, „**VAROVANIE**“ a „**UPOZORNENIE**“. Nedodržanie nižšie uvedených pokynov môže mať za následok úraz elektrickým prúdom, požiar a/alebo vážne zranenie.



Bezpečnostné upozornenie



Používajte ochranu zraku.



Používajte ochranu hlavy.



Dajte pozor na spätný ráz reťazovej pily a vyvarujte sa kontaktu s hrotom lišty



Informácie o vodiacej lište



Garantovaná hladina akustického výkonu. Emisie hluku do prostredia podľa smernice Európskeho spoločenstva.



Tento výrobok je v súlade s platnými smernicami ES.



Bluetooth®

mm Milimeter

V Napätie

IPX5 Ochrana pred prúdom vody

ODLOŽTE SI VŠETKY VAROVANIA A POKYNY PRE BUDÚCE POUŽITIE.

BEZPEČNOSTNÉ SYMBOLY

VAROVANIE: Prevádzka akéhokoľvek elektrického náradia môže viesť k vyršteniu cudzích predmetov do vašich očí, čo môže spôsobiť vážne poškodenie zraku. Predtým, než začnete používať elektrické náradie, si vždy nasadte ochranné okuliare alebo ochranné okuliare s postrannými krytmi a prípadne celotvárový štít. Odporúčame použiť bezpečnostnú masku so širokým priezorom na okuliare alebo štandardné bezpečnostné okuliare s postrannými krytmi.



Ak chcete znížiť riziko zranenia, používateľ musí pred použitím tohto výrobku prečítať a pochopiť návod na obsluhu.



Používajte ochranu sluchu.



Používajte ochranné rukavice.



Spätný náraz špičky vodiacej lišty



Reťazovú pilu používajte vždy obojučne



Odpadové elektrické výrobky sa nesmú likvidovať spolu s domovým odpadom. Odovzdajte do autorizovaného recyklačného strediska.



Tento výrobok je v súlade s platnou legislatívou Spojeného kráľovstva.



Jednosmerný prúd

n_0 Rýchlosť bez zataženia

./min Za minútu

SK

TECHNICKÉ ÚDAJE

Menovité napätie	56V	
Max. Rýchlosť reťaze	30 m/s	
Výška reťaze	8,255 mm (0.325")	
Meradlo reťaze	1,3 mm	
Dĺžka vodiacej lišty	50 cm	
Model reťazovej pily	AC2035 (odporúčané)	
	AC1635, AC1835 (kompatibilné)	
Model reťazovej pily a vodiacej lišty	AK2035 (odporúčané)	
	AK1635, AK1835 (kompatibilné)	
Objem olejovej nádrže reťaze	250 ml	
Hmotnosť (bez akumulátora, reťaze pily, vodiacej lišty, bočného krytu, oleja a plášťa reťaze)	4,3 kg	
Odporúčaná prevádzková teplota	-15°C - 40°C	
Odporúčaná skladovacia teplota	- 20°C - 70°C	
Odporúčaná teplota nabíjania	5°C - 40°C	
Nameraná hladina akustického výkonu L_{WA}	102 dB(A)	
	K=2,3 dB(A)	
Hladina akustického tlaku na mieste obsluhy L_{PA}	92 dB(A)	
	K=3 dB(A)	
Zaručená úroveň akustického výkonu L_{WA} (podľa 2000/14/ES)	104 dB(A)	
Vibrácie a_h	Predná rukoväť	3,3 m/s ² K=1,5 m/s ²
	Zadná rukoväť	1,74 m/s ² K=1,5 m/s ²

- Deklarovaná celková hodnota vibrácií bola meraná v súlade so štandardnou skúšobnou metódou a môže sa použiť na vzájomné porovnanie jednotlivých náradí;
- Uvádzaná celková hodnota vibrácie sa môže použiť aj na predbežný odhad expozície.

POZNÁMKA: Emisia vibrácií pri skutočnom používaní náradia sa môže odlišovať od deklarovanej hodnoty, pri akej sa nástroj používa; za účelom ochrany obsluhy má používateľ v skutočných podmienkach použitia nosiť

rukavice a ochranu sluchu.

OBSAH BALENIA (OBR. A1)

POPIS

SPOZNAJTE REŤAZOVÚ PÍLU (obr. A1)

1. Reťaz pily
2. Lopátka reťazovej brzdy
3. Predná rukoväť
4. LCD obrazovka
5. Úroveň rýchlosti
6. Ikona Bluetooth
7. Ikona svetlometu
8. Ikona brzdy
9. Indikátor vysokej teploty
10. Kruh palivomeru
11. Úroveň Zatažovacieho Prúdu
12. Indikátor nízkej hladiny oleja
13. Tlačidlo svetlometu/Bluetooth
14. Tlačidlo prívodu oleja
15. Úroveň výstupu oleja
16. Zaisťovacie tlačidlo
17. Hlavný vypínač
18. Zadná rukoväť
19. Prehadzovač rýchlosť reťaze
20. Tlačidlo uvoľnenia akumulátora
21. Okienko na kontrolu oleja
22. Uzáver olejovej nádrže
23. Vodiaca lišta
24. Otvor na mazanie
25. Skrutka na napínanie reťaze
26. Bočný kryt
27. Poistné matice
28. Oporné hroty
29. LED svetlomet
30. Kryt reťaze
31. Kombinovaný kľúč

MONTÁŽ

MONTÁŽ/VÝMENA LIŠTY A REŤAZE

VAROVANIE: Pred montážou nastavte rukoväť brzdy spätného rázu reťaze do brzdného polohy.

1. Hlavu reťazovej pily položte na bok bočným krytom

SK

smerom nahor (obr. B).

2. Odstráňte bočný kryt otočením dvoch poistných matíc proti smeru hodinových ručičiek.
3. Otočením napínacej skrutky reťaze proti smeru hodinových ručičiek uvoľnite napnutie reťaze.
4. Položte reťaz píly do slučky na rovný povrch a vyrovnajte prípadné záhyby (obr. C).
5. Umiestnite jednotlivé vodiace články reťaze do drážky vodiacej lišty a urobte slučku reťaze na zadnej strane vodiacej lišty (obr. D).
6. Reťaz držte v polohe na vodiacej lište a umiestnite slučku okolo reťazového kolesa píly (obr. E1).

B-1	Poistné matice	D-2	Drážka vodiacej lišty
B-2	Skrutka na napínanie reťaze	E-1	Hnacie ozubené koleso
D-1	Vodiace články reťaze		

POZNÁMKA: Pri nasadzovaní reťaze píly na vodiacu lištu sa uistite, že po namontovaní vodiacej lišty na pílu súhlasí ikona rezania a šípka smeru otáčania na kryte. Ak smerujú opačným smerom, namontujte reťaz píly na vodiacu lištu tak, aby zuby smerovali rovnakým smerom (obr. E2).

7. Nasadíte bočný kryt na skriňu reťazovej píly a úplne utiahnite obe poistné matice.
8. Otočte reťaz ručne, aby ste skontrolovali, či je reťaz správne zostavená bez viaznutia. V opačnom prípade znova namontujte reťaz a lištu.

POZNÁMKA: Ak chcete predĺžiť životnosť lišty, občas ju obráťte.

NASTAVENIE NAPNUTIA REŤAZE

- Pred nastavením napnutia reťaze zastavte motor a vyberte akumulátor. Otáčaním napínacej skrutky reťaze v smere alebo proti smeru hodinových ručičiek nastavte napnutie reťaze (obr. F), kým reťaz tesne nedosadne na vodiacu lištu s vodiacimi článkami v drážke vodiacej lišty.
- Studená reťaz je správne napnutá, ak nie je na spodnej strane vodiacej lišty žiaden priestor a reťaz prilieha, ale zároveň sa otáča bez viaznutia. Reťaz sa musí napínať vždy, keď plôšky vodiacich článkov nezapadajú do drážky lišty.
- Počas bežného používania píly sa zvyšuje teplota reťaze. Vodiace články správne napnutej teplej

reťaze budú prevísať približne 1,3 mm od vodiacej lišty (obr. G).

POZNÁMKA: Nové reťaze majú tendenciu sa natiahnuť; často kontrolujte napnutie reťaze a v prípade potreby ju napnite.

POZNÁMKA: Reťaz, ktorá bola napnutá za tepla, môže byť po ochladnutí príliš tesná. Pred ďalším použitím skontrolujte napnutie reťaze za studena.

OBSLUHA

VAROVANIE: Nedovoľte, aby dlhodobá skúsenosť práce s týmto výrobkom spôsobila vašu neopatrnosť. Pamätajte na to, že aj chvíľková neopatrnosť stačí na to, aby spôsobila vážny úraz.

VAROVANIE: Nepoužívajte žiadne doplnky alebo príslušenstvo, ak ho neodporúča výrobca uvedeného výrobku. Používanie nástavcov alebo príslušenstva, ktoré nie je odporúčané, môže viesť k vážnemu zraneniu osôb.

VAROVANIE: Pri montáži dielov, zmene nastavenia, čistení a ak náradie nepoužívate, vždy vyberte akumulátor zo stroja, aby ste zabránili náhodnému spusteniu, ktoré by mohlo spôsobiť vážne zranenia.

Pred každým použitím skontrolujte, či na zariadení nie sú poškodené, chýbajúce alebo uvoľnené časti, napríklad skrutky, matice, závitky, uzávery, atď. Bezpečne utiahnite všetky upevňovacie prvky a uzávery a nepoužívajte tento výrobok, kým nebudú vymenené všetky chýbajúce alebo poškodené diely.

POUŽITIE

Tento výrobok môžete používať na jednoduché stínanie, osekávanie vetiev, prerezávanie a výrub reziva a stromov.

POZNÁMKA: Stroj sa smie používať iba na predpísané účely. Každé iné použitie sa považuje za prípad nevhodného použitia.

PLNENIE MAZIVA LIŠTY A REŤAZE

VAROVANIE: Nefajčite ani nepoužívajte oheň alebo plameň v blízkosti oleja alebo reťazovej píly. Olej sa môže rozliať a spôsobiť požiar.

POZNÁMKA: Pri kúpe nie je v reťazovej píle olej. Je nevyhnutné, aby ste pred použitím naplnili nádrž olejom. Reťaz je počas používania automaticky mazaná olejom.

1. Reťazovú pílu položte na bok tak, aby uzáver nádrže smeroval nahor.

2. Vyčistite veko olejovej nádrže a jej okolie, aby sa žiadna špina nedostala do olejovej nádrže.
3. Zdvihnite polkruhovú doštičku a otočením proti smeru hodinových ručičiek odstráňte uzáver olejovej nádrže (obr. H).
4. Lištový a reťazový olej opatrne nalejte do nádrže. Naplňte po spodok plniaceho hrdla.
5. Utrite prebytočný olej a znovu nasadte uzáver.

POZNÁMKA: Hladinu oleja často kontrolujte a doplňujte, keď klesne pod minimálnu rysku. Nikdy nepoužívajte motorovú pílu, ak nie je viditeľný olej.

PRIPOJENIE/ODPOJENIE AKUMULÁTORA

POZNÁMKA: Kruh palivomera na LCD obrazovke ukazuje úroveň nabitia batérie (obr. A1). Kruh bude blikať, keď sa akumulátor takmer vybije. Pred prvým použitím akumulátor úplne nabite.

Používajte iba s akumulátormi EGO a nabíjačkami uvedenými na obr. A2.

Pred prvým použitím úplne nabite.

Pripojenie

Zarovnajte rebrá akumulátora s montážnymi otvormi a zatlačte akumulátor, kým nebudete počuť „cvaknutie“ (obr. I).

Odpojenie

Stlačte tlačidlo na uvoľnenie akumulátora a vytiahnite akumulátor (obr. J).

ZAPNUTIE/ZASTAVENIE REŤAZOVEJ PÍLY

POZNÁMKA: Pred spustením reťazovej pily skontrolujte hladinu oleja, ostrosť zubov pily a správne fungujúcu lopatku spätnej brzdy. Okrem toho je nevyhnutné udržiavať pevný postoj a správnu vzdialenosť od zeme.

Spustenie (obr. K)

1. Potiahnite lopatku reťazovej brzdy smerom k prednej rukoväti do prevádzkovej polohy (obr. K).
2. Pevne uchopte prednú rukoväť ľavou rukou a zadnú rukoväť pravou rukou.

VAROVANIE: Aby ste predišli poraneniu, reťazovú pílu vždy používajte pravou rukou, ktorá sa drží v oblasti uchopenia zadnej rukoväte (obr. L).

3. Stlačte a podržte zaistovacie tlačidlo palcom pravej ruky a potom stlačte hlavný spínač prstami pravej ruky, aby ste spustili pílu (obr. L).

L-1	Oblasť uchopenia
-----	------------------

4. Uvoľnite zaistovacie tlačidlo a stále držte stlačený hlavný vypínač pre pokračovanie v činnosti.
5. Čím viac je hlavný spínač stlačený, tým väčšia je rýchlosť reťaze. Nastavte rýchlosť tak, aby vyhovovala vykonávanej úlohe.

VAROVANIE: Nepokúšajte sa zapnúť pílu, keď je reťaz pily v reze.

Vypnutie

1. Odsuňte reťazovú pílu z oblasti rezania a potom uvoľnite hlavný spínač, aby ste zastavili reťazovú pílu.
2. Zatlačte lopatku reťazovej brzdy dopredu do polohy brzdy, aby sa aktivovala brzda reťaze (obr. K).

VAROVANIE: Počas pracovných prestávok a po ukončení práce vždy vyberte zo stroja akumulátor.

ZMENA REŽIMU RÝCHLOSTI (OBR. M)

Stroj má tri režimy rýchlosti. Každý rýchlostný režim obmedzuje maximálnu rýchlosť reťazovej pily. Režim rýchlosti sa zmení pri každom stlačení prehadzovača rýchlosti reťaze.

Na LCD obrazovke sa zobrazia rýchlostné pružky pre aktívny režim rýchlosti: jeden pružok pre nízku rýchlosť, dva pružky pre strednú rýchlosť a tri pružky pre vysokú rýchlosť. Režim nízkych otáčok (ECO) poskytuje lepšiu kontrolu nad strojom a dlhší prevádzkový čas na jedno nabitie.

M-1	Úroveň rýchlosti	M-7	Úroveň zaťažovacieho Prúdu
M-2	Ikona Bluetooth	M-8	Tlačidlo svetlometu/Bluetooth
M-3	Ikona svetlometu	M-9	Tlačidlo prívodu oleja
M-4	Ikona brzdy	M-10	Prehadzovač rýchlostí reťaze
M-5	Indikátor vysokej teploty	M-11	Úroveň výstupu oleja
M-6	Kruh palivomeru	M-12	Indikátor nízkej hladiny oleja

POZNÁMKA: Pri použití akumulátora EGO s kapacitou 4,0 Ah alebo menej je k dispozícii iba režim ECO. A

SK

požitie akumulátora EGO s kapacitou menšou ako 6,0 Ah neumožní dosiahnuť vysokú rýchlosť. Pre najlepší výkon odporúčame používať akumulátory EGO s kapacitou 6,0 Ah (napr. BA3360T) alebo viac.

POZNÁMKA: Reťazová píla má funkciu zapamätania rýchlosti reťaze. Pri ďalšom zapnutí reťazovej píly sa aktivuje predtým použitý režim rýchlosti.

POZNÁMKA: LCD obrazovka sa rozsvieti po stlačení hlavného spínača alebo po stlačení tlačidla prívodu oleja alebo tlačidla svetlometu/Bluetooth. V predvolenom nastavení sa LCD obrazovka automaticky vypne po približne 1 sekunde nečinnosti.

POZNÁMKA: Stlačením prehadzovača rýchlosti reťaze nezapnete LCD obrazovku.

ÚROVEŇ ZAŤAŽENIA (obr. M)

Úroveň zaťaženia na pravej strane LCD obrazovky zobrazuje aktuálne zaťaženie stroja. Vyšší počet prúžkov znamená vyššie zaťaženie a nižší počet prúžkov znamená nižšie zaťaženie.

Táto funkcia je priamé určená pre skúsených používateľov benzínových reťazových píľ, ktorí nemusia mať správny „cít“, ako sa akumulátorová píla správa pri rôznom zaťažení. Pomáha používateľom monitorovať pracovné zaťaženie, aby sa predišlo dlhotrvajúcej prevádzke pri veľkom zaťažení, ktoré môže spôsobiť zastavenie reťazovej píly počas prevádzky z dôvodu prehriatia.

INDIKÁTOR VYSOKEJ TEPLOTY (obr. M)

Indikátor vysokej teploty sa rozsvieti, keď teplota stroja počas prevádzky prekročí 90°C (194°F) alebo teplota akumulátora prekročí 70°C (158°F). Teplotný obvod okamžite vypne stroj, aby sa zabránilo poškodeniu prehriatím. Uvoľnite vypínač a počkajte, kým prehriaty stroj alebo akumulátor nevychladne a nezhasne indikátor vysokej teploty, potom stroj reštartujte.

IKONA BRZDY (obr. M)

Ikona brzdy sa zobrazí na LCD obrazovke, keď je brzďová páčka v polohe brzdy.

Ikona brzdy bude blikať, keď všesmerový brzďový systém reťaze zastaví pílu. Podrobné informácie nájdete v nasledujúcej kapitole.

VŠESMEROVÝ BRZĎOVÝ SYSTÉM REŤAZE (obr. N1 a obr. N2)

VAROVANIE: Všesmerový brzďový systém reťaze nie je určený ako náhrada štandardnej/tradičnej brzdy reťaze. Používateľ by sa nikdy nemal spoliehať na túto funkciu

počas prevádzky reťazovej píly na ochranu pred spätným nárazom. Vždy dodržiavajte bezpečnostné pokyny týkajúce sa zmiernenia spätného rázu, ktoré nájdete vo výstražnej časti tejto príručky.

Keď sa aktivuje všesmerový brzďový systém reťaze a zastaví pílu, na LCD obrazovke bude blikať ikona brzdy (obr. M). Uvoľnite vypínač, vytiahnite reťaz píly a vodiacu lištu z dreva, potom reťazovú pílu znovu zapnite.

POZNÁMKA: Snímače zaznamenajú iba náhly pohyb píly v rovine vodiacej lišty (obr. N1). Senzory nezaznamenajú žiadny náhly pohyb píly do strany (obr. N2) (t.j. kolmo na rovinnu vodiacej lišty).

VÝSTUPNÁ ÚROVEŇ OLEJA A INDIKÁTOR NÍZKEHO OLEJA

(obr. M)

Stroj automaticky maže reťaz. Táto reťazová píla umožňuje meniť výstupné množstvo oleja každým stlačením tlačidla prívodu oleja.

POZNÁMKA: Výstupné množstvo oleja je možné zmeniť len vtedy, keď reťaz píly nebeží.

Úroveň výstupu oleja na LCD obrazovke zobrazuje výstupné množstvo oleja. Jeden prúžok pre nízke výstupné množstvo, dva prúžky pre stredné výstupné množstvo a tri prúžky pre vysoké výstupné množstvo.

Zvoľte vyššie výstupné množstvo pre vyššiu rýchlosť reťaze. Ak reťaz píly počas práce vyschne, zastavte motor a zvoľte vyššie výstupné množstvo oleja.

Keď je hladina oleja nízka, na LCD obrazovke sa zobrazí indikátor nízkej hladiny oleja nad prúžkami výstupu oleja a k dispozícii bude iba nízke výstupné množstvo. Zastavte reťazovú pílu a doplňte olejovú nádrž podľa kapitoly **PLNENIE OLEJOVEJ NÁDRŽE MAZIVOM NA LIŠTU A REŤAZ**.

Po naplnení olejovej nádrže spustíte reťazovú pílu asi na 10 sekúnd, aby mohol začať fungovať automatický mazací systém a indikátor zmizne z LCD obrazovky.

POZNÁMKA: Ak sa po vykonaní vyššie uvedených krokov indikátor stále zobrazuje na LCD obrazovke, systém môže byť poškodený. Prestaňte reťazovú pílu používať a požiadajte o opravu autorizované servisné stredisko EGO.

LED SVETLOMET (obr. O)

LED svetlomet sa nachádza v prednej časti krytu reťazovej píly. Svetlomet poskytuje osvetlenie pre lepšiu viditeľnosť a má 2 úrovne jasu.

Ak chcete zapnúť svetlomet, stlačte jedenkrát tlačidlo svetlometu/Bluetooth (obr. M). Svetlomet sa zapne na nízkej úrovni jasu a na LCD obrazovke sa zobrazí ikona nízkeho

jasu svetlometu. Opätovným stlačením tlačidla svetlometu/ Bluetooth prepnete na vysokú úroveň jasu a na LCD obrazovke sa zobrazí ikona vysokého jasu svetlometu.

Ak chcete vypnúť svetlomet, stlačte tlačidlo svetlometu/ Bluetooth tretikrát a ikona svetlometu zmizne z LCD obrazovky.

0-1	Ikona nízkeho jasu svetlometu	0-3	LED svetlomet
0-2	Ikona vysokého jasu svetlometu		

KOMUNIKAČNÁ TECHNOLÓGIA

Ak chcete získať informácie alebo sa oboznámiť s celou škálou pripojených výrobkov a služieb vrátane pokynov na pripojenie, naskenujte QR kód nižšie alebo navštívte stránku www.egopowerplus.eu/connect.



SPRÁVNE UCHOPENIE RUKOVÄTÍ (OBR. P1)

- Používajte protišmykové rukavice s cieľom maximalizovať uchopenie a ochranu.
- Držte pílu pevne obomi rukami na pevnom a rovnom povrchu.
- Vždy uchopte prednú rukoväť ľavou rukou a zadnú rukoväť pravou rukou.
- Prsty by mali obopínať rukoväť s palcom pod prednou rukoväťou.

VAROVANIE: Nikdy používajte úchop ľavou rukou (s prekriženými rukami) alebo akýkoľvek postoj, ktorý by posunul vaše telo alebo ruku do dráhy reťaze.

VAROVANIE: Nespušťať hlavný vypínač ľavou rukou, pričom pravou rukou držíte prednú rukoväť. Pri práci s reťazovou pilou nikdy nedovoľte, aby sa akákoľvek časť vášho tela nachádzala v dráhe reťaze (obr. P2).

SPRÁVNY POSTOJ PRI PÍLENÍ (OBR. Q)

- Obe chodidlá musia byť na pevnej zemi s rovnomerne rozmiestnenou hmotnosťou.
- Ľavá ruka má byť vystretá a lakeť pevný.

Pomáha to odolávať silám vytvoreným spätným rázom.

- Telo musí byť vždy na ľavej strane dráhy reťaze.

POKYNY TÝKAJÚCE SA SPRÁVNEJ TECHNIKY JEDNODUCHÉHO STÍNANIA, OSEKÁVANIA VETIEV A PREREZÁVANIA

VAROVANIE: Vždy sa uistite, že váš postoj je pevný a držte reťazovú pílu pevne obomi rukami, keď je motor zapnutý.

VAROVANIE: Keď sa reťazová píla zastaví kvôli zablokovaniu počas pílenia, uvoľnite páčku; vyťahnite reťazovú pílu a vodiacu lištu z dreva, potom reťazovú pílu znovu zapnite.

VAROVANIE: Neťahajte reťazovú pílu rukou, ak je obalená pilinami. Ak sa reťazová píla zapne náhodne, môže to viesť k vážnemu úrazu. Zatlačte reťazovú pílu proti drevu a zatrasťe pilou hore dolu, aby ste sa zbavili úlomkov. Pred čistením vždy vyberte akumulátor. Pri manipulácii s reťazou píly používajte pevné ochranné rukavice.

VAROVANIE: Nikdy nezapínajte reťazovú pílu, keď sa dotýka dreva. Reťazová píla musí dosiahnuť plnú rýchllosť pred jej použitím na pílenie dreva.

SK

STÍNANIE STROMU

- Pri vykonávaní činností skracovania alebo stínania dvomi osobami naraz sa stínanie od skracovania musí vykonávať v minimálnej vzdialenosti dvakrát väčšej než je dĺžka stromu, ktorý mal byť stáť. Stromy nesmú byť odstraňované spôsobom, ktorý ohrozuje osoby, poškodzuje verejné rozvody alebo spôsobuje akúkoľvek škodu na majetku. Ak sa strom dotkne inžinierskych sietí, je potrebné okamžite informovať prevádzkovateľa.
- Používateľ reťazovej píly má stáť na vrchnej strane terénu, keďže je pravdepodobné, že sa strom po výrube bude gúľať alebo šmýkať dolu kopcom.
- Pred začatím výrubov by mala byť naplánovaná a jasne stanovená úniková cesta. Úniková dráha by mala smerovať dozadu a šikmo dozadu od predpokladanej línie pádu, ako je znázornené na obrázku R.

R-1	Smer výrubu
R-2	Bezpečnostná ústupová cesta

- Pred začatím výrubu zvážte prirodzený náklon stromu, umiestnenie väčších konárov a smer vetra s cieľom posúdiť, ako strom spadne.
- Zo stromu odstráňte špinu, kamene, uvoľnenú kôru, klince, skoby a drôty.

Predný spodný rez

Urobte zárez s priemerom 1/3 priemeru stromu, kolmo na smer pádu, ako je znázomené na obr. S. Najskôr urobte horizontálny predný spodný rez. Pomáha to predchádzať zovretiu reťaze píly alebo vodiacej lišty pri robení druhého rezu.

S-1	Smer pádu	S-3	Spätný rez pri výrube
S-2	Spodný rez	S-4	Nedorezok

Zadný horný rez

- Spätný rez pri výrube vykonajte minimálne o 50 mm vyššie, ako je vodorovný zárez, ako je znázomené na obr. S. Dbajte na to, aby bol zadný horný rez paralelné s horizontálnym predným spodným rezom. Urobte zadný horný rez tak, aby ste nechali dostatok dreva, ktoré bude fungovať ako nedorezok. Nedorezok zabraňuje tomu, aby sa strom stočil a spadol zlým smerom. Nepilte nedorezok.
- Keď sa pri výrube dostanete do blízkosti nedorezku, strom by mal začať padať. Ak existuje možnosť, že strom nespadne v požadovanom smere, alebo rozkmitá reťazovú pílu, prestaňte píliť predtým, než dokončíte zadný horný rez a použite kliny z dreva, plastu alebo hliníka na to, aby ste otvorili výrez a zhodili strom v požadovanom smere pádu.
- Keď strom začne padať, odstráňte reťazovú pílu z výrezu, zastavte motor, odložte reťazovú pílu, potom použite plánovanú ústupovú cestu. Dávajte pozor na padajúce vetvy v úrovni nad hlavou a dbajte na správny postoj.

Odvetvovanie stromu

Odvetvovanie je odstraňovanie vetiev z vyrúbaného stromu. Pri odvetvovaní ponechajte väčšie spodné vetvy, aby držali kmeň nad zemou. Malé končatiny odstráňte jedným rezom podľa obr. T. Napnuté vetvy pilte zdola nahor, aby sa predišlo zablokovaniu reťazovej píly.

Skracovanie kmeňa

Skracovanie je rozpílenie kmeňa na určité dĺžky. Je dôležité zabezpečiť pevný postoj a rovnomerné rozloženie hmotnosti na obe nohy. Pokiaľ je to možné, kmeň by mal byť zdvihnutý a podopieraný vetvami, brvnami alebo klátmi.

Postupujte podľa jednoduchých pravidiel, ktoré uľahčujú pílenie.

Keď je kmeň podopretý po celej dĺžke, ako je znázomené na obr. U1, odreže sa zhora (vrchný rez).

Ak je kmeň podopretý na jednom konci, ako je znázomené na obr. U2, odreže 1/3 priemeru zo spodnej strany (spodný rez). Potom urobte konečný rez zhora na ukončenie prvého rezu.

Ak je kmeň podopretý na oboch koncoch, ako je znázomené na obr. U3, odreže 1/3 priemeru z hornej časti (vrchný rez). Potom dokončíte prvý rez spodným rezom do 2/3.

Pri pílení na svahu stojte vždy na hornej strane kmeňa, ako je znázomené na obr. V.

Pre udržanie úplnej kontroly počas „prerezávania“ uvoľnite tlak pílenia na konci rezu bez toho, aby ste uvoľnili uchopenie rúkaví reťazovej píly. Nenechajte reťaz dotknúť sa zeme. Po ukončení rezu počkajte, kým sa reťaz píly zastaví, a až potom môžete reťazovú pílu presuvať. Pred prechodom k ďalšiemu stromu vždy vypnite motor.

ÚDRŽBA

VAROVANIE: Pri údržbe používajte iba originálne náhradné diely. Použitie iných častí môže vyvolať nebezpečenstvo, alebo spôsobiť poškodenie výrobku. Pre zaistenie bezpečnosti a spoľahlivosti je nevyhnutné, aby všetky opravy vykonával len kvalifikovaný servisný technik.

VAROVANIE: Aby ste predišli vážnemu zraneniu osôb, pred kontrolou, čistením alebo údržbou vždy vyberte akumulátor z výrobku. Akumulátorové náradie sa môže spustiť náhodne, ak je v ňom vložený akumulátor.

VAROVANIE: Pri čistení reťazovej píly ju NEPONÁRAJTE do vody ani do iných kvapalín.

VAROVANIE: Nikdy nedovoľte, aby brzdové kvapaliny, benzín, ropné výrobky, penetračné oleje atď. prišli do styku s plastovými časťami. Chemické látky môžu poškodiť, oslabiť alebo zničiť plast, čo môže viesť k vážnemu zraneniu.

ČISTENIE

- Po každom použití odstráňte nečistoty z reťaze a vodiacej lišty použitím mäkkej kefy. Utrite povrch reťazovej píly čistou handričkou navlhčenou v slabom mydlovom roztoku.
- Zložte bočný kryt a potom použite mäkkú kefu na odstránenie nečistôt z vodiacej lišty, reťaze píly, ozubeného kolesa a bočného krytu.

- Približne každých 8 hodín prevádzky odstráňte spodný kryt a pomocou mäkkej kefy odstráňte nečistoty vo vnútri stroja a na kryte (obr. W).
- Pri výmene reťaze pily vždy odstráňte drevnú štiepku, piliny a nečistoty z drážky vodiacej lišty.

ÚDRŽBA VODIACEJ LIŠTY

Ak vodiaca lišta vykazuje známky opotrebovania, demontujte ju z motorovej hlavy reťazovej pily a pri opätovnej montáži ju obráťte (obr. X1). V takom prípade sa opotrebenie rozdelí rovnomerne pre maximálnu životnosť vodiacej lišty.

Lišta sa má čistiť po každom použití a je potrebné ju kontrolovať na známky opotrebovania a poškodenia (obr. X2). Otrepávanie alebo tvorenie drsných okrajov na kofajničkách lišty je normálnym procesom opotrebovania lišty. Tieto nedokonalosti treba vyhľadiť pomocou pilníka hneď, ako sa objavia. Lištu, ktorá vykazuje nasledujúce nedostatky, je potrebné vymeniť.

- Opotrebovanie vo vnútri kofajnice lišty umožňuje, aby sa reťaz dostala cez bočné strany.
- Zohnutá vodiaca lišta.
- Prasknuté alebo zlomené kofajnice.
- Rozšírené kofajnice.

Navyše má vodiaca lišta na svojom hrote ozubené koleso (obr. X3).

Ozubené koleso treba mazať raz za týždeň mazacou striekačkou, aby sa predĺžila životnosť vodiacej lišty. Pomocou mazacej striekačky týždenne premažte reťaz olejom cez mazací otvor (obr. W4). Otočte vodiacu lištu a skontrolujte, či sú mazacie otvory a drážka reťaze čisté.

X-1	Lištové kofajnice	X-3	Otvor na mazanie
X-2	Ozubené kolesko na hrote vodiacej lišty		

POZNÁMKA: Na dosiahnutie najlepších výsledkov používajte autorizované mazivá EGO.

PREPRAVA A SKLADOVANIE

Reťazovú pilu neskladujte ani neprepravujte, ak je zapnutý motor. Pred skladovaním alebo prepravou vždy vyberte akumulátor.

Pred skladovaním alebo prepravou reťazovej pily umiestnite na vodiacu lištu kryt. Nedotýkajte sa ostrých zubov reťaze.

Pred skladovaním reťazovú pilu dôkladne vyčistite. Skladujte reťazovú pilu v interiéri, na suchom mieste, ktoré je uzamknuté a/alebo mimo dosahu detí.

Chráňte pred agresívnymi látkami, ako sú záhradné chemikálie a rozmrazovacie soli.

OCHRANA ŽIVOTNÉHO PROSTREDIA



Nevyhadzujte elektrické zariadenia, nabíjačku a použité akumulátory do domového odpadu!

Tento výrobok odnesť na autorizované recyklačné miesto a poskytnúť ho na separovaný zber. Elektrické náradie sa musí odovzdať do príslušného zariadenia na ekologicky šetrnú recykliáciu.

ODSTRAŇOVANIE PORÚCH

⚠ VAROVANIE: Pri údržbe reťaze píly vždy používajte pevné rukavice, aby ste si chránili ruky. Pri údržbe alebo preprave reťazovej píly vždy vytiahnite akumulátor.

PROBLÉM	PRÍČINA	RIEŠENIE
Motor neštartuje.	<ul style="list-style-type: none"> ■ Akumulátor nie je pripojený k reťazovej píle. ■ Žiadny elektrický kontakt medzi pilou a akumulátorom. ■ Ak kruh palivomera na LCD obrazovke bliká, akumulátor je vybitý. ■ Ak sa na LCD obrazovke zobrazí indikátor vysokej teploty, akumulátor alebo reťazová píla sú príliš horúce. ■ Ak sa na LCD obrazovke zobrazí ikona brzdy reťaze, brzda reťaze je aktivovaná. ■ Špina v drážke lišty. ■ Špina v bočnom kryte. 	<ul style="list-style-type: none"> ■ Pripojte akumulátor k reťazovej píle. ■ Vyberte akumulátor, skontrolujte kontakty a akumulátor nainštalujte naspäť. ■ Nabite akumulátor. ■ Nechajte akumulátor alebo reťazovú pílu vychladnúť, až kým teplota neklesne pod 67°C. ■ Potiahnite lopatku reťazovej brzdy smerom dozadu k prednej rukoväti, čím sa dostanete do prevádzkovej polohy. ■ Zatlačte reťazovú pílu proti drevu a zatraďte pílu hore dolu, aby ste sa zbavili úlomkov. ■ Vyberte akumulátor, potom odstráňte bočný kryt a vyčistite špinu.
Rýchlostný režim nie je možné zmeniť.	<ul style="list-style-type: none"> ■ Prehadzovačka reťaze je zaseknutá nečistotami. 	<ul style="list-style-type: none"> ■ Vyčistite nečistoty okolo prehadzovačky reťaze.
Reťazová píla sa počas prevádzky neočakávane zastaví.	<ul style="list-style-type: none"> ■ Reťazová píla je preťažená. ■ Ak sa na LCD obrazovke zobrazí indikátor vysokej teploty, akumulátor alebo reťazová píla sú príliš horúce. ■ Reťaz píly je zaseknutá v dreve. ■ Ak na LCD obrazovke bliká ikona brzdy reťaze, píla je zastavená všesmerovým brzdovým systémom reťaze. 	<ul style="list-style-type: none"> ■ Znížte zaťaženie. ■ Nechajte akumulátor alebo reťazovú pílu vychladnúť, až kým teplota neklesne pod 67°C. ■ Uvoľnite vypínač; vytiahnite reťazovú pílu a vodiacu lištu z dreva, potom reťazovú pílu znovu zapnite. ■ Uvoľnite vypínač; vytiahnite reťazovú pílu a vodiacu lištu z dreva, potom reťazovú pílu znovu zapnite.
Motor beží, ale reťaz sa neotáča.	<ul style="list-style-type: none"> ■ Reťaz nezapadá do ozubeného kolesa. 	<ul style="list-style-type: none"> ■ Znovu nainštalujte reťaz a uistite sa, že vodiace články na reťazi zapadajú do ozubeného kolesa.
Brzda reťaze nezaberá.	<ul style="list-style-type: none"> ■ Nečistoty brániace plnému pohybu lopatky reťazovej brzdy. ■ Možná chyba brzdy reťaze. 	<ul style="list-style-type: none"> ■ Očistite špinu z vonkajšieho brzdového mechanizmu reťaze. ■ Pre opravy kontaktujte zákaznický servis EGO.

SK

PROBLÉM	PRÍČINA	RIEŠENIE
Reťazová píla pili nedostatočne.	<ul style="list-style-type: none"> ■ Nedostatočné napnutie reťaze. ■ Tupá reťaz. ■ Reťaz je nainštalovaná naopak. ■ Opotrebovaná reťaz. ■ Suchá alebo príliš napnutá reťaz. ■ Reťaz nie je v drážke lišty. 	<ul style="list-style-type: none"> ■ Upravte dotiahnutie reťaze, postupujte podľa časti: „NASTAVENIE NAPNUTIA REŤAZE“. ■ Naostrite reťaz. ■ Znovu namontujte reťaz pily podľa kapitoly „MONTÁŽ/VÝMENA LIŠTY A REŤAZE“. ■ Vymeňte reťaz, postupujte podľa časti: „MONTÁŽ/VÝMENA LIŠTY A REŤAZE“. ■ Skontrolujte hladinu oleja. Doplňte olejovú nádrž a v prípade potreby zvolte väčší objem oleja. ■ Znovu nasadte reťaz, postupujte podľa časti: „MONTÁŽ/VÝMENA LIŠTY A REŤAZE“.
Reťaz sa pri bežnom používaní uvoľní alebo spadne z vodiacej lišty.	<ul style="list-style-type: none"> ■ Reťaz sa uvoľní, keď sa teplota reťaze zvýši počas normálnej prevádzky pily. ■ Reťaz nezapadá do ozubeného kolesa. 	<ul style="list-style-type: none"> ■ Napnite napnutie reťaze podľa kapitoly „NASTAVENIE NAPNUTIA REŤAZE“. ■ Znovu nasadte reťaz, postupujte podľa časti: „MONTÁŽ/VÝMENA LIŠTY A REŤAZE“.
Lišta a reťaz sú horúce a dymia.	<ul style="list-style-type: none"> ■ Ak sa na LCD obrazovke zobrazí indikátor nízkej hladiny oleja, nádržka na olej na reťaz je prázdna. ■ Špina v drážke vodiacej lišty. 	<ul style="list-style-type: none"> ■ Skontrolujte hladinu oleja. V prípade potreby doplňte olejovú nádrž. ■ Vychistite špinu z drážky.
Na LCD displeji sa zobrazí indikátor nízkej hladiny oleja, aj keď je v olejovej nádrži dostatok oleja. Alebo aj keď je v olejovej nádrži nedostatok oleja, na LCD displeji sa nezobrazí indikátor nízkej hladiny oleja.	<ul style="list-style-type: none"> ■ Komponent detekcie hladiny oleja ešte nezistil skutočnú hladinu oleja v dôsledku zvyškového oleja alebo vzduchu v olejovej trubici. ■ Zlyhanie komponentu detekcie hladiny oleja. 	<ul style="list-style-type: none"> ■ Počkajte niekoľko minút, kým z olejovej trubice neunikne zvyškový olej alebo vzduch.

ZÁRUKA

ZÁRUČNÁ POLITIKA EGO

Úplné znenie záručných podmienok EGO nájdete na webovej stránke egopowerplus.eu.

OLVASSA EL AZ ÖSSZES UTASÍTÁST!



OLVASSA EL A HASZNÁLATI ÚTMUTATÓT

▲ FIGYELMEZTETÉS: A biztonságosság és megbízhatóság biztosítása érdekében minden javítást szakképzett szerviztechnikusnak kell elvégeznie.

▲ FIGYELMEZTETÉS: A szerszám használata előtt feltétlenül olvassa el és értesse meg a jelen kezelési útmutatóban található valamennyi biztonsági utasítást, valamint a „VESZÉLY”, „FIGYELMEZTETÉS”, és „FIGYELEM” biztonsági figyelmeztető szimbólumokat is. Az alább felsorolt utasítások be nem tartása áramütést, tüzvészélyt és/vagy súlyos személyi sérülést idézhet elő.



Biztonsági figyelmeztetés



Viseljen szemvédőt



Viseljen fejevédőt



Óvakodjon a láncfűrész visszarágásától, és ügyeljen rá, hogy ne érjen hozzá a láncvezető csúcsához.



Információ a láncvezetőről



Garantált hangteljesítményszint. Környezetre ható zaj kibocsátás a Európai Közösség irányelve szerint.



A termék megfelel az érvényes EK irányelveknek.



Bluetooth®

mm Milliméter

V Feszültség

IPX5 Vízszugár elleni védelem

ŐRIZZEN MEG MINDEN UTASÍTÁST ÉS FIGYELMEZTETÉST, HOGY KÉSŐBB IS ELŐ TUDJA MAJD VENNI.

BIZTONSÁGI SZIMBÓLUMOK

▲ FIGYELMEZTETÉS: Bármely elektromos kéziszerszám működtetése azzal járhat, hogy idegen tárgyak szembe kerülnek, ami súlyos zemsérüléseket okozhat. Az elektromos kéziszerszám működtetése előtt mindig vegyen fel oldalsó védőlemezzel ellátott védőszemüveget és a teljes védőálarcot, ha szükséges. Javasoljuk, hogy viseljen Wide Vision Safety Mask-ot (védőálarc) a védőszemüveg fölött vagy standard védőszemüveget oldalsó védőlemezzel.



A sérülések kockázatának csökkentése érdekében a használaton a termék használata előtt el kell olvasnia és meg kell értenie a használati útmutatót.



Viseljen fülvédőt



Viseljen védőkesztyűt



Láncvezető hegy, visszarágás



Mindig két kézzel használja a láncfűrész



Az elhasznált elektromos termékek nem helyezhetők a háztartási hulladékok közé. Vigye hivatalos újrahasznosító telephelyre.



Ez a termék megfelel az Egyesült Királyság hatályos jogszabályainak.



Egyenáram

n_v Üresjárat fordulatszám

./min Percenként

JELLEMZŐK

Névleges feszültség	56V	
Max. Lán sebessége	30 m/s	
Lánc fogosztása	8,255 mm/0,325"	
Lánc idom	1,3 mm	
Láncvezető hossza	50 cm	
Fűrészlánc modell	AC2035 (ajánlott)	
	AC1635, AC1835 (Kompatibilis)	
Fűrészlánc és vezetőrúd modell	AK2035 (ajánlott)	
	AK1635, AK1835 (Kompatibilis)	
Lánc olajtartály kapacitása	250 ml	
Súly (akkumulátor, fűrészlánc, vezető rúd, oldalsó burkolat, olaj és láncburkolat nélkül)	4,3 kg	
Javasolt üzemi hőmérséklet	-15°C – 40°C	
Javasolt tárolási hőmérséklet	-20°C – 70°C	
Javasolt töltési hőmérséklet	5°C – 40°C	
Mért hangteljesítményszint L_{WA}	102 dB(A)	
	K=2,3 dB(A)	
Hangnyomásszint munkahelyzetben L_{PA}	92 dB(A)	
	K=3 dB(A)	
Garantált hangteljesítményszint L_{WA} (2000/14/EK szerint)	104 dB(A)	
Vibráció a_n	Elülső fogantyú	3,3 m/s ² K=1,5 m/s ²
	Hátulsó fogantyú	1,74 m/s ² K=1,5 m/s ²

- A névleges rezgési összérték mérése standard bevizsgálási módszerrel történt, és használatával a szerszámok egymással összehasonlíthatók.
- A névleges rezgési összérték a kockázat előzetes felméréséhez is felhasználható.

MEGJEGYZÉS: A rezgés-kibocsátás az elektromos szerszám aktuális használata közben eltérhet attól a névleges értéktől, amellyel a szerszámot használják: a kezelő védelme érdekében a használatnak kesztyűt és hallásvédőt kell használnia működtetés közben.

A CSOMAG TARTALMA (A1 ÁBRA)

LEÍRÁS

ISMERJE MEG A LÁNCFÜRÉSzt (A1 ábra)

1. Fűrészlánc
2. Lánc visszarúgás elleni féklapát
3. Elülső fogantyú
4. LCD kijelző
5. Sebességszint
6. Bluetooth ikon
7. Lámpa ikon
8. Fék ikon
9. Magas hőmérséklet jelző
10. Üzemanyagmérő kör
11. Aktuális terhelési szint
12. Alacsony olajsint jelző
13. Lámpa/Bluetooth gomb
14. Olajadagolás gomb
15. Olajkibocsátási szint
16. Reteszelő gomb
17. Indítókapcsoló
18. Hátsó fogantyú
19. Láncsebesség váltó
20. Akkumulátor kioldógomb
21. Olaj ellenőrző ablak
22. Olajtartály sapka
23. Láncvezető
24. Olajozó nyílás
25. Láncfeszítő csavar
26. Oldalsó burkolat
27. Rögzítőnyák
28. Vágótüskék
29. LED lámpa
30. Lánc tok
31. Kombinált kulcs

HU

ÖSSZESZERELÉS

LÁNCVEZETŐ ÉS LÁNC ÖSSZESZERELÉSE/CSERÉJE

▲ FIGYELMEZTETÉS: Összeszerelés előtt állítsa a lánc visszarágás elleni fék fogantyúját fékező állásba.

1. Helyezze a láncfűrész fejet oldalára úgy, hogy az oldalsó burkolat felfelé nézzen (B ábra).
2. Vegye le az oldalsó burkolatot a két rögzítőanyát az óramutató járásával ellentétes irányba elforgatva.
3. A láncfeszítő csavart az óramutató járásával ellentétes irányban elforgatva lazítsa meg a láncfeszességet.
4. Helyezze a fűrészláncot hurok alakban sima felületre, és egyenesítse ki az esetleges megtöréseket (C ábra).
5. Helyezze a láncajtó szemeket a láncvezetőre, és maradjon egy láncchurok a láncvezető hátulján (D ábra).
6. Tartsa pozícióban a láncot a láncvezetőn, és helyezze a hurkot a fűrész lánckereke köré (E1 ábra).

B-1	Rögzítőanyag	D-2	Láncvezető horony
B-2	Láncfeszítő csavar	E-1	Hajtó lánc- erék
D-1	Láncajtó szemek		

HU

MEGJEGYZÉS: Amikor a fűrészláncot a láncvezetőre hurkolja, győződjön meg arról, hogy a láncvezető fűrészre történő felszerelése után a vágó orientációja egyezik-e a házon lévő vágó ikonnal és forgásirány nyíljal. Ha ellentétes irányba néznek, szerelje vissza a fűrészláncot a láncvezetőre úgy, hogy a nyilak ugyanabba az irányba nézzenek (E2 ábra)

7. Helyezze vissza az oldalsó burkolatot a láncfűrészházra, és húzza meg teljesen mindkét rögzítőanyát.
8. Forgassa el a láncot kézzel, hogy ellenőrizze, hogy a lánc megfelelően van-e összeszerelve, és nem tekeredett-e meg. Egyébként szerelje vissza a láncot és a láncvezetőt.

MEGJEGYZÉS: A láncvezető élettartamának meghosszabbítása érdekében alkalmanként fordítsa meg.

A LÁNC FESZESSÉG BEÁLLÍTÁSA

- Állítsa le a motort, és vegye le az akkumulátoregységet, mielőtt beállítja a lánc feszességét. A láncfeszítő csavart az óramutató járásával megegyező vagy ellentétes irányban elforgatva állítsa be a láncfeszességet (F ábra), amíg

a lánc szorosan a láncvezetőhöz nem illeszkedik, és a láncajtó szemek nem kerülnek a láncvezető hornyába.

- A hideg lánc akkor van megfelelően megfeszítve, ha nem laza a láncvezető alsó részén, és a lánc illeszkedik, de kézzel forgatni lehet akadály nélkül. A láncot meg kell húzni, ha a láncajtó szemek nem illeszkednek a láncvezetőre.
- A fűrész normál használata közben a lánc hőmérséklete megnő. A megfelelően megfeszített meleg lánc láncajtó szemei körülbelül 1,3 mm-rel lógnak le a láncvezetőről (G ábra).

MEGJEGYZÉS: Az új láncok hajlamosak a nyúlásra; ellenőrizze a lánc feszességét, és a javasolt módon feszítse meg.

MEGJEGYZÉS: A lánc megfeszítése akkor, amikor meleg, túl szorossá válhat, amikor kihűlt. Ezért hidegen ellenőrizze a feszességet a következő használat előtt.

HASZNÁLAT

▲ FIGYELMEZTETÉS: Ügyeljen rá, nehogy a termékkel szerzett jártassága miatt óvatlanná váljon. Emlékezzon arra, hogy a másodperc töredéke alatt történő óvatlanság súlyos sérülést okozhat.

▲ FIGYELMEZTETÉS: Ne használjon a termék gyártója által nem javasolt tartozékokat. A nem javasolt tartozékok használata súlyos személyi sérüléseket okozhat.

▲ FIGYELMEZTETÉS: A véletlenszerű indítás elkerülése érdekében, amely súlyos személyi sérülést okozhat, mindig vegye ki az akkumulátoregységet a szerszámból, amikor összeszereli az alkatrészeket, beállításokat, tisztítást végez, vagy amikor nem használja.

Minden használat előtt ellenőrizze a teljes terméket sérülések, hiányzó vagy laza alkatrészek, pl. csavarok, anyák, alátétek, sapkák stb. szempontjából. Biztonságosan húzzon meg minden rögzítőt és sapkát, és ne használja a terméket addig, amíg a sérült vagy hiányzó alkatrészeket ki nem cserélték.

ALKALMAZÁSOK

A terméket használhatja alapvető döntéshez, ágazáshoz, metszéshez, fűrészáruk és rönkfa vágásához.

MEGJEGYZÉS: A szerszámot kizárólag a meghatározott célokra használja. Bármilyen más használat helytelen használatnak minősül.

LÁNCVEZETŐ ÉS LÁNC KENŐANYAG

▲ FIGYELMEZTETÉS: Ne dohányozzon, és ne legyen tűz vagy láng a láncfűrész közelében. Az olaj kifröccsenhet, és tüzet okozhat.

MEGJEGYZÉS: A láncfűrész a vásárláskor nincs feltöltve olajjal. Használat előtt fel kell tölteni a tartályt olajjal. A lánc működés közben automatikusan bekenésre kerül a láncolajjal.

1. Helyezze a láncfűrész az oldalára úgy, hogy a tartálysapka felfelé nézzen.
2. Ellenőrizze az olajtartály sapkát és a körülötte lévő területet, nehogy szennyeződés kerüljön az olajtartályba.
3. Emelje fel a félkör alakú lemezt, és az óramutató járásával ellentétes irányban elforgatva vegye le az olajtartály sapkáját (H ábra).
4. Óvatosan öntse be a láncvezető- és láncolajat a tartályba. Töltse fel a betöltőnyak aljáig.
5. A felesleges olajat törölje le, és helyezze vissza a sapkát.

MEGJEGYZÉS: Gyakran ellenőrizze az olajsintet, és töltsön utána olajat, ha az olajsint a minimum vonal alá csökken. Soha ne használja a láncfűrész, ha nem látható olaj.

AZ AKKUMULÁTOREGYSÉG BERAKÁSA/KIVÉTELE

MEGJEGYZÉS: Az LCD-képernyőn az üzemanyagszintmérő kör mutatja az akkumulátor töltöttségi szintjét (A1 ábra). A kör villogni kezd, amikor az akkumulátor töltöttsége a lemerüléshez közeledik. Az első használat előtt teljesen tölts fel az akkumulátoregységet.

Csak az A2 ábrán felsorolt EGO akkumulátoregységeket és töltőket használja.

Az első használat előtt teljesen tölts fel.

Csatlakoztatás

Illesse az akkumulátor bordázatát az akkumulátorban lévő szerelőnyílásokhoz, és nyomja le az akkumulátoregységet, amíg kattánást nem hall (I ábra).

Leválasztás

Oldja ki az akkumulátor kioldógombot, és húzza ki az akkumulátoregységet (J ábra).

A LÁNCFÜRÉSZ INDÍTÁSA/LEÁLLÍTÁSA

MEGJEGYZÉS: A láncfűrész elindítása előtt ellenőrizze

az olajsintet, a fűrészfogak élességét és a visszarúgás elleni féklapát megfelelő működését. Ezenfelül vegyen fel kiegyensúlyozott testhelyzetet és kellő távolságot a talajhoz.

Indítás (K ábra)

1. Húzza a visszarúgás elleni féklapátot az első fogantyú felé, hogy működési helyzetben legyen (K ábra).
2. Az előlő fogantyút mindig a bal kezével, a hátsó pedig a jobb kezével fogja meg erősen.

▲ FIGYELMEZTETÉS: A sérülések elkerülése érdekében a láncfűrész mindig úgy használja, hogy a jobb keze a hátsó fogantyú fogási területét fogja meg (L ábra).

3. A jobb kéz hüvelykujjával nyomja meg és tartsa lenyomva a kioldógombot, majd jobb kéz ujjaiával nyomja össze a kioldó kapcsolót a fűrész elindításához (L ábra).

L-1	Fogási terület
-----	----------------

4. Oldja ki a reteszelőgombot, és nyomja tovább az indítókapcsolót a folyamatos működéshez.
5. Minél tovább nyomja a kioldó kapcsolót, annál nagyobb lesz a láncsebesség. A sebességet az aktuális feladat elvégzésének megfelelően állítsa be.

▲ FIGYELMEZTETÉS: Ne próbálja meg elindítani a láncfűrész, ha a fűrészlánc bevágásban van.

Leállítás

1. Vigye távolabb a láncfűrész a vágási területtől, majd engedje el a kioldó kapcsolót a láncfűrész leállításához.
2. A láncfék lefékezéséhez tolja előre a visszarúgás elleni féklapátot a fékezési pozícióhoz (K ábra).

▲ FIGYELMEZTETÉS: Mindig vegye ki az akkumulátoregységet a gépből, ha szünetet tart a munkában, vagy befejezte a munkát.

SEBESSÉGFOKOZAT VÁLTÁSA (M)

A gép három sebességfokozattal rendelkezik. Minden sebességfokozat a láncfűrész maximális sebességét korlátozza. A sebességfokozat a láncsebesség váltó minden egyes megnyomásával változik.

Az LCD-képernyőn a sebességszint jelzi az aktív sebességmódot: egy sáv a kis sebességet, két sáv a közepes sebességet és három sáv a nagy sebességet. Az alacsony sebességfokozatnál (ECO) jobban irányítható a gép, és

hosszabb üzemidő marad töltésenként.

M-1	Sebességszint	M-7	Aktuális terhelési szint
M-2	Bluetooth ikon	M-8	Lámpa/Bluetooth gomb
M-3	Lámpa ikon	M-9	Olajadagolás gomb
M-4	Fék ikon	M-10	Láncsebesség váltó
M-5	Magas hőmérséklet jelző	M-11	Olajkibocsátási szint
M-6	Üzemanyagmérő kör	M-12	Alacsony olajszint jelző

MEGJEGYZÉS: A 4,0 Ah vagy kisebb teljesítményű EGO akkumulátoregység használata esetén csak az ECO mód érhető el. A 6,0 Ah-nál kisebb teljesítményű EGO akkumulátoregység használata nem teszi lehetővé a nagyobb sebességek elérését. A lehető legnagyobb teljesítmény érdekében erősen ajánlatos 6,0 Ah (pl. BA3360T) vagy annál nagyobb teljesítményű EGO akkumulátoregységeket használni.

HU

MEGJEGYZÉS: A láncfűrész láncsebesség memória funkcióval rendelkezik. A láncfűrész következő bekapcsolásakor az előzőleg használt sebesség mód aktiválódik.

MEGJEGYZÉS: Az LCD-képernyő világít, amikor a kioldó kapcsolót meghúzzák, vagy amikor az olajadagolás gombot vagy a lámpa/Bluetooth gombot megnyomják. Alapértelmezés szerint az LCD-képernyő körülbelül 1 másodperces inaktivitás után automatikusan kikapcsol.

MEGJEGYZÉS: A láncsebesség váltó megnyomásával nem kapcsol be az LCD-képernyő.

TERHELÉSI SZINT (M ábra)

Az LCD-képernyő jobb oldalán látható terhelési szint mutatja a gép aktuális terhelését. A sávok magasabb száma a nagyobb terhelést jelzi, a sávok alacsonyabb száma pedig az alacsonyabb terhelést jelzi.

Ez a funkció elsősorban a tapasztalt gázüzemű láncfűrész-felhasználóknak készült, akik esetleg nem érzik, hogyan viselkedik az akkumulátoros fűrész különböző terhelések mellett. Segítségével a felhasználók figyelemmel kísérhetik a munkaterhelést, hogy elkerüljék a hosszú ideig tartó, nagy terhelés mellett működést, ami miatt a

láncfűrész működés közben leállhat, mert túlmelegszik.

MAGAS HŐMÉRSÉKLET JELZŐFÉNYE (M ábra)

A magas hőmérséklet jelzőfénye akkor világít, ha a gép hőmérséklete meghaladja a 90 °C-ot, vagy ha az akkumulátor hőmérséklete meghaladja a 70 °C-ot. A hőmérséklet-védő áramkör azonnal lekapcsolja a gépet, hogy elkerülhetők legyenek a túlmelegedés okozta károk. Engedje fel a kioldó kapcsolót, és várja meg, amíg a túlmelegedett gép vagy akkumulátor le nem hűl és a magas hőmérséklet jelzőfénye ki nem alszik, majd indítsa újra a gépet.

FÉK IKON (M ábra)

A fék ikon akkor jelenik meg az LCD-képernyőn, ha a féklápat fékhelyzetben van.

A fék ikon villogni fog, amikor a minden irányú láncfékrendszer leállítja a fűrészt. Részletes információkra vonatkozóan lásd a következő fejezetet.

MINDEN IRÁNYÚ LÁNCFÉKRENDSZER (N1 ábra és N2 ábra)

A minden irányú láncfékrendszer nem helyettesítheti a standard/hagyományos láncféket. A láncfűrész használata közben a felhasználó soha nem támaszkodhat erre a funkcióra visszarúgás elleni védelemként. Mindig kövesse a kézikönyv figyelmeztető részében a visszarúgás mérséklésére vonatkozóan megadott biztonsági utasításokat.

Amikor a minden irányú láncfékrendszert működteti, és a fűrész leáll, a fék ikon villogni kezd az LCD-kijelzőn (M ábra). Engedje el az indítókapcsolót, vegye le a láncfűrészt és a láncvezetőt a fáról, majd indítsa újra a láncfűrészt.

MEGJEGYZÉS: Az érzékelők csak a láncvezető síkjában észlelik a fűrész hirtelen mozgását (N1 ábra). Az érzékelők nem észlelik a fűrész oldalirányú hirtelen mozgását (N2 ábra) (tehát a láncvezető síkjára merőlegesen).

OLAJKIMENETI SZINT ÉS ALACSONY OLAJSZINT JELZŐ (M ábra)

A gép automatikusan keni a láncot. Ez a láncfűrész lehetővé teszi, hogy az olajadagolás gomb minden egyes megnyomásával módosítsa az olajkibocsátási sebességet.

MEGJEGYZÉS: Az olajkibocsátás mértéke csak akkor módosítható, amikor a fűrészlánc nem jár.

Az olajkibocsátási szint az LCD-képernyőn mutatja az olajkibocsátási sebességet. Egy sáv az alacsony kimeneti sebességhez, két sáv a közepes teljesítményhez és három

sáv a nagy teljesítményhez.

Válasszon nagyobb teljesítményt a gyorsabb láncsebességhez. Ha a fűrészlánc munka közben kiszárad, állítsa le a motort. és válasszon nagyobb olajkibocsátási sebességet.

Ha az olajsint alacsony, az alacsony olajsint jelzője az olajkibocsátási sávok felett jelenik meg az LCD-képernyőn, és csak alacsony kibocsátási sebesség érhető el. Állítsa le a láncfűrész, és töltsze fel az olajtartályt **Az OLAJTARTÁLY FELTÖLTÉSE LÁNCVEZETŐ- ÉS LÁNCKENŐANYAG-GAL** fejezet szerint.

Az olajtartály feltöltése után járassa a láncfűrész körülbelül 10 másodpercig, hogy az automatikus kenőrendszer működni kezdjen, ekkor a jelző eltűnik az LCD-képernyőről.

MEGJEGYZÉS: Ha a jelző a fenti lépések végrehajtása után is látható az LCD-képernyőn, a rendszer megsérülhetett. Hagyja abba a láncfűrész használatát, és javítás céljából forduljon az EGO hivatalos szervizközpontjához.

LED-LÁMPA (O ábra)

A LED lámpa a láncfűrészház elején van elhelyezve. A lámpa megvilágítást biztosít a jobb láthatóság érdekében, és 2 fényerősséggel rendelkezik.

A lámpa bekapcsolásához nyomja meg egyszer a lámpa/Bluetooth gombot (M ábra). A lámpa alacsony fényerősségen bekapcsol, és az LCD-képernyőn megjelenik az alacsony fényerősségű lámpa ikonja. Nyomja meg újra a lámpa/Bluetooth gombot a nagy fényerősszint bekapcsolásához, és a nagy fényerősségű lámpa ikon jelenik meg az LCD-képernyőn.

A lámpa kikapcsolásához nyomja meg harmadszor a lámpa/Bluetooth gombot, és a lámpa ikon eltűnik az LCD-képernyőről.

0-1	Alacsony fényerősségű lámpa ikon	0-3	LED lámpa
0-2	Nagy fényerősségű lámpa ikon		

KOMMUNIKÁCIÓS TECHNOLÓGIA

A csatlakoztatott termékek és szolgáltatások teljes választékáról, valamint a csatlakoztatási utasításokról az alábbi QR-kód beolvasásával vagy a www.egopowerplus.eu/connect weboldalon tájékozódhat.



A FOGANTYÚK HELYES MEGFOGÁSA (P1 ÁBRA)

- Viseljen csúszásgátló kesztyűt a legjobb fogás és védelem érdekében.
- A láncfűrész legyen szilárd, sima felületen, és erősen fogja meg a láncfűrész két kézzel.
- Az előlő fogantyút mindig a bal kezével, a hátsót pedig a jobb kezével fogja.
- Az ujjai fogják körbe a fogantyút, a hüvelykujja az első fogantyú alatt legyen.

FIGYELMEZTETÉS: Soha ne használjon balkezes fogást (fordított fogás), és ne vegyen fel olyan testhelyzetet, amelyben láncfűrész a teste vagy a karja vonalában van.

FIGYELMEZTETÉS: Ne működtesse a sebességszabályozó kapcsolót a bal kezével, és miközben az előlő fogantyút a jobb kezével tartja. Soha ne engedje, hogy bármely testrésze egy vonalban legyen a láncsal, amikor működteti a láncfűrész (P2 ábra).

MEGFELELŐ VÁGÁSI TESTTARTÁS (Q ÁBRA)

- Mindkét lába legyen szilárd talajon, és a testsúly egyenletesen legyen a kettő között elosztva.
- A bal karja legyen egyenes, a könyöké kinyújtva. Ez segít ellenállni a visszarúgás által generált erőknél.
- A teste mindig legyen a láncfűrész vonalának bal oldalán.

ALAPVETŐ UTASÍTÁSOK A HELYES DÖNTÉSI, GALLYAZÁSI ÉS KERESZTVÁGÁSI TECHNIKÁKRA VONATKOZÓLAG

FIGYELMEZTETÉS: Mindig legyen biztos a testhelyzete, és a láncfűrész erősen tartsa két kézzel, amikor jár a motor.

FIGYELMEZTETÉS: Amikor a fűrészlánc vágás közben becsípődés miatt leáll, akkor engedje el a szabályozó kapcsolót; vegye le a fűrészláncot és a láncvezetőt a fáról, majd indítsa újra a láncfűrész.

FIGYELMEZTETÉS: Ne húzza a fűrészláncot kézzel, ha beakad a fűrészpor miatt. Ha a láncfűrész véletlenül

elindul, súlyos sérülést okozhat. Nyomja rá a fűrészláncot a fára, mozgassa a láncfűrész elöre és hátra, hogy megszabadítsa a szennyeződéstől. Tisztítás előtt mindig vegye ki az akkumulátoregységet Viseljen védőkesztyűt, amikor a fűrészláncot kezeli.

▲ FIGYELMEZTETÉS: Soha ne indítsa el a láncfűrész, amikor a fához ér. A láncfűrész mindig érje el a teljes sebességet, mielőtt a láncfűrész a fához érinti.

FADÖNTÉS

- Ha az aprítási és döntési műveleteket két vagy annál több személy végzi egyidejűleg, a döntési művelet legalább a döntendő fa magasságának kétszeres távolságában kell az aprítási művelettől elkülöníteni. Nem szabad olyan módon dönteni a fát, amely bármely személyt veszélyeztethet, közműveleteket találhat el, vagy vagyoni kárt okozhat. Ha a fa elektromos vezetékkel érintkezik, akkor a közművállalatot azonnal értesíteni kell.
- A láncfűrész kezelőjének a terület hegymenetű részén kell maradnia, mert a döntés után a fa valószínűleg legurul vagy lecsúszik.
- A vágások megkezdése előtt tervezze meg, és szükség esetén tisztítsa meg a menekülési útvonalat. A menekülési útvonalat a várható fadőléstől hátrafelé és arra átlósan kell megtervezni, hogy az R ábrán látható.

HU

R-1	Döntési irány
R-2	Biztonsági menekülési útvonal

- A döntés megkezdése előtt vegye figyelembe a fa természetes dőlésirányát, a nagyobb ágak helyét és a szélirányt a fa dőlésének felmérésekor.
- Távolítsa el a szennyeződést, laza kérget, szegeket, kapcsolatokat és huzalokat a fáról.

Alsó bevágás

A dőlésirányra merőlegesen készítsen a fa átmérőjének 1/3-áig bevágást, ahogy az S ábrán látható. Először az alsó vízszintes bevágást készítse el. Ezzel segít megakadályozni a fűrészlánc vagy a láncvezető beszorulását a második bevágás készítésekor.

S-1	Dőlésirány	S-3	Hátdöntési vágás
S-2	Bevágás	S-4	Pánt

Hátdöntési vágás

- A vízszintes bevágásnál legalább 50 mm-rel magasabban készítsen hátdöntési vágást, ahogy az S ábrán látható. Tartsa a hátdöntési vágást a vízszintes bevágással párhuzamosan. Úgy készítse el a hátdöntési bevágást, hogy elegendő fa maradjon, amely csuklóként tud működni. A csukló fa megakadályozza, hogy a fa rossz irányba tekeredjen, vagy dőljön. Ne vágja át a csuklót.
- A döntés közeledtével a csuklóhoz a fa dőlni kezd. Amennyiben bármilyen esélye van annak, hogy a fa nem a kívánt irányba fog dőlni, vagy visszapatlanhat, és beakaszthatja a fűrészláncot, állítsa le a vágást a visszadőlés befejeződése előtt, és fa, műanyag vagy alumínium ékkel nyissa meg a vágást, és engedje a fát a kívánt dőlési vonalba dőlni.
- Amikor a fa elkezd dőlni, vegye ki a láncfűrész a vágásból, állítsa le a motort, tegye le a láncfűrész, majd használja a megtervezett menekülési útvonalat. Álljon készen arra, hogy a feje feletti ágak leesnek, és ügyeljen a stabil álló helyzetre.

Gallyazás

Az ágazás során a ledől fáról kell eltávolítani az ágakat. Ágazáskor hagyja meg a nagyobb alsó ágakat, hogy azok eltartsák a fát a talajtól. Egy vágással távolítsa el a kisebb ágakat a T ábrán látható módon. A megfeszült ágakat lentről felfelé kell vágni, hogy elkerülje a láncfűrész beszorulását.

Fatörzsek aprítása

Az aprítás során kisebb darabokra kell vágni a rönköket. Fontos a stabil álló helyzetről gondoskodni, és ügyeljen arra, hogy a testsúlya egyenletesen legyen megosztva a lábain. Amikor lehetséges, a rönkök ágak, rönkök vagy ékek használatával kell megemelni, és alátámasztani. Kövesse az egyszerű utasításokat a könnyű vágás érdekében.

Amikor a rönk az U1 ábrán látható módon a teljes hosszán alá van támasztva, felülről végezze a vágást (főlvágás).

Amikor a rönk az U2 ábrán látható módon az egyik végénél van alátámasztva, akkor alulról vágjon az átmérő 1/3-áig (alávágás). Ezután alulról fejezze be a felső vágást, amíg az első vágással nem találkozik.

Amikor a rönk az U3 ábrán látható módon mindkét végénél alá van támasztva, akkor felülről vágjon az átmérő 1/3-áig (túlvágás) Ezután alulról fejezze be a vágást 2/3-ig, amíg az első vágással nem találkozik.

Lejtőn történő méretek vágásnál mindig a rönk emelkedő oldalán kell állni a V ábrán látható módon.

„Átvágáskor”, a teljes irányítás fenntartása érdekében

csökkentse a vágási nyomást a vágás vége felé, közben nem lazítva meg a láncfűrész fogantyúin a fogást. Ne engedje, hogy a lánc a talajjal érintkezzen. A vágás befejezése után várjon, amíg a fűrészlánc leáll, mielőtt elmozdítaná a láncfűrész. Mindig állítsa le a motort, amikor fától fáig halad.

KARBANTARTÁS

▲ FIGYELMEZTETÉS: Javításkor használjon azonos pótalkatrészeket. Bármilyen más alkatrész használata veszélyt okozhat, vagy megrongálhatja a terméket. A biztonságosság és megbízhatóság biztosítása érdekében minden javítást szakképzett szerviztechnikusnak kell elvégeznie.

▲ FIGYELMEZTETÉS: A súlyos személyi sérülések elkerülése érdekében vegye ki az akkumulátoregységet a láncfűrészből ellenőrzés, tisztítás vagy karbantartás előtt. Az akkumulátorral működtetett szerszám mindig be van kapcsolva, ha az akkumulátor be van helyezve, és bármikor elindulhat véletlenszerűen.

▲ FIGYELMEZTETÉS: A láncfűrész tisztításkor NE merítse vízbe vagy más folyadékokba.

▲ FIGYELMEZTETÉS: Fékolaj, üzemanyag, petróleum alapú termékek, behatólajak stb. soha ne érintkezzenek a műanyag alkatrészekkel. A vegyszerek megrongálhatják, gyengíthetik vagy megsemmisíthetik a műanyagot, ami súlyos személyi sérülést okozhat.

TISZTÍTÁS

- Minden használat után tisztítsa le a szennyeződést a láncról és a láncvezetőről egy puha kefével. Törölje le a láncfűrész felületét egy tiszta, kímélő szappanos oldattal megnedvesített ruhával.
- Vegye le az oldalsó burkolatot, majd egy puha kefével távolítsa el a szennyeződéseket a láncvezetőről, fűrészláncról, a lánckerékről és az oldalsó burkolatról.
- Körülbelül 8 üzemóránként távolítsa el az alsó burkolatot, majd egy puha kefével távolítsa el a szennyeződést a gép belsejéből és a burkolatról (W ábra).
- Mindig tisztítsa le a fafogócsokat, fűrészport és szennyeződést a láncvezető burkolatról, amikor kicseréli a fűrészláncot.

A LÁNCVEZETŐ KARBANTARTÁSA

Ha a láncvezető kopás jeleit mutatja, akkor szerelje le a láncfűrész fejről, és a visszaszereléshez fordítsa meg (X1 ábra). Ebben az esetben a láncvezető kopása megoszlik a

maximális élettartam érdekében.

A láncvezetőt minden nap meg kell tisztítani, és ellenőrizni kell sérülések és kopás szempontjából (X2 ábra). A láncvezető sínek lesimítása és sorjátlanítása normál folyamat a láncvezető kopása esetén. Az ilyen hibákat akkor kell lecsiszolni egy reszelővel, amikor jelentkeznek. A láncvezetőt a következő hibák esetén ki kell cserélni.

- Kopás a láncvezető síneken, ami lehetővé teszi, hogy a lánc az oldalára feküdjön.
- Elgömbült láncvezető.
- Megrepedt vagy törött sínek.
- Szétnyílt sínek.

Ezenkívül a láncvezető végén egy lánckerékkel is rendelkezik (X3 ábra).

A lánckereket hetente be kell kenni zsíró fecskendővel a láncvezető élettartamának meghosszabbítása érdekében. Használjon zsíró fecskendőt, amikor hetente bekenni lánccolajjal az olajozó nyílás segítségével (W4 ábra). Fordítsa át a láncvezetőt, és ellenőrizze, hogy az olajozó nyílások és a láncvezető szennyezettek-e.

X-1	Láncvezető sínek	X-3	Olajozó nyílás
X-2	Lánckerek a láncvezető hegyben		

MEGJEGYZÉS: A lehető legjobb eredmény érdekében használjon EGO által engedélyezett kenőanyagokat.

SZÁLLÍTÁS ÉS TÁROLÁS

Működés közben ne szállítsa a láncfűrész. Tárolás vagy szállítás előtt mindig vegye ki az akkumulátoregységet.

Mindig helyezze a láncvezető tokot a láncvezetőre, mielőtt elteszi vagy szállítja a láncfűrész. Legyen elővigyázatos, ne érjen a lánc éles fogaihoz.

Tárolás előtt alaposan tisztítsa meg a láncfűrész. A láncfűrész beltéren, olyan száraz helyen tárolja, amely le van zárva, és/vagy amelyhez gyermekek nem tudnak hozzáférni.

Tartsa távol maró hatású szerektől, például kerti vegyszerektől, és jégmentesítő sótól.

KÖRNYEZETVÉDELLEM



Ne dobja az elektromos felszerelést, az elhasznált akkumulátort és a töltőt a háztartási hulladékok közé!

Vigye hivatalos újrahasznosító telephelyre, és tegye hozzáférhetővé a szelektív gyűjtéshez. Az elektromos eszközöket megfelelő környezetbarát újrahasznosító üzembe kell vinni.

HU

HIBAELHÁRÍTÁS

▲ FIGYELMEZTETÉS: Mindig védje a kezét védőkesztyűvel, amikor karbantartást végez a fűrészláncon. Mindig vegye ki az akkumulátoregységet a láncfűrész szervizelése vagy szállítása közben.

PROBLÉMA	OK	MEGOLDÁS
A motor nem indul el.	<ul style="list-style-type: none"> ■ Az akkumulátoregység nincs csatlakoztatva a láncfűrészhez. ■ Nincs elektromos kapcsolat a láncfűrész és az akkumulátoregység között. ■ Ha az üzemanyagszint-mérő köre az LCD-képernyőn villog, az akkumulátoregység lemerült. ■ Ha a magas hőmérséklet jelzője megjelenik az LCD-képernyőn, az akkumulátoregység vagy a láncfűrész túl forró. ■ Ha a láncfék ikon megjelenik az LCD-képernyőn, a láncfék be van kapcsolva. ■ Szennyeződés van a láncvezetőn. ■ Szennyeződés van az oldalsó burkolaton. 	<ul style="list-style-type: none"> ■ Csatlakoztassa az akkumulátoregységet a láncfűrészhez. ■ Vegye ki az akkumulátoregységet, ellenőrizze a csatlakozásokat, és helyezze vissza az akkumulátoregységet. ■ Töltse fel az akkumulátoregységet. ■ Hagyja kihűlni az akkumulátoregységet vagy a láncfűrész 67°C alatti hőmérsékletre. ■ Húzza hátrafelé a visszarúgás elleni féklapátot az első fogantyú felé, hogy működési helyzetbe kerüljön. ■ Nyomja rá a fűrészláncot a fára, mozgassa a láncfűrész előre és hátra, hogy megszabadítsa a szennyeződéstől. ■ Vegye ki az akkumulátoregységet, majd vegye le az oldalsó burkolatot, és tisztítsa meg a szennyeződéstől.
A sebesség mód nem változtatható.	<ul style="list-style-type: none"> ■ A láncsebesség váltó törmelék miatt elakadt. 	<ul style="list-style-type: none"> ■ A láncsebesség váltó körül tisztítsa ki a törmeléket.
A láncfűrész működés közben váratlanul leáll.	<ul style="list-style-type: none"> ■ A láncfűrész túlterhelt. ■ Ha a magas hőmérséklet jelzője megjelenik az LCD-képernyőn, az akkumulátoregység vagy a láncfűrész túl forró. ■ A fűrészlánc beakadt a fába. ■ Ha a láncfék ikon villog az LCD-képernyőn, a fűrész a minden irányú láncfékrendszer leállítja. 	<ul style="list-style-type: none"> ■ Csökkentse a terhelést. ■ Hagyja kihűlni az akkumulátoregységet vagy a láncfűrész 67°C alatti hőmérsékletre. ■ Engedje el a ravasz; vegye le a láncfűrész és a láncvezetőt a fáról, majd indítsa újra a láncfűrész. ■ Engedje el a ravasz; vegye le a láncfűrész és a láncvezetőt a fáról, majd indítsa újra a láncfűrész.
A motor jár, de a lánc nem forog.	<ul style="list-style-type: none"> ■ A lánc nem illeszkedik a lánckerékre. 	<ul style="list-style-type: none"> ■ Tegye vissza a láncot, és győződjön meg róla, hogy a lánc lánchajtó szemei teljesen felfekszenek-e a lánckeréken.

HU

PROBLÉMA	OK	MEGOLDÁS
A láncfék nem kapcsolódik be.	<ul style="list-style-type: none"> ■ A szennyeződés megakadályozza a visszarúgás elleni féklapát teljes mozgását. ■ A láncfék esetleg meghibásodott. 	<ul style="list-style-type: none"> ■ Tisztítsa meg a szennyeződésektől a külső láncfék mechanizmust. ■ A javításhoz forduljon az EGO ügyfélszolgálatához.
A láncfűrész nem megfelelően vág.	<ul style="list-style-type: none"> ■ Nem megfelelő láncfeszesség. ■ Tompa a lánc. ■ A lánc fordítva van felszerelve. ■ Elkopott a lánc. ■ Száraz vagy túlságosan megnyúlt a lánc. ■ A lánc nincs a láncvezetőn. 	<ul style="list-style-type: none"> ■ Állítsa be a láncfeszességet a következő fejezet szerint: „A LÁNCFESZESSÉG BEÁLLÍTÁSA” ■ Élezze meg a láncot. ■ Helyezze vissza a fűrészláncot a „LÁNCVEZETŐ ÉS LÁNC BESZERELÉSE/CSERÉJE” fejezetben leírt módon. ■ Helyezze vissza a láncot a következő fejezet szerint: „A LÁNCVEZETŐ ÉS A LÁNC BESZERELÉSE/CSERÉJE” ■ Ellenőrizze az olajsintet. Töltsse újra az olajtartályt, és szükség esetén válasszon nagyobb olajmennyiséget. ■ Helyezze vissza a fűrészláncot a következő fejezet szerint: „A LÁNCVEZETŐ ÉS A LÁNC BESZERELÉSE/CSERÉJE”.
A lánc a normál használat során meglazul vagy leesik a láncvezetőről.	<ul style="list-style-type: none"> ■ Normál fűrészelés közben a lánc a hőmérséklet növekedés hatására meglazul. ■ A lánc nem illeszkedik a lánckerékre. 	<ul style="list-style-type: none"> ■ A lánc feszességének beállításához lásd „A LÁNCFESZESSÉG BEÁLLÍTÁSA” c. fejezetet. ■ Helyezze vissza a fűrészláncot a következő fejezet szerint: „A LÁNCVEZETŐ ÉS A LÁNC BESZERELÉSE/CSERÉJE”.
A láncvezető és a lánc forró és füstöl.	<ul style="list-style-type: none"> ■ Ha az alacsony olajsint jelző megjelenik az LCD-képernyőn, a láncolajtartály üres. ■ Szennyeződés van a láncvezetőn. 	<ul style="list-style-type: none"> ■ Ellenőrizze az olajsintet. Töltsse fel az olajtartályt, ha szükséges. ■ Távolítsa el a szennyeződéseket a láncvezetőről.

PROBLÉMA	OK	MEGOLDÁS
Az LCD-képernyőn megjelenik az alacsony olajsint jelző, annak ellenére, hogy elegendő olaj van az olajtartályban, vagy kevés olaj van az olajtartályban, de a LCD-képernyő mégsem mutatja az alacsony olajsint jelzőt. Az olajsintérzékelő komponens még nem érzékelte a valódi olajsintet az olajcsőben maradt olaj vagy levegő miatt.	<ul style="list-style-type: none">■ Az olajsintérzékelő komponens még nem érzékelte a valódi olajsintet az olajcsőben maradt olaj vagy levegő miatt.■ Olajsintérzékelő komponensének meghibásodása.	<ul style="list-style-type: none">■ Várjon néhány percet, amíg a maradék olaj vagy levegő nem távozik az olajcsőből.

GARANCIA

EGO GARANCIÁLIS FELTÉTELEK

Kérjük, látogasson el az egopowerplus.eu oldalra, ahol megtalálja a részletes EGO garanciális feltételeket.

HU

CITIȚI TOATE INSTRUCȚIUNILE!



CITIȚI MANUALUL DE INSTRUCȚIUNI

⚠️ AVERTISMENT: Pentru siguranța și fiabilitatea produsului, toate reparațiile trebuie efectuate de către un tehnician de service autorizat.

⚠️ AVERTISMENT: Asigurați-vă că ați citit și înțelegți toate instrucțiunile privind siguranța din acest Manual de utilizare, inclusiv toate simbolurile de alertă privind siguranța precum "PERICOL", "AVERTIZARE" și "ATENȚIE" înainte de a utiliza această sculă. Nerespectarea tuturor instrucțiunilor enumerate mai jos poate duce la electrocutare, incendiu și/sau vătămări corporale grave.



Alertă privind siguranța



Purtați echipament de protecție oculară



Purtați echipament de protecție a capului



Aveți grijă la reculul ferăstrău cu lanț și evitați contactul cu vârful barei.



Informația privind șina de ghidare



Nivel de putere acoustică garantat. Emisii sonore în mediul înconjurător conform Directivei comunitare europene.



Acest produs este în conformitate cu directivele europene aplicabile.



Bluetooth®

mm

Milimetru

V

Tensiune

IPX5

Protecție împotriva jeturilor de apă

PĂSTRAȚI TOATE AVERTISMENTELE ȘI INSTRUCȚIUNILE PENTRU CONSULTARE ULTERIOARĂ.

SIMBOLURI PRIVIND SIGURANȚA

⚠️ AVERTISMENT: Exploatarea oricăror scule electrice se poate solda cu ricoșarea de obiecte străine în ochii dumneavoastră, ceea ce se poate solda cu vătămarea gravă a ochilor. Înainte de a începe să utilizați scula electrică, echipați-vă întotdeauna cu ochelari de protecție cu apărători laterali și vizieră pentru față, atunci când este nevoie. Vă recomandăm să purtați o vizieră lată de protecție peste ochelarii de vedere sau ochelari de protecție standard cu apărători laterale.



Pentru a reduce riscul de vătămare, utilizatorul trebuie să citească și să înțeleagă manualul de instrucțiuni înainte de a utiliza acest produs.



Purtați echipament de protecție auditivă



Purtați mănuși de protecție



Recul vârf șină de ghidare



Folosiți întotdeauna ferăstrăul cu lanț cu două mâini



Deșeurile produselor electrice nu trebuie să fie eliminate împreună cu deșeurile menajere. Predați-le unui punct de reciclare autorizat.



Acest produs este în conformitate cu legislația aplicabilă din Marea Britanie.



Curent continuu

n_0

Turație de mers în gol

./min

Pe minut

RO

NOTĂ: Marca mondială și logo-urile Bluetooth® sunt mărci înregistrate deținute de Bluetooth SIG, inc. și orice utilizare a acestor mărci de către EGO se face sub licență.

SPECIFICAȚII

Tensiune nominală	56V	
Max. Viteza Lanțului	30 m/s	
Pasul lanțului	8.255 mm / 0.325"	
Adâncime dinte lanț	1.3 mm	
Lungime șină de ghidare	50 cm	
Modelul lanțului de ferăstrău	AC2035 (recomandat)	
	AC1635, AC1835 (Compatibil)	
Model cu lanț și bară de ghidare	AK2035 (recomandat)	
	AK1635, AK1835 (Compatibil)	
Capacitate rezervor de ulei de lanț	250 ml	
Greutate (fără acumulator, lanț de fierăstrău, șina de ghidare, capac lateral, ulei și teacă de lanț)	4.3 kg	
Temperatură de funcționare recomandată	-15°C-40°C	
Temperatură de depozitare recomandată	-20°C-70°C	
Temperatura de încărcare recomandată	5°C-40°C	
Nivel de putere sonoră măsurată L_{WA}	102 dB(A) K=2.3 dB(A)	
Nivel de presiune sonoră în poziția operatorului L_{PA}	92 dB(A) K=3 dB(A)	
Nivel de putere sonoră garantată L_{WA} (conform directivei 2000/14/CE)	104 dB(A)	
Vibrații a_n	Mâner frontal	3.3 m/s ² K=1.5 m/s ²
	Mâner posterior	1.74 m/s ² K=1.5 m/s ²

- Valoarea totală declarată a vibrațiilor a fost măsurată în conformitate cu o metodă standard de testare și poate fi utilizată pentru compararea sculelor între ele;
- Valoarea totală declarată poate fi utilizată în evaluarea preliminară a expunerii.

OBSERVAȚIE: Vibrațiile emise în timpul utilizării efective a sculei electrice pot diferi față de valoarea celor declarate

pentru scula utilizată; Pentru protejarea operatorului, utilizatorul trebuie să poarte mănuși și protecții auditive în timpul utilizării efective a produsului.

LISTA COMPONENTELOR (FIG. A1)

DESCRIEREA

DESCRIEREA FERĂSTRĂULUI DUMNEAVOASTRĂ CU LANȚ (Fig. A1)

1. Lanț de ferăstrău
2. Pedală de frână pentru reculul lanțului
3. Mâner frontal
4. Ecran LCD
5. Nivel de viteză
6. Pictograma Bluetooth
7. Pictograma iluminator
8. Pictograma Frână
9. Indicator de temperatură ridicată
10. Cerc pentru indicatorul de combustibil
11. Nivelul curent de încărcare
12. Indicator de nivel scăzut de ulei
13. Butonul pentru iluminator/Bluetooth
14. Buton de alimentare cu ulei
15. Nivel de ieșire de ulei
16. Buton de blocare
17. Trăgaci declanșator
18. Mâner posterior
19. Comutatorul de viteză în lanț
20. Buton de eliberare a acumulatorului
21. Hubloul de vizualizare ulei
22. Capac rezervor de ulei
23. Șină de ghidare
24. Orificiu de lubrifiere
25. Șurub de tensionare a lanțului
26. Capac lateral
27. Piulițe de blocare
28. Gheară
29. Iluminator cu LED
30. Teacă pentru lanț
31. Cheie multifuncțională

ASAMBLARE

ASAMBLAREA/ÎNLOCUIREA ȘINEI DE GHIDARE ȘI A LANȚULUI

⚠️ AVERTISMENT: Reglați mânerul frânei de la lanțul de recul în poziția de frânare, înainte de asamblare.

1. Poziționați blocul motor al ferăstrăului cu lanț pe o parte cu capacul lateral îndreptat în sus (Fig. B).
2. Îndepărtați capacul lateral prin rotirea celor două piulițe de blocare în sens invers acelor de ceasornic.
3. Rotiți șurubul de tensionare a lanțului în sens invers acelor de ceasornic pentru a slăbi tensiunea lanțului.
4. Așezați lanțul de ferăstrău într-o buclă pe o suprafață dreaptă și îndreptați orice răsuciri.
5. Amplasați verigile conductoare ale lanțului pe canelura șinei de ghidare și așezați lanțul pe șină, de-a lungul ei (Fig. D).
6. Mențineți lanțul poziționat pe șina de ghidare și amplasați bucla lanțului în jurul roții de lanț a ferăstrăului cu tijă (Fig. E1).

B-1	Piulițe de blocare	D-2	Canelură șină de ghidare
B-2	Șurub de tensionare a lanțului	E-1	Pinion de conducere
D-1	Verigi de transmisie lanț		

OBSERVAȚIE: Atunci când înfășurați lanțul ferăstrăului pe șina de ghidare, asigurați-vă că, după montarea șinei de ghidare pe ferăstrău, se potrivește cu modelul de tăiere și săgeata direcției de rotație de pe carcasă. Dacă sunt în direcții opuse, reasamblați lanțul de ferăstrău pe șina de ghidare cu u țaișurile orientate în aceeași direcție (Fig. E2).

7. Repoziționați capacul lateral pe carcasa ferăstrăului cu lanț și strângeți complet ambele piulițe de blocare.
8. Rotiți lanțul manual pentru a verifica dacă lanțul este asamblat corect fără legare. În caz contrar, reasamblați lanțul și șina.

OBSERVAȚIE: Pentru a prelungi durata de viață a șinei de ghidare, din când în când inversați șina.

REGLAREA TENSIUNII LANȚULUI

- Înainte de a regla tensiunea lanțului, opriți motorul și îndepărtați setul de acumulatori. Rotiți șurubul de tensionare a lanțului în sensul acelor de

ceasornic sau în sens invers pentru a regla tensiunea lanțului (Fig. F) până când lanțul se așează perfect pe șina de ghidare, cu verigile de transmisie în canelura șinei de ghidare.

- Un lanț rece este tensionat corect când nu atârnă în partea inferioară a șinei de ghidare, iar lanțul este tensionat, dar poate fi deplasat cu mâna fără să se întepenească. Lanțul trebuie tensionat de fiecare dată când plăcuțele de pe verigile de transmisie nu stau așezate în canelura șinei.
- În timpul operației de tăiere, temperatura lanțului va crește. Verigile de transmisie a unui lanț cald tensionat corect vor atârna la aproximativ 1,3 mm în afara canelurii șinei (Fig. G).

OBSERVAȚIE: Lanțurile noi au tendința să se întindă; verificați frecvent tensiunea lanțului și tensionați în funcție de cum este nevoie.

OBSERVAȚIE: Un lanț tensionat cât timp este cald poate fi prea tensionat când este răcit. Verificați tensiunea la rece înaintea următoarei utilizări.

FUNCȚIONARE

⚠️ AVERTISMENT: Nu permiteți ca familiarizarea cu acest produs să vă determine să fiți neatent. Amintiți-vă că o fracțiune de secundă de neatenție este suficientă pentru a provoca vătămări grave.

⚠️ AVERTISMENT: Nu utilizați nicio componentă sau accesoriu care nu a fost recomandat de producătorul acestui produs. Utilizarea de accesorii nerecomandate se poate solda cu vătămări grave.

⚠️ AVERTISMENT: Pentru a preveni pornirea accidentală care ar putea cauza vătămări personale grave, întotdeauna scoateți setul de acumulatori din sculă când asamblați componente, efectuați reglaje sau când produsul nu este utilizat.

Înaintea fiecărei utilizări, inspectați întregul produs pentru depistarea defectelor, componentelor lipsă sau slăbite precum șuruburi, piulițe, bolțuri, capace etc. Strângeți bine toate elementele de prindere și capacele și nu utilizați acest produs dacă piesele lipsă sau defecte nu sunt înlocuite.

APLICAȚII

Puteți utiliza acest produs pentru doborârea simplă a copacilor, tăierea crengilor, curățarea copacilor și decuparea cherestelei și a copacilor.

OBSERVAȚIE: Mașina trebuie utilizată numai în scopul

RO

pentru care a fost proiectată. Orice altă utilizare este considerată a fi caz de utilizare necorespunzătoare.

UMPLEREA CU LUBRICANT DE ȘINĂ ȘI DE LANȚ

⚠️ AVERTISMENT: Nu fumați și nu aduceți în apropierea uleiului sau a ferăstrăului cu lanț surse de foc sau flăcări. Uleiul se poate deversa și cauza un incendiu.

OBSERVAȚIE: În momentul cumpărării, ferăstrăul cu lanț nu este umplut cu ulei. Este esențial să umpleți rezervorul cu ulei înainte de utilizare. Lanțul este uns automat cu ulei de lanț în timpul funcționării.

1. Poziționați ferăstrăul cu lanț pe partea cu u capacul rezervorului orientat în sus.
2. Curățați capacul rezervorului de ulei și zona din jurul acestuia pentru a vă asigura că nu cade murdărie în rezervorul de ulei.
3. Ridicați placa semicirculară și rotiți capacul rezervorului de ulei în sens invers acelor de ceasornic pentru a-l scoate (Fig. H).
4. Se toamnă cu atenție ulei pentru șina și lanț în rezervor. Umpleți până la partea de jos a gătului de umplere.
5. Ștergeți uleiul în exces și repuneți capacul la loc.

OBSERVAȚIE: Verificați frecvent nivelul uleiului și umpleți-l atunci când nivelul uleiului scade sub linia minimă. Nu acționați niciodată ferăstrăul cu lanț dacă uleiul nu este vizibil.

RO

ATAȘAREA/DETAȘAREA SETULUI DE ACUMULATORI

NOTĂ: Cercul indicatorului de combustibil de pe ecranul LCD indică nivelul de încărcare a bateriei (Fig. A1). Cercul va clipi atunci când încărcarea bateriei este aproape de epuizare. Reîncărcați complet setul dvs. de acumulatori înaintea primei utilizări.

Utilizați numai seturile de acumulatori EGO și încărcătoarele prezentate în Fig. A2.

Încărcați acumulatorul complet înainte de prima utilizare.

Pentru atașare

Aliniați nervurile de pe acumulator cu fantele de montare și apăsați în jos setul de acumulatori până la auzul unui clic (Fig. I).

Pentru detașare

Apăsați butonul de detașare al setului de acumulatori și scoateți setul de acumulatori (Fig. J).

PORNIREA/OPRIREA FERĂSTRĂULUI CU LANȚ

OBSERVAȚIE: Înainte de pune în funcțiune ferăstrăul cu lanț, verificați nivelul uleiului, gradul de ascuțire al dinților de tăiere și asigurați-vă că mânerul frânei de recul funcționează corect. Pe lângă acestea, o poziționare echilibrată și o distanțare corectă de sol sunt necesare.

Pentru a porni (Fig. K)

1. Trageți paleta frânei pentru reculul lanțului înspre mânerul frontal în poziția de funcționare (Fig. K).
2. Apucați ferm mânerul frontal cu mâna stângă și mânerul posterior cu mâna dreaptă.

⚠️ AVERTISMENT: Pentru a evita rănirea, utilizați întotdeauna ferăstrăul cu lanț cu mâna dreaptă, apucând zona de prindere a mânerului din spate (Fig. L).

3. Apăsați și țineți apăsat butonul de blocare cu degetul mare al mâinii drepte, apoi strângeți comutatorul de declanșare cu degetele mâinii drepte pentru a porni ferăstrăul. (Fig. L).

L-1	Zona de prindere
-----	------------------

4. Eliberați butonul de siguranță și strângeți în continuare comutatorul de declanșare pentru funcționare continuă.
5. Cu cât comutatorul de declanșare este apăsat mai mult, cu atât viteza este mai mare. Reglați viteza pentru a se potrivi sarcinii de îndeplinit.

⚠️ AVERTISMENT: Nu încercați să porniți ferăstrăul când lanțul ferăstrăului este într-o tăietură.

Oprirea

1. Mutați ferăstrăul cu lanț departe de zona de tăiere, și apoi eliberați comutatorul de declanșare pentru a opri ferăstrăul cu lanț.
2. Împingeți paleta frânei pentru reculul lanțului înspre înainte înspre poziția de frânare pentru activarea frânei de lanț (Fig. K).

⚠️ AVERTISMENT: Întotdeauna scoateți setul de acumulatori din mașină în timpul pauzelor de lucru și după terminarea lucrării.

SCHIMBAREA MODULUI DE VITEZĂ (FIG. M)

Acest aparat are trei moduri de viteză. Fiecare mod de viteză limitează viteza maximă a ferăstrăului cu lanț. Modul de viteză se va schimba la fiecare apăsare a comutatorul viteză lanț.

Nivelele de viteză de pe ecranul LCD vor afișa modul de viteză activ: o bară pentru viteză mică, două bare pentru viteză medie și trei bare pentru viteză mare. Modul de viteză redusă (ECO) asigură un control mai bun al mașinii și un timp de funcționare mai lung la fiecare încărcare.

M-1	Nivel de viteză	M-7	Nivelul curent de încărcare
M-2	Pictograma Bluetooth	M-8	Butonul pentru iluminator/Bluetooth
M-3	Pictograma iluminator	M-9	Buton de alimentare cu ulei
M-4	Pictograma Frână	M-10	Comutatorul de viteză în lanț
M-5	Indicator de temperatură ridicată	M-11	Nivel de ieșire de ulei
M-6	Cerc pentru indicatorul de combustibil	M-12	Indicator de nivel scăzut de ulei

NOTĂ: Atunci când se utilizează un acumulator EGO de 4,0 Ah sau mai puțin, este disponibil doar modul ECO. Iar utilizarea unui pachet de baterii EGO cu o capacitate nominală mai mică de 6,0Ah nu vă va permite să atingeți o viteză mare. Pentru cele mai bune performanțe, vă recomandăm insistent să folosiți acumulatorii EGO de 6,0 Ah (ca de exemplu BA3360T) sau mai mult.

NOTĂ: Ferăstrăul cu lanț are funcția de memorare a vitezei lanțului. Data viitoare când ferăstrăul cu lanț este pornit, modul de viteză utilizat anterior va fi activat.

NOTĂ: Ecranul LCD luminează la apăsarea comutatorului de declanșare sau la apăsarea butonului de alimentare cu ulei sau a butonului pentru lumină/Bluetooth. În mod implicit, ecranul LCD se stinge automat după aproximativ 1 secundă de inactivitate.

NOTĂ: Apăsarea comutatorului de viteză a lanțului nu va porni ecranul LCD.

NIVEL DE ÎNCĂRCARE (Fig. M)

Nivelul de încărcare din partea dreaptă a ecranului LCD arată sarcina curentă a mașinii. Numărul mai mare de bare indică sarcina mai mare, iar numărul mai mic de bare indică sarcina mai mică.

Această caracteristică este destinată în primul rând utilizatorilor experimentați de ferăstrău cu lanț alimentat cu combustibil, care ar putea să nu aibă „simțul” cum se comportă ferăstrăul alimentat cu baterie la diferite sarcini. Ajută utilizatorii să monitorizeze volumul de lucru, astfel încât să evite funcționarea îndelungată sub sarcină grea, ceea ce poate face ca ferăstrăul cu lanț să se oprească în timpul funcționării din cauza căldurii prea mari.

INDICATOR DE TEMPERATURĂ ÎNALTĂ (Fig. M)

Indicatorul de temperatură înaltă se aprinde când temperatura mașinii depășește 194°F (90°C) sau temperatura bateriei depășește 158°F (70°C) în timpul funcționării. Circuitul de protecție împotriva temperaturii va opri imediat mașina pentru a preveni deteriorarea prin supraîncălzire. Eliberați declanșatorul și așteptați până când mașina supra-încălzită sau bateria se răcește și indicatorul de temperatură ridicată se stinge, apoi reporniți mașina.

PICTOGRAMA FRÂNĂ (Fig. M)

Pictograma de frână apare pe ecranul LCD când paleta de frână este în poziția de frână.

Pictograma frânei va clipi când sistemul de frânare cu lanț omnidirecțional direcțional oprește ferăstrăul. Consultați următorul capitol pentru informații detaliate.

SISTEM DE FRÂNARE LANȚĂ OMNIDIRECȚIONAL (Fig. N1 și Fig. N2)

Sistemul de frânare omnidirecțional a lanțului nu este destinat să acționeze ca un substitut al frânei de lanț standard/tradiționale. Utilizatorul nu trebuie să se bazeze niciodată pe această funcție în timpul funcționării ferăstrăului cu lanț pentru a se proteja împotriva reculului. Respectați întotdeauna instrucțiunile de siguranță referitoare la atenuarea reculului care se găsesc în secțiunea de avertizare din acest manual.

Când sistemul omnidirecțional de frânare a lanțului este activat și oprește ferăstrăul, pictograma frânei va clipi pe ecranul LCD (Fig. M). Eliberați comutatorul de declanșare, scoateți lanțul de ferăstrău și bara de ghidare din lemn, apoi reporniți ferăstrăul cu lanț.

NOTĂ: Senzorii vor detecta doar mișcarea bruscă a ferăstrăului în planul șinei de ghidare (Fig. N1). Senzorii nu vor detecta nicio mișcare bruscă a ferăstrăului în lateral (Fig. N2) (adică perpendicular pe planul șinei de ghidare).

INDICATOR AL NIVELUL DE IEȘIRE A ULEIULUI ȘI NIVELUL SCĂZUT AL ULEIULUI (Fig. M)

Mașina unge automat lanțul. Acest ferăstrău cu lanț vă permite să schimbați debitul de ulei cu fiecare apăsare a

butonului de alimentare cu ulei.

NOTĂ: Debitul de ulei poate fi schimbat numai atunci când lanțul ferăstrăului nu funcționează.

Nivelul de ieșire de ulei pe ecranul LCD va afișa rata de ieșire a uleiului. O bară pentru o rată de ieșire scăzută, două bare pentru o rată de ieșire medie și trei bare pentru o rată de ieșire ridicată.

Alegeți o rată de ieșire mai mare pentru o viteză mai mare a lanțului. Dacă lanțul de ferăstrău se usucă în timpul lucrului, opriți motorul și alegeți o rată de ieșire de ulei mai mare.

Când nivelul uleiului este scăzut, pe ecranul LCD va apărea indicatorul de nivel scăzut al uleiului de deasupra barelor de ieșire a uleiului și va fi disponibil doar un nivel scăzut de ieșire. Opriți ferăstrăul cu lanț și reumpleți rezervorul de ulei urmând capitolul **UMPLEREA REZERVORULUI DE ULEI CU BARĂ ȘI LUBRIFIANT DE LANȚ**.

După umplerea rezervorului de ulei, rulați ferăstrăul cu lanț timp de aproximativ 10 secunde pentru a permite sistemului automat de lubrifiere să înceapă să funcționeze, iar indicatorul va dispărea de pe ecranul LCD.

OBSERVAȚIE: Dacă indicatorul este încă pe ecranul LCD după efectuarea pașilor de mai sus, sistemul poate fi deteriorat. Nu mai utilizați ferăstrăul cu lanț și contactați un centru de service autorizat EGO pentru reparații.

RO

Illuminatorul cu LED (Fig. O)

Illuminatorul cu LED-uri este amplasat în partea din față a carcasei ferăstrăului cu lanț. Illuminatorul oferă lumină pentru o vizibilitate sporită și dispune de 2 niveluri de luminozitate.

Pentru a aprinde iluminatorul, apăsați o dată butonul iluminator /Bluetooth (Fig. M). Illuminatorul se va aprinde la nivelul de luminozitate redusă și pe ecranul LCD va apărea pictograma iluminatorului cu luminozitate redusă. Apăsați din nou butonul iluminator/Bluetooth pentru a trece la nivelul de luminozitate ridicată, iar pictograma iluminatorului de luminozitate ridicată va apărea pe ecranul LCD.

Pentru a opri farurile, apăsați butonul iluminator/Bluetooth a treia oară, iar pictograma iluminatorului va dispărea de pe ecranul LCD.

0-1	Pictograma iluminator cu luminozitate scăzută	0-3	Illuminator cu LED
0-2	Pictograma iluminator de mare luminozitate		

TEHNOLOGIA COMUNICĂRII

Pentru informații despre întreaga noastră gamă de produse și servicii conectate, inclusiv instrucțiuni de conectare, vă rugăm să scanați codul QR de mai jos sau să vizitați www.egopowerplus.eu/connect.



PRINDEREA CORECTĂ A MÂNERELOR (FIG. P1)

- Purtați mănuși antiderapante pentru aderență maximă și protecție.
- Cu ferăstrăul așezat pe o suprafață fermă, dreaptă, apucați ferăstrăul cu ambele mâini.
- Întotdeauna apucați mânerul frontal cu mâna stângă și mânerul posterior cu mâna dreaptă.
- Degetele trebuie să cuprindă mânerul, cu degetul mare înfășurat sub mânerul frontal.

AVERTISMENT: Nu utilizați niciodată o poziție stângace (cu brațele încrucișate) sau orice altă poziție care v-ar poziționa corpul sau brațul peste linia lanțului.

AVERTISMENT: Nu acționați butonul de declanșare cu mâna stângă și țineți mânerul frontal cu mâna dreaptă. Nu permiteți niciodată unei părți a corpului să se situeze pe linia lanțului în timp ce acționați un ferăstrău cu lanț (Fig. P2).

POZIȚIA DE TĂIERE ADECVATĂ (FIG. Q)

- Ambele picioare trebuie poziționate stabil pe teren ferm, cu greutatea distribuită uniform între ele.
- Brațul stâng trebuie să fie drept, cu cotul blocat. Această poziție ajută la suportarea forțelor generate de recul.
- Corpul dumneavoastră trebuie întotdeauna poziționat în stânga lanțului.

INSTRUCȚIUNI PRIVIND TEHNICILE CORECTE DE DOBORÂRE BAZICĂ A COPACILOR, DE CURĂȚARE A CRENGILOR ȘI DE TĂIERE A BUȘTENILOR

AVERTISMENT: Asigurați-vă întotdeauna că aveți o poziție stabilă și țineți ferăstrăul cu fermitate cu ambele mâini în timp ce motorul funcționează.

AVERTISMENT: Când ferăstrăul este oprit datorită blocării în timpul tăierii, eliberați trăgaciul declanșator;

scoateți lanțul și șina de ghidare din lemn, după care reporniți ferăstrăul.

⚠️ AVERTISMENT: Nu scoateți lanțul cu mâinile când acesta este acoperit de rumeguș. Pot rezulta răni grave în cazul pomirii accidentale a ferăstrăului. Apăsați din nou ferăstrăul pe lemn, deplasați ferăstrăul cu lanț înainte și înapoi pentru îndepărtarea reziduurilor. Întotdeauna îndepărtați setul de acumulatori înainte de a curăța scula. Purtați mănuși de protecție super rezistente când manipulați lanțul ferăstrăului.

⚠️ AVERTISMENT: Nu porniți niciodată ferăstrăul când acesta este în contact cu lemnul. Întotdeauna așteptați ca ferăstrăul să atingă viteza maximă de funcționare înainte de a-l pune în contact cu lemnul.

DOBORÂREA UNUI COPAC

- Când operațiile de tăiere în bușteni și doborâre sunt executate de două sau mai multe persoane în același timp, operațiunile de doborâre ar trebui separate de cele de tăiere la o distanță de cel puțin dublă față de înălțimea copacului doborât. Copacii nu trebuie doborâți într-un mod care ar putea pune în pericol o altă persoană, doborî o linie de curent sau cauza pagube materiale. În cazul contactului unui copac cu vreo linie utilitară, furnizorul de utilități trebuie avertizat imediat.
- Operatorul ferăstrăului cu lanț trebuie să stea în partea superioară a pantei, întrucât copacul se poate rostogoli sau să alunece după ce este doborât.
- Trebuie planificat și curățat de obstacole un traseu de degajare după cum este necesar, înainte de a începe tăierea. Calea de evacuare ar trebui să se extindă înapoi și în diagonală spre spatele liniei de cădere așteptate, așa cum se arată în Fig. R.

R-1	Direcție de doborâre
R-2	Calea retragerii în siguranță

- Înainte de a începe tăierea, țineți seama de înclinarea naturală a copacului, de amplasamentul crengilor mai mari și de direcția vântului pentru a aprecia direcția de cădere a copacului.
- Îndepărtați murdăria, pietrele, coaja de copac dezlipită, cuiele, capselle și sârmele de pe copac.

Efectuarea unei creștături

Efectuați creștătura la 1/3 din diametrul copacului, perpendiculară pe direcția de cădere precum în ilustrația din Fig. S. Efectuați mai întâi o creștătură orizontală joasă.

Creștătura va ajuta la prevenirea prinderii fie a lanțului, fie a șinei de ghidare când a două creștătură este executată.

S-1	Direcția căderii	S-3	Tăietură de doborâre
S-2	Creștătură	S-4	Muchie de basculare

Tăietură de doborâre

- Efectuați tăierea din spate cu cel puțin 50 mm mai mare decât tăierea orizontală, așa cum se arată în figura S. Păstrați tăietura dorsală paralelă cu creștătura orizontală. Efectuați tăietura dorsală astfel încât să rămână suficient de mult lemn care să acționeze ca muchie pentru basculare. Muchia de basculare va împiedica rotirea și căderea copacului în direcția greșită. Nu secționați complet muchia.
- Pe măsură ce tăietura se apropie de muchia lăsată pentru basculare, copacul ar trebui să înceapă să cadă. În cazul în care există și cea mai mică posibilitate ca arborele să nu cadă în direcția dorită sau să se balanseze și să prindă lanțul, opriți tăierea înainte de secționarea completă și utilizați pene de lemn, plastic sau aluminiu pentru a mări tăietura și a face copacul să cadă în direcția dorită.
- Când copacul începe să cadă, scoateți ferăstrăul cu lanț din tăietură, opriți motorul, așezați produsul pe jos și luați-o pe traseul de degajare planuit. Atenție la crengile de deasupra ce pot să cadă și la unde pășiți.

RO

Tăierea crengilor unui copac doborât

Tăierea crengilor unui copac doborât reprezintă îndepărtarea ramurilor acestuia. Când efectuați această operație, lăsați crengile mai mari inferioare să sprijine copacul de sol. Îndepărtați crengile mici dintr-o singură tăietură precum în Fig. T. Ramurile aflate sub tensiune trebuie tăiate de jos în sus pentru a evita îndoirea ferăstrăului cu lanț.

Tăierea în bușteni

Tăierea în bușteni reprezintă secționarea copacului în lungimi stabilite. Este important să vă asigurați că picioarele sunt amplasate stabil și că greutatea corpului dumneavoastră este distribuită egal pe ambele picioare. Când este posibil, bușteanul trebuie ridicat și sprijinit cu ajutorul crengilor, a buștenilor sau a unor bucăți de lemn. Urmați aceste instrucțiuni simple pentru secționarea cât mai ușoară.

Când bușteanul este sprijinit pe întreaga lungime precum în Fig. U1, acesta trebuie secționat începând de sus (tăiere pe sus).

Când bușteanul este sprijinit la un capăt, precum este ilus-

trat în Fig. U2, tăiați 1/3 din diametru pe dedesubt (tăiere pe sub). Apoi efectuați tăietura finală pe deasupra pentru a întâlni prima tăietură.

Când bușteanul este sprijinit la ambele capete, precum în Fig. U3, tăiați 1/3 din diametru dinspre partea de sus a bușteanului (tăietura peste). Apoi efectuați tăietura finală pe dedesubt la 2/3 pentru a întâlni prima tăietură.

Când tăiați un buștean pe o pantă, stați întotdeauna mai sus de buștean, așa cum este ilustrat în Fig.V

Când tăiați complet bușteanul, pentru a menține controlul integral, reduceți presiunea de tăiere aproape de sfârșitul tăieturii, fără a relaxa mâinile care sunt pe mânerul ferăstrăului. Nu lăsați lanțul să intre în contact cu solul. După terminarea tăierii, așteptați ca lanțul ferăstrăului să se oprească înainte de a deplasa ferăstrăul. Întotdeauna opriți motorul înainte de a vă deplasa de la un copac la altul.

ÎNȚREȚINEREA

⚠️ AVERTISMENT: La depanare, utilizați numai piese de schimb identice. Utilizarea oricărui altor piese poate crea un pericol sau poate produce o deteriorare. Pentru siguranța și fiabilitatea produsului, toate reparațiile trebuie efectuate de către un tehnician de service autorizat.

⚠️ AVERTISMENT: Pentru evitarea rănilor personale grave, îndepărtați întotdeauna setul de acumulatori din produs, înainte de a inspecta, efectuați curățarea sau orice operație de întreținere. O sculă alimentată cu set de acumulatori instalat este întotdeauna pornită și poate demara accidental.

⚠️ AVERTISMENT: Când curățați ferăstrăul, NU îl scufundați în apă sau în oricare alt lichid.

⚠️ AVERTISMENT: Nu permiteți niciodată lichidelor de frână, benzinei, produselor petroliere, uleiurilor penetrante etc. să intre în contact cu piese din plastic. Substanțele chimice pot deteriora, pot slăbi sau pot distruge plasticul, ceea ce se poate solda cu vătămări grave.

CURĂȚARE

- După fiecare utilizare, îndepărtați reziduurile de pe lanț și de pe șina de ghidare cu ajutorul unei perii moi. Ștergeți suprafața ferăstrăului cu o cârpă curată, umezită cu o soluție ce conține un detergent slab.
- Îndepărtați capacul lateral, după care utilizați o perie moale pentru îndepărtarea reziduurilor de pe șina de ghidare, lanț, roată dințată și capac lateral.

- Scoateți capacul inferior aproximativ la fiecare 8 ore de funcționare, apoi utilizați o perie moale pentru a îndepărta resturile din interiorul mașinii și de pe capac (Fig. W).
- Îndepărtați întotdeauna așchiile, rumegușul și murdăria de pe canelura șinei de ghidare când înlocuiți lanțul ferăstrăului.

ÎNȚREȚINEREA ȘINEI DE GHIDARE

Când șina de ghidare prezintă semne de uzură, dezamblați-o de la capul de forță al ferăstrăului cu lanț și inversați-o pentru reasblare (Fig. X1). În acest fel uzura va fi distribuită pentru a maximiza durata de viață a șinei de ghidare.

Șina de ghidare trebuie curățată în fiecare zi de utilizare și verificată pentru depistarea uzurii.(Fig. X2). Așchiera sau bavurarea șinelor face parte din procesul normal de uzură al șinei. Astfel de defecte pot fi netezite cu o pilă imediat după ce au loc. O șină cu următoarele defecte trebuie înlocuită.

- Uzură în interiorul șinelor ce permite lanțului să stea în lateralul șinei.
- Șină de ghidare îndoită.
- Șine crăpate sau sparte.
- Șine întinse.

Suplimentar, șina de ghidare este echipată în vârf cu o roată dințată (Fig. X3).

Roata dințată trebuie unsă săptămânal cu o seringă cu grăsime pentru a prelungi durata de viață a șinei. Utilizați o seringă pentru a unge zilnic cu ulei de lanț prin orificiul de lubrifiere (Fig. W4). Întoarceți șina de ghidare și asigurați-vă că orificiile de lubrifiere și canelurile lanțului nu sunt acoperite de impurități.

X-1	Șina de ghidare	X-3	Orificiu de lubrifiere
X-2	Roată de lanț în vârful șinei de ghidare		

OBSERVAȚIE: Utilizați lubrifianți autorizați EGO pentru cele mai bune rezultate.

TRANSPORTAREA ȘI DEPOZITAREA

Nu depozitați sau transportați ferăstrăul cu lanț când acesta este în funcțiune. Întotdeauna îndepărtați setul de acumulatori înainte de a depozita sau transporta scula.

Întotdeauna plasați teaca de șină pe șina de ghidare și lanț înainte de a depozita sau transporta ferăstrăul. Fiți precaut pentru a evita dinții ascuțiți ai lanțului.

Curățați bine ferăstrăul înainte de a-l depozita. Depozitați ferăstrăul cu lanț în interior, într-un loc uscat care este închis cu cheia și/sau inaccesibil copiilor.

Țineți-l la distanță de agenți corozivi, precum substanțele chimice de grădină și sărurile de dezghețare.

PROTEJÂND MEDIUL ÎNCONJURĂTOR



Nu eliminați echipamentul electric, acumulatorul epuizat și încărcătorul de acumulator împreună cu deșeurile menajere!

Predați acest produs unui punct de reciclare autorizat sau puneți-l la dispoziția colectării separate. Sculele electrice trebuie returnate unui centru de reciclare ecologic.

RO

DEPANAREA

⚠️ AVERTISMENT: Întotdeauna protejați-vă mâinile purtând mănuși super rezistente când efectuați orice operație de întreținere a ferăstrăului cu lanț. Întotdeauna scoateți setul de acumulatori când efectuați operații de întreținere sau transportați ferăstrăul cu lanț.

PROBLEMĂ	CAUZĂ	SOLUȚIE
Motorul nu pornește.	<ul style="list-style-type: none"> ■ Setul de acumulatori nu este atașat la ferăstrăul cu lanț. ■ Nu există contact electric între ferăstrău și acumulator. ■ Dacă cercul indicatorului de combustibil de pe ecranul LCD clipește, acumulatorul este epuizat. ■ Dacă pe ecranul LCD apare indicatorul de temperatură ridicată, bateria sau ferăstrăul cu lanț sunt prea fierbinți. ■ Dacă pictograma frânei de lanț apare pe ecranul LCD, frâna de lanț este cuplată. ■ Reziduuri în canelura șinei. ■ Reziduuri în capacul lateral. 	<ul style="list-style-type: none"> ■ Atașați setul de acumulatori de ferăstrău. ■ Îndepărtați acumulatorul, verificați contactele și reinstalați acumulatorul. ■ Încărcați setul de acumulatori. ■ Lăsați setul de acumulatori sau ferăstrăul cu lanț să se răcească până când temperatura scade sub 67°C. ■ Trageți paleta frânei pentru reculul lanțului în spate, spre mânerul frontal în poziția de funcționare. ■ Apăsați din nou ferăstrăul pe lemn, deplasați ferăstrăul cu lanț înainte și înapoi pentru îndepărtarea reziduurilor. ■ Îndepărtați setul de acumulatori, după care detașați capacul lateral și curățați reziduurile.
Modul de viteză nu poate fi schimbat.	<ul style="list-style-type: none"> ■ Schimbătorul de viteze al lanțului este blocat de resturi. 	<ul style="list-style-type: none"> ■ Curățați resturile din jurul schimbătorului de viteze al lanțului.
Ferăstrăul cu lanț se oprește în mod neașteptat să funcționeze în timpul funcționării.	<ul style="list-style-type: none"> ■ Ferăstrăul cu lanț este suprasolicitat. ■ Dacă pe ecranul LCD apare indicatorul de temperatură ridicată, bateria sau ferăstrăul cu lanț sunt prea fierbinți. ■ Lanțul este prins în lemn. ■ Dacă pictograma frânei de lanț clipește pe ecranul LCD, ferăstrăul este oprit de sistemul omnidirecțional de frână a lanțului. 	<ul style="list-style-type: none"> ■ Reduceți sarcina. ■ Lăsați setul de acumulatori sau ferăstrăul cu lanț să se răcească până când temperatura scade sub 67°C. ■ Eliberați trăgaciul declanșator; scoateți lanțul și șina de ghidare din lemn, după care reporniți ferăstrăul. ■ Eliberați trăgaciul declanșator; scoateți lanțul și șina de ghidare din lemn, după care reporniți ferăstrăul.
Motorul funcționează, dar lanțul nu se rotește.	<ul style="list-style-type: none"> ■ Lanțul nu anclanșează roata de lanț. 	<ul style="list-style-type: none"> ■ Repuneți lanțul la loc, asigurându-vă că verigile de transmisie de pe lanț sunt așezate complet pe pinion.

RO

PROBLEMĂ	CAUZĂ	SOLUȚIE
Frâna de lanț nu se activează.	<ul style="list-style-type: none"> Resturi împiedică mișcarea completă a paletei frânei pentru reculul lanțului. Este posibil ca frâna de lanț să nu funcționeze corect. 	<ul style="list-style-type: none"> Curățați resturile de pe mecanismul extern al frânei lanțului. Contactați Serviciul clienți EGO pentru reparații.
Ferăstrăul cu lanț nu taie corect.	<ul style="list-style-type: none"> Tensiune lanț insuficientă. Lanț tocit. Lanț instalat pe dos. Lanț uzat. Lanț uscat sau întins excesiv. Lanț neinstalat pe canelurile șinei. 	<ul style="list-style-type: none"> Reglați tensiunea lanțului, urmând instrucțiunile din capitolul: “REGLAREA TENSIUNII LANȚULUI”. Ascuți lanțul. Repuneți la loc lanțul de ferăstrău urmând instrucțiunile din capitolul: “ASAMBLAREA/ ÎNLOCUIREA ȘINEI ȘI A LANȚULUI”. Înlocuiți lanțul de ferăstrău, urmând instrucțiunile din capitolul: “ASAMBLAREA/ ÎNLOCUIREA ȘINEI DE GHIDARE ȘI A LANȚULUI”. Verificați nivelul de ulei. Umpleți din nou rezervorul de ulei și alegeți un volum mai mare de alimentare cu ulei, dacă este necesar. Repuneți la loc lanțul de ferăstrău urmând instrucțiunile din capitolul: “ASAMBLAREA/ ÎNLOCUIREA ȘINEI DE GHIDARE ȘI A LANȚULUI”.
Lanțul se desprinde sau cade de pe șina de ghidare în timpul utilizării normale.	<ul style="list-style-type: none"> Lanțul se va slăbi pe măsură ce temperatura lanțului crește în timpul funcționării normale a ferăstrăului. Lanțul nu anclanșează roata de lanț. 	<ul style="list-style-type: none"> Tensionați lanțul, urmând secțiunea “REGLAREA TENSIUNII LANȚULUI”. Repuneți la loc lanțul de ferăstrău urmând instrucțiunile din capitolul: “ASAMBLAREA/ ÎNLOCUIREA ȘINEI DE GHIDARE ȘI A LANȚULUI”.
Șina și lanțul se încălzesc și emană fum.	<ul style="list-style-type: none"> Dacă pe ecranul LCD apare indicatorul de ulei scăzut, rezervorul de ulei pentru lanț este gol. Reziduuri în canelura șinei de ghidare. 	<ul style="list-style-type: none"> Verificați nivelul de ulei. Umpleți rezervorul de ulei dacă este nevoie. Curățați reziduurile din canelură.
Indicatorul de ulei scăzut apare pe ecranul LCD, chiar dacă în rezervorul de ulei există suficient ulei. Sau chiar dacă în rezervorul de ulei este insuficient ulei, pe ecranul LCD nu apare indicatorul de nivel scăzut de ulei.	<ul style="list-style-type: none"> Componenta de detectare a nivelului de ulei nu a detectat încă nivelul real al uleiului din cauza uleiului rezidual sau a aerului din tubul de ulei. Defecțiunea componentei de detectare a nivelului de ulei. 	<ul style="list-style-type: none"> Așteptați câteva minute pentru ca orice ulei rezidual sau aer să se scurgă din tubul de ulei.



GARANȚIE

POLITICA PRIVIND GARAȚIA EGO

Vă rugăm să consultați site-ul egopowerplus.eu pentru termenii și condițiile complete ale politicii privind garanția EGO.

RO

192

FERĂSTRĂU FĂRĂ FIR CU LANȚ ȘI CU ACUMULATOR LITIU ION 56V — CSX5000

PREBERITE VSA NAVODILA!



PREBERITE UPORABNIŠKI PRIROČNIK.

⚠ OPOZORILO: Za zagotovitev varnosti in zanesljivosti mora vsa popravila izvesti usposobljen servisni tehnik.

⚠ OPOZORILO: Pred uporabo tega orodja preberite in razumite vsa varnostna navodila v tem priročniku, vključno z vsemi varnostnimi opozorilnimi simboli, kot so »NEVARNOST«, »OPOZORILO« in »POZOR«. Zaradi neupoštevanja spodaj navedenih navodil lahko pride do električnega udara, požara in/ali resnih telesnih poškodb.



Varnostno opozorilo



Nosite zaščito za oči.



Nosite zaščito za glavo.



Pazite na povratni udarec verižne žage in se izogibajte stiku s konico žage



Informacije o vodilni palici.



Zagotovljena raven zvočne moči Emisije hrupa v okolico so v skladu z direktivo Evropske skupnosti.



Ta izdelek je skladen z veljavnimi direktivami ES.



Bluetooth®

mm Milimeter

V Napetost

IPX5 Zaščita pred vodnimi curki

VSA OPOZORILO IN NAVODILA SHRANITE ZA KASNEJŠO UPORABO.

VARNOSTNI SIMBOLI

⚠ OPOZORILO: Delovanje katerega koli električnega orodja lahko povzroči metanje tujkov v vaše oči, kar lahko povzroči resne poškodbe očesa. Pred začetkom dela z električnim orodjem vedno nosite zaščitna očala ali varnostna očala s stranskimi zaščitami in po potrebi tudi ščit za celoten obraz. Priporočamo vam uporabo varnostne maske Wide Vision Safety Mask za uporabo preko očal ali standardnih varnostnih očal s stransko zaščito.



Za zmanjšanje nevarnosti telesnih poškodb je pomembno, da uporabnik pred uporabo tega izdelka prebere priročnik za uporabo in se z njim seznaní.



Nosite zaščito za ušesa



Nosite zaščitne rokavice



Povratni udarec konice meča



Verižno žago vedno uporabljajte z obema rokama



Odpadnih električnih izdelkov ne odlagajte med gospodinjne odpadke. Odnosite jih v pooblaščen obrat za recikliranje.



Ta izdelek je skladen z veljavno zakonodajo VB.



Enosmerni tok

n_0 Hitrost brez obremenitve

./min Na minuto

SL

OPOMBA: Besedna znamka in logotipi Bluetooth® so registrirane blagovne znamke v lasti družbe Bluetooth SIG, inc. in vsaka uporaba teh znamk s strani družbe EGO je pod licenco.

TEHNIČNI PODATKI

Nazivna napetost	56V	
Najv. Hitrost verige	30 m/s	
Delitev verige	8,255 mm/0,325 palca	
Širina utora	1,3 mm	
Dolžina meča	50 cm	
Model verige žage	AC2035 (priporočeno)	
	AC1635, AC1835 (Združljivo)	
Model rezalne verige in vodila meča	AK2035 (priporočeno)	
	AK1635, AK1835 (Združljivo)	
Volumen rezervoarja za olje verige	250 ml	
Teža (brez baterijskega sklopa, žagine verige, vodilne palice, stranskega pokrova, olja in plašča verige)	4,3 kg	
Priporočena obratovalna temperatura	Od -15°C do 40°C	
Priporočena temperatura za shranjevanje	Od -20°C do 70°C	
Priporočena temperatura polnjenja	Od 5°C do 40°C	
Izmerjena raven zvočne moči L_{WA}	102 dB(A) K=2,3 dB(A)	
Raven zvočnega tlaka v delovnem položaju L_{PA}	92 dB(A) K=3 dB(A)	
Zajamčena raven zvočnega tlaka L_{WA} (v skladu z 2000/14/ES)	104 dB(A)	
Vibration a_h	Sprednji ročaj	3,3 m/s ² K=1,5 m/s ²
	Zadnji ročaj	1,74 m/s ² K=1,5 m/s ²

- Nazivna skupna vrednost tresljajev je bila izmerjena v skladu s standardno preskusno metodo in jo je mogoče uporabiti za primerjavo enega orodja z drugim.
- Nazivno skupno vrednost tresljajev je mogoče uporabiti tudi za predhodno oceno izpostavljenosti.

OPOMBA: Oddajanje tresljajev med dejansko uporabo

električnega orodja se lahko razlikuje od nazivne vrednosti, v kateri se uporablja orodje. Upravljavce se lahko zaščiti tako, da uporablja rokavice in naušnike, primerne dejanskim pogojem uporabe.

VSEBINA PAKETA (SL. A1)

OPIS

SPOZNAJTE SVOJO VERIŽNO ŽAGO (sl. A1)

1. Rezalna veriga
2. Ročaj zavore verige ob povratnem udarcu
3. Sprednji ročaj
4. Zaslon LCD
5. Stopnja hitrosti
6. Ikona Bluetooth
7. Ikona žarometa
8. Ikona zavore
9. Indikator visoke temperature
10. Krog merilnika goriva
11. Raven električne obremenitve
12. Indikator nizke ravni olja
13. Gumb za žaromet/Bluetooth
14. Gumb za dovajanje olja
15. Količina dovedenega olja
16. Gumb za odklepanje
17. Sprožilec stikala
18. Zadnji ročaj
19. Prestavna ročica za hitrosti verige
20. Gumb za sprostitvev akumulatorja
21. Okence preverjanje ravni olja
22. Pokrov rezervoarja za olje
23. Vodilo meča
24. Luknja za mazanje
25. Somik za napenjanje verige
26. Stranski pokrov
27. Zaklepna matica
28. Zobniki za krojenje
29. Žaromet LED
30. Pokrov verige
31. Večnamenski ključ

SL

SESTAVLJANJE

NAMEŠČANJE/ZAMENJAVA MEČA IN VERIGE

⚠ OPOZORILO: Pred sestavljanjem nastavite ročico zavore verige v zavorni položaj.

1. Pogonsko enoto verižne žage namestite na stran tako, da bo stranski pokrov obrnjen navzgor (sl. B).
2. Odstranite stranski pokrov, tako da zavrtite dve zaporni matici v nasprotni smeri urinega kazalca.
3. Vijak za napenjanje verige obrnite v nasprotni smeri urinega kazalca, da sprostite napetost verige.
4. Rezalno verigo v obliki zanke položite na ravno površino in okrepite vse vozle (sl. C).
5. Povezave pogona verige namestite v utor vodilne palice in na zadnji strani vodilne palice verigo oblikujte v zanko (sl. D).
6. Verigo držite v položaju na vodilu meča in zanko namestite okoli zobnika žage (sl. E1).

B-1	Zaklepna matica	D-2	Utor vodila meča
B-2	Somik za napenjanje verige	E-1	Pogonski verižnik
D-1	Členi gonila		

OPOMBA: Ko rezalno verigo napenjate na vodilo meča, preverite, ali se po namestitvi vodila meča na žago usmeritev rezila ujema z ikono rezila in puščico za smer vrtenja na ohišju. Če sta obrnjena v nasprotno smer, ponovno namestite verigo žage na vodilo meča tako, da so rezalniki obrnjeni v isto smer (sl. E2).

7. Stranski pokrov ponovno namestite na ohišje verižne žage in popolnoma privijte obe zaporni matici.
8. Z roko zavrtite verigo, da preverite, ali je veriga pravilno sestavljena in se ne zaustavlja. V nasprotnem primeru znova sestavite verigo in meč.

OPOMBA: za podaljšanje življenjske dobe meča, meč občasno zasučite.

PRILAGAJANJE NAPETOSTI VERIGE

- Ustavite motor in odstranite baterijski sklop preden prilagodite napetost verige. Vijak za napenjanje verige obrnite v smeri urinega kazalca ali v nasprotni smeri urinega kazalca, da prilagodite napetost verige (sl. F) dokler se veriga ne nasloni na vodilo meča s pogonskimi povezavami v utoru vodila meča.

- Hladna veriga je pravilno napeta, ko na spodnji strani meča ni ohlapna in se prilega, vendar jo je mogoče obrniti z roko brez zatikanja. Verigo je treba ponovno napeti, kadar ploskve na povezavah pogona niso v utoru vodilne palice.
- Med normalnim delovanjem žage bo temperatura žage narasla. Povezave pogona pravilno napete tople verige bodo iz utora vodilne palice gledale ven približno 1,3 mm (sl. G).

OPOMBA: Nove verige se rade raztegnejo, zato napetost verige redno preverjajte in jo po potrebi prilagodite.

OPOMBA: Če verigo napnete ko je topla, bo morda prekratka ko se ohladi. Pred naslednjo uporabo preverite hladno napetost.

UPRAVLJANJE

⚠ OPOZORILO: Tudi če se dobora seznanite s tem izdelkom, bodite pri ravnanju z njim pazljivi. Upoštevajte, da je samo delček sekunde nepazljivosti dovolj, da pride do hude telesne poškodbe.

⚠ OPOZORILO: Ne uporabljate priključkov ali dodatkov, ki jih proizvajalec tega izdelka ne priporoča. Uporaba priključkov ali dodatkov, ki niso priporočeni, lahko povzroči hude telesne poškodbe.

⚠ OPOZORILO: Za preprečitev nenamernega zagona, ki bi lahko povzročil hudo telesno poškodbo, pri sestavljanju delov, prilagajanju, čiščenju in kadar orodje ni v uporabi, vedno odstranite baterijski sklop.

SL

Pred vsako uporabo celoten izdelek pregledajte za poškodovane, manjkajoče ali zrahljanje dele, kot so vijaki, matice, pokrovi itd. Vsa zapirala in pokrove trdno privijte in izdelka ne uporabljajte dokler ne zamenjate manjkajočih ali poškodovanih delov.

NAMENI UPORABE

Ta izdelek lahko uporabljate za osnovno podiranje dreves, kleščenje, obrezovanje in sečnjo lesa ter dreves.

OPOMBA: Stroj lahko uporabljate samo za predvideni namen. Kakršna koli druga uporaba se smatra za nepravilno uporabo.

POLNJENJE MAZIVA ZA VODILNO PALICO IN VERIGO

⚠ OPOZORILO: Ne kadite in ne uporabljajte ognja ali plamenov v bližini olja ali verižne žage. Olje se lahko razlije in povzroči požar.

OPOMBA: Ob nakupu v verižni žagi ni olja. Izjemno pomembno je, da pred uporabo rezervoar napolnite z oljem. Med delovanjem je veriga samodejno namazana z oljem za verigo.

1. Verižno žago namestite na stran tako, da je pokrov rezervoarja obrnjen navzgor.
2. Očistite pokrov rezervoarja za olje in območje okoli njega, da preprečite vstop umazanije v rezervoar.
3. Priključek za višinski obrezovalnik položite v navpični položaj in obračajte pokrov rezervoarja za olje v obratni smeri urinega kazalca, da ga odstranite (sl. H).
4. Previdno vlijte olje za vodila in verigo v rezervoar. Napolnite do dna polnilne odprtine rezervoarja.
5. Obrišite odvečno olje in zaprite pokrovček.

OPOMBA: Pogosto preverjajte nivo olja in ga napolnite, ko pade pod spodnjo črto. Verižne žage nikoli ne uporabljajte, če olje ni vidno.

PRIKLJUČITEV/ODKLOP BATERIJSKEGA SKLOPA

OPOMBA: Krog merilnika goriva na zaslonu LCD prikazuje raven napoljenosti baterije (slika A1). Ko bo baterijski sklop skoraj prazen, bo krog utripal. Pred prvo uporabo popolnoma napolnite baterijski sklop.

Uporabljajte samo z baterijskimi sklopi in polnilniki podjetja EGO, navedenimi na sliki A2.

Pred prvo uporabo baterijo popolnoma napolnite.

SL

Napotki za priključitev

Rebra baterije poravnajte z režami za namestitev in baterijski sklop potisnite navzdol, da zaslišite »klik« (sl. I).

Napotki za odklop

Pritisnite gumb za sprostitev baterije in izvlecite baterijski sklop (sl. J).

ZAGON/ZAUSTAVITEV VERIŽNE ŽAGE

OPOMBA: Pred zagonom verižne žage preverite nivo olja, ostrost zob verige in pravilno delovanje ročaja zavore verige ob povratnem udarcu. Poleg tega sta potrebni uravnotežena opora in primerna razdalja od tal.

Zagon (sl. K)

1. Ročaj zavore verige ob povratnem udarcu potegnite proti srednjemu ročaju v položaj za delovanje (sl. K).
2. Sprednji ročaj vedno čvrsto z levo roko, zadnjega pa z desno roko.

⚠ OPOZORILO: Da bi se izognili telesnim poškodbam, vedno uporabljajte verižno žago, tako da z desno roko primete območje prijema zadnjega ročaja (sl. L).

3. S palcem desne roke pritisnite in pridržite gumb za odklepanje, nato s prsti desne roke stisnite sprožilec stikala za zagon žage. (Sl. L).

L-1	Oprjemalno območje
-----	--------------------

4. Sprostite gumb za odklepanje in še naprej stiskajte sprožilec stikala za nadaljevanje delovanja.
5. Bolj ko je sprožilec stikala pritisnjen, večja je hitrost verige. Prilagodite hitrost trenutnemu opravilu.

⚠ OPOZORILO: Žage ne poskušajte zagnati, kadar je veriga v rezu.

Zaustavitev

1. Verižno žago premaknite stran od območja rezanja in nato spustite sprožilec stikala, da zaustavite višinski verižno žago.
2. Ročaj zavore verige ob povratnem udarcu potisnite naprej v zavorni položaj da aktivirate zavoro verige (sl. K).

⚠ OPOZORILO: Med delovnimi odmori in po končanem delu s stroja vedno odstranite baterijski sklop.

SPREMINJANJE NAČINA HITROSTI (SLIKA M)

Naprava ima tri načine hitrosti. Vsak način hitrosti omejuje največjo hitrost verižne žage. Način hitrosti se spremeni z vsakim pritiskom prestavne ročice za hitrost verige.

Raven hitrosti na LCD-zaslonu bodo prikazale način aktivne hitrosti: ena vrstica za nizko hitrost, dve palici za srednjo hitrost in tri palice za visoko hitrost. Način nizke hitrosti (ECO) omogoča boljši nadzor nad strojem in daljši čas delovanja na polnjenje.

M-1	Stopnja hitrosti	M-7	Raven električne obremenitve
M-2	Ikona Bluetooth	M-8	Gumb za žaromet/Bluetooth
M-3	Ikona žaromet	M-9	Gumb za dovajanje olja
M-4	Ikona zavore	M-10	Prestavna ročica za hitrosti verige
M-5	Indikator visoke temperature	M-11	Količina dovedenega olja
M-6	Krog merilnika goriva	M-12	Indikator nizke ravni olja

OPOMBA: Pri uporabi baterijskega sklopa EGO z nazivno vrednostjo 4,0 Ah ali manj, je na voljo samo način EKO. Uporaba baterijskega sklopa EGO z nazivno vrednostjo manj kot 6,0 Ah vam ne bo omogočila doseganja visoke hitrosti. Za najboljšo zmogljivost priporočamo uporabo baterijskih sklopov EGO z vrednostjo 6,0 Ah (npr. BA3360T) ali več.

OPOMBA: Verižna žaga ima funkcijo pomnilnika hitrosti verige. Ko bo verižna žaga naslednjič vklopljena, se bo aktiviral prej uporabljeni način hitrosti.

OPOMBA: LCD-zaslon zasveti, ko potegnete sprožilno stikalo ali ko pritisnete gumb za dovajanje olja ali gumb žaromet/Bluetooth. LCD-zaslon se privzeto samodejno izklopi po približno 1 sekundi nedejavnosti.

OPOMBA: Če pritisnete Prestavna ročica za hitrosti verige, se LCD-zaslon ne vklopi.

STOPNJA OBREMENITVE (sl. M)

Stopnja obremenitve na desni strani LCD-zaslona prikazuje trenutno obremenitev naprave. Večje število črtic označuje večjo obremenitev, manjše število črtic pa pomeni manjšo obremenitev.

Ta funkcija je namenjena predvsem izkušenim uporabnikom verižnih žag na plin, ki morda nimajo »občutka«, kako akumulatorska žaga deluje pri različnih obremenitvah. Uporabnikom pomaga spremljati delovno obremenitev, da se izognejo dolgotrajnemu delovanju pri veliki obremenitvi, zaradi česar se lahko verižna žaga med delovanjem ustavi, ker se preveč segreje.

INDIKATOR VISOKE TEMPERATURE (sl. M)

Indikator visoke temperature zasveti, ko temperatura naprave preseže 90 °C (194 °F) ali temperatura akumulatorja med delovanjem preseže 70 °C (158 °F). Tokokrog za zaščito pred visoko temperaturo takoj izklopi napravo, da prepreči poškodbe zaradi pregrevanja. Spustite sprožilec in počakajte, da se pregreta naprava ali akumulator ohladi in se indikator visoke temperature izklopi, nato znova zaženite napravo.

IKONA ZAVORE (sl. M)

Ikona zavore se prikaže na zaslonu LCD, ko je ročaj zavore v položaju zaviranja.

Ikona zavore bo utripala, ko bo vsesmerni zavorni sistem verige ustavljen žago. Za podrobnejše informacije glej naslednje poglavje.

VSESMERNI ZAVORNI SISTEM VERIGE (sl. N1 in sl. N2)

Vsesmerni zavorni sistem verige ni namenjen, da nadomesti standardno/tradicionalno zavoro verige. Med delovanjem verižne žage se uporabnik ne sme nikoli zanašati na to funkcijo, da se zaščiti pred povratnim udarom. Vedno upoštevajte varnostna navodila, povezana z zmanjševanjem tveganja za povratni udar, ki so na voljo v razdelku z opozorili v tem priročniku.

Ko se vsesmerni zavorni sistem verige aktivira in zaustavi žago, na LCD-zaslonu utripa ikona za zavoro (sl. M). Sprostite sprožilec stikala, odstranite verigo in vodilo meča iz lesa, nato verižno žago ponovno vključite.

OPOMBA: Senzorji bodo zaznali nenadno premikanje žage v ravnini vodila meča (sl. N1). Senzorji ne bodo zaznali nenadnega premika žage na stran (sl. N2) (tj. pravokotno na ravnino vodila meča).

RAVEN DOVAJANJA OLJA IN INDIKATOR NIZKE RAVNI OLJA (sl. M)

Naprava samodejno podmaže verigo. Pri tej verižni žagi lahko z vsakim pritiskom gumba za dovajanje olja spremenite količino dovedenega olja.

OPOMBA: Hitrost dovajanja olja se lahko spremeni le takrat, ko verižna žaga ne deluje.

Raven dovajanja olja na LCD-zaslonu bo prikazala hitrost dovajanja olja. Ena črtica za nizko hitrost dovajanja, dve črtici za srednjo hitrost dovajanja in tri črtice za visoko hitrost dovajanja.

Izberite višjo hitrost dovajanja za višjo hitrost verige. Če se veriga žage med delom posuši, ustavite motor in izberite

SL

višjo hitrost dovajanja olja.

Ko je raven olja nizka, se na zaslonu LCD nad črticami za raven dovajanja olja prikaže indikator nizke napolnjenosti olja in na voljo bo le nizka hitrost dovajanja. Ustavite verižno žago in znova napolnite rezervoar za olje v skladu z navodili v poglavju **POLNJENJE REZERVOARJA ZA OLJE Z MAZIVOM ZA MEČ IN VERIGO**.

Po polnjenju rezervoarja za olje zaženite verižno žago približno 10 sekund, da omogočite samodejnemu mazalnemu sistemu, da začne delovati in indikator izgine z LCD-zaslona.

OPOMBA: Če tudi po izvedbi zgornjih korakov indikator še vedno sveti na zaslonu LCD, se lahko sistem poškoduje. Prenehajte uporabljati verižno žago in se za popravilo obrnite na pooblaščen servisni center EGO.

ŽAROMET LED (sl. O)

LED-žaromet je nameščen na sprednji strani ohišja verižne žage. Žaromet zagotavlja osvetlitev za večjo vidljivost in ima 2 ravni svetlosti.

Če želite vklopiti žaromet, enkrat pritisnite gumb žaromet/Bluetooth (sl. M). Žaromet se bo vklopil pri nizki svetlosti, ikona žarometa z nizko svetlost pa se bo prikazala na LCD-zaslonu. Ponovno pritisnite gumb žaromet/Bluetooth, da preklopite na visoko stopnjo svetlosti, na LCD-zaslonu pa se prikaže ikona žaromet visoke svetlosti.

Če želite izklopiti žaromet, tretjič pritisnite gumb žaromet/Bluetooth in ikona žarometa bo izginila z LCD-zaslona.

SL

0-1	Ikona žarometov z nizko svetlostjo	0-3	Žaromet LED
0-2	Ikona žarometov z visoko svetlostjo		

KOMUNIKACIJSKA TEHNOLOGIJA

Za informacije ali našo celotno ponudbo povezanih izdelkov in storitev, vključno z navodili za povezavo, skenirajte kodo QR spodaj ali obiščite spletno mesto www.egopowerplus.eu/connect.



PRIMEREN OPRIJEM NA ROČAJIH (SL. P1)

- Nosite nederseče rokavice za najboljši prijem in zaščito.
- Z žago na trdni in ravni površini jo trdno držite z obema rokama.
- Sprednji ročaj vedno primate z levo roko, zadnjega pa z desno roko.
- Prsti morajo obkrožiti ročaj, palec pa mora biti ovit pod sprednjim ročajem.

⚠ OPOZORILO: nikoli ne uporabljajte levoročnega prijema (prekrižanih rok) ali položaja, ob katerem bi bila vaše telo ali roka preko linije verige.

⚠ OPOZORILO: sprožilca stikala ne upravljajte z levo roko in ne držite sprednjega ročaja z desno roko. Med upravljanjem verižne žage nikoli ne dovolite, da bi bil kateri koli del vašega telesa v liniji verige (sl. P2).

PRAVILEN POLOŽAJ ŽAGANJA (SL. Q)

- Obe stopali morata biti na trdni površini, teža pa mora biti enakomerno razporejena.
- Leva roka mora biti iztegnjena, komolec pa nepremičen. To pomaga pri zoperstavljanju sil, ki jih ustvari povratni udarec.
- Vaše telo mora biti vedno levo od verižne žage.

NAVODILA GLEDE PRIMERNIH TEHNIK OSNOVNEGA PODIRANJA, KLEŠČENJA IN IZDELAVE PRESEKA

⚠ OPOZORILO: Vedno poskrbite, da dobro stojite in da žago trdno držite v rokah, ko motor teče.

⚠ OPOZORILO: Ko se je veriga ustavila zaradi stiskanja med žaganjem, sprostite sprožilec stikala, odstranite verigo in vodilo meča iz lesa, nato verižno žago ponovno vključite.

⚠ OPOZORILO: Verige ne vlecite z roko, ko je omejena z žagovino. Če se verižna žaga naključno vključi, lahko pride do resnih poškodb. Verigo pritisnite ob les ter verižno žago premaknite naprej in nazaj, da izpraznite delce. Pred čiščenjem baterijski sklop vedno odstranite. Pri rokovanju z verigo nosite robustne zaščitne rokavice.

⚠ OPOZORILO: Če je verižna žaga v stiku z lesom, je nikoli ne vključite. Pred začetkom žaganja vedno dovolite da verižna žaga doseže polno hitrost.

PODIRANJE DREVES

- Če sta pri krojenju in podiranju dreves udeleženi dve osebi ali več hkrati, je treba podiranje dreves ločiti od krojenja vsaj v dvakratni razdalji višine drevesa, ki se ga podira. Dreves se ne sme podirati na kakršen koli način ki bi ogrožal katero koli osebo, ali tako da bi morda udarila oz. poškodovala daljnovode ali druge lastnine. Če drevo pride v stik z daljnovodom, je treba nemudoma obvestiti podjetje za oskrbo z energijo, ki ima ta daljnovod v lasti.
- Upravitelj mora stati v zgornjem delu terena, saj se bo drevo zvalilo ali zdrsnilo po hribu navzdol potem, ko ga boste podri.
- Preden začnete z žaganjem, je treba načrtovati in izprazniti pot umika. Pot za pobeg mora biti na voljo v smeri nazaj in diagonalno stran od pričakovane linije padca drevesa, kot je prikazano na sliki R.

R-1	Smer sečnje
R-2	Varnostna pot za umik

- Preden začnete s podiranjem, preučite naraven nagib drevesa, položaj večjih vej in smer vetra ter tako ocenite, v katero smer naj bi drevo padlo.
- Iz drevesa odstranite umazanijo, kamne, ohlapno lubje, žeblje, sponke in žico.

Izdelava zaseka

Zarezo naredite do 1/3 premera drevesa, pravokotno na smer padca, kot prikazuje slika S. Najprej ustvarite spodnjo vodoravno zarezo. Tako se boste izognili ukleščanju verige ali meča žage pri ustvarjanju druge zareze.

S-1	Smer padca	S-3	Rez za podiranje
S-2	Zareza	S-4	Zgib

Rez za podiranje

- Zadnjo zarezo za podiranje naredite vsaj 50 mm višje od vodoravnega zaseka, kot je prikazano na sliki S. Zadnja zareza naj bo vzporedna spodnji. Zadnjo zarezo naredite tako, da ostane dovolj lesa, ki deluje kot sklep. Sklepni les omogoča, da se drevo ne zasuče in pade v napačno smer. Sklepa na prežagajte.

- Ko se zadnja zareza približuje sklepu, bi drevo moralo začeti padati. Če obstaja možnost, da drevo ne bo padlo v zeleno smer ali se lahko nagne nazaj in uklešči verigo, prenehajte z žaganjem preden je zadnja zareza za podiranje končana in uporabite lesene, plastične ali aluminijaste zagozde, da odprete zarezo in da drevo pade v zeleno smer.
- Ko drevo začne padati, iz zareze odstranite verižno žago, ustavite motor, žago odložite in uporabite načrtovano pot za umik. Pazite na padajoče veje nad vami ter na to, kod stopate.

Kleščanje drevesa

Kleščanje pomeni odstranjevanje vej s padlega drevesa. Pri kleščanju pustite daljše spodnje veje za podporo debla stran od tal. Manjše veje odstranite z enim rezom, kot je prikazano na sliki T. Veje pod pritiskom morate odžagati od spodnjega dela navzgor, da se izognete upogibanju verižne žage.

Žaganje debela na hlode

Krojenje pomeni žaganje debela na krajše kose. Pomembno je, da trdno stojite in da je vaša teža enakomerno razporejena na obe nogi. Če je mogoče, deblo dvignite in ga podprite z vejami, drugimi debli ali zagozdami. Sledite preprostim navodilom za enostavno žaganje.

Ko je deblo podprto po celotni dolžini, kot prikazuje slika U1, ga odžagajte z zgornje strani.

Ko je deblo podprto na eni strani, kot prikazuje slika U2, 1/3 premera odžagajte s spodnje strani. Nato rez dokončajte od zgoraj, tako da se reza srečata.

Ko je deblo podprto na obeh straneh, kot prikazuje slika U3, 1/3 premera odžagajte z zgornje strani. Nato od spodaj zarežite še 2/3, tako da se reza srečata.

Pri žaganju na pobočju vedno stojite na zgornji strani debela, kot je prikazano na sliki V.

Pri žaganju »skozi« za ohranitev popolnega nadzora sprostite pritisk žaganja ob koncu reza, vendar ne sprostite prijema na ročajih verižne žage. Pazite, da veriga ne pride v stik s tlemi. Po končanem žaganju počakajte, da se veriga ustavi, šele nato jo premaknite. Ko se pomikate od drevesa do drevesa, vedno ugasnite motor.

VZDRŽEVANJE

⚠ OPOZORILO: Za popravila uporabljajte samo identične nadomestne dele. Uporaba drugih delov je tvegana in lahko poškoduje izdelek. Za zagotovitev varnosti in zanesljivosti mora vsa popravila izvesti usposobljen servisni tehnik.

SL

⚠ OPOZORILO: Da bi se izognili hudim telesnim poškodbam pred pregledom, čiščenjem ali vzdrževanjem iz izdelka vedno odstranite baterijski sklop. Baterijsko orodje, ki ima nameščen baterijski sklop, je vedno vključeno in se lahko samodejno vključi.

⚠ OPOZORILO: Pri čiščenju, verižne žage NE potopite v vodo ali druge tekočine.

⚠ OPOZORILO: Zavorna tekočina, gorivo, izdelki na bazi nafte, prodirajoče olje ipd. naj nikoli ne pridejo v stik s plastičnimi deli. Kemikalije lahko plastiko poškodujejo, oslabijo ali uničijo, kar lahko privede do hudih poškodb.

ČIŠČENJE

- Po vsaki uporabi, z mehko krtačo, z žage in vodilna meča odstranite delce. Površino verižne žage obrišite s čisto in vlažno krpo ter nekaj blage čistilne raztopine.
- Odstranite stranski pokrov, nato z mehko krtačo odstranite delce z vodila meča, verige, zobnika in stranskega pokrova.
- Spodnji pokrov odstranite približno vsakih 8 ur delovanja, nato pa z mehko krtačo odstranite ostanke znotraj naprave in na pokrovu (sl. W).
- Pri čiščenju verige vedno očistite delce lesa, žagovino in umazanijo iz utora vodila meča.

VZDRŽEVANJE VODILA MEČA

Če je vodilo meča obrabljeno, ga razstavite s pogonske enote verižne žage in ga obrnite ter ponovno sestavite (sl. X1). Na ta način se obraba porazdeli tako, da je življenjska doba vodilne palice čim daljša.

Vodilno palico je treba očistiti vsak dan uporabe in preveriti če ima kakršnekoli znake obrabe in poškodb (sl. X2). Na tirnicah meča se lahko pojavijo nitke oziroma igle, kar je normalen proces obrabe. Takšne napake je treba zgladiti s pilo takoj ko se pojavijo. Vodilo meča s katero izmed naslednjih napak je treba zamenjati.

- Obraba znotraj tirnic vodilna meča, ki dovoljuje verigi da je nameščena preko stranic.
- Zvito vodilo meča.
- Počene tirnice.
- Razširjene tirnice.

Poleg tega ima vodilna palica zobnik na konici (sl. X3).

Zobnik je treba tedensko mazati z mastjo iz brizgalke da bi podaljšali življenjsko dobo vodila meča Za tedensko mazanje z oljem uporabite brizgalko, da namažete luknjo za mazanje (sl. W4). Vodilo meča obrnite in preverite, da v luknjah za mazanje in utoru verige ni nečistoč.

X-1	Tirnice meča	X-3	Luknja za mazanje
X-2	Zobnik v konici vodilne palice		

OPOMBA: Za najboljše rezultate uporabite maziva, odobrena EGO.

PREVOZ IN SHRANJEVANJE

Verižne žage ne prenašajte ali shranjujte kadar je v teku. Pred skladiščenjem ali prevozom vedno odstranite baterijski sklop.

Na vodilo vodilne palice in verigo pred skladiščenjem ali transportom verižne žage vedno namestite pokrov. Bodite previdni, da se izognete ostrim zobem verige.

Pred skladiščenjem verižno žago temeljito očistite. Verižno žago skladiščite v notranjem prostoru, ki je zaklenjen in/ali nedostopen otrokom.

Orodja ne shranjujte v bližini korozivnih sredstev, kot so vrtno kemikalije in soli za topljenje ledu.

VAROVANJE OKOLJA



Električne opreme, rabljene baterije in polnilnika ne odvrzite med gospodinjske odpadke.

Izdelek odnesite na pooblaščen obrat za recikliranje in ga zavrzite ločeno.

Električna orodja je treba odnesti na obrat za recikliranje in ga reciklirati na okolju prijazen način.

ODPRAVLJANJE TEŽAV

⚠ OPOZORILO: Pri vzdrževanju verige dlani vedno zaščitite tako, da nosite robustne rokavice. Pri servisiranju ali transportu verižne žage vedno odstranite baterijski sklop.

TEŽAVA	VZROK	REŠITEV
Motorja ni mogoče zagnati.	<ul style="list-style-type: none"> ■ Baterijski sklop ni pritrjen na verižno žago. ■ Med žago in baterijskim sklopom ni električnega stika. ■ Če krog merilnika goriva na zaslonu LCD utripa, je akumulatorski sklop izpraznjen. ■ Če se na zaslonu LCD prikaže indikator visoke temperature, je akumulatorski sklop ali verižna žaga prevroča. ■ Če se na zaslonu LCD prikaže ikona zavore verige, se vklopi zavora verige. ■ Delci v meču. ■ Delci v stranskem pokrovu. 	<ul style="list-style-type: none"> ■ Baterijski sklop pritrdite na verižno žago. ■ Odstranite baterijski sklop, preverite kontakte in znova namestite baterijski sklop. ■ Napolnite baterijski sklop. ■ Baterijski sklop ali verižno žago ohladite do temperature, ki je nižja od 67°C. ■ Zadnji ročaj zavore verige ob povratnem udarcu potegnite proti sprednjemu ročaju v položaj za delovanje. ■ Verigo pritisnite ob les ter verižno žago premaknite naprej in nazaj, da izpraznite delce. ■ Odstranite baterijski sklop, nato odstranite stranski pokrov in očistite delce.
Načina hitrosti ni mogoče spremeniti.	<ul style="list-style-type: none"> ■ Okoli prestavne ročice za hitrosti verige so se zatakneli delci. 	<ul style="list-style-type: none"> ■ Počistite ostanke okoli prestavne ročice za hitrosti verige.
Verižna žaga nepričakovano preneha delovati med delovanjem.	<ul style="list-style-type: none"> ■ Verižna žaga je preobremenjena. ■ Če se na zaslonu LCD prikaže indikator visoke temperature, je akumulatorski sklop ali verižna žaga prevroča. ■ Veriga je zataknela v lesu. ■ Če na LCD-zaslonu utripa ikona zavore verige, je žaga zaustavljena z vsesmernim zavornim sistemom verige. 	<ul style="list-style-type: none"> ■ Zmanjšajte obremenitev. ■ Baterijski sklop ali verižno žago ohladite do temperature, ki je nižja od 67°C. ■ Sprostite sprožilec stikala, odstranite verigo in meč iz lesa, nato verižno žago ponovno vključite. ■ Sprostite sprožilec stikala, odstranite verigo in meč iz lesa, nato verižno žago ponovno vključite.
Motor teče, vendar se veriga ne vrti.	<ul style="list-style-type: none"> ■ Veriga ne aktivira pogonskega zobnika. 	<ul style="list-style-type: none"> ■ Ponovno namestite verigo in zagotovite, da so pogonske povezave na verigi popolnoma nameščene na zobniku.

SL

TEŽAVA	VZROK	REŠITEV
Zavora verige se ne aktivira.	<ul style="list-style-type: none"> ■ Delci preprečujejo popolno premikanje ročaja zavore verige ob povratnem udarcu. ■ Možna je okvara zavore verige. 	<ul style="list-style-type: none"> ■ Odstranite delce iz zunanjega mehanizma zavore verige. ■ Za popravilo se obrnite na podporo za kupce izdelkov EGO.
Verižna žaga ne žaga pravilno.	<ul style="list-style-type: none"> ■ Nezadostna napetost verige. ■ Topa veriga. ■ Veriga je nameščena v nasprotni smeri. ■ Obrabljena veriga. ■ Suha ali preveč raztegnjena veriga. ■ Veriga ni v utoru vodilne palice. 	<ul style="list-style-type: none"> ■ Ponastavite napetost verige. Sledite navodilom v razdelku: PRILAGAJANJE NAPETOSTI VERIGE ■ Nabrusite verigo. ■ Znova namestite verižno žago v skladu z razdelkom „SESTAVLJANJE/ZAMENJAVA MEČA IN VERIGE“. ■ Zamenjajte verigo. Sledite navodilom v razdelku: NAMEŠČANJE/ZAMENJAVA MEČA IN VERIGE ■ Preverite nivo olja. Napolnite rezervoar za olje in po potrebi izberite višjo količino oskrbe z oljem. ■ Ponovno namestite verigo. Sledite navodilom v razdelku: NAMEŠČANJE/ZAMENJAVA MEČA IN VERIGE
Veriga se med običajno uporabo razrahlja ali pade z vodila.	<ul style="list-style-type: none"> ■ Med običajnem delovanjem žage narašča temperatura verige. ■ Veriga ne aktivira pogonskega zobnika. 	<ul style="list-style-type: none"> ■ Verigo napnite v skladu z navodili v razdelku „PRILAGAJANJE NAPETOSTI VERIGE“. ■ Ponovno namestite verigo. Sledite navodilom v razdelku: NAMEŠČANJE/ZAMENJAVA MEČA IN VERIGE
Ob delovanju sta meč in veriga vroča, prisoten je dim.	<ul style="list-style-type: none"> ■ Če se na zaslonu LCD prikaže indikator nizke ravni olja, je rezervoar za olje verige prazen. ■ Delci v utoru vodila meča. 	<ul style="list-style-type: none"> ■ Preverite nivo olja. Če je treba napolnite rezervoar za olje. ■ Iz utora očistite delce.
Na LCD-zaslonu se prikaže indikator nizkega nivoja olja, čeprav je v rezervoarju dovolj olja, ali pa se indikator nizkega nivoja olja morda ne pokaže, čeprav olja primanjkuje. Tudi če v rezervoarju za olje primanjkuje olja, LCD zaslon ne prikazuje indikatorja nizkega nivoja olja.	<ul style="list-style-type: none"> ■ Komponenta za zaznavanje nivoja olja še ni zaznala pravega nivoja olja zaradi ostanka olja ali zraka v oljni cevi. ■ Napaka komponente za zaznavanje nivoja olja. 	<ul style="list-style-type: none"> ■ Počakajte nekaj minut, da iz oljne cevi odteče preostalo olje ali zrak.



GARANCIJA

GARANCIJSKA POLITIKA DRUŽBE EGO

Za popolne pogoje garancijske politike družbe EGO obiščite spletno mesto egopowerplus.eu.

SL

PERSKAITYKITE VISAS INSTRUKCIJAS!



SKAITYTI NAUDOTOJO INSTRUKCIJĄ

⚠️ ĮSPĖJIMAS. Kad būtų užtikrintas saugumas ir patikimumas, visus remonto darbus turi atlikti kvalifikuotas techninės priežiūros specialistas.

⚠️ ĮSPĖJIMAS. Prieš pradėdami naudoti šį įrenginį, perskaitykite visus šioje naudojimo instrukcijoje pateiktus saugos nurodymus, taip pat susipažinkite su visais saugos įspėjamaisiais simboliais, tokiais kaip „PAVOJUS“, „ĮSPĖJIMAS“ ir „DĖMESIO“, ir įsitikinkite, ar juos supratote. Nesilaikant visų toliau išdėstytų nurodymų galima patirti elektros smūgį, sukelti gaisrą ir (ar) sunkiai susižaloti.



Įspėjimas dėl saugos



Užsidėti apsauginius akinius



Užsidėti galvos apsaugos priemonę



Saugotis grandininio pjūklo atatranks ir sąlyčio su juostos viršūne



Informacija apie kreipiamąją juostą



Garantuojamas garso galios lygis. Triukšmo sklaida į aplinką atitinka Europos Bendrijos direktyvą.



Šis gaminytis atitinka taikomas EB direktyvas



Bluetooth®

mm Milimetrai

V Įtampa

IPX5 Apsauga nuo vandens srovį

ĮŠSAUGOKITE VISAS INSTRUKCIJAS SU ĮSPĖJIMAIS, NES JŲ GALI PRIREIKTI ATEITYJE.

SAUGOS SIMBOLIAI

⚠️ ĮSPĖJIMAS. Bet koks elektrinis įrankis naudojimo metu gali išsviesti šiukšles, kurios gali pataikyti į akis ir sunkiai jas sužaloti. Prieš pradėdami naudoti elektrinį įrankį, visada užsidėkite apsauginius akinius arba apsauginius akinius su šonine apsauga ir, jei reikia, visą veidą dengiantį skydelį. Rekomenduojame naudoti platų matymo lauką užtikrinančią apsauginę kaukę, dedamą ant akinių, arba standartinius apsauginius akinius su šonine apsauga.



Kad sumažintų susižalojimo pavojų, prieš naudodamas šį gaminį naudotojas turi perskaityti naudotojo vadovą ir įsitikinti, kad jį suprato



Dėvėti klausos apsaugos priemonės



Mūvėti apsaugines pirštines



Pjovimo juostos viršūnės atatranka



Grandininį pjūklą visada laikyti abiem rankomis



Netinkamas naudoti elektrinius įrankius draudžiama išmesti kartu su buitinėmis atliekomis. Pristatyti įgiotam perdirbėjui.



Šis gaminytis atitinka taikomas JK direktyvas.



Nuolatinė srovė

n_0 Sūčiai be apkrovos

./min Per minutę

TECHNINIAI DUOMENYS

Vardinė įtampa	56V
Maks. grandinės greitis	30 m/s
Grandinės žingsnis	8,255 mm / 0,325 col.
Pjovimo gylio ribotuvas	1,3 mm
Kreipiamosios juostos ilgis	50 cm
Pjūklo grandinės modelis	AC2035 (rekomenduojama)
	AC1635, AC1835 (Suderinama)
Pjūklo grandinės ir kreipiamosios juostos modelis	AK2035 (rekomenduojama)
	AK1635, AK1835 (Suderinama)
Grandinės alyvos bakelio talpa	250 ml
Svoris (be sudėtinės baterijos, pjūklo grandinės, kreipiamosios juostos, šoninio dangtelio, alyvos ir grandinės užmovos)	4,3 kg
Rekomenduojama darbo temperatūra	-15°C iki 40°C
Rekomenduojama laikymo temperatūra	-20 iki 70°C
Rekomenduojama įkrovimo temperatūra	5°C iki 40°C
Išmatuotas garso galios lygis L_{WA}	102 dB(A) K=2,3 dB(A)
Garso slėgio lygis darbinėje padėtyje L_{PA}	92 dB(A) K=3 dB(A)
Garantuojamas garso galios lygis L_{WA} (išmatuotas pagal 2000/14/EB)	104 dB(A)
Vibracija a_n	Priekinė rankena 3,3 m/s ² K=1,5 m/s ²
	Galinė rankena 1,74 m/s ² K=1,5 m/s ²

- Nurodyta bendroji vibracijos vertė išmatuota taikant standartinį bandymo metodą, todėl pagal ją galima palyginti skirtingus įrankius.
- Nurodytą bendrąją vibracijos vertę taip pat galima naudoti pirminiam poveikio vertinimui.

PASTABA: Naudojant įrankį realiomis sąlygomis, sklaidžiamos vibracijos stiprumo vertė gali skirtis nuo nurodytos. Kad apsisaugotų dirbdamas realiomis sąlygomis, naudotojas turi mūvėti pirštines ir naudoti klausos apsaugos priemones.

PAKUOTĖS TURINIO SĄRAŠAS (A1 PAV.)

APRAŠYMAS

GRANDININIO PJŪKLO DALYS (A1 pav.)

1. Pjūklo grandinė
2. Grandinės atatranksio stabdymo mentė
3. Priekinė rankena
4. LCD ekranas
5. Greičio lygis
6. „Bluetooth“ piktograma
7. Žibinto piktograma
8. Stabdžio piktograma
9. Aukštos temperatūros indikatorius
10. Įkrovos indikatorius žiedas
11. Apkrovos srovės lygis
12. Žemo alyvos lygio indikatorius
13. Žibinto / „Bluetooth“ mygtukas
14. Alyvos padavimo mygtukas
15. Alyvos išėjimo lygis
16. Blokuotės išjungimo mygtukas
17. Pagrindinis jungiklis
18. Galinė rankena
19. Grandinės greičio perjungiklis
20. Baterijos atjungimo mygtukas
21. Alyvos lygio patikros langelis
22. Alyvos bakelio dangtelis
23. Kreipiamoji juosta
24. Tepimo skylutė
25. Grandinės įtempimo varžtas
26. Šoninis dangtelis
27. Fiksavimo varžtas
28. Apsauginiai smaigai
29. LED darbinis žibintas
30. Grandinės užmova
31. Daugiafunkcis raktas

SURINKIMAS

KREIPIAMOSIOS JUOSTOS IR GRANDINĖS UŽDĖJIMAS IR KEITIMAS

⚠️ ĮSPĖJIMAS. Prieš pradėdami surinkimą grandinės atatrunkos stabdymo rankeną nustatykite į stabdymo padėtį.

1. Paguldykite grandininio pjūklo variklio bloką ant šono taip, kad šoninis dangtelis būtų viršuje (B pav.).
2. Nuimkite šoninį dangtelį, atsukdami dvi fiksavimo veržles prieš laikrodžio rodyklę.
3. Pasukite grandinės įtempimo varžtą prieš laikrodžio rodyklę, kad atlaisvintumėte grandinės įtempimą.
4. Paguldykite pjūklo grandinės kilpą ant lygaus paviršiaus ir ištiesinkite sulenktas vietas (C pav.).
5. Įstatykite grandininės varančiuosius narelius į kreipiamosios juostos griovelį, palikdami grandinės kilpą kreipiamosios juostos gale (D pav.).
6. Laikydami grandinę ant kreipiamosios juostos, uždėkite jos kilpą ant pjūklo žvaigždutės (E1 pav.).

B-1	Fiksavimo veržlės	D-2	Kreipiamosios juostos griovelis
B-2	Grandinės įtempimo varžtas	E-1	Varančioji žvaigždutė
D-1	Grandinės varantieji nareliai		

LT

PASTABA: Uždėdami pjūklo grandinę ant kreipiančiosios juostos įsitikinkite, kad, pritvirtinus kreipiamąją juostą prie pjūklo, pjūklo judėjimo kryptis atitiktų grandinės sukimosi krypties rodyklę ant korpuso. Priešingu atveju iš naujo uždėkite pjūklo grandinę ant kreipiamosios juostos taip, kad grandinės sukimosi kryptis sutaptų su rodyklės kryptimi (E2 pav.).

7. Uždėkite šoninį dangtelį ant grandininio pjūklo korpuso ir iki galo priveržkite abi fiksavimo veržles.
8. Pasukite grandinę ranka, kad patikrintumėte, ar ji tinkamai uždėta ir neklūna. Priešingu atveju iš naujo surinkite grandinę ir juostą.

PASTABA: norėdami prailginti kreipiamosios juostos naudojimo trukmę, retkarčiais ją apverskite.

GRANDINĖS ĮTEMPIMO REGULIAVIMAS

- Prieš reguliuodami grandinės įtempimą išjunkite variklį ir išimkite sudėtinę bateriją. Reguluokite

grandinės įtempimą sukdami grandinės įtempimo varžtą pagal arba prieš laikrodžio rodyklę (F pav.), kol grandinė gerai priglus prie kreipiamosios juostos, o varantieji nareliai atsidurs kreipiamosios juostos griovelyje.

- Atvėsusi grandinė yra tinkamai įtempta, kai nėra laisvumo kreipiamosios juostos apačioje ir kai grandinė gerai prigludusi, tačiau ją galima pasukti ranka ir ji nestringa. Jei varančiųjų narelių plokštumos neįstatytos į kreipiamosios juostos griovelį, grandinę reikia įtempti iš naujo.
- Įprastai dirbant su pjūklu grandinė įkaista. Įkaitusios tinkamai įtemptos grandinės varantieji nareliai maždaug 1,3 mm išlenda iš kreipiamosios juostos griovelio (G pav.).

PASTABA: Naujos grandinės paprastai išsitempia. Dažnai tikrinkite grandinės įtempimą ir, jei reikia, įtemptkite.

PASTABA: Jei įtemptiama įkaitusi grandinė, atvėsusi ji gali būti įtempta per stipriai. Prieš naudodami kitą kartą, patikrinkite atvėsusios grandinės įtempimą.

DARBAS

⚠️ ĮSPĖJIMAS. Mokėjimas naudotis šiuo gaminiu nesuteikia teisės dirbti nerūpestingai. Atminkite, kad net akimirksniui atitraukę dėmesį galite sunkiai susižaloti.

⚠️ ĮSPĖJIMAS. Nenaudokite jokių papildomų įtaisų ar priedų, kurių nerekomendavo šio gaminio gamintojas. Naudojant nerekomenduojamus papildomus įtaisus ar priedus galima sunkiai susižaloti.

⚠️ ĮSPĖJIMAS. Norėdami išvengti atsitiktinio paleidimo ir galimo sunkaus sužalojimo, visada išimkite sudėtinę bateriją iš įrankio, kai montuojate dalis, reguliuojate, valote arba įrankio nenaudojate.

Kaskart prieš naudodami gaminį nuodugniai jį patikrinkite, ar nesugadintas ir netrūksta ar neatsilaisvinusios dalys, pavyzdžiui, sraigčiai, veržlės, varžtai, dangteliai ir pan. Tvirtai priveržkite visas tvirtinimo detales ir dangtelius ir nenaudokite šio gaminio, kol nepakeisite visų trūkstančių ar sugadintų dalių.

NAUDOJIMAS

Šiuo gaminiu galima įprastai versti medžius, genėti stambias ir smulkias šakas, pjaustyti pjautinę medieną ir rąstus.

PASTABA: Įrenginį galima naudoti tik pagal numatytąją paskirtį. Bet koks kitas naudojimas laikomas netinkamu.

KREIPIAMOSIOS JUOSTOS IR GRANDINĖS ALYVOS

ĮPYLIMAS

⚠️ ĮSPĖJIMAS. Nerūkykite ir nenaudokite ugnies ar liepsnos arti alyvos arba grandininio pjūklo. Alyva gali išsilieti ir sukelti gaisrą.

PASTABA: Įsigytas naujas grandininis pjūklas neužpildytas alyva. Prieš naudojant pjūklą, bakelį būtina pripildyti alyvos. Dirbant grandinė automatiškai tepama grandinių alyva.

1. Paguldykite grandininį pjūklą ant šono taip, kad bakelio dangtelis būtų viršuje.
2. Kad į alyvos bakelį nepatektų nešvarumų, nuvalykite jo dangtelį ir plotą aplink dangtelį.
3. Pakelkite pusapvalę plokštelę ir, sukdami prieš laikrodžio rodyklę, nuimkite alyvos bakelio dangtelį (H pav.).
4. Atsargiai pripilkite krepiamųjų juostų ir grandinių alyvos į bakelį. Pripilkite iki bakelio kakliuko apačios.
5. Nušluostykite alyvos perteklių ir užsukite dangtelį.

PASTABA: Dažnai tikrinkite alyvos lygį ir papildykite, kai jis nukrenta žemiau minimalaus kiekio linijos. Niekada nedirbkite grandininio pjūklu, jei lygio patikros langelyje alyvos nesimato.

SUDĖTINĖS BATERIJOS ĮSTATYMAS IR IŠĖMIMAS

PASTABA. Kuro matuoklio žiedas LCD ekrane rodo baterijos įkrovimo lygį (pav. A1). Žiedas mirksės, kai baterija bus beveik išsikrovusi. Prieš naudodami iki galo įkraukite sudėtinę bateriją.

Naudokite tik A2 pav. išvardintas EGO sudėtines baterijas ir įkroviklius.

Prieš bateriją naudodami pirmą kartą, visiškai ją įkraukite.

Įstatymas

Įtaikykite sudėtinės baterijos iškyšas į tvirtinimo griovelius ir spauskite bateriją žemyn, kol išgirsite spragtelėjimą (I pav.).

Išėmimas

Paspauskite baterijos atjungimo mygtuką ir ištraukite bateriją (J pav.).

GRANDININIO PJŪKLO PALEIDIMAS IR SUSTABDYMAS

PASTABA: Prieš paleidami grandininį pjūklą, patikrinkite alyvos lygį, grandinės dantukų aštrumą ir ar tinkamai veikia atatranks stabdymo mentė. Taip pat tvirtai atsistokite ir

laikykite pjūklą tinkamame aukštyje virš žemės.

Paleidimas (K pav.)

1. Patraukite grandinės atatranks stabdymo mentę priekinės rankenos link, į darbinę padėtį (K pav.).
2. Kairiaja ranka tvirtai laikykite priekinę rankeną, o dešiniąja – galinę rankeną.

⚠️ ĮSPĖJIMAS. Kad išvengtumėte sužalojimų, visada grandininį pjūklą naudokite dešine ranka laikydami už galinės rankenos sugriebimo vietoje (L pav.).

3. Dešiniosios rankos nykščiu paspauskite ir laikykite nuspaužę blokuotės išjungimo mygtuką, tada kitais tos pačios rankos pirštais nuspauskite pagrindinį jungiklį ir paleiskite pjūklą (L pav.).

L-1	Sugriebimo vieta
-----	------------------

4. Atleiskite blokuotės išjungimo mygtuką ir toliau laikykite nuspaužę pagrindinį jungiklį, kad įrankis nuolat veiktų.
5. Kuo stipriau spaudžiamas pagrindinis jungiklis, tuo didesnis grandinės sukimosi greitis. Nusistatykite savo užduočiai tinkamą greitį.

⚠️ ĮSPĖJIMAS. Nebandykite paleisti pjūklo, kai pjūklo grandinė įstatyta į įpjovą.

Sustabdymas

1. Atitraukite grandininį pjūklą nuo pjovimo zonos ir atleiskite pagrindinį jungiklį, kad pjūklą sustabdytumėte.
2. Pastumkite grandinės atatranks stabdymo mentę pirmyn į stabdymo padėtį, kad įjungtumėte grandinės stabdį (K pav.).

⚠️ ĮSPĖJIMAS. Darydami pertraukas arba baigę dirbti, visada išimkite sudėtinę bateriją iš įrankio.

GREIČIO REŽIMO KEITIMAS M PAV.)

Įrankyje yra trys greičio režimai. Kiekvienas greičio režimas riboja didžiausią grandininio pjūklo greitį. Greičio režimas pakeičiamas kiekvieną kartą paspaudus grandinės greičio perjungiklį.

Greičio lygis LCD ekrane rodo įjungtą greičio režimą: viena juostelė – mažas greitis, dvi juostelės – vidutinis greitis, trys juostelės – didelis greitis. Pasirinkus mažą greitį (ECO) lengviau valdyti įrankį ir jis ilgiau dirba su viena įkrova.

M-1	Greičio lygis	M-7	Apkrovos srovės lygis
M-2	„Bluetooth“ piktograma	M-8	Žibinto / „Bluetooth“ mygtukas
M-3	Žibinto piktograma	M-9	Alyvos padavimo mygtukas
M-4	Stabdžio piktograma	M-10	Grandinės greičio perjungiklis
M-5	Aukštos temperatūros indikatorius	M-11	Alyvos išėjimo lygis
M-6	Įkrovos indikatorius žiedas	M-12	Žemo alyvos lygio indikatorius

PASTABA. Kai naudojate 4,0 Ah arba mažesnės talpos EGO sudėtinę bateriją, galite naudoti tik ECO režimą. Jei naudojate EGO sudėtinę bateriją, kurios talpa yra iki 6,0 Ah, didelio greičio negalite pasiekti. Kad įrankis kuo geriau veiktų, rekomenduojame naudoti 6,0 Ah arba didesnės talpos (pvz., BA3360T) EGO sudėtinės baterijas.

PASTABA. Grandininis pjūklas turi grandinės greičio atminties funkciją. Kitą kartą įjungus grandininį pjūklą, bus įjungtas anksčiau naudotas greičio režimas.

LT

PASTABA. LCD ekranas pradeda šviesti paspaudus pagrindinį jungiklį, alyvos padavimo mygtuką arba žibinto / „Bluetooth“ mygtuką. Pagal numatytuosius nustatymus LCD ekranas automatiškai išsijungia po maždaug 1 sekundės neveikimo.

PASTABA. Paspaudus grandinės greičio perjungiklį, LCD ekranas nebus įjungtas.

APKROVOS LYGIS (M pav.)

Apkrovos lygis dešinėje LCD ekrano pusėje rodo dabartinę įrankio apkrovą. Didėsnis juostelių skaičius rodo didesnę apkrovą, o mažesnis juostelių skaičius rodo mažesnę apkrovą.

Ši funkcija pirmiausia skirta patyrusiems dujomis varomų grandininį pjūklų naudotojams, kurie gali „nejausti“, kaip baterijomis maitinamas pjūklas veikia esant skirtingoms apkrovoms. Tai padeda naudotojams stebėti darbo krūvį, kad būtų išvengta ilgo veikimo esant didelei apkrovai, todėl grandininis pjūklas gali dėti perkaitimo nustoti veikti.

AUKŠTOS TEMPERATŪROS INDIKATORIUS (M pav.)

Aukštos temperatūros indikatorius pradeda šviesti, kai veikiančio įrankio temperatūra viršija 194 °F (90 °C) arba baterijos temperatūra viršija 158 °F (70 °C). Apsauginė temperatūros grandinė nedelsdama išjungs įrankį, kad būtų išvengta perkaitimo sukeltos žalos. Atleiskite jungiklį ir palaukite, kol perkaitęs įrankis arba baterija atvės ir aukštos temperatūros indikatorius išsijungs, tada iš naujo paleiskite įrankį.

STABDŽIŲ PIKTOGRAMA (M pav.)

Stabdžių piktograma pasirodo LCD ekrane, kai stabdymo mentė yra stabdymo padėtyje.

Stabdžių piktograma mirksi, kai įvairiakryptė grandinės stabdžių sistema sustabdo pjūklą. Išsamią informaciją rasite kitame skyriuje.

ĮVAIRIAKRYPTĖ GRANDINĖS STABDYMO SISTEMA (N1 ir N2 pav.)

Įvairiakryptė grandinės stabdymo sistema nėra skirta standartiniam ar įprastiniam pjūklo stabdžiu pakeisti. Naudotojas niekada neturi pasitikėti šia funkcija grandininio pjūklo darbo metu, kad ji gali apsaugoti nuo atatranks. Visada vadovaukitės saugos instrukcijomis, susijusiomis su šime įspėjimų skyriuje nurodytomis apsaugos nuo atatranks priemonėmis.

Kai įvairiakryptė grandinės stabdymo sistema suveikia ir pjūklą sustabdomas, LCD ekrane pradeda mirksėti stabdžių piktograma (M pav.). Atleiskite pagrindinį jungiklį, ištraukite grandinę ir kreipiamąją juostą iš medienos ir vėl paleiskite grandininį pjūklą.

PASTABA. Jutikliai netikėtą pjūklo judesį gali aptikti tik tuo atveju, jei pjūklas yra kreipiamosios juostos plokštumoje (N1 pav.). Jutikliai negali aptikti jokio staigaus pjūklo judesio į šonus (N2 pav.) (t. y. statmenai kreipiamosios juostos plokštumai).

ALYVOS IŠĖJIMO LYGIS IR ŽEMO ALYVOS LYGIO INDIKATORIUS (M pav.)

Įrankis automatiškai sutepa grandinę. Šime grandininiam pjūkle galite keisti alyvos išėjimo greitį kiekvienu alyvos padavimo mygtuko paspaudimu.

PASTABA. Alyvos išėjimo greitį galima keisti tik tada, kai pjūklo grandinė neveikia.

Alyvos išėjimo lygis LCD ekrane rodytų alyvos išėjimo greitį. Viena juostelė nurodo mažą išėjimo greitį, dvi juostelės – vidutinį išėjimo greitį ir trys juostelės – didelį išėjimo greitį.

Pasirinkite didesnį išėjimo greitį, kad grandinės greitis būtų didesnis. Jei pjūklo grandinė darbo metu išdžiūsta, sustab-

dykite variklį ir pasirinkite didesnę alyvos išėjimo greitį.

Esant žemam alyvos lygiui, LCD ekrane virš alyvos išėjimo juostelių bus parodytas žemo alyvos lygio indikatorius ir bus galima naudoti tik mažą išėjimo greitį. Sustabdykite grandininį pjūklą ir papildykite alyvos bakelį, vadovaudamiesi nurodymais skyriuje **ALYVOS BAKELIO PRIPILDYMAS JUOSTOS IR GRANDINĖS TEPALU**.

Užpildę alyvos bakelį, paleiskite grandininį pjūklą maždaug 10 sekundžių, kad automatinė tepimo sistema pradėtų veikti, o indikatorius išnyktų LCD ekrane.

PASTABA: Jei atlikus pirmiau nurodytus veiksmus indikatorius vis dar šviečia LCD ekrane, sistema gali būti sugadinta. Nustokite naudoti grandininį pjūklą ir kreipkitės į EGO įgaliotą techninės priežiūros centrą dėl remonto.

LED DARBINIS ŽIBINTAS (O pav.)

LED darbinis žibintas yra grandininio pjūklo korpuso priekyje. Žibintas užtikrina geresnį matomumą ir jame yra 2 ryškumo lygiai.

Norėdami žibintą įjungti, vieną kartą spustelėkite žibinto / „Bluetooth“ mygtuką (M pav.). Žibintas įsijungs mažo ryškumo lygiu, o LCD ekrane atsiras mažo ryškumo žibinto piktograma. Dar kartą spustelėjus žibinto / „Bluetooth“ mygtuką, žibintas persijungs į didelio ryškumo lygį, o LCD ekrane atsiras didelio ryškumo žibinto piktograma.

Norėdami žibintą išjungti, spustelėkite žibinto / „Bluetooth“ mygtuką trečiąjį kartą, ir žibinto piktograma išnyks iš LCD ekrano.

0-1	Mažo ryškumo žibinto piktograma	0-3	LED darbinis žibintas
0-2	Didelio ryškumo žibinto piktograma		

RYŠIO TECHNOLOGIJA

Norėdami gauti informacijos apie visus mūsų prijungtinius gaminius ir paslaugas, įskaitant prijungimo instrukcijas, nuskaitykite toliau pateiktą QR kodą arba apsilankykite svetainėje www.egopowerplus.eu/connect.



TINKAMAS RANKENŲ LAIKYMAS (P1 PAV.)

- Mūvėkite neslidžias pirštines, užtikrinančias tvirtiausią sugriebimą ir apsaugą.
- Paguldę pjūklą ant tvirtu ir lygaus paviršiaus, tvirtai jį suimkite abiem rankomis.
- Visada kairiąja ranka laikykite priekinę rankeną, o dešiniąja – galinę rankeną.
- Pirštai turi apimti rankeną. Priekinės rankenos apačioje turi būti nykštys.

⚠ ĮSPĖJIMAS. Niekada nelaikykite pagrindinės rankenos kairiąja ranka (nesukryžiuokite rankų) ir nestovėkite taip, kad kūnas arba ranka kirstų grandinės plokštumą.

⚠ ĮSPĖJIMAS. Greičio reguliavimo jungiklio nespauskite kaire ranka, o priekinės rankenos nelaikykite dešine ranka. Pjaudami grandininio pjūklu niekada nestovėkite taip, kad kūnas arba ranka kirstų grandinės plokštumą (P2 pav.).

TINKAMA STOVĖSENA PJAUNANT (Q PAV.)

- Reikia abiem kojomis stovėti ant tvirtu pagrindo ir tolygiai paskirstyti kūno svorį ant jų.
- Kairioji ranka turi būti ištiesta, o alkūnė turi būti fiksuotoje padėtyje. Tai padeda atlaikyti atatranksos sukuriamas jėgas.
- Kūnas visada turi būti grandinės plokštumos kairėje pusėje.

NURODYMAI DĖL TINKAMŲ METODŲ, TAIKYTINŲ ĮPRASTAI LEIDŽIANT MEDŽIUS, GENINT ŠAKAS IR DARANT SKERSINIUS PJŪVIUS

⚠ ĮSPĖJIMAS. Kai variklis paleistas, visada tvirtai stovėkite ir laikykite pjūklą abiem rankomis.

⚠ ĮSPĖJIMAS. Jei pjūklo grandinė sustoja dėl jos suspaudimo pjaunant, atleiskite jungiklį, ištraukite grandinę ir kreipiamąją juostą iš medienos ir po to vėl paleiskite grandininį pjūklą.

⚠ ĮSPĖJIMAS. Jei pjūklo grandinė apsinėšė pjuvenomis, nebraukite per ją ranka. Netikėtai pradėjęs veikti, grandininis pjūklas gali sunkiai sužaloti. Spauskite pjūklo grandinę į medį ir stumdykite pjūklą pirmyn bei atgal, kad pjuvenos pasišalintų. Visada išimkite akumuliatorių prieš valydami. Tvarkydami pjūklo grandinę, mūvėkite tvirtas apsaugines pirštines.

⚠ ĮSPĖJIMAS. Niekada nebandykite paleisti grandininio pjūklo, kai jis liečia medieną. Prieš pradėdami pjauti medieną, visada palaukite, kol grandininis pjūklas pasiek

didžiausią greitį.

MEDŽIO VERTIMAS

- Kai du arba daugiau žmonių vienu metu pjauna rąstus ir verčia medžius, medžių vertimo ir rąstų pjovimo vietas turi skirti atstumas, kuris yra bent du kartus didesnis už pjaunamo medžio aukštį. Medžių negalima versti taip, kad kiltų pavojus žmonėms, būtų kliudomos elektros perdavimo linijos arba daroma žala nuosavybei. Jei medis kliudė elektros perdavimo liniją, reikia nedelsiant informuoti elektros perdavimo sistemos operatorių.
- Grandininio pjūklo operatorius turi stovėti aukštesnėje reljefo vietoje, nes nuverstas medis dažniausiai nurieta arba nuslysta žemyn.
- Prieš pradėdami pjauti suplanuokite ir, jei reikia, išvalykite atsitraukimo kelią. Einant atsitraukimo keliu, turi būti įstrižai tolstama atgal nuo tikėtinos medžio vartimo krypties, kaip parodyta R pav.

R-1	Medžio vertimo kryptis
R-2	Saugus atsitraukimo kelias

- Prieš pradėdami leisti medį, atsižvelkite į medžio pasvirimą, didesnių šakų augimo pusę ir vėjo kryptį, kad nuspręstumėte, į kurią pusę medis virs.
- Nuo medžio nuvalykite nešvarumus, pašalinkite akmenis, atsilupusią žievę, vėnis, kabes ir vielas.

LT

Nukreipimo išpjova

Kaip parodyta S paveiksle, išpjaukite medžio vartimo kryptį statmeną nukreipimo išpjovai, kurios gylis 1/3 medžio skersmens. Pirmiausiai išpjaukite apatinę horizontalią išpjovą. Ji padės išvengti pjūklo grandinės arba kreipiamosios juostos prispaudimo pjaunant antrąją išpjovą.

S-1	Vartimo kryptis	S-3	Galinė nuvertimo išpjova
S-2	Išpjova	S-4	Lankstas

Galinė nuvertimo išpjova

- Padarykite galinę nuvertimo išpjovą, kuri būtų bent 50 mm aukščiau nei horizontali išpjova, kaip parodyta S paveiksle. Galinė nuvertimo išpjova turi būti lygiagreti su horizontalia išpjova. Galinę nuvertimo išpjovą padarykite tokio gylio, kad liktų pakankamai medienos, kuri atliktų lanksto funkciją. Lanksto funkciją atliekanti medžio dalis neleis žiedui pasisukti ir virsti netinkama kryptimi. Neperpjaukite lanksto funkciją atliekančios dalies.

- Kai nuvertimo išpjova priartėja prie lanksto funkciją atliekančios dalies, medis turi pradėti virsti. Jei yra tikimybė, kad medis virs netinkama kryptimi arba pasvirus atgal ir prispaus pjūklo grandinę, nustokite daryti galinę nuvertimo išpjovą, mediniais, plastikiniais arba aliumininiais pleištais išplėskite išpjovą ir nuverskite medį reikiama kryptimi.
- Kai medis pradeda virsti, ištraukite grandininį pjūklą iš išpjovos, išjunkite variklį, padėkite grandininį pjūklą ir atsitraukite suplanuotu atsitraukimo keliu. Saugokitės krintančių viršutinių šakų ir žiūrėkite, kur žengiate.

Medžio nugėnėjimas

Medžio nugėnėjimas – tai šakų pašalinimas nuo nuversto medžio. Genėdami nenujunkite didesnių apatinių šakų, kad jos laikytų kamieną virš žemės. Smulkias šakas nupjaukite vienu pjūviu, kaip parodyta T pav. Įtemptas šakas reikia pjauti iš apačios į viršų, kad jos neprispaustų grandininio pjūklo.

Rąsto pjovimas

Rąsto pjovimas – tai rasto pjaustymas į atskirus gabalus. Svarbu įsitikinti, ar tvirtai stovite ir ar kūno svoris tolygiai paskirstytas ant abiejų kojų. Jei įmanoma, rąstą reikia pakelti ir atremti šakomis, rąstais arba trinkomis. Laikykitės paprastų nurodymų, kad būtų lengviau pjauti.

Kai rąstas atremtas per visą ilgį, kaip parodyta U1 pav., jį reikia pjauti iš viršaus.

Kai rąstas atremtas tik viename gale, kaip parodyta U2 pav., padarykite išpjovą iš apačios, kurios gylis 1/3 skersmens. Tada atlikite baigiamąjį pjūvį iš viršaus, kol pasieksite pirmąjį pjūvį.

Kai rąstas atremtas abiejuose galuose, kaip parodyta U3 pav., padarykite išpjovą iš viršaus, kurios gylis 1/3 skersmens. Tada atlikite baigiamąjį pjūvį iš apačios (per likusį 2/3 skersmens), kol pasieksite pirmąjį pjūvį.

Kai pjaunate nuožulnioje vietoje, visada stovėkite aukščiau, nei guli rąstas, kaip parodyta V pav.

Jei darydami pjūvį norite išlaikyti visišką kontrolę, pjūvio pabaigoje silpniau spauskite, tačiau tvirtai laikykite grandininio pjūklo rankenas. Neleiskite grandinei paliesti žemės. Kai nupjaunate, prieš patraukdami grandininį pjūklą palaukite, kol pjūklo grandinė sustos. Visada išjunkite variklį prieš eidami prie kito medžio.

TECHNINĖ PRIEŽIŪRA

⚠ ĮSPĖJIMAS. vykdydami techninės priežiūros darbus, naudokite tik identiškas atsargines dalis. Naudojant bet kokias kitas dalis, gali kilti pavojus arba sugesti gaminy.

Kad būtų užtikrintas saugumas ir patikimumas, visus remonto darbus turi atlikti kvalifikuotas techninės priežiūros specialistas.

⚠️ ĮSPĖJIMAS. Visada išimkite sudėtinę bateriją iš gaminio prieš jį tikrindami, valydami arba prieš vykdydami jo techninės priežiūros darbus, kad išvengtumėte pavojaus sunkiai susižaloti. Akumuliatorinis įrankis su įdėta sudėtine baterija yra nuolat prijungtas prie maitinimo įtampos, todėl gali būti atsitiktinai paleistas.

⚠️ ĮSPĖJIMAS. Kai valote grandininį pjūklą, NEMERKITE jo į vandenį ar kitokį skystį.

⚠️ ĮSPĖJIMAS. Niekada neleiskite stabdžių skysčiui, benziniui, naftos produktams, skvarbiai alyvai ir panašioms medžiagoms patekti ant plastikinių dalių. Chemikalai gali sugadinti, susilpninti arba suardyti plastiką. Dėl to galite sunkiai susižaloti.

VALYMAS

- Kaskart po naudojimo minkštu šepetėliu nuvalykite nešvarumus nuo grandinės ir krepimosios juostos. Grandininio pjūklo paviršių valykite švaria šluoste, sudrėkinta mažos koncentracijos muilo tirpalu.
- Nuimkite šoninį dangtelį ir minkštu šepetėliu nuvalykite nešvarumus nuo krepimosios juostos, pjūklo grandinės, žvaigždutės ir šoninio dangtėlio.
- Nuimkite apatinį dangtelį maždaug kas 8 darbo valandas ir minkštu šepetėliu pašalinkite šiukšles, esančias įrankio viduje ir ant dangtėlio (W pav.).
- Keisdami pjūklo grandinę, iš krepimosios juostos griovelio būtinai išvalykite medienos skiedras, pjūvenas ir nešvarumus.

KREPIAMOSIOS JUOSTOS TECHNINĖ PRIEŽIŪRA

Kai ant krepimosios juostos pasirodo susidėvėjimo požymių, nuimkite ją nuo grandininio pjūklo variklio bloko ir vėl uždėkite apverstą (X1 pav.). Tokiu būdu ji tolygiau dils ir paigės jos naudojimo trukmė.

Kiekvieną dieną, kai dirbate su įrankiu, reikia nuvalyti juostą ir patikrinti, ar ji nesusidėvėjusi ir nepažeista (X2 pav.). Krepimosios juostos bėgelių šiaušimasis arba šerpetų atsiradimas juose yra normalūs juostos dilimo požymiai. Atsiradusius tokius nelygumus galima pašalinti su dilde. Krepiamąją juostą, kurioje yra toliau nurodytų defektų, reikia pakeisti:

- Išdilimas juostos bėgelyje, dėl kurio grandinė pakrypsta.
- Įlenkta krepiamoji juosta.
- Įtrūkę arba sulūžę bėgeliai.

- Išsiplėtę bėgeliai.

Be to, krepimosios juostos viršūnėje yra žvaigždutė (X3 pav.).

Žvaigždutę reikia kas savaitę sutepti tepimo švirkštu, kad prailgintumėte krepimosios juostos naudojimo trukmę. Kas savaitę tepimo švirkštu įleiskite grandinės alyvos į tepimo skylutę (W4 pav.). Pasukite krepiamąją juostą ir patikrinkite, ar tepimo skylutėse ir grandinės griovelyje nėra nešvarumų.

X-1	Juostos bėgeliai	X-3	Tepimo skylutė
X-2	Žvaigždutė krepimosios juostos viršūnėje		

PASTABA: Kad pasiektumėte geriausių rezultatų, naudokite EGO patvirtintus tepalus.

GABENIMAS IR LAIKYMAS

Nepalikite laikymo vietoje ir neneškite įjungto grandininio pjūklo. Prieš padėdami į sandėlį arba gabendami būtinai išimkite sudėtinę bateriją.

Visada uždėkite užmovą ant krepimosios juostos prieš palikdami grandininį pjūklą laikymo vietoje arba gabendami. Būkite atsargūs, kad nepaliestumėte aštrių grandinės dantukų.

Kruopščiai nuvalykite grandininį pjūklą prieš padėdami jį į sandėlį. Grandininį pjūklą laikykite patalpoje, kuri yra sausa, rakinama ir (ar) neprieinama vaikams.

Laikykite toliau nuo esdinančių medžiagų, pvz., sodo chemikalų ir ledo tirpdygimo druskų.

APLINKOS APSAUGA



Neišmeskite elektros įrangos, panaudotų baterijų ir įkroviklio kartu su buitinėmis atliekomis!

Šias atliekas reikia pristatyti į jų surinkimo vietą ar įgaliotam perdirbėjui. Elektrinius įrankius reikia grąžinti į tokių atliekų perdirbimo įmonę.

TRIKDŽIŲ ŠALINIMAS

⚠️ ĮSPĖJIMAS. Kai vykdytė grandininio pjūklo techninės priežiūros darbus, visada apsaugokite rankas, užsimaudami tvirtas pirštines. Visada išimkite sudėtinę bateriją, kai vykdytė grandininio pjūklo techninės priežiūros darbus arba jį gabenate.

PROBLEMA	PRIEŽASTIS	SPRENDIMAS
Neįsijungia variklis.	<ul style="list-style-type: none"> ■ Sudėtinė baterija neprijungta prie grandininio pjūklo. ■ Nėra elektrinio kontakto tarp pjūklo ir sudėtinės baterijos. ■ Jei LCD ekrane mirksi įkrovos indikatoriaus žiedas, sudėtinė baterija išseikvota. ■ Jei LCD ekrane rodomas aukštos temperatūros indikatorius, sudėtinė baterija arba grandininis pjūklas yra per karšti. ■ Jei LCD ekrane pasirodo grandinės stabdžio piktograma, įjungtas grandinės stabdymas. ■ Nešvarumai kreipiamosios juostos griovelyje. ■ Nešvarumai šoniniame gaubte. 	<ul style="list-style-type: none"> ■ Prijunkite sudėtinę bateriją prie grandininio pjūklo. ■ Išimkite sudėtinę bateriją, patikrinkite kontaktus ir vėl ją įstatykite. ■ Įkraukite sudėtinę bateriją. ■ Palaukite, kol sudėtinė baterija arba grandininis pjūklas atvės iki žemesnės nei 67 °C temperatūros. ■ Patraukite grandinės atatrakos stabdymo mentę atgal prie kinės rankenos link į darbinę padėtį. ■ Spauskite pjūklo grandinę į medį ir stumdykite pjūklą pirmyn bei atgal, kad pjuvenos pasišalintų. ■ Išimkite sudėtinę bateriją, nuimkite šoninį dangtelį ir išvalykite nešvarumus.
Negalima pakeisti greičio režimo.	<ul style="list-style-type: none"> ■ Grandinės greičio keitiklį užkimšo šiukšlės. 	<ul style="list-style-type: none"> ■ Išvalykite šiukšles aplink grandinės greičio keitiklį.
Grandininis pjūklas netikėtai nustoja veikti.	<ul style="list-style-type: none"> ■ Grandininio pjūklo perkrova. ■ Jei LCD ekrane rodomas aukštos temperatūros indikatorius, sudėtinė baterija arba grandininis pjūklas yra per karšti. ■ Pjūklo grandinė įstrigo medienoje. ■ Jei LCD ekrane mirksi grandinės stabdžio piktograma, pjūklą sustabdę įvairiakryptę grandinės stabdymo sistema. 	<ul style="list-style-type: none"> ■ Sumažinkite apkrovą. ■ Palaukite, kol sudėtinė baterija arba grandininis pjūklas atvės iki žemesnės nei 67 °C temperatūros. ■ Atleiskite pagrindinį jungiklį, ištraukite grandinę ir pjovimo juostą iš medienos ir tuomet vėl paleiskite grandininį pjūklą. ■ Atleiskite pagrindinį jungiklį, ištraukite grandinę ir pjovimo juostą iš medienos ir tuomet vėl paleiskite grandininį pjūklą.
Variklis veikia, tačiau grandinė nesisuka.	<ul style="list-style-type: none"> ■ Grandinė nesusikabina su varančiąja žvaigždute. 	<ul style="list-style-type: none"> ■ Iš naujo uždėkite grandinę ir įsitikinkite, ar grandinės varantieji nareliai tinkamai uždėti ant žvaigždutės.

LT

PROBLEMA	PRIEŽASTIS	SPRENDIMAS
Neįsijungia grandinės stabdys.	<ul style="list-style-type: none"> Nešvarumai trukdo grandinės atitranskoms stabdymo mentei laisvai judėti. Galimas grandinės stabdžio gedimas. 	<ul style="list-style-type: none"> Nuvalykite nešvarumus nuo išorinio grandinės stabdžio mechanizmo. Kreipkitės į „EGO“ klientų aptarnavimo tarnybą dėl remonto.
Grandininis pjūklas netinkamai pjauna.	<ul style="list-style-type: none"> Nepakankamai įtempta grandinė. Atšipusi grandinė. Grandinė uždėta atvirkščiai. Sudilusi grandinė. Sausa arba per daug įtempta grandinė. Grandinė neįstatyta į kreipiamosios juostos griovelį. 	<ul style="list-style-type: none"> Iš naujo sureguliuokite įtempimą pagal nurodymus skyriuje „GRANDINĖS ĮTEMPIMO REGULIAVIMAS“. Pagaląškite grandinę. Pagal skyriuje „KREIPIAMOSIOS JUOSTOS IR GRANDINĖS UŽDĖJIMAS IR KEITIMAS“ pateiktus nurodymus vėl uždėkite pjūklą grandinę. Pakeiskite grandinę pagal nurodymus skyriuje „KREIPIAMOSIOS JUOSTOS IR GRANDINĖS UŽDĖJIMAS IR KEITIMAS“. Patikrinkite alyvos lygį. Pripildykite alyvos bakelį ir pasirinkite didesnį tiekiamos alyvos kiekį, jei reikia. Iš naujo uždėkite pjūklą grandinę pagal nurodymus skyriuje „KREIPIAMOSIOS JUOSTOS IR GRANDINĖS UŽDĖJIMAS IR KEITIMAS“.
Įprasto darbo metu grandinė atsipalaiduoja ar nukrenta nuo kreipiamosios juostos.	<ul style="list-style-type: none"> Įprastai dirbant su pjūklą, pakyla grandinės temperatūra ir ji išsitempia (atsipalaiduoja). Grandinė nesusikabina su varančiąja žvaigždute. 	<ul style="list-style-type: none"> Įtempkite grandinę pagal nurodymus skyriuje „GRANDINĖS ĮTEMPIMO REGULIAVIMAS“. Iš naujo uždėkite pjūklą grandinę pagal nurodymus skyriuje „KREIPIAMOSIOS JUOSTOS IR GRANDINĖS UŽDĖJIMAS IR KEITIMAS“.
Juosta ir grandinė įkaista bei rūksta.	<ul style="list-style-type: none"> Jei LCD ekrane pasirodo mažo alyvos lygio indikatorius, grandinės alyvos bakelis yra tuščias. Nešvarumai pjovimo juostos griovelyje. 	<ul style="list-style-type: none"> Patikrinkite alyvos lygį. Jei reikia, pripildykite alyvos bakelį. Išvalykite nešvarumus iš griovelio.
Žemo alyvos lygio indikatorius LCD ekrane užsidega netgi tuomet, kai alyvos bakelyje pakanka. Arba žemo alyvos lygio indikatorius LCD ekrane nerodomas, net jei alyvos bakelyje trūksta.	<ul style="list-style-type: none"> Alyvos lygio matavimo įtaisas dar nenustatė tikrojo alyvos lygio dėl alyvos vamzdyje likusios alyvos ar oro. Alyvos lygio matavimo įtaiso triktis. 	<ul style="list-style-type: none"> Palaukite kelias minutes, kol iš alyvos vamzdelio ištekės jame likusi alyva ar oras.



GARANTIJA

EGO GARANTIJOS TAISYKLĖS

Norėdami sužinoti visas EGO garantijos sąlygas ir nuostatas, apsilankykite interneto svetainėje adresu egopowerplus.eu

LT

214

BELAIDIS GRANDININIS PŪKLAS SU 56 V LIČIO JONŲ BATERIJA — CSX5000

IZLASIET VISUS NORĀDĪJUMUS!



IZLASIET LIETOTĀJA ROKASGRĀMATU

⚠ BRĪDINĀJUMS! Lai garantētu drošu un uzticamu instrumenta darbību, visi remontdarbi jāveic kvalificētam servisa speciālistam.

⚠ BRĪDINĀJUMS! Pirms šī instrumenta lietošanas izlasiet un izprotiet visus šajā lietotāja rokasgrāmatā iekļautos drošības norādījumus, tostarp visus drošības brīdinājuma apzīmējumus, piemēram, „**BĪSTAMI!**”, „**BRĪDINĀJUMS!**” un „**UZMANĪBU!**”. Visu turpmāk uzskaitīto norādījumu neievērošana var izraisīt

elektriskās strāvas triecienu, aizdegšanos un/vai smagus miesas bojājumus.

SAGLABĀJIET VISUS BRĪDINĀJUMUS UN INSTRUKCIJAS TURPMĀKAI ATSAUCEI.

DROŠĪBAS SIMBOLI

⚠ BRĪDINĀJUMS! Jebkura elektroinstrumenta lietošanas laikā acis var iekļūt svešķermeņi, kas var radīt smagu acu traumu. Pirms elektroinstrumenta ieslēgšanas vienmēr uzvelciet aizsargbrilles vai aizsargbrilles ar sānu aizsargiem un, ja nepieciešams, pilnu sejas aizsargmasku. Iesakām izmantot aizsargmasku ar plašu skata leņķi, ko uzvelk virs parastajām brillēm, vai arī standarta aizsargbrilles ar sānu aizsargiem.



Drošības brīdinājums



Lietot acu aizsarglīdzekļus



Valkāt galvas aizsarglīdzekļus



Uzmanieties no ķēdes zāga radīta atsitienu un saskares ar slīdes gala



Informācija par vadotnes sliedi



Garantētais skaņas intensitātes līmenis. Trokšņa emisija vidē atbilstoši Eiropas Kopienas direktīvai.



Šis izstrādājums atbilst piemērojamām EK direktīvām.



Bluetooth®

mm Milimetry

V Spriegums

IPX5 Aizsardzība pret ūdens strūkļām



Lai mazinātu traumu rašanās bīstamību, pirms šī izstrādājuma lietošanas tā lietotājam jāizlasa un jāizprot lietošanas rokasgrāmata.



Lietojiet dzirdes aizsarglīdzekļus



Valkājiet aizsargcimdus



Vadotnes slīdes gala atsitienu



Vienmēr turiet ķēdes zāģi ar abām rokām



Elektrisko izstrādājumu atkritumus nedrīkst izmest kopā ar sadzīves atkritumiem. Nogādāt uz pilnvarotu pārstrādes punktu.



Šis izstrādājums atbilst piemērojamajiem Apvienotās Karalistes tiesību aktiem.



Līdzstrāva

n_p Apgriezienu skaits bez slodzes

./min Minūtē

LV

PIEZĪME! Bluetooth® vārdiskā preču zīme un logotips ir „Bluetooth SIG, Inc.” piederošas reģistrētas preču zīmes, un šādu preču zīmju lietošana, ko jebkādā veidā izmanto „EGO”, ir saskaņā ar licenci.

SPECIFIKĀCIJAS

Nominālais spriegums	56V	
Maks. Ķēdes ātrums	30 m/s	
Ķēdes solis	8,255 mm/ 0,325"	
Ķēdes mērinstruments	1,3 mm	
Vadotnes sliedes garums	50 cm	
Zāģa ķēdes modelis	AC2035 (ieteiktais)	
	AC1635, AC1835 (Saderīgs)	
Zāģa ķēdes un vadotnes sliedes modelis	AK2035 (ieteiktais)	
	AK1635, AK1835 (Saderīgs)	
Ķēdes eļļas tvertnes ietilpība	250 ml	
Svars (bez akumulatoru bloka, zāģa ķēdes, vadotnes sliedes, sānu pārsega, eļļas un ķēdes pārsega)	4,3 kg	
Ieteicamā darba temperatūra	-15°C līdz 40°C	
Ieteicamā uzglabāšanas temperatūra	-20°C līdz 70°C	
Ieteicamā uzlādes temperatūra	5°C līdz 40°C	
Izmērītais skaņas intensitātes līmenis L_{WA}	102 dB(A) K=2,3 dB(A)	
Trokšņa spiediena līmenis operatora vietā L_{PA}	92 dB(A) K=3 dB(A)	
Garantētais skaņas intensitātes līmenis L_{WA} (saskaņā ar Direktīvu Nr. 2000/14/EK)	104 dB(A)	
Vibrācija a_h	Priekšējais rokturis	3,3 m/s ² K=1,5 m/s ²
	Aizmugurējais rokturis	1,74 m/s ² K=1,5 m/s ²

LV

- Norādītā vibrāciju kopējā vērtība ir izmērīta saskaņā ar standarta pārbaudes metodi un var tikt izmantota, lai salīdzinātu vairākus instrumentus.
- Deklarēto vibrāciju emisijas vērtību var arī lietot iepriekšējai vibrāciju iedarbības novērtēšanai.

PIEZĪME! Vibrāciju emisijas faktiskajā elektroinstrumenta darbināšanas laikā var atšķirties no norādītās vērtības. Lai pasargātu operatoru, lietotājam jāvalkā cimdi un dzirdes aizsarglīdzekļi atbilstoši faktiskajiem darba apstākļiem.

IEPAKOJUMA SATURA SARAKSTS (A1 ATT.)

APRAKSTS

PĀRZINIET SAVU ĶĒDES ZĀGI (A1 att.)

1. Zāģa ķēde
2. Ķēdes atsietna bremzes lāpstiņa
3. Priekšējais rokturis
4. LCD ekrāns
5. Ātruma līmenis
6. Bluetooth ikona
7. Priekšējās spuldzes ikona
8. Bremzes ikona
9. Augstas temperatūras indikators
10. Degvielas mērītāja aplis
11. Slodzes strāvas līmenis
12. Zema eļļas līmeņa indikators
13. Priekšējās spuldzes/Bluetooth poga
14. Eļļas padeves poga
15. Eļļas izplūdes līmenis
16. Bloķēšanas poga
17. Palaidies slēdzis
18. Aizmugurējais rokturis
19. Ķēdes ātruma pārslēdzējs
20. Akumulatora atbrīvošanas poga
21. Eļļas līmeņa pārbaudes lodziņš
22. Eļļas tvertnes vāciņš
23. Vadsliede
24. Eļļošanas atvere
25. Ķēdes spriegošanas skrūve
26. Sānu pārsegs
27. Fiksācijas uzgriežņi
28. Zāģēšanas balsteņi
29. LED priekšējās spuldzes
30. Ķēdes pārsegs
31. Daudzfunkciju uzgriežņu atslēga

MONTĀŽA

SLIEDES UN ĶĒDES UZSTĀDĪŠANA/NOMAIŅA

▲ BRĪDINĀJUMS! Pirms montāžas noregulējiet ķēdes bremzes rokturi bremzēšanas stāvoklī ķēdes apturēšanai atsietna gadījumā.

1. Novietojiet ķēdes zāga instrumentgalvu uz sāniem tā, lai sānu pārsegs būtu vērstš uz augšpusi (B att.).
2. Noņemiet sānu pārsegu, pagriežot abus fiksācijas uzgriežņus pretēji pulksteņrādītāja virzienam.
3. Lai atbrīvotu ķēdes spriegojumu, pagrieziet ķēdes spriegošanas skrūvi pretēji pulksteņrādītāja virzienam.
4. Novietojiet zāga ķēdi cilpā uz līdzenas virsmas un iztaisnojiet visus mezglus (C att.).
5. Ievietojiet ķēdes piedziņas locekļus vadotnes slīdes rievā un savienojiet ķēdi nepārtrauktā cilpā vadotnes slīdes aizmuģurē (D att.).
6. Pieturiet ķēdi uz vadotnes slīdes un uzlieciet cilpu apkārt zaru zāga ķēžratam (E1 attēls).

B-1	Fiksācijas uzgriežņi	D-2	Vadslīdes rievā
B-2	Ķēdes spriegošanas skrūve	E-1	Piedziņas ķēžrats
D-1	Ķēdes piedziņas posmi		

PIEZĪME! Uzliekot zāga ķēdi uz vadotnes slīdes, pārliecinieties, ka pēc vadotnes slīdes uzstādīšanas uz zāga sakrīt griezēja ikona un rotācijas virziena bultīņas, kas norādīta uz korpusa. Ja tās ir vērstas pretējos virzienos, vēlreiz uzstādiat zāga ķēdi uz vadotnes slīdes tā, lai bultīņas būtu vērstas vienā virzienā (E2 att.).

7. Uzlieciet atpakaļ sānu pārsegu uz ķēdes zāga korpusa un pievelciet līdz galam abus fiksācijas uzgriežņus.
8. Pagrieziet ķēdi ar roku, lai pārbaudītu, vai ķēde ir pareizi salikta bez piestiprināšanas. Ja tas tā nav, vēlreiz samontējiet ķēdi un sliedi.

PIEZĪME! Lai paildinātu vadotnes slīdes kalpošanas laiku, ik pa laikam apgrieziet sliedi otrādi.

ĶĒDES SPRIEJOJUMA REGULĒŠANA

- Pirms ķēdes spriegojuma regulēšanas apturiet zāga motoru un izņemiet akumulatora bloku. Lai noregulētu ķēdes spriegojumu (F att.), pagrieziet ķēdes spriegošanas skrūvi pulksteņrādītāja virzienā vai pretēji pulksteņrādītāja virzienam, līdz ķēde ir stingri nostiepta uz vadotnes slīdes un piedziņas posmi atrodas vadotnes slīdes rievā.
- Auksta ķēde ir pareizi nospriegota tad, ja tā nenokarājas vadotnes slīdes apakšpusē un cieši piegul, taču to var kustināt ar roku bez saķeršanās. Ķēde jāpārsprīgo ik reizi, kad piedziņas locekļu plakanās virsmas neiegul slīdes rievā.

- Parasti zāga darbības laikā ķēdes temperatūra palielinās. Pareizi nospriegotas uzsilušas ķēdes piedziņas locekļi karāsies aptuveni 1,3 mm ārpus slīdes rievās (G att.).

PIEZĪME! Jaunām ķēdēm ir tendence stiepties, tādēļ bieži pārbaudiet to spriegojumu un, ja nepieciešams, atkārtoti nospriegojiet.

PIEZĪME! Ķēde, kura tika nospriegota, kamēr tā bija silta, pēc atdzišanas var būt pārāk cieši savilkta. Pirms nākamās lietošanas reizes pārbaudiet aukstās ķēdes spriegojumu.

EKSPLUATĀCIJA

⚠ BRĪDINĀJUMS! Saglabājiet modrību visu griezējinstrumenta lietošanas laiku. Neaizmirstiet, ka pat mirklis neuzmanības var izraisīt nopietnu traumu.

⚠ BRĪDINĀJUMS! Nelietojiet pierīces vai piederumus, ko nav ieteicis šī izstrādājuma ražotājs. Šādu neapstiprinātu palīgierīču vai piederumu lietošana var radīt nopietnus ievainojumus.

⚠ BRĪDINĀJUMS! Lai novērstu nejaunu ieslēgšanos, kas var radīt smagas traumas, saliekot instrumentu, kā arī veicot regulēšanas, tīrīšanas darbus vai, kad to nelietojat, vienmēr izņemiet no tā akumulatoru bloku.

Pirms katras lietošanas pārbaudiet visu ierīci, vai tā nav bojāta, vai tai nav trūkstošu vai atskrūvējušos daļļu, piemēram, skrūves, uzgriežņi, bultskrūves, vāciņi utt. Stingri pievelciet visus stiprinājumus un vāciņus un nedarbiniet šo ierīci, līdz visas trūkstošās vai bojātās daļas nav nomainītas.

PIELIETOJUMS

Šo zāģi varat izmantot parastām koku gāšanas, atzarošanas, zaru apzāģēšanas, kā arī blūķu un koku sažāģēšanas darbībām.

PIEZĪME! Ierīci drīkst izmantot tikai aprakstītajam mērķim. Izmantošana jebkādā citā veidā ir uzskatāma par neatbilstošu.

SLĪDES UN ĶĒDES SMĒRVIELAS UZPILDĪŠANA

⚠ BRĪDINĀJUMS! Nesmēķējiet, kā arī nenovietojiet uguni vai atklātu liesmu eļļas vai ķēdes zāģa tuvumā. Eļļa var izšļakstīties un izraisīt ugunsgrēku.

PIEZĪME! Iegādes brīdī ķēdes zāģi nav iepildīta eļļa. Pirms lietošanas tvertnē noteikti ir jāiepilda eļļa. Darbības laikā ķēde tiek automātiski ieeļļota ar ķēdes eļļu.

LV

1. Novietojiet ķēdes zāģi uz sāniem tā, lai tvertnes vāciņš būtu vērsts uz augšu.
2. Lai eļļas tvertnē neiekristu netīrumi, notīriet eļļas tvertnes vāciņu un vietu ap to.
3. Paceliet pusapaļa plāksni taisni uz augšu un pagrieziet eļļas tvertnes vāciņu pretēji pulksteņrādītāja kustības virzienam, lai to noņemtu (H att.).
4. Uzmaniģi iepildiet slīdes un ķēdes eļļu tvertnē. Aizpildiet līdz aizpildīšanas kakliņa apakšējai daļai.
5. Noslaukiet visu notecējušo eļļu un uzlieciet atpakaļ vāciņu.

PIEZĪME! Regulāri pārbaudiet eļļas līmeni un piepildiet, kad eļļas līmenis nokrītas zem minimālās atzīmes līnijas. Nekad nedarbiniet ķēdes zāģi, ja nav redzama eļļa.

AKUMULATORU BLOKA IEVIETOŠANA/IZŅEMŠANA

PIEZĪME! Degvielas rādītāja aplis LCD ekrānā norāda akumulatora uzlādes līmeni (A1. attēls). Aplis mirgo, kad akumulatora uzlādes līmenis ir tuvu beigām. Pirms pirmās lietošanas reizes uzlādējiet akumulatoru bloku pilnībā.

Izmantojiet kopā tikai ar A2 attēlā norādītajiem EGO akumulatoru blokiem un lādētājiem.

Pirms pirmās lietošanas reizes akumulators ir pilnībā jāuzlādē.

Ievietošana

Salāgojiet akumulatora izciņģus ar stiprinājuma rievām un iespiediet akumulatoru bloku, līdz ir dzirdama „klikšķa” skaņa (I att.).

Izņemšana

Nospiediet akumulatora atbrīvošanas pogu un izņemiet akumulatoru bloku (J att.).

ĶĒDES ZĀĢA IESLĒGŠANA/IZSLĒGŠANA

PIEZĪME! Pirms ķēdes zāģa ieslēgšanas pārbaudiet eļļas līmeni, zāģa zobu asumu un atsitiena bremzes lāpstiņu darbību. Tāpat ievērojiet pareizu stāju un ieturiet atbilstošu attālumu no zemes.

Iedarbināšana (K att.)

1. Pavelciet ķēdes atsitiena bremzes lāpstiņu uz priekšējā roktura pusi līdz darba pozīcijai (K att.).
2. Vienmēr satveriet priekšējo rokturi ar kreiso roku un aizmugurējo rokturi ar labo roku.

⚠ BRĪDINĀJUMS! Lai izvairītos no traumām, vienmēr turiet ķēdes zāģi ar labo roku, satverot aiz aizmugurējā roktura satvēriena daļas (L att.).

3. Ar labās rokas īkšķi turiet nospiestu bloķēšanas pogu un pēc tam ar labās rokas pirkstiem saspiediet sprūda slēdzi, lai iedarbinātu zāģi (L att.).

L-1	Satvēriena daļa
-----	-----------------

4. Atbrīvojiet atbloķēšanas pogu un turpiniet spiest sprūda slēdzi, lai instruments darbotos nepārtraukti.
5. Jo vairāk tiek nospiests sprūda slēdzis, jo lielāks ir ķēdes ātrums. Pielāgojiet veicamajiem darbiem nepieciešamo ātrumu.

⚠ BRĪDINĀJUMS! Nemēģiniet iedarbināt zāģi, kamēr tā ķēde atrodas griezumā.

Apturēšana

1. Lai apturētu ķēdes zāģi, vispirms pārvietojiet to projām no griešanas zonas un pēc tam atlaidiet sprūda slēdzi.
2. Pabīdiet ķēdes atsitiena bremzes lāpstiņu uz priekšu līdz bremzēšanas stāvoklim, lai aktivizētu ķēdes bremzi (K att.).

⚠ BRĪDINĀJUMS! Vienmēr darba pārtraukumos un pēc darbu pabeigšanas izņemiet akumulatoru bloku no ierīces.

ĀTRUMA REŽĪMA MAIŅA (M)

Šai mašīnai ir trīs ātruma režīmi. Katrs ātruma režīms ierobežo ķēdes zāģa maksimālo ātrumu. Ātruma režīms mainās ar katru ķēdes ātruma režīma pogas nospiešanas reizi.

Ātruma līmenis LCD ekrānā parāda aktīvā ātruma režīmu: viena joslā norāda zemu ātrumu, divas joslas vidēju ātrumu, bet trīs joslas lielu ātrumu. Zema ātruma režīms nodrošina labāku mašīnas vadību un ilgāku darbības laiku ar vienu uzlādes reizi.

M-1	Ātruma līmenis	M-7	Slodzes strāvas līmenis
M-2	Bluetooth ikona	M-8	Priekšējās spuldzes/Bluetooth poga
M-3	Priekšējās spuldzes ikona	M-9	Eļļas padeves poga
M-4	Bremzes ikona	M-10	Ķēdes ātruma pārslēdzējs
M-5	Augstas temperatūras indikators	M-11	Eļļas izplūdes līmenis

M-6	Degvielas mēritāja aplis	M-12	Zema eļļas līmeņa indikators
-----	--------------------------	------	------------------------------

PIEZĪME! Akumulatoru bloka EGO, kura nominālā jauda ir 4,0 Ah vai mazāka, izmantošanas laikā ir pieejams tikai ECO režīms. Savukārt, izmantojot akumulatoru bloku EGO, kura nominālā jauda ir zemāka par 6,0 Ah, nebūs iespējams sasniegt lielu ātrumu. Lai ierīce darbotos ar vislabāko veiktspēju, iesakām izmantot akumulatoru blokus EGO, kuru jauda ir 6,0 Ah (piemēram, BA3360T modeli) vai vairāk.

PIEZĪME! Kēdes zāģim ir kēdes ātruma atmiņas funkcija. Nākamreiz ieslēdzot kēdes zāģi, tiks aktivizēts iepriekš izmantotais ātruma režīms.

PIEZĪME! LCD ekrānā iedegas apgaismojums pēc sprūda slēdža atvilkšanas vai eļļas padeves pogas vai priekšējo lukturu/Bluetooth pogas nospiešanas. Pēc noklusējuma LCD ekrāns automātiski izslēdzas pēc aptuveni 1 sekundes neaktivitātes.

PIEZĪME! Nospiežot kēdes ātruma pārslēdzēju, LCD ekrāns netiek ieslēgts.

SLODZES LĪMENIS (M attēls)

Slodzes līmenis LCD ekrānā labajā pusē rāda mašīnas pašreizējo slodzi. Lielāks joslu skaits norāda uz lielāku slodzi, bet mazāks joslu skaits norāda uz mazāku slodzi.

Šī funkcija galvenokārt ir paredzēta pieredzējušiem ar gāzi darbināmu kēdes zāģu lietotājiem, kuri, iespējams, „neizjūt”, kā akumulatora zāģis darbojas pie dažādām slodzēm. Tas palīdz lietotājiem uzraudzīt darba slodzi, lai izvairītos no ilgstošas darbības ar lielu slodzi, kas var izraisīt kēdes zāģa apstāšanos darbības laikā, jo tas pārāk sakarst.

AUGSTAS TEMPERATŪRAS INDIKATORS (M att.)

Augstas temperatūras indikators iedegas, ja mašīnas temperatūra pārsniedz 90°C (194°F) vai akumulatora temperatūra pārsniedz 70°C (158°F) darbības laikā. Temperatūras aizsardzības ķēde nekavējoties izslēdz mašīnu, lai novērstu pārkaršanas radītos bojājumus. Atlaidiet sprūda slēdzi un pagaidiet, līdz pārkarusi mašīna vai akumulators atdziest un izslēdzas augstas temperatūras indikators, pēc tam atkārtoti iedarbiniet mašīnu.

BREMZES IKONA (M att.)

Bremzes ikona tiek parādīta LCD ekrānā, kad bremzes lāpstiņa ir nonākusi bremzes pozīcijā.

Bremzes ikona mirgo, kad visvirzienu kēdes bremzes sistēma aptur zāģi. Stikāku informāciju skatiet nākamajā nodaļā.

VISVIRZIENU KĒDES BREMZES SISTĒMA (N1 un N2 att.)

Visvirzienu kēdes bremzes sistēma nav paredzēta standarta/parastās kēdes bremzes aizvietošanai. Kēdes zāģa darbības laikā lietotājs nekad nedrīkst paļauties uz šo funkciju, lai nodrošinātu aizsardzību pret atsitienu. Vienmēr ievērojiet drošības norādījumus par atsitienu novēršanu, kas pieejami šīs rokasgrāmatas brīdinājumu sadaļā.

Ja ir aktivizējies visvirzienu kēdes bremzes sistēma, kas ir apturējusi zāģi, LCD ekrānā mirgo bremzes ikona (M attēls). Atlaidiet sprūda slēdzi, izņemiet zāģa ķēdi un vadotnes sliedi no kokmateriāla, un pēc tam no jauna iedarbiniet zāģi.

PIEZĪME! Sensori nosaka tikai pēkšņu zāģa kustību vadotnes sliedes plaknē (N1 attēls). Sensori nenosaka pēkšņu zāģa kustību uz sāniem (N2 attēls) (t.i., perpendikulāri vadotnes sliedes plaknei).

EĻĻAS IZPLŪDES LĪMEŅA UN ZEMA EĻĻAS LĪMEŅA INDIKATORS (M att.)

Mašīna automātiski ieelļo ķēdi. Šis kēdes zāģis ļauj mainīt eļļas padeves ātrumu ar katru eļļas padeves pogas nospiešanu.

PIEZĪME! Eļļas padeves ātrumu var mainīt tikai tad, ja zāģa ķēde negriežas.

Eļļas izplūdes līmenis LCD ekrānā parādīs eļļas izplūdes ātrumu. Viena josla — zems izplūdes ātrums, divas joslas — vidējs izplūdes ātrums un trīs joslas — augsts izplūdes ātrums.

Lai kēdes ātrums būtu lielāks, izvēlieties lielāku izplūdes ātrumu. Ja zāģa ķēde darba laikā kļūst sausa, apstādiniet motoru un izvēlieties lielāku eļļas padeves ātrumu.

Ja eļļas līmenis ir zems, LCD ekrānā virs eļļas izvadnes joslām parādīsies zema eļļas līmeņa indikators un būs pieejams tikai zems izplūdes ātrums. Apstādiniet kēdes zāģi un uzpildiet eļļas tvertni, ievērojot nodaļā **EĻĻAS TVERTNES UZPILDĪŠANA AR SLIEDES UN KĒDES SMĒRVIELU** sniegto informāciju.

Pēc eļļas tvertnes uzpildīšanas palaidiet kēdes zāģi aptuveni 10 sekundes, lai automātiskā eļļošanas sistēma sāktu darboties, un indikators pazudīs no LCD ekrāna.

PIEZĪME! Ja pēc iepriekš minēto darbību veikšanas LCD ekrānā joprojām ir indikators, sistēma var būt bojāta. Pārtrauciet kēdes zāģa lietošanu un sazinieties ar EGO pilnvaroto servisa centru, lai veiktu remontu.

LED PRIEKŠĒJĀ SPULDZE (O att.)

LED priekšējā spuldze atrodas kēdes zāģa korpusa

priekšpusē. Priekšējā spuldze nodrošina apgaismojumu, kas uzlabo redzamību, un tam ir 2 spilgtuma līmeņi.

Lai ieslēgtu priekšējo spuldzi, nospiediet vienu reizi priekšējās spuldzes/Bluetooth pogu (M att.). Priekšējā spuldze iedegsies, ja spilgtuma līmenis būs zems, un LCD ekrānā parādīsies zema spilgtuma līmeņa priekšējās spuldzes ikona. Vēlreiz nospiediet priekšējās spuldzes/Bluetooth pogu, lai ieslēgtu augstu spilgtuma līmeni; LCD ekrānā parādīsies augsta spilgtuma līmeņa priekšējās spuldzes ikona.

Lai izslēgtu priekšējo spuldzi, nospiediet priekšējās spuldzes/Bluetooth pogu trešo reizi, un LCD ekrānā vairs nebūs redzama priekšējās spuldzes ikona.

0-1	Zema spilgtuma līmeņa priekšējās spuldzes ikona	0-3	LED priekšējās spuldzes
0-2	Augsta spilgtuma līmeņa priekšējās spuldzes ikona		

KOMUNIKĀCIJAS TEHNOLOĢIJA

Lai iegūtu informāciju vai saņemtu mūsu savienojamo izstrādājumu un pakalpojumu pilnu klāstu, tostarp savienojuma izveides instrukcijas, lūdzam noskenēt tālāk norādīto QR kodu vai apmeklēt tīmekļa vietni www.egopowerplus.eu/connect.



LV

PAREIZS ROKTURU SATVĒRIENS (att. P1)

- Lai nodrošinātu maksimālu satvērienu un aizsardzību, valkājiet neslīdošus cimdus.
- Zāģim atrodies uz stabilas, līdzenas virsmas, stingri satveriet to ar abām rokām.
- Vienmēr satveriet priekšējo rokturi ar kreiso roku un aizmugurējo rokturi ar labo roku.
- Pirkstiem jāaptver rokturis tā, lai iekšķis atrastos zem priekšējā roktura.

⚠ BRĪDINĀJUMS! Nekad neturiet zāģi satvērienā, kur vadošā ir kreisā roka (apgrieztais satvēriens), kā arī nestāviet tā, lai kāda jūsu ķermeņa daļa vai roka varētu atrasties virs ķēdes līnijas.

⚠ BRĪDINĀJUMS! Nespiediet sprūda slēdzi ar kreiso

220

56 V LITĪJA-JONU BEZVADU ĶĒDES MOTORZĀĢIS — CSX5000

roku un turiet priekšējo rokturi ar labo roku. Darbojoties ar ķēdes zāģi, nekad neļaujiet nevienai ķermeņa daļai atrasties ķēdes līnijā (P2 att.).

PAREIZA STĀJA ZĀĢĒŠANAS LAIKĀ (att. Q)

- Abām kājām jāatrodas stabili uz zemes, svaram esot vienlīdzīgi izdalītam starp tām.
- Kreisajai rokai jābūt taisnai, elkonim nofiksētam. Tas palīdz izturēt atsitienu radītās ietekmes spēku.
- Jūsu ķermenim vienmēr jāatrodas ķēdes līnijas kreisajā pusē.

NORĀDĪJUMI ATTIECĪBĀ UZ PAREIZĀM KOKU GĀŠANAS, ATZAROŠANAS, ZARU APZĀĢĒŠANAS UN PĀRZĀĢĒŠANAS TEHNIKĀM

⚠ BRĪDINĀJUMS! Kad dzinējs darbojas, vienmēr pārliecinieties, ka stāvat pareizi un stingri turat zāģi ar abām rokām.

⚠ BRĪDINĀJUMS! Kad zāģēšanas laikā zāģa ķēde tiek apturēta saspiešanas dēļ, atlaidiet sprūda slēdzi, noņemiet zāģa ķēdi un vadotnes slēdi no koka un pēc tam no jauna ieslēdziet zāģi.

⚠ BRĪDINĀJUMS! Neraujiet zāģa ķēdi ar rokām, kad tajā ir iekārušās zāģskaidas. Varat gūt nopietnus ievainojumus, ja ķēde sāk nejauši darboties. Piespiediet zāģa ķēdi pret koku, kustiniet ķēdes zāģi uz priekšu un aizmuguri, lai atbrīvotos no gružiem. Vienmēr pirms tīrīšanas izņemiet akumulatoru. Darbojoties ar zāģa ķēdi, valkājiet augstākās aizsardzības pakāpes cimdus.

⚠ BRĪDINĀJUMS! Nekad nedarbiniet ķēdes zāģi, ja tas ir saskarē ar koku. Pirms pietuviniet zāģi kokam ļaujiet tam sasniegt pilnu ātrumu.

KOKA GĀŠANA

- Kad sagarumošanas un koka gāšanas darbus vienlaicīgi veic divi vai vairāki cilvēki, koka gāšanas darbi un sagarumošanas darbi jāveic divās dažādās vietās, kas viena no otras atrodas tādā attālumā, kas vienlīdzīgs divkāršam gāžamā koka garumam. Kokus nedrīkst gāzt veidā, kas apdraud citus cilvēkus, var pārraut elektropārvades līniju vai radīt īpašuma bojājumus. Ja tomēr koks saskaras elektropārvades līniju, nekavējoties par to jāpaziņo atbildīgajiem dienestiem.
- Ķēdes zāģa operatoram jāstāv kalnup vērstajā koka pusē, jo koks pēc nogāšanas visticamāk rīpos vai slīdēs lejup pa kalnu.

- Pirms zāģēšanas jāizplāno un jāattīra bēgšanas ceļš. Atkāpšanās ceļam ir jāsniedzas atpakaļ un pa diagonāli no sagaidāmās koka krišanas līnijas aizmugures, kā parādīts R attēlā.

R-1	Gāšanas virziens
R-2	Drošības atkāpšanās ceļš

- Pirms koka gāšanas darbu uzsākšanas ņemiet vērā dabisko koka liekšanās virzienu, lielāko zaru novietojumu un vēja virzienu, lai noteiktu koka krišanas virzienu.
- Notīriet no koka nefūrumus, noņemiet nokarājošos mizu, naglas, skavas un stieples.

Robojošs aizgāģējums

Iezāģējiet robu perpendikulāri koka krišanas virzienam līdz 1/3 no koka diametra, kā tas parādīts S attēlā. Vispirms veiciet apakšējo horizontālo robojošo iezāģējumu. Tas palīdzēs novērst zāģa ķēdes vai vadotnes slīdes iespīesānu otrā roba iezāģēšanas laikā.

S-1	Krišanas virziens	S-3	Gāšanas iezāģējums pretējā koka pusē
S-2	Iedobums	S-4	Enģe

Gāšanas iezāģējums pretējā koka pusē

- Veiciet gāšanas iezāģējumu pretējā koka pusē vismaz 50 mm virs horizontālā robojošā iezāģējuma, kā parādīts S attēlā. Gāšanas iezāģējumu pretējā koka pusē saglabājiet paralēlu horizontālajam robojošajam iezāģējumam. Gāšanas iezāģējumu pretējā koka pusē veiciet tik dziļi, lai atlikušais koka daudzums varētu tikt izmantots kā enģe. Koka enģe novērs koka sagriešanas un krišanu nepareizajā virzienā. Neizzāģējiet cauri enģei.
- Tiklīdz gāšanas darbības tiek veiktas tuvu pie enģes, kokam būtu jāsāk krist. Ja pastāv kaut mazākā iespēja, ka koks varētu nekrist paredzētajā virzienā vai tas varētu sašūpoties uz aizmuguri un iespiest zāģa ķēdi, pārtrauciet zāģēšanu pirms gāšanas iezāģējums otrā koka pusē ir pabeigts un izmantojiet koka, plastmasa vai alumīnija ķīli, lai atvērtu iezāģējumu un nogāztu koku vēlamajā krišanas virzienā.
- Kad koks sāk krist, izņemiet ķēdes zāģi no iezāģētās līnijas, apturiet motoru, nolieciet zāģi uz zemes un izmantojiet noteikto atkāpšanās plānu. Uzmanieties no krītošajiem zariem un skatieties, kur liekat kājas.

Koka atzarošana

Atzarošana ir zaru nozāģēšana nokritušam kokam. Veicot atzarošanu, atstājiet lielākos apakšējos zarus, lai tie noturētu koku virs zemes. Nozāģējiet mazākos zarus ar vienu piegājienu, kā tas parādīts T attēlā. Saliektie zari jāzāģē no apakšas uz augšu, lai izvairītos no ķēdes zāģa iespīesānas.

Baļķa sagarināšana

Sagarināšana ir dēļa sazāģēšana garumos. Pirms sagarināšanas darbu veikšanas, svarīgi ir pārliecināties, ka stāvat stabili un jūsu svars ir vienlīdzīgi izdalīts uz abām kājām. Kad iespējams, blūķis jāpaceļ uz augšu un jāatbalsāta, izmantojot zarus, dēļus vai klucus. Ievērojiet vienkāršos virzienus vieglai zāģēšanai.

Ja blūķis tiek atbalstīts visā tā garumā, kā tas parādīts U1 attēlā, tas jāzāģē no augšpusē (augšējā garumošana).

Ja tiek atbalstīts tikai viens blūķa gals, kā tas parādīts U2 attēlā, no apakšpusē veiciet iegriezumu līdz 1/3 no diametra (apakšējā garumošana). Pēc tam pabeidziet griezumumu, veicot augšējās garumošana kustību līdz pirmajam iezāģējumam.

Ja tiek balstīti abi blūķa gali, kā parādīts U3 attēlā, no augšpusē veiciet griezumumu līdz 1/3 no diametra (augšējā garumošana). Pēc tam pabeidziet griezumumu, veicot apakšējo garumošanu atlikušajās 2/3 līdz pirmajai griezumuma vietai.

Veicot garumošanu slīpumā, vienmēr stāviet tajā blūķa pusē, kas atrodas kalnup, kā tas parādīts V attēlā.

Zāģējot cauri, lai saglabātu pilnīgu kontroli, īsi pirms zāģēšanas darbības pabeigšanas samaziniet zāģēšanas spiedienu, neatslabinot ķēdes zāģa rokturu satvērienu. Neļaujiet ķēdei saskarties ar zemi. Kad pabeidzat zāģēšanu, pagaidiet, lai ķēde apstājas, pirms pārvietojat zāģi citur. Pārejot no viena koka uz citu, vienmēr apturiet motoru.

LV

APKOPE

⚠ BRĪDINĀJUMS! Veicot ierīces apkopi, izmantojiet tikai identiskas rezerves daļas. Jebkuru citu daļu izmantošana var radīt apdraudējumu vai instrumenta bojājumus. Lai garantētu drošu un uzticamu instrumenta darbību, visi remontdarbi jāveic kvalificētam servisa speciālistam.

⚠ BRĪDINĀJUMS! Lai novērstu nopietnu traumu gūšanas risku, pirms ķēdes zāģa pārbaudīšanas, tīrīšanas vai apkopes darbu veikšanas izņemiet akumulatoru bloku. Ar akumulatoru darbināms instruments, kurā ir ievietots akumulatoru bloks, vienmēr ir ieslēgts un var nejaūsi sākt darboties.

⚠ BRĪDINĀJUMS! Tīrot ķēdes zāģi, NEIEMĒRCIET to ūdenī vai kādā citā šķidrumā.

⚠ BRĪDINĀJUMS! Nekad neļaujiet bremžu šķidrumiem, degvielai, uz naftu bāzētiem izstrādājumiem, iestrādes eļļām u.tml. nonākt saskarē ar plastmasa daļām. Ķīmikālijas var sabojāt, pavājināt vai iznīcināt plastmasu, kā rezultātā varat gūt nopietnus ievainojumus.

TĪRĪŠANA

- Pēc katras lietošanas reizes ar mīkstu suku iztīriet no ķēdes un vadslīdes grūzus. Noslaukiet ķēdes zāģa virsmu ar tīru drānu, kas samitrināta ar maigu ziepju šķīdumu.
- Noņemiet sānu pārsegu un pēc tam ar mīkstu suku notīriet grūzus no vadotnes slīdes, zāģa ķēdes, ķēzrāta un sānu pārsega.
- Aptuveni ik pēc 8 darba stundām noņemiet apakšējo vāku un pēc tam ar mīkstu birstīti notīriet netīrumus mašīnas iekšpusē un uz vāka (W attēls).
- Vienmēr, kad maināt augstgriezļa ķēdi, iztīriet koka skaidas, zāģskaidas un netīrumus no vadslīdes rievas.

VADSLĪDES APKOPE

Kad vadotnes slīdei rodas nodiluma pazīmes, demontējiet to no ķēdes zāģa instrumentgalvas, apgrieziet otrādi un uzlieciet atpakaj (X1 att.). Šādā veidā nodilums tiks sadalīts, lai maksimāli palielinātu vadotnes slīdes kalpošanas laiku.

Katrā lietošanas dienā slīde jānotīra un jāpārbauda, vai nav redzamas nodiluma pazīmes un bojājumi (X2 att.). Slīdes līniju atstarpošanās un atskabargu veidošanās ir normāls slīdes nodilšanas process. Šādas nepilnības jānolīdzina ar vīli tiklīdz tās tiek konstatētas. Slīdi, kurai ir kāds no šiem bojājumiem, jānomaina:

- nodilums slīdes līnijās, kuras ļauj uzlikt ķēdi sāniski;
- saliekta vadslīde;
- ieplaisājušas vai saplīsušas slīdes līnijas;
- izpletušas slīdes līnijas.

Turklāt vadotnes slīdes galā ir ķēzrats (X3 attēls).

Šis ķēzrats katru nedēļu jāieeļļo ar eļļas šļirci, lai pagarinātu vadotnes slīdes kalpošanas ilgumu. Izmantojot eļļas šļirci, iknedēļu veiciet ieeļļošanu ar ķēdes eļļu caur eļļošanas atveri (W4 att.). Pagrieziet vadotnes slīdi un pārļiecinieties, vai eļļošanas atverēs un ķēdes rievā nav grūžu.

X-1	Slīdes līnijas	X-3	Eļļošanas atvere
X-2	Ķēzrats vadotnes slīdes galā		

PIEZĪME! Lai iegūtu vislabākos rezultātus, izmantojiet EGO apstiprinātās smērvielas.

TRANSPORTĒŠANA UN UZGLABĀŠANA

Neuzglabājiet vai netransportējiet ķēdes zāģi, kamēr tas darbojas. Vienmēr pirms novietošanas glabāšanā vai transportēšanas izņemiet akumulatoru.

Vienmēr pirms ķēdes zāģa novietošanas glabāšanā vai transportēšanas uzlieciet vadotnes slīdei un ķēdei vadotnes slīdes pārsegu. Rīkojieties uzmanīgi, lai izvairītos no asajiem ķēdes zobiem.

Pirms uzglabāšanas rūpīgi notīriet ķēdes zāģi. Uzglabājiet ķēdes zāģi iekštelpās, sausā un aizslēgtā vai bērniem nepieejamā vietā.

Sargājiet no kodīgām vielām, piemēram, dārzā lietojamajām ķīmikālijām un atledošanas sāls.

APKĀRTĒJĀS VIDES AIZSARDZĪBA



Neutilizējiet elektrisko aprīkojumu, izlietoto akumulatoru un lādētāju sadzīves atkritumos!

Nogādājiet šo produktu uz pilnvarotu pārstrādes punktu un sagatavojiet atkritumu šķirošanai. Elektriskos instrumentus jānogādā videi nekaitīgā pārstrādes rūpnīcā.

PROBLĒMU MEKLĒŠANA UN NOVĒRŠANA

⚠ BRĪDINĀJUMS! Vienmēr aizsargājiet savas rokas, valkājot biezus cimdus zāģa ķēdes apkopes darbu veikšanas laikā. Vienmēr pirms ķēdes zāģa apkopes darbu veikšanas vai transportēšanas izņemiet akumulatoru.

PROBLĒMA	CĒĻONIS	RISINĀJUMS
Nedarbojas motors.	<ul style="list-style-type: none"> ■ Ķēdes zāģī nav ievietots akumulators. ■ Starp zāģi un akumulatoru bloku nav elektriskā savienojuma. ■ Ja degvielas rādītāja aplis LCD ekrānā mirgo, akumulatoru bloks ir izlādējies. ■ Ja LCD ekrānā parādās augstas temperatūras indikators, akumulatoru bloks vai ķēdes zāģis ir pārāk karsts. ■ Ja LCD ekrānā parādās ķēdes bremzes ikona, ķēdes bremze ir ieslēgta. ■ Gruži slīdes rievā. ■ Gruži sānu pārsegā. 	<ul style="list-style-type: none"> ■ Ievietojiet ķēdes zāģī akumulatoru. ■ Izņemiet akumulatoru bloku, pārbaudiet kontaktus un ievietojiet atpakaļ. ■ Uzlādējiet akumulatoru bloku. ■ Ļaujiet akumulatoram vai ķēdes zāģim atdzist līdz temperatūra nokrītas zemāk par 67°C. ■ Atvelciet ķēdes atsienā bremzes lāpstiņu priekšējā roktura virzienā darba stāvoklī. ■ Piespiediet zāģa ķēdi pret koku, kustiniet ķēdes zāģi uz priekšu un aizmuguri, lai atbrīvotos no gružiem. ■ Izņemiet akumulatoru, pēc tam noņemiet sānu pārsegu un iztīriet gružus.
Ātruma režīmu nevar mainīt.	<ul style="list-style-type: none"> ■ Ķēdes ātruma pārslēdzējā iestrēguši gruži. 	<ul style="list-style-type: none"> ■ Iztīriet netīrumus, kas sakrājušies ap ķēdes ātruma pārslēdzēju.
Ķēdes zāģis darbības laikā negaidīti pārtrauc darboties.	<ul style="list-style-type: none"> ■ Ķēdes zāģa pārslodze. ■ Ja LCD ekrānā parādās augstas temperatūras indikators, akumulatoru bloks vai ķēdes zāģis ir pārāk karsts. ■ Kokā iestrēgusi zāģa ķēde. ■ Ja LCD ekrānā mirgo ķēdes bremzes ikona, zāģi apturējusi visvirzienu ķēdes bremzes sistēma. 	<ul style="list-style-type: none"> ■ Samaziniet slodzi. ■ Ļaujiet akumulatoram vai ķēdes zāģim atdzist līdz temperatūra nokrītas zemāk par 67°C. ■ Atlaidiet sprūda slēdzi, noņemiet zāģa ķēdi un vadotnes joslu no koka un pēc tam no jauna ieslēdziet zāģi. ■ Atlaidiet sprūda slēdzi, noņemiet zāģa ķēdi un vadotnes joslu no koka un pēc tam no jauna ieslēdziet zāģi.
Motors darbojas, bet ķēde negriežas.	<ul style="list-style-type: none"> ■ Ķēde neiedarbina piedziņas ķēzratu. 	<ul style="list-style-type: none"> ■ Uzstādiet atpakaļ ķēdi, pārļiecinoties, ka ķēdes piedziņas posmi pilnībā atrodas uz ķēzrata.

PROBLĒMA	CĒĻONIS	RISINĀJUMS
Nedarbojas ķēdes bremze.	<ul style="list-style-type: none"> ■ Gruži kavē pilnīgu ķēdes atsietna bremzes lāpstīgas kustību. ■ Iespējami ķēdes bremzes darbības traucējumi. 	<ul style="list-style-type: none"> ■ Iztīriet gruzus no ārējā ķēdes bremzes mehānisma. ■ Ja nepieciešams veikt labošanas darbus, sazinieties ar EGO klientu apkalpošanas nodaļu.
Ķēdes zāģis nezāģē pareizi.	<ul style="list-style-type: none"> ■ Nepietiekams ķēdes spriegums. ■ Trula ķēde. ■ Ķēde uzstādīta uz otru pusi. ■ Nodilusi ķēde. ■ Sausa vai pārāk izstiepta ķēde. ■ Ķēde neatrodas sliedes rievā. 	<ul style="list-style-type: none"> ■ Atkārtoti noregulējiet ķēdes spriegojumu, kā aprakstīts nodaļā: „ĶĒDES SPRIEĢOJUMA REGULĒŠANA”. ■ Uzasiniet ķēdi. ■ Uzstādiet zāģa ķēdi, ievērojot nodaļā „SLIEDES UN ĶĒDES UZSTĀDĪŠANA/ NOMAIŅA” sniegtās norādes. ■ Nomainiet ķēdi, kā aprakstīts nodaļā: „SLIEDES UN ĶĒDES UZSTĀDĪŠANA/ NOMAIŅA”. ■ Pārbaudiet eļļas līmeni. Uzpildiet eļļas tvertni un, ja nepieciešams, izvēlieties lielāku eļļas pudeles apjomu. ■ Uzstādiet atpakal zāģa ķēdi, kā aprakstīts nodaļā: „SLIEDES UN ĶĒDES UZSTĀDĪŠANA/NOMAIŅA”.
Normālas lietošanas laikā ķēde kļūst vajīga vai nokrīt no vadotnes sliedes.	<ul style="list-style-type: none"> ■ Ķēde kļūst vajīga, palielinoties ķēdes temperatūrai parastas zāģa darbības laikā. ■ Ķēde neiedarbina piedziņas ķēzratu. 	<ul style="list-style-type: none"> ■ Noregulējiet ķēdes spriegojumu, ievērojot sadaļā „ĶĒDES SPRIEĢOJUMA REGULĒŠANA” sniegtās norādes. ■ Uzstādiet atpakal zāģa ķēdi, kā aprakstīts nodaļā: „SLIEDES UN ĶĒDES UZSTĀDĪŠANA/NOMAIŅA”.
Sliede un ķēde ir karstas un dūmo.	<ul style="list-style-type: none"> ■ Ja LCD ekrānā parādās zema eļļas līmeņa indikators, ķēdes eļļas tvertne ir tukša. ■ Gruži vadotnes sliedes rievā. 	<ul style="list-style-type: none"> ■ Pārbaudiet eļļas līmeni. Ja nepieciešams, uzpildiet tvertnē eļļu. ■ Iztīriet gruzus no rievās.
LCD ekrānā parādās zemas eļļas indikators, lai gan eļļas tvertnē ir pietiekami daudz eļļas. Vai arī, ja eļļas tvertnē trūkst eļļas, LCD ekrānā neparādās zemas eļļas indikators.	<ul style="list-style-type: none"> ■ Eļļas līmeņa noteikšanas komponents vēl nav noteicis reālo eļļas līmeni eļļas caurulē esošās eļļas vai gaisa dēļ. ■ Eļļas līmeņa noteikšanas komponenta kļūme. 	<ul style="list-style-type: none"> ■ Pagaidiet dažas minūtes, kamēr no eļļas caurules iztek eļļa vai izplūst gaiss.

LV

GARANTĪJA

EGO GARANTĪJAS POLITIKA

Lūdzam apmeklēt tīmekļa vietni egopowerplus.eu, kur pieejama pilna EGO garantijas politikas noteikumu un nosacījumu versija.

ΔΙΑΒΑΣΤΕ ΟΛΕΣ ΤΙΣ ΟΔΗΓΙΕΣ!



ΔΙΑΒΑΣΤΕ ΤΟ ΕΓΧΕΙΡΙΔΙΟ ΧΡΗΣΗΣ

⚠️ ΠΡΟΕΙΔΟΠΟΙΗΣΗ: Προκειμένου να διασφαλιστεί η ασφάλεια και η αξιοπιστία, όλες οι επισκευές πρέπει να διενεργούνται από εξειδικευμένο τεχνικό σέρβις.

⚠️ ΠΡΟΕΙΔΟΠΟΙΗΣΗ: Βεβαιωθείτε ότι έχετε διαβάσει και κατανοήσει όλες τις οδηγίες ασφάλειας στο παρόν εγχειρίδιο χρήσης, συμπεριλαμβανομένων όλων των συμβόλων ασφάλειας, όπως «**ΚΙΝΔΥΝΟΣ**», «**ΠΡΟΕΙΔΟΠΟΙΗΣΗ**» και «**ΠΡΟΣΟΧΗ**», προτού χρησιμοποιήσετε αυτό το ηλεκτρικό εργαλείο. Η μη τήρηση όλων των παρακάτω οδηγιών μπορεί να οδηγήσει σε ηλεκτροπληξία, πυρκαγιά και/ή σοβαρό τραυματισμό.



Προειδοποίηση ασφαλείας



Φοράτε προστατευτικά γυαλιά



Φοράτε προστασία για το κεφάλι



Λαμβάνετε υπόψη το οπισθολάκτισμα του αλυσοπριόνου και αποφεύγετε την επαφή με την ακμή οδηγητικής μπάρας



Πληροφορίες για την οδηγητική μπάρα



Εγγυημένη στάθμη ακουστικής ισχύος. Εκπομπές θορύβου στο περιβάλλον σύμφωνα με την οδηγία της Ευρωπαϊκής Ένωσης.



Αυτό το προϊόν συμμορφώνεται με τις εφαρμοστές οδηγίες της ΕΚ.



Bluetooth®

mm Χιλιοστό

V Τάση

IPX5 Προστατευόμενο από πίδακες νερού χαμηλής πίεσης από οποιαδήποτε κατεύθυνση

ΦΥΛΑΞΤΕ ΟΛΕΣ ΤΙΣ ΠΡΟΕΙΔΟΠΟΙΗΣΕΙΣ ΚΑΙ ΤΙΣ ΟΔΗΓΙΕΣ ΓΙΑ ΜΕΛΛΟΝΤΙΚΗ ΑΝΑΦΟΡΑ.

ΣΥΜΒΟΛΑ ΑΣΦΑΛΕΙΑΣ

⚠️ ΠΡΟΕΙΔΟΠΟΙΗΣΗ: Η λειτουργία ηλεκτρικών εργαλείων μπορεί να προκαλέσει την εκτόξευση ξένων αντικειμένων στα μάτια σας, με αποτέλεσμα σοβαρό τραυματισμό. Προτού ξεκινήσετε τη χρήση του ηλεκτρικού εργαλείου, φοράτε πάντα προστατευτικά γυαλιά ή γυαλιά με πλευρική προστασία και, εφόσον απαιτείται, πλήρη προστατευτική προσωπίδα. Συνιστούμε μια προσωπίδα ασφαλείας ευρείας όρασης, για χρήση πάνω από γυαλιά ή τα συνήθη προστατευτικά γυαλιά με πλευρική προστασία.



Προκειμένου να μειωθεί ο κίνδυνος τραυματισμού, ο χρήστης πρέπει να διαβάσει και να κατανοήσει το εγχειρίδιο χρήσης προτού να χρησιμοποιήσει αυτό το προϊόν.



Φοράτε προστατευτικά ακοής



Φοράτε προστατευτικά γάντια



Οπισθολάκτισμα ακμής οδηγητικής μπάρας



Χρησιμοποιείτε το αλυσοπρίονο πάντα και με τα δύο χέρια



Τα απόβλητα ειδών ηλεκτρικού και ηλεκτρονικού εξοπλισμού δεν πρέπει να απορρίπτονται στα οικιακά απορρίμματα. Πρέπει να παραδίδονται σε εξουσιοδοτημένη μονάδα ανακύκλωσης.



Αυτό το προϊόν συμμορφώνεται με την ισχύουσα νομοθεσία του Η.Β.



Συνεχές ρεύμα

n_s Ταχύτητα χωρίς φορτίο

./min Ανά λεπτό

GR

ΣΗΜΕΙΩΣΗ: Το λεκτικό σήμα Bluetooth® και τα λογότυπα είναι σήματα κατατεθέντα που ανήκουν στην Bluetooth SIG, inc. και οποιαδήποτε χρήση αυτών των σημείων από την EGO γίνεται βάσει άδειας.

ΤΕΧΝΙΚΕΣ ΠΡΟΔΙΑΓΡΑΦΕΣ

Όνομαστική τάση	56V	
Μέγ. Ταχύτητα αλυσίδας	30 m/s	
Βήμα αλυσίδας	8,255 mm / 0,325"	
Ένδειξη αλυσίδας	1,3 mm	
Μήκος οδηγητικής μπάρας	50 cm	
Μοντέλο αλυσίδας αλυσοπριόνου	AC2035 (συνιστάται)	
	AC1635, AC1835 (Συμβατό)	
Μοντέλο αλυσίδας και οδηγητικής μπάρας αλυσοπριόνου	AK2035 (συνιστάται)	
	AK1635, AK1835 (Συμβατό)	
Χωρητικότητα ρεζερβουάρ λαδιού αλυσίδας	250 ml	
Βάρος (χωρίς συστοιχία μπαταριών, αλυσίδα, οδηγητική μπάρα, πλευρικό κάλυμμα, προστατευτικό λαδιού και αλυσίδα)	4,3 kg	
Συνιστώμενη θερμοκρασία λειτουργίας	-15°C – 40°C	
Συνιστώμενη θερμοκρασία αποθήκευσης	-20°C – 70°C	
Συνιστώμενη θερμοκρασία φόρτισης	5°C – 40°C	
Μετρούμενη στάθμη ακουστικής ισχύος L_{WA}	102 dB(A) K=2,3 dB(A)	
Στάθμη ηχητικής πίεσης στη θέση εργασίας L_{PA}	92 dB(A) K=3 dB(A)	
Εγγυημένη στάθμη ηχητικής ισχύος L_{WA} (κατά 2000/14/ΕΚ)	104 dB(A)	
Κραδασμοί a_h	Μπροστινή χειρολαβή	3,3 m/s ² K=1,5 m/s ²
	Πίσω χειρολαβή	1,74 m/s ² K=1,5 m/s ²

- Η δηλωθείσα συνολική τιμή κραδασμών έχει μετρηθεί σύμφωνα με πρότυπη μέθοδο δοκιμής και μπορεί να χρησιμοποιηθεί για τη σύγκριση ενός εργαλείου με κάποιο άλλο.
- Η αναφερόμενη συνολική τιμή κραδασμών μπορεί να χρησιμοποιηθεί, επίσης, για προκαταρκτική αξιολόγηση έκθεσης.

ΣΗΜΕΙΩΣΗ: Η μετάδοση της δόνησης κατά τη διάρκεια της πραγματικής χρήσης του ηλεκτρικού εργαλείου μπορεί να διαφέρει από τη δηλωθείσα τιμή στην οποία χρησιμοποιείται το εργαλείο. Για την προστασία του χειριστή, πρέπει να χρησιμοποιούνται γάντια και ωτοασπίδες υπό πραγματικές συνθήκες χρήσης.

ΚΑΤΑΛΟΓΟΣ ΕΞΑΡΤΗΜΑΤΩΝ ΣΥΣΚΕΥΑΣΙΑΣ (ΕΙΚ. Α1)

ΠΕΡΙΓΡΑΦΗ

ΓΝΩΡΙΣΤΕ ΤΟ ΑΛΥΣΟΠΡΙΟΝΟ ΣΑΣ (Εικ. Α1)

1. Αλυσίδα πριονιού
2. Πτερύγιο φρένου οπισθοακτίσματος αλυσίδας
3. Μπροστινή λαβή
4. Οθόνη LCD
5. Επίπεδο ταχύτητας
6. Εικονίδιο Bluetooth
7. Εικονίδιο προβολέα
8. Εικονίδιο φρένου
9. Ένδειξη υψηλής θερμοκρασίας
10. Στρογγυλός δείκτης στάθμης καυσίμου
11. Επίπεδο ρεύματος φορτίου
12. Ένδειξη χαμηλής στάθμης λαδιού
13. Κουμπί προβολέα/Bluetooth
14. Κουμπί τροφοδοσίας λαδιού
15. Επίπεδο τροφοδοσίας λαδιού
16. Κουμπί απασφάλισης
17. Διακόπτης-σκανδάλη
18. Πίσω λαβή
19. Επιλογέας ταχύτητας αλυσίδας
20. Κουμπί αποδέσμευσης μπαταριών
21. Παράθυρο ελέγχου στάθμης λαδιού
22. Καπάκι ρεζερβουάρ λαδιού
23. Οδηγητική μπάρα
24. Οπή λίπανσης
25. Μπουλόνι τάνυσης αλυσίδας
26. Πλευρικό κάλυμμα
27. Παξιμάδια κλειδώματος
28. Ακμές τεμαχισμού
29. Προβολέας LED

GR

- 30. Θήκη αλυσίδας
- 31. Πολύκλειδο

ΣΥΝΑΡΜΟΛΟΓΗΣΗ

ΣΥΝΑΡΜΟΛΟΓΗΣΗ/ΑΝΤΙΚΑΤΑΣΤΑΣΗ ΤΗΣ ΜΠΑΡΑΣ ΚΑΙ ΤΗΣ ΑΛΥΣΙΔΑΣ

▲ ΠΡΟΕΙΔΟΠΟΙΗΣΗ: Ρυθμίστε τη λαβή φρένου λακτίσματος αλυσίδας στη θέση φρένου πριν από τη συναρμολόγηση.

1. Τοποθετήστε την κεφαλή ισχύος αλυσοπρίνου στα πλάγια με το πλαϊνό κάλυμμα να βλέπει προς τα επάνω (Εικ. Β).
2. Αφαιρέστε το πλευρικό κάλυμμα περιστρέφοντας τα δύο παξιμάδια ασφάλισης αριστερόστροφα.
3. Περιστρέψτε το μπουλόνι τάνυσης αλυσίδας αριστερόστροφα για να χαλαρώσετε την τάνυση της αλυσίδας.
4. Απλώστε την αλυσίδα αλυσοπρίνου σε μια θηλιά σε μια επίπεδη επιφάνεια και ισιώστε οποιοσδήποτε διπλώσεις (Εικ. C).
5. Τοποθετήστε τους συνδέσμους οδηγού αλυσίδας μέσα στην εγκοπή οδηγητικής μπάρας και κάντε θηλιά στην αλυσίδα στο πίσω μέρος της οδηγητικής μπάρας (Εικ. D).
6. Κρατήστε την αλυσίδα στην θέση της πάνω στην οδηγητική μπάρα και τοποθετήστε τη θηλιά γύρω από τον οδοντοτροχό του πριονιού (Εικ. E1).

B-1	Παξιμάδια κλειδώματος	D-2	Εγκοπή οδηγητικής μπάρας
B-2	Μπουλόνι τάνυσης αλυσίδας	E-1	Οδοντοτροχός οδήγησης
D-1	Σύνδεσμοι οδηγού αλυσίδας		

ΣΗΜΕΙΩΣΗ: Όταν τοποθετείτε την αλυσίδα στην οδηγητική μπάρα, βεβαιώνετε ότι αφότου προσαρτήσετε την οδηγητική μπάρα στο αλυσοπρίνο, ο προσανατολισμός των οδοντώσεων αντιστοιχεί στο εικονίδιο των οδοντώσεων και η κατεύθυνση περιστροφής στην κατεύθυνση του βέλους πάνω στο περίβλημα. Εάν αυτά βλέπουν προς την αντίθετη κατεύθυνση, επανασυναρμολογήστε την αλυσίδα επάνω την οδηγητική μπάρα με τους κόφτες να κοιτάζουν στην ίδια κατεύθυνση (Εικ. E2).

7. Επανατοποθετήστε το πλευρικό κάλυμμα επάνω στο περίβλημα αλυσοπρίνου και σφίξτε καλά και τα δύο

παξιμάδια ασφάλισης.

8. Περιστρέψτε την αλυσίδα με το χέρι για να ελέγξετε εάν είναι σωστά συναρμολογημένη χωρίς να μαγκώνει. Στην αντίθετη περίπτωση, συναρμολογήστε εκ νέου την αλυσίδα και την μπάρα.

ΣΗΜΕΙΩΣΗ: Για να επιμηκύνετε τη διάρκεια ζωής της οδηγητικής μπάρας, αντιστρέψτε τακτικά την μπάρα.

ΡΥΘΜΙΣΗ ΤΗΣ ΤΑΝΥΣΗΣ ΑΛΥΣΙΔΑΣ

- Σβήστε τον κινητήρα και αφαιρέστε τη συστοιχία μπαταριών προτού να ρυθμίσετε την τάνυση αλυσίδας. Γυρίστε δεξιόστροφα ή αριστερόστροφα το μπουλόνι τάνυσης αλυσίδας για να προσαρμόσετε την τάνυση αλυσίδας (Εικ. F) μέχρι η αλυσίδα να εδράζεται καλά κόντρα στην οδηγητική μπάρα με τους συνδέσμους οδηγού στην εσοχή οδηγητικής μπάρας.
- Μια κρύα αλυσίδα τανύζεται σωστά όταν δεν υπάρχει τζόγος στην κάτω πλευρά της μπάρας οδήγησης και η αλυσίδα είναι σφιγμένη αλλά μπορεί να περιστραφεί με το χέρι χωρίς να μαγκώνει. Η αλυσίδα πρέπει να τανυστεί εκ νέου εφόσον τα επίπεδα μέρη στους συνδέσμους οδηγού δεν εδράζονται στην εσοχή μπάρας.
- Κατά την κανονική λειτουργία κοπής, η θερμοκρασία της αλυσίδας αυξάνεται. Οι σύνδεσμοι οδηγού μιας σωστά τανυσμένης ζεστής αλυσίδας θα κρέμονται περίπου 1,3 mm έξω από την εγκοπή μπάρας (Εικ. G).

ΣΗΜΕΙΩΣΗ: Οι νέες αλυσίδες τείνουν να τεντώνονται. Ελέγχετε την τάνυση αλυσίδας τακτικά και τανύζετε κατόπιν απαίτησης.

ΣΗΜΕΙΩΣΗ: Μια αλυσίδα που τανύζεται ενώ είναι ζεστή, μπορεί όταν κρυώσει να είναι πολύ σφιχτή. Ελέγξτε την ψυχρή τάνυση της αλυσίδας πριν από την επόμενη χρήση.

GR

ΛΕΙΤΟΥΡΓΙΑ

▲ ΠΡΟΕΙΔΟΠΟΙΗΣΗ: Η εξοικειώσή σας με αυτό το προϊόν δε θα πρέπει να σας κάνει λιγότερο προσεκτικούς. Θυμηθείτε πως ένα κλάσμα δευτερολέπτου απροσεξίας μπορεί να προκαλέσει σοβαρό τραυματισμό.

▲ ΠΡΟΕΙΔΟΠΟΙΗΣΗ: Μη χρησιμοποιείτε παρελκόμενα που δεν συνιστώνται από τον κατασκευαστή αυτού του προϊόντος. Η χρήση προσαρτημάτων ή παρελκόμενων που δε συνιστώνται από τον κατασκευαστή, ενέχει τον κίνδυνο σοβαρού τραυματισμού.

▲ ΠΡΟΕΙΔΟΠΟΙΗΣΗ: Για να εμποδίσετε τυχαία

εκκίνηση που θα μπορούσε να προκαλέσει σοβαρό ατομικό τραυματισμό, απομακρύνετε πάντα τη συστοιχία μπαταριών από το εργαλείο, όταν συναρμολογείτε εξαρτήματα, διεξάγετε ρυθμίσεις, καθαρισμό ή σε περίπτωση μη χρήσης.

Πριν από κάθε χρήση, ελέγχετε πλήρως το προϊόν για φθαρμένα, ελλιπή ή χαλαρά εξαρτήματα, όπως, βίδες, παξιμάδια, μπουλόνια, πώματα, κτλ. Συσφίξτε με ασφάλεια όλους τους σφικτήρες και τα πώματα και μη θέσετε σε λειτουργία το προϊόν προτού να αποκατασταθούν όλα τα ελλιπή ή φθαρμένα εξαρτήματα.

ΕΦΑΡΜΟΓΕΣ

Μπορείτε να χρησιμοποιήσετε αυτό το εργαλείο για βασικές εργασίες υλοτομίας, αποκλάδωσης, και κοπή ξύλων σε ξυλεία και δέντρα.

ΣΗΜΕΙΩΣΗ: Η μηχανή πρέπει να χρησιμοποιείται μόνο για την προβλεπόμενη χρήση. Οποιαδήποτε άλλη χρήση θα εκληφθεί ως καταχρηστική.

ΠΛΗΡΩΣΗ ΛΙΠΑΝΤΙΚΟΥ ΣΤΗ ΜΠΑΡΑ ΚΑΙ ΤΗΝ ΑΛΥΣΙΔΑ

⚠️ ΠΡΟΕΙΔΟΠΟΙΗΣΗ: Μην καπνίζετε ή επιτρέπετε να πλησιάζει φωτιά ή φλόγα κοντά σε λάδια ή στην αλυσίδα. Το λάδι μπορεί να διαρρεύσει και να προκληθεί πυρκαγιά.

ΣΗΜΕΙΩΣΗ: Το αλυσοπρίονο δεν έχει λάδι μέσα κατά την αγορά του. Είναι απαραίτητο να γεμίσετε το ρεζερβουάρ με λάδι πριν από τη χρήση. Η αλυσίδα λιπαίνεται αυτόματα με λάδι αλυσίδας κατά τη λειτουργία.

1. Τοποθετήστε το αλυσοπρίονο στο πλάι του με το καπάκι ρεζερβουάρ να κοιτάζει προς τα επάνω..
2. Καθαρίστε το καπάκι του ρεζερβουάρ λαδιού και το χώρο γύρω από αυτό, ώστε να μην πέσουν ρύποι μέσα σε αυτό.
3. Ανασηκώστε την ημικυκλική πλάκα και περιστρέψτε το καπάκι του ρεζερβουάρ λαδιού αριστερόστροφα για να το αφαιρέσετε (Εικ. Η).
4. Συμπληρώστε προσεκτικά το λάδι μπάρας και αλυσίδας στο ρεζερβουάρ. Γεμίστε μέχρι τη βάση του λαιμού πλήρωσης.
5. Σκουπίστε το υπερβάλλον λάδι και επανατοποθετήστε το καπάκι.

ΣΗΜΕΙΩΣΗ: Ελέγχετε τακτικά τη στάθμη λαδιού και συμπληρώνετε λάδι όταν η στάθμη πέφτει κάτω από τη γραμμή της μέγιστης στάθμης. Μη χρησιμοποιείτε το αλυσοπρίονο εάν το λάδι δεν φαίνεται.

ΠΡΟΣΑΡΤΗΣΗ/ΑΠΟΜΑΚΡΥΝΣΗ ΤΗΣ ΣΥΣΤΟΙΧΙΑΣ

ΜΠΑΤΑΡΙΩΝ

ΣΗΜΕΙΩΣΗ: Ο στρογγυλός δείκτης στάθμης καυσίμου στην οθόνη LCD επισημαίνει το επίπεδο φόρτισης της μπαταρίας (Εικ. Α1). Ο δείκτης αναβοσβήνει όταν η μπαταρία κοντεύει να αδειάσει. Φορτίστε πλήρως τη συστοιχία μπαταριών πριν από την πρώτη χρήση.

Χρησιμοποιείτε μόνο τις συστοιχίες μπαταριών και τους φορτιστές της EGO που αναφέρονται στην Εικ. Α2.

Φορτίστε πλήρως πριν από την πρώτη χρήση.

Προσάρτηση

Ευθυγραμμίστε τις νευρώσεις μπαταρίας με τις οπές τοποθέτησης και πιέστε τη συστοιχία μπαταριών κάτω, έως ότου να ακούσετε ένα «κλικ» (Εικ. Ι).

Αφαίρεση

Πιέστε το κουμπί αποδέσμευσης μπαταρίας και τραβήξτε έξω τη συστοιχία μπαταριών (Εικ. Ι).

ΕΝΕΡΓΟΠΟΙΗΣΗ/ΑΠΕΝΕΡΓΟΠΟΙΗΣΗ ΤΟΥ ΑΛΥΣΟΠΡΙΟΝΟΥ

ΣΗΜΕΙΩΣΗ: Προτού εκκινήσετε το αλυσοπρίονο, ελέγξτε τη στάθμη λαδιού, εάν οι οδοντώσεις αλυσίδας είναι αιχμηρές και εάν το περυσίο φρένου οπισθοκλιμακίματος λειτουργεί σωστά. Επίσης πρέπει να στέκεστε ισορροπημένα και σε σωστή απόσταση από το έδαφος.

Ενεργοποίηση (Εικ. Κ)

1. Τραβήξτε το περυσίο φρένου οπισθοκλιμακίματος αλυσίδας προς την μπροστινή λαβή στη θέση λειτουργίας (Εικ. Κ).
2. Πιάνετε γερά την μπροστινή λαβή με το αριστερό χέρι και την πίσω λαβή με το δεξί χέρι.

⚠️ ΠΡΟΕΙΔΟΠΟΙΗΣΗ: Για να αποφύγετε τραυματισμούς, χρησιμοποιείτε πάντα το αλυσοπρίονο με το δεξί χέρι πιάνοντας στην περιοχή πιασίματος της πίσω λαβής (Εικ. Λ).

3. Πιέστε και κρατήστε πατημένο το κουμπί ασφάλισης με τον αντίχειρα του δεξιού σας χεριού, και μετά πιέστε το διακόπτη-σκανδάλη με τα δάχτυλα του δεξιού σας χεριού για να εκκινήσετε το αλυσοπρίονο (Εικ. Λ).

L-1

Περιοχή λαβής

4. Αποδεσμεύστε το κουμπί απασφάλισης και συνεχίστε να πιέζετε το διακόπτη-σκανδάλη για συνεχή λειτουργία.
5. Όσο πιο πολύ πιέζεται ο διακόπτης-σκανδάλη, τόσο

αυξάνεται η ταχύτητα. Ρυθμίστε την ταχύτητα ώστε να ανταποκρίνεται στην εν λόγω εργασία.

▲ ΠΡΟΕΙΔΟΠΟΙΗΣΗ: Μην προσπαθήσετε να εκκινήσετε το πριόνι όταν η αλυσίδα βρίσκεται σε μια κοπή.

Απενεργοποίηση

1. Απομακρύνετε το αλυσοπριόνιο από την περιοχή κοπής και στη συνέχεια, αποδεσμεύστε το διακόπτη-σκανδάλη για να απενεργοποιήσετε το αλυσοπριόνιο.
2. Ωθήστε το περὺγιο φρένου οπισθολακτίσματος αλυσίδας προς τα εμπρός στη θέση φρένου για να εμπλέξετε το φρένο αλυσίδας (Εικ. Κ).

▲ ΠΡΟΕΙΔΟΠΟΙΗΣΗ: Αφαιρείτε πάντα τη συστοιχία μπαταριών από τη μηχανή κατά τη διάρκεια διαλειμμάτων και μετά την ολοκλήρωση της εργασίας.

ΑΛΛΑΓΗ ΤΑΧΥΤΗΤΑΣ (ΕΙΚ. Μ)

Το παρόν μηχανήμα διαθέτει τρεις λειτουργίες ταχύτητας. Κάθε ταχύτητα περιορίζει τη μέγιστη ταχύτητα του αλυσοπριονίου. Η ταχύτητα αλλάζει με κάθε πάτημα του επιλογέα ταχύτητας αλυσίδας.

Το επίπεδο ταχύτητας στην οθόνη LCD προβάλλει την ενεργή ταχύτητα: μια μπάρα για χαμηλή ταχύτητα, δύο μπάρες για μεσαία ταχύτητα και τρεις μπάρες για υψηλή ταχύτητα. Η λειτουργία χαμηλής ταχύτητας (ECO) παρέχει καλύτερο έλεγχο της μηχανής και περισσότερο χρόνο λειτουργίας ανά φόρτιση.

M-1	Επίπεδο ταχύτητας	M-7	Επίπεδο ρεύματος φορτίου
M-2	Εικονίδιο Bluetooth	M-8	Κουμπί προβολέα/Bluetooth
M-3	Εικονίδιο προβολέα	M-9	Κουμπί τροφοδοσίας λαδιού
M-4	Εικονίδιο φρένου	M-10	Επιλογέας ταχύτητας αλυσίδας
M-5	Ένδειξη υψηλής θερμοκρασίας	M-11	Επίπεδο τροφοδοσίας λαδιού
M-6	Στρογγυλός δείκτης στάθμης καυσίμου	M-12	Ένδειξη χαμηλής στάθμης λαδιού

ΣΗΜΕΙΩΣΗ: Όταν χρησιμοποιείτε συστοιχία μπαταριών της EGO έως 4,0 Ah, τότε είναι διαθέσιμη μόνο η

λειτουργία ECO. Επίσης, η χρήση συστοιχίας μπαταριών της EGO κάτω των 6,0 Ah δεν επιτρέπει την ανάπτυξη υψηλής ταχύτητας. Για βέλτιστη απόδοση, συνιστούμε θερμά τη χρήση συστοιχιών μπαταριών της EGO τουλάχιστον 6,0 Ah (π.χ., BA3360T).

ΣΗΜΕΙΩΣΗ: Το αλυσοπριόνιο διαθέτει λειτουργία μνήμης για την ταχύτητα αλυσίδας. Την επόμενη φορά που θα ενεργοποιηθεί το αλυσοπριόνιο, θα ενεργοποιηθεί η ταχύτητα που χρησιμοποιήθηκε τελευταία.

ΣΗΜΕΙΩΣΗ: Η οθόνη LCD ανάβει όταν τραβιέται ο διακόπτης-σκανδάλη ή όταν πατιέται το κουμπί τροφοδοσίας λαδιού ή το κουμπί προβολέα/Bluetooth. Από προεπιλογή, η οθόνη LCD απενεργοποιείται αυτόματα μετά από περίπου 1 δευτερόλεπτο αδράνειας.

ΣΗΜΕΙΩΣΗ: Το πάτημα του επιλογέα ταχύτητας αλυσίδας δεν ενεργοποιεί την οθόνη LCD.

ΕΠΙΠΕΔΟ ΦΟΡΤΙΟΥ (Εικ. Μ)

Το επίπεδο φορτίου στη δεξιά πλευρά της οθόνης LCD δείχνει το τρέχον φορτίο της μηχανής. Όσο πιο πολλές είναι οι μπάρες, τόσο μεγαλύτερο είναι το φορτίο.

Αυτή η λειτουργία προορίζεται κυρίως για έμπειρους χρήστες πνευματικών αλυσοπριονίων που μπορεί να μην έχουν την «αίσθηση» του πώς συμπεριφέρεται το αλυσοπριόνιο μπαταρίας υπό διαφορετικά φορτία. Βοηθά τους χρήστες να παρακολουθούν το φόρτο εργασίας, ώστε να αποφεύγεται η πολύωρη λειτουργία υπό βαρύ φορτίο, η οποία μπορεί να κάνει το αλυσοπριόνιο να σταματήσει κατά τη διάρκεια της λειτουργίας λόγω υπερθέρμανσης.

ΕΝΔΕΙΞΗ ΥΨΗΛΗΣ ΘΕΡΜΟΚΡΑΣΙΑΣ (Εικ. Μ)

Η ένδειξη υψηλής θερμοκρασίας ανάβει όταν η θερμοκρασία της μηχανής υπερβαίνει τους 90°C (194°F) ή όταν θερμοκρασία της μπαταρίας υπερβαίνει τους 70°C (158°F) κατά τη διάρκεια της λειτουργίας. Το κύκλωμα προστασίας από υπερθέρμανση απενεργοποιεί αμέσως τη μηχανή προκειμένου να αποτραπούν ζημιές από υπερθέρμανση. Αποδεσμεύστε τη σκανδάλη και περιμένετε ώσπου να κρυώσει η υπερθερμασμένη μηχανή ή μπαταρία και να σβήσει η ένδειξη υψηλής θερμοκρασίας. Στη συνέχεια, επανεκκινήστε τη μηχανή.

ΕΙΚΟΝΙΔΙΟ ΦΡΕΝΟΥ (Εικ. Μ)

Το εικονίδιο φρένου προβάλλεται στην οθόνη LCD όταν το χειριστήριο φρένου βρίσκεται στη θέση πέδησης.

Το εικονίδιο φρένου αναβοσβήνει όταν το παγκατευθυντικό σύστημα πέδησης αλυσίδας σταματά το αλυσοπριόνιο. Ανατρέξτε στο επόμενο κεφάλαιο για περαιτέρω πληροφορίες.

ΠΑΓΚΑΤΕΥΘΥΝΤΙΚΟ ΣΥΣΤΗΜΑ ΠΕΔΗΣΗΣ ΑΛΥΣΙΔΑΣ (Εικ. N1 και N2)

Το παγκατευθυντικό σύστημα πέδησης αλυσίδας δεν προορίζεται ως υποκατάστατο του τυπικού/παραδοσιακού φρένου αλυσίδας. Ο χρήστης δεν πρέπει να βασιστεί ποτέ σε αυτό το χαρακτηριστικό κατά τη διάρκεια λειτουργίας του αλυσοπρίονου όσον αφορά την προστασία από αντιλάκτιση. Τηρείτε πάντοτε τις οδηγίες αποφυγής της αντιλάκτισης που περιλαμβάνονται στην ενότητα προειδοποιήσεων του παρόντος εγχειριδίου.

Όταν ενεργοποιείται το παγκατευθυντικό σύστημα πέδησης αλυσίδας και σταματά η λειτουργία του αλυσοπρίονου, αναβοσβήνει στην οθόνη LCD το εικονίδιο φρένου (Εικ. Μ). Αποδεσμεύστε το διακόπτη-σκανδάλη, απομακρύνετε την αλυσίδα και την οδηγητική μπάρα από το ξύλο, και στη συνέχεια, επανεκκινήστε το αλυσοπρίονο.

ΣΗΜΕΙΩΣΗ: Οι αισθητήρες εντοπίζουν μόνο ξαφνική κίνηση του αλυσοπρίονου στο επίπεδο της οδηγητικής μπάρας (Εικ. N1). Οι αισθητήρες δεν εντοπίζουν καμία ξαφνική κίνηση του αλυσοπρίονου πλάγια (Εικ. N2) (δηλ. κάθετα στο επίπεδο της οδηγητικής μπάρας).

ΕΠΙΠΕΔΟ ΤΡΟΦΟΔΟΣΙΑΣ ΛΑΔΙΟΥ ΚΑΙ ΕΝΔΕΙΞΗ ΧΑΜΗΛΗΣ ΣΤΑΘΜΗΣ ΛΑΔΙΟΥ (Εικ. Μ)

Η μηχανή λιπαίνει αυτόματα την αλυσίδα. Αυτό το αλυσοπρίονο σας επιτρέπει να αλλάζετε την ποσότητα τροφοδοσίας λαδιού με κάθε πάτημα του κουμπιού τροφοδοσίας λαδιού.

ΣΗΜΕΙΩΣΗ: Η ποσότητα τροφοδοσίας λαδιού αλλάζει μόνο εφόσον δεν λειτουργεί η αλυσίδα.

Το επίπεδο τροφοδοσίας λαδιού στην οθόνη LCD προβάλλει την ποσότητα τροφοδοσίας λαδιού. Μία μπάρα για μικρή ποσότητα τροφοδοσίας λαδιού, δύο μπάρες για μέτρια ποσότητα τροφοδοσίας λαδιού και τρεις μπάρες για μεγάλη ποσότητα τροφοδοσίας λαδιού.

Επιλέξτε μεγαλύτερη ποσότητα τροφοδοσίας λαδιού για μεγαλύτερη ταχύτητα της αλυσίδας. Εάν η αλυσίδα του πριονιού στεγνώσει κατά τη διάρκεια της εργασίας, σταματήστε τον κινητήρα και επιλέξτε μεγαλύτερη ποσότητα τροφοδοσίας λαδιού.

Όταν η στάθμη λαδιού είναι χαμηλή, στην οθόνη LCD προβάλλεται η ένδειξη χαμηλής στάθμης λαδιού πάνω από τις μπάρες ποσότητας τροφοδοσίας λαδιού, ενώ θα είναι διαθέσιμη μόνο μικρή ποσότητα τροφοδοσίας λαδιού. Σταματήστε το αλυσοπρίονο και ξαναγεμίστε το ρεζερβουάρ λαδιού σύμφωνα με το κεφάλαιο **ΓΕΜΙΣΜΑ ΡΕΖΕΡΒΟΥΑΡ ΛΑΔΙΟΥ ΜΕ ΛΙΠΑΝΤΙΚΟ ΜΠΑΡΩΝ ΚΑΙ ΑΛΥΣΙΔΩΝ**.

Αφού γεμίσετε το ρεζερβουάρ λαδιού, θέστε σε λειτουργία το αλυσοπρίονο για περίπου 10 δευτερόλεπτα, ώστε να αρχίσει λειτουργήσει το σύστημα αυτόματης λίπανσης και να σβήσει η ένδειξη στην οθόνη LCD.

ΣΗΜΕΙΩΣΗ: Εάν η ένδειξη εξακολουθεί να προβάλλεται στην οθόνη LCD μετά την εκτέλεση των παραπάνω βημάτων, το σύστημα ενδέχεται να έχει υποστεί βλάβη. Σταματήστε να χρησιμοποιείτε το αλυσοπρίονο και επικοινωνήστε με εξουσιοδοτημένο κέντρο σέρβις της EGO για επισκευή.

ΠΡΟΒΟΛΕΑΣ LED (Εικ. Ο)

Ο προβολέας LED βρίσκεται στο μπροστινό μέρος του περιβλήματος αλυσοπρίονου. Ο προβολέας παρέχει φωτισμό για αυξημένη ορατότητα και διαθέτει 2 επίπεδα φωτεινότητας.

Για να ανάψετε τον προβολέα, πατήστε το κουμπί προβολέα/Bluetooth (Εικ. Μ) μία φορά. Ο προβολέας θα ανάψει σε χαμηλή φωτεινότητα και θα εμφανιστεί το εικονίδιο χαμηλής φωτεινότητας στην οθόνη LCD. Πιέστε εκ νέου το κουμπί προβολέα/Bluetooth για να μεταβείτε σε υψηλή φωτεινότητα και θα εμφανιστεί το εικονίδιο προβολέα υψηλής φωτεινότητας στην οθόνη LCD.

Για να απενεργοποιήσετε τον προβολέα, πατήστε το κουμπί προβολέα/Bluetooth για τρίτη φορά και το εικονίδιο του προβολέα θα εξαφανιστεί από την οθόνη LCD.

0-1	Εικονίδιο προβολέα χαμηλής φωτεινότητας	0-3	Προβολέας LED
0-2	Εικονίδιο προβολέα υψηλής φωτεινότητας		

ΤΕΧΝΟΛΟΓΙΑ ΕΠΙΚΟΙΝΩΝΙΑΣ

Για περισσότερες πληροφορίες σχετικά με το πλήρες εύρος των συνδεδεμένων προϊόντων και υπηρεσιών μας, συμπεριλαμβανομένων των οδηγιών σύνδεσης, σαρώστε τον παρακάτω κωδικό QR ή μεταβείτε στη διεύθυνση www.egopowerplus.eu/connect.



ΣΩΣΤΟ ΠΙΑΣΙΜΟ ΤΩΝ ΛΑΒΩΝ (ΕΙΚ. Ρ1)

- Φοράτε αντιολισθητικά γάντια για μέγιστο κράτημα και προστασία.
- Με το αλυσοπρίονο σε μια σταθερή, επίπεδη επιφάνεια, κρατήστε το σφιχτά και με τα δύο χέρια.
- Πιάνετε πάντα την μπροστινή λαβή με το αριστερό χέρι και την πίσω λαβή με το δεξί χέρι.
- Τα δάχτυλα πρέπει περικλείουν τη χειρολαβή, με τον αντίχειρα τυλιγμένο κάτω από την μπροστινή χειρολαβή.

⚠ ΠΡΟΕΙΔΟΠΟΙΗΣΗ: Ποτέ μη χρησιμοποιείτε αριστερό κράτημα (διασταύρωση χεριών) ή οτιδήποτε μπορεί να θέσει το σώμα ή το βραχίονά σας εγκάρσια της γραμμής κοπής της αλυσίδας.

⚠ ΠΡΟΕΙΔΟΠΟΙΗΣΗ: Μη λειτουργείτε το διακόπτη-σκανδάλη με το αριστερό χέρι και κρατάτε την μπροστινή χειρολαβή με το δεξί χέρι. Φροντίστε ώστε κανένα μέρος του σώματός σας να μη βρίσκεται στη γραμμή κοπής της αλυσίδας κατά τη διάρκεια χρήσης του αλυσοπρίονου (Εικ. Ρ2).

ΣΩΣΤΗ ΘΕΣΗ ΚΟΠΗΣ (ΕΙΚ. Q)

- Και τα δύο πόδια πρέπει να βρίσκονται σε σταθερό έδαφος, με το βάρος ομοιόμορφα κατανεμημένο μεταξύ τους.
- Ο αριστερός βραχίονας πρέπει να είναι ίσιος, με τον αγκώνα σταθερό. Έτσι αντέχετε τις δυνάμεις που δημιουργούνται από οπισθολάκτισμα.
- Το σώμα σας πρέπει να βρίσκεται πάντα στα αριστερά της γραμμής αλυσίδας.

ΟΔΗΓΙΕΣ ΑΝΑΦΟΡΙΚΑ ΜΕ ΤΙΣ ΣΩΣΤΕΣ ΤΕΧΝΙΚΕΣ ΓΙΑ ΒΑΣΙΚΗ ΥΛΟΤΟΜΙΑ, ΑΠΟΚΛΑΔΩΣΗ ΚΑΙ ΕΓΚΑΡΣΙΑ ΚΟΠΗ

⚠ ΠΡΟΕΙΔΟΠΟΙΗΣΗ: Βεβαιώνετε πάντα ότι στέκεστε καλά και ότι κρατάτε το αλυσοπρίονο σφιχτά και με τα δύο χέρια, ενώ λειτουργεί το μοτέρ.

⚠ ΠΡΟΕΙΔΟΠΟΙΗΣΗ: Όταν η αλυσίδα είναι σταματημένη λόγω μαγκώματος κατά την κοπή, αποδεσμεύστε το διακόπτη-σκανδάλη. Απομακρύνετε την αλυσίδα και την οδηγητική μπάρα από το ξύλο, και στη συνέχεια, επανεκκινήστε το αλυσοπρίονο.

⚠ ΠΡΟΕΙΔΟΠΟΙΗΣΗ: Μην τραβάτε την αλυσίδα με το χέρι όταν είναι δεσμευμένη με σκόνη πριονίσματος. Μπορεί να προκύψει σοβαρός τραυματισμός εάν το αλυσοπρίονο εκκινηθεί κατά τύχη. Πιέστε το αλυσοπρίονο προς το ξύλο, μετακινήστε το αλυσοπρίονο προς τα

πίσω και εμπρός για να απομακρύνετε τα υπολείμματα. Απομακρύνετε πάντα τη συστοιχία μπαταριών πριν τον καθαρισμό. Φοράτε ανθεκτικά προστατευτικά γάντια όταν χειρίζεστε την αλυσίδα.

⚠ ΠΡΟΕΙΔΟΠΟΙΗΣΗ: Ποτέ μην εκκινείτε το αλυσοπρίονο όταν βρίσκεται σε επαφή με το ξύλο. Αφήνετε πάντα το αλυσοπρίονο να φτάνει στην πλήρη ταχύτητα, προτού το ακουμπήσετε πάνω στο ξύλο.

ΚΟΠΗ ΔΕΝΤΡΟΥ

- Κατά τις λειτουργίες τεμαχισμού και κοπής από δύο ή περισσότερα άτομα ταυτόχρονα, η λειτουργία κοπής πρέπει να διαχωρίζεται από τη λειτουργία τεμαχισμού από μια απόσταση τουλάχιστον το διπλό ύψος του δέντρου που κόβεται. Τα δέντρα δεν πρέπει να κόβονται έτσι ώστε να θέτουν σε κίνδυνο οποιoδήποτε άτομο, να χτυπήσουν οποιoδήποτε αγωγό ή να προκαλέσουν ζημιές σε ιδιοκτησίες. Εάν το δέντρο έρθει σε επαφή με γραμμές τροφοδοσίας, ειδοποιήστε αμέσως την αντίστοιχη εταιρεία.
- Ο χειριστής του αλυσοπρίονου πρέπει να στέκεται στην ανωφερή πλευρά του εδάφους, γιατί το δέντρο μπορεί να κυλήσει ή να γλιστρήσει προς τα κάτω μετά την κοπή.
- Πριν ξεκινήσετε τις εργασίες κοπής πρέπει να σχεδιάσετε και να καθαρίσετε ένα διάδρομο διαφυγής σύμφωνα με τις ανάγκες. Η διαδρομή διαφυγής πρέπει να εκτείνεται προς τα πίσω και διαγώνια από την αναμενόμενη γραμμή πτώσης, όπως φαίνεται στην Εικ. R.

R-1	Κατεύθυνση κοπής
R-2	Διαδρομή υποχώρησης ασφάλειας

GR

- Προτού ξεκινήσει η κοπή, λάβετε υπόψη την φυσική κλίση του δέντρου, την τοποθεσία των μεγαλύτερων κλαδιών και την κατεύθυνση του ανέμου, ώστε να κρίνετε προς ποια κατεύθυνση θα πέσει το δέντρο.
- Αφαιρέστε ρύπους, πέτρες, χαλαρούς φλοιούς, καρφιά, συνδετήρες και σύρματα από το δέντρο.

ΕΓΚΟΠΗ ΤΟΜΗΣ ΡΙΨΗΣ

Κάντε την εντομή στο 1/3 της διαμέτρου του δέντρου, κάθετα προς την κατεύθυνση πτώσης, όπως φαίνεται στην Εικ. S. Κάντε πρώτα την κατώτερη οριζόντια κοπή εγκοπής. Έτσι θα αποφευχθεί μάγκωμα του αλυσοπρίονου ή της οδηγητικής μπάρας όταν γίνει η

δεύτερη εντομή.

S-1	Κατεύθυνση πτώσης	S-3	Όπισθεν κοπή
S-2	Εγκοπή	S-4	Μεντεσές

Όπισθεν κοπή

- Κάντε την όπισθεν κοπή τουλάχιστον 50 mm ψηλότερα από την οριζόντια κοπή εντομής, όπως φαίνεται στην Εικ. S. Διατηρείτε την όπισθεν κοπή τουλάχιστον παράλληλη στην οριζόντια κοπή εντομής. Κάντε την όπισθεν κοπή έτσι ώστε να απομείνει επαρκές ξύλο για να λειτουργήσει ως άρθρωση. Το ξύλο που λειτουργεί έτσι εμποδίζει το δέντρο να περιστραφεί και να πέσει στην λάθος κατεύθυνση. Μην κόψετε μέσα από αυτήν την άρθρωση.
- Καθώς η κοπή πλησιάζει κοντά στην άρθρωση, το δέντρο θα ξεκινήσει να πέφτει. Εάν υπάρχει πιθανότητα το δέντρο να μην πέσει στην επιθυμητή κατεύθυνση ή να λικνιστεί πίσω και να σφηνώσει το αλυσοπρίονο, σταματήστε την κοπή προτού ολοκληρωθεί η όπισθεν κοπή και χρησιμοποιήστε σφήνες ξύλου, πλαστικού ή αλουμινίου για να ανοίξετε την κοπή ώστε να πέσει το δέντρο κατά μήκος της επιθυμητής γραμμής πτώσης.
- Όταν το δέντρο αρχίσει να πέφτει, απομακρύνετε το αλυσοπρίονο από την κοπή, σταματήστε τον κινητήρα, αποθέστε το μηχανήμα κάτω και κατόπιν χρησιμοποιήστε τη διαδρομή υποχώρησης όπως είχατε σχεδιάσει. Να προσέχετε για κλαδιά πιο ψηλά που ενδεχομένως πέφτουν και προσέχετε που πατάτε.

Αποκλάδωση δέντρου

Η αποκλάδωση απομακρύνει τα κλαδιά από ένα πεσμένο δέντρο. Κατά την αποκλάδωση αφίγνετε τα μεγαλύτερα κλαδιά χαμηλά να υποστηρίζουν τον κορμό μακριά από το έδαφος. Απομακρύνετε τα μικρά κλαδιά με μια κοπή, όπως φαίνεται στην Εικ. T. Τα κλαδιά που βρίσκονται υπό πίεση πρέπει να κόβονται από κάτω προς τα πάνω, για να αποφευχθεί το μάγκωμα της αλυσίδας του πριονιού.

Τεμαχισμός κορμού

Ο όρος αυτός αφορά το πριόνισμα ενός κορμού σε διάφορα μήκη. Είναι σημαντικό να πατάτε σταθερά και το βάρος σας να κατανέμεται ομοιόμορφα και στα δύο πόδια. Όταν είναι δυνατόν, ο κορμός πρέπει να ανυψώνεται και υποστηρίζεται με τη χρήση κλαδιών, κορμών ή σφηνών. Τηρείτε αυτές τις απλές οδηγίες για εύκολη κοπή.

Όταν ο κορμός υποστηρίζεται σε όλο του το μήκος, όπως

φαίνεται στην Εικ. U1, κόβεται από το επάνω μέρος (τεμαχισμός από πάνω προς τα κάτω).

Όταν ο κορμός υποστηρίζεται στο ένα άκρο, όπως φαίνεται στην Εικ. U2, κόβετε το 1/3 της διαμέτρου από την κάτω πλευρά (τεμαχισμός από κάτω προς τα πάνω). Κατόπιν κάντε την οριστική κοπή με τεμαχισμό από πάνω προς τα κάτω για να συναντήσετε την πρώτη κοπή.

Όταν ο κορμός υποστηρίζεται και στα δύο άκρα, όπως φαίνεται στην Εικ. U3, κόβετε το 1/3 της διαμέτρου από την άνω πλευρά (τεμαχισμός από πάνω προς τα κάτω). Κατόπιν κάντε την οριστική κοπή με τεμαχισμό από κάτω προς τα πάνω των κάτω 2/3 για να συναντήσετε την πρώτη κοπή.

Όταν κόβετε ξύλο σε επικλινές έδαφος, να στέκεστε πάντα στην ανωφερή πλευρά του κορμού, όπως φαίνεται στην Εικ. V.

Όταν κόβετε στη μέση, για να διατηρήσετε τον πλήρη έλεγχο, αποδεσμεύστε την πίεση κοπής κοντά στο τέλος της κοπής, χωρίς να χαλαρώσετε τη λαβή σας στις χειρολαβές του αλυσοπριονίου. Μην αφήσετε την αλυσίδα να έρθει σε επαφή με το έδαφος. Αφού ολοκληρώσετε την κοπή, περιμένετε να σταματήσει το αλυσοπρίονο προτού μετακινήσετε. Απενεργοποιείτε πάντα τον κινητήρα προτού μετακινηθείτε από δέντρο σε δέντρο.

ΣΥΝΤΗΡΗΣΗ

⚠ ΠΡΟΕΙΔΟΠΟΙΗΣΗ: Κατά τη συντήρηση, χρησιμοποιείτε μόνο όμοια ανταλλακτικά. Η χρήση οποιωνδήποτε άλλων εξαρτημάτων μπορεί να προκαλέσει κίνδυνο ή υλικές ζημιές. Προκειμένου να διασφαλιστεί η ασφάλεια και η αξιοπιστία, όλες οι επισκευές πρέπει να διενεργούνται από εξειδικευμένο τεχνικό σέρβις.

⚠ ΠΡΟΕΙΔΟΠΟΙΗΣΗ: Για την αποφυγή σοβαρού ατομικού τραυματισμού, αφαιρείτε πάντα τη συστοιχία μπαταριών από το προϊόν προτού επιθεωρήσετε, καθαρίσετε ή διεξάγετε συντήρηση. Ένα εργαλείο που λειτουργεί με μπαταρία με εισηγμένη συστοιχία μπαταριών, είναι πάντα ενεργό και μπορεί να εκκινήσει τυχαία.

⚠ ΠΡΟΕΙΔΟΠΟΙΗΣΗ: Όταν καθαρίζετε το αλυσοπρίονο, ΜΗΝ το βυθίζετε σε νερό ή άλλα υγρά.

⚠ ΠΡΟΕΙΔΟΠΟΙΗΣΗ: Τα πλαστικά εξαρτήματα δεν πρέπει να έρθουν ποτέ σε επαφή με υγρά φρένων, βενζίνη, πετρελαϊκά προϊόντα, διεισδυτικά λάδια, κτλ. Τα χημικά μπορούν να φθείρουν, να καταστήσουν εύθραυστα ή να καταστρέψουν τα πλαστικά εξαρτήματα με κίνδυνο σοβαρού τραυματισμού.

ΚΑΘΑΡΙΣΜΟΣ

- Μετά από κάθε χρήση, καθαρίζετε τα υπολείμματα από την αλυσίδα και την οδηγητική μπάρα με μια μαλακή βούρτσα. Σκουπίζετε την επιφάνεια του αλυσοπρίονου με ένα καθαρό πανί βρεγμένο με ήπια σαπουνάδα.
- Απομακρύνετε το πλαϊνό κάλυμμα και κατόπιν χρησιμοποιήστε μια μαλακή βούρτσα για να απομακρύνετε υπολείμματα από την οδηγητική μπάρα, την αλυσίδα, τον οδοντωτό τροχό και το πλαϊνό κάλυμμα.
- Αφαιρείτε το κάτω κάλυμμα ανά περίπτωση 8 ώρες λειτουργίας και χρησιμοποιείτε μια μαλακή βούρτσα για να απομακρύνετε τα υπολείμματα από το εσωτερικό της μηχανής και από το κάλυμμα (Εικ. W).
- Καθαρίζετε πάντα τα ροκανίδια, τη σκόνη πριονίσματος και τους ρύπους από την εγκοπή οδηγητικής μπάρας όταν αντικαθιστάτε την αλυσίδα.

ΣΥΝΤΗΡΗΣΗ ΟΔΗΓΗΤΙΚΗΣ ΜΠΑΡΑΣ

Εφόσον η οδηγητική μπάρα παρουσιάσει σημάδια φθοράς, αποσυναρμολογήστε την από την κεφαλή ισχύος του αλυσοπρίονου και αντιστρέψτε την για επανατοποθέτηση (Εικ. X1). Με αυτόν τον τρόπο η φθορά θα κατανεμηθεί ομοιόμορφα για μεγαλύτερη διάρκεια ζωής της μπάρας.

Η μπάρα πρέπει να καθαρίζεται μετά από κάθε χρήση και να ελέγχεται για φθορά και ζημιές (Εικ. X2). Σφήνωμα ή γρέζια στις ράγες μπάρας είναι φυσιολογικά σημάδια φθοράς της μπάρας. Τέτοια ίχνη πρέπει να λειαίνονται με μια λίμα μόλις εμφανιστούν. Μια μπάρα με κάποιο από τα ακόλουθα σημάδια πρέπει να αντικατασταθεί.

- Φθορά στο εσωτερικό των ραγών μπάρας που επιτρέπει στην αλυσίδα να τρέχει λοξά.
- Λυγισμένη οδηγητική μπάρα.
- Ραγισμένες ή σπασμένες ράγες.
- Ανοιγμένες ράγες.

Επιπλέον, η οδηγητική μπάρα έχει έναν οδοντωτό τροχό στην άκρη (Εικ. X3).

Ο οδοντωτός τροχός πρέπει να λιπαίνεται κάθε εβδομάδα με μια σύριγγα με γράσο για την επιμήκυνση της διάρκειας ζωής της οδηγητικής μπάρας. Χρησιμοποιείτε σύριγγα με γράσο για την εβδομαδιαία λίπανση με λάδι αλυσίδας από την οπή λίπανσης (Εικ. W4). Γυρίστε την οδηγητική μπάρα και ελέγξτε εάν οι οπές λίπανσης και η εγκοπή αλυσίδας είναι ελεύθερες από ρύπους.

X-1	Ράγες μπάρας	X-3	Οπή λίπανσης
-----	--------------	-----	--------------

X-2	Οδοντωτός τροχός στην ακμή οδηγητικής μπάρας		
-----	--	--	--

ΣΗΜΕΙΩΣΗ: Χρησιμοποιήστε εξουσιοδοτημένα λιπαντικά της EGO για καλύτερα αποτελέσματα.

ΜΕΤΑΦΟΡΑ ΚΑΙ ΑΠΟΘΗΚΕΥΣΗ

Μην αποθηκεύετε ή μεταφέρετε το αλυσοπρίονο όταν αυτό βρίσκεται σε λειτουργία. Απομακρύνετε πάντα τη συστοιχία μπαταριών πριν την αποθήκευση ή τη μεταφορά.

Τοποθετείτε πάντα τη θήκη οδηγητικής μπάρας στην οδηγητική μπάρα και την αλυσίδα προτού αποθηκεύσετε ή μεταφέρετε το αλυσοπρίονο. Να είστε προσεκτικοί και να αποφεύγετε την αιχμηρή οδόντωση της αλυσίδας.

Καθαρίστε το αλυσοπρίονο επιμελώς πριν από την αποθήκευση. Αποθηκεύστε το αλυσοπρίονο σε εσωτερικό, στεγνό χώρο που κλειδώνει και όπου δεν πλησιάζουν παιδιά.

Να διατηρείται μακριά από διαβρωτικές ουσίες, όπως χημικές ουσίες και αποπαγωτικά άλατα κήπου.

ΠΡΟΣΤΑΣΙΑ ΤΟΥ ΠΕΡΙΒΑΛΛΟΝΤΟΣ



Μην απορρίπτετε ηλεκτρικό εξοπλισμό, παλιές μπαταρίες και φορτιστές στα οικιακά απορρίμματα!

Μεταφέρετε αυτό το προϊόν σε εξουσιοδοτημένο κέντρο ανακύκλωσης και παραδώστε το για ξεχωριστή συλλογή. Τα ηλεκτρικά εργαλεία πρέπει να επιστρέφονται σε περιβαλλοντικά συμβατή μονάδα ανακύκλωσης.

ΑΝΤΙΜΕΤΩΠΙΣΗ ΠΡΟΒΛΗΜΑΤΩΝ

⚠️ ΠΡΟΕΙΔΟΠΟΙΗΣΗ: Προσέχετε πάντα τα χέρια σας φορώντας ανθεκτικά γάντια όταν διεξάγετε συντήρηση στο αλυσοπρίονο. Απομακρύνετε πάντα τη συστοιχία μπαταριών κατά τη συντήρηση ή μεταφορά του αλυσοπρίονου.

ΠΡΟΒΛΗΜΑ	ΑΙΤΙΑ	ΑΝΤΙΜΕΤΩΠΙΣΗ
Ο κινητήρας δεν ενεργοποιείται.	<ul style="list-style-type: none"> ■ Η συστοιχία μπαταριών δεν έχει προσαρτηθεί στο αλυσοπρίονο. ■ Δεν υπάρχει ηλεκτρική επαφή μεταξύ πριονιού και συστοιχίας μπαταριών. ■ Εάν ο στρογγυλός δείκτης στάθμης καυσίμου στην οθόνη LCD αναβοσβήνει, τότε η συστοιχία μπαταριών έχει αδειάσει. ■ Εάν προβληθεί η ένδειξη υψηλής θερμοκρασίας στην οθόνη LCD, τότε έχει υπερθερμανθεί η συστοιχία μπαταριών ή το αλυσοπρίονο. ■ Εάν προβληθεί το εικονίδιο του φρένου αλυσίδας στην οθόνη LCD, τότε είναι ενεργό το φρένο αλυσίδας. ■ Υπολείμματα στην εγκοπή μπάρας. ■ Υπολείμματα στο πλαϊνό κάλυμμα. 	<ul style="list-style-type: none"> ■ Τοποθετήστε τη συστοιχία μπαταριών στο αλυσοπρίονο. ■ Απομακρύνετε τη συστοιχία μπαταριών, ελέγξτε τις επαφές και εγκαταστήστε εκ νέου τη συστοιχία μπαταριών. ■ Φορτίστε τη συστοιχία μπαταριών. ■ Επιτρέψτε να κρυώσει η συστοιχία μπαταριών ή το αλυσοπρίονο, μέχρι η θερμοκρασία πέσει κάτω από τους 67°C. ■ Τραβήξτε το πτερόγιο φρένου οπισθολακτίσματος αλυσίδας προς τα πίσω προς την μπροστινή λαβή για να επιτύχετε τη θέση λειτουργίας. ■ Πιέστε το αλυσοπρίονο προς το ξύλο, μετακινήστε το αλυσοπρίονο προς τα πίσω και εμπρός για να απομακρύνετε τα υπολείμματα. ■ Απομακρύνετε τη συστοιχία μπαταριών, κατόπιν αφαιρέστε το πλαϊνό κάλυμμα και καθαρίστε τα υπολείμματα.
Η κατάσταση λειτουργίας της ταχύτητας δεν μπορεί να αλλάξει.	<ul style="list-style-type: none"> ■ Ο επιλογέας ταχύτητας αλυσίδας έχει μπλοκάρει από υπολείμματα. 	<ul style="list-style-type: none"> ■ Απομακρύνετε τα υπολείμματα γύρω από τον επιλογέα ταχύτητας αλυσίδας.

GR

ΠΡΟΒΛΗΜΑ	ΑΙΤΙΑ	ΑΝΤΙΜΕΤΩΠΙΣΗ
Το αλυσοπρίονο σταματά απροσδόκητα κατά τη διάρκεια της λειτουργίας.	<ul style="list-style-type: none"> ■ Το αλυσοπρίονο έχει υπερφορτωθεί. ■ Εάν προβληθεί η ένδειξη υψηλής θερμοκρασίας στην οθόνη LCD, τότε έχει υπερθερμανθεί η συστοιχία μπαταριών ή το αλυσοπρίονο. ■ Η αλυσίδα έχει μαγκώσει στο ξύλο. ■ Εάν αναβοσβήνει το εικονίδιο του φρένου αλυσίδας στην οθόνη LCD, τότε το παγκατευθυντικό φρένο αλυσίδας έχει σταματήσει το αλυσοπρίονο. 	<ul style="list-style-type: none"> ■ Μειώστε το φορτίο. ■ Επιτρέψτε να κρυώσει η συστοιχία μπαταριών ή το αλυσοπρίονο, μέχρι η θερμοκρασία πέσει κάτω από τους 67°C. ■ Αποδεσμεύστε το διακόπτη-σκανδάλη. Απομακρύνετε την αλυσίδα και την οδηγητική μπάρα από το ξύλο, κατόπιν επανεκινήστε το αλυσοπρίονο. ■ Αποδεσμεύστε το διακόπτη-σκανδάλη. Απομακρύνετε την αλυσίδα και την οδηγητική μπάρα από το ξύλο, κατόπιν επανεκινήστε το αλυσοπρίονο.
Ο κινητήρας λειτουργεί αλλά η αλυσίδα δεν περιστρέφεται.	<ul style="list-style-type: none"> ■ Η αλυσίδα δεν «πιάνει» τον οδοντωτό τροχό της οδηγητικής μπάρας. 	<ul style="list-style-type: none"> ■ Επανεγκαταστήστε την αλυσίδα, εξασφαλίζοντας ότι οι σύνδεσμοι αλυσίδας πάνω στην αλυσίδα εδράζονται πλήρως στον οδοντωτό τροχό.
Το φρένο αλυσίδας δεν πιάνει.	<ul style="list-style-type: none"> ■ Ρύποι εμποδίζουν την πλήρη κίνηση του περυγίου φρένου οπισθολακτίσματος αλυσίδας ■ Πιθανή δυσλειτουργία φρένου αλυσίδας 	<ul style="list-style-type: none"> ■ Καθαρίστε τα υπολείμματα από τον εξωτερικό μηχανισμό του φρένου αλυσίδας ■ Επικοινωνήστε με την εξυπηρέτηση πελατών της EGO για επίσκεψη.

ΠΡΟΒΛΗΜΑ	ΑΙΤΙΑ	ΑΝΤΙΜΕΤΩΠΙΣΗ
Το αλυσοπρίονο δεν κόβει σωστά.	<ul style="list-style-type: none"> ■ Ανεπαρκής τάνυση αλυσίδας. ■ Στομωμένη αλυσίδα. ■ Η αλυσίδα έχει εγκατασταθεί αντίστροφα. ■ Φθαρμένη αλυσίδα. ■ Στεγνή ή υπερβολική τενωμένη αλυσίδα. ■ Η αλυσίδα δε βρίσκεται στην εγκοπή μπάρας. 	<ul style="list-style-type: none"> ■ Ρυθμίστε εκ νέου την τάνυση αλυσίδας, σύμφωνα με την ενότητα: «ΡΥΘΜΙΣΗ ΤΗΣ ΤΑΝΥΣΗΣ ΑΛΥΣΙΔΑΣ». ■ Τροχήστε την αλυσίδα. ■ Επανεγκαταστήστε την αλυσίδα σύμφωνα με την ενότητα «ΣΥΝΑΡΜΟΛΟΓΗΣΗ/ΑΝΤΙΚΑΤΑΣΤΑΣΗ ΤΗΣ ΜΠΑΡΑΣ ΚΑΙ ΤΗΣ ΑΛΥΣΙΔΑΣ». ■ Αντικαταστήστε την αλυσίδα, ακολουθώντας το απόσπασμα: «ΣΥΝΑΡΜΟΛΟΓΗΣΗ/ΑΝΤΙΚΑΤΑΣΤΑΣΗ ΤΗΣ ΜΠΑΡΑΣ ΚΑΙ ΤΗΣ ΑΛΥΣΙΔΑΣ». ■ Ελέγξτε τη στάθμη λαδιού. Γεμίστε ξανά το ρεζερβουάρ λαδιού και επιλέξτε υψηλότερο όγκο παροχής λαδιού εφόσον απαιτείται. ■ Επανεγκαταστήστε την αλυσίδα, ακολουθώντας τις οδηγίες στο απόσπασμα: «ΣΥΝΑΡΜΟΛΟΓΗΣΗ/ΑΝΤΙΚΑΤΑΣΤΑΣΗ ΤΗΣ ΜΠΑΡΑΣ ΚΑΙ ΤΗΣ ΑΛΥΣΙΔΑΣ».
Η αλυσίδα χαλαρώνει ή πέφτει από την οδηγητική μπάρα κατά την κανονική χρήση.	<ul style="list-style-type: none"> ■ Η αλυσίδα χαλαρώνει καθώς η θερμοκρασία της αλυσίδας αυξάνεται κατά την κανονική λειτουργία του αλυσοπρίονου. ■ Η αλυσίδα δεν «πιάνει» τον οδοντωτό τροχό της οδηγητικής μπάρας. 	<ul style="list-style-type: none"> ■ Εντείνετε την τάνυση αλυσίδας σύμφωνα με την ενότητα «ΡΥΘΜΙΣΗ ΤΗΣ ΤΑΝΥΣΗΣ ΑΛΥΣΙΔΑΣ». ■ Επανεγκαταστήστε την αλυσίδα, ακολουθώντας τις οδηγίες στο απόσπασμα: «ΣΥΝΑΡΜΟΛΟΓΗΣΗ/ΑΝΤΙΚΑΤΑΣΤΑΣΗ ΤΗΣ ΜΠΑΡΑΣ ΚΑΙ ΤΗΣ ΑΛΥΣΙΔΑΣ».
Η μπάρα και η αλυσίδα θερμαίνονται και βγαίνει καπνός.	<ul style="list-style-type: none"> ■ Εάν προβληθεί η ένδειξη χαμηλής στάθμης λαδιού στην οθόνη LCD, τότε έχει αδειάσει το ρεζερβουάρ λαδιού αλυσίδας. ■ Υπολείμματα στην εγκοπή οδηγητικής μπάρας. 	<ul style="list-style-type: none"> ■ Ελέγξτε τη στάθμη λαδιού. Συμπληρώστε λάδι στο ρεζερβουάρ λαδιού, εάν χρειαστεί. ■ Καθαρίστε τα υπολείμματα στην εγκοπή.
Η ένδειξη χαμηλής στάθμης λαδιού εμφανίζεται στην οθόνη LCD παρότι υπάρχει επαρκές λάδι στο δοχείο λαδιού. Ή ακόμη και αν το δοχείο λαδιού έχει έλλειψη λαδιού, η οθόνη LCD δεν εμφανίζει την ένδειξη χαμηλής στάθμης λαδιού.	<ul style="list-style-type: none"> ■ Το εξάρτημα ανίχνευσης στάθμης λαδιού δεν έχει ακόμη ανιχνεύσει την πραγματική στάθμη λαδιού λόγω υπολειμμάτων λαδιού ή αέρα στο σωλήνα λαδιού. ■ Βλάβη του εξαρτήματος ανίχνευσης στάθμης λαδιού. 	<ul style="list-style-type: none"> ■ Περιμένετε λίγα λεπτά για να στραγγίξουν τυχόν υπολείμματα λαδιού ή αέρα από το σωλήνα λαδιού.



ΕΓΓΥΗΣΗ

ΠΟΛΙΤΙΚΗ ΕΓΓΥΗΣΗΣ EGO

Επισκεφθείτε την ιστοσελίδα egopowerplus.eu για όλους τους όρους και τις προϋποθέσεις της πολιτικής εγγύησης EGO.

GR

TÜM TALİMATLARI OKUYUN!



KULLANIM KILAVUZUNU OKUYUN

UYARI: Emniyet ve güvenilirliği sağlamak için tüm tamir işleri yetkili bir servis teknisyeni tarafından yapılmalıdır.

UYARI: Bu aleti kullanmadan önce "TEHLİKE", "UYARI" ve "DİKKAT" gibi tüm güvenlik uyarı ve sembollerini içeren bu Kullanım Kılavuzundaki tüm güvenlik talimatlarını okuyup anladığınızdan emin olun. Aşağıdaki talimatların tamamına uyulmaması elektrik çarpması, yangın ve/veya ciddi yaralanma ile sonuçlanabilir.



Güvenlik Uyarısı



Koruyucu Gözlük Takın



Koruyucu Kask Takın



Motorlu testerenin geri tepmesine dikkat edin ve pala ucuyla temas etmekten kaçınınız



Pala hakkında bilgiler



Garanti edilen ses gücü seviyesidir. Avrupa Birliği Yönetmeliği'ne göre çevre gürültü emisyonu.



Bu ürün, yürürlükteki AB yönetmeliklerine uygundur.



Bluetooth®

mm Milimetre

V Voltaj

IPX5 Su jetlerine karşı koruma

TÜM UYARI VE TALİMATLARI GELECEKTE BAŞVURU AMACIYLA MUHAFAZA EDİN.

GÜVENLİK SEMBOLLERİ

UYARI: Elektrikli aletler kullanılırken yabancı nesnelere gözlerinize fırlayabilir ve bu da gözlerinize ciddi biçimde zarar verebilir. Elektrikli aleti kullanmaya başlamadan önce daima göz koruması veya yan siperleri olan koruyucu gözlük takın ve gerektiğinde tam yüz siperi kullanın. Gözlük üzerinde kullanım için Geniş Görüşlü Güvenlik Maskesi takmanızı veya yan siperleri olan standart koruyucu gözlük takmanızı öneririz.



Yaralanma riskini azaltmak için kullanıcı bu ürünü kullanmadan önce kullanım kılavuzunu okuyup anlamalıdır.



Kulak Koruması Takın



Koruyucu Eldiven Takın



Pala Ucu Geri Teper



Motorlu testereyi her zaman iki elinizle kullanın



Atık elektrikli ürünler, evsel atıklar ile birlikte bertaraf edilmemelidir. Yetkili bir geri dönüşüm merkezine teslim edilmelidir.



Bu ürün, yürürlükteki Birleşik Krallık yasalarına uygundur.



Doğru Akım

n_0 Yüksüz Hız

./min Dakika Başına

TR

TEKNİK ÖZELLİKLER

Nominal Voltaj	56V	
Maks. Zincir Hızı	30 m/sn.	
Zincir Adımı	8,255 mm / 0,325"	
Zincir Ölçüsü	1,3 mm	
Pala Uzunluğu	50 cm	
Testere Zinciri Modeli	AC2035 (Önerilen)	
	AC1635, AC1835 (Uyumlu)	
Testere Zinciri ve Pala Modeli	AK2035 (Önerilen)	
	AK1635, AK1835 (Uyumlu)	
Zincir Yağı Deposu Kapasitesi	250 ml	
Ağırlık (akü takımı, testere zinciri, pala, yan kapak, yağ ve zincir kapağı hariç)	4,3 kg	
Önerilen Çalışma Sıcaklığı	-15°C – 40°C	
Önerilen Depolama Sıcaklığı	-20°C – 70°C	
Önerilen Şarj Sıcaklığı	5°C – 40°C	
Ölçülen ses gücü seviyesi L _{WA}	102 dB(A)	
	K=2,3 dB(A)	
Çalışma pozisyonundaki ses gücü seviyesi L _{PA}	92 dB(A)	
	K=3 dB(A)	
Garanti edilen ses gücü seviyesi L _{WA} (2000/14/EC uyarınca)	104 dB(A)	
Titreşim a _n	Ön tutma kolu	3,3 m/sn. ² K=1,5 m/sn. ²
	Arka tutma kolu	1,74 m/sn. ² K=1,5 m/sn. ²

- Beyan edilen toplam titreşim değeri, standart test yöntemine uygun olarak ölçülmüştür ve bir aleti diğer bir alet ile karşılaştırmak için kullanılabilir.
- Beyan edilen toplam titreşim değeri, maruz kalma seviyesinin ilk değerlendirilmesi için de kullanılabilir.

DİKKAT: Elektrikli aletin fiili kullanımı sırasında oluşan titreşim emisyonu değeri aletin kullanım şekline bağlı olarak beyan edilen değerden farklı olabilir. Operatör korunmak için fiili kullanım koşullarında eldiven ve kulak koruması takmalıdır.

AMBALAJ İÇERİĞİ (ŞEK. A1)

AÇIKLAMA

MOTORLU TESTERENİZİ TANIYIN (ŞEK. A1)

1. Testere Zinciri
2. Zincir Geri Tepme Fren Kolu
3. Ön Tutma Sapı
4. LCD Ekran
5. Hız Seviyesi
6. Bluetooth Simgesi
7. Lamba Simgesi
8. Fren Simgesi
9. Yüksek Sıcaklık Göstergesi
10. Enerji Göstergesi Çemberi
11. Akım Yüklü Seviyesi
12. Düşük Yağ Göstergesi
13. Lamba/Bluetooth Düğmesi
14. Yağ Besleme Düğmesi
15. Yağ Çıkış Seviyesi
16. Kilitleme Düğmesi
17. Tetik
18. Arka Tutma Sapı
19. Zincir Hız Değiştirici
20. Akü Çıkarma Düğmesi
21. Yağ Gözlem Penceresi
22. Yağ Deposu Kapağı
23. Pala
24. Yağlama Deliği
25. Zincir Germe Cıvatası
26. Yan Kapak
27. Kilit Somunları
28. Saplama Uçları
29. LED Lamba
30. Zincir Kılıfı
31. Çok Amaçlı Anahtar

TR

MONTAJ

PALA VE ZİNCİRİ TAKMA/DEĞİŞTİRME

⚠ UYARI: Montajdan önce zincir geri tepme fren kolunu fren konumuna getirin.

1. Motorlu testerenin güç başlığını, yan kapağı yukarıya bakacak şekilde yan olarak yerleştirin (Şek. B).
2. İki kilit somununu saat yönünün tersine çevirerek yan kapağı çıkarın.
3. Zincir gerginliğini gevşetmek için zincir gerdirme civatasını saat yönünün tersine çevirin.
4. Testere zincirini halka halinde düz bir yüzey üzerine yerleştirin ve kıvrılmış yerleri düzeltin (Şek. C).
5. Zincir sürücüsü baklalarını pala oluşuna yerleştirin ve zinciri palanın arkasında bir halka haline getirin (Şek. D).
6. Zinciri pala üzerindeki konumunda tutun ve halkayı testere dişlisinin etrafına yerleştirin (Şek. E1).

B-1	Kilit Somunları	D-2	Pala Oluşu
B-2	Zincir Germe Civatası	E-1	Zincir Dişlisi
D-1	Zincir Sürücüsü Baklaları		

DİKKAT: Testere zincirini palaya geçirirken, palayı testereye monte ettikten sonra kesici yönünün gövde üzerindeki kesici simgesi ve dönüş yönü oku ile eşleştiğinden emin olun. Ters yönlere bakıyorsanız kesiciler aynı yöne bakacak şekilde testere zincirini tekrar palaya monte edin (Fig. E2).

7. Yan kapağı motorlu testere gövdesine yerleştirin ve her iki kontra somunu tamamen sıkın.
8. Zincirin sıkışmadan düzgün şekilde takılıp takılmadığını kontrol etmek için zinciri elle döndürün. Aksi halde zincir ve palayı yeniden birleştirin.

DİKKAT: Palanın ömrünü uzatmak için palayı ara sıra ters çevirin.

TR

ZİNCİR GERGINLIĞINI AYARLAMA

- Zincir gerginliğini ayarlamadan önce motoru durdurun ve aküyü çıkarın. Zincir gerginliğini ayarlamak için zincir, pala oluşundaki tahrik baklaları palaya sıkıca oturuncaya kadar zincir germe civatasını saat yönünde veya saat yönünün tersine çevirin (Şek. F).
- Soğuk bir zincir, palanın altında herhangi bir gevşeklik yoksa ve zincir tam oturmuş ancak kıvrılmadan elle çevrilebiliyorsa doğru gerginlikte demektir. Sürücü baklaları üzerindeki yassı parçalar pala oluşuna oturmuyorsa zincirin yeniden gerilmesi gerekiyor demektir.

- Normal testere çalışması sırasında, zincirin sıcaklığı artar. Doğru gerginlikteki sıcak bir zincirin sürücü bağlantılarını pala oluşundan yaklaşık 1,3 mm açığa asılı durur (Şek. G).

DİKKAT: Yeni zincir esnemeye meyillidir; sık zincir gerginliğini kontrol edin ve gerekirse gerdirin.

DİKKAT: Normal sıcaklıkta gerdiren bir zincir soğuduğunda fazla gergin olabilir. Bir sonraki kullanımdan önce soğuk gerginliği kontrol edin.

ÇALIŞTIRMA

⚠ UYARI: Bu ürüne karşı edindiğiniz alışkanlığın sizi dikkatsiz yapmasına izin vermeyin. Bir anlık dikkatsizliğin ciddi yaralanmalara sebep olabileceğini unutmayın.

⚠ UYARI: Bu ürünün üreticisi tarafından önerilmeyen herhangi bir aparatı veya aksesuarı kullanmayın. Tavsiye edilmeyen aksesuarların veya aparatların kullanımı ciddi yaralanmalara sebep olabilir.

⚠ UYARI: Yanlışlıkla çalışarak ciddi yaralanmalara neden olmasını önlemek için parçaları monte ederken, ayar yaparken, temizlikten önce ve ürün kullanımda değilken daima aküyü aletten çıkarın.

Her kullanımdan önce ürünü inceleyerek vida, somun, civata, kapak gibi parçaların hasarlı, eksik veya gevşek olup olmadığını kontrol edin. Tüm bağlantı parçalarını ve kapakları sağlam bir şekilde sıkın ve bu ürünü eksik veya hasarlı parçaların hepsini değiştirmeden çalıştırmayın.

KULLANIM ALANLARI

Bu ürün temel ağaç kesimi, dal kesme, budama ile kereste ve ağaç kesme işleri için kullanılabilir.

DİKKAT: Bu makine sadece belirtilen kullanım amaçlarına uygun kullanılmalıdır. Diğer kullanım şekilleri hatalı kullanım olarak kabul edilir.

PALA VE ZİNCİR YAĞINI DOLDURMA

⚠ UYARI: Yağın veya motorlu testerenin yakınında sigara içmeyin veya herhangi bir ateş veya alev kaynağını bunların yanına getirmeyin. Yağ sıçrayabilir ve yangına neden olabilir.

DİKKAT: Satın alındığında motorlu testerede yağ bulunmaz. Kullanmadan önce deponun yağ ile doldurulması gerekir. Cihaz çalışırken zincir otomatik olarak yağlanır.

1. Motorlu testereyi, depo kapağı yukarıya bakacak

şekilde yan olarak yerleştirin.

- Yağ deposu kapağı ile kapak çevresindeki alanı temizleyerek yağ deposuna herhangi bir pisliğin düşmediğinden emin olun.
- Yarım daire plakayı kaldırın ve yağ deposu kapağını saat yönünün tersine çevirerek çıkarın (Şek. H).
- Pala ve zincir yağını dikkatle depoya dökün. Doldurma ağzının altına kadar doldurun.
- Taşan yağ varsa silin ve kapağı yerine takın.

DİKKAT: Yağ seviyesini sık sık kontrol edin ve yağ seviyesi minimum çizgisinin altına düştüğünde yağ doldurun. Yağ görünmüyorsa motorlu testereyi hiçbir zaman çalıştırmayın.

AKÜYÜ TAKMA/ÇIKARMA

NOT: LCD ekrandaki enerji göstergesi çemberi akü şarj seviyesini gösterir (Şek. A1). Akü şarjı bitmeye yaklaştığında çember yanıp söner. İlk kullanımdan önce akü takımını tamamen şarj edin.

Sadece Şek. A2'de listelenen EGO marka aküleri ve şarj cihazlarını kullanın.

İlk kullanımdan önce tamamen şarj edin.

Takmak İçin

Akü dişleri ile montaj yuvalarını hizalayın ve bir "tık" sesi duyana kadar aküyü bastırın (Şek. I).

Çıkarmak İçin

Akü çıkarma düğmesine basın ve aküyü çekip çıkarın (Şek. J).

MOTORLU TESTEREYİ ÇALIŞTIRMA/DURDURMA

DİKKAT: Motorlu testereyi çalıştırmadan önce yağ seviyesini, testere dişlerinin keskinliğini ve geri tepme fren kolunun düzgün çalıştığını kontrol edin. Bunların yanı sıra, dengeli bir duruş ve yerden uygun bir mesafe sağlanması gerekir.

Çalıştırmak için (Şek. K)

- Zincir geri tepme fren kolunu ön kola doğru iterek çalışma konumuna getirin (Şek. K).
- Ön tutma kolunu sol elinizle ve arka tutma kolunu sağ elinizle sıkıca tutun.

UYARI: Yaralanmayı önlemek için motorlu testereyi her zaman sağ elinizle arka tutma kolunun kavrama alanından tutarak kullanın (Şek. L).

- Kilitleme düğmesini sağ elinizin baş parmağıyla basılı

tutun ve ardından testereyi çalıştırmak için sağ elinizin parmaklarıyla tetiği sıkın. (Şek. L).

L-1	Kavrama Alanı
-----	---------------

- Kilitleme düğmesini bırakın ve sürekli kullanım için tetiğe basmaya devam edin.
- Tetiğe ne kadar fazla basılırsa zincir hızı da o kadar artar. Yapacağınız işe uygun şekilde hızı ayarlayın.

UYARI: Testereyi bir kesğin içindeyken başlatmayın.

Durdurmak için

- Motorlu testereyi kesme alanından uzaklaştırın ve ardından motorlu testereyi durdurmak için tetiği bırakın.
- Zincir frenini devreye sokmak için zincir geri tepme fren kolunu ileri doğru iterek fren konumuna getirin (Şek. K).

UYARI: Mola verdiğinizde ve işi bitirdikten sonra daima aküyü makineden çıkarın.

HIZ MODUNU DEĞİŞTİRME (ŞEK. M)

Bu makine üç hız moduna sahiptir. Her hız modu, motorlu testerenin maksimum hızını sınırlar. Hız modu, zincir hızı değiştiricisine her basıldığında değişir.

LCD ekrandaki hız seviyesi aktif hız modunu gösterir: düşük hız için bir çubuk, orta hız için iki çubuk ve yüksek hız için üç çubuk. Düşük hız modu (ECO), makinenin daha iyi kontrol edilmesini ve şarj başına daha uzun çalışma süresi sağlar.

M-1	Hız Seviyesi	M-7	Akım Yükü Seviyesi
M-2	Bluetooth Simgesi	M-8	Lamba/Bluetooth Düğmesi
M-3	Lamba Simgesi	M-9	Yağ Besleme Düğmesi
M-4	Fren Simgesi	M-10	Zincir Hız Değiştirici
M-5	Yüksek Sıcaklık Göstergesi	M-11	Yağ Çıkış Seviyesi
M-6	Enerji Göstergesi Çemberi	M-12	Düşük Yağ Göstergesi

NOT: 4.0Ah veya daha düşük değerlerde EGO akü takımı

kullanırken sadece ECO modu kullanılabilir. Ve 6.0Ah değerinden daha düşük EGO akü takımı kullanılırken yüksek hızlara ulaşamazsınız. En iyi performans için 6.0Ah (BA3360T gibi) veya üzeri değerlerde EGO akü takımlarının kullanılmasını şiddetle öneririz.

NOT: Zincirli testere zincir hızı hafıza işlevine sahiptir. Motorlu testerenin bir sonraki çalıştırılışında önceden kullanılan hız modu etkinleştirilecektir.

NOT: Tetik çekildiğinde veya yağ besleme düğmesine ya da lamba/Bluetooth düğmesine basıldığında LCD ekran aydınlanır. Varsayılan olarak, LCD ekran yaklaşık 1 saniye işlem yapılmadığında otomatik olarak kapanır.

NOT: Zincir hızı değiştiricisine basıldığında LCD ekran açılmaz.

YÜK SEVİYESİ (Şek. M)

LCD ekranın sağ tarafındaki yük seviyesi makinedeki mevcut yükü gösterir. Daha fazla çubuk sayısı daha yüksek yükü, daha az çubuk sayısı ise daha düşük yükü gösterir.

Bu özellikle öncelikli olarak benzinle çalışan motorlu testereerde deneyimli olan ancak akülü testerenin farklı yükler altında nasıl davrandığını "hissedemeyen" kullanıcılar için tasarlanmıştır. Ağır yük altında uzun süre çalışmayı önlemek için kullanıcıların iş yükünü izlemesine yardımcı olur, bu da zincirli testerenin çalışma sırasında aşırı ısınma nedeniyle durmasına neden olabilir.

YÜKSEK SICAKLIK GÖSTERGESİ (Şek. M)

Yüksek sıcaklık göstergesi, makine sıcaklığı 90°C'yi (194°F) aştığında veya çalışma sırasında akü sıcaklığı 70°C'yi (158°F) aştığında yanar. Sıcaklık koruma devresi, aşırı ısınma hasarı oluşmasını önlemek için makineyi derhal kapatır. Tetiği bırakın ve aşırı ısınan makine veya akü soğuyana ve yüksek sıcaklık göstergesi kapanana kadar bekleyin, ardından makineyi yeniden başlatın.

TR

FREN SİMGESİ (Şek. M)

Fren pedalı fren konumundayken LCD ekranda fren simgesi görünür.

Omni (her yöne) zincir freni sistemi testereyi durdurduğunda fren simgesi yanıp söner. Ayrıntılı bilgi için bir sonraki bölüme bakın.

OMNİ (HER YÖNE) ZİNCİR FRENİ SİSTEMİ (Şek. N1 ve Şek. N2)

Omni (her yöne) zincir freni sistemi, standart/geleneksel zincir freninin yerini almak üzere tasarlanmamıştır. Kullanıcı, testerenin çalışması sırasında geri tepmelere karşı korunmak için asla bu özelliğe güvenmemelidir. Bu

kılavuzun uyarı bölümünde bulunan geri tepmeyi azaltma ile ilgili güvenlik talimatlarına her zaman uyun.

Omni (her yöne) zincir freni sistemi etkinleştirildiğinde ve testereyi durdurduğunda LCD ekrandaki fren simgesi yanıp söner (Şek. M). Tetiği bırakın, testere zincirini ve palayı aşıptan çıkarın, ardından testereyi yeniden başlatın.

NOT: Sensörler sadece pala düzlemindeki ani testere hareketini algılar (Şek. N1). Sensörler testerenin yanlara doğru ani hareketini algılamaz (Şek. N2) (ör. pala düzlemine dik olan hareketler).

YAĞ ÇIKIŞ SEVİYESİ VE DÜŞÜK YAĞ GÖSTERGESİ (Şek. M)

Makine zinciri otomatik olarak yağlar. Bu motorlu testere, yağ besleme düğmesine her bastığınızda yağ çıkış hızını değiştirmenizi sağlar.

NOT: Yağ çıkış hızı yalnızca testere zinciri çalışırken değiştirilebilir.

LCD ekrandaki yağ çıkış seviyesi, yağ çıkış hızını gösterir. Düşük çıkış hızı için bir çubuk, orta çıkış hızı için iki çubuk ve yüksek çıkış hızı için üç çubuk gösterilir.

Daha hızlı zincir hızı için daha yüksek bir çıkış hızı seçin. Testere zinciri çalışma sırasında kurursa motoru durdurun ve daha yüksek bir yağ çıkış hızı seçin.

Yağ seviyesi düşük olduğunda, LCD ekranda yağ çıkış çubuklarının üzerinde düşük yağ göstergesi görünür ve yalnızca düşük çıkış hızı mevcut olur. Motorlu testereyi durdurun ve **PALA VE ZİNCİR YAĞLAYICIYA YAĞ DEPOSUNU DOLDURMA** bölümünü izleyerek yağ deposunu yeniden doldurun.

Yağ deposunu doldurduktan sonra otomatik yağlama sisteminin çalışmaya başlaması için motorlu testereyi yaklaşık 10 saniye çalıştırın, gösterge LCD ekrandan kaybolacaktır.

DİKKAT: Yukarıdaki adımları uyguladıktan sonra gösterge hala LCD ekranda görünüyorsa sistem hasar görmüş olabilir. Zincirli testereyi kullanmayı bırakın ve onarım için EGO yetkili servis merkezine iletişime geçin.

LED LAMBA (Şek. O)

LED lamba, motorlu testere yuvasının ön tarafında bulunur. Lamba, daha fazla görüş için aydınlatma sağlar ve 2 parlaklık seviyesine sahiptir.

Lambayı açmak için lamba/Bluetooth düğmesine (Şek. M) bir kez basın. Lamba düşük parlaklık seviyesinde yanar ve LCD ekranda düşük parlaklıkta lamba simgesi görünür. Yüksek parlaklık seviyesine geçmek için lamba/Bluetooth düğmesine tekrar basın ve LCD ekranda yüksek parlaklıkta lamba simgesi görünür.

Lambayı kapatmak için lamba/Bluetooth düğmesine üçüncü kez basın, lamba simgesi LCD ekrandan kaybolacaktır.

0-1	Düşük Parlaklıkta Lamba Simgesi	0-3	LED Lamba
0-2	Yüksek Parlaklıkta Lamba Simgesi		

İLETİŞİM TEKNOLOJİSİ

Bağlantı talimatları dahil tüm bağlı ürün ve hizmetlerimiz hakkında bilgi almak için lütfen aşağıdaki QR Kodunu tarayın veya www.egopowerplus.eu/connect adresini ziyaret edin.



TUTMA KOLLARINI DOĞRU TUTUŞ ŞEKLİ (ŞEK. P1)

- Maksimum düzeyde tutuş ve koruma için kaymayan eldiven takın.
- Testere sağlam, düz bir yüzey üzerindeyken testereyi her iki elinizle birden sağlam şekilde tutun.
- Daima ön kolu sol elinizle ve arka kolu sağ elinizle tutun.
- Baş parmağınızı ön tutma kolunun alt kısmına getirip parmaklarınızla tutma kolunu sıkıca kavramalısınız.

⚠ UYARI: Asla sol elinizle (çapraz tutuş) tutmayın veya vücudunuzu ya da kolunuzu zincir hattına sokacak bir şekilde durmayın.

⚠ UYARI: Tetiği sol elinizle çalıştırmayın ve ön tutma kolunu sağ elinizle tutmayın. Motorlu testereyi kullanırken asla vücudunuzun hiçbir bölümünü zincir hattına sokmayın (Şek. P2).

DOĞRU KESİM DURUŞU (ŞEK. Q)

- Her iki ayağınızı yere sağlam biçimde basmalı ve ağırlığınızı iki ayağınıza eşit olarak paylaştırmalısınız.
- Sol kolunuz düz, dirseğiniz kilitlenmiş olmalıdır. Bu, geri tepme sonucu oluşan kuvvetlere dayanmanıza yardımcı olur.

- Vücudunuz daima zincir hattının solunda olmalıdır.

DOĞRU AĞAÇ KESİMİ, DAL KESİMİ VE ENİNE KESİM TEKNİKLERİNE İLİŞKİN TALİMATLAR

⚠ UYARI: Daima bastığınız yerlerin sağlam olduğundan emin olun ve motor çalışırken testereyi her iki elinizle sağlam şekilde tutun.

⚠ UYARI: Kesim sırasında sıkışma nedeniyle testere zinciri durursa, tetik düğmesini bırakın; testere zincirini ve palayı aşıptan çıkarın, ardından testereyi yeniden başlatın.

⚠ UYARI: Testere tozu nedeniyle sıkışmış durumdaki testere zincirini elinizle çekmeyin. Testere kazara çalışırsa ciddi yaralanmaya neden olabilir. Testereyi aşıba doğru bastırın, testereyi ileri geri hareket ettirerek talaşın boşalmasını sağlayın. Cihazı temizlemeden önce daima aküyü çıkarın. Testerenin zincirine dokunacaksanız dayanıklı koruyucu eldiven giyin.

⚠ UYARI: Asla testereyi aşıp ile temas halindeyken çalıştırmayın. Testereyi aşıba dokundurmadan önce daima testere zincirinin tam hıza ulaşmasını bekleyin.

AĞAÇ KESİMİ

- Aynı anda iki veya daha fazla kişi tarafından ağaç kesme ve parçalama işlemleri yapılırken, ağaç kesme işlemi ile parçalama işlemi arasında en az kesilen ağacın yüksekliğinin iki katı kadar mesafe bırakılmalıdır. Kesilen ağaçlar bir insanı tehlikeye atacak, herhangi bir hizmet hattına çarpacak ya da mal hasarına neden olacak şekilde devrilmemelidir. Ağacın herhangi bir elektrik hattına temas etmesi halinde elektrik dağıtım şirketine derhal haber verilmelidir.
- Kesilen ağacın devrildikten sonra yokuş aşağı yuvarlanma veya kayma ihtimali olduğundan, testere operatörü arazinin yokuş yukarı kısmında durmalıdır.
- Kesim yapmaya başlamadan önce bir kaçış yolu planlanmalı ve gerektiği şekilde temizlenmelidir. Kaçış yolu Şek. R'de gösterildiği gibi hesaplanan düşme hattının arkasına doğru çapraz olarak uzamalıdır.

R-1	Devrilme Yönü
R-2	Güvenlik Kaçış Yolu

- Ağaç kesme işlemi başlamadan önce, ağacın düşeceği yönü belirlemek için ağacın doğal eğimini, büyük dalların konumunu ve rüzgar yönünü göz önüne alın
- Kir, taş, gevşemiş kabuk, çivi, kanca ve teller

ağaçtan çıkarılmalıdır.

Alt çentik kesimi

Şek. S'de gösterildiği gibi devrilme yönüne dik olarak, ağaç çapının 1/3'ü kadar bir çentik açın. İlk olarak alttaki yatay çentiği açın. Bu sayede, ikinci çentik açılırken testere veya palanın sıkışması önlenmiş olur.

S-1	Düşme Yönü	S-3	Devirme Kesimi
S-2	Çentik	S-4	Mafsalsal

Devirme kesimi

- Devirme kesimini, Şek. S'de gösterildiği gibi yatay çentik kesiminden en az 50 mm daha yüksekte yapın. Devirme kesimini yatay çentik kesimine paralel olarak yapın. Devirme kesimini yaparken bir mafsalsal işlevi görece kadar yeterli ahşap kalmasını sağlayın. Mafsalsal ağacın yanlış yönde dönmesini ve düşmesini önler. Mafsalsal sonuna kadar kesmeyin.
- Devrilme kesimi mafsalsal yaklaştıkça ağaç düşmeye başlamalıdır. Ağacın istenilen yöne düşmemesi veya geriye doğru sallanması ve testere zincirini sıkıştırması ihtimali varsa, devirme kesimini tamamlamadan kesimi durdurun ve ağaç, plastik veya alüminyum takozlar kullanarak kesiyi açın ve ağacı istenilen düşme hattı yönüne düşürün.
- Ağaç düşmeye başladığında, testereyi kesikten çıkarın, motoru durdurun, testereyi yere bırakın ve ardından planlanan kaçış yolunu kullanın. Yukarıdan düşebilecek dallara karşı dikkatli olun ve bastığınız yere dikkat edin.

Ağacın budanması

Budama, devrilen bir ağacın dallarının kesilmesidir. Budama sırasında, kütüğü zeminden yukarıda tutmak için alttaki büyük dalları bırakın. Küçük dalları Şek. T'de gösterilen şekilde bir defada kesin. Testerenin sıkışmasını önlemek için gerilim altındaki dallar aşağıdan yukarıya doğru kesilmelidir.

Kütük kesme

Kütük kesme, bir kütüğü belirli uzunluklarda kesme işlemidir. Bastığınız yerin sağlam olduğundan emin olmanız ve ağırlığınızı her iki bacağınıza eşit olarak dağıtmanız önemlidir. Mümkünse, ağaç dalları, kütükler veya takozlar ile kütük havaya kaldırılmalı ve desteklenmelidir. Kolay kesim için temel yönergeleri izleyin.

Kütük, Şek. U1'de gösterildiği gibi tüm uzunluğu boyunca destekleniyorsa üstten kesim yapın.

Kütük, Şek. U2'de gösterildiği gibi tek bir uçtan destekleni-

yorsa çapın 1/3'ü kadar alttan kesim yapın. Ardından ilk kesikle buluşacak şekilde üstten kesim yaparak son kesiyi yapın.

Kütük, Şek. U3'de gösterildiği gibi her iki uçtan destekleniyorsa çapın 1/3'ü kadar üstten kesim yapın. Ardından ilk kesikle buluşacak şekilde alttan 2/3'ü kadar kesim yaparak son kesiyi yapın.

Eğimli arazide kesim yaparken, daima Şek. V'de gösterildiği gibi kütüğün yukarı kısmında durun.

"Boydan boya kesim" yaparken, tam kontrol sağlamak için testere kollarını sıkıca kavrayarak kesimin sonuna doğru kesim basıncını serbest bırakın. Zincirin zemine temas etmesine izin vermeyin. Kesimi tamamladıktan sonra, testereyi hareket ettirmeden önce zincirin durmasını bekleyin. Bir ağaçtan diğerine geçmeden önce daima motoru durdurun.

BAKIM

UYARI: Bakım yaparken sadece orijinal yedek parçaları kullanın. Diğer parçaların kullanılması tehlike oluşturabilir veya ürünün hasar görmesine neden olabilir. Emniyet ve güvenilirliği sağlamak için tüm tamir işleri yetkili bir servis teknisyeni tarafından yapılmalıdır.

UYARI: Ciddi yaralanmalardan kaçınmak için incelemeyin, temizlemeden veya bakım yapmadan önce her zaman akü takımını üründen çıkarın. Akü ile çalışan bir aletin aküsü takılıysa bu alet daima açık konumdadır ve kazara çalışabilir.

UYARI: Motorlu testereyi temizlerken, su veya diğer sıvıların içine DALDIRMAYIN.

UYARI: Fren sıvıları, benzin, petrol bazlı ürünler, nüfuz eden yağlar gibi ürünlerin plastik parçalara hiçbir zaman temas etmesine izin vermeyin. Kimyasal maddeler plastik parçalara hasar verebilir, bu tür parçaları zayıflatabilir veya parçalayabilir ve bu durum ciddi yaralanmalara neden olabilir.

TEMİZLİK

- Her kullanımdan sonra yumuşak bir fırça ile zincir ve paladaki talaşları temizleyin. Motorlu testerenin yüzeyini, yumuşak sabun çözümü ile nemlendirilmiş, temiz bir bezle silin.
- Yan kapağı çıkarın ve ardından yumuşak bir fırça kullanarak paladaki, zincirdeki, dişlerdeki ve yan kapaktaki talaşı temizleyin.

- Yaklaşık her 8 saatlik çalışmadan sonra alt kapağı çıkarın ve ardından makinenin içindeki ve kapak üzerindeki kalıntıları temizlemek için yumuşak bir fırça kullanın (Şek. W).
- Testere zincirini değiştirirken daima pala oluğundaki ahşap talaşları, tozu ve kirleri temizleyin.

PALANIN BAKIMI

Pala aşınma belirtileri gösterdiğinde, motorlu testerenin güç başlığından sökün ve yeniden takmak için ters çevirin (Şek. X1). Bu şekilde, palanın kullanım ömrünü en yükseğe çıkarmak için aşınma dağıtılır.

Pala kullanıldığı her gün temizlenmeli, aşınma ve hasara karşı kontrol edilmelidir (Şek. X2). Pala raylarında tüylenme veya çapaklanma oluşması, palanın aşınma sürecinde normaldir. Bu tür bozulmalar oluşur oluşmaz bir eğe ile düzeltilmelidir. Aşağıdaki bozukluklardan herhangi biri bulunan pala değiştirilmelidir.

- Pala raylarının içinde, zincirin yanlara doğru kaymasına neden olan aşınma.
- Eğik pala.
- Çatlak veya kırık raylar.
- Ayrık raylar.

Ayrıca palanın ucunda da bir dişli bulunmaktadır (Şek. X3).

Palanın ömrünü uzatmak için, dişli bir yağ enjektörüyle haftada bir yağlanmalıdır. Bir yağ enjektörü kullanarak, yağ deliğinden zincir yağı ile haftada bir yağlayın (Şek. W4). Palayı çevirin ve yağlama delikleri ile zincir oluğunda kirlenme olup olmadığını kontrol edin.

X-1	Pala Rayları	X-3	Yağlama Deliği
X-2	Pala Ucundaki Dişli		

DİKKAT: En iyi sonuçlar için EGO onaylı yağlayıcıları kullanın.

TAŞIMA VE DEPOLAMA

Motorlu testereyi çalışır durumdayken depolamayın veya taşımayın. Depolamadan veya taşımadan önce daima aküyü çıkarın.

Motorlu testereyi taşımadan veya saklamadan önce daima pala ve zincirin üzerine pala kapağını takın. Zincirin keskin dişlerine karşı dikkatli olun.

Motorlu testereyi depolamadan önce tamamen temizleyin. Motorlu testereyi kilitli ve/veya çocukların ulaşamayacağı, kapalı ve kuru bir yerde depolayın.

Bahçe kimyasalları ve buz eritici tuzlar gibi aşındırıcı maddelerden uzak tutun.

ÇEVRE KORUMASI



Elektrikli cihazları, kullanılmış aküleri ve şarj cihazını evsel atıklarla bertaraf etmeyin!

Bu ürünü yetkili bir geri dönüşüm merkezine götürün ve ayrı bir şekilde toplanmasını sağlayın. Elektrikli aletler çevreyle uyumlu bir geri dönüşüm tesisine götürülmelidir.

SORUN GİDERME

⚠ UYARI: Testere zinciri üzerinde herhangi bir bakım işlemi gerçekleştirirken daima dayanıklı eldivenler takarak ellerinizi koruyun. Motorlu testereyi taşıırken veya bakım/onarım yaparken daima aküyü çıkarın.

SORUN	NEDENİ	ÇÖZÜM
Motor çalışmıyor.	<ul style="list-style-type: none">■ Akü, motorlu testereye takılı değildir.■ Testere ile akü takımı arasında elektrik teması yoktur.■ LCD ekrandaki enerji göstergesi çemberi yanıp sönüyorsa akü takımı bitmiştir.■ LCD ekranda yüksek sıcaklık göstergesi çıkıyorsa akü takımı veya motorlu testere çok sıcaktır.■ LCD ekranda zincir freni simgesi görünüyorsa zincir freni devrededir.■ Pala oluğunda kalıntılar vardır.■ Yan kapak içerisinde talaş artıkları var.	<ul style="list-style-type: none">■ Aküyü motorlu testereye takın.■ Aküyü çıkarın, temas noktalarını kontrol edin ve aküyü yeniden takın.■ Akü takımını şarj edin.■ Akü veya testerenin 67°C'nin altına düşüncüye kadar soğumasını bekleyin.■ Zincir geri tepme fren kolunu ön kola doğru geri iterek çalışma konumuna getirin.■ Testereyi aşıba doğru bastırın, testereyi ileri geri hareket ettirerek talaşın boşalmasını sağlayın.■ Aküyü çıkarın, ardından yan kapağı çıkarın ve talaş artıklarını temizleyin.
Hız modu değiştirilemez.	<ul style="list-style-type: none">■ Zincir hız değiştirici kalıntılardan sıkışmış.	<ul style="list-style-type: none">■ Zincir hız değiştirici etrafındaki kalıntıları temizleyin.
Zincirli testere çalışma sırasında beklenmedik bir şekilde çalışmayı durduruyor.	<ul style="list-style-type: none">■ Motorlu testere aşırı yüküdür.■ LCD ekranda yüksek sıcaklık göstergesi çıkıyorsa akü takımı veya motorlu testere çok sıcaktır.■ Testere zinciri aşıba içerisinde sıkışmıştır.■ LCD ekranda zincir freni simgesi yanıp sönüyorsa testere omni (her yöne) zincir freni sistemi tarafından durdurulur.	<ul style="list-style-type: none">■ Yükü azaltın.■ Akü veya testerenin 67°C'nin altına düşüncüye kadar soğumasını bekleyin.■ Tetik düğmesini bırakın; testere zincirini ve palayı aşıba çıkarın, ardından testereyi yeniden başlatın.■ Tetik düğmesini bırakın; testere zincirini ve palayı aşıba çıkarın, ardından testereyi yeniden başlatın.
Motor çalışıyor, ancak zincir dönmüyor.	<ul style="list-style-type: none">■ Zincir, sürücü dişlisine geçmemiştir.	<ul style="list-style-type: none">■ Zincir üzerindeki sürücü bağlantılarının tam olarak sürücü dişlisine oturduğundan emin olarak zinciri yeniden takın.

SORUN	NEDENİ	ÇÖZÜM
Zincir freni devreye girmiyor.	<ul style="list-style-type: none"> Zincir geri tepme fren kolunun tam hareketi talaş artıkları tarafından engelleniyordur. Muhtemel zincir freni arızası. 	<ul style="list-style-type: none"> Dış zincir freni mekanizmasındaki talaş artıklarını temizleyin. Tamir için EGO Müşteri Hizmetleri ile irtibata geçin.
Motorlu testere düzgün kesmiyor.	<ul style="list-style-type: none"> Yetersiz zincir gerginliği. Zincir körelmiştir. Zincir geriye doğru takılmıştır. Zincir aşınmıştır. Zincir kurumuş veya aşırı gerilmiştir. Zincir pala oluğu içerisinde değildir. 	<ul style="list-style-type: none"> Aşağıdaki bölüme uygun olarak zincir gerginliğini yeniden ayarlayın: "ZİNCİR GERGINLİĞİNİ AYARLAMA". Zinciri keskinleştirin. "PALA VE ZİNCİRİ TAKMA/DEĞİŞTİRME" bölümüne uygun olarak testere zincirini yeniden takın. Aşağıdaki bölüme uygun olarak zinciri değiştirin: "PALA VE ZİNCİRİ TAKMA/DEĞİŞTİRME" Yağ seviyesini kontrol edin. Yağ deposunu yeniden doldurun ve gerekirse daha yüksek bir yağ besleme hacmi seçin. Aşağıdaki bölüme uygun olarak zinciri yeniden takın: "PALA VE ZİNCİRİ TAKMA/DEĞİŞTİRME".
Normal kullanım sırasında zincir gevşiyor veya paladan düşüyor.	<ul style="list-style-type: none"> Normal testere çalışması sırasında zincirin sıcaklığı arttıkça zincir gevşer. Zincir, sürücü dişlisine geçmemiştir. 	<ul style="list-style-type: none"> "ZİNCİR GERGINLİĞİNİ AYARLAMA" bölümüne uygun olarak zincir gerginliğini ayarlayın. Aşağıdaki bölüme uygun olarak zinciri yeniden takın: "PALA VE ZİNCİRİ TAKMA/DEĞİŞTİRME".
Pala ve zincir ısınıyor ve duman çıkarıyor.	<ul style="list-style-type: none"> LCD ekranda düşük yağ göstergesi görünüyorsa zincir yağı deposu boştur. Pala oluğunda birikintiler vardır. 	<ul style="list-style-type: none"> Yağ seviyesini kontrol edin. Gerekirse yağ deposunu doldurun. Oluktaki talaş artıklarını temizleyin.
Yağ deposunda yeterli yağ olduğunda veya tam tersi durumda LCD ekranda düşük yağ göstergesi görünür. Ya da yağ deposunda yağ az olsa bile, LCD ekran düşük yağ göstergesini göstermez.	<ul style="list-style-type: none"> Yağ borusunda kalan yağ veya hava nedeniyle yağ seviyesi algılama bileşeni henüz gerçek yağ seviyesini tespit edemedi. Yağ seviyesi algılama bileşeni hatası. 	<ul style="list-style-type: none"> Yağ borusundan kalan yağın veya havanın boşalması için birkaç dakika bekleyin.

TR

GARANTİ

EGO GARANTİ POLİTİKASI

EGO Garanti Politikasına ilişkin tüm hükümler ve koşullar için lütfen egopowerplus.eu adresindeki web sitesini ziyaret edin.

LUGEGE KÕIKI JUHISEID!



LUGEGE KASUTUSJUHENDIT

! HOIATUS! Turvalisuse ja vastupidavuse tagamiseks peab kõiki parandustöid läbi viima kvalifitseeritud hooldustehnik.

! HOIATUS! Enne käesoleva seadme kasutamist lugege kindlasti läbi ja tehke endale selgeks kõik kasutusjuhendis toodud ohutusjuhised, sh kõik ohutussümbolid, nagu „OHT,“ „HOIATUS,“ ja „ETTEVAATUST“. Kui allpool loetletud juhiseid ei järgita, võib tagajärjeks olla elektrilöök, tulekahju ja/või raskeid kehavigastused.



Ohutusteade



Kandke kaitseprille



Kandke tugevat peakatet



Pöörake tähelepanu kettsae tagasilöögile ja vältige kokkupuudet juhtlati otsaga



Teeve juhtlati kohta



Garanteeritud helivõimsuse tase. Seadme müra keskkonnas on Euroopa Ühenduse direktiiviga vastavuses.



Toode vastab kohaldatavatele EÜ direktiividele.

ET



Bluetooth®

mm Millimeeter

V Pinge

IPX5 Kaitse veejuga eest

SÄILITAGE HOIATUSED JA JUHISED HILISEMAKS KASUTUSEKS.

OHUTUSSÜMBOLID

! HOIATUS! Mis tahes elektriliste tööriistade kasutamine võib põhjustada võõrkehade paiskumist silma, mis võib tekitada tõsiseid silmakahjustusi. Elektriliste tööriistade kasutamise ajal kandke alati kaitseprille või külgkaitsetega kaitseprille ja vajadusel täielikku näokaitset. Soovitame kanda prillide peal laia vaatealaga kaitsemaski või standardseid külgkaitsetega kaitseprille.



Vigastusohu vähendamiseks peab kasutaja enne toote kasutamist lugema kasutusjuhendit ja selle endale selgeks tegema.



Kasutage kuulmiskaitsevahendeid



Kandke kaitsekindaid



Juhtlati tipu tagasilöök



Kasutage kettsaagi alati kahe käega



Elektriseadmete jäätmeid ei tohi visata olmejäätmete hulka. Viige volitatud taaskäitleja juurde.



Toode vastab kohaldatavatele Ühendkuningriigi õigusaktidele.



Alalisvool

n_v Tühikäigu kiirus

./min Minutis

TEHNILISED ANDMED

Nimipinge	56V	
Max Keti kiirus	30 m/s	
Ketisamm	8,255 mm / 0,325"	
Keti mõõdik	1,3 mm	
Juhtlati pikkus	50 cm	
Saeketi mudel	AC2035 (soovitatav)	
	AC1635, AC1835 (Ühilduv)	
Saeketi ja juhtlati mudel	AK2035 (soovitatav)	
	AK1635, AK1835 (Ühilduv)	
Keti õlipaagi maht	250 ml	
Kaal (ilma akuploki, saeketi, juhtlati, küljekatte, õli ja ketikaitsmeta)	4,3 kg	
Soovituslik töökeskkonna temperatuur	-15°C – 40°C	
Soovituslik hoiustamise temperatuur	-20°C – 70°C	
Soovitatav laadimistemperatuur	5°C – 40°C	
Mõõdetud helivõimsuse tase L_{WA}	102 dB(A) K=2,3 dB(A)	
Helirõhk seadme tööasendis L_{PA}	92 dB(A) K=3 dB(A)	
Garanteeritud helivõimsuse tase L_{WA} (2000/14/EÜ kohaselt)	104 dB(A)	
Vibratsioon a_n	Eesmine käepide	3,3 m/s ² K=1,5 m/s ²
	Tagumine käepide	1,74 m/s ² K=1,5 m/s ²

- Esitatud vibratsioonitaseme näit on mõõdetud standardsete testmeetodite kohaselt ja seda võib kasutada erinevate tööriistade võrdlemiseks.
- Esitatud vibratsioonitaseme näitu võib kasutada ka algse kokkupuutehinnangu andmiseks.

MÄRKUS! Tegelikul kasutamisel tekkev vibratsioonitase võib esitatust erineda; turvalisuse eesmärgil peaks seadme kasutaja tegelikes kasutustingimustes kandma kindaid ja kuulmiskaitsmeid.

PAKENDI LOEND (JONIS A1)

KIRJELDUS

TUNDKE OMA KETTSAAGI (joonis A1)

1. Saekett
2. Keti tagasilöögiduri laba
3. Eesmine käepide
4. LCD-ekraan
5. Kiirustase
6. Bluetoothi ikoon
7. Esitule ikoon
8. Piduri ikoon
9. Kõrge temperatuuri indikaator
10. Kütusenäidiku ring
11. Laetuse praegune tase
12. Madala õlitase indikaator
13. Esitule-/Bluetoothinupp
14. Õli sөөturi nupp
15. Õli väljundtase
16. Lukustusnupp
17. Päästik
18. Tagumine käepide
19. Ketikiiruse lüüti
20. Akuvabastusnupp
21. Õlinivoo kontrollaken
22. Õlipaagi kork
23. Juhtlatt
24. Määrdeava
25. Keti pingutuspol
26. Küljekate
27. Lukustusmutrid
28. Hambuline tugiraud
29. LED-esituli
30. Keti kaitse
31. Multivõti

KOKKUPANEK

JUHTLATI JA KETI KOKKUPANEK/ VÄLJAVAHETAMINE

⚠ HOIATUS! Enne seadme kokkupanekut seadke keti tagasilöögiduri hoob pidurdusasendisse.

ET

1. Pange kettsae toitepea külili nii, et küljekate jääks ülespoole (joonis B).
2. Eemaldage küljekate, keerates kahte lukustusmutrit vastupäeva.
3. Keti pinge lõdvendamiseks keerake keti pingutuspolti vastupäeva.
4. Seadke saekett siledal pinnal silmuseks ja tõmmake väänded jms sirgeks (joonis C).
5. Asetage keti veolülid juhtlati soonde ja lükake kett juhtlati tagaosast lati peale (joonis D).
6. Hoidke ketti juhtlatil paigal ja asetage silmus ümber sae ketiratta (joonis E1).

B-1	Lukustusmutrid	D-2	Juhtlati soon
B-2	Keti pingutuspoltt	E-1	Ajami ketiratas
D-1	Keti veolülid		

MÄRKUS! Saeketti juhtlatile lükates veenduge, et pärast juhtlati saele paigaldamist ühtiks löikuri suund korpusel oleva löikuri ikooni ja pöörlemissuuna noolega. Kui need on suunatud vastassuundadesse, pange saekett uuesti juhtlatile nii, et löikehambad oleks noolega samas suunas (joonis E2).

7. Asetage küljekate kettsae korpusele tagasi ja pingutage mõlemad lukustusmutrid täiesti kinni.
8. Pöörake ketti käsitsi, et kontrollida, kas kett on korralikult paigaldatud ja ei kiilu kinni. Vastasel juhul pange kett ja latt uuesti kokku.

MÄRKUS! Juhtlati tööea pikendamiseks pöörake latt aeg-ajalt teistpidi.

KETI PINGE REGULEERIMINE

ET

- Enne keti pinge reguleerimist seisake mootor ja eemaldage akuplokk. Pöörake keti pingutuspolti päri- või vastupäeva, et reguleerida keti pinget (joonis F), kuni kett asetseb tihedalt vastu juhtlati nii, et veolülid on juhtlati soones.
- Külma kett on õigesti pinguldatud, kui juhtlati all pole lõtku ja kett on tihedalt ümber lati, aga seda saab käega ilma painutamata pöörata. Kui ketilülide lamedad osad ei ole lati soones, tuleb ketti pinguldada.
- Tavaliselt keti temperatuur töö käigus tõuseb. Õigesti pinguldatud sooja keti lülid on umbes 1,3 mm võrra juhtlati soonest väljas (joonis G).

MÄRKUS! Uued ketid venivad. Kontrollige keti pinguldatust sageli ja pinguldage vastavalt vajadusele.

MÄRKUS! Soojalt pinguldatud kett võib jahtudes liiga pingul olla. Enne järgmist kasutuskorda kontrollige külma keti pinguldatust.

KASUTAMINE

⚠ HOIATUS! Ärge muutuge toodet tundma õppides hooletuks. Pidage meeles, et raskeid vigastusi põhjustavaks õnnetuseks piisab ka sekundi murdosa pikkusest tähelepanematuses.

⚠ HOIATUS! Ärge kasutage lisaseadmeid või -tarvikuid, mida selle toote valmistaja pole soovitanud. Mittesoovitulike lisaseadmete või -tarvikute kasutamine võib põhjustada raskeid kehavigastusi.

⚠ HOIATUS! Raskeid vigastusi põhjustada võiva juhusliku käivitumise vältimiseks eemaldage alati akuplokk enne masina kokkupanemist, reguleerimist, puhastamist või kui masin ei ole kasutuses.

Kontrollige enne iga kasutuskorda kogu toodet, et ei esineks kahjustunud, puuduvad või lahtisi osi, nt kruve, mutreid, polte, korke vms. Kinnitage kõik kinnitused ja korgid ning ärge kasutage toodet, kuni kõik puuduvad või kahjustatud osad on välja vahetatud.

KASUTUSEESMÄRGID

Seda saagi võib kasutada puude langetamiseks, laasimiseks, kärpimiseks või tükeldamiseks.

MÄRKUS! Masinat tohib kasutada vaid käesolevas juhendis lubatud eesmärgil. Igasugust muud kasutust loetakse väärkasutuseks.

LATI JA KETI MÄÄRDEAINE LISAMINE

⚠ HOIATUS! Ärge suitsetage ega tooge tuleallikaid õli ega sae lähedusse. Õli võib maha valguda ja tulekahju põhjustada.

MÄRKUS! Ostetud saag ei ole algselt õliga täidetud. Enne esmakasutust tuleb õlipaak kindlasti täita. Ketti õlitatakse töö käigus ketiõliga automaatselt.

1. Pange kettsaag külili nii, et õlipaagi kork jääks ülespoole.
2. Puhastage õlipaagi kork ja selle ümbrus, et vältida mustuse õlipaaki sattumist.
3. Tõstke poolringikujulist plaati üles ja keerake õlipaagi korki selle eemaldamiseks vastupäeva (joonis H).

4. Kallake juhtlatti ja keti õli ettevaatlikult paaki. Täitke paak kuni täitekaela alumise osani.
5. Pühkige ära üleliigne õli ja keerake kork tagasi.

MÄRKUS! Kontrollige õlitaset sageli ja kui õlitase langeb alla miinimumi, lisage õli. Ärge kunagi kasutage kettsaagi, kui õli ei ole nähtav.

AKUPLOKI PAIGALDAMINE/EEMALDAMINE

MÄRKUS. Kütusenäidiku ring LCD-ekraanil näitab aku laetuse taset (joonis A1). Ring hakkab vilkuma, kui aku on peaaegu tühjenenud. Laadige akuplokk enne esimest kasutuskorda täiesti täis.

Kasutage ainult joonisel A2 esitatud EGO akuplokkide ja laaduritega.

Enne esmakasutamist laadige täielikult täis.

Paigaldamine

Joondage aku sakid paigaldussoontega ja suruge akuplokk alla, kuni kuulete klõpsatust (joonis I).

Eemaldamine

Vajutage akuvabastusnuppu ja tõmmake akupakk välja (joonis J).

KETTSAE KÄIVITAMINE/SEISKAMINE

MÄRKUS! Enne kettsae käivitamist kontrollige õlitaset, saehammaste teravust ja tagasilöögiduri normipärase tööd. Lisaks tuleb töötada kindlal maapinnal ja piisaval kõrgusel maapinnast.

Käivitamine (joonis K)

1. Tõmmake keti tagasilöögiduri laba eesmise käepideme poole tööasendisse (joonis K).
2. Võtke vasaku käega eesmisest käepidemest ja parema käega tagumisest käepidemest kindlalt kinni.

⚠ HOIATUS! Vigastuste vältimiseks kasutage kettsaagi alati nii, et parem käsi hoiab tagumise käepideme haardealast kindlalt kinni (joonis L).

3. Vajutage parema käe põidlagala lukustusnuppu ja hoidke seda all, seejärel vajutage parema käe sõrmedega päästikülilit, et saag käivitada (Joonis L).

L-1	Haardeala
-----	-----------

4. Vabastage lukustusnupp ja töö jätkamiseks vajutage endiselt päästikülilit.
5. Mida tugevamalt päästikülilit vajutatakse, seda

suurem on keti kiirus. Reguleerige kiirus parajasti tehtava töö jaoks sobivaks.

⚠ HOIATUS! Ärge üritage saagi käivitada, kui sae kett on lõike sees.

Seiskamine

1. Kettsae peatamiseks viige saag lõikealast eemale ja vabastage siis päästikülilit.
2. Ketipiduri aktiveerimiseks lükake keti tagasilöögiduri laba ettepoole pidurdusasendisse (joonis K).

⚠ HOIATUS! Tööpauside ajal ja pärast töö lõpetamist eemaldage masina küljest alati akuplokk.

KIIRUSREŽIIMI MUUTMINE (JONIS M)

Sellel masinal on kolm kiirusrežiimi. Iga kiirusrežiim piirab kettsae maksimaalset kiirust. Kiirusrežiim muutub iga kord, kui vajutatakse kiirusrežiimi lüliti.

Kiiruse tähisvöödid LCD-ekraanil näitavad aktiivset kiirusrežiimi: üks vöödi madala kiiruse jaoks, kaks vöödi keskmise kiiruse jaoks ja kolm vöödi suure kiiruse jaoks. Väikese kiiruse režiim (ECO) tagab masina parema juhtimise ja pikema tööaja ühe laadimise kohta.

M-1	iirustase	M-7	Laetuse praegune tase
M-2	Bluetoothi ikoon	M-8	Esitule-/Bluetoothinupp
M-3	Esitule ikoon	M-9	Õli sөөturi nupp
M-4	Piduri ikoon	M-10	Ketikiiruse lüliti
M-5	Kõrge temperatuuri indikaator	M-11	Õli väljundtase
M-6	Kütusenäidiku ring	M-12	Madala õlitase indikaator

MÄRKUS. Kui kasutate EGO akut, mille nimimaht on 4,0 Ah või vähem, on saadaval ainult ECO-režiim. Ja alla 6,0 Ah mahutavusega EGO aku kasutamine ei võimalda teil saavutada suurt kiirust. Parima jõudluse saavutamiseks soovitate kasutada EGO akusid, mille kogumaht on 6,0 Ah (nt BA3360T) või rohkem.

MÄRKUS. Ketsael on keti kiiruse mälu funktsioon. Ketsae järgmisel sisselülitamisel aktiveeritakse varem kasutatud kiirusrežiim.

MÄRKUS. LCD-ekraan aktiveerub päästiku vajutamisel, samuti ölisõoturi nupu või esitule-/Bluetoothi nupu vajutamisel. LCD-ekraan lülitub vaikimisi automaatselt välja umbes 1 sekundilise tegevusetuse järel.

MÄRKUS. Keti kiiruse lüliti vajutamine ei lülita LCD-ekraani sisse.

KOORMUSTASE (joonis M)

LCD-ekraani paremal küljel olev koormustase näitab masina hetkekoormust. Suurem võtite arv näitab suuremat koormust ja väiksem võtite arv näitab väiksemat koormust.

See funktsioon on mõeldud eelkõige kogunud gaasimootoriga ketsae kasutajatele, kes ei pruugi tajuda, kuidas akutoitel saag erinevatel koormustel käitub. See aitab kasutajatel töökoormust jälgida, et vältida pikaajalist töötamist suure koormuse all, misjuhul võib ketsae töö liiga kuumaks muutumise tõttu seiskuda.

KÕRGE TEMPERAATUURI INDIKAATOR (joonis M)

Kõrge temperatuuri indikaator süttib, kui masina temperatuur ületab töötamise ajal 194 °F (90 °C) või aku temperatuur ületab 158 °F (70 °C). Temperatuurikaitseahel lülitab masina kohe välja, et vältida ülekuumenemiskahjustusi. Vabastage päästik ja oodake, kuni ülekuumenenud masin või aku jahtub ja kõrge temperatuuri indikaator kustub, seejärel taaskäivitage masin.

PIDURI IKOON (Joonis M)

Piduri ikoon ilmub LCD-ekraanile, kui pidurilaba on piduriasendis.

Piduriikoon hakkab vilkuma, kui ringsuunaline ketipidurite süsteem sae peatab. Täpsema teabe saamiseks vaadake järgmist peatükki.

ET

RINGSUUNALINE KETIPIDURITE SÜSTEEM (joonis N1 ja joonis N2)

Ringsuunaline ketipidurite süsteem ei ole ette nähtud standardse/traditsioonilise ketipiduri asendamiseks. Kasutaja ei tohiks kunagi ketsae töötamise ajal tagasilöögi eest kaitsmiseks sellele funktsioonile loota. Järgige alati tagasilöögi leevendamisega seotud ohutusjuhiseid, mis on toodud selle juhendi hoiatusosas.

Kui ringsuunaline ketipidurite süsteem on aktiveeritud ja sae peatab, hakkab LCD-ekraanil vilkuma pidurite ikoon (joonis M). Vabastage päästik; eemaldage sae kett ja juhtlattu pidu küljest ning käivitage saag uuesti.

MÄRKUS. Andurid tuvastavad ainult sae äkilise liikumise juhtlatti tasapinnas (joonis N1). Andurid ei tuvasta sae äkilist liikumist külgsuunas (joonis N2) (st juhtlatti tasapinnaga risti).

ÕLI VÄLJUNDTASE JA MADALA ÕLITASEME INDIKAATOR (Joonis M)

Masin määrab ketti automaatselt. See ketsaag võimaldab teil õli väljalaskekiirust muuta iga õli sõoturi nupu vajutusega.

MÄRKUS. Õli väljalaskekiirust saab muuta ainult siis, kui saekett ei tööta.

Õli väljundtase LCD-ekraanil näitab õli väljalaskekiirust. Üks vöö madala väljalaskekiiruse jaoks, kaks vööti keskmise väljalaskekiiruse jaoks ja kolm vööti kõrge väljalaskekiiruse jaoks.

Valige suurem väljalaskekiirus, et keti kiirus oleks suurem. Kui saekett töö käigus kuivab, seisake mootor ja valige suurem väljalaskekiirus.

Kui õlitase on madal, ilmub LCD-ekraanile õli väljastuslabade kohal olev madala õlisalduse indikaator ja saadaval on ainult madal väljalaskekiirus. Peatage ketsaag ja täitke õlipaak uuesti, järgides peatükki **ÕLIPAAGI TÄITMINE LABA- JA KETIMÄÄRDEGA.**

Pärast õlipaagi täitmist laske ketsael umbes 10 sekundit töötada, et automaatne määrimisüsteem hakkaks tööle ja indikaator kaoks LCD-ekraanilt.

MÄRKUS! Kui indikaator on pärast ülaltoodud toimingute sooritamist endiselt LCD-ekraanil, võib süsteem olla kahjustatud. Lõpetage ketsae kasutamine ja võtke remondiks ühendust EGO volitatud teeninduskeskusega.

LED-ESITULI (joonis O)

LED-esituli asub ketsae korpuse esiosas. Esituli annab valgust nähtavuse parandamiseks, tuld saab seadistada kahele ereduse tasemele.

Esitule sisselülitamiseks vajutage üks kord esitule-/Bluetoothinuppu (joonis M). Esituli lülitub sisse väikese eredusega ja LCD-ekraanil kuvatakse väikese eredusega esitule ikoon. Esitule suurele eredusele lülitamiseks vajutage uuesti esitule-/Bluetoothinuppu, LCD-ekraanil kuvatakse suure eredusega esitule ikoon.

Esitule väljalülitamiseks vajutage esitule-/Bluetoothinuppu kolmandat korda ja esitule ikoon kaob LCD-ekraanilt.

0-1	Väikese eredusega esitule ikoon	0-3	LED-esituli
0-2	Suure eredusega esitule ikoon		

SIDETEHNOLOOGIA

Et saada teavet või tutvuda kogu meie ühendatud toodete ja teenuste valikuga (sealhulgas ühendamisjuhistega), skannige allpool olev QR-kood või külastage veebilehte www.egopowerplus.eu/connect.



KORREKTNE KÄEPIDEMEST HOIDMISE VIIS (JONIS P1)

- Võimalikult tugeva haarde ja turvalisuse tagamiseks kasutage libisemiskindlast materjalist kindaid.
- Asetage saag kindlale ja tugevale tasasele pinnale ning hoidke seda kahe käega.
- Võtke alati vasaku käega eesmisest käepidemest ja parema käega tagumisest.
- Asetage sõrmed ümber käepideme nii, et põial on eesmise käepideme all.

⚠ HOIATUS! Ärge kunagi töötage vasakukäelise haardega (käed risti) ega niisuguse hoiakuga, mille puhul teie keha või käsi jääb saeketi liikumistrajektorile.

⚠ HOIATUS! Ärge vajutage päästikut vasaku käega ega hoidke eesmist käepidet parema käega. Jälgige kettsae kasutamisel, et mitte ükski teie kehaosa ei jääks saeketi liikumistrajektorile (joonis P2).

ÕIGE TÖÖASEND (JONIS Q)

- Mõlemad jalad tuleb toetada tugevale pinnale ja raskus peab jalgade vahel ühtlaselt jagunema.
- Vasak käsi peab olema sirge ja küünarnukk fikseeritud. Nii suurendate tagasilöögi tekkevate jõudude taluvust.
- Teie keha peaks alati olema ketist vasakul.

JUHISED ÕIGE METSARAIE-, LAASIMIS- JA JÄRKAMISTEHNIIKA RAKENDAMISEKS

⚠ HOIATUS! Seiske alati kindlal maapinnal ja hoidke töötavat saagi tugevalt kahe käega.

⚠ HOIATUS! Kui peatate sae, sest tunnete saagimise ajal kinni jäämist, vabastage päästiklüliti; eemaldage sae kett ja juhtlatt puidu küljest ning käivitage saag uuesti.

⚠ HOIATUS! Ärge tõmmake saepuru vahele kinni jäänud ketti käega. Juhuslikult käivitav saag võib põhjustada raskeid õnnetusi. Mustuse eemaldamiseks suruge sae kett vastu puitu ning liigutage saagi edasi-tagasi. Enne puhastamist eemaldage alati akuplokk. Sae käitamisel kandke alati tugevaid töökindaid.

⚠ HOIATUS! Ärge hoidke saagi käivitamise ajal puidu vastas. Ärge puudutage puitu kettsaega enne, kui saag on saavutanud maksimaalse töökiiruse.

PUU LANGETAMINE

- Kui puu järkamise ja langetamisega tegelevad korraga mitu inimest, peab langetamiskoht jääma järkamiskohast vähemalt kahekordse langetatava puu pikkuse kaugusele. Puude langetamisel ei tohi seada ohtu inimesi või kommunaalliine ega põhjustada varalisi kahjusid. Kui puu siiski satub kontakti kommunaalliiniga, teavitage viivitamatult asjakohaseid asutusi.
- Künkal töötades peab sae kasutaja seisma puust kõrgemal, sest tõenäoliselt kukub või veereb langetatav puu künkast alla.
- Enne langetamist tuleks planeerida, millist eemaldumisteed saab vajadusel kasutada, ning vabastada see tee takistustest. Eemaldumistee peaks jääma tahapoolle ja diagonaalselt eeldatavast kukkumissuunast vastupidisesse suunda, nagu on näidatud joonisel R.

R-1	Puulangetussuund
R-2	Ohutu eemaldumistee

ET

- Enne langetustööde alustamist võtke arvesse puu loomuliku kallet, puu suuremate okste paiknemist ning tuule suunda ja arvestage selle järgi, kuhu poole puu võiks kukkuma hakata.
- Eemaldage puult mustus, lahtine puukoor, naelad, klambrid ja traadid.

Altlõikega sälkamine

Tehke sälk 1/3 puu diameetri ulatuses langemissuunaga risti, nagu on näidatud joonisel S. Esmalt tehke alumine horisontaalne sälk. Nii vältite saeketi või juhtlati näpistamist teise sälguga tegemise ajal.

S-1	Langemissuund	S-3	Tagalõige langetamisel
S-2	Sälg	S-4	Hing

Tagalõige langetamisel

- Tehke puu langetamisel tagalõige horisontaalsest sälgust vähemalt 50 mm kõrgemale, nagu on näidatud joonisel S. Jälgige, et tagalõige oleks eesmise horisontaalse sälguga paralleelne. Tehke tagalõige selliselt, et jääks alles piisav kogus puitu, mis toimiks hingena. Hingetükk hoiab ära puu keerdumise ning vales suunas kukkumise. Ärge lõigake hinge läbi.
- Kui jõuate langetamislõikega hinge lähedale, peaks puu kukkuma hakkama. Kui on väikenegi võimalus, et puu ei lange soovitud suunas või võib tagasi painduda ja sae keti kinnikiilumist põhjustada, katkestage saagimine enne, kui langetamise tagalõige on lõpetatud ja lõpetage langetustöö puidust, plastist või alumiiniumist kiilude abil, et suunata puu soovitud suunda.
- Kui puu hakkab langema, võtke kettsaag lõike seest ära, seisake mootor, pange saag maha ja eemalduge plaanitud rada mööda. Jälgige kukkuda võivad oksid ja oma jalgeesist.

Laasimine

Laasimise käigus eemaldatakse kukkunud puu oksad. Laasimisel jätke alguses alles alumised jämedad oksad, mis hoiavad tüve maapinnast kõrgemal. Eemaldage väikesed oksad ühe lõikega, nagu on näidatud joonisel T. Ketsae kinnikiilumise vältimiseks tuleks pinge all olevaid oksid lõigata alt üles.

Palgi järkamine

Järkamise korral lõigatakse palk juppideks. Selle töö puhul on oluline, et teie jalgealune oleks kindel ning keharaskus oleks jalgade vahel võrdselt jaotatud. Võimalusel tuleks langenud puu ots üles tõsta ja toestada okste, palkide või kiiludega. Järgige kerge lõikamise lihtsaid juhiseid.

Kui palk on toetatud kogupikkuses, nagu on näidatud joonisel U1, alustatakse lõikamist ülalt (ülalt järkamine).

Kui palk on toetatud ühest otsast, nagu on näidatud joonisel U2, lõigake altpoolt 1/3 diameetri sügavuseni (alt järkamine). Seejärel tehke ülaltlõige kuni esimese lõikeni.

Kui palk on toetatud mõlemast otsast, nagu on näidatud joonisel U3, lõigake ülaltpoolt 1/3 diameetri sügavuseni

(ülalt järkamine). Seejärel tehke altlõige kuni esimese lõikeni.

Künkal järkamisel seisake alati palgist kõrgemal, nagu on näidatud joonisel V.

Kontrolli säilitamiseks „läbi lõikamisel“ vähendage survet lõike lõpuosas, lõdvendamata sealjuures kettsae käepidemete haaret. Vältige keti kontakti maapinnaga. Pärast lõike lõpetamist ja enne sae liigutamist oodake, kuni saekett seiskub. Ühe puu juurest teise juurde liikumiseks jätke saag alati seisma.

HOOLDUS

⚠ HOIATUS! Hooldusel ja remontimisel kasutage vaid originaalvaruosi. Mis tahes muude osade kasutamine võib põhjustada ohtlikke olukordi või toodet vigastada. Turvalisuse ja vastupidavuse tagamiseks peab kõiki parandustöid läbi viima kvalifitseeritud hooldustehnik.

⚠ HOIATUS! Tõsiste kehavigastuste vältimiseks eemaldage enne masina kontrollimist, puhastamist ja hooldamist akuplokk alati masina küljest. Aku jõul töötav tööriist on ühendatud akuploki korral alati kasutusvalmis ja võib juhuslikult käivituda.

⚠ HOIATUS! Ketsae puhastamisel ÄRGE kastke seda vette ega ühegi teise vedeliku sisse.

⚠ HOIATUS! Ärge kunagi laske pidurivedelikel, bensiinil, naftabaasil toodetel, läbitungivatel õlidel jms puutuda kokku plastosadega. Kemikaalid võivad plasti vigastada, nõrgestada või hävitada, mille tulemusena võivad tekkida rasked kehavigastused.

PUHASTAMINE

- Pärast iga kasutuskorra puhastage kett ja juhtlatt pehme harjaga. Pühkige sae pind puhta, lahja seebilahusega niisutatud lapiga puhtaks.
- Eemaldage küljekate ja puhastage juhtlatt, sae kett, ketiratas ja küljekate pehme harjaga mustusest.
- Eemaldage alumine kate umbes iga kaheksa töötunni järel ja seejärel kasutage masina seest ja kaanelt prügi eemaldamiseks pehmet harja (joonis W).
- Saeketi vahetamisel eemaldage juhtlati soonest alati puidutükid, saepuru ja mustus.

JUHTLATI HOOLDAMINE

Kui juhtlatt on kulunud, eemaldage see kettsae toitepea küljest ja pange see teistpidi tagasi (joonis X1). Nii saab kulumist jaotada ja seega lati eluiga maksimaalselt ära kasutada.

Latti tuleks igapäevaselt puhastada ning pärast puhastamist kontrollida, ega see kulunud või kahjustatud pole (Joonis X2). Lati relsside narmastumine või karestumine on normaalne kulumisprotsess. Sellised vead tuleks ilmnmisel kohe viiliga siluda. Allpool mainitud vigadega latti tuleb välja vahetada.

- Lati relsside niisugune kulumine, mille tõttu võib kett küllil minna.
- Paindunud juhtlatti.
- Mõranenud või katkised relsid.
- Laiali vajunud relsid.

Lisaks asub juhtlatti tipu juures ketiratas (joonis X3).

Juhtlatti tööea pikendamiseks tuleb ketiratas igal nädalal õlitada. Iganädalasel õlitamisel kasutage ketiõliga täidetud õlisisustalt ja sisestage õli läbi määrdeava (joonis W4).

Pöörake juhtlatti ja veenduge, et määrdeavad ja keti soon oleks puhtad ja korras.

X-1	Keti relsid	X-3	Määrdeava
X-2	Juhtlatti tipu juures asuv ketiratas		

MÄRKUS! Parimate tulemuste saavutamiseks kasutage määrdeaineid, mille EGO on heaks kiitnud.

TRANSPORTIMINE JA HOIUSTAMINE

Ärge transportige ega hoiustage töötavat kettsaagi. Hooldamise ja transportimise ajaks eemaldage alati akuplokk.

Enne kettsae hoiustamist ja transportimist pange juhtlatti ja keti peale alati juhtlatti kaitse. Olge ettevaatlik ja vältige keti teravaid hambaid.

Enne hoiustamist puhastage saag hoolikalt. Hoidke saagi sisetingimustes, kuivas, lukustatud ja lastele kättesaamatus kohas.

Hoidke seda eemal korrodeerivatest ainetest (nt aiakemikaalid ja jääsulatussoolad).

KESKKONNAKAITSE



Ärge visake elektriseadmeid, kasutatud akut ega laadurit olmeprügi hulka!

Viige toode volitatud taaskäitleja juurde ja võimaldage selle komponendid sorteerituna kõrvaldada. Elektritööriistad tuleb viia keskkonnakaitsenõueteid järgivasse jäätmekäitluskeskusesse.

TÖRKEOTSING

⚠ HOIATUS! Käte kaitsmiseks kandke saeketi hooldamisel alati tugevast materjalist kindaid. Ketsae hooldamise ja transportimise ajaks eemaldage alati akuplokk.

PROBLEEM	PÕHJUS	LAHENDUS
Mootor ei käivitu.	<ul style="list-style-type: none">■ Akuplokk pole saega ühendatud.■ Sae ja akuploki vahel puudub elektriline ühendus.■ Kui kütusenäidiku ring LCD-ekraanil vilgub, on aku tühjenenud.■ Kui LCD-ekraanile ilmub kõrge temperatuuri indikaator, on akuplokk või kettsaag liiga kuum.■ Kui LCD-ekraanile ilmub ketipiduri ikoon, on ketipiduri sisse lülitatud.■ Juhtlati soones on mustust. ■ Külgaktes on mustust.	<ul style="list-style-type: none">■ Kinnitage akuplokk sae külge.■ Eemaldage akuplokk, kontrollige ühendusi ja pange akuplokk tagasi.■ Laadige akuplokki.■ Jahutage akuplokki või kettsaagi, kuni temperatuur langeb alla 67°C.■ Tõmmake keti tagasilöögiduri laba tagasi eesmise käepideme poole tööasendisse.■ Mustuse eemaldamiseks suruge sae kett vastu puitu ning liigutage saagi edasi-tagasi.■ Eemaldage akuplokk ning seejärel küljekate ja puhastage seade mustusest.
Kiiruse režiimi ei saa muuta.	<ul style="list-style-type: none">■ Keti kiiruse lüliti on prahi tõttu kinni jäänud.	<ul style="list-style-type: none">■ Puhastage keti kiiruse lüliti ümbrus prahist.
Kettsaag lakkab töötamise ajal ootamatult töötamast.	<ul style="list-style-type: none">■ Kettsaag on ülekoormatud.■ Kui LCD-ekraanile ilmub kõrge temperatuuri indikaator, on akuplokk või kettsaag liiga kuum.■ Sae kett on puidu sisse kinni jäänud.■ Kui LCD-ekraanil vilgub ketipiduri ikoon, on sae peatanud ringsuunaline ketipidurite süsteem.	<ul style="list-style-type: none">■ Vähendage koormust.■ Jahutage akuplokki või kettsaagi, kuni temperatuur langeb alla 67°C.■ Vabastage päästik; eemaldage sae kett ja juhtlatt puidu küljest ning käivitage saag uuesti.■ Vabastage päästik; eemaldage sae kett ja juhtlatt puidu küljest ning käivitage saag uuesti.
Mootor töötab, aga kett ei käi ringi.	<ul style="list-style-type: none">■ Kett ei haaku ketirattaga.	<ul style="list-style-type: none">■ Paigaldage kett uuesti, jälgides, et kõik selle veolülid oleks korrektselt ketirattale paigutatud.
Ketipiduri ei tööta.	<ul style="list-style-type: none">■ Mustus takistab keti tagasilöögiduri laba täies ulatuses liikumist.■ Võimalik ketipiduri rike.	<ul style="list-style-type: none">■ Eemaldage väliselt ketipidurilt mustus.■ Küsige abi EGO hoolduskeskusest.

PROBLEEM	PÕHJUS	LAHENDUS
Kettsaag ei löika korralikult.	<ul style="list-style-type: none"> ■ Ebapiisav keti pinge. ■ Lõtv kett. ■ Kett on paigaldatud tagurpidi. ■ Kulunud kett. ■ Kuiv või liigselt pinguldatud kett. ■ Kett pole lati hammastiku vahel. 	<ul style="list-style-type: none"> ■ Muutke keti pinguldatust vastavalt teabele alapunktis „KETI PINGE REGULEERIMINE“. ■ Teritage kett. ■ Paigaldage saekett tagasi, järgides juhiseid jaotises „JUHTLATI JA KETI KOKKUPANEK/VÄLJAVAHETAMINE“. ■ Asendage kett vastavalt juhiste jaotises „JUHTLATI JA KETI KOKKUPANEK/VÄLJAVAHETAMINE“. ■ Kontrollige õlitaset. Täitke õlipaak uuesti ja valige vajadusel suurem õlikogus. ■ Paigaldage saekett tagasi vastavalt juhiste jaotises „JUHTLATI JA KETI KOKKUPANEK/VÄLJAVAHETAMINE“.
Tavapärasel kasutusel tuleb kett lahti või kukub juhtlatilt ära.	<ul style="list-style-type: none"> ■ Tavaliselt keti temperatuur töö käigus tõuseb ja seetõttu tuleb kett lahti. ■ Kett ei haaku ketirattaga. 	<ul style="list-style-type: none"> ■ Pinguldage ketti, järgides juhiseid jaotises „KETI PINGE REGULEERIMINE“. ■ Paigaldage saekett tagasi vastavalt juhiste jaotises „JUHTLATI JA KETI KOKKUPANEK/VÄLJAVAHETAMINE“.
Juhtlatt ja kett on kuumad ja suitsevad.	<ul style="list-style-type: none"> ■ Kui LCD-ekraanile ilmub madala õlitaseme indikaator, on ketiõli paak tühi. ■ Juhtlati soones on mustust. 	<ul style="list-style-type: none"> ■ Kontrollige õlitaset. Vajadusel lisage õli. ■ Eemaldage soones olev mustus.
LCD-ekraanile ilmub madala õlitaseme näidik, kuigi õlipaagis on piisavalt õli. Või isegi kui õlipaagis on õli liiga vähe, ei näita LCD-ekraan madala õlitaseme näidikut.	<ul style="list-style-type: none"> ■ Õlitaseme tuvastamise komponent ei ole veel tuvastanud tegelikku õlitaset õlitorus oleva jääkõli või õhu tõttu. ■ Õlitaseme tuvastamise komponendi rike. 	<ul style="list-style-type: none"> ■ Oodake mõni minut, kuni jääkõli või õhk õlitorust välja voolab.

GARANTII

EGO GARANTIIPÕHIMÕTTED

Täielikud EGO garantiitingimused leiate veebilehelt egopowerplus.eu.

ET

ПРОЧИТАЙТЕ ВСІ ІНСТРУКЦІЇ!



ПРОЧИТАЙТЕ ПОСІБНИК З ЕКСПЛУАТАЦІЇ

⚠ ПОПЕРЕДЖЕННЯ. Для гарантування безпеки та надійності всі ремонтні роботи повинен проводити кваліфікований технічний спеціаліст.

⚠ ПОПЕРЕДЖЕННЯ. Перш ніж користуватися цим інструментом, обов'язково ознайомтеся з усіма інструкціями з безпеки, наведеними в цьому посібнику користувача, зокрема з усіма символами попереджень, такими як «**НЕБЕЗПЕКА**», «**ПОПЕРЕДЖЕННЯ**» та «**ЗАСТЕРЕЖЕННЯ**». Недотримання наведених нижче вказівок може спричинити ураження електричним струмом, пожежу та/або серйозні травми.



Попередження щодо безпеки



Надягайте засоби захисту очей



Надягайте засоби захисту голови



Остерігайтеся віддачі ланцюгової пили й уникайте контакту з кінцем шини.



Інформація про напрямну шину



Гарантований рівень звукової потужності. Розповсюдження шуму в навколишнє середовище згідно з директивою Європейського співтовариства.



Цей виріб відповідає чинним директивам ЄС.

UK



Bluetooth®

мм Міліметр

V Напруга

IPX5 Захист від струменів води

ЗБЕРЕГАЙТЕ ВСІ ПОПЕРЕДЖЕННЯ ТА ІНСТРУКЦІЇ ДЛЯ ВИКОРИСТАННЯ В МАЙБУТЬОМУ.

СИМВОЛИ, ЩО СТОСУЮТЬСЯ БЕЗПЕКИ

⚠ ПОПЕРЕДЖЕННЯ. Використання будь-яких електроінструментів може призвести до потраплення сторонніх предметів в очі, що може спричинити серйозне пошкодження очей. Перед початком експлуатації електроінструмента завжди надягайте закриті захисні окуляри або відкриті захисні окуляри з бічними щитами та, якщо потрібно, повнопрофільну захисну маску. Ми рекомендуємо захисну маску широкого розміру для використання поверх окулярів або стандартні відкриті захисні окуляри з бічними щитами.



Щоб зменшити ризик травми, користувач повинен ознайомитися з інструкцією користувача перед використанням цього виробу.



Надягайте засоби захисту органів слуху



Надягайте захисні рукавиці.



Віддача напрямної шини



Завжди використовуйте ланцюгову пилу двома руками.



Відходи електричних виробів не слід викидати разом із побутовим сміттям. Зверніться до авторизованого пункту переробки.



Цей виріб відповідає чинному законодавству Великобританії.



Постійний струм

n_0 Швидкість холостого ходу

./min На хвилину

ПРИМІТКА. Словесний знак і логотипи Bluetooth® є зареєстрованими торговельними знаками Bluetooth SIG, Inc. та будь-яке використання таких знаків компанією EGO здійснюється за ліцензією.

ТЕХНІЧНІ ХАРАКТЕРИСТИКИ

Номінальна напруга	56В	
Макс. Швидкість ланцюга	30 м/с	
Крок ланцюга	8,255 мм / 0,325"	
Калібр ланцюга	1,3 мм	
Довжина напрямної шини	50 см	
Модель пильного ланцюга	AC2035 (рекомендовано)	
	AC1635, AC1835 (Сумісний)	
Модель пильного ланцюга та напрямної шини	AK2035 (рекомендовано)	
	AK1635, AK1835 (Сумісний)	
Об'єм оливної бачка ланцюга	250 мл	
Вага (без акумуляторної батареї, пилляльного ланцюга, напрямної шини, бічної кришки, мастила та кожуха ланцюга)	4,3 кг	
Діапазон рекомендованих робочих температур	-15°C – 40°C	
Діапазон рекомендованих температур зберігання	-20°C – 70°C	
Рекомендована температура під час заряджання	5°C – 40°C	
Вимірний рівень звукової потужності L_{WA}	102 дБ(A)	
	$K=2,3$ дБ(A)	
Рівень звукового тиску на робочому місці L_{PA}	92 дБ(A)	
	$K=3$ дБ(A)	
Гарантований рівень звукової потужності L_{WA} (відповідно до стандарту 2000/14/ЄС)	104 дБ(A)	
Вібрація a_n	Передня ручка	3,3 м/с ² $K=1,5$ м/с ²
	Задня ручка	1,74 м/с ² $K=1,5$ м/с ²

- Вказане загальне значення вібрації виміряне за стандартним методом тестування і може використовуватися для порівняння одного інструмента з іншим;

- Заявлене сумарне значення вібрації може також використовуватися для попередньої оцінки впливу.

ПРИМІТКА. Емісія вібрації під час фактичного використання електроінструмента може відрізнятися від заявленої величини, у якій використовується інструмент. Щоб захистити оператора, користувач повинен одягати рукавички та захисні навушники в реальних умовах використання.

ПАКУВАЛЬНИЙ СПИСОК (РИС. А1)

ОПИС

ОЗНАЙОМЛЕННЯ З ЛАНЦЮГОВОЮ ПИЛОЮ (рис. А1)

1. Пилковий ланцюг
2. Важіль гальма віддачі ланцюга
3. Передня ручка
4. РК-екран
5. Рівень швидкості
6. Значок Bluetooth
7. Значок лампи
8. Значок гальма
9. Індикатор високої температури
10. Коло покажчика рівня палива
11. Рівень струму під навантаженням
12. Індикатор низького рівня мастила
13. Кнопка лампи/Bluetooth
14. Кнопка подачі мастила
15. Рівень виходу мастила
16. Кнопка блокування
17. Тригерний перемикач
18. Задня ручка
19. Перемикач швидкості ланцюга
20. Кнопка звільнення батареї
21. Віконце для перевірки мастила
22. Кришка бачка для мастила
23. Пилкова шина
24. Змащувальний отвір
25. Болт натягу ланцюга
26. Бічна кришка
27. Контргайки
28. Упорні зубці
29. Світлодіодна лампа
30. Кожух ланцюга
31. Універсальний ключ

ЗБИРАННЯ

УСТАНОВЛЕННЯ/ЗАМІНА ШИНИ ТА ЛАНЦЮГА

⚠ ПОПЕРЕДЖЕННЯ. Перед збиранням установіть рукоятку гальма віддачі ланцюга в положення гальмування.

1. Покладіть приводну головку ланцюгової пили набік бічною кришкою вгору (рис. В).
2. Зніміть бічну кришку, повернувши дві контргайки проти годинникової стрілки.
3. Поверніть болт натягу ланцюга проти годинникової стрілки, щоб послабити натяг ланцюга.
4. Розкладіть пильний ланцюг по колу на рівну поверхню і вирівняйте будь-які перекручування (рис. С).
5. Установіть приводні ланки ланцюга в паз напрямної шини та з'єднайте ланцюг колом ззаду напрямної шини (рис. D).
6. Тримайте ланцюг у положенні на напрямній шині та розташуйте петлю навколо зірочки пили (рис. E1).

В-1	Контргайки	D-2	Паз пилкової шини
В-2	Болт натягу ланцюга	E-1	Ведуча зірочка
D-1	Ланки приводного ланцюга		

ПРИМІТКА. Під час намотування пиляльного ланцюга на напрямну шину переконайтеся, що після встановлення напрямної шини на пилу орієнтація ріжучого полотна збігається зі значком ріжучого полотна та стрілкою напрямку обертання на корпусі. Якщо вони спрямовані в протилежні сторони, знову встановіть пиляльний ланцюг на напрямну шину так, щоб різці були спрямовані в одному напрямку (рис. E2).

7. Установіть бічну кришку на корпус ланцюгової пили та повністю затягніть обидві контргайки.
8. Поверніть ланцюг вручну, щоб перевірити, чи ланцюг зібраний правильно, без заїдань. В іншому разі зберіть ланцюг і шину заново.

ПРИМІТКА. Щоб продовжити термін служби напрямної шини, іноді перевертайте шину.

РЕГУЛЮВАННЯ НАТЯГУ ЛАНЦЮГА

- Зупиніть мотор і вийміть акумулятор, перш ніж регулювати натяг ланцюга. Повертайте болт натягу ланцюга за годинниковою стрілкою або

проти годинникової стрілки, щоб відрегулювати натяг ланцюга (рис. F), доки ланцюг не буде щільно прилягати до напрямної шини, а ведучі ланки не опиняться в пазу напрямної шини.

- Ланцюг натягнуто правильно, якщо немає провисання на нижній напрямній шини, ланцюг сидить щільно, але його можна повернути рукою без застрягання. Ланцюг необхідно натягувати щоразу, коли плоска поверхня на приводних ланках не сидить у пазу.
- Під час нормальної роботи пили температура ланцюга буде збільшуватися. Приводні ланки правильно натягнутого теплового ланцюга провисатимуть приблизно на 1,3 мм з паза шини (рис. G).

ПРИМІТКА. Нові ланцюги мають тенденцію до розтягування. Часто перевіряйте натяг ланцюга в міру необхідності.

ПРИМІТКА. Ланцюг, натягнутий у теплому стані, може бути занадто тугим після охолодження. Перевірте холодний натяг перед наступним використанням.

ЕКСПЛУАТАЦІЯ

⚠ ПОПЕРЕДЖЕННЯ. Знання виробу не має робити вас недбалим. Пам'ятайте, що півсекунди неухважності досить для серйозної травми.

⚠ ПОПЕРЕДЖЕННЯ. Не використовуйте приладдя чи насадки, не рекомендовані виробником цього пристрою. Використання нерекондованого приладдя чи насадок може призвести до серйозних травм.

⚠ ПОПЕРЕДЖЕННЯ. Щоб запобігти випадковому запуску, що може спричинити серйозні травми, завжди виймайте акумуляторну батарею з інструмента під час монтажу деталей, регулювання, очищення або коли він не використовується.

Перед кожним використанням перевіряйте весь виріб на предмет пошкоджень, відсутності або послаблення деталей, таких як гвинти, гайки, болти, кришки тощо. Закріпіть усі затискачі та ковпачки і не використовуйте цей прилад, доки не будуть замінені всі відсутні або пошкоджені деталі.

ЗАСТОСУВАННЯ

Ви можете використовувати цей виріб для базового зрубання дерев, обрізання сучків, різання деревини та обробки лісоматеріалів та дерев.

ПРИМІТКА. Цей інструмент має використовуватись

тільки за призначенням. Будь-яке інше використання вважається випадком використання не за призначенням.

ДОДАВАННЯ МАСТИЛА ДЛЯ ШИНИ ТА ЛАНЦЮГА.

⚠ ПОПЕРЕДЖЕННЯ. Не паліть і не наближайте джерела вогню або полум'я до мастила чи ланцюгової пили. Мастило може розлитися і спричинити пожежу.

ПРИМІТКА. Ланцюгова пила не наповнена мастилом у момент покупки. Перед використанням необхідно заповнити бачок мастилом. Ланцюг автоматично змащується мастилом для ланцюга під час роботи.

1. Покладіть ланцюгову пилу набік кришкою бака догори.
2. Очистьте кришку бачка для мастила та ділянку навколо неї, щоб бруд не потрапив у бачок.
3. Підніміть напівкруглу пластину та поверніть кришку бачка для мастила проти годинникової стрілки, щоб зняти її (рис. Н).
4. Обережно наливайте мастило для шини і ланцюга. Заповніть до нижньої частини заливної горловини.
5. Протріть зайве мастило і встановіть на місце кришку.

ПРИМІТКА. Часто перевіряйте рівень мастила і доливайте, коли він опускається нижче мінімальної позначки. Ніколи не вмикайте ланцюгову пилу, якщо не видно мастила.

УСТАНОВЛЕННЯ І ВИДАЛЕННЯ АКУМУЛЯТОРА

ПРИМІТКА. Коло покажчика рівня палива на РК-дисплеї вказує на рівень заряду акумулятора (рис. А1). Коло блиматиме, коли заряд акумулятора наближається до повного розрядження. Повністю зарядіть акумулятор перед першим використанням.

Використовуйте лише акумулятори та зарядні пристрої EGO, перелічені на рис. А2.

Повністю зарядіть перед першим використанням.

Установлення

Вирівняйте виступи на акумуляторі з кріпильними отворами та натисніть на акумуляторну батарею, доки не почуєте «кляцання» (рис. І).

Видалення

Натисніть кнопку звільнення акумулятора та витягніть акумуляторну батарею (рис. J).

ЗАПУСК/ЗУПИНКА ЛАНЦЮГОВОЇ ПИЛИ

ПРИМІТКА. Перед запуском ланцюгової пили перевірте рівень мастила, гостроту зубців та правильну роботу важеля гальма віддачі. Крім того, необхідно тримати рівновагу та належну відстань від землі.

Запуск (рис. К)

1. Потягніть ручку гальма віддачі в напрямку передньої рукоятки в робоче положення (рис. К)
2. Міцно тримайте передню ручку лівою рукою, а задню ручку – правою.

⚠ ПОПЕРЕДЖЕННЯ. Щоб уникнути травм, завжди використовуйте ланцюгову пилу, тримаючись правою рукою за область захвату задньої рукоятки (рис. L).

3. Натисніть і утримуйте кнопку блокування великим пальцем правої руки, потім натисніть пусковий перемикач пальцями правої руки, щоб запустити пилу (Рис. L).

L-1	Область захвату
-----	-----------------

4. Відпустіть кнопку блокування та продовжуйте натискати пусковий перемикач для продовження роботи.
5. Що сильніше натиснуто тригерний перемикач, то більша швидкість ланцюга. Відрегулюйте швидкість відповідно до поставленого завдання.

⚠ ПОПЕРЕДЖЕННЯ. Не намагайтеся запустити пилу, коли ланцюг пили в пропилі.

Зупинка

1. Перемістіть ланцюгову пилу від зони різання, а потім відпустіть пусковий перемикач, щоб зупинити пилу.
2. Натисніть важіль гальма віддачі ланцюга вперед у положення гальмування, щоб задіяти гальмо ланцюга (рис. К).

⚠ ПОПЕРЕДЖЕННЯ. Завжди виймайте акумуляторну батарею з інструмента під час перерв у роботі та після закінчення роботи.

ЗМІНА РЕЖИМУ ШВИДКОСТІ (РИС. М)

Цей інструмент має три режими швидкості. Кожен швидкісний режим обмежує максимальну швидкість ланцюгової пили. Режим швидкості змінюватиметься з кожним натисканням перемикача швидкості ланцюга.

Рівень швидкості на РК-екрані відобразатиме активний

режим швидкості: одна смуга для низької швидкості, дві смуги для середньої швидкості та три смуги для високої швидкості. Режим низької швидкості (ЕКО) забезпечує кращий контроль над інструментом та триваліший час роботи на одному заряді.

M-1	Рівень швидкості	M-7	Рівень струму під навантаженням
M-2	Значок Bluetooth	M-8	Кнопка лампи/ Bluetooth
M-3	Значок лампи	M-9	Кнопка подачі мастила
M-4	Значок гальма	M-10	Перемикач швидкості ланцюга
M-5	Індикатор високої температури	M-11	Рівень виходу мастила
M-6	Коло покажчика рівня палива	M-12	Індикатор низького рівня мастила

ПРИМІТКА. У разі використання акумуляторної батареї EGO ємністю 4,0 А*год або менше доступний лише режим ЕКО. Використання акумуляторної батареї EGO ємністю менше 6,0 А*год не дасть вам змоги досягти високої швидкості. Для найкращої продуктивності ми наполегливо рекомендуємо використовувати акумуляторні батареї EGO ємністю 6,0 А*год (наприклад, ВА3360Т) або більше.

ПРИМІТКА. Ланцюгова пила має функцію запам'ятовування швидкості ланцюга. Під час наступного ввімкнення ланцюгової пили буде активовано попередній швидкісний режим.

ПРИМІТКА. РК-екран загоряється під час натискання на пусковий вимикач або на кнопку подачі мастила чи кнопку лампи/ Bluetooth. За замовчуванням РК-екран автоматично вимикається приблизно через 1 секунду бездіяльності.

ПРИМІТКА. Під час натискання на перемикач швидкості ланцюга РК-екран не вмикається.

РІВЕНЬ НАВАНТАЖЕННЯ (рис. М)

Рівень навантаження в правій частині РК-екрана показує поточне навантаження на машину. Більша

кількість смуг вказує на більше навантаження, а менша кількість смуг вказує на менше навантаження.

Ця функція в першу чергу призначена для досвідчених користувачів бензинових ланцюгових пил, які можуть не мати уявлення про те, як працює акумуляторна пила під час різних навантажень. Вона допомагає користувачам контролювати робоче навантаження, щоб уникнути тривалої роботи під великим навантаженням, яке може призвести до зупинки ланцюгової пили під час роботи через перегрів.

ІНДИКАТОР ВИСОКОЇ ТЕМПЕРАТУРИ (рис. М)

Індикатор високої температури загоряється, коли температура машини перевищує 194°F (90°C) або температура акумулятора перевищує 158°F (70°C) під час роботи. Схема захисту від високої температури негайно вимкне машину, щоб запобігти пошкодженню від перегріву. Відпустіть тригер і зачекайте, доки перегріта машина або акумулятор охолонуть, а індикатор високої температури вимкнеться, після чого перезапустіть машину.

ЗНАЧОК ГАЛЬМА (рис. М)

Значок гальма з'являється на РК-екрані, коли ручка гальма перебуває в положенні гальмування.

Значок гальма буде блимати, коли всенаправлена система гальмування ланцюга зупинить пилу. Детальнішу інформацію ви знайдете в наступному розділі.

УСЕНАПРАВЛЕНА СИСТЕМА ГАЛЬМА ЛАНЦЮГА (рис. N1 і рис. N2)

Усенаправлена система гальма ланцюга не призначена для заміни стандартного/традиційного гальма ланцюга. Користувачеві ніколи не слід покладатися на цю функцію для захисту від віддачі під час використання ланцюгової пили. Завжди дотримуйтесь інструкцій із безпеки щодо зменшення віддачі, які наведено в розділі попереджень цього посібника.

Коли всенаправлена система гальма ланцюга активується та зупиняє пилу, на РК-екрані блимає значок гальма (рис. М). Відпустіть тригерний перемикач; зніміть ланцюг пили та напрямну шину з дерева, а потім знову запустіть ланцюгову пилу.

ПРИМІТКА. Датчики фіксують лише раптовий рух пили в площині напрямної шини (рис. N1). Датчики не виявляють різкого руху пили вбік (рис. N2) (тобто перпендикулярно до площини напрямної шини).

РІВЕНЬ МАСТИЛА ТА ІНДИКАТОР НИЗЬКОГО РІВНЯ МАСТИЛА

(Рис. М)

Машина автоматично змщує ланцюг. Ця ланцюгова пила дає змогу змінювати швидкість подачі мастила кожним натисканням кнопки подачі мастила.

ПРИМІТКА. Швидкість подачі мастила можна змінювати тільки тоді, коли пильний ланцюг не працює.

На РК-екрані відобразиться рівень подачі мастила. Одна смужка відповідає низькій швидкості, дві смужки – середній швидкості, а три смужки – високій швидкості.

Вибирайте більшу швидкість подачі для більшої швидкості ланцюга. Якщо під час роботи пильний ланцюг пересихає, зупиніть мотор і виберіть більшу швидкість подачі мастила.

Коли рівень мастила низький, на РК-екрані з'являється індикатор низького рівня мастила над смужками подачі мастила, і доступна тільки низька швидкість подачі. Зупиніть ланцюгову пилу та заправте бачок для мастила, дотримуючись вказівок у розділі **ЗАПОВНЕННЯ БАЧКА МАСТИЛОМ ДЛЯ ШИНИ ТА ЛАНЦЮГА.**

Після заповнення бачка для мастила запустіть ланцюгову пилу приблизно на 10 секунд, щоб автоматична система змащення почала працювати, а індикатор зник з РК-екрана.

ПРИМІТКА. Якщо після виконання зазначених вище дій індикатор усе ще відображається на РК-екрані, система може бути пошкоджена. Припиніть використання ланцюгової пили та зверніться до авторизованого сервісного центру EGO для ремонту.

СВІТЛОДІОДНА ЛАМПА (рис. О)

Світлодіодна лампа розташована в передній частині корпусу ланцюгової пили. Лампа забезпечує підсвічування для покращення видимості та має 2 рівні яскравості.

Щоб увімкнути лампу, один раз натисніть кнопку лампи/Bluetooth (рис. М). Лампа ввімкнеться з низьким рівнем яскравості, а на РК-екрані з'явиться значок лампи з низьким рівнем яскравості. Натисніть кнопку лампи/Bluetooth ще раз, щоб переключитися на високий рівень яскравості, і на РК-екрані з'явиться значок лампи з високим рівнем яскравості.

Щоб вимкнути лампу, натисніть кнопку лампи/Bluetooth утретє, і значок лампи зникне з РК-екрана.

0-1	Значок лампи з низьким рівнем яскравості	0-3	Світлодіодна лампа
-----	--	-----	--------------------

0-2	Значок лампи з високим рівнем яскравості		
-----	--	--	--

КОМУНІКАЦІЙНА ТЕХНОЛОГІЯ

Для отримання інформації про повний спектр під'єднаних продуктів і послуг, зокрема інструкцій із підключення, відскануйте QR-код нижче або відвідайте сайт www.egopowerplus.eu/connect.



ПРАВИЛЬНЕ ТРИМАННЯ РУЧОК (РИС. Р1)

- Носіть нековзні рукавички для максимального зчеплення і захисту.
- Поклавши пилу на міцну, рівну поверхню, міцно тримайте її обома руками.
- Завжди тримайте передню ручку лівою рукою, а задню ручку – правою.
- Пальці мають охоплювати ручку, великий палець має бути під передньою ручкою.

⚠ ПОПЕРЕДЖЕННЯ. Ніколи не беріться лівою рукою за ручку (не перехресуйте руки) і не приймайте положення, при якому ваше тіло або рука перетинало б лінію ланцюга.

⚠ ПОПЕРЕДЖЕННЯ. Не натискайте на пусковий перемикач лівою рукою і тримайтеся правою рукою за передню ручку. У жодному разі не допускайте, щоб будь-яка частина вашого тіла перебувала на лінії ланцюга під час роботи з ланцюговою пилою (рис. Р2).

ПРАВИЛЬНА ПОСТАВА ДЛЯ РІЗАННЯ (РИС. Q)

- Обидві ноги мають бути на твердій поверхні, при чому вага має бути рівномірно розподілена між ними.
- Ліва рука має бути прямою, лікоть зафіксований. Це допомагає протистояти силам, утвореним віддачею.
- Ваше тіло завжди має бути ліворуч від лінії ланцюга.

ВКАЗІВКИ, ЩО СТОСУЮТЬСЯ НАЛЕЖНИХ ПРИЙОМІВ БАЗОВОГО ЗРУБУВАННЯ ДЕРЕВ, ОБРІЗАННЯ СУЧКІВ ТА НАСКРІЗНОГО РІЗАННЯ

⚠ ПОПЕРЕДЖЕННЯ. Завжди стійте на ногах

UK

упевнено і міцно тримайте ланцюгову пилу обома руками під час роботи мотора.

⚠ ПОПЕРЕДЖЕННЯ. Коли пильний ланцюг зупиняється через затискання під час різання, відпустіть тригерний вимикач; зніміть пильний ланцюг та напрямну шину з деревини, а потім знову запустіть ланцюгову пилу.

⚠ ПОПЕРЕДЖЕННЯ. Не тягніть ланцюгову пилу рукою, якщо в ній застрягла тирса. Якщо ланцюгова пила запускається випадково, це може призвести до серйозної травми. Притисніть пильний ланцюг до дерева, переміщуйте ланцюгову пилу назад і вперед, щоб скинути сміття. Завжди виймайте акумуляторну батарею перед чищенням. Під час роботи з ланцюгом використовуйте міцні захисні рукавички.

⚠ ПОПЕРЕДЖЕННЯ. Ніколи не запускайте ланцюгову пилу, коли вона контактує з деревиною. Завжди давайте ланцюговій пилі досягти повної швидкості, перш ніж застосовувати пилу до деревини.

ЗРУБУВАННЯ ДЕРЕВА

- Якщо розпилювання та вирубування виконуються двома або більше особами одночасно, то операція вирубування має виконуватись окремо від операції розпилювання на відстані, що відповідає принаймні подвійній висоті дерева, що вирубується. Дерева не можна вирубувати таким способом, який може загрожувати будь-якій особі, пошкодити будь-яку комунікаційну лінію або заподіяти майнову шкоду. Якщо дерево контактує з будь-якою комунікаційною лінією, про це слід негайно повідомити комунальну компанію.
- Оператор ланцюгової пили повинен стояти на схилі вище, оскільки дерево, імовірно, скотиться або сповзе вниз після вирубування.
- Слід запланувати та звільнити шлях евакуації, як це необхідно, перш ніж розпочинати зрізання. Шлях евакуації має проходити назад і по діагоналі, позаду від очікуваної лінії падіння, як показано на рис. R.

R-1	Напрямок зрубування
R-2	Шлях безпечного відступу

- Перед початком вирубування розгляньте природний нахил дерева, розташування великих гілок і напрямок вітру, щоб визначити, яким чином

дерево впаде.

- Приберіть із дерева бруд, камені, вільну кору, цвяхи, скоби та дріт.

Виконання надрізу

Зробіть проріз на 1/3 діаметра дерева, перпендикулярно напрямку падіння, як показано на рис. S. Спочатку зробіть вирізу нижньої горизонтальної виймки. Це допоможе уникнути затискання ланцюга пили або напрямної штанги під час вирізання другої виймки.

S-1	Напрямок падіння	S-3	Пропил із протилежної сторони зрубування
S-2	Виріз	S-4	Шарнір

Пропил із протилежної сторони зрубування

- Виконайте пропил із протилежної сторони зрубування принаймні на 50 мм вище горизонтальної виймки, як показано на рис. S. Пропил з протилежного боку має бути паралельний горизонтальній виймці. Зробіть пропил з протилежного боку вирубування так, щоб деревина діяла як шарнір. Він не дає дереву скручуватися та падати в неправильному напрямку. Не прорізайте шарнір.
- Коли спилювання наближається до шарніра, дерево має почати падати. Якщо є ймовірність, що дерево може впасти не в потрібному напрямку або може перехилитися назад і затиснути пильний ланцюг, припиніть різання до повного розрізання вирубки та використовуйте клини із дерева, пластику або алюмінію, щоб відкрити пропил і повалити дерево по потрібній лінії падіння.
- Коли дерево починає падати, припиніть ланцюгову пилу з пропили, зупиніть мотор, покладіть ланцюгову пилу, а потім відійдіть по запланованому шляху відступу. Будьте обережні, коли падають верхні гілки, і добре стійте на ногах.

Зрізання гілок із дерева

Ідеться про зрізання гілок із поваленого дерева. Під час зрізання гілок більші гілки мають підтримувати колоду над землею. Видаліть маленькі гілки одним зрізом, як показано на рис. T. Гілки під напругою слід зрізати знизу вгору, щоб уникнути затискання ланцюгової пили.

Розпилювання колоди

Розпилювання – це розрізання колоди в довжину. Важливо міцно стояти на ногах і рівномірно розподілити

свою вагу на обох ногах. Коли це можливо, колода має бути піднята і спиратися на гілки, колоди або підпори. Дотримуйтесь простих вказівок для легкого розрізання.

Коли колода спирається по всій довжині, як показано на рисунку U1, вона розрізається з верхньої частини (надпилювання).

Коли колода спирається на одному кінці, як показано на рис. U2, проріжте 1/3 діаметра з нижньої сторони (підпилювання). Потім зробіть остаточний надріз для з'єднання з першим прорізом.

Коли колода спирається на обидва кінці, як показано на рис. U3, проріжте 1/3 діаметра з верхньої сторони (надпилювання). Потім зробіть остаточний надріз, підпилявши решту 2/3 для з'єднання з першим прорізом.

Під час розпилювання на схилі завжди стійте вище відносно колоди, як показано на рис. V.

Під час «прорізання», щоб підтримувати повний контроль, відпустіть тиск різання біля кінця прорізу, не послабляючи хват ручок ланцюгової пили. Не допускайте контакту ланцюга із землею. Після завершення пиляння зачекайте, доки пильний ланцюг не зупиниться, перш ніж перемістити ланцюгову пилу. Завжди зупиняйте мотор, перш ніж переходити від одного дерева до іншого.

ОБСЛУГОВУВАННЯ

▲ ПОПЕРЕДЖЕННЯ. Використовуйте для технічного обслуговування лише ідентичні запчастини. Використання будь-яких інших частин створює небезпеку або може призвести до поломки виробу. Для гарантування безпеки та надійності всі ремонтні роботи повинен проводити кваліфікований технічний спеціаліст.

▲ ПОПЕРЕДЖЕННЯ. Щоб уникнути серйозних травм, завжди виймайте акумуляторну батарею з виробу, перш ніж проводити огляд, чистити або виконувати будь-яке технічне обслуговування. Акумуляторний інструмент із вставленим акумулятором завжди ввімкнений і може випадково запуститися.

▲ ПОПЕРЕДЖЕННЯ. Під час чищення ланцюгової пили НЕ занурюйте її у воду чи інші рідини.

▲ ПОПЕРЕДЖЕННЯ. Ніколи не допускайте контакту пластмасових частин із гальмівною рідиною, бензином, нафтопродуктами, проникаючими оліями і т. ін. Хімікати можуть пошкодити, ослабити або зруйнувати пластмасу, а це загрожує серйозними травмами.

ЧИЩЕННЯ

- Після кожного використання очистьте сміття з ланцюга та напрямної шини м'якою щіткою. Протріть поверхню ланцюгової пили чистою тканиною, змоченою м'яким розчином мила.
- Зніміть бічну кришку, а потім скористайтесь м'якою щіткою, щоб видалити сміття з напрямної шини, пильного ланцюга, зірочки та бічної кришки.
- Приблизно кожні 8 годин роботи знімайте нижню кришку, а потім за допомогою м'якої щітки видаляйте сміття всередині машини та на кришці (рис. W).
- Завжди вичищайте деревну стружку, пил і бруд із паза напрямної шини під час заміни пильного ланцюга.

ДОГЛЯД ЗА НАПРЯМНОЮ ШИНОЮ

Коли на напрямній шині з'являються ознаки зносу, зніміть її з приводної головки пили і переверніть її для повторного розбирання та збирання (рис. X1). Таким чином, знос буде розподілений, що продовжить термін служби напрямної шини.

Шину слід чистити кожен день після користування та перевіряти на предмет зносу та пошкодження (рис. X2). Утворення нальоту або задирок на рейках шини є нормальним процесом її зносу. Такі дефекти слід згладжувати напилком, щойно вони з'являться. Шину з будь-якими з наведених нижче дефектів слід замінити.

- Знос всередині рейок шини, що дає ланцюгу змогу лягати на бік.
- Зігнута напрямна шина
- Тріснути або зламані рейки.
- Рейки, що розійшлися.

Крім того, напрямна шина має зірочку на кінці (рис. X3).

Зірочку потрібно змащувати щотижня за допомогою масляного шприца, щоб продовжити термін служби напрямної шини. Використовуйте масляний шприц для щотижневого змащення маслом для ланцюга через змащувальний отвір (рис. W4). Поверніть напрямну шину та перевірте, чи в змащувальних отворах і пазах ланцюга немає забруднень.

X-1	Напрямні шини	X-3	Змащувальний отвір
X-2	Зірочка на кінці напрямної шини		

ПРИМІТКА. Для досягнення найкращих результатів використовуйте мастила, схвалені EGO.

UK



ТРАНСПОРТУВАННЯ ТА ЗБЕРІГАННЯ

Не зберігайте та не переміщуйте ланцюгову пилу, коли вона працює. Завжди виймайте акумуляторну батарею перед зберіганням або транспортуванням.

Завжди накладайте захисну оболонку на напрямну шину та ланцюг, перш ніж зберігати або транспортувати ланцюгову пилу. Будьте обережні, щоб уникати гострих зубців ланцюга.

Перед зберіганням слід ретельно очистити ланцюгову пилу. Зберігайте ланцюгову пилу в місці, недоступному для дітей.

Тримайте подалі корозійні агенти, такі як садові хімікати та солі проти ожеледі.

ЗАХИСТ ДОВКІЛЛЯ



Не викидайте електричне обладнання, акумулятор і зарядний пристрій у побутові відходи!

Віднесіть цей виріб авторизованому переробнику й надайте його для роздільного збирання.

Електроінструменти необхідно повернути в підприємство, що займається екологічно безпечною переробкою.

UK

УСУНЕННЯ НЕСПРАВНОСТЕЙ

⚠ ПОПЕРЕДЖЕННЯ. Завжди захищайте руки, одягаючи міцні рукавички під час виконання будь-якого технічного обслуговування на пильних ланцюгах. Під час обслуговування або транспортування ланцюгової пили завжди виймайте акумуляторну батарею.

НЕСПРАВНІСТЬ	ПРИЧИНА	ВИРІШЕННЯ
Мотор не запускається.	<ul style="list-style-type: none"> ■ Акумуляторна батарея не приєднана до ланцюгової пили. ■ Немає електричного контакту між пилою та акумулятором. ■ Якщо коло покажчика рівня палива на РК-екрані блимає, це означає, що акумулятор розряджений. ■ Якщо на РК-екрані з'являється індикатор високої температури, це означає, що акумуляторна батарея або ланцюгова пила занадто гаряча. ■ Якщо на РК-екрані з'являється значок гальма ланцюга, це означає, що спрацювало гальмо ланцюга. ■ Сміття в пазу. ■ Сміття в бічній кришці 	<ul style="list-style-type: none"> ■ Під'єднайте акумулятор до ланцюгової пили. ■ Вийміть акумуляторну батарею, перевірте контакти та знову встановіть акумуляторну батарею. ■ Зарядіть акумуляторну батарею. ■ Дайте акумуляторній батареї або ланцюговій пилі охолонути, доки температура не опуститься нижче 67°C. ■ Потягніть важіль гальма віддачі назад у напрямку передньої рукоятки в робоче положення. ■ Притисніть пильний ланцюг до дерева, переміщуйте ланцюгову пилу назад і вперед, щоб скинути сміття. ■ Вийміть акумуляторну батарею, потім зніміть бічну кришку та приберіть сміття.
Режим швидкості не можна змінити.	<ul style="list-style-type: none"> ■ Перемикач швидкості ланцюга забився сміттям. 	<ul style="list-style-type: none"> ■ Приберіть сміття навколо перемикача швидкості ланцюга.
Ланцюгова пила несподівано перестає працювати під час роботи.	<ul style="list-style-type: none"> ■ Ланцюгова пила перевантажена. ■ Якщо на РК-екрані з'являється індикатор високої температури, це означає, що акумуляторна батарея або ланцюгова пила занадто гаряча. ■ Пильний ланцюг застряг у деревині. ■ Якщо на РК-екрані блимає піктограма гальма ланцюга, це означає, що пила зупинена всенаправленою системою гальмування ланцюга. 	<ul style="list-style-type: none"> ■ Зменште навантаження. ■ Дайте акумуляторній батареї або ланцюговій пилі охолонути, доки температура не опуститься нижче 67°C. ■ Відпустіть тригерний вимикач; зніміть пильний ланцюг і напрямну шину з дерева, а потім знову запустіть ланцюгову пилу. ■ Відпустіть тригерний вимикач; зніміть пильний ланцюг і напрямну шину з дерева, а потім знову запустіть ланцюгову пилу.

UK

НЕСПРАВНІСТЬ	ПРИЧИНА	ВИРІШЕННЯ
Мотор працює, але ланцюг не обертається.	<ul style="list-style-type: none"> ■ Ланцюг не зачіпляє приводну зірочку. 	<ul style="list-style-type: none"> ■ Зніміть і встановіть на місце ланцюг, переконавшись, що приводні ланки ланцюга повністю розташовані на зірочці.
Гальмо ланцюга не спрацьовує.	<ul style="list-style-type: none"> ■ Сміття заважає повному руху важеля гальма віддачі ланцюга ■ Можлива несправність гальма ланцюга. 	<ul style="list-style-type: none"> ■ Приберіть сміття з механізму гальма зовнішнього ланцюга. ■ Зверніться до клієнтської служби EGO для ремонту.
Ланцюгова пила не ріже належним чином.	<ul style="list-style-type: none"> ■ Недостатній натяг ланцюга. ■ Тупий ланцюг. ■ Ланцюг установлено навіпаки. ■ Зношений ланцюг. ■ Сухий або надмірно натягнутий ланцюг. ■ Ланцюг не в пазу шини. 	<ul style="list-style-type: none"> ■ Перевірте натяг ланцюга згідно з розділом: «РЕГУЛЮВАННЯ НАТЯГУ ЛАНЦЮГА». ■ Заточіть ланцюг. ■ Зніміть і встановіть на місце пильний ланцюг, як описано в розділі «УСТАНОВЛЕННЯ/ЗАМІНА ШИНИ ТА ЛАНЦЮГА». ■ Замініть ланцюг, дотримуючись вказівок у розділі: «УСТАНОВЛЕННЯ/ЗАМІНА ШИНИ ТА ЛАНЦЮГА». ■ Перевірте рівень мастила. Заповніть бачок для мастила й за необхідності виберіть більший об'єм подачі мастила. ■ Перевстановіть пильний ланцюг, дотримуючись вказівок у розділі: «УСТАНОВЛЕННЯ/ЗАМІНА ШИНИ ТА ЛАНЦЮГА».
Ланцюг послаблюється або падає з напрямної шини під час нормального використання.	<ul style="list-style-type: none"> ■ Ланцюг ослабне через підвищення його температури під час нормальної роботи пили. ■ Ланцюг не зачіпляє приводну зірочку. 	<ul style="list-style-type: none"> ■ Натягніть ланцюг, як описано в розділі «РЕГУЛЮВАННЯ НАТЯГУ ЛАНЦЮГА». ■ Перевстановіть пильний ланцюг, дотримуючись вказівок у розділі: «УСТАНОВЛЕННЯ/ЗАМІНА ШИНИ ТА ЛАНЦЮГА».
Шини і ланцюги гарячі, і з них іде дим.	<ul style="list-style-type: none"> ■ Якщо на РК-екрані з'являється індикатор низького рівня мастила, це означає, що бачок для мастила ланцюга порожній. 	<ul style="list-style-type: none"> ■ Перевірте рівень мастила. У разі необхідності наповніть бачок для мастила.
	<ul style="list-style-type: none"> ■ Сміття в пазу напрямної шини. 	<ul style="list-style-type: none"> ■ Видаліть сміття з паза.

UK

НЕСПРАВНІСТЬ	ПРИЧИНА	ВИРІШЕННЯ
Індикатор низького рівня мастила з'являється на РК-дисплеї, навіть якщо в бачку достатньо мастила. Або навіть якщо в мастильному бачку бракує мастила, на РК-екрані може не відобразитися індикатор низького рівня масла.	<ul style="list-style-type: none">■ Компонент визначення рівня мастила ще не визначив справжній рівень мастила через наявність залишків мастила або повітря в мастильній трубці.■ Несправність компонента з визначенням рівня мастила.	<ul style="list-style-type: none">■ Зачекайте кілька хвилин, доки залишки мастила або повітря вийдуть із мастильної трубки.

ГАРАНТІЯ

ПРАВИЛА ГАРАНТІЇ EGO

Відвідайте веб-сайт egopowerplus.eu для отримання повного тексту умов гарантійної політики EGO.

ПРОЧЕТЕТЕ ВСИЧКИ ИНСТРУКЦИИ!



ПРОЧЕТЕТЕ РЪКОВОДСТВОТО НА ОПЕРАТОРА

▲ ПРЕДУПРЕЖДЕНИЕ: За да осигурите безопасността и надеждността, всички поправки трябва да се извършват от квалифициран сервизен техник.

▲ ПРЕДУПРЕЖДЕНИЕ: Уверете се, че сте прочели и осъзнали всички инструкции за безопасност в това Ръководство на оператора, включително всички известяващи символи за безопасност, като „ОПАСНОСТ“, „ПРЕДУПРЕЖДЕНИЕ“ и „ВНИМАНИЕ“ преди да използвате този инструмент. Неспазването на всички инструкции изброени долу може да доведе до

електрически удар, пожар и/или сериозно нараняване.

ЗАПАЗЕТЕ ВСИЧКИ ПРЕДУПРЕЖДЕНИЯ И ИНСТРУКЦИИ ЗА БЪДЕЩА СПРАВКА.

СИМВОЛИ ЗА БЕЗОПАСНОСТ

▲ ПРЕДУПРЕЖДЕНИЕ: Експлоатацията на всички електрически инструменти, може да доведе до изхвърляне на чужди предмети към вашите очи, което може да доведе до сериозно нараняване на очите. Преди започване на работа с електрически инструмент, винаги носете предпазни очила със странична защита и визьор за цялото лице, когато е необходимо. Ние препоръчваме предпазна маска с широк визьор за употреба над очила или стандартни предпазни очила със странична защита.



Сигнал за безопасност



Носете защита за очите



Носете защита за главата



Пазете се от откат на верижния трион и избягвайте контакт с върха на шината



Информация за водещата шина



Гарантирано ниво на мощност на звука. Звуквите емисии към околната среда са в съответствие с директивите на европейската общност.



Този продукт е в съответствие с приложените директиви на ЕС.



Bluetooth®

mm Милиметър

V Напрежение

IPX5 Защита срещу водни струи



За намаляване на опасността от нараняване, потребителят трябва да прочете и разбере ръководството на оператора преди използването на този продукт.



Носете защита за слуха



Носете защитни ръкавици



Откат на върха на водещата шина



Винаги използвайте верижния трион с две ръце



Отпадъчните електрически продукти не трябва да бъдат изхвърляни заедно с домакинския отпадък. Отнесете го до утълномощено място за рециклиране.



Този продукт е в съответствие с приложеното законодателство на Великобритания.



Постоянен ток

n_0 Скорост без натоварване

./min В минута

СПЕЦИФИКАЦИИ

Номинално напрежение	56V	
Макс. Скорост на веригата	30 m/s	
Стъпка на веригата	8,255 mm / 0,325"	
Измервателен уред за веригата	1,3 mm	
Дължина на водещата шина	50 cm	
Модел на веригата за трион	AC2035 (препоръчително)	
	AC1635, AC1835 (Съвместим)	
Модел на веригата и водещата шина на триона	AK2035 (препоръчително)	
	AK1635, AK1835 (Съвместим)	
Обем на резервоара за верижно масло	250 ml	
Тегло (без акумулаторна батерия, верига на триона, водеща шина, страничен капак, масло и капак на веригата)	4,3 kg	
Препоръчителна работна температура	-15°C – 40°C	
Препоръчителна температура на съхранение	-20°C – 70°C	
Препоръчителна температура на зареждане	5°C – 40°C	
Измерено ниво на сила на звука L_{WA}	102 dB(A) K=2,3 dB(A)	
Ниво на звуково налягане в работна позиция L_{PA}	92 dB(A) K=3 dB(A)	
Гарантирано ниво на сила на звука L_{WA} (съгласно 2000/14/EC)	104 dB(A)	
Вибрации a_n	Предна ръкохватка	3,3 m/сек ² K=1,5 m/s ²
	Задна ръкохватка	1,74 m/сек ² K=1,5 m/s ²

- Декларираният общ размер на вибрации е измерен в съответствие със стандартния метод за тест и може да бъде използван за сравнение между два инструмента;

- Декларираният общ размер на вибрации може също така да бъде използван за предварителна оценка на влиянието.

БЕЛЕЖКА: Вибрационните емисии по време на действителната употреба на електрическия инструмент може да се различава от декларираната стойност. С цел да се защити оператора, потребителят трябва да носи ръкавици и антифони в действителни условия на работа.

ОПАКОВЪЧЕН ЛИСТ (ФИГ. А1)

ОПИСАНИЕ

ЗАПОЗНАЙТЕ СЕ С ВАШИЯ ВЕРИЖЕН ТРИОН (Фиг. А1)

1. Верига за трион
2. Спирачна накладка за откат на веригата
3. Предна ръкохватка
4. LCD екран
5. Ниво на скоростта
6. Икона на Bluetooth
7. Икона на фара
8. Икона на спирачката
9. Индикатор за висока температура
10. Измервателно кръгче за горивото
11. Ниво на тока на натоварване
12. Индикатор за ниско ниво на маслото
13. Бутон за фара/Bluetooth
14. Бутон за подаване на масло
15. Ниво на изходното масло
16. Бутон за отключване
17. Спусък превключвател
18. Задна ръкохватка
19. Превключвател за скоростта на веригата
20. Бутон за освобождаване на батерията
21. Прозорец за проверка на маслото
22. Капачка на масления резервоар
23. Водеща шина
24. Отвор за смазване
25. Болт за обтягане на веригата
26. Страничен капак
27. Контрагайки
28. Захващащи шипове
29. LED фар
30. Капак на веригата
31. Многофункционален гаечен ключ

МОНТАЖ

СГЛОБЯВАНЕ/ПОДМЯНА НА ШИНАТА И ВЕРИГАТА

▲ ПРЕДУПРЕЖДЕНИЕ: Регулирайте ръкохватката със спирачка при откат на веригата в спирачна позиция преди монтаж.

1. Поставете захранващата глава на верижния трион на едната страна, като страничния капак сочи нагоре (Фиг. В).
2. Отстранете страничния капак, като завъртите двете контрагайки обратно на часовниковата стрелка.
3. Завъртете болта за обтягане на веригата обратно на часовниковата стрелка, за да разхлабите обтягането на веригата.
4. Поставете веригата за трион в затворен кръг върху равна повърхност и изправете всички прегъвания (Фиг. С).
5. Поставете задвижващите звена на веригата в жлеба на водещата шина и направете ухо на веригата в задната част на водещата шина (Фиг. D).
6. Дръжте веригата на позиция във водещата шина и поставете ухото във верижното зъбно колело на триона (Фиг. E1).

B-1	Контрагайки	D-2	Жлеб на водещата шина
B-2	Болт за обтягане на веригата	E-1	Задвижващо верижно зъбно колело
D-1	Задвижващи звена за веригата		

БЕЛЕЖКА: Когато завъртате веригата на триона върху водещата шина, уверете се, че след като монтирате водещата шина върху триона, ориентацията на ножа съвпада с иконата на ножа за посока на въртене върху корпуса. Ако те са насочени в противоположни посоки, монтирайте отново веригата на триона върху водещата шина така, че символите да са насочени в същата посока (Фиг. E2).

BG

7. Поставете обратно страничния капак върху корпуса на верижния трион и затегнете напълно двете контрагайки.
8. Завъртете веригата на ръка, за да проверите дали веригата е правилно монтирана без триене. В противен случай монтирайте отново веригата и шината.

БЕЛЕЖКА: За да удължите живота на водещата шина понякога обръщайте шината.

РЕГУЛИРАНЕ НА ОБТЯГАНЕТО НА ВЕРИГАТА

- Спрете мотора и отстранете акумулаторната батерия, преди регулиране на обтягането на веригата. Завъртете болта за обтягането на веригата по посока на часовниковата стрелка или обратно на часовниковата стрелка, за да регулирате обтягането на веригата (Фиг. F), докато веригата легне плътно към водещата шина със задвижващите звена в жлеба на водещата шина.
- Студена верига е правилно обтегната, когато няма провисване от долната страна на водещата шина и веригата е плътна, но може да бъде завъртяна с ръка без блокиране. Веригата трябва да бъде обтегната отново, когато плоскостите на зъбците не стоят в жлеба на шината.
- По време на нормална работа на триона, температурата на веригата ще се повиши. Зъбците на правилно обтегната топла верига ще висят приблизително 1,3 мм извън жлеба на шината (Фиг. G).

БЕЛЕЖКА: Новите вериги имат свойството да се разтягат, проверявайте често обтягането и обтегнете ако е необходимо.

БЕЛЕЖКА: Верига, която е обтегната докато е топла, може да бъде твърде стегната при охлаждане. Проверете студено обтягане преди следваща употреба.

ЕКСПЛОАТАЦИЯ

▲ ПРЕДУПРЕЖДЕНИЕ: Не позволявайте рутината с този продукт да ви направи непредпазливи. Запомнете, че невнимание за малка част от секундата е достатъчна за да нанесе сериозно нараняване.

▲ ПРЕДУПРЕЖДЕНИЕ: Не използвайте други приставки или аксесоари, които не са препоръчани от производителя на този продукт. Употребата на приставки или аксесоари, които не са препоръчани, може да доведе до сериозно нараняване.

▲ ПРЕДУПРЕЖДЕНИЕ: За да предотвратите случайно стартиране, което би могло да причини сериозно нараняване, винаги отстранявайте

акумулаторния комплект от инструмента, когато монтирате части, извършвате настройки, почиствате или когато не се използва.

Преди всяка употреба проверявайте целия продукт за повредени, липсващи или разхлабени части, като винтове, гайки, болтове, капачки и др. Затегнете сигурно всички закопчалки и капачки и не работете с този продукт, докато всички повредени или липсващи части не бъдат подменени.

ПРИЛОЖЕНИЯ

Може да използвате този продукт за базово сечене, кастрене, резитба и рязане на дървен материал от трупи и дървета.

БЕЛЕЖКА: Машината трябва да се използва само за предназначения цели. Всяка друга употреба се смята за случай на злоупотреба.

НАПЪЛНЕНЕТО СМАЗКА ЗА ШИНАТА И ВЕРИГАТА

▲ ПРЕДУПРЕЖДЕНИЕ: Не пушете или не носете огън или пламък в близост до маслото или до верижния трион. Маслото може да се разлее и да причини пожар.

БЕЛЕЖКА: Верижният трион не е напълнен с масло по времето на покупката. Изключително важно е да напълните резервоара с масло преди употреба. Веригата се смазва автоматично с верижно масло по време на работа.

1. Поставете верижния трион на едната страна с капачка на резервоара сочеща нагоре.
2. Почистете капачката на масления резервоар и зоната около него за да се уверите, че не попада мръсотия в масления резервоар.
3. Повдигнете полукръглата пластина и завъртете капачката на масления резервоар обратно на часовника за да я премахнете (Фиг. Н).
4. Внимателно налейте верижното масло в резервоара. Напълнете до дъното на гърловината за пълнене.
5. Избършете излишното масло и поставете капачката.

БЕЛЕЖКА: Проверявайте често нивото на маслото и доливайте, когато нивото на маслото падне под линията за минимум. Не работете никога с верижния трион, ако маслото не се вижда.

МОНТИРАНЕ/ИЗВАЖДАНЕ НА АКУМУЛАТОРНАТА БАТЕРИЯ

БЕЛЕЖКА: Измервателното кръгче за гориво на LCD екрана показва нивото на заряда на батерията (Фиг. А1). Кръгът ще мига, когато зарядът на батерията е близо до изчерпване. Заредете напълно акумулаторната батерия преди първа употреба.

Използвайте единствено акумулаторни батерии EGO и зарядни устройства изброени във Фиг. А2.

Заредете напълно преди първата употреба.

За да закрепите

Подравнете ребрата на акумулаторната батерия с монтажните жлебове и натиснете батерията надолу, докато чуе „щракване“ (Фиг. I).

За да извадите

Натиснете бутона за освобождаване на батерията и издърпайте акумулаторната батерия навън (Фиг. J).

СТАРТИРАНЕ/СПИРАНЕ НА ВЕРИЖНИЯ ТРИОН

БЕЛЕЖКА: Преди стартиране на верижния трион проверете нивото на маслото, зъбите на триона за острота и правилната работа на спирачната накладка за откат. Освен това са необходими балансирана позиция на краката и правилно разстояние далеч от земята.

За стартиране (Фиг. К)

1. Издърпайте спирачната накладка за откат на веригата в посока на предната ръкохватка към работната позиция (Фиг. К).
2. Хванете здраво предната ръкохватка с лявата ръка, а задната ръкохватка с дясната ръка.

▲ ПРЕДУПРЕЖДЕНИЕ: За да избегнете нараняване, винаги използвайте верижния трион с дясната ръка, хващайки областта на захващане на задната ръкохватка (Фиг. L).

3. Натиснете и задръжте бутона за отключване с палеца на дясната си ръка, след това натиснете спусъка превключвател с пръстите на дясната си ръка, за да стартирате триона (Фиг. L).

L-1	Зона за захващане
-----	-------------------

4. Освободете бутона за отключване и продължете да стискате спусъка превключвател за продължителна работа.
5. Колкото по-натиснат е спусъкът превключвател, толкова по-голяма е скоростта на веригата.

Регулирайте скоростта за да е подходяща за настоящата задача.

⚠ ПРЕДУПРЕЖДЕНИЕ: Не се опитвайте да стартирате триона, когато веригата на триона е в разрез.

За да спрете

1. Отдалечете верижния трион от зоната на рязане и след това освободете спусъка превключвател, за да спрете верижния трион.
2. Натиснете спирачката накладка за откат на веригата напред към позицията за спиране, за да активирате спирачката на веригата (Фиг. К).

⚠ ПРЕДУПРЕЖДЕНИЕ: Винаги изваждайте акумулаторната батерия от машината по време на работни прекъсвания и след завършване на работата.

ПРОМЯНА НА РЕЖИМА НА СКОРОСТТА (ФИГ. М)

Машината разполага с три режима на скорост. Всеки режим на скорост ограничава максималната скорост на верижния трион. Режимът на скорост ще се променя с всяко натискане на превключвателя за скоростта на веригата.

Нивото на скоростта на LCD екрана ще показват активния режим на скорост: една лента за ниска скорост, две ленти за средна скорост и три ленти за висока скорост. Режимът за ниска скорост (ECO) осигурява по-добър контрол върху машината и по-дълго време за работа с едно зареждане.

M-1	Ниво на скоростта	M-7	Ниво на тока на натоварване
M-2	Икона на Bluetooth	M-8	Бутон за фара/Bluetooth
M-3	Икона на фара	M-9	Бутон за подаване на масло
M-4	Икона на спирачката	M-10	Превключвател за скоростта на веригата
M-5	Индикатор за висока температура	M-11	Ниво на изходното масло
M-6	Измервателно кръгче за горивото	M-12	Индикатор за ниско ниво на маслото

БЕЛЕЖКА: Когато използвате акумулаторна батерия EGO с номинална стойност 4,0 Ah или по-малко, възможен е само режим ECO. А употребата на

акумулаторна батерия EGO с номинал по-малко от 6,0 Ah няма да ви позволи да достигнете максимална скорост. За най-добра производителност настоятелно препоръчваме използване на батерии EGO от 6,0 Ah (напр. BA3360T) или повече.

БЕЛЕЖКА: Верижният трион разполага с функция за запаметяване на скоростта на веригата. При следващото включване на верижния трион ще се активира използваният преди това режим на скорост.

БЕЛЕЖКА: LCD екранът светва при натискане на спусъка или при натискане на бутона за подаване на масло или бутона за фара/Bluetooth. По подразбиране LCD екранът се изключва автоматично след около 1 секунда бездействие.

БЕЛЕЖКА: Натискането на превключвателя за скоростта на веригата няма да включи LCD екрана.

НИВО НА НАТОВАРВАНЕ (Фиг. М)

Нивото на натоварване в дясната част на LCD екрана показва текущото натоварване на машината. По-големият брой стълбчета показва по-голямо натоварване, а по-малкият брой стълбчета – по-малко натоварване.

Тази функция е предназначена предимно за опитни потребители на верижни триони с газово задвижване, които може да нямат „усещане“ за поведението на акумулаторния трион при различни натоварвания. Тя помага на потребителите да следят работното натоварване, така че да се избегне продължителна работа при голямо натоварване, което може да доведе до спиране на верижния трион по време на работа поради прекалено загряване.

ИНДИКАТОР ЗА ВИСОКА ТЕМПЕРАТУРА (Фиг. М)

Индикаторът за висока температура светва, когато температурата на машината надхвърли 90 °C (194 °F) или температурата на батерията надхвърли 70 °C (158 °F) по време на работа. Веригата за температурна защита незабавно изключва машината, за да предотврати повреда от прегряване. Отпуснете спусъка и изчакайте, докато прегрялата машина или батерия изстине и индикаторът за висока температура се изключи, след което рестартирайте машината.

ИКОНА НА СПИРАЧКАТА (Фиг. М)

Иконата на спирачката се показва на LCD екрана, когато лостчето за спирачката е в позиция за спиране. Иконата на спирачката ще мига, когато многопосочната спирачна система на веригата спира триона. Вижте следващата глава за подробна информация.

МНОГОПОСОЧНА ВЕРИЖНА СПИРАЧНА СИСТЕМА (Фиг. N1 и Фиг. N2)

Многопосочната верижна спирачна система не е предназначена да действа в замяна на стандартната/традиционната верижна спирачка. Потребителят не трябва да разчита на тази функция по време на работата на верижния трион, за да се предпази от откат. Винаги следвайте инструкциите за безопасност свързани с възникването на откат в предупредителния раздел на това ръководство.

Когато многопосочната спирачна система е активирана и спре триона, иконата на спирачката ще мига на LCD екрана (Фиг. M). Освободете спусъка, извадете веригата на триона и направляващата шина от дървото и рестартирайте верижния трион.

БЕЛЕЖКА: Сензорите ще доловят само внезапно движение на триона в равнината на водещата шина (Фиг. N1). Сензорите няма да доловят никакво внезапно движение на страничните направляващи на триона (Фиг. N2) (т.е. перпендикулярно на равнината на водещата шина).

ИЗХОДНО НИВО НА МАСЛОТО И ИНДИКАТОР ЗА НИСКО НИВО НА МАСЛОТО (Фиг. M)

Машината автоматично смазва веригата. Този верижен трион позволява да променят дебита на подаване на масло с всяко натискане на бутона за подаване на масло.

БЕЛЕЖКА: Дебитът на маслото може да се променя само когато верижният трион не работи.

Изходното ниво на маслото на LCD екрана ще показва изходния дебит на маслото. Една лента за нисък изходен дебит, две ленти за среден изходен дебит и три ленти за висок изходен дебит.

Изберете по-висок изходен дебит за по-висока скорост на веригата. Ако веригата на триона изсъхне по време на работа, спрете двигателя и изберете по-висок изходен дебит на маслото.

Когато нивото на маслото е ниско, ще се покаже индикаторът за ниско ниво на маслото над лентите за изходно ниво на маслото на LCD екрана и ще бъде наличен само нисък изходен дебит. Спрете верижния трион и напълнете резервоара за масло, като следвате глава **ПЪЛНЕНЕ НА РЕЗЕРВОАРА ЗА МАСЛО СЪС СМАЗОЧНО ВЕЩЕСТВО ЗА ПИНАТА И ВЕРИГАТА.**

След като напълните резервоара за масло, пуснете верижния трион за около 10 секунди, за да може системата за автоматично смазване да започне да

работи и индикаторът да изчезне от LCD екрана.

БЕЛЕЖКА: Ако след извършване на горните стъпки индикаторът все още е на LCD екрана, системата може да е повредена. Спрете да използвате верижния трион и се обърнете към упълномощен сервизен център на EGO за ремонт.

LED ФАР (Фиг. O)

LED фарът се намира в предната част на корпуса на верижния трион. Фарът осигурява осветление за по-голяма видимост и разполага с 2 нива на яркост.

За да включите фара, натиснете бутона за фара/Bluetooth (Фиг. M) веднъж. Фарът ще се включи на ниско ниво на яркост и иконата на фара с ниска яркост ще се появи на LCD екрана. Натиснете отново бутона за фара/Bluetooth, за да превключите на високо ниво на яркост и иконата на фара с висока яркост ще се появи на LCD екрана.

За да изключите фара, натиснете бутона за фара/Bluetooth за трети път и иконата на фара ще изчезне от LCD екрана.

0-1	Икона на фара с ниска яркост	0-3	LED фар
0-2	Икона на фара с висока яркост		

КОМУНИКАЦИОННА ТЕХНОЛОГИЯ

За информация относно пълната ни гама от свързани продукти и услуги, включително инструкции за свързване, моля, сканирайте QR кода по-долу или посетете www.egopowerplus.eu/connect.



ПРАВИЛЕН ЗАХВАТ НА РЪКОХВАТКИТЕ (ФИГ. P1)

- Носете неплъзгащи се ръкавици за максимален захват и защита.
- При оставен трион на твърда, равна повърхност хванете триона здраво с двете ръце.
- Винаги хващайте предната ръкохватка с лявата ръка, а задната ръкохватка с дясната ръка.
- Пръстите трябва да обхвалят ръкохватката, като палецът е обвит под предната

BG

ръкохватка.

⚠ ПРЕДУПРЕЖДЕНИЕ: Никога не използвайте хват за лява ръка (кръстосани ръце) или каквато и да е поза, която ще постави вашето тяло или ръка над линията на веригата.

⚠ ПРЕДУПРЕЖДЕНИЕ: Не работете със спусък превключвателя с лявата си ръка и дръжте предната ръкохватка с дясната си ръка. Не позволявайте никога част от тялото ви да е в линията на веригата, когато работите с верижния трион (Фиг. P2).

ПРАВИЛНА ПОЗА ЗА РЯЗАНЕ (ФИГ. Q)

- Двата крака трябва да са на твърда земя, като теллото е равномерно разпределено между тях.
- Лявата ръка трябва да бъде права, като лакътят е заключен. Това позволява да се устои на силите, генерирани при откат.
- Вашето тяло винаги трябва да бъде от ляво на линията на веригата.

ИНСТРУКЦИИ СВЪРЗАНИ С ПРАВИЛНИТЕ ТЕХНИКИ ЗА ОСНОВНО СЕЧЕНЕ, КАСТРЕНЕ И НАПРЕЧНО РЯЗАНЕ

⚠ ПРЕДУПРЕЖДЕНИЕ: Винаги бъдете сигурни за позицията на краката и дръжте верижния трион здраво с двете ръце, докато моторът все още се движи.

⚠ ПРЕДУПРЕЖДЕНИЕ: Когато верижният трион е спрял поради заклещване, по време на рязане, освободете спусъка, извадете веригата на триона и водещата шина от дървото и след това стартирайте отново верижния трион.

⚠ ПРЕДУПРЕЖДЕНИЕ: Не дърпайте веригата на триона с ръка, когато е залепнала от дървени стърготини. Може да доведе до сериозно нараняване ако верижният трион стартира инцидентно. Натиснете веригата на триона срещу дървото, преместете верижния трион напред и назад за да освободите отломките. Винаги изваждайте акумулаторната батерия преди почистване. Носете ръкавици за тежка употреба, когато боравите с веригата на триона.

⚠ ПРЕДУПРЕЖДЕНИЕ: Никога не стартирайте верижния трион, когато е в контакт с дървото. Винаги позволявайте верижният трион да достигне пълна скорост, преди да поставите триона върху дървото.

СЕЧЕНЕ НА ДЪРВО

- Когато се извършват дейности по бичене и сечене

от двама или повече хора по едно и също време, операторът, които сече трябва да бъде отдалечен от операторът, който разбичва, на разстояние поне два пъти височината на дървото, което се сече. Дърветата не трябва да бъдат сечени, по начин, който застрашава някой човек, може да удари линия за комунални услуги или да причини щети по собствеността. Ако дървото влезе в контакт с линия за комунални услуги, компанията трябва да бъде информирана незабавно.

- Операторът на триона трябва да стои от горната страна на терена, тъй като дървото е вероятно да се изтърколи или плъзне надолу по склона, след като е отсечено.
- Път за изход трябва да бъде планиран и почистен при необходимост, преди стартиране на рязането. Пътят за изход трябва да продължи назад и диагонално към задната страна на очакваната линия на падане, както е показано на Фиг. R.

R-1	Посока на сеч
R-2	Път за безопасно оттегляне

- Преди започване на сечта обърнете внимание на естествения наклон на дървото, позицията на по-големите клонови и посоката на вятъра, за да прецените на коя посока ще падне дървото.
- Отстранете мръсотията, камъните, разлепената кора, пироните, скобите и жиците от дървото.

Издълбаване на подрязване

Направете прорез на 1/3 от диаметъра на дървото, перпендикулярен на посоката на падане, както е показано на Фиг. S. Първи направете долен хоризонтален издълбаващ разрез. Това ще помогне да се избегне защипване на веригата на триона или на водещата шина, когато се направи вторият прорез.

S-1	Посока на падане	S-3	Заден сечащ разрез
S-2	Жлеб	S-4	Шарнир

Заден сечащ разрез

- Направете задния сечащ разрез поне на 50 mm по-високо от хоризонталния издълбаващ разрез, както е показано на Фиг. S. Дръжте сечащия заден разрез успореден на хоризонталния издълбаващ разрез. Направете задния сечащ разрез, така че да остане достатъчно дърво, което да действа като

шарнир. Шарнирната дървесина предпазва дървото от усукване и падане в грешна посока. Не режете през шарнира.

- Когато сеченето доближи до шарнира, дървото трябва да започне да пада. Ако има шанс дървото да не падне в желаната посока или ако може да се залюлее назад и да защити веригата на триона, спрете рязането преди завършването на отсичащия заден разрез и използвайте клинове от дърво, пластмаса или алуминий, за да отворите разреза и да свалите дървото по желаната траектория на падане.
- Когато дървото започне да пада, извадете верижния трион от разреза, спрете мотора, оставете верижния трион на земята и използвайте планирания път за оттегляне. Внимавайте за падащи клони отгоре и гледайте къде ходите.

Кастрене на дърво

Кастренето е премахване на клоните от паднало дърво. Когато кастрите оставете по-големите долни клони за да поддържат трупата над земята. Премахнете малките клони с един разрез, както е показано на Фиг. Т. Клоните под напрежение трябва да бъдат рязани от долу нагоре, за да се избегне зацъпване на верижния трион.

Разбичване на трупа

Разбичването е рязане на трупа по дължина. Важно е да се уверите, че стойката на краката е здрава и вашето тегло е равномерно разпределено между двата крака. Когато е възможно трупата трябва да бъде повдигната и поддържана, като се използват клоните, други трупи или клинове. Следвайте обикновени посоки за лесно рязане.

Когато трупата е поддържана по цялата си дължина, както показва Фиг. U1, тя се реже от горе (разбичване от върха).

Когато трупата е поддържана от единия край, както показва Фиг. U2, отрежете 1/3 от диаметъра от долната страна (разбичване от долу). След това направете окончателния разрез от горната страна, който да срещне първия разрез.

Когато трупата е поддържана от двата края, както показва Фиг. U3, отрежете 1/3 от диаметъра от горната страна (разбичване от горе). След това направете окончателния разрез от долните 2/3 с разбичване от долу, който да срещне първия разрез.

Когато разбичвате под наклон, винаги стойте от високата страна на трупата, както е показано на Фиг. V.

Когато "изрязвате", за да запазите пълен контрол,

освободете натиска на рязане в близост до края на разреза, без да отпускате вашия захват на ръкохватките верижния трион. Не позволявайте на веригата да влезе в контакт със земята. След завършване на разреза изчакайте веригата на триона да спре, преди да преместите верижния трион. Винаги спирайте мотора, преди да се преместите от дърво на дърво.

ПОДДРЪЖКА

⚠ ПРЕДУПРЕЖДЕНИЕ: Когато обслужвате, използвайте само идентични резервни части. Употребата на каквито и да е други части може да създаде опасност или да предизвика повреда на продукта. За да осигурите безопасността и надеждността, всички поправки трябва да се извършват от квалифициран сервизен техник.

⚠ ПРЕДУПРЕЖДЕНИЕ: За да избегнете сериозно нараняване, винаги изваждайте акумулаторната батерия от продукта преди проверка, почистване или извършване на поддръжка. Инструментът захранван с батерия е винаги включен, когато батерията е поставена и може да стартира инцидентно.

⚠ ПРЕДУПРЕЖДЕНИЕ: Когато почиствате верижния трион НЕ го потапяйте във вода или други течности.

⚠ ПРЕДУПРЕЖДЕНИЕ: Никога не позволявайте спирачна течност, бензин, петролни продукти, проникващи масла и т.н. да влизат в контакт с пластмасовите части. Химикалите могат да повредят, отслабят или разрушат пластмаса, което може да доведе до сериозно нараняване.

ПОЧИСТВАНЕ

- След всяка употреба почистете натрупванията от веригата и водещата шина с мека четка. Избършете повърхността на верижния трион с мека кърпа навлажнена с мек сапунен разтвор.
- Извадете капака на зъбното колело за веригата и след това използвайте мека четка за да отстраните натрупванията от водещата шина, веригата на триона, зъбното колело и страничния капак.
- Сваляйте долния капак на всеки 8 часа работа, след което с мека четка отстранявайте замърсяванията вътре в машината и по капака (Фиг. W).
- Винаги почиствайте дървените стърготини, праха от рязане и мръсотията от жлеба на водещата

шина, когато подменят веригата на триона.

ПОДДРЪЖКА НА ВОДЕЩАТА ШИНА

Когато водещата шина покаже признаци на износване, демонтирайте я от захранващата глава на верижния трион и я обърнете за повторен монтаж (Фиг. X1).

По този начин износването ще бъде разпределено до удължаване до максимум на живота на водещата шина.

Шината трябва да бъде почиствана всеки ден, когато се употребява и да бъде проверявана за износване и повреди (Фиг. X2). Изтъняване или изстъргване на релсите на шината е нормален процес на износване на шината. Такива дефекти, трябва да бъдат загладени с пила веднага след като се случат. Шина с някой от следните дефекти трябва да бъде подменена.

- Износване от вътрешната страна на релсите на шината, което позволява на веригата да лежи на страни.
- Изкривена водеща шина.
- Напукани или счупени релси.
- Раздалечени релси.

В допълнение, водещата шина има верижно зъбно колело на върха си (Фиг. X3).

Зъбното колело трябва да бъде ежедневно смазвано с гресьорка за да се удължи живота на водещата шина. Използвайте гресьорка за смазване всяка седмица с верижно масло в отвора за смазване (Фиг. W4). Завъртете водещата шина и проверете дали отворите за смазване и жлебът на веригата са чисти от мръсотия.

X-1	Релси на шината	X-3	Отвор за смазване
X-2	Смазване на зъбното колело във водещата шина		

БЕЛЕЖКА: Използвайте одобрени от EGO смазочни материали за най-добри резултати.

BG

ТРАНСПОРТИРАНЕ И СЪХРАНЕНИЕ

Не оставяйте или транспортирайте верижния трион, когато работи. Винаги изваждайте акумулаторната батерия преди съхранение или транспортиране.

Винаги поставяйте капака на водещата шина преди да съхранявате или транспортирате верижния трион. Бъдете внимателни за да избегнете острите зъби на веригата.

Почистете изцяло верижния трион преди съхраняване.

Съхранете верижния трион на закрито, на сухо място, което е заключено и/или недостъпно за деца.

Пазете го от корозивни препарати като градински химикали и сол за обезледяване.

ОПАЗВАНЕ НА ОКОЛНАТА СРЕДА



Не изхвърляйте електрическо оборудване, използвана батерия или зарядно устройство в домакинския отпадък!

Отнесете продукта до упълномощена фирма за рециклиране и го предоставете за разделно събиране. Електрическите инструменти трябва да бъдат връщани в съоръжения за рециклиране съвместими с околната среда.

ОТСТРАНЯВАНЕ НА ПРОБЛЕМИ

⚠ ПРЕДУПРЕЖДЕНИЕ: Винаги защитавайте ръцете си, като носите ръкавици за тежка употреба, когато извършвате поддръжка на верижния трион. Винаги изваждайте батерията, когато обслужвате или транспортирате верижния трион..

ПРОБЛЕМ	ПРИЧИНА	РЕШЕНИЕ
Моторът не стартира.	<ul style="list-style-type: none"> ■ Аккумуляторната батерия не е прикрепена към верижния трион. ■ Няма електрически контакт между триона и аккумуляторната батерия. ■ Ако измервателното кръгче за гориво на LCD екрана мига, аккумуляторът е изтощен. ■ Ако на LCD екрана се покаже индикаторът за висока температура, аккумуляторната батерия или верижният трион са твърде горещи. ■ Ако на LCD екрана се показва иконата за спирачка на веригата, спирачката на веригата е включена. ■ Отломки в жлеба на шината. ■ Отломки в страничния капак. 	<ul style="list-style-type: none"> ■ Закрепете аккумуляторната батерия към верижния трион. ■ Извадете аккумуляторната батерия, проверете контактите и поставете наново аккумуляторната батерия. ■ Заредете аккумуляторната батерия. ■ Позволете на аккумуляторната батерия или верижния трион да се охлади, докато температурата спадне под 67°C. ■ Издърпайте спирачната накладка за откат на веригата в посока на предната ръкохватка до работната позиция. ■ Натиснете веригата на триона срещу дървото, преместете верижния трион напред и назад за да освободите отломките. ■ Извадете батерията, след това извадете страничния капак и почистете отломките.
Режимът на скоростта не може да бъде променен.	<ul style="list-style-type: none"> ■ Превключвателят на скоростта на веригата е заседнал поради отлагания. 	<ul style="list-style-type: none"> ■ Почистете отлаганията около превключвателя на скоростта на веригата.

ПРОБЛЕМ	ПРИЧИНА	РЕШЕНИЕ
Верижният трион неочаквано спира да работи по време на работа.	<ul style="list-style-type: none"> ■ Верижният трион е претоварен. ■ Ако на LCD екрана се покаже индикаторът за висока температура, акумулаторната батерия или верижният трион са твърде горещи. ■ Веригата на триона е заседнала в дървото. ■ Ако иконата на спирачката ще мига на LCD екрана, трионът е спрял от спирачната система на многопосочната верига. 	<ul style="list-style-type: none"> ■ Намалете натоварването. ■ Позволете на акумулаторната батерия или верижния трион да се охладят, докато температурата спадне под 67°C. ■ Освободете спусъка, извадете веригата на триона и направляващата шина от дървото и рестартирайте верижния трион. ■ Освободете спусъка, извадете веригата на триона и направляващата шина от дървото и рестартирайте верижния трион.
Моторът работи, но веригата не се върти.	<ul style="list-style-type: none"> ■ Веригата не е зацепена във задвижващото зъбно колело. 	<ul style="list-style-type: none"> ■ Монтирайте повторно веригата, като се уверите, че задвижващите звена на веригата са напълно поставени върху верижното зъбно колело.
Спирачката за веригата не се активира.	<ul style="list-style-type: none"> ■ Отпадъците пречат на пълното движение на спирачната накладка за откат на веригата. ■ Възможна неизправност на спирачката на веригата. 	<ul style="list-style-type: none"> ■ Почистете отпадъците от външния механизъм на спирачката на веригата. ■ Свържете се с обслужване на клиенти на EGO за ремонт.
Верижният трион не реже правилно.	<ul style="list-style-type: none"> ■ Недостатъчно обтягане на веригата. ■ Изтъпена верига. ■ Веригата е монтирана назад. ■ Износена верига. ■ Суха или прекалено разтеглена верига. ■ Веригата не е в жлеба на шината. 	<ul style="list-style-type: none"> ■ Настройте обтягането на веригата, като следвате раздел: „РЕГУЛИРАНЕ НА ОБТЯГАНЕТО НА ВЕРИГАТА“. ■ Заточете веригата. ■ Инсталирайте отново верижния трион като следвате раздела „МОНТАЖ/ЗАМЯНА НА ШИНАТА И ВЕРИГАТА“. ■ Подменете веригата на триона, като следвате раздел: „МОНТАЖ/ЗАМЯНА НА ШИНАТА И ВЕРИГАТА“. ■ Проверете нивото на маслото. Напълнете отново резервоара за масло и изберете по-голям обем на подаване на масло, ако е необходимо. ■ Монтирайте отново веригата на триона, като следвате раздел: „МОНТАЖ/ЗАМЯНА НА ШИНАТА И ВЕРИГАТА“.

ПРОБЛЕМ	ПРИЧИНА	РЕШЕНИЕ
Веригата се разхлабва или пада от водещата шина по време на нормална употреба.	<ul style="list-style-type: none"> ■ Веригата се разхлабва, тъй като по време на нормална работа на триона, температурата на веригата се повишава. ■ Веригата не е зацепена във задвижващото зъбно колело. 	<ul style="list-style-type: none"> ■ Увеличете обтягането на веригата, следвайки раздел "РЕГУЛИРАНЕ НА ОБТЯГАНЕТО НА ВЕРИГАТА". ■ Монтирайте отново веригата на триона, като следвате раздел: "МОНТАЖ/ЗАМЯНА НА ШИНАТА И ВЕРИГАТА".
Щангата и веригата се нагорещяват и пушат.	<ul style="list-style-type: none"> ■ Ако на LCD екрана се покаже индикаторът за ниско ниво на маслото, резервоарът за масло за веригата е празен. 	<ul style="list-style-type: none"> ■ Проверете нивото на маслото. Напълнете контейнера за масло ако е необходимо. ■ Почистете отломките в жлеба.
	<ul style="list-style-type: none"> ■ Отломки в жлеба на водещата шина. 	
Индикаторът за ниско ниво на маслото се появява на LCD екрана даже когато в резервоара за масло има достатъчно масло. Или даже ако няма масло в резервоара за масло, LCD екранът не показва индикатора за ниско ниво на маслото.	<ul style="list-style-type: none"> ■ Компонентът за откриване на нивото на маслото все още не е открил истинското ниво на маслото поради остатъчното масло или въздух в маслената тръба. ■ Повреда на компонента за откриване на нивото на маслото. 	<ul style="list-style-type: none"> ■ Изчакайте няколко минути, за да изтече остатъчното масло или въздухът от маслената тръба.

ГАРАНЦИЯ

ГАРАНЦИОННА ПОЛИТИКА EGO

Моля, посетете уебсайта egopowerplus.eu за пълните срокове и условия по гаранционната политика на EGO.

PROČITAJTE UPUTE U CIJELOSTI!



PROČITAJTE KORISNIČKI PRIRUČNIK

⚠ UPOZORENJE: Radi sigurnosti i pouzdanosti, sve popravke treba obavljati kvalificirani servisni tehničar.

⚠ UPOZORENJE: Prije korištenja ovog alata, s razumijevanjem pročitajte sve sigurnosne upute u ovom priručniku za rukovatelja, uključujući sve sigurnosne simbole kao što su „OPASNOST“, „UPOZORENJE“ i „OPREZ“. Zanemarivanje uputa navedenih u nastavku može rezultirati strujnim udarom, požarom i/ili teškim tjelesnim ozljedama.



Symbol upozorenja



Nosite zaštitu za oči.



Nosite zaštitu za glavu.



Vodite računa o povratnom udarcu lančane pile i izbjegavajte kontakt s vrhom vodilice



Podaci o vodilici



Zajamčena razina snage zvuka. Emisija buke u okruženju u skladu je sa smjericama Europske unije.



Ovaj proizvod je u skladu s važećim direktivama EU.



Bluetooth®

mm Milimetar

V Napon

IPX5 Zaštita od mlaza vode

SAČUVAJTE SVA UPOZORENJA I SVE UPUTE ZA BUDUĆE POTREBE.

SIGURNOSNI SIMBOLI

⚠ UPOZORENJE: Rukovanje električnim alatima može rezultirati odbacivanjem stranih predmeta u oči, što opet može izazvati teške ozljede očiju. Pri radu s električnim alatom nosite zatvorene zaštitne naočale ili zaštitne naočale s bočnim štitnicima, a prema potrebi i štitnik za cijelo lice. Preporučujemo nošenje sigurnosne maske proizvođača Wide Vision preko naočala ili nošenje standardnih zaštitnih naočala s bočnim štitnicima.



Radi smanjenja opasnosti od ozljeda, prije uporabe ovog proizvoda korisnik treba s razumijevanjem pročitati ovaj korisnički priručnik.



Nosite zaštitu za sluh.



Nosite zaštitne rukavice



Povratni udar na vrhu vodilice



Lančanu pilu upotrebljavajte s dvije ruke



Otpadni električni proizvodi ne smiju se odlagati s otpadom iz kućanstva. Odnosite ih u ovlaštenu centar za recikliranje.



Ovaj proizvod je u skladu s važećim zakonodavstvom UK.



Istosmjerna struja

n_0

Brzina bez opterećenja

./min

U minuti

HR

NAPOMENA: Riječ i logotipovi Bluetooth® registrirani su zaštitni znakovi u vlasništvu tvrtke Bluetooth SIG, inc. i svako korištenje takvih oznaka od strane EGO-a je pod licencom.

TEHNIČKI PODACI

Nazivni napon	56V	
Maksimalno Brzina lanca	30 m/s	
Debljina lanca	8,255 mm / 0,325"	
Debljina karike lanca	1,3 mm	
Duljina vodilice	50 cm	
Model lanca pile	AC2035 (preporuka)	
	AC1635, AC1835 (Kompatibilno)	
Model lanca pile i vodilice	AK2035 (preporuka)	
	AK1635, AK1835 (Kompatibilno)	
Zapremina spremnika ulja za lanac	250 ml	
Težina (bez baterijskog modula, lanca pile, vodilice, bočnog poklopca, ulja i zaštitne navlake za lanac)	4,3 kg	
Preporučena radna temperatura	-15°C – 40°C	
Preporučena temperatura skladištenja	-20°C – 70°C	
Preporučena temperatura punjenja	5°C – 40°C	
Izmjerena razina zvučne snage L_{WA}	102 dB(A) K=2,3 dB(A)	
Razina zvučnog tlaka ne mjestu rada L_{PA}	92 dB(A) K=3 dB(A)	
Zajamčena razina zvučne snage L_{WA} (izmjereno u skladu s 2000/14/EZ)	104 dB(A)	
Vibracija a_h	Prednji rukohvat	3,3 m/s ² K=1,5 m/s ²
	Stražnji rukohvat	1,74 m/s ² K=1,5 m/s ²

- Deklarirane ukupne vrijednosti vibracija izmjerene su u skladu sa standardnom metodom ispitivanja i mogu se koristiti za usporedbu jednog alata s drugim.
- Deklarirane ukupne vrijednosti vibracija mogu se koristiti i u preliminarnoj procjeni izloženosti.

OBAVIJEST: Emisija vibracija tijekom aktualnog korištenja električnog alata može se razlikovati od deklarirane

vrijednosti u kojoj se alat koristi; Radi zaštite rukovatelja korisnik treba nositi rukavice i štitnike za uši u aktualnim uvjetima korištenja.

PAKIRANJE (SL. A1)

OPIS

UPOZNAJTE SE S LANČANOM PILOM (sl. A1)

1. Lanac pile
2. Ručica kočnice povratnog udarca lanca
3. Prednja drška
4. LCD zaslon
5. Razina brzine
6. Bluetooth ikona
7. Ikona prednjeg svjetla
8. Ikona kočnice
9. Indikator visoke temperature
10. Krug mjerača goriva
11. Trenutna razina opterećenja
12. Indikator niske razine ulja
13. Gumb za prednje svjetlo/Bluetooth
14. Gumb za dovod ulja
15. Razina izlaza ulja
16. Gumb za deblokadu
17. Sklopka okidača
18. Stražnja drška
19. Gumb za promjenu brzine lanca
20. Gumb za oslobađanje baterije
21. Kontrolno okno za ulje
22. Čep spremnika ulja
23. Vodilica
24. Otvor za podmazivanje
25. Vijak za zatezanje lanca
26. Bočni poklopac
27. Sigurnosne matice
28. Zupci za piljenje
29. PREDNJA LED SVJETLA
30. Zaštitna navlaka za lanac
31. Univerzalni ključ

SASTAVLJANJE

POSTAVLJANJE/ZAMJENA VODILICE I LANCA

⚠ UPOZORENJE: Prije montaže podesite ručku kočnice povratnog udara lanca u kočionom položaju.

1. Pogonsku glavu lančane pile stavite na njezinu bočnu stranu tako da je bočni poklopac okrenut prema gore (sl. B).
2. Uklonite bočni poklopac okretanjem dvije sigurnosne matice ulijevo.
3. Okrenite vijak za zatezanje lanca ulijevo za otpuštanje lanca.
4. Lanac pile položite kružno na ravnu površinu i ispravite eventualne pregibe (sl. C).
5. Stavite pogonske karike lanca u žlijeb vodilice i napravite omču na stražnjem dijelu vodilice (sl. D).
6. Držite lanac u položaju na vodilici i stavite petlju oko lančanika pile (sl. E1).

B-1	Sigurnosne matice	D-2	Žlijeb vodilice
B-2	Vijak za zatezanje lanca	E-1	Pogonski lančanik
D-1	Pogonske karike lanca		

OBAVIJEST: Prilikom pričvršćivanja lanca pile na vodilicu, pazite da nakon postavljanja vodilice na pilu, usmjerenost rezača odgovara ikoni rezača i strelici smjera rotacije na kućištu. Ako su okrenute u suprotnim smjerovima, ponovno sastavite lanac pile na vodilicu tako da rezači budu okrenuti u istom smjeru (sl. E2).

7. Vratite bočni poklopac na kućište lančane pile i potpuno zategnite obje sigurnosne matice.
8. Okrećite lanac rukom kako biste provjerili je li lanac propisno montiran bez zapinjanja. U suprotnom ponovno postavite lanac i vodilicu.

OBAVIJEST: vodilicu povremeno okrenite radi produženja njezinog životnog vijeka.

HR

PODEŠAVANJE ZATEGNUTOSTI LANCA

- Prije podešavanja zategnutosti lanca, zaustavite rad motora i izvadite baterijski modul. Okrenite vijak za zatezanje lanca ulijevo ili udesno za prilagođavanje zategnutosti lanca (sl. F), tako da lanac točno nalegne na vodilicu, a pogonske karike u žlijeb vodilice.

- Hladan lanac ispravno je zategnut kada nema progiba na donjoj strani vodilice i kada lanac naliježe uz mogućnost ručnog okretanja bez zastoja. Lanac je potrebno ponovno zategnuti kada zaravnjene površine na pogonskim karikama ne uliježu u žlijeb vodilice.
- Temperatura lanca će se povećati za vrijeme normalnog rada pile. Pogonske karike ispravno zategnutog toplog lanca visjet će oko 1,3 mm iz žlijeba vodilice (sl. G).

OBAVIJEST: novi lanci imaju tendenciju rastezanja. Često provjeravajte zategnutost lanca i prema potrebi ga zategnite.

OBAVIJEST: lanac zategnut u toplom stanju može biti previše zategnut nakon hlađenja. Prije sljedeće uporabe provjerite zategnutost hladnog lanca.

RAD

⚠ UPOZORENJE: Nemojte biti nepažljivi zato što ste upoznati s načinom rada proizvoda. Zapamtite da je samo jedan djelić sekunde nepažnje dovoljan za nastanak tjelesne ozljede.

⚠ UPOZORENJE: Nemojte upotrebljavati priključke ili pribor koje nije preporučio proizvođač ovog proizvoda. Upotreba nastavaka ili pribora koji nije preporučeni, može dovesti do ozbiljnih tjelesnih ozljeda.

⚠ UPOZORENJE: Kako biste spriječili slučajno pokretanje koje bi moglo prouzročiti teške tjelesne ozljede, prije montiranja dijelova, podešavanja, čišćenja ili nekorištenja, uklonite baterijski modul iz alata.

Prije svake upotrebe, pregledajte da na stroju nema oštećenih, nedostajućih ili olabavljenih dijelova kao što su vijci, matice i poklopci. Čvrsto pritegnite sve elemente za pričvršćenje i kapice i ne upotrebljavajte proizvod dok se svi dijelovi koji nedostaju ili oštećeni dijelovi, ne zamijene.

PRIMJENE

Ovaj proizvod možete upotrebljavati za osnovno obaranje stabala, orezivanje grana, obrezivanje i sječu rezane građe i drveća.

OBAVIJEST: Stroj se smije upotrebljavati samo za prethodno opisanu namjenu. Svaka druga uporaba smatra se nepropisnom uporabom.

PUNJENJE VODILICE I LANCA MAZIVOM

⚠ UPOZORENJE: Nemojte pušiti ili koristiti vatru ili plamen u blizini ulja ili lančane pile. Ulje može iscurjeti i izazvati požar.

OBAVIJEST: Lančana pila nije napunjena uljem u vrijeme kupnje. Spremnik je prije uporabe potrebno napuniti uljem. Tijekom rada lanac se automatski podmazuje uljem za lanac.

1. Postavite lančanu pilu na bočnu stranu s čepom spremnika okrenutim prema gore.
2. Očistite čep spremnika ulja i okolno područje kako u spremnik ulja ne bi dospjela nečistoća.
3. Podignite polukružnu ploču i okrenite čep spremnika ulja ulijevo kako biste ga uklonili (sl. H).
4. Pažljivo izlijte ulje za vodilicu i lanac u spremnik. Napunite do donjeg ruba vrata uljevnik.
5. Obrišite višak ulja i vratite čep.

OBAVIJEST: Često provjeravajte spremnik s uljem i napunite ga kada razina ulja padne ispod oznake za minimum. Nemojte upotrebljavati lančanu pilu ako se razina ulja ne vidi.

POSTAVLJANJE I UKLANJANJE BATERIJSKOG MODULA

NAPOMENA: Krug mjerača goriva na LCD zaslonu označava razinu napunjenosti baterije (slika A1). Krug će treptati kada se baterija isprazni gotovo do kraja. Napunite baterijski modul do kraja prije prve uporabe.

Upotrebljavajte samo s baterijskim modulima i punjačima tvrtke EGO navedenima na sl. A2.

Baterijski modul potpuno napunite prije prve upotrebe.

Postavljanje

Poravnajte izbočenja baterije s montažnim utorima i utiskujte baterijski modul prema dolje dok ne začujete klik (sl. I).

Uklanjanje

Pritisnite gumb za oslobađanje baterije i izvucite baterijski modul (sl. J).

POKRETANJE/ZAUSTAVLJANJE LANČANE PILE

OBAVIJEST: Prije pokretanja lančane pile provjerite razinu ulja, naoštrenost zuba pile i ispravnost rada ručice kočnice povratnog udarca. Pored toga, održavajte stabilan položaj tijela i propisanu udaljenost od tla.

Pokretanje (sl. K)

1. Povucite ručicu kočnice povratnog udarca lanca prema prednjoj dršci u radni položaj (sl. K).
2. Čvrsto primite prednju dršku lijevom, a stražnju dršku desnom rukom.

⚠ UPOZORENJE: Kako biste izbjegli ozljede, koristite lančanu pilu tako da uvijek desnom rukom držite područje za držanje stražnje drške (sl. L).

3. Palcem desne ruke pritisnite gumb za deblokadu i držite ga pritisnutim, a zatim prstima desne ruke stisnite sklopku okidača za pokretanje pile (Sl. L).

L-1	Područje za držanje
-----	---------------------

4. Otpustite gumb za deblokadu i nastavite stiskati okidač sklopke za kontinuirani rad.
5. Što je sklopka okidača više pritisnuta, to je brzina lanca veća. Prilagodite brzinu zadatku.

⚠ UPOZORENJE: Nemojte pokretati pilu kada se lanac pile nalazi u rezu.

Zaustavljanje

1. Premjestite lančanu pilu dalje od područja rezanja i zatim otpustite sklopku okidača da biste zaustavili lančanu pilu.
2. Gurnite ručicu kočnice povratnog udarca lanca prema naprijed u zakočeni položaj kako bi se aktivirala kočnica lanca (sl. K).

⚠ UPOZORENJE: Za vrijeme prekida rada i nakon završetka rada izvadite baterijski modul iz stroja.

PROMJENA NAČINA BRZINE (Sl. M)

Stroj ima tri načina brzine za razne brzine. Svaki način brzine ograničava maksimalnu brzinu lančane pile. Svaki put kada pritisnete gumb za promjenu brzine lanca, način brzine će se promijeniti.

Razina brzine na LCD zaslonu prikazat će aktivni način brzine: jedna crtica za malu brzinu, dvije crtice za srednju brzinu i tri crtice za veliku brzinu. Način male brzine (ECO) omogućuje bolje upravljanje strojem i duže vrijeme rada po punjenju.

M-1	Razina brzine	M-7	Trenutna razina opterećenja
M-2	Bluetooth ikona	M-8	Gumb za prednje svjetlo/Bluetooth
M-3	Ikona prednjeg svjetla	M-9	Gumb za dovod ulja
M-4	Ikona kočnice	M-10	Gumb za promjenu brzine lanca
M-5	Indikator visoke temperature	M-11	Razina izlaza ulja
M-6	Krug mjerača goriva	M-12	Indikator niske razine ulja

NAPOMENA: Kada upotrebljavate EGO baterijski modul nazivnog kapaciteta 4,0 Ah i manje, bit će dostupan samo ECO način rada. Upotreba EGO baterijskog modula nazivnog kapaciteta manjeg od 6,0 Ah, visoka brzina neće se moći postići. Za najbolji radni učinak snažno preporučujemo upotrebu EGO baterijskih modula od 6,0 Ah ili više (npr., BA3360T).

NAPOMENA: Lančana pila ima funkciju pamćenja brzine lanca. Sljedeći put kada se lančana pila uključi, aktivirat će se prethodno korišteni način brzine.

NAPOMENA: LCD zaslon svijetli kada se povuče sklopka okidača ili kada se pritisne gumb brza dovod ulja ili gumb za prednje svjetlo/Bluetooth. Prema zadanim postavkama, LCD zaslon automatski se isključuje nakon oko 1 sekunde neaktivnosti.

NAPOMENA: Pritiskom na mjenjač brzine lanca neće se uključiti LCD zaslon.

RAZINA OPTEREĆENJA (slika M)

Razina opterećenja na desnoj strani LCD zaslona prikazuje trenutno opterećenje stroja. Veći broj crtica označava veće opterećenje, a manji broj crtica manje opterećenje.

Ova je značajka prvenstveno namijenjena iskusnim korisnicima plinske lančane pile koji možda nemaju "osjećaj" kako se baterijska pila ponaša pod različitim opterećenjima. Pomaže korisnicima u praćenju radnog opterećenja kako bi se izbjegao dugotrajan rad pod velikim opterećenjem, zbog čega se lančana pila može zaustaviti

tijekom rada zbog previsoke temperature.

INDIKATOR VISOKE TEMPERATURE (SI. M)

Indikator visoke temperature svijetli kada temperatura stroja prekorači 194°F (90°C) ili temperatura baterije tijekom rada prekorači 158°F (70°C). Krug zaštite od temperature odmah će isključiti stroj kako bi se spriječilo oštećenje uslijed pregrijavanja. Otpustite okidač i pričekajte da se pregrijani stroj ili baterija ohladi i da se indikator visoke temperature isključi, a zatim ponovno pokrenite stroj.

IKONA KOČNICE (slika M)

Ikona kočnice prikazuje se na LCD zaslonu kada je ručica kočnice u položaju kočenja.

Ikona kočnice treptat će kada višesmjerni sustav lančane kočnice zaustavi rad pile. Više informacija potražite u sljedećem poglavlju.

VIŠESMJERNI SUSTAV KOČENJA LANCA (sl. N1 i sl. N2)

Višesmjerni sustav kočenja lanca nije predviđen kao zamjena za standardno/klasično kočenje lanca. Korisnik se ne smije oslanjati na tu značajku za vrijeme rada s lančanom pilom radi zaštite od povratnog udara. Slijedite upute za ublažavanje povratnog udara koje se nalaze u odjeljku ovog priručnika s upozorenjima.

Kada se višesmjerni sustav kočenja lanca aktivira i zaustavi rad pile, na LCD zaslonu će treptati ikona kočnice (sl. M). Otpustite okidnu sklopku, uklonite lanac pile i vodilicu iz drveta i zatim ponovno pokrenite lančanu pilu.

NAPOMENA: Senzori će otkriti samo nagli pokret pile u ravnini vodilice (sl. N1). Senzori neće otkriti nagli pokret pile u bočnim smjerovima pile (sl. N2) (tj. okomito na ravninu vodilice).

RAZINA ULJA I INDIKATOR NISKE RAZINE ULJA (SI. M)

Stroj automatski podmazuje lanac. Ova lančana pila omogućuje promjenu brzinu dovoda ulja svakim pritiskom na gumb za dovod ulja.

NAPOMENA: Brzina dovoda ulja može se promijeniti samo kada lanac pile ne radi.

Brzina ulja na izlazu prikazat će na LCD zaslonu izlaznu brzinu ulja. Jedna crtica za nisku izlaznu brzinu, dvije crtice za srednju izlaznu brzinu i tri crtice za visoku izlaznu brzinu.

Odaberite veću izlaznu brzinu za veću brzinu lanca. Ako se lanac pile osuši tijekom rada, zaustavite rad motora i odaberite veću izlaznu brzinu ulja.

Kada je razina ulja niska, na LCD zaslonu prikazat će se

indikator niske brzine ulja iznad crtica za izlaznu brzinu ulja i bit će dostupna samo niska izlazna brzina. Zaustavite rad lančane pile i napunite spremnik ulja na temelju poglavlja **PUNJENJE SPREMNIKA ULJA MAZIVOM ZA VODILICU I LANAC.**

Nakon punjenja spremnika ulja, pokrenite lančanu pilu na oko 10 sekundi kako bi sustav automatskog podmazivanja počeo raditi i indikator će nestati s LCD zaslona.

OBAVIJEST: Ako se indikator i dalje prikazuje na LCD zaslonu nakon izvođenja gore navedenog postupka, sustav se može oštetiti. Prestanite upotrebljavati lančanu pilu i obratite se ovlaštenom servisnom centru EGO radi popravka.

PREDNJE LED SVJETLO (sl. O)

LED prednje svjetlo nalazi se u prednjem dijelu kućišta lančane pile. Prednje svjetlo daje osvijetljenje za veću vidljivost i ima 2 razine svjetline.

Za uključivanje prednjeg svjetla pritisnite gumb za prednje svjetlo/Bluetooth (sl. M). Prednje svjetlo će se uključiti pri niskoj razini svjetline i ikona prednjeg svjetla niske svjetline pojaviti će se na LCD zaslonu. Ponovno pritisnite gumb za prednje svjetlo/Bluetooth za prebacivanje na visoku razinu svjetline i ikona prednjeg svjetla visoke svjetline pojaviti će se na LCD zaslonu.

Za isključivanje prednjeg svjetla, pritisnite gumb za prednje svjetlo/Bluetooth treći put i ikona prednjeg svjetla će nestati s LCD zaslona.

0-1	Ikona prednjeg svjetla niske svjetline	0-3	PREDNJA LED SVJETLA
0-2	Ikona prednjeg svjetla visoke svjetline		

TEHNOLOGIJA KOMUNIKACIJE

Za informacije o našoj cjelokupnoj ponudi povezanih proizvoda i usluga, uključujući upute za povezivanje, skenirajte QR kod u nastavku ili posjetite www.egopowerplus.eu/connect.



PROPISNO DRŽANJE RUKOVRTA (SL. P1)

- Za maksimalni zahvat i zaštitu nosite neklizajuće rukavice.
- Pilu na čvrstoj, ravnoj površini držite čvrsto objema rukama.
- Prednji rukohvat prihvatite lijevom, a stražnji rukohvat desnom rukom.
- Prsti moraju okružiti dršku i palac mora biti podvinut ispod prednje drške.

⚠ UPOZORENJE: Ne koristite lijevoručni rukohvat (s križanjem ruku) ili bilo koji položaj u kojemu će tijelo ili ruka prijeći preko crte lanca.

⚠ UPOZORENJE: Nemojte pritiskati okidačku sklopku lijevom rukom i prednju dršku držite desnom rukom. Pazite da za vrijeme rada s pilom nijedan dio tijela ne dođe u pravac kretanja lanca (sl. P2).

PROPISAN POLOŽAJ PRI REZANJU (SL. Q)

- Oba stopala trebaju biti na čvrstom tlu uz tjelesnu masu ravnomjerno raspoređenu između njih.
- Lijeva ruka treba biti ispružena uz fiksirani lakat. Taj položaj će pomoći da se oduprete silama koje stvara povratni udar.
- Vaše tijelo uvijek mora biti s lijeve strane linije lanca.

UPUTE KOJE SE ODOSE NA PRAVILNE TEHNIKE RUŠENJA, REZANJA GRANA I POPREČNOG REZANJA

⚠ UPOZORENJE: Dok je motor u radu, zauzmite stabilan položaj tijela i lančanu pilu držite čvrsto s obje ruke.

⚠ UPOZORENJE: Kada se lanac pile zaustavi zbog zaglavlivanja tijekom postupka rezanja, otpustite okidnu sklopku, izvadite lanac pile i vodilicu iz drveta, a zatim ponovno pokrenite lančanu pilu.

⚠ UPOZORENJE: Ne povlačite lančanu pilu rukom kada je zaglavljena zbog piljevine. Ako se lančana pila pokrene iznenadno, moguće su ozbiljne ozljede. Pritisnite lanac pile o drvo, pomičite lančanu pilu natrag i naprijed kako biste uklonili naslage. Izvadite baterijski modul prije čišćenja. Nosite debele zaštitne rukavice kada rukujete s lančanom pilom.

⚠ UPOZORENJE: Nemojte nikad pokretati lančanu pilu kada je u kontaktu s drvom. Prije rezanja drva uvijek pričekajte da lančana pila dostigne punu brzinu.

OBARANJE STABLA

- Kod radova rezanja po duljini i obaranja stabla koje istovremeno obavljaju dvije osobe ili više osoba, radove obaranja stabla potrebno je razdvojiti od radova rezanja po duljini razdaljinom od najmanje dvije visine stabla koje se obara. Stabla se ne smiju obarati na način kojim će se ugroziti osobe, udariti u nadzemne vodove ili prouzročiti materijalnu štetu. Ako stablo dođe u kontakt s nadzemnim vodovima, odmah je potrebno obavijestiti odnosno poduzeće.
- Rukovatelj lančanim pilom treba stajati na uzvišenoj strani terena jer će se drvo nakon obaranja vjerojatno otkotrljati ili skliznuti nizbrdo.
- Prije početka postupka rezanja potrebno je isplanirati i prema potrebi očistiti putanju izvlačenja. Putanja izvlačenja treba se protezati natrag i dijagonalno prema stražnjem dijelu očekivanog pravca pada kako je prikazano na sl. R.

R-1	Smjer obaranja stabla
R-2	Put za sigurno izvlačenje

- Prije početka postupka obaranja stabla, za procjenu putanje pada stabla uzmite u obzir prirodnu nagnutost stabla, lokaciju većih grana i smjer vjetrova.
- Sa stabla uklonite prjavištinu, kamenje, odvojenu koru, čavle, spajalice i žicu.

Podrezivanje usjeka

Urežite 1/3 promjera stabla, okomito na smjer pada kao što je prikazano na sl. S. Najprije obavite niže vodoravno zarezivanje. Tako ćete lakše izbjeći priklještenje lančane pile ili vodilice pri izvođenju drugog usjeka.

S-1	Smjer pada	S-3	Rez obaranja
S-2	Žlijeb	S-4	Zglob

Rez obaranja

- Rez obaranja napravite najmanje 50 mm iznad vodoravnog zarezivanja kako je prikazano na sl. S. Rez obaranja održavajte paralelnim u odnosu na vodoravno zarezivanje. Rez obaranja napravite tako da ostane dovoljno drveta da djeluje kao zglob. Zglob onemogućuje zakretanje stabla i pad stabla u pogrešnom smjeru. Nemojte prerezati zglob.
- Kako se rezovi za obaranje približavaju zglobu, stablo treba početi da pada. Ako postoji mogućnost da drvo ne padne u željenom smjeru ili da se zanjiše unatrag i blokira lanac pile, obustavite radove rezanja prije završetka reza obaranja i upotrijebite

klinove od drveta, plastike ili aluminijska da otvorite rez i ispustite stablo duž željene linije pada.

- Kada stablo počne da pada, uklonite lančanu pilu iz reza, zaustavite motor, odložite lančanu pilu, a zatim upotrijebite planiranu putanju za povlačenje. Pazite na grane iznad glave koje padaju i vodite računa o uporištu.

Odrezivanje grana stabla

Odrezivanje grana je uklanjanje grana s oborenog stabla. Prilikom odrezivanja grana ostavite veće niže grane kao pomoć za odizanje debla s tla. Uklanjajte manje grane jednim rezom kako je prikazano na sl. T. Napete grane potrebno je rezati odozdo prema gore kako bi se izbjegla blokada lančane pile.

Rezanje po duljini

Rezanje po duljini je uzdužno rezanje debla. Važno je da osigurate čvrsto uporište i da tjelesna masa bude ravnomjerno raspoređena na oba stopala. Ako je moguće, deblo treba podići i poduprijeti pomoću grana, debla ili klinova. Pridržavajte se jednostavnih smjernica za lako rezanje.

Kada je deblo oslonjeno cijelom duljinom kao na sl. U1, ono se razrezuje s gornje strane (piljenje s gornje strane).

Kada je deblo oslonjeno na jednom kraju kao na sl. U2, zarezite 1/3 promjera s donje strane (piljenje s donje strane). Zatim obavite završni rez odozgo kako biste sastavili s prvim rezom.

Kada je deblo oslonjeno na oba kraja kao na sl. U3, zarezite 1/3 promjera s gornje strane (piljenje s gornje strane). Zatim obavite završni rez odozdo na donjoj 2/3 kako biste sastavili s prvim rezom.

Kada obavljate rezanje po duljini na nagibu, uvijek stojite na uzvišenoj strani od debla kako je prikazano na sl. V.

Kada "odrezujete", za održavanje kompletne kontrole rasteretite pritisak rezanja u blizini kraja reza bez popuštanja zahvata na rukohvatima lančane pile. Nemojte dopustiti da lanac dođe u kontakt s tlom. Nakon obavljenog reza, pričekajte da se lanac pile zaustavi prije premještanja lančane pile. Uvijek zaustavite motor prije premještanja s drveta na drvo.

ODRŽAVANJE

⚠ UPOZORENJE: Pri servisiranju koristite samo identične zamjenske dijelove. Korištenje drugih dijelova može izazvati opasnost ili prouzročiti oštećenje proizvoda. Radi sigurnosti i pouzdanosti, sve popravke treba obavljati kvalificirani servisni tehničar.

⚠ UPOZORENJE: Radi izbjegavanja teških tjelesnih

ozljeda, pri pregledu, čišćenju ili održavanju uvijek izvadite baterijski modul iz proizvoda. Alat s baterijskim modulom može se nehотиčno pokrenuti sam.

⚠ UPOZORENJE: Kada čistite lančanu pilu, NEMOJTE ju uranjati u vodu ili druge tekućine.

⚠ UPOZORENJE: Nemojte dopustiti da kočione tekućine, benzin, proizvodi na bazi nafte, prodiruća ulja i sl., dođu u doticaj s plastičnim dijelovima. Kemikalije mogu oštetiti, oslabiti ili uništiti plastiku što može rezultirati ozbiljnim tjelesnim ozljedama.

ČIŠĆENJE

- Nakon svake uporabe, mekanom četkom očistite naslage s lanca i vodilice. Površinu lančane pile obrišite čistom krpom navlaženom u blagoj sapunici.
- Uklonite bočni poklopac, a zatim mekanom četkom očistite naslage s vodilice, lanca pile, lančanika i bočnog poklopca.
- Uklonite donji poklopac nakon oko svakih 8 sati rada, a zatim mekanom četkom uklonite ostatke unutar stroja i na poklopcu (slika W).
- Pri zamjeni lanca pile iz žlijeba vodilice uvijek očistite iverje od drveta, prašinu od pile i nečistoću.

ODRŽAVANJE VODILICE

Kada se na vodilici pojave znakovi istrošenosti, skinite je s pogonske glave lančane pile i okrenite je naopako radi ponovne montaže (sl. X1). Na taj način će se istrošenost raspodijeliti i produžiti će se radni vijek vodilice.

Vodilicu je potrebno čistiti svaki dan kada se upotrebljava i provjeriti na postojanje znakova istrošenosti i oštećenja (Sl. X2). Stanjivanje vodilice ili pojava oštrih rubova normalan je proces pri trošenju vodilice. Takvi nedostaci mogu se izravnati turpijom čim se pojave. Vodilica s bilo kojim od sljedećih nedostataka mora se odmah zamijeniti.

- Istrošenost unutar vodilica koja omogućuje klizanje lanca po bočnim stranicama.
- Savijena vodilica.
- Napuknute ili polomljene vodilice.
- Raširene vodilice.

Pored toga, na vrhu vodilice nalazi se lančanik (sl. X3).

Lančanik se mora podmazivati jednom tjedno s pomoću brizgaljke za mast je time se produžuje radni vijek vodilice. Brizgaljkom za mast jednom tjedno obavite podmazivanje uljem kroz rupu za podmazivanje (sl. W4). Okrenite vodilicu i provjerite jesu li otvori za podmazivanje i žlijeb lanca zaprljani.

X-1	Vodilice pile	X-3	Otvor za podmazivanje
X-2	Lančanik na vrhu vodilice		

OBAVIJEST: Za najbolje rezultate koristite EGO odobrena maziva.

TRANSPORT I SKLADIŠTENJE

Lančanu pilu ne skladištite i ne transportirajte kada radi. Prije skladištenja ili transporta uvijek izvadite baterijski modul.

Prije skladištenja ili transporta lančane pile, na vodilicu i lanac uvijek stavite zaštitnu navlaku. Budite oprezni kako biste izbjegli oštre zube lanca.

Lančanu pilu dobro očistite prije skladištenja. Lančanu pilu pohranite na suhom mjestu koje je zaključano i nije dostupno djeci.

Držite dalje od korozivnih sredstava kao što su vrtna kemikalije i soli za odleđivanje.

ZAŠTITA OKOLIŠA



Električnu opremu, iskorištenu bateriju i punjač ne odlažite u otpad iz kućanstva!

Ovaj proizvod odnesite u ovlašteni centar za reciklažu i time omogućite odvojeno sakupljanje. Električne alate potrebno je vratiti u ekološki prihvatljiv pogon za reciklažu.

RJEŠAVANJE PROBLEMA

⚠ UPOZORENJE: Pri obavljanju bilo kakvih radova na održavanju lanca pile, zaštitite ruke debelim zaštitnim rukavicama. Izvadite baterijski modul prije servisiranja ili transporta lančane pile.

PROBLEM	UZROK	RJEŠENJE
Motor se ne pokreće.	<ul style="list-style-type: none"> ■ Baterijski modul nije pričvršćen na lančanu pilu. ■ Nema električnog kontakta između pile i baterijskog modula. ■ Ako krug mjerača goriva na LCD zaslonu trepće, baterija je istrošena. ■ Ako se na LCD zaslonu prikazuje indikator visoke temperature, baterija ili lančana pila su prevrući. ■ Ako se ikona kočnice lanca prikazuje na LCD zaslonu, uključena je kočnica lanca. ■ Naslage u žlijebu vodilice. ■ Naslage u bočnom poklopcu. 	<ul style="list-style-type: none"> ■ Pričvrstite baterijski modul na lančanu pilu. ■ Izvadite baterijski modul, provjerite kontakte i ponovno stavite baterijski modul. ■ Napunite baterijski modul. ■ Pričekajte da se komplet baterija ili lančana pila ohlade na temperaturu ispod 67°C. ■ Ručicu kočnice povratnog udarca lanca povucite natrag prema prednjoj dršci u radni položaj. ■ Pritisnite lanac pile o drvo, pomičite lančanu pilu natrag i naprijed kako biste uklonili naslage. ■ Uklonite baterijski modul, zatim skinite bočni poklopac i očistite naslage.
Način rada za brzinu ne može se mijenjati.	<ul style="list-style-type: none"> ■ Mjenjač brzine lanca zaglavio se otpadom. 	<ul style="list-style-type: none"> ■ Očistite otpad oko mjenjača brzine lanca.
Lančana pila neočekivano prestaje raditi tijekom rada.	<ul style="list-style-type: none"> ■ Lančana pila je preopterećena. ■ Ako se na LCD zaslonu prikazuje indikator visoke temperature, baterija ili lančana pila su prevrući. ■ Lanac pile zaglavio se u drvetu. ■ Ako ikona kočnice lanca trepće na LCD zaslonu, pilu je zaustavio višesmjerni sustav kočnice lanca. 	<ul style="list-style-type: none"> ■ Smanjite opterećenje. ■ Pričekajte da se komplet baterija ili lančana pila ohlade na temperaturu ispod 67°C. ■ Otpustite okidačku sklopku, izvucite lanac pile i vodilicu iz drveta, a zatim ponovno pokrenite lančanu pilu. ■ Otpustite okidačku sklopku, izvucite lanac pile i vodilicu iz drveta, a zatim ponovno pokrenite lančanu pilu.
Motor radi, ali se lanac ne okreće..	<ul style="list-style-type: none"> ■ Lanac nije u zahvatu s pogonskim lančanikom. 	<ul style="list-style-type: none"> ■ Ponovno postavite lanac vodeći računa da pogonske karike na lancu potpuno naliježu na lančanik.
Kočnica lanca ne ulazi u zahvat	<ul style="list-style-type: none"> ■ Otpad onemogućuje puni hod ručice kočnice povratnog udarca lanca. ■ Mogući kvar kočnice lanca. 	<ul style="list-style-type: none"> ■ Očistite otpad s vanjskog mehanizma kočnice lanca. ■ Za popravak se obratite centru korisničke službe proizvođača EGO.

PROBLEM	UZROK	RJEŠENJE
Lančana pila ne reže dobro..	<ul style="list-style-type: none"> ■ Lanac je nedovoljno zategnut. ■ Lanac je tup. ■ Lanac je postavljen naopako. ■ Lanac je istrošen. ■ Lanac je suh ili je previše rastegnut. ■ Lanac nije u žlijebu vodilice. 	<ul style="list-style-type: none"> ■ Ponovno podesite zategnutost lanca, pogledajte sljedeći odjeljak: „PODEŠAVANJE ZATEGNUTOSTI LANCA”. ■ Naoštrite lanac. ■ Ponovno stavite lanac pile prema uputama iz odjeljka „SASTAVLJANJE/ZAMJENA VODILICE I LANCA”. ■ Zamijenite lanac, pogledajte sljedeći odjeljak: „SASTAVLJANJE/ZAMJENA VODILICE I LANCA”. ■ Provjerite razinu ulja. Ponovno napunite spremnik za ulje i po potrebi odaberite veću količinu ulja. ■ Zamijenite lanac pile, pogledajte sljedeći odjeljak: „SASTAVLJANJE/ZAMJENA VODILICE I LANCA”.
Lanac će se olabaviti ili spasti s vodilice za vrijeme normalne upotrebe.	<ul style="list-style-type: none"> ■ Lanac će se olabaviti jer se temperatura lanca povećava tijekom normalnog rada pile. ■ Lanac nije u zahvatu s pogonskim lančanikom. 	<ul style="list-style-type: none"> ■ Zategnite lanac prema uputama u odjeljku „PODEŠAVANJE ZATEGNUTOSTI LANCA”. ■ Zamijenite lanac pile, pogledajte sljedeći odjeljak: „SASTAVLJANJE/ZAMJENA VODILICE I LANCA”.
Vodilica i lanac zagrijavaju se tijekom rada i oslobađaju dim.	<ul style="list-style-type: none"> ■ Ako se na LCD zaslonu prikazuje indikator niske razine ulja, spremnik ulja lanca je prazan. ■ Naslage u žlijebu vodilice. 	<ul style="list-style-type: none"> ■ Provjerite razinu ulja. Prema potrebi dopunite ulje u spremnik ulja. ■ Očistite naslage u žlijebu.
Indikator niske razine ulja prikazuje se na LCD zaslonu čak i kada ima dovoljno ulja u spremniku za ulje. Ili čak i ako u spremniku za ulje nema dovoljno ulja, na LCD zaslonu se ne prikazuje indikator niske razine ulja.	<ul style="list-style-type: none"> ■ Komponenta za otkrivanje razine ulja još nije otkrila pravu razinu ulja zbog zaostalog ulja ili zraka u cijevi za ulje. ■ Kvar komponente za otkrivanje razine ulja. 	<ul style="list-style-type: none"> ■ Pričekajte nekoliko minuta da preostalo ulje ili zrak isticu iz cijevi za ulje.

JAMSTVO

PRAVILA U VEZI JAMSTVA PROIZVOĐAČA EGO

Cjelokupne uvjete i odredbe pravila jamstva proizvođača EGO potražite na internetskoj stranici egopowerplus.eu.

HR

სრულად გაეცანით ინსტრუქციას!



გაეცანით მომხმარებლის ინსტრუქციას

⚠ გაფრთხილება: ხელსაწყოს უსაფრთხოდ და გამართულად მუშაობისთვის საჭიროა მისი ყველა შეკეთება და ნაწილის შეცვლა შესრულდეს კვალიფიციური ტექნომსახურების ტექნიკოსის მიერ.

⚠ გაფრთხილება: მოწყობილობის გამოყენებამდე ყურადღებით გაეცანით აღნიშნულ სახელმძღვანელოში მოცემულ უსაფრთხოების წესებს, მათ შორის ყველა უსაფრთხოების სიმბოლოს, როგორცაა „სამიშროება“, „გაფრთხილება“ და „ყურადღება“. ქვემოთ ჩამოთვლილი მითითებების შესრულებლობამ შეიძლება გამოიწვიოს დენის დარტყმა, ხანძარი და/ან სხეულის სერიოზული დაზიანება.



სიგნალი საფრთხის შესახებ



გაიკეთეთ თვალის დამცავი



გაიკეთეთ თავის დამცავი საშუალება



მოერიდეთ ჯაჭვური ხერხის უკუცემას და ძელის წვერთან კონტაქტს



ინფორმაცია მიმმართველ ძელზე



გარანტირებული ხმის სიმძლავრის დონე. გარემოში ხმაურის გავრცელების დონე ევროკავშირის რეგულაციების შესატყვისია.



მოწყობილობა შეესაბამება EC-ის მოქმედ რეგულაციებს.



Bluetooth®

მმ

მილიმეტრი

შეინახეთ ყველა გაფრთხილება და ინსტრუქცია სამომავლოდ გამოყენებისთვის.

უსაფრთხოების სიმბოლოები

⚠ გაფრთხილება: ელექტრო ხელსაწყოს გამოყენებისას შესაძლოა უცხო სხეულის თვალის მიდამოში მოხვედრა, რამაც შესაძლოა გამოიწვიოს თვალის მნიშვნელოვანი დაზიანება. ელექტრო ხელსაწყოს გამოყენებამდე აუცილებლად მოირგეთ უსაფრთხოების თვალსაფარი ან სათვალე სახის გვერდითა ნაწილების და მთლიანი სახის დამცავი ეკრანით, საჭიროების შემთხვევაში. ჩვენ რეკომენდაციას ვუწვევთ ფართო ხედვის არის მქონე უსაფრთხოების ნიღაბს სათვალეებთან ერთად ან სტანდარტულ გვერდითა დამცავის მქონე უსაფრთხოების სათვალეებთან ერთად გამოსაყენებლად.



დაზიანების რისკის შესამცირებლად, მომხმარებელმა უნდა წაიკითხოს და გაიგოს მოწყობილობის მუშაობის ინსტრუქცია, მის გამოყენებამდე.



გაიკეთეთ ყურების დამცავი



ჩაიკეთი დამცავი ხელთათმანები



ძელის წვეტის უკუცემა



ყოველთვის გამოიყენეთ ჯაჭვური ხერხი ორი ხელით



ელექტრო პროდუქტის ნარჩენები არ გადაყაროთ საყოფაცხოვრებო ნარჩენებთან ერთად. წაიღეთ შესაბამის გადამამუშავებელ საწარმოში.



აღნიშნული პროდუქტი აკმაყოფილებს გაერთიანებული სამეფოს კანონმდებლობით დადგენილ მოთხოვნებს.



მუდმივი დენი

no

დაუტვირთავი სიჩქარე



V ძაბვა
IPX5 წყლის ჭავლისგან დაცვა

../min წუთში

შენიშვნა: Bluetooth® სიტყვის ნიშანი და ლოგოები რეგისტრირებული სავაჭრო ნიშნებია, რომლებიც Bluetooth SIG, inc. ეკუთვნის და EGO-ს მიერ ასეთი ნიშნების ნებისმიერი გამოყენება ლიცენზირებულია.

სპეციფიკაციები

ნომინალური ძაბვა	56 ვოლტი
მაქს. ჯაჭვის სიჩქარე	30 მ/წმ
ჯაჭვის ბიჯი	8.255 მმ / 0.325"
ჯაჭვის სისქე	1.3 მმ
მიმართველი ძელის სიგრძე	50 სმ
ხერხის ჯაჭვის მოდელი	AC2035 (რეკომენდებული)
	AC1635, AC1835 (თავსებადი)
ხერხის ჯაჭვის და მიმართველი ძელის მოდელი	AK2035 (რეკომენდებული)
	AK1635, AK1835 (თავსებადი)
ჯაჭვის ზეთის საცავის მოცულობა	250 მლ
წონა (აკუმულატორის ბლოკის გარეშე, ხერხის ჯაჭვი, მიმართველი ღერძი, გვერდითი საფარი, ზეთი და ჯაჭვის გარსი)	4,3 კგ
რეკომენდებული საექსპლუატაციო ტემპერატურა	-15°C-40°C
რეკომენდებული დასაწყობების ტემპერატურა	-20°C-70°C
რეკომენდებული დამუხტვის ტემპერატურა	5°C-40°C
გაზომილი ხმის სიმძლავრის დონე L_{WA}	102 დბ(A) K=2,3 დბ(A)

ბგერის წნევის დონე სამუშაო პოზიციაში L_{PA}	92 დბ(A) K=3 დბ(A)	
გარანტირებული ხმის სიმძლავრის დონე L_{WA} (2000/14/EC რეგულაციის მიხედვით)	104 dB(A)	
ვიბრაცია a_h	წინა სახელური	3,3 მ/წმ ² K=1,5 მ/წმ ²
	უკანა სახელური	1,74 მ/წმ ² K=1,5 მ/წმ ²

- მითითებული ვიბრაციის სრული სიდიდე გაზომილია სტანდარტული ტესტირების მეთოდის გამოყენებით და შესაძლოა გამოყენებულ იქნას ერთი მოწყობილობის მეორესთან შედარებისას;
- მითითებული ვიბრაციის სრული სიდიდე ასევე შესაძლოა გამოყენებულ იქნას ზემოქმედების პირველადი შეფასებისას.

შენიშვნა: ელექტრო ხელსაწყოთა ფაქტორივი გამოყენებისას ვიბრაციის ემისია შესაძლოა განსხვავდებოდეს მითითებული სიდიდისგან; მომხმარებელმა მოწყობილობით სარგებლობისას საჭიროა გამოიყენოს ხელთათმანები და სმენის დამცავი საშუალებები.

შეფუთვის ფურცელი (სურ. A1)

აღწერა

შეისწავლეთ თქვენი ჯაჭვური ხერხი (ნახ. A1)

1. ხერხის ჯაჭვი
2. ხერხის უკუცემის მუხრუჭის ლაფოტი
3. წინა სახელური
4. LCD ეკრანი
5. სიჩქარის დონე

KA

6. Bluetooth-ის ხატულა
7. შუქფარის ხატულა
8. მუხრუჭის ხატულა
9. მაღალი ტემპერატურის ინდიკატორი
10. საწვავის მარკენბლის წრე
11. ჩატვირთვით მიმდინარე დონე
12. ზეთის ინდიკატორი
13. ფარის/Bluetooth-ის ღილაკი
14. ზეთის მისაწოდებელი ღილაკი
15. ზეთის მიწოდების დონე
16. ჩამკეტი ღილაკი
17. ტრიგერული გამომრთველი
18. უკანა სახელური
19. ჯაჭვის სიჩქარის გადამრთველი
20. აკუმულატორის მოხსნის ღილაკი
21. ზეთის შემოწმების ფანჯარა
22. ზეთის საცავის ხუფი
23. მიმმართველი ძელი
24. შესაზეთი ნასვრეტი
25. ჯაჭვის დამჭიმავი ჭანჭიკი
26. გვერდითი ხუფი
27. საკეტი ქანჩი
28. ჯაჭვიანი ხერხის მაკომპენსირებელი კბილანები
29. LED პროექტორები
30. ჯაჭვის შალითა
31. მრავალფუნქციური გასაღები

ნაკრები

ძელის და ჯაჭვის აწყობის/გამოცვლის წესი

⚠ გაფრთხილება: აწყობამდე დაარეგულირეთ ჯაჭვის უკუცემის მუხრუჭის სახელური დამუხრუჭების პოზიციაში.

1. მოათავსეთ ჯაჭვური ხერხის ელექტრული თავი გვერდზე ისე, რომ გვერდითა ხუფი იყოს ზედა მხარეს (ნახ. B).
2. მოხსენით გვერდითა ხუფი გვერდითა ხუფის ორი ჩამკეტი ქანჩის საათის ისრის საწინააღმდეგო მიმართულებით დატრიალებით.
3. დაატრიალეთ ჯაჭვის დამჭიმავი ჭანჭიკი საათის ისრის საწინააღმდეგო მიმართულებით ჯაჭვის დაჭიმვის მოსაშვებად.
4. მოათავსეთ ხერხის ჯაჭვი მარჯულისებურად ბრტყელ ზედაპირზე და გაასწორეთ ნებისმიერი გადახლართვა (ნახ. C).
5. მოათავსეთ ჯაჭვის მამომრავებელი რგოლები ძელის სიდრუეში და

დარწმუნდით, რომ ჯაჭვი შემოევლება ძელს უკანა მხრიდან (ნახ. D).

6. დაიჭირეთ ჯაჭვი ძელზე პოზიციაში და ჩამოცვით მარჯუთი კბილანას გარშემო (ნახ. E1).

B-1	საკეტი ქანჩი	D-2	მიმმართველი ძელის სიდრუე
B-2	ჯაჭვის დამჭიმავი ჭანჭიკი	E-1	წამყვანი კბილანა
D-1	ჯაჭვური ამბრავის რგოლები		

შენიშვნა: როცა ხერხის ჯაჭვს მარჯულისებურად წამოაცმევთ მიმმართველ ღერძზე, დარწმუნდით, რომ ხერხზე მიმმართველი ღერძის დამონტაჟების შემდეგ საჭრელის მიმართულება შეესაბამებოდეს კორპუსზე გამოსახულ ჭრის ხატულას და ზრუნვის მიმართულების ისარს. თუ ისინი საპირისპირო მიმართულებით არის მიმართული, ხელახლა ააწყვეთ ხერხის ჯაჭვი მიმმართველ ძელზე ისე, რომ საჭრელი დანები მიმართული იყოს იმავე მიმართულებით (სურ. E2).

7. შეცვალეთ გვერდითა ხუფი ჯაჭვის ხერხის კორპუსზე და მაგრად მოუჭირეთ ორ ჩამკეტ ჭანჭიკს.
8. დაატრიალეთ ჯაჭვი ხელით, რათა შეამოწმოთ, არის თუ არა სათანადოდ აწყობილი. წინააღმდეგ შემთხვევაში, ხელახლა ააწყვეთ ჯაჭვი და ძელი.

შენიშვნა: ძელის სიცოცხლის ხანგრძლივობის გასაზრდელად, ხანდახან მოატრიალეთ მისი დამაგრების მდებარეობა.

ჯაჭვის დაჭიმვის რეგულირება

- გააჩერეთ ძრავა და მოხსენით აკუმულატორი სანამ დაიწყებთ ჯაჭვის დაჭიმვის რეგულირებას. ჯაჭვის დაჭიმვა დაარეგულირეთ ჯაჭვის დამჭიმავი ხრახნის საათის ისრის მიმართულებით ან საწინააღმდეგო მიმართულებით დატრიალებით (ნახ.

KA

F), სანამ ჯაჭვი მჭიდროდ არ შემოხვდება ძელს მამოძრავებელი რგოლებით ძელის სიღრუეში.

- გრილი ჯაჭვი სწორადაა დაჭიმული, თუ მოშვებული არაა ძელის ქვედა მხარეს და ძელს ჯაჭვი მჭიდროდ ეკვრის, თუმცა ამავე დროს შესაძლებელია ჯაჭვის ხელით დატრიალება. ჯაჭვის ხელახალი დაჭიმვა საჭირო ხდება, როდესაც მამოძრავებელი რგოლების ბრტყელი ნაწილი აღარ ჯდება ძელის სიღრუეში.
- ხერხის ჩვეულებრივი მოხმარებისას, ჯაჭვის ტემპერატურა მოიმატებს. სწორად დაჭიმული ჯაჭვის გამთბარი რგოლები ძელის სიღრუედან ჩამოეკიდება დაახლოებით 1.3 მმ-ით (ნახ. G).

შენიშვნა: ჩვეულებრივ ახალი ჯაჭვები იწელება დროთა განმავლობაში; შეამოწმეთ ჯაჭვის დაჭიმვის ხარისხი პერიოდულად და შესაბამისად დაარეგულირეთ ხოლმე.

შენიშვნა: თბილი დაჭიმული ჯაჭვი შესაძლოა გახდეს ზედმეტად დაჭიმული გაფრთხილების შემდეგ. შეამოწმეთ დაჭიმულობა გრილი ჯაჭვის შემთხვევაში ხელსაწყოს შემდეგ გამოყენებამდე.

ექსპლუატაცია

▲ გაფრთხილება: შეეცადეთ მსგავსი პროდუქტის გამოყენების გამოცდილებამ არ გამოიწვიოს თქვენი გაუფრთხილებლობა. დაიმანსოვრეთ, რომ გაუფრთხილებლობამ წამის მეათედშიც კი შესაძლოა მოგეტანოთ სერიოზული ზიანი.

▲ გაფრთხილება: არ გამოიყენოთ სხვა მისამარებელი ხელსაწყო ან აქსესუარი, რომელიც არაა რეკომენდებული ამ პროდუქტის მწარმოებლის მიერ. არარეკომენდებული მისამარებელი ხელსაწყო ან აქსესუარების გამოყენებამ შესაძლოა მოგაყენოთ სერიოზული ზიანი.

▲ გაფრთხილება: უცაბედი ჩართვის გამოსარიცხად, რომელმაც შესაძლოა გამოიწვიოს სერიოზული პერსონალური ზიანი, ყოველთვის მოხსენით აკუმულატორი ხელსაწყო, როდესაც ხდება მისი აწყობა, რეგულირება, წმენდა ან როდესაც არ ხდება ხელსაწყო გამოყენება.

ყოველი გამოყენების წინ შეამოწმეთ მთლიანი პროდუქტი, ხომ არ არის დაზიანებული,

დაკარგული ან მოშვებული მისი ნაწილები, როგორცაა ხრახნები, ქანჭები, ქანჭიკები, ხუფები და ა.შ. მჭიდროდ დაუჭირეთ ყველა სამაგრი და ხუფი და არ ამოშაოთ ეს ხელსაწყო, სანამ ყველა დაკარგული ან დაზიანებული ნაწილი არ შეიცვლება.

გამოყენებები

თქვენ შეგიძლიათ ამ ხელსაწყოს გამოყენება ხის მოჭრის, გასხევის, გასხვლის და ხეების და ხის მასალის გახერხვის მიზნით.

შენიშვნა: ხელსაწყოს გამოყენება შესაძლებელია მხოლოდ დანიშნულებისამებრ. სხვა ნებისმიერი სახით გამოყენება ჩაითვლება, როგორც არასწორი გამოყენების შემთხვევა.

ძელის და ჯაჭვის ზეთის ავსება.

▲ გაფრთხილება: ნუ მოსწვეთ ან მოიტანთ ნებისმიერ ცეცხლს ან ალს ზეთის ან ჯაჭვური ხერხის სიახლოვეს. ზეთი შესაძლოა დაიქვს და გაჩნდეს ხანძარი.

შენიშვნა: ჯაჭვური ხერხი არ არის ზეთით სავსე შემენის მომენტში. აუცილებელია ავზის შევსება ზეთით ხელსაწყოს გამოყენებამდე. ჯაჭვი ავტომატურად იძიხება ზეთით მუშაობის პროცესში.

1. მოათავსეთ ჯაჭვური ხერხი გვერდზე ისე, რომ ავზის ხუფი იყოს ზეთით მიმართული.
2. გაწმინდეთ ზეთის საცავის ხუფი და მის გარშემო არსებული არე, რათა დარწმუნდეთ, რომ საცავში არ მოხვდება ჭუჭყი.
3. ასწიეთ ნახევრად წრიული ფირფიტა და მოატრიალეთ ზეთის ავზის ხუფი საათის ისრის საწინააღმდეგო მიმართულებით მოსახსნელად (ნახ. H).
4. ფრთხილად ჩაასხით ძელის და ჯაჭვის ზეთი საცავში. შეავსეთ ზეთით შემვსები ყელის ბოლომდე.
5. მოწმინდეთ ნარჩენი ზეთი და დაუჭირეთ ხუფი.

შენიშვნა ხშირად შეამოწმეთ ზეთის დონე და შეავსეთ ის, როდესაც ზეთის დონე მინიმუმზე დაბლა ჩამოვა. არასოდეს ჩართოთ ჯაჭვური ხერხი, თუ ზეთის დანახვა შეუძლებელია.

აკუმულატორის ჩამაგრება/მოხსნა

შენიშვნა: საწვავის საზომის წრე LCD ეკრანზე მითითებულ აკუმულატორის დატენვის დონეზე (ნახ. A1). წრე აციმციმდება,

KA



როდესაც აკუმულატორის დამუხტვის დონე ამოწურვის პირასაა. სრულად დატენით თქვენი აკუმულატორი პირველ ჯერზე სარგებლობამდე.

გამოიყენეთ მხოლოდ ნახ. A2-ში ჩამოთვლილი EGO-ს აკუმულატორის ბლოკები და დამტენები.

სრულად დატენით პირველად გამოყენებამდე.

დამაგრება

გაუსწორეთ აკუმულატორის სამაგრები ბუდის ნასვრეტებს და დააწეით აკუმულატორის ბლოკს, სანამ არ გაიგებთ „წკაპუნის“ ხმას (ნახ. I).

მობხნა

დააჭირეთ აკუმულატორის გამწვებ ღილაკს და ამოიღეთ აკუმულატორის ბლოკი (ნახ. J).

ჯაჭვური ხერხის ჩართვა/გამორთვა

შენიშვნა: ჯაჭვური ხერხის ჩართვამდე შეამოწმეთ ზეთის დონე, ხერხის კბილები დაბლაგვებაზე და უკუცემის მუხრუჭის ბერკეტი სწორად მუშაობაზე. ამასთან, იქონიეთ მყარი საყრდენი და მართებული დისტანცია მიწიდან.

დაწევა (ნახ. K)

1. მოქაჩეთ ხერხის უკუცემის მუხრუჭის სახელურს ხერხის წინა სახელურისკენ, რათა მოათავსოთ სამუშაო პოზიციაში (ნახ. K).
2. მაგრად ჩაჭიდეთ წინა სახელურს მარცხენა ხელი და უკანა სახელურს - მარჯვენა.

⚠ გაფრთხილება: ტრავმის თავიდან აცილების მიზნით, ყოველთვის გამოიყენეთ ჯაჭვის ხერხი მარჯვენა ხელით, ისე, რომ ხელი ჩასჭიდოთ უკანა სახელურს მოსაჭიდ არეში (ნახ. L).

3. დიდხანს დააწეით გამორთვის ღილაკს თქვენი მარჯვენა ხელის ცერით, შემდეგ მარჯვენა ხელის თითებით მოუჭირეთ ჩამრთველს, რათა ჩართოთ ხერხი (ნახ. L).

L-1	მოჭერის ზონა
-----	--------------

4. ხელი გაუშვით განმბლოკავ ღილაკს და გააგრძელეთ ტრიგერ ჩამრთველზე თითის დაჭერა მუშაობის გასაგრძელებლად.
5. რაც უფრო მეტად ხდება ტრიგერულ

გადამრთველზე დაჭერა, მით უფრო მეტია ჯაჭვის სიჩქარე. დაარეგულირეთ სიჩქარე შესასრულებელი სამუშაოს მიხედვით.

⚠ გაფრთხილება: არ შეეცადოდ ხერხის ჩართვას, როდესაც ჯაჭვური ხერხი დარჩენილია ჭედში.

გამორთვა

1. მოამორეთ ჯაჭვური ხერხი ჭრის ზონას და შემდეგ აუშვით ტრიგერ ჩამრთველს, რათა გააჩეროთ ჯაჭვიანი ხერხი.
2. დააწეით ჯაჭვის უკუცემის მუხრუჭის სახელურს წინ სამუხრუჭო პოზიციაში, რათა ჩართოთ ჯაჭვის მუხრუჭი (ნახ. K).

⚠ გაფრთხილება: ყოველთვის მოხსენით აკუმულატორი მოწყობილობას შესვენებისას ან სამუშაოს დამთავრებისთანავე.

სიჩქარის რეჟიმის შეცვლა (ნახ. M)

ამ მოწყობილობას გააჩნია სამი სიჩქარის რეჟიმი. თითოეული სიჩქარის რეჟიმი ზღუდავს ჯაჭვიანი ხერხის მაქსიმალურ სიჩქარეს. ჯაჭვის სიჩქარის გადამრთველზე თითოეული დაჭერისას, სიჩქარის რეჟიმი შეიცვლება.

სიჩქარის დონე თხევადკრისტალურ ეკრანზე აჩვენებს სიჩქარის აქტიურ სტატუსს: ერთი ზოლი დაბალი სიჩქარის შემთხვევაში, ორი ზოლი საშუალო სიჩქარის დროს, სამი ზოლი მაღალი სიჩქარის შემთხვევაში. დაბალი სიჩქარის რეჟიმი (ECO) უზრუნველყოფს მანქანის უკეთეს კონტროლს და უფრო ხანგრძლივ სამუშაო დროს თითო დატენვაზე.

M-1	სიჩქარის დონე	M-7	ჩატვირთვით მიმდინარე დონე
M-2	Bluetooth-ის ხატულა	M-8	ფარის/ Bluetooth-ის ღილაკი
M-3	შუქფარის ხატულა	M-9	ზეთის მისაწოდებელი ღილაკი
M-4	მუხრუჭის ხატულა	M-10	ჯაჭვის სიჩქარის გადამრთველი

KA

M-5	მაღალი ტემპერატურის ინდიკატორი	M-11	ზეთის მიწოდების დონე
M-6	საწვავის მაჩვენებლის წრე	M-12	ზეთის ინდიკატორი

შენიშვნა: 4.0 ა/სთ ან ნაკლები სიმძლავრის EGO აკუმულატორების ბლოკის გამოყენებისას ხელმისაწვდომია მხოლოდ ECO რეჟიმი. 6.0 ა/სთ-ზე ნაკლები სიმძლავრის EGO აკუმულატორის ბლოკის გამოყენება არ მოგვცემთ მაღალი სიჩქარის მიღწევის შესაძლებლობას. საუკეთესო შედეგებისთვის, გირჩევთ 6.0 ა/სთ ან მეტი სიმძლავრის (მაგ., BA3360T) EGO აკუმულატორების ბლოკის გამოყენებას.

შენიშვნა: ჯაჭვიან ხერხს აქვს ჯაჭვის სიჩქარის მუხრეგების ფუნქცია. შემდეგ ჯერზე, როდესაც ჯაჭვის ხერხი ჩაირთვება, ადრე გამოყენებული სიჩქარის რეჟიმი გააქტიურდება.

შენიშვნა: LCD ეკრანი ანათებს ტრიგერულ გადამრთველის გამორთვისას ან ზეთის მიწოდების დონის ან პროექტორის/ Bluetooth-ის დონის დაჭერისას. LCD ეკრანი ავტომატურად გამორთვება უმოქმედობის დაახლოებით 1 წამის შემდეგ.

შენიშვნა: ჯაჭვის სიჩქარის გადამრთველის დაჭერით LCD ეკრანი არ ჩაირთვება.

დატვირთვის დონე (ნახ. M)

LCD ეკრანის მარჯვენა მხარეს დატვირთვის დონე აჩვენებს აპარატის არსებულ დატვირთვას. ზოლების მეტი რაოდენობა მიუთითებს უფრო მაღალ დატვირთვაზე, ხოლო ზოლების ნაკლები რაოდენობა მიუთითებს დაბალ დატვირთვაზე.

ეს ფუნქცია ძირითადად განკუთვნილია გაზზე მომუშავე ჯაჭვიანი ხერხის გამოცდილი მომხმარებლებისთვის, რომლებმაც შესაძლოა ვერ იგრძნონ, თუ როგორ მოქმედებს აკუმულატორზე მომუშავე ხერხი სხვადასხვა დატვირთვის დროს. ის ეხმარება მომხმარებლებს აკონტროლონ დატვირთვა, რათა თავიდან აიცილონ ხანგრძლივი მუშაობა მძიმე დატვირთვის შემთხვევაში, რამაც

შეიძლება გამოიწვიოს ჯაჭვიანი ხერხის გაჩერება მუშაობის დროს გადახურების გამო.

მაღალი ტემპერატურის ინდიკატორი (ნახ. M)

მაღალი ტემპერატურის ინდიკატორი აინთება, როდესაც მანქანის ტემპერატურა გადააჭარბებს 194°F-ს (90°C) ან აკუმულატორის ტემპერატურა გადააჭარბებს 158°F-ს (70°C) მუშაობისას. ტემპერატურის დამცავი სისტემა მაშინვე გამორთავს მოწყობილობას გადახურებით გამოწვეული დაზიანების თავიდან აცილების მიზნით. გამორთეთ ტრიგერი და დაელოდეთ, სანამ გადახურებული მოწყობილობა ან აკუმულატორი გაცივდება და მაღალი ტემპერატურის ინდიკატორი გამორთვება, შემდეგ გადატვირთეთ მანქანა.

მუხრუჭის ხატულა (ნახ. M)

მუხრუჭის ხატულა ჩნდება LCD ეკრანზე, როდესაც სამუხრუჭე ფრთა სამუხრუჭე მდგომარეობაშია.

როცა ყველა მხარეს მიმართული ჯაჭვური მუხრუჭის მქონე სისტემა გააჩერებს ხერხს, ციმციმს დაიწყებს მუხრუჭის ხატულა. დეტალური ინფორმაციისთვის იხილეთ შემდეგი თავი.

ყველა მხარეს მიმართული ჯაჭვური მუხრუჭის მქონე სისტემა (სურ. N1 და სურ. N2)

გაფრთხილება: ყველა მხარეს მიმართული ჯაჭვური მუხრუჭის მქონე სისტემა არ არის გამოიზნული იმისთვის, რომ იმოქმედოს სტანდარტული/ტრადიციული ჯაჭვური მუხრუჭის შემცვლელად. მომხმარებელი არასდროს უნდა დაეყრდნოს ამ ფუნქციას ჯაჭვიანი ხერხის მუშაობისას, რათა დაიცვას თავი უკუცემისგან. მუდამ დაიცავით უკუცემის შემსუბუქებასთან დაკავშირებული უსაფრთხოების ინსტრუქციები, რომელთაც აპოვით ამ სახელმძღვანელოს გაფრთხილებების ნაწილში.

როცა ყველა მხარეს მიმართული ჯაჭვური მუხრუჭის მქონე სისტემა გააქტიურებულია და გააჩერებს ხერხს, LCD ეკრანზე ციმციმს დაიწყებს მუხრუჭის ხატულა (სურ. M). ხელი გაუშვით ჩამრთველ ტრიგერს, ამოიღეთ ხერხის ჯაჭვი და მიმმართველი ძელი ხიდან და ხელახლა ჩართეთ ხერხი.

შენიშვნა: სენსორები გამოავლენენ მხოლოდ ხერხის უცაბედ მოძრაობას მიმმართველი ძელის სიბრტყეზე (სურ. N1). სენსორები არ გამოავლენენ ხერხის უცაბედ მოძრაობას გვერდზე (სურ. N2) (ე.ი., მიმმართველი ძელის

KA



სიბრტყის პერპენდიკულარულად).

ზეთის გამოშვების დონე და ზეთის დაბალი დონის ინდიკატორი (სურ. M)

მანქანა ავტომატურად ახორციელებს ჯაჭვის გაზოხვას. ეს ჯაჭვიანი ხერხი საშუალებას გაძლევთ შეცვალოთ ზეთის გამოშვების სიჩქარე ზეთის მიწოდების დილაკზე ყოველი დაჭერისას.

შენიშვნა: ზეთის გამოშვების სიჩქარე შეიძლება შეიცვალოს მხოლოდ მაშინ, როდესაც ხერხის ჯაჭვი არ მოძრაობს.

LCD ეკრანზე ზეთის გამოშვების დონე აჩვენებს ზეთის გამოშვების სიჩქარეს. ერთი ზოლი გამოშვების დაბალ სიჩქარეს აჩვენებს, ორი ზოლი საშუალო სიჩქარეს და სამი ზოლი კი გამოშვების მაღალ სიჩქარეს.

აირჩიეთ გამოშვების უფრო მაღალი სიჩქარე ჯაჭვის უფრო სწრაფი სიჩქარისთვის. თუ მუშაობის დროს ხერხის ჯაჭვი გაშრება, გააჩერეთ მრავა და აირჩიეთ ზეთის გამოშვების მაღალი სიჩქარე.

როდესაც ზეთის დონე დაბალია, გამოჩნდება ზეთის დაბალი დონის ინდიკატორი ზეთის გამოშვების ზოლების ზემოთ LCD ეკრანზე და ხელმისაწვდომი იქნება მხოლოდ დაბალი გამოშვების სიჩქარე. გააჩერეთ ჯაჭვიანი ხერხი და ხელახლა შეავსეთ ზეთის ავზი ზეთის ავზის შევსება პელით და ჯაჭვის საპოხი მასალებით თავში მითითებული სახით.

ზეთის ავზის შევსების შემდეგ ამუშავეთ ჯაჭვიანი ხერხი დაახლოებით 10 წამის განმავლობაში, რათა ავტომატური შეზეთვის სისტემამ დაიწყო მუშაობა და ინდიკატორი გაქრება LCD ეკრანიდან.

შენიშვნა: თუ ზემოაღნიშნული ქმედებების შესრულების შემდეგ ინდიკატორი კვლავ LCD ეკრანზეა, სისტემა შეიძლება დაზიანებული იყოს. შეწყვიტეთ ჯაჭვიანი ხერხის გამოყენება და დაუკავშირდით EGO უფლებამოსილ სერვის ცენტრს მის შესაკეთებლად.

KA

LED პროექტორები (ნახ. O)

LED პროექტორები მოთავსებულია ჯაჭვური ხერხის კორპუსის წინ. ეს პროექტორი უზრუნველყოფს დამატებით განათებას

ხილვადობის გაზრდის მიზნით და რეგულირებადია სიკაშკაშის 2 დონეზე. პროექტორის ჩასართავად დააჭირეთ პროექტორის დილაკს (სურ. M) ერთხელ. პროექტორები ჩაირთვება დაბალი სიკაშკაშის დონეზე და დაბალი სიკაშკაშის პროექტორის ხატულა გამოჩნდება LCD ეკრანზე. კვლავ დააჭირეთ პროექტორის/Bluetooth-ის დილაკს მაღალი სიკაშკაშის დონეზე გადასასვლელად და მაღალი სიკაშკაშის პროექტორის ხატულა გამოჩნდება LCD ეკრანზე.

პროექტორის გამოსართავად დააჭირეთ პროექტორის/Bluetooth-ის დილაკს მესამედ და პროექტორის ხატულა გაქრება LCD ეკრანიდან.

O-1	დაბალი სიკაშკაშის პროექტორის ხატულა	O-3	LED პროექტორები
O-2	მაღალი სიკაშკაშის პროექტორის ხატულა		

საკომუნიკაციო ტექნოლოგია

ინფორმაციისთვის ან დაკავშირებული პროდუქტებისა და სერვისების სრული ასორტიმენტის სანახავად, დაკავშირების ინსტრუქციების ჩათვლით, დაასკანირეთ ქვემოთ მოცემული QR კოდი ან ეწვიეთ ბმულს www.egopowerplus.eu/connect.



სწორად ჩაჭიდება სახელურებზე (ნახ. P1)

- ჩაიცვით მოცურების საწინააღმდეგო ხელთათმანები მაქსიმალური მოჭიდებისა და უსაფრთხოებისთვის.
- მყარ, ბრტყელ ზედაპირზე მოთავსებული ხერხი დაიჭირეთ მჭიდროდ ორივე ხელით.
- ყოველთვის ჩაჭიდეთ წინა სახელურს მარცხენა ხელი და უკანა სახელურს - მარჯვენა.

- თითები უნდა შემოეჭდოს სახელურს, ცერა თითი წინა სახელურის ქვედა მხარეს.

▲ გაფრთხილება: არასოდეს გამოიყენოთ მარცხენა-ხელის (გადანაცვლებული) დაჭერა ან ნებისმიერი სხვა პოზიცია, რომელიც მოაყოლებს თქვენს სხეულს ან მკლავს ჯაჭვის ხაზის გასწვრივ.

▲ გაფრთხილება: არ მოათავსოთ ტრიგერზე მარცხენა ხელი, ხოლო წინა სახელურზე კი – მარცხენა. არასოდეს დაუშვათ თქვენი სხეულის რომელიმე ნაწილის ჯაჭვის ხაზის პირისპირ მოთავსება ხერხის გამოყენებისას (ნახ. P2).

ჭრის მართებული პოზიცია (ნახ. Q)

- ორივე ფეხი უნდა იდგეს მყარად მიწაზე, წონა მათზე თანაბრად გადანაწილებული უნდა იყოს.
- მარცხენა ხელი უნდა იყოს გამართული გაშლილი იდაყვით. ეს გეხმარებათ გაუძლიოთ უკუცემის დროს წარმოქმნილ ძალებს.
- თქვენი სხეული ყოველთვის უნდა იყოს ხერხის ხაზის მარცხენა მხარეს.

მითითებები ხის მოჭრის, გასხევის და განივი ჭრის სწორი ტექნიკის შესახებ

▲ გაფრთხილება: ყოველთვის დაწმუნდით თქვენს მყარ საყრდენზე და დაიჭირეთ ხერხი მჭიდროდ ორივე ხელით, როცა ძრავა მუშაობს.

▲ გაფრთხილება: როდესაც ხერხის ჯაჭვი ჩაიჭირება ხერხვის პროცესში, ხელი გაუშვით ჩამრთველ ტრიგერს, ამოიღეთ ხერხის ჯაჭვი და ჯაჭვური ხერხი ხიდან და ხელახლა ჩართეთ იგი.

▲ გაფრთხილება: არ მოქაჩოთ ხერხის ჯაჭვი ხელით, როცა იგი გაჭედილია ნახერხის გამო. ჯაჭვური ხერხის უცაბედმა ჩართვამ შესაძლოა გამოიწვიოს სერიოზული ფიზიკური ზიანი. დაადეთ ხერხის ჯაჭვი ხეს, ამომრავეთ ხერხი წინ და უკან უცხო სხეულების მოსაცილებლად. ყოველთვის მოხსენით აკუმულატორი გაწმენდამდე. ჩაიცვით დამცავი ხელთათმანები ჯაჭვური ხერხის გამოყენებისას.

▲ გაფრთხილება: არასოდეს ჩართოთ ჯაჭვური ხერხი, როცა ის ეხება ხეს. ყოველთვის მიეცით ჯაჭვურ ხერხს საშუალება, მიაღწიოს მაქსიმალურ სიჩქარეს მისი თვის გახერხვის დაწყებამდე.

ხის მოჭრა

- როდესაც ხდება ხის მოჭრის და დახერხის პროცედურა ორი ან მეტი პირის მიერ ერთდროულად, დახერხის პროცედურა ხის მოჭრის პროცედურისგან უნდა იყოს დაშორებული მოსახერხი ხის სიმაღლის ორმაგი მანძილით. ხე არ უნდა მოიჭრას ისეთი წესით, რომელიც საფრთხეს შეუქმნის სხვა პირს, დაეცემა გადამცემ ხაზს ან გამოიწვევს რაიმე ქონების დაზიანებას. თუ ხე ეხება გადამცემ ხაზებს, დაუყოვნებლივ შეატყობინეთ მათზე პასუხისმგებელ კომპანიას.
- ჯაჭვური ხერხის ოპერატორი უნდა იდგეს მალლოზე, რადგან ხე სავარაუდოდ დაგორდება დაბლა მოჭრის შემდეგ.
- გასაქცევი გზა უნდა დაიგეგმოს და გაიწმინდოს დაბრკოლებებისგან ხის მოჭრის დაწყებამდე. გასაქცევი გზა უნდა გაგრძელდეს ხის დაცემის მოსალოდნელი მიმართულების უკან და დიაგნოსტიკურად, როგორც ნახ. R-ზეა ნაჩვენები.

R-1	ხის წაქცევის მიმართულება	R-2	უსაფრთხო გაქცევის მიმართულება
-----	--------------------------	-----	-------------------------------

- ხის მოჭრამდე გაითვალისწინეთ ხის ბუნებრივი დახრა, დიდი ტოტების მდებარეობა და ქარის მიმართულება, რათა განსაზღვროთ რა მიმართულებით დაეცემა ხე.
- მოაცილეთ ხეს ჭუჭყი, მოშველებული მერქანი, ლურსმნები, ჭიკარტები და სადენები.

ქვედა ჭდის დადება

დაადეთ ხეს მისი დიამეტრის 1/3 სიღრმის ჭდე, წაქცევის მიმართულების პერპენდიკულარულად, როგორც ნახ. S-ზეა ნაჩვენები. ჯერ გააკეთეთ ქვედა ჰორიზონტალური ჭდე. ეს დაგეხმარებათ თავიდან აირიდოთ ხერხის ჯაჭვის ან ძელის ჩაყოლა, როდესაც გააკეთებთ მეორე ჭდეს.

S-1	დაცემის მიმართულება	S-3	ხის წაქცევის საპირისპირო განაკვეთი
S-2	ჭდე	S-4	სახსარი

KA

ხის წაქცევის საპირისპირო განაკვეთი

- გააკეთეთ ხის უკან წაქცევის განაკვეთი მინიმუმ 50 მმ-ით მაღლა, ვიდრე ჰორიზონტალური ჭდე, როგორც ნახ. S-ზეა ნაჩვენები. გააკეთეთ ხის წაქცევის საპირისპირო განაკვეთი ჰორიზონტალური ჭდის პარალელურად. ისე გააკეთეთ ხის წაქცევის საპირისპირო განაკვეთი, რომ დარჩეს საკმარისი ხე შუაში სახსრად. დარჩენილი სახსარი იკავებს ხეს, რათა იგი არ დატრიალდეს და არ წაიქცეს არასწორი მიმართულებით. არ გაჭრათ სახსრის განივად.
- როდესაც ნაჭდევები სახსართან ახლოს დაედება, ხე დაიწყებს დაცემას. თუ არსებობს იმის შანსი, რომ ხე არ დაეცემა სასურველი მიმართულებით ან გამოქანდება უკან და ჩაითრეხს ხერხის ჯაჭვს, გააჩერეთ ხერხის პროცესი ხის წაქცევის განაკვეთის დასრულებამდე და გამოიყენეთ ხის, პლასტმასის ან ალუმინის სოლები, რათა გახსნათ განაკვეთი და წააქციოთ ხე სასურველი მიმართულებით.
- როდესაც ხე დაიწყებს დაცემას, ამოიღეთ ხერხი განაკვეთიდან, გააჩერეთ მოტორი, დადეთ ხერხი და გამოეცალეთ წინასწარ დაგეგმილი გაქცევის მიმართულებით. უფრთხილდით ჩამოვადნილ ტოტებს და არ დაგიცდეთ ფეხი.

ხის გასხევა

გასხევა არის დაცემული ხის ტანიდან ტოტების მოცილება. გასხევისას დატოვეთ დიდი ქვედა ტოტები, რათა მიწიდან აწეული ძელი დაეყრდნოს მათ. მოაცილეთ მცირე ტოტები ერთი მოჭრით, როგორც ნახ. T-ზეა ნაჩვენები. დაჭიმული ტოტები უნდა მოიხერხოს ქვევიდან ზევით, რათა თავიდან აირიდოთ ჯაჭვური ხერხის გახლართვა.

მორის დახერხვა

დახერხვა ნიშნავს მორის სიგრძეში ნაწილებად დაყოფას. მნიშვნელოვანია დარწმუნდეთ, რომ თქვენი საყრდენი მყარია და თქვენი წონა ორივე ფეხზე თანაბრად არის გადანაწილებული. როდესაც შესაძლებელია, მორი უნდა აიწიოს და გამაგრდეს ტოტებით, სხვა მორებით ან საყრდენი სოლებით. მისდით მარტივ მითითებებს ადვილი ხერხისთვის.

- როცა მორს აქვს საყრდენი მისი მთლიანი სიგრძის გასწვრივ როგორც ნახ. U1-ზეა

ნაჩვენები, იგი უნდა ჩამოიჭრას ზევიდან (ზედა განაკვეთი).

- როცა მორს აქვს საყრდენი ერთ ბოლოში როგორც ნახ. U2-ზეა ნაჩვენები, ჩამოჭერით დიამეტრის 1/3 ქვემოდან (ქვედა განაკვეთი). შემდეგ დაასრულეთ გახერხვა ზედა განაკვეთით, რომელიც შეერთდება პირველ ჭდესთან.
- როცა მორს აქვს საყრდენი ორივე ბოლოში როგორც ნახ. U3-ზეა ნაჩვენები, ჩამოჭერით დიამეტრის 1/3 ზემოდან (ზედა განაკვეთი). შემდეგ დაასრულეთ გახერხვა ქვედა განაკვეთით დიამეტრის 2/3-ზე, რომელიც შეერთდება პირველ ჭდესთან.
- როდესაც ხერხავთ დამრეცხე, ყოველთვის იდევით მორის ფერდობის ზედა მხარეს, როგორც ნახ. V-ზეა ნაჩვენები.
- როდესაც „გამჭოლად ხერხავთ“, კონტროლის შესანარჩუნებლად აწეული ხერხის დაწოლა გაჭრის ბოლოს ხერხის სახელურებზე მოჭიდების მოდუნების გარეშე. არ მისცეთ საშუალება ჯაჭვს შეეხოს მიწას. ხერხის დასრულების შემდეგ, დაელოდეთ ხერხის ჯაჭვის გაჩერებას, სანამ გამამორავებთ ჯაჭვურ ხერხს. ყოველთვის გააჩერეთ მოტორი ხიდან ხეზე გადასვლისას.

ტექნიკური მომსახურება

▲ გაფრთხილება: შეკეთებისას გამოიყენეთ მხოლოდ იდენტური სათადარიგო ნაწილები. სხვა ნებისმიერი ნაწილის გამოყენებამ შესაძლოა შექმნას საფრთხე ან გამოიწვიოს მოწყობილობის დაზიანება. ხელსაწყოს უსაფრთხოდ და გამართულად მუშაობისთვის საჭიროა მისი ყველა შეკეთება და ნაწილის შეცვლა შესრულდეს კვალიფიციური ტექნომსახურების ტექნიკოსის მიერ.

▲ გაფრთხილება: სერიოზული პერსონალური ზიანისგან თავის არიდების მიზნით, ამოიღეთ აკუმულატორის ბლოკი ხელსაწყოდან მის დათვალიერებამდე. გაწმენდამდე ან ტექნომსახურებამდე. აკუმულატორზე მომუშავე ხელსაწყო მიმაგრებული აკუმულატორით ყოველთვის ჩართულია და შესაძლოა უცებ ჩაითოს.

▲ გაფრთხილება: როდესაც წმენდთ ჯაჭვურ ხერხს, არ მოათავსოთ წყალში ან სხვა სითხეში.

▲ გაფრთხილება: არცერთ შემთხვევაში არ მისცეთ სატორმუზო სითხეს, ბენზინს,

ნავთობის ბაზაზე დამზადებულ პროდუქტებს ან სხვა ძლიერი გამსუნებლებს მოვიდნენ პლასტმასის ნაწილებთან კონტაქტში. ქიმიურმა ნაერთებმა შესაძლოა დააზიანოს, გაცვიფროს და დაშალოს პლასტმასი, რამაც შეიძლება მოგაყენოთ სერიოზული პირადი ზიანი.

გაწმენდა

- ყოველი გამოყენების შემდეგ მოაცილეთ ნარჩენი ჯაჭვს და მიმმართველ ძელს რბილი ფუნჯით. გადაწმინდეთ ჯაჭვური ხერხის ზედაპირი სუფთა, ნოტიო ქსოვილით და რბილი სარეცხი საშუალებით.
- მოხსენით გვერდითა ხუფი, შემდეგ გამოიყენეთ რბილი ფუნჯი, რათა მოაცილოთ ნარჩენი მიმმართველ ძელს, ხერხის ჯაჭვს, კბილანას და გვერდითა ხუფს.
- მოხსენით ქვედა საფარი მუშაობის ყოველი 8 საათის შემდეგ და შემდეგ გამოიყენეთ რბილი ფუნჯი, რათა მოაცილოთ მანქანაში და საფარზე არსებული ნაწილაკები (ნახ. W).
- ყოველთვის ამოწმინდეთ ნაფოტები, ნახერხი და ჭუჭყი ძელის სიღრუედაც, როდესაც ცვლით ხერხის ჯაჭვს.

მიმმართველი ძელის ტექნოსახურება

როდესაც ხერხის მიმმართველ ძელს დაეტყობა ცვეთის ნიშნები, მოხსენით ის ჯაჭვური ხერხის ელექტრო თავიდან და შემოაბრუნეთ ხელახლა დასაყენებლად (ნახ. X1). რის შედეგადაც ცვეთა გადანაწილდება მის სრულ არეზე და გაიზრდება მისი მუშა ციკლი.

ხერხის ძელი უნდა გაიწმინდოს ყოველ დღე გამოყენების შემთხვევაში და შემოწმდეს ცვეთასა და დაზიანებაზე (სურ. X2). ხერხის ძელის რელსზე ცალმხრივი ცვეთა და უსწორმასწორობები არის ძელის ცვეთის ნორმალური პროცესი. მსგავსი ტიპის უსწორმასწორობები უნდა გაიქლიბოს მათი გამოჩენისთანავე. ქვევით ჩამოთვლილი პრობლემების მქონე ძელი უნდა შეიცვალოს.

- ძელის რელსების მიგნით არსებული ცვეთა, რომლის გამოც ჯაჭვი გვერდით გადაიხრება.
- გაღუნული მიმმართველი ძელი.

- გაზზარული ან გატეხილი რელსები.
- გაშლილი რელსები.

ასევე, ხერხის მიმმართველ ძელს გააჩნია კბილანა მის წვერთან (ნახ. X3).

კბილანის შეხეთვა საჭიროა ყოველკვირეულად ზეთის შპრიცის გამოყენებით, რათა გაზარდოთ ძელის საექსპლუატაციო ვადა. გამოიყენეთ ზეთის შპრიცი, რათა ყოველკვირეულად შეხეთოთ ჯაჭვის ზეთით შესაზეთი ნასვრეტის საშუალებით (ნახ. W4). მოატრიალეთ მიმმართველი ძელი და დარწმუნდით, რომ შესაზეთი ნასვრეტებსა და ძელის ღარში არაა უცხო სხეულები.

X-1	ძელის რელსები	X-3	შესაზეთი ნასვრეტი
X-2	ძელის წვერში არსებული კბილანა		

შენიშვნა: საუკეთესო შედეგისთვის გამოიყენეთ EGO ავტორიზებული საპოხი საშუალებები.

ტრანსპორტირება და შენახვა

არ შეინახოთ ან არ მოახდინოთ ჯაჭვური ხერხის ტრანსპორტირება ჩართულ მდგომარეობაში. ყოველთვის მოხსენით აკუმულატორი შენახვამდე ან ტრანსპორტირებამდე.

ყოველთვის გაუკეთეთ ძელის და ჯაჭვის შალითა ხერხს მის შენახვამდე ან ტრანსპორტირებამდე გამოიჩინეთ სიფრთხილე ჯაჭვის მჭრელ რგოლებთან მიმართებაში.

საგულდაგულოდ გაწმინდეთ ჯაჭვური ხერხი შენახვამდე. შეინახეთ ჯაჭვური ხერხი შენობაში მშრალ, დაკეტილ და/ან ბავშვებისთვის მიუწვდომელ ადგილას.

მოაცილეთ კოროზიის გამომწვევი ნივთიერებები, როგორცაა სოფლის მეურნეობაში გამოყენებული ქიმიკატები და მოყინვის საწინააღმდეგე ტექნიკური მარილი.

KA



გარემოს ცავა



არ მოათავსოთ ელექტრო
მოწყობილობა, ნახმარი დამტენი
და აკუმულატორი
საყოფაცხოვრებო ნაგავში!

მიუტანეთ პროდუქტი
ნარჩენების ავტორიზირებულ
გადამამუშავებელს და
უზრუნველყავით ასეთი ნარჩენის
განცალკევებულად შეგროვება.
ელექტრო ხელსაწყოები
უნდა ჩაბარდეს ნარჩენების
გადამამუშავებელ ობიექტს.

KA

დიაგნოსტიკა

▲ გაფრთხილება: ყოველთვის დაიცავით თქვენი ხელები დამცავი ხელთათმანებით, როცა ხერხის ჯაჭვს უტარებთ ნებისმიერ სერვისს. ყოველთვის მოხსენით აკუმულატორი ჯაჭვურ ხერხს სერვისამდე ან ტრანსპორტირებამდე.

პრობლემა	მიზეზი	გადაჭრის გზა
ძრავა არ ირთვება.	<ul style="list-style-type: none"> ■ აკუმულატორი არ არის შეერთებული ხერხზე. ■ ხერხსა და აკუმულატორს ბლოკს შორის არ არის ელექტრო კონტაქტი. ■ თუ LCD ეკრანზე საწვავის საზომის წრე ციმციმებს, აკუმულატორის ბლოკი დაცლილია. ■ თუ მაღალი ტემპერატურის ინდიკატორი გამოჩნდება LCD ეკრანზე, აკუმულატორის ბლოკი ან ჯაჭვიანი ხერხი მალიან ცხელია. ■ თუ ჯაჭვის სამუხრუჭე ხატულა გამოჩნდება LCD ეკრანზე, ჯაჭვის მუხრუჭი ჩართულია. ■ ძელის სიდრუეში უცხო სხეულებია. ■ უცხო სხეულები გვერდითა ხუფში. 	<ul style="list-style-type: none"> ■ მიუერთეთ აკუმულატორი ჯაჭვურ ხერხს. ■ მოხსენით აკუმულატორის ბლოკი, შეამოწმეთ კონტაქტები და კვლავ მოათავსეთ იგი უკან. ■ დატენეთ აკუმულატორის ბლოკი. ■ აცალეთ ჯაჭვურ ხერხს ან აკუმულატორს გაგრილება 67°C-ის ქვევით. ■ მოქაჩეთ ჯაჭვის ხერხის უკუცემის მუხრუჭის სახელურს უკან ხერხის წინა სახელურისკენ, რათა მოათავსოთ სამუშაო პოზიციაში. ■ დაადეთ ხერხის ჯაჭვი ხეს, ამომრავეთ ხერხი წინ და უკან უცხო სხეულების მოსაცილებლად. ■ მოხსენით აკუმულატორი, შემდეგ მოუშვით გვერდითა ხუფი და გაწმინდეთ უცხო სხეულებისგან.
სიჩქარის რეჟიმის შეცვლა შეუძლებელია.	<ul style="list-style-type: none"> ■ ჯაჭვის სიჩქარის გადამრთველი გაჭედულია ნატეხებით. 	<ul style="list-style-type: none"> ■ მოაცილეთ ნატეხები ჯაჭვის სიჩქარის გადამრთველის გარშემო.

პრობლემა	მიზეზი	გადაჭრის გზა
ჯაჭვიანი ხერხი ჩერდება მუშაობის პროცესის დროს.	<ul style="list-style-type: none"> ■ ხერხი გადატვირთულია. ■ თუ მაღალი ტემპერატურის ინდიკატორი გამოჩნდება LCD ეკრანზე, აკუმულატორის ბლოკი ან ჯაჭვიანი ხერხი ძალიან ცხელია. ■ ხერხის ჯაჭვი გაჭედილია ხეში. ■ თუ ჯაჭვური მუხრუჭის ხატულა ციმციმებს LCD ეკრანზე, ყველა მხარეს მიმართული ჯაჭვური მუხრუჭის მქონე სისტემა გააჩერებს ხერხს. 	<ul style="list-style-type: none"> ■ შეამცირეთ დატვირთვა. ■ აცალეთ ჯაჭვურ ხერხს ან აკუმულატორს გაგრილება 67°C-ის ქვევით. ■ ხელი გაუშვით ჩამრთველ ტრიგერს, ამოიღეთ ხერხის ჯაჭვი და ჯაჭვური ხერხი ხიდან და ხელახლა ჩართეთ ხერხი. ■ ხელი გაუშვით ჩამრთველ ტრიგერს, ამოიღეთ ხერხის ჯაჭვი და ჯაჭვური ხერხი ხიდან და ხელახლა ჩართეთ ხერხი.
ძრავი ირთვება, მაგრამ ჯაჭვი არ მოძრაობს.	<ul style="list-style-type: none"> ■ ჯაჭვი არ ატრიალებს მოძრავ კბილანას. 	<ul style="list-style-type: none"> ■ თავიდან დაამონტაჟეთ ჯაჭვი, დარწმუნდით, რომ ჯაჭვის მამოძრავებელი რგოლები სრულიად მორგებულია კბილანას.
ჯაჭვის მუხრუჭი არ ფუნქციონირებს.	<ul style="list-style-type: none"> ■ ნამსხვრევები ხელს უშლის ხერხის უკუცემის მუხრუჭის სახელურს სრულ გადაადგილებას. ■ შესაძლოა ჯაჭვის მუხრუჭის ფუნქციონირების დარღვევა. 	<ul style="list-style-type: none"> ■ მოაცილეთ უცხო სხეულები ჯაჭვის მუხრუჭის მექანიზმს. ■ მიმართეთ EGO-ს კლიენტთა მომსახურების ცენტრს შეკეთებისთვის.
ავზში ზეთის დაბალი დონის ინდიკატორი ჩნდება LCD ეკრანზე, მაშინაც კი, როცა იქ საკმარისი ოდენობის ზეთია. ან, მაშინ, როცა ზეთის ავზში არასაკმარისი ზეთია, LCD ეკრანი არ უჩვენებს ზეთის დაბალი დონის ინდიკატორს.	<ul style="list-style-type: none"> ■ ზეთის დონის დადგენის კომპონენტმა ჯერ ვერ გამოავლინა ზეთის ნამდვილი დონე ნარჩენი ზეთის ან ზეთის მიღში ჰაერის არსებობის გამო. ■ ზეთის დონის გამოვლენის კომპონენტმა ვერ იმუშავა. 	<ul style="list-style-type: none"> ■ დაალოდეთ რამდენიმე წუთი, რათა ნარჩენი ზეთი ან ჰაერი გავიდეს ზეთის მილიდან.

პრობლემა	მიზეზი	გადაჭრის გზა
<p>ჯაჭვური ხერხი არ ჭრის სათანადოდ.</p>	<ul style="list-style-type: none"> ■ არასაკმარისი ჯაჭვის დაჭიმულობა. ■ ბლაგვი ჯაჭვი. ■ ჯაჭვი უკულმა არის დაყენებული. ■ გაცვეთილი ჯაჭვი. ■ მშრალი ან ზედმეტად გაჭიმული ჯაჭვი. ■ ჯაჭვი არ არის ძელის სიღრუეში. 	<ul style="list-style-type: none"> ■ დაარეგულირეთ ჯაჭვის დაჭიმულობა, შემდეგი სექციის მიხედვით: "ჯაჭვის დაჭიმვის რეგულირება". ■ გალესეთ ჯაჭვი. ■ დაამონტაჟეთ ხერხის ჯაჭვი თავიდან, როგორც აღწერილია ნაწილში "ძელის და ჯაჭვის აწყობის/გამოცვლის წესი". ■ გამოცვალეთ ჯაჭვი, შემდეგი სექციის მიხედვით: "ძელის და ჯაჭვის აწყობა/გამოცვლა". ■ შეამოწმეთ ზეთის რაოდენობა. შეავსეთ ზეთის ავზი და, საჭიროების შემთხვევაში, აირჩიეთ ზეთის მიწოდების უფრო მაღალი მოცულობა. ■ ხელახლა დაამონტაჟეთ ჯაჭვი, შემდეგი სექციის მიხედვით: "ძელის და ჯაჭვის აწყობა/გამოცვლა".
<p>ჯაჭვი მოეშვა ან ვარდება მიმართველი ძლიდან სტანდარტული მოხმარებისას.</p>	<ul style="list-style-type: none"> ■ ჯაჭვი მოეშვება, როდესაც ხერხის ჩვეულებრივი მოხმარებისას ჯაჭვის ტემპერატურა მოიმატებს. ■ ჯაჭვი არ ატრიალებს მოძრავ კბილანას. 	<ul style="list-style-type: none"> ■ დაჭიმეთ ხერხის ჯაჭვი, როგორც აღწერილია ნაწილში "ჯაჭვის დაჭიმვის რეგულირება". ■ ხელახლა დაამონტაჟეთ ჯაჭვი, შემდეგი სექციის მიხედვით: "ძელის და ჯაჭვის აწყობა/გამოცვლა".
<p>ძელი და ხერხი ცხელდება და უშვებს კვამლს.</p>	<ul style="list-style-type: none"> ■ თუ ზეთის დაბალი დონის ინდიკატორი გამოჩნდება LCD ეკრანზე, ჯაჭვის ზეთის ავზი ცარიელია. ■ ძელის არხში უცხო სხეულებია. 	<ul style="list-style-type: none"> ■ შეამოწმეთ ზეთის რაოდენობა. შეავსეთ ზეთის ავზი საჭიროებისდა მიხედვით. ■ მოაცილეთ უცხო სხეულები ძელის სიღრუეს.
<p>ავზში ზეთის დაბალი დონის ინდიკატორი ჩნდება LCD ეკრანზე, მაშინაც კი, როცა იქ საკმარისი ოდენობის ზეთია. ან, მაშინ, როცა ზეთის ავზში არასაკმარისი ზეთია, LCD ეკრანი არ უჩვენებს ზეთის დაბალი დონის ინდიკატორს.</p>	<ul style="list-style-type: none"> ■ ზეთის დონის დადგენის კომპონენტმა ვერ ვერ გამოავლინა ზეთის ნამდვილი დონე ნარჩენი ზეთის ან ზეთის მიღში ჰაერის არსებობის გამო. ■ ზეთის დონის გამოვლენის კომპონენტმა ვერ იმუშავა. 	<ul style="list-style-type: none"> ■ დაალოდეთ რამდენიმე წუთი, რათა ნარჩენი ზეთი ან ჰაერი გავიდეს ზეთის მილიდან.

KA



გარანტია

ego-ს საგარანტიო პოლიტიკა

გთხოვთ, ეწვიოთ ვებ-გვერდს egopowerplus.eu, და გაეცნოთ EGO-ს საგარანტიო მომსახურების წესებს და პირობებს სრულად.

KA

306

56 ვოლტიანი ლითიუმ-იონის უსადენო ჯაჭვური ხერხი — CSX5000

PROČITAJTE SVA UPUTSTVA!



PROČITAJTE PRIRUČNIK ZA RUKOVAOCA

⚠ UPOZORENJE: Da bi se osigurala sigurnost i pouzdanost, sve popravke treba da radi kvalifikovani servisni tehničar.

⚠ UPOZORENJE: Obavezno pročitajte i shvatite vaša sigurnosna uputstva u ovom Priručniku za rukovaoca, obuhvatajući i sve simbole sigurnosnih upozorenja poput „OPASNOST“, „UPOZORENJE“ i „OPREZ“ pre korišćenja ovog alata. Nepridržavanje svih dolenađenih uputstava može da dovede do strujnog udara, požara i/ili ozbiljne telesne povrede.



Sigurnosno upozorenje



Nosite zaštitu za oči



Nosite zaštitu za glavu



Čuvajte se povratnog udara motorne testere i izbegavajte kontakt sa vrhom vodilice



Informacije o vodilici



Garantovani nivo zvučne snage. Emisija buke u okruženju u skladu sa Direktivom Evropske unije.



Ovaj proizvod je u skladu sa primenljivim Direktivama EU.



Bluetooth®

mm Milimetar

V Napon

IPX5 Zaštita od mlazova vode

SAČUVAJTE SVA UPOZORENJA I UPUTSTVA ZA BUDUĆU UPOTREBU.

SIGURNOSNI SIMBOLI

⚠ UPOZORENJE: Rukovanje svakim električnim alatom može da dovede do izbacivanja stranih predmeta ka očima, što može da dovede do ozbiljnog oštećenja očiju. Pre započinjanja rada sa električnim alatom, uvek stavite sigurnosne naočare sa bočnim štitičima ili po potrebi masku za celo lice. Preporučujemo nošenje bezbednosne maske proizvođača Wide Vision preko naočara ili nošenje standardnih zaštitnih naočara sa bočnim štitičima.



Da bi smanjio rizik od povreda, korisnik pre korišćenja ovog proizvoda mora pročitati i shvatiti priručnik za rukovaoca.



Nosite zaštitu za uši



Nosite zaštitne rukavice



Povratni udarac vrha vodilice



Uvek koristite motornu testeru sa dve ruke



Otpadni električni proizvodi ne smeju da se odlažu sa otpadom iz domaćinstva. Odnosite ih u ovlašćeni centar za reciklažu.



Ovaj proizvod je u skladu sa primenljivim zakonima UK.



Jednosmerna struja

n_0 Brzina bez opterećenja

./min U minuti

NAPOMENA: Bluetooth® reč i logotipi su registrovani zaštitni znaci u vlasništvu Bluetooth SIG, inc. i svaka upotreba takvih oznaka od strane EGO je pod licencom.

SR

SPECIFIKACIJE

Nazivna voltaža	56V	
Maks. Brzina lanca	30 m/s	
Korak lanca	8,255 mm / 0,325"	
Dubina lanca	1,3 mm	
Dužina vodilice	50 cm	
Model lanca testere	AC2035 (preporučeno)	
	AC1635, AC1835 (kompatibilno)	
Model lanca i vodilice testere	AK2035 (preporučeno)	
	AK1635, AK1835 (kompatibilno)	
Zapremina rezervoara za ulje	250 mL	
Težina (bez baterije, lanca testere, vodilice, bočnog poklopca, ulja i navlake za lanac)	4,3 kg	
Preporučena radna temperatura	Od -15 do +40°C	
Preporučena temperatura skladištenja	Od -20 do +70°C	
Preporučena temperatura punjenja	Od 5 do 40°C	
Izmereni nivo zvučne snage L_{WA}	102 dB(A)	
	K=2,3 dB(A)	
Nivo zvučnog pritiska na mestu rada L_{PA}	92 dB(A) K=3 dB(A)	
Garantovan nivo jačine zvuka L_{WA} (prema 2000/14/EC)	104 dB(A)	
Vibracije a_h	Prednja drška	3,3 m/s ² K=1,5 m/s ²
	Zadnja drška	1,74 m/s ² K=1,5 m/s ²

- Deklarisana ukupna vrednost vibracije je izmerena u skladu sa standardnim metodom testiranja i može se koristiti za upoređivanje jednog alata sa drugim;
- Deklarisana ukupna vrednost vibracije može se koristiti i u preliminarnoj proceni izlaganja.

SR

OBAVEŠTENJE: Emisija vibracija tokom stvarne upotrebe električnog alata može da se razlikuje od deklarisanе vrednosti u kojoj se alat koristi. Da bi se

rukavalac zaštitio, korisnik bi trebalo da nosi rukavice i štitnike za uši u stvarnim uslovima korišćenja.

POPIS PAKOVANJA (SLIKA A1)

OPIS

UPOZNAJTE SVOJU MOTORNU TESTERU (slika A1)

1. Lanac
2. Lopatica kočnice povratnog udarca lanca
3. Prednja drška
4. LCD ekran
5. Nivo brzine
6. Bluetooth ikonica
7. Ikonica prednjeg svetla
8. Ikonica kočnice
9. Indikator visoke temperature
10. Krug pokazivača goriva
11. Trenutni nivo opterećenja
12. Indikator niskog nivoa ulja
13. Dugme za prednje svetlo/Bluetooth
14. Dugme za ispuštanje ulja
15. Nivo izlaza ulja
16. Dugme za zaključavanje
17. Okidač
18. Zadnja drška
19. Menjač brzine lanca
20. Dugme za oslobađanje baterije
21. Prozor za inspekciju ulja
22. Kapica rezervoara za ulje
23. Vodilica
24. Rupica za podmazivanje
25. Zavrtanj za zatezanje lanca
26. Bočni poklopac
27. Matice za zaključavanje
28. Šiljci za sečenje na komade
29. LED prednje svetlo
30. Navlaka za lanac
31. Multi ključ

SASTAVLJANJE

SKLAPANJE/ZAMENJIVANJE VODILICE I LANCA

⚠ UPOZORENJE: Podesite ručicu kočnice povratnog udarca lanca u zakočeni položaj pre sklapanja.

1. Postavite pogonsku glavu motorne testere na bočnu stranu, sa bočnim poklopcem okrenutim nagore (slika B).
2. Skinite bočni poklopac tako što ćete okrenuti dve matice za zaključavanje suprotno kazaljki na satu.
3. Okrenite zavrtnj za zatezanje lanca suprotno kazaljki na satu da biste olabavili zategnutost lanca.
4. Položite lanac testere u petlju na ravnu površinu i izravnajte sve vijuge (slika C).
5. Stavite pogonske alke lanca u žleb na vodilici i napravite petlju od lanca na zadnjoj strani vodilice (slika D).
6. Držite lanac na njegovom mestu na vodilici i stavite petlju oko lančanika na testeri (slika E1).

B-1	Matice za zaključavanje	D-2	Žleb vodilice
B-2	Zavrtnj za zatezanje lanca	E-1	Pogonski lančanik
D-1	Pogonske alke lanca		

OBAVEŠTENJE: Kad pravite petlju lanca testere na vodilici, vodite računa da, nakon montiranja vodilice na testeru, uparite orijentaciju sekača sa ikonicom sekača i strelicom za smer rotacije na kućištu. Ako su okrenuti u suprotnim smerovima, ponovo sklopite lanac testere na vodilicu tako da sekači budu okrenuti u istom smeru (slika E2).

7. Vratite bočni poklopac na kućište motorne testere i potpuno zategnite obe matice za zaključavanje.
8. Okrenite lanac rukom da biste proverili da li je lanac pravilno sklopljen bez zaglavljivanja. U suprotnom, ponovo sklopite lanac i vodilicu.

OBAVEŠTENJE: Da biste produžili radni vek vodilice, povremeno je obrnite.

PODEŠAVANJE ZATEGNETOSTI LANCA

- Zaustavite motor i izvadite bateriju pre podešavanja zategnutosti lanca. Okrenite zavrtnj za zatezanje lanca u smeru kazaljke na satu ili suprotno kazaljki na satu da biste podesili zategnutost lanca (slika F) sve dok lanac ne bude tesno stajao uz vodilicu sa pogonskim alkama u žlebu vodilice.

- Hladan lanac je pravilno zategnut kad nema labavosti na donjem delu vodilice a lanac je tesan ali se može okrenuti rukom bez zapinjanja. Lanac se mora ponovo zategnuti kad god ravni delovi pogonskih alki ne stoje u žlebu vodilice.
- Tokom normalnog rukovanja testerom, temperatura lanca će se povećati. Pogonske alke pravilno zategnutog zagrejanog lanca će visiti približno 1,3 mm izvan žleba vodilice (slika G).

OBAVEŠTENJE: Novi lanci imaju tendenciju rastezanja; često proveravajte zategnutost lanca i zatežite ga po potrebi.

OBAVEŠTENJE: Lanac koji zatežete dok je zagrejan može da bude suviše zategnut kad se ohladi. Proverite hladnu zategnutost pre sledeće upotrebe.

RUKOVANJE

⚠ UPOZORENJE: Nemojte dozvoliti da vas poznavanje ovog proizvoda učini nemarnim. Imajte na umu da je za nanošenje teških povreda dovoljan samo delić sekunde nepažnje.

⚠ UPOZORENJE: Ne koristite nikakve dodatke ili pribor koje nije preporučio proizvođač ovog proizvoda. Upotreba dodataka ili pribora koji nisu preporučeni može da dovede do ozbiljne telesne povrede.

⚠ UPOZORENJE: Da biste sprečili nehotično pokretanje koje bi moglo izazvati ozbiljne telesne povrede, uvek uklonite bateriju iz alata kada sklapate delove, podešavate, čistite ili kad ga ne koristite.

Pre svake upotrebe pregledajte čitav proizvod radi oštećenih, nedostajućih ili labavih delova poput vijaka, navrtnja, zavrtnja, kapica itd. Čvrsto zategnite sve spojeve i kapice i ne rukujte ovih proizvodima dok svi nedostajući ili oštećeni delovi ne budu zamenjeni.

PRIMENE

Ovaj proizvod možete da koristite za osnovno obaranje stabala, sečenje grana, orezivanje i sečenje drveta.

OBAVEŠTENJE: Mašinu treba koristiti samo za propisanu svrhu. Svaka druga upotreba smatra se slučajem zloupotrebe.

SIPANJE MAZIVA ZA VODILICU I LANAC

⚠ UPOZORENJE: Nemojte pušiti ili približavati plamen ulju ili motornoj testeri. Ulje se može prosuti i izazvati požar.

OBAVEŠTENJE: U motornoj testeru nema ulja u vreme kupovine. Suštinski je važno napuniti rezervoar uljem pre upotrebe. Lanac se automatski podmazuje uljem tokom rada.

1. Postavite motornu testeru na stranu, sa kapicom rezervoara okrenutom nagore.
2. Očistite kapicu rezervoara za ulje i oblast oko nje da biste osigurali da nikakva prljavština ne upadne u rezervoar za ulje.
3. Podignite polukružnu ploču i okrenite kapicu rezervoara za ulje suprotno kazaljki na satu da biste je skinuli (slika H).
4. Pažljivo sipajte ulje za vodilicu i lanac u rezervoar. Napunite do donjeg dela grlića.
5. Obrisite eventualni višak ulja i vratite poklopac.

OBAVEŠTENJE: Često proveravajte nivo ulja i dopunite kad nivo ulja padne ispod linije minimuma. Nikad ne rukujte motorom testerom ako ulje nije vidljivo.

POSTAVLJANJE/SKIDANJE BATERIJE

NAPOMENA: Krug pokazivača goriva na LCD ekranu pokazuje nivo napunjenosti baterije (slika A1). Krug će bljeskati kad je punjenje baterije skoro potrošeno. Potpuno napunite bateriju pre prve upotrebe.

Upotrebljavajte samo baterije i punjače proizvođača EGO navedene na slici A2.

Baterije potpuno napunite pre prve upotrebe.

Postavljanje

Poravnajte rebra baterije sa prorezima za montiranje i pritisnite bateriju nadole dok ne čujete „škljoc“ (slika I).

Skidanje

Pritisnite dugme za oslobađanje baterije i izvucite bateriju (slika J).

POKRETANJE/ZAUSTAVLJANJE MOTORNE TESTERE

OBAVEŠTENJE: Pre pokretanja motorne testere, proverite nivo ulja, oštrinu zuba testere i pravilno funkcionisanje lopatice kočnice povratnog udarca. Osim toga, potrebno je i uravnoteženo uporište i pravilna udaljenost od tla.

SR

Za pokretanje (slika K)

1. Povucite lopaticu kočnice povratnog udarca lanca prema prednjoj drški, u radni položaj (slika K).
2. Čvrsto uhvatite prednju dršku levom rukom a zadnju

dršku desnom rukom.

⚠ UPOZORENJE: Da biste izbegli povrede, uvek koristite motornu testeru tako što ćete desnom rukom držati područje za hvatanje na zadnjoj drški (slika L).

3. Palcem desne ruke pritisnite i držite dugme za zaključavanje a zatim prstima desne ruke stisnite okidač da biste pokrenuli testeru (slika L).

L-1	Područje za hvatanje
-----	----------------------

4. Pustite dugme za zaključavanje i nastavite da pritiskate okidač za neprekidni rad.
5. Što je okidač pritisnut dalje, to je brzina lanca veća. Podesite brzinu tako da odgovara poslu koji obavljate.

⚠ UPOZORENJE: Ne pokušavajte da pokrenete testeru kad je lanac u rezu.

Za zaustavljanje

1. Odmaknite motornu testeru dalje od oblasti sečenja a zatim pustite okidač da biste zaustavili motornu testeru.
2. Gurnite lopaticu kočnice povratnog udarca lanca unapred u položaj kočenja da biste aktivirali kočnicu lanca (slika K).

⚠ UPOZORENJE: Uvek izvadite bateriju iz mašine tokom pauza u radu i posle završetka rada.

MENJANJE REŽIMA BRZINE (slika M)

Ova mašina ima tri režima brzine. Svaki režim brzine ograničava maksimalnu brzinu motorne testere. Režim brzine će se promeniti sa svakim pritiskom na menjač brzine lanca.

Nivo brzine na LCD ekranu će prikazivati aktivni režim brzine: jedna traka za malu brzinu, dve trake za srednju brzinu i tri trake za veliku brzinu. Režim male brzine (EKO) omogućava bolju kontrolu nad mašinom i duže vreme rada po punjenju.

M-1	Nivo brzine	M-7	Trenutni nivo opterećenja
M-2	Bluetooth ikonica	M-8	Dugme za prednje svetlo/Bluetooth
M-3	Ikonica prednjeg svetla	M-9	Dugme za ispuštanje ulja
M-4	Ikonica kočnice	M-10	Menjač brzine lanca
M-5	Indikator visoke temperature	M-11	Nivo izlaza ulja
M-6	Krug pokazivača goriva	M-12	Indikator niskog nivoa ulja

NAPOMENA: Kad koristite EGO bateriju označenu kao 4,0 Ah ili manje, dostupan je samo ECO režim. A korišćenje EGO baterije označene kao manje od 6,0 Ah vam neće omogućiti da ostvarite veliku brzinu. Za najbolje performanse izričito preporučujemo upotrebu EGO baterija koje su 6,0 Ah (npr. BA3360T) ili više.

NAPOMENA: Motorna testera ima funkciju memorije brzine lanca. Sledeći put kad se motorna testera uključuje, aktiviraće se prethodno korišćeni režim brzine.

NAPOMENA: LCD ekran se osvetljava kad se povuče okidač ili kad se pritisne dugme za ispuštanje ulja ili dugme za prednje svetlo/Bluetooth. LCD ekran se podrazumevano automatski isključuje nakon otprilike 1 sekunde neaktivnosti.

NAPOMENA: Pritisak na menjač brzine lanca neće uključiti LCD ekran.

NIVO OPTEREĆENJA (slika M)

Nivo opterećenja na desnoj strani LCD ekrana prikazuje trenutno opterećenje mašine. Veći broj traka označava veće opterećenje a manji broj traka označava manje opterećenje.

Ova funkcija je prvenstveno namenjena iskusnim korisnicima motornih testera na benzin koji možda nemaju „osećaj“ kako se testera na baterije ponaša pod različitim opterećenjima. Pomaže korisnicima da nadgledaju radno opterećenje kako bi se izbegao dugotrajni rad pod velikim opterećenjem, što može uzrokovati da se motorna testera

zaustavi tokom rada jer postaje prevruća.

INDIKATOR VISOKE TEMPERATURE (slika M)

Indikator visoke temperature se osvetljava kad temperatura mašine pređe 90°C ili kad temperatura baterije pređe 70°C tokom rada. Strujno kolo zaštite od temperature odmah će isključiti mašinu da bi sprečilo oštećenje od pregrevanja. Pustite okidač i sačekajte da se pregrejana mašina ili baterija ohladi i indikator visoke temperature isključi a zatim ponovo pokrenite mašinu.

IKONICA KOČNICE (slika M)

Ikonica kočnice se pojavljuje na LCD ekranu kad je lopatica kočnice u položaju kočenja.

Ikonica kočnice će bljeskati kad višesmerni sistem kočnica lanca zaustavi testeru. Pogledajte sledeće poglavlje za detaljne informacije.

VIŠESMERNI SISTEM KOČNICA LANCA (slika N1 i slika N2)

Višesmerni sistem kočnica lanca nije predviđen da bude zamena standardnoj/tradicionalnoj kočnici lanca. Korisnik nikad ne bi trebalo da se oslanja na ovu funkciju tokom rukovanja motornom testerom za zaštitu od povratnog udara. Uvek pratite sigurnosna uputstva povezana sa ublažavanjem povratnog udara koja se nalaze u odeljku upozorenja u ovom priručniku.

Kad se višesmerni sistem kočnica lanca aktivira i zaustavi testeru, ikonica kočnice će bljeskati na LCD ekranu (slika M). Pustite okidač, izvadite lanac i vodilicu testere iz drveta, a zatim ponovo pokrenite motornu testeru.

NAPOMENA: Senzori će detektovati samo iznenadno kretanje testere u ravni vodilice (slika N1). Senzori neće detektovati nikakvo iznenadno kretanje testere u stranu (slika N2) (tj. upravno na ravan vodilice).

NIVO IZLAZA ULJA I INDIKATOR NISKOG NIVOA ULJA (slika M)

Mašina automatski podmazuje lanac. Ova motorna testera omogućava vam da promenite brzinu izlaza ulja svakim pritiskom dugmeta za ispuštanje ulja.

NAPOMENA: Brzina izlaza ulja može se menjati samo kad lanac testere nije u pokretu.

Nivo izlaza ulja na LCD ekranu prikazaće brzinu izlaza ulja. Jedna traka za malu brzinu izlaza, dve trake za srednju brzinu izlaza i tri trake za veliku brzinu izlaza.

Izaberite veću brzinu izlaza za veću brzinu lanca. Ako se lanac testere osuši tokom rada, zaustavite motor i izaberite veću brzinu izlaza ulja.

Kad je nivo ulja nizak, indikator niskog nivoa ulja će se pojaviti na LCD ekranu iznad traka izlaza ulja i biće dostupna samo mala brzina izlaza. Zaustavite motornu testeru i napunite rezervoar za ulje prateći poglavlje **PUNJENJE REZERVOARA ZA ULJE MAZIVOM ZA VODILICU I LANAC**.

Nakon punjenja rezervoara za ulje, pustite motornu testeru da radi oko 10 sekundi da biste omogućili automatskom sistemu podmazivanja da počne da radi i indikator će nestati sa LCD ekrana.

OPAVEŠTENJE: Ako se indikator i dalje nalazi na LCD ekranu nakon izvođenja gornjih koraka, sistem je možda oštećen. Prestanite da koristite motornu testeru i obratite se EGO ovlašćenom servisnom centru radi popravke.

LED PREDNJE SVETLO (slika O)

LED prednje svetlo se nalazi na prednjoj strani kućišta motorne testere. Prednje svetlo pruža osvetljenje radi veće vidljivosti i ima 2 nivoa osvetljenosti.

Da biste uključili prednje svetlo, pritisnite dugme za prednje svetlo/Bluetooth (slika M) jednom. Prednje svetlo će se uključiti na nižem nivou osvetljenosti a ikonica za manju osvetljenost prednjeg svetla će se pojaviti na LCD ekranu. Pritisnite dugme za prednje svetlo/Bluetooth ponovo da biste prešli na veći nivo osvetljenosti i ikonica za veću osvetljenost prednjeg svetla će se pojaviti na LCD ekranu.

Da biste isključili prednje svetlo, pritisnite dugme za prednje svetlo/Bluetooth po treći put i ikonica za prednje svetlo će nestati sa LCD ekrana.

0-1	Ikonica za manju osvetljenost prednjeg svetla	0-3	LED prednje svetlo
0-2	Ikonica za veću osvetljenost prednjeg svetla		

KOMUNIKACIONA TEHNOLOGIJA

Za informacije o celoj paleti naših povezanih uređaja i usluga, obuhvatajući i uputstva za povezivanje, skenirajte QR kod ispod ili posetite www.egopowerplus.eu/connect.



PRAVILAN HVAT NA DRŠKAMA (slika P1)

- Nosite rukavice koje se ne klizu zbog maksimalnog hvata i zaštite.
- Dok je testera na čvrstoj, ravnoj površini, uhvatite je čvrsto sa obe ruke.
- Uvek hvatajte prednju dršku levom rukom a zadnju dršku desnom rukom.
- Prsti treba da obuhvate dršku a palac da se savije ispod prednje drške.

UPOZORENJE: Nikad ne koristite levoruki (ukršteni) hvat ili bilo koji stav koji bi postavio vaše telo ili ruku preko linije lanca.

UPOZORENJE: Ne rukujte okidačem pomoću leve ruke dok desnom rukom držite prednju dršku. Nikad ne dozvolite da vam bilo koji deo tela bude u liniji lanca dok rukujete motornom testerom (slika P2).

PRAVILAN STAV ZA SEČENJE (SI. Q)

- Oba stopala treba da budu na čvrstom tlu, sa težinom ravnomerno raspoređenom na oba stopala.
- Leva ruka treba da bude ispružena a levi lakat ukočen. To pomaže da se oduprete silama koje stvara povratni udarac.
- Vaše telo uvek treba da bude sa leve strane linije lanca.

UPUTSTVA ZA PRAVILNU TEHNIKU OSNOVNOG OBARANJA STABALA, UKLANJANJA GRANA I POPREČNOG SEČENJA DRVETA

UPOZORENJE: Uvek imajte sigurno uporište i čvrsto držite motornu testeru sa obe ruke dok motor radi.

UPOZORENJE: Kad se lanac zaustavi zbog ukleštenja tokom sečenja, pustite okidač, izvadite lanac i vodilicu iz drveta, a zatim ponovo pokrenite motornu testeru.

UPOZORENJE: Ne vucite lanac rukom kad se zaglavi zbog piljevine. Može doći do ozbiljnih povreda ako se motorna testera nehотиčno pokrene. Pritisnite lanac na drvo i pomerajte motornu testeru unapred i unazad da biste uklonili prljavštinu. Uvek izvadite bateriju pre čišćenja.

Nosite debele zaštitne rukavice kad rukujete lancem.

⚠ UPOZORENJE: Nikad ne pokrećite testeru kad je u kontaktu sa drvom. Uvek pustite da motorna testera dosegne punu brzinu pre no što je prinesete drvetu.

OBARANJE DRVETA

- Kada operacije sečenja na komade i obaranja drveta rade dve ili više osoba u isto vreme, operaciju obaranja treba odvojiti od operacije sečenja na udaljenost od najmanje dvostruke visine drveta koje se obara. Drveće ne bi trebalo obarati na način koji bi ugrozio neku osobu, udario električni vod ili izazvao oštećenje imovine. Ako drvo ipak dodirne električni vod, odmah treba obavestiti elektrodistribuciju.
- Rukovalac motornom testerom treba da stoji na višoj strani tla jer će se drvo verovatno otkotrljati ili skliznuti nizbrdo nakon što bude oboreno.
- Put za izbegavanje pada drveta treba isplanirati i po potrebi raščistiti, pre no što započne sečenje. Put za izbegavanje pada drveta treba da se pruža unazad i dijagonalno, na suprotnoj strani drveta od očekivane linije pada, kako je prikazano na slici R.

R-1	Smer obaranja
R-2	Put za povlačenje u sigurnost

- Pre no što započnete obaranje, uzmite u obzir prirodni nagib drveta, lokaciju većih grana i smer vetra da biste prosudili na koju stranu će drvo pasti.
- Uklonite zemlju, kamenje, labavu koru, eksere, staplere i žice sa drveta.

Pravljenje donjeg ureza

Napravite urez od 1/3 prečnika drveta, upravno na smer pada, kako je prikazano na slici S. Prvo napravite donji horizontalni rez. To će vam pomoći da izbegnete ukleštenje lanca ili vodilice kad budete pravili drugi rez.

S-1	Smer pada	S-3	Zadnji urez
S-2	Urez	S-4	Zglob

Zadnji urez

- Napravite zadnji urez najmanje 50 mm iznad horizontalnog donjeg ureza, kako je prikazano na slici S. Držite zadnji urez paralelnim sa horizontalnim donjim urezom. Napravite zadnji urez tako da ostane dovoljno drveta koje će se ponašati kao zglob. Zglob sprečava uvrtnje drveta i padanje u pogrešnom smeru. Ne secite kroz zglob.

- Kako se sečenje približava zglobu, drvo bi trebalo da počne da pada. Ako postoji ikakva šansa da drvo neće pasti u željenom smeru ili da će se zaljuljati unazad i pritisnuti lanac testere, prekinite sečenje pre nego što pravljenje zadnjeg ureza bude završeno i koristite klinove od drveta, plastike ili aluminijuma za otvaranje reza i obaranje drveta u željenoj liniji pada.
- Kad drvo počne da pada, izvadite motornu testeru iz reza, zaustavite motor, spustite motornu testeru na tlo, a zatim krenite planiranim putem za povlačenje. Pazite na grane koje padaju odgore i gledajte gde stajete.

Sečenje grana

Sečenje grana je uklanjanje grana sa oborenog drveta. Kad sečete grane, ostavite veće donje grane da podupiru stablo iznad zemlje. Uklanjajte male grane jednim rezom, kako je prikazano na slici T. Grane pod tenzijom treba seći odole nagore da bi se izbeglo zaglavljivanje motorne testere.

Sečenje stabla na komade

Sečenje na komade je sečenje oborenog stabla na manje komade. Važno je da vodite računa da vam uporište bude čvrsto i da vam težina bude ravnomerno raspoređena na obe noge. Kad god je to moguće, stablo treba podići i podupreti pomoću grana, panjeva ili klinova. Pratite ova jednostavna uputstva za lako sečenje.

Kad je stablo poduprto celom dužinom, kako je prikazano na slici U1, seče se odgore.

Kad je stablo poduprto na jednom kraju, kako je prikazano na slici U2, secite 1/3 prečnika od donje strane. Zatim napravite završni rez sečenjem odgore dok ne dođete do prvog reza.

Kad je stablo poduprto na oba kraja, kako je prikazano na slici U3, secite 1/3 prečnika od gornje strane. Zatim napravite završni rez sečenjem odole donje 2/3 dok ne dođete do prvog reza.

Kad sečete na nagibu, uvek stojte uzbrdo od stabla, kako je prikazano na slici V.

Kad „prosecate“, da biste zadržali potpunu kontrolu, smanjite pritisak sečenja pred kraj reza bez opuštanja hvata na drškama motore testere. Ne dozvolite da lanac dođe u kontakt sa tlom. Nakon završavanja reza, sačekajte da se lanac zaustavi pre no što preместите motornu testeru. Uvek zaustavite motor pre prelaska sa jednog drveta na drugo.

ODRŽAVANJE

⚠ UPOZORENJE: Kada obavljate radove servisiranja, upotrebljavajte samo identične zamenske delove. Upotreba

bilo kakvih drugih delova može da dovede do opasnosti ili da izazove oštećenje proizvoda. Da bi se osigurala sigurnost i pouzdanost, sve popravke treba da radi kvalifikovani servisni tehničar.

⚠ UPOZORENJE: Da biste izbegli ozbiljne telesne povrede, uvek izvadite bateriju iz proizvoda pre pregledanja, čišćenja ili održavanja. Alat na baterije u koji je stavljena baterija je uvek uključen i može nehotično da se pokrene.

⚠ UPOZORENJE: Kad čistite motornu testeru, NE potapajte je u vodu ili druge tečnosti.

⚠ UPOZORENJE: Nemojte ni u kom trenutku dozvoliti da kočiona tečnost, benzin, proizvodi na bazi benzina, penetraciono ulje itd. dođu u kontakt sa plastičnim delovima. Hemikalije mogu da oštete, oslabe ili unište plastiku, što može da dovede do ozbiljne telesne povrede.

ČIŠĆENJE

- Nakon svake upotrebe, očistite prjāvštinu sa lanca i vodilice pomoću meke četke. Obrisite površinu motorne testere čistom krpom navlaženom rastvorom blagog sapuna.
- Skinite bočni poklopac a zatim mekom četkom uklonite prjāvštinu sa vodilice, lanca, lančanika i bočnog poklopca.
- Uklonite donji poklopac otprilike svakih 8 sati rada, a zatim mekom četkom uklonite prjāvštinu unutar mašine i na poklopcu (slika W).
- Uvek očistite iverje, piljevinu i zemlju iz žleba vodilice kad zamenjujete lanac.

ODRŽAVANJE VODILICE

Kad vodilica pokaže znake habanja, rasklopite je sa pogonske glave motorne testere i obrnite je radi ponovnog sklapanja (slika X1). Na taj način će habanje biti raspoređeno da bi se povećao radni vek vodilice.

Vodilicu treba čistiti svakog dana upotrebe i proveravati da li je pohabana i oštećena (slika X2). Krivljenje ili deformisanje šina vodilice je normalan proces habanja vodilice. Takve nedostatke treba izravntati turpijom čim se pojave. Vodilicu sa bilo kojim od sledećih nedostataka treba zameniti.

- Habanje unutar šina vodilice koje omogućava lancu da leži bočno.
- Savijena vodilica.
- Napukle ili polomljene šine.
- Raširene šine.

SR

Pored toga, vodilica ima lančanik na vrhu (slika X3).

Lančanik se mora svake nedelje podmazivati špricom za mazivo da bi se produžio radni vek vodilice. Koristite špic za mazivo da biste svake nedelje uljem za lanac podmazali kroz rupicu za podmazivanje (slika W4). Okrenite vodilicu i proverite da li u rupicama za podmazivanje i žlebu lanca ima nečistoća.

X-1	Šine vodilice	X-3	Rupica za podmazivanje
X-2	Lančanik u vrhu vodilice		

OBAVEŠTENJE: Koristite EGO odobrena maziva za najbolje rezultate.

TRANSPORTOVANJE I SKLADIŠTENJE

Ne skladištite ili transportujte motornu testeru dok radi. Uvek izvadite bateriju pre skladištenja ili transportovanja.

Uvek stavite navlaku za vodilicu na vodilicu i lanac pre skladištenja ili transportovanja motorne testere. Budite oprezni da biste izbegli oštre zube lanca.

Temeljno očistite motornu testeru pre no što je uskladištite. Skladištite motornu testeru u zatvorenom prostoru, na suvom mestu koje je zaključano i/ili nije dostupno deci.

Držite dalje od korozivnih sredstava poput baštenskih hemikalija i soli za odmrzavanje.

ZAŠTITA ŽIVOTNE SREDINE



Ne odlažite električnu opremu, potrošene baterije i punjače u kućni otpad!

Odnosite ovaj proizvod u ovlašćeni pogon za reciklažu ili ga odvojite od ostalog smeća radi zasebnog prikupljanja. Električni alati moraju se odneti u ekološki prihvatljiv pogon za reciklažu.

REŠAVANJE PROBLEMA

⚠ UPOZORENJE: Uvek zaštitite ruke tako što ćete nositi debele rukavice kad radite bilo kakvo održavanje na lancu. Uvek izvadite bateriju kad servisirate ili transportujete motornu testeru.

PROBLEM	UZROK	REŠENJE
Motor se ne pokreće.	<ul style="list-style-type: none"> ■ Baterija nije spojena na motornu testeru. ■ Nema električnog kontakta između testere i baterije. ■ Ako krug pokazivača goriva na LCD ekranu bljeska, baterija je ispražnjena. ■ Ako se indikator visoke temperature pojavi na LCD ekranu, baterija ili motorna testera su prevruće. ■ Ako se ikonica kočnice lanca pojavi na LCD ekranu, aktivirana je kočnica lanca. ■ Prljavština u žlebu vodilice. ■ Prljavština u bočnom poklopcu. 	<ul style="list-style-type: none"> ■ Spojite bateriju na motornu testeru. ■ Izvadite bateriju, proverite kontakte i ponovo instalirajte bateriju. ■ Napunite bateriju. ■ Ostavite bateriju ili motornu testeru da se hlade dok temperatura ne padne ispod 67°C. ■ Povucite lopaticu kočnice povratnog udarca lanca unazad prema prednjoj drški da bi došla u radni položaj. ■ Pritisnite lanac na drvo i pomerajte motornu testeru unapred i unazad da biste uklonili prljavštinu. ■ Izvadite bateriju a zatim skinite bočni poklopac i očistite prljavštinu.
Režim brzine se ne može promeniti.	<ul style="list-style-type: none"> ■ Menjač brzine lanca je zaglavljen zbog prljavštine. 	<ul style="list-style-type: none"> ■ Očistite prljavštinu oko menjača brzine lanca.
Motorna testera neočekivano prestaje da radi tokom rukovanja.	<ul style="list-style-type: none"> ■ Motorna testera je preopterećena. ■ Ako se indikator visoke temperature pojavi na LCD ekranu, baterija ili motorna testera su prevruće. ■ Lanac testere je zaglavljen u drvetu. ■ Ako ikonica kočnice lanca bljeska na LCD ekranu, testeru je zaustavio višesmerni sistem kočnica lanca. 	<ul style="list-style-type: none"> ■ Smanjite opterećenje. ■ Ostavite bateriju ili motornu testeru da se hlade dok temperatura ne padne ispod 67°C. ■ Pustite okidač, izvadite lanac i vodilicu iz drveta, a zatim ponovo pokrenite motornu testeru. ■ Pustite okidač, izvadite lanac i vodilicu iz drveta, a zatim ponovo pokrenite motornu testeru.
Motor radi ali lanac se ne okreće.	<ul style="list-style-type: none"> ■ Lanac ne dodiruje pogonski lančanik. 	<ul style="list-style-type: none"> ■ Ponovo instalirajte lanac, vodeći računa da pogonske alke na lancu budu potpuno postavljene na lančanik.
Kočnica lanca se ne aktivira.	<ul style="list-style-type: none"> ■ Prljavština sprečava potpuno kretanje lopatice kočnice povratnog udarca lanca ■ Moguć kvar kočnice lanca. 	<ul style="list-style-type: none"> ■ Očistite prljavštinu sa spoljašnjeg mehanizma kočnice lanca. ■ Obratite se EGO korisničkoj službi za popravku.

PROBLEM	UZROK	REŠENJE
<p>Motorna testera ne seče pravilno.</p>	<ul style="list-style-type: none"> ■ Nedovoljna zategnutost lanca. ■ Tup lanac. ■ Lanac instaliran unazad. ■ Pohaban lanac. ■ Suv ili prekomerno rastegnuto lanac. ■ Lanac nije u žlebu vodilice. 	<ul style="list-style-type: none"> ■ Ponovo podesite zategnutost lanca, prateći odeljak: „PODEŠAVANJE ZATEGNUTOSTI LANCA“. ■ Naoštrite lanac. ■ Ponovo instalirajte lanac testere, prateći odeljak „SKLAPANJE/ZAMENJIVANJE VODILICE I LANCA“. ■ Zamenite lanac, prateći odeljak: „SKLAPANJE/ZAMENJIVANJE VODILICE I LANCA“. ■ Proverite nivo ulja. Dopunite rezervoar za ulje i izaberite veću zapreminu isporuke ulja ako je neophodno. ■ Ponovo instalirajte lanac, prateći odeljak: „SKLAPANJE/ZAMENJIVANJE VODILICE I LANCA“.
<p>Lanac se olabavljuje ili spada sa vodilice tokom normalne upotrebe.</p>	<ul style="list-style-type: none"> ■ Lanac će se olabaviti kako se temperatura lanca povećava tokom normalnog rukovanja testerom. ■ Lanac ne dodiruje pogonski lančanik. 	<ul style="list-style-type: none"> ■ Povećajte zategnutost lanca prateći odeljak „PODEŠAVANJE ZATEGNUTOSTI LANCA“. ■ Ponovo instalirajte lanac, prateći odeljak: „SKLAPANJE/ZAMENJIVANJE VODILICE I LANCA“.
<p>Vodilica i lanac se zagrevaju i dime.</p>	<ul style="list-style-type: none"> ■ Ako se indikator niskog nivoa ulja pojavi na LCD ekranu, rezervoar ulja za lanac je prazan. 	<ul style="list-style-type: none"> ■ Proverite nivo ulja. Dopunite rezervoar za ulje ako je neophodno.
	<ul style="list-style-type: none"> ■ Prljavština u žlebu vodilice. 	<ul style="list-style-type: none"> ■ Očistite prljavštinu iz žleba.
<p>Indikator niskog nivoa ulja se pojavljuje na LCD ekranu iako ima dovoljno ulja u rezervoaru za ulje. Ili čak i ako u rezervoaru za ulje nema dovoljno ulja, LCD ekran ne prikazuje indikator niskog nivoa ulja.</p>	<ul style="list-style-type: none"> ■ Komponenta za detekciju nivoa ulja nije još detektovala stvarni nivo ulja zbog zaostalog ulja ili vazduha u cevi za ulje. ■ Kvar komponente za detekciju nivoa ulja. 	<ul style="list-style-type: none"> ■ Sačekajte nekoliko minuta da eventualno zaostalo ulje ili vazduh izađu iz cevi za ulje.

GARANCIJA

EGO POLITIKA GARANCIJE

Posećite veb-lokaciju egopowerplus.eu za potpune uslove i odredbe EGO politike garancije.

PROČITAJTE UPUTSTVO U CIJELOSTI!



PROČITAJTE KORISNIČKI PRIRUČNIK.

⚠ UPOZORENJE! Radi osiguranja sigurnosti i pouzdanosti, sve popravke treba obavljati kvalifikovani servisni tehničar.

⚠ UPOZORENJE! Prije upotrebe ovog alata pobrinite se da sva sigurnosna uputstva u ovom korisničkom priručniku, uključujući sve sigurnosne simbole kao što su "OPASNOST", "UPOZORENJE" i "OPREZ" pročitate s razumijevanjem. Zanemarivanje svih uputstava navedenih u nastavku može rezultirati strujnim udarom, požarom i/ili



Simbol upozorenja.



Nosite zaštitu za oči.



Nosite zaštitu za glavu



Pazite na povratni udar lančane pile i izbjegavajte kontakt s vrhom vodilice.



Informacije o vodilici



Zagarantovani nivo zvučne snage. Emisija buke u okruženju u skladu je s Direktivom Evropske unije.



Ovaj proizvod je u skladu s primjenjivim direktivama EU.



Bluetooth®

mm Milimetar

V Napon

IPX5 Zaštita od vodenih mlazova

teškim tjelesnim povredama.

SAČUVAJTE SVA UPOZORENJA I UPUTSTVA ZA BUDUĆE POTREBE.

SIGURNOSNI SIMBOLI

⚠ UPOZORENJE! Rukovanje električnim alatima može rezultirati odbacivanjem stranih predmeta u oči, što opet može izazvati teška oštećenja očiju. Prije početka rukovanja električnim alatom, uvijek nosite zatvorene zaštitne naočale ili zaštitne naočale s bočnim štitnicima, a prema potrebi i štitnik za cijelo lice. Preporučujemo nošenje sigurnosne maske proizvođača Wide Vision preko naočala ili nošenje standardnih zaštitnih naočala s bočnim štitnicima.



Radi smanjenja opasnosti od povreda, prije upotrebe ovog proizvoda korisnik treba s razumijevanjem pročitati ovaj korisnički priručnik.



Nosite zaštitu za sluh.



Nosite zaštitne rukavice.



Povratni udar na vrhu vodilice



Lančanu pilu uvijek upotrebljavajte s dvjema rukama.



Otpadni električni proizvodi ne smiju se odlagati s otpadom iz domaćinstva. Odnosite ih u ovlaštenu centar za reciklažu.



Ovaj proizvod je u skladu s važećim zakonodavstvom Velike Britanije.



Istosmjerna struja

n_v Brzina vrtnje bez opterećenja

./min U minuti

NAPOMENA! Riječ i logotipi Bluetooth® su registrovani zaštitni znakovi u vlasništvu kompanije Bluetooth SIG, inc. i kao takve ih upotrebljava kompanija EGO pod licencom.

BS

TEHNIČKI PODACI

Nazivni napon	56V	
Maks. brzina lanca	30 m/s	
Korak lanca	8.255 mm / 0,325"	
Veličina karike lanca	1,3 mm	
Dužina vodilice	50 cm	
Model lanca pile	AC2035 (preporučeno)	
	AC1635, AC1835 (kompatibilno)	
Model lanca pile i vodilice	AK2035 (preporučeno)	
	AK1635, AK1835 (kompatibilno)	
Zapremina spremnika ulja za lanac	250 ml	
Masa (bez kompleta baterija, lanca pile, vodilice, bočnog poklopca, ulja i zaštitne navlake za lanac)	4,3 kg	
Preporučena radna temperatura	-15°C – 40°C	
Preporučena temperatura skladištenja	-20°C – 70°C	
Preporučena temperatura punjenja	5°C – 40°C	
Izmjereni nivo zvučne snage L_{WA}	102 dB(A) K=2.3 dB(A)	
Nivo zvučnog pritiska u radnom položaju L_{PA}	92 dB(A) K=3 dB(A)	
Zagarantovani nivo zvučne snage L_{WA} (u skladu s Direktivom 2000/14/EZ)	104 dB(A)	
Vibracije a_h	Prednji rukohvat	3.3 m/s ² K=1.5 m/s ²
	Stražnji rukohvat	1.74 m/s ² K=1.5 m/s ²

- Deklarisane ukupne vrijednosti vibracija izmjerene su u skladu sa standardnom metodom ispitivanja i mogu se primjenjivati za poređenje jednog alata s drugim.
- Deklarisane ukupne vrijednosti vibracija mogu se primjenjivati i u preliminarnoj procjeni izloženosti.

NAPOMENA! Emisija vibracija tokom aktualne upotrebe električnog alata može se razlikovati od deklarisanе

vrijednosti u kojoj se alat upotrebljavao; korisnik radi zaštite treba nositi rukavice i štitnike za uši u aktualnim uslovima upotrebe.

SADRŽAJ PAKOVANJA (SL. A1)

OPIS

UPOZNAJTE SVOJU LANČANU PILU (sl. A1)

1. Lanac pile
2. Ručica kočnice lanca za povratni udar
3. Prednji rukohvat
4. LCD ekran
5. Nivo brzine
6. Ikona Bluetooth
7. Ikona prednjeg svjetla
8. Ikona kočnice
9. Indikator visoke temperature
10. Kružni mjerač goriva
11. Nivo trenutnog opterećenja
12. Indikator niskog nivoa ulja
13. Dugme za prednje svjetlo/Bluetooth
14. Dugme za dovod ulja
15. Nivo protoka ulja
16. Dugme za deblokadu
17. Okidni prekidač
18. Stražnji rukohvat
19. Mjenjač brzine lanca
20. Dugme za oslobađanje baterije
21. Kontrolno okno za ulje
22. Čep spremnika ulja
23. Vodilica
24. Otvor za podmazivanje
25. Matični vijak za zatezanje lanca
26. Bočni poklopac
27. Sigurnosne matice
28. Odstojnici
29. Prednje LED svjetlo
30. Zaštitna navlake za lanac
31. Višefunkcijski ključ

SASTAVLJANJE

POSTAVLJANJE/ZAMJENA VODILICE I LANCA

⚠ UPOZORENJE! Prije sastavljanja namjestite ručicu kočnice lanca za povratni udar u položaj kočenja.

1. Pozicionirajte pogonsku glavu lančane pile na njezinoj strani s bočnim poklopcem okrenutim prema gore (sl. B).
2. Okrenite dvije sigurnosne matice u smjeru suprotnom smjeru kretanja kazaljki na satu i uklonite bočni poklopac.
3. Okrenite matični vijak za zatezanje lanca u smjeru suprotnom smjeru kretanja kazaljki na satu da otpustite zategnutost lanca.
4. Položite lanac pile u omči na ravnu površinu i ispravite eventualne pregibe (sl. C).
5. Stavite pogonske karike lanca u žlijeb vodilice tako da se na stražnjoj strani vodilice napravi omča (sl. D).
6. Držite lanac u položaju na vodilici i stavite omču oko lančanika pile (sl. E1).

B-1	Sigurnosne matice	D-2	Žlijeb vodilice
B-2	Matični vijak za zatezanje lanca	E-1	Pogonski lančanik
D-1	Pogonske karike lanca		

NAPOMENA! Kada postavljate lanac pile na vodilicu, vodite računa da se nakon postavljanja vodilice na pilu smjer rezača podudara s ikonom rezača i strelicom smjera rotacije na kućištu. Ako su usmjereni u suprotnim smjerovima, ponovo postavite lanac pile na vodilicu tako da rezači budu usmjereni u istom smjeru (sl. E2).

7. Ponovo stavite bočni poklopac na kućište lančane pile i potpuno pritegnite obje sigurnosne matice.
8. Okrenite lanac rukom da provjerite je li pravilno postavljen bez zastoja. U suprotnom ponovo postavite lanac i vodilicu.

NAPOMENA! Vodilicu povremeno okrenite radi produženja njenog radnog vijeka.

PODEŠAVANJE ZATEGNUTOSTI LANCA

- Prije podešavanja zategnutosti lanca zaustavite motor i izvadite komplet baterija. Okrenite matični vijak za zatezanje lanca u smjeru kretanja kazaljki na satu ili u smjeru suprotnom smjeru kretanja

kazaljki na satu da podesite zategnutost lanca (sl. F) tako da lanac čvrsto nalegne uz vodilicu s pogonskim karikama u žlijebu vodilice.

- Hladan lanac je ispravno zategnut kada nema progiba na donjoj strani vodilice i kada lanac naliježe uz mogućnost ručnog okretanja bez zastoja. Lanac je potrebno ponovno zategnuti kada zaravnjene površine na pogonskim karikama ne uliježu u žlijeb vodilice.
- Temperatura lanca povisuje se tokom normalnog rada pile. Pogonske karike ispravno zategnutog toplog lanca visit će oko 1,3 mm iz žlijeba vodilice (sl. G).

NAPOMENA! Novi lanci imaju tendenciju rastezanja. Često provjeravajte zategnutost lanca i prema potrebi ga zategnite.

NAPOMENA! Lanac zategnut u toplom stanju može biti previše zategnut nakon hlađenja. Prije sljedeće upotrebe povjerite zategnutost hladnog lanca.

RAD

⚠ UPOZORENJE! Nemojte dozvoliti da vas poznavanje ovog proizvoda učini nepažljivim. Imajte na umu da je za nanošenje teških povreda dovoljan samo djelić sekunde nepažnje.

⚠ UPOZORENJE! Nemojte upotrebljavati priključke ili pribor koje nije preporučio proizvođač ovog proizvoda. Upotreba nepreporučenih priključaka ili pribora može rezultirati teškim tjelesnim povredama.

⚠ UPOZORENJE! Radi sprečavanja iznenadnog pokretanja koje može uzrokovati teške tjelesne povrede, uvijek izvadite komplet baterija iz alata kada postavljate dijelove, obavljate radove podešavanja, čišćenja ili kada ne upotrebljavate alat.

Prije svake upotrebe pregledajte cijeli proizvod i provjerite ima li oštećenih dijelova, dijelova koji nedostaju ili otpuštenih dijelova, kao što su vijci, matice, osovinice, kapice, itd. Čvrsto pritegnite sve pričvrstne elemente i kapice i nemojte upotrebljavati ovaj proizvod dok se ne zamijene svi dijelovi koji nedostaju ili koji su oštećeni.

PRIMJENE

Ovaj proizvod možete upotrebljavati za osnovno obaranje stabala, orezivanje grana, obrezivanje i sječu rezane građe i drveća.

NAPOMENA! Mašina se smije upotrebljavati samo za prethodno opisane namjene. Svaka druga upotreba smatra se nepropisnom upotrebom.

DOPUNA MAZIVA ZA VODILICU I LANAC

⚠ UPOZORENJE! Nemojte pušiti ili upotrebljavati vatru ili plamen u blizini ulja ili lančane pile. Ulje može iscuriti i izazvati požar.

NAPOMENA! Lančana pila nije napunjena uljem u vrijeme kupovine. Prije upotrebe važno je da se spremnik napuni uljem. Tokom rada lanac se automatski podmazuje uljem za lanac.

1. Postavite lančanu pilu na bočnu stranu tako da čep spremnika bude okrenut prema gore.
2. Očistite čep spremnika ulja i okolno područje kako biste osigurali da u spremnik ulja ne upada nečistoća.
3. Podignite polukružnu ploču i čep spremnika ulja okrenite u smjeru suprotnom smjeru kretanja kazaljki na satu da ga uklonite (sl. H).
4. Pažljivo napunite spremnik uljem za vodilicu i lanac. Spremnik napunite do donje strane otvora za punjenje
5. Obrišite višak ulja i ponovo stavite čep.

NAPOMENA! Često provjeravajte nivo ulja i dopunite ulje kada nivo ulja padne ispod oznake minimalnog nivoa. Nemojte nikada upotrebljavati lančanu pilu ako ulje nije vidljivo.

POSTAVLJANJE/SKIDANJE KOMPLETA BATERIJA

NAPOMENA! Krug indikatora napajanja na LCD zaslonu prikazuje nivo napunjenosti baterije (sl. A1). Krug treperi kada je baterija skoro prazna. Komplet baterija potpuno napunite prije prve upotrebe.

Proizvod upotrebljavajte samo s EGO kompletima baterija i punjačima koji su navedeni na sl. A2.

Komplet baterija potpuno napunite prije prve upotrebe.

Postavljanje

Poravnajte kontakte baterije s montažnim utorima i pritisnite komplet baterija prema dolje dok ne začujete zvuk klikanja (sl. I).

Skidanje

Pritisnite dugme za oslobađanje baterije i izvucite komplet baterija (sl. J).

POKRETANJE/ZAUSTAVLJANJE LANČANE PILE

NAPOMENA! Prije pokretanja lančane pile provjerite nivo ulja, oštrinu zuba pile i propisnu funkciju ručice kočnice za povratni udar. Osim toga potrebni su stabilno uporište i propisna udaljenost od tla.

Pokretanje (sl. K)

1. Ručicu kočnice lanca za povratni udar povucite prema prednjem rukohvatu u radni položaj (sl. K).
2. Prednji rukohvat čvrsto prihvatite lijevom, a stražnji rukohvat desnom rukom.

⚠ UPOZORENJE! Kako biste izbjegli povrede, lančanu pilu uvijek upotrebljavajte desnom rukom u području držanja stražnjeg rukohvata (sl. L).

3. Palcem desne ruke pritisnite dugme za deblokadu i držite ga pritisnutim, a zatim za pokretanje lančane pile prstima desne ruke stisnite okidni prekidač (sl. L).

L-1	Područje držanja
-----	------------------

4. Otpustite dugme za deblokadu i nastavite stiskati okidni prekidač za kontinuirani rad.
5. Što je okidni prekidač više pritisnut, brzina lanca je veća. Prilagodite brzinu trenutnom zadatku.

⚠ UPOZORENJE! Nemojte pokušavati pokretati pilu kada lanac pile ostane u drvetu.

Zaustavljanje

1. Odmaknite lančanu pilu od područja rezanja, a zatim otpustite okidni prekidač da zaustavite lančanu pilu.
2. Gurnite ručicu kočnice lanca za povratni udar prema naprijed u položaj kočenja da aktivirate kočnicu lanca (sl. K).

⚠ UPOZORENJE! Komplet baterija uvijek izvadite iz mašine tokom pauza i nakon završetka radova.

PROMJENA REŽIMA BRZINE (sl. M)

Ova lančana pila u ima tri režima brzine. Svaki režim brzine ograničava maksimalnu brzinu lančane pile. Režim brzine mijenja se svakim pritiskom na mjenjač brzine lanca.

Indikator nivoa brzine na LCD ekranu će prikazati aktivni režim brzine: jedan indikator za nisku brzinu, dva indikatora za srednju brzinu i tri indikatora za visoku brzinu. Režim niske brzine (ECO) pruža bolju kontrolu nad mašinom i duže vrijeme rada po punjenju.

M-1	Nivo brzine	M-7	Nivo trenutnog opterećenja
-----	-------------	-----	----------------------------

M-2	Ikona Bluetooth	M-8	Dugme za prednje svjetlo/Bluetooth
M-3	Ikona prednjeg svjetla	M-9	Dugme za dovod ulja
M-4	Ikona kočnice	M-10	Mjenjač brzine lanca
M-5	Indikator visoke temperature	M-11	Nivo protoka ulja
M-6	Kružni mjerač goriva	M-12	Indikator niskog nivoa ulja

NAPOMENA! Kada upotrebljavate EGO komplet baterija kapaciteta 4,0 Ah ili manjeg, dostupan je samo ECO režim rada. Kada upotrebljavate EGO komplet baterija kapaciteta manjeg od 6,0 Ah, nećete moći postići veliku brzinu. Za najbolji radni učinak, preporučujemo upotrebu EGO kompleta baterija kapaciteta 6,0 Ah (npr. BA3360T) ili većeg.

NAPOMENA! Lančana pila ima funkciju memorije brzine lanca. Sljedeći put kada se lančana pila uključi, aktivirat će se režim brzine koji se prethodno upotrebljavao.

NAPOMENA! LCD ekran se uključuje kada se povuče okidni prekidač ili kada se pritisne dugme za dovod ulja ili dugme za prednje svjetlo/Bluetooth. Prema zadanim postavkama, LCD ekran automatski se isključuje nakon otprilike 1 sekunde neaktivnosti.

NAPOMENA! LCD ekran neće se uključiti pritiskom na mjenjač brzine lanca.

NIVO OPTEREĆENJA (sl. M)

Nivo opterećenja na desnoj strani LCD ekrana pokazuje trenutno opterećenje mašine. Veći broj indikatora ukazuje na veće opterećenje, a manji broj indikatora na manje opterećenje.

Ova funkcija prvenstveno je namijenjena iskusnim korisnicima lančanih pila na plinski pogon koji možda još nemaju "osjećaj" kako se pila na baterijski pogon ponaša pod različitim opterećenjima. Ova funkcija pomaže korisnicima u praćenju radnog opterećenja kako bi se izbjeglo da lančana pila radi pod velikim opterećenjem duže vrijeme, što može uzrokovati zaustavljanje lančane pile tokom rada zbog pregrijavanja.

INDIKATOR VISOKE TEMPERATURE (sl. M)

Indikator visoke temperature svijetli kada temperatura mašine premaši 90°C (194°F) ili kada temperatura baterije

premaši 70°C (158°F) tokom rada. Temperaturni zaštitni krug odmah će isključiti mašinu da je zaštiti od oštećenja uslijed pregrijavanja. Otpustite okidač i pričekajte da se pregrijana mašina ili baterija ohladi i indikator visoke temperature isključi, a zatim ponovo pokrenite mašinu.

IKONA KOČNICE (sl. M)

Ikona kočnice pojavljuje se na LCD ekranu kada je ručica kočnice u položaju kočenja.

Ikona kočnice treperi kada višesmjerni sistem kočnice lanca zaustavi pilu. Više informacija možete pronaći u sljedećem poglavlju.

VIŠESMJERNI SISTEM KOČNICE LANCA (sl. N1 i N2)

Višesmjerni sistem kočnice lanca nije predviđen kao zamjena za standardnu/tradicionalnu kočnicu lanca. Korisnik se tokom rada lančane pile nikada ne bi trebao oslanjati na ovu funkciju da se zaštiti od povratnog udara. Uvijek se pridržavajte sigurnosnih uputa za sprečavanje povratnog udara u odjeljku s upozorenjima ovog priručnika.

Kada se višesmjerni sistem kočnice lanca aktivira i zaustavi pilu, na LCD ekranu treperi ikona kočnice (sl. M). Otpustite okidni prekidač, izvadite lanac pile i vodilicu iz drveta, a zatim ponovo pokrenite lančanu pilu.

NAPOMENA! Senzori detektuju samo iznenadne pokrete pile u ravnini vodilice (sl. N1). Senzori ne detektuju iznenadne pokrete pile u bočnom smjeru (sl. N2) (tj. okomito na ravninu vodilice).

INDIKATOR NIVOVA PROTOKA ULJA I NISKOGL NIVOVA ULJA (sl. M)

Mašina automatski podmazuje lanac. S ovom lančanom pilom možete promijeniti protok ulja svaki put kada pritisnete dugme za dovod ulja.

NAPOMENA! Protok ulja može se promijeniti samo kada lanac pile nije u pogonu.

Nivo protoka ulja na LCD ekranu prikazuje protok ulja. Jedan indikator prikazuje nizak protok, dva indikatora srednji protok i tri indikatora visok protok.

Odaberite veći protok za veću brzinu lanca. Ako se lanac pile osuši tokom rada, zaustavite motor i odaberite veći protok ulja.

Kada je nivo ulja nizak, na LCD ekranu pojavljuje se indikator niskog nivoa ulja iznad indikatora protoka ulja i dostupan je samo nizak protok. Zaustavite lančanu pilu i dopunite spremnik za ulje u skladu s poglavljem **PUNJENJE SPREMNICA ULJA MAZIVOM ZA VODILICU I LANAC.**

Nakon punjenja spremnika za ulje, neka lančana pila radi oko 10 sekundi da se omogući rad sistema automatskog

podmazivanja i da indikator nestane s LCD ekrana.

NAPOMENA! Ako je indikator i nakon obavljanja ovih koraka i dalje na LCD ekranu, sistem je možda oštećen. Prestanite upotrebljavati motornu pilu i obratite se ovlaštenom EGO servisnom centru radi popravka.

PREDNJE LED SVJETLO (sl. O)

Prednje LED svjetlo nalazi se na prednjoj strani kućišta lančane pile. Prednje svjetlo omogućuje osvjetljenje za povećanu vidljivost i ima 2 nivoa svjetline.

Za uključivanje prednjeg svjetla jednom pritisnite dugme za prednje svjetlo/Bluetooth (sl. M). Prednja svjetla će se uključiti na niskom nivou svjetline, a na LCD zaslonu će se pojaviti ikona niskog nivoa svjetline prednjih svjetala. Za prebacivanje na visoki nivo svjetline ponovo pritisnite dugme za prednje svjetlo/Bluetooth i na LCD zaslonu će se pojaviti ikona visokog nivoa svjetline prednjih svjetala.

Za isključivanje prednjeg svjetla treći put pritisnite dugme za prednje svjetlo/Bluetooth i ikona prednjeg svjetla će nestati s LCD zaslona.

0-1	Ikona niskog nivoa svjetline prednjeg svjetla	0-3	Prednje LED svjetlo
0-2	Ikona visokog nivoa svjetline prednjeg svjetla		

KOMUNIKACIJSKA TEHNOLOGIJA

Za informacije o našoj cjelokupnoj ponudi povezanih proizvoda i usluga, uključujući upute za povezivanje, skenirajte QR kod u nastavku ili posjetite internetsku stranicu www.egopowerplus.eu/connect.



PROPISSNO DRŽANJE ZA RUKOHVATE (sl. P1)

- Za maksimalni prihvat i zaštitu nosite neklizajuće rukavice.
- Pilu na čvrstoj, ravnoj površini držite čvrsto objema rukama.
- Prednji rukohvat uvijek prihvatite lijevom, a stražnji rukohvat desnom rukom.
- Prsti trebaju obuhvatati rukohvat s palcem savijenim ispod prednjeg rukohvata.

⚠ UPOZORENJE! Nemojte nikada upotrebljavati lijevi (poprečni) prihvat niti položaj koji vaše tijelo ili ruku postavlja preko linije lanca.

⚠ UPOZORENJE! Nemojte rukovati okidnim prekidačem lijevom rukom i držati prednji rukohvat desnom rukom. Kada rukujete lančanom pilom nemojte nikada dozvoliti da dio vašeg tijela bude u liniji lanca (sl. P2).

PROPISAN POLOŽAJ PRI REZANJU (sl. Q)

- Oba stopala trebaju biti na čvrstom tlu uz tjelesnu masu ravnomjerno raspoređenu između njih.
- Lijeva ruka treba biti ispružena uz fiksirani lakat. Taj položaj će pomoći da se oduprete silama koje stvara povratni udar.
- Vaše tijelo uvijek mora biti s lijeve strane linije lanca.

UPUTSTVA ZA PROPISNE TEHNIKE OSNOVNOG OBARANJA STABALA, OREZIVANJA GRANA I POPREČNOG REZANJA

⚠ UPOZORENJE! Uvijek osigurajte dobro uporište i čvrsto držite lančanu pilu objema rukama dok motor radi.

⚠ UPOZORENJE! Kada se lanac pile zaustavi zbog zaglavlivanja tokom postupka rezanja, otpustite okidni prekidač, uklonite lanac pile i vodilicu iz drveta, a zatim ponovo pokrenite lančanu pilu.

⚠ UPOZORENJE! Nemojte povlačiti lanac pile rukom kada je obuhvaćen piljevinom. Iznenađno pokretanje lančane pile može rezultirati teškim povredama. Za uklanjanje naslaga pritisnite lanac pile o drvo i pomičite lančanu pilu prema nazad i naprijed. Prije čišćenja uvijek izvadite komplet baterija. Kada rukujete lančanom pilom, uvijek nosite zaštitne rukavice za teške uslove rada.

⚠ UPOZORENJE! Nemojte nikada pokretati lančanu pilu kada je u kontaktu s drvom. Prije rezanja drveta uvijek pričekajte da lančana pila dostigne punu brzinu.

OBARANJE STABALA

- Kod radova rezanja po dužini i obaranja stabala koje istovremeno obavljaju dvije osobe ili više osoba, radove obaranja stabala potrebno je razdvojiti od radova rezanja po dužini razdaljinom od najmanje dvije visine stabla koje se obara. Stabla se ne smiju obarati na način kojim će se ugroziti osobe, udariti u opskrbnu mrežu ili uzrokovati materijalnu štetu. Ako stabla dođu u kontakt s opskrbnom mrežom, odmah je potrebno obavijestiti odnosno preduzeće.

- Rukovalac lančanom pilom treba stajati na uzvišenoj strani terena jer će se drvo nakon obaranja vjerovatno otkotrljati ili skliznuti nizbrdo.
- Prije početka postupka rezanja potrebno je isplanirati i prema potrebi očistiti put za sklanjanje od padajućeg stabla. Put za sklanjanje od padajućeg stabla treba se protezati nazad i dijagonalno prema stražnjem dijelu očekivane linije pada kako je prikazano na sl. R.

R-1	Smjer obaranja stabla
R-2	Sigurna putanja za povlačenje

- Prije početka postupka obaranja stabla, za procjenu putanje pada stabla uzmite u obzir prirodnu nagnutost stabla, lokaciju većih grana i smjer vjetra.
- Sa stabla uklonite prljavštinu, kamenje, odvojenu koru, eksera, spajalice i žicu.

Zarezivanje

Napravite urez 1/3 prečnika stabla, okomito naspram smjera pada kako je prikazano na sl. S. Najprije obavite niže vodoravno zarezivanje. To će pomoći u izbjegavanju zaglavljivanja lanca pile ili vodilice pri pravljenju drugog ureza.

S-1	Smjer pada	S-3	Rez obaranja
S-2	Urez	S-4	Zglob

Rez obaranja

- Rez obaranja napravite najmanje 50 mm više od vodoravnog zarezivanja kako je prikazano na sl. S. Rez obaranja održavajte paralelnim u odnosu na vodoravno zarezivanje. Rez obaranja napravite tako da ostane dovoljno drveta da djeluje kao zglob. Zglob sprečava zakretanje stabla i pad stabla u pogrešnom smjeru. Nemojte rezati kroz zglob.
- Kako se rezovi za obaranje približavaju zglobu, stablo treba početi da pada. Ako postoji mogućnost da drvo ne padne u željenom smjeru ili da se zanjiše unazad i blokira lanac pile, obustavite radove rezanja prije završetka reza obaranja i upotrijebite klinove od drveta, plastike ili aluminijuma da otvorite rez i ispustite stablo duž željene linije pada.
- Kada stablo počne da pada, uklonite lančanu pilu iz reza, zaustavite motor, odložite lančanu pilu, a zatim upotrijebite planiranu putanju za povlačenje. Pazite na grane iznad glave koje padaju i vodite računa

o uporištu.

Orezivanje grana stabla

Orezivanje grana je uklanjanje grana s oborenog stabla. Prilikom orezivanja grana ostavite veće niže grane kao pomoć za odizanje debla s tla. Male grane uklonite jednim rezom kako je prikazano na sl. T. Napete grane potrebno je rezati odozdo prema gore kako bi se izbjegla blokada lančane pile.

Rezanje po dužini

Rezanje po dužini je uzdužno rezanje debla. Važno je da osigurate čvrsto uporište i da tjelesna masa bude ravnomjerno raspoređena na oba stopala. Ako je moguće, deblo treba podiči i poduprijeti pomoću grana, debla ili klinova. Pridržavajte se jednostavnih smjernica za jednostavno rezanje.

Kada je deblo poduprieto cijelom dužinom kako je prikazano na sl. U1, reže se s gornje strane (odozgo).

Kada je deblo poduprieto na jednom kraju kako je prikazano na sl. U2, režite 1/3 prečnika debla s donje strane (odozdo). Zatim obavite završni rez odozgo kako biste sastavili s prvim rezom.

Kada je deblo poduprieto na oba kraja kako je prikazano na sl. U3, režite 1/3 prečnika debla s gornje strane (odozgo). Zatim obavite završni rez odozdo na donjoj strani 2/3 kako biste sastavili s prvim rezom.

Kada obavljate rezanje po dužini na nagibu, uvijek stojite na uzvišenoj strani od debla kako je prikazano na sl. V.

Kada "odrezujete", za održavanje kompletne kontrole rasteretite pritisak rezanja u blizini kraja reza bez popuštanja zahvata na rukohvatima lančane pile. Nemojte dozvoliti da lanac dođe u kontakt s tlom. Nakon obavljeno reza, pričekajte da se lanac pile zaustavi prije premještanja lančane pile. Uvijek zaustavite motor prije premještanja s drveta na drvo.

ODRŽAVANJE

⚠ UPOZORENJE! Kada obavljate radove servisiranja, upotrebljavajte samo identične zamjenske dijelove. Upotreba drugih dijelova može uzrokovati opasnost ili oštećenje proizvoda. Radi osiguranja sigurnosti i pouzdanosti, sve popravke treba obavljati kvalifikovani servisni tehničar.

⚠ UPOZORENJE! Radi izbjegavanja teških tjelesnih povreda, prije pregleda, čišćenja ili održavanja komplet baterija uvijek izvadite iz proizvoda. Alat na baterijski pogon s umetnutim kompletom baterija uvijek je uključen i može se iznenada pokrenuti.

BS

⚠ UPOZORENJE! Kada čistite lančanu pilu, NEMOJTE je uranjati u vodu ili druge tekućine.

⚠ UPOZORENJE! Nemojte nikada dozvoliti da kočione tekućine, benzin, proizvodi na bazi nafte, penetrirajuća ulja i sl., dođu u kontakt s plastičnim dijelovima. Hemikalije mogu oštetiti, oslabiti ili uništiti plastiku što može rezultirati teškim tjelesnim povredama.

ČIŠĆENJE

- Nakon svake upotrebe mekanom četkom očistite naslage s lanca i vodilice. Površinu lančane pile obrišite čistom krpom navlaženom u blagoj sapunici.
- Skinite bočni poklopac, a zatim mekanom četkom očistite naslage s vodilice, lanca pile, lančanika i bočnog poklopca.
- Uklonite donji poklopac otprilike svakih 8 sati rada i zatim mekanom četkom uklonite prljavštinu iz unutrašnjosti mašine i na poklopcu (sl. W).
- Pri zamjeni lanca pile, iz žlijeba vodilice uvijek očistite drveno iverje, prašinu od pile i prljavštinu.

ODRŽAVANJE VODILICE

Kada se na vodilici pojave znakovi istrošenosti, skinite je s pogonske glave lančane pile i okrenite je naopako za ponovno postavljanje (sl. X1). Na taj ćete način raspodijeliti trošenje radi maksimalnog radnog vijeka vodilice.

Vodilicu je potrebno čistiti svaki dan kada se upotrebljava i provjeriti postoje li na njoj znakovi istrošenosti i oštećenja (sl. X2). Stvaranje bridova ili neravnina na šinama vodilice je normalan proces trošenja vodilice. Takve nepravilnosti treba ublažiti turpijom čim se pojave. Vodilicu s bilo kojim od sljedećih nepravilnosti je potrebno zamijeniti.

- Istrošenost unutrašnje strane šina vodilice što omogućuje ležanje lanca sa strane.
- Savijena vodilica.
- Napuknute ili polomljene šine.
- Raširene šine.

Osim toga, vodilica na vrhu ima lančanik (sl. X3).

Lančanik je potrebno sedmično podmazivati mazalicom radi produženja radnog vijeka vodilice. Za sedmično podmazivanje uljem za lanac putem otvora za podmazivanje upotrebljavajte mazalicu (sl. W4). Okrenite vodilicu i provjerite jesu li otvori za podmazivanje i žlijeb lanca očišćeni od nečistoća.

X-2	Lančanik na vrhu vodilice		
-----	---------------------------	--	--

NAPOMENA! Za najbolje rezultate upotrebljavajte maziva koja je odobrila kompanija EGO.

TRANSPORT I SKLADIŠTENJE

Lančanu pilu nemojte skladištiti ili transportovati kada radi. Prije skladištenja ili transporta uvijek izvadite komplet baterija.

Prije skladištenja ili transporta lančane pile, na vodilicu i lanac uvijek stavite zaštitnu navlaku. Budite oprezni da izbjegnute oštre zube lanca.

Lančanu pilu dobro očistite prije skladištenja. Lančanu pilu skladištite u zatvorenim prostorima na suhom mjestu koje je zaključano i/ili nedostupno djeci.

Teleskopsku pogonsku šipku držite podalje od korozivnih sredstava kao što su vrtna hemijska sredstva i soli za odmrzavanje.

ZAŠTITA ŽIVOTNE SREDINE



Električnu opremu, iskorištenu bateriju i punjač ne odlažite u kućni otpad!

Ovaj proizvod odnesite u ovlaštenu centar za reciklažu i time omogućite odvojeno sakupljanje. Električne alate potrebno je vratiti u ekološki prihvatljiv pogon za reciklažu.

BS

X-1	Šine vodilice	X-3	Otvor za podmazivanje
-----	---------------	-----	-----------------------

OTKLANJANJE PROBLEMA

⚠ UPOZORENJE! Kada obavljate radove održavanja na lančanoj pili, uvijek zaštitite ruke nošenjem debelih rukavica. Prije radova servisiranja ili transporta lančane pile uvijek izvadite komplet baterija.

PROBLEM	UZROK	RJEŠENJE
Motor se ne pokreće.	<ul style="list-style-type: none"> ■ Komplet baterija nije pričvršćen na lančanu pilu. ■ Nema električnog kontakta između pile i kompleta baterija. ■ Ako krug indikatora napajanja na LCD ekranu treperi, komplet baterija je ispražnjen. ■ Ako se na LCD ekranu pojavi indikator visoke temperature, komplet baterija je previše vruć ili je lančana je previše vruća. ■ Ako se na LCD ekranu pojavi ikona kočnice lanca, kočnica lanca je aktivirana. ■ Naslage u žlijebu vodilice. ■ Naslage u bočnom poklopcu. 	<ul style="list-style-type: none"> ■ Pričvrstite komplet baterija na lančanu pilu. ■ Izvadite komplet baterija, provjerite kontakte i ponovo stavite komplet baterija. ■ Napunite komplet baterija. ■ Pričekajte da se komplet baterija ili lančana pila ohlade na temperaturu ispod 67°C. ■ Ručicu kočnice lanca za povratni udar povucite nazad prema prednjem rukohvatu u radni položaj. ■ Za uklanjanje naslaga pritisnite lanac pile o drvo i pomičite lančanu pilu prema nazad i naprijed. ■ Izvadite komplet baterija, zatim skinite bočni poklopac i očistite naslage.
Režim brzine se ne može mijenjati.	<ul style="list-style-type: none"> ■ Mjenjač brzine lanca se zaglavio zbog naslaga. 	<ul style="list-style-type: none"> ■ Očistite naslage oko mjenjača brzine lanca.
Lančana pila neočekivano prestaje raditi tokom rada.	<ul style="list-style-type: none"> ■ Lančana pila je preopterećena. ■ Ako se na LCD ekranu pojavi indikator visoke temperature, komplet baterija je previše vruć ili je lančana je previše vruća. ■ Lanac pile zaglavio se u drvetu. ■ Ako na LCD ekranu treperi ikona kočnice lanca, višesmjerni sistem kočnice lanca je zaustavio pilu. 	<ul style="list-style-type: none"> ■ Smanjite opterećenje. ■ Pričekajte da se komplet baterija ili lančana pila ohlade na temperaturu ispod 67°C. ■ Otpustite okidni prekidač, izvadite lanac pile i vodilicu iz drva, a zatim ponovo pokrenite lančanu pilu. ■ Otpustite okidni prekidač, izvadite lanac pile i vodilicu iz drva, a zatim ponovo pokrenite lančanu pilu.
Motor radi, ali lanac se ne okreće.	<ul style="list-style-type: none"> ■ Lanac ne zahvaća pogonski lančanik. 	<ul style="list-style-type: none"> ■ Ponovo postavite lanac vodeći računa da pogonske karike na lancu potpuno nalježu na lančanik.

PROBLEM	UZROK	RJEŠENJE
Kočnica lanca se ne aktivira.	<ul style="list-style-type: none"> Naslage sprečavaju puno kretanje ručice kočnice lanca za povratni udar. Mogući kvar kočnice lanca. 	<ul style="list-style-type: none"> Očistite naslage s vanjskog mehanizma kočnice lanca. Za popravak se obratite centru korisničke službe proizvođača EGO.
Lančana pila ne reže ispravno.	<ul style="list-style-type: none"> Lanac je nedovoljno zategnut. Lanac je tup. Lanac je postavljen naopako. Lanac je istrošen. Lanac je suh ili je previše rastegnut. Lanac nije u žlijebu vodilice. 	<ul style="list-style-type: none"> Ponovo podesite zategnutost lanca slijedeći uputstva iz odjeljka: "PODEŠAVANJE ZATEGNUTOSTI LANCA". Naoštrite lanac. Ponovo stavite lanac pile prema uputstvima iz odjeljka "POSTAVLJANJE/ZAMJENA VODILICE I LANCA". Zamijenite lanac slijedeći uputstva iz odjeljka: "POSTAVLJANJE/ZAMJENA VODILICE I LANCA". Provjerite nivo ulja. Dopunite spremnik ulja i prema potrebi odaberite veću dopremu ulja. Ponovo stavite lanac pile slijedeći uputstva iz odjeljka: "POSTAVLJANJE/ZAMJENA VODILICE I LANCA".
Lanac postaje labav ili spada s vodilice tokom normalne upotrebe.	<ul style="list-style-type: none"> Lanac postaje labav kako se temperatura lanca povisuje tokom normalnog rada pile. Lanac ne zahvaća pogonski lančanik. 	<ul style="list-style-type: none"> Lanac zategnite prema uputstvima iz poglavlja "PODEŠAVANJE ZATEGNUTOSTI LANCA". Ponovo stavite lanac pile slijedeći uputstva iz odjeljka: "POSTAVLJANJE/ZAMJENA VODILICE I LANCA".
Vodilica i lanac zagrijavaju se i oslobađaju dim.	<ul style="list-style-type: none"> Ako se na LCD ekranu pojavi indikator niskog nivoa ulja, spremnik ulja za lanac je prazan. Naslage u žlijebu vodilice. 	<ul style="list-style-type: none"> Provjerite nivo ulja. Prema potrebi dopunite ulje u spremnik ulja. Očistite naslage u žlijebu.
Indikator niskog nivoa ulja pojavljuje se na LCD ekranu čak i kada u spremniku za ulje ima dovoljno ulja. Ili čak i ako u spremniku za ulje nedostaje ulja, indikator niskog nivoa ulja ne prikazuje se na LCD ekranu.	<ul style="list-style-type: none"> Komponenta za detekciju nivoa ulja još nije detektovala stvarni nivo ulja zbog zaostalog ulja ili zraka u cijevi za ulje. Kvar komponente za detekciju nivoa ulja. 	<ul style="list-style-type: none"> Pričekajte nekoliko minuta da preostalo ulje ili zrak izađu iz cijevi za ulje.

GARANCIJA

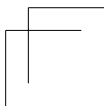
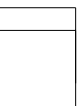
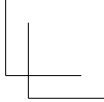
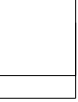
BS

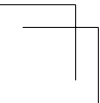
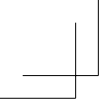
POLITIKA GARANCIJE PROIZVOĐAČA EGO

Za sve odredbe i uslove politike garancije proizvođača EGO posjetite internetsku stranicu egopowerplus.eu.

326

AKUMULATORSKA MOTORNA ŽAGA S LITIJ-IONSKOM BATERIJOM OD 56 V — CSX5000





المشكلة	السبب	الحل
المنشار السلسلي لا يقطع بالشكل الصحيح.	<ul style="list-style-type: none"> شد السلسلة غير كافٍ. السلسلة غير حادة. تم تركيب السلسلة بشكل عكسي. السلسلة متآكلة. السلسلة جافة أو ممتددة بشكل زائد عن الحد. السلسلة ليست في تجويف القضيب. 	<ul style="list-style-type: none"> أعد ضبط شد السلسلة وفقاً للقسم: "ضبط شد السلسلة". اشحذ السلسلة. أعد تركيب سلسلة المنشار وفقاً للقسم "تجميع/ استبدال القضيب والسلسلة". استبدل السلسلة وفقاً للقسم: "تجميع/ استبدال القضيب والسلسلة". افحص مستوى الزيت. أعد ملء خزان الزيت، واختر حجم إمداد أعلى بالزيت إذا لزم الأمر. أعد تركيب سلسلة المنشار وفقاً للقسم: "تجميع/ استبدال القضيب والسلسلة".
السلسلة تنفك أو تسقط عن قضيب التوجيه أثناء الاستخدام العادي.	<ul style="list-style-type: none"> أثناء التشغيل العادي للمنشار، ستنفك السلسلة بسبب ارتفاع درجة حرارة السلسلة. السلسلة لا تقوم بتعشيق الترس الممنن للعمود. 	<ul style="list-style-type: none"> اربط السلسلة لضبط شدّها وفقاً للقسم "ضبط شد السلسلة". أعد تركيب سلسلة المنشار وفقاً للقسم: "تجميع/ استبدال القضيب والسلسلة".
القضيب والسلسلة يصبحان ساخنين ويصدر عنهما أدخنة.	<ul style="list-style-type: none"> إذا ظهر مؤشر انخفاض مستوى الزيت على شاشة LCD، فهذا يعني أن خزان زيت السلسلة فارغ. هناك عوالق في تجويف قضيب التوجيه. 	<ul style="list-style-type: none"> افحص مستوى الزيت. استكمل ملء خزان الزيت عند الضرورة. نظف العوالق الموجودة في التجويف.
يظهر مؤشر انخفاض مستوى الزيت على شاشة LCD حتى عند وجود زيت كافٍ في خزان الزيت. أو حتى إذا كان خزان الزيت يعاني من نقص في الزيت، فإن شاشة LCD لا تعرض مؤشر انخفاض مستوى الزيت.	<ul style="list-style-type: none"> لم تتم وحدة اكتشاف مستوى الزيت باكتشاف المستوى الفعلي للزيت بعد بسبب الزيت المتبقّي أو وجود هواء في أنبوب الزيت. خلل في وحدة اكتشاف مستوى الزيت. 	<ul style="list-style-type: none"> انتظر لعدة دقائق إلى أن يتم تصريف أي زيت متبقّي أو هواء من أنبوب الزيت.

الضمان

سياسة ضمان EGO

تفضل زيارة الموقع الإلكتروني egopowerplus.eu للتعرف على الشروط والأحكام الكاملة الخاصة بسياسة ضمان EGO.

استكشاف الأعطال وإصلاحها

⚠ تحذير: احرص دائماً على حماية يديك عن طريق ارتداء قفازات قوية عند إجراء أي أعمال صيانة على المنشار السلسلي. احرص دائماً على خلع مجموعة البطارية عند إجراء أعمال الصيانة على المنشار السلسلي أو نقله.

المشكلة	السبب	الحل
لا يمكن بدء تشغيل المحرك.	<ul style="list-style-type: none"> مجموعة البطارية غير مركبة في المنشار السلسلي. لا يوجد اتصال كهربائي بين المنشار ومجموعة البطارية. إذا كانت دائرة مقياس الوقود الموجودة على شاشة LCD تومض، فهذا يعني أن مجموعة البطارية نافذة الشحن. إذا ظهر مؤشر درجة الحرارة المرتفعة على شاشة LCD، فهذا يعني أن مجموعة البطارية أو المنشار السلسلي ساخن للغاية. إذا ظهرت أيقونة فرملة السلسلة على شاشة LCD، فهذا يعني أنه تم تعشيق فرملة السلسلة. هناك عوالق في تجويف القضيبي. هناك عوالق في الغطاء الجانبي. 	<ul style="list-style-type: none"> قم بتركيب مجموعة البطارية في المنشار السلسلي. اخلع مجموعة البطارية، وافحص التوصيلات، ثم أعد تركيب مجموعة البطارية. اشحن مجموعة البطارية. اترك مجموعة البطارية أو المنشار السلسلي يبردان إلى أن تهبط درجة الحرارة إلى ما دون 67 درجة مئوية. اسحب دواسة فرملة رد الفعل الارتدادي للسلسلة للخلف ناحية المقبض الأمامي إلى أن يصل إلى وضع التشغيل. اضغط على سلسلة المنشار ناحية الخشب، وحرك المنشار السلسلي للخلف ولأمام لإزالة العوالق. اخلع مجموعة البطارية، ثم اخلع الغطاء الجانبي وأزل العوالق.
لا يمكن تغيير وضع السرعة.	<ul style="list-style-type: none"> هناك عوالق تعيق نظام تغيير سرعة السلسلة. 	<ul style="list-style-type: none"> تخلص من العوالق الموجودة حول نظام تغيير سرعة السلسلة.
المنشار السلسلي يتوقف عن العمل أثناء الاستخدام بشكل غير متوقع.	<ul style="list-style-type: none"> هناك حمل زائد على المنشار السلسلي. إذا ظهر مؤشر درجة الحرارة المرتفعة على شاشة LCD، فهذا يعني أن مجموعة البطارية أو المنشار السلسلي ساخن للغاية. سلسلة المنشار متعثرة في الخشب. إذا ومضت أيقونة فرملة السلسلة على شاشة LCD، فيسبب إيقاف المنشار بواسطة نظام فرملة السلسلة متعدد الاتجاهات. 	<ul style="list-style-type: none"> خفف الحمل. اترك مجموعة البطارية أو المنشار السلسلي يبردان إلى أن تهبط درجة الحرارة إلى ما دون 67 درجة مئوية. رفع إصبعك عن المفتاح الزنبركي؛ واخلع سلسلة المنشار وقضيبي التوجيه من الخشب، ثم أعد تشغيل المنشار السلسلي. رفع إصبعك عن المفتاح الزنبركي؛ واخلع سلسلة المنشار وقضيبي التوجيه من الخشب، ثم أعد تشغيل المنشار السلسلي.
المحرك يدور، ولكن السلسلة لا تدور.	<ul style="list-style-type: none"> السلسلة لا تقوم بتعشيق الترس المسنن للعمود. 	<ul style="list-style-type: none"> أعد تركيب السلسلة، مع التأكد من استواء وصلات نقل الحركة بالسلسلة بأكملها على الترس المسنن.
لا يتم تعشيق فرملة السلسلة.	<ul style="list-style-type: none"> العوالق تمنع الحركة الكاملة لدواسة فرملة رد الفعل الارتدادي للسلسلة. خلل وظيفي محتمل في فرملة السلسلة. 	<ul style="list-style-type: none"> نظف العوالق عن الآلية الخارجية لفرملة السلسلة. تواصل مع قسم خدمة العملاء بشركة EGO لإصلاح العيب.

الشكل U1، يكون القطع من أعلى (الجانب العلوي للزند).

عندما يكون الزند معدومًا من طرف واحد، على النحو الموضح في الشكل U2، اقطع 1/3 من قطره من أسفل (الجانب السفلي للزند). ثم استكمل القطع من أعلى إلى أن تلتقي بالقطع السفلي.

عندما يكون الزند معدومًا من كلا الطرفين، على النحو الموضح في الشكل U3، اقطع 1/3 من قطره من أعلى (الجانب العلوي للزند). ثم استكمل القطع من أسفل بقطع الثلثين المتبقيين إلى أن تلتقي بالقطع العلوي.

عند تقطع الزند وأنت على منحدر، احرص دائمًا على الوقوف على الجانب العلوي للزند، على النحو الموضح في الشكل V.

عند "القطع عبر الزند"، فكي تحافظ على التحكم الكامل في المنشار، حرر ضغط القطع عند الاقتراب من نهاية القطع، ولكن دون إرخاء قبضتك عن مقابض المنشار السلسلي. لا تدع السلسلة تلامس الأرض. بعد استكمال القطع، انتظر حتى توقف سلسلة المنشار قبل نقل المنشار السلسلي. احرص دائمًا على إيقاف المحرك قبل الانتقال من شجرة إلى أخرى.

الصيانة

⚠ تحذير: استخدم فقط قطع غيار أصلية عند إجراء أعمال الصيانة. لأن استخدام أي أجزاء أخرى قد ينشأ عنه خطر أو يتسبب في تعرض المنتج للتلف. لضمان السلامة والاعتمادية، يجب تنفيذ جميع أعمال الإصلاح من قبل فني خدمة مؤهل.

⚠ تحذير: لتجنب التعرض لإصابات خطيرة، احرص دائمًا على خلع مجموعة البطارية من الآلة قبل فحصها أو تنظيفها أو إجراء أي أعمال صيانة عليها. عندما تكون البطارية مركبة في الآلة العاملة بالبطارية، فإن الآلة تكون متصلة بالتيار وقد تعمل دون قصد.

⚠ تحذير: عند تنظيف المنشار السلسلي، لا تعمره في الماء أو أي سوائل أخرى.

⚠ تحذير: لا تسمح في أي وقت من الأوقات بملامسة سوائل الفرمال أو المواد البترولية أو المنتجات القائمة على البترول أو الزيت المتغلغل أو ما شابههم للأجزاء البلاستيكية من المنشار. لأن المواد الكيميائية قد تتسبب في تلف الأجزاء البلاستيكية أو وضعفها أو تدميرها، وهو ما قد يؤدي إلى وقوع إصابات خطيرة.

التنظيف

■ بعد كل استخدام، نظف العوالمق عن السلسلة وقضيب التوجيه بفرشاة ناعمة. امسح سطح المنشار السلسلي بقطعة قماش نظيفة مبللة بمحلول صابون خفيف.

■ اخلع الغطاء الجانبي، ثم استخدم فرشاة ناعمة لإزالة العوالمق عن قضيب التوجيه وسلسلة المنشار والترس المسنن والغطاء الجانبي.

■ قم بإزالة الغطاء السفلي كل 8 ساعات من التشغيل تقريبًا، ثم استخدم فرشاة ناعمة لإزالة العوالمق الموجودة داخل الآلة وعلى الغطاء (الشكل W).

■ احرص دائمًا على إزالة الرقائق الخشبية، وغبار المنشار، والأوساخ عن تجويف قضيب التوجيه أثناء استبدال سلسلة المنشار.

صيانة قضيب التوجيه

عند ظهور علامات تآكل على قضيب التوجيه، قم بفكّه من رأس طاقة المنشار السلسلي وإعادة تجميعه بشكل عكسي (الشكل X1). وسيؤدي ذلك إلى توزيع التآكل لتحقيق أقصى عمر للقضيب.

يجب تنظيف القضيب في كل يوم استخدام وقصه بحثًا عن أي علامات للتآكل والتلف (الشكل X2). تأكل أو ثقب حواجز القضيب من المظاهر الطبيعية لتآكل القضيب. مثل تلك العيوب يجب تعميمها باستخدام مربرد بمجرد ظهورها. أي قضيب به العيوب التالية يجب استبداله.

- تأكل داخل حواجز القضيب تسمح بارتقاء السلسلة للمسارات الجانبية.
- انثناء قضيب التوجيه.
- تشقق الحواجز أو انكسارها.
- تمدد الحواجز.

بالإضافة إلى ذلك، ففضيب التوجيه به ترس مسنن عند طرفه (الشكل X3).

يجب تشحيم الترس المسنن أسبوعيًا بمحقة تشحيم، وذلك لتمديد عمر قضيب التوجيه. استخدم محقة التشحيم للتشحيم أسبوعيًا بزيوت السلسلة عن طريق فتحة التزييت (الشكل W4). أدر قضيب التوجيه، وتحقق من خلو فتحات التزييت وتجويف السلسلة من الشوائب.

X-1	حواجز القضيب	X-3	فتحة التزييت
X-2	الترس المسنن في طرف قضيب التوجيه		

تنبيه: استخدم مواد التزييت المعتمدة من EGO للحصول على أفضل النتائج.

النقل والتخزين

لا تقم بتخزين أو نقل المنشار السلسلي وهو يعمل. احرص دائمًا على خلع مجموعة البطارية قبل التخزين أو النقل.

احرص دائمًا على وضع غلاف قضيب التوجيه على قضيب التوجيه والسلسلة قبل تخزين المنشار السلسلي أو نقله. تعامل بحذر لتجنب الأسنان الحادة للسلسلة.

نظف المنشار السلسلي جيدًا قبل تخزينه. يكون تخزين المنشار السلسلي داخل المنزل في مكان جاف مغلق و/أو لا يمكن الوصول إليه من قبل الأطفال.

احتفظ بالمنتج بعيدًا عن المواد المسببة للتآكل مثل كيماويات الحديقة وملح إذابة الجليد.

حماية البيئة

لا تتخلص من المعدات الكهربائية أو البطارية المستهلكة أو الشاحن في النفايات المنزلية! بل توجه بهذا المنتج إلى مركز إعادة تدوير معتمد ليكون متاحًا للفرز بشكل منفرد. يجب إعادة الآلات الكهربائية إلى مرفق إعادة تدوير صديق للبيئة.



■ قبل بدء إسقاط الشجرة، تحقق من الميل الطبيعي للشجرة، وموقع الفروع الأكبر، واتجاه الرياح لتحديد الاتجاه الذي ستقع ناحيته الشجرة.

■ تخلص من أي أسواخ أو أحجار أو لحاء مفكوك أو مسامير أو مشابك أو أسلاك موجودة في الشجرة.

القطع الأخدودي المحد لإتجاه السقوط

اصنع قطعًا أخدوديًا بطول 1/3 من قطر الشجرة، بحيث يكون عموديًا على إتجاه السقوط وفقًا لما هو موضح في الشكل S. اصنع القطع الأخدودي الأفقي الأدنى أو لآ. فهذا سيساعد في تجنب انحسار سلسلة المنشار أو قضيب التوجيه عند عمل القطع الأخدودي الثاني.

S-1	اتجاه السقوط	S-3	قطع السقوط للخلف
S-2	حزوز	S-4	مفصلة

قطع السقوط للخلف

■ اصنع قطع السقوط للخلف بحيث يكون فوق القطع الأخدودي الأفقي بمسافة 50 مم على النحو الموضح في الشكل S. اجعل قطع السقوط للخلف موازيًا للقطع الأخدودي الأفقي. أثناء عمل قطع السقوط للخلف، اترك خشبًا كافيًا ليحمل كمفصلة. المفصلة الخشبية تمنع التواء الشجرة وسقوطها في الإتجاه الخاطئ. لا ينبغي القطع عبر المفصلة الخشبية.

■ مع اقتراب قطع إسقاط الشجرة من المفصلة الخشبية، ستبدأ الشجرة في السقوط. إذا كان هناك أي احتمال بسقوط الشجرة في غير الإتجاه المرغوب أو أنها قد ترتد وتتني سلسلة المنشار، قم بإيقاف القطع قبل اكتمال قطع السقوط للخلف واستخدم الأوتاد المصنوعة من الخشب أو البلاستيك أو الألمنيوم لفتح القطع وإسقاط الشجرة على طول خط السقوط المرغوب.

■ عندما تبدأ الشجرة في السقوط، اخلع المنشار السلسلي من القطع، وأوقف المحرك، واخفض المنشار السلسلي، ثم تحرك في مسار التراجع المخطط له. حاذر من أفرع الشجر العلوية وانتبه لموضع قدميك.

تقطيع أفرع شجرة

تقطيع الأفرع عبارة عن إزالة الأفرع الموجودة بشجرة ساقطة. عند التقطيع، اترك الأفرع الكبيرة الموجودة في الجانب السفلي كي تعمل على دعم الزند من الوقوع على الأرض. أزل الأفرع الصغيرة مرة واحدة على النحو الموضح في الشكل T. يجب قطع الأفرع الواقعة تحت ضغط من الأسفل لأعلى، وذلك لتجنب انثناء المنشار السلسلي.

تقطيع زند

تقطيع الزند عبارة عن تقطيع زند إلى قطع ذات أطوال محددة. من المهم التأكد من ثبات موضع قدميك، وتوزيع وزنك بالتساوي على كلتا قدميك. إن أمكن، يجب رفع الزند ودعسه عن طريق استخدام الأفرع أو الزنود أو الأوتاد. اتبع التعليمات البسيطة التالية لتنفيذ عملية القطع بسهولة.

عندما يكون الزند مدعومًا بطوله الكامل على النحو الموضح في

وضع القطع السليم (الشكل Q)

■ يجب أن تكون كلتا قدميك على أرض صلبة، مع توزيع الوزن عليهما بالتساوي.

■ يجب أن يكون الذراع الأيسر ممتدًا على استقامته، والكوع ثابتًا. فهذا يساعد في مقاومة القوى الناشئة عن رد الفعل الارتدادي.

■ احرص دائمًا على أن يكون جسمك على الجانب الأيسر لخط السلسلة.

التعليمات المتعلقة بالتقنيات الملائمة لعمليات إسقاط الأشجار وفتح الفروع والقطع المستعرض.

⚠ **تحذير:** تحقق دائمًا من موضع قدميك وأمسك المنشار السلسلي بإحكام بكلتا يديك أثناء دوران المحرك.

⚠ **تحذير:** عند توقف سلسلة المنشار بسبب انحسارها أثناء القطع، ارفع إصبعك عن المقفاح الزنبركي؛ واخلع سلسلة المنشار وقضيب التوجيه من الخشب، ثم أعد تشغيل المنشار السلسلي.

⚠ **تحذير:** لا تسحب سلسلة المنشار بيدك وهي مغطاة بالنشارة. فقد تتعرض لإصابات خطيرة إذا تم بدء تشغيل المنشار السلسلي دون قصد. اضغط على سلسلة المنشار ناحية الخشب، وحرك المنشار السلسلي للخلف وللأمام لإزالة العوائق. احرص دائمًا على خلع مجموعة البطارية قبل التنظيف. احرص على ارتداء قفازات واقية قوية عند التعامل مع سلسلة المنشار.

⚠ **تحذير:** لا تقم أبدًا ببدء تشغيل المنشار السلسلي أثناء ملامسته للخشب. احرص دائمًا على ترك المنشار السلسلي يصل إلى سرعته الكاملة قبل وضع المنشار على الخشب.

إسقاط شجرة

■ أثناء تنفيذ أعمال تقطيع الزنود وإسقاط الأشجار بواسطة شخصين أو أكثر في نفس الوقت، يجب فصل عملية إسقاط الأشجار عن عملية تقطيع الزنود بمسافة لا تقل عن ضعف ارتفاع الشجرة التي يتم إسقاطها. يجب ألا يتم إسقاط الأشجار بطريقة قد تعرض أي شخص للخطر، أو تتسبب في الإضرار بأي خطوط مرافق، أو تعريض أي ممتلكات للتلف. إذا لامست الشجرة أي خط مرافق، يجب إبلاغ شركة المرافق المعنية على الفور.

■ يجب على مشغل المنشار السلسلي أن يقف على الجانب المرتفع من الأرض، لأن الشجرة ستميل في الغالب إلى الدرجات أو السقوط نحو الجانب المنخفض من الأرض عند إسقاطها.

■ يجب تحديد مسار للهروب وتطهيره بحسب الضرورة قبل بدء عملية القطع. يجب أن يمتد مسار الهروب للخلف وبشكل مائل نحو الجانب الخلفي لخط السقوط المتوقع على النحو الموضح في الشكل R.

R-1	اتجاه القطع
R-2	مسار التراجع الآمن

المصباح الأمامي LED موجود في مقدمة هيكل المنشار السلسلي. حيث يوفر المصباح الأمامي إضاءة لزيادة الرؤية، وبه مستويين من السطوع.

لتشغيل المصباح الأمامي، اضغط على زر المصباح الأمامي/البلوتوث (الشكل M) مرة واحدة. سيتم تشغيل المصباح الأمامي على مستوى السطوع المنخفض، وستظهر أيقونة المصباح الأمامي منخفض السطوع على شاشة LCD. اضغط على زر المصباح الأمامي/البلوتوث مرة أخرى للتبديل إلى مستوى السطوع العالي، وستظهر أيقونة المصباح الأمامي عالي السطوع على شاشة LCD. لإيقاف تشغيل المصباح الأمامي، اضغط على زر المصباح الأمامي/البلوتوث للمرة الثالثة، وستختفي أيقونة المصباح الأمامي من شاشة LCD.

المصباح الأمامي LED	O-3	أيقونة المصباح الأمامي منخفض السطوع	O-1
		أيقونة المصباح الأمامي عالي السطوع	O-2

تكنولوجيا الاتصالات

للتعرف على المعلومات الخاصة بالمجموعة الكاملة من المنتجات والخدمات القابلة للاتصال، بما في ذلك تعليمات تنفيذ الاتصال، يرجى مسح رمز الاستجابة السريعة (QR) أدناه أو تفضل بزيارة الموقع الإلكتروني www.egopowerplus.eu/connect.



الإمسك السليم بالمقبض (الشكل P1)

- احرص على ارتداء قفازات ماصة للانزلاق لتحقيق أقصى قدر من الإمسك والحماية.
- بينما المنشار على سطح صلب مستوٍ، أمسك المنشار بإحكام بكلتا يديك.
- احرص دائماً على الإمسك بالمقبض الأمامي باليد اليسرى، والمقبض الخلفي باليد اليمنى.
- يجب أن تكون الأصابع محيطة بالمقبض، بحيث يكون الإبهام ملتصقاً حول المقبض الأمامي.

تحذير: تجنب الإمسك بالمنشار بقبضة اليد اليسرى (مع تقابل اليدين)، أو اتخاذ أي وضع جسماني قد يجعل جسمك أو ذراعك مقابلاً لخط السلسلة.

تحذير: لا تقم بتشغيل المفتاح الزنبركي بيدك اليسرى، والإمسك بالمقبض الأمامي بيدك اليمنى. لا تسمح أبداً بوجود أي جزء من أجزاء جسمك في طريق حركة السلسلة أثناء تشغيل المنشار (الشكل P2).

على الفور لمنع التلف بفعل الحرارة الزائدة، حرر الزناد وانتظر إلى أن تبرد الآلة أو البطارية الساخنة ويطفئ مؤشر درجة الحرارة المرتفعة، ثم أعد تشغيل الآلة.

أيقونة الفرامل (الشكل M)

تظهر أيقونة الفرامل على شاشة LCD عندما تكون دواسة الفرامل في وضع الفرملة.

سوف تومض أيقونة الفرامل عندما يقوم نظام فرملة السلسلة متعدد الاتجاهات بإيقاف المنشار. راجع الفصل التالي للحصول على معلومات مفصلة.

نظام فرملة السلسلة متعدد الاتجاهات (الشكل N1 والشكل N2)

نظام فرملة السلسلة متعدد الاتجاهات غير معد للاستخدام كبديل لفرملة السلسلة القياسية/التقليدية. يجب ألا يعتمد المستخدم مطلقاً على هذه الخاصية أثناء تشغيل المنشار السلسلي لكي يحمي نفسه من ارتداد المنشار. اتبع دائماً تعليمات السلامة المتعلقة بتخفيف حدة رد فعل المنشار الموجودة في قسم التحذير من هذا الدليل.

عند تفعيل نظام فرملة السلسلة متعدد الاتجاهات وإيقاف المنشار، ستومض أيقونة الفرملة في شاشة LCD (الشكل M). ارفع إصبعك عن المفتاح الزنبركي؛ وأخلع سلسلة المنشار وقضبب التوجيه من الخشب، ثم أعد تشغيل المنشار السلسلي.

ملاحظة: ستترصد المستشعرات الحركة المفاجئة للمنشار في مستوى قضيب التوجيه (الشكل N1) فقط. لن ترصد المستشعرات أي حركة مفاجئة للمنشار على الجانب (الشكل N2) (أي، عمودياً على مستوى قضيب التوجيه).

مستوى إخراج الزيت ومؤشر انخفاض مستوى الزيت (الشكل M).

تقوم الآلة تلقائياً بتزيت السلسلة. يتيح لك هذا المنشار السلسلي تغيير معدل إخراج الزيت مع كل ضغط على زر تليم الزيت.

ملاحظة: لا يمكن تغيير معدل إخراج الزيت إلا عندما تكون سلسلة المنشار غير مشغلة.

سيعرض مستوى إخراج الزيت على شاشة LCD معدل إخراج الزيت الحالي. شريط واحد لمعدل الإخراج المنخفض، وشريطان لمعدل الإخراج المتوسط، وثلاثة أشطر لمعدل الإخراج المرتفع.

اختر معدل إخراج أعلى لسرعة سلسلة أكبر. إذا جفت سلسلة المنشار أثناء العمل، فأوقف المحرك واختر معدل إخراج زيت أعلى.

عندما يكون مستوى الزيت منخفضاً، سيظهر مؤشر انخفاض مستوى الزيت أعلى أشطرة إخراج الزيت على شاشة LCD، ولن يتأخر سوى معدل إخراج منخفض. أوقف المنشار وأعد ملء خزان الزيت باتباع التعليمات في الفصل "تعبئة خزان الزيت بزيت القضيب والسلسلة".

بعد ملء خزان الزيت، قم بتشغيل المنشار لمدة 10 ثوان تقريباً للسماح لنظام التزيت التلقائي ببدء العمل، وحينها سيختفي المؤشر من شاشة LCD.

تنبيه: إذا ظل المؤشر على شاشة LCD بعد تنفيذ الخطوات المذكورة أعلاه، فقد يكون النظام تالفاً. توقف عن استخدام المنشار السلسلي واتصل بأحد مراكز خدمة EGO المعتمدة لإصلاحه.

المصباح الأمامي LED (الشكل O)

M-1	مستوى السرعة	M-7	مستوى تيار الحمل
M-2	أيقونة البلوتوث	M-8	زر المصباح الأمامي/البلوتوث
M-3	أيقونة المصباح الأمامي	M-9	زر تليم الزيت
M-4	أيقونة الفرامل	M-10	نظام تغيير سرعة السلسلة
M-5	مؤشر درجة الحرارة المرتفعة	M-11	مستوى إخراج الزيت
M-6	دائرة مقياس الوقود	M-12	مؤشر انخفاض مستوى الزيت

ملاحظة: عند استخدام مجموعة بطارية EGO بقدرة 4.0 أمبير في الساعة أو أقل، سيكون وضع ECO (اقتصادي) متاحاً فقط. واستخدام مجموعة بطارية EGO بقدرة تقل عن 6.0 أمبير في الساعة لن يتيح لك إمكانية الوصول إلى سرعة عالية. لتحقيق أفضل أداء، نوصي بشدة باستخدام مجموعات بطارية EGO بقدرة 6 أمبير في الساعة (على سبيل المثال، BA3360T) أو أكثر.

ملاحظة: يحتوي المنشار السلسلي على وظيفة ذاكرة سرعة السلسلة. في المرة التالية التي يتم فيها تشغيل المنشار، سيتم تفعيل وضع السرعة المستخدم مسبقاً.

ملاحظة: تضيء شاشة LCD عند الضغط على المفتاح الزنبركي أو عند الضغط على زر تليم الزيت أو زر المصباح الأمامي/البلوتوث. بشكل افتراضي، يتم إيقاف تشغيل شاشة LCD تلقائياً بعد حوالي ثانية واحدة من عدم الاستخدام.

ملاحظة: لن يؤدي الضغط على نظام تغيير سرعة السلسلة إلى تشغيل شاشة LCD.

مستوى التحميل (الشكل M)

يعرض مستوى التحميل الموجود على الجانب الأيمن من شاشة LCD الحمل الحالي على الآلة. كلما زاد عدد الأشرطة كان الحمل أعلى، وكلما قل عدد الأشرطة كان الحمل أقل.

هذه الميزة مخصصة في المقام الأول لمستخدمي المنشار السلسلي الذي يعمل بالغاز، والذي قد لا يكون لديهم "إحساس" بكيفية تصرف المنشار الذي يعمل بالبطارية تحت الأحمال المختلفة. فهي تساعد المستخدمين على مراقبة حمل التشغيل، وذلك لتجنب التشغيل لفترة طويلة تحت الحمل الثقيل، الأمر الذي يمكن أن يجعل المنشار السلسلي يتوقف أثناء التشغيل بسبب ارتفاع درجة حرارته.

مؤشر درجة الحرارة المرتفعة (الشكل M)

يضيء مؤشر درجة الحرارة المرتفعة عندما تتجاوز درجة حرارة الآلة 194 درجة فهرنهايت (90 درجة مئوية) أو تتجاوز درجة حرارة البطارية 158 درجة فهرنهايت (70 درجة مئوية) أثناء التشغيل. ستقوم دائرة الحماية ضد ارتفاع درجة الحرارة بفصل الآلة

مجموعة البطارية لأسفل إلى أن تسمع صوت "نقرة" (الشكل A).

للخلع

اضغط لأسفل على زر تحرير البطارية، واسحب مجموعة البطارية للخارج (الشكل L).

بدء تشغيل/إيقاف المنشار السلسلي

تنبيه: قبل بدء تشغيل المنشار السلسلي، راجع مستوى الزيت، ومدى حدة أسنان المنشار، وأن دواسة فرملة رد الفعل الارتدادي تعمل كما ينبغي. إلى جانب ذلك، لا بد من التحقق من ووقوفك متزاناً ووجود مسافة ملائمة بعيداً عن الأرض.

ليد التشغيل (الشكل K)

1. اسحب دواسة فرملة رد الفعل الارتدادي للسلسلة ناحية المقبض الأمامي إلى وضع التشغيل (الشكل K).
2. أمسك المقبض الأمامي باليد اليسرى والمقبض الخلفي باليد اليمنى بإحكام.

تحذير: لتجنب وقوع إصابات، استخدم دائماً المنشار السلسلي بحيث تمسك اليد اليمنى بمنطقة الإمساك بالمقبض الخلفي (الشكل L).

3. اضغط مع التثبيت على زر القفل بإبهام يدك اليمنى، ثم اعصر المفتاح الزنبركي بإصابع يدك اليمنى لتبدأ تشغيل المنشار (الشكل L).

L-1	منطقة الإمساك
-----	---------------

4. حرر زر القفل، وواصل عصر المفتاح الزنبركي للتشغيل المتواصل.

5. كلما زاد الضغط على المفتاح الزنبركي، زادت سرعة السلسلة. اضبط السرعة بحيث تلائم المهمة التي تقوم بها.

تحذير: لا تحاول بدء تشغيل المنشار بينما سلسلة المنشار يتم استخدامها في قطع قطعة ما.

للإيقاف

1. حرك المنشار السلسلي بعيداً عن أي منطقة قطع، وبعد ذلك حرر المفتاح الزنبركي لإيقاف تشغيل المنشار.
2. ادفع دواسة فرملة رد الفعل الارتدادي للسلسلة للأمام إلى وضع الفرملة لتعشيق فرملة السلسلة (الشكل K).

تحذير: احرص دائماً على خلع مجموعة البطارية من الآلة أثناء فترات الاستراحة وبعد الانتهاء من العمل.

تغيير وضع السرعة (الشكل M)

هذه الآلة مزودة بثلاثة أوضاع للسرعة. كل وضع سرعة يحد من السرعة القصوى للمنشار السلسلي. سيغير وضع السرعة مع كل ضغط على نظام تغيير سرعة السلسلة.

سيعرض مستوى السرعة على شاشة LCD وضع السرعة النشط: شريط واحد للسرعة المنخفضة، وشريطان للسرعة المتوسطة، وثلاثة أشرطة للسرعة العالية. يقدم وضع السرعة المنخفضة (ECO) تحكماً أفضل في الآلة ووقت تشغيل أطول لكل شحنة.

6. أمسك السلسلة في موضعها على قضيب التوجيه، وضع العروة حول الترس المسنن للمنتشر العمودي (الشكل E1).

B-1	صواميل القفل	D-2	تجويف قضيب التوجيه
B-2	برغي شد السلسلة	E-1	الترس المسنن للعمود
D-1	وصلات نقل حركة السلسلة		

ملحقات غير موسى بها قد يؤدي إلى وقوع إصابات شخصية خطيرة.

تحذير: لمنع بدء التشغيل غير المقصود، والذي قد يؤدي إلى وقوع إصابات شخصية خطيرة، احرص دائماً على خلع مجموعة البطارية من الآلة عند تجميع الأجزاء، أو عمل التعديلات، أو التنظيف، أو عند عدم الاستخدام.

قبل كل استخدام، افحص المنتج بأكمله بحثاً عن الأجزاء التالفة أو المفقودة أو المفكوك، مثل المسامير الملولة والصواميل والمسامير والأغطية وما شابه. اربط جميع عناصر التثبيت والأغطية بإحكام، ولا تقم بتشغيل هذا المنتج إلا بعد استبدال جميع الأجزاء المفقودة أو التالفة.

الاستخدامات

يمكنك استخدام هذا المنتج في عمليات إسقاط الأشجار، وقطع الفروع، والتقليم، وقطع الخشب المنثور وخشب الأشجار.

تنبيه: يجب استخدام الآلة في الأغراض المحددة لها فقط. أي استخدام آخر يعد حالة من حالات سوء الاستخدام.

التعبئة بزيت القضب والسلسلة

تحذير: ينبغي عدم التدخين أو جلب أي مصدر للنيرون أو ألسنة اللهب بالقرب من الزيت أو المنتشر السلسلي. قد ينسكب الزيت ويتسبب في نشوب حريق.

تنبيه: المنتشر السلسلي لا يكون مملوئاً بالزيت وقت الشراء. من الضروري تعبئة خزان الزيت قبل الاستخدام. يتم تزييت السلسلة تلقائياً بزيت السلسلة أثناء التشغيل.

1. ضع المنتشر السلسلي على جانبته بحيث يكون غطاء الخزان متجهاً لأعلى.
2. نظف غطاء خزان الزيت والمنطقة المحيطة به لضمان عدم دخول أوساخ إلى داخل خزان الزيت.
3. ارفع اللوح نصف المستدير وأدر غطاء خزان الزيت عكس اتجاه عقارب الساعة لخلعه (الشكل H).
4. صب زيت القضب والسلسلة برفق في الخزان. املا حتى أسفل عنق الملاء.
5. امسح أي كميات زائدة من الزيت، ثم أعد تركيب الغطاء.

تنبيه: افحص مستوى الزيت بانتظام، وأعد الملاء عند هبوط مستوى الزيت إلى ما دون خط الحد الأدنى. لا تقم أبداً بتشغيل المنتشر السلسلي إذا كان الزيت غير مرني.

تركيب/خلع مجموعة البطارية

ملاحظة: تشير دائرة مقياس الوقود الموجودة على شاشة LCD إلى مستوى شحن البطارية (الشكل A1). سوف تومض الدائرة عندما يقترب مستوى شحن البطارية من النفاذ. اشحن مجموعة البطارية تماماً قبل الاستخدام.

لا تستخدم الآلة إلا مع مجموعات بطارية وشواحن EGO المدرجة في الشكل A2.

اشحن البطارية بالكامل قبل الاستخدام لأول مرة.

للتثبيت

قم بمحاذاة دعامات البطارية مع فتحات التركيب، واضغط على

تنبيه: عند لف سلسلة المنتشر على قضيب التوجيه، تأكد من توافق توجيه القاطع مع أيقونة القاطع وسم اتجاه الدوران على الهيكل، بعد تركيب قضيب التوجيه على المنتشر. إذا كانوا في اتجاهات متعاكسة، أعد تجميع سلسلة المنتشر على قضيب التوجيه بحيث تكون القواطع في نفس الاتجاه (الشكل E2).

7. أعد تركيب الغطاء الجانبي على هيكل سلسلة المنتشر، واربط كلتا صامولتي القفل بإحكام.

8. قم بتدوير السلسلة يدوياً للتحقق مما إذا كانت السلسلة مجمعة بشكل صحيح بدون وجود عوقات. وإلا، أعد تجميع السلسلة والقضب.

تنبيه: لتعميد حياة قضيب التوجيه، اعكس القضب من وقت لآخر.

ضبط شد السلسلة

- أوقف المحرك واخلع مجموعة البطارية قبل ضبط شد السلسلة. قم بتدوير برغي شد السلسلة في اتجاه عقارب الساعة أو عكس اتجاه عقارب الساعة لضبط شد السلسلة (الشكل F) إلى أن تستقر السلسلة بشكل متماسك على قضيب التوجيه مع وصلات نقل حركة السلسلة في تجويف قضيب التوجيه.
 - تكون السلسلة وهي باردة مشدودة كما ينبغي عند عدم وجود ارتخاء على الجانب السفلي لقضب التوجيه، والسلسلة متماسكة، ولكن يمكن إدارتها باليد بدون معارفة. تجب إعادة شد السلسلة في أي وقت لا تستقر فيه دوليب وصلات نقل حركة السلسلة على تجويف القضب.
 - أثناء التشغيل العادي للمنتشر، سترتفع درجة حرارة السلسلة. وصلات نقل الحركة للسلسلة الدافئة مضبوطة الشد ستكون مرتخية بحوالي 1.3 مم خارج تجويف القضب (الشكل G).
- تنبيه:** تميل السلاسل الجديدة إلى التمدد؛ وعليه راجع مستوى شد السلسلة بانتظام واضبطها بحسب الحاجة.

تنبيه: السلسلة المشدودة وهي دافئة، قد تصبح مشدودة بشكل زائد عندما تبرد. راجع شد السلسلة وهي باردة قبل الاستخدام التالي.

التشغيل

تحذير: لا تسمح لاعتدائك على تشغيل هذا المنتج أن يجعلك مستهتراً عند التعامل معه. ولا تنس أن الاستئثار لجزء من الثانية كافٍ للتسبب في حدوث إصابات خطيرة.

تحذير: لا تستخدم أي مرفقات أو ملحقات سوى تلك الموصى بها من قبل الشركة الصانعة لهذا المنتج. لأن استخدام مرفقات أو

المواصفات

الوصف

تعرف على المنشار السلسلي (الشكل A1)

1. سلسلة المنشار
2. دواسة فرملة رد الفعل الارتدادي للسلسلة
3. المقبض الأمامي
4. شاشة LCD
5. مستوى السرعة
6. أيقونة البلوتوث
7. أيقونة المصباح الأمامي
8. أيقونة الفرامل
9. مؤشر درجة الحرارة المرتفعة
10. دائرة مقياس الوقود
11. مستوى تيار الحمل
12. مؤشر انخفاض مستوى الزيت
13. زر المصباح الأمامي/البلوتوث
14. زر تقييم الزيت
15. مستوى إخراج الزيت
16. زر القفل
17. المفتاح الزنبركي
18. المقبض الخلفي
19. نظام تغيير سرعة السلسلة
20. زر تحرير البطارية
21. نافذة فحص مستوى الزيت
22. غطاء خزان الزيت
23. قضيب التوجيه
24. فتحة التزييت
25. برغي شد السلسلة
26. الغطاء الجانبي
27. صواميل القفل
28. نوات تقطيع الزند
29. المصباح الأمامي LED
30. غلاف السلسلة
31. مفتاح ربط متعدد

الجهد المقدر	56 فولت	
الحد الأقصى لمرعة السلسلة	30 م/ثانية	
المسافة بين أسنان السلسلة	8.255 مم / 0.325 بوصة	
مقياس السلسلة	1.3 مم	
طول قضيب التوجيه	50 سم	
طراز سلسلة المنشار	AC2035 (موصى به) AC1835, AC1635 (متوافق)	
طراز سلسلة المنشار وقضيب التوجيه	AK2035 (موصى به) AK1835, AK1635 (متوافق)	
سعة خزان زيت السلسلة	250 مل	
الوزن (من دون البطارية، وسلسلة المنشار، وقضيب التوجيه، والغطاء الجانبي، والزيت، وغلاف السلسلة)	4.3 كجم	
درجة حرارة التشغيل الموصى بها	15- 40 درجة مئوية	
درجة حرارة التخزين الموصى بها	20- 70 درجة مئوية	
درجة حرارة الشحن الموصى بها	5 - 40 درجة مئوية	
مستوى قوة الصوت المقدر L_{WA}	102 ديسيبل (A) 2.3=K ديسيبل (A)	
مستوى ضغط الصوت في وضع التشغيل L_{PA}	92 ديسيبل (A) 3=K ديسيبل (A)	
مستوى قوة الصوت المضمون L_{WA} (وفقاً للمعيار 2000/14/EC)	104 ديسيبل (A)	
الاهتزاز a_h	المقبض الأمامي	3.3 م/ثانية ² 1.5=K م/ثانية ²
	المقبض الخلفي	1.74 م/ثانية ² 1.5=K م/ثانية ²

التجميع

تجميع/استبدال القضيب والسلسلة

تحذير: اضبط مقبض فرملة رد الفعل الارتدادي للسلسلة على وضع الفرملة قبل التجميع.

1. ضع رأس طاقة المنشار السلسلي على جانبه بحيث يكون الغطاء الجانبي متجهًا لأعلى (الشكل B).
2. اخلع الغطاء الجانبي عن طريق تدوير صامولتي القفل عكس اتجاه عقارب الساعة.
3. أدر برغي شد السلسلة عكس اتجاه عقارب الساعة لخفض شد السلسلة.
4. ضع سلسلة المنشار في عروة على سطح مستو، وقم بتسوية أي انثناءات (الشكل C).
5. ضع وصلات عمود السلسلة في تجويف قضيب التوجيه، وثبت السلسلة على الجانب الخلفي لقضيب التوجيه (الشكل D).

- القيمة الكلية للاهتزاز الموضحة تم قياسها وفقًا لطريقة اختبار قياسية وقد تستخدم لمقارنة أداة بأخرى؛
- كما يمكن استخدام القيمة الكلية للاهتزاز الموضحة في التقييم التمهيدي للعرض.

تنبيه: قد تختلف انبعاثات الاهتزاز أثناء الاستخدام الفعلي للسلسلة العاملة بالطاقة عن القيمة المعلنة التي يتم استخدام الآلة فيها؛ ولحماية مشغل الآلة، ينبغي على المستخدم ارتداء قفازات وواقيات للأذن في ظروف الاستخدام الفعلية.

قائمة المحتويات (الشكل A1)

احتفظ بجميع التحذيرات والتعليمات للرجوع إليها في المستقبل.

اقرأ جميع التعليمات!

رموز السلامة

تحذير: قد يؤدي تشغيل أي آلة عاملة بالطاقة إلى دخول أي أشياء غريبة في عينيك، وهو ما قد يؤدي إلى إلحاق أضرار خطيرة بالعين. قبل بدء تشغيل الآلة العاملة بالطاقة، احرص دائمًا على ارتداء واقية العينين أو نظارات حماية العينين ذات دروع جانبية، ودرع واقٍ لكامل الوجه عند اللزوم. نوصي بارتداء قناع السلامة واسع الرؤية لاستخدامه فوق نظارات العين أو نظارات السلامة العادية ذات الدروع الجانبية.



تحذير: لضمان السلامة والاعتمادية، يجب تنفيذ جميع أعمال الإصلاح من قبل فني خدمة مؤهل.

تحذير: احرص على قراءة وفهم جميع تعليمات السلامة في دليل التشغيل هذا، بما في ذلك جميع رموز تنبيهات السلامة، مثل "خطر"، و**تحذير**، و**تنبيه** قبل استخدام هذه الآلة. عدم اتباع جميع التعليمات الواردة أدناه قد يؤدي إلى حدوث صدمة كهربائية أو نشوب حريق أو التعرض للإصابة الشخصية، أحدها أو جميعها.

للحد من خطر الإصابة، يجب على المستخدم قراءة وفهم دليل التشغيل قبل استخدام هذا المنتج.



تنبيه سلامة

ارتد أدوات حماية الأذنين



ارتد أدوات حماية العينين



ارتد قفازات الحماية



ارتد أدوات حماية الرأس



رد الفعل الارتدادي لطرف قضيب التوجيه



حاذر من رد الفعل الارتدادي للمنتشار وتجنب ملامسة طرف القضيب



احرص دائمًا على استخدام المنشار السلسلي بكتك يدك



المعلومات عن قضيب التوجيه



لا يجب التخلص من الأجهزة الكهربائية المستهلكة في النفايات المنزلية. توجه بالجهاز إلى مركز إعادة تدوير معتمد.



مستوى قوة الصوت المضمون. انبعاثات الضوضاء في البيئة وفقًا لتوجيه الاتحاد الأوروبي.



هذا المنتج متوافق مع تشريعات المملكة المتحدة المعمول بها.



هذا المنتج متوافق مع توجيهات شهادة الجودة الأوروبية (CE) المعمول بها.



تيار مستمر



البلوتوث®



السرعة بدون حمل n_0

مليمتر mm

في الدقيقة ./min

الحجم الكهربائي V

الحماية ضد نفثات الماء IPX5

ملاحظة: علامة كلمة Bluetooth® وشعاراتها علامات تجارية مسجلة لمملوكة لشركة Bluetooth SIG, Inc.، وأي استخدام لمثل تلك العلامات بواسطة شركة EGO تم بموجب ترخيص.

בעיה	סיבה	פתרון
בלם השרשרת אינו פועל.	<ul style="list-style-type: none"> אשפה מונעת תנועה מלאה של דווש הבלימה לתגובה חזקה לאחר של השרשרת פעולה לא מתאימה אפשרית של בולם השרשרת. 	<ul style="list-style-type: none"> נקו שאריות ממנגנון בולם השרשרת היצוני. צרו קשר עם מחלקת שירות הלקוחות של EGO לתיקונים.
המסור החשמלי אינו חותך כהלכה	<ul style="list-style-type: none"> מתח שרשרת לא מספיק. שרשרת קהה. השרשרת מותקנת הפוך. שרשרת עם סימני בלאי. שרשרת יבשה או מתוחה מעל המידה. השרשרת איננה בחריץ המוט. 	<ul style="list-style-type: none"> כווננו מחדש את מתח השרשרת בהתאם לחלקי: „כוונן מתח השרשרת”. חדדו את השרשרת. הרכיבו מחדש את שרשרת המסור, בהתאם לסעיף „הרכבת/החלפת המוט והשרשרת”. התקינו מחדש את השרשרת, כאשר את עוקבים אחר: „הרכבה/החלפה של המוט והשרשרת”. בדקו את רמת השמן. מלאו מחדש את מכל השמן ובחרו נפח אספקת שמן גבוה יותר במידת הצורך. התקינו מחדש את שרשרת המסור, כאשר את עוקבים אחר: „הרכבה/החלפה של המוט והשרשרת”.
השרשרת נהיית רופפת ונופלת מעל המוט המנחה במהלך שימוש רגיל.	<ul style="list-style-type: none"> השרשרת מתרופפת כאשר טמפרטורת המסור עולה, בעת פעולה רגילה של המסור. השרשרת אינה מניעה את גלגל השיניים. 	<ul style="list-style-type: none"> התאימו את מתח השרשרת, בהתאם לסעיף „התאמת מתח השרשרת”. התקינו מחדש את שרשרת המסור, כאשר את עוקבים אחר: „הרכבה/החלפה של המוט והשרשרת”.
המוט והשרשרת מתחממים ומעלים עשן.	<ul style="list-style-type: none"> אם מחוון כמות שמן נמוכה מופיע במסך ה-LCD, מיכל שמן השרשרת ריק. אשפה בחריץ הפס המנחה. 	<ul style="list-style-type: none"> בדקו את רמת השמן. מלאו שוב את מיכל השמן אם יש צורך בכך. נקו פסולת מהחריץ.
מחוון כמות שמן נמוכה מופיע על מסך ה-DCL למרות שיש מספיק שמן במכל השמן. או אפילו כאשר כמות השמן במכל נמוכה מסך ה-DCL אינו מציג את מחוון כמות השמן הנמוכה.	<ul style="list-style-type: none"> רכיב זיהוי מפלס השמן עדיין לא זיהה את מפלס השמן האמיתי בגלל שאריות שמן או אוויר בצינורית השמן. כשל ברכיב זיהוי מפלס השמן. 	<ul style="list-style-type: none"> המתן מספר דקות עד לניקוז כל שאריות השמן והאוויר מצינורית השמן.

אחריות

מדיניות האחריות של EGO

ניתן לבקר באתר egopowerplus.eu כדי לעיין בתנאים וההתניות המלאים של מדיניות האחריות של EGO.

איתור וטיפול בבעיות

⚠ אזהרה: הגנו תמיד על הידיים שלך על ידי לבישת כפפות מוצקות בעת ביצוע כל פעולת תחזוקה במסור החשמלי. הסירו תמיד את מארז הסוללה בעת ביצוע תיקונים או הובלה של המסור החשמלי.

בעיה	סיבה	פתרון
המנוע אינו מתחיל את פעולתו.	<ul style="list-style-type: none"> מארז הסוללה אינו צמוד למסור החשמלי. אין חיבור חשמלי בין המסור ומארז הסוללה. אם עיגול מד הדלק במסך ה-LCD מהבהב, מארז הסוללות ריק. אם מחוון הטמפרטורה הגבוהה מופיע על מסך ה-LCD, מארז הסוללות או מסור השרשרת חמים מדי. אם סמל בלם השרשרת מופיע במסך DCU, בלם השרשרת מופעל. פסולת בחריץ המוט. אשפה במכסה הצדדי. 	<ul style="list-style-type: none"> הצמידו את מארז הסוללה אל המסור החשמלי. הסירו את מארז הסוללה, בדקו את החיבורים והתקינו מחדש את מארז הסוללה. הטעינו את מארז הסוללה. אפשרו למארז הסוללה או למסור החשמלי להתקרר עד לטמפרטורה של פחות מ-67°C. משכו את דוושת הבלימה לתגובה חזקה לאחר של השרשרת לאחור אל עבר הידית הקדמית כאשר אתם מגיעים אל עמדת הפעלה. לחצו על המסור החשמלי אל עבר העץ, היזו את המסור החשמלי קדימה ואחורה על מנת להיפטר מחלקי אשפה. הסירו את מארז הסוללה, לאחר מכן הסירו את המכסה הצדדי ונקו את חלקי האשפה.
לא ניתן לשנות את מצב המהירות.	<ul style="list-style-type: none"> מחלף המהירות השרשרת נתקע כתוצאה מפסולת. 	<ul style="list-style-type: none"> נקה את הפסולת סביב מחלף מהירות השרשרת.
מסור השרשרת מפסיק לפעול באופן בלתי צפוי במהלך פעולתו.	<ul style="list-style-type: none"> ישנו עומס יתר של המסור החשמלי. אם מחוון הטמפרטורה הגבוהה מופיע על מסך ה-LCD, מארז הסוללות או מסור השרשרת חמים מדי. המסור הטלסקופי כפות בעץ. אם סמל בולם השרשרת מהבהב במסך ה-LCD, מערכת בלם השרשרת הרב כיווני עוצרת את המסור. 	<ul style="list-style-type: none"> הורידו את העומס. אפשרו למארז הסוללה או למסור החשמלי להתקרר עד לטמפרטורה של פחות מ-67°C. שחררו את מתג ההדק; הסירו את המסור החשמלי אות המוט המנחה מן העץ ולאחר מכן הפעילו מחדש את המסור החשמלי. שחררו את מתג ההדק; הסירו את המסור החשמלי אות המוט המנחה מן העץ ולאחר מכן הפעילו מחדש את המסור החשמלי.
המנוע פועל אך השרשרת איננה מסתובבת.	<ul style="list-style-type: none"> השרשרת אינה מניעה את גלגל השיניים. 	<ul style="list-style-type: none"> התקינו מחדש את השרשרת, כאשר את מודאים שקישורי ההנעה על השרשרת ישובים על גלגל השיניים.

כאשר המוט המנחה מראה סימני בלאי, פרקו אותו מראש המתח של המסור החשמלי וסובבו אותו להרכבה מחדש (איור X1). באופן זה הבלאי יתחלק כדי למקסם את חיי המוט המנחה.

יש לנקות את המוט בכל יום שימוש ולבדוק האם יש עליו סימני בלאי או נזק (איור X2). רפידה או שרפה של מסילות המוט מהווים סימני בלאי נורמליים. כאשר אלו מתרחשים חש לשייף אותם בעזרת פצירה. יש להחליף מוט בעל אחד מן הליקויים הבאים.

- סימני בלאי בתוך מסילות המאפשר לשרשרת לעבור מעבר לצדדים.
- מוט מנחה מעוקל.
- מסילות סדוקות או שבורות.
- מסילות אשר התרחבו.

בנוסף, למוט המנחה ישנו גלגל שיניים בקצהו (איור X3).

יש לשמן את גלגל השיניים מדי שבוע באמצעות מזרק חומר סיכה על מנת להאריך את חיי הפס המנחה. השתמשו במזרק שמן סיכה על מנת לשמן את השרשרת פעם בשבוע דרך חור השימון (איור W4). הפכו את הפס המנחה ובדקו שחורי השימון והשרשרת נקיים מחלקיקי אשפה.

X-1	מסילות מוט	X-3	חור שימון
X-2	גלגל שיניים בקצה המוט המנחה		

הודעה: השתמשו בחומרי סיכה מורשים של EGO לקבלת התוצאות הטובות ביותר.

הובלה ואחסון

אל תאחסנו או תובילו את המסור החשמלי כאשר הוא פועל. הסירו תמיד את מארז הסוללה בעת אחסון או הובלה.

הניחו תמיד את נדן המוט המנחה על המוט המנחה והשרשרת לפני אחסון או הובלה של המסור החשמלי. היו זהירים והימנעו ממגע עם השיניים החדות של השרשרת.

נקו את המסור החשמלי ביסודיות לפני אחסונו. אחסנו את המסור החשמלי בתוך הבית, במקום יבש אשר רחוק מהישג ידם של ילדים.

הרחיקו מחומרים הגורמים לקורוזיה כגון כימיקלים לגינה ומלחים מסירי קרח.

הגנה על הסביבה

אין לזרוק ציוד חשמלי, מטעני סוללות וסוללות ביחד עם אשפה ביתית!

קחו מוצרים אלו למרכז מחזור מוסמך ו-וודאו שהם זמינים לאיסוף נפרד. יש להחזיר כלים חשמליים אל מתקן מחזור



לכיוון הנפילה כמתואר באיור S. בצעו את חתך הקשר האופקי הנמוך יותר תחילה. הדבר יעזור למנוע צביטה של שרשרת המסור או של המוט המנחה כאשר מבצעים את הקשר השני.

S-1	כיוון הנפילה	S-3	חתך כריתה אחורית
S-2	חריץ	S-4	ציר

חתך כריתה אחורית

- בצעו את חתך הכריתה האחורית לפחות 50 מ"מ גבוה יותר מחתך הקשר האופקי הנמוך כמתואר באיור S. שימרו על חתך הכריתה האחורית במקביל לחתך הקשר האופקי. בצעו את חתך הכריתה האחורית כך שיישאר מספיק עץ על מנת שימש כציר. עץ הציר שומר על העץ מלהתפתל וליפול בכיוון הלא נכון. אין לחתוך דרך הציר.
- ככל שהכריתה מתקרבת אל הציר, העץ אמור להתחיל את נפילתו. אם ישנו כל סיכוי שהעץ לא ייפול בכיוון הנכון או שהוא יחזור וילפף את שרשרת המסור, עצרו את החיתוך לפני השלמת חתך הכריתה האחורית והשתמשו בטרזיזי עץ, פלסטיק או אלומיניום על מנת לפתוח את החתך ולהפיל את העץ לאורך קו הנפילה הרצוי.
- כאשר העץ מתחיל ליפול, הוציאו את המסור החשמלי מן החתך, הניחו אותו על הקרקע ולאחר מכן השתמשו בנתיב הבריחה המתוכנן. היו זהירים מפני ענפים נופלים והביטו על הקרקע עליה אתם דורכים.

שיסוע של עץ

שיסוע פירושו הסרת ענפים מעץ שנפל. בעת השיסוע השאירו ענפים נמוכים גדולים יותר על מנת לתמוך בהרמת בול העץ מן הקרקע. הסירו את הענפים הקטנים יותר בחתך אחד כמתואר באיור T. יש לחתוך ענפים מתוחים מן החלק התחתון כלפי מעלה על מנת למנוע ליפוף של שרשרת המסור.

חלוקה של בול עץ

החלוקה היא חיתוך בול עץ לחלקי אורך. חשוב לוודא שהעמידה שלכם יציבה והמשקל מאוזן על שתי הרגליים. כאשר ניתן, יש להרים את בול העץ ולתמוך בו על ידי שימוש בענפים, בולי עץ אחרים או טריזים. עקבו אחר הוראות פשוטות לחיתוך קל.

כאשר בול העץ נתמך לכל אורכו כמתואר באיור U1, יש לחתוך אותו מן החלק העליון (חלוקה עליונה).

כאשר בול העץ נתמך מצד אחד בלבד כמתואר באיור U2, חתכו 1/3 מקוטר בול העץ מן החלק התחתון (חלוקה תחתונה). לאחר מכן בצעו חלוקה עליונה על מנת להפגיש בין החתכים.

כאשר בול העץ נתמך משני הצדדים כמתואר באיור U3, חתכו 1/3 מקוטר בול העץ מן החלק העליון (חלוקה עליונה). לאחר מכן בצעו את החיתוך הסופי על ידי ביצוע חלוקה תחתונה של 2/3 התחתונים על מנת להפגיש בין החתכים.

בעת ביצוע חלוקה על גבי מדרון, עמדו תמיד במעלה בול העץ, כמתואר באיור V.

בעת "חיתוך דרך", על מנת לשמור על שליטה מלאה, שחררו את לחץ החיתוך קרוב לסיום החתך מבלי להרגיע את האחיזה שלכם בידיעות המסור החשמלי. אל תיתנו שרשרת לבוא במגע עם הקרקע. לאחר השלמת החתך, חכו ששרשרת המסור תעצור את פעולתה לפני הזזת המסור החשמלי. עצרו תמיד את המנוע כאשר אתם נעים מעץ לעץ.

תחזוקה

⚠ אזהרה: במקרה של עבודות תיקון, השתמש רק בחלקי חילוף זהים. שימוש בחלקי חילוף אחרים עלול לגרום לסכנה או נזק למוצר. כדי להבטיח בטיחות ואמינות, יש לבצע את כל התיקונים וההחלפות בעזרת טכנאי שירות מוסמך.

⚠ אזהרה: על מנת למנוע פציעות אישיות, הסירו תמיד את מארז הסוללה מן המוצר לפני כל בדיקה, ניקיון או ביצוע של עבודת תחזוקה. כל המונע על ידי סוללות עם הסוללה מוחדרת הוא כלי שתמיד מוכן לפעולה והפעלה מקרית עלולה להתרחש.

⚠ אזהרה: בעת ניקיון המסור החשמלי, נא לא להטביל במים או בנוזלים אחרים.

⚠ אזהרה: לעולם אל תיתנו לנוזלי בלימה, בנזין, מוצרים מבוססי בנזין, שמנים וכו', לבוא במגע עם חלקי פלסטיק. חומרים כימיים עלולים להזיק, להחליש או להרוס את הפלסטיק והדבר עלול לגרום לפגיעה אישית חמורה.

ניקיון

- לאחר כל שימוש נקו את השאריות מן השרשרת והמוט המנחה עם מברשת רכה. נגבו את שטח שרשרת המסור על מטלית נקייה אשר הוטבלה בתמיסת סבון עדינה.
- הסירו את המכסה הצדדי ולאחר מכן השתמשו במברשת רכה על מנת להסיר שאריות מן הפס המנחה, שרשרת המסור והמכסה הצדדי.
- הסירו את הכיסוי התחתון בערך כל 8 שעות של הפעלה, ולאחר מכן השתמשו במברשת רכה כדי להסיר לכלוך בתוך המכונה ועל המכסה (איור W).
- נקו תמיד שאריות ענפים ועץ, נסורת ולכלוך מחריץ הפס המנחה בעת החלפת שרשרת המסור.

תחזוקה של הפס המנחה

וחיתוך בהצלבה

⚠ אזהרה: היו תמיד בטוחים בעמידה שלכם והחזיקו את המסור החשמלי בשתי הידיים בעת פעולת המנוע.

⚠ אזהרה: כאשר שרשרת המסור נעצרת כתוצאה מצביטה בעת החיתוך, שחררו את מתג ההדק; הסירו את המסור החשמלי אות המוט המנחה מן העץ ולאחר מכן הפעילו מחדש את המסור החשמלי.

⚠ אזהרה: אל תמשכו את שרשרת המסור בידיים שלכם כאשר נסורת תוחמת אותה. פציעה חמורה עלולה להתרחש אם המסור החשמלי יתחיל לפעול באופן מקרי. לחצו על המסור החשמלי אל עבר העץ, היזו את המסור החשמלי קדימה ואחורה על מנת להיפטר מחלקי אשפה. הסירו תמיד את הארז הסוללה לפני ניקיון. לבשו כפפות כבדות בעת הטיפול בשרשרת המסור.

⚠ אזהרה: לעולם אין להפעיל את המסור החשמלי כאשר הוא נמצא במגע עם העץ. הרשו תמיד לשרשרת להגיע למהירות המרבית לפני הנחת המסור על העץ.

כריתה של עץ

- בעת ביצוע פעולות כריתה וחלוקה אשר מתבצעות על ידי שני אנשים בו זמנית, על פעולת הכריתה להיות נפרדת מפעולת ההרמה במרחק של לפחות שני אורכים של העץ אותו עומדים לכרות. אין לכרות עצים בכל דרך בה אנשים אחרים מועמדים בסכנה או נזק עלול להיגרם לחוטי חשמל או לכל רכוש אחר. אם עץ בא במגע עם קווי מתח, יש להודיע על כך מיד לחברת החשמל.
- על מפעיל המסור החשמלי לעמוד בצד העליון של כל אזור חיתוך, בגלל שכול העץ עלול להתגלגל או לגלוש במורד מדרון לאחר כריתתו.
- יש לתכנן ולפנות נתיב בריחה כנדרש לפני התחלת החיתוך. על נתיב הבריחה להיות מורחב לאחור ובאלכסון מן הקו הצפוי של הנפילה כמתואר באיור R.

R-1	כיוון הכריתה
R-2	נתיב בריחה בטוח

- לפני התחלת הכריתה, קחו בחשבון את ההטיה הטבעית של העץ, המיקום של ענפים גדולים יותר וכיוון הרוח על מנת להחליט לאיזה כיוון ייפול העץ.
- הסירו אבק, אבנים, קליפות עץ שנפלו, מסמרים, מהדקים וחוטמים מן העץ.

חתך תחת עם קשרים

עשו את הקשר 1/3 מן הקוטר של העץ, במצב ניצב

O-1	סמל פנס קדמי בהירות נמוכה	O-3	פנס לד קדמי
O-2	סמל פנס קדמי בהירות גבוהה		

טכנולוגיית תקשורת

למידע או עבור המגוון המלא של המוצרים והשירותים המחוברים שלנו, כולל הוראות חיבור, אנא סרקו את קוד ה-QR למטה או בקרו בכתובת www.egopowerplus.eu/connect



אחיזה נכונה של הידיות (איור P1)

- לבשו כפפות לא מחליקות לאחיזה והגנה מקסימליות.
- כאשר המסור נמצא על משטח מוצק ושטוח, החזיקו את המסור בשתי הידיים.
- איחזו תמיד את הידית הקדמית עם היד השמאלית ואת הידית האחורית עם היד הימנית.
- על האצבעות להקיף את הידית, עם האגודל מלופף סביב הידית הקדמית.

⚠ אזהרה: לעולם אין לאחוז באחיזה הפוכה (ימין במקום שמאל), או בכל אחיזה אחרת אשר תעמיד את הידיים או את חלקי הגוף שלכם בקו השרשרת.

⚠ אזהרה: אין להפעיל את מתג ההדק עם היד השמאלית שלכם ולאחוז את הידית הקדמית עם היד הימנית שלכם. לעולם אל תניחו לחלק כלשהו של הגוף שלכם להיות בקו השרשרת בעת ההפעלה של המסור החשמלי (איור P2).

עמדת חיתוך מתאימה (איור Q)

- על שתי הרגליים להיות על קרקע מוצקה, כאשר המשקל מאוזן על שתיהן.
- על הזרוע הימנית להיות ישרה, עם המרפק נעול. הדר עוזר לעמוד בפני הכוחות של התגובה החזקה לאחר.
- על הגוף שלכם להיות תמיד מן הצד השמאלי של המסור החשמלי.

הוראות בנוגע לטכניקות המתאימות לכריתה, שיוע

הערה: מסך ה-LCD נדלק כאשר לוחצים על מתג ההדק או כאשר לוחצים על לחצן הזנת השמן או לחצן הפנס/Bluetooth. כברירת מחדל, מסך ה-LCD נכבה באופן אוטומטי לאחר כשניה אחת של חוסר פעילות.

הערה: לחיצה על מחלף מהירות השרשרת לא תפעיל את מסך ה-LCD.

רמת עומס (איור M)

רמת העומס בצד ימין של מסך ה-LCD מציגה את העומס הנוכחי על המכשיר. מספר הפסים הגבוה יותר מציין את העומס הגבוה יותר ומספר הפסים הנמוך יותר מציין את העומס הנמוך יותר.

תכונה זו מיועדת בעיקר למשתמשים עם ניסיון בשימוש במסורי שרשרת המופעלים באמצעות גז שאולי אין להם את "התחושה" כיצד המסור המופעל באמצעות סוללה מתנהג תחת עומסים שונים. היא עוזרת למשתמשים לנטר את עומס העבודה כדי למנוע פעולה ממושכת תחת עומס כבד, אשר יכולה לגרום למסור השרשרת לעצור במהלך הפעולה בגלל התחממות יתר.

מחווון טמפרטורה גבוהה (איור M)

מחווון הטמפרטורה הגבוהה נדלק כאשר טמפרטורת המכשיר עולה על 90° צלזיוס (194° פרנהייט) או כאשר טמפרטורת הסוללה עולה על 70° צלזיוס (158° פרנהייט) במהלך הפעולה. מעגל הגנת הטמפרטורה יכבה מיד את המכשיר כדי למנוע נזקי התחממות יתר. שחרור את ההדק והמתניו עד שהמכשיר או הסוללה המחוממים יתר על המידה יתקררו ומחווון הטמפרטורה הגבוהה יכבה, ולאחר מכן הפעילו מחדש את המכשיר.

סמל הבלם (איור M)

סמל הבלם מופיע במסך LCD כאשר דוושת הבלם נמצאת במצב בלימה.

סמל הבלם יבהבה כאשר מערכת בולם השרשרת הרב כיווני עוצרת את המסור. עיין בפרק הבא לקבלת מידע מפורט.

מערכת בולם שרשרת רב כיווני (איור N1 ואיור N2)

מערכת בולם השרשרת הרב כיווני אינה מיועדת לפעול כתחליף לבולם השרשרת הסטנדרט/המסורת. על המשתמש להימנע מלסמוך על תכונה זו במהלך הפעלת המסור החשמלי כדי להגן מפי הדף. יש לציית תמיד להוראות הבטיחות הקשורות להפחתת ההדף המופיעות בסעיף האזהרות במדריך זה.

כאשר מערכת בולם השרשרת הרב כיווני מופעלת ועוצרת את המסור, סמל הבלם יבהבה על מסך ה-LCD (איור M). שחררו את מתג ההדק, הסירו את המסור החשמלי את המוט המנחה מן העץ ולאחר מכן הפעילו מחדש את המסור החשמלי.

הערה: החיישן יזהה רק תנועה מיידית של המסור במישור של המוט המנחה (איור N1). חיישנים אלה לא יזהו כל תנועה פתאומית של המסור לצדדים (איור N2) (כלומר בניצב למישור של המוט המנחה).

רמת תפוקת שמן ומחווון כמות שמן נמוכה (איור M)

המכונה משמנת את השרשרת, באופן אוטומטי. מסור שרשרת זה מאפשר לכם לשנות את קצב תפוקת השמן בכל לחיצה על לחצן הזנת השמן.

הערה: ניתן לשנות את קצב תפוקת השמן רק כאשר שרשרת המסור אינה פועלת.

רמת תפוקת השמן במסך ה-LCD תציג את קצב תפוקת השמן. פס אחד לקצב תפוקה נמוך, שני פסים לקצב תפוקה בינוני ושלושה פסים לקצב תפוקה גבוה.

בחרו קצב תפוקה גבוה יותר לקבלת מהירות שרשרת גבוהה יותר. אם שרשרת המסור מתייבשת במהלך העבודה, יש לעצור את המנוע ולבחור בקצב תפוקת שמן גבוה יותר.

כאשר רמת השמן נמוכה, מחווון כמות השמן הנמוכה מעל פסי תפוקת השמן יופיע על מסך ה-LCD ורק שיעור תפוקה נמוך יהיה זמין. עצרו את מסור השרשרת ומלאו מחדש את מיכל השמן בהתאם להוראות בפרק **מיילי מיכל שמן בחומר סיכה למוט ושרשרת**.

לאחר מיילי מיכל השמן, הפעילו את מסור השרשרת למשך כ-10 שניות כדי לאפשר למערכת השימון האוטומטית להתחיל לעבוד והמחווון יעלם ממסך ה-LCD.

הודעה: אם המחווון עדיין מופיע על מסך ה-LCD לאחר ביצוע השלבים לעיל, ייתכן שהמערכת פגומה. יש להפסיק את השימוש במסור השרשרת ולפנות למרכז שירות מורשה של EGO לצורך תיקון.

פנס לד קדמי (איור O)

פנס הליד ממוקם בחלק הקדמי של ראש המתח של התא. הפנס מספק תאורה להגברת הראות וכולל 2 רמות בהירות.

כדי להדליק את הפנסים הקדמיים, לחצו על כפתור הפנס/Bluetooth (איור M) פעם אחת. הפנס יידלק ברמת בהירות נמוכה וסמל הפנס הקדמי בבהירות נמוכה יופיע על מסך ה-LCD. לחצו שוב על כפתור הפנס/Bluetooth כדי לעבור לרמת בהירות גבוהה וסמל הפנס הקדמי בבהירות גבוהה יופיע על מסך ה-LCD.

כדי לכבות את הפנס, לחצו על לחצן הפנס/Bluetooth בפעם השלישית וסמל הפנס יעלם ממסך ה-LCD.

⚠ אזהרה: אל תנסו להפעיל את המסור כאשר המסור החשמלי כבר נמצא בפעולת חיתוך.

לכיבוי

1. הרחיקו את מסור השרשרת מאזור החיתוך, ולאחר מכן שחררו את מתג ההדק כדי להפסיק את פעולתו של מסור השרשרת.
2. דחפו את דושת הבלימה לתגובה חזקה לאחר של השרשרת לעמדת הבלימה על מנת להפעיל את בלם המסור (איור K).

⚠ אזהרה: הסירו תמיד את מארז הסוללה מן המכשיר בעת הפסקות ולאחר סיום העבודה.

שינוי מצב מהירות (איור M)

המכשיר כולל שלושה מצבי מהירות. כל מצב מהירות מגביל את המהירות המרבית של מסור השרשרת. מצב המהירות ישנתה עם כל לחיצה על מחלף מהירות השרשרת.

רמת המהירות במסך ה-LCD תציג את מצב המהירות הפעיל: פס אחד למהירות נמוכה, שני פסים למהירות בינונית ושלושה פסים למהירות גבוהה. טווח המהירות הנמוך (ECO) מספק שליטה טובה יותר על המכשיר וזמן פעולה ארוך יותר עם כל טעינה.

M-1	רמת מהירות	M-7	רמת זרם עומס
M-2	אייקון Bluetooth	M-8	לחצן פנס קדמי/Bluetooth
M-3	אייקון פנס קדמי	M-9	לחצן הזנת שמן
M-4	אייקון בלם	M-10	מחלף מהירות שרשרת
M-5	מחווני טמפרטורה גבוהה	M-11	רמת תפוקת שמן
M-6	מעגל מד דלק	M-12	מחווני כמות שמן נמוכה

הערה: כשמשתמשים במארז סוללת EGO המדורגת 4.0Ah או פחות, רק המצב ECO זמין. ושימוש במארז הסוללה EGO המדורגת פחות מ-6.0Ah לא יאפשר לכם להשיג מהירות גבוהה. לביצועים מיטביים, אנו ממליצים להשתמש במארזי סוללה EGO של 6.0Ah (כגון BA3360T), או יותר.

הערה: מסור השרשרת כולל פונקציית זיכרון מהירות שרשרת. בפעם הבאה שמסור השרשרת יופעל, מצב המהירות שהיה בשימוש בפעם האחרונה יופעל.

לעולם אל תפעילו את המסור החשמלי אם לא ניתן לראות את השמן.

הצמדה/הסרה של מארז הסוללה

הערה: עיגול מד הדלק במסך ה-LCD מציין את רמת טעינת הסוללה (איור A1). העיגול יבהבה כאשר טעינת הסוללה כמעט לריקה. הטעינה לגמרי את מארז הסוללה לפני השימוש הראשוני.

יש להשתמש רק במארזי הסוללה והמטענים של EGO המפורטים באיור A2.

יש לבצע הטענה מלאה לפני השימוש הראשון.

על מנת להצמיד

יישרו את ערוקי הסוללה עם חריצי ההרכבה ולחצו את מארז הסוללה כלפי מטה עד הישמע "קליק" (איור I).

הסרה

לחצו על כפתור שחרור הסוללה והוציאו את מארז הסוללה (איור J).

הפעלה/כיבוי של המסור החשמלי

הודעה: לפני הפעלה של המסור החשמלי, בדקו את רמת השמן. את חדות שיני השרשרת ועבודה מתאימה של דושת הבלימה לתגובה חזקה לאחר. בנוסף, יש צורך בעמידה מוצקה והרחק מתאים מן הקרקע.

על מנת להתחיל (איור K)

1. משכו את דושת בלם התגובה החזקה לאחר של השרשרת אל עבר הידיית הקדמית אל עמדת ההפעלה (איור K).
2. אייזו בחוזקה את הידיית הקדמית עם היד השמאלית ואת הידיית האחורית עם היד הימנית.

⚠ אזהרה: כדי למנוע פציעה, השתמש תמיד במסור השרשרת כאשר יד ימין אוחזת באזור האחיזה של הידיית האחורית (איור L).

3. לחצו והחזיקו את כפתור הנעילה בעזרת האגודל של יד ימין ולאחר מכן לחצו על מתג ההדק בעזרת אצבעות היד הימנית שלכם על מנת להפעיל את המסור.

L-1	אזור אחיזה
-----	------------

4. שחררו את כפתור הנעילה והמשיכו ללחוץ על המתג להפעלה ממושכת.
5. ככל שמתג ההדק לחוץ יותר, כך מהירות השרשרת גדולה יותר. התאימו את המהירות כך שתתאים למשימה הנוכחית.

לפני השימוש.

הפעלה

⚠ אזהרה: אל תניח לעובדה שאתה מכיר את המוצר להפוך אותך לפחות זהיר. זכור שחוסר זהירות של שבריר אחד של שנייה מספיק כדי לגרום לפציעה אישית חמורה.

⚠ אזהרה: אין לעשות שימוש בחיבורים או אביזרים אשר לא הומלצו על ידי יצרן מוצר זה. השימוש בחיבורים או אביזרים אשר לא הומלצו עלול לגרום לפציעה חמורה.

⚠ אזהרה: על מנת למנוע הפעלה מקרית אשר עלולה להוביל לפציעה אישית חמורה, הסירו תמיד את מארז הסוללה מן המכשיר בעת הרכבת חלקים, ביצוע התאמות, ניקיון או כאשר המכשיר איננו נמצא בשימוש.

לפני כל שימוש, יש לבדוק את כל המוצר עבור חלקים ניזוקים, משוחררים או חסרים, כגון ברגים, אומים, בריחים, מכסים וכו'. הדקו בבטחה את כל האבזמים והמכסים ואל תפעילו את המוצר עד אשר חלקים חסרים או ניזוקים תוקנו או הוחלפו.

יישומים

ניתן להשתמש במכשיר זה לכרייתה בסיטית, שיסוע, גיזום וחייתך של עץ ועצים.

הודעה: יש להשתמש במכשיר רק עבור המטרות להן הוא יועד. כל שימוש אחר ייחשב לשימוש בלתי הולם.

מילוי ושימון השרשרת

⚠ אזהרה: נא לא לעשן או לגרום לאש או להבה ליד שמן המסור החשמלי. שמן שנשפך עלול לגרום לשרפה.

הודעה: בעת הרכישה המסור החשמלי איננו מלא בשמן. חשוב מאוד למלא את מיכל השמן לפני השימוש. השרשרת משומנת באופן אוטומטי עם שמן שרשרת בעת ההפעלה.

1. הניחו את המסור החשמלי על צידו כאשר מכסה המכל פונה כלפי מעלה.
2. נקו את מיכל השמן ואת האזור סביבו כדי להבטיח שלא ייכנס לכלוך לתוך מיכל השמן.
3. הרימו את הלוחית בצורת חצי עיגול וסובבו את מכסה מיכל השמן נגד כיוון השעון כדי להסירו (איור H).
4. מזגו בהירות את שמן המוט והשרשרת לתוך המיכל. מלאו עד לחלק התחתון של צוואר המילוי.
5. נקו כל שמן אשר נשפך והניחו מחדש את המכסה.

הודעה: בדקו את מפלס השמן באופן קבוע ומלאו אותו כאשר מפלס השמן יורד אל מתחת לסימון קו המינימום.

5. הניחו את קישורי ההנעה של השרשרת אל חריץ המוט המנחה ועשו מן השרשרת לולאה בצידו האחורי של המוט המנחה (איור D).

6. החזיקו את השרשרת במקומה על גבי המוט המנחה ומקמו את הלולאה מסביב לגלגל השיניים של המסור (איור E1).

B-1	אומי נעילה	D-2	חריץ הפס המנחה
B-2	בורג מתיחת שרשרת	E-1	גלגל שיניים מניע
D-1	קישורי הנעת השרשרת		

הודעה: כאשר מעבירים את מסור השרשרת בלולאה אל המוט המנחה, וודאו כי לאחר הרכבת המוט המנחה על המסור אתם מתאמים את כיוון החותך עם חץ כיוון הסיבוב על המארז. אם הם פונים בכיוונים מנוגדים, הרכיבו מחדש את שרשרת המסור על הפס המנחה כשהלהבים פונים לאותו כיוון (איור E2).

7. הניחו חזרה את המכסה הצדדי והדקו לגמרי את שני אומי הנעילה עבור מתח השרשרת.

8. סובבו את השרשרת באופן ידני כדי לבדוק אם היא מורכבת כהלכה ללא כפייתה. אחרת, הרכיבו מחדש את השרשרת והמוט.

הודעה: על מנת להאריך את חיי המוט המנחה, הפכו אותו מעת לעת.

כוונון מתח השרשרת

- עצרו את המנוע והסירו את מארז הסוללה לפני כונון מתח השרשרת. סובב את בורג מתיחת השרשרת בכיוון השעון או נגד כיוון השעון כדי לכוונון את מתח השרשרת (איור F) עד שהשרשרת מתיישבת בחוזקה כנגד המוט המנחה עם חוליות ההנעה בחריץ המוט המנחה.
- שרשרת קרה מתוחה כראוי כאשר אין שום חלק רפוי בחלק התחתון של המוט המנחה והשרשרת מהודקת, אך ניתן לסובב אותה ביד מבלי לגרום לליפוף. יש למתוח מחדש את השרשרת כאשר המשטחים על קישורי ההנעה אינם יושבים בתוך חריץ המוט.
- בעת פעולה רגילה של המסור, טמפרטורת המסור תעלה. קישורי ההנעה של שרשרת חמה המתוחה כהלכה יהיו תלולים בערך 1.3 מ"מ מחוץ לחריץ המוט (איור G).

הודעה: שרשראות חדשות נוטות להימתח; בדקו את מתח השרשרת בתדירות גבוהה ומתחו בעת הצורך.

הודעה: שרשרת אשר נמתחה בעודה עלולה להיות מתוחה מדי כאשר היא נתקרת. בדקו את המתח הקר

רשימת אריזה (איור A1)

מפרטים

- ### תיאור
- הכירו את המסור החשמלי שלכם (איור A1)
1. שרשרת מסור
 2. דוושית הבלימה לתגובה חזקה לאחור של השרשרת
 3. ידית קדמית
 4. מסך LCD
 5. רמת מהירות
 6. אייקון Bluetooth
 7. אייקון פנס קדמי
 8. אייקון בלם
 9. מחוון טמפרטורה גבוהה
 10. מעגל מד דלק
 11. רמת זרם עומס
 12. מחוון כמות שמן נמוכה
 13. לחצן פנס קדמי/Bluetooth
 14. לחצן הזנת שמן
 15. רמת תפוקת שמן
 16. כפתור נעילה
 17. מתג הדק
 18. ידית אחורית
 19. מחלף מהירות שרשרת
 20. כפתור שחרור הסוללה
 21. חלון בדיקת שמן
 22. מכסה מיכל שמן
 23. מוט מנחה
 24. חור שימון
 25. בורג מתיחת שרשרת
 26. מכסה צדדי
 27. אומי נעילה
 28. קוצים דוקרנים
 29. פנס לד קדמי
 30. נדן שרשרת
 31. מברג משולב

מתח מדורג	56V	
מקסימום מהירות שרשרת	30 מ/שנייה	
צובט שרשרת	8.255 מ"מ / 0.325 אינץ'	
מד שרשרת	1.3 מ"מ	
אורך מוט מנחה	50 ס"מ	
דגם מסור שרשרת	AC2035 (מומלץ)	
	AC1835, AC1635 (תואם)	
דגם מסור שרשרת ומוט מנחה	AK2035 (מומלץ)	
	AK1835, AK1635 (תואם)	
קיבולת מיכל השמן של השרשרת	250 מ"ל	
משקל (ללא מארז סוללה, שרשרת מסור, מוט מכוון, כיסוי צד, שמן ונדן שרשרת)	4.3 ק"ג	
טמפרטורת הפעלה מומלצת	-15°C עד 40°C	
טמפרטורת אחסון מומלצת	-20°C עד 70°C	
טמפרטורת טעינה מומלצת	5°C עד 40°C	
רמת עוצמת קול נמדדת L_{WA}	102 dB(A) 2.3=K dB(A)	
רמת לחץ קול בעמדת עבודה L_{PA}	92 dB(A) 3=K dB(A)	
רמת עוצמת קול מובטחת L_{WA} (בהתאם ל-2000/14/EC)	104 dB(A)	
רטט a_h	ידית	3.3 מ ² /שנייה ²
	קדמית	1.5=K מ ² /שנייה ²
	אחורית	1.74 מ ² /שנייה ² 1.5=K מ ² /שנייה ²

הרכבה

הרכבה/החלפה של המוט והשרשרת

⚠ אזהרה: כווננו את בלם הרתע של השרשרת במצב הבלימה לפני ההרכבה.

1. הניחו את ראש המתח של המסור החשמלי על צידו כאשר המכסה הצדדי פונה כלפי מעלה (איור B).
2. הסירו את המכסה הצדדי על ידי סיבוב שני אומי הנעילה נגד כיוון השעון.
3. סובבו את בורג מתיחת השרשרת נגד כיוון השעון כדי לשחרר את מתח השרשרת.
4. הניחו את שרשרת המסור בלולאה על משטח שטוח וישרו כל עיקול (איור C).

■ ערך הרטט הכללי המוצהר נמדד בהתאם לשיטת בדיקה סטנדרטית וניתן להשתמש בו על מנת להשוות ציוד אחד עם ציוד אחר;

■ ניתן להשתמש בערך הרטט הכללי המוצהר בהערכה ראשונית של חשיפה.

הודעה: פליטת הרטט בעת השימוש המעשי בכלי יכולה להיות שונה מן הערך המוצהר כאשר הכלי נמצא בשימוש; על מנת להגן על המפעיל, על המשתמש ללבוש כפפות ומגני אוזניים בעת השימוש למעשה.

שימרו את כל האזהרות וההוראות לעיון עתיד.

קראו את כל ההוראות!

קראו את מדריך ההוראות

סמלי בטיחות

אזהרה: הפעלה של כלי עבודה חשמליים עלולה לגרום לעצמים זרים להיזרק אל תוך העיניים, דבר העלול לגרום לנזק חמור לעיניים. לפני הפעלה של כלי עבודה חשמלי, ענדו תמיד משקפי מגן או משקפי בטיחות עם הגנה צדדית, ובעת הצורך, הגנה עבור כל הפנים. אנו ממליצים על שימוש במסכת בטיחות רחבה מעל למשקפי המגן או על שימוש במשקפי בטיחות עם הגנה צדדית.

אזהרה: כדי להבטיח בטיחות ואמינות, יש לבצע את כל התיקונים וההחלפות בעזרת טכנאי שירות מוסמך.

אזהרה: ודאו שאתם קוראים ומבינים את כל ההוראות הבטיחות המופיעות במדריך זה למשתמש, כולל את כל סימני התראות הבטיחות כגון „סכנה“, „אזהרה“ ו-„הירות“ לפני השימוש במכשיר זה. אי מילוי אחר כל ההוראות המופיעות למטה יכול לגרום להלם חשמלי, שרפה ו/או פציעות אישיות חמורות.

על מנת להפחית את הסיכון לפציעות, על המשתמש לקרוא ולהבין את המדריך למשתמש לפני השימוש במוצר זה.



התראת בטיחות



לבשו מגני אוזניים



לבשו מגני עיניים



לבשו כפפות מגן



לבשו מגני ראש



קצה מוט מנחה לתגובה חזקה לאחר



היזהרו מתגובה חזקה לאחר של המסור החשמלי והימנעו ממגע עם קצה המוט



השתמשו תמיד במסור החשמלי בשתי הידיים



פרכי המוט המנחה



אין לזרוק מוצרים חשמליים עם האשפה הביתית. יש להביא את המכשיר למרכז מחזור מוסמך.



רמת עוצמת קול מובטחת. פליטת רעש אל הסביבה בהתאם לתקנת האיחוד האירופי.



מוצר זה תואם לחוקים הרלוונטיים בבריטניה.



מוצר זה תואם לתקנת ה-EC הרלוונטיות.



זרם ישיר



Bluetooth®



מהירות ללא עומס n₀

מילימטר mm

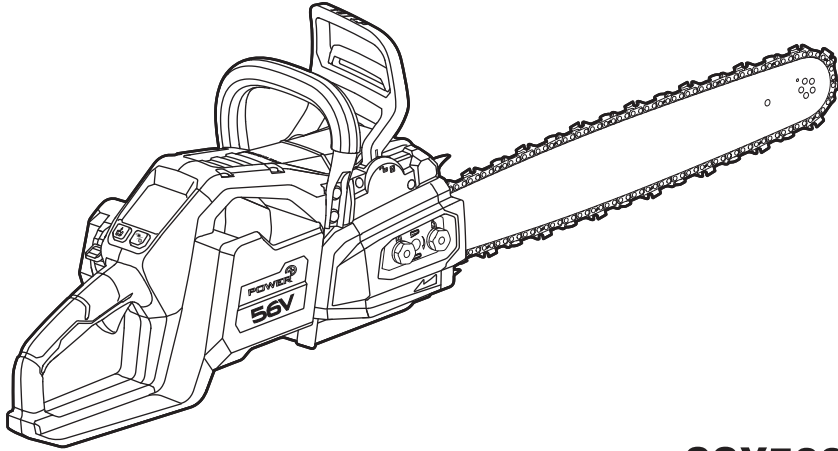
... /min לדקה

ולט V

הגנה מפני זרנוקי מים IPX5

הערה: סימן המילים והלוגו של Bluetooth® הם סימנים מסחריים רשומים בבעלות Bluetooth SIG, inc וכל שימוש בסימנים אלו על ידי EGO הוא תחת רישיון.

EGO™ PRO X



CSX5000

מסור חשמלי אלחוטי עם סוללת
ליתיום-יון 56 וולט HE
منشار سلسلي لاسلكي ببطارية ليثيوم-أيون
56 فولت AR

