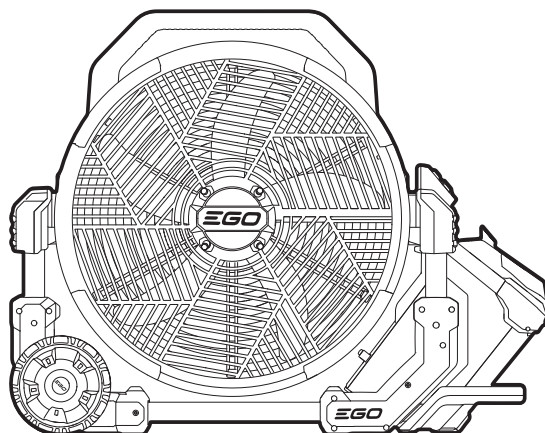


EGO™

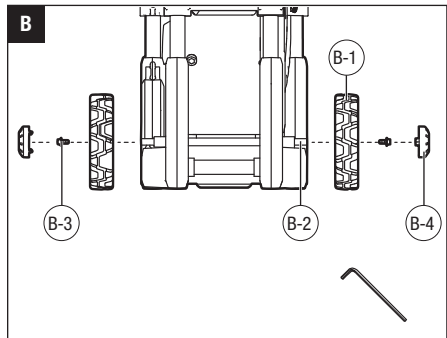
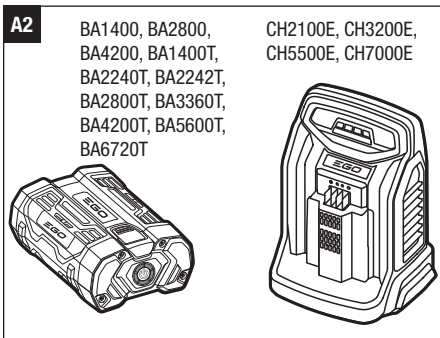
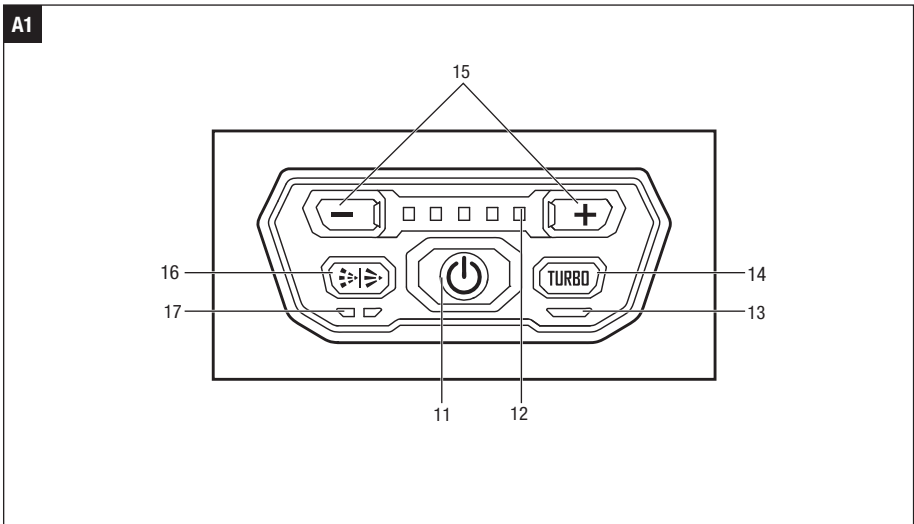
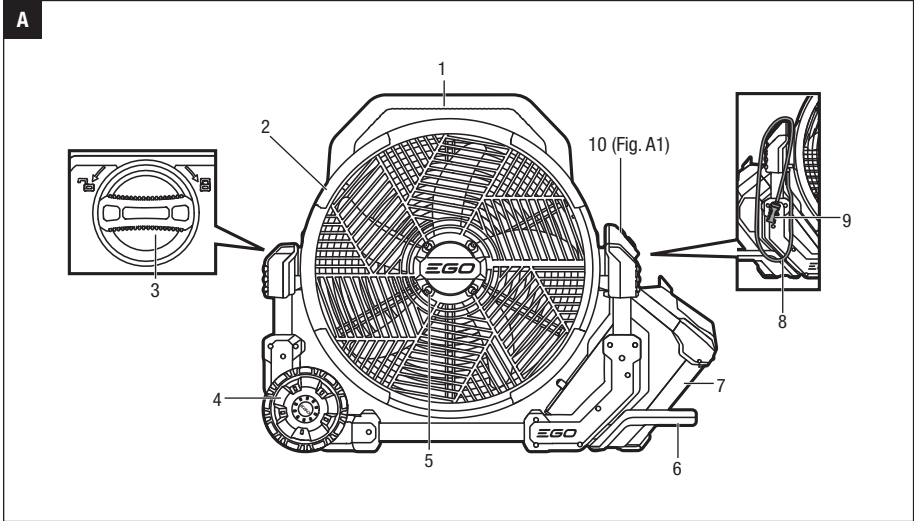
POWER+ FAN

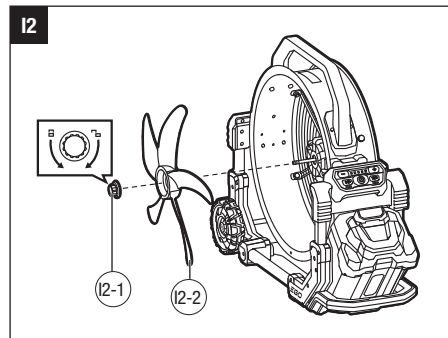
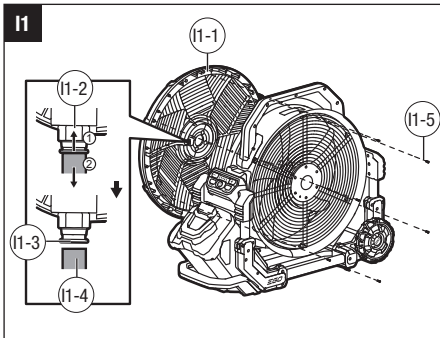
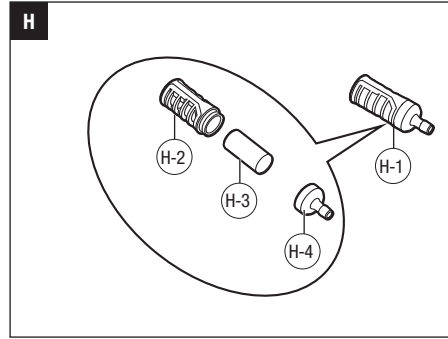
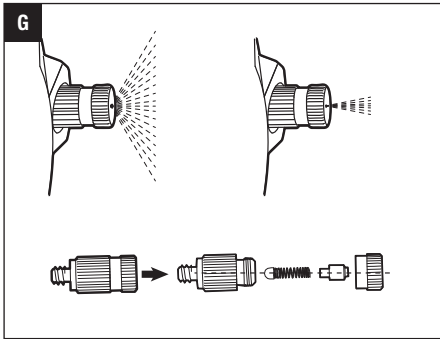
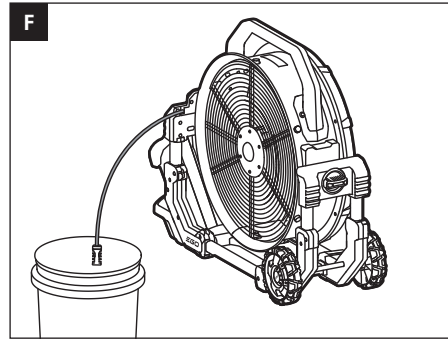
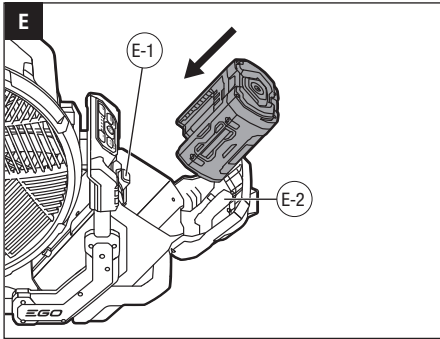
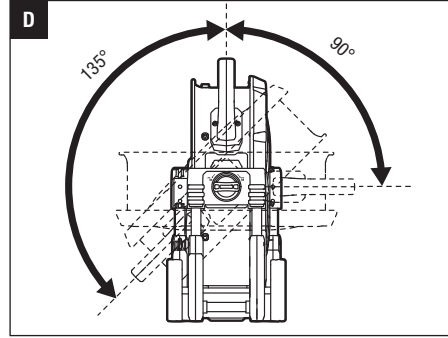
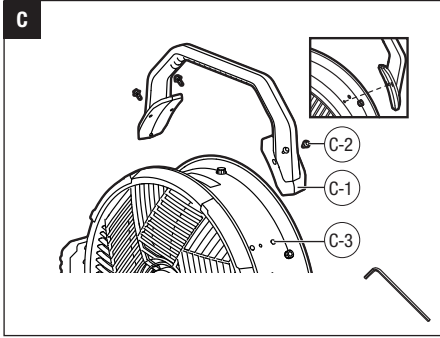


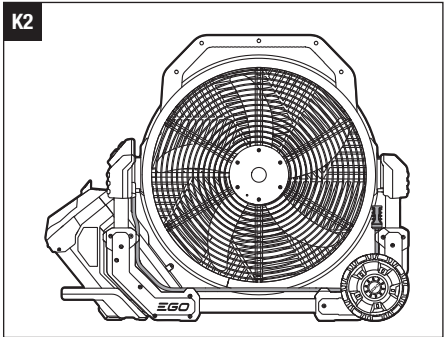
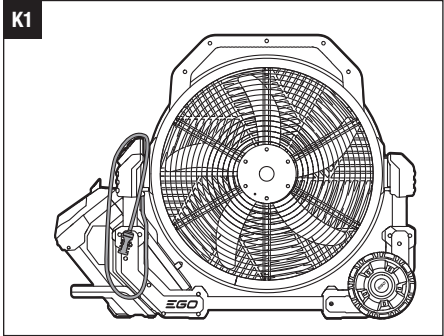
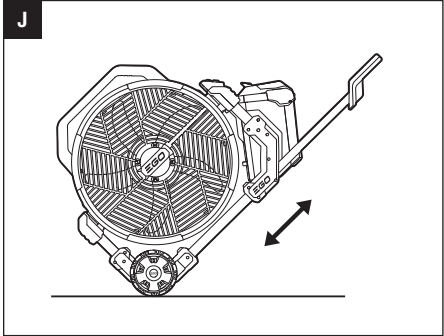
FN1800E

56 VOLT LITHIUM-ION CORDLESS MISTING FAN

EN	56 Volt lithium-ion cordless misting fan	7	RO	Ventilator cu nebulizare cu acumulator litiu-ion de 56 volți	145
DE	Kabelloser nebelventilator mit 56 volt lithium-ionen-akku	13	SL	56-voltni litij-ionski brezžični ventilator s funkcijo pršenja	154
FR	Ventilateur brumisateur sans fil lithium-ion 56 volts	22	LT	56 v belaidis drėkinantis ventiliatorius su ličio jonų baterija	162
ES	Ventilador de nebulización inalámbrico con batería de iones de litio de 56 voltios	31	LV	56 voltu litijā jonu akumulatora ventilators ar miglošanas funkciju	170
PT	Ventoinha de névoa sem fios, com bateria de ião de lítio de 56 volts	40	GR	Ασπράματος ανεμιστήρας υδρονεφάσης 56 volt ιοντων λιθιου	178
IT	Ventilatore nebulizzatore cordless li-ion 56 volt	49	TR	56 volt lityum iyon kablosuz buharli vantilatör	187
NL	56 volt lithium-ion draadloze mistventilator	58	ET	56-voldine juhtmeta liitiumioon uduventilaator	195
DK	Batteridrevet ventilator med dis og 56 volt litium-ion-batteri	67	UK	Вентилятор із функцією туманоутворення, що працює від літій-іонного акумулятора на 56 в	203
SE	Sladdlös 56 volts litium-jon luftfuktande fläkt	75	BG	56-волтов литиево-ионен безжичен вентилятор за мъгла	212
FI	56 voltin litiumioniakkukäyttöinen sumuttava tuuletin	83	HR	56-voltni litij-ionski akumulatorski ventilator za zamagljivanje	221
NO	56 volt lithium-ion trådløs fuktvlifte	91	KA	56 ვოლტაანი ლითიუმ-იონური უკაბელო წვეთების მაფრქვეველი ვენტილატორი	229
RU	беспроводной вентилятор с увлажнителем воздуха и литий-ионным аккумулятором 56 в	99	SR	Bežični ventilator sa raspršivačem i litijum-jonskom baterijom od 56 volti	241
PL	Akumulatorowy wentylator nawilżający litowo-jonowy 56 v	109	BS	Akumulatorski ventilator s funkcijom raspršivanja vodene maglice i litij-ionskom baterijom od 56 v	249
CZ	56 v lithium-ionový akumulátorový zamlžovací ventilátor	118	HE	מערפל נייד עם סוללת ליטיום-יון 56 וולט	275
SK	56 v litium-ióňový akumulátorový zahmlievací ventilátor	131	AR	مروحة رذاذ لاسلكية ببطارية ليثيوم أيون 56 فولت	267
HU	56 voltos lítium-ion akkumulátoros ködventilátor	136			







READ ALL INSTRUCTIONS!



READ OPERATOR'S MANUAL

⚠ WARNING: To ensure safety and reliability, all repairs and replacements should be performed by a qualified service technician.

SAFETY SYMBOLS

The purpose of safety symbols is to attract your attention to possible dangers. The safety symbols and the explanations with them deserve your careful attention and understanding. The symbol warnings do not, by themselves, eliminate any danger. The instructions and warnings they give are no substitutes for proper accident prevention measures.

⚠ WARNING: Be sure to read and understand all safety instructions in this Operator's Manual, including all safety alert symbols such as **"DANGER"**, **"WARNING"**, and **"CAUTION"** before using this tool. Failure to follow all instructions listed below may result in electric shock, fire, and/or serious personal injury.

	Safety Alert	Precautions that involve your safety
	Read & Understand Operator's Manual	To reduce the risk of injury, user must read and understand operator's manual before using this product.
	Rain Condition	Do not expose to rain.
	CE	This product is in accordance with applicable EC directives.
	UKCA	This product is in accordance with applicable UK legislation.
	WEEE	Waste electrical products should not be disposed of with household waste. Take to an authorized recycler.

IPX4	Ingress Protection Degree	Protection from splashing water
	Direct Current	Type or a characteristic of current
V	Volt	Voltage
cm	Centimeter	Length or size
m/s	Meters Per Second	Speed
L/h	Liter Per Hour	Flow Rate
°C	Celsius	Temperature
kg	Kilogram	Weight

GENERAL SAFETY WARNINGS

⚠ WARNING: To reduce risk of fire, electric shock, or injury:

- **Know your misting fan. Read the instruction manual carefully. Learn the fan's applications and limitations as well as the specific potential hazards related to this fan.** Following this rule will reduce the risk of electric shock, fire or serious injury.
- This appliance is not intended for use by persons (including children) with reduced physical, sensory or mental capabilities, or lack of experience and knowledge, unless they have been given supervision or instruction concerning use of the appliance by a person responsible for their safety.
- Children should be supervised to ensure that they do not play with the appliance.

WORK AREA SAFETY

- **Do not operate fan in explosive atmospheres, such as in the presence of flammable liquids, gases or dust.**
- **Keep children and bystanders away while operating an appliance.** Distractions can cause you to lose control.
- **Use caution when using in windy conditions.** Winds may carry mists into electrical wiring or devices.
- **Do not expose appliance to rain or wet conditions.** Water entering an appliance will increase the risk of electric shock.

PERSONAL SAFETY

- **Stay alert, watch what you are doing and use common sense when operating appliance. Do not use the appliance while tired, upset, or under the influence of drugs, alcohol, or medication.** A moment of inattention while operating appliance may result in serious personal injury.
- **Prevent unintentional starting. Ensure the switch is in the off-position before connecting to battery pack, picking up or carrying the appliance.** Carrying appliance with your finger on the switch or energizing appliance that have the switch on invites accidents.
- **Remove any adjusting key or wrench before turning the appliance on.** A wrench or a key left attached to a rotating part of the appliance may result in personal injury.
- **Do not overreach. Keep proper footing and balance at all times.** This enables better control of the appliance in unexpected situations.
- **Dress properly. Do not wear loose clothing or jewelry. Keep your hair and clothing away from moving parts.** Loose clothes, jewelry or long hair can be caught in moving parts.
- **Verify that all connections are secure before operating the appliance.**
- **Do not let familiarity gained from frequent use of appliances allow you to become complacent and ignore the appliance safety principles.** A careless action can cause severe injury within a fraction of a second.

USE AND CARE

- **Do not use the appliance if the switch does not turn it on and off.** Any appliance that cannot be controlled with the switch is dangerous and must be repaired.
- **Disconnect the battery pack from the appliance before making any adjustments, changing accessories, or storing appliance.** Such preventive safety measures reduce the risk of starting the appliance accidentally.
- **Store idle appliance out of the reach of children and do not allow persons unfamiliar with the appliance or these instructions to operate the appliance.** Appliances are dangerous in the hands of untrained users.
- **Maintain appliance and accessories. Check for misalignment or binding of moving parts, breakage of parts and any other condition that may affect the appliance's operation. If damaged, have the appliance repaired before use.** Many accidents are caused by poorly maintained appliance.

- **Use the appliance and accessories etc. in accordance with these instructions, taking into account the working conditions and the work to be performed.** Use of the appliance for operations different from those intended could result in a hazardous situation.
- **Keep handles and grasping surfaces dry, clean and free from oil and grease.** Slippery handles and grasping surfaces do not allow for safe handling and control of the tool in unexpected situations.

⚠ WARNING: To reduce the risk of fire or electric shock, do not use this fan with any solid-state speed control device.

BATTERY TOOL USE AND CARE

- **Recharge only with the charger specified by the manufacturer. A charger that is suitable for one type of battery pack may create a risk of fire when used with another battery pack.**
- **Use appliance only with specifically designated battery packs. Use of any other battery packs may create a risk of injury and fire.**
- **When battery pack is not in use, keep it away from other metal objects, like paper clips, coins, keys, nails, screws or other small metal objects, that can make a connection from one terminal to another.** Shorting the battery terminals together may cause burns or a fire.
- **Under abusive conditions, liquid may be ejected from the battery; avoid contact. If contact accidentally occurs, flush with water. If liquid contacts eyes, additionally seek medical help.** Liquid ejected from the battery may cause irritation or burns.
- **Do not use a battery pack or appliance that is damaged or modified.** Damaged or modified batteries may exhibit unpredictable behavior resulting in fire, explosion or risk of injury.
- **Do not expose a battery pack or appliance to fire or excessive temperature.** Exposure to fire or temperature above 130°C may cause explosion.
- **Follow all charging instructions and do not charge the battery pack or appliance outside the temperature range specified in the instructions.** Charging improperly or at temperatures outside the specified range may damage the battery and increase the risk of fire.

SERVICE

- **Have your appliance serviced by a qualified repair person using only identical replacement parts.** This will ensure that the safety of the appliance is maintained.

- **Never service damaged battery packs.** Service of battery packs should only be performed by the manufacturer or authorized service providers.

SAFETY INSTRUCTIONS FOR CORDLESS MISTING FAN

- **Do not allow the fan to be used as a toy.** Close attention is necessary when used by or near children.
- **Children can fall into buckets and drown.** Keep children away from buckets with even a small amount of liquid.
- **ONLY use clean, cold water.**
- **Do not use this misting fan to spray pesticides, liquid fertilizers, chemicals, or any liquids other than clean water.** Spraying these substances could result in serious injury or illness to the operator or bystanders.
- **Never direct mist or water toward any electrical wiring or devices.**
- **Ensure that the battery compartment cover is completely closed to prevent water from contacting battery or entering battery port.**
- **Keep the appliance and its handle dry, clean and free from oil and grease. Always use a clean cloth when cleaning. Never use brake fluids, gasoline, petroleum-based products, or any strong solvents to clean your fan.** Following this rule will reduce the risk of loss of control and deterioration of the enclosure plastic.
- **Batteries can explode in the presence of a source of ignition, such as a pilot light. To reduce the risk of serious personal injury, never use any cordless product in the presence of open flame. An exploded battery can propel debris and chemicals.** If exposed, flush with water immediately.
- **Save these instructions.** Refer to them frequently and use them to instruct others who may use this fan. If you loan this fan to someone else, also loan these instructions to them to prevent misuse of the product and possible injury.
- Be aware that high humidity levels may encourage the growth of biological organisms in the environment.
- Do not permit the area around the misting fan to become damp or wet. If dampness occurs, turn the output of the misting fan down. If the misting fan output volume cannot be turned down, use the humidifier intermittently. Do not allow absorbent materials, such as carpeting, curtains, drapes, or tablecloths, to become damp.
- Never leave water in the reservoir when the appliance is not in use.
- Empty and clean the misting fan before storage. Clean the humidifier before next use.

⚠ WARNING: Micro-organisms that may be present in the water or in the environment where the appliance is used or stored, can grow in the water reservoir and be blown in the air causing very serious health risks when the water is not renewed and the tank is not cleaned properly every 3 days.

- Rechargeable batteries are to be removed from the appliance before being charged
- Exhausted batteries are to be removed from the appliance and safely disposed of
- If the appliance is to be stored unused for a long period, the batteries should be removed
- The supply terminals are not to be short-circuited.

SAVE THESE INSTRUCTIONS

SPECIFICATIONS

Voltage	56 V
Fan Blade Diameter	45.7 cm
Fan Speed Settings	6 (including "Turbo")
Max. Air Volume	7000 m ³ /h
Max. Air Speed	10.3 m/s
Misting Water Volume	I: 4.5 L/h
	II: 11.4 L/h
Recommended Storage Temperature	-20°C ~ 70°C
Weight (without battery pack)	10.4 kg

PACKING LIST

PART NAME		QUANTITY
Misting Fan		1
Wheel Assembly	Wheel	2
	Hubcap	2
	Screw with washer	2
Top Handle Assembly	Top Handle	1
	Screw with washer	4
Wrench		1
Spare Nozzle		1
Operator's Manual		1

DESCRIPTION

KNOW YOUR MISTING FAN (Fig. A & Fig. A1)

1. Top Handle
2. Fan Enclosure
3. Fan Enclosure Lock Knob
4. Wheel (x2)
5. Misting Nozzle (x4)
6. Telescopic Handle
7. Battery Compartment
8. Intake Tube
9. Filter
10. Control Interface
11. Power Button
12. Air Speed Indicator
13. TURBO Indicator
14. TURBO Button
15. Air Speed Adjustment Button
16. Misting Mode Selection Button
17. Misting Indicator

ASSEMBLY

⚠ WARNING: If any parts are damaged or missing, do not operate this product until the parts are replaced. Use of this product with damaged or missing parts could result in serious personal injury.

⚠ WARNING: Do not attempt to modify this product or create accessories not recommended for use with this fan. Any such alteration or modification is misuse and could result in a hazardous condition leading to possible serious personal injury.

⚠ WARNING: Always remove the battery pack from the product when you are assembling parts, making adjustments, cleaning, or when the product is not in use. Removing the battery pack will prevent accidental starting that could cause serious personal injury.

ASSEMBLING THE WHEELS (Fig. B)

1. Align the hole of one of the wheels with the wheel axle of the fan, and mount the wheel onto the axle.
2. Thread one of the wheel screws through the hole of the wheel into the wheel axle, then tighten the screw with the supplied wrench.
3. Snap the hubcap onto the wheel.
4. Assemble the other wheel following above steps 1 - 3.

ATTACHING THE TOP HANDLE (Fig. C)

1. Align four supplied screws with the holes in the top handle and the holes in the fan enclosure.

2. Insert the screws and then tighten them with the supplied wrench.

Fig. B and Fig. C parts description see below:

B-1	Wheel (2)	B-3	Screw with Washer (2)
B-2	Wheel Axle (2)	B-4	Hubcap (2)
C-1	Top handle	C-2	Screw With Washer(4)
C-3	Screw Hole		

OPERATION

⚠ WARNING: Do not allow familiarity with this product to make you careless. Remember that a careless fraction of a second is sufficient to inflict serious injury.

⚠ WARNING: Do not use any attachments or accessories not recommended by the manufacturer of this product. The use of attachments or accessories not recommended can result in serious personal injury.

Before each use, inspect the entire product for damaged, missing, or loose parts, such as screws, nuts, bolts, caps, etc. Tighten securely all fasteners and caps and do not operate this product until all missing or damaged parts are replaced.

⚠ WARNING: Always remove the battery pack from the product when you are assembling parts, making adjustments, cleaning, or when it is not in use. Removing the battery pack will prevent accidental starting that could cause serious personal injury.

APPLICATIONS

You may use this product for the purposes listed below:

- General ventilation in most household applications
- Outdoor cooling while connected to a water source

ADJUSTING THE FAN ANGLE (Fig. D)

1. Grasp the top handle to hold the fan enclosure.
2. Rotate the fan enclosure lock knob COUNTERCLOCKWISE to loosen the adjustable fan enclosure.
3. Tilt the adjustable fan enclosure forward or backward to your desired angle. The fan can pivot up to 90° forward up to 135° backward.
4. Rotate the lock knob CLOCKWISE to secure the fan enclosure at your desired angle.

TO ATTACH/DETACH THE BATTERY PACK (Fig. E)

Use only with EGO's battery packs and chargers listed in Fig. A2.

Fully charge before first use.
To attach

1. Pull the battery compartment cover to open it.
2. Align the battery ribs with the mounting slots and press the battery pack down until you hear a “click”.

To detach

1. Depress the battery-release button and lift the battery pack out.
2. Push the battery compartment cover to close it. Ensure that it is completely closed to prevent water from contacting battery or entering battery port.

Fig. E parts description see below

E-1	Battery Release Button
E-2	Battery Compartment Cover

TO START/STOP THE MISTING FAN

NOTICE: The initial factory setting for the air speed is level 3. The fan will save the last used air speed setting and will revert to it upon restart.

IMPORTANT: Turbo setting will not be saved.

NOTICE: The misting setting will not be saved, and by default will be off every time the fan is turned on.

POWER BUTTON

- Press the power button briefly to turn the fan ON.
- Press the power button briefly again to turn the fan OFF.

AIR SPEED ADJUSTMENT
Normal Air Speed

- Press the “+” button to accelerate the air speed and press the “-” button to decrease the air speed. There are 5 speed levels.
- The air speed indicator displays green lights corresponding to the current speed levels.

TURBO Mode

- Press the “TURBO” button, the TURBO indicator will light up green and the fan will shift into “TURBO” mode, i.e. the highest air speed.
- When in “TURBO” mode, press “TURBO” button again, the TURBO indicator will turn off and the fan will resume the previously active air speed.

- When in “TURBO” mode, press “-” button, the TURBO indicator will turn off and the fan will shift to the air speed level 5.

MISTING FUNCTION
USING THE FAN WITH A WATER BUCKET (NOT INCLUDED) (Fig. F)

⚠ WARNING: Children can fall into buckets and drown. Keep children away from buckets containing even a small amount of liquid.

NOTICE: Clean the bucket with soap and water before each use.

1. Disconnect the battery pack.
2. Place the bucket on a flat, level surface.
3. Add ONLY clean, cold water into the bucket. Do not overfill.
4. Immerse the filter end of the intake tube down into the water bucket.

NOTICE: Do not bend the intake tube, and always make sure the water flows smoothly through the tube.

5. Install the battery pack and close the battery compartment cover.
6. Press the power button to turn the fan ON.
7. Press the misting mode selection button to start misting:

- Press the misting mode selection button once and the misting indicator will light up two green lights which indicates the ‘continuous’ misting mode - misting all the time without stopping.

NOTICE: It may take around 15 seconds before you actually see the mist coming out of the misting nozzles the first time. This delay is due to the time it takes for water to flow from the water bucket to the nozzles.

- Press the misting mode selection button again and the misting indicator will light up one green light which indicates the ‘intermittent’ misting mode - misting for 5s every 10s.
- When the misting is in intermittent mode, press the misting mode selection button again and the misting indicator lights will turn off and the misting will stop.

NOTICE: When the misting operation is finished, pull the intake tube out of the water and run the fan in misting mode until all the water clears from the tube. This helps prevent the residual water in the tube from causing unexpected misting when the fan is started again.

USING THE FAN WITHOUT MISTING

If desired, this product may be used as a fan only, when not connected to a water source. When not in use, always place the intake tube in its storage area (See section “**STORAGE**” in this manual) to protect it from damage and contamination.

INTERNAL PROTECTION

When the misting function is activated but no water mist is coming out:

- The water pump will keep running for a short while, and then stop automatically to protect internal electronics.
- Depending on misting mode, the misting indicator will display one or two solid green lights for a short while, and then flash green light(s) continuously as an alert for the operator to:
 - a. Check if the intake tube is properly immersed into water.
 - b. Check if the misting nozzle(s) is clogged, and clean according to the “**NOZZLE MAINTENANCE**” chapter.
 - c. Press the misting mode selection button to restart misting.

MAINTENANCE

⚠ WARNING: When servicing, use only identical replacement parts. Use of any other parts may create a hazard or cause product damage. To ensure safety and reliability, all repairs should be performed by a qualified service technician.

⚠ WARNING: To avoid serious personal injury, always remove the battery pack from the product when cleaning or performing any maintenance.

GENERAL MAINTENANCE

Avoid using solvents when cleaning plastic parts. Most plastics are susceptible to damage from various types of commercial solvents and may be damaged by their use. Use clean cloths to remove dirt, dust, oil, grease, etc.

⚠ WARNING: Do not at any time let brake fluids, gasoline, petroleum-based products, penetrating oils, etc., come in contact with plastic parts. Chemicals can damage, weaken or destroy plastic which may result in serious personal injury.

NOZZLE MAINTENANCE (Fig. G)

⚠ WARNING: Ensure that all misting nozzle maintenance is performed properly to prevent water leaks. The leaks can result in a slippery surface creating a slip and fall hazard or cause property damage.

To clear the nozzles

1. Turn off the fan and remove the battery pack.
2. Remove the clogged brass misting nozzles by rotating them in a COUNTERCLOCKWISE direction.
3. Disassemble each affected nozzle into parts.
4. **To remove any foreign particles** clogging or restricting the nozzles, flush the nozzle parts with water. **To remove scale (mineral) buildup**, clean the nozzle parts with white vinegar or other de-scaling agent as necessary.
5. Reassemble the nozzles.

NOTICE: To prevent clogging, make sure that the nozzle is assembled exactly as shown as Fig. G.

6. Reattach the clean nozzles.

FILTER MAINTENANCE (Fig. H)

Periodically examine the filter at the end of the intake tube to make sure that it is in good condition.

1. Pull the filter off from the intake tube.
2. Unscrew the filter into parts and take out the sponge mesh.
3. Rinse the sponge mesh or replace it if necessary.
4. Reassemble the filter and reconnect it to the intake tube.

Fig. H parts description see below

H-1	Filter	H-3	Sponge Mesh
H-2	Upper Part	H-4	Lower Part

FAN ENCLOSURE MAINTENANCE (Fig. I1 & Fig. I2)

⚠ WARNING: Ensure the battery packs are removed from the product before removing the guard.

1. Loosen and remove the six screws to PARTIALLY lift the front grill guard off from the fan enclosure.

⚠ CAUTION: To prevent damage, do not remove the front grill guard completely without disconnecting the intake tube FIRST.

2. Depress the black rubber at end of the nut to pull out the intake tube.
3. Remove the front grill guard completely.
4. Rotate the fan blade lock cover clockwise to release the fan blade from the shaft.
5. Remove the fan blade.
6. Clean the fan blade and the enclosure interior as necessary.
7. Reassemble them in reverse order, and make sure:
 - the intake tube is properly connected to the nut.
 - the intake tube is placed properly into the slot on the grill guard.

PROTECTING THE ENVIRONMENT



Do not dispose of electrical equipment, used battery and charger into household waste! Take this product to an authorized recycler and make it available for separate collection. Electric tools must be returned to an environmentally compatible recycling facility.

Fig. I1 and I2 parts description see below

I1-1	Front Grill Guard	I1-4	Black Rubber
I1-2	Screw(6)	I1-5	Intake Tube
I1-3	Nut	I2-1	Lock Cover
I2-2	Fan Blade		

TRANSPORTING

- The fan is equipped with a top handle for carrying the fan for short-distance trips or crossing rough surface/ terrain.
- For long-distance transport, use the telescopic handle to roll the fan. Use the top handle to tilt the fan and then pull out the telescopic handle until you hear a “click”. When the telescopic handle is not used, push it into the tool (Fig. J).

STORAGE

1. Remove the battery pack.
2. Clean the fan thoroughly.
3. Empty the intake tube and filter.
4. Place the intake tube into either storage position located at the back of the fan (Fig. K1 & Fig. K2).
5. Store the fan in a dry, well-ventilated area, out of the reach of the children. Do not store the fan on or adjacent to fertilizers, gasoline, or other chemicals.



EN TROUBLESHOOTING

PROBLEM	CAUSE	SOLUTION
Tool does not work.	<ul style="list-style-type: none">■ Low battery pack capacity.■ The battery pack or the fan is too hot.	<ul style="list-style-type: none">■ Charge the battery pack.■ Turn off the fan and allow the fan and battery pack to cool.
There is no water misting and the misting indicator flashes two green lights.	<ul style="list-style-type: none">■ The intake tube suction no water, activating internal protection for the water pump inside the tool.■ The misting nozzle(s) got clogged during operation, activating the internal protection for the water pump.	<ul style="list-style-type: none">■ Check and ensure that there is enough water in the bucket and the intake tube is properly immersed into the water.■ Clean the nozzle(s) according to the “NOZZLE MAINTENANCE” chapter and reassemble them as instructed.
Water leakage happens after fan enclosure maintenance.	<ul style="list-style-type: none">■ The nut connecting with the intake tube got loose unexpectedly.	<ul style="list-style-type: none">■ Open the fan enclosure according to the “FAN ENCLOSURE MAINTENANCE” chapter. Inspect and ensure that the nut is fully tightened.

WARRANTY

EGO WARRANTY POLICY

Please visit the website egopowerplus.com for full terms and conditions of the EGO Warranty policy.

LESEN SIE ALLE ANWEISUNGEN!



LESEN SIE DIE BETRIEBSANLEITUNG

⚠️ WARNUNG: Um die Sicherheit und Zuverlässigkeit zu gewährleisten, sollten alle Reparaturen und der Austausch von Teilen nur von qualifizierten Servicetechnikern durchgeführt werden.

WARNSYMBOL

Der Zweck von Warnsymbolen besteht darin, Ihre Aufmerksamkeit auf mögliche Gefahren zu lenken. Die Warnsymbole und deren Erklärungen verdienen Ihre vollste Aufmerksamkeit und Beachtung. Durch die Warnsymbole allein sind die Gefahren noch nicht ausgeschaltet. Die Anweisungen und Warnhinweise stellen keinen Ersatz für angemessene Unfallverhütungsmaßnahmen dar.

⚠️ WARNUNG: Vor der Benutzung des Geräts sollten Sie alle Sicherheitsanweisungen in dieser Bedienungsanleitung gelesen und verstanden haben. Das gilt auch für die Sicherheits- und Gefahrenzeichen wie „**VORSICHT**“, „**WARNUNG**“ und „**ACHTUNG**“. Die Nichtbeachtung aller aufgeführter Anweisungen kann zu Stromschlägen, Bränden und/oder schweren Verletzungen führen.

	Sicherheitswarnung	Vorsichtsmaßnahmen zu Ihrer Sicherheit
	Lesen & verstehen Sie die Bedienungsanleitung	Um das Verletzungsrisiko zu verringern, muss der Benutzer die Bedienungsanleitung vor der Benutzung des Gerätes gelesen und verstanden haben.
	Regenzustand	Vor Regen schützen.
	CE	Dieses Produkt erfüllt die einschlägigen CE-Richtlinien.

	UKCA	Dieses Produkt erfüllt die einschlägigen Vorschriften in GB.
	WEEE	Elektrische Altgeräte dürfen nicht im Hausmüll entsorgt werden. Bringen Sie das Gerät zu einem Wertstoffhof bzw. zu einer amtlichen Sammelstelle.
IPX4	Schutzklasse	Schutz vor Spritzwasser
	Gleichstrom	Art oder Eigenschaft der Stromzufuhr
V	Volt	Spannung
cm	Zentimeter	Länge oder Größe
m/s	Meter pro Sekunde	Geschwindigkeit
L/h	Liter pro Stunde	Luftfördermenge
°C	Celsius	Temperatur
kg	Kilogramm	Gewicht

DE

ALLGEMEINE SICHERHEITSHINWEISE

⚠️ WARNUNG: Um das Risiko für Feuer, Stromschläge und Verletzungen zu verringern:

- **Lernen Sie Ihren Nebelventilator kennen. Lesen Sie die Bedienungsanleitung sorgfältig durch. Befassen Sie sich mit den Anwendungen und Einschränkungen des Ventilators und seinen möglichen Gefahren.** Dadurch wird das Risiko von Stromschlag, Brand oder schweren Verletzungen verringert.
- Dieses Gerät ist nicht für die Benutzung durch Personen (einschließlich Kindern) mit eingeschränkten körperlichen, sensorischen oder geistigen Fähigkeiten oder Personen, denen es an Erfahrung und Fachkenntnissen mangelt, vorgesehen; es sei denn, sie werden von einer für deren Sicherheit verantwortlichen Person beaufsichtigt und in die Benutzung des Gerätes eingewiesen.
- Kinder sollten beaufsichtigt werden, um sicherzustellen, dass sie nicht mit dem Gerät spielen.

SICHERHEIT IM ARBEITSBEREICH

- **Verwenden Sie den Ventilator nicht in explosionsgefährdeter Umgebung, beispielsweise mit brennbaren Flüssigkeiten, Gasen oder Stäuben.**
- **Halten Sie Kinder und Zuschauer während des Betriebs eines Geräts fern.** Ablenkungen können dazu führen, dass Sie die Kontrolle verlieren.
- **Seien Sie vorsichtig bei Wind.** Wind kann Nebel in elektrische Leitungen oder Geräte blasen.
- **Halten Sie das Gerät von Regen oder Nässe fern.** Eindringen von Wasser in ein Elektrogerät erhöht das Risiko eines elektrischen Schlags.

PERSONENSICHERHEIT

- **Seien Sie aufmerksam, achten Sie darauf, was Sie tun, und bedienen Sie das Gerät mit Vernunft.** Verwenden Sie das Gerät nicht, wenn Sie müde sind, sich unwohl fühlen oder unter dem Einfluss von Drogen, Alkohol oder Medikamenten stehen. Ein Moment der Unachtsamkeit beim Betrieb des Geräts kann zu ernsthaften Verletzungen führen.
- **Ungewollten Anlauf verhindern. Kontrollieren Sie vor dem Anschließen eines Akkus, vor dem Aufnehmen oder Transportieren des Geräts immer, ob sich der Hauptschalter in Ausschaltposition befindet.** Wenn Sie beim Tragen des Geräts den Finger am Schalter haben oder das Gerät eingeschaltet an die Stromversorgung anschließen, kann dies zu Unfällen führen.
- **Entfernen Sie Einstellwerkzeuge oder Schraubenschlüssel, bevor Sie das Gerät einschalten.** Ein Werkzeug oder Schlüssel, der sich in einem drehenden Geräteteil befindet, kann zu Verletzungen führen.
- **Nicht überstrecken. Achten Sie stets auf einen festen Stand und halten Sie das Gleichgewicht.** Dadurch können Sie das Gerät in unerwarteten Situationen besser kontrollieren.
- **Tragen Sie angemessene Kleidung. Tragen Sie keine weite Kleidung oder Schmuck. Halten Sie Ihr Haar und Ihre Kleidung von den beweglichen Teilen fern.** Weite Kleidung, Schmuck oder langes Haar können sich in den beweglichen Teilen verfangen.
- Überprüfen Sie, dass alle Verbindungen sicher sind, bevor Sie das Gerät in Betrieb nehmen.
- **Wiegen Sie sich nicht in falscher Sicherheit und setzen Sie sich nicht über die Gerätesicherheitsregeln hinweg, selbst wenn Sie nach häufigem Gebrauch mit dem Gerät vertraut sind.** Eine fahrlässige Handlung kann bereits im Bruchteil einer Sekunde zu schweren Verletzungen führen.

GEBRAUCH UND PFLEGE

- **Benutzen Sie das Gerät nicht, wenn der Schalter defekt ist.** Ein Gerät, das sich nicht mehr ein- oder ausschalten lässt, ist gefährlich und muss repariert werden.
- **Nehmen Sie den Akku vom Gerät ab, bevor Sie Einstellungen vornehmen, Zubehörteile wechseln oder das Gerät lagern.** Durch solche Vorsichtsmaßnahmen wird die Gefahr eines unbeabsichtigten Gerätestarts verringert.
- **Bewahren Sie ein nicht benutztes Gerät außer Reichweite von Kindern auf, und lassen Sie Personen, die mit dem Gerät oder dieser Anleitung nicht vertraut sind, das Gerät nicht benutzen.** Elektrogeräte sind gefährlich, wenn sie von unerfahrenen Personen benutzt werden.
- **Halten Sie das Gerät und seine Zubehörteile instand. Kontrollieren Sie, ob bewegliche Teile einwandfrei ausgerichtet sind und nicht klemmen, ob Teile gebrochen oder so beschädigt sind, dass der Gerätebetrieb beeinträchtigt ist. Lassen Sie das Gerät bei Beschädigung vor Gebrauch reparieren.** Viele Unfälle gehen auf unzureichend gewartete Geräte zurück.
- **Verwenden Sie das Gerät, dessen Zubehör usw. entsprechend dieser Anleitung und berücksichtigen Sie dabei die Arbeitsbedingungen und die auszuführende Tätigkeit.** Der Gebrauch des Geräts für andere als die vorgesehenen Anwendungen kann zu gefährlichen Situationen führen.
- **Halten Sie die Griffe und Griffflächen trocken, sauber und frei von Öl und Fett.** Rutschige Griffe und Griffflächen beeinträchtigen die sichere Handhabung des Werkzeugs und führen in unerwarteten Situationen zum Verlust der Kontrolle über das Werkzeug.

⚠️ WARNUNG: Um die Brand- oder Stromschlaggefahr zu verringern, darf dieser Ventilator nicht mit statischen Drehzahlreglern verwendet werden.

BENUTZUNG UND PFLEGE VON AKKUGERÄTEN

- **Laden Sie den Akku nur mit dem vom Hersteller vorgegebenen Ladegerät auf. Ein Ladegerät, das für einen bestimmten Akkutyp geeignet ist, kann bei der Benutzung eines anderen Akkus zu einer Brandgefahr werden.**
- **Verwenden Sie das Gerät nur mit den eigens dafür vorgesehenen Akkus. Bei Verwendung anderer Akkus besteht Verletzungs- und Brandgefahr.**
- **Wenn der Akku nicht benutzt wird, halten Sie ihn von anderen metallischen Gegenständen fern, wie etwa Büroklammern, Münzen, Schlüssel, Nägel, Schrauben oder anderen kleinen Metallgegenständen, die eine Verbindung zwischen**

den Polen herstellen können. Das Kurzschließen der Pole kann Verbrennungen oder Brände verursachen.

- **Bei unsachgemäßer Anwendung kann Flüssigkeit aus dem Akku austreten; Kontakt vermeiden.** Falls Sie versehentlich mit Akkusäure in Berührung gekommen sind, spülen Sie mit Wasser. Falls Akkusäure in die Augen geraten ist, suchen Sie zudem einen Arzt auf. Aus dem Akku austretende Flüssigkeit kann Reizungen oder Verätzungen verursachen.
- **Benutzen Sie keine beschädigten oder modifizierten Akkus oder Geräte.** Beschädigte oder modifizierte Akkus können sich unvorhergesehen verhalten und einen Brand, eine Explosion oder eine Verletzung hervorrufen.
- **Den Akku oder das Gerät vor Feuer oder extremen Temperaturen schützen.** Feuer oder Temperaturen über 130°C können eine Explosion verursachen.
- **Befolgen Sie alle Anweisungen zum Laden, und laden Sie den Akkupack oder das Gerät nicht außerhalb des in der Betriebsanleitung angegebenen Temperaturbereichs.** Das unsachgemäße Aufladen oder Laden außerhalb des angegebenen Temperaturbereichs kann den Akku beschädigen und die Brandgefahr erhöhen.

REPARATUREN

- **Lassen Sie Ihr Gerät nur von qualifiziertem Fachpersonal und nur mit Original-Ersatzteilen reparieren.** Damit wird gewährleistet, dass die Sicherheit des Geräts erhalten bleibt.
- **Reparieren Sie unter keinen Umständen beschädigte Akkus.** Akkus sollten ausschließlich vom Hersteller selbst oder einer autorisierten Reparaturwerkstatt repariert werden.

SICHERHEITSHINWEISE FÜR KABELLOSE NEBELVENTILATOREN


- **Der Ventilator darf nicht als Spielzeug verwendet werden.** Besondere Aufmerksamkeit ist erforderlich, wenn Kinder in der Nähe sind.
- **Kinder können in Eimer fallen und ertrinken.** Halten Sie Kinder von Eimern fern, selbst wenn diese nur wenig Flüssigkeit enthalten.
- **Verwenden Sie NUR sauberes, kaltes Wasser.**
- **Verwenden Sie diesen Nebelventilator nicht zum Versprühen von Pestiziden, flüssigen Düngemitteln, Chemikalien oder anderen Flüssigkeiten als sauberem Wasser.** Das Versprühen solcher Stoffe kann zu schweren Verletzungen oder Krankheit des Bedieners oder umstehender Personen führen.
- **Nebel oder Wasser niemals auf elektrische Leitungen oder Geräte richten.**

- **Achten Sie darauf, dass der Deckel des Akkufachs richtig geschlossen ist, damit kein Wasser mit dem Akku in Berührung kommt oder in den Akkuanschluss eindringt.**
- **Halten Sie das Gerät und den Griff trocken, sauber und frei von Öl oder Fett.** Verwenden Sie zum Säubern immer einen sauberen Lappen. **Reinigen Sie den Ventilator auf keinen Fall mit Bremsflüssigkeit, Benzin, Erzeugnissen auf Erdölbasis oder mit starken Lösungsmitteln.** Sie laufen dadurch weniger Gefahr, die Kontrolle über das Gerät zu verlieren, und verhindern, dass das Kunststoffgehäuse angegriffen wird.
- **Akkus können in Gegenwart einer Zündquelle, wie z. B. einer Zündflamme, explodieren. In der Gegenwart offener Flammen nie schnurlose Geräte benutzen, um die Gefahr schwerer Verletzungen zu verhindern. Bei einem explodierenden Akku können Schmutz und Chemikalien umhergeschleudert werden.** Bei einer entsprechenden Gefährdung unverzüglich mit Wasser abspülen.
- **Heben Sie diese Anleitung auf.** Schlagen Sie gegebenenfalls darin nach und verwenden Sie sie, um andere in die Verwendung dieses Ventilators einzuweisen. Falls Sie diesen Ventilator anderen Personen überlassen, händigen Sie diesen auch die Anleitung aus, um unsachgemäßem Gebrauch des Geräts und Verletzungen vorzubeugen.
- Beachten Sie, dass hohe Luftfeuchtigkeit das Wachstum biologischer Organismen in der Umgebung fördern kann.
- Achten Sie darauf, dass der Bereich rund um den Nebelventilator nicht feucht oder nass wird. Wenn Feuchtigkeit auftritt, verringern Sie die Leistung des Nebelventilators. Wenn sich die Ausgabemenge des Nebelventilators nicht verringern lässt, verwenden Sie den Luftbefeuchter mit Unterbrechungen. Lassen Sie keine absorbierenden Materialien wie Teppiche, Vorhänge, Gardinen oder Tischdecken feucht werden.
- Lassen Sie niemals Wasser im Behälter, wenn das Gerät nicht verwendet wird.
- Entleeren und reinigen Sie den Nebelventilator vor der Lagerung. Reinigen Sie den Luftbefeuchter vor dem nächsten Gebrauch.
- ▲ **WARNUNG:** Im Wasser oder in der Umgebung des Geräts vorhandene Mikroorganismen können sich im Wasserbehälter vermehren und in die Luft geblasen werden. Sie sind eine ernste Gefahr für die Gesundheit, wenn das Wasser nicht erneuert und der Behälter nicht alle 3 Tage gründlich gereinigt wird.
- Aufladbare Batterien sind vor dem Aufladen aus dem Gerät zu nehmen.

- Verbrauchte Batterien müssen aus dem Gerät genommen und sicher entsorgt werden.
- Wenn das Gerät über einen längeren Zeitraum unbenutzt gelagert werden soll, müssen die Akkus herausgenommen werden.
- Die Anschlussklemmen dürfen nicht kurzgeschlossen werden.

HEBEN SIE DIESE ANLEITUNG AUF

TECHNISCHE DATEN

Spannung	56 V 
Ventilatorblatt-Durchmesser	45,7 cm
Ventilator Drehzahl-Einstellungen	6 (einschließlich „Turbo“)
Max. Luftmenge	7000 m ³ /h
Max. Luftgeschwindigkeit	10,3 m/s
Nebelwasservolumen	I: 4,5 l/h
	II: 11,4 l/h
Empfohlene Lagertemperatur	-20°C ~ 70°C
Gewicht (ohne Akku)	10,4 kg

PACKLISTE

BEZEICHNUNG DES TEILS		QUANTITY
Nebelventilator		1
Radsatz	Rad	2
	Radkappe	2
	Schraube mit Unterlegscheibe	2
Griffsatz	Oberer Griff	1
	Schraube mit Unterlegscheibe	4
Schraubenschlüssel		1
Ersatzdüse		1
Bedienungsanleitung		1

BESCHREIBUNG

LERNEN SIE IHREN NEBELVENTILATOR KENNEN (Abb. A und Abb. A1)

1. Oberer Griff
2. Ventilatorgehäuse
3. Verriegelung des Ventilatorgehäuses
4. Rad (x2)
5. Nebeldüse (x4)
6. Teleskopgriff
7. Akkufach
8. Ansaugschlauch
9. Filter
10. Steuerschnittstelle
11. Ein-/Aus-Taste
12. Luftstromanzeige
13. TURBO-Anzeige
14. TURBO-Taste
15. Einstelltaste für Luftstrom
16. Wahltaste für Nebelbetriebsart
17. Nebelanzeige

MONTAGE

⚠️ WARNUNG: Wenn irgendwelche Teile beschädigt sind oder fehlen, verwenden Sie das Produkt nicht, bis alle Teile ersetzt worden sind. Die Verwendung dieses Produkts mit beschädigten oder fehlenden Teilen kann zu schweren Verletzungen führen.

⚠️ WARNUNG: Versuchen Sie nicht, dieses Produkt abzuändern oder Zubehörteile zu basteln, die nicht zur Verwendung mit diesem Ventilator empfohlen sind. Jegliche Änderung oder falsche Anwendung dieses Geräts gilt als Zweckentfremdung und kann sehr riskant sein und zu möglichen schweren Körperverletzungen führen.

⚠️ WARNUNG: Der Akku muss immer aus dem Gerät genommen werden, wenn Teile montiert, Einstellungen vorgenommen, Teile gereinigt werden oder das Gerät außer Betrieb genommen wird. Das Entfernen des Akkusatzes beugt dem unabsichtlichen Starten vor, das zu schweren Verletzungen führen kann.

RÄDER MONTIEREN (Abb. B)

1. Richten Sie die Nabe des einen Rads auf die Radachse des Ventilators aus und stecken Sie das Rad auf die Achse.
2. Drehen Sie eine Radschraube durch die Radnabe in die Radachse und ziehen Sie die Schraube dann mit dem mitgelieferten Schraubenschlüssel fest.
3. Stecken Sie die Radkappe auf das Rad.

4. Montieren Sie das andere Rad nach den oben genannten Schritten 1-3.

OBEREN GRIFF BEFESTIGEN (Abb. C)

1. Richten Sie die vier mitgelieferten Schrauben auf die Bohrungen im oberen Griff und im Ventilatorgehäuse aus.
2. Drehen Sie die Schrauben ein und ziehen Sie sie mit dem mitgelieferten Schraubenschlüssel fest.

Bezeichnung der Teile von Abb. B und Abb. C:

B-1	Rad (2)	B-3	Schraube mit Unterlegscheibe (2)
B-2	Radachse (2)	B-4	Radkappe (2)
C-1	Griff oben	C-2	Schraube mit Unterlegscheibe (4)
C-3	Schraubenloch		

BETRIEB

⚠️ WARNUNG: Auch wenn Sie sich mit dem Gerät auskennen, sollten Sie sich nicht zu einer gewissen Nachlässigkeit verleiten lassen. Denken Sie daran, dass ein kurzer Moment der Unachtsamkeit zu ernsthaften Verletzungen führen kann.

⚠️ WARNUNG: Verwenden Sie keine Anbauwerkzeuge oder Zubehörteile, die nicht vom Hersteller dieses Produkts empfohlen worden sind. Der Gebrauch von nicht empfohlenen Anbauwerkzeugen oder Zubehör kann zu schweren Verletzungen führen.

Inspezieren Sie das gesamte Produkt vor jeder Benutzung auf beschädigte, fehlende oder lockere Teile, wie z. B. Schrauben, Muttern, Stifte, Kappen usw. Ziehen Sie alle Befestigungsteile und Abdeckungen an und bedienen Sie das Produkt nicht, bis alle beschädigten oder fehlenden Teile ersetzt worden sind.

⚠️ WARNUNG: Nehmen Sie den Akkupack immer aus dem Gerät, wenn Sie Teile montieren, Einstellungen vornehmen, das Gerät reinigen oder wenn das Gerät nicht verwendet wird. Das Entfernen des Akkusatzes beugt dem unabsichtlichen Starten vor, das zu schweren Verletzungen führen kann.

ANWENDUNGEN

Sie können dieses Produkt für die unten aufgeführten Zwecke einsetzen:

- Allgemeine Belüftung in den meisten Haushaltsanwendungen
- Kühlung im Freien bei Anschluss an eine Wasserquelle

NEIGUNGSWINKEL DES VENTILATORS EINSTELLEN (Abb. D)

1. Halten Sie das Ventilatorgehäuse am oberen Griff fest.
2. Drehen Sie die Verriegelung des Ventilatorgehäuses GEGEN DEN UHRZEIGERSINN, um das Ventilatorgehäuse zu entriegeln.
3. Kippen Sie das Ventilatorgehäuse um den gewünschten Winkel nach vorne oder nach hinten. Der Ventilator lässt sich um bis zu 90° nach vorne und bis zu 135° nach hinten neigen.
4. Drehen Sie die Verriegelung IM UHRZEIGERSINN, um das Ventilatorgehäuse im gewünschten Winkel festzustellen.

AKKUPACK EINSETZEN / HERAUSNEHMEN (Abb. E)

Nur die in Abb. A2 aufgeführten EGO Akkus und Ladegeräte verwenden.

Vor dem ersten Gebrauch voll aufladen.

Einsetzen

1. Öffnen Sie den Deckel des Akkufachs.
2. Lassen Sie die Rippen am Akkugehäuse mit den Öffnungen am Gerät fluchten und schieben Sie den Akku bis zum hörbaren Einrasten in das Gerät.

Herausnehmen

1. Drücken Sie die Akku-Entriegelungstaste und ziehen Sie den Akku heraus.
2. Schließen Sie den Deckel des Akkufachs. Achten Sie darauf, dass der Deckel richtig geschlossen ist, damit kein Wasser mit dem Akku in Berührung kommt oder in den Akkuanschluss eindringt.

Bezeichnung der Teile von Abb. E:

E-1	Akku-Entriegelungstaste
E-2	Deckel des Akkufachs

NEBELVENTILATOR EIN-/AUSSCHALTEN

HINWEIS: Die Werkseinstellung für den Luftstrom ist Stufe 3. Der Ventilator speichert die letzte LuftstromEinstellung und verwendet diese beim nächsten Einschalten.

WICHTIG: Die Turbo-Einstellung wird nicht gespeichert.

HINWEIS: Die NebelEinstellung wird nicht gespeichert und ist beim Einschalten des Ventilators standardmäßig ausgeschaltet.

EIN-/AUS-TASTE

- Drücken Sie kurz die Ein-/Aus-Taste, um den Ventilator einzuschalten.
- Drücken Sie noch einmal kurz die Ein-/Aus-Taste, um den Ventilator auszuschalten.

LUFTSTROMEINSTELLUNG

Normale Luftgeschwindigkeit

- Drücken Sie die „+“-Taste, um den Luftstrom zu erhöhen, und die „-“-Taste, um den Luftstrom zu verringern. Es gibt 5 Drehzahlstufen.
- Die grünen LEDs der Luftstromanzeige zeigen die eingestellte Drehzahl an.

TURBO-Modus

- Drücken Sie die „TURBO“-Taste, die TURBO-Anzeige leuchtet grün und der Ventilator wechselt in den „TURBO“-Modus mit dem stärksten Luftstrom.
- Durch erneutes Drücken der „TURBO“-Taste wird der „TURBO“-Modus wieder ausgeschaltet. Die TURBO-Anzeige erlischt und der Ventilator läuft mit der vorherigen Drehzahl weiter.
- Nach Drücken der „-“-Taste im „TURBO“-Modus erlischt die TURBO-Anzeige und der Ventilator läuft auf der Drehzahlstufe 5 weiter.

NEBELFUNKTION

VERWENDUNG DES LÜFTERS MIT WASSEREIMER (NICHT ENTHALTEN) (Abb. F)

WARNUNG: Kinder können in Eimer fallen und ertrinken. Halten Sie Kinder von Eimern fern, selbst wenn diese nur wenig Flüssigkeit enthalten.

HINWEIS: Reinigen Sie den Eimer vor jedem Gebrauch mit Wasser und Seife.

1. Nehmen Sie den Akkupack heraus.
2. Stellen Sie den Eimer auf eine ebene Fläche.
3. Geben Sie NUR sauberes, kaltes Wasser in den Eimer. Nicht überfüllen.
4. Tauchen Sie das Filterende des Ansaugschlauchs in den Wassereimer.

HINWEIS: Knicken Sie den Ansaugschlauch nicht und achten Sie immer darauf, dass das Wasser ungehindert durch den Schlauch fließt.

1. Setzen Sie den Akkupack ein und schließen Sie den Deckel des Akkufachs.
2. Drücken Sie die Ein-/Aus-Taste, um den Ventilator einzuschalten.
3. Drücken Sie die Wahl Taste für die Nebelbetriebsart einmal, um den Nebel zu aktivieren:
 - Zwei grüne LEDs der Nebelanzeige leuchten und zeigen die durchgehende Nebelbetriebsart ohne Unterbrechung an.

HINWEIS: Es kann beim ersten Mal etwa 15 Sekunden dauern, bis Nebel aus den Nebeldüsen gesprüht wird. Diese Zeit benötigt das Wasser, um vom Wassereimer zu den Düsen zu fließen.

- Drücken Sie die Wahl Taste für die Nebelbetriebsart erneut: eine grüne LED der Nebelanzeige leuchtet und zeigt die pulsierende Nebelbetriebsart an (5 Sekunden Nebel alle 10 Sekunden).
- Wenn Sie in der pulsierenden Betriebsart die Wahl Taste für die Nebelbetriebsart erneut drücken, geht die Nebelanzeige aus, und der Nebel wird beendet.

HINWEIS: Ziehen Sie nach dem Beenden des Nebelbetriebs den Ansaugschlauch aus dem Wasser und lassen Sie den Ventilator noch solange im Nebelbetrieb laufen, bis der Schlauch leer ist. Dadurch wird beim erneuten Einschalten des Ventilators unerwarteter Nebel durch Restwasser im Schlauch verhindert.

VERWENDUNG DES VENTILATORS OHNE NEBELFUNKTION

Dieses Produkt kann auch lediglich als Ventilator verwendet werden, ohne ihn ans Wasser anzuschließen. Verstauben Sie den Ansaugschlauch bei Nichtgebrauch immer in dem dafür vorgesehenen Bereich (siehe Abschnitt „LAGERUNG“ in dieser Anleitung), um ihn vor Beschädigung und Schmutz zu schützen.

INNERER SCHUTZ

Wenn die Nebelfunktion aktiviert ist, aber kein Wassernebel austritt:

- Die Wasserpumpe läuft kurz weiter und stoppt dann automatisch, um die Elektronik zu schützen.
- Je nach Nebelbetriebsart leuchten eine oder zwei grüne LEDs der Nebelanzeige kurz auf und blinken dann als Hinweis für den Benutzer. Gehen Sie in diesem Fall wie folgt vor:
 - a. Überprüfen Sie, ob der Ansaugschlauch richtig ins Wasser eintaucht.

- b. Überprüfen Sie, ob die Nebeldüse(n) verstopft ist/sind, und reinigen Sie sie, wie im Abschnitt „**DÜSENREINIGUNG**“ beschrieben.
- c. Drücken Sie die Wahl taste für die Nebelbetriebsart, um die Nebelfunktion erneut zu aktivieren.

WARTUNG

⚠️ WARNUNG: Bei der Wartung nur identische Ersatzteile verwenden. Die Verwendung anderer Teile kann Unfälle und Schäden am Gerät hervorrufen. Um die Sicherheit und Zuverlässigkeit zu gewährleisten, sollten alle Reparaturen nur von qualifizierten Servicetechnikern durchgeführt werden.

⚠️ WARNUNG: Um ernsthafte Personenschäden zu vermeiden, entfernen Sie immer den Akkusatz aus dem Produkt, wenn Sie das Gerät säubern oder Wartungsarbeiten vornehmen.

ALLGEMEINE WARTUNG

Zum Reinigen von Kunststoffteilen Lösungsmittel vermeiden. Die verschiedenen handelsüblichen Lösungsmittel greifen die meisten Kunststoffe an. Verwenden Sie saubere Lappen zum Entfernen von Schmutz, Staub, Öl, Fett usw.

⚠️ WARNUNG: Immer darauf achten, dass keine Bremsflüssigkeit, Benzin, Mineralöl-Erzeugnisse, durchdringende Öle usw. mit den Kunststoffteilen in Berührung kommen. Chemikalien können Kunststoffe angreifen, schwächen oder zerstören, was zu schweren Verletzungen führen kann.

DÜSENREINIGUNG (Abb. G)

⚠️ WARNUNG: Um Wasserlecks vorzubeugen, müssen die Düsen sorgfältig gereinigt werden. Auslaufendes Wasser kann zu rutschigen Oberflächen führen und damit Rutsch- und Sturzgefahr oder Sachschäden hervorrufen.

Düsen reinigen

1. Schalten Sie den Ventilator aus und nehmen Sie den Akkupack heraus.
2. Schrauben Sie die verstopften Messing-Nebeldüsen GEGEN DEN UHRZEIGERSINN ab.
3. Zerlegen Sie die Düsen in ihre Einzelteile.
4. **Zum Entfernen von Fremdkörpern**, durch die die Düsen verstopft oder verengt werden, spülen Sie die Düsentteile mit Wasser. **Zum Entfernen von Kalkablagerungen** werden die Düsentteile je nach Bedarf mit Haushaltsessig oder einem anderen Entkalker gereinigt.

5. Setzen Sie die Düsen wieder zusammen.

HINWEIS: Um Verstopfungen zu vermeiden, ist darauf zu achten, dass die Düsen genau wie in Abb. G gezeigt zusammengesetzt werden.

6. Schrauben Sie die sauberen Düsen wieder ein.

FILTERWARTUNG (Abb. H)

Überzeugen Sie sich regelmäßig vom ordnungsgemäßen Zustand des Filters am Ende des Ansaugschlauchs.

1. Ziehen Sie den Filter vom Ansaugschlauch ab.
2. Schrauben Sie den Filter auf und nehmen Sie das Schwammgewebe heraus.
3. Spülen Sie das Schwammgewebe aus oder ersetzen Sie es bei Bedarf.
4. Bauen Sie den Filter wieder zusammen und stecken Sie ihn auf den Ansaugschlauch.

Bezeichnung der Teile von Abb. H:

H-1	Filter	H-3	Schwammgewebe
H-2	Oberer Teil	H-4	Unterer Teil

INSTANDHALTUNG DES VENTILATORGEHÄUSES (Abb. I1 und Abb. I2)

⚠️ WARNUNG: Vor dem Abnehmen des Schutzgitters muss der Akkupack herausgenommen werden.

1. Schrauben Sie die sechs Schrauben ab und ziehen Sie das vordere Schutzgitter EINEN SPALT WEIT vom Ventilatorgehäuse ab.

VORSICHT: Bevor das vordere Schutzgitter ganz abgenommen werden kann, muss ZUERST der Ansaugschlauch abgezogen werden.

2. Drücken Sie auf den schwarzen Gummi am Ende der Mutter und ziehen Sie den Ansaugschlauch heraus.
3. Nehmen Sie das vordere Schutzgitter ganz ab.
4. Drehen Sie die Sicherungsmutter der Ventilatorflügel im Uhrzeigersinn, um die Ventilatorflügel zu lockern.
5. Ziehen Sie die Ventilatorflügel von der Welle ab.
6. Reinigen Sie die Ventilatorflügel und das Innere des Gehäuses nach Bedarf.
7. Setzen Sie die Teile in umgekehrter Reihenfolge wieder zusammen und achten Sie darauf, dass:
 - der Ansaugschlauch richtig mit der Mutter verbunden ist.

- der Ansaugschlauch richtig in die Aussparung des Schutzgitters eingesetzt ist.

Bezeichnung der Teile von Abb. I1 und I2:

I1-1	Vorderes Schutzgitter	I1-4	Schwarzer Gummi
I1-2	Schraube (6)	I1-5	Ansaugschlauch
I1-3	Mutter	I2-1	Sicherungsmutter
I2-2	Ventilatorflügel		

TRANSPORT

- Der Ventilator ist oben mit einem Griff versehen, um ihn über kurze Strecken oder unebenes Gelände zu tragen.
- Verwenden Sie für längere Strecken den Teleskopgriff, um den Ventilator zu rollen. Kippen Sie den Ventilator mit dem oberen Griff und ziehen Sie den Teleskopgriff heraus, bis ein Klick zu hören ist. Schieben Sie den Teleskopgriff in seine Aufnahme zurück, wenn Sie ihn nicht verwenden (Abb. J).

LAGERUNG

1. Nehmen Sie den Akku ab.
2. Lüfter gründlich reinigen.
3. Entleeren Sie den Ansaugschlauch und den Filter.
4. Verstauen Sie den Ansaugschlauch in einem der beiden vorgesehenen Bereiche auf der Rückseite des Ventilators (Abb. K1 und Abb. K2).
5. Bewahren Sie den Ventilator an einem trockenen, gut belüfteten Ort außer Reichweite von Kindern auf. Stellen Sie den Ventilator nicht auf oder neben Düngemittel, Benzin oder andere Chemikalien.

SCHUTZ DER UMWELT



Elektrogeräte, alte Akkus und Ladegeräte dürfen nicht im Hausmüll entsorgt werden! Das Gerät muss einer offiziellen Recycling-Sammelstelle zur getrennten Entsorgung zugeführt werden. Elektrowerkzeuge müssen bei einem umweltfreundlichen Recycling-Betrieb abgegeben werden.

STÖRUNGSBEHEBUNG

DE

PROBLEM	URSACHE	LÖSUNG
Werkzeug funktioniert nicht.	<ul style="list-style-type: none"> ■ Akkupack schwach. ■ Akkupack oder Lüfter zu heiß. 	<ul style="list-style-type: none"> ■ Den Akku aufladen. ■ Ventilator ausschalten und Ventilator und Akkupack abkühlen lassen.
Es tritt kein Wasserebel aus und die zwei grünen LEDs der Nebelanzeige blinken.	<ul style="list-style-type: none"> ■ Ansaugschlauch saugt kein Wasser an und die Schutzvorrichtung für die Wasserpumpe wurde aktiviert. ■ Nebeldüse(n) wurde(n) während des Betriebs verstopft und die Schutzvorrichtung für die Wasserpumpe aktiviert. 	<ul style="list-style-type: none"> ■ Prüfen, dass sich genügend Wasser im Eimer befindet und der Ansaugschlauch richtig in das Wasser eintaucht. ■ Düse(n) gemäß Abschnitt „DÜSENREINIGUNG“ reinigen und wie beschrieben wieder zusammensetzen.
Wasserleck nach Instandhaltung des Ventilatorgehäuses.	<ul style="list-style-type: none"> ■ Mit dem Ansaugschlauch verbundene Mutter hat sich gelöst. 	<ul style="list-style-type: none"> ■ Ventilatorgehäuse gemäß Abschnitt „INSTANDHALTUNG DES VENTILATORGEHÄUSES“ öffnen. Prüfen, dass die Mutter richtig festgezogen ist.

GARANTIE

EGO-GARANTIEBEDINGUNGEN

Sämtliche EGO Garantiebedingungen finden Sie auf der Website egopowerplus.com.

LISEZ TOUTES LES INSTRUCTIONS!

FR



LISEZ LE MANUEL D'UTILISATION

⚠ AVERTISSEMENT : Pour garantir la sécurité et la fiabilité, toutes les réparations et tous les changements de pièce doivent être effectués par un réparateur qualifié.

SYMBOLES DE SÉCURITÉ

L'objectif des symboles de sécurité est d'attirer votre attention sur des dangers potentiels. Les symboles de sécurité et les explications les accompagnant doivent être lus attentivement et compris. Les symboles de mise en garde ne permettent pas par eux-mêmes d'éliminer les dangers. Les consignes et mises en garde ne se substituent pas à des mesures de prévention appropriées des accidents.

⚠ AVERTISSEMENT : Lisez et comprenez impérativement toutes les consignes de sécurité de ce manuel d'utilisation, y compris les symboles de mise en garde de sécurité tels que « **DANGER** », « **AVERTISSEMENT** » et « **ATTENTION** » avant d'utiliser cet outil. Le non-respect de toutes les instructions énumérées ci-dessous peut entraîner un choc électrique, un incendie et / ou des blessures graves.

	Alerte de sécurité	Précautions concernant votre sécurité.
	Lire et comprendre le manuel d'utilisation	Pour réduire le risque de blessures, l'utilisateur doit lire et comprendre le manuel d'utilisation avant d'utiliser ce produit.
	Pluie	Ne pas exposer à la pluie.
	CE	Ce produit est conforme aux directives CE applicables.
	UKCA	Ce produit est conforme à la législation britannique applicable.

	DEEE	Les produits électriques usagés ne doivent pas être jetés avec les ordures ménagères. Apportez-les dans un centre de recyclage agréé.
IPX4	Indice de protection	Protection contre les éclaboussures d'eau
	Courant continu	Type ou caractéristique du courant
V	Volts	Tension
cm	Centimètre	Longueur ou taille
m/s	Mètres par seconde	Vitesse
L/h	Litres par heure	Débit
°C	Celsius	Température
kg	Kilogramme	Poids

MISES EN GARDE GÉNÉRALES

⚠ AVERTISSEMENT : Pour réduire les risques d'incendie, de choc électrique ou de blessures :

- **Description de votre ventilateur brumisateur. Lisez attentivement le manuel d'utilisation. Renseignez-vous sur les applications et les limites d'utilisation du ventilateur, ainsi que sur les dangers potentiels spécifiques intrinsèques à ce ventilateur.** Le respect de cette règle permet de réduire les risques de choc électrique, d'incendie et de blessures graves.
- Cet appareil n'est pas conçu pour être utilisé par des personnes (y compris les enfants) dont les capacités physiques, sensorielles ou mentales sont réduites, ou des personnes dénuées d'expérience ou de connaissance, sauf si elles ont pu bénéficier, par l'intermédiaire d'une personne responsable de leur sécurité, d'une surveillance ou d'instructions préalables concernant l'utilisation de l'appareil.
- Il convient de surveiller les enfants pour s'assurer qu'ils ne jouent pas avec l'appareil.

SÉCURITÉ DE L'AIRE DE TRAVAIL

- **N'utilisez pas le ventilateur dans des atmosphères explosives, par exemple en présence de liquides, de gaz ou de poussières inflammables.**

- **Veillez à ce que les enfants et les autres personnes restent éloignés pendant l'utilisation d'un appareil électrique.** Un moment d'inattention peut vous faire perdre le contrôle de l'outil.
- **Soyez prudent(e) lors de l'utilisation dans des conditions de grands vents.** Les vents peuvent déplacer la brume vers des câbles ou des appareils électriques.
- **N'exposez pas l'appareil à la pluie ou à des conditions humides.** Si de l'eau pénètre dans un appareil, ceci accroît le risque de choc électrique.

SÉCURITÉ DES PERSONNES

- **Faites preuve de vigilance et de concentration sur ce que vous faites et exercez votre bon sens lors de l'utilisation d'un appareil. N'utilisez pas l'appareil en cas de fatigue ou de mauvaise humeur ni sous l'emprise d'alcool, de drogues ou de médicaments.** Un moment d'inattention pendant l'utilisation peut provoquer des blessures corporelles graves.
- Évitez les démarrages accidentels. Vérifiez que l'interrupteur marche/arrêt est dans la position arrêt avant de brancher l'outil à la batterie, de saisir l'appareil ou de le porter. Porter l'appareil avec le doigt sur l'interrupteur ou le raccorder à l'électricité alors que l'appareil est en position marche augmente le risque d'accident.
- **Retirez toutes les clés de réglage et de serrage avant de mettre l'appareil en marche.** Une clé de réglage ou de serrage laissée sur une pièce rotative de l'appareil peut provoquer des blessures corporelles.
- **N'essayez pas de travailler des endroits difficiles à atteindre. Conservez en permanence des appuis des pieds solides et un bon équilibre.** Cela permet un meilleur contrôle de l'appareil en cas de situations inattendues.
- **Portez une tenue adaptée. Ne portez pas de vêtement ample ni de bijou. Maintenez vos cheveux et vos vêtements éloignés des pièces mobiles.** Les vêtements amples, les bijoux et les cheveux longs peuvent se prendre dans les pièces mobiles.
- **Vérifiez que tous les raccords sont bien fixés avant de faire fonctionner l'appareil.**
- **Continuez à respecter les consignes de sécurité même si vous vous sentez familiarisé(e) à l'utilisation de l'appareil.** La négligence peut provoquer des blessures graves en une fraction de seconde.

UTILISATION ET ENTRETIEN

- **N'utilisez pas l'appareil si son interrupteur marche/arrêt ne permet pas de l'allumer et de l'éteindre.** Tout appareil qui ne peut pas être contrôlé

avec son interrupteur marche/arrêt est dangereux et doit être réparé.

- **Déconnectez la batterie de l'appareil avant d'effectuer un réglage, de changer un accessoire ou de ranger l'appareil.** Cette mesure de sécurité préventive permet de réduire le risque de démarrage accidentel de l'appareil.
- **Conservez l'appareil à l'arrêt hors de portée des enfants et ne laissez pas des personnes non familiarisées avec l'appareil ou ces consignes utiliser l'appareil.** Les appareils électriques sont dangereux dans les mains de personnes inexpérimentées.
- **Entretenez l'appareil et les accessoires. Contrôlez le ventilateur pour vérifier qu'aucune pièce mobile n'est grippée ou mal alignée, qu'aucune pièce n'est cassée et pour repérer tout autre problème qui pourrait affecter son fonctionnement. S'il est endommagé, faites réparer l'appareil avant de l'utiliser.** De nombreux accidents sont dus à des appareils mal entretenus.
- **Utilisez l'appareil, ses accessoires et toutes les autres pièces conformément aux présentes consignes, en prenant en compte les conditions d'utilisation et le travail à effectuer.** L'utilisation de l'appareil à d'autres finalités que celles pour lesquelles il a été conçu peut engendrer des situations dangereuses.
- **Maintenez les poignées et surfaces de préhension propres, sèches et exemptes d'huile et de graisse.** Les poignées et surfaces de préhension glissantes ne permettent pas de tenir et de contrôler l'outil de manière sûre en cas de situations inattendues.

⚠ AVERTISSEMENT : Pour réduire le risque d'incendie ou de choc électrique, n'utilisez pas ce ventilateur avec un régulateur de vitesse à semi-conducteur.

UTILISATION ET ENTRETIEN DE LA BATTERIE

- **Rechargez la batterie exclusivement avec le chargeur spécifié par le fabricant. Un chargeur adapté à un type de batterie en particulier peut présenter un risque d'incendie s'il est utilisé avec une batterie différente.**
- **Utilisez l'appareil uniquement avec la batterie indiquée. L'utilisation de toute autre batterie peut engendrer un risque de blessures et d'incendie.**
- **Lorsque la batterie n'est pas utilisée, elle doit être rangée à l'écart de tout objet métallique, tel que les trombones, pièces de monnaie, clés, clous, vis et tous les autres petits objets métalliques pouvant mettre en contact ses bornes.** Mettre en court-circuit les bornes de la batterie peut provoquer des brûlures et un incendie.

- **Si la batterie est soumise à des conditions d'utilisation excessives, du liquide peut s'en échapper. Évitez tout contact avec ce liquide. En cas de contact accidentel, rincez à grande eau. En cas de contact avec les yeux, vous devez en outre consulter un médecin.** Le liquide qui s'échappe des batteries peut provoquer des irritations et des brûlures.
- **N'utilisez pas une batterie ou un appareil endommagé ou modifié.** Les batteries modifiées ou endommagées peuvent avoir un comportement imprévisible susceptible de provoquer un incendie, une explosion ou un risque de blessure.
- **N'exposez pas la batterie ou l'appareil à des flammes ou à une température excessive.** L'exposition au feu ou à des températures supérieures à 130°C peut provoquer une explosion.
- **Respectez toutes les consignes de recharge et ne rechargez pas la batterie ou l'appareil hors de la plage de température spécifiée dans le manuel.** La recharge incorrecte ou à des températures hors de la plage spécifiée peut endommager la batterie et accroître le risque d'incendie.
- **Veillez à ce que l'appareil et sa poignée restent propres, secs et exempts d'huile et de graisse. Utilisez toujours un chiffon propre pour nettoyer l'outil. N'utilisez jamais de liquide de frein, d'essence, de produit à base de pétrole, ni de solvant puissant pour nettoyer votre ventilateur.** Le respect de cette règle permet de réduire le risque de perte de contrôle et de détérioration du plastique du boîtier.
- **Les batteries peuvent exploser en présence d'une source d'embrassement, par exemple une flamme pilote. Pour réduire le risque de blessure corporelle grave, n'utilisez jamais aucun produit sans fil en présence d'une flamme nue. Une batterie qui explose peut projeter des débris et des substances chimiques.** En cas d'exposition, rincez immédiatement à grande eau.
- **Conservez cette notice d'utilisation.** Consultez-la fréquemment et servez-vous-en pour informer les autres personnes souhaitant utiliser cet appareil. Si vous prêtez cet appareil à un tiers, prêtez-lui également ce manuel pour éviter une utilisation incorrecte du produit et le risque de blessures potentielles.

RÉPARATION

- **Faites réparer votre appareil par un professionnel qui n'utilisera que des pièces de recharge identiques.** Ceci permet de garantir la sûreté de l'appareil.
- **Ne réparez jamais les batteries endommagées.** La réparation des batteries doit toujours être effectuée par le fabricant ou des réparateurs agréés.
- **Ayez conscience qu'un taux d'humidité élevé peut favoriser la croissance d'organismes biologiques dans l'environnement.**
- **Ne laissez pas la zone autour du ventilateur brumisateur devenir humide ou mouillée.** En cas d'humidité, réduisez la puissance du ventilateur brumisateur. Si la puissance du ventilateur brumisateur ne peut pas être réduite, utilisez l'humidificateur par intermittence. Ne laissez pas les matériaux absorbants, tels que la moquette, les rideaux, les draperies ou les nappes, devenir humides.
- **Ne laissez jamais d'eau dans le réservoir lorsque l'appareil n'est pas utilisé.**
- **Videz et nettoyez le ventilateur brumisateur avant de le ranger. Nettoyez l'humidificateur avant la prochaine utilisation.**

CONSIGNES DE SÉCURITÉ POUR LE VENTILATEUR BRUMISATEUR SANS FIL

- **Le ventilateur ne doit jamais être utilisé comme jouet.** Une supervision étroite est nécessaire quand l'outil est utilisé par ou près d'enfants.
- **Les enfants peuvent tomber dans un seau et s'y noyer.** Tenez les enfants éloignés des seaux contenant ne serait-ce qu'une petite quantité de liquide.
- **Utilisez UNIQUEMENT de l'eau propre et froide.**
- **N'utilisez pas ce ventilateur brumisateur pour pulvériser des pesticides, des engrais liquides, des produits chimiques ou tout liquide autre que de l'eau propre.** Répandre ces substances peut provoquer des blessures graves chez l'opérateur et les passants.
- **Ne dirigez jamais la brume ou l'eau vers des câbles ou des appareils électriques.**
- **Assurez-vous que le couvercle du compartiment de la batterie est complètement fermé pour éviter que l'eau n'entre en contact avec la batterie ou ne pénètre dans son port.**
- **Les batteries rechargeables doivent être retirées de l'appareil avant d'être chargées.**
- **Les piles épuisées doivent être retirées de l'appareil et éliminées en toute sécurité.**

⚠ AVERTISSEMENT : Les micro-organismes qui peuvent être présents dans l'eau ou dans l'environnement où l'appareil est utilisé ou stocké, peuvent se développer dans le réservoir d'eau et être projetés dans l'air en entraînant des risques très graves pour la santé lorsque l'eau n'est pas renouvelée et que le réservoir n'est pas correctement nettoyé tous les 3 jours.

- Si l'appareil doit être stocké pendant une période prolongée, retirez-en la batterie.
- Les bornes d'alimentation ne doivent pas être court-circuitées.

CONSERVEZ CES INSTRUCTIONS

SPÉCIFICATIONS

Tension	56 V
Diamètre de pale de ventilateur	45,7 cm
Réglages de la vitesse du ventilateur	6 (dont "Turbo")
Max. Volume d'air	7000 m ³ /h
Max. Vitesse de l'air	10,3 m/s
Volume d'eau de brumisation	I : 4,5 L/h
	II : 11,4 L/h
Température de stockage recommandée	-20°C ~ 70°C
Poids (sans batterie)	10,4 kg

CONTENU DE L'EMBALLAGE

NOM DES PIÈCES		QUANTITÉ
Ventilateur brumisateur		1
Assemblage de roue	Roue	2
	Enjoliveur	2
	Vis avec rondelle	2
Assemblage de la poignée supérieure	Poignée supérieure	1
	Vis avec rondelle	4
Clé		1
Buse de rechange		1
Manuel d'utilisation		1

DESCRIPTION

DESCRIPTION DE VOTRE VENTILATEUR BRUMISATEUR (Fig. A & Fig. A1)

1. Poignée supérieure
2. Boîtier de ventilateur
3. Bouton de verrouillage du boîtier du ventilateur
4. Roue (x2)
5. Buse de brumisation (x4)
6. Poignée télescopique
7. Compartiment de la batterie
8. Tube d'admission
9. Filtre
10. Interface de contrôle
11. Bouton de marche
12. Indicateur de vitesse de l'air
13. Indicateur TURBO
14. Bouton TURBO
15. Bouton de réglage de la vitesse de l'air
16. Bouton de sélection du mode de brumisation
17. Indicateur de brumisation

FR

ASSEMBLAGE

⚠ AVERTISSEMENT : Si une ou plusieurs pièces sont manquantes ou endommagées, n'utilisez pas cet outil tant que toutes les pièces n'ont pas été remplacées. Utiliser cet outil avec des pièces endommagées ou manquantes peut provoquer des blessures corporelles graves.

⚠ AVERTISSEMENT : N'essayez pas de modifier ce produit ou de créer des accessoires non recommandés pour l'usage avec ce ventilateur. De tels modifications et changements constituent un usage impropre et peuvent engendrer des situations dangereuses pouvant provoquer des blessures corporelles graves.

⚠ AVERTISSEMENT : Toujours retirer la batterie du produit avant d'assembler des pièces, d'effectuer une opération de réglage ou de nettoyage, et lorsque vous n'utilisez pas le produit. Retirer la batterie permet de prévenir un démarrage accidentel pouvant provoquer des blessures corporelles graves.

ASSEMBLAGE DES ROUES (Fig. B)

1. Alignez le trou de l'une des roues avec l'essieu de roue du ventilateur et montez la roue sur l'essieu.
2. Insérez l'une des vis de roue dans l'essieu en passant à travers le trou de la roue, puis serrez la vis avec la clé fournie.
3. Montez l'enjoliveur sur la roue.
4. Assemblez l'autre roue en suivant les étapes 1 à 3 ci-dessus.

FIXATION DE LA POIGNÉE SUPÉRIEURE (Fig. C)

1. Alignez les quatre vis fournies avec les trous de la poignée supérieure et les trous du boîtier du ventilateur.
2. Sersrez les vis, puis serrez-les à l'aide de la clé fournie.

Pour une description des pièces des Fig. B et C, voir ci-dessous :

B-1	Roue (2)	B-3	Vis avec rondelle (2)
B-2	Essieu de roue (2)	B-4	Enjoliveur (2)
C-1	Poignée supérieure	C-2	Vis avec rondelle (4)
C-3	Trou de vis		

FONCTIONNEMENT

⚠ VERTISSEMENT : Veillez à ne pas devenir moins prudent(e) au fur et à mesure que vous vous familiarisez avec cet outil. Gardez à l'esprit qu'une fraction de seconde d'inattention peut suffire pour provoquer des blessures graves.

⚠ AVERTISSEMENT : N'utilisez aucun accessoire ou pièce non recommandé par le fabricant de ce produit. L'utilisation d'accessoires ou de pièces non recommandés peut provoquer des blessures corporelles graves.

Avant chaque utilisation, inspectez le produit complet à la recherche de pièces endommagées, manquantes ou desserrées telles que des vis, écrous, boulons, capuchons, etc. Serrez fermement toutes les fixations et capuchons et ne faites pas fonctionner ce produit tant que toutes les pièces manquantes ou endommagées n'ont pas été remplacées.

⚠ AVERTISSEMENT : Retirez toujours la batterie du produit avant d'assembler des pièces, d'effectuer une opération de réglage ou de nettoyage et quand vous n'utilisez pas l'appareil. Retirer la batterie permet de prévenir un démarrage accidentel pouvant provoquer des blessures corporelles graves.

APPLICATIONS

Vous pouvez utiliser cet outil pour les usages listés ci-dessous :

- Ventilation générale dans la plupart des applications domestiques
- Ventilation extérieure reliée à une source d'eau

RÉGLAGE DE L'ANGLE DU VENTILATEUR (Fig. D)

1. Saisissez la poignée supérieure pour maintenir le boîtier du ventilateur.
2. Tournez le bouton de blocage du boîtier dans le sens ANTIHORAIRE pour desserrer le boîtier ajustable.
3. Inclinez le boîtier du ventilateur vers l'avant ou l'arrière selon l'angle souhaité. Le ventilateur peut pivoter jusqu'à 90° vers l'avant et 135° vers l'arrière.
4. Tournez le bouton de blocage dans le sens HORAIRE pour fixer le boîtier du ventilateur à l'angle souhaité.

INSERTION/RETRAIT DE LA BATTERIE (Fig. E)

Utilisez exclusivement les batteries et les chargeurs EGO listés au schéma A2.

Rechargez complètement la batterie avant la première utilisation.

Pour attacher la batterie

1. Tirez sur le couvercle du compartiment de la batterie pour l'ouvrir.
2. Alignez les arêtes de la batterie avec les rainures d'assemblage et appuyez la batterie vers le bas jusqu'à entendre un déclic.

Pour retirer la batterie

1. Appuyez sur le bouton de déblocage de la batterie et retirez la batterie.
2. Poussez sur le couvercle du compartiment pour le fermer. Assurez-vous qu'il est complètement fermé pour empêcher l'eau d'entrer en contact avec la batterie ou de pénétrer dans le port de la batterie.

Pour une description des pièces de la Fig. E, voir ci-dessous :

E-1	Bouton de déblocage de la batterie
E-2	Couvercle du compartiment de la batterie

DÉMARRAGE/ARRÊT DU VENTILATEUR BRUMISATEUR

REMARQUE : Le réglage par défaut de la vitesse de l'air est le niveau 3. Le ventilateur enregistre le dernier réglage de vitesse d'air utilisé et y revient au redémarrage.

IMPORTANT : Le réglage du turbo ne sera pas sauvegardé.

REMARQUE : Le réglage de la brumisation ne sera pas sauvegardé et, par défaut, il sera désactivé à chaque démarrage du ventilateur.

BOUTON DE MARCHÉ

- Appuyez brièvement sur le bouton de marche pour allumer le ventilateur.
- Appuyez à nouveau brièvement sur le bouton de marche pour éteindre le ventilateur.

RÉGLAGE DE LA VITESSE DE L'AIR

Vitesse normale de l'air

- Appuyez sur le bouton "+" pour accélérer la vitesse de l'air et sur le bouton "-" pour la réduire. Il existe 5 niveaux de vitesse.
- L'indicateur de vitesse de l'air affiche des voyants verts correspondant à la vitesse actuelle.

Mode TURBO

- Appuyez sur le bouton "TURBO", l'indicateur TURBO s'allume en vert et le ventilateur passe en mode "TURBO", c'est-à-dire à la vitesse d'air la plus élevée.
- En mode "TURBO", réappuyez sur le bouton "TURBO", l'indicateur TURBO s'éteint et le ventilateur reprend sa vitesse précédente.
- En mode "TURBO", appuyez sur le bouton "-", l'indicateur TURBO s'éteint et le ventilateur passe à la vitesse 5.

FONCTION DE BRUMISATION

UTILISATION DU VENTILATEUR AVEC UN SEAU D'EAU (NON INCLUS) (Fig. F)

⚠ AVERTISSEMENT : Les enfants peuvent tomber dans un seau et s'y noyer. Tenez les enfants éloignés des seaux contenant même une petite quantité de liquide.

REMARQUE : Nettoyez le seau avec de l'eau et du savon avant chaque utilisation.

1. Déconnectez la batterie.
2. Placez le seau sur une surface plane et horizontale.
3. Ajoutez UNIQUEMENT de l'eau propre et froide dans le seau. Ne remplissez pas le seau à ras bord.
4. Plongez l'extrémité filtrante du tube d'admission dans le seau d'eau.

REMARQUE : Ne pliez pas le tube d'admission et assurez-vous toujours que l'eau s'écoule sans problème dans le tube.

5. Installez la batterie et fermez le couvercle du compartiment de la batterie.
6. Appuyez sur le bouton de marche pour mettre le ventilateur en marche.

7. Appuyez sur le bouton de sélection du mode de brumisation pour démarrer la brumisation :
 - Appuyez une fois sur le bouton de sélection du mode de brumisation et l'indicateur de brumisation affiche deux voyants verts, c'est le mode de brumisation « continu », c'est-à-dire une brumisation permanente sans interruption.

REMARQUE : Environ 15 secondes peuvent s'écouler avant que de la brume ne sorte des buses de brumisation la première fois. Ce délai est dû au temps nécessaire à l'eau pour parvenir aux buses depuis le seau d'eau.

- Réappuyez sur le bouton de sélection du mode de brumisation et l'indicateur de brumisation affiche un seul voyant vert qui indique le mode de brumisation « intermittent » - une brumisation pendant 5 secondes toutes les 10 secondes.
- Lorsque la brumisation est en mode intermittent, réappuyez sur le bouton de sélection du mode de brumisation, les voyants de brumisation s'éteignent et la brumisation s'arrête.

REMARQUE : Lorsque l'opération de brumisation est terminée, sortez le tube d'admission hors de l'eau et faites fonctionner le ventilateur en mode brumisation jusqu'à ce que toute l'eau soit évacuée du tube. Ceci permet d'éviter que l'eau résiduelle dans le tube ne provoque une brume inattendue lorsque le ventilateur est remis en marche.

UTILISATION DU VENTILATEUR SANS BRUMISATION

Si vous le souhaitez, ce produit peut être utilisé comme un ventilateur uniquement, lorsqu'il n'est pas relié à une source d'eau. Lorsqu'il n'est pas utilisé, placez toujours le tube d'admission dans son rangement (voir la partie « STOCKAGE » de ce manuel) pour le protéger contre les dommages et la contamination.

PROTECTION INTERNE

Lorsque la fonction de brumisation est activée mais qu'aucune brume n'est produite :

- La pompe à eau continue de fonctionner pendant un court instant, puis s'arrête automatiquement pour protéger l'électronique interne.
- Selon le mode de brumisation, l'indicateur de brumisation affichera un ou deux voyants verts fixes pendant un court instant, puis fera clignoter le ou les voyants verts pour alerter l'opérateur de :
 - a. Vérifier si le tube d'admission est correctement immergé dans l'eau.

- b. Vérifier qu'aucune buse de brumisation n'est bouchée, sinon nettoyez-la comme indiqué au chapitre « **ENTRETIEN DES BUSES** ».
- c. Appuyez sur le bouton de sélection du mode de brumisation pour relancer la brumisation.

ENTRETIEN

⚠ AVERTISSEMENT : L'outil ne doit être réparé qu'avec des pièces de rechange identiques. L'utilisation de toute autre pièce peut créer un danger ou détériorer l'outil. Pour garantir la sécurité et la fiabilité, toutes les réparations doivent être effectuées par un réparateur qualifié.

⚠ AVERTISSEMENT : Pour vous prémunir contre des blessures corporelles graves, retirez toujours la batterie de l'outil avant toute opération de nettoyage ou d'entretien.

ENTRETIEN GÉNÉRAL

N'utilisez pas de solvant pour nettoyer les pièces en plastique. La plupart des plastiques peuvent être détériorés par de nombreux types de solvants vendus dans le commerce. Utilisez des chiffons propres pour enlever les saletés, les poussières, l'huile, la graisse, etc.

⚠ AVERTISSEMENT : Ne laissez jamais des liquides de frein, de l'essence, des produits à base de pétrole, des huiles pénétrantes, etc. entrer en contact avec les pièces en plastique. Les produits chimiques peuvent endommager, fragiliser ou détruire les pièces en plastique, ce qui peut provoquer des blessures corporelles graves.

ENTRETIEN DES BUSES (Fig. G)

⚠ AVERTISSEMENT : Veillez à ce que l'entretien des buses de brumisation soit effectué correctement pour éviter les fuites d'eau. Ces fuites peuvent rendre la surface glissante et créer un risque de glissade et de chute ou causer des dommages matériels.

Pour déboucher les buses

1. Éteignez le ventilateur et retirez la batterie.
2. Retirez les buses de brumisation en laiton obstruées en les faisant tourner dans le sens ANTIHORAIRE.
3. Démontez chaque buse concernée en pièces détachées.
4. Pour éliminer la saleté qui obstrue les buses, rincez les différentes pièces des buses avec de l'eau. Pour éliminer l'accumulation de tartre, nettoyez les pièces de la buse avec du vinaigre blanc ou un autre produit détartrant si nécessaire.

5. Remontez les buses.

REMARQUE : Pour éviter toute obstruction, veillez à ce que la buse soit assemblée exactement comme indiqué sur la figure G.

6. Remettez les buses propres en place.

ENTRETIEN DU FILTRE (Fig. H)

Examinez périodiquement le filtre situé à l'extrémité du tube d'admission pour vous assurer qu'il est en bon état.

1. Retirez le filtre du tube d'admission.
2. Dévissez le filtre en pièces détachées et retirez le maillage.
3. Rincez le maillage ou remplacez-le si nécessaire.
4. Remontez le filtre et reconnectez-le au tube d'admission.

Pour une description des pièces de la Fig. H, voir ci-dessous :

H-1	Filtre	H-3	Maillage
H-2	Partie supérieure	H-4	Partie inférieure

ENTRETIEN DU BOITIER DU VENTILATEUR (Fig. I1 & Fig. I2)

⚠ AVERTISSEMENT : Assurez-vous que les batteries sont retirées du produit avant de retirer la grille de protection.

1. Desserrez et retirez les six vis pour soulever PARTIELLEMENT la grille de protection avant du boîtier du ventilateur.

⚠ ATTENTION : Pour éviter tout dommage, ne retirez pas complètement la grille de protection avant sans déconnecter le tube d'admission D'ABORD.

2. Appuyez sur le caoutchouc noir à l'extrémité de l'écrou pour retirer le tube d'admission.
3. Retirez complètement la grille de protection avant.
4. Faites tourner le couvercle de blocage de la pale du ventilateur dans le sens des aiguilles d'une montre pour libérer la pale du ventilateur de l'arbre.
5. Retirez la pale du ventilateur.
6. Nettoyez la pale du ventilateur et l'intérieur du boîtier le cas échéant.
7. Remontez-les dans l'ordre inverse et assurez-vous que :
 - le tube d'admission est correctement connecté à l'écrou.

- le tube d'admission est placé correctement dans la fente de la grille de protection.

Pour une description des pièces de la Fig. I1 et I2, voir ci-dessous :

I1-1	Grille de protection avant	I1-4	Caoutchouc noir
I1-2	Vis (6)	I1-5	Tube d'admission
I1-3	Écrou	I2-1	Couvercle de blocage
I2-2	Pale de ventilateur		

TRANSPORT

- Le ventilateur est équipé d'une poignée supérieure pour le transporter sur de courtes distances ou pour traverser des surfaces/terrains accidentés.
- Pour le transport sur de longues distances, utilisez la poignée télescopique pour faire rouler le ventilateur. Utilisez la poignée supérieure pour incliner le ventilateur, puis tirez sur la poignée télescopique pour la faire sortir jusqu'à ce que vous entendiez un "clic". Lorsque la poignée télescopique n'est pas utilisée, poussez-la dans l'outil (Fig. J).

RANGEMENT

1. Retirez la batterie.
2. Nettoyez soigneusement le ventilateur.
3. Videz le tube d'admission et le filtre.
4. Placez le tube d'admission dans l'une des positions de rangement situées à l'arrière du ventilateur (Fig. K1 & Fig. K2).
5. Rangez le ventilateur dans un endroit sec, bien aéré et hors de portée des enfants. Ne rangez pas le ventilateur sur ou à côté d'engrais, d'essence ou d'autres substances chimiques.

PROTECTION DE L'ENVIRONNEMENT



Ne jetez pas les équipements électriques, les batteries et les chargeurs usagés avec les ordures ménagères ! Apportez ce produit chez un recycleur agréé et rendez-le disponible pour une collecte séparée. Les outils électriques doivent être amenés dans un centre de recyclage pour assurer le respect de l'environnement.

FR

DÉPANNAGE

FR

PROBLÈME	CAUSE	SOLUTION
L'outil ne fonctionne pas.	<ul style="list-style-type: none"> ■ Batterie faible. ■ La batterie ou le ventilateur est trop chaud. 	<ul style="list-style-type: none"> ■ Rechargez la batterie. ■ Éteignez le ventilateur et laissez le ventilateur et la batterie refroidir.
Il n'y a pas de brume et l'indicateur de brumisation affiche deux voyants verts clignotants.	<ul style="list-style-type: none"> ■ Le tube d'admission n'aspire pas d'eau, ce qui active la protection interne de la pompe à eau à l'intérieur de l'outil. ■ La ou les buses de brumisation se sont bouchées pendant le fonctionnement, activant la protection interne de la pompe à eau. 	<ul style="list-style-type: none"> ■ Assurez-vous qu'il y a suffisamment d'eau dans le seau et que le tube d'admission est correctement immergé dans l'eau. ■ Nettoyez la ou les buses conformément au chapitre « ENTRETIEN DES BUSES » et remontez-les en suivant les consignes.
Une fuite d'eau se produit après entretien du boîtier du ventilateur.	<ul style="list-style-type: none"> ■ L'écrou qui relie le tube d'admission s'est desserré inopinément. 	<ul style="list-style-type: none"> ■ Ouvrez le boîtier du ventilateur conformément au chapitre « ENTRETIEN DU BOITIER DU VENTILATEUR ». Inspectez l'écrou et assurez-vous qu'il est entièrement serré.

GARANTIE

POLITIQUE DE GARANTIE EGO

Visitez le site Web egopowerplus.com pour consulter l'intégralité des conditions de la politique de garantie EGO.

¡LEA TODAS LAS INSTRUCCIONES!



LEA EL MANUAL DEL USUARIO

⚠ ADVERTENCIA: Para garantizar la seguridad y fiabilidad de la herramienta, las reparaciones y sustituciones debe realizarlas únicamente un técnico cualificado.

SÍMBOLOS DE SEGURIDAD

El propósito de los símbolos de seguridad es atraer su atención hacia posibles peligros. Los símbolos de seguridad y las explicaciones que los acompañan requieren su máxima atención y comprensión. Por sí solos, los símbolos de advertencia no eliminan los posibles peligros. Las instrucciones y advertencias que proporcionan no sustituyen a las medidas adecuadas de prevención de accidentes.

⚠ ADVERTENCIA: Antes de utilizar esta herramienta, asegúrese de haber leído y entendido perfectamente todas las instrucciones incluidas en este manual del usuario, incluidos todos los símbolos de aviso sobre seguridad, como «PELIGRO», «ADVERTENCIA» y «PRECAUCIÓN». Si no se observan todas las instrucciones que se indican a continuación existe riesgo de incendio, electrocución y lesiones graves.

	Aviso de seguridad	Precauciones relacionadas con su seguridad
	Lea y comprenda el manual del usuario	Para reducir el riesgo de lesiones, el usuario debe leer y comprender el manual del usuario antes de utilizar este producto.
	Condiciones de lluvia	No exponer a la lluvia.
	CE	Este producto está en conformidad con las directivas de la CE aplicables.
	UKCA	Este producto está en conformidad con la legislación aplicable del Reino Unido.

	RAEE	Los productos eléctricos no deben eliminarse con la basura doméstica. Líévelos a un centro de reciclaje autorizado.
IPX4	Grado de protección contra la penetración	Protección contra las salpicaduras de agua
	Corriente continua	Tipo o característica de la corriente
V	Voltio	Tensión
cm	Centímetro	Longitud o tamaño
m/s	Metros por segundo	Velocidad
L/h	Litro por hora	Caudal
°C	Celsius	Temperatura
kg	Kilogramo	Peso

ES

ADVERTENCIAS GENERALES DE SEGURIDAD

⚠ ADVERTENCIA: Para reducir el riesgo de incendio, descarga eléctrica o lesiones:

- **Familiarícese con el ventilador de nebulización. Lea detenidamente este manual de instrucciones. Conozca las aplicaciones del ventilador y sus limitaciones, así como los peligros potenciales específicos relacionados con este ventilador.** La observación de estas pautas reducirá el riesgo de sufrir descargas eléctricas y lesiones graves o provocar incendios.
- Este dispositivo no está previsto para que lo usen personas (incluyendo niños) con capacidades físicas, sensoriales o mentales reducidas, o que carezcan de experiencia y conocimientos, a menos que sean supervisadas o instruidas sobre el uso del dispositivo por una persona responsable de su seguridad.
- Deberá supervisarse a los niños para asegurarse de que no jueguen con el aparato.

SEGURIDAD EN LA ZONA DE TRABAJO

- **No use el ventilador en entornos explosivos, por ejemplo, en presencia de líquidos, gases o polvo inflamables.**
- **Mantenga a los niños y las demás personas alejados cuando esté utilizando un aparato.** Las distracciones podrían hacerle perder el control de la herramienta.

- **Tenga cuidado cuando lo use en condiciones de viento.** Los vientos pueden llevar las neblinas a un cableado o dispositivos eléctricos.
- **No exponga el aparato a la lluvia ni a condiciones de humedad.** Si penetra agua en un aparato, aumentará el riesgo de descarga eléctrica.

SEGURIDAD PERSONAL

- **Manténgase alerta, preste atención a lo que está haciendo y aplique el sentido común durante el uso de un aparato. No utilice el aparato si está cansado, si siente malestar o si se encuentra bajo la influencia de drogas, alcohol o medicamentos.** Cuando se está usando el aparato, cualquier falta de atención, aunque sea por un instante, puede provocar lesiones graves.
- **Evite la puesta en marcha accidental de la herramienta. Asegúrese de que el interruptor se encuentra en la posición de apagado antes de conectar la batería, así como al recoger o transportar el aparato.** Si lleva el aparato con el dedo puesto sobre el interruptor, o si enchufa el aparato con el interruptor encendido, pueden producirse accidentes.
- **Retire cualquier llave de ajuste o llave inglesa del aparato antes de encenderlo.** Una llave inglesa o una llave de ajuste enganchada a una parte giratoria del aparato puede producir lesiones.
- **No se estire demasiado para alcanzar lugares de difícil acceso. Mantenga una posición firme y equilibrada en todo momento.** Esto permite un mejor control del aparato en situaciones inesperadas.
- **Utilice ropa adecuada. No lleve puesta ropa holgada ni joyas. Mantenga el pelo, la ropa y los guantes alejados de las piezas móviles.** La ropa holgada, así como las joyas o el pelo, largo podrían engancharse en las partes móviles de la herramienta.
- **Verifique que todas las conexiones estén seguras antes de usar el aparato.**
- **El hecho de haberse familiarizado con el aparato por el uso frecuente no debe hacer que se descuide e ignore los principios de seguridad.** Una distracción puede provocar lesiones graves en una fracción de segundo.

USO Y CUIDADO

- **No use el aparato si el interruptor no funciona para encenderlo y apagarlo.** Todo aparato que no se puede controlar con el interruptor es peligroso y debe repararse.
- **Desconecte la batería del aparato antes de realizar cualquier ajuste, cambiar accesorios o guardar el aparato.** Estas medidas preventivas de

seguridad reducirán el riesgo de que el aparato pueda encenderse accidentalmente.

- **Cuando no se utilice el aparato, guárdelo fuera del alcance de los niños y no permita que lo use ninguna persona que no esté familiarizada con el aparato o con estas instrucciones.** Los aparatos son peligrosos si los usan personas sin experiencia.
- **Realice el mantenimiento del aparato y los accesorios. Compruebe si hay elementos móviles desalineados o trabados, piezas rotas u otra circunstancia que pueda afectar al funcionamiento del aparato. Si el aparato está dañado, llévelo a reparar antes de usarlo.** Muchos accidentes se deben a un mantenimiento deficiente de los aparatos.
- **Use el aparato y los accesorios, etc., siguiendo las instrucciones y teniendo en cuenta las condiciones de trabajo y la tarea a realizar.** El uso del aparato para fines diferentes a los previstos podría provocar situaciones de peligro.
- **Mantenga las asas y las superficies de agarre secas, limpias y libres de aceite y grasa.** Si las asas y las superficies de agarre están resbaladizas no se puede manejar la herramienta de forma segura ni mantener el control en las situaciones inesperadas.

⚠ ADVERTENCIA: Para reducir el riesgo de incendio o descarga eléctrica, no use este ventilador con ningún dispositivo de control de velocidad de estado sólido.

UTILIZACIÓN Y MANTENIMIENTO DE HERRAMIENTAS A BATERÍA

- **Recargue únicamente con el cargador especificado por el fabricante. Un cargador que es adecuado para un tipo de batería podría ocasionar un incendio si se utiliza con una batería distinta.**
- **Utilice el aparato solo con las baterías diseñadas específicamente para él. El uso de cualquier otro tipo de batería puede provocar riesgo de lesiones e incendio.**
- **Cuando no se esté utilizando la batería, manténgala apartada de objetos metálicos como clips para papeles, monedas, llaves, clavos, tornillos, o cualquier otro objeto metálico pequeño que pudiera provocar un cortocircuito en sus terminales de corriente.** Si se provoca el cortocircuito en los terminales de la batería, podrían producirse quemaduras o incendios.
- **En condiciones de uso intensivo, es posible que se produzca una fuga de líquido de la batería; evite el contacto. Enjuague con agua si se produce un contacto accidental. Si el líquido entra en contacto con los ojos, solicite también atención médica.** El líquido que emana de la batería puede provocar irritaciones o quemaduras.

- **No utilice una batería o un aparato que hayan sido modificados o que estén dañados.** Las baterías dañadas o modificadas pueden tener un comportamiento impredecible y provocar un incendio, explosión o riesgo de lesiones.
- **No exponga la batería ni el aparato al fuego ni a una temperatura excesiva.** La exposición al fuego o a una temperatura superior a 130°C podría provocar una explosión.
- **Siga todas las instrucciones de carga y no cargue la batería ni el aparato fuera del rango de temperatura especificado en las instrucciones.** Una carga incorrecta o a temperaturas fuera del rango especificado puede dañar la batería y aumentar el riesgo de incendio.

SERVICIO TÉCNICO

- **Las reparaciones del aparato debe realizarlas un técnico cualificado, utilizando solo piezas de recambio idénticas.** Esto garantizará que se mantenga la seguridad del aparato.
- **No repare nunca baterías que estén dañadas.** Las baterías solo debe repararlas el fabricante o un centro de servicio técnico autorizado.

INSTRUCCIONES DE SEGURIDAD PARA EL VENTILADOR DE NEBULIZACIÓN INALÁMBRICO


- **No permita que el ventilador se use como un juguete.** Extreme las precauciones cuando los niños usen la herramienta o si se utiliza cerca de ellos.
- **Los niños pueden caer en baldes y ahogarse.** Mantenga a los niños alejados de baldes, incluso si solo contienen una pequeña cantidad de líquido.
- **Utilice SOLAMENTE agua limpia y fría.**
- **No use este ventilador de nebulización para rociar pesticidas, fertilizantes líquidos, productos químicos o cualquier otro líquido que no sea agua limpia.** La dispersión de dichas sustancias podría provocar lesiones graves o enfermedades al usuario o a otras personas.
- **Nunca dirija la niebla o el agua hacia ningún cableado o dispositivo eléctrico.**
- **Asegúrese de que la tapa del compartimento de la batería esté completamente cerrada para evitar que el agua entre en contacto con la batería o penetre en el puerto de la batería.**
- **Mantenga el ventilador y el asa secos, limpios y libres de aceite y grasa. Utilice siempre un paño limpio para limpiar la herramienta. No utilice nunca disolventes fuertes, líquidos de frenos, gasolina ni ningún otro producto derivado del petróleo para limpiar el ventilador.** El cumplimiento de estas

pautas reducirá el riesgo de perder el control de la herramienta y deteriorar su carcasa plástica.

- **Las baterías pueden explotar en presencia de una fuente de ignición, como una llama piloto. Para reducir el riesgo de lesiones graves, no utilice nunca ninguna herramienta inalámbrica en presencia de llamas abiertas. Si una batería explota, podrían salir despedidos violentamente fragmentos y productos químicos.** En caso de exposición a los mismos, enjuague inmediatamente con agua.
 - **Guarde estas instrucciones.** Consúltelas con frecuencia y utilícelas para instruir a otras personas que vayan a usar este aparato. En caso de prestar este aparato a terceros, proporciónelos también estas instrucciones para evitar el uso incorrecto y posibles lesiones.
 - Tenga en cuenta que los altos niveles de humedad pueden fomentar el crecimiento de organismos biológicos en el medio ambiente.
 - No permita que el área alrededor del ventilador de nebulización se humedezca o moje. Si se produce humedad, reduzca la salida del ventilador de nebulización. Si no se puede bajar el volumen de salida del ventilador de nebulización, use el humidificador de manera intermitente. No deje que se humedezca ningún material absorbente, como alfombras, cortinas o manteles.
 - Nunca deje agua en el depósito cuando el aparato no esté en uso.
 - Vacíe y limpie el ventilador de nebulización antes de guardarlo. Limpie el humidificador antes del próximo uso.
- ⚠ ADVERTENCIA:** Los microorganismos que pueden estar presentes en el agua o en el entorno donde se utiliza o almacena el aparato pueden crecer en el depósito de agua y ser arrastrados por el aire, provocando riesgos muy graves para la salud si no se renueva el agua y el depósito no se limpia correctamente cada 3 días.
- Las baterías recargables deben sacarse del aparato antes de cargarlas.
 - Las baterías agotadas deben sacarse del aparato y desecharse de forma segura.
 - Si tiene previsto guardar el aparato y no usarlo durante mucho tiempo, debe sacar las baterías.
 - Los terminales de alimentación no deben cortocircuitarse.

GUARDE ESTAS INSTRUCCIONES

ESPECIFICACIONES

Tensión	56 V 
Diámetro de la hoja del ventilador	45,7 cm
Ajustes de velocidad del ventilador	6 (incluyendo «Turbo»)
Máx. Caudal de aire	7000 m³/h
Máx. Velocidad del aire	10,3 m/s
Volumen de agua nebulizada	I: 4,5 l/h
	II: 11,4 l/h
Temperatura de almacenamiento recomendada	de -20°C a 70°C
Peso (sin batería)	10,4 kg

LISTA DEL CONTENIDO

NOMBRE DE LA PIEZA		CANTIDAD
Ventilador de nebulización		1
Conjunto de ruedas	Rueda	2
	Tapacubos	2
	Tornillo con arandela	2
Conjunto del asa superior	Asa superior	1
	Tornillo con arandela	4
Llave de tuercas		1
Boquilla de repuesto		1
Manual del usuario		1

DESCRIPCIÓN

FAMILIARÍCESE CON EL VENTILADOR DE NEBULIZACIÓN (Fig. A y Fig. A1)

- Asa superior
- Carcasa del ventilador
- Perilla de bloqueo de la carcasa del ventilador
- Rueda (x2)
- Boquilla de nebulización (x4)
- Mango telescópico
- Compartimento de la batería
- Tubo de entrada

- Filtro
- Interfaz de control
- Botón de encendido
- Indicador de velocidad del aire
- Indicador TURBO
- Botón TURBO
- Botón de ajuste de la velocidad del aire
- Botón de selección del modo de nebulización
- Indicador de nebulización

MONTAJE

⚠ ADVERTENCIA: Si alguna pieza falta o está rota, no utilice el producto hasta haber sustituido las piezas. Podrían producirse lesiones graves en caso de utilizar el producto si alguna de sus piezas falta o está dañada.

⚠ ADVERTENCIA: No intente modificar este producto ni fabricar accesorios no recomendados para su uso en este ventilador. Cualquier alteración o modificación se considerará uso indebido y podría provocar una situación peligrosa con riesgo de sufrir lesiones graves.

⚠ ADVERTENCIA: Quite siempre la batería del producto antes de instalar piezas, efectuar ajustes, proceder a su limpieza, o cuando el producto no esté en uso. El hecho de retirar el acumulador permitirá evitar cualquier puesta en marcha accidental de la herramienta que podría dar lugar a lesiones físicas graves.

MONTAJE DE LAS RUEDAS (Fig. B)

- Alinee el orificio de una de las ruedas con el eje de la rueda del ventilador y monte la rueda en el eje.
- Enrosque uno de los tornillos de la rueda a través del orificio de la rueda en el eje de la rueda y, a continuación, apriete el tornillo con la llave incluida.
- Encaje el tapacubos en la rueda.
- Monte la otra rueda siguiendo los pasos 1 - 3 anteriores.

COLOCACIÓN DE DEL ASA SUPERIOR (Fig. C)

- Alinee los cuatro tornillos suministrados con los orificios del asa superior y los orificios de la carcasa del ventilador.
- Inserte los tornillos y después apriételes con la llave incluida.

Fig. B y Fig. C, ver abajo la descripción de las piezas:

B-1	Rueda (2)	B-3	Tornillo con arandela (2)
B-2	Eje de rueda (2)	B-4	Tapacubos (2)

C-1	Asa superior	C-2	Tornillo con arandela (4)
C-3	Orificio del tornillo		

FUNCIONAMIENTO

⚠ ADVERTENCIA: No permita que el hecho de estar familiarizado con el producto le haga descuidarse. Recuerde que cualquier distracción de una fracción de segundo es suficiente para provocar lesiones graves.

⚠ ADVERTENCIA: No utilice piezas o accesorios no recomendados por el fabricante de este producto. La utilización de piezas o accesorios no recomendados puede provocar lesiones graves.

Antes de cada uso, examine todo el producto para ver si hay piezas dañadas, extraviadas o sueltas, como tornillos, tuercas, pernos, tapones, etc. Apriete bien todas las sujeciones y los tapones y no ponga en marcha el producto hasta haber reemplazado todas las piezas que falten o que estén dañadas.

⚠ ADVERTENCIA: Quite siempre la batería del producto antes de instalar piezas, efectuar ajustes, proceder a su limpieza, o cuando el no lo utilice. El hecho de retirar el acumulador permitirá evitar cualquier puesta en marcha accidental de la herramienta que podría dar lugar a lesiones físicas graves.

APLICACIONES

Este producto puede utilizarse para los fines indicados a continuación:

- Ventilación general en la mayoría de las aplicaciones domésticas
- Refrigeración exterior mientras está conectado a una fuente de agua

AJUSTE DEL ÁNGULO DEL VENTILADOR (Fig. D)

1. Agarre el asa superior para sujetar la carcasa del ventilador.
2. Gire la perilla de bloqueo de la carcasa del ventilador EN SENTIDO ANTIHORARIO para aflojar la carcasa ajustable del ventilador.
3. Inclíne la carcasa ajustable del ventilador hacia delante o hacia atrás hasta el ángulo deseado. El ventilador se puede girar hasta 90° hacia delante y hasta 135° hacia atrás.
4. Gire la perilla de bloqueo en SENTIDO HORARIO para fijar la carcasa del ventilador en el ángulo deseado.

INSERTAR/SACAR LA BATERÍA (Fig. E)

Utilice únicamente los modelos de baterías y cargadores de EGO indicados en la fig. A2.

Cargue totalmente la batería antes de usarla por primera vez.

Instalación

1. Tire de la tapa del compartimento de la batería para abrirla.
2. Alinee las nervaduras del acumulador con las ranuras de montaje, e introduzca el acumulador presionándolo hacia abajo hasta oír un “clic”.

Retirada

1. Pulse el botón de liberación de la batería y saque la batería hacia arriba.
2. Empuje la tapa del compartimento de la batería para cerrarla. Asegúrese de que esté completamente cerrada para evitar que el agua entre en contacto con la batería o penetre en el puerto de la batería.

Fig. E, ver abajo la descripción de las piezas

E-1	Botón de liberación de la batería
E-2	Tapa del compartimento de la batería

PONER EN MARCHA/PARAR EL VENTILADOR DE NEBULIZACIÓN

AVISO: La configuración inicial de fábrica para la velocidad del aire es el nivel 3. El ventilador guardará la última configuración de velocidad del aire utilizada y la retomará cuando se reinicie.

IMPORTANTE: La configuración Turbo no se guardará.

AVISO: La configuración de nebulización no se guardará y, de forma predeterminada, estará apagada cada vez que se encienda el ventilador.

BOTÓN DE ENCENDIDO

- Pulse brevemente el botón de encendido para encender el ventilador.
- Vuelva a pulsar brevemente el botón de encendido para apagar el ventilador.

AJUSTE DE LA VELOCIDAD DEL AIRE

Velocidad normal del aire

- Pulse el botón «+» para aumentar la velocidad del aire y pulse el botón «-» para disminuir la velocidad del aire. Hay 5 niveles de velocidad.
- El indicador de velocidad del aire muestra luces verdes correspondientes a los niveles de velocidad actuales.

Modo TURBO

- Pulse el botón «TURBO»; el indicador TURBO se iluminará en verde y el ventilador cambiará al modo «TURBO», es decir, la velocidad de aire más alta.
- Cuando esté en el modo «TURBO», pulse de nuevo el botón «TURBO»; el indicador TURBO se apagará y el ventilador reanudará la velocidad del aire previamente activa.
- Cuando esté en el modo «TURBO», pulse el botón «-»; el indicador TURBO se apagará y el ventilador cambiará al nivel de velocidad del aire 5.

FUNCIÓN DE NEBULIZACIÓN

USO DEL VENTILADOR CON UN BALDE DE AGUA (NO INCLUIDO) (Fig. F)

⚠ ADVERTENCIA: Los niños pueden caer en baldes y ahogarse. Mantenga a los niños alejados de baldes que contengan incluso una pequeña cantidad de líquido.

AVISO: Limpie el balde con agua y jabón antes de cada uso.

1. Desconecte la batería.
2. Coloque el balde sobre una superficie plana y nivelada.
3. Ponga SOLAMENTE agua limpia y fría en el balde. No lo llene demasiado.
4. Sumerja el extremo del filtro del tubo de entrada en el balde de agua.

AVISO: No doble el tubo de entrada y asegúrese siempre de que el agua fluya suavemente a través del tubo.

5. Instale la batería y cierre la tapa del compartimento de la batería.
6. Pulse el botón de encendido para encender el ventilador.
7. Pulse el botón de selección del modo de nebulización para iniciar la nebulización:
 - Pulse el botón de selección del modo de nebulización una vez y en el indicador de

nebulización se encenderán dos luces verdes que indican el modo de nebulización «continua»: nebulización todo el tiempo sin parar.

AVISO: Pueden pasar alrededor de 15 segundos antes de que empiece a ver salir la niebla de las boquillas de nebulización. Este retraso se debe al tiempo que tarda el agua en fluir desde el balde de agua hasta las boquillas.

- Pulse de nuevo el botón de selección del modo de nebulización y en el indicador de nebulización se encenderá una luz verde que indica el modo de nebulización «intermitente»: nebulización durante 5 s cada 10 s.
- Cuando la nebulización está en modo intermitente, pulse de nuevo el botón de selección del modo de nebulización; las luces del indicador de nebulización se apagarán y la nebulización se detendrá.

AVISO: Cuando termine la operación de nebulización, saque el tubo de entrada del agua y haga funcionar el ventilador en modo de nebulización hasta que salga toda el agua del tubo. Esto ayuda a evitar que el agua residual en el tubo provoque una nebulización inesperada cuando se vuelva a encender el ventilador.

USO DEL VENTILADOR SIN NEBULIZACIÓN

Si lo desea, este producto puede usarse solo como ventilador cuando no esté conectado a una fuente de agua. Cuando no esté en uso, coloque siempre el tubo de entrada en su área de almacenamiento (consulte el apartado «**ALMACENAMIENTO**» de este manual) para protegerlo de los daños y la contaminación.

PROTECCIÓN INTERNA

Cuando la función de nebulización está activada pero no sale agua nebulizada:

- La bomba de agua seguirá funcionando durante un rato y luego se detendrá automáticamente para proteger los componentes electrónicos internos.
- Según el modo de nebulización, el indicador de nebulización mostrará una o dos luces verdes fijas durante un breve período y, a continuación, las luces verdes parpadearán de forma continua como alerta para que el usuario:
 - a. Compruebe si el tubo de entrada está correctamente sumergido en el agua.
 - b. Compruebe si la(s) boquilla(s) de nebulización está(n) obstruida(s) y la(s) limpie de acuerdo con el capítulo «**MANTENIMIENTO DE LAS BOQUILLAS**».

- c. Pulse el botón de selección del modo de nebulización para reiniciar la nebulización.

MANTENIMIENTO

⚠ ADVERTENCIA: Cuando repare la herramienta, utilice solo piezas idénticas a las originales. La utilización de otras piezas podría suponer un peligro o causar daños en el producto. Para garantizar la seguridad y fiabilidad de la herramienta, las reparaciones debe realizarlas únicamente un técnico cualificado.

⚠ ADVERTENCIA: Para evitar lesiones graves, quite siempre la batería de la herramienta antes de limpiarla o hacer tareas de mantenimiento.

MANTENIMIENTO GENERAL

Evite utilizar disolventes para limpiar las piezas de plástico. La mayoría de los plásticos podrían dañarse si se limpian con algunos de los tipos de disolventes disponibles en el mercado. Utilice paños limpios para eliminar la suciedad y los residuos de polvo, aceite, grasa, etc.

⚠ ADVERTENCIA: No deje nunca que las piezas de plástico entren en contacto con líquido de frenos, gasolina, productos derivados del petróleo, aceites penetrantes, etc. Las sustancias químicas podrían dañar, debilitar o destruir el plástico, con el consiguiente riesgo de provocar lesiones graves.

MANTENIMIENTO DE LAS BOQUILLAS (Fig. G)

⚠ ADVERTENCIA: Asegúrese de que todo el mantenimiento de las boquillas de nebulización se realice correctamente para evitar fugas de agua. Las fugas pueden provocar una superficie resbaladiza, generando un riesgo de resbalones y caídas o causando daños materiales.

Para limpiar las boquillas

1. Apague el ventilador y quite la batería.
2. Retire las boquillas de nebulización de latón obstruidas girándolas en SENTIDO ANTIHORARIO.
3. Desmonte las piezas de cada boquilla afectada.
4. **Para eliminar cualquier partícula extraña** que obstruya o restrinja las boquillas, enjuague las piezas de la boquilla con agua. **Para eliminar la acumulación de cal (minerales)**, limpie las piezas de la boquilla con vinagre blanco u otro agente desincrustante en caso necesario.

5. Vuelva a montar las boquillas.

AVISO: Para evitar obstrucciones, asegúrese de que la boquilla esté montada exactamente como se muestra en la Fig. G.

6. Vuelva a colocar las boquillas limpias.

MANTENIMIENTO DEL FILTRO (Fig. H)

Examine periódicamente el filtro al final del tubo de entrada para asegurarse de que esté en buenas condiciones.

1. Saque el filtro del tubo de entrada.
2. Desenrosque las piezas del filtro y saque la malla de esponja.
3. Enjuague la malla de esponja o reemplácela si es necesario.
4. Vuelva a montar el filtro y vuelva a conectarlo al tubo de entrada.

Fig. H, ver abajo la descripción de las piezas

H-1	Filtro	H-3	Malla de esponja
H-2	Pieza superior	H-4	Pieza inferior

MANTENIMIENTO DE LA CARCASA DEL VENTILADOR (Fig. I1 y Fig. I2)

⚠ ADVERTENCIA: Asegúrese de quitar las baterías del producto antes de retirar la protección.

1. Afloje y quite los seis tornillos para levantar PARCIALMENTE la rejilla protectora delantera y quitarla de la carcasa del ventilador.

PRECAUCIÓN: Para evitar daños, no retire completamente la rejilla protectora delantera sin desconectar PRIMERO el tubo de entrada.

2. Presione la goma negra al final de la tuerca para sacar el tubo de entrada.
3. Retire completamente la rejilla protectora delantera.
4. Gire la cubierta de bloqueo de las aspas del ventilador en horario para liberar las aspas del eje.
5. Retire la hoja del ventilador.
6. Limpie las aspas del ventilador y el interior de la carcasa en caso necesario.
7. Vuelva a montarlos en orden inverso y asegúrese de que:
 - el tubo de entrada está correctamente conectado a la tuerca.

- el tubo de entrada esté colocado correctamente en la ranura de la rejilla protectora.

Fig. I1 e I2, ver abajo la descripción de las piezas

I1-1	Rejilla protectora delantera	I1-4	Goma negra
I1-2	Tornillo (6)	I1-5	Tubo de entrada
I1-3	Tuerca	I2-1	Cubierta de bloqueo
I2-2	Aspas del ventilador		

ES

TRANSPORTE

- El ventilador está equipado con un asa superior para transportarlo en desplazamientos de corta distancia o cruzar superficies/terrenos irregulares.
- Para el transporte de larga distancia, utilice el asa telescópica para hacer rodar el ventilador. Use la empuñadura superior para inclinar el ventilador y, a continuación, tire del asa telescópica hasta que escuche un «clac». Cuando no se utilice el asa telescópica, introdúzcala en la herramienta (Fig. J).

ALMACENAMIENTO

1. Quite la batería recargable.
2. Limpie el ventilador a fondo.
3. Vacíe el tubo de entrada y el filtro.
4. Coloque el tubo de entrada en cualquiera de las posiciones de almacenamiento ubicadas en la parte trasera del ventilador (Fig. K1 y Fig. K2).
5. Guarde el ventilador en un lugar seco, bien ventilado y fuera del alcance de los niños. No lo guarde encima ni cerca de fertilizantes, gasolina u otros productos químicos.

PROTECCIÓN DEL MEDIO AMBIENTE



¡No elimine aparatos eléctricos, baterías usadas ni cargadores de baterías junto con los desperdicios domésticos! Lleve este producto a un punto de reciclaje autorizado y deposítelo por separado según corresponda. Las herramientas eléctricas se deben llevar a un punto de reciclaje con fin de proteger el medio ambiente.

SOLUCIÓN DE PROBLEMAS

PROBLEMA	CAUSA	SOLUCIÓN
La herramienta no funciona.	<ul style="list-style-type: none"> ■ Baja capacidad de la batería. ■ La batería o el ventilador están demasiado calientes. 	<ul style="list-style-type: none"> ■ Cargue la batería. ■ Apague el ventilador y espere a que el ventilador y la batería se enfríen.
No se produce nebulización de agua y el indicador de nebulización parpadea con dos luces verdes.	<ul style="list-style-type: none"> ■ El tubo de entrada no succiona agua, activando la protección interna de la bomba de agua dentro de la herramienta. ■ La(s) boquilla(s) de nebulización se ha(n) obstruido durante el funcionamiento, activando la protección interna de la bomba de agua. 	<ul style="list-style-type: none"> ■ Verifique y asegúrese de que haya suficiente agua en el balde y de que el tubo de entrada esté correctamente sumergido en el agua. ■ Limpie la(s) boquilla(s) de acuerdo con el capítulo «MANTENIMIENTO DE LAS BOQUILLAS», y vuelva a montarlas según las instrucciones.
Se produce una fuga de agua después del mantenimiento de la carcasa del ventilador.	<ul style="list-style-type: none"> ■ La tuerca que conecta con el tubo de entrada se ha soltado inesperadamente. 	<ul style="list-style-type: none"> ■ Abra la carcasa del ventilador de acuerdo con el capítulo «MANTENIMIENTO DE LA CARCASA DEL VENTILADOR». Inspeccione la tuerca y asegúrese de que esté completamente apretada.

ES

GARANTÍA

POLÍTICA DE GARANTÍA DE EGO

Visite la página web egopowerplus.com para conocer los términos y condiciones completos de la política de garantía de EGO.

LEIA TODAS AS INSTRUÇÕES!



LEIA O MANUAL DE INSTRUÇÕES

PT

AVISO: Para assegurar a segurança e bom funcionamento, todas as reparações e substituições de peças deverão ser efetuadas por um técnico de reparação qualificado.

SÍMBOLOS DE SEGURANÇA

O objetivo dos símbolos de segurança é chamar a atenção para possíveis perigos. Os símbolos de segurança e as explicações apresentadas com eles requerem a sua atenção e compreensão. Os avisos de segurança, só por eles, não eliminam o perigo. As instruções e avisos dados não são substitutos para medidas de prevenção adequadas a acidentes.

AVISO: Certifique-se de que lê e compreende todos os avisos de segurança neste manual do utilizador, incluindo todos os símbolos de alerta de segurança, como “PERIGO”, “AVISO” e “CUIDADO” antes de usar esta ferramenta. Não seguir todas as instruções apresentadas abaixo pode resultar em choque elétrico, incêndio e/ou ferimentos graves.

	Alerta de segurança	Precauções que envolvam a sua segurança
	Leia e compreenda o manual de instruções.	Para reduzir o risco de ferimentos, o utilizador tem de ler e compreender o manual do utilizador antes de utilizar este produto.
	À chuva	Não exponha a unidade à chuva.
	CE	Este produto encontra-se em conformidade com as diretivas CE aplicáveis.
	UKCA	Este produto encontra-se em conformidade com a legislação no Reino Unido.

	REEE	Os produtos elétricos residuais não deverão ser eliminados juntamente com o lixo doméstico comum. Entregue-os num centro de reciclagem autorizado.
IPX4	Grau de proteção de entrada	Proteção contra salpicos
	Corrente direta	Tipo ou característica da corrente
V	Volts	Voltagem
cm	Centímetro	Comprimento ou tamanho
m/s	Metros por segundo	Velocidade
L/h	Litros por hora	Medida do fluxo
°C	Celsius	Temperatura
kg	Quilograma	Peso

AVISOS GERAIS DE SEGURANÇA

AVISO: Para reduzir o risco de fogo, choque elétrico, ou ferimentos:

- **Conheça a sua ventoinha de névoa. Leia com atenção o manual de instruções. Aprenda as aplicações e limitações da ventoinha, bem como os perigos potenciais específicos relacionados com esta ventoinha.** Seguir esta regra reduzirá o risco de choque elétrico, fogo ou ferimentos graves.
- Este aparelho não foi criado para ser utilizado por pessoas (incluindo crianças) com capacidades físicas, sensoriais ou mentais reduzidas, ou falta de experiência ou conhecimentos, exceto se forem supervisionadas ou se lhes forem dadas instruções em relação à unidade, por uma pessoa responsável pela sua segurança.
- As crianças devem ser supervisionadas, para se certificar de que não brincam com o aparelho.

SEGURANÇA NA ÁREA DE TRABALHO

- **Não utilize a ventoinha em atmosferas explosivas, tal como na presença de líquidos inflamáveis, gases ou pó.**

- **Mantenha as crianças e pessoas que passem afastadas enquanto utilizar o aparelho.** As distrações podem fazer com que perca o controlo.
- **Tenha cuidado quando utilizar em condições com muito vento.** O vento pode levar a névoa para cablagem elétrica ou dispositivos.
- **Não exponha o aparelho à chuva ou humidade.** A entrada de água num aparelho aumentará o risco de choque elétrico.

SEGURANÇA PESSOAL

- **Mantenha-se alerta, observe o que está a fazer e use senso comum quando estiver a utilizar o aparelho. Não utilize o aparelho quando estiver cansado, chateado ou sob o efeito de drogas, álcool ou medicação.** Um momento de falta de atenção enquanto utiliza o aparelho pode dar origem a ferimentos sérios.
- **Evite ligações sem intenção. Certifique-se de que o interruptor se encontra na posição de desligado antes de ligar à bateria, segurar ou transportar o aparelho.** Transportar o aparelho com o seu dedo no interruptor ou fornecer energia ao aparelho que tenha o interruptor na posição de ligado convida a acidentes.
- **Retire qualquer chave de ajuste ou chave de fendas antes de ligar o aparelho.** Uma chave de fendas ou uma chave deixada ligada a uma peça rotativa do aparelho pode dar origem a ferimentos.
- **Não se estique. Mantenha sempre a base e o equilíbrio adequados.** Isso proporciona um melhor controlo sobre o aparelho em situações inesperadas.
- **Vista-se adequadamente. Não use roupa larga nem joalharia. Mantenha o seu cabelo e roupa afastados das peças móveis.** Roupa larga, joias ou cabelo comprido podem ser apanhados pelas peças em movimento.
- **Certifique-se de que todas as ligações estão bem feitas antes de utilizar o aparelho.**
- **Não permita que a familiarização ganhe com a utilização do aparelho o torne mais complacente e ignore os princípios de segurança do aparelho.** Uma ação descuidada pode causar graves ferimentos numa fração de segundo.

UTILIZAÇÃO E CUIDADOS

- **Não utilize o aparelho se o interruptor não der para ligar e desligar.** Qualquer aparelho que não possa ser controlado com o interruptor é perigoso e deve ser reparado.
- **Desligue a bateria do aparelho antes de fazer quaisquer ajustes, mudar de acessórios, ou guardar o aparelho.** Tais medidas preventivas

de segurança reduzem o risco de ligar o aparelho acidentalmente.

- **Guarde o aparelho desligado fora do alcance de crianças e não permita que pessoas estranhas ao aparelho ou a estas instruções utilizem o aparelho.** Os aparelhos são perigosos nas mãos de utilizadores sem formação.
- **Proceda à manutenção do aparelho e respetivos acessórios. Verifique se existem desalinhamentos ou colagem das peças móveis, quebra de peças e qualquer outra condição que possa afetar o funcionamento do aparelho. Se estiver danificado, repare o aparelho antes de utilizar.** Muitos acidentes são causados por aparelhos mantidos de forma deficiente.
- **Utilize o aparelho e acessórios, etc., de acordo com estas instruções, tendo em conta as condições de trabalho e o trabalho a ser realizado.** A utilização do aparelho para operações diferentes das pretendidas pode resultar numa situação perigosa.
- **Mantenha as pegas e superfícies de preensão secas, limpas e sem óleo ou gordura.** Pegas e superfícies de segurar escorregadias não permitem o manuseamento seguro nem o controlo da ferramenta em situações inesperadas.

⚠ AVISO: Para reduzir o risco de fogo ou de choque elétrico, não utilize esta ventoinha com nenhum dispositivo de controlo de velocidade de estado sólido.

UTILIZAÇÃO E CUIDADOS DA FERRAMENTA COM A BATERIA

- **Recarregue apenas com o carregador especificado pelo fabricante. Um carregador que seja adequado a um tipo de bateria pode criar um risco de incêndio quando usado com outra bateria.**
- **Utilize aparelhos apenas com as baterias especificamente designadas. A utilização de outras baterias pode criar um risco de ferimentos e incêndio.**
- **Quando não usar a bateria, mantenha-a afastada de outros objetos de metal, como cliques de papel, moedas, chaves, pregos, parafusos ou outros pequenos objetos de metal que possam fazer a ligação entre os dois terminais.** Colocar os terminais da bateria em curto-circuito pode dar origem a queimaduras ou fogo.
- **Sob condições abusivas, pode ser ejetado líquido da bateria; evite o contacto. Se ocorrer um contacto accidental, lave com água abundante. Se o líquido entrar em contacto com os olhos, procure ajuda médica.** O líquido ejetado da bateria pode provocar irritação ou queimaduras.

- **Não use a bateria nem o aparelho se estiverem danificados ou modificados.** Baterias danificadas ou modificadas podem apresentar comportamentos imprevisíveis, dando origem a fogo, explosão ou risco de ferimentos.
- **Não exponha a bateria ou o aparelho ao fogo ou temperatura excessiva.** A exposição ao fogo ou a temperaturas acima dos 130°C pode causar uma explosão.
- **Siga todas as instruções de carregamento e não carregue a bateria nem o aparelho a uma temperatura fora dos parâmetros especificados nas instruções.** Carregar incorretamente ou a temperaturas fora dos parâmetros especificados pode danificar a bateria e aumentar o risco de fogo.

REPARAÇÃO

- **A reparação do seu aparelho deverá ser sempre efetuada por pessoas qualificadas, utilizando apenas peças sobresselentes idênticas.** Tal irá assegurar que a segurança do aparelho é mantida.
- **Nunca tente reparar uma bateria danificada.** A reparação das baterias só deverá ser efetuada pelo fabricante ou por um reparador autorizado.

INSTRUÇÕES DE SEGURANÇA PARA A VENTONINHA DE NÉVOA SEM FIOS

- **Não permita que a ventoinha seja usada como um brinquedo.** É necessária muita atenção quando usar com crianças por perto.
- **As crianças podem cair para dentro de baldes e afogar-se.** Mantenha as crianças afastadas de baldes, mesmo que contenham apenas uma pequena quantidade de líquido.
- **Use APENAS água limpa e fresca.**
- **Não use esta ventoinha de névoa para pulverizar pesticidas, fertilizantes, químicos ou quaisquer outros líquidos para além de água limpa.** Pulverizar estas substâncias pode dar origem a ferimentos sérios ou doenças no operador ou terceiros.
- **Nunca oriente a névoa ou água para qualquer cablagem elétrica ou aparelhos.**
- **Certifique-se de que a tampa do compartimento da bateria está completamente fechada, para evitar que a água entre em contacto com a bateria, ou entre no compartimento.**
- **Mantenha o aparelho e a pega secos, limpos e sem óleo e lubrificante. Use sempre um pano limpo quando limpar. Nunca use produtos à base de fluidos para travões, gasolina, petróleo, ou quaisquer solventes fortes para limpar a ventoinha.** Ao seguir esta regra reduzirá o risco de perda de controlo e deterioração do plástico do compartimento.

- **As baterias podem explodir na presença de uma fonte de ignição, como uma luz piloto. Para reduzir o risco de ferimentos sérios, nunca use um produto sem fios na presença de uma chama sem proteção. Uma bateria que expluda pode libertar resíduos e químicos.** Se for exposto a estes, passe imediatamente por água abundante.
- **Guarde estas instruções.** Consulte com frequência e use estas instruções para instruir outras pessoas sobre a forma de utilizar esta ventoinha. Se emprestar esta ventoinha, entregue também as instruções, para evitar uma má utilização do produto e possíveis ferimentos.
- **Tenha cuidado:** Níveis altos de humidade podem ajudar no aparecimento de organismos biológicos no ambiente.
- Não permita que a área em redor da ventoinha de névoa fique húmida ou molhada. Se aparecer humidade, diminua a saída de névoa da ventoinha. Se o volume de saída da ventoinha de névoa não puder ser diminuído, use a ventoinha intermitentemente. Não permita que materiais absorventes, como carpetes, cortinas, cortinados ou toalhas de mesa fiquem molhados.
- Não deixe água no depósito quando o aparelho não for usado.
- Esvazie e limpe a ventoinha de névoa antes de a guardar. Limpe a ventoinha antes da utilização seguinte.

⚠ AVISO: Podem existir microrganismos na água ou no ambiente onde o aparelho é usado ou guardado. Estes podem crescer no depósito da água e ser soprados para o ar, causando riscos muito sérios para a saúde quando a água não é renovada e o depósito não for limpo corretamente a cada 3 dias.

- As pilhas recarregáveis têm de ser retiradas do aparelho antes de serem recarregadas.
- As pilhas gastas devem ser retiradas do aparelho e eliminadas de modo seguro.
- Se o aparelho for guardado e não for usado durante um longo período de tempo, retire as pilhas.
- Não coloque os terminais em curto-circuito.

GUARDE ESTAS INSTRUÇÕES

CARACTERÍSTICAS TÉCNICAS

Voltagem	56 V
Diâmetro da lâmina da ventoinha	45,7 cm
Configuração da velocidade da ventoinha	6 (incluindo "Turbo")
Máx. Volume do ar	7000 m ³ /h
Máx. Velocidade do ar	10,3 m/s
Volume de água da névoa	I: 4,5 L/h
	II: 11,4 L/h
Temperatura de armazenamento recomendada	-20°C ~ 70°C
Peso (sem a bateria)	10,4 kg

LISTA DE PEÇAS

NOME DA PEÇA		QUANTIDADE
Ventoinha de névoa		1
Conjuntos das rodas	Roda	2
	Tampa do cubo	2
	Parafuso com anilha	2
Conjunto da pega superior	Pega superior	1
	Parafuso com anilha	4
Chave		1
Bocal sobresselente		1
Manual do utilizador		1

DESCRIÇÃO

CONHEÇA A SUA VENTONHA DE NÉVOA (Imagem A e Imagem A1)

1. Pega superior
2. Estrutura da ventoinha
3. Manipulo de fixação da estrutura da ventoinha
4. Roda (x2)
5. Bocal da névoa (x4)
6. Pega telescópica
7. Compartimento da bateria
8. Tubo de entrada
9. Filtro

10. Interface de controlo
11. Botão da alimentação
12. Indicador da velocidade do ar
13. Indicador de TURBO
14. Botão do TURBO
15. Botão de ajuste da velocidade do ar
16. Botão de seleção do modo de névoa
17. Indicador de névoa

MONTAGEM

⚠ AVISO: Se quaisquer peças estiverem danificadas ou em falta, não utilize este produto até as peças serem substituídas. Utilizar este produto com peças danificadas ou em falta pode dar origem a ferimentos sérios.

⚠ AVISO: Não tente modificar este produto nem criar acessórios que não sejam recomendados para utilizar com esta ventoinha. Qualquer alteração ou modificação é considerada uma má utilização e pode dar origem a perigos, que podem levar a ferimentos sérios.

⚠ AVISO: Retire sempre a bateria do produto quando estiver a montar peças, fazer ajustes, limpar ou quando não utilizar o produto. Retirar a bateria evita um arranque accidental que poderia causar ferimentos sérios.

MONTAGEM DAS RODAS (Imagem B)

1. Alinhe o orifício de uma das rodas com o eixo da roda da ventoinha e monte a roda no eixo.
2. Enrosque um dos parafusos da roda através do orifício da roda até ao eixo da roda, depois, aperte o parafuso com a chave fornecida.
3. Encaixe a tampa do cubo na roda.
4. Monte a outra roda seguindo os passos apresentados acima 1-3.

FIXAR A PEGA SUPERIOR (Imagem C)

1. Alinhe os quatro parafusos fornecidos nos orifícios na pega superior e os orifícios na estrutura da ventoinha.
2. Insira os parafusos e aperte-os com a chave fornecida.

Imagem B e C: Descrição das peças apresentada abaixo:

B-1	Roda (2)	B-3	Parafuso com anilha (2)
B-2	Eixo da roda (2)	B-4	Tampa do cubo (2)
C-1	Pega superior	C-2	Parafuso sem anilha (4)
C-3	Buraco do Parafuso		

FUNCIONAMENTO

⚠️ AVISO: Não permita que a familiarização com este produto o torne descuidado. Lembre-se de que uma fração de segundo de desatenção é o suficiente para sofrer um ferimento sério.

⚠️ AVISO: Não utilize quaisquer acessórios para além dos recomendados pelo fabricante deste produto. A utilização de acessórios que não sejam recomendados pode dar origem a ferimentos sérios.

Antes de cada utilização, inspecione todo o produto quanto a peças danificadas, em falta ou soltas, como parafusos, porcas, tampas, etc. Aperte bem todos os fixadores e tampas e não utilize este produto até que todas as peças em falta ou danificadas sejam substituídas.

⚠️ AVISO: Retire sempre a bateria do produto quando estiver a montar peças, fazer ajustes, limpar ou quando não utilizar o produto. Retirar a bateria evita um arranque accidental que poderia causar ferimentos sérios.

APLICAÇÕES

Pode utilizar este produto com os intuitos listados abaixo:

- Ventilação geral em grande parte da aplicações domésticas;
- Arrefecimento no exterior ligado a uma fonte de água.

AJUSTAR O ÂNGULO DA VENTONINHA (Imagem D)

1. Segure pela pega superior para segurar a estrutura da ventoinha.
2. Rode o manípulo de fixação da estrutura da ventoinha NO SENTIDO INVERSO AO DOS PONTEIROS DO RELÓGIO para desapertar a estrutura ajustável da ventoinha.
3. Incline a estrutura ajustável da ventoinha para a frente ou para trás para o ângulo desejado. A ventoinha pode rodar até 90° para a frente e até 135° para trás.
4. Rode o manípulo de fixação NO SENTIDO DOS PONTEIROS DO RELÓGIO para fixar a estrutura da ventoinha no ângulo desejado.

FIXAR/RETIRAR A BATERIA (Imagem E)

Utilize apenas com as baterias e carregadores da EGO listados na Imagem A2.

Carregue por completo antes da primeira utilização.

Para fixar

1. Puxe a tampa do compartimento da bateria para abrir.
2. Alinhe as abas da bateria com as ranhuras de fixação e empurre a bateria para baixo até ouvir um “clique”.

Para libertar

1. Prima o botão de libertação da bateria e puxe a bateria para fora.
2. Pressione a tampa do compartimento da bateria para fechar. Certifique-se de que a tampa do compartimento da bateria está completamente fechada, para evitar que a água entre em contacto com a bateria, ou entre no compartimento.

Imagem E: Descrição das peças apresentada abaixo:

E-1	Botão de libertação da bateria
E-2	Tampa do compartimento da bateria

LIGAR/DESLIGAR A VENTONINHA DE NÉVOA

AVISO: As predefinições de fábrica quanto à velocidade do ar são o nível 3. A ventoinha guarda a última velocidade usada e volta a ela ao ser reiniciada.

IMPORTANTE: A definição do turbo não será guardada.

AVISO: A definição da névoa não é guardada e desliga-se sempre que a ventoinha for ligada.

BOTÃO DA ALIMENTAÇÃO

- Prima o botão da alimentação para ligar a ventoinha.
- Prima de novo o botão da alimentação para desligar a ventoinha.

AJUSTE DA VELOCIDADE DO AR

Velocidade normal do ar

- Prima o botão “+” para aumentar a velocidade do ar, ou o botão “-” para diminuir a velocidade do ar. Existem 5 níveis de velocidade.
- O indicador da velocidade do ar apresenta uma luz verde, correspondente aos níveis de velocidade atuais.

Modo TURBO

- Prima o botão do “TURBO”. O indicador luminoso do TURBO acende a verde e a ventoinha passa para o modo “TURBO”, ou seja, a velocidade mais alta.

- Quando estiver no modo “TURBO”, prima de novo o botão do “TURBO”. O indicador luminoso do TURBO desliga-se e a ventoinha continua com a velocidade do ar anterior.
- Quando estiver no modo “TURBO”, prima o botão “-”. O indicador luminoso do TURBO desliga-se e a ventoinha passa para a velocidade do ar de nível 5.

FUNÇÃO D E NÉVOA

USAR A VENTONHA COM UM BALDE DE ÁGUA (NÃO INCLUÍDO) (Imagem F)

AVISO: As crianças podem cair para dentro de baldes e afogar-se. Mantenha as crianças afastadas de baldes, mesmo que contenham apenas uma pequena quantidade de líquido.

AVISO: Lave o balde com água e sabão antes de cada utilização.

1. Retire a bateria.
2. Coloque o balde numa superfície plana e nivelada.
3. Adicione APENAS água limpa e fresca no balde. Não encha demasiado.
4. Coloque a extremidade do filtro do tubo de entrada dentro do balde de água.

AVISO: Não dobre o tubo de entrada. Certifique-se sempre de que a água flui suavemente pelo tubo.

5. Instale a bateria e feche a tampa do compartimento da bateria.
 6. Prima o botão da alimentação para ligar a ventoinha.
 7. Prima o botão de seleção do modo de névoa para iniciar a névoa:
 - Prima o botão de seleção do modo de névoa uma vez e o indicador de névoa acende duas luzes verdes, o que significa que está no modo de névoa “contínua”, libertando névoa sem parar.
- AVISO:** Leva cerca de 15 segundos antes de ver a névoa a sair dos bocais de névoa pela primeira vez. Este atraso deve-se ao tempo que leva até a água fluir do balde de água até aos bocais.
- Prima novamente o botão de seleção do modo de névoa e o indicador de névoa acende uma luz verde, o que significa que está no modo de névoa “intermitente”, libertando névoa durante 5 segundos a cada 10 segundos.
 - Quando a névoa estiver no modo intermitente, prima de novo o botão de seleção do modo de névoa e os indicadores luminosos de névoa desligam-se e a névoa pára.

AVISO: Quando terminar a operação com névoa, retire o tubo de entrada da água e deixe a ventoinha funcionar no modo de névoa até que toda a água saia do tubo. Isto ajuda a evitar que fique água residual dentro do tubo, podendo causar uma névoa inesperada quando ligar a ventoinha de novo.

USAR A VENTONHA SEM NÉVOA

Se quiser, este produto pode ser usado apenas como ventoinha quando não estiver ligado a uma fonte de água. Quando não o usar, coloque sempre o tubo de entrada na área de armazenamento (consulte a secção “ARMAZENAMENTO” neste manual) para o proteger de danos e contaminação.

PROTEÇÃO INTERNA

Quando a função de névoa for ativada, mas não sair névoa:

- A bomba de água continua a funcionar durante um curto espaço de tempo e depois pára automaticamente para proteger o sistema eletrónico interno.
- Dependendo do modo de névoa, o indicador de névoa apresenta uma ou duas luzes verdes durante um curto espaço de tempo, depois, as luzes verdes piscam continuamente para alertar o operador para:
 - a. Verificar se o tubo de entrada está devidamente dentro de água.
 - b. Verifique se o bocal de névoa está obstruído, e proceda à limpeza de acordo com o capítulo “MANUTENÇÃO DO BOCAL”.
 - c. Prima o botão de seleção do modo de névoa para reiniciar a névoa.

MANUTENÇÃO

AVISO: Quando fizer reparações, utilize apenas peças de substituição idênticas. A utilização de outras peças pode dar origem a perigos ou danos no produto. Para assegurar a segurança e bom funcionamento, todas as reparações deverão ser efetuadas por um técnico de reparação qualificado.

AVISO: Para evitar ferimentos sérios, retire sempre a bateria do produto quando limpar ou efetuar qualquer manutenção.

MANUTENÇÃO GERAL

Evite usar solventes quando limpar peças de plástico. Grande parte dos plásticos é suscetível a danos devido a vários tipos de solventes comerciais. Use panos limpos para retirar a sujidade, pó, óleo, gordura, etc.

⚠ AVISO: Nunca permita que o líquido dos travões, gasolina, produtos à base de petróleo, óleos penetrantes, etc., entrem em contacto com as peças de plástico. Os químicos podem danificar, enfraquecer ou destruir o plástico o que pode dar origem a ferimentos sérios.

PT

MANUTENÇÃO DO BOCAL (Imagem G)

⚠ AVISO: Certifique-se de que toda a manutenção do bocal de névoa é feita corretamente, para evitar fugas de água. As fugas podem dar origem a uma superfície escorregadia, causando um perigo de queda ou possíveis danos patrimoniais.

Para limpar os bocais

1. Desligue a ventoinha e retire a bateria.
2. Retire os bocais de névoa obstruídos rodando NO SENTIDO INVERSO AO DOS PONTEIROS DO RELÓGIO.
3. Desmonte cada bocal afetado.
4. **Para remover partículas estranhas** que estejam a bloquear ou a restringir os bocais, passe os bocais por água. **Para eliminar o calcário (mineral)**, limpe os bocais com vinagre branco ou outro agente de descalcificação, conforme necessário.
5. Volte a montar os bocais.

AVISO: Para evitar a obstrução, certifique-se de que o bocal é montado exatamente conforme apresentado na Imagem G.

6. Volte a fixar os bocais limpos.

MANUTENÇÃO DO FILTRO (Imagem H)

Examine periodicamente o filtro na extremidade do tubo de entrada para se certificar de que está em bom estado.

1. Retire o filtro do tubo de entrada.
2. Desenrosque o filtro e retire a rede de esponja.
3. Passe a rede de esponja por água ou substitua-a, se necessário.
4. Volte a montar o filtro e volte a ligá-lo no tubo de entrada.

Imagem H: Descrição das peças apresentada abaixo:

H-1	Filtro	H-3	Rede de esponja
H-2	Parte superior	H-4	Parte inferior

MANUTENÇÃO DA ESTRUTURA DA VENTONINHA (Imagem I1 e I2)

⚠ AVISO: Certifique-se de que retira a bateria do produto antes de retirar a proteção.

1. Desaperte e retire os seis parafusos para levantar PARCIALMENTE a proteção da grelha dianteira da estrutura da ventoinha.

⚠ CUIDADO: Para evitar danos, não retire por completo a proteção da grelha dianteira sem desligar PRIMEIRO o tubo de entrada.

2. Pressione a borracha preta na extremidade da porca para retirar o tubo de entrada.
3. Retire por completo a proteção da grelha dianteira.
4. Rode a cobertura de fixação da lâmina da ventoinha no sentido dos ponteiros do relógio para libertar a lâmina da ventoinha do eixo.
5. Retire a lâmina da ventoinha.
6. Limpe a lâmina da ventoinha e o interior da estrutura conforme necessário.
7. Volte a montar pela ordem inversa e certifique-se de que:
 - O tubo de entrada está devidamente ligado à porca.
 - O tubo de entrada é colocado corretamente na ranhura na proteção da grelha.

Imagem I1 e I2: Descrição das peças apresentada abaixo:

I1-1	Proteção da grelha dianteira	I1-4	Borracha preta
I1-2	Parafuso (6)	I1-5	Tubo de entrada
I1-3	Porca	I2-1	Cobertura de fixação
I2-2	Lâmina da ventoinha		

TRANSPORTE

- A ventoinha vem equipada com uma pega superior para transportar a ventoinha em distâncias curtas, ou para atravessar uma superfície áspera.
- Para um transporte de longas distâncias, use a pega telescópica para empurrar a ventoinha. Use a pega superior para inclinar a ventoinha e depois puxe a pega telescópica para fora até ouvir um “clique”. Quando a pega telescópica não for usada, volte a colocá-la dentro do aparelho (Imagem J).

ARMAZENAMENTO

1. Retire a bateria.
2. Limpe bem a ventoinha.
3. Esvazie o tubo de entrada e o filtro.
4. Coloque o tubo de entrada na posição de armazenamento na parte traseira da ventoinha (Imagem K1 e K2).
5. Guarde a ventoinha num local seco e bem ventilado, fora do alcance das crianças. Não guarde a ventoinha em cima ou perto de fertilizantes, gasolina ou outros químicos.

PT

PROTEJA O AMBIENTE



Não elimine equipamento elétrico, bateria gasta nem carregador juntamente com o lixo doméstico comum! Leve este produto a um centro de reciclagem autorizado para que possa haver uma separação das peças. As ferramentas elétricas têm de ser devolvidas em instalações de reciclagem ambientalmente compatíveis.



RESOLUÇÃO DE PROBLEMAS

PT

PROBLEMA	CAUSA	SOLUÇÃO
O aparelho não funciona.	<ul style="list-style-type: none">▪ Bateria fraca.▪ A bateria ou a ventoinha estão muito quentes.	<ul style="list-style-type: none">▪ Carregue a bateria.▪ Desligue a ventoinha e deixe a bateria e a ventoinha arrefecerem.
Não há névoa de água e o indicador de névoa pisca duas luzes a verde.	<ul style="list-style-type: none">▪ O tubo de entrada não aspira água, ativando a proteção interna da bomba de água dentro do aparelho.▪ Os bocais de névoa estão bloqueados, ativando a proteção interna da bomba de água.	<ul style="list-style-type: none">▪ Certifique-se de que há água suficiente no balde e que o tubo de entrada é colocado corretamente dentro de água.▪ Limpe os bocais de acordo com o capítulo “MANUTENÇÃO DO BOCAL” e volte a montar conforme indicado.
Há uma fuga de água após a manutenção da estrutura da ventoinha.	<ul style="list-style-type: none">▪ A porca ligada ao tubo de entrada soltou-se inesperadamente.	<ul style="list-style-type: none">▪ Abra a estrutura da ventoinha de acordo com o capítulo “MANUTENÇÃO DA ESTRUTURA DA VENTOIHA”. Inspecione e certifique-se de que a porca fica bem apertada.

GARANTIA

POLÍTICA DE GARANTIA EGO

Visite o website egopowerplus.com para os termos e condições completos da política de garantia da EGO.

LEGGERE TUTTE LE ISTRUZIONI!



LEGGERE IL MANUALE DI ISTRUZIONI

AVVERTENZA! Per garantire sicurezza e affidabilità, tutte le riparazioni e sostituzioni devono essere eseguite da un tecnico qualificato.

SIMBOLI DI SICUREZZA

Lo scopo dei simboli di sicurezza è attirare l'attenzione dell'operatore su possibili pericoli. I simboli di sicurezza e le relative spiegazioni richiedono la massima attenzione e comprensione da parte dell'operatore. Le avvertenze espresse dai simboli, da sole, non eliminano tutti i rischi. Le istruzioni e le avvertenze non sostituiscono le adeguate misure di prevenzione contro gli incidenti.

AVVERTENZA! Accertarsi di aver letto e compreso tutte le istruzioni di sicurezza in questo manuale, inclusi tutti i simboli di avvertenza come "PERICOLO", "AVVERTENZA" e "ATTENZIONE", prima di usare questo apparecchio. Il mancato rispetto di tutte le istruzioni elencate di seguito comporta il rischio di scossa elettrica, incendio e/o lesioni gravi.

	Avvertenza di sicurezza	Precauzioni relative alla sicurezza dell'operatore.
	Leggere e comprendere il manuale di istruzioni	Per ridurre il rischio di infortuni, l'utente deve leggere e comprendere tutte le istruzioni prima di usare questo prodotto.
	Condizioni di pioggia	Non esporre alla pioggia.
	CE	Questo prodotto è conforme alle direttive europee applicabili.
	UKCA	Questo prodotto è conforme alle direttive britanniche applicabili.

	RAEE	I prodotti elettrici non devono essere smaltiti insieme ai rifiuti domestici. Portarli presso un centro di riciclaggio autorizzato.
IPX4	Grado di protezione	Protezione da schizzi d'acqua
	Corrente continua	Tipo o caratteristica della corrente
V	Volt	Tensione
cm	Centimetro	Lunghezza o dimensioni
m/s	Metri al secondo	Velocità
L/h	Litri all'ora	Portata
°C	Grado Celsius	Temperatura
kg	Chilogrammo	Peso

IT

AVVERTENZE DI SICUREZZA GENERICHE

AVVERTENZA! Per ridurre il rischio di incendio, scossa elettrica o infortunio:

- **Familiarizzarsi con l'apparecchio. Leggere attentamente le istruzioni. Studiare le applicazioni e le limitazioni dell'apparecchio e i relativi rischi specifici.** Il rispetto di questa istruzione riduce il rischio di scossa elettrica, incendio o infortunio.
- Questo apparecchio non deve essere usato da persone (bambini inclusi) con ridotte capacità fisiche, mentali o sensoriali o senza esperienza e conoscenza, a meno che non siano sorvegliate o siano state istruite sull'uso dell'apparecchio da una persona responsabile della loro sicurezza.
- Supervisionare i bambini per assicurarsi che non giochino con l'apparecchio.

SICUREZZA DELL'AREA DI LAVORO

- **Non usare il ventilatore in atmosfere esplosive, ad esempio in presenza di liquidi, gas o polveri infiammabili.**
- **Durante l'uso dell'apparecchio, tenere a distanza i bambini e le persone presenti.** Le distrazioni possono far perdere il controllo.

- **Prestare attenzione durante l'uso in condizioni ventose.** Il vento può trasportare l'acqua nebulizzata verso cavi e dispositivi elettrici.
- **Non esporre l'apparecchio a pioggia o umidità.** La penetrazione di acqua all'interno dell'apparecchio aumenta il rischio di scossa elettrica.

SICUREZZA PERSONALE

- **Durante l'uso dell'apparecchio, prestare sempre la massima attenzione e utilizzare il buon senso. Non usare l'apparecchio se si è stanchi, turbati o sotto l'effetto di droghe, alcol o medicinali.** Anche un solo momento di disattenzione durante l'uso dell'apparecchio comporta il rischio di lesioni gravi.
- **Prevenire l'avvio accidentale. Assicurarsi che l'interruttore sia in posizione di spegnimento prima di sollevare, trasportare o collegare l'apparecchio alla presa di corrente e/o alla batteria.** Per ridurre il rischio di incidenti, non trasportare l'apparecchio tenendo le dita sull'interruttore e non collegarlo alla presa di corrente se l'interruttore è in posizione di accensione.
- **Rimuovere eventuali chiavi di regolazione o avvimento prima di avviare l'apparecchio.** Una chiave di serraggio rimasta inserita in un elemento mobile dell'apparecchio può provocare infortuni.
- **Non allungarsi eccessivamente. Mantenere sempre un buon equilibrio evitando posizioni instabili.** Ciò assicura un miglior controllo dell'apparecchio in situazioni impreviste.
- **Vestirsi in modo adeguato. Non indossare indumenti ampi o gioielli. Tenere capelli e indumenti lontani dalle parti in movimento.** Indumenti ampi, gioielli o capelli lunghi possono rimanere impigliati nelle parti in movimento.
- **Verificare che tutti i collegamenti siano stati effetti correttamente prima di usare l'apparecchio.**
- **Non lasciare che la familiarità con l'apparecchio (derivata da un uso frequente) abbassi il livello di attenzione.** Anche una minima distrazione può causare gravi infortuni.

USO E MANUTENZIONE

- **Non usare l'apparecchio se l'interruttore non funziona.** Un apparecchio che non può essere controllato dall'interruttore è pericoloso e deve essere riparato.
- **Scollegare il gruppo batteria dall'apparecchio prima di riparlo, apportare qualsiasi modifica o sostituire gli accessori** per evitare il rischio di accensione accidentale.

- **Riporre l'apparecchio fuori dalla portata dei bambini e non permetterne l'uso a persone che non hanno familiarità con l'apparecchio o con queste istruzioni.** Gli apparecchi elettrici sono pericolosi se utilizzati da persone non competenti.
- **Sottoporre l'apparecchio e gli accessori a una regolare manutenzione. Verificare che le parti mobili non siano disallineate o piegate e che non siano presenti danni o altre condizioni suscettibili di compromettere il funzionamento dell'apparecchio. Se l'apparecchio è danneggiato, farlo riparare prima di utilizzarlo nuovamente.** Molti incidenti sono provocati da apparecchi in cattive condizioni.
- **Usare l'apparecchio, gli accessori, ecc. conformemente a queste istruzioni, tenendo conto delle condizioni dell'area di lavoro e del tipo di lavoro da svolgere.** L'uso dell'apparecchio per operazioni diverse da quelle per cui è progettato può comportare situazioni di pericolo.
- **Mantenere le impugnature e le superfici di presa asciutte, pulite e prive di olio o grasso.** Impugnature e superfici di presa scivolose non garantiscono l'uso sicuro e il controllo dell'apparecchio in situazioni impreviste.

AVVERTENZA! Per ridurre il rischio di incendio o scossa elettrica, non usare l'apparecchio con dispositivi di controllo della velocità a stato solido.

USO E MANUTENZIONE DEGLI UTENSILI A BATTERIA

- **Ricaricare la batteria esclusivamente con il caricabatteria specificato dal costruttore. Un caricabatteria adatto a un certo tipo di gruppo batteria comporta il rischio di incendio se utilizzato con gruppi batteria di tipo diverso.**
- **Usare esclusivamente gruppi batteria progettati specificamente per questo apparecchio. L'uso di altri gruppi batteria comporta il rischio di incendio e infortunio.**
- **Quando il gruppo batteria non è in uso, tenerlo lontano da piccoli oggetti metallici, ad esempio graffette, monete, chiavi, chiodi, viti ecc. poiché potrebbero creare un collegamento tra i due terminali.** Il cortocircuito dei terminali della batteria comporta il rischio di incendio o ustioni.
- **L'utilizzo improprio può causare fuoriuscite di liquido dalla batteria: evitare il contatto con tale liquido. In caso di contatto accidentale, lavare con acqua. Se il liquido entra a contatto con gli occhi, consultare un medico.** Il liquido fuoriuscito dalla batteria può causare irritazioni o ustioni.

- **Non usare gruppi batteria o apparecchi danneggiati o modificati.** Le batterie danneggiate o modificate possono manifestare comportamenti imprevedibili, con il rischio di incendio, esplosione o infortunio.
- **Non esporre il gruppo batteria o l'apparecchio a fiamme o temperature eccessive.** L'esposizione a fiamme o temperature superiori a 130°C comporta il rischio di esplosione.
- **Rispettare tutte le istruzioni relative alla ricarica e non ricaricare il gruppo batteria o l'apparecchio a temperature diverse da quelle specificate nelle istruzioni.** Una ricarica eseguita in modo improprio o a temperature diverse da quelle specificate può danneggiare la batteria e aumentare il rischio di incendio.

RIPARAZIONI

- **Affidare la riparazione dell'apparecchio a personale qualificato e utilizzare esclusivamente parti di ricambio identiche.** Ciò garantisce la sicurezza dell'apparecchio.
- **Non riparare gruppi batteria danneggiati.** La riparazione dei gruppi batteria deve essere effettuata esclusivamente dal costruttore o da un centro di assistenza autorizzato.

AVVERTENZE DI SICUREZZA SPECIFICHE PER VENTILATORI NEBULIZZATORI CORDLESS

- **L'apparecchio non deve essere usato come giocattolo.** Prestare particolare attenzione quando l'apparecchio viene usato da o in presenza di bambini.
- **I bambini possono cadere all'interno dei contenitori dell'acqua e annegare.** Tenere i bambini a distanza dai contenitori dell'acqua, anche se poco pieni.
- **Usare ESCLUSIVAMENTE acqua fredda e pulita.**
- **Non usare l'apparecchio per nebulizzare pesticidi, fertilizzanti liquidi, sostanze chimiche o liquidi diversi da acqua pulita.** La diffusione di tali sostanze comporta il rischio di lesioni gravi o malattie all'operatore o alle persone presenti.
- **Non dirigere l'acqua o la nebulizzazione verso cavi o dispositivi elettrici.**
- **Assicurarsi che il coperchio del vano batteria sia completamente chiuso per evitare che l'acqua entri a contatto con la batteria o si infiltri nella presa.**
- **Tenere l'apparecchio e l'impugnatura puliti e privi di olio e grasso.** Usare sempre un panno pulito durante la pulizia. **Non usare mai liquido per freni, benzina, prodotti a base di petrolio o solventi aggressivi per pulire l'apparecchio.** Il rispetto di questa istruzione evita il deterioramento delle superfici in plastica e riduce il rischio di perdita di controllo.
- **Le batterie possono esplodere in presenza di una**

fonte di accensione, ad esempio una fiamma pilota. Per ridurre il rischio di lesioni gravi, non usare mai apparecchi alimentati a batteria in presenza di fiamme libere. L'esplosione di una batteria comporta il lancio di detriti e sostanze chimiche. In caso di esposizione, risciacquare immediatamente l'area interessata con acqua.

- **Conservare queste istruzioni.** Consultarle frequentemente e usarle per istruire gli altri operatori dell'apparecchio. In caso di cessione dell'apparecchio a terzi, allegare anche queste istruzioni per evitare l'uso scorretto e il rischio di lesioni.
- Tenere presente che elevati livelli di umidità possono favorire la crescita di organismi biologici nell'ambiente.
- Evitare che l'area intorno all'apparecchio diventi umida o bagnata. Se l'area si bagna, ridurre il volume della nebulizzazione. Se il volume della nebulizzazione non può essere ridotto, usare l'apparecchio a intermittenza. Evitare che materiali assorbenti come tappeti, tende, drappi o tovaglie si bagnino.
- Non lasciare l'acqua nel serbatoio quando l'apparecchio non è in uso.
- Svuotare e pulire l'apparecchio prima di riporlo. Pulire l'apparecchio prima di ogni utilizzo.

⚠ AVVERTENZA! Eventuali microrganismi presenti nell'acqua o nell'ambiente di utilizzo o conservazione dell'apparecchio possono riprodursi nel serbatoio dell'acqua e venire dispersi nell'aria, causando gravi rischi per la salute. Sostituire l'acqua e pulire il serbatoio ogni 3 giorni.

- Rimuovere le batterie ricaricabili dall'apparecchio prima di ricaricarle.
- Rimuovere le batterie scariche dall'apparecchio e smaltirle in modo sicuro.
- In previsione di un lungo periodo di inutilizzo dell'apparecchio, rimuovere le batterie.
- Non cortocircuitare i terminali delle batterie.

CONSERVARE QUESTE ISTRUZIONI.

SPECIFICHE TECNICHE

Tensione	56 V 
Diametro della ventola	45,7 cm
Livelli di velocità	6 (incluso il livello "Turbo")
Volume dell'aria max.	7000 m³/h
Velocità dell'aria max.	10,3 m/s
Volume dell'acqua nebulizzata	I: 4,5 L/h
	II: 11,4 L/h
Temperatura di conservazione raccomandata	Da -20°C a 70°C
Peso (senza gruppo batteria)	10,4 kg

IT

CONTENUTO DELLA CONFEZIONE

NOME COMPONENTE		QUANTITÀ
Ventilatore nebulizzatore		1
Gruppo ruota	Ruota	2
	Coprismozzo	2
	Vite con rondella	2
Gruppo impugnatura superiore	Impugnatura superiore	1
	Vite con rondella	4
Chiave		1
Ugello di ricambio		1
Manuale di istruzioni		1

DESCRIZIONE

COMPONENTI DEL VENTILATORE NEBULIZZATORE

(Fig. A e Fig. A1)

1. Impugnatura superiore
2. Unità ventilatore
3. Manopola di bloccaggio dell'unità ventilatore
4. Ruota (x2)
5. Ugello di nebulizzazione (x4)
6. Impugnatura telescopica
7. Vano batteria
8. Tubo di ingresso dell'acqua
9. Filtro

10. Pannello di controllo
11. Pulsante di accensione
12. Indicatori della velocità dell'aria
13. Indicatore TURBO
14. Pulsante TURBO
15. Pulsante di regolazione della velocità dell'aria
16. Pulsante della nebulizzazione
17. Indicatori della nebulizzazione

ASSEMBLAGGIO

⚠ AVVERTENZA! In caso di componenti danneggiati o mancanti, non usare l'apparecchio finché i componenti non vengono sostituiti. L'uso dell'apparecchio con componenti danneggiati o mancanti comporta il rischio di lesioni gravi.

⚠ AVVERTENZA! Non tentare di modificare l'apparecchio o usare accessori non raccomandati per l'uso con questo apparecchio. Tali alterazioni o modifiche costituiscono un uso improprio e comportano condizioni pericolose e il rischio di lesioni gravi.

⚠ AVVERTENZA! Rimuovere il gruppo batteria dall'apparecchio quando non è in uso e prima delle operazioni di assemblaggio, regolazione e pulizia. La rimozione del gruppo batteria impedisce l'avvio accidentale e il conseguente rischio di lesioni gravi.

FISSAGGIO DELLE RUOTE (Fig. B)

1. Allineare il foro su una delle ruote con l'asse della ruota sul ventilatore, quindi fissare la ruota sull'asse.
2. Infilare una delle viti delle ruote attraverso il foro sulla ruota, avvitare sull'asse della ruota e serrarla con la chiave fornita.
3. Fissare il coprismozzo sulla ruota.
4. Fissare l'altra ruota ripetendo i passaggi 1-3.

FISSAGGIO DELL'IMPUGNATURA SUPERIORE (Fig. C)

1. Allineare le quattro viti fornite con i fori sull'impugnatura superiore e i fori sull'unità ventilatore.
2. Inserire le viti e serrarle con la chiave fornita.

Descrizione delle parti in Fig. B e in Fig. C

B-1	Ruota (2)	B-3	Vite con rondella (2)
B-2	Asse della ruota (2)	B-4	Coprismozzo (2)
C-1	Impugnatura superiore	C-2	Vite con rondella (4)
C-3	Foro per vite		

UTILIZZO

⚠ AVVERTENZA! La familiarità con questo apparecchio non deve rendere l'operatore disattento. Anche un solo momento di disattenzione comporta il rischio di lesioni gravi.

⚠ AVVERTENZA! Non usare accessori non raccomandati dal costruttore dell'apparecchio. L'uso di accessori non raccomandati comporta il rischio di lesioni gravi.

Prima di ogni utilizzo, ispezionare l'intero apparecchio per verificare che nessun elemento sia mancante e non siano presenti componenti danneggiati o allentati, ad esempio viti, bulloni, cappucci, ecc. Serrare saldamente tutti i dispositivi di fissaggio e non usare l'apparecchio finché tutti i componenti mancanti o danneggiati non vengono sostituiti.

⚠ AVVERTENZA! Rimuovere sempre il gruppo batteria dall'apparecchio durante l'assemblaggio dei componenti, prima delle operazioni di manutenzione e pulizia e quando non è in uso. La rimozione del gruppo batteria impedisce l'avvio accidentale e il conseguente rischio di lesioni gravi.

APPLICAZIONI

Questo prodotto può essere usato per gli scopi elencati di seguito.

- Ventilazione generale nella maggior parte degli ambienti domestici
- Raffrescamento all'aperto quando collegato a una fonte idrica

REGOLAZIONE DELL'ANGOLAZIONE (Fig. D)

1. Afferrare l'impugnatura superiore per mantenere l'unità ventilatore in posizione.
2. Ruotare la manopola di bloccaggio dell'unità ventilatore in senso ANTIORARIO per allentare l'unità ventilatore.
3. Inclinare l'unità ventilatore in avanti o all'indietro fino all'angolazione desiderata. Il ventilatore può essere inclinato fino a 90° in avanti e fino a 135° all'indietro.
4. Ruotare la manopola di bloccaggio in senso ORARIO per fissare l'unità ventilatore all'angolazione desiderata.

INSTALLAZIONE E RIMOZIONE DEL GRUPPO BATTERIA (Fig. E)

Usare l'apparecchio esclusivamente con i gruppi batteria e caricabatteria EGO elencati in Fig. A2.

Ricaricare completamente la batteria prima del primo utilizzo.

Installazione

1. Tirare il coperchio del vano batteria per aprirlo.
2. Allineare i rilievi sul gruppo batteria con le scanalature di assemblaggio e premere il gruppo batteria fino a udire un "clic".

Rimozione

1. Premere il pulsante di rilascio della batteria ed estrarre il gruppo batteria.
2. Premere il coperchio del vano batteria per chiuderlo. Assicurarsi che sia completamente chiuso per evitare che l'acqua entri a contatto con la batteria o si infiltri nella presa.

Descrizione delle parti in Fig. E

E-1	Pulsante di rilascio della batteria
E-2	Coperchio del vano batteria

ACCENSIONE/SPEGNIMENTO DEL VENTILATORE

NOTA: Alla prima accensione, il ventilatore si avvierà con il livello di velocità dell'aria 3. Il ventilatore memorizzerà l'ultimo livello di velocità dell'aria selezionato e lo ripristinerà alla successiva riaccensione.

IMPORTANTE! Il livello Turbo non verrà memorizzato.

NOTA: la funzione di nebulizzazione non verrà memorizzata e non verrà ripristinata alla successiva riaccensione del ventilatore.

PULSANTE DI ACCENSIONE

- Premere brevemente il pulsante di accensione per accendere il ventilatore.
- Premerlo nuovamente per spegnere il ventilatore.

REGOLAZIONE DELLA VELOCITÀ DELL'ARIA

Velocità normale

- Premere il pulsante + per aumentare la velocità dell'aria o il pulsante - per ridurla. Sono disponibili 5 livelli di velocità.
- Gli indicatori della velocità dell'aria si illuminano di verde in base al livello di velocità corrente.

Velocità TURBO

- Premere il pulsante TURBO; l'indicatore TURBO si illuminerà di verde e il ventilatore funzionerà al massimo livello di velocità.
- Quando la velocità TURBO è attiva, premere nuovamente il pulsante TURBO; l'indicatore TURBO si spegnerà e verrà ripristinata la velocità precedente.
- Quando la velocità TURBO è attiva, premendo il pulsante – l'indicatore TURBO si spegnerà e verrà attivato il livello di velocità 5.

NEBULIZZAZIONE

UTILIZZO DEL VENTILATORE CON UN CONTENITORE DELL'ACQUA (NON INCLUSO) (Fig. F)

⚠ AVVERTENZA! I bambini possono cadere all'interno dei contenitori dell'acqua e annegare. Tenere i bambini a distanza dai contenitori dell'acqua, anche se poco pieni.

NOTA: lavare il contenitore dell'acqua con del detergente prima di ogni utilizzo.

1. Rimuovere il gruppo batteria.
2. Posizionare il contenitore su una superficie piana e a livello.
3. Versare nel contenitore ESCLUSIVAMENTE acqua fredda e pulita. Non riempirlo eccessivamente.
4. Immergere l'estremità del tubo di ingresso dell'acqua con il filtro nel contenitore dell'acqua.

NOTA: non piegare il tubo di ingresso dell'acqua ed assicurarsi che l'acqua scorra liberamente all'interno del tubo.

5. Installare il gruppo batteria e chiudere il coperchio del vano batteria.
6. Premere il pulsante di accensione per accendere il ventilatore.
7. Premere una volta il pulsante della nebulizzazione per attivare la nebulizzazione.
 - Premendo una volta il pulsante della nebulizzazione, entrambi gli indicatori della nebulizzazione si illumineranno di verde; la modalità continua è attiva, ovvero la nebulizzazione è ininterrotta.

NOTA: Alla prima attivazione della nebulizzazione, potrebbe essere necessario attendere 15 secondi prima che l'acqua venga spruzzata dagli ugelli. Ciò è dovuto al tempo impiegato dall'acqua a scorrere dal contenitore agli ugelli.

- Premendo nuovamente il pulsante della nebulizzazione, un solo indicatore della nebulizzazione si illuminerà di verde; la modalità intermittente è attiva, ovvero la nebulizzazione verrà attivata per 5 secondi ogni 10 secondi.
- In modalità intermittente, premere nuovamente il pulsante della nebulizzazione per arrestare la nebulizzazione; gli indicatori della nebulizzazione si spegneranno.

NOTA: dopo aver disattivato la nebulizzazione, estrarre il tubo di ingresso dell'acqua dal contenitore dell'acqua e lasciare in funzione in ventilatore con la nebulizzazione attiva finché il tubo di ingresso dell'acqua non si svuota completamente. Ciò evita che l'acqua residua nel tubo fuoriesca dagli ugelli di nebulizzazione alla successiva accensione del ventilatore.

UTILIZZO DEL VENTILATORE SENZA NEBULIZZAZIONE

L'apparecchio può essere utilizzato come solo ventilatore quando non è collegato a una fonte idrica. Quando l'apparecchio non è in uso, riporre il tubo di ingresso dell'acqua sul retro del ventilatore (consultare la sezione "CONSERVAZIONE" di questo manuale) per evitare il rischio di danni e contaminazione.

DISPOSITIVO DI PROTEZIONE

Quando la nebulizzazione è attiva ma l'acqua non fuoriesce dagli ugelli:

- La pompa dell'acqua continuerà a funzionare per qualche secondo, quindi si arresterà automaticamente per proteggere i componenti elettronici interni.
- A seconda della modalità di nebulizzazione, uno o entrambi gli indicatori della nebulizzazione si illumineranno per un breve periodo, quindi lampeggeranno di verde. Procedere come descritto di seguito.
 - a. Verificare che il tubo di ingresso dell'acqua sia immerso correttamente nell'acqua.
 - b. Verificare che gli ugelli di nebulizzazione non siano ostruiti; in caso contrario pulirli come indicato alla sezione "MANUTENZIONE DEGLI UGELLI".
 - c. Premere il pulsante della nebulizzazione per riattivare la nebulizzazione.

MANUTENZIONE

⚠ AVVERTENZA! Per la riparazione dell'apparecchio, usare esclusivamente parti di ricambio identiche. L'uso di altri ricambi comporta situazioni pericolose o il rischio di danni all'apparecchio. Per garantire sicurezza e affidabilità, tutte le riparazioni e le sostituzioni devono essere eseguite da un tecnico qualificato.

⚠ AVVERTENZA! Per evitare lesioni gravi, rimuovere sempre il gruppo batteria dall'apparecchio prima delle operazioni di pulizia o manutenzione.

MANUTENZIONE GENERALE

Evitare l'uso di solventi durante la pulizia delle parti in plastica. La maggior parte dei materiali plastici può essere danneggiata da molti tipi di solventi in commercio. Usare un panno pulito per rimuovere sporcizia, polvere, olio, grasso, ecc.

⚠ AVVERTENZA! Impedire il contatto di liquido per freni, benzina, prodotti a base di petrolio, oli penetranti, ecc. con le parti in plastica. Le sostanze chimiche possono danneggiare, indebolire o distruggere la plastica, con il rischio di lesioni gravi.

MANUTENZIONE DEGLI UGELLI (Fig. G)

⚠ AVVERTENZA! Sottoporre gli ugelli di nebulizzazione a regolare manutenzione per evitare perdite d'acqua. Eventuali fuoriuscite di acqua possono rendere scivolosa la superficie circostante, con il rischio di caduta o danni.

Pulizia degli ugelli

1. Spegner l'apparecchio e rimuovere il gruppo batteria.
2. Rimuovere gli ugelli ostruiti ruotandoli in senso ANTIORARIO.
3. Disassemblare gli ugelli come illustrato.
4. **Per rimuovere i detriti** che ostruiscono completamente o parzialmente gli ugelli, risciacquare gli ugelli disassemblati con acqua. **Per rimuovere i depositi di calcare**, lavare gli ugelli disassemblati con aceto di vino bianco o un agente anticalcare.
5. Riasssemblare gli ugelli.

NOTA: per prevenire l'ostruzione degli ugelli, assicurarsi di riassembliarli come illustrato in Fig. G.

6. Reinstallare gli ugelli puliti.

MANUTENZIONE DEL FILTRO (Fig. H)

Ispezionare periodicamente il filtro all'estremità del tubo di ingresso dell'acqua per assicurarsi che sia in buone condizioni.

1. Rimuovere il filtro dal tubo di ingresso dell'acqua.
2. Disassemblare il filtro come illustrato e rimuovere il filtro in spugna.
3. Risciacquare il filtro in spugna o sostituirlo se necessario.
4. Riasssemblare il filtro e reinstallarlo sul tubo di ingresso dell'acqua.

Descrizione delle parti in Fig. H

H-1	Filtro	H-3	Filtro in spugna
H-2	Parte superiore	H-4	Parte inferiore

MANUTENZIONE DELL'UNITÀ VENTILATORE

(Fig. I1 e Fig. I2)

⚠ AVVERTENZA! Assicurarsi di rimuovere il gruppo batteria dall'apparecchio prima di rimuovere la griglia.

1. Allentare e rimuovere le sei viti per separare **PARZIALMENTE** la griglia anteriore dall'unità ventilatore.
- ⚠ ATTENZIONE!** Per evitare il rischio di danni, scollegare il tubo di ingresso dell'acqua **PRIMA** di rimuovere completamente la griglia anteriore.
2. Premere l'attacco in gomma all'estremità del dado per scollegare il tubo di ingresso dell'acqua.
3. Rimuovere completamente la griglia anteriore.
4. Ruotare il dado di bloccaggio della ventola in senso orario per separare la ventola dall'alberino.
5. Rimuovere la ventola.
6. Pulire la ventola e l'interno dell'unità ventilatore, se necessario.
7. Riasssemblare il ventilatore in ordine inverso e assicurarsi che:
 - Il tubo di ingresso dell'acqua sia collegato correttamente al dado.
 - Il tubo di ingresso dell'acqua sia inserito correttamente nella scanalatura sulla griglia.

Descrizione delle parti in Fig. I1 e I2

I1-1	Griglia anteriore	I1-4	Attacco in gomma
I1-2	Vite (6)	I1-5	Tubo di ingresso dell'acqua
I1-3	Dado	I2-1	Dado di bloccaggio
I2-2	Ventola		

IT

TRASPORTO

- L'impugnatura superiore del ventilatore permette di trasportarlo su brevi distanze ed evitare superfici/terreni irregolari.
- Per il trasporto su lunghe distanze, usare l'impugnatura telescopica per trainarlo sulle ruote. Usare l'impugnatura superiore per inclinare il ventilatore, quindi estrarre l'impugnatura telescopica fino al "clic". Quando l'impugnatura telescopica non è in uso, reinserirla nell'apparecchio (Fig. J).

CONSERVAZIONE

1. Rimuovere il gruppo batteria.
2. Pulire accuratamente il ventilatore.
3. Svuotare il tubo di ingresso dell'acqua e il filtro.
4. Riporre il tubo di ingresso dell'acqua sul retro del ventilatore in una delle posizioni indicate in Fig. K1 e Fig. K2.
5. Riporre il ventilatore in un luogo asciutto, ben ventilato e fuori dalla portata dei bambini. Non conservare il ventilatore sopra o in prossimità di fertilizzanti, benzina o altre sostanze chimiche.

PROTEZIONE DELL'AMBIENTE



Non smaltire apparecchi elettrici, caricabatteria e batterie insieme ai rifiuti domestici. Portare il prodotto presso un centro di riciclaggio autorizzato affinché venga raccolto separatamente. Gli apparecchi elettrici devono essere portati presso un centro di riciclaggio ecocompatibile.

RISOLUZIONE DEI PROBLEMI

PROBLEMA	CAUSA	SOLUZIONE
L'apparecchio non funziona.	<ul style="list-style-type: none"> ■ Il gruppo batteria è scarico. ■ Il gruppo batteria o il ventilatore sono troppo caldi. 	<ul style="list-style-type: none"> ■ Ricaricare il gruppo batteria. ■ Spegnerne il ventilatore e attendere che l'apparecchio e il gruppo batteria si raffreddino.
La nebulizzazione non si avvia e i due indicatori della nebulizzazione lampeggiano di verde.	<ul style="list-style-type: none"> ■ Il tubo di ingresso dell'acqua non aspira l'acqua, attivando il dispositivo di protezione della pompa dell'acqua all'interno dell'apparecchio. ■ Gli ugelli di nebulizzazione si sono ostruiti durante l'uso, attivando il dispositivo di protezione della pompa dell'acqua. 	<ul style="list-style-type: none"> ■ Assicurarsi che il contenitore dell'acqua sia sufficientemente pieno e che il tubo di ingresso dell'acqua sia immerso correttamente nell'acqua. ■ Pulire gli ugelli come indicato alla sezione "MANUTENZIONE DEGLI UGELLI" e reinstallarli.
Perdite d'acqua dopo aver sottoposto l'unità ventilatore a manutenzione.	<ul style="list-style-type: none"> ■ Il dado di collegamento del tubo di ingresso dell'acqua si è allentato. 	<ul style="list-style-type: none"> ■ Aprire l'unità ventilatore come indicato alla sezione "MANUTENZIONE DELL'UNITÀ VENTILATORE". Verificare che il dado sia serrato correttamente.

IT

GARANZIA

CONDIZIONI DELLA GARANZIA EGO

Visitare il sito web egopowerplus.com per consultare le condizioni complete della garanzia EGO.

LEES ALLE INSTRUCTIES!



LEES DE GEBRUIKSAANWIJZING

⚠ WAARSCHUWING: Om een continue veiligheid en betrouwbaarheid te waarborgen, dienen alle reparaties en vervangingen van onderdelen uitgevoerd te worden door een gekwalificeerde servicemonteur.

NL

VEILIGHEIDSSYMBOLEN

Het doel van de veiligheidssymbolen is om u te wijzen op mogelijke gevaren. Besteed daarom voldoende aandacht hieraan en begrijp de veiligheidssymbolen en bijbehorende uitleg. De symboolwaarschuwingen op zich elimineren geen enkel gevaar. De verstrekte instructies en waarschuwingen gelden niet als vervanging voor gepaste voorzorgsmaatregelen tegen ongevallen.

⚠ WAARSCHUWING: Lees en begrijp alle veiligheidsinstructies die in deze gebruiksaanwijzing staan vermeld, waaronder alle veiligheidssymbolen zoals "GEVAAR," "WAARSCHUWING," en "OPGELET" voordat u dit gereedschap in gebruik neemt. Het negeren van onderstaande instructies kan leiden tot een elektrische schok, brand en/of ernstig persoonlijk letsel.

	Veiligheids-waarschuwing	Voorzorgsmaatregelen voor uw veiligheid
	Lees & begrijp de gebruiksaanwijzing	De gebruiker dient de gebruiksaanwijzing voor het gebruik van dit product te lezen en te begrijpen om risico op letsel te beperken.
	Regenoms-tandigheden	Vermijd blootstelling aan regen.
	CE	Dit product is in overeenstemming met de EG-richtlijnen.
	UKCA	Dit product is in overeenstemming met de toepasselijke richtlijnen van het VK.

	WEEE	Gooi elektrisch afval niet via het huishoudelijk afval weg. Breng het naar een geautoriseerd recyclingbedrijf.
IPX4	Beschermingsgraad bij binnendringen	Bescherming tegen opspattend water
	Gelijkstroom	Stroomtype of -karakteristiek
V	Volt	Spanning
cm	Centimeter	Lengte of afmeting
m/s	Meter per seconde	Snelheid
L/h	Liter per uur	Stroomsnelheid
°C	Celsius	Temperatuur
kg	Kilogram	Gewicht

ALGEMENE VEILIGHEIDSWAARSCHUWINGEN

⚠ WAARSCHUWING: Om het risico op brand, elektrische schok of lichamelijk letsel te beperken:

- **Ken uw vernevelingsventilator. Lees de gebruiksaanwijzing zorgvuldig door. Leer zowel zijn toepassingen en beperkingen als de specifieke mogelijke gevaren omtrent deze ventilator kennen.** Dit beperkt het risico op een elektrische schok, brand of ernstig letsel.
- Dit apparaat is niet bedoeld voor gebruikers (waaronder kinderen) met beperkte fysieke, visuele of mentale mogelijkheden, of die een gebrek hebben aan ervaring en kennis, tenzij ze supervisie of instructies hebben gekregen omtrent het gebruik van het apparaat door een persoon die verantwoordelijk is voor hun veiligheid.
- Houd toezicht op kinderen zodat ze niet met het apparaat spelen.

VEILIGHEID OP DE WERKPLAATS

- **Gebruik de ventilator niet in explosieve omgevingen, zoals in de aanwezigheid van ontvlambare vloeistoffen, gassen of stof.**
- **Houd kinderen en omstanders uit de buurt tijdens het gebruik van een elektrisch apparaat.** Aflleiding kan tot controleverlies leiden.

- **Wees voorzichtig tijdens het gebruik in winderige omstandigheden.** Winden kunnen de nevel in elektrische bedrading of apparaten waaien.
- **Stel het apparaat niet bloot aan regen of natte omstandigheden.** Water dat in elektrisch gereedschap binnendringt, vergroot het risico op een elektrische schok.

PERSOONLIJKE VEILIGHEID

- **Wees waakzaam, let op wat u doet en gebruik uw gezond verstand wanneer u elektrisch apparaat gebruikt.** Gebruik het apparaat niet als u moe of verward bent, of onder de invloed staat van drugs, alcohol of medicijnen. Een moment van onoplettendheid tijdens het gebruik van het apparaat kan leiden tot ernstig persoonlijk letsel.
- **Vermijd dat het gereedschap per ongeluk wordt gestart. Zorg ervoor dat de schakelaar is ingesteld op de uit-positie voordat u het toestel op het accupack aansluit, vastneemt of draagt.** Het dragen van het apparaat met uw vinger op de schakelaar of het apparaat ingeschakeld op de stroomvoorziening aansluiten kan ongevallen veroorzaken.
- **Verwijder instelsleutels of moersleutels voordat u het apparaat inschakelt.** Een instelsleutel of moersleutel in een draaiend deel van het apparaat achterlaten kan leiden tot persoonlijk letsel.
- **Reik niet te ver. Zorg er altijd voor dat u stevig en stabiel staat.** Dit zorgt ervoor dat u het apparaat in onverwachte situaties beter onder controle kunt houden.
- **Draag passende kleding. Draag geen los hangende kleding of sieraden. Houd uw haar en kleding uit de buurt van bewegende onderdelen.** Los hangende kleding, sieraden en lang haar kunnen in bewegende onderdelen verstrikt raken.
- **Controleer of alle aansluitingen goed vastzitten voordat u het apparaat in gebruik neemt.**
- **Word niet zelfingenomen door de ervaring van het apparaat, waardoor u dan de veiligheidswaarschuwingen van het apparaat negeert.** Een achteloze actie kan binnen een fractie van een seconde ernstig letsel veroorzaken.

GEbruik EN VERZORGING

- **Gebruik het apparaat niet als de schakelaar niet kan worden in- en uitgeschakeld.** Een apparaat dat niet met de schakelaar kan worden bediend is gevaarlijk en moet worden gerepareerd.
- **Ontkoppel het accupack van het apparaat alvorens aanpassingen uit te voeren, accessoires te vervangen of het apparaat op te bergen.** Deze

preventieve veiligheidsmaatregelen beperken het risico op onbedoeld starten van het apparaat.

- **Bewaar het niet-gebruikte apparaat buiten het bereik van kinderen en laat het apparaat niet bedienen door personen die niet bekend zijn met het apparaat of deze instructies.** Apparaten zijn gevaarlijk wanneer ze door onervaren personen worden gebruikt.
- **Onderhoud het apparaat en de accessoires. Controleer of de bewegende onderdelen correct functioneren en niet vastklemmen en/of de onderdelen zodanig gebroken of beschadigd zijn dat de werking van het apparaat nadelig wordt beïnvloed. Laat het apparaat bij beschadiging repareren voordat u het in gebruik neemt.** Vele ongevallen worden veroorzaakt door een slecht onderhouden apparaat.
- **Gebruik het apparaat en accessoires etc. in overeenstemming met deze instructies en houd hierbij rekening met de werkomstandigheden en de uit te voeren werkzaamheden.** Het gebruik van het apparaat voor andere dan de beoogde toepassingen kan een gevaarlijke situatie tot gevolg hebben.
- **Houd de handgrepen en greepvlakken droog, schoon en vrij van olie en smeervet.** Glibberige handgrepen en greepvlakken maken een veilige omgang en de controle over het elektrisch gereedschap in onverwachte situaties onmogelijk.

⚠ WAARSCHUWING: Gebruik deze ventilator niet met een vaste snelheidsregelaar om het risico op brand of een elektrische schok te verminderen.

ACCUGEREEDSCHAP GEBRUIKEN EN ONDERHOUDEN

- **Opladen alleen met de lader die door de fabrikant is aangegeven. Een lader die geschikt is voor een bepaald type accupack kan tot brandgevaar leiden wanneer hij gebruikt wordt met een ander accupack.**
- **Gebruik het apparaat alleen met de specifiek vermelde accupacks. Het gebruik van andere accupacks kan risico op letsel en brandgevaar veroorzaken.**
- **Wanneer u het accupack niet gebruikt, houd het uit de buurt van andere metalen voorwerpen zoals paperclips, munten, sleutels, spijkers, schroeven of andere kleine metalen voorwerpen die de twee aansluitklemmen kunnen verbinden.** Het kortsluiten van de aansluitklemmen kan brandwonden of brand veroorzaken.

- **Bij verkeerd gebruik kan er vloeistof uit de accu worden gespoten; vermijd elk contact. Als aanraking met de vloeistof toevallig plaatsvindt, spoel het dan af met water. Als de vloeistof in de ogen komt, dient u onmiddellijk een arts te consulteren.** Vloeistof dat uit de accu wordt gespoten kan irritatie of brandwonden veroorzaken.
- **Gebruik geen accupack of apparaat dat is beschadigd of aangepast.** Beschadigde of aangepaste accu's kunnen resulteren in onvoorziën gedrag zoals brand, explosie of het risico op letsel.
- **Stel een accupack of toestel niet bloot aan vuur of excessieve temperaturen.** Blootstelling aan vuur of temperaturen boven 130°C kunnen leiden tot een explosie.
- **Neem alle laad instructies in acht en laad het accupack of het apparaat niet buiten het gespecificeerde temperatuurbereik in de handleiding op.** Het onjuist laden of bij een temperatuur buiten het temperatuurbereik kan de accu beschadigen en er bestaat een gevaar op brand.
- **Houd het apparaat en de greep droog, schoon en vrij van olie en vet. Gebruik alleen een schone doek om het apparaat te reinigen. Maak uw ventilator nooit schoon met een remvloeistof, benzine of producten op basis van aardolie of andere agressieve oplosmiddelen.** Door deze regel op te volgen beperkt u het risico op controleverlies en aantasting van de kunststof behuizing.
- **Accu's kunnen exploderen in de aanwezigheid van een ontstekingsbron, zoals een waakvlam. Om het risico op ernstig persoonlijk letsel te beperken, mag u nooit een snoerloos product in de aanwezigheid van open vuur gebruiken. Een geëxplodeerde accu kan vuil en chemische stoffen vrijgeven.** Mocht u hieraan worden blootgesteld, dient u het onmiddellijk met water af te spoelen.
- **Bewaar deze instructies.** Raadpleeg de gebruiksaanwijzing indien nodig en gebruik deze om andere personen die deze ventilator zullen gebruiken te instrueren. Als u deze ventilator aan iemand anders geeft, geef hem/haar dan in ieder geval ook de gebruiksaanwijzing mee om verkeerd gebruik en mogelijk letsel te voorkomen.

SERVICE

- **Laat uw apparaat repareren door een gekwalificeerd persoon en alleen met identieke reserveonderdelen.** Dit waarborgt dat de veiligheid van het apparaat behouden blijft.
- **Repareer beschadigde accupacks nooit.** Onderhoud van accupacks mag alleen worden uitgevoerd door de fabrikant of een geautoriseerde dienstverlener.

VEILIGHEIDSLINSTRUCTIES VOOR DRAADLOZE VERNEVELINGSVENTILATOR

- **Sta niet toe dat de ventilator als speelgoed wordt gebruikt.** Houd toezicht wanneer gebruikt door of in de buurt van kinderen.
- **Kinderen kunnen in emmers vallen en verdrinken.** Houd kinderen uit de buurt van emmers met zelfs maar een kleine hoeveelheid vloeistof.
- **Gebruik ALLEEN schoon, koud water.**
- **Gebruik deze vernevelingsventilator niet om pesticiden, vloeibare meststoffen, chemicaliën of andere vloeistoffen dan schoon water te verspreiden.** Het verspreiden van dit soort stoffen kan leiden tot ernstig letsel of ziekte bij de gebruiker of omstanders.
- **Richt nooit nevel of water op elektrische bedrading of apparaten.**
- **Zorg ervoor dat de afdekking van het batterijvak volledig gesloten is om te voorkomen dat water in contact komt met de batterij of de batterijpoort binnendringt.**
- **Laat het water nooit in het reservoir staan als het apparaat niet in gebruik is.**
- **Leeg en reinig de vernevelingsventilator voordat u deze opbergt.** Reinig de luchtbevochtiger voor het volgende gebruik.

⚠ WAARSCHUWING: Micro-organismen die aanwezig kunnen zijn in het water of in de omgeving waar het apparaat wordt gebruikt of opgeslagen, kunnen in het waterreservoir groeien en in de lucht worden geblazen en zeer ernstige gezondheidsrisico's veroorzaken wanneer het water niet wordt verversd en het reservoir niet om de 3 dagen goed wordt gereinigd.

- Oplaadbare batterijen moeten uit het apparaat worden verwijderd voordat ze worden opgeladen
- Lege batterijen moeten uit het apparaat worden verwijderd en veilig worden verwijderd

- Als het apparaat gedurende een langere periode moet worden opgeborgen en niet wordt gebruikt, moeten de batterijen worden verwijderd
- De aansluitpolen mogen niet worden kortgesloten.

Bewaar deze gebruiksaanwijzing

Specificaties

Spanning	56 V
Diameter van het ventilatorblad	45,7 cm
Instellingen ventilatorsnelheid	6 (inclusief "Turbo")
Max. luchtvolume	7000 m ³ /h
Max. lichtsnelheid	10,3 m/s
Watervolume verneveld	I: 4,5 l/u
	II: 11,4 l/u
Aanbevolen opslagtemperatuur	-20°C ~ 70°C
Gewicht (zonder accupack)	10,4 kg

Inhoud van de verpakking

Naam van het onderdeel		Aantal
Vernevelingsventilator		1
Montage van het wiel	Wiel	2
	Wieldop	2
	Schroef met ring	2
Montage van de bovengreep	Bovengreep	1
	Schroef met ring	4
Sleutel		1
Reserve mondstuk		1
Gebruiksaanwijzing		1

Beschrijving

Ken uw vernevelingsventilator (afb. A & afb. A1)

1. Bovengreep
2. Ventilatorbehuizing
3. Vergrendelknop ventilatorbehuizing
4. Wiel (x2)
5. Vernevelingsmondstuk (x4)
6. Telescopische greep
7. Accupak
8. Inlaatbuis
9. Filter
10. Besturingsinterface
11. Aan-/uit-knop
12. Luchtsnelheidsindicator
13. TURBO-indicator
14. TURBO-knop
15. Instelknop voor de luchtsnelheid
16. Keuzeknop vernevelingsmodus
17. Vernevelingsindicator

Montage

⚠ WAARSCHUWING: Als er onderdelen beschadigd zijn of ontbreken, gebruik dit product niet totdat alle onderdelen vervangen of aanwezig zijn. Dit product gebruiken met beschadigde of ontbrekende onderdelen kan ernstig persoonlijk letsel veroorzaken.

⚠ WAARSCHUWING: Probeer niet om dit product aan te passen of accessoires te maken die niet voor gebruik met deze ventilator zijn aanbevolen. Een dergelijke aanpassing of wijziging is misbruik en kan leiden tot gevaar en een ernstig persoonlijk letsel.

⚠ WAARSCHUWING: Verwijder altijd het accupack uit het product wanneer u onderdelen monteert, aanpassingen uitvoert, het product reinigt of wanneer het niet in gebruik is. Het verwijderen van het accupack voorkomt een toevallige inschakeling dat ernstig persoonlijk letsel kan veroorzaken.

Montage van de wielen (afb. B)

1. Lijn het gat van een van de wielen uit met de wielas van de ventilator en monteer het wiel op de as.
2. Steek een van de wielschroeven door het gat van het wiel in de wielas en draai de schroef vervolgens vast met de meegeleverde moersleutel.
3. Klik de wieldop op het wiel.
4. Monteer het andere wiel volgens de bovenstaande stappen 1 - 3.

De bovengreep bevestigen (afb. C)

1. Lijn de vier meegeleverde schroeven uit met de gaten in de bovengreep en de gaten in de behuizing van de ventilator.
2. Plaats de schroeven en draai ze vervolgens vast met de meegeleverde moersleutel.

Afb. B en afb. C beschrijving van de onderdelen zie beneden:

B-1	Wiel (2)	B-3	Schroef met onderlegging (2)
B-2	Wielas (2)	B-4	Wieldop (2)
C-1	Bovengreep	C-2	Schroef met onderlegging (4)
C-3	Schroefgat		

GEBRUIK

NL

⚠ WAARSCHUWING: Vertrouwdheid kan leiden tot onvoorzichtigheid. Opgelet, één seconde van onoplettendheid kan ernstig letsel teweegbrengen.

⚠ WAARSCHUWING: Gebruik geen opzetstukken of toebehoren die niet door de fabrikant van dit product zijn aanbevolen. Het gebruik van niet aanbevolen opzetstukken of toebehoren kan leiden tot ernstig persoonlijk letsel.

Voor elk gebruik dient u het complete product op beschadigingen, missende of los zittende onderdelen zoals schroeven, moeren, bouten, doppen etc. te controleren. Draai alle bevestigingen en doppen goed vast en gebruik dit product niet totdat alle missende of beschadigde onderdelen zijn vervangen.

⚠ WAARSCHUWING: Verwijder altijd het accupack uit het product wanneer u onderdelen monteert, aanpassingen uitvoert, het product reinigt of wanneer het niet in gebruik is. Het verwijderen van het accupack voorkomt een toevallige inschakeling dat ernstig persoonlijk letsel kan veroorzaken.

APPLICATIES

U kunt dit product gebruiken voor onderstaand vermelde doeleinden:

- Algemene ventilatie in de meeste huishoudelijke toepassingen
- Buitenkoeling bij een aansluiting op een waterbron

DE VENTILATORHOEK AANPASSEN (afb. D)

1. Pak de bovengreep vast om de behuizing van de ventilator vast te houden.
2. Draai de vergrendelknop van de ventilator **TEGEN DE KLOK IN** om de aanpasbare behuizing van de ventilator los te maken.
3. Kantel de aanpasbare behuizing van de ventilator naar voren of achteren in de gewenste hoek. De ventilator kan tot 90° naar voren tot 135° naar achteren worden gedraaid.

4. Draai de vergrendelknop **MET DE KLOK MEE** om de behuizing van de ventilator in de gewenste hoek vast te zetten.

HET ACCUPACK PLAATSEN/VERWIJDEREN (afb. E)

Gebruik het gereedschap alleen met de in afb. A2 vermelde accupacks en opladers van EGO.

Voor de eerste ingebruikname volledig opladen.

Installeren

1. Trek aan de afdekking van het batterijvak om het te openen.
2. Breng de geleiders van de accu overeen met de montagesleuven en druk het accupack naar beneden totdat u "klik" hoort.

Verwijderen

1. Druk de accu-ontgrendelingsknop naar beneden en til het accupack eruit.
2. Druk de afdekking van het batterijvak om het te sluiten. Zorg ervoor dat het volledig gesloten is om te voorkomen dat water in contact komt met de batterij of de batterijpoort binnendringt.

Afb. E beschrijving van de onderdelen zie beneden

E-1	Accu-ontgrendelingsknop
E-2	Accuvak afdekking

DE VERNEVELINGSVENTILATOR STARTEN/STOPPEN

OPMERKING: De initiële fabrieksinstelling voor de luchtsnelheid is niveau 3. De ventilator slaat de laatst gebruikte luchtsnelheidsinstelling op en keert ernaar terug als hij opnieuw wordt gestart.

BELANGRIJK: Turbo-instelling wordt niet opgeslagen.

OPMERKING: De vernevelingsinstelling wordt niet opgeslagen en is standaard uitgeschakeld elke keer als de ventilator wordt ingeschakeld.

AANKNOP

- Druk kort op de aan/uit-knop om de ventilator **AAN** te zetten.
- Druk nogmaals kort op de aan/uit-knop om de ventilator **UIT** te schakelen.

AANPASSING VAN DE LUCHTSNELHEID

Normale luchtsnelheid

- Druk op de knop “+” om de luchtsnelheid te verhogen en druk op de knop “-” om de luchtsnelheid te verlagen. Er zijn 5 snelheidsniveaus.
- De luchtsnelheidsindicator geeft met behulp van groene lampjes het huidige snelheidsniveau weer.

TURBO-modus

- Druk op de “TURBO”-knop, waarna de TURBO-indicator groen brandt en de ventilator overschakelt naar de “TURBO”-modus, dwz de hoogste luchtsnelheid.
- Druk in de “TURBO”-modus nogmaals op de “TURBO”-knop, waarna de TURBO-indicator uit gaat en de ventilator de eerder geactiveerde luchtsnelheid oppakt.
- Druk in de “TURBO”-modus op de “-” knop, waarna de TURBO-indicator uit gaat en de ventilator overschakelt naar luchtsnelheidsniveau 5.

VERNEVELINGSFUNCTIE

DE VENTILATOR MET EEN EMMER WATER GEBRUIKEN (NIET INBEGREPEN) (afb. F)

WAARSCHUWING: Kinderen kunnen in emmers vallen en verdrinken. Houd kinderen uit de buurt van emmers die zelfs maar een kleine hoeveelheid vloeistof bevatten.

OPMERKING: Reinig de emmer voor elk gebruik met water en zeep.

1. Ontkoppel het accupack.
2. Plaats de emmer op een vlakke, egale ondergrond.
3. Vul de emmer ALLEEN met schoon, koud water. Maak hem niet te vol.
4. Dompel het filteruiteinde van de inlaatbuis onder in de emmer met water.

OPMERKING: Buig de inlaatbuis niet en zorg er altijd voor dat het water soepel door de buis stroomt.

5. Plaats het accupack en sluit het batterijvakdeksel.
6. Druk op de aan/uit-knop om de ventilator AAN te zetten.
7. Druk op de keuzeknop vernevelingsmodus om te beginnen met vernevelen:
 - Druk een keer op de keuzeknop vernevelingsmodus waarna de vernevelingsindicator met twee groene lampjes

zal branden, wat de ‘continue’ vernevelingsmodus aangeeft - de hele tijd vernevelen zonder te stoppen.

OPMERKING: Het kan ongeveer 15 seconden duren voordat de nevel daadwerkelijk uit de vernevelingsmondstukken ziet komen. Deze vertraging is te wijten aan de tijd die het water nodig heeft om van de emmer water naar de mondstukken te stromen.

- Druk nogmaals op de keuzeknop vernevelingsmodus waarna op de vernevelingsindicator een groen lampje brandt dat de ‘intermitterende’ vernevelingsmodus aangeeft - elke 10s 5 seconden verneveling.
- Wanneer de verneveling in de intermitterende modus staat, drukt u nogmaals op de keuzeknop vernevelingsmodus waarna de indicatielampjes van de verneveling uitgaan en het vernevelen stopt.

OPMERKING: Wanneer het vernevelen is afgesloten, trekt u de inlaatbuis uit het water en laat u de ventilator in de vernevelingsmodus lopen totdat al het water uit de buis is verdwenen. Dit helpt voorkomen dat het resterende water in de buis onverwacht verneveld wanneer de ventilator opnieuw wordt ingeschakeld.

DE VENTILATOR GEBRUIKEN ZONDER VERNEVELING

Indien gewenst kan dit product alleen als ventilator worden gebruikt, wanneer het niet is aangesloten op een waterbron. Plaats de inlaatbuis altijd in de daarvoor bestemde ruimte als hij niet in gebruik is (zie paragraaf “OPSLAG” in deze handleiding) om hem te beschermen tegen beschadiging en verontreiniging.

INTERNE BESCHERMING

Wanneer de vernevelingsfunctie is geactiveerd maar er geen waternevel uit komt:

- De waterpomp blijft even draaien en stopt dan automatisch om de interne elektronica te beschermen.
- Afhankelijk van de vernevelingsmodus zal de vernevelingsindicator gedurende korte tijd een of twee groene lampjes weergeven en vervolgens continu groen knipperen als waarschuwing voor de operator om:
 - a. Controleer of de inlaatbuis goed in water is ondergedompeld.
 - b. Controleer of de vernevelingsmondstuk(ken) verstopt zijn en reinig deze overeenkomstig het hoofdstuk “ONDERHOUD VAN DE MONDSTUKKEN”.

- c. Druk op de keuzeknop vernevelingsmodus om het vernevelen opnieuw te starten.

ONDERHOUD

⚠ WAARSCHUWING: Gebruik voor reparaties uitsluitend identieke reserve-onderdelen. Het gebruik van andere onderdelen kan gevaar opleveren of schade aan het product veroorzaken. Laat alle reparaties uitvoeren door een vakbekwame reparateur om een continue veiligheid en betrouwbaarheid te waarborgen.

⚠ WAARSCHUWING: Om ernstig persoonlijk letsel te voorkomen dient u het accupack voor de reiniging of het onderhoud altijd uit het product te halen.

ALGEMEEN ONDERHOUD

Maak de kunststof onderdelen niet schoon met oplosmiddelen. De meeste kunststoffen kunnen worden beschadigd wanneer ze in contact komen met commerciële oplosmiddelen. Gebruik een schone doek voor het verwijderen van vuil, stof, olie, smeer, etc.

⚠ WAARSCHUWING: Zorg dat remvloeistoffen, benzine, producten op basis van aardolie, oliën, etc. op geen enkel moment in aanraking komen met de kunststof onderdelen. Chemicaliën kunnen de kunststof onderdelen beschadigen, verzwakken of vernietigen en ernstig persoonlijk letsel veroorzaken.

ONDERHOUD VAN DE MONDSTUKKEN (afb. G)

⚠ WAARSCHUWING: Zorg ervoor dat al het onderhoud aan de vernevelingsmondstukken correct wordt uitgevoerd om waterlekken te voorkomen. Het lekken kan resulteren in een glad oppervlak, waardoor gevaar voor uitglijden en vallen ontstaat of materiële schade wordt veroorzaakt.

Om de mondstukken vrij te maken

1. Zet de ventilator uit en verwijder het accupack.
2. Verwijder de verstopte messing mondstukken door ze TEGEN DE KLOK IN te draaien.
3. Demonteer elk betrokken mondstuk in zijn onderdelen.
4. **Om vreemde deeltjes te verwijderen die de mondstukken belemmeren of verstopen**, spoelt u de onderdelen van de mondstukken af met water.
Om kalkaanslag (mineraal) te verwijderen, reinigt u de onderdelen van het mondstuk zo nodig met witte azijn of een ander ontkalkingsmiddel.

5. Zet de mondstukken weer in elkaar.

OPMERKING: Om verstopping te voorkomen, moet u ervoor zorgen dat het mondstuk precies wordt gemonteerd zoals weergegeven in afb. G.

6. Breng de schone mondstukken weer aan.

ONDERHOUD VAN DE FILTER (afb. H)

Inspecteer de filter aan het uiteinde van de inlaatbuis regelmatig om er zeker van te zijn dat hij in goede staat verkeert.

1. Trek de filter uit de inlaatbuis.
2. Schroef de filter los in zijn onderdelen en verwijder het sponsgaas.
3. Spoel het sponsgaas af of vervang het indien nodig.
4. Zet het filter weer in elkaar en sluit hem weer aan op de inlaatbuis.

Afb. H beschrijving van de onderdelen zie beneden

H-1	Filter	H-3	Sponsgaas
H-2	Bovenste deel	H-4	Onderste deel

ONDERHOUD VAN DE BEHUIZING VAN DE VENTILATOR (afb. I1 & afb. I2)

⚠ WAARSCHUWING: Zorg ervoor dat de accupacks uit het product zijn verwijderd voordat u de beschermkap verwijderd.

1. Draai de zes schroeven los en verwijder ze om de voorste roosterbescherming GEDEELTELIIK van de behuizing van de ventilator te tillen.

⚠ OPGELET: Om schade te voorkomen, mag u de voorste roosterbescherming niet volledig verwijderen zonder EERST de inlaatbuis los te koppelen.

2. Druk het zwarte rubber aan het uiteinde van de moer in om de inlaatbuis eruit te trekken.
3. Verwijder de voorste roosterbescherming volledig.
4. Draai de vergrendelingskap van het ventilatorblad met de klok mee om het ventilatorblad van de as los te maken.
5. Het ventilatorblad verwijderen.
6. Reinig indien nodig het ventilatorblad en de binnenkant van de behuizing.
7. Monteer ze in omgekeerde volgorde weer en zorg ervoor dat:
 - de inlaatbuis goed is aangesloten op de moer.

- de inlaatbuis goed in de gleuf op de roosterbescherming is geplaatst.

Afb. I1 en I2 beschrijving van de onderdelen zie beneden

I1-1	Voorste roosterbescherming	I1-4	Zwart rubber
I1-2	Schroef (6)	I1-5	Inlaatbuis
I1-3	Moer	I2-1	Vergrendelingskap
I2-2	Ventilatorblad		

TRANSPORT

- De ventilator is voorzien van een bovengreep om de ventilator te dragen voor korte afstanden of het oversteken van ruw oppervlak/terrein.
- Gebruik voor transport over lange afstanden de telescopische greep om de ventilator te rollen. Gebruik de bovengreep om de ventilator te kantelen en trek vervolgens de telescopische greep uit totdat u een "klik" hoort. Wanneer de telescopische greep niet wordt gebruikt, duwt u hem in het apparaat (afb. J).

OPSLAG

1. Het accupack verwijderen.
2. Maak de ventilator grondig schoon.
3. Maak de inlaatbuis en filter schoon.
4. Plaats de inlaatbuis in een van de opslagposities aan de achterkant van de ventilator (afb. K1 & afb. K2).
5. Berg de ventilator op in een droge, goed geventileerde omgeving buiten het bereik van kinderen. Berg de ventilator niet op in de buurt van meststoffen, benzine of andere chemicaliën.

HET MILIEU BESCHERMEN



Gooi geen elektrische apparatuur, gebruikte accu's en laders weg via het huishoudelijk afval! Geef dit product af bij een geautoriseerd recyclingbedrijf en zorg dat het apart kan worden ingezameld. Elektrisch gereedschap moet worden afgegeven voor een milieuvriendelijke recycling.

NL

PROBLEEMOPLOSSING

PROBLEEM	OORZAAK	OPLOSSING
Hulpmiddel werkt niet.	<ul style="list-style-type: none">■ Accupack is bijna leeg.■ Het accupack of de ventilator is te heet.	<ul style="list-style-type: none">■ Laad het accupack op.■ Zet de ventilator uit en laat de ventilator en het accupack afkoelen.
Er is geen waterverveeling en op de verveelingsindicator knipperen twee groene lampjes.	<ul style="list-style-type: none">■ De inlaatbuis zuigt geen water aan, waardoor de interne bescherming voor de waterpomp in het apparaat wordt geactiveerd.■ De vernevelaarmondstuk(ken) raken verstopt tijdens het gebruik, waardoor de interne bescherming voor de waterpomp werd geactiveerd.	<ul style="list-style-type: none">■ Controleer en zorg ervoor dat er voldoende water in de emmer zit en dat de inlaatbuis is ondergedompeld in het water.■ Maak de mondstuk(ken) schoon volgens het hoofdstuk "ONDERHOUD VAN DE MONDSTUKKEN" en monteer ze volgens de instructies.
Waterlekkage vindt plaats na onderhoud aan de behuizing van de ventilator.	<ul style="list-style-type: none">■ De moer die de inlaatbuis verbindt is onverwacht losgeraakt.	<ul style="list-style-type: none">■ Open de behuizing van de ventilator volgens het hoofdstuk "ONDERHOUD VAN DE VENTILATORBEHUIZING". Controleer en zorg ervoor dat de moer volledig is vastgedraaid.

NL

GARANTIE

EGO GARANTIEBELEID

Bezoek alstublieft de website egopowerplus.com voor de volledige voorwaarden van het EGO garantiebeleid.

LÆS ALLE ANVISNINGER!



LÆS BRUGERVEJLEDNINGEN

⚠ ADVARSEL: For at sikre sikkerhed og pålidelighed bør alle reparationer og udskiftninger udføres af en kvalificeret servicetekniker.

SIKKERHEDSSYMBOLER

Formålet med sikkerheds- symboler er at tiltrække din opmærksomhed på mulige farer. Du skal være meget opmærksom på sikkerhedssymbole og forklaringerne til dem og lære at forstå dem. Symbolernes advarsler fjerner ikke i sig selv eventuelle farer. De anvisninger og advarsler, de giver ingen erstatninger for ordentlig forebyggelse af ulykker foranstaltninger.

⚠ ADVARSEL: Sørg for at læse og forstå alle sikkerhedsanvisninger i denne brugsanvisning, inklusive alle sikkerhedssymboler, såsom "FARE", "ADVARSEL" og "FORSIGTIG", før du bruger dette værktøj. Hvis anvisningerne nedenfor ikke følges, kan det føre til elektrisk stød, brand og/eller alvorlig personskade.

	Sikkerhedsadvarsel	Forholdsregler omkring din sikkerhed
	Læs og forstå brugsanvisningen	For at reducere risikoen for skader, skal brugeren læse og forstå brugsanvisningen, før dette produkt tages i brug.
	Dis-funktion	Produktet må ikke udsættes for regn.
	CE	Dette produkt er i overensstemmelse med gældende EU-direktiver.
	UKCA	Dette produkt er i overensstemmelse med lovgivningen i Storbritannien.

	WEEE	Elektriske affaldsprodukter må ikke bortskaffes sammen med husholdningsaffald. Tag det til en godkendt genbrugsplads.
IPX4	Grad af beskyttelse mod indtrængning	Beskyttelse mod vandsprøjt
	Jævnstrøm (DC)	Spændingstype eller egenskab
V	Volt	Spænding
cm	Centimeter	Længde eller størrelse
m/s	meter pr. sekund	Hastighed
L/h	Liter i timen	Strømningshastighed
°C	Celsius	Temperatur
kg	Kg	Vægt

DK

GENERELLE SIKKERHEDSADVARSLER

⚠ ADVARSEL: For at reducere risikoen for brand, elektrisk stød, eller tilskadekomst:

- **Gør dig bekendt med ventilatoren. Læs brugsanvisningen grundigt igennem. Lær, hvordan ventilatoren bruges og dens begrænsninger, samt hvilke potentielle risici, der findes i forbindelse med denne ventilator.** Hvis denne regel følges, vil det mindske risikoen for elektrisk stød, brand eller alvorlig personskade.
- Dette apparat er ikke beregnet til brug af personer (herunder børn) med nedsat fysisk, sensorisk eller psykisk funktionsevne, eller manglende erfaring og viden, medmindre de er blevet vejledt eller instrueret i brugen af apparatet af en person med ansvar for deres sikkerhed.
- Børn bør overvåges, for at sikre, at de ikke leger med apparatet.

SIKKERHED PÅ ARBEJDSPLADSEN

- **Brug ikke ventilatoren i eksplosionsfarlig atmosfære, såsom i nærheden af brændbare væsker, gasser eller støv.**

- **Hold børn og tilskuere på afstand, når et apparat er i brug.** Distractioner kan medføre, at du mister kontrollen.
- **Vær forsigtig, hvis produktet bruges i blæsevej.** Vind kan føre disen ind i elektriske ledninger eller enheder.
- **Apparatet må ikke udsættes for regn eller våde forhold.** Hvis vand trænger ind et elværktøj, forøges risikoen for elektrisk stød.

PERSONLIG SIKKERHED

- **Vær forsigtig, hold øje med hvad du laver, og brug din sunde fornuft, når du bruger apparatet. Brug ikke apparatet, når du er træt, oprevet eller under indflydelse af narkotika, alkohol eller medicin.** Et øjeblik uopmærksomhed under brugen af apparatet kan føre til alvorlige personskader.
- **Forhindre utilsigtet start. Sørg for, at tænd/sluk-knappen er slukket, inden batteriet sættes på, og inden apparatet løftes op eller bæres rundt.** Hvis apparatet bæres med fingeren på kontakten, eller oplades med tænd/sluk-knappen tændt, øger det risikoen for ulykker.
- **Fjern indstillingsværktøj eller skrueøgler, før apparatet startes.** Hvis en skrueøgle eller en nøgle sidder i en drejende del på apparatet, kan det føre til personskader.
- **Undgå at række for langt frem. Sørg altid for at stå ordentligt fast og i god balance.** På denne måde får du bedre kontrol over apparatet i uventede situationer.
- **Brug passende tøj. Undgå, at bære løstsiddende tøj eller smykker. Hold hår og tøj fra bevægelige dele.** Løse tøj, smykker eller langt hår kan blive fanget i bevægelige dele.
- **Kontroller, at alle stikforbindelser sidder rigtigt før apparatet startes.**
- **Selvom du ofte bruger og har et godt kendskab til apparatet, må du ikke være overmodig eller glemme sikkerhedsprincipperne.** En uagtsom handling kan forårsage alvorlig skade i en brøkdelt af et sekund.

BRUG OG PLEJE

- **Apparatet må ikke bruges, hvis tænd/sluk-knappen ikke kan tænde og slukke.** Alle apparater, der ikke kan tændes/slukkes på tænd/sluk-knappen, er farlig og skal repareres.
- **Tag batteripakken ud af apparatet, inden du foretager eventuelle justeringer, skifter tilbehør eller lægger apparatet til opbevaring.** Sådanne forebyggende sikkerhedsforanstaltninger reducerer risikoen for at starte apparatet ved et uheld.

- **Apparater, der ikke bruges, skal holdes ude af børns rækkevidde. Lad ikke personer, der ikke er bekendt med apparatet eller disse instruktioner, bruge apparatet.** Apparater er farligt i hænderne på brugere, der ikke ved, hvordan det skal bruges.
- **Vedligehold apparatet og tilbehør. Kontrollér, at de bevægelige dele ikke er fejljusterede eller binder eller er i en tilstand, der kan påvirke apparatets drift. Hvis apparatet beskadiges, skal det repareres inden brug.** Mange ulykker skyldes dårligt vedligeholdte apparater.
- **Apparatet og eventuelt tilbehør skal bruges i overensstemmelse med disse instruktioner, under hensyntagen til arbejdsforholdene og det arbejde, der skal udføres.** Apparatet må ikke bruges til andet end dets tiltænkte formål, da dette kan føre til en farlig situation.
- **Hold håndtag og gribeblader tørre, rene og fri for olie og fedt.** Glatte håndtag og glatte overflader, der holdes i, gør værktøjet farligt at bruge i uventede situationer.

⚠ ADVARSEL: For at reducere risikoen for brand eller elektrisk stød, må du ikke bruge denne ventilator med nogen eksterne styringsanordninger.

BRUG OG PLEJE AF BATTERIVÆRKTØJER

- **Genoplad kun med opladeren er angivet af fabrikanten. Hvis en oplader, der er egnet til én slags batteri, bruges med en anden slags batteri, kan det føre til brand.**
- **Anvend kun apparater med særligt udpegede batteripakker. Brug af andre batterier kan skabe risiko for personskade og brand.**
- **Når batteripakken ikke er i brug, skal den holdes væk fra andre metalgenstande som papirclips, mønter, nøgler, søm, skruer eller andre små metalgenstande, der kan skabe forbindelse fra en pol til en anden.** Shorting batteripolerne sammen kan forårsage forbrændinger eller brand.
- **Ved forkert anvendelse kan der slippe væske ud af batteriet: Undgå kontakt. Hvis det alligevel skulle ske, skal området skylles med vand. Hvis væsken kommer i øjnene, skal man søge læge.** Væske fra batteriet kan forårsage irritation eller forbrændinger.
- **Brug ikke en batteripakke eller et apparat, der er beskadiget eller som er blevet ændret.** Beskadigede eller modificerede batterier kan opføre sig uforudsigeligt og forårsage brand, eksplosion eller risiko for personskade.
- **Batteriet og værktøjet må ikke udsættes for ild eller for høje temperaturer. Udsættelse for ild eller temperaturer over 130°C kan forårsage eksplosion.**

- **Følg alle anvisninger vedrørende opladning, og oplad ikke batteriet eller apparatet uden for temperaturområdet, der står i vejledningerne.** Forkert opladning eller temperaturer uden for det angivne område kan beskadige batteriet og øge risikoen for brand.

SERVICE

- **Få apparatet serviceret af en kvalificeret tekniker, og brug kun originale reservedele.** Dette vil sikre, at apparatet fortsat er sikker at bruge.
- **Udfør aldrig selv service på beskadigede batterier.** Service på batterier må kun udføres af producenten eller godkendte servicecentre.

SIKKERHEDSVEJLEDNINGER TIL DENNE BATTERIDREVNE VENTILATOR MED DIS

- **Ventilatoren må ikke bruges som legetøj.** Man skal være særligt opmærksom, når den anvendes af eller i nærheden af børn.
- **Børn kan falde ned i spande og drukne.** Hold børn væk fra spande, også selvom der kun er lidt væske i spanden.
- **Brug KUN rent, koldt vand.**
- **Denne ventilator med dis må ikke bruges til at sprøjte pesticider, flydende gødning, kemikalier eller andre væsker end rent vand.** Spredning disse stoffer kan være meget skadeligt og usundt for brugeren eller omkringstående personer.
- **Disen eller vandet må aldrig rettes mod elektriske ledninger eller enheder.**
- **Sørg for, at dækslet til batterirummet er helt lukket, så vand ikke kommer i kontakt med batteriet eller trænger ind i batteristykket.**
- **Hold apparatet og dens håndtag tørre, rene og fri for olie og fedt. Brug altid en ren klud ved rengøring. Brug aldrig bremsevæske, benzin, oliebaseerede produkter eller andre kraftige opløsningsmidler til rengøring af ventilatoren.** Hvis denne regel følges, vil det mindske risikoen for tab af kontrol og ødelæggelse af plastikkabinettet.
- **Batterier kan eksplodere i nærheden af en antændelseskilde, såsom en flamme. For at reducere risikoen for alvorlig personskade bør man aldrig bruge ledningsfrie produkter i nærheden af åben ild. Et eksploderet batteri kan sende snavs og kemikalier i alle retninger.** Ved udsættelse herfor skylles straks med vand.
- **Gem disse vejledninger.** Brug dem regelmæssigt, og brug dem til at instruere andre, der skal bruge denne værktøj. Hvis du låner denne ventilator ud til nogen, skal du sørge for, at vejledningerne følger med, så de undgår fejlbrug af produktet og mulige personskader.

- Vær opmærksom på, at høje fugtighedsniveauer kan fremme vækst af biologiske organismer i miljøet.
- Området omkring ventilatoren med dis må ikke blive fugtigt eller vådt. Hvis der opstår fugt, skal du skrue ned for dis-udblæsningen på ventilatoren. Hvis dis-udblæsningen ikke kan skrues ned, skal ventilator kun bruges med mellemrum. Undgå, at absorberende materialer, såsom tæpper, gardiner, gardiner eller duge, bliver fugtige.
- Efterlad aldrig vand i beholderen, når apparatet ikke er i brug.
- Tøm og rengør dis-ventilatoren inden opbevaring. Rengør luftfugteren før den bruges igen.

DK

⚠ ADVARSEL: Der kan være mikroorganismer i vandet eller miljøet, hvor apparatet bruges eller opbevares. Disse kan vokse i vandbeholderen og blæses ud i luften, som kan være meget sundhedsskadeligt, hvis vandet ikke skiftes, og beholderen ikke rengøres ordentligt hver tredje dag.

- Genopladelige batterier skal tages ud af apparatet, inden de oplades
- Opbrugte batterier skal tages ud af apparatet og bortskaffes sikkert
- Hvis apparatet ikke skal bruges i længere tid, skal batterierne tages ud.
- Strømterminalerne må ikke kortsluttes.

GEM DISSE VEJLEDNINGER

SPECIFIKATIONER

Spænding	56 V
Diameter på ventilatorblad	45,7 cm
Indstillinger for ventilatorhastighed	6 (herunder "Turbo")
Maks. Luftmængde	7000 m³/t
Maks. Ventilatorhastighed	10,3 m/s
Vandmængde i ventilatoren	I: 4,5 L/t
	II: 11,4 L/t
Anbefalet opbevaringstemperatur	-20°C ~ 70°C
Vægt (uden batteri)	10,4 kg

PAKKELISTE

NAVN PÅ DELEN		QUANTITY
Ventilator med dis		1
Montering af hjul	Hjul	2
	Navhætte	2
	Skrue med skive	2
Montering af øvre tophåndtaget	Tophåndtag	1
	Skrue med skive	4
Skruenøgle		1
Reservedyse		1
Brugervejledning		1

DK

BESKRIVELSE

GØR DIG BEKENDT MED VENTILATOREN (fig. A og fig. A1)

1. Tophåndtag
2. Ventilatorkabinett
3. Låseknop til ventilatorkabinettet
4. Hjul (x2)
5. Dis-dyse (x4)
6. Teleskophåndtag
7. Batterirum
8. Indløbsrør
9. Filter
10. Betjeningsgrænseflade
11. Tænd/sluk-knap
12. Indikator til ventilatorhastighed
13. TURBO-indikator
14. TURBO-knap
15. Justeringsknop til ventilatorhastighed
16. Knap til valg af dis-funktion
17. Dis-indikator

SAMLING

⚠ ADVARSEL: Hvis der er dele, der er beskadigede eller mangler, anvendes apparatet ikke, før delene er udskiftet. Brug af dette produkt med beskadigede eller manglende dele kan medføre alvorlig personskade.

⚠ ADVARSEL: Forsøg ikke at ændre dette produkt eller fremstille tilbehør, der ikke anbefales til brug med denne ventilator. Enhver sådan ændring eller modifikation

er misbrug og kan resultere i en farlig situation og føre til eventuel alvorlig personskade.

⚠ ADVARSEL: Fjern altid batteriet fra produktet, når du monterer dele, foretager justeringer, ved rengøring, eller når det ikke bruges. Fjernelse af batteripakken vil forhindre utilsigtet start, der kan forårsage alvorlig personskade.

MONTERING AF HJULENE (fig. B)

1. Sæt hullet på hjulet mod ventilatorens hjulaksel, og sæt hjulet på akslen.
2. Stik en af hjulskruerne gennem hjulets hul og ind i hjulakslen. Spænd derefter skruen med den medfølgende skruenøgle.
3. Sæt navhætten fast på hjulet.
4. Sæt det andet hjul på ved, at følge ovenstående trin 1 - 3.

MONTERING AF TOPHÅNDTAGET (fig. C)

1. Sæt de fire medfølgende skruer mod hullerne i tophåndtaget og hullerne i ventilatorkabinettet.
2. Sæt skruerne i, og spænd dem fast med den medfølgende skruenøgle.

Beskrivelse af dele i fig. B og fig. C findes nedenfor:

B-1	Hjul (2)	B-3	Skrue med skive (2)
B-2	Hjulaksel (2)	B-4	Navhætte (2)
C-1	Tophåndtag	C-2	Skrue med skive (4)
C-3	Skruehul		

BETJENING

⚠ ADVARSEL: Lad ikke fortroilighed med dette produkt gøre dig skodesløs. Husk på, at det kan føre til alvorlige skader, hvis du ikke er opmærksom i blot et sekund.

⚠ ADVARSEL: Anvend ikke tilbehør eller påmonteringer, der ikke anbefales af fabrikanten af dette produkt. Brug af tilbehør eller påmonteringer, der ikke anbefales, kan forårsage alvorlig personskade.

Før hver brug skal du undersøge hele produktet for skader, manglende eller løse dele, såsom skruer, møtrikker, bolte, hætter osv. Tilspænd omhyggeligt alle dele og hætter, og betjen ikke dette produkt, før alle manglende eller beskadigede dele er udskiftet.

⚠ ADVARSEL: Fjern altid batteriet fra produktet, når du monterer dele, foretager justeringer, ved rengøring, eller når det ikke bruges. Fjernelse af batteripakken

vil forhindre utilsigtet start, der kan forårsage alvorlig personskade.

ANVENDELSER

Du kan bruge dette produkt til de formål, der er nævnt nedenfor:

- Generel ventilation ved almindelig brug i husholdningen
- Udendørs køling, med ventilatoren sluttet til en vandkilde

JUSTERING AF VENTILATORENS VINKEL (fig. D)

1. Tag fat i tophåndtaget for, at holde fast i ventilatorkabinettet.
2. Drej låseknappen til ventilatorkabinettet MOD URET for, at løsne kabinettet.
3. Vip det justerbare ventilatorkabinet frem eller tilbage til den ønskede vinkel. Ventilatoren kan dreje op til 90° fremad og op til 135° bagud.
4. Drej låseknappen MED URET for, at spænde ventilatorkabinettet fast i den ønskede vinkel.

PÅSÆTNING/AFTAGNING AF BATTERIPAKKEN (fig. E)

Produktet må kun bruges med EGO's batteripakker og opladere, der er anført i fig A2

Lad batteriet helt op inden første brug.

Montering

1. Træk i dækslet til batterirummet for, at åbne det.
2. Sørg for at rillerne på batteripakken passer med rillerne i batterirummet, og tryk batteripakken ned, indtil du hører et "klik".

Aftagning

1. Tryk på knappen til batteriudløseren, og træk batteripakken ud.
2. Tryk på dækslet til batterirummet for, at lukke det. Sørg for, at det lukkes ordentligt, så vand ikke kommer i kontakt med batteriet eller trænger ind i batteristikket.

Se beskrivelsen af delene i fig. E nedenfor

E-1	Knop til frigørelse af batteri
E-2	Dæksel til batterirummet

SÅDAN STARTES/STOPPES VENTILATOREN

BEMÆRK: Ventilatorens standardhastighed er 3. Ventilatoren gemmer den sidst brugte ventilatorhastighed, som bruges, når den startes igen.

VIGTIG: Turbo-indstillingen gemmes ikke.

BEMÆRK: Dis-indstillingen gemmes ikke, og den er som standard slået fra, når ventilatoren tændes.

TÆND/SLUK-KNAP

- Tryk på tænd/sluk-knappen for, at tænde ventilatoren.
- Tryk på tænd/sluk-knappen igen for, at slukke ventilatoren.

JUSTERING AF VENTILATORHASTIGHEDEN

Normal lufthastighed

- Tryk på knappen "+" for, at skrue op for ventilatorhastigheden. Tryk på knappen "-" for, at skrue ned for ventilatorhastigheden. Der er 5 hastighedsniveauer.
- Indikatoren til ventilatorhastigheden lyser grønne lys i henhold til den valgte hastighed.

TURBO-funktion

- Tryk på knappen "TURBO", hvorefter TURBO-indikatoren lyser grøn, og ventilatoren skifter til "TURBO"-funktionen, som er den højeste ventilatorhastighed.
- Når ventilatoren står på "TURBO"-hastigheden, skal du trykke på "TURBO"-knappen igen, hvorefter TURBO-indikatoren slukker, og ventilatoren går tilbage til dens forrige ventilatorhastighed.
- Når ventilatoren står på "TURBO"-funktionen, skal du trykke på knappen "-", hvorefter TURBO-indikatoren slukkes, og ventilatoren skifter til ventilatorhastighed 5.

DIS-FUNKTION

BRUG AF VENTILATOREN MED EN VANDSPAND (MEDFØLGER IKKE) (FIG. F)

⚠ ADVARSEL: Børn kan falde ned i spande og drukne. Hold børn væk fra spande med vand, også selvom der kun er lidt vand i spanden.

BEMÆRK: Rengør spanden med sæbe og vand før hver brug.

1. Tag batteripakken ud.
2. Sæt spanden på en flad og plan overflade.
3. Hæld KUN rent og koldt vand i spanden. Undgå, at fylde spanden for meget op.
4. Stik filterenden på indløbsrøret ned i spanden med vand.

DK

BEMÆRK: Bøj ikke indløbsrøret, og sørg altid for, at vandet strømmer ordentligt gennem røret.

5. Sæt batteriet i, og luk dækslet til batterirummet.
6. Tryk på tænd/sluk-knappen for, at tænde ventilatoren.
7. Tryk på knappen til valg af dis-funktionen for, at starte dis-udblæsningen:

- Tryk en gang på knappen til valg af dis-funktionen, hvorefter dis-indikatoren lyser med to grønne lys. På denne indstilling blæses dis ud hele tiden.

BEMÆRK: Det kan tage ca. 15 sekunder, før du rent faktisk ser disen komme ud af dyserne første gang. Denne forsinkelse skyldes tiden, det tager for vand at strømme fra vandspanden til dyserne.

- Tryk på knappen til valg af dis-funktionen igen, hvorefter dis-indikatoren lyser et grønt lys. På denne indstilling blæses dis ud i 5 sekunder hver 10. sekund.
- Når dis-funktionen står på halv, skal du trykke på knappen igen, hvorefter lyset i dis-indikatorerne går ud, og dis-udblæsningen stopper.

BEMÆRK: Når dis-udblæsningen er stoppet, skal du trække indløbsrøret ud af vandet og lade ventilatoren køre på dis-funktionen, indtil alt vandet i røret er væk. På denne måde undgår du uventet dis-udblæsning, når ventilatoren startes igen.

BRUG AF VENTILATOREN UDEN DIS

Hvis det ønskes, kan produkt bruges kun som ventilator, når det ikke er sluttet til en vandkilde. Når indløbsrøret ikke er i brug, skal det opbevares i opbevaringsområdet (se afsnittet "OPBEVARING" i denne vejledning), så det beskyttes mod skader og forurening.

INDBYGGET BESKYTTELSSESFUNKTION

Hvis dis-funktionen slås til, men der ikke blæses nogen dis ud:

- Vandpumpen fortsætter med at køre i et stykke tid, hvorefter den automatisk stopper. Dette er for, at beskytte elektronikken i produktet.
- Afhængigt af dis-udblæsningen, lyser dis-indikatoren et eller to grønne lys i et kort stykke tid, hvorefter de begynder at blinke. Dette er en advarsel, og brugeren skal gøre følgende:
 - a. Sørg for, at indløbsrøret er sat ordentligt ned i vandet.
 - b. Se, om nogen af dis-dyserne er tilstoppede og rengør dem, som beskrevet i kapitlet "VEDLIGEHOLDELSE AF DYSERNE".

- c. Tryk på knappen til valg af dis-funktionen for, at starte dis-udblæsningen igen.

VEDLIGEHOLDELSE

⚠ ADVARSEL: Ved service må der kun bruges originale reservedele. Brug af andre reservedele kan medføre fare eller forårsage skader på produktet. For at sikre sikkerhed og pålidelighed, bør alle reparationer udføres af en kvalificeret servicetekniker.

⚠ ADVARSEL: For at undgå alvorlig personskade, altid fjerne batteriet fra produktet ved rengøring eller udfører vedligeholdelse.

GENEREL VEDLIGEHOLDELSE

Undgå, at bruge opløsningsmidler til rengøring af plastdele. De fleste plastmaterialer risikerer at blive ødelagt, ved brug af forskellige slags alment tilgængelige opløsningsmidler. Brug rene klude til at fjerne snavs, støv, olie, fedt osv.

⚠ ADVARSEL: Lad aldrig bremsevæske, benzin, oliebaseerede produkter, indtrængende olier osv. komme i kontakt med plastdele. Kemikalier kan beskadige, svække og ødelægge plastic, hvilket kan føre til alvorlige personskader.

DYSEVEDLIGEHOLDELSE (fig. G)

⚠ ADVARSEL: Sørg for, at dis-dyserne vedligeholdes rigtigt, så du undgår vandlækager. Lækagerne kan gøre gulvet glat, hvilket kan føre til fare for fald og materielle skader.

Sådan rengøres dyserne

1. Sluk for ventilatoren, og tag batteriet ud.
2. Fjern de tilstoppede messingdyser ved, at dreje dem MOD URET.
3. Tag alle de berørte dyser af del for del
4. **For at fjerne eventuelle fremmedlegemer** der tilstopper eller begrænser dyserne, skal du skylle dysedelene med vand. **For at fjerne samlinger af kalk** skal dysedelene rengøres med hvid eddike eller andet afkalkningsmiddel efter behov.
5. Saml dyserne igen.

BEMÆRK: For at undgå, at dyserne tilstoppes, skal du sørge for, at de monteres nøjagtigt, som vist i fig. G.

6. Spænd de rene dyser på igen.

VEDLIGEHOLDELSE AF FILTERET (fig. H)

Kontroller regelmæssigt filteret på enden af indløbsrøret for at sikre, at det er i god stand.

1. Træk filteret ud af indløbsrøret.
2. Skru filteret af i dele, og tag svampenettet ud.
3. Skyl svampenettet eller skift det, hvis nødvendigt.
4. Sæt filteret i igen, og sæt det på indløbsrøret igen.

Se beskrivelsen af delene i fig. H nedenfor

H-1	Filter	H-3	Svampenet
H-2	Øvre del	H-4	Nedre del

VEDLIGEHOLDELSE AF VENTILATORKABINETTER (fig. I1 og fig. I2)

⚠ ADVARSEL: Sørg for, at batteripakkerne tages ud af produktet, før skærmen tages af.

1. Løs de seks skruer og tag dem af. Løft derefter forsikringskappen DELVIST af ventilatorkabinettet.

FORSIGTIG: For at undgå skader, må forsikringskappen ikke tages helt af, før indløbsrøret afbrydes FØRST.

2. Tryk på den sorte gummi-enden på møtrikken for at trække indløbsrøret ud.
3. Tag forsikringskappen helt af.
4. Drej ventilatorbladets låsedæksel med uret for, at løsne ventilatorbladet fra akslen.
5. Tag ventilatorbladet af.
6. Rengør ventilatorbladet og kabinettets indvendigt efter behov.
7. Sæt dem på igen i omvendt rækkefølge, og sørg for at:
 - indløbsrøret er sat ordentligt på møtrikken.
 - indløbsrøret sidder rigtigt i rillen på skærmen.

En beskrivelse af delene kan ses i fig. I1 og I2 nedenfor

I1-1	Forsikringskappe	I1-4	Sort gummi
I1-2	Skrue (6)	I1-5	Indløbsrør
I1-3	Møtrik	I2-1	Lås dæksel
I2-2	Ventilatorblad		

TRANSPORTERER

- Ventilatoren er udstyret med et tophåndtag, som den kan bæres med til korte ture eller hvis den skal flyttes over ujævne overflader.
- Ved transport over længere afstande, skal du holde i teleskophåndtaget og rulle med ventilatoren. Brug tophåndtaget til at vippe ventilatoren, og træk derefter teleskophåndtaget ud, indtil du hører et "klik". Når teleskophåndtaget ikke bruges, skal det trykkes ind i værktøjet (fig. J).

OPBEVARING

1. Fjern batteripakken.
2. Rengør ventilatoren grundigt.
3. Tøm indløbsrøret og filteret.
4. Sæt indløbsrøret i alle holderne bag på ventilatoren (fig. K1 og fig. K2).
5. Ventilatoren skal opbevares på et tørt sted og godt ventileret sted, uden for børns rækkevidde. Opbevar ikke ventilatoren på eller ved siden af kunstgødning, benzin eller andre kemikalier.

BESKYTTELSE AF MILJØET



Elektrisk udstyr, batterioplader og batterier må ikke smides ud sammen med almindelig husholdningsaffald! Tag dette produkt til en autoriseret genbrugsplads, og sørg for at det sendes til genbrug. Elektriske værktøjer skal returneres til et miljøkompatibelt genvindingsanlæg.

DK

FEJLFINDING

PROBLEM	ÅRSAG	LØSNING
Værktøjet virker ikke.	<ul style="list-style-type: none"> ▪ Lav strøm på batteriet. ▪ Batteriet eller ventilatoren er for varm. 	<ul style="list-style-type: none"> ▪ Oplad batteripakken. ▪ Sluk for ventilatoren, og lad den og batteriet køle ned.
Der blæses ikke nogen dis ud, og dis-indikatoren blinker med to grønne lys.	<ul style="list-style-type: none"> ▪ Indløbsrøret suger ikke vand ind, hvilket udløser vandpumpens indbyggede beskyttelsesfunktion i værktøjet. ▪ Dis-dyserne er blevet tilstoppet under brug, hvilket har udløst vandpumpens interne beskyttelsesfunktion. 	<ul style="list-style-type: none"> ▪ Sørg for, at der er nok vand i spanden, og at indløbsrøret er sat helt ned i vandet. ▪ Rengør dysen/dyserne som beskrevet i kapitlet "VEDLIGEHOLDELSE AF DYSERNE", og monter dem, som beskrevet.
Vand lækker efter ventilatorkabinettet er blevet vedligeholdt.	<ul style="list-style-type: none"> ▪ Møtrikken, der sidder på indløbsrøret har løsnet sig. 	<ul style="list-style-type: none"> ▪ Åbn ventilatorkabinettet som beskrevet i kapitlet "VEDLIGEHOLDELSE AF VENTILATORKABINETTET". Undersøg og sørg for, at møtrikken er spændt ordentligt fast.

DK

GARANTI

EGO GARANTI POLITIK

Besøg venligst hjemmesiden egopowerplus.com for fuldstændige vilkår og betingelser for EGO's garantipolitik.

LÄS IGENOM ALLA INSTRUKTIONER!



LÄS IGENOM BRUKSANVISNINGEN

⚠ VARNING: För att garantera säkerheten och pålitligheten skall alla reparationer och utbyten utföras av en kvalificerad servicetekniker.

SÄKERHETSSYMBOLER

Syftet med säkerhetssymboler är att uppmärksamma eventuella faror. Säkerhetssymbolerna och förklaringarna av dessa kräver din fullständiga uppmärksamhet och förståelse. Symbolvarningarna i sig eliminerar inte några faror. Instruktionerna och varningarna som ges är inte något substitut för korrekta åtgärder för förhindrande av olyckor.

⚠ VARNING: Var noga med att läsa och förstå alla säkerhetsinstruktioner i denna bruksanvisning, inklusive alla varningssymboler som t.ex. "FARA", "VARNING" och "FÖRSIKTIGHET" innan du använder detta verktyg. Underlåtenhet att läsa alla instruktioner som listas nedan kan resultera i elektrisk stöt, brand och/eller allvarlig personskada.

	Säkerhetslarm	Försiktighetsåtgärder som berör din säkerhet
	Läs och förstå bruksanvisningen	För att minska risker för skador måste användare läsa igenom och förstå bruksanvisningen innan denna produkt används.
	Regnförhållanden	Utsätt den inte för regn
	CE	Denna produkt är i enlighet med gällande EG-direktiv.
	UKCA	Denna produkt uppfyller tillämpliga lagar i Storbritannien.
	WEEE	Förbrukade elektriska produkter får inte kastas i hushållssoporna. Lämnas in dem till en auktoriserad återvinningsstation.

IPX4	Ingång skyddsgrad	Skydd mot stänkande vatten
	Likström	Typ eller karakteristik av ström
V	Volt	Spänning
cm	Centimeter	Längd eller storlek
m/s	Meter per sekund	Hastighet
L/h	Liter per timme	Flödehastighet
°C	Celsius	Temperatur
kg	Kilogram	Vikt

SE

ALLMÄNNA SÄKERHETSVARNINGAR

⚠ VARNING: För att minska risken för brand, elektriska stötar eller personskador:

- **Lär känna din fläkt. Läs noga igenom bruksanvisningen. Lär känna fläktens tillämpningar och begränsningar, samt specifika faror som är relaterade till denna fläkt.** Följ denna regel för att minska risken för elektriska stötar, brand eller allvarliga personskador.
- Denna apparat är inte avsedd för personer (inklusive barn) med nedsatt fysisk, sensorisk eller mental förmåga, eller av personer som saknar erfarenhet och kunskap såvida de inte övervakas eller mottagit instruktioner för användning av en person som är ansvarig för deras säkerhet.
- Barn bör övervakas så att de inte leker med apparaten.

ARBETSPLATSSÄKERHET

- **Använd inte fläkten i explosiva miljöer som t.ex. i närvaron av brandfarliga vätskor, gaser eller damm.**
- **Håll barn och åskådare borta medan apparaten används.** Störningarna kan göra att du tappar kontrollen.
- **Var försiktig när du använder den i blåsiga förhållanden.** Vindar kan föra in fukt i elektriska ledningar eller apparater.
- **Utsätt inte apparaten för regn eller fuktiga förhållanden.** Vatten som kommer in i en apparat ökar risken för elektriska stötar.

PERSONLIG SÄKERHET

- **Var uppmärksam och observant samt använd sunt förnuft när du använder ett apparaten. Använd inte apparaten om du är trött eller under påverkan av droger, alkohol eller medicin.** Ett ögonblicks ouppmärksamhet vid användning av apparaten kan leda till allvarliga personskador
- **Förebygg oavsiktlig start. Se till att strömbrytaren är i avstängt läge innan ett batteripaket ansluts, plockas upp eller apparaten bärs.** Att bära apparaten med fingret på strömbrytaren eller en strömansluten apparat som är påslagna inbjuder till olyckor.
- **Ta bort inställningsnycklar eller skiftnycklar innan apparaten slås på.** En skiftnyckel eller en nyckel som sitter kvar på en roterande del av apparaten kan resultera i personskada.
- **Sträck dig inte för långt. Ha ordentligt fotfäste och balans hela tiden.** Detta möjliggör bättre kontroll av apparaten i oväntade situationer.
- **Klä dig på lämpligt sätt. Bär inte löst sittande kläder eller smycken. Håll hår och klädsel på avstånd från de rörliga delarna.** Löst sittande kläder, smycken och långt hår kan fastna i rörliga delar.
- **Kontrollera att alla anslutningar är säkra innan du använder apparaten.**
- **Låt inte vana efter regelbunden användning av apparaten göra att du blir självsäker och ignorerar verktygets säkerhetsprinciper.** En vårdslös handling kan orsaka allvarliga personskador inom bråkdelen av en sekund.

ANVÄNDNING OCH SKÖTSEL

- **Använd inte apparaten om strömbrytaren inte kan slås på eller stängas av.** Alla apparater som inte kan kontrolleras med strömbrytaren är farliga och måste repareras.
- **Koppla ur batteripaketet från apparaten innan du utför några justeringar, ändrar tillbehör eller förvarar apparaten.** Dessa förebyggande säkerhetsåtgärder minskar risken för att apparaten startas oavsiktligt.
- **Förvara apparater som går på tomgång utom räckhåll för barn och låt inte personer som är ovana med apparaten eller dessa instruktioner använda apparaten.** Apparater är farliga i händerna på utbildade användare.
- **Underhåll av apparater och tillbehör. Kontrollera efter felinställning eller bindning av rörliga delar, brott på delar och alla andra tillstånd som kan påverka funktionen på apparaten. Om apparaten är skadad, låt den repareras innan den används.** Många olyckor beror på dåligt underhållna apparater.

- **Använd apparaten och tillsatser osv. i enlighet med dessa instruktioner och ta hänsyn till arbetsförhållanden och det arbete som ska utföras.** Om apparaten används för andra arbeten än det är avsett för kan det resultera i farliga situationer.
- **Håll handtagen och greppytorna torra, rena och fria från olja och fett.** Hala handtag och greppytor förhindrar säker hantering och kontroll av verktyget vid oväntade situationer.

⚠ VARNING: För att minska risken för brand eller elektriska stötår får du inte använda fläkten tillsammans med någon fast kontrollenhet för hastigheten.

ANVÄNDNING OCH SKÖTSEL AV BATTERIDRIVET VERKTYG

- **Ladda endast med den laddare som rekommenderas av tillverkaren. En laddare som är lämplig för en typ av batteripaket kan skapa en risk för brand när den används med ett annat batteripaket.**
- **Använd endast apparater med specifikt designade batteripaket. Användning av andra batteripaket kan medföra risk för personskador och eld.**
- **När batteripaketet inte används, håll det borta från metallobjekt som t.ex. pappersgrem, mynt, nycklar, spikar, skruvar och andra små metallobjekt som kan bilda en anslutning från en batterikontakt till den andra.** Kortslutning av batteriets terminaler kan orsaka brännskador eller en brand.
- **Under olämpliga förhållanden kan vätska spruta ut från batteriet. Undvik kontakt. Vid oavsiktlig kontakt, spola med vatten. Om vätskan kommer i kontakt med ögonen, sök också läkarhjälp.** Vätska som sprutar ur batteriet kan orsaka sveda och brännskador.
- **Använd inte ett batteripaket eller apparat som skadats eller modifierats.** Skadade eller modifierade batterier kan leda till oförutsägbart uppträdande som leder till brand, explosion eller risk för personskador.
- **Utsätt inte batteripaketet eller apparaten för eld eller extrema temperaturer.** Exponering av eld eller temperaturer över 130°C kan orsaka explosion.
- **Följ alla laddningsinstruktioner och ladda inte batteripaketet eller apparaten utanför det temperaturområde som anges i instruktionerna.** Felaktig laddning eller vid temperaturer utanför angivet temperaturområde kan skada batteriet och ökar risken för brand.

SERVICE

- **Lämna in din apparat för service hos en kvalificerad servicetekniker som endast använder identiska utbytesdelar.** Det säkerställer att apparatens säkerhet bibehålls.

SE

- **Utför aldrig service på skadade batteripaket.** Service av batteripaket bör endast utföras av tillverkaren eller auktoriserade serviceverkstäder.

SÄKERHETSINSTRUKTIONER FÖR SLADDLÖS LUFTFUKTANDE FLÄKT

- **Låt inte fläkten användas som leksak.** Särskild uppmärksamhet krävs när den används av eller i närheten av barn.
- **Barn kan falla i hinkar och drunkna.** Håll barn borta från hinkar med även en liten mängd vätska.
- **Använd ENDAST rent, kallt vatten.**
- **Använd inte den här fläkten för att spraya bekämpningsmedel, flytande gödningsmedel, kemikalier eller andra vätskor än rent vatten.** Om dessa ämnen sprids kan det resultera i allvarliga personskador för operatören eller andra i närheten.
- **Rikta aldrig dimma eller vatten mot elektriska ledningar eller enheter.**
- **Se till att locket till batterifacket är helt stängt för att förhindra att vatten kommer i kontakt med batteriet eller kommer in i batteriöppningen.**
- **Håll apparaten och dess handtag torrt, rent och fritt från olja och fett. Använd alltid en ren trasa vid rengöring. Använd aldrig bromsvätska, bensin, petroleumbaserade produkter eller starkt lösningsmedel för att rengöra fläkten.** Följ denna regel för att minska risken för tappad kontroll och försämring av plasthöljet.
- **Batterier kan explodera i närvaron av en antändningskälla, t.ex. en liten låga. För att minska risken för allvarliga personskador, använd aldrig en trådlös produkt i närvaron av en öppen eldslåga. Ett exploderande batteri kan slunga iväg skräp och kemikalier.** Om du får det på dig ska du omedelbart skölja med vatten.
- **Spara dessa instruktioner.** Läs igenom dem regelbundet och använd dem för att instruera andra som kan komma att använda denna fläkt. Om du lånar ut denna fläkt verktyg till någon, se även till att låna ut dessa instruktioner för att förhindra att produkten används felaktigt eller orsakar eventuella personskador.
- Var medveten om att hög luftfuktighet kan främja tillväxten av biologiska organismer i miljön.
- **Låt inte området runt fläkten bli fuktigt eller blött.** Om fukt uppstår, skruva ner effekten av luftfuktande fläkten. Om det inte går att sänka volymen på luftfuktande fläktens utmatningsvolym kan du använda luftfuktaren intermittent. Låt inte absorberande material som mattor, gardiner, draperier eller dukar bli fuktiga.

- Lämna aldrig vatten i behållaren när apparaten inte används.
- Töm och rengör fläkten innan den förvaras. Rengör luftfuktaren före nästa användning.

⚠ VARNING: Mikroorganismer som kan finnas i vattnet eller i den miljö där apparaten används eller förvaras kan växa i vattenbehållaren och blåsa ut i luften och orsaka mycket allvarliga hälsorisker om vattnet inte förnyas och tanken inte rengörs ordentligt var tredje dag.

- **Uppladdningsbara batterier ska tas bort från apparaten innan de laddas.**
- **Förbrukade batterier ska tas bort från apparaten och kasseras på ett säkert sätt**
- Om apparaten skall förvaras utan att användas under en lägre period skall batterierna tas bort
- Strömterminalerna från inte kortslutas.

SPARA DESSA INSTRUKTIONER

SPECIFIKATIONER

Spänning	56 V
Fläktbladens diameter	45,7 cm
Inställningar för fläkthastighet	6 (inklusive "Turbo")
Max. Luftvolym	7000 m ³ /h
Max. Lufthastighet	10,3 m/s
Vattenvolym för fuktdimma	I: 4,5 L/h
	II: 11,4 L/h
Rekommenderad förvaringstemperatur	20°C - 70°C
Vikt (utan batteripaket)	10,4 kg

PACKLISTA

ARTIKELNAMN		KVANTITET
Fuktgivande fläkt		1
Hjulmontering	Hjul	2
	Navkapsel	2
	Skruv med bricka	2
Montage övre handtaget	Övre handtag	1
	Skruv med bricka	4
Skiftnyckel		1

SE

Reservmunstycke	1
Bruksanvisning	1

BESKRIVNING

KÄNNA DIN FUKTGIVANDE FLÄKT (Bild A och bild A1)

1. Övre handtag
2. Fläkthus
3. Låsknapp för fläkthus
4. Hjul (x2)
5. Fuktgivande munstycke (x4)
6. Teleskophandtag
7. Batterifack
8. Intagsrör
9. Filter
10. Kontrollgränssnitt
11. Strömknapp
12. Indikator för lufthastighet
13. TURBO-indikator
14. TURBO-knapp
15. Inställningsknapp luftflöde
16. Valknapp för fuktgivande läge
17. Fuktgivande indikatorer

MONTERING

⚠ VARNING: Om någon del är skadad eller saknas skall inte denna produkt användas innan delarna ersatts. Användning av denna produkt om den är skadad eller saknar delar kan resultera i allvarliga personskador.

⚠ VARNING: Försök inte att modifiera denna produkt eller skapa tillbehör som inte rekommenderas för användning med denna fläkt. Alla sådana ändringar eller modifieringar är missbruk och kan resultera i allvarliga situationer som kan leda till allvarliga personskador.

⚠ VARNING: Ta alltid bort batteripaketet från produkten vid montering av delar, justeringar, rengöring eller när produkten inte används. När batteripaketet tas ut förhindrar det oavsiktliga starter som kan orsaka allvarliga personskador.

MONTERING AV HJULEN (bild B)

1. Rikta in hålet på ett av hjulen mot fläktens hjulaxel och montera hjulet på axeln.
2. Trä en av hjulskruvarna genom hjulets hål in i hjulaxeln och dra sedan åt skruven med den medföljande skiftnyckeln.
3. Sätt fast navkapseln på hjulet.

4. Montera det andra hjulet enligt stegen 1 - 3 ovan.

FÄSTA ÖVRE HANDTAGET (BILD C)

1. Rikta de fyra medföljande skruvarna mot hålen i det övre handtaget och hålen i fläkthuset.
2. Sätt in skruvarna och dra åt dem med den medföljande skiftnyckeln.

Bild B och C. Se nedan för beskrivning av delar:

B-1	Hjul (2)	B-3	Skruv med bricka (2)
B-2	Hjulaxel (2)	B-4	Navkapsel (2)
C-1	Övre handtag	C-2	Skruv med bricka(4)
C-3	Skruvhål		

DRIFT

⚠ VARNING: Bli inte vårdslös bara för att du är bekant med denna produkt. Kom ihåg att oaksamhet under en bråkdel av en sekund är tillräcklig för att orsaka allvarliga skador.

⚠ VARNING: Använd inga andra tillsatser eller tillbehör än de som rekommenderas av tillverkaren av denna produkt. Användning av tillbehör eller tillsatser som inte rekommenderas kan resultera i allvarlig personskada.

Inspektera hela produkten innan varje användning om där finns skador, saknade eller lösa delar såsom skruvar, muttrar, bultar, höljen etc. Dra åt alla fästelement och lock och använd inte denna produkt innan alla saknade eller skadade delar bytts ut.

⚠ VARNING: Ta alltid ut batteripaketet från produkten vid montering av delar, justeringar, rengöring eller när den inte ska användas. När batteripaketet tas ut förhindrar det oavsiktliga starter som kan orsaka allvarliga personskador.

TILLÄMPNINGAR

Du kan använda denna produkt för de tillämpningar som listas nedan:

- Allmän ventilation i de flesta hushållstillämpningar
- Utomhuskyllning när den är ansluten till en vattenkälla

JUSTERIGN AV FLÄKTVINKELN (bild D)

1. Ta tag i det övre handtaget för att hålla fast fläkthuset.
2. Vrid läsvedret för fläkthöjlet MOTURS för att lossa den justerbar fläkthuset.

- Luta det justerbara fläkthuset framåt eller bakåt till önskad vinkel. Fläkten kan svänga upp till 90° framåt och 135° bakåt.
- Vrid låsknappen i vinkel för att säkra fläkthuset i önskad vinkel.

FÖR ATT MONTERA/TA BORT BATTERIPAKETET (BILD E)

Använd endast EGO:s batteripaket och laddare som listas i bild A2.

Ladda fullt innan första användning.

Fästa

- Dra i luckan för batterifacket för att öppna den.
- Rikta in batteriets räfflor mot öppningarna i monteringsöppningen och tryck ned batteripaketet tills du hör ett "klick".

Ta bort

- Tryck på batteriets låsknapp och dra ut batteripaketet.
- Tryck på luckan för batterifacket för att stänga den. Se till att den är helt stängd för att förhindra att vatten kommer i kontakt med batteriet eller kommer in i batteriporten.

Bild E. Se nedan för beskrivning av delar:

E-1	Låsknapp för batteri
E-2	Lock till batterifack

FÖR ATT STARTA/STOPPA FUKTGIVANDE FLÄKTEN

MEDELANDE: Den ursprungliga fabriksinställningen för lufthastigheten är nivå 3. Fläkten sparar den senast använda lufthastighetsinställningen och återgår till den vid omstart.

VIKTIGT: Turboinställningen sparas inte.

MEDELANDE: Inställningen för fuktavgivning sparas inte och är som standard avstängd varje gång fläkten slås på.

STRÖMBRYTARE

- Tryck kort på strömbrytaren för att slå på fläkten
- Tryck en kort stund på strömbrytaren igen för att stänga av fläkten.

JUSTERING AV LUFTHASTIGHET

Normal lufthastighet

- Tryck på knappen "+" för att öka lufthastigheten och tryck på knappen "-" för att minska lufthastigheten. Det finns 5 hastighetsnivåer.
- Lufthastighetsindikatorn visar gröna lampor som motsvarar de aktuella hastighetsnivåerna.

TURBO-läge

- Tryck på knappen "TURBO", TURBO-indikatorn lyser grönt och fläkten går över till "TURBO"-läge, dvs. högsta lufthastighet.
- Om du trycker på TURBO-knappen igen när du befinner dig i "TURBO"-läget släcks TURBO-indikatorn och fläkten återgår till den tidigare aktiva lufthastigheten.
- När du trycker på knappen "-" i läget "TURBO" släcks TURBO-indikatorn och fläkten övergår till lufthastighetsnivå 5.

SE

FUNKTION LUFTFUKTNING

ANVÄNDNING AV FLÄKTEN MED VATTENHINK (MEDFÖLJER INTE) (bild F)

⚠ VARNING: Barn kan falla i hinkar och drunkna. Håll barn borta från hinkar som innehåller även en liten mängd vätska.

MEDELANDE: Rengör hinken med tvål och vatten före varje användning.

- Koppla bort batteripaketet.
- Placera hinken på en plan och jämn yta.
- Håll ENDAST rent, kallt vatten i hinken. Överfyll inte.
- Sänk ner filterröden på insugningsröret i vattenhinken.

MEDELANDE: Böj inte insugningsröret och se alltid till att vattnet flyter jämnt genom röret.

- Installera batteripaketet och stäng luckan till batterifacket.
- Tryck på strömbrytaren för att slå på fläkten.
- Tryck på knappen för val av fuktläge för att starta fuktgivningen:
 - Tryck en gång på knappen för val av fuktläge och fuktindikatorn kommer att lysa med två gröna lampor, vilket indikerar att det är "kontinuerligt" fuktläge - fuktgivning hela tiden utan uppehåll.

MEDELANDE: Det kan ta cirka 15 sekunder innan du ser fukten komma ut ur munstyckena första gången. Denna fördröjning beror på den tid det tar för vattnet att rinna från vattenhinken till munstyckena.

- Tryck på knappen för val av fuktläge igen och fuktindikatorn kommer att lysa med ett grönt ljus, vilket indikerar det intermittenta fuktläget - fuktavgivning i 5 sekunder var 10:e sekund.
- När dimman är i intermittent läge trycker du på knappen för val av fuktläge igen så släcks indikatorlamporna för fukten och fukten upphör.

MEDELDELANDE: När fuktningen är klar drar du ut insugningsröret ur vattnet och kör fläkten i fuktläge tills allt vatten försvinner från röret. Detta förhindrar att det kvarvarande vattnet i röret orsakar oväntad fukt när fläkten startas igen.

SE

ANVÄNDNING AV FLÄKTEN UTAN DIMMA

Om så önskas kan den här produkten endast användas som fläkt när den inte är ansluten till en vattenkälla. När insugningsröret inte används ska du alltid placera det i sitt förvaringsutrymme (se avsnittet "FÖRVARING" i den här handboken) för att skydda det från skador och föroreningar.

INTERNT SKYDD

När fuktfunktionen är aktiverad men ingen vattenfukt kommer ut:

- Vattenpumpen fortsätter att köras en kort stund och stannar sedan automatiskt för att skydda den interna elektroniken.
- Beroende på fuktläget kommer fuktindikatorn att visa en eller två fasta gröna lampor under en kort stund och sedan blinka kontinuerligt med gröna lampor för att varna operatören för att:
 - a. Kontrollera att insugningsröret är ordentligt nedsänkt i vatten.
 - b. Kontrollera om munstycket/munstyckena är igensatta och rengör dem enligt kapitlet "UNDERHÅLL AV MUNSTYCKEN".
 - c. Tryck på knappen för val av fuktläge för att återuppta fuktgivning.

UNDERHÅLL

⚠ VARNING: Vid service ska enbart identiska utbyteskomponenter användas. Användning av andra delar kan skapa risker eller orsaka produktskador. För att garantera en säker och pålitlig användning måste alla reparationer utföras av en kvalificerad servicetekniker.

⚠ VARNING: För att undvika allvarliga personskador, ta alltid ut batteripaketet ur produkten vid rengöring eller underhåll.

ALLMÄNT UNDERHÅLL

Använd inte lösningsmedel när du rengör plastdelarna. De flesta plaster är känsliga för skador från olika typer av kommersiella lösningsmedel och kan skadas av dess användning. Använd rena trasor för att ta bort smuts, damm, olja, fett osv.

⚠ VARNING: Låt aldrig bromsvätska, bensen, petroleumbaserade produkter, smörjfett osv. komma i kontakt med plastdelarna. Kemikalier kan skada, försvaga eller förstöra plast, vilket kan resultera i allvarliga personskador.

UNDERHÅLL AV MUNSTYCKET (bild G)

⚠ VARNING: Se till att allt underhåll av fuktmunstycket utförs korrekt för att förhindra vattenläckor. Läckorna kan resultera i en hal yta som skapar risk för halka och fall eller orsaka egendomsskador.

För att rensa munstyckena

1. Stäng av fläkten och ta bort batteripaketet.
2. Ta bort de igensatta mässingsfuktmunstyckena genom att vrida dem i motsatt riktning.
3. Ta isär varje berört munstycke i delar.
4. Spola munstyckena med vatten **för att avlägsna eventuella främmande partiklar** som täpper till eller begränsar munstyckena. **För att avlägsna kalkavlagringar (mineraler)** rengör du munstyckena med vit vinäger eller annat avkalkningsmedel vid behov.
5. Sätt ihop munstyckena igen.

MEDELDELANDE: För att förhindra igensättning ska du se till att munstycket monteras exakt enligt bild G.

6. Sätt tillbaka de rena munstyckena.

FILTERFÖRSÖRJNING (bild H)

Undersök regelbundet filtret i slutet av insugningsröret för att se till att det är i gott skick.

1. Dra av filtret från insugningsröret.
2. Skruva loss filtret i delar och ta ut svampnätet.
3. Skölj svampnätet eller byt ut det vid behov.
4. Montera tillbaka filtret och anslut det till insugningsröret igen.

Bild H. Se nedan för beskrivning av delar:

H-1	Filter	H-3	Svampnät
H-2	Övre del	H-4	Nedre del

UNDERHÅLL AV FLÄKTHUSET (bild I1 och bild I2)

⚠ VARNING: Se till att batteripaketet är borttagna från produkten innan du tar bort skyddet.

1. Lossa och ta bort de sex skruvarna för att delvis lyfta bort det främre gallerskyddet från fläkthuset.

⚠ FÖRSIKTIGHET: För att undvika skador får du inte ta bort det främre gallerskyddet helt utan att koppla bort insugningsröret FÖRST.

2. Tryck ner det svarta gummit i slutet av muttern för att dra ut insugningsröret.
3. Ta bort det främre gallerskyddet helt och hållet.
4. Vrid fläktbladslåset medurs för att frigöra fläktbladet från axeln.
5. Ta bort fläktbladet.
6. Rengör fläktbladet och inredningen i höljet vid behov.
7. Sätt ihop dem i omvänd ordning och kontrollera att:
 - insugningsröret är korrekt anslutet till muttern.
 - insugningsröret är korrekt placerat i springan på gallerskyddet.

Bild I1 och bild I2 se nedan för beskrivning av delar:

I1-1	Främre gallerskydd	I1-4	Svart gummi
I1-2	Skruv (6)	I1-5	Intagsrör
I1-3	Mutter	I2-1	Låshölje
I2-2	Fläktblad		

TRANSPORT

- Fläkten är utrustad med ett övre handtag för att kunna bära fläkten på korta sträckor eller över ojämna ytor/terrängar.
- För långväga transporter kan du använda teleskophandtaget för att rulla fläkten. Använd det övre handtaget för att luta fläkten och dra sedan ut teleskophandtaget tills du hör ett "klick". När det teleskopiska handtaget inte används ska du trycka in det i verktyget (bild J).

FÖRVARING

1. Ta ut batteripaketet.
2. Rengör fläkten noggrant.
3. Töm insugningsröret och filtret.
4. Placera insugningsröret i ett av förvaringslägena på fläktens baksida (bild K1 och bild K2).
5. Förvara fläkten på en torr, välventilerad plats, utom räckhåll för barn. Förvara inte fläkten på eller i anslutning till gödningsmedel, bensin eller andra kemikalier.

SKYDDA MILJÖN



Kasta inte elektrisk utrustning, använt batteri och laddare i hushållssoporna! Ta denna produkt till en auktoriserad återvinnare och gör den tillgänglig för separat insamling. Elektriska verktyg måste returneras till en miljöanpassad återvinningsanläggning.

SE

FELSÖKNING

PROBLEM	ORSAK	LÖSNING
Verktyget fungerar inte.	<ul style="list-style-type: none">■ Låg batterikapacitet.■ Batteripaketet eller fläkten är för varmt.	<ul style="list-style-type: none">■ Ladda batteripaketet.■ Stäng av fläkten och låt fläkten och batteripaketet svalna.
Det finns ingen vattendimma och fuktindikatorn blinkar med två gröna lampor.	<ul style="list-style-type: none">■ Insugningsröret suger inget vatten, vilket aktiverar det interna skyddet för vattenpumpen inuti verktyget.■ Fuktmunstycket/munstyckena blev tilltäppta under drift, vilket aktiverade det interna skyddet för vattenpumpen.	<ul style="list-style-type: none">■ Kontrollera och se till att det finns tillräckligt med vatten i hinken och att insugningsröret är ordentligt nedsänkt i vattnet.■ Rengör munstycket/munstyckena enligt kapitlet "Underhåll av munstycken" och montera dem igen enligt anvisningarna.
Vattenläckage uppstår efter underhåll av fläkthuset.	<ul style="list-style-type: none">■ Muttern som förbinder insugningsröret lossnade oväntat.	<ul style="list-style-type: none">■ Öppna fläkthöjlet enligt kapitlet "UNDERHÅLL AV FLÄKTHUSET". Kontrollera och se till att muttern är helt åtdragen.

SE

GARANTI

EGO GARANTIPOLICY

Besök webbsidan egopowerplus.com för fullständiga villkor för EGO garantipolicy.

LUE KAIKKI OHJEET!



LUE KÄYTTÖOPAS

VAROITUS: Anna asiantuntevan huoltoteknikon tehdä kaikki korjaukset ja osien vaihdot, jotta laite on varmasti turvallinen ja luotettava.

TURVALLISUUSYMBOLIT

Turvallisuussymbolien tarkoituksena on kiinnittää huomiota mahdollisiin vaaroihin. Turvallisuussymbolit ja niiden selitykset on syytä lukea tarkkaan ja ymmärtää perusteellisesti. Varoitusymbolit eivät yksin poista vaaran mahdollisuutta. Niiden antamat ohjeet ja varoitukset eivät korvaa kunnollisia onnettomuuksien ehkäisytoimenpiteitä.

VAROITUS: Lue ja ymmärrä tämän käyttöoppaan kaikki turvallisuusohjeet, mukaan lukien kaikki turvallisuusvaroitusymbolit, kuten "VAARA", "VAROITUS" ja "HUOMIO" ennen laitteen käyttämistä. Alla olevien ohjeiden noudattamatta jättäminen saattaa aiheuttaa sähköiskun, tulipalon ja/tai vakavan henkilövahingon.

	Turvallisuushälytys	Varoimet, jotka liittyvät turvallisuuteesi
	Lue ja ymmärrä käyttöopas	Käyttäjän on luettava ja ymmärrettävä käyttöopas ennen tämän laitteen käyttöä loukkaantumisvaaran vähentämiseksi.
	Sadesää	Älä altista sateelle.
	CE	Tämä tuote vastaa sovellettavia EU-direktiivejä.
	UKCA	Tämä tuote vastaa sovellettavaa UK-lainsäädäntöä.
	WEEE	Vanhoja sähkölaitteita ei saa hävittää kotitalousjätteen mukana. Vie laite valtuutettuun kierrätyslaitokseen.

IPX4	Koteloin-tiluokka	Suojaus vesiroiskeilta
	Tasavirta	Virran tyyppi tai ominaisuus
V	Voltti	Jännite
cm	Senttimetri	Pituus tai koko
m/s	Metriä per sekunti	Nopeus
L/h	Litraa per tunti	Virtausnopeus
°C	Celsius	Lämpötila
kg	Kilogramma	Paino

FI

YLEISET TURVALLISUUSVAROITUKSET

VAROITUS: Tulipalo-, sähköisku- tai loukkaantumisvaaran vähentämiseksi:

- **Tutustu sumuttavaan tuulettimeesi. Lue käyttöohjeet huolellisesti. Opettele tuulettimeen käyttötarkoitukset ja rajoitteet sekä tähän tuulettimeen liittyvät mahdolliset erityiset vaarat.** Tämän ohjeen noudattaminen vähentää sähköiskun, tulipalon tai vakavan henkilövahingon vaaraa.
- Tätä laitetta ei ole tarkoitettu henkilöille (mukaan lukien lapset), joilla on alentunut fyysinen, aistillinen tai henkinen toimintakyky tai joilta puuttuu kokemusta ja tietoa, paitsi jos heidän turvallisuudestaan vastuussa oleva henkilö on neuvonut ja ohjeistanut heitä laitteen käytöstä.
- Lapsia tulee valvoa, jotta he eivät leiki laitteella.

TYÖALUEEN TURVALLISUUS

- **Älä käytä tuuletinta räjähdysriskissä ympäristössä, kuten esimerkiksi syttyvien nesteiden, kaasujen tai pölyjen lähellä.**
- **Älä päästä lapsia tai sivullisia lähelle, kun käytät laitetta.** Häiriötekijät voivat aiheuttaa hallinnan menettämisen.
- **Ole varovainen käyttäessäsi sitä tuulisissa olosuhteissa.** Tuuli voi kuljettaa sumua sähköjohtoihin tai -laitteisiin.
- **Älä altista laitetta sateelle tai kosteille olosuhteille.** Laitteeseen pääsevä vesi lisää sähköiskun vaaraa.

HENKILÖKOHTAINEN TURVALLISUUS

- Ole valpas, tarkkaavainen ja käytä maalaisjärkeä, kun käytät laitetta. Älä käytä laitetta, kun olet väsynyt, järkyttynyt tai kun olet huumeiden, alkoholin tai lääkityksen vaikutuksen alaisena.

Hetkellinenkin huomion herpaantuminen laitetta käytettäessä saattaa aiheuttaa vakavan henkilövahingon.

- Estä vahingossa käynnistyminen. Varmista, että kytkin on off-asennossa, ennen kuin liität akun, nostat laitteen tai kannat sitä. Laitteen kantaminen niin, että sormesi on kytkimellä, tai laitteeseen virran kytkeminen kytkin päällä voi aiheuttaa onnettomuuksia.

- Poista kaikki säätöön käytetyt avaimet tai kiintoavaimet ennen kuin käynnistät laitteen.

Laitteen pyörivään osaan jätetty avain tai kiintoavain saattaa aiheuttaa henkilövahingon.

- Älä kurkottele. Säilytä aina tukeva asento ja hyvä tasapaino. Näin hallitset laitteen parhaalla mahdollisella tavalla odottamattomissa tilanteissa.
- Pukeudu asianmukaisesti. Älä käytä väljiä vaatteita tai koruja. Pidä hiukset ja vaatteet etäällä liikkuvista osista. Väljät vaatteet, korut tai pitkät hiukset voivat takertua liikkuviin osiin.
- Varmista, että kaikki liitännät ovat kiinni ennen laitteen käyttöönottoa.
- Älä anna laitteen tuttuuden toistuvan käytön takia tehdä sinua liian itsevarmaksi, äläkä jätä laitteen turvallisuusohjeita noudattamatta. Huolimaton toiminta voi aiheuttaa vakavan henkilövahingon sekunnin murto-osassa.

KÄYTTÖ JA HOITO

- Älä käytä laitetta, jos sitä ei saa käynnistettyä ja sammutettua kytkimellä. Laitteen, jota ei voida hallita kytkimellä, käyttö on vaarallista ja se on korjattava.
- Irrota akku laitteesta ennen kuin teet mitään säätöjä, vaihdat lisävarusteita tai laitat laitteen varastoon. Nämä ennaltaehkäisevät turvallisuustoimenpiteet vähentävät laitteen vahingossa käynnistymisen riskiä.
- Säilytä käyttämättömänä oleva laite lasten ulottumattomissa, äläkä anna henkilöiden, jotka eivät tunne laitetta tai näitä ohjeita, käyttää laitetta. Laitteet ovat vaarallisia kokemattomien käyttäjien käsissä.
- Pidä laite ja lisävarusteet kunnossa. Tarkista, että liikkuvat osat ovat kunnolla paikallaan, että osat ovat ehjiä, ja että laitteessa ei ole muita ongelmia, jotka saattaisivat vaikuttaa sen toimintaan. Jos laite on vaurioitunut, korjauta se ennen käyttöä.

Monet onnettomuudet johtuvat huonosti huolletuista laitteista.

- Käytä laitetta, lisävarusteita ym. näiden ohjeiden mukaisesti ja niin, että otat huomioon käyttöolosuhteet ja tehtävän työn. Laitteen käyttö muuhun kuin sille suunniteltuun tarkoitukseen saattaa aiheuttaa vaaratilanteen.
- Pidä kahvat ja tartuntapinnat kuivina, puhtaina, öljyttöminä ja rasvattomina. Liukkaat kahvat ja tartuntapinnat eivät mahdollista työkalun turvallista käsittelyä ja hallintaa odottamattomissa tilanteissa.

VAROITUS: Tulipalon tai sähköiskun vaaran vähentämiseksi älä käytä tätä tuuletinta puolijohdenopeudensäätölaitteen kanssa.

AKKUYÖKALUN KÄYTTÖ JA KUNNOSSAPITO

- Lataa vain valmistajan määrittelemällä laturilla. Laturi, joka sopii yhdyntyyppiselle akulle voi aiheuttaa tulipalovaaran, jos sitä käytetään toisenlaisen akun kanssa.
 - Käytä laitteessa vain erityisesti siihen tarkoitettuja akkuja. Muunlaisten akkujen käyttö saattaa aiheuttaa henkilövahingon tai tulipalon vaaran.
 - Kun akku ei ole käytössä, pidä se erillään metalliesineistä, kuten paperiliittimet, kolikot, avaimet, naulat, ruuvit ja muut pienet metalliesineet, jotka voivat yhdistää akun navat toisiinsa. Akun napojen oikosulku voi aiheuttaa palovammoja tai tulipalon.
 - Akusta voi valua nestettä väärästä käytöstä johtuen. Vältä kosketusta nesteeseen. Jos kosket nesteeseen vahingossa, huuhtelee vedellä. Jos nestettä pääsee silmiin, hakeudu lääkärin hoitoon. Akusta valuva neste voi aiheuttaa ärsytystä tai palovammoja.
 - Älä käytä akkua tai työkalua, joka on vaurioitunut tai jota on muutettu. Vaurioituneet tai muutetut akut voivat käyttäytyä arvaamattomasti ja aiheuttaa tulipalon, räjähdysken tai henkilövahingon vaaran.
 - Älä altista akkua tai laitetta tulelle tai äärimmäisille lämpötiloille. Altistaminen yli 130°C:n lämpötilalle voi aiheuttaa räjähdysken.
 - Noudata kaikkia latausohjeita, äläkä lataa akkua tai laitetta lämpötilassa, joka ei ole ohjeissa ilmoitetun lämpötila-alueen sisällä. Virheellinen lataaminen tai lataaminen ilmoitetun lämpötila-alueen ulkopuolella olevassa lämpötilassa voi vaurioittaa akkua ja lisätä palovaaraa.
- ## HUOLTO
- Huollata laitteesi asiantuntevalla korjaajalla, joka käyttää vain identtisiä varaosia. Näin varmistetaan, että laitteen turvallisuus säilyy.

- **Älä koskaan huolla vaurioituneita akkuja.** Akkujen huollon saa tehdä vain valmistaja tai sen valtuuttamat huoltoilikkeet.

AKKUKÄYTTÖISEN SUMUTTAVAN TUULETTIMEN TURVALLISUUSOHJEET

- **Älä salli tuulettimen käyttämistä leikkikaluna.** Ole tarkkaavainen, jos lapset käyttävät laitetta tai laitetta käytetään lasten lähellä.
- **Lapset voivat pudota vesiastioihin ja hukkuu.** Pidä lapset loitolla vesiastioista, joissa on pienikin määrä nestettä.
- **Käytä AINOASTAAN puhdasta, kylmää vettä.**
- **Älä käytä tätä sumuttavaa tuuletinta torjunta-aineiden, nestemäisten lannoitteiden, kemikaalien tai muiden nesteiden kuin puhtaan veden suihkuttamiseen.** Näiden aineiden levitys saattaa aiheuttaa vakavia vammoja tai sairauksia käyttäjälle tai sivullisille.
- **Älä koskaan suuntaa sumua tai vettä kohti sähköjohtoja tai sähkölaitteita.**
- **Varmista, että akkulokeron kansi on täysin kiinni, jotta vesi ei pääse kosketuksiin akun tai akun liitännän kanssa.**
- **Pidä laite ja sen kahva kuivana, puhtaana, öljyttömänä ja rasvattomana.** Käytä aina puhdasta liinaa puhdistukseen. Älä käytä jarrunesteitä, bensiiniä, öljypohjaisia tuotteita tai voimakkaita liuottimia tuulettimen puhdistamisessa. Tämän säännön noudattaminen vähentää hallinnan menetystä ja kuorten muovin rapistumista.
- **Akut saattavat räjähtää, jos läsnä on sytytyslähde, kuten sytytysliekki. Vakavan henkilövahingon välttämiseksi akkukäyttöisiä laitteita ei saa käyttää avotulen lähellä. Räjähtänyt akku saattaa singota irto-osia ja kemikaaleja ympärilleen.** Altistumisen tapahtuessa huuhtelee välittömästi vedellä.
- **Säilytä nämä ohjeet.** Lue ohjeet säännöllisesti ja käytä niitä muiden tuulettimen käyttäjien ohjeistamisessa. Jos lainaat tämän tuulettimen jollekulle muulle, lainaa samalla myös nämä ohjeet laitteen väärinkäytön tai mahdollisen vamman estämiseksi.
- **Huomaa, että korkea kosteustaso voi edistää biologisten organismien kasvua ympäristössä.**
- **Älä anna sumuttavan tuulettimen ympärillä olevan alueen kostua tai kastua.** Jos kosteutta esiintyy, pienennä sumuttavan tuulettimen tehoa. Jos sumuttavan tuulettimen voimakkuutta ei voi pienentää, käytä ilmankostutinta ajoittain. Älä anna imukykyisten materiaalien, kuten mattojen, verhojen, kaihtimien tai pöytäliinojen kostua.

- **Älä koskaan jätä vettä säiliöön, kun laite ei ole käytössä.**
- **Tyhjennä ja puhdista sumuttava tuuletin ennen varastointia.** Puhdista ilmankostutin ennen seuraavaa käyttökertaa.

VAROITUS: Mikro-organismit, joita voi olla vedessä tai ympäristössä, jossa laitetta käytetään tai säilytetään, voivat kasvaa vesisäiliössä ja levitä ilmaan aiheuttaen erittäin vakavia terveyshaittoja, jos vettä ei vaihdeta eikä säiliötä puhdisteta kunnolla 3 päivän välein.

- **Ladattavat akut on poistettava laitteesta ennen lataamista**
- **Tyhjät akut on poistettava laitteesta ja hävitettävä turvallisesti**
- **Akut on poistettava, jos laitetta säilytetään käyttämättömänä pitkän aikaa**
- **Syöttöliittymiä ei saa oikosulkea.**

SÄILYTÄ NÄMÄ OHJEET

TEKNISET TIEDOT

Jännite	56 V
Tuulettimen siiven halkaisija	45,7 cm
Tuulettimen nopeusasetukset	6 (mukaan lukien "Turbo")
Maks. Ilmamäärä	7000 m ³ /h
Maks. Ilman nopeus	10,3 m/s
Sumutusveden määrä	I: 4,5 l/t II: 11,4 l/t
Suosittelu säilytyslämpötilä	-20–70°C
Paino (ilman akkua)	10,4 kg

PAKKAUSLUETTELO

OSAN NIMI		MÄÄRÄ
Sumuttava tuuletin		1
Pyöräkoonpano	Pyörä	2
	Napasuojus	2
	Ruuvi ja aluslevy	2
Yläkahvan kokoonpano	Yläkahva	1
	Ruuvi ja aluslevy	4

Avain	1
Varasuutin	1
Käyttöopas	1

KUVAUS

TUTUSTU SUMUTTAVAAN TUULETTIMEEN (kuva A ja kuva A1)

1. Yläkahva
2. Tuulettimen kotelo
3. Tuulettimen kotelon lukitusnappi
4. Pyörä (x2)
5. Sumutussuutin (x4)
6. Teleskooppinen kahva
7. Akun lokero
8. Imuputki
9. Suodatin
10. Ohjausliitäntä
11. Virtapainike
12. Ilmannonpeuden ilmassin
13. TURBO-merkkivalo
14. TURBO-painike
15. Ilmannonpeuden säätöpainike
16. Sumutustilan valintapainike
17. Sumutuksen ilmassin

KOKOAMINEN

VAROITUS: Jos jokin osa on vahingoittunut tai puuttuu, älä käytä tuotetta ennen kuin osat on vaihdettu. Tuotteen käyttö vioittuneilla tai puuttuvilla osilla voi aiheuttaa vakavan henkilövahingon.

VAROITUS: Älä yritä muokata tätä laitetta tai luoda sille lisävarusteita, joita ei suositella käytettäväksi tämän tuulettimen kanssa. Mikä tahansa tällainen muokkaus tai muutos on vääriinkäyttöä ja saattaa aiheuttaa vaarallisen tilan, joka saattaa johtaa vakavaan henkilövammaan.

VAROITUS: Poista akku laitteesta aina, kun kokoat osia, teet säätöjä tai puhdistat laitetta, tai kun et käytä laitetta. Näin varmistat, ettei laite käynnisty vahingossa ja aiheuta vakavia henkilövahinkoja.

PYÖRIEN KOKOAMINEN (kuva B)

1. Kohdista yhden pyörän reikä tuulettimen pyörän akseliin ja kiinnitä pyörä akseliin.
2. Kierrä yksi pyörän ruuveista pyörän reiän läpi pyörän akseliin ja kiristä ruuvi mukana toimitetulla avaimella.
3. Napsauta napasuojus pyörään.

4. Kokoa toinen pyörä edellä mainittujen vaiheiden 1–3 mukaisesti.

YLÄKAHVAN KIINNITTÄMINEN (kuva C)

1. Kohdista neljä mukana toimitettua ruuvia yläkahvan reikiin ja tuulettimen kotelon reikiin.
2. Aseta ruuvit paikoilleen ja kiristä ne sitten mukana toimitetulla avaimella.

Kuvan B ja kuvan C osien kuvaus alla:

B-1	Pyörä (2)	B-3	Ruuvi ja aluslevy (2)
B-2	Pyörän akseli (2)	B-4	Napasuojus (2)
C-1	Yläkahva	C-2	Ruuvi ja aluslevy (4)
C-3	Ruuvien reikä		

KÄYTTÖ

VAROITUS: Älä anna tämän laitteen tuttuuden tehdä sen käsittelystä huolimattontaa. Muista, että sekunnin sadasosankin huolimattomuus riittää vakavan vamman aiheutumiseen.

VAROITUS: Älä käytä lisälaitteita tai lisävarusteita, jos tämän tuotteen valmistaja ei ole suositellut niitä. Tällaisten lisävarusteiden tai apuvälineiden käyttö saattaa aiheuttaa vakavia henkilövahinkoja.

Ennen jokaista käyttökertaa tarkista laite kokonaisuudessaan vahingoittuneiden, puuttuvien tai löysin osien varalta (esim. Mutterit, pultit, korkit yms.). Kiinnitä kaikki kiinnittimet ja kannet tiukasti, äläkä käytä laitetta ennen kuin kaikki puuttuvat tai vahingoittuneet osat on vaihdettu.

VAROITUS: Poista akku laitteesta aina, kun kokoat osia, teet säätöjä tai puhdistat laitetta tai kun laite on käyttämättömänä. Näin varmistat, ettei laite käynnisty vahingossa ja aiheuta vakavia henkilövahinkoja.

KÄYTTÄMINEN

Tätä laitetta voi käyttää seuraavassa mainittuihin tarkoituksiin:

- Yleinen ilmanvaihto tavallisessa kotitalouskäytössä
- Ulkoilman jäähdytys vesilihteeseen liitettynä

TUULETTIMEN KULMAN SÄÄTÄMINEN (kuva D)

1. Ota kiinni yläkahvasta pitääksesi kiinni tuulettimen kotelosta.

2. Irrota säädettävä tuulettimen kotelo kiertämällä tuulettimen kotelon lukitusnuppia VASTAPÄIVÄÄN.
3. Kallista säädettävä tuulettimen kotelo eteenpäin tai taaksepäin haluamaasi kulmaan. Tuuletin voi kääntyä jopa 90° eteenpäin ja 135° taaksepäin.
4. Käännä lukitusnuppia MYÖTÄPÄIVÄÄN kiinnittäaksesi tuulettimen kotelon haluamaasi kulmaan.

AKUN KIINNITTÄMINEN/IRROTTAMINEN (kuva E)

Käytä vain EGO:n akkuja ja latureita, jotka on lueteltu alla kuvassa A2:

Lataa täyteen ennen ensimmäistä käyttökertaa.

Liittäminen

1. Avaa akkulokeron kansi vetämällä sitä.
2. Aseta akun urat kiinnitysaukkoihin ja paina akkua alaspäin, kunnes kuulet naksahduksen.

Poistaminen

1. Paina akun vapautuspainiketta ja nosta akku ulos.
2. Sulje akkulokeron kansi painamalla sitä. Varmista, että se on täysin suljettu, jotta vesi ei pääse kosketuksiin akun kanssa tai pääse akkuaukkoon.

Kuvan E osien kuvaukset alla

E-1	Akun vapautuspainike
E-2	Akkulokeron kansi

SUMUTTAVAN TUULETTIMEN KÄYNNISTÄMINEN/ PYSÄYTTÄMINEN

HUOMAUTUS: Ilmannoisuuden alkuperäinen tehdasasetus on taso 3. Tuuletin tallentaa viimeksi käytetyn ilmannoisuusasetuksen ja palaa siihen uudelleen käynnistettäessä.

TÄRKEÄÄ: Turboasetusta ei tallenneta.

HUOMAUTUS: Sumutusasetusta ei tallenneta, ja se on oletusarvoisesti pois päältä joka kerta, kun tuuletin kytetään päälle.

VRTAPAINIKE

- Kytke tuuletin PÄÄLLE painamalla virtapainiketta lyhyesti.
- Kytke tuuletin POIS PÄÄLTÄ painamalla virtapainiketta lyhyesti uudelleen.

ILMANNOPEUDEN SÄÄTÄMINEN

Normaali ilmannoisuus

- Paina "+"-painiketta lisätäksesi ilmannoisuutta ja paina "-"-painiketta vähentääksesi ilmannoisuutta. Nopeustasoja on 5.
- Ilmannoisuuden ilmaisain näyttää vihreät valot, jotka vastaavat nykyisiä nopeustasoja.

TURBO-tila

- Paina TURBO-painiketta, jolloin TURBO-ilmaisain syttyy vihreänä ja tuuletin siirtyy "TURBO"-tilaan eli suurimpaan ilmannoisuuteen.
- Kun TURBO-tilassa painat TURBO-painiketta uudelleen, TURBO-merkkivalo sammuu ja tuuletin palaa aiemmin käytössä olleeseen ilmannoisuuteen.
- Kun olet TURBO-tilassa, paina "-"-painiketta, TURBO-ilmaisain sammuu ja tuuletin siirtyy ilmannoisuusololle 5.

FI

SUMUTUSTOIMINTO

TUULETTIMEN KÄYTTÖ VESIASTIAN KANSSA (EI SISÄLLY) (kuva F)

VAROITUS: Lapset voivat pudota vesiastioihin ja hukkuu. Pidä lapset etäällä vesiastioista, joissa on pienikin määrä nestettä.

⚠ HUOMAUTUS: Puhdista vesiastia saippualla ja vedellä ennen jokaista käyttökertaa.

1. Irrota akku.
2. Aseta vesiastia tasaiselle, vaakasuoralle alustalle.
3. Lisää vesiastiaan VAIN puhdasta, kylmää vettä. Älä täytä liikaa.
4. Upota imuputken suodatinpää alas vesiastiaan.

HUOMAUTUS: Älä taivuta imuputkea ja varmista aina, että vesi virtaa putken läpi tasaisesti.

5. Asenna akku ja sulje akkulokeron kansi.
6. Kytke tuuletin päälle painamalla virtapainiketta.
7. Paina sumutustilan valintapainiketta sumutuksen käynnistämiseksi:
 - Paina sumutustilan valintapainiketta kerran, jolloin sumutusilmaisain syttyy kahdella vihreällä valolla, mikä ilmaisee jatkuvan sumutuksen – sumuttaa koko ajan pysähtymättä.

HUOMAUTUS: Saattaa kestää noin 15 sekuntia, ennen kuin näet sumun tulevan ulos sumutussuuttimista ensimmäisen kerran. Tämä viive johtuu siitä, että veden virtaus vesiasiasta suuttimiin kestää jonkin aikaa.

- Paina sumutustilan valintapainiketta uudelleen, jolloin sumutusilmaisin syttyy yhdellä vihreällä valolla, joka ilmaisee jaksoittaista sumutustilaa – sumutus kestää 5 sekuntia 10 sekunnin välein.
- Kun sumutus on jaksoittaisessa tilassa, paina sumutustilan valintapainiketta uudelleen, jolloin sumutuksen merkkivalot sammuvat ja sumutus lakkaa.

HUOMAUTUS: Kun sumutustoiminto on päättynyt, vedä imuputki pois vedestä ja käytä tuuletinta sumutustoiminnolla, kunnes kaikki vesi on poistunut putkesta. Tämä auttaa estämään putkeen jääneen veden aiheuttaman odottamattoman sumun muodostumisen, kun tuuletin käynnistetään uudelleen.

FI

TUULETTIMEN KÄYTTÖ ILMAN SUMUTUSTA

Tätä tuotetta voidaan haluttaessa käyttää vain tuulettimena, jos sitä ei liitetä vesilähteeseen. Kun imuputki ei ole käytössä, aseta se aina säilytystilaansa (katso tämän käyttöoppaan kohta "SÄILYTYS"), jotta se on suojattu vaurioilta ja likaantumiselta.

SISÄINEN SUOJAUS

Kun sumutustoiminto on aktivoitu, mutta vesisumua ei tule ulos:

- Vesipumppu käy hetken aikaa ja pysähtyy sitten automaattisesti sisäisen elektroniikan suojaamiseksi.
- Sumutustilasta riippuen sumutusilmaisin näyttää yhden tai kaksi kiinteää vihreää valoa lyhyen aikaa ja vilkkuu sitten jatkuvasti vihreänä (vihreitä valoja) varoitukseksi käyttäjälle:
 - a. Tarkista, että imuputki on upotettu kunnolla veteen.
 - b. Tarkista, onko sumutussuutin (sumutussuuttimet) tukossa ja puhdista luvun "SUUTTIMEN HUOLTO" mukaisesti.
 - c. Paina sumutustilan valintapainiketta käynnistääksesi sumutuksen uudelleen.

HUOLTAMINEN

VAROITUS: Käytä huollon yhteydessä vain identtisiä varaosia. Muiden osien käyttö saattaa aiheuttaa vaaran

tai laitteen vaurioitumisen. Pätevän huoltoteknikon tulee suorittaa kaikki korjaukset, jotta voidaan taata tuotteen turvallinen ja luotettava käyttö.

VAROITUS: Poista akku aina laitteesta, kun puhdistat sitä tai teet huoltotoimenpiteitä. Näin vältät vakavat henkilövahingot.

YLEINEN KUNNOSSAPITO

Vältä liuotainaineiden käyttöä, kun puhdistat muoviosia. Useimmat muovit ovat herkkiä vaurioitumaan erilaisista kaupallisista liuottimista ja voivat vaurioitua niiden käytöstä. Poista lika, pöly, öljy, rasva ym. puhtaalla liinalla.

VAROITUS: Älä anna jarrunesteiden, bensiinin, ruosteen irrotusaineiden tai muiden öljypohjaisten tuotteiden joutua kosketuksiin muoviosien kanssa. Kemikaalit voivat vaurioittaa, heikentää tai tuhota muovin, mikä voi johtaa vakavaan henkilövahinkoon.

SUUTTIMEN HUOLTO (kuva G)

VAROITUS: Varmista, että kaikki sumutussuuttimien huolto suoritetaan asianmukaisesti vesivuotojen estämiseksi. Vuodot voivat aiheuttaa liukkaan pinnan, joka aiheuttaa liukastumis- ja kaatumisvaaran tai omaisuusvahinkoja.

Suuttimien puhdistaminen

1. Kytke tuuletin pois päältä ja poista akku.
2. Poista tukkeutuneet messinkiset sumutussuuttimet kiertämällä niitä VASTAPÄIVÄÄN.
3. Pura jokainen vaurioitunut suutin osiin.
4. Suuttimia tukkivien tai rajoittavien vieraiden hiukkasten poistamiseksi huuhtele suuttimien osat vedellä. Puhdista suuttimien osat tarvittaessa valkoviinietikalla tai muulla kalkinpoistoaineella **kalkin poistamiseksi**.
5. Kokoa suuttimet uudelleen.

HUOMAUTUS: Tukkeutumisen estämiseksi varmista, että suutin on koottu täsmälleen kuvan G mukaisesti.

6. Kiinnitä puhtaat suuttimet takaisin.

SUODATTIMEN HUOLTO (kuva H)

Tarkasta säännöllisesti, että imuputken päässä oleva suodatin on hyvässä kunnossa.

1. Vedä suodatin irti imuputkesta.
2. Ruuvaa suodatin irti osiin ja ota sieniverkko ulos.

3. Huuhtelee sieniverkko tai vaihda se tarvittaessa.
4. Kokoa suodatin uudelleen ja liitä se takaisin imuputkeen.

Kuvan H osien kuvaukset alla

H-1	Suodatin	H-3	Sieniverkko
H-2	Yläosa	H-4	Alaosa

TUULETTIMEN KOTELON HUOLTO (kuva I1 ja kuva I2)

VAROITUS: Varmista, että akut on irrotettu tuotteesta ennen suojuksen irrottamista.

1. Löysää ja irrota kuusi ruuvia ja nosta etusäleikön suojus OSITTAIN irti tuulettimen kotelosta.

HUOMIO: Vahinkojen välttämiseksi älä irrota etusäleikön suojusta kokonaan irrottamatta imuputkea ENSIN.

2. Paina mutterin päässä olevaa mustaa kumia vetääksesi imuputken ulos.
3. Irrota etusäleikön suojus kokonaan.
4. Kierrä tuulettimen siiven lukitussojuista myötäpäivään, jotta tuulettimen siipi irtoaa akselista.
5. Irrota tuulettimen siipi.
6. Puhdista tuulettimen siipi ja kotelon sisäpuoli tarvittaessa.
7. Kokoa ne uudelleen päinvastaisessa järjestyksessä ja varmista:
 - imuputki on kunnolla kiinni mutterissa.
 - että imuputki on asetettu kunnolla säleikön suojuksessa olevaan aukkoon.

Kuvien I1 ja I2 osien kuvaus alla

I1-1	Etusäleikön suojus	I1-4	Musta kumi
I1-2	Ruuvi (6)	I1-5	Imuputki
I1-3	Mutteri	I2-1	Lukituksen suojus
I2-2	Tuulettimen siipi		

KULJETTAMINEN

- Tuulettimessa on yläkahva, jonka avulla tuuletin voidaan kantaa lyhyitä matkoja tai epätasaisen pinnan/maaston ylittämistä varten.
- Pitkän matkan kuljetusta varten käytä teleskooppikahvaa tuulettimen rullaamiseen.

Kallista tuuletinta yläkahvalla ja vedä sitten teleskooppikahvaa ulos, kunnes kuulet "naksahduksen". Kun teleskooppikahvaa ei käytetä, työnnä se työkaluun (kuva J).

SÄILYTYS

1. Poista akku.
2. Puhdista tuuletin perusteellisesti.
3. Tyhjennä imuputki ja suodatin.
4. Aseta imuputki jompaankumpaan tuulettimen takaosassa olevaan säilytystilaan (kuva K1 ja kuva K2).
5. Säilytä tuuletin kuivassa, hyvin ilmastoidussa paikassa poissa lasten ulottuvilta. Älä säilytä tuuletinta lannoitteiden, bensiinin tai muiden kemikaalien päällä tai vieressä.

YMPÄRISTÖNSUOJELU



Älä hävitä sähkölaitteita, akkulaturia tai akkuja/ladattavia paristoja kotitalousjätteen seassa! Vie tämä tuote hyväksytyyn kierrätyspaikkaan tai anna se erilliseen keräilyyn. Sähkötyökalut tulee palauttaa asianmukaiseen ympäristöstavalliseen kierrätyslaitokseen.



VIANMÄÄRITYS

ONGELMA	SYY	RATKAISU
Työkalu ei toimi.	<ul style="list-style-type: none">■ Akun kapasiteetti vähissä.■ Akku tai tuuletin on liian kuuma.	<ul style="list-style-type: none">■ Lataa akku.■ Sammuta tuuletin ja anna tuulettimen ja akun jäähtyä.
Se ei sumuta vettä ja sumutuksen ilmaisimessa vilkkuu kaksi vihreää valoa.	<ul style="list-style-type: none">■ Imuputki ei ime vettä, mikä aktivoi työkalun sisällä olevan vesipumpun sisäisen suojauksen.■ Sumutussuutin tukkeutui käytön aikana, jolloin vesipumpun sisäinen suojaus aktivoitui.	<ul style="list-style-type: none">■ Tarkista ja varmista, että vesiasiassa on riittävästi vettä ja että imuputki on upotettu kunnolla veteen.■ Puhdista suutin (suuttimet) luvun "SUUTTIMEN HUOLTO" mukaisesti ja asenna ne uudelleen ohjeiden mukaisesti.
Vesivuoto tapahtunut tuulettimen kotelon huollon jälkeen.	<ul style="list-style-type: none">■ Imuputken liitosmutteri löystyi yllättäen.	<ul style="list-style-type: none">■ Avaa tuulettimen kotelo luvun "TUULETTIMEN KOTELON HUOLTO" mukaisesti. Tarkista ja varmista, että mutteri on kunnolla kiristetty.

FI

TAKUU

EGON TAKUUEHDOT

Verkkosivustolta egopowerplus.com löydät EGO:n takuukäytännön täydelliset ehdot.

90

56 VOLTIN LITIUMIONIAKKUKÄYTTÖINEN SUMUTTAVA TUULETIN — FN1800E

LES ALLE INSTRUKSJONER!



LES BRUKERHÅNDBOKEN

⚠ ADVARSEL: For å ivareta sikkerheten og påliteligheten må alle reparasjoner og utskiftinger utføres av en kvalifisert servicetekniker.

SIKKERHETSSYMBOLER

Hensikten med sikkerhetssymboler er å tiltrekke deg oppmerksomheten mot mulige farer. Sikkerhetssymbolene og forklaringene med dem fortjener nøye oppmerksomhet og forståelse. Symbolvarslene eliminerer ikke i seg selv noen fare. Instruksjonene og advarene de gir, erstatter ikke riktige tiltak for å forhindre ulykker.

⚠ ADVARSEL: Sørg for at du har lest og forstått alle sikkerhetsanvisningene i denne bruksanvisningen, inkludert alle varselssymboler som «FARE», «ADVARSEL» og «FORSIKTIG» før du bruker dette verktøyet. Hvis du ikke følger alle instruksjonene nedenfor, kan det føre til elektrisk støt, brann og/eller alvorlig personskade.

	Sikkerhetsvarsel	Forholdsregler for å ivareta din sikkerhet
	Les og forstå brukerhåndboken	For at risikoen for personskader skal unngås må brukeren lese og forstå bruksanvisningen før produktet tas i bruk.
	Regnforhold	Må ikke utsettes for regn.
	CE	Dette produktet er i samsvar med gjeldende EF-direktiver.
	UKCA	Dette produktet er i samsvar med gjeldende britisk lovgivning.
	WEEE Elektrisk og elektronisk avfall	Elektriske avfallsprodukter skal ikke kastes sammen med husholdningsavfall. Ta med til en autorisert resirkulator.

IPX4	Ingress beskyttelsesgrad	Beskyttelse mot vannsprut
	Likestrøm	Type eller en karakteristisk av strømtipe
V	Volt	Spennning
cm	Centimeter	Lengde eller størrelse
m/s	Meter per sekund	Hastighet
L/t	Liter per time	Strømningshastighet
°C	Celsius	Temperatur
kg	Kilogram	Vekt

NO

GENERELLE SIKKERHETSADVARSLER

⚠ ADVARSEL: For å redusere risikoen for brann, elektrisk støt eller personskade:

- **Kjenn fuktviften din. Les bruksanvisningen nøye. Lær viftens applikasjoner og begrensninger samt de spesifikke potensielle farene knyttet til denne viften.** Å følge denne regelen vil redusere risikoen for elektrisk støt, brann eller alvorlig skade.
- Dette apparatet er ikke ment for bruk av personer (inkludert barn) med reduserte fysiske, sensoriske eller mentale evner, eller med manglende erfaring og kunnskap, med mindre de har fått tilsyn eller instruksjoner om bruken av apparatet av en person som er ansvarlig for deres sikkerhet.
- Barn må holdes under oppsyn så de ikke leker med apparatet.

SIKKERHET I ARBEIDSRÅDET

- **Ikke bruk viften i eksplosive atmosfærer, for eksempel i nærvær av brennbare væsker, gasser eller støv.**
- **Hold barn og tilskuere unna mens du bruker et apparat.** Distraksjoner kan føre til at du mister kontrollen.
- **Vær forsiktig ved bruk i vindfulle forhold.** Vind kan føre tåke inn i elektriske ledninger eller enheter.
- **Ikke utsett apparatet for regn eller våte forhold.** Vann som kommer inn i et apparat vil øke risikoen for elektrisk støt.

PERSONLIG SIKKERHET

- **Vær på vakt, se hva du gjør og bruk sunn fornuft når du bruker apparatet. Ikke bruk apparatet mens du er trøtt, opprørt eller påvirket av narkotika, alkohol eller medisiner.** Et øyeblikks uoppmerksomhet mens du bruker apparatet kan føre til alvorlig personskade.
- **Forhindre utilsiktet start. Sørg for at bryteren er i av-posisjon før du kobler til batteripakken, tar opp eller bærer apparatet.** Å bære apparatet med fingeren på bryteren eller strømførende apparat som har bryteren på, inviterer til ulykker.
- **Fjern eventuell justeringsnøkkel eller skiftenøkkel før du slår på apparatet.** En skiftenøkkel eller en nøkkel som er festet til en roterende del av apparatet kan føre til personskade.
- **Ikke strekk deg over rekkevidde. Hold riktig fotfeste og balanse til enhver tid.** Dette gir bedre kontroll over apparatet i uventede situasjoner.
- **Kle deg riktig. Ikke bruk løstsittende klær eller smykker. Hold hår og klær på avstand fra bevegelige deler.** Løse klær, smykker eller langt hår kan sette seg fast i bevegelige deler.
- **Kontroller at alle tilkoblinger er sikre før du bruker apparatet.**
- **Ikke la kjennskap oppnådd ved hyppig bruk av apparater tillate deg å bli selvtilfreds og ignorere apparatets sikkerhetsprinsipper.** En uforsiktig handling kan forårsake alvorlig skade i løpet av en brøkdal av et sekund.

BRUK OG STELL

- **Ikke bruk apparatet hvis bryteren ikke slår det av og på.** Alle apparater som ikke kan kontrolleres med bryteren er farlige og må repareres.
- **Koble batteripakken fra apparatet før du foretar justeringer, bytter tilbehør eller oppbevarer apparatet.** Slike forebyggende og trygge tiltak reduserer risikoen for å starte apparatet ved et uhell.
- **Oppbevar inaktivt apparat utilgjengelig for barn og la ikke personer som ikke er kjent med apparatet eller disse instruksjonene bruke apparatet.** Apparater er farlige i hendene på utrente brukere.
- **Vedlikehold apparat og tilbehør. Sjekk for feiljustering eller binding av bevegelige deler, brudd på deler og andre forhold som kan påvirke apparatets drift. Hvis det er skadet, få apparatet reparert før bruk.** Mange ulykker er forårsaket av dårlig vedlikeholdt apparat.
- **Bruk apparatet og tilbehør etc. i samsvar med disse instruksjonene, og ta hensyn til arbeidsforholdene og arbeidet som skal utføres.**

Bruk av apparatet til andre operasjoner enn det som er beregnet, kan føre til en farlig situasjon.

- **Hold håndtakene og gripeflatene tørre, rene og fri for olje og fett.** Glatte håndtak og gripeflater vil gjøre det vanskelig å kontrollere verktøyet og håndtere det på en sikker måte i uventede situasjoner.

⚠ ADVARSEL: For å redusere risikoen for brann eller elektrisk støt, ikke bruk denne viften med en faststoff hastighetskontrollenhet.

BRUK OG VEDLIKEHOLD AV BATTERIVERKTØY

- **Lades bare med ladere som er spesifisert av produsenten. En lader som passer for én type batteripakke, kan gi brannfare dersom den brukes med andre batteripakker.**
- **Bruk kun apparatet med spesifikt utpekte batteripakker. Bruk av andre batteripakker kan skape risiko for skader og brann.**
- **Når batteriet ikke er i bruk skal det holdes unna andre metallgjenstander som binders, mynter, nøkler, spikere, skruer eller andre små metallgjenstander som kan lage forbindelse fra én terminal til en annen.** Kortslutning av batteripolene kan forårsake brannskader eller brann.
- **Under farlige forhold kan væske komme ut av batteriet. Unngå kontakt med denne. Hvis kontakt oppstår ved et uhell, skyll med vann. Får du væske i øynene, skal det i tillegg søkes medisinsk hjelp.** Væske som blir slyngnet ut av batteriet, kan forårsake irritasjon eller brannskader.
- **Ikke bruk en batteripakke eller et apparat som er skadet eller modifisert.** Skadde eller modifiserte batterier kan oppføre seg uforutsigbart og medføre brann, eksplosjon eller risiko for personskade.
- **Ikke utsett en batteripakke eller et apparat for brann eller for høy temperatur.** Eksponering for ild eller temperaturer over 130°C kan forårsake eksplosjon.
- **Følg alle ladeinstruksjoner og ikke lad batteripakken eller apparatet utenfor temperaturområdet spesifisert i instruksjonene.** Feil lading eller ved temperaturer utenfor spesifisert område kan skade batteriet og øke risikoen for brann.

SERVICE

- **Få apparatet ditt til service av en kvalifisert reparatør som kun bruker identiske reservedeler.** Dette vil sikre at sikkerheten til apparatet opprettholdes.
- **Batteripakker som er skadet, må aldri brukes.** Service på batteripakker må bare utføres av produsenten eller autoriserte tjenesteleverandører.

SIKKERHETSINSTRUKSJONER FOR TRÅDLØS MISTINGVIFTE

- **Ikke la viften brukes som leketøy.** Nøye oppmerksomhet er nødvendig når den brukes av eller i nærheten av barn.
- **Barn kan falle i bøtter og drukne.** Hold barn unna bøtter med selv en liten mengde væske.
- **Bruk KUN rent, kaldt vann.**
- **Ikke bruk denne duggeviften til å sprøyte sprøytemidler, flytende gjødsel, kjemikalier eller andre væsker enn rent vann.** Spraying av disse stoffene kan føre til alvorlig skade eller sykdom hos operatøren eller tilskuere.
- **Retts aldri tåke eller vann mot elektriske ledninger eller enheter.**
- **Sørg for at batteridekselet er helt lukket for å forhindre at vann kommer i kontakt med batteriet eller kommer inn i batteriporten.**
- **Hold apparatet og håndtaket tørt, rent og fritt for olje og fett. Bruk alltid en ren klut til rengjøringen. Bruk aldri bremsevæsker, bensin, petroleumsbaserte produkter eller sterke løsemidler for å rengjøre viften.** Hvis man følger denne regelen, vil det redusere faren for å miste kontrollen, og nedbryting av plastdeler i huset.
- **Batterier kan eksplodere hvis de er nær tennkilder, for eksempel en pilotflamme. For å redusere risikoen for alvorlig personskaade, skal trådløse produkter ikke brukes i nærheten av åpen flamme. Et eksplodert batteri kan kaste ut rester og kjemikalier.** Hvis man blir eksponert for dette, skyll straks med vann.
- **Ta vare på disse instruksjonene.** Se dem ofte og bruk dem til å instruere andre som kan bruke denne viften. Hvis du låner denne viften til noen andre, lån også disse instruksjonene til dem for å forhindre misbruk av produktet og mulig skade.
- Vær oppmerksom på at høye fuktighetsnivåer kan oppmuntre til vekst av biologiske organismer i miljøet.
- Ikke la området rundt duggeviften bli fuktig eller våt. Hvis det oppstår fuktighet, skru ned utgangen fra duggeviften. Hvis duggeviftevolumet ikke kan skrues ned, bruk luftfukteren av og til. Ikke la absorberende materialer, som tepper, gardiner, gardiner eller duker, bli fuktige.
- La aldri vann stå i beholderen når apparatet ikke er i bruk.
- Tøm og rengjør duggeviften før oppbevaring. Rengjør luftfukteren før neste bruk.

⚠ ADVARSEL: Mikroorganismer som kan være tilstede i vannet eller i miljøet der apparatet brukes eller

lagres, kan vokse i vannreservoaret og blåses i luften og forårsake svært alvorlig helseisiko når vannet ikke fornyes og tanken ikke rengjøres skikkelig hver 3. dag.

- Oppladbare batterier må tas ut av apparatet før de lades
- Utbrukne batterier skal fjernes fra apparatet og kastes på en sikker måte
- Hvis apparatet skal oppbevares ubrukt over lengre tid, bør batteriene tas ut
- Tilførselsklemmene skal ikke kortsluttes.

TA VARE PÅ DISSE INSTRUKSJONENE

SPESIFIKASJONER

Spenning	56 V
Viftebladdiameter	45,7 cm
Innstillinger for viftehastighet	6 (inkludert "Turbo")
Maks. Luftvolum	7000 m³/t
Maks. Lufthastighet	10,3 m/s
Volum for fukt vann	I: 4,5 l/t
	II: 11,4 L/h
Anbefalt lagringstemperatur	-20°C ~ 70°C
Vekt (uten batteripakke)	10,4 kg

NO

PAKKELISTE

DELNAVN		ANTALL
Tåkevifte		1
Hjulmontering	Hjul	2
	Navkapsel	2
	Skru med skive	2
Toppåhandtaksmontering	Toppåhåndtak	1
	Skru med skive	4
Skiftenøkkel		1
Reservemunnstykke		1
Brukerhåndbok		1

BESKRIVELSE

KJENN DIN MISTING-VIFTE (Fig. A & Fig. A1)

1. Toppåndtak
2. Viftekapsling
3. Låseknapp for viftekabinett
4. Hjul (x2)
5. Duggdyse (x4)
6. Teleskophåndtak
7. Batterirom
8. Inntaksrør
9. Filter
10. Kontrollgrensesnitt
11. På-knapp
12. Lufthastighetsindikator
13. TURBO-indikator
14. TURBO-knapp
15. Justeringsknapp for lufthastighet
16. Duggmodusvalgknapp
17. Misting Indikator

NO

MONTERING

⚠ ADVARSEL: Hvis noen av delene er skadet eller mangler, må du ikke bruke dette produktet før delene er byttet. Bruk av dette produktet dersom deler er skadet eller mangler, kan føre til alvorlige personskader.

⚠ ADVARSEL: Ikke forsøk å modifisere dette produktet eller lage tilbehør som ikke er anbefalt for bruk med denne viften. Enhver endring eller endring er misbruk og kan føre til en farlig tilstand som kan føre til alvorlig personskade.

⚠ ADVARSEL: Batteripakken skal alltid tas ut når du monterer deler, gjør justeringer, rengjør produktet, eller når produktet ikke er i bruk. Fjerning av batteripakken vil hindre utilsiktet start, som igjen kan føre til alvorlig personskade.

MONTERING AV HJULENE (Fig. B)

1. Rett inn hullet på et av hjulene med hjulakselen til viften, og monter hjulet på akselen.
2. Skru en av hjulskruene gjennom hullet på hjulet inn i hjulakselen, og stram deretter skruen med den medfølgende skiftenøkkelen.
3. Fest navdekslet på hjulet.
4. Sett sammen det andre hjulet ved å følge trinn 1 - 3 ovenfor.

FESTE DET ØVERSTE HÅNDTAKET (Fig. C)

1. Juster fire medfølgende skruer med hullene i det øverste håndtaket og hullene i viftekabinettet.
2. Sett inn skruene og stram dem deretter med den medfølgende skiftenøkkelen.

Fig. B og Fig. C delerbeskrivelse se nedenfor:

B-1	Hjul (2)	B-3	Skrue med skive (2)
B-2	Hjulaksel (2)	B-4	Navkapsel (2)
C-1	Øvre håndtak	C-2	Skrue med skive (4)
C-3	Skruehull		

OPERASJON

⚠ ADVARSEL: Ikke føl deg så trygg med dette verktøyet at du blir skjodesløs. Husk at et uforsiktig tiendedel av et sekund er nok til å forårsake alvorlige skader.

⚠ ADVARSEL: Ikke bruk tilbehør eller deler som ikke er anbefalt av produsenten av produktet. Bruk av tilbehør eller deler som ikke anbefales, kan medføre alvorlige personskader.

Før hver bruk skal hele produktet for inspiseres for skader, mangler eller løse deler, for eksempel skruer, muttere, bolter, heter, osv. Stram alle festemidler og hetter godt og ikke bruk dette produktet før alle manglende eller skadede deler er skiftet ut.

⚠ ADVARSEL: Fjern alltid batteripakken fra produktet når du setter sammen deler, gjør justeringer, rengjør eller når det ikke er i bruk. Fjerning av batteripakken vil hindre utilsiktet start, som igjen kan føre til alvorlig personskade.

APPLIKASJONER

Du kan bruke dette produktet til formålene som er listet opp under:

- Generell ventilasjon i de fleste husholdningsapplikasjoner
- Utendørskjøling mens den er koblet til en vannkilde

JUSTERE VIFTEVINKELN (Fig. D)

1. Ta tak i det øverste håndtaket for å holde viftekabinettet.
2. Drei viftekabinettets låseknapp MOT URVISEN for å løsne det justerbare viftekabinettet.
3. Vipp det justerbare viftekabinettet forover eller bakover til ønsket vinkel. Viften kan svinge opptil 90° frem til 135° bakover.

4. Drei låseknappen MED URVISEN for å sikre vifte-kabinettet i ønsket vinkel.

FOR Å FESTE/FØRE BATTERIPAKKEN (Fig. E)

Bruk bare med EGOs batteripakker og ladere oppført i fig. A2.

Lad helt opp før første gangs bruk.

Å feste på

1. Trekk i batteridekselet for å åpne det.
2. Juster batteririllene sammen med monteringssporene, og trykk batteripakken ned til du hører et "klikk".

Slik tar du den av

1. Trykk inn batteriutløserknappen og løft batteripakken ut.
2. Skyv batteridekselet for å lukke det. Sørg for at den er helt lukket for å forhindre at vann kommer i kontakt med batteriet eller kommer inn i batteriporten.

Fig. E deler beskrivelse se nedenfor

E-1	Batteriutløserknapp
E-2	Deksel til batterirom

FOR Å STARTE/STOPPE MISTING-VIFTEN

MERKNAD: Den opprinnelige fabrikkinnstillingen for lufthastigheten er nivå 3. Viften lagrer den sist brukte lufthastighetsinnstillingen og går tilbake til den ved omstart.

VIKTIG: Turbo-innstillingen vil ikke bli lagret.

MERKNAD: Tåkeinnstillingen vil ikke bli lagret, og vil som standard være av hver gang viften slås på.

PÅ-KNAPP

- Trykk kort på strømknappen for å slå PÅ viften.
- Trykk kort på strømknappen igjen for å slå av viften.

JUSTERING AV LUFTHASTIGHET

Normal lufthastighet

- Trykk på "+"-knappen for å akselerere lufthastigheten og trykk på "-"-knappen for å redusere lufthastigheten. Det er 5 hastighetsnivåer.
- Lufthastighetsindikatoren viser grønne lys som tilsvarer gjeldende hastighetsnivåer.

TURBO-modus

- Trykk på "TURBO"-knappen, TURBO-indikatoren vil lyse grønt og viften vil skifte til "TURBO"-modus, det vil si den høyeste lufthastigheten.
- Når du er i "TURBO"-modus, trykk på "TURBO"-knappen igjen, TURBO-indikatoren vil slå seg av og viften vil gjenoppta den tidligere aktive lufthastigheten.
- Når du er i "TURBO"-modus, trykker du på "-"-knappen, TURBO-indikatoren vil slå seg av og viften skifter til lufthastighetsnivå 5.

MISTING FUNKSJON

BRUK AV VIFTEN MED EN VANNBØNN (IKKE INKLUDERT) (Fig. F)

ADVARSEL: Barn kan falle i bøtter og drukne. Hold barn unna bøtter som inneholder selv en liten mengde væske.

MERKNAD: Rengjør bøtten med såpe og vann før hver bruk.

1. Koble fra batteripakken.
2. Plasser bøtta på en flat, jevn overflate.
3. Tilsett KUN rent, kaldt vann i bøtta. Ikke overfyll.
4. Senk filterenden av inntaksrøret ned i vannbøtta.

MERKNAD: Ikke bøy inntaksrøret, og sørg alltid for at vannet renner jevnt gjennom røret.

5. Sett inn batteripakken og lukk batteridekselet.
6. Trykk på strømknappen for å slå PÅ viften.
7. Trykk på valgknappen for duggmodus for å starte dugging:

- Trykk på valgknappen for tåkemodus én gang, og tåkeindikatoren vil lyse opp to grønne lys som indikerer den "kontinuerlige" tåkemodusen - dugging hele tiden uten å stoppe.

MERKNAD: Det kan ta rundt 15 sekunder før du faktisk ser tåken komme ut av duggdysene første gang. Denne forsinkelsen skyldes tiden det tar før vannet strømmer fra vannbøtta til dysene.

- Trykk på valgknappen for tåkemodus igjen, og tåkeindikatoren vil lyse opp ett grønt lys som indikerer den "intermitterende" tåkemodusen - dugging i 5 sekunder hver 10.
- Når duggingen er i intermitterende modus, trykker du på valgknappen for duggmodus igjen, og duggindikatorlysene vil slå seg av og duggingen stopper.

NO

MERKNAD: Når tåkeoperasjonen er ferdig, trekk inntaksrøret ut av vannet og kjør viften i tåkemodus til alt vannet forsvinner fra røret. Dette bidrar til å forhindre at restvannet i røret forårsaker uventet dugg når viften startes igjen.

BRUK AV VIFTEREN UTEN TÅG

Om ønskelig kan dette produktet kun brukes som vifte, når det ikke er koblet til en vannkilde. Når den ikke er i bruk, plasser alltid inntaksslengen i oppbevaringsområdet (se avsnittet "LAGRING" i denne håndboken) for å beskytte det mot skade og forurensning.

INNVENDIG BESKYTTELSE

Når tåkefunksjonen er aktivert, men ingen vannåke kommer ut:

- Vannpumpen fortsetter å gå en kort stund, og stopper deretter automatisk for å beskytte intern elektronikk.
- Avhengig av tåkemodus vil tåkeindikatoren vise ett eller to faste grønne lys for en kort stund, og deretter blinke grønt lys kontinuerlig som et varsel for operatøren om å:
 - a. Sjekk om inntaksrøret er skikkelig nedsenket i vann.
 - b. Sjekk om duggdysen(e) er tilstoppet, og rengjør i henhold til kapittelet "DYSEVEDLIKEHOLD".
 - c. Trykk på knappen for valg av tåkemodus for å starte tåking på nytt.

VEDLIKEHOLD

⚠ ADVARSEL: Når verktøyet trenger service, må bare identiske reservedeler benyttes. Bruk av andre deler kan skape fare eller forårsake produktskade. For å sikre trygg og pålitelig bruk må alle reparasjoner utføres av en kvalifisert fagperson.

⚠ ADVARSEL: For å unngå alvorlige personskader skal batteripakken alltid tas ut av produktet når du utfører rengjøring eller vedlikehold.

GENERELT VEDLIKEHOLD

Unngå bruk av løsemidler når plastdeler skal rengjøres. De fleste plasttyper kan ta skade av ulike typer løsemidler som er i salg, og kan dermed bli ødelagt. Bruk rene kluter til å fjerne smuss, støv, olje, fett osv.

⚠ ADVARSEL: Bremsevæske, bensin, petroleumsbaserte produkter, rustoppløsende olje osv. må ikke under noen omstendighet komme i kontakt med

plastdeler. Kjemikalier kan skade, svekke eller ødelegge plasten, noe som igjen kan medføre alvorlig personskade.

VEDLIKEHOLD AV DYSE (Fig. G)

⚠ ADVARSEL: Sørg for at alt vedlikehold av duggdysen utføres riktig for å forhindre vannlekkasjer. Lekkasje kan føre til at en glatt overflate skaper fare for skli og fall eller forårsake skade på eiendom.

For å tømme dysene

1. Slå av viften og fjern batteripakken.
2. Fjern de tilstoppede messingtåkedysene ved å rotere dem i retning mot klokken.
3. Demonter hver berørte dyse i deler.
4. **For å fjerne fremmedlegemer** som tetter til eller begrenser dysene, skylldysedelene med vann. **For å fjerne kalkavleiringer (mineraler)**, rengjør dysedelene med hvit eddik eller annet avkalkingsmiddel etter behov.
5. Sett sammen dysene igjen.

MERKNAD: For å forhindre tilstopping, sørg for at munnstykket er montert nøyaktig som vist i Fig. G.

6. Sett på igjen de rene dysene.

FILTERVEDLIKEHOLD (Fig. H)

Undersøk med jevne mellomrom filteret på enden av inntaksrøret for å sikre at det er i god stand.

1. Trekk filteret av inntaksrøret.
2. Skru løs filteret i deler og ta ut svampnettet.
3. Skyll svampnettet eller bytt det ut om nødvendig.
4. Sett sammen filteret igjen og koble det til inntaksrøret.

Fig. H delebeskrivelse se nedenfor

H-1	Filter	H-3	Svamp Mesh
H-2	Øvre del	H-4	Nedre del

VEDLIKEHOLD AV VIFTEKASSE (Fig. I1 & Fig. I2)

⚠ ADVARSEL: Sørg for at batteripakken er fjernet fra produktet før du fjerner beskyttelsen.

1. Løsne og fjern de seks skruene for å DELVIS løfte den fremre grillbeskyttelsen av vifte kabinetet.

OBS: For å unngå skade, må du ikke fjerne frontgrillbeskyttelsen helt uten å koble fra inntaksrøret FØRST.

2. Trykk ned den svarte gummien på enden av mutteren for å trekke ut inntaksrøret.
3. Fjern den fremre grillbeskyttelsen helt.
4. Drei viftebladlåsdekselet med klokken for å frigjøre viftebladet fra akselen.
5. Fjern viftebladet.
6. Rengjør viftebladet og innsiden av kabinettet etter behov.
7. Sett dem sammen igjen i omvendt rekkefølge, og sørg for:
 - inntaksrøret er riktig koblet til mutteren.
 - inntaksrøret er plassert riktig inn i sporet på grillbeskyttelsen.

Fig. I1 og I2 deler beskrivelse se nedenfor

I1-1	Front Grill Guard	I1-4	Svart gummi
I1-2	Skrue (6)	I1-5	Inntaksrør
I1-3	Nøtt	I2-1	Lås deksel
I2-2	Vifteblad		

TRANSPORTER

- Viften er utstyrt med topphåndtak for å bære viften for korte turer eller kryssing av ulendt underlag/terreng.
- For langtransport, bruk teleskophåndtaket til å rulle viften. Bruk det øverste håndtaket til å vippe viften og trekk ut teleskophåndtaket til du hører et "klikk". Når teleskophåndtaket ikke brukes, skyv det inn i verktøyet (fig. J).

OPPBEVARING

1. Ta ut batteripakken.
2. Rengjør viften grundig.
3. Tøm inntaksrøret og filteret.
4. Plasser inntaksrøret i en av oppbevaringsposisjonene på baksiden av viften (fig. K1 og fig. K2).
5. Oppbevar viften på et tørt, godt ventilert sted, utilgjengelig for barn. Ikke oppbevar viften på eller ved siden av gjødsel, bensin eller andre kjemikalier.

BESKYTTER MILJØET



Elektrisk utstyr, brukte batterier og batteriladere må ikke kastes i husholdningsavfallet! Ta med dette produktet til autorisert gjenvinning, og gjør det tilgjengelig for separat innsamling. Elektriske verktøy må returneres til et egnet resirkuleringsanlegg.

NO

FEILSØKING

PROBLEM	ÅRSAKEN	LØSNING
Verktøyet fungerer ikke.	<ul style="list-style-type: none">■ Lav batteripakkekapasitet.■ Batteripakken eller viften er for varm.	<ul style="list-style-type: none">■ Lad batteripakken.■ Slå av viften og la viften og batteripakken avkjøles.
Det er ingen vannudging og duggindikatoren blinker to grønne lys.	<ul style="list-style-type: none">■ Inntaksrøret suger ikke vann, og aktiverer intern beskyttelse for vannpumpen inne i verktøyet.■ Tåkedysen(e) ble tilstoppet under drift, og aktiverte den interne beskyttelsen for vannpumpen.	<ul style="list-style-type: none">■ Kontroller og sørg for at det er nok vann i bøtta og at inntaksrøret er skikkelig nedsenket i vannet.■ Rengjør dysen(e) i henhold til kapittelet "DYSEVEDLIKEHOLD" og sett dem sammen igjen som anvist.
Vannlekkasje skjer etter vedlikehold av viftekapslingen.	<ul style="list-style-type: none">■ Mutteren som er koblet til inntaksrøret løsnet uventet.	<ul style="list-style-type: none">■ Åpne viftekabinettet i henhold til kapittelet «VEDLIKEHOLD AV VIFTESKAP». Inspiser og sørg for at mutteren er helt tiltrukket.

NO

GARANTI

EGO GARANTIPOLITIKK

Besøk nettstedet egopowerplus.com for fullstendige vilkår og betingelser for EGO-garantipolicyen.

ПРОЧИТАЙТЕ ВСЕ ИНСТРУКЦИИ!



ПРОЧИТАЙТЕ РУКОВОДСТВО ПОЛЬЗОВАТЕЛЯ

⚠ ПРЕДУПРЕЖДЕНИЕ. Для обеспечения безопасной и надежной работы устройства его ремонт и замену частей должен выполнять квалифицированный специалист.

СИМВОЛЫ БЕЗОПАСНОСТИ

Символы безопасности предназначены для привлечения внимания к возможному риску. Символы безопасности, а также пояснения к ним, требуют особого внимания и понимания. Предупреждения по технике безопасности сами по себе не устраняют опасность. Инструкции и предупреждения не заменяют соответствующие меры по предотвращению несчастных случаев.

⚠ ПРЕДУПРЕЖДЕНИЕ. Перед использованием устройства внимательно прочитайте все инструкции в данном руководстве пользователя и ознакомьтесь с предупреждающими символами безопасности, такими как «ОПАСНОСТЬ», «ПРЕДУПРЕЖДЕНИЕ» и «ВНИМАНИЕ». Несоблюдение всех приведенных ниже инструкций может привести к поражению электрическим током, возникновению пожара и (или) получению серьезных травм.

	Предупреждение об опасности	Меры предосторожности, касающиеся безопасности
	Внимательно прочитайте руководство пользователя.	Чтобы уменьшить риск получения травм, перед использованием устройства необходимо прочитать и понять руководство по эксплуатации.
	Дождливые условия	Не оставляйте под дождем.

	CE	Соответствует основным требованиям стандартов безопасности Европейских директив.
	UKCA	Данное изделие соответствует действующему законодательству Великобритании.
	WEEE	Неисправные электрические устройства нельзя выбрасывать вместе с бытовым мусором. Сдавайте их в авторизованные пункты сбора и утилизации.
IPX4	Класс защиты	Защита от брызг воды
	Постоянный ток	Тип или характеристика тока
V	Вольт	Напряжение
см	Сантиметр	Длина или размер
м/с	Метров в секунду	Скорость
л/ч	Литр в час	Скорость потока
°C	Градус Цельсия	Температура
кг	Килограмм	Масса

RU

ОБЩИЕ ПРЕДОСТЕРЕЖЕНИЯ ОБ ОПАСНОСТИ

⚠ ПРЕДУПРЕЖДЕНИЕ. Чтобы уменьшить риск пожара, поражения электрическим током или травмы, соблюдайте следующие требования.

- **Ознакомьтесь с вентилятором с функцией увлажнения воздуха. Внимательно прочитайте инструкцию. Изучите область применения и ограничения устройства, а также связанные с ним потенциальные риски.** Соблюдение этого

правила снизит риск поражения электрическим током, пожара или серьезных травм.

- Данное устройство не предназначено для использования лицами (в том числе детьми) с ограниченными физическими, сенсорными или умственными возможностями либо недостатком опыта и знаний, кроме случаев, когда они находятся под присмотром либо проинструктированы относительно использования устройства лицом, ответственным за их безопасность.
- Следите за тем, чтобы дети не играли с этим устройством.

БЕЗОПАСНОСТЬ РАБОЧЕГО МЕСТА

- Не используйте вентилятор во взрывоопасных местах, например вблизи горючих жидкостей, газов или пыли.
- Не позволяйте детям и посторонним находиться вблизи работающего устройства. Отвлекающие факторы могут привести к потере контроля.
- Соблюдайте осторожность при использовании в ветреную погоду. Ветер может задувать частицы влаги в электрическую проводку или устройство.
- Не подвергайте устройство воздействию дождя или влаги. При попадании воды в устройство увеличивается риск поражения электрическим током.

ЛИЧНАЯ БЕЗОПАСНОСТЬ

- При использовании устройства будьте бдительны, следите за своими действиями и следуйте здравому смыслу. Не пользуйтесь устройством, если вы устали или находитесь в плохом настроении или под воздействием наркотиков, алкоголя или медикаментов. Даже кратковременная невнимательность при работе с устройством может привести к тяжелым травмам.
- Не допускайте непредвиденных запусков. Перед подключением устройства к аккумулятору и перед его переноской убедитесь, что выключатель находится в выключенном положении. Не держите палец на выключателе при переноске устройства и не подключайте к источнику питания, если устройство включено. Это может привести к несчастному случаю.
- Перед включением устройства снимите с него регулировочные инструменты и гаечные ключи. Регулировочный инструмент или гаечный ключ, оставленный на вращающейся части устройства, может стать причиной травмы.

- Не тянитесь. Всегда сохраняйте устойчивое положение и равновесие. Это позволит лучше контролировать устройство в непредвиденных ситуациях.
- Одевайтесь надлежащим образом. Не надевайте свободную одежду и украшения. Держите волосы и одежду подальше от движущихся частей. Свободная одежда, украшения и длинные волосы могут попасть в движущиеся части.
- Перед эксплуатацией устройства убедитесь, что все соединения надежно закреплены.
- Не допускайте небрежности, которая может возникнуть из-за частого использования устройства и повлечь за собой самоуверенность и игнорирование правил безопасности. Неосторожное действие может причинить серьезную травму за доли секунды.

ИСПОЛЬЗОВАНИЕ И УХОД

- Не используйте устройство, если его выключатель неисправен. Любое устройство с неисправным выключателем опасно и подлежит ремонту.
- Перед регулировкой, сменой аксессуаров или хранением извлекайте аккумулятор из устройства. Такие меры предосторожности уменьшают риск случайного запуска устройства.
- Храните неиспользуемое устройство в недоступном для детей месте и не доверяйте устройство лицам, не знакомым с ним и с этими инструкциями. Такие устройства опасны в руках неподготовленных пользователей.
- Выполняйте техническое обслуживание устройства и принадлежностей. Проверьте выравнивание и сцепление подвижных деталей, наличие поломок и прочие условия, которые могут повлиять на работу устройства. Если устройство повреждено, перед использованием его необходимо отремонтировать. Многие несчастные случаи вызваны неправильным техобслуживанием устройств.
- Используйте устройство, аксессуары и т. п. в соответствии с этими инструкциями, учитывая условия и специфику выполняемой работы. Использование устройства для выполнения непредусмотренных операций может привести к опасным ситуациям.
- Следите за тем, чтобы рукоятки и поверхности захвата были сухими и чистыми и на них не было масла или смазочного материала.

RU

Скользящие рукоятки и поверхности захвата не позволяют безопасно использовать инструмент и контролировать его в непредвиденных ситуациях.

▲ ПРЕДУПРЕЖДЕНИЕ. Для снижения опасности пожара или поражения электрическим током не используйте этот вентилятор вместе с любым полупроводниковым регулятором скорости.

ЭКСПЛУАТАЦИЯ И ОБСЛУЖИВАНИЕ ИНСТРУМЕНТА С ПИТАНИЕМ ОТ АККУМУЛЯТОРА

- Заряжайте аккумуляторы только с помощью зарядного устройства, указанного изготовителем. Зарядное устройство, предназначенное для одного типа аккумуляторных батарей, может стать причиной пожара при использовании с другим типом батарей.
- Используйте устройство только со специально предназначенными для него аккумуляторами. Использование любого другого вида аккумуляторных батарей может стать причиной несчастных случаев или пожара.
- Когда аккумулятор не используется, храните его отдельно от металлических предметов — канцелярских скрепок, монет, ключей, гвоздей, винтов и др. — они могут соединить контакты. Короткое замыкание контактов аккумуляторной батареи может стать причиной ожогов или пожара.
- При неблагоприятных обстоятельствах из аккумулятора может потечь электролит; избегайте контакта с ним. При случайном контакте промойте водой. Если жидкость попала в глаза, обратитесь к врачу. Жидкость из аккумуляторной батареи может вызвать раздражение и ожоги.
- Не используйте аккумулятор и устройство, если они повреждены или подвергались модификациям. Поведение поврежденных или модифицированных аккумуляторов может быть непредсказуемым, что приведет к возгоранию, взрыву и риску получения травм.
- Не подвергайте аккумуляторную батарею и устройство воздействию огня и высокой температуры. Воздействие огня или температуры выше 130°C может привести к взрыву.
- Следуйте всем инструкциям по зарядке и не заряжайте аккумулятор и устройство при температуре, выходящей за пределы указанного диапазона. Если зарядка выполняется неправильно или в условиях неподходящей температуры, это

может привести к повреждению аккумулятора и возгоранию.

РЕМОНТ

- Ремонт устройства должен производиться квалифицированным специалистом с использованием только идентичных запасных частей. Это обеспечит безопасную работу устройства.
- Никогда не выполняйте обслуживание поврежденного аккумулятора. Обслуживание аккумуляторов должно выполняться только производителем или в авторизованном сервисном центре.

ИНСТРУКЦИИ ПО ТЕХНИКЕ БЕЗОПАСНОСТИ ДЛЯ АККУМУЛЯТОРНОГО ВЕНТИЛЯТОРА С УВЛАЖНИТЕЛЕМ ВОЗДУХА

- Вентилятор не должен использоваться в качестве игрушки. Будьте очень внимательны, когда дети пользуются устройством или находятся рядом с ним.
- Дети могут упасть в ведро и утонуть. Держите детей подальше от ведер, даже если в них находится небольшое количество жидкости.
- Используйте ТОЛЬКО чистую холодную воду.
- Не используйте этот вентилятор для распыления пестицидов, жидких удобрений, химикатов или любых жидкостей, кроме чистой воды. Распыление этих веществ может привести к серьезным травмам и заболеваниям оператора или окружающих.
- Никогда не распыляйте воду в направлении электропроводки или устройства.
- Убедитесь, что крышка батарейного отсека полностью закрыта, чтобы вода не контактировала с аккумулятором и не попала в его разъем.
- Следите за тем, чтобы устройство и его рукоятка были сухими и чистыми и на них не было масла или смазочного материала. Всегда используйте чистую ткань для очистки. Никогда не используйте для очистки вентилятора тормозные жидкости, бензин, нефтепродукты и любые сильные растворители. Соблюдение данного правила позволяет снизить риск потери контроля и повреждения пластика корпуса.
- Аккумуляторы могут взрываться при наличии источника зажигания, например запальника.

RU

Чтобы уменьшить риск получения серьезной травмы, никогда не используйте беспроводные устройства вблизи открытого пламени.

Взорвавшийся аккумулятор выделяет загрязнения и химикаты. При попадании на кожу немедленно промойте водой.


- **Сохраните данные инструкции.** Регулярно просматривайте их и предоставляйте для ознакомления другим пользователям. Одалживая кому-либо вентилятор, передайте также данные инструкции для предотвращения неправильного использования и возможных травм.
- Имейте в виду, что высокий уровень влажности может стимулировать рост биологических организмов в окружающей среде.
- Не допускайте, чтобы область вокруг вентилятора с увлажнителем воздуха становилась влажной или мокрой. При возникновении сырости уменьшите мощность вентилятора. Если мощность вентилятора нельзя уменьшить, периодически выключайте функцию увлажнения воздуха. Не допускайте, чтобы впитывающие материалы, такие как ковровое покрытие, шторы, занавески или скатерти, становились влажными.
- Никогда не оставляйте воду в резервуаре, когда устройство не используется.
- Перед уборкой на хранение опорожняйте и очищайте вентилятор с увлажнителем воздуха. Очистите увлажнитель воздуха перед следующим использованием.

⚠ ПРЕДУПРЕЖДЕНИЕ. Если не обновлять воду и должным образом не очищать резервуар каждые 3 дня, микроорганизмы, которые могут присутствовать в воде или окружающей среде, где используется или хранится устройство, могут развиваться в резервуаре для воды и распространяться в воздухе, вызывая очень серьезные риски для здоровья.

- Перед зарядкой аккумуляторные батареи необходимо извлечь из устройства.
- Использованные батареи необходимо извлекать из устройства и утилизировать безопасным способом.
- Извлеките батареи, если устройство не будет использоваться в течение длительного времени.
- Не допускайте короткого замыкания контактов питания.

СОХРАНИТЕ НАСТОЯЩУЮ ИНСТРУКЦИЮ

ТЕХНИЧЕСКИЕ ХАРАКТЕРИСТИКИ

Напряжение	56 В 
Диаметр лопастей вентилятора	45,7 см
Настройки скорости вращения вентилятора	6 (включая «Турбо»)
Макс. объем воздуха	7000 м³/ч
Макс. скорость воздушного потока	10,3 м/с
Объем воды для распыления	I: 4,5 л/ч
	II: 11,4 л/ч
Рекомендуемая температура хранения	от -20 до 70°C
Масса (без аккумулятора)	10,4 кг

RU

КОМПЛЕКТ ПОСТАВКИ

НАЗВАНИЕ ДЕТАЛИ		КОЛИЧЕСТВО
Вентилятор с увлажнителем воздуха		1
Колесо в сборе	Колесо	2
	Колпак	2
	Винт с шайбой	2
Верхняя рукоятка в сборе	Верхняя рукоятка	1
	Винт с шайбой	4
Гаечный ключ		1
Запасная насадка		1
Руководство по эксплуатации		1

ОПИСАНИЕ

ЧАСТИ ВЕНТИЛЯТОРА С УВЛАЖНИТЕЛЕМ ВОЗДУХА (Рис. А и А1)

1. Верхняя рукоятка
2. Корпус вентилятора
3. Фиксатор корпуса вентилятора
4. Колесо (2 шт.)

5. Насадка для распыления (4 шт.)
6. Телескопическая рукоятка
7. Аккумуляторный отсек
8. Впускная трубка
9. Фильтр
10. Панель управления
11. Кнопка питания
12. Индикатор скорости воздуха
13. Индикатор TURBO
14. Кнопка TURBO
15. Кнопка регулировки скорости воздуха
16. Кнопка выбора режима увлажнения воздуха
17. Индикатор увлажнителя воздуха

СБОРКА

⚠ ПРЕДУПРЕЖДЕНИЕ. Если какие-либо части повреждены или отсутствуют, не используйте устройство, пока они не будут установлены. Использование устройства в случае повреждения или отсутствия частей может привести к получению серьезной травмы.

⚠ ПРЕДУПРЕЖДЕНИЕ. Не пытайтесь изменить конструкцию вентилятора или создать не рекомендованные для него дополнительные приспособления. Подобное изменение считается ненадлежащим использованием и способствует возникновению опасной ситуации, которая приведет к получению серьезной травмы.

⚠ ПРЕДУПРЕЖДЕНИЕ. Перед сборкой, регулировкой, очисткой, а также когда устройство не используется, всегда извлекайте из него аккумулятор. Извлечение аккумулятора поможет предотвратить непредвиденный запуск устройства, который может привести к серьезным травмам.

СБОРКА КОЛЕС (Рис. В)

1. Совместите отверстие одного из колес с осью колеса вентилятора и установите колесо на ось.
2. Проденьте один из винтов колеса через отверстие колеса в ось колеса, затем затяните винт с помощью прилагаемого гаечного ключа.
3. Закрепите колпак на колесе.
4. Установите другое колесо, следуя шагам 1–3, описанным выше.

УСТАНОВКА ВЕРХНЕЙ РУКОЯТКИ (Рис. С)

1. Совместите четыре прилагаемых винта с отверстиями в верхней рукоятке и отверстиями в корпусе вентилятора.
2. Вставьте винты и затяните их с помощью прилагаемого гаечного ключа.

Описание частей на Рис. В и С приведено ниже.

В-1	Колесо (2)	В-3	Винт с шайбой (2)
В-2	Ось колеса (2)	В-4	Колпак (2)
С-1	Верхняя рукоятка	С-2	Винт с шайбой (4)
С-3	Отверстие для винта		

ИСПОЛЬЗОВАНИЕ

⚠ ПРЕДУПРЕЖДЕНИЕ. Не допускайте небрежности и беспечности при работе с устройством. Помните, что потери бдительности на долю секунды достаточно для получения серьезной травмы.

⚠ ПРЕДУПРЕЖДЕНИЕ. Не используйте насадки или дополнительные приспособления, не рекомендованные производителем устройства. Использование нереконструированных насадок и дополнительных приспособлений может привести к серьезным травмам.

Перед каждым использованием полностью проверяйте устройство на наличие поврежденных, отсутствующих или плохо закрепленных частей, таких как винты, гайки, болты, заглушки и т. д. Надежно закрепите все фиксаторы и заглушки и не пользуйтесь устройством до тех пор, пока не будут заменены поврежденные или отсутствующие части.

⚠ ПРЕДУПРЕЖДЕНИЕ. Перед сборкой, регулировкой, очисткой, а также когда устройство не используется, всегда извлекайте из него аккумулятор. Извлечение аккумулятора поможет предотвратить непредвиденный запуск устройства, который может привести к серьезным травмам.

ПРИМЕНЕНИЕ

Данное устройство можно использовать в следующих целях.

- Общая вентиляция в большинстве типичных бытовых условий.
- Наружное охлаждение при подключении к источнику воды.

RU

РЕГУЛИРОВКА УГЛА НАКЛОНА ВЕНТИЛЯТОРА (Рис. D)

1. Возьмитесь за верхнюю рукоятку, чтобы удерживать корпус вентилятора.
2. Поверните фиксатор корпуса вентилятора ПРОТИВ ЧАСОВОЙ СТРЕЛКИ, чтобы освободить регулируемый корпус вентилятора.
3. Наклоните регулируемый корпус вентилятора вперед или назад под нужным углом. Вентилятор может наклоняться на 90° вперед и 135° назад.
4. Поверните фиксатор ПО ЧАСОВОЙ СТРЕЛКЕ, чтобы закрепить корпус вентилятора под нужным углом.

УСТАНОВКА И ИЗВЛЕЧЕНИЕ АККУМУЛЯТОРА (Рис. E)

Используйте только аккумуляторы и зарядные устройства EGO, указанные на Рис. A2.

RU Перед первым использованием полностью зарядите аккумулятор.

Установка

1. Потяните крышку батарейного отсека, чтобы открыть ее.
2. Совместите ребра аккумулятора с крепежными отверстиями и вставьте аккумулятор до щелчка.

Извлечение

1. Нажмите кнопку фиксации аккумулятора и извлеките аккумулятор.
2. Прижмите крышку батарейного отсека, чтобы закрыть ее. Убедитесь, что она полностью закрыта, чтобы вода не контактировала с аккумулятором и не попала в его разъем.

Описание частей на Рис. E приведено ниже.

E-1	Кнопка извлечения аккумулятора
E-2	Крышка батарейного отсека

ВКЛЮЧЕНИЕ И ВЫКЛЮЧЕНИЕ ВЕНТИЛЯТОРА С УВЛАЖНИТЕЛЕМ ВОЗДУХА

ПРИМЕЧАНИЕ. Первоначальная заводская настройка для скорости воздуха — 3. Вентилятор сохранит последнюю использованную настройку скорости воздуха и активирует ее при повторном запуске.

ВАЖНО. Настройка турбо-режима не будет сохранена.

ПРИМЕЧАНИЕ. Настройка функции увлажнения воздуха не сохраняется и по умолчанию будет отключена при каждом включении вентилятора.

КНОПКА ПИТАНИЯ

- Быстро нажмите кнопку питания, чтобы включить вентилятор.
- Быстро нажмите кнопку питания еще раз, чтобы выключить вентилятор.

РЕГУЛИРОВКА СКОРОСТИ ВОЗДУХА

Нормальная скорость воздуха

- Нажмите кнопку «+», чтобы увеличить скорость воздуха, или кнопку «-», чтобы уменьшить скорость воздуха. Всего есть 5 уровней скорости.
- Индикатор скорости воздуха отображает текущий уровень скорости с помощью зеленых светодиодов.

Режим TURBO

- Нажмите кнопку TURBO. Индикатор TURBO начнет светиться зеленым, и вентилятор перейдет в режим TURBO (максимальная скорость воздушного потока).
- В режиме TURBO снова нажмите кнопку TURBO. Индикатор TURBO погаснет, и вентилятор вернется к предыдущему значению скорости воздуха.
- В режиме TURBO нажмите кнопку «-». Индикатор TURBO погаснет, и вентилятор переключится на уровень скорости воздуха 5.

ФУНКЦИЯ УВЛАЖНЕНИЯ ВОЗДУХА

ИСПОЛЬЗОВАНИЕ ВЕНТИЛЯТОРА С ВЕДРОМ ДЛЯ ВОДЫ (НЕ ВХОДИТ В КОМПЛЕКТ) (Рис. F)

⚠ ПРЕДУПРЕЖДЕНИЕ. Дети могут упасть в ведро и утонуть. Держите детей подальше от ведер, даже если в них находится небольшое количество жидкости.

ПРИМЕЧАНИЕ. Перед каждым использованием мойте ведро водой с мылом.

1. Отсоедините аккумулятор.
2. Поставьте ведро на ровную плоскую поверхность.
3. Наливайте в ведро ТОЛЬКО чистую холодную воду. Не переливайте.
4. Погрузите фильтрующий конец впускной трубки в ведро для воды.

ПРИМЕЧАНИЕ. Не сгибайте впускную трубку и всегда следите за тем, чтобы вода беспрепятственно текла по трубке.

5. Установите аккумулятор и закройте крышку батарейного отсека.
6. Нажмите кнопку питания, чтобы включить вентилятор.
7. Нажмите кнопку выбора режима увлажнения воздуха, чтобы запустить распыление.
 - Нажмите кнопку выбора режима увлажнителя воздуха один раз. Индикатор увлажнителя воздуха начнет светиться двумя светодиодами, что соответствует непрерывному режиму увлажнения — увлажнение воздуха происходит постоянно.

ПРИМЕЧАНИЕ. Может пройти около 15 секунд, прежде чем «туман» из увлажнителя воздуха станет виден. Эта задержка связана со временем, которое требуется для того, чтобы вода перетекла из ведра в насадку.

- Снова нажмите кнопку выбора режима увлажнителя воздуха. Индикатор увлажнителя воздуха начнет светиться одним зеленым светодиодом, что соответствует прерывистому режиму увлажнения — распыление происходит в течение 5 секунд каждые 10 секунд.
- Когда для распыления выбран прерывистый режим, снова нажмите кнопку выбора режима увлажнителя воздуха. Индикаторы увлажнителя воздуха перестанут светиться и распыление прекратится.

ПРИМЕЧАНИЕ. Когда операция увлажнения будет закончена, извлеките впускную трубку из воды, запустите вентилятор в режиме увлажнения воздуха и дайте ему поработать, пока вся вода не выйдет из трубки. Это помогает предотвратить неожиданное распыление остаточной воды из трубки при повторном запуске вентилятора.

ИСПОЛЬЗОВАНИЕ ВЕНТИЛЯТОРА БЕЗ ФУНКЦИИ УВЛАЖНЕНИЯ ВОЗДУХА

Если данное устройство не соединено с источником воды, его можно использовать как обычный вентилятор. Всегда помещайте впускную трубку в место для хранения (см. раздел **ХРАНЕНИЕ** данного руководства), когда она не используется, чтобы защитить ее от повреждений и загрязнения.

ВНУТРЕННЯЯ ЗАЩИТА

Когда функция увлажнения воздуха включена, но распыление не происходит:

- Водяной насос будет работать в течение короткого времени, а затем автоматически выключится для защиты внутренней электроники.
- В зависимости от режима увлажнения воздуха индикатор увлажнителя воздуха некоторое время будет отображать один или два постоянно светящихся светодиода, а затем будет непрерывно мигать зеленым светом, предупреждая оператора о том, что нужно выполнить следующие действия.
 - a. Проверить, правильно ли погружена впускная трубка в воду.
 - b. Проверить, не засорены ли насадки увлажнителя воздуха, и очистить их в соответствии с инструкциями в главе **ОБСЛУЖИВАНИЕ НАСАДКИ**.
 - c. Нажмите кнопку выбора режима увлажнения воздуха, чтобы снова запустить распыление.

ОБСЛУЖИВАНИЕ

⚠ ПРЕДУПРЕЖДЕНИЕ. При ремонте используйте только идентичные запасные части. Использование других запасных частей может привести к возникновению опасной ситуации или повреждению устройства. Для обеспечения безопасности и надежности устройства его ремонт должен выполнять квалифицированный специалист.

⚠ ПРЕДУПРЕЖДЕНИЕ. Во избежание травм всегда извлекайте аккумулятор из устройства перед чистой или обслуживанием.

ОБЩЕЕ ОБСЛУЖИВАНИЕ

Не используйте растворители для очистки пластиковых частей. Большинство пластиковых частей чувствительны к различным бытовым растворителям и могут быть повреждены. Для очистки от грязи, пыли, масла, смазки и т. п. используйте чистую ткань.

⚠ ПРЕДУПРЕЖДЕНИЕ. Не допускайте попадания на пластиковые части тормозной жидкости, бензина, продуктов на нефтяной основе, пропитывающих масел и т. д. Химические вещества могут повредить, ослабить или разрушить пластик, что приведет к получению серьезных травм.

ОБСЛУЖИВАНИЕ НАСАДКИ (Рис. G)

ПРЕДУПРЕЖДЕНИЕ. Убедитесь, что обслуживание насадки увлажнителя воздуха выполнено надлежащим образом, чтобы предотвратить утечку воды. Утечки

могут привести к образованию скользкой поверхности, создающей опасность соскальзывания, падения или причинения материального ущерба.

Порядок очистки насадок

1. Выключите вентилятор и извлеките аккумулятор.
2. Снимите засоренные латунные насадки увлажнителя воздуха, повернув их против часовой стрелки.
3. Разберите каждую насадку на части.
4. **Чтобы удалить посторонние частицы,** засоряющие или ограничивающие проходимость насадок, промойте части насадки водой. **Чтобы удалить накипь (минеральные отложения),** очистите части насадки белым уксусом или другим средством для удаления накипи.
5. Соберите насадки.

ПРИМЕЧАНИЕ. Во избежание засорения убедитесь, что насадка собрана точно так, как показано на Рис. G.

6. Установите чистые насадки на место.

ОБСЛУЖИВАНИЕ ФИЛЬТРА (Рис. H)

Периодически проверяйте фильтр на конце впускной трубки, чтобы убедиться, что он в хорошем состоянии.

1. Вытяните фильтр из впускной трубки.
2. Раскрутите фильтр на части и извлеките губчатую сетку.
3. Промойте губчатую сетку или замените ее при необходимости.
4. Соберите фильтр и снова присоедините его к впускной трубке.

Описание частей на Рис. H. приведено ниже.

H-1	Фильтр	H-3	Губчатая сетка
H-2	Верхняя часть	H-4	Нижняя часть

ОБСЛУЖИВАНИЕ КОРПУСА ВЕНТИЛЯТОРА

(Рис. I1 и I2)

⚠ ПРЕДУПРЕЖДЕНИЕ. Перед снятием защитного кожуха убедитесь, что аккумулятор извлечен из устройства.

1. Ослабьте и открутите шесть винтов, чтобы ЧАСТИЧНО снять переднюю решетку с корпуса вентилятора.

⚠ ВНИМАНИЕ! Во избежание повреждения

не снимайте переднюю решетку полностью, не отсоединив СНАЧАЛА впускную трубку.

2. Прижмите черную резинку на конце гайки, чтобы вытянуть впускную трубку.
3. Снимите переднюю решетку полностью.
4. Поверните крышку фиксатора лопастей вентилятора по часовой стрелке, чтобы отсоединить лопасти вентилятора от вала.
5. Снимите лопасти вентилятора.
6. При необходимости очистите лопасти вентилятора и внутреннюю часть корпуса.
7. Соберите все части в обратном порядке и убедитесь, что:
 - впускная трубка правильно соединена с гайкой;
 - впускная трубка правильно помещена в прорезь на решетке.

Описание частей на Рис. I1 и I2 приведено ниже.

I1-1	Передняя решетка	I1-4	Черная резинка
I1-2	Винт (6)	I1-5	Впускная трубка
I1-3	Гайка	I2-1	Крышка фиксатора
I2-2	Лопастей вентилятора		

ТРАНСПОРТИРОВКА

- Вентилятор оснащен верхней рукояткой для его переноски на короткие расстояния или при пересечении неровной поверхности.
- Для транспортировки на дальние расстояния используйте телескопическую рукоятку, чтобы катить вентилятор на колесах. Используйте верхнюю рукоятку, чтобы наклонить вентилятор, а затем вытяните телескопическую рукоятку до щелчка. Когда телескопическая рукоятка не используется, складывайте ее внутрь устройства (Рис. J).

ХРАНЕНИЕ

1. Извлеките аккумулятор.
2. Тщательно очистите вентилятор.
3. Опорожните впускную трубку и фильтр.

4. Поместите впускную трубку в место для хранения, расположенное в задней части вентилятора (Рис. К1 и К2).
5. Храните вентилятор в сухом хорошо проветриваемом месте, недоступном для детей. Не храните вентилятор рядом с удобрениями, бензином или другими химическими веществами.

ОХРАНА ОКРУЖАЮЩЕЙ СРЕДЫ



Не выбрасывайте электроприборы, зарядные устройства и аккумуляторные батареи вместе с бытовыми отходами! Отправьте данное изделие на переработку в специализированное предприятие или сдайте его для раздельного сбора.

Электроинструменты должны быть возвращены на перерабатывающее предприятие, не наносящее ущерба окружающей среде.

RU

УСТРАНЕНИЕ НЕПОЛАДOK

ПРОБЛЕМА	ПРИЧИНА	РЕШЕНИЕ
Устройство не работает.	<ul style="list-style-type: none"> ■ Низкий заряд аккумулятора. ■ Аккумулятор или вентилятор перегрелись. 	<ul style="list-style-type: none"> ■ Зарядите аккумулятор. ■ Выключите вентилятор и дайте вентилятору и аккумулятору остыть.
Вода не распыляется, а индикатор увлажнителя воздуха мигает двумя зелеными светодиодами.	<ul style="list-style-type: none"> ■ Впускная трубка не всасывает воду, активируя внутреннюю защиту водяного насоса, установленного в устройстве. ■ Насадка увлажнителя воздуха засорилась во время работы, что привело к активации внутренней защиты водяного насоса. 	<ul style="list-style-type: none"> ■ Проверьте и убедитесь, что в ведре достаточно воды, а впускная трубка правильно погружена в воду. ■ Очистите насадки в соответствии с информацией в главе ОБСЛУЖИВАНИЕ НАСАДКИ и соберите их в соответствии с инструкциями.
После обслуживания корпуса вентилятора происходит утечка воды.	<ul style="list-style-type: none"> ■ Гайка, фиксирующая впускную трубку, неожиданно ослабла. 	<ul style="list-style-type: none"> ■ Откройте корпус вентилятора в соответствии с инструкциями в главе ОБСЛУЖИВАНИЕ КОРПУСА ВЕНТИЛЯТОРА. Проверьте и убедитесь, что гайка полностью затянута.

RU

ГАРАНТИЯ

ГАРАНТИЙНАЯ ПОЛИТИКА EGO

Посетите веб-сайт egopowerplus.com, чтобы ознакомиться со всеми условиями и сроками гарантийной политики EGO.

PRZECZYTAJ WSZYSTKIE INSTRUKCJE!



PRZECZYTAJ INSTRUKCJĘ OBSŁUGI

⚠ OSTRZEŻENIE: Aby zagwarantować bezpieczeństwo i niezawodność, wszystkie naprawy i wymiany części powinny być wykonywane przez wykwalifikowanych techników serwisu.

SYMBOLE BEZPIECZEŃSTWA

Celem symboli bezpieczeństwa jest zwrócenie uwagi użytkownika na możliwe zagrożenia. Symbole bezpieczeństwa i objaśnienia do nich zasługują na to, aby je uważnie przestudiować i zrozumieć. Symbole bezpieczeństwa nie eliminują same z siebie jakichkolwiek zagrożeń. Podawane w nich instrukcje i ostrzeżenia nie zastępują odpowiednich środków zapobiegania wypadkom.

⚠ OSTRZEŻENIE: Przed użyciem narzędzia należy koniecznie przeczytać ze zrozumieniem wszystkie instrukcje dotyczące bezpieczeństwa podane w podręczniku użytkownika, łącznie z wszystkimi symbolami ostrzegawczymi takimi jak „**NIEBEZPIECZEŃSTWO**”, „**OSTRZEŻENIE**” i „**OSTROŻNIE**”. Niestosowanie się do wszystkich podanych niżej instrukcji może doprowadzić do porażenia prądem, pożaru i/lub poważnych urazów ciała.

	Ostrzeżenie dotyczące bezpieczeństwa	Środki ostrożności istotne dla bezpieczeństwa użytkownika.
	Przeczytaj ze zrozumieniem instrukcję użytkownika	Aby zmniejszyć ryzyko urazów, przed rozpoczęciem używania urządzenia, użytkownik musi przeczytać i zrozumieć instrukcję.
	Stan deszczu	Chronić przed deszczem.
	CE	Ten produkt jest zgodny z obowiązującymi dyrektywami WE.

	UKCA	Produkt jest zgodny z dyrektywami obowiązującymi w Wielkiej Brytanii.
	WEEE	Zużytych wyrobów elektrycznych nie należy wyrzucać razem ze zwykłymi odpadami domowymi. Należy je oddać do autoryzowanego punktu recyklingu.
IPX4	Stopień ochrony przed penetracją	Zabezpieczenie przed zachlapaniem wodą
	Prąd stały	Rodzaj lub charakterystyka prądu
V	Wolt	Napięcie
cm	Centymetr	Długość lub rozmiar
m/s	Metry na godzinę	Prędkość
L/h	Litry na godzinę	Natężenie przepływu
°C	Celsjusz	Temperatura
kg	Kilogram	Ciężar

PL

OSTRZEŻENIA OGÓLNE

⚠ OSTRZEŻENIE: Aby ograniczyć ryzyko pożaru, porażenia prądem lub urazów:

- Prosimy zapoznać się z wentylatorem nawilżającym. Użytkownik powinien przeczytać instrukcję obsługi. Należy zapoznać się z zastosowaniami i ograniczeniami oraz specjalnymi potencjalnymi zagrożeniami związanymi z wentylatorem. Stosowanie tej zasady ograniczy ryzyko porażenia prądem, pożaru lub poważnych urazów.
- Urządzenie nie powinno być używane przez osoby (w tym dzieci) o ograniczeniach fizycznych, czuciowych lub psychicznych, ani osoby bez odpowiedniego doświadczenia lub wiedzy, chyba że opiekun

odpowiedzialny za ich bezpieczeństwo nadzoruje wykonywane przez nie czynności lub poinstruował je wcześniej na temat obsługi urządzenia.

- Aby nie dopuścić do zabawy urządzeniem, dzieci powinny pozostawać pod opieką osób dorosłych.

BEZPIECZEŃSTWO W MIEJSCU PRACY

- Wentylatora nie należy używać w miejscach zagrożonych wybuchem, np. w obecności łatwopalnych cieczy, gazów lub pyłu.
- W czasie pracy urządzenie należy trzymać z dala od dzieci i osób postronnych. Chwila nieuwagi może spowodować utratę kontroli nad urządzeniem.
- Podczas używania urządzenia, gdy wieje wiatr, należy zachować ostrożność. Wiatry mogą przenieść mgiełkę na przewody lub urządzenia elektryczne.
- Nie należy narażać urządzenia na działanie deszczu lub wilgoci. Woda dostająca się do wnętrza urządzenia zwiększa ryzyko porażenia prądem.

PL

BEZPIECZEŃSTWO OSOBISTE

- Podczas używania urządzenia należy zachowywać czujność, patrzeć, co się robi i kierować się zdrowym rozsądkiem. Nie należy używać urządzenia, gdy użytkownik jest zmęczony, zdenerwowany albo pod wpływem narkotyków, alkoholu lub leków. Chwila nieuwagi w czasie posługiwania się urządzeniem może spowodować poważne urazy.
- Nie należy dopuszczać do przypadkowego włączenia. Należy pilnować, aby przed podłączeniem urządzenia do akumulatora oraz przed podniesieniem i przenoszeniem przełącznik był ustawiony w pozycji „wyłączone”. Trzymanie palca na przełączniku włączającym w czasie przenoszenia urządzenia lub podłączanie urządzenia do zasilania, gdy przełącznik ustawiony jest w pozycji „włączone”, może doprowadzić do wypadku.
- Przed włączeniem urządzenia należy usunąć wszystkie klucze regulacyjne i inne narzędzia. Klucz zaczepiony o obracającą się część urządzenia może spowodować obrażenia.
- Nie należy sięgać za daleko. Należy zawsze dbać o utrzymanie równowagi i pewne podparcie nóg. W nieprzewidzianych sytuacjach zapewnia to lepszą kontrolę nad urządzeniem.
- Należy nosić odpowiednią odzież. Nie powinno się nosić luźnych ubrań ani biżuterii. Włosy i odzież należy trzymać w bezpiecznej odległości od poruszających się części. Luźne ubrania, biżuteria

lub długie włosy mogą zaczepić się o poruszające się części.

- Przed włączeniem urządzenia należy sprawdzić wszystkie połączenia.
- Nie wolno dopuścić do tego, aby poczucie znajomości urządzenia wynikające z jego częstego używania doprowadziło do lekceważenia i ignorowania zasad bezpieczeństwa. Jedno lekkomyślne działanie może w ułamku sekundy doprowadzić do ciężkich urazów.

UŻYTKOWANIE I KONSERWACJA

- Nie należy używać urządzenia, jeżeli przełącznik zasilania nie włącza go lub nie wyłącza. Urządzenie, którego nie da się kontrolować przełącznikiem, jest potencjalnie niebezpieczne i wymaga naprawy.
- Przed jakąkolwiek regulacją, wymianą akcesoriów lub przechowywaniem urządzenia należy zawsze odłączyć akumulator. Tego typu zapobiegawcze środki ostrożności zmniejszają ryzyko przypadkowego włączenia się urządzenia.
- Nieużywane urządzenie należy przechowywać w miejscu niedostępnym dla dzieci. Nie wolno dopuszczać do obsługi urządzenia przez osoby, które nie znają urządzenia lub nie zapoznały się z niniejszą instrukcją. W rękach nieprzeszkolonych użytkowników urządzenia mogą stanowić zagrożenie.
- Urządzenie i akcesoria należy utrzymywać w dobrym stanie. Należy kontrolować, czy części ruchome nie są odchylone od osi, nie zacinają się i nie są pęknięte lub uszkodzone w inny sposób, który mógłby wpłynąć na działanie urządzenia. Jeśli urządzenie jest uszkodzone, przed użyciem należy je naprawić. Wiele wypadków wynika ze złej konserwacji urządzeń.
- Urządzenia, akcesoriów, itp. należy używać zgodnie z niniejszą instrukcją, z uwzględnieniem warunków i rodzaju wykonywanej pracy. Korzystanie z urządzenia niezgodnie z przeznaczeniem może doprowadzić do niebezpiecznych sytuacji.
- Należy dbać o to, aby uchwyty i powierzchnie do trzymania były suche, czyste i niezaplamione olejem lub smarem. Śliskie uchwyty nie pozwalają w bezpieczny sposób kontrolować narzędzia w nieprzewidzianych sytuacjach.

⚠ OSTRZEŻENIE: Aby zmniejszyć ryzyko pożaru lub porażenia prądem, wentylatora nie należy używać w połączeniu z jakimkolwiek półprzewodnikowym urządzeniem sterującym prędkością.

UŻYWANIE I KONSERWOWANIE NARZĘDZI AKUMULATOROWYCH

- Do ładowania należy używać wyłącznie ładowarki wskazanej przez producenta. Użycie ładowarki pochodzącej od jednego akumulatora do ładowania innego akumulatora grozi pożarem.
- Urządzenia należy używać wyłącznie z dedykowanymi do niego akumulatorami. Użycie jakichkolwiek innych akumulatorów grozi obrażeniami i pożarem.
- Jeżeli akumulator nie jest używany, należy go przechowywać z dala od innych przedmiotów metalowych, np. spinaczy, monet, kluczy, gwoździ, śrub i innych drobnych przedmiotów metalowych, które mogłyby spowodować zwarcie wyprowadzeń akumulatora. Zwarcie wyprowadzeń akumulatora może doprowadzić do oparzeń lub pożaru.
- W niesprzyjających warunkach może dojść do wycieku cieczy z akumulatora. Należy wtedy unikać wszelkiego kontaktu z tą cieczą. W razie przypadkowego kontaktu ze skórą, zabrudzone miejsce należy obficie przemyć wodą. Jeżeli płyn dostanie się do oczu, należy dodatkowo zasięgnąć porady lekarza. Płyn wyciekający z akumulatora może powodować podrażnienie lub oparzenia.
- Nie należy używać akumulatora lub urządzenia, które są uszkodzone lub zostały poddane przeróbkom. Uszkodzone lub zmodyfikowane akumulatory mogą zachowywać się w sposób nieprzewidywalny, co może doprowadzić do pożaru lub wybuchu lub stwarzać ryzyko urazów.
- Nie należy narażać akumulatora lub urządzenia na kontakt z ogniem lub zbyt wysokimi temperaturami. Ogień lub temperatury przekraczające 130°C mogą doprowadzić do wybuchu.
- Należy przestrzegać wszystkich instrukcji ładowania. Nie należy ładować akumulatora lub urządzenia poza przedziałem temperatur podanym w instrukcji. Ładowanie w sposób nieprawidłowy lub w temperaturze wykraczającej poza określony zakres może doprowadzić do uszkodzenia akumulatora i zwiększa ryzyko pożaru.

SERWISOWANIE

- Serwisowanie urządzenia należy powierzać wykwalifikowanemu serwisantowi. Do naprawy używać wyłącznie części zamiennych identycznych z oryginalnymi. Zapewni to bezpieczeństwo eksploatacji urządzenia.
- Uszkodzonych akumulatorów nie należy nigdy naprawiać. Jakiegokolwiek czynności serwisowe przy

akumulatorach powinny być wykonywane wyłącznie przez producenta lub pracowników autoryzowanego serwisu.

INSTRUKCJE DOTYCZĄCE BEZPIECZEŃSTWA UŻYWANIA BEZPRZEWODOWEGO WENTYLATORA NAWILŻAJĄCEGO

- Nie wolno dopuścić do tego, aby wentylator był używany jako zabawka. Używanie urządzenia przez lub w pobliżu dzieci wymaga szczególnej uwagi.
- Dzieci mogą wpaść do wiadra i się utopić. Jeśli w wiadrze znajduje się nawet niewielka ilość płynu, dzieci należy trzymać z dala od wiadra.
- Należy używać WYŁĄCZNIE czystej, zimnej wody.
- Wentylatora nawilżającego nie należy używać do rozpylania pestycydów, płynnych nawozów, chemikaliów lub jakichkolwiek płynów innych niż czysta woda. Rozprowadzanie takich substancji może doprowadzić do choroby lub ciężkich urazów operatora lub osób postronnych.
- Nigdy nie należy kierować mgiełki lub wody w stronę jakichkolwiek przewodów lub urządzeń elektrycznych.
- Aby zapobiec zetknięciu się akumulatora z wodą lub przedostaniu się wody do portu akumulatora, należy pilnować, aby pokrywa komory akumulatora była całkowicie zamknięta.
- Należy dbać o to, aby urządzenie i jego uchwyty były suche, czyste i niezaplamione olejem lub smarem. Do czyszczenia należy zawsze używać czystej ściereczki. Do czyszczenia wentylatora nigdy nie należy stosować płynów hamulcowych, benzyny, produktów ropopochodnych lub jakichkolwiek innych silnych rozpuszczalników. Stosowanie tej zasady ograniczy ryzyko uszkodzenia plastikowej obudowy.
- W obecności źródła zapłonu takiego jak np. świeczka w podgrzewaczu do wody akumulatory mogą wybuchnąć. Aby ograniczyć ryzyko ciężkich urazów ciała, nigdy nie należy używać jakichkolwiek produktów bezprzewodowych w obecności otwartych płomieni. Wybuch akumulatora może spowodować wyrzucenie w powietrze odpadów i substancji chemicznych. W przypadku zetknięcia się z nimi, zabrudzone miejsce trzeba natychmiast przepłukać wodą.
- Niniejszą instrukcję należy zachować. Zachęcamy do częstego korzystania z niej. Instrukcja może też posłużyć do przeszkolenia innych osób, które będą używały wentylatora. Aby zapobiec niewłaściwemu

PL

użytkowaniu i możliwym urazom, jeśli wentylator zostanie komuś pożyczony, osobie tej należy również udostępnić niniejszą instrukcję.

- Należy mieć świadomość, że wysoki poziom wilgotności może sprzyjać rozwijaniu się w środowisku organizmów biologicznych.
- Nie wolno dopuścić do tego, aby otoczenie wentylatora nawilżającego było mokre. Jeśli otoczenie jest mokre, należy zmniejszyć wydajność działania wentylatora nawilżającego. Jeśli wydajności wentylatora nawilżającego nie da się zmniejszyć, nawilżacz należy używać z przerwami. Nie wolno dopuszczać do zawilgocenia materiałów chłonnych, takich jak dywany, zasłony, firanki czy obrusy.
- Gdy urządzenie nie jest używane, nigdy nie należy zostawiać wody w zbiorniku.
- Przed schowaniem, wentylator nawilżający należy opróżnić i wyczyścić. Przed następnym użyciem należy wyczyścić nawilżacz.


PL

⚠ OSTRZEŻENIE: Mikroorganizmy, które mogą występować w wodzie lub w środowisku, w którym urządzenie jest używane lub przechowywane, mogą rozwijać się w zbiorniku z wodą i mogą być rozprowadzane w powietrzu. Jeśli woda nie będzie wymieniana, a zbiornik nie będzie właściwie czyszczony raz na 3 dni, może to powodować bardzo poważne zagrożenia dla zdrowia.

- Przed naładowaniem akumulatory należy wyjąć z urządzenia
- Zużyte akumulatory należy wyjąć z urządzenia i bezpiecznie zutylizować
- Jeżeli urządzenie ma być przechowywane nieużywane przez długi czas, należy z niego wyjąć akumulatory
- Wyprowadzeń zasilania nie wolno zwierać.

NINIEJSZĄ INSTRUKCJĘ NALEŻY ZACHOWAĆ.

SPECYFIKACJA

Napięcie	56 V 
Średnica łopatek wentylatora	45,7 cm
Ustawienia prędkości wentylatora	6 (w tym „Turbo”)
Maks. objętość powietrza	7000 m ³ /h
Maks. prędkość powietrza	10,3 m/s
Objętość wody do tworzenia mgiełki	I: 4,5 L/h
	II: 11,4 L/h

Zalecana temperatura przechowywania	-20°C ~ 70°C
Ciężar (bez akumulatora)	10,4 kg

LISTA ELEMENTÓW W OPAKOWANIU

NAZWY CZĘŚCI		ILÓŚĆ
Wentylator nawilżający		1
Moduł koła	Koło	2
	Kołpak	2
	Śruba z podkładką	2
Uchwyt górny (zespół)	Uchwyt górny	1
	Śruba z podkładką	4
Klucz		1
Dysza zapasowa		1
Instrukcja obsługi		1

OPIS

ZAPOZNAJ SIĘ Z WENTYLATOREM NAWILŻAJĄCYM (Rys. A i Rys. A1)

- Uchwyt górny
- Obudowa wentylatora
- Pokrętko blokujące obudowę wentylatora
- Koło (x2)
- Dysza do wytwarzania mgiełki (x4)
- Uchwyt teleskopowy
- Komora akumulatora
- Rurka zasysająca
- Filtr
- Interfejs sterowania
- Przycisk zasilania
- Wskaźnik prędkości powietrza
- Wskaźnik TURBO
- Przycisk TURBO
- Przycisk regulacji prędkości powietrza

16. Przycisk wyboru trybu mgiełki

17. Wskaźnik mgiełki

MONTAŻ

⚠ OSTRZEŻENIE: W przypadku braku lub uszkodzenia którejs z części nie należy uruchamiać urządzenia aż do momentu wymiany lub naprawy części. Używanie urządzenia z uszkodzonymi częściami lub gdy którejs z części brakuje może doprowadzić do poważnych urazów ciała.

⚠ OSTRZEŻENIE: Nie należy próbować przerabiać urządzenia ani tworzyć akcesoriów, które nie są zalecane do używania w wentylatorze. Wszelkie tego typu zmiany lub modyfikacje są niedozwolone i mogą prowadzić do niebezpiecznych sytuacji oraz poważnych urazów ciała.

⚠ OSTRZEŻENIE: Przed montażem części, regulacją i czyszczeniem oraz gdy produkt nie jest używany należy zawsze wyjąć z niego akumulator. Wyjęcie akumulatora zapobiega przypadkowemu włączeniu, które mogłoby spowodować ciężkie urazy ciała.

MONTAŻ KÓŁ (Rys. B)

1. Dopasować otwór jednego z kół do osi koła wentylatora i zamontować koło na osi.
2. Przełożyć jedną ze śrub do kół przez otwór w kole i dalej do osi koła, a następnie dokręć śrubę kluczem znajdującym się w zestawie.
3. Wcisnąć na koło kołpak.
4. Zmontować drugie koło w sposób opisany powyżej w krokach 1 - 3.

MOCOWANIE UCHWYTU GÓRNEGO (Rys. C)

1. Dopasować cztery dostarczone śruby do otworów w uchwycie górnym i otworów w obudowie wentylatora.
2. Włożyć śruby, a następnie dokręcić je kluczem znajdującym się w zestawie.

Rys. B i Rys. C – opis części patrz poniżej:

B-1	Koło (2)	B-3	Śruba z podkładką (2)
B-2	Oś koła (2)	B-4	Kołpak (2)
C-1	Uchwyt górny	C-2	Śruba z podkładką (4)
C-3	Otwór na śrubę		

UŻYTKOWANIE

⚠ OSTRZEŻENIE: Nie wolno dopuścić do tego, aby znajomość narzędzia doprowadziła do nieuwagi. Należy pamiętać, że do spowodowania poważnych obrażeń wystarczy zaledwie chwila nieuwagi.

⚠ OSTRZEŻENIE: Nie należy używać końcówek lub akcesoriów innych niż zalecane przez producenta produktu. Używanie końcówek lub akcesoriów innych niż zalecane może doprowadzić do poważnych obrażeń.

Przed każdym użyciem należy skontrolować cały produkt pod kątem uszkodzonych, brakujących lub obluźwanych części takich jak śruby, wkręty, nakrętki, nasadki itp. Wszystkie elementy połączeniowe i nasadki należy mocno dokręcić. Nie używać produktu zanim wszystkie brakujące lub uszkodzone części nie zostaną wymienione.

⚠ OSTRZEŻENIE: Przed montażem części, regulacją i czyszczeniem oraz gdy urządzenie nie jest używane należy zawsze wyjąć z niego akumulator. Wyjęcie akumulatora zapobiega przypadkowemu włączeniu, które mogłoby spowodować ciężkie urazy ciała.

PL

ZASTOSOWANIA

Urządzenia można używać wyłącznie do celów podanych poniżej:

- Wentylacja ogólna w większości zastosowań domowych
- Chłodzenie na dworze z podłączonym źródłem wody

REGULACJA KĄTA USTAWIENIA WENTYLATORA (Rys. D)

1. Chwycić za uchwyt górny, aby przytrzymać obudowę wentylatora.
2. Przekręcić pokrętko blokujące obudowę wentylatora W LEWO (przeciwnie do kierunku ruchu wskazówek zegara), aby poluzować regulowaną obudowę wentylatora.
3. Nachylić regulowaną obudowę wentylatora do przodu lub do tyłu pod żądanym kątem. Wentylator można obracać o 90° do przodu i o 135° do tyłu.
4. Przekręcić pokrętko blokujące W PRAWO (zgodnie z kierunkiem ruchu wskazówek zegara), aby zablokować obudowę wentylatora pod żądanym kątem.

WKŁADANIE/WYJMOWANIE AKUMULATORA (Rys. E)

Do urządzenia należy używać wyłącznie ładowarek i akumulatorów marki EGO wymienionych na Rys. A2.

Naładować przed pierwszym użyciem.

Zakładanie

1. Pociągnąć za pokrywę komory akumulatora, aby ją otworzyć.
2. Należy wyrównać żeberka akumulatora względem szczelin mocujących i wsunąć akumulator do ładowarki aż da się słyszeć kliknięcie.

Wymowanie

1. Nacisnąć przycisk wymowania akumulatora, podnieść akumulator i wysunąć go na zewnątrz.
2. Nacisnąć pokrywę komory baterii, aby ją zamknąć. Należy się upewnić, że jest ona całkowicie zamknięta, tak aby zapobiec kontaktowi wody z akumulatorem lub dostaniu się jej do portu akumulatora.

Rys. E – opis części patrz poniżej

E-1	Przycisk odblokowujący akumulator
E-2	Pokrywa komory akumulatora

PL

WŁĄCZANIE/WYŁĄCZANIE WENTYLATORA NAWILŻAJĄCEGO

UWAGA: Początkowe ustawienie fabryczne prędkości powietrza to poziom 3. Wentylator zapisuje ostatnie używane ustawienie prędkości powietrza i powraca je po ponownym uruchomieniu urządzenia.

WAŻNE: Ustawienie Turbo nie jest zapisywane.

UWAGA: Ustawienie mgiełki nie jest zapisywane i domyślnie, przy każdym włączeniu wentylatora, jest ono wyłączone.

PRZYCIŚK ZASILANIA

- Aby włączyć wentylator, należy na krótko wcisnąć przycisk zasilania.
- Ponowne krótkie wcisnięcie przycisku zasilania powoduje wyłączenie wentylatora.

REGULACJA PRĘDKOŚCI POWIETRZA

Normalna prędkość powietrza

- Wciśnięcie przycisku „+” zwiększa prędkość powietrza, wciśnięcie przycisku „-” zmniejsza ją. Jest 5 poziomów prędkości.
- Wskaźnik prędkości powietrza wyświetla zielone kontrolki świetlne odpowiadające aktualnemu poziomowi prędkości.

Tryb TURBO

- Wciśnięcie przycisku „TURBO”, powoduje, że wskaźnik TURBO zapala się na zielono, a wentylator przechodzi w tryb „TURBO”, czyli najwyższej prędkości powietrza.
- W trybie „TURBO”, wciśnięcie przycisku „TURBO”, powoduje, że wskaźnik TURBO gaśnie, a wentylator wraca do wcześniej ustawionej prędkości powietrza.
- W trybie „TURBO”, wciśnięcie przycisku „-”, powoduje, że wskaźnik TURBO gaśnie, a wentylator przechodzi na poziom prędkości powietrza 5.

FUNKCJA MGIEŁKI

UŻYWANIE WENTYLATORA Z WIADREM Z WODĄ (ZESTAW NIE ZAWIERA WIADRA) (Rys. F)

⚠ OSTRZEŻENIE: Dzieci mogą wpaść do wiadra i się utopić. Jeśli w wiadrze znajduje się nawet niewielka ilość płynu, dzieci należy trzymać z dala od wiadra.

UWAGA: Przed każdym użyciem wiadro należy umyć wodą i mydłem.

1. Odłączyć akumulator.
2. Ustawić wiadro na płaskiej, równej powierzchni.
3. Do wiadra nalać TYLKO czystej, zimnej wody. Nie przepelniać.
4. Zanurzyć w wiadrze z wodą końcówkę z filtrem rurki zasysającej.

UWAGA: Rurki zasysającej nie należy zginać. Należy się zawsze upewnić, że woda swobodnie przepływa przez rurkę.

5. Zainstalować akumulator i zamknąć pokrywę komory akumulatora.
6. Nacisnąć przycisk zasilania, aby włączyć wentylator.
7. Nacisnąć przycisk trybu mgiełki, aby rozpocząć wytwarzanie mgiełki:
 - Nacisnąć jeden raz przycisk wyboru trybu mgiełki, na wskaźniku mgiełki zapalą się dwie zielone kontrolki, co oznacza tryb mgiełki „ciągłej” – wytwarzanie mgiełki przez cały czas bez przerwy.

UWAGA: Za pierwszym razem, zanim użytkownik faktycznie zobaczy mgiełkę wydobywającą się z dysz do wytwarzania mgiełki, może minąć około 15 sekund. Opóźnienie to wynika z czasu potrzebnego na przepływ wody z wiadra do dysz.

- Ponownie naciśnij przycisk wyboru trybu mgiełki, na wskaźniku mgiełki zapali się jedna zielona kontrolka, co oznacza tryb mgiełki „przerywanej” – wytwarzanie mgiełki przez 5s co 10s.

- Gdy wytwarzania mgiełki odbywa się w sposób przerywany, ponowne wciśnięcie przycisku wyboru trybu mgiełki powoduje, że kontrolki mgiełki gasną, a wytwarzania mgiełki zostaje zatrzymane.

UWAGA: Po zakończeniu wytwarzania mgiełki należy wyjąć rękę zasysającą z wody i włączyć wentylator w trybie mgiełki, aż do usunięcia z rurki wszelkich resztek wody. Dzięki temu resztki wody w rurce nie będą powodowały nieoczekiwanego wytwarzania mgiełki po ponownym włączeniu wentylatora.

UŻYWANIE WENTYLATORA BEZ MGIEŁKI

W razie potrzeby urządzenie może być używane wyłącznie jako wentylator, bez podłączania go do źródła wody. Aby chronić rękę zasysającą przed uszkodzeniem i zanieczyszczeniem, gdy rurka nie jest używana, powinna się ona zawsze znajdować w przeznaczonym na nią miejscu (Patrz rozdział „PRZECHEOWYWANIE” w niniejszej instrukcji).

ZABEZPIECZENIE WEWNĘTRZNE

Gdy funkcja mgiełki jest włączona, ale z urządzenia nie wydobywa się mgiełka z pary wodnej:

- Pompa wody będzie pracowała przez krótką chwilę, a następnie wyłączy się automatycznie, aby chronić wewnętrzne podzespoły elektroniczne.
- W zależności od trybu wytwarzania mgiełki, na wskaźniku mgiełki na chwilę zapalą się na zielono jedna lub dwie kontrolki, po czym zaczną one w sposób ciągły migać na zielono jako ostrzeżenie dla operatora:
 - a. Należy sprawdzić, czy rurka zasysająca jest właściwie zanurzona w wodzie.
 - b. Sprawdzić, czy dysze mgiełki nie są zapchane i przeczyścić je zgodnie z opisem podanym w rozdziale „KONSERWACJA DYSZ”.
 - c. Aby ponownie włączyć mgiełkę, nacisnąć przycisk wyboru trybu mgiełki.

KONSERWACJA

⚠ OSTRZEŻENIE: Do serwisowania należy używać wyłącznie części zamiennych identycznych z oryginalnymi. Używanie jakichkolwiek innych części stwarza ryzyko i może spowodować usterkę produktu. Aby zagwarantować bezpieczeństwo i niezawodność, wszystkie naprawy powinny być wykonywane przez wykwalifikowanych techników serwisu.

⚠ OSTRZEŻENIE: Aby uniknąć poważnych obrażeń ciała, na czas czyszczenia lub wykonywania prac konserwacyjnych zawsze wyjmować z urządzenia akumulator.

KONSERWACJA OGÓLNA

Podczas czyszczenia części plastikowych należy unikać używania rozpuszczalników. Pod wpływem kontaktu z różnego rodzaju rozpuszczalnikami dostępnymi w handlu większość tworzyw może ulec uszkodzeniu. Do usuwania zabrudzeń, kurzu, oleju, smaru itp. należy używać czystych ściereczek.

⚠ OSTRZEŻENIE: Nigdy nie należy dopuszczać do zetknięcia się części plastikowych z substancjami takimi jak płyn hamulcowy, benzyna, produkty ropopochodne, oleje penetrujące itp. Substancje chemiczne mogą uszkodzić, osłabić lub zniszczyć tworzywa, co może w konsekwencji spowodować poważne obrażenia.

KONSERWACJA DYSZ (Rys. G)

⚠ OSTRZEŻENIE: Aby zapobiec wyciekom wody, należy pilnować, aby wszystkie czynności konserwacyjne przy dyszach wytwarzających mgiełkę były wykonywane prawidłowo. Nieszczelności mogą spowodować, że powierzchnia wokół urządzenia będzie śliska, co stwarza ryzyko poślizgnięcia się, upadku lub szkód materialnych.

W celu przetkania dysz należy

1. Wyłączyć wentylator i wyjąć akumulator.
2. Aby wyjąć zatłakane mosiężne dysze do wytwarzania mgiełki, wykręcić je W LEWO (przeciwnie do kierunku ruchu wskazówek zegara).
3. Każdą niesprawną dyszę należy rozebrać na części.
4. **Aby usunąć wszelkie obce cząstki** zatykające dysze lub ograniczające ich działanie, należy przepłukać części dysz wodą. **Aby usunąć nagromadzony kamień (mineralny)**, należy w razie potrzeby przeczyścić części dyszy białym octem lub innym środkiem usuwającym kamień.
5. Ponownie zamontować dysze.

UWAGA: Aby zapobiec zatkaniami się, należy pilnować, aby dysza była zmontowana dokładnie tak, jak pokazano na Rys. G.

6. Ponownie zamontować czyste dysze.

KONSERWACJA FILTRA (Rys. H)

Aby mieć pewność, że filtr na końcu rurki zasysającej jest w dobrym stanie, należy go okresowo kontrolować.

1. Zdjąć filtr z rurki zasysającej.
2. Rozkręcić filtr na części i wyjąć wkład z gąbki.
3. Wyplukać wkład z gąbki lub w razie potrzeby wymienić go na nowy.

4. Ponownie zmontować filtr i założyć go na rurce zasysającej.

Rys. H – opis części patrz poniżej

H-1	Filtr	H-3	Wkład z gąbki
H-2	Część górna	H-4	Część dolna

KONSERWACJA OBUDOWY WENTYLATORA (Rys. I1 i Rys. I2)

⚠️ OSTRZEŻENIE: Przed zdjęciem osłony należy się upewnić, że z urządzenia zostały wyjęte akumulatory.

1. Odkręcić i wyjąć sześć śrub, aby CZĘŚCIOWO podnieść przednią osłonę/kratkę z obudowy wentylatora.

⚠️ OSTROŻNIE: Aby zapobiec uszkodzeniom, nie należy całkowicie zdejmować przedniej osłony/kratki zanim NAJPIERW nie odłączy się rurki zasysającej.

2. Naciśnąć czarną gumę na końcu nakrętki, aby wyciągnąć rurkę zasysającą.
3. Całkowicie zdjąć przednią osłonę/kratkę.
4. Przekręcić w prawo (zgodnie z kierunkiem ruchu wskazówek zegara) nakładkę blokującą łopatkę wentylatora, aby zdjąć łopatkę wentylatora z wałka.
5. Zdjąć łopatkę wentylatora.
6. W razie potrzeby wyczyścić łopatkę wentylatora oraz wnętrze obudowy.
7. Montaż wykonać w odwrotnej kolejności. Upewnić się, że:
 - rurka zasysająca jest prawidłowo połączona z nakrętką.
 - rurka zasysająca jest prawidłowo włożona do szczeliny w osłonie/kratce.

Rys. I1 i I2 – opis części patrz poniżej

I1-1	Przednia osłona/kratka	I1-4	Czarna guma
I1-2	Śruba (6)	I1-5	Rurka zasysająca
I1-3	Nakrętka	I2-1	Nakładka blokująca
I2-2	Śmigło wentylatora		

TRANSPORT

- Wentylator jest wyposażony w uchwyt górny służący do przenoszenia go na niewielkie odległości lub do pokonywania nierówności powierzchni/terenu.

- Do transportu na duże odległości należy używać uchwytu teleskopowego, za pomocą którego wentylator można toczyć. Za pomocą uchwytu górnego należy nachylić wentylator, a następnie wysunąć uchwyt teleskopowy, aż da się słyszeć „kliknięcie”. Gdy uchwyt teleskopowy nie jest używany, należy go złożyć i schować w narzędziu (rys. J).

PRZECHOWYWANIE

1. Wyjąć akumulator.
2. Dokładnie wyczyścić wentylator.
3. Opróżnić rurkę zasysającą i filtr.
4. Umieścić rurkę zasysającą w jednej z pozycji przechowywania z tyłu wentylatora (Rys. K1 & Rys. K2).
5. Wentylator należy przechowywać w suchym, dobrze wentylowanym miejscu niedostępnym dla dzieci. Wentylatora nie należy przechowywać na nawozach lub w ich pobliżu, to samo dotyczy benzyny oraz innych substancji chemicznych.

OCHRONA ŚRODOWISKA



Urządzeń elektrycznych, zużytych akumulatorów i ładowarki nie należy wyrzucać do zwykłych zmieszanych śmieci domowych! Produkt należy oddać do zbiórki selektywnej w autoryzowanym punkcie recyklingu. Elektronarzędzia należy oddawać do przyjaznego dla środowiska zakładu recyklingu.

ROZWIĄZYWANIE PROBLEMÓW

PROBLEM	PRZYCZYNA	ROZWIĄZANIE
Narzędzie nie działa	<ul style="list-style-type: none"> ■ Niski stan naładowania akumulatora. ■ Akumulator lub wentylator jest zbyt gorący. 	<ul style="list-style-type: none"> ■ Naładować akumulator. ■ Wyłączyć wentylator i pozwolić, aby wentylator i akumulator ostygły.
Brak wody do wytwarzania mgiełki, wskaźnik mgiełki miga dwiema zielonymi kontrolkami.	<ul style="list-style-type: none"> ■ Rurka zasysająca nie zasysa wody, co powoduje uruchomienie wewnętrznego zabezpieczenia pompy wodny w narzędziu. ■ Dysze wytwarzające mgiełkę zatkały się podczas pracy, powodując uruchomienie wewnętrznego zabezpieczenia pompy wodny w narzędziu. 	<ul style="list-style-type: none"> ■ Sprawdzić czy w wiadrze jest wystarczająca ilość wody i upewnić się, że rurka zasysająca jest prawidłowo zanurzona w wodzie. ■ Wyczyścić dysze zgodnie z opisem podanym w rozdziale „KONSERWACJA DYSZ” i ponownie zamontować je zgodnie z instrukcją.
Wyciekanie wody po konserwacji obudowy wentylatora.	<ul style="list-style-type: none"> ■ Niespodziewanie obluźowała się nakrętka łącząca z rurką zasysającą. 	<ul style="list-style-type: none"> ■ Otworzyć obudowę wentylatora zgodnie z rozdziałem „KONSERWACJA OBUDOWY WENTYLATORA”. Sprawdzić nakrętkę i upewnić się, że jest ona całkowicie dokręcona.

PL

GWARANCJA

POLITYKA GWARANCYJNA EGO

W celu zapoznania się z wszystkimi warunkami polityki gwarancyjnej EGO prosimy odwiedzić stronę egopowerplus.com.

PŘEČTĚTE SI VŠECHNY POKYNY!



PŘEČTĚTE SI NÁVOD K OBSLUZE

VAROVÁNÍ: Z důvodu bezpečnosti by měl všechny opravy a výměny provádět kvalifikovaný servisní technik.

BEZPEČNOSTNÍ SYMBOLY

Účelem bezpečnostních symbolů je upoutat vaši pozornost k případným nebezpečím. Bezpečnostní symboly a jejich vysvětlení vyžadují vaši zvýšenou pozornost a porozumění. Výstražné symboly samy o sobě nevylučují žádné nebezpečí. Pokyny a varování nejsou náhradou vhodných opatření pro prevenci úrazů.

VAROVÁNÍ: Před použitím tohoto stroje si přečtěte a seznamte se se všemi bezpečnostními pokyny v tomto návodu k obsluze včetně veškerých výstražných symbolů jako např. „**NEBEZPEČÍ**“, „**VAROVÁNÍ**“ a „**UPOZORNĚNÍ**“. Nedodržení níže uvedených pokynů může mít za následek úraz elektrickým proudem, požár a/nebo vážná zranění osob.

CZ

	Bezpečnostní upozornění	Bezpečnostní opatření týkající se vaší bezpečnosti
	Přečtěte si návod k obsluze a porozumějte mu.	Z důvodu snížení nebezpečí úrazu si musí uživatel před použitím tohoto výrobku přečíst návod k obsluze a porozumět mu.
	Dešřový stav	Nevystavujte dešti.
	CE	Tento výrobek je v souladu s platnými směrnici ES.
	UKCA	Tento výrobek je v souladu s platnými předpisy ve Spojeném království.

	WEEE	Odpadní elektrické výrobky se nesmí likvidovat s domovním odpadem. Odevzdejte je do autorizovaného recyklačního střediska.
IPX4	Stupeň ochrany před vniknutím	Ochrana před stříkající vodou
	Stejnoseměrný proud	Druh nebo charakteristika proudu
V	Volt	Napětí
cm	Centimetr	Délka nebo velikost
m/s	Metřů za sekundu	Rychlost
l/h	Litr za hodinu	Průtok
°C	Celsius	Teplota
kg	Kilogram	Hmotnost

OBCENÁ BEZPEČNOSTNÍ UPOZORNĚNÍ

VAROVÁNÍ: Pro snížení rizika vzniku požáru, úrazu elektrickým proudem, nebo úrazu:

- Seznamte se s vaším zamlžovacím ventilátorem. **Pečlivě si přečtěte návod k obsluze. Seznamte se s použitím ventilátoru, omezeními a také s konkrétním potenciálním nebezpečím ve vztahu k ventilátoru.** Dodržování této zásady sníží riziko úrazu elektrickým proudem, vzniku požáru nebo vážného úrazu.
- Zařízení není určeno pro používání osobami (včetně dětí) s omezenými fyzickými, smyslovými nebo duševními schopnostmi nebo nedostatkem zkušeností a znalostí, pokud tyto osoby nejsou pod dohledem nebo nejsou řádně poučeny odpovědnou osobou o bezpečném používání zařízení.
- Děti musí být pod dozorem, aby si s výrobkem nehrály.

BEZPEČNOST NA PRACOVÍŠTI

- Ventilátor neprovazujte ve výbušném prostředí, jako například s výskytem hořlavých kapalin, plynů nebo prachu.
- Při práci se zařízením udržujte děti a přihlízející osoby v bezpečné vzdálenosti. Nesoustředěnost může způsobit ztrátu kontroly.
- Při použití ve větrných podmínkách buďte opatrní. Vítr může přenášet zamlžení do elektrického vedení nebo zařízení.
- Nevystavujte zařízení dešti nebo mokru. Vniknutí vody do zařízení zvyšuje riziko úrazu elektrickým proudem.

BEZPEČNOST OSOB

- Při práci se zařízením buďte stále pozorní, sledujte, co děláte a používejte zdravý rozum. Zařízení nepoužívejte, jste-li unavení, pod vlivem návykových látek, alkoholu nebo léků. Jediná chvilka nepozornosti při práci se zařízením může mít za následek vážný úraz.
- Zabraňte náhodnému spuštění. Před připojením k akumulátoru, zvednutím nebo přenášením zařízení se ujistěte, že spínač je ve vypnuté poloze. Přenášení zařízení s prstem na spínači nebo zapojování zařízení, které má zapnutý spínač, může snadno způsobit nehodu či úraz.
- Před zapnutím zařízení odstraňte seřizovací klíče nebo nářadí. Nářadí nebo klíč, který zůstane upevněn k otáčející se části zařízení, může způsobit zranění.
- Nepřeceňujte své síly. Vždy udržujte pevný postoj a rovnováhu. To umožní lepší ovládání zařízení v nečekaných situacích.
- Používejte vhodný oděv. Nenoste volný oděv ani šperky. Udržujte své vlasy a oblečení mimo dosah pohyblivých částí. Volný oděv, šperky nebo dlouhé vlasy se mohou zachytit do pohyblivých dílů.
- Před spuštěním zařízení ověřte, zda jsou všechna připojení zabezpečena.
- Nedovoľte, abyste se po získání zkušeností častým používáním zařízení stali nebezpečnými a ignorovali zásady bezpečnosti. Nedbalá činnost může způsobit vážné zranění za zlomek sekundy.

POUŽITÍ A PÉČE

- Nepoužívejte zařízení v případě, že vypínač nefunguje. Zařízení, které nelze ovládat spínačem, je nebezpečné a musí se opravit.

- Před prováděním úprav, výměnou příslušenství nebo uskladněním vyjměte ze zařízení akumulátor. Tato preventivní opatření sníží riziko neúmyslného spuštění zařízení.
- Nečinné zařízení skladujte mimo dosah dětí a nedovoľte osobám, které nejsou obeznámeny se zařízením nebo s těmito pokyny, aby jej obsluhovaly. Zařízení je v rukou nekvifikované obsluhy nebezpečné.
- Provádějte údržbu zařízení a příslušenství. Kontrolujte případnou nesouosost nebo ohyb pohyblivých částí, narušení dílů a ostatní podmínky, které mohou ovlivnit provoz zařízení. Pokud je zařízení poškozeno, nechte jej před použitím opravit. Mnoho nehod a úrazů je způsobeno nedostatečně udržovaným zařízením.
- Používejte zařízení, příslušenství atd. v souladu s těmito pokyny s přihlédnutím k pracovním podmínkám a práci, která má být provedena. Použití zařízení na činnosti jiné, než je určující použití, může vést k nebezpečným situacím.
- Udržujte rukojeti a uchopovací plochy suché, čisté, bez oleje a maziva. Kluzké rukojeti a plochy pro uchopení neumožňují bezpečnou manipulaci s nářadím a jeho ovládání v nečekaných situacích.

VAROVÁNÍ: Aby se snížilo riziko požáru nebo úrazu elektrickým proudem, nepoužívejte tento ventilátor s žádným polovodičovým zařízením pro regulaci otáček.

POUŽITÍ A PÉČE O AKUMULÁTOROVÉ NÁŘADÍ

- K nabíjení používejte pouze nabíječku doporučenou výrobcem. Nabíječka vhodná pro jeden typ akumulátoru může způsobit riziko požáru při použití s jiným akumulátorem.
- Zařízení používejte pouze se specifikovanými akumulátory. Použití jiných akumulátorů může způsobit riziko úrazu a požáru.
- Pokud akumulátor nepoužíváte, držte jej z dosahu kovových předmětů, jako jsou kancelářské sponky na papír, mince, klíče, hřebíky, šroubky nebo další drobné kovové předměty, které mohou propojit kontakty baterie. Zkratování kontaktů baterie může způsobit spálení nebo požár.
- V nevhodných podmínkách může z baterie unikat kapalina. Zabraňte kontaktu. Při náhodném kontaktu opláchněte zasažené místo vodou. Při zasažení očí kapalinou vyhledejte lékařskou pomoc. Unikající kapalina z akumulátoru může způsobit podráždění pokožky nebo popálení.

GZ

- **Nepoužívejte akumulátor nebo přístroj, který je poškozený nebo upravený.** Poškozené nebo upravené akumulátory se mohou chovat nepředvídatelně, což může vést k požáru, výbuchu nebo nebezpečí zranění.
- **Akumulátor ani spotřebič nevystavujte působení ohně nebo příliš vysoké teploty.** Při vystavení ohni nebo teplotě nad 130°C může dojít k výbuchu.
- **Dodržujte všechny pokyny pro nabíjení a akumulátor nebo zařízení nenabíjejte mimo rozsah teplot uvedených v pokynech.** Nesprávné nabíjení nebo nabíjení při teplotách mimo stanovený rozsah může poškodit akumulátor a zvýšit riziko požáru.

SERVIS

- **Servis vašeho zařízení svěřte kvalifikovanému opraváři, který používá pouze originální náhradní díly.** Tím zajistíte bezpečnost zařízení.
- **Nikdy neopravujte poškozené akumulátory.** Servis akumulátorů může provádět pouze výrobce nebo autorizovaní poskytovatelé služeb.

BEZPEČNOSTNÍ POKYNY PRO AKUMULÁTOROVÝ ZAMLŽOVACÍ VENTILÁTOR

CZ

- **Nedovolte, aby byl ventilátor použit jako hračka.** Děti mohou zařízení používat pouze pod dohledem dospělé osoby.
- **Děti mohou spadnout do kbelíků a utopit se.** Udržujte děti mimo dosah kbelíků i s malým množstvím tekutiny.
- **Používejte POUZE čistou, studenou vodu.**
- **Nepoužívejte tento zamlžovací ventilátor k postřiku pesticidy, kapalnými hnojivy, chemikáliemi nebo jinými kapalinami než čistou vodou.** Aplikace těchto látek může vést k vážnému úrazu obsluhy nebo dalších osob.
- **Nikdy nesměřujte mlhu ani vodu na elektrické vedení nebo zařízení.**
- **Ujistěte se, že kryt prostoru pro baterie je zcela uzavřen, aby se zabránilo kontaktu vody s akumulátorem nebo vstupu do portu baterie.**
- **Spotřebič a jeho rukojeť udržujte suché, čisté, bez oleje a maziva. Při čištění vždy používejte čistý hadr.** K čištění ventilátoru nikdy nepoužívejte brzdové kapaliny, benzin, produkty na bázi ropy nebo silná rozpouštědla. Dodržování této zásady sníží riziko ztráty kontroly a poškození plastového krytu.


- **V přítomnosti zdroje vznícení, jako je např. hořák, mohou akumulátory vybuchnout. Z důvodu snížení rizika vážného úrazu nikdy nepoužívejte akumulátorové výrobky v přítomnosti otevřeného ohně. Akumulátor, který vybuchne, může vyvrstít úlomky nebo chemické látky.** V případě zasažení okamžitě postižené místo omyjte vodou.
- **Tyto pokyny uchovejte pro budoucí použití.** Používejte je často, také pro poučení dalších osob, které mohou tento ventilátor používat. Pokud ventilátor někomu půjčujete, půjčte mu také tento návod k obsluze, aby nedošlo k nesprávnému použití výrobku nebo případně k úrazu.
- Uvědomte si, že vysoká vlhkost může podporovat růst biologických organismů v prostředí.
- Nedovolte, aby oblast kolem zamlžovacího ventilátoru byla vlhká nebo mokrá. Pokud dojde k vlhkosti, snižte výstup zamlžovacího ventilátoru. Pokud výstup zamlžovacího ventilátoru nelze snížit, použijte zvlhčovač přerušovaně. Nedovolte, aby absorpční materiály, jako jsou koberec, záclony, závěsy nebo ubrusy, byly vlhké.
- Nikdy nenechávejte vodu v nádrži, když se spotřebič nepoužívá.
- Před skladováním vyprázdněte a vyčistěte zamlžovací ventilátor. Před dalším použitím zvlhčovač vyčistěte.

VAROVÁNÍ: Mikroorganismy, které mohou být přítomny ve vodě nebo v prostředí, kde je spotřebič používán nebo skladován, mohou růst ve vodní nádrži a být vyfukovány do vzduchu, což způsobuje velmi vážná zdravotní rizika, pokud voda není vyměněna a nádrž není řádně vyčištěna každé 3 dny.

- Dobbíjecí baterie musí být před nabíjením ze spotřebiče vyjmuty
- Vybité baterie musí být vyjmuty ze spotřebiče a bezpečně zlikvidovány
- Pokud má být spotřebič skladován po delší dobu bez používání, je třeba baterie vyjmout.
- Napájecí svorky nesmí být zkratovány.

USCHOVEJTE SI TYTO POKYNY

TECHNICKÉ ÚDAJE

Napětí	56 V 
Průměr lopatky ventilátoru	45,7 cm
Nastavení rychlosti ventilátoru	6 (včetně „Turbo“)

Max. Objem vzduchu	7000 m ³ /h
Max. Rychlost vzduchu	10,3 m/s
Objem zamlžovací vody	I: 4,5 l/h
	II: 11,4 l/h
Doporučená skladovací teplota	- 20°C - 70°C
Hmotnost (bez akumulátoru)	10,4 kg

12. Kontrolka rychlosti vzduchu
13. Kontrolka TURBO
14. Tlačítko TURBO
15. Tlačítko pro nastavení rychlosti vzduchu
16. Tlačítko pro výběr režimu zamlžování
17. Kontrolka zamlžování

OBSAH BALENÍ

NÁZEV DÍLU	MNOŽSTVÍ	
Zamlžovací ventilátor	1	
Sestava kola	Kolo	2
	Kryt náboje	2
	Šroub s podložkou	2
Sestava horní rukojeti	Horní rukojeť	1
	Šroub s podložkou	4
Klíč	1	
Náhradní tryska	1	
Návod k obsluze	1	

POPIS

SEZNAMTE SE S VAŠÍM ZAMLŽOVACÍM VENTILÁTOREM (obr. A a obr. A1)

1. Horní rukojeť
2. Kryt ventilátoru
3. Zajišťovací knoflík krytu ventilátoru
4. Kolo (x2)
5. Zamlžovací tryska (x4)
6. Teleskopická rukojeť
7. Prostor pro baterie
8. Sací trubice
9. Filtr
10. Řídicí rozhraní
11. Hlavní vypínač

MONTÁŽ

VAROVÁNÍ: Pokud jsou některé díly poškozené, nebo chybí, nepoužívejte výrobek, dokud se díly nevymění. Použití tohoto výrobku s poškozenými nebo chybějícími díly může vést k vážnému úrazu.

VAROVÁNÍ: Nepokoušejte se výrobek upravovat ani vytvářet příslušenství, které se k tomuto ventilátoru nedoporučuje. Každá taková změna nebo úprava je nesprávná a může vést k nebezpečné situaci, která může zapříčinit vážný úraz.

VAROVÁNÍ: Pokud provádíte montáž dílů, úpravy, čištění nebo výrobek dlouhodobě nepoužíváte, vždy vyjměte akumulátor. Vyjmutí akumulátoru zabrání neúmyslnému spuštění, které může způsobit vážný úraz.

GZ

MONTÁŽ KOL (obr. B)

1. Vyrovnajte otvor jednoho z kol s nápravou ventilátoru a namontujte kolo na nápravu.
2. Provléknete jeden ze šroubů kola otvorem kola do osy kola a poté utáhněte šroub dodaným klíčem.
3. Přichyťte kryt náboje na kolo.
4. Druhé kolo sestavte podle výše uvedených kroků 1 až 3.

PŘÍPEVNĚNÍ HORNÍ RUKOJETI (obr. C)

1. Vyrovnajte čtyři dodané šrouby s otvory v horní rukojeti a otvory v krytu ventilátoru.
2. Vložte šrouby a poté je utáhněte dodaným klíčem.

Popis dílů na obr. B a C viz níže:

B-1	Kolo (2)	B-3	Šroub s podložkou (2)
B-2	Osa kola (2)	B-4	Kryt náboje (2)
C-1	Horní rukojeť	C-2	Šroub s podložkou (4)
C-3	Otvor pro šroub		

OBSLUHA

⚠ VAROVÁNÍ: Dbejte na to, abyste po seznámení s výrobkem nepřestali být opatrní. Nezapomínejte, že stačí chvíle nepozornosti a může se stát vážný úraz.

⚠ VAROVÁNÍ: Nepoužívejte nástavce nebo příslušenství, které nedoporučuje výrobce tohoto výrobku. Použití nedoporučených nástavců a příslušenství může vést k vážnému úrazu.

Před každým použitím zkontrolujte celý výrobek, zda není poškozen, nechybí nebo nejsou uvolněné žádné díly, jako např. vruty, matice, šrouby, uzávěry atd. Pevně utáhněte všechny upevňovací prvky a uzávěry a výrobek nepoužívejte, pokud se nevymění všechny chybějící nebo poškozené díly.

⚠ VAROVÁNÍ: Pokud provádíte montáž dílů, úpravy, čištění nebo výrobek dlouhodobě nepoužíváte, vždy vyjměte akumulátor. Vyjmutí akumulátoru zabrání neúmyslnému spuštění, které může způsobit vážný úraz.

POUŽITÍ

Výrobek lze použít k následujícím účelům:

- Všeobecné větrání ve většině domácností
- Venkovní chlazení při připojení ke zdroji vody

NASTAVENÍ ÚHLU VENTILÁTORU (obr. D)

1. Uchopte horní rukojeť a držte kryt ventilátoru.
2. Otočením zajišťovacího knoflíku krytu ventilátoru PROTI SMĚRU HODINOVÝCH RUČÍČEK uvolněte nastavitelný kryt ventilátoru.
3. Nakloňte nastavitelný kryt ventilátoru dopředu nebo dozadu do požadovaného úhlu. Ventilátor se může otáčet až o 90° dopředu až o 135° dozadu.
4. Otočte zajišťovacím knoflíkem VE SMĚRU HODINOVÝCH RUČÍČEK, abyste zajistili kryt ventilátoru v požadovaném úhlu.

INSTALACE/VYJMUTÍ AKUMULÁTORU (obr. E)

Používejte pouze EGO akumulátory a nabíječky uvedené na obr. A2.

Před prvním použitím akumulátor plně nabijte.

Instalace

1. Zatažením za kryt bateriového prostoru jej otevřete.
2. Srovnejte žebrování akumulátoru s instalačními

drážkami a zatlačte na akumulátor dokud neuslyšíte „cvaknutí“.

Vyjmutí

1. Stiskněte tlačítko pro uvolnění akumulátoru a vytáhněte jej.
2. Zatlačte na kryt bateriového prostoru a zavřete jej. Ujistěte se, že je zcela uzavřen, aby se zabránilo kontaktu vody s baterií nebo vniknutí vody do portu baterie.

Následuje popis dílů na obr. E:

E-1	Tlačítko pro uvolnění akumulátoru
E-2	Kryt bateriového prostoru

SPUŠTĚNÍ/ZASTAVENÍ ZAMLŽOVACÍHO VENTILÁTORU

POZNÁMKA: Počáteční tovární nastavení rychlosti vzduchu je úroveň 3. Ventilátor uloží poslední použité nastavení rychlosti vzduchu a po restartu se k němu vrátí.

DŮLEŽITÉ: Nastavení turba se neuloží.

POZNÁMKA: Nastavení mížení nebude uloženo a ve výchozím nastavení bude vypnuto při každém zapnutí ventilátoru.

HLAVNÍ VYPÍNAČ

- Krátce stiskněte hlavní vypínač, aby se ventilátor ZAPNUL.
- Opětovným krátkým stisknutím hlavního vypínače ventilátor VYPNETE.

NASTAVENÍ RYCHLOSTI VZDUCHU

Normální rychlost vzduchu

- Stisknutím tlačítka „+“ zvýšíte rychlost vzduchu a stisknutím tlačítka „-“ snížíte rychlost vzduchu. K dispozici je 5 úrovní rychlosti.
- Kontrolka rychlosti vzduchu zobrazuje zelená světla odpovídající aktuálním úrovním rychlosti.

Režim TURBO

- Stiskněte tlačítko „TURBO“, kontrolka TURBO se rozsvítí zeleně a ventilátor se přepne do režimu „TURBO“, tj. nejvyšší rychlost vzduchu.
- V režimu „TURBO“ znovu stiskněte tlačítko „TURBO“, kontrolka TURBO se vypne a ventilátor obnoví předchozí aktivní rychlost vzduchu.

- V režimu „TURBO“ stisknete tlačítko „-“, kontrolka TURBO se vypne a ventilátor se přepne na úroveň rychlosti vzduchu 5.

FUNKCE ZAMLŽOVÁNÍ

POUŽITÍ VENTILÁTORU S KBELÍKEM NA VODU (NENÍ SOUČÁSTÍ BALENÍ) (obr. F)

⚠ VAROVÁNÍ: Děti mohou spadnout do kbelíků a utopit se. Udržujte děti mimo dosah kbelíků obsahujících i malé množství tekutiny.

POZNÁMKA: Před každým použitím vyčistěte kbelík mýdlem a vodou.

1. Odpojte akumulátor.
2. Umístěte kbelík na rovný a plochý povrch.
3. Do kbelíku přidejte POUZE čistou, studenou vodu. Nepřeplňujte.
4. Ponořte filtrační konec sací trubice dolů do kbelíku na vodu.

POZNÁMKA: Neohýbejte sací trubici a vždy se ujistěte, že voda proudí trubici hladce.

5. Připojte akumulátor a zavřete kryt bateriového prostoru.
6. Stisknutím hlavního vypínače zapněte ventilátor.
7. Stisknutím tlačítka pro výběr režimu zamlžování zahájíte zamlžování:
 - Stisknete jednu tlačítko pro výběr režimu zamlžování a kontrolka zamlžování rozsvítí dvě zelená světla, která indikují režim „nepřetržitého“ zamlžování - zamlžování po celou dobu bez zastavení.

POZNÁMKA: Může to trvat asi 15 sekund, než skutečně uvidíte mlhu vycházející ze zamlžovacích trysek poprvé. Toto zpoždění je způsobeno časem potřebným k tomu, aby voda proudila z kbelíku na vodu do trysek.

- Znovu stisknete tlačítko pro výběr režimu zamlžování a kontrolka zamlžování rozsvítí jedno zelené světlo, které indikuje režim „přerušovaného“ zamlžování - zamlžování po dobu 5 s každých 10 s.
- Když je tvoření mlhy v přerušovaném režimu, stisknete znovu tlačítko pro výběr režimu zamlžování a kontrolky zamlžování zhasnou a tvorba mlhy se zastaví.

POZNÁMKA: Po dokončení zamlžování vytáhněte sací trubici z vody a spusťte ventilátor v zamlžovacím režimu,

dokud se z trubice neodstraní veškerá voda. To pomáhá zabránit tomu, aby zbytková voda v trubici způsobila neočekávané zamlžení při opětovném spuštění ventilátoru.

POUŽÍVÁNÍ VENTILÁTORU BEZ ZAMLŽOVÁNÍ

V případě potřeby lze tento výrobek použít pouze jako ventilátor, pokud není připojen ke zdroji vody. Pokud ji nepoužíváte, vždy umístěte sací trubici do jejího úložného prostoru (viz část „SKLADOVÁNÍ“ v této příručce), abyste ji ochránili před poškozením a kontaminací.

VNITŘNÍ OCHRANA

Když je funkce zamlžování aktivována, ale netoří se žádná vodní mlha:

- Vodní čerpadlo bude na krátkou dobu běžet a poté se automaticky zastaví, aby chránilo vnitřní elektroniku.
- V závislosti na režimu mlhy kontrolka mlhy na krátkou dobu zobrazí jedno nebo dvě plně zelené kontrolky a poté nepřetržitě bliká zelená světla jako upozornění pro obsluhu, aby:
 - a. Zkontrolujete, zda je sací trubice správně ponořena do vody.
 - b. Zkontrolujete, zda není zamlžovací tryska ucpaná, a provedete vyčištění podle kapitoly „ÚDRŽBA TRYSKY“.
 - c. Stisknutím tlačítka pro výběr režimu zamlžování znovu spustíte zamlžování.

GZ

ÚDRŽBA

⚠ VAROVÁNÍ: Při opravách použijte pouze originální náhradní díly. Použití jiných dílů může představovat riziko nebo může způsobit poškození výrobku. Z důvodu zajištění bezpečnosti a spolehlivosti musí všechny opravy provádět kvalifikovaný servisní technik.

⚠ VAROVÁNÍ: Aby nedošlo k vážnému úrazu, vždy při čištění nebo jiné údržbě vyjměte z výrobku akumulátor.

CELKOVÁ ÚDRŽBA

K čištění plastových dílů nepoužívejte rozpouštědla. Většina plastů je náchylná k poškození různými typy komerčních rozpouštědel a jejich použití je může poškodit. K odstranění nečistot, prachu, oleje, maziva atd. použijte čistý hadr.

⚠ VAROVÁNÍ: Dbejte na to, aby nikdy nedošlo ke styku plastových částí s brzdovými kapalinami, benzinem, ropnými produkty, penetračními oleji atd. Chemické látky mohou poškodit, zeslabit nebo poškodit plast, což může vést k vážnému úrazu.

ÚDRŽBA TRYSEK (obr. G)

VAROVÁNÍ: Ujistěte se, že veškerá údržba zamlžovací trysky je prováděna správně, aby se zabránilo úniku vody. Netěsnosti mohou mít za následek kluzký povrch, který vytváří nebezpečí uklouznutí a pádu nebo způsobuje škody na majetku.

Chcete-li vyčistit trysky

1. Vypněte ventilátor a vyjměte akumulátor.
2. Ucpané mosazné zamlžovací trysky odstraňte jejich otáčením PROTI SMĚRU HODINOVÝCH RUČÍČEK.
3. Každou ucpanou trysku rozeberte na části.
4. **Chcete-li odstranit veškeré cizí částice, které ucpávají nebo omezují trysky, vypláchněte části trysky vodou. Chcete-li odstranit nahromadění vodního kamene, vyčistěte části trysky bílým octem nebo jiným odvápnovacím prostředkem podle potřeby.**
5. Znovu sestavte trysky.

POZNÁMKA: Abyste zabránili ucpání, ujistěte se, že tryska je sestavena přesně tak, jak je znázorněno na obr. G.

6. Znovu nasadte čisté trysky.

ÚDRŽBA FILTRU (obr. H)

Pravidelně kontrolujte filtr na konci sací trubice, abyste se ujistili, že je v dobrém stavu.

1. Vytáhněte filtr ze sací trubice.
2. Odšroubujte filtr na části a vyjměte houbovou síťovinu.
3. Opláchněte houbovou síťovinu nebo ji v případě potřeby vyměňte.
4. Znovu sestavte filtr a připojte jej k sací trubici.

Následuje popis dílů na obr. H:

H-1	Filtr	H-3	Houbová síťovina
H-2	Horní část	H-4	Spodní část

ÚDRŽBA KRYTU VENTILÁTORU (obr. I1 a obr. I2)

VAROVÁNÍ: Před sejmutím ochranného krytu se ujistěte, že jsou z přístroje odstraněny akumulátory.

1. Uvolněte a vyjměte šest šroubů, abyste ČÁSTEČNĚ zvedli kryt přední mřížky z krytu ventilátoru.

UPOZORNĚNÍ: Aby nedošlo k poškození, neodstraňujte kryt přední mřížky zcela bez odpojení sací trubice.

2. Stlačením černé gumy na konci matice vytáhněte sací trubici.
3. Zcela sejměte kryt přední mřížky.
4. Otočením krytky lopatky ventilátoru ve směru hodinových ručiček uvolněte lopatku ventilátoru z hřídele.
5. Vyjměte lopatku ventilátoru.
6. Podle potřeby vyčistěte lopatku ventilátoru a vnitřek krytu.
7. Znovu je sestavte v opačném pořadí a ujistěte se, že:
 - sací trubice je správně připojena k matici.
 - sací trubka je správně umístěna do štěrbiny na krytu grilu.

Popis dílů na obr. I1 a I2 viz níže

I1-1	Kryt přední mřížky	I1-4	Černá guma
I1-2	Šroub (6)	I1-5	Sací trubice
I1-3	Matice	I2-1	Krytka
I2-2	Lopatka ventilátoru		

PŘEPRAVA

- Ventilátor je vybaven horní rukojetí pro přenášení ventilátoru na krátké vzdálenosti nebo přejezdu po nerovném povrchu/terénu.
- Pro přepravu na dlouhé vzdálenosti použijte k posunu ventilátoru teleskopickou rukojeť. Pomocí horní rukojeti nakloňte ventilátor a poté vytáhněte teleskopickou rukojeť, dokud neuslyšíte „cvaknutí“. Pokud se teleskopická rukojeť nepoužívá, zatlačte ji do nástroje (obr. J).

SKLADOVÁNÍ

1. Vyjměte akumulátor.
2. Ventilátor důkladně vyčistěte.
3. Vyprázdněte sací trubici a filtr.
4. Umístěte sací trubici do kterékoliv úložné polohy umístěné na zadní straně ventilátoru (obr. K1 a obr. K2).
5. Ventilátor skladujte na suchém, dobře větraném místě mimo dosah dětí. Ventilátor neskladujte v blízkosti hnojiv, benzínu nebo jiných chemikálií.

OCHRANA ŽIVOTNÍHO PROSTŘEDÍ

Elektrické zařízení, použité baterie a nabíječku nevhazujte do domovního odpadu! Předajte tento výrobek autorizované recyklační společnosti ke tříděnému sběru. Elektrické nářadí musí být vráceno do zařízení pro ekologickou recyklaci.

CZ

ODSTRAŇOVÁNÍ ZÁVAD

PROBLÉM	PŘÍČINA	ŘEŠENÍ
Nástroj nefunguje.	<ul style="list-style-type: none"> ■ Nízká kapacita akumulátoru. ■ Akumulátor nebo ventilátor je příliš horký. 	<ul style="list-style-type: none"> ■ Nabijte akumulátor. ■ Vypněte ventilátor a nechte ventilátor a akumulátor vychladnout.
Nedochází k zamřžování vodou a kontrolka mlhy bliká dvěma zelenými světly.	<ul style="list-style-type: none"> ■ Sací trubice neodsává žádnou vodu a aktivuje se vnitřní ochrana vodního čerpadla uvnitř nástroje. ■ Zamřžovací trysky se během provozu ucply, čímž se aktivovala vnitřní ochrana vodního čerpadla. 	<ul style="list-style-type: none"> ■ Zkontrolujte a ujistěte se, že je v kbelíku dostatek vody a sací trubice je řádně ponořena do vody. ■ Vyčistěte trysky podle kapitoly „ÚDRŽBA TRYSEK“ a znovu je sestavte podle pokynů.
K úniku vody dochází po údržbě krytu ventilátoru.	<ul style="list-style-type: none"> ■ Matice spojující sací trubici se nečekaně uvolnila. 	<ul style="list-style-type: none"> ■ Otevřete kryt ventilátoru podle kapitoly „ÚDRŽBA KRYTU VENTILÁTORU“. Zkontrolujte a ujistěte se, že je matice plně utažena.

ZÁRUKA

CZ

ZÁRUKA SPOLEČNOSTI EGO

Úplné záruční podmínky společnosti EGO naleznete na webové stránce egopowerplus.com.

PREČÍTAJTE SI VŠETKY POKYNY!



PREČÍTAJTE SI NÁVOD NA OBSLUHU

VAROVANIE: Pre zaistenie bezpečnosti a spoľahlivosti je nevyhnutné, aby všetky opravy a výmeny vykonával len kvalifikovaný servisný technik.

BEZPEČNOSTNÉ SYMBOLY

Účelom bezpečnostných symbolov je upozorniť na možné nebezpečenstvá. Venujte príslušnú pozornosť a pochopte bezpečnostné symboly a ich vysvetlenia. Varovné symboly, samy o sebe, nedokážu eliminovať nebezpečenstvo.

Pokyny a varovania, ktoré obsahujú, nie sú náhradou za vhodné opatrenia na prevenciu úrazov.

VAROVANIE: Pred použitím tohto nástroja si prečítajte a pochopte všetky bezpečnostné pokyny v tomto návode na obsluhu, vrátane všetkých bezpečnostných výstražných symbolov, ako sú „NEBEZPEČENSTVO“, „VAROVANIE“ a „UPOZORNENIE“. Nedodržanie nižšie uvedených pokynov môže mať za následok úraz elektrickým prúdom, požiar a/alebo vážne zranenie.

	Bezpečnostné upozornenie	Opatrenia, ktoré sa týkajú vašej bezpečnosti
	Prečítajte si a pochopte návod na obsluhu.	Ak chcete znížiť riziko zranenia, používateľ musí pred použitím tohto výrobku prečítať a pochopiť návod na obsluhu.
	Dažďový stav	Nevystavujte dažďu.
	CE	Tento výrobok je v súlade s platnými smernicami ES.
	UKCA	Tento výrobok je v súlade s platnou legislatívou Spojeného kráľovstva.

	WEEE	Odpadové elektrické výrobky sa nesmú likvidovať spolu s domovým odpadom. Odovzdajte do autorizovaného recyklačného strediska.
IPX4	Stupeň ochrany pred vniknutím	Ochrana pred striekajúcou vodou
	Jednosmerný prúd	Typ alebo charakteristika prúdu
V	Volt	Napätie
cm	Centimeter	Dĺžka alebo veľkosť
m/s	Metre za sekundu	Rýchlosť
L/h	Liter za hodinu	Prietoková rýchlosť
°C	Celzium	Teplota
kg	Kilogram	Hmotnosť

SK

VŠEOBECNÉ BEZPEČNOSTNÉ UPOZORNENIA

VAROVANIE: Ak chcete znížiť riziko požiaru, úrazu elektrickým prúdom alebo poranenia:

- Zoznámte sa s vaším zahmlievacím ventilátorom.**
 Prečítajte si pozorne návod na použitie. Oboznámte sa s použitím a obmedzeniami ventilátora, rovnako tiež so špecifickými potenciálnymi rizikami, ktoré súvisia s týmto ventilátorom. Dodržiavanie tohto pravidla zníži riziko úrazu elektrickým prúdom, požiaru alebo vážneho úrazu.
- Toto zariadenie nesmú používať osoby (vrátane detí) so zníženými fyzickými, zmyslovými alebo rozumovými schopnosťami, nedostatkom skúseností a znalostí, ak neboli oboznámené s používaním zariadenia alebo nepracujú pod dohľadom osoby zodpovednej za ich bezpečnosť.

- Dozrite na to, aby sa deti so spotrebičom nehrali.

BEZPEČNOSŤ PRACOVISKA

- **Nepoužívajte ventilátor vo výbušnom prostredí, napríklad v prítomnosti horľavých kvapalín, plynov alebo prachu.**
- **Pri používaní spotrebiča udržiavajte deti a okolostojace osoby mimo pracoviska.** Rozptyľovanie pozornosti môže viesť ku strate kontroly.
- **Pri používaní vo veternom počasí buďte opatrní.** Vietor môže zaniest hmlu do elektrických rozvodov alebo zariadení.
- **Spotrebič nevystavujte dažďu ani vlhkosti.** Vniknutie vody do spotrebiča zvyšuje riziko úrazu elektrickým prúdom.

BEZPEČNOSŤ OSÔB

- **Buďte pozorní, sledujte to, čo robíte a používajte zdravý rozum pri práci so spotrebičom.** **Nepoužívajte spotrebič, ak ste unavení, pod vplyvom drog, alkoholu alebo liekov.** Chvilková nepozornosť pri práci so spotrebičom môže mať za následok vážne zranenie.
- **Zabráňte neúmyselnému uvedeniu do prevádzky.** **Pred pripojením akumulátora, pri zdvíhaní alebo prenášaní náradia sa uistite, že prepínač je vo vypnutej polohe.** Prenášanie spotrebiča s prstom na vypínači alebo aktivácia spotrebiča, ktorý má zapnutý vypínač, môže viesť k úrazu.
- **Pred spustením spotrebiča vždy odstráňte nastavovací kľúč alebo náradie.** Kľúč alebo náradie, ktoré necháte pripojené k otáčajúcej sa časti spotrebiča, môže spôsobiť zranenie osôb.
- **Nepreceňujte sa.** Pri práci vždy dodržujte správny postoj a rovnováhu. To umožňuje lepšiu ovládateľnosť spotrebiča v nečakaných situáciách.
- **Noste vhodné oblečenie. Nenoste šperky alebo voľný odev.** Udržujte vlasy a oblečenie mimo dosah pohybujúcich sa častí. Voľný odev, šperky alebo dlhé vlasy môžu byť zachytené pohybujúcimi sa dielmi.
- **Pred spustením spotrebiča skontrolujte, či sú všetky pripojenia bezpečné.**
- **Nedovoľte, aby ste sa po získaní skúseností častým používaním spotrebiča stali neobozretnými a ignorovali zásady bezpečnosti.** Nedbalá činnosť môže spôsobiť vážne zranenie za zlomok sekundy.

SK

POUŽÍVANIE A STAROSTLIVOSŤ

- **Nepoužívajte spotrebič, ak sa nedá zapnúť a vypnúť použitím vypínača.** Spotrebič, ktorý sa nedá ovládať vypínačom, je nebezpečný a musí sa opraviť.
- **Pred akýmkoľvek nastavením, výmenou príslušenstva alebo skladovaním spotrebiča odpojte akumulátor.** Tieto preventívne bezpečnostné opatrenia znižujú riziko náhodného spustenia spotrebiča.
- **Nečinný spotrebič skladujte mimo dosahu detí a nedovoľte osobám, ktoré nie sú oboznámené so spotrebičom alebo s týmto návodom, aby spotrebič obsluhovali.** Spotrebič je nebezpečný v rukách neskúsených používateľov.
- **Vykonať údržbu spotrebiča a príslušenstva.** Skontrolujte nastavenie pohyblivých častí, poškodenie dielov a akékoľvek ďalšie okolnosti, ktoré môžu mať vplyv na funkciu spotrebiča. Ak je spotrebič poškodený, nechajte ho pred použitím opraviť. Veľa úrazov je zapríčinených zle udržiavanými spotrebičmi.
- **Používajte spotrebič, príslušenstvo a pod. podľa týchto pokynov s prihliadnutím na pracovné podmienky a prácu, ktorá má byť vykonaná.** Použitie spotrebiča na iné ako určené účely môže viesť k nebezpečným situáciám.
- **Udržujte rukoväte a uchopovacie plochy suché, čisté, bez oleja a maziva.** Klzké držadlá a uchopovacie plochy neumožňujú bezpečnú manipuláciu s náradím a jeho ovládanie v nečakaných situáciách.

VAROVANIE: Aby ste znížili riziko požiaru alebo úrazu elektrickým prúdom, nepoužívajte tento ventilátor so žiadnym polovodičovým zariadením na reguláciu otáčok.

POUŽÍVANIE A STAROSTLIVOSŤ O AKUMULÁTOROVÝ NÁSTROJ

- **Nabíjajte len pomocou nabíjačky špecifikovanej výrobcom.** Nabíjačka, ktorá je vhodná pre jeden typ akumulátora, môže predstavovať pri nabíjaní iného typu akumulátora nebezpečenstvo.
- **Používajte spotrebič iba s výslovnou určenými akumulátormi.** Použitie iných typov akumulátorov môže spôsobiť riziko úrazu a požiaru.
- **Ak sa akumulátor nepoužíva, držte ho mimo iných kovových predmetov, ako sú sponky, mince, kľúče, klince, skrutkovače alebo iné malé kovové predmety, ktoré by mohli navzájom prepojiť kontakty akumulátora.** Skratovanie kontaktov akumulátora môže spôsobiť popálenie alebo požiar.

- Za nevhodných podmienok môže z akumulátora unikáť kvapalina. Zabráňte kontaktu. Pri náhodnom kontakte opláchnite vodou. Pri zasiahnutí očí vyhľadajte lekársku pomoc. Unikajúca kvapalina z akumulátora môže spôsobiť podráždenie pokožky alebo popáleniny.
- **Nepoužívajte akumulátor alebo nástroj, ktorý je poškodený alebo upravený.** Poškodené alebo upravené akumulátory môžu mať nepredvídateľné chovanie, ktoré môže viesť k požiaru, výbuchu alebo nebezpečenstvu poranenia.
- **Nevystavujte akumulátor ani náradie ohňu alebo nadmernej teplote.** Pri vystavení ohňu alebo teplote nad 130°C môže dôjsť k výbuchu.
- **Dodržujte všetky pokyny pre nabíjanie a nenabíjajte akumulátor alebo spotrebič mimo rozsah teplôt uvedených v pokynoch.** Nesprávne nabíjanie alebo nabíjanie pri teplotách mimo stanovený rozsah môže poškodiť akumulátor a zvýšiť riziko požiaru.
- **Udržujte prístroj a jeho rukoväť suché, čisté, bez oleja a maziva.** Pri čistení vždy používajte čistú handru. Nikdy nepoužívajte brzdové kvapaliny, benzín, ropné produkty, ani silné rozpúšťadlá na čistenie ventilátora. Dodržiavanie tohto pravidla zníži riziko straty kontroly a zhoršenia stavu plastového krytu.
- **Batérie môžu explodovať v prítomnosti zdroja vznietenia, ako je napríklad kontrolná žiarovka. Aby sa znížilo riziko vážneho zranenia, nikdy nepoužívajte akýkoľvek akumulátorový výrobok v prítomnosti otvoreného ohňa. Vybuchnutý akumulátor môže rozprsknúť nečistoty a chemikálie.** V prípade zasiahnutia ihneď opláchnite vodou.
- **Odložte si tieto pokyny.** Používajte ich často a používajte ich tiež na poučenie ostatných, ktorí môžu tento ventilátor používať. Ak požičiate tento ventilátor niekomu inému, požičajte mu aj tieto pokyny, aby sa zabránilo zneužitiu výrobku a prípadným zraneniam.
- Uvedomte si, že vysoká vlhkosť môže podporovať rast biologických organizmov v prostredí.
- Nedovoľte, aby bol priestor okolo zahmlievacieho ventilátora vlhký alebo mokrý. Ak sa vyskytne vlhkosť, znížte výkon ventilátora. Ak nie je možné znížiť výstup zahmlievacieho ventilátora, používajte ventilátor s prestávkami. Nedovoľte, aby savé materiály, ako sú koberce, záclony, závesy alebo obrusy, navlhli.
- Nikdy nenechávajte vodu v zásobníku, keď sa spotrebič nepoužíva.
- Pred uskladnením vyprázdňte a vyčistite zahmlievací ventilátor. Pred ďalším použitím zvlhčovač vyčistite.

SERVIS

- **Nechajte vašu nabíjačku opraviť kvalifikovanou osobou s použitím iba identických náhradných dielov.** Tým sa zabezpečí, že bezpečnosť spotrebiča zostane zachovaná.
- **Nikdy neopravujte poškodené akumulátory.** Servis akumulátorov smie robiť iba výrobca alebo autorizovaní servisní poskytovatelia.

BEZPEČNOSTNÉ POKYNY PRE AKUMULÁTOROVÝ ZAHMLIEVACÍ VENTILÁTOR

- **Nedovoľte, aby sa ventilátor používal ako hračka.** Mimoriadna opatnosť sa vyžaduje, ak sa používa v blízkosti detí.
- **Deti môžu spadnúť do vedra a utopiť sa.** Nepúšťajte deti k vedrám, v ktorých je aj malé množstvo tekutiny.
- **Používajte iba čistú, studenú vodu.**
- **Tento zahmlievací ventilátor nepoužívajte na rozprašovanie pesticídov, tekutých hnojív, chemikálií ani iných kvapalín okrem čistej vody.** Rozprašovanie týchto látok môže vyvolať vážne zranenia obsluhy alebo okolostojacich.
- **Nikdy nesmerujte hmlu alebo vodu na elektrické vedenie alebo zariadenia.**
- **Uistite sa, že je kryt priestoru pre akumulátor úplne zatvorený, aby sa zabránilo kontaktu vody s akumulátorom alebo vniknutiu vody do portu akumulátora.**


VAROVANIE: Mikroorganizmy, ktoré sa môžu nachádzať vo vode alebo v prostredí, kde sa spotrebič používa alebo skladuje, sa môžu v zásobníku na vodu množiť a byť rozprašované do vzduchu, čo spôsobuje veľmi vážne zdravotné riziká, ak sa voda neobnovuje a zásobník sa každé 3 dni riadne nevyčistí.

- Nabíjateľné batérie je potrebné pred nabíjaním zo spotrebiča vybrať
- Vybité batérie je potrebné zo spotrebiča vybrať a bezpečne zlikvidovať
- Ak sa prístroj nebude dlhší čas používať, vyberte batérie.
- Napájacie svorky nesmú byť skratované.

ODLOŽTE SI TIETO POKYNY

SK

TECHNICKÉ ÚDAJE

Napätie	56 V 
Priemer lopatky ventilátora	45,7 cm
Nastavenie rýchlosti ventilátora	6 (vrátane „Turbo“)
Max. Objem vzduchu	7000 m ³ /h
Max. Rýchlosť vzduchu	10,3 m/s
Objem vody na zahmlievanie	I: 4,5 l/h
	II: 11,4 l/h
Odporúčaná skladovacia teplota	20°C - 70°C
Hmotnosť (bez akumulátora)	10,4 kg

OBSAH BALENIA

NÁZOV DIELU	MNOŽSTVO	
Zahmlievací ventilátor	1	
Montáž kolesa	Koleso	2
	Kryt náboja	2
	Skrutka s podložkou	2
Zostava hornej rukoväte	Horná rukoväť	1
	Skrutka s podložkou	4
Kľúč	1	
Náhradná tryska	1	
Návod na obsluhu	1	

SK

POPIS

ZOZNÁMTE SA S VAŠIM ZAHMLIEVACÍM VENTILÁTOROM (obr. A a A1)

- Horná rukoväť
- Kryt ventilátora
- Zaistovací gombík krytu ventilátora
- Koleso (x2)

- Zahmlievacia tryska (x4)
- Teleskopická rukoväť
- Priestor pre akumulátor
- Nasávacía rúrka
- Filter
- Ovládacie rozhranie
- Hlavný vypínač
- Indikátor rýchlosti vzduchu
- Kontrolka TURBO
- Tlačidlo TURBO
- Tlačidlo nastavenia rýchlosti vzduchu
- Tlačidlo výberu režimu zahmlievania
- Indikátor zahmlievania

MONTÁŽ

VAROVANIE: Ak akýkoľvek diel chýba, alebo je poškodený, nepoužívajte tento výrobok, kým nie sú vymenené diely. Ak používate tento výrobok s poškodenými alebo chýbajúcimi časťami, môže dôjsť k vážnemu zraneniu.

VAROVANIE: Nepokúšajte sa upravovať tento výrobok alebo vytvoriť príslušenstvo, ktoré nie je odporúčané na použitie s týmto ventilátorom. Každá takáto zmena alebo modifikácia sa považuje za zneužitie a môže spôsobiť nebezpečný stav, ktorý vedie k možnému vážnemu zraneniu.

VAROVANIE: Vždy vyberte batériu z prístroja pri montáži dielov, vykonávaní úprav, čistení, alebo keď sa nepoužíva. Vybratie akumulátora zabráni náhodnému spusteniu, ktoré by mohlo viesť k vážnemu zraneniu.

MONTÁŽ KOLIES (OBR. B)

- Zarovnajete otvor jedného z kolies s osou kolesa ventilátora a namontujte koleso na os.
- Jednu zo skrutiek kolesa prevlečte cez otvor kolesa do osi kolesa a potom skrutku utiahnite dodaným kľúčom.
- Prícvaknite kryt náboja na koleso.
- Zostavte druhé koleso podľa vyššie uvedených krokov 1 - 3.

PRÍPEVNENIE HORNEJ RUKOVÄTE (obr. C)

- Zarovnajete štyri dodané skrutky s otvormi v hornej rukoväti a otvormi v kryte ventilátora.
- Vložte skrutky a potom ich utiahnite dodaným kľúčom. Nasleduje popis dielov na Obr. B a obr. C:

B-1	Koleso (2)	B-3	Skrutka s podložkou (2)
B-2	Os kolesa (2)	B-4	Kryt náboja (2)
C-1	Horná rukoväť	C-2	Skrutka s podložkou (4)
C-3	Otvor na skrutku		

OBSLUHA

VAROVANIE: Nedovoľte, aby dlhodobá skúsenosť práce s týmto výrobkom spôsobila vašu neopatrnosť. Pamätajte na to, že aj chvilková neopatrnosť stačí na to, aby spôsobila vážny úraz.

VAROVANIE: Nepoužívajte žiadne doplnky alebo príslušenstvo, ak ho neodporúča výrobca uvedeného výrobku. Používanie nástavcov alebo príslušenstva, ktoré nie sú odporúčané, môže viesť k vážnemu zraneniu osôb.

Pred každým použitím skontrolujte, či na zariadení nie sú poškodené, chýbajúce alebo uvoľnené časti, napríklad skrutky, matice, závitky, uzávery, atď. Bezpečne utiahnite všetky upevňovacie prvky a uzávery a nepoužívajte tento výrobok, kým nebudú vymenené všetky chýbajúce alebo poškodené diely.

VAROVANIE: Vždy vyberte batériu z výrobku pri montáži dielov, vykonávaní úprav, čistení, alebo keď sa nepoužíva. Vybratie akumulátora zabráni náhodnému spusteniu, ktoré by mohlo viesť k vážnemu zraneniu.

POUŽITIE

Tento výrobok môžete použiť na tieto uvedené účely:

- Všeobecné vetranie vo väčšine domácností
- Vonkajšie chladenie pri pripojení na zdroj vody

NASTAVENIE UHLA VENTILÁTORA (obr. D)

1. Uchopte hornú rukoväť, aby ste pridržali kryt ventilátora.
2. Otočením zaist'ovacieho gombíka PROTI SMERU HODINOVÝCH RUČÍČIEK uvoľnite nastaviteľný kryt ventilátora.
3. Nakloňte nastaviteľný kryt ventilátora dopredu alebo dozadu do požadovaného uhla. Ventilátor sa môže otáčať až o 90° dopredu alebo až o 135° dozadu.
4. Otočením zaist'ovacieho gombíka V SMERE HODINOVÝCH RUČÍČIEK zaistíte kryt ventilátora v požadovanom uhle.

PRIPOJENIE/ODPOJENIE AKUMULÁTORA (obr. E)

Používajte iba EGO akumulátory a nabíjačky uvedené na obr. A2.

Pred prvým použitím úplne nabite.

Pripojenie

1. Potiahnite kryt priestoru pre batérie a otvorte ho.
2. Spojte akumulátor s montážnymi otvormi a stlačte akumulátor nadol, kým nebudete počuť „cvaknutie“.

Odpojenie

1. Stlačte tlačidlo na uvoľnenie akumulátora a vytiahnite akumulátor.
2. Zatvorte kryt priestoru pre batérie jeho zatlačením. Uistite sa, že je úplne uzavretý, aby sa zabránilo kontaktu vody s batériou alebo vniknutiu vody do portu batérie.

Nasleduje popis dielov na obr. E:

E-1	Tlačidlo uvoľnenia akumulátora
E-2	Kryt priestoru pre batérie

ZAPNUTIE/VYPNUTIE ZAHMLIEVACIEHO VENTILÁTORA

POZNÁMKA: Počiatočné továrenské nastavenie rýchlosti vzduchu je na úrovni 3. Ventilátor uloží posledné použité nastavenie rýchlosti vzduchu a vráti sa k nemu pri opätovnom spustení.

DÔLEŽITÉ: Nastavenie Turbo sa neuloží.

POZNÁMKA: Nastavenie zahmlievania sa neuloží a v predvolenom nastavení bude vypnuté pri každom zapnutí ventilátora.

HLAVNÝ VYPÍNAČ

- Krátkym stlačením hlavného vypínača ZAPNITE ventilátor.
- Opätovným krátkym stlačením hlavného vypínača ventilátor VYPNETE.

NASTAVENIE RÝCHLOSTI VZDUCHU

Normálna rýchlosť vzduchu

- Stlačením tlačidla „+“ zvýšite rýchlosť vzduchu a stlačením tlačidla „-“ rýchlosť vzduchu znížite. K dispozícii je 5 úrovní rýchlosti.
- Kontrolka rýchlosti vzduchu zobrazuje zelené svetlá zodpovedajúce aktuálnym úrovniam rýchlosti.

SK

TURBO režim

- Stlačte tlačidlo „TURBO“, kontrolka TURBO sa rozsvieti na zeleno a ventilátor sa prepne do režimu „TURBO“, t.j. najvyššej rýchlosti prúdenia vzduchu.
- Keď v režime „TURBO“ znova stlačíte tlačidlo „TURBO“, kontrolka TURBO zhasne a ventilátor obnoví predchádzajúcu aktívnu rýchlosť vzduchu.
- Keď v režime „TURBO“ stlačíte tlačidlo „-“, kontrolka TURBO zhasne a ventilátor sa prepne na úroveň rýchlosti vzduchu 5.

FUNKCIA ZAHMLIEVANIA

POUŽÍVANIE VENTILÁTORA S VEDROM NA VODU (NIE JE SÚČASŤOU DODÁVKY) (obr. F)

VAROVANIE: Deti môžu spadnúť do vedra a utopiť sa. Držte deti ďalej od vedier obsahujúcich čo i len malé množstvo kvapaliny.

POZNÁMKA: Pred každým použitím vyčistite vedro vodou a mydlom.

1. Odpojte akumulátor.
2. Vedro položte na rovný a plochý povrch.
3. Do vedra nalejte iba čistú studenú vodu. Neprepĺňajte.
4. Ponorte koniec nasávacej rúrky do vedra s vodou.

POZNÁMKA: Neohýbajte nasávaciu rúrku a vždy sa uistite, že voda cez rúrku plynule preteká.

5. Nainštalujte akumulátor a zatvorte kryt priestoru pre batérie.
6. Krátko stlačte hlavný vypínač, aby sa ventilátor ZAPOL.
7. Stlačením tlačidla voľby režimu hmlu spustíte zahmlievanie:

- Stlačte raz tlačidlo voľby režimu hmlu a indikátor zahmlievania rozsvieti dve zelené kontrolky, ktoré oznamujú režim „nepretržitého“ zahmlievania - po celý čas bez zastavenia.

POZNÁMKA: Môže trvať približne 15 sekúnd, kým prvýkrát uvidíte hmlu vychádzajúcu zo zahmlievacích trysiek. Toto oneskorenie je spôsobené časom, ktorý je potrebný na to, aby voda prúdila z vedra s vodou do trysiek.

- Opätovne stlačte tlačidlo voľby režimu hmlu a indikátor zahmlievania sa rozsvieti jedným zeleným svetlom, ktoré oznamuje režim „prerušovaného“ zahmlievania - hmla sa bude rozprašovať 5 s každých 10 s.

- Keď je zahmlievanie v prerušovanom režime, stlačte znova tlačidlo voľby režimu zahmlievania a kontrolky zahmlievania zhasnú a zahmlievanie sa zastaví.

POZNÁMKA: Po skončení zahmlievania vytiahnite nasávaciu rúrku z vody a spustíte ventilátor v režime zahmlievania, kým sa z rúrky neodstráni všetka voda. To pomáha zabrániť tomu, aby zvyšky vody v rúrke spôsobili neočakávané zahmlievanie pri opätovnom spustení ventilátora.

POUŽÍVANIE VENTILÁTORA BEZ ZAHMLIEVANIA

V prípade potreby sa tento výrobok môže používať len ako ventilátor, ak nie je pripojený k zdroju vody. Ak sa nasávacia rúrka nepoužíva, vždy ju uložte do úložného priestoru (pozri časť „SKLADOVANIE“ v tejto príručke), aby ste ju chránili pred poškodením a znečistením.

VNÚTORNÁ OCHRANA

Keď je aktivovaná funkcia zahmlievania, ale nevychádza žiadna vodná hmľa:

- Vodné čerpadlo bude ešte chvíľu bežať a potom sa automaticky zastaví, aby chránilo vnútornú elektroniku.
- V závislosti od režimu zahmlievania sa na indikátore zahmlievania na krátku chvíľu zobrazí jedno alebo dve stále zelené svetlá a potom začne nepretržite blikať zelené svetlo (svetlá) ako upozornenie pre obsluhu, aby:
 - a. skontrolovala, či je nasávacia rúrka správne ponorená do vody.
 - b. skontrolovala, či nie sú upchaté zahmlievacie trysky, a vyčistila ich podľa kapitoly „ÚDRŽBA TRYSKY“.
 - c. Stlačením tlačidla voľby režimu zahmlievania spustíte zahmlievanie.

ÚDRŽBA

VAROVANIE: Pri servise používajte iba identické náhradné diely. Použitie iných častí môže vyvolať nebezpečenstvo, alebo spôsobiť poškodenie výrobku. Pre zaistenie bezpečnosti a spoľahlivosti je nevyhnutné, aby všetky opravy vykonával len kvalifikovaný servisný technik.

VAROVANIE: Pri čistení alebo vykonávaní údržby vždy vyberte akumulátor z výrobku, aby nedošlo k vážnemu zraneniu.

CELKOVÁ ÚDRŽBA

Na čistenie plastových dielov nepoužívajte rozpúšťadlá. Väčšina plastov je náchylná na poškodenie rôznymi typmi komerčných rozpúšťadiel a môžu sa poškodiť, ak sa rozpúšťadlá použijú. Použite čisté handry na odstránenie nečistôt, prachu, oleja, maziva, atď.

VAROVANIE: Nikdy nedovoľte, aby brzdové kvapaliny, benzín, ropné výrobky, penetračné oleje atď., prišli do styku s plastovými časťami. Chemické látky môžu poškodiť, oslabiť alebo zničiť plast, čo môže viesť k vážnemu zraneniu.

ÚDRŽBA TRYSKY (obr. G)

VAROVANIE: Zabezpečte, aby sa všetka údržba zahmlievacích trysiek vykonávala správne, aby sa zabránilo úniku vody. Úniky môžu mať za následok klzký povrch, ktorý predstavuje nebezpečenstvo pošmyknutia a pádu, alebo môžu spôsobiť škody na majetku.

Výčistenie trysiek:

1. Vypnite ventilátor a vyberte akumulátor.
2. Odstráňte upchaté mosadzné zahmlievacie trysky otočením PROTI SMERU HODINOVÝCH RUČÍČIEK.
3. Každú upchatú trysku rozoberte na časti.
4. Prepláchnite jednotlivé časti trysiek vodou, **ak chcete odstrániť akékoľvek cudzie častice**, ktoré ich upchávajú alebo obmedzujú. **ak chcete odstrániť nánosy vodného kameňa (minerálov)**, vyčistite časti trysiek bielym octom alebo iným prostriedkom na odstraňovanie vodného kameňa podľa potreby.
5. Znovu zmontujte trysky.

POZNÁMKA: Aby ste zabránili upchatiu, uistite sa, že je tryska zostavená presne podľa obr. G.

6. Nasadte späť čisté trysky.

ÚDRŽBA FILTRA (obr. H)

Pravidelne kontrolujte filter na konci nasávacej rúrky, či je v dobrom stave.

1. Vytiahnite filter z nasávacej rúrky.
2. Odskrutkujte filter na časti a vyberte špongióvu sieťku.
3. V prípade potreby opláchnite špongióvu sieťku alebo ju vymeňte.
4. Znovu zmontujte filter a pripojte ho k nasávacej rúrke.

Obr. H s popisom dielov:

H-1	Filter	H-3	Špongióvy filter
H-2	Horná časť	H-4	Spodná časť

ÚDRŽBA KRYTU VENTILÁTORA (obr. I1 a obr. I2)

VAROVANIE: Pred odstránením ochranného krytu sa uistite, že sú akumulátory z výrobku vybraté.

1. Povoľte a odstráňte šesť skrutiek, aby ste ČASTOČNE zdvihli prednú ochrannú mriežku z krytu ventilátora.
- UPOZORNENIE:** Aby ste predišli poškodeniu, neodstraňujte prednú ochrannú mriežku úplne bez toho, aby ste NAJPRV odpojili nasávaciu rúrku.
2. Stlačte čiernu gumu na konci matice, aby ste vytiahli nasávaciu rúrku.
3. Úplne odstráňte prednú ochrannú mriežku.
4. Otočením poistného krytu lopatky ventilátora v smere hodinových ručičiek uvoľníte lopatku ventilátora z hriadeľa.
5. Odstráňte lopatku ventilátora.
6. Podľa potreby vyčistite lopatky ventilátora a vnútro krytu.
7. Znova ich zložte v opačnom poradí a skontrolujte, či:
 - nasávacia rúrka je správne pripojená k matici.
 - je nasávacia rúrka správne umiestnená do štrbiny na kryte mriežky.

Nasleduje popis dielov na obr. I1 a I2

I1-1	Predná ochranná mriežka	I1-4	Čierna guma
I1-2	Skrutka (6)	I1-5	Nasávacia rúrka
I1-3	Matica	I2-1	Poistný kryt
I2-2	Lopatka ventilátora		

PREPRAVA

- Ventilátor je vybavený hornou rukoväťou na prenášanie ventilátora pri cestách na krátke vzdialenosti alebo pri prekonávaní nerovného povrchu/terénu.
- Na prepravu na dlhé vzdialenosti použite teleskopickú rukoväť na posúvanie ventilátora. Pomocou hornej rukoväte nakloňte ventilátor a potom vytiahnite teleskopickú rukoväť, kým nebudete počuť „cvaknutie“. Ak sa teleskopická rukoväť nepoužíva, zasuňte ju do nástroja (obr. J).

USKLADNENIE

1. Vyberte akumulátor.
2. Ventilátor dôkladne vyčistite.

SK

3. Vyprázdňte nasávaciu rúrku a filter.
4. Umiestnite nasávaciu rúrku do jednej z úložných polôh umiestnených na zadnej strane ventilátora (obr. K1 a obr. K2).
5. Ventilátor skladujte na suchom, dobre vetranom mieste, mimo dosahu detí. Neskladujte ventilátor na hnojivách, benzíne alebo iných chemikáliách alebo v ich blízkosti.

OCHRANA ŽIVOTNÉHO PROSTREDIA



Nevyhadzujte elektrické zariadenia, nabíjačku a použité akumulátory do domového odpadu! Tento výrobok odneste na autorizované recyklačné miesto a poskytnite ho na separovaný zber. Elektrické náradie sa musí odovzdať do príslušného zariadenia na ekologicky šetrnú recykláciu.

ODSTRAŇOVANIE PORÚCH

PROBLÉM	PRÍČINA	RIEŠENIE
Nástroj nefunguje.	<ul style="list-style-type: none"> ■ Nízka kapacita akumulátora. ■ Akumulátor alebo ventilátor sú príliš horúce. 	<ul style="list-style-type: none"> ■ Nabite akumulátor. ■ Vypnite ventilátor a nechajte ventilátor a akumulátor vychladnúť.
Nedochádza k zahmlievaniu vodou a indikátor zahmlievania bliká dvoma zelenými kontrolkami.	<ul style="list-style-type: none"> ■ Nasávacía rúrka nesaje vodu, čím sa aktivuje vnútorná ochrana vodného čerpadla vo vnútri nástroja. ■ Počas prevádzky sa upchala zahmlievacia tryska, čím sa aktivovala vnútorná ochrana vodného čerpadla. 	<ul style="list-style-type: none"> ■ Skontrolujte, či je vo vedre dostatok vody a či je nasávacía rúrka správne ponorená do vody. ■ Vyčistite trysky podľa kapitoly „ÚDRŽBA TRYSKY“ a znovu ich zmontujte podľa pokynov.
K úniku vody dochádza po údržbe krytu ventilátora.	<ul style="list-style-type: none"> ■ Nečakane sa uvoľnila matica spájajúca nasávaciu rúrku. 	<ul style="list-style-type: none"> ■ Otvorte kryt ventilátora podľa kapitoly „ÚDRŽBA KRYTU VENTILÁTORA“. Skontrolujte a uistite sa, že je matica úplne utiahnutá.

ZÁRUKA

ZÁRUČNÁ POLITIKA EGO

Navštívte webové stránky egopowerplus.com pre úplné podmienky záručnej politiky spoločnosti EGO.

SK

OLVASSA EL AZ ÖSSZES UTASÍTÁST!



OLVASSA EL A HASZNÁLATI ÚTMUTATÓT

▲ FIGYELMEZTETÉS: A biztonságosság és megbízhatóság biztosítása érdekében minden javítást és cserét szakképzett szerviztechnikus hajtson végre.

BIZTONSÁGI SZIMBÓLUMOK

A biztonsági szimbólumok célja, hogy felhívják a figyelmet az esetleges veszélyekre. Nagyon figyeljen a biztonsági szimbólumokra és magyarázatokra, ill. ezek megértésére. A szimbólumok figyelmeztetései önmagukban nem hártják el a veszélyeket. Az utasítások és figyelmeztetések nem helyettesítik a megfelelő balesetmegelőző intézkedéseket.

▲ FIGYELMEZTETÉS: A szerszám használata előtt feltétlenül olvassa el a jelen használati útmutató minden biztonsági utasítását, a „VESZÉLY”, „FIGYELMEZTETÉS” és „FIGYELEM” biztonsági szimbólumokat is. Az alább felsorolt utasítások be nem tartása áramütést, tűzveszélyt és/vagy súlyos személyi sérülést idézhet elő.

	Biztonsági figyelmeztetés	Az Ön biztonságát érintő óvintézkedések.
	Olvassa el és értelmezze a használati útmutatót	A sérülések kockázatának csökkentése érdekében a használatnak a termék használata előtt el kell olvasnia és meg kell értenie a használati útmutatót.
	Eső állapot	Ne tegye ki esőnek.
	CE	A termék megfelel az érvényes EK irányelveknek.
	UKCA	Ez a termék megfelel az Egyesült Királyság hatályos jogszabályainak.

	WEEE	Az elhasználdott elektromos termékek nem helyezhetők a háztartási hulladékok közé. Vigye hivatalos újrahasznosító telephelyre.
IPX4	Külső behatásokkal szembeni védelem	Fröccsenő víz elleni védelem
	Egyenáram	Áram típusa vagy jellemzői
V	Volt	Feszültség
cm	Centiméter	Hossz vagy méret
m/s	m/s	Sebesség
L/h	l/h	Áramlási sebesség
°C	Celsius	hőmérséklet
kg	Kilogramm	Súly

ÁLTALÁNOS BIZTONSÁGI FIGYELMEZTETÉSEK

▲ FIGYELMEZTETÉS: A tűzveszély, áramütés vagy sérülés kockázatának csökkentése érdekében:

- **Ismerje meg a ködventilátort. Figyelmesen olvassa el a használati útmutatót. Ismerje meg a ventilátor alkalmazásait és korlátait, valamint a ventilátorral kapcsolatos lehetséges veszélyeket.** A szabályok betartása csökkenti az áramütés, tűz vagy súlyos sérülés kockázatát.
- Ezt a berendezést nem használhatják olyan személyek (gyermeket is beleértve), akik csökkent fizikai, érzékszervi vagy szellemi képességekkel rendelkeznek, vagy nem rendelkeznek kellő belátással és tudással, kivéve azt az esetet, ha az említett személyek a biztonságukért felelős személy felügyelete alatt állnak, vagy ilyen személytől kaptak utasítást a berendezés használatára vonatkozóan.
- A gyermekeket mindig felügyelni kell, hogy ne játszhassanak a készülékkel.

MUNKATERÜLETI BIZTONSÁG

- **Ne használja a ventilátort robbanási veszélynek kitétt környezetben, például olyan helyen, ahol éghető folyadékok, gázok vagy porok találhatóak.**

HU

- **Tartsa távol a gyermekeket és az illetéktelen személyeket, amikor a készüléket használja.** Ha megzavarják, elveszítheti uralmát a készülék felett.
- **Legyen óvatos, ha szeles időben használja.** A szél ködöt juttathat az elektromos vezetékekbe vagy készülékekbe.
- **Ne tegye ki a készüléket esőnek vagy nedves körülményeknek.** A készülékbe bekerülő víz megnöveli az áramütés kockázatát.

SEMÉLYI BIZTONSÁG

- **Legyen éber, figyelje, mit csinál, és használja a józan esztét a készülék használata során.** Ne használja a készüléket, ha fárad, ideges, vagy ha kábítószert, alkohol vagy gyógyszer hatása alatt áll. A készülék üzemeltetése közben egy pillanatnyi figyelmetlenség is súlyos személyi sérülést okozhat.
- **Akadályozza meg a véletlen indítást.** Ügyeljen arra, hogy a kapcsoló kikapcsolt állásban legyen, mielőtt az akkumulátoregységhez csatlakoztatja, felveszi vagy viszi a készüléket. Balesetekhez vezethet, ha a hálózatra csatlakoztatott készüléket úgy viszi, hogy közben az ujjá a bekapcsoló gombon van, vagy ha a hálózati csatlakozódugót olyankor dugja be az aljzatba, amikor a készülék be van kapcsolva.
- **A készülék bekapcsolása előtt távolítson el minden beállító kulcsot vagy csavarkulcsot.** Személyi sérülést okozhat, ha a készülékben felejtett csavarkulcs vagy beállító kulcs forgó alkatrészhez ér.
- **Ne hajoljon a készülék fölé. Vegyen fel stabil testhelyzetet, és mindig tartsa meg az egyensúlyát.** Ez lehetővé teszi a készülék jobb irányítását váratlan helyzetekben.
- **Viseljen megfelelő ruházatot. Ne viseljen laza ruházatot vagy ékszereket.** A haj és a ruházat ne érjen a mozgó részekhez. A laza ruházatot, az ékszert vagy a hosszú hajat becsíphetik a mozgó alkatrészek.
- **A készülék használata előtt ellenőrizze, hogy minden csatlakozás biztonságos-e.**
- **Ne hagyja, hogy a készülék rendszeres használata során szerzett tapasztalat miatt túl magabiztosá váljon, és emiatt figyelmen kívül hagyja a biztonsági alapelveket.** Egy óvatlan cselekedet a másodperc töredéke alatt súlyos sérülést okozhat.

HASZNÁLAT ÉS GONDOZÁS

- **Ne használja a készüléket, ha nem lehet a bekapcsoló gombbal be- vagy kikapcsolni.** Minden olyan készülék, amelyet nem lehet a kapcsolóval vezérelni, veszélyes, és meg kell javítani.

- **Húzza ki az akkumulátort a készülékből, mielőtt bármilyen beállítást, tartozékserét végezne, vagy eltenné a készüléket.** Az ilyen megelőző biztonsági óvintézkedések csökkentik a készülék véletlen bekapcsolásának kockázatát.
- **A használaton kívüli készüléket gyermekek elől elzárva tárolja, és ne engedje, hogy olyanok használják a készüléket, akik nem ismerik a készüléket vagy ezt a használati útmutatót.** A készülékek veszélyt jelentenek, ha gyakorlatlan felhasználó kezébe kerülnek.
- **A készülék és a tartozékok karbantartása.** Ellenőrizze a mozgó részek beállítását és rögzítését, vizsgáljon meg minden részt, nem sérült-e, és ellenőrizze, nem állnak-e fenn olyan körülmények, amelyek befolyásolhatják a készülék helyes működését. Ha a készülék megsérült, akkor használat előtt javíttassa meg. Sok balesetet a rosszul karbantartott készülék okoz.
- **A készüléket és a tartozékokat, stb. mindig ezen biztonsági utasításoknak megfelelően használja, mindig vegye figyelembe a munkakörülményeket, és legyen tekintettel az elvégzendő munkára.** A készülék rendeltetési céltól eltérő használata veszélyes helyzetet eredményezhet.
- **Tartsa szárazon, tisztán, olajtól és zsírtól mentesen a fogantyúkat és a tartófelületeket.** A csúszós fogantyúk és tartófelületek miatt a szerszám kezelése és vezérése váratlan helyzetekben nem biztonságos.

▲ FIGYELMEZTETÉS: A tűz vagy áramütés veszélyének csökkentése érdekében ne használja ezt a ventilátort szilárdtest fordulatszám szabályozó készülékkel.

AZ AKKUMULÁTORRAL MŰKÖDŐ SZERSZÁM ÜZEMELTETÉSE ÉS GONDOZÁSA

- **Csak a gyártó által meghatározott töltőt használja.** Az olyan töltő, amely egy típusú akkumulátoregységhez alkalmas, tűzveszélyt okozhat, ha más típusú akkumulátoregységhez használja.
- **A készüléket csak a kifejezetten erre a célra szolgáló akkumulátoregységekkel használja.** Bármely más akkumulátoregység használata sérülés- vagy tűzveszélyt okozhat.
- **Amikor nem használja az akkumulátoregységet, tartsa távol más fémtárgyaktól, például gemkapcsoktól, érméktől, kulcsoktól, szögektől, csavaroktól vagy más kis fémtárgyaktól, amelyek kapcsolatba léphetnek vele.** Az akkumulátorok kapcsainak rövidzárlata égési sérülést vagy tüzet okozhat.

- **Nem megfelelő körülmények között folyadék szívóroghat az akkumulátorból; ügyeljen rá, hogy ne kerüljön érintkezésbe vele.** Amennyiben véletlenül hozzáérne, mossa le vízzel. Ha ez a folyadék szembe kerül, forduljon orvoshoz. Az akkumulátorból kiszivárgó folyadék irritációt vagy égési sérülést okozhat.
- **Ne használjon sérült vagy módosított akkumulátoregységet vagy készüléket.** A sérült vagy módosított akkumulátorok előre nem látható módon viselkedhetnek, aminek eredménye tűz, robbanás vagy sérülésveszély lehet.
- **Ne tegye ki az akkumulátoregységet tűznek vagy túlzott hőmérsékletnek.** Ha tűznek, vagy 130°C feletti hőmérsékletnek teszi ki, akkor felrobbanhat.
- **Tartsa be az összes töltési utasítást, és ne töltsé az akkumulátoregységet vagy a készüléket az utasításokban meghatározott hőmérséklet-tartományon kívül.** A nem megfelelő vagy a meghatározott hőmérséklet-tartományon kívüli töltés károsíthatja az akkumulátort, és növeli a tűzveszélyt.

SZERVIZ

- **Készülék javítását csak azonos cserealkatrészek felhasználásával, szakképzett szakemberrel végeztesse.** Ez biztosítja a készülék biztonságának fenntartását.
- **Soha ne szervizeljen sérült akkumulátoregységeket.** Az akkumulátoregységek szervizelését csak a gyártó vagy a felhatalmazott szerviz szolgáltató végezheti.

BIZTONSÁGI UTASÍTÁSOK VEZETÉK NÉLKÜLI KÖDVENTILÁTORHOZ

- **Ne engedje, hogy a ventilátort játékként használják.** Fokozottan figyeljen, ha gyerekek közelében használja a készüléket.
- **A gyerekek beleeshetnek a vödörökbe és megfulladhatnak.** Még akkor is tartsa távol a gyerekeket a vödöröktől, ha azokban csak kis mennyiségű folyadék van.
- **CSAK tiszta, hideg vizet használjon.**
- **Ne használja ezt a ködventilátort növényvédő szerek, folyékony műtrágyák, vegyszerek vagy más folyadékok permetezésére, kivéve a tiszta vizet.** Ezen anyagok permetezése súlyos sérülést vagy betegséget okozhat a kezelő vagy a közelben állók számára.
- **Soha ne irányítson ködöt vagy vizet elektromos vezetékek vagy eszközök felé.**
- **Győződjön meg róla, hogy az akkumulátortartó tartó fedele teljesen zárva van-e, hogy megakadályozza, nehogy víz érintkezzen az akkumulátorral vagy az**

akkumulátornyílásba kerüljön.

- **Tartsa szárazon, tisztán, olajtól és zsírtól mentesen a készüléket és a fogantyúját.** Mindig használjon tiszta ruhát a tisztításhoz. **Soha ne használjon fékfolyadékot, benzint, petróleum alapú termékeket, vagy más erős oldószereket a ventilátor tisztításához.** Ha betartja ezt a szabályt, akkor csökkenti annak veszélyét, hogy elveszítheti az uralmát a készülék felett, és megelőzi a védő műanyagburkolat sérülését.
- **Az akkumulátorok gyújtóforrás, például jelzőfény, jelenlétében felrobbanhatnak. A súlyos személyi sérülések kockázatának csökkentése érdekében soha ne használja a vezeték nélküli terméket nyílt láng jelenlétében.** A felrobbant akkumulátor törmelérekre és vegyszerekre bomlik. Ha fennáll a robbanás veszélye, azonnal öntse le vízzel.
- **Őrizze meg ezt az útmutatót.** Időnként olvassa át, és használja, amikor másokat betanít a ventilátor használatára. Ha valakinek kölcsönadja a ventilátort, akkor adja át a használati útmutatót is a helytelen használat és lehetséges sérülések megelőzése érdekében.
- **Legyen tisztában azzal, hogy a magas páratartalom elősegítheti a biológiai organizmusok szaporodását a környezetben.**
- **Ügyeljen rá, hogy a ködventilátor ne kerüljön nedves vagy vizes helyre.** Ha nedvesség keletkezik, akkor csökkentse a ködventilátor teljesítményét. Ha a ködventilátor kimeneti teljesítménye nem csökkenthető, használja a párasítót időszakosan. Ne hagyja, hogy nedvszívó anyagok, például szőnyegek, függönyök, drapériák vagy terítők nedvesek legyenek.
- **Soha ne hagyjon vizet a tartályban, amikor a készülék nincs használatban.**
- **Mielőtt elrakja a ködventilátort, ürítse ki és tisztítsa meg. A következő használat előtt tisztítsa meg a párasítót.**

▲ FIGYELMEZTETÉS: A vízben vagy a készülék használatának vagy tárolásának környezetében esetlegesen jelenlévő mikroorganizmusok elszaporodhatnak a víztartályban, és a levegőbe kerülve igen komoly egészségügyi kockázatot jelenthetnek, ha a vizet nem cseréli ki, és a tartályt nem tisztítja ki megfelelően 3 naponta.

- **Az újratölthető akkumulátorokat töltés előtt ki kell venni a készülékből.**
- **A lemerült akkumulátorokat ki kell venni a készülékből és gondoskodni kell a biztonságos ártalmatlanításról.**
- **Ha az eszközt használaton kívül hosszabb ideig tárolja, akkor az akkumulátorokat ki kell venni.**

- Az elektromos érintkezőket nem szabad rövidre zárn.

ŐRIZZE MEG EZEKET AZ UTASÍTÁSOKAT!

JELLEMZŐK

Feszültség	56 V
Ventilátor lapát átmérője	45,7 cm
Ventilátor sebesség beállítások	6 (a "Turbo" fokozattal együtt)
Max. légszállítás	7000 m ³ /h
Max. légsebesség	10,3 m/s
Párásító víz mennyisége	I: 4,5 l/h
	II: 11,4 l/h
Javasolt tárolási hőmérséklet	-20°C ~ 70°C
Súly (akkumulátoregység nélkül)	10,4 kg

A CSOMAG TARTALMA

ALKATRÉSZ NEVE		MENNYISÉG
Kódventilátor		1
Kerékszerelvény	Kerék	2
	Díztárcsa	2
	Csavar alátéttel	2
Felső fogantyú egység	Felső fogantyú	1
	Csavar alátéttel	4
Csavarkulcs		1
Tartalék fűvóka		1
Használati útmutató		1

LEÍRÁS

ISMERJE MEG A KÓDVENTILÁTORÁT (A és A1 ábra)

1. Felső fogantyú
2. Ventilátor burkolat
3. Ventilátor burkolat rögzítő gomb
4. Kerék (2 db.)
5. Kódűvóka (4 db.)

6. Teleszkópos fogantyú
7. Akkumulátor tartó
8. Szívócső
9. Szűrő
10. Vezérlő interfész
11. Főkapcsoló gomb
12. Légsebesség jelzőlámpa
13. TURBO jelzőlámpa
14. TURBO gomb
15. Légsebesség beállító gomb
16. Kódösztő mód kiválasztó gomb
17. Kódösztés jelzőlámpa

ÖSSZESZERELÉS

▲ FIGYELMEZTETÉS: Ha bármely alkatrész sérült vagy hiányzik, akkor addig ne használja a terméket, amíg az alkatrész(ek) cseréje meg nem történik. Sérült vagy hiányzó alkatrészekkel történő használat súlyos személyi sérülést okozhat.

▲ FIGYELMEZTETÉS: Ne próbálja módosítani a terméket, és ne készítsen hozzá tartozékokat, amelyek nem javasoltak ehhez a ventilátorhoz. Bármilyen módosítás vagy változtatás helytelen használatnak minősül, és veszélyes feltételeket teremthet, amely súlyos személyi sérüléssel végződhet.

▲ FIGYELMEZTETÉS: Mindig vegye ki az akkumulátoregységet a termékből, amikor összeszereli az alkatrészeket, beállításokat, tisztítást végez, vagy amikor nem használja a terméket. Ha kiveszi az akkumulátoregységet, akkor azzal megelőzi a véletlenszerű indítást, amely súlyos személyi sérüléseket okozhat.

A KERÉKE FELSZERELÉSE (B ábra)

1. Igazítsa az egyik kerék furatát a ventilátor keréktengelyéhez, és szerelje fel a kereket a tengelyre.
2. Csavarja be az egyik keréksavart a kerék furatán keresztül a keréktengelybe, majd a mellékelt csavarkulccsal húzza meg a csavart.
3. Pattintsa fel a díztárcsát a kerékre.
4. Szerelje össze a másik kereket a fenti 1-3. lépéseket követve.

A FELSŐ FOGANTYÚ FELSZERELÉSE (C ábra)

1. Igazítsa a négy mellékelt csavart a felső fogantyú és a ventilátorház furataihoz.

HU

- Helyezze be a csavarokat, majd húzza meg őket a mellékelt csavarkulccsal.

A B és a C. ábra alkatrészeinek leírását lásd lent:

B-1	Kerék (2)	B-3	Csavar alátéttel (2)
B-2	Keréktengely (2)	B-4	Disztárcsa (2)
C-1	Felső fogantyú	C-2	Csavar alátéttel (4)
C-3	Csavarfurat		

HASZNÁLAT

▲ FIGYELMEZTETÉS: Ügyeljen rá nehogy a termékkel szerzett jártassága miatt óvatlanná váljon. Emlékezzon arra, hogy a másodperc töredéke alatt történő óvatlanság súlyos sérülést okozhat.

▲ FIGYELMEZTETÉS: Ne használjon a termék gyártója által nem javasolt tartozékokat. A nem javasolt tartozékok használata súlyos személyi sérüléseket okozhat.

Minden használat előtt ellenőrizze a teljes terméket sérülések, hiányzó vagy laza alkatrészek, pl. csavarok, anyák, alátétek, sapkák stb. szempontjából. Biztonságosan húzzon meg minden rögzítőt és sapkát, és ne használja a terméket, amíg a sérült vagy hiányzó alkatrészeket ki nem cserélték.

▲ FIGYELMEZTETÉS: Mindig vegye ki az akkumulátoregységet a termékből, amikor összeszereli az alkatrészeket, beállításokat, tisztítást végez, vagy amikor nem használja. Ha kiveszi az akkumulátoregységet, akkor azzal megelőzi a véletlenszerű indítást, amely súlyos személyi sérüléseket okozhat.

ALKALMAZÁSOK

A terméket az alább felsorolt célokra használhatja:

- Általános szellőztetés a legtöbb háztartási alkalmazásban
- Kültéri hűtés, ha vízforráshoz van csatlakoztatva

A VENTILÁTOR SZÖGÉNEK BEÁLLÍTÁSA (D. ábra)

- Fogja meg a felső fogantyút a ventilátor burkolat megtartásához.
- Az állítható ventilátor burkolat meglazításához forgassa el a ventilátor burkolat rögzítógombját az ÓRAMUTATÓ JÁRÁSÁVAL ELLENTÉTES irányba.
- Döntse előre vagy hátra az állítható ventilátor burkolatot a kívánt szögbe. A ventilátor akár 90°-kal előre és 135°-kal hátrafelé is dönthető.

- Forgassa el a rögzítógombot az ÓRAMUTATÓ JÁRÁSÁVAL MEGEGYEZŐ irányba, hogy a ventilátor burkolatot a kívánt szögbe rögzítse.

AZ AKKUMULÁTOREGYSÉG BERAKÁSA/KIVÉTELE (E ábra)

Csak az A2 ábrán felsorolt EGO akkumulátoregységeket és töltőket használja.

Az első használat előtt teljesen töltsse fel.

Csatlakoztatás

- A kinyitáshoz húzza ki az elemtartó fedelét.
- Illesse az akkumulátor bordáit az akkumulátorban lévő szerelőnyíláshoz, és nyomja le az akkumulátoregységet, amíg kattantást nem hall.

Leválasztás

- Nyomja le az akkumulátor kioldó gombot, és emelje ki az akkumulátoregységet.
- Nyomja be az elemtartó fedelét, hogy bezárja azt. Győződjön meg róla, hogy teljesen zárva van-e, hogy megakadályozza, nehogy víz érintkezzen az akkumulátorral vagy az akkumulátornyílásba kerüljön.

Az E ábra alkatrészeinek leírását lásd lent

E-1	Akkumulátor kioldógomb
E-2	Akkumulátor tartó fedél

A KÖDVENTILÁTOR INDÍTÁSA/LEÁLLÍTÁSA

MEGJEGYZÉS: A légsebesség gyári alapbeállítása a 3. szint. A ventilátor elmenti az utóljára használt légsebesség beállítást, és újraindításakor visszaállítja azt.

FONTOS: A turbó beállítás nem kerül mentésre.

MEGJEGYZÉS: A ködösítési beállítás nem kerül elmentésre, és alapértelmezés szerint a ventilátor minden bekapcsolásakor ki lesz kapcsolva.

FŐKAPCSOLÓ GOMB

- Nyomja meg röviden a főkapcsoló gombot a ventilátor bekapcsolásához.
- Nyomja meg ismét röviden a főkapcsoló gombot a ventilátor kikapcsolásához.

A LÉGSEBESSÉG BEÁLLÍTÁSA

Normál légsebesség

- Nyomja meg a "+" gombot a légsebesség növeléséhez, a "-" gombot pedig a légsebesség csökkentéséhez. 5 sebességszint van.

- A légsebesség jelzőlámpa a pillanatnyi sebességszintnek megfelelő zöld fényel világít.

TURBO mód

- Nyomja meg a "TURBO" gombot, a TURBO jelzőlámpa zölden világít és a ventilátor "TURBO" módba, azaz a legnagyobb légsebességre kapcsol.
- Ha a "TURBO" módban ismét megnyomja a "TURBO" gombot, a TURBO jelzőlámpa kialszik, és a ventilátor újra a korábban aktív légsebességre kapcsol.
- Ha "TURBO" módban van, nyomja meg a "." gombot, a TURBO jelzőlámpa kialszik, és a ventilátor az 5. légsebességre szintre kapcsol.

KÖDÖSÍTŐ FUNKCIÓ

A VENTILÁTOR HASZNÁLATA VIZES VÖDÖRREL (NEM TARTOZÉK) (F ábra)

▲ FIGYELMEZTETÉS: A gyerekek beleeshetnek a vödörbe és megfulladhatnak. Még akkor is tartsa távol a gyerekeket a vödörtől, ha azokban csak kis mennyiségű folyadék van.

MEGJEGYZÉS: Minden használat előtt tisztítsa meg a vödört tisztítószerezrel és vízzel.

1. Válassza le az akkumulátoregységet.
2. Helyezze a vödört sima, vízszintes felületre.
3. KIZÁRÓLAG tiszta, hideg vizet töltsön a vödörbe. Ne töltsé túl.
4. Merítse a szívócsövet a szűrővel a végén lefelé a vödörbe.

MEGJEGYZÉS: Ne hajlítsa meg a szívócsövet, és mindig ügyeljen arra, hogy a víz egyenletesen áramoljon át a csövön.

5. Helyezze be az akkumulátor csomagot, és zárja be az elemtartó fedelét.
6. A ventilátor bekapcsolásához nyomja meg a főkapcsolót.
7. A ködösítés elindításához nyomja meg a ködösítés mód kiválasztó gombot:

- Nyomja meg egyszer a ködösítés mód kiválasztó gombot, és a ködösítés jelzőlámpa két zöld fényel fog világítani, ami a "folyamatos" ködösítés módot jelzi - megállás nélküli folyamatos ködösítés.

MEGJEGYZÉS: Körülbelül 15 másodpercebe telhet, mire az első alkalommal valóban látni fogja a ködöt, amely a ködfúvókákból jön ki. Ez a késedelem abból adódik, hogy a víznek időbe telik, amíg a vödörből a fúvókákhoz eljut.

- Nyomja meg újra a ködösítési mód kiválasztó gombot, és a ködösítés jelzőlámpa egy zöld fényel fog világítani, ami a "szakaszos" ködösítési módot jelzi - 10 másodpercenként 5 másodpercig tartó ködösítés.

- Ha a ködösítés szakaszos módban van, nyomja meg újra a ködösítés mód kiválasztó gombot, és a ködösítés jelzőlámpái kialszanak, a ködösítés pedig leáll.

MEGJEGYZÉS: Ha a ködösítés befejeződött, húzza ki a szívócsövet a vízből, és addig járassa a ventilátort ködösítés módban, amíg az összes víz ki nem ürül a csőből. Ez segít megelőzni, hogy a csőben maradt víz ne okozzon váratlan ködösítést, amikor a ventilátor újraindul.

A VENTILÁTOR HASZNÁLATA KÖDÖSÍTÉS NÉLKÜL

Szükség szerint ez a termék pusztán ventilátorként is használható, ha nem csatlakozik vízforráshoz. Amikor nem használja, mindig helyezze a szívócsövet a tárolóhelyére (lásd a jelen kézikönyv "TÁROLÁS" című részét), hogy megvédje a sérülésektől és szennyeződésektől.

BELSŐ VÉDELEM

Amikor a ködösítés funkció be van kapcsolva, de nem jön ki vízpára:

- A vízszivattyú egy rövid ideig tovább működik, majd a belső elektronika védelme érdekében automatikusan leáll.
- A ködösítés módtól függően a ködösítés jelzőlámpa egy vagy két folyamatos zöld fényel világít egy rövid ideig, majd folyamatosan villogó zöld fény(ek) figyelmezteti(k) a kezelőt, hogy:
 - a. Ellenőrizze, hogy a szívócső megfelelően bemező-e a vízbe.
 - b. Ellenőrizze, hogy a ködfúvóka(ák) eltömődött(tek)-e, és tisztítsa meg a "FÚVÓKA KARBANTARTÁS" c. fejezet szerint.
 - c. A ködösítés újraindításához nyomja meg a ködösítés mód kiválasztó gombot.

KARBANTARTÁS

▲ FIGYELMEZTETÉS: Szervizeléskor csak azonos cserealkatrészeket használjon. Bármilyen más alkatrész használata veszélyt okozhat, vagy megrongálhatja a terméket. A biztonságosság és megbízhatóság biztosítása érdekében minden javítást szakképzett szerviztechnikusnak kell elvégeznie.

▲ FIGYELMEZTETÉS: A súlyos személyi sérülések elkerülése érdekében mindig vegye ki az akkumulátoregységet a termékből tisztítás vagy karbantartás alatt.

ÁLTALÁNOS KARBANTARTÁS

A műanyag alkatrészek tisztításához ne használjon oldószereket. A legtöbb műanyag különböző vegyi oldószerek hatására károsodik, ezek megrongálhatják őket. Használjon tiszta ruhát a szennyeződés, por, olaj, zsír, stb. eltávolításához.

▲ FIGYELMEZTETÉS: Fékolaj, benzin, petróleum alapú termékek, behatoló olajok stb. soha ne érintkezzenek a műanyag alkatrészekkel. A vegyszerek megrongálhatják, gyengíthetik vagy megtámadhatják a műanyagot, ezáltal súlyos személyi sérülést okozhatnak.

FÚVÓKA KARBANTARTÁS (G ábra)

▲ FIGYELMEZTETÉS: A vízvívárgás megelőzése érdekében gondoskodjon róla, hogy valamennyi ködösítő fúvóka karbantartása megfelelően legyen elvégezve. A szivárgás csúszós felületet eredményezhet, ami csúszás- és esésveszélyt, vagy anyagi károkat okozhat.

A fúvókák tisztítása:

1. Kapcsolja ki a ventilátort, és vegye ki az akkumulátorcsomagot.
2. Távolítsa el az eltömődött sárgaréz ködösítő fúvókákat az ÓRAMUTATÓ JÁRÁSÁVAL ELLENTÉTES irányba forgatva.
3. Az összes érintett fúvókát szerelje szét részekre.
4. A fúvókákat eltömítő vagy akadályozó **idegen részecskék eltávolítása** érdekében a fúvóka részeket öblítse át vízzel. A **vízke (ásványi anyag) lerakódások eltávolításához** szükség szerint tisztítsa meg a fúvóka részeit fehér ecettel vagy más vízköoldó szerrel.
5. Szerelje vissza a fúvókákat.

MEGJEGYZÉS: Az eltömődés elkerülése érdekében győződjön meg arról, hogy a fúvókát pontosan a G. ábrán látható módon szerelte-e össze.

6. Illessze vissza a tiszta fúvókákat.

A SZŰRŐ KARBANTARTÁSA (H ábra)

Rendszeresen ellenőrizze a szívócső végén lévő szűrőt, hogy meggyőződjön arról, hogy jó állapotban van.

1. Húzza le a szűrőt a szívócsőről.
2. Csavarja szét a szűrőt, és vegye ki a szivacsahlót.
3. Öblítse ki a szivacsahlót, vagy szükség esetén cserélje ki.
4. Szerelje vissza a szűrőt, és csatlakoztassa újra a szívócsőhöz.

A H ábra alkatrészeinek leírását lásd lent

H-1	Szűrő	H-3	Szivacsahló
H-2	Felső rész	H-4	Alsó rész

A VENTILÁTOR BURKOLATÁNAK KARBANTARTÁSA (I1. és I2. ábra)

▲ FIGYELMEZTETÉS:A védőburkolat eltávolítása előtt győződjön meg róla, hogy az akkumulátoregységeket eltávolította-e a termékből.

1. Lazítsa meg és távolítsa el a hat csavart, hogy az elülső védőrácsot RÉSZLEGESEN leemelje a ventilátor burkolatáról.

▲ VIGYÁZAT: A sérülések elkerülése érdekében ne távolítsa el teljesen az első védőrácsot anélkül, hogy ELŐSZÖR a szívócsövet le ne csatlakoztatná.

2. A szívócső kihúzásához nyomja le az anya végén lévő fekete gumit.
3. Távolítsa el teljesen az elülső védőrácsot.
4. Forgassa el a ventilátorlapát rögzítő burkolatot az óramutató járásával megegyező irányba, hogy a ventilátorlapátot leoldja a tengelyről.
5. Távolítsa el a ventilátorlapátot.
6. Szükség szerint tisztítsa meg a ventilátorlapátot és a burkolat belsejét.
7. Fordított sorrendben újra szerelje össze őket, és győződjön meg róla, hogy:
 - a szívócső megfelelően csatlakozik-e az anyához.
 - a szívócső megfelelően van-e behelyezve a védőrács nyílásába.

A I1 és I2 ábra alkatrészeinek leírását lásd lent

I1-1	Elülső védőrács	I1-4	Fekete gumi
I1-2	Csavar (6)	I1-5	Szívócső
I1-3	Anya	I2-1	Rögzítő burkolat
I2-2	Ventilátorlapát		

SZÁLLÍTÁS

- A ventilátor felső fogantyúval van ellátva, amely lehetővé teszi a ventilátor szállítását rövid távú utazásokhoz vagy egyenletlen felületen/terepen való átkeléshez.
- Hosszú távú szállításhoz használja a teleszkópos fogantyút a ventilátor gurításához. A felső fogantyúval döntse meg a ventilátort, majd húzza ki a teleszkópos fogantyút, amíg "kattanást" nem hall. Ha a teleszkópos fogantyút nem használja, nyomja be a készülékbe (J ábra).

TÁROLÁS

1. Vegye le az akkumulátoregységet.
2. Alaposan tisztítsa meg a ventilátort.
3. Űritse ki a szívócsövet és a szűrőt.
4. Helyezze a szívócsövet a ventilátor hátulján található tárolóba (K1. és K2. ábra).
5. A ventilátort száraz, jól szellőző helyen tárolja, ahol gyermekek nem férhetnek hozzá. Ne tárolja a ventilátort trágya, benzin vagy más vegyszerek mellett vagy ezeken.

KÖRNYEZETVÉDELEM



Ne dobja az elektromos eszközt, az elhasznált akkumulátort és a töltőt a háztartási hulladékok közé! Vigye hivatalos újrahasznosító telephelyre, és tegye hozzáférhetővé a szelektív gyűjtéshez. Az elektromos eszközöket megfelelő környezetbarát újrahasznosító üzembe kell vinni.

HIBAELHÁRÍTÁS

PROBLÉMA	OK	MEGOLDÁS
A készülék nem működik.	<ul style="list-style-type: none"> ■ Az akkumulátorcsomag töltöttsége alacsony. ■ Az akkumulátorcsomag vagy a ventilátor túl forró. 	<ul style="list-style-type: none"> ■ Töltse fel az akkumulátoregységet. ■ Kapcsolja ki a ventilátort, és hagyja, hogy a ventilátor és az akkumulátorcsomag lehűljön.
Nincs ködösítés, és a ködösítő jelzőlámpa két zöld fényel villog.	<ul style="list-style-type: none"> ■ A szívócső nem szívja el a vizet, és aktiválja a készülékben lévő vízszivattyú belső védelmét. ■ A ködfúvóka(ák) működés közben eltömődött(-tek), és aktiválta(-ták) a vízszivattyú belső védelmét. 	<ul style="list-style-type: none"> ■ Ellenőrizze és győződjön meg róla, hogy van-e elegendő víz a vödörben, és a szívócső megfelelően bemezől-e a vízbe. ■ Tisztítsa meg a fúvóká(ka)t a "FÚVÓKA KARBANTARTÁS" fejezet szerint, és szerelje vissza őket az utasításoknak megfelelően.
A ventilátor burkolat karbantartása után vízszivárgás jelentkezik.	<ul style="list-style-type: none"> ■ A szívócsőhöz csatlakozó anya váratlanul meglazult. 	<ul style="list-style-type: none"> ■ Nyissa ki a ventilátor burkolatát a "VENTILÁTOR BURKOLAT KARBANTARTÁSA" című fejezetnek megfelelően. Ellenőrizze és győződjön meg róla, hogy az anya teljesen meg van-e húzva.

HU

GARANCIA

EGO GARANCIÁLIS FELTÉTELEK

Kérjük, látogasson el az egopowerplus.com oldalra, ahol megtalálja a részletes EGO garanciális feltételeket.

CITIȚI TOATE INSTRUCȚIUNILE!



CITIȚI MANUALUL DE INSTRUCȚIUNI

⚠️ AVERTISMENT: Pentru siguranța și fiabilitatea produsului, toate reparațiile și înlocuirile de piese ar trebui efectuate de către un tehnician de service autorizat.

SIMBOLURI PRIVIND SIGURANȚA

Scopul simbolurilor privind siguranța este să vă atragă atenția asupra pericolelor posibile. Simbolurile privind siguranța și explicațiile furnizate cu acestea merită atenția și înțelegerea dumneavoastră. Avertizările simbolurilor nu elimină, prin ele însele, niciun pericol. Instrucțiunile și avertizările pe care le oferă acestea nu pot înlocui măsurile adecvate de prevenire a accidentelor.

⚠️ AVERTISMENT: Asigurați-vă că ați citit și înțelegeți toate instrucțiunile privind siguranța din acest Manual de utilizare, inclusiv toate simbolurile de alertă privind siguranța precum **“PERICOL”**, **“AVERTIZARE”** și **“ATENȚIE”** înainte de a utiliza această sculă. Nerespectarea tuturor instrucțiunilor enumerate mai jos poate duce la electrocutare, incendii și/sau vătămări corporale grave.

	Alertă privind siguranța	Precauții care implică siguranța dumneavoastră
	Citiți și înțelegeți manualul de instrucțiuni	Pentru a reduce riscul de vătămare, utilizatorul trebuie să citească și să înțeleagă manualul de instrucțiuni înainte de a utiliza acest produs.
	Condiție de ploaie	A nu se expune la ploaie.
	CE	Acest produs este în conformitate cu directivele europene aplicabile.
	UKCA	Acest produs este în conformitate cu legislația aplicabilă din Marea Britanie.

	DEEE	Deșeurile produselor electrice nu trebuie să fie eliminate împreună cu deșeurile menajere. Predați-le unui punct de reciclare autorizat.
IPX4	Grad de protecție împotriva factorilor externi	Protecție împotriva stropilor de apă
	Curent continuu	Tip sau o caracteristică de curent
V	Volt	Tensiune
cm	Centimetru	Lungime sau dimensiune
m/s	Kilometri pe secundă	Viteză
L/h	Litri pe oră	Debitul
°C	Celsius	Temperatură
kg	Kilograme	Greutate

AVERTISMENTE GENERALE DE SIGURANȚĂ

⚠️ AVERTISMENT: Pentru a evita riscul de incendii, șoc electric sau rănire:

- **Cunoaște-ți ventilatorul cu nebulizare. Citiți cu atenție manualul de instrucțiuni. Învățați aplicațiile și limitele ventilatorului, precum și riscurile specifice potențiale legate de acest ventilator.** Respectând această regulă, veți reduce riscul de electrocutare, incendii sau de vătămare corporală gravă.
- Acest aparat nu este destinat folosirii de către persoane (inclusiv copii) cu capacități fizice, senzoriale sau intelectuale reduse, sau lipsite de experiență ori cunoștințe, exceptând cazul în care acestea sunt supravegheate sau instruite în prealabil de o persoană responsabilă de securitatea lor.
- Copiii trebuie să fie supravegheați pentru a vă asigura că nu se joacă cu aparatul.

SIGURANȚA ZONEI DE LUCRU

- **Nu puneți în funcțiune ventilatorul în atmosfere explozive, cum ar fi în prezența lichidelor, gazelor sau prafurilor inflamabile.**
- **Țineți copiii și persoanele prezente la distanță atunci când utilizați un aparat.** Distragerea atenției vă

RO

poate face să pierdeți controlul.

- **Aveți grijă când utilizați în condiții de vânt.** Vânturile pot transporta ceață în cablurile sau dispozitivele electrice.
- **Nu expuneți aparatul la ploaie sau în condiții umede.** Pătrunderea apei într-un aparat va crește riscul de electrocutare.

SIGURANȚA PERSONALĂ

- **Păstrați-vă vigilența, urmăriți ceea ce faceți și apelați la bunul simț când utilizați un aparat. Nu utilizați aparatul când sunteți obosit, sau sub influența medicamentelor, a alcoolului sau a medicației.** Un moment de neatenție în timp ce utilizați aparatul se poate solda cu vătămări grave.
- **Preveniți pornirea accidentală. Asigurați-vă că întrerupătorul este în poziția oprit înainte de conectarea la acumulator, ridicarea sau transportarea dispozitivului.** Purtarea aparatului cu degetul pe comutator sau alimentarea cu energie a aparatului care are comutatorul pornit provoacă accidente.
- **Îndepărtați orice cheie de reglare sau cheie fixă înainte de a porni aparatul.** O cheie lăsată într-o piesă rotativă a sculei electrice poate duce la accidente.
- **Nu încercați să ajungeți în locuri inaccesibile. Păstrați-vă stabilitatea și echilibrul în orice moment.** Astfel veți avea un control mai bun asupra sculei electrice în situații neașteptate.
- **Îmbrăcați-vă corespunzător. Nu purtați haine largi sau bijuterii. Păstrați-vă părul și îmbrăcămintea departe de componentele în mișcare.** Îmbrăcămintea largă, bijuteriile sau părul lung pot fi prinse de piesele în mișcare.
- **Verificați dacă toate conexiunile sunt sigure înainte de a utiliza aparatul.**
- **Nu permiteți ca familiaritatea dobândită în urma utilizării frecvente a aparatelor să vă facă să neglijați sau să nesocotiți principiile de siguranță ale aparatului.** O operație neglijentă poate cauza vătămări grave într-o fracțiune de secundă.

UTILIZAREA ȘI ÎNGRIJIREA

- **Nu utilizați aparatul dacă întrerupătorul nu comută pe pozițiile pornit și oprit.** Un aparat care nu poate fi controlat cu întrerupătorul este periculos și trebuie reparat.
- **Deconectați setul de acumulatori de la aparatul înainte de a efectua orice reglare, de a schimba accesoriile sau de a depozita aparatul.** Astfel de

măsuri preventive de siguranță reduc riscul pornirii aparatului accidental.

- **Păstrați aparatul inactiv la îndemâna copiilor și nu permiteți persoanelor care nu sunt familiarizate cu aparatul sau cu aceste instrucțiuni să opereze aparatul.** Aparatele electrice sunt periculoase în mâinile utilizatorilor neinstruiți.
- **Întreține aparatul și accesoriile. Verificați dacă există abateri de la coaxialitate sau gripări ale pieselor în mișcare, avarii ale pieselor și orice altă situație care poate afecta funcționarea aparatului.** Dacă este deteriorat, reparați aparatul înainte de utilizare. Multe accidente sunt cauzate de aparate prost întreținute.
- **Utilizați aparatul, accesoriile și capetele etc. în conformitate cu aceste instrucțiuni, ținând cont de condițiile de lucru și lucrarea de efectuat.** Utilizarea sculei electrice pentru operații diferite de cele intenționate s-ar putea solda cu o situație periculoasă.
- **Mențineți mânerul și suprafețele de apucat uscate, curate și fără ulei și vaselină.** Mânerul și suprafețele de apucare alunecoase nu permit manevrarea în siguranță și controlul asupra sculei în situații neașteptate.

⚠ AVERTISMENT: Pentru a reduce riscul de incendiu sau șoc electric, nu utilizați acest ventilator cu niciun dispozitiv de control al vitezei în stare solidă.

UTILIZAREA ȘI ÎNGRIJIREA ACUMULATORULUI

- **Reîncărcați numai cu încărcătorul specificat de producător. Un încărcător adecvat pentru un tip de set de acumulatori poate prezenta risc de incendiu dacă este utilizat cu alt set de acumulatori.**
- **Utilizați aparate numai cu acumulatori special destinați. Utilizarea oricărui alt set de acumulatori prezintă risc de accidente și incendiu.**
- **Când nu se utilizează setul de acumulatori, țineți-l departe de alte obiecte metalice precum clamele de hârtie, monedele, cheile, cuietele, șuruburile sau alte obiecte metalice mici care pot realiza o conexiune între borne. Scurtcircuitarea bornelor acumulatorului poate produce arsuri sau un incendiu.**
- **În condiții abuzive se poate scurge lichid din acumulator; evitați contactul. Dacă are loc contactul accidental, clătiți cu apă. Dacă lichidul intră în contact cu ochii, efectuați suplimentar un consult medical. Lichidul scurs din acumulator poate produce iritări sau arsuri.**
- **Nu utilizați un set de acumulatori sau un aparat care este deteriorat sau modificat. Acumulatorii deteriorați**

sau modificații pot prezenta comportament imprevizibil, care poate duce la incendiu, explozie sau risc de vătămare.

- **Nu expuneți un acumulator sau dispozitivul la foc sau la temperaturi excesive.** Expunerea la foc sau la temperaturi de peste 130°C poate provoca explozie.
- **Urmați toate instrucțiunile de încărcare și nu încărcăți acumulatorul sau aparatul în afara intervalului de temperatură specificat în instrucțiuni.** Încărcarea necorespunzătoare sau la temperaturi în afara domeniului specificat poate duce la deteriorarea acumulatorului și la creșterea riscului de incendiu.

SERVICE

- **Duceți aparatul la depanat pentru a fi reparată de o persoană calificată utilizând numai piese de schimb identice.** Acest lucru va asigura menținerea siguranței aparatului.
- **Nu efectuați niciodată operații de service asupra seturilor de acumulatori deteriorați.** Depanarea acumulatorilor trebuie să fie efectuată numai de producător sau de prestatorii autorizați de servicii.

INSTRUCȚIUNI DE SIGURANȚĂ PENTRU VENTILATORUL CU NEBULIZARE CU ACUMULATOR

- **Nu permiteți ca ventilatorul să fie folosit ca jucărie.** Se recomandă atenție sporită când aparatul este utilizat de către sau în vecinătatea copililor.
- **Copiii pot cădea în găleți și se pot îneca.** Țineți copiii departe de găleți chiar și cu o cantitate mică de lichid.
- **Folosiți NUMAI apă curată și rece.**
- **Nu utilizați acest ventilator cu nebulizare pentru a pulveriza pesticide, îngrășăminte lichide, substanțe chimice sau alte lichide decât apa curată.** Împrăștierea acestor substanțe poate cauza rănirea gravă a utilizatorului și a trecătorilor.
- **Nu direcționați niciodată ceața sau apa către cabluri sau dispozitive electrice.**
- **Asigurați-vă că capacul compartimentului bateriei este complet închis pentru a împiedica apa să intre în contact cu bateria sau să intre în portul bateriei.**
- **Mențineți aparatul și mânerul său uscat, curat și fără ulei sau unsoare. Utilizați întotdeauna o cârpă curată la curățare. Nu utilizați lichid de frână, benzină, produse pe bază de petrol sau orice alți solvenți puternici pentru a curăța ventilatorul.** Respectarea acestei reguli va reduce riscul de pierdere a controlului și de deteriorare a carcasei din plastic.

- **Acumulatorii pot exploda în prezența unei surse de aprindere precum o lampă indicatoare. Pentru a reduce riscul de accidentare corporală gravă, nu utilizați niciodată un produs fără fir în prezența unei flăcări deschise.** Un acumulator care explodează poate proiecta resturi și chimicale. În caz de expunere, clătiți imediat cu apă.
- **Păstrați aceste instrucțiuni.** Consultați-le frecvent și utilizați-le pentru a instrui alte persoane care ar putea utiliza acest ventilator. Dacă împrumutați cuiva acest ventilator, împrumutați-i și aceste instrucțiuni pentru a preveni utilizarea inadecvată a produsului și posibilele vătămări.
- **Fiți conștienți de faptul că nivelurile ridicate de umiditate pot încuraja creșterea organismelor biologice în mediu.**
- **Nu permiteți ca zona din jurul ventilatorului cu nebulizare să devină umedă sau umezită.** Dacă apare umezeală, reduceți puterea ventilatorului cu nebulizare. Dacă volumul de ieșire al ventilatorului cu nebulizare nu poate fi redus, utilizați umidificatorul în mod intermitent. Nu lăsați materialele absorbante, cum ar fi covoarele, draperiile, draperiile sau fețele de masă, să se umezească.
- **Nu lăsați niciodată apă în rezervor când aparatul nu este în uz.**
- **Goliți și curățați ventilatorul cu nebulizare înainte de depozitare. Curățați umidificatorul înainte de următoarea utilizare.**


⚠ AVERTISMENT: Microorganismele care pot fi prezente în apă sau în mediul în care aparatul este utilizat sau depozitat, pot crește în rezervorul de apă și pot fi suflate în aer provocând riscuri foarte grave pentru sănătate atunci când apa nu este reînnoită și rezervorul nu este curățat corespunzător la fiecare 3 zile.

- **Bateriile reîncărcabile trebuie scoase din aparat înainte de a fi încărcate**
- **Bateriile epuizate trebuie scoase din aparat și aruncate în siguranță**
- **Dacă aparatul trebuie păstrat neutilizat pentru o perioadă lungă de timp, bateriile trebuie scoase.**
- **Bornele de alimentare nu trebuie scurtcircuitate.**

PĂSTRAȚI ACESTE INSTRUCȚIUNI

RO

SPECIFICAȚII

Tensiune	56 V 
Diametrul paletei ventilatorului	45,7 cm
Setare a vitezei ventilatorului	6 (inclusiv „Turbo“)
Max. Volum de aer	7000 m ³ /h
Max. Viteza aerului	10,3 m/s
Volumul apei de nebulizare	I: 4,5 L/h
	II: 11,4 L/h
Temperatură de depozitare recomandată	-20°C ~ 70°C
Greutate (fără set de acumulatori)	10,4 kg

LISTA COMPONENTELOR

DENUMIREA PIESELOR		CANTITATE
Ventilator cu nebulizare		1
Ansamblul roții	Roată	2
	Capac ax	2
	Șurub cu șaibă	2
Ansamblu mâner frontal	Mâner superior	1
	Șurub cu șaibă	4
Cheie		1
Duză de rezervă		1
Manual de utilizare		1

DESCRIEREA

CUNOAȘTE-ȚI VENTILATORUL CU NEBULIZARE (Fig. A și Fig. A1)

- Mâner superior
- Carcasa ventilatorului
- Buton de blocare a carcasei ventilatorului
- Roată (x2)
- Duză de nebulizare(x4)
- Mâner telescopic
- Compartiment de acumulatori

- Tub de admisie aer
- Filtrul
- Interfață de control
- Buton de alimentare
- Indicator de viteză a aerului
- Indicator TURBO
- Buton TURBO
- Butonul de reglare a vitezei aerului
- Buton de selectare a nebulizării
- Indicator de nebulizare

ASAMBLARE

⚠️ AVERTISMENT: Dacă unele piese sunt deteriorate sau lipsesc, nu utilizați acest produs până la înlocuirea pieselor. Utilizarea acestui produs cu piese deteriorate sau lipsă s-ar putea solda cu vătămări grave.

⚠️ AVERTISMENT: Nu încercați să modificați acest produs sau să creați accesorii nerecomandate pentru acest ventilator. Orice astfel de modificare sau schimbare reprezintă o utilizare necorespunzătoare și se poate solda cu condiții periculoase care pot conduce la posibile vătămări grave.

⚠️ AVERTISMENT: Scoateți întotdeauna setul de acumulatori din produs înainte de a asambla componente, a efectua reglaje, a curăța sau atunci când produsul nu este utilizat. Îndepărtarea setului de acumulatori va preveni pornirea accidentală care poate cauza răni personale grave.

MONTAREA ROȚILOR (Fig. B)

- Aliniați orificiul uneia dintre roți cu axul roții a ventilatorului și montați roata pe axă.
- Treceți unul dintre șuruburile roții prin orificiul roții în axul roții, apoi strângeți șurubul cu cheia furnizată.
- Fixați capacul butucului pe roată.
- Asamblați cealaltă roată urmând pașii 1 - 3 de mai sus.

ATAȘAREA MÂNERULUI SUPERIOR (Fig. C)

- Aliniați patru șuruburi furnizate cu orificiile din mânerul superior și orificiile din carcasa ventilatorului.
- Introduceți șuruburile și apoi strângeți-le cu cheia furnizată.

Fig. B și Fig. C pentru descrierea componentelor, consultați tabelul de mai jos:

B-1	Roata (2)	B-3	Șurub cu șaibă (2)
B-2	Axul roții (2)	B-4	Capac butuc (2)
C-1	Mâner superior	C-2	Șurub cu șaibă(4)
C-3	Gaură șurub		

FUNȚIONARE

⚠️ AVERTISMENT: Nu permiteți ca familiarizarea cu acest produs să vă determine să fiți neatenți. Amintiți-vă că o fracțiune de secundă de neatenție este suficientă pentru a provoca vătămări grave.

⚠️ AVERTISMENT: Nu utilizați nicio componentă sau accesoriu care nu a fost recomandat de producătorul acestui produs. Utilizarea de accesorii nerecomandate se poate solda cu vătămări grave.

Înainte de fiecare utilizare, inspectați întregul produs pentru depistarea defectelor, componentelor lipsă sau slăbite precum șuruburi, piulițe, bolțuri, capace etc. Strângeți bine toate elementele de prindere și capacele și nu utilizați acest produs dacă piesele lipsă sau defecte nu sunt înlocuite.

⚠️ AVERTISMENT: Întotdeauna scoateți setul de acumulatori din produs înainte de a asambla componente, efectua reglaje, curăța sau când produsul nu este utilizat. Îndepărtarea setului de acumulatori va preveni pornirea accidentală care poate cauza răni personale grave.

APLICAȚII

Puteți utiliza acest produs în scopurile menționate mai jos:

- Ventilație generală în majoritatea aplicațiilor casnice
- Răcire în aer liber în timp ce este conectat la o sursă de apă

REGLAREA UNGHIULUI VENTILATORULUI (Fig. D))

1. Prindeți mânerul superior pentru a ține carcasa ventilatorului.
2. Rotiți butonul de blocare a incintei ventilatorului ÎN SENS ANTIORAR pentru a slăbi carcasa reglabilă a ventilatorului.
3. Înclinați carcasa reglabilă a ventilatorului înainte sau înapoi la unghiul dorit. Ventilatorul poate pivota până la 90° înainte și până la 135° înapoi.

4. Rotiți butonul de blocare în SENSUL ACELOR DE CEASORNIC pentru a fixa carcasa ventilatorului în unghiul dorit.

ATAȘAREA ȘI DETAȘAREA SETULUI DE ACUMULATORI (Fig. E)

Utilizați numai seturile de acumulatori EGO și încărcătoarele prezentate în Fig. A2.

Încărcați acumulatorul complet înainte de prima utilizare.

Pentru atașare

1. Trageți capacul compartimentului bateriei pentru a-l deschide.
2. Aliniați nervurile de pe acumulator cu fantele de instalare și apăsați în jos setul de acumulatori până la auzul unui clic.

Pentru detașare

1. Apăsați butonul de detașare al setului de acumulatori și scoateți setul de acumulatori.
2. Împingeți capacul compartimentului bateriei pentru a-l închide. Asigurați-vă că este complet închis pentru a împiedica apa să intre în contact cu bateria sau să intre în portul bateriei.

Pentru descrierea pieselor din Fig. E, consultați mai jos:

E-1	Buton de eliberare a acumulatorului
E-2	Capacul compartimentului bateriei

RO

PENTRU A PORNII/OPRI VENTILATORUL CU NEBULIZARE

OBSERVAȚIE: Setarea inițială din fabrică pentru viteza aerului este nivelul 3. Ventilatorul va salva ultima setare de viteză a aerului utilizat și va reveni la ea la repornire.

IMPORTANT: Setarea turbo nu va fi salvată.

OBSERVAȚIE: Setarea de nebulizare nu va fi salvată și, implicit, va fi oprită de fiecare dată când ventilatorul este pornit.

BUTON DE ALIMENTARE

- Apăsați butonul de alimentare pentru scurt timp pentru a PORNII ventilatorul.
- Apăsați din nou butonul de alimentare pentru scurt timp pentru a OPRI ventilatorul.

REGULATOR VITEZEI AERULUI

Viteza normală a aerului

- Apăsăți butonul „+” pentru a accelera viteza aerului și apăsați butonul „-” pentru a reduce viteza aerului. Există 5 niveluri de viteză.
- Indicatorul de viteză a aerului afișează lumini verzi corespunzătoare nivelurilor curente de viteză.

Mod TURBO

- Apăsăți butonul „TURBO”, indicatorul TURBO se va aprinde în verde și ventilatorul va trece în modul „TURBO”, adică cea mai mare viteză a aerului.
- Când vă aflați în modul „TURBO”, apăsați din nou butonul „TURBO”, indicatorul TURBO se va stinge și ventilatorul va relua viteza aerului activă anterior.
- Când vă aflați în modul „TURBO”, apăsați butonul „-”, indicatorul TURBO se va stinge și ventilatorul va trece la nivelul de viteză a aerului 5.

FUNCȚIE DE NEBULIZARE

UTILIZAREA VENTILATORULUI CU O GĂLEATĂ DE APĂ (NU ESTE INCLUSĂ) (Fig. F)

⚠️ AVERTISMENT: Copiii pot cădea în găleți și se pot îneca. Țineți copiii departe de găleți care conțin chiar și o cantitate mică de lichid.

RO

OBSERVAȚIE: Curățați găleata cu apă și săpun înainte de fiecare utilizare.

1. Deconectați setul de acumulatori.
2. Așezați găleata pe o suprafață plană și plană.
3. Adăugați NUMAI apă curată și rece în găleată. Nu supra-umpleți.
4. Scufundați capătul filtrului al tubului de admisie în găleata de apă.

OBSERVAȚIE: Nu îndoiți tubul de admisie și asigurați-vă întotdeauna că apa curge lin prin tub.

5. Instalați acumulatorul și închideți capacul compartimentului bateriei.
 6. Apăsăți butonul de pornire pentru a porni ventilatorul.
 7. Apăsăți butonul de selectare a modului de nebulizare pentru a începe nebulizarea:
- Apăsăți butonul de selectare a modului de nebulizare o dată, iar indicatorul de nebulizare va aprinde două lumini verzi care indică modul de nebulizare „continuu” - nebulizarea tot timpul fără oprire.

OBSERVAȚIE: Poate dura aproximativ 15 secunde până când veți vedea de fapt ceața care iese din duzele de nebulizare pentru prima dată. Această întârziere se datorează timpului necesar pentru ca apa să curgă din găleată de apă către duze.

- Apăsăți din nou butonul de selecție a modului de nebulizare și indicatorul de nebulizare va aprinde o lumină verde care indică modul de nebulizare „intermitent” - nebulizarea timp de 5 secunde la fiecare 10 secunde.
- Când nebulizarea este în modul intermitent, apăsați din nou butonul de selectare a modului de nebulizare și luminile indicatoare de nebulizare se vor stinge și nebulizarea se va opri.

OBSERVAȚIE: Când operațiunea de nebulizare este terminată, trageți tubul de admisie din apă și porniți ventilatorul în modul de nebulizare până când toată apa se curăță din tub. Acest lucru ajută la prevenirea ca apa reziduală din tub să provoace nebulizare neașteptată atunci când ventilatorul este pornit din nou.

UTILIZAREA VENTILATORULUI FĂRĂ NEBULIZARE

Dacă se dorește, acest produs poate fi folosit doar ca ventilator, atunci când nu este conectat la o sursă de apă. Când nu este utilizat, așezați întotdeauna tubul de admisie în zona sa de depozitare (vezi secțiunea „DEPOZITARE” din acest manual) pentru a-l proteja de deteriorare și contaminare.

PROTECȚIE INTERNĂ

Când funcția de nebulizare este activată, dar nu iese ceață de apă:

- Pompa de apă va continua să funcționeze pentru o perioadă scurtă de timp, apoi se va opri automat pentru a proteja electronicele interne.
 - În funcție de modul de nebulizare, indicatorul de nebulizare va afișa una sau două lumini verzi continue pentru o perioadă scurtă de timp, apoi va clipi lumini verzi continuu ca o alertă pentru operator:
- a. Verificați dacă tubul de admisie este scufundat corect în apă.
 - b. Verificați dacă duzele de nebulizare sunt înfundate și curățați conform capitolului „ÎNȚEȚINEREA DUZELOR”.
 - c. Apăsăți butonul de selectare a modului de nebulizare pentru a reporni nebulizarea.

ÎNȚREȚINEREA

⚠️ AVERTISMENT: La depanare, utilizați numai piese de schimb identice. Utilizarea oricăror altor piese poate crea un pericol sau poate produce o deteriorare. Pentru siguranța și fiabilitatea produsului, toate reparațiile trebuie efectuate de către un tehnician de service autorizat.

⚠️ AVERTISMENT: Pentru evitarea vătămărilor personale grave, îndepărtați întotdeauna setul de acumulatori din sculă când curățați sau efectuați orice operație de întreținere.

ÎNȚREȚINERE GENERALĂ

Evitați utilizarea solvenților când curățați piese din plastic. Majoritatea pieselor din plastic sunt susceptibile să se deterioreze de la diverse tipuri de solvenți comerciali și se pot defecta prin utilizarea acestora. Utilizați lavete curate pentru a îndepărta murdăria, praful, uleiul, vaselina etc.

⚠️ AVERTISMENT: Nu permiteți niciodată lichidelor de frână, benzinei, produselor petroliere, uleiurilor penetrante etc. să intre în contact cu piese din plastic. Substanțele chimice pot deteriora, pot fragiliza sau pot distruge plasticul, ceea ce se poate solda cu vătămări grave.

ÎNȚREȚINEREA DUZELOR (Fig. G)

⚠️ AVERTISMENT: Asigurați-vă că toată întreținerea duzei de nebulizare este efectuată corespunzător pentru a preveni scurgerile de apă. Scurgerile pot duce la o suprafață alunecoasă, creând un pericol de alunecare și cădere sau poate cauza daune materiale.

Pentru curățarea duzelor:

- Oprii ventilatorul și scoateți setul de acumulatori.
- Scoateți duzele de nebulizare din alamă înfundate rotindu-le în sens antiorar.
- Dezasamblați fiecare duză afectată în părți.
- Pentru a îndepărta orice particule străine care înfundă sau limitează duzele, clătiți piesele duzei cu apă. Pentru a elimina depunerile de calcar (minerale), curățați părțile duzei cu oțet alb sau alt agent de detartrare, după cum este necesar.
- Reasamblați duzele.

OBSERVAȚIE: Pentru a preveni înfundarea, asigurați-vă că duza este asamblată exact așa cum se arată în Fig. G.

- Reatașați duzele curate.

ÎNȚREȚINEREA FILTRULUI (Fig. H)

Examinați periodic filtrul de la capătul tubului de admisie pentru a vă asigura că este în stare bună.

- Scoateți filtrul din tubul de admisie.
- Deșurubați filtrul în părți și scoateți plasa de burete.
- Clătiți plasa de burete sau înlocuiți-o dacă este necesar.
- Reasamblați filtrul și reconectați-l la tubul de admisie.

Pentru descrierea pieselor din Fig. H, consultați mai jos:

H-1	Filtrul	H-3	Plasa de burete
H-2	Partea de sus	H-4	Partea Inferioară

ÎNȚREȚINEREA INCINTEI VENTILATORULUI

(Fig. I1 și Fig. I2)

⚠️ AVERTISMENT: Asigurați-vă că bateriile sunt scoase din produs înainte de a scoate protecția.

- Slăbiți și îndepărtați cele șase șuruburi pentru a ridica PARȚIAL protecția grătarului frontal de pe carcasa ventilatorului.

⚠️ ATENȚIE: Pentru a preveni deteriorarea, nu scoateți complet apărătoarea grătarului din față fără a deconecta ÎNTĂI tubul de admisie.

- Apăsăți cauciucul negru de la capătul piuliței pentru a scoate tubul de admisie.
- Scoateți complet protecția grătarului din față.
- Rotiți capacul de blocare a palelor ventilatorului în sensul acelor de ceasornic pentru a elibera paleta ventilatorului de pe arbore.
- Scoateți paleta ventilatorului.
- Curățați paleta ventilatorului și interiorul carcasei după cum este necesar.
- Reasamblați-le în ordine inversă și asigurați-vă că:
 - tubul de admisie este conectat corect la piuliță.
 - tubul de admisie este plasat corect în fanta de pe apărătoarea grătarului.

Fig. I1 și I2 descrierea pieselor vezi mai jos

I1-1	Protecția grilă frontală	I1-4	Cauciuc negru
I1-2	Șurub (6)	I1-5	Tub de admisie aer
I1-3	Piuliță	I2-1	Blocare carcasă
I2-2	Lama ventilatorului		

TRANSPORT

- Ventilatorul este echipat cu un mâner superior pentru transportul ventilatorului pentru deplasări pe distanțe scurte sau traversarea suprafețelor/terenului accidentat.

RO

- Pentru transportul pe distanțe lungi, utilizați mânerul telescopic pentru a rula ventilatorul. Folosiți mânerul superior pentru a înclina ventilatorul și apoi trageți mânerul telescopic până când auziți un „clic”. Când mânerul telescopic nu este folosit, împingeți-l în aparat (Fig. J).

DEPOZITARE

1. Îndepărtați setul de acumulatori.
2. Curățați bine ventilatorul.
3. Goliți tubul de admisie și filtrul.
4. Așezați tubul de admisie în oricare dintre pozițiile de depozitare situate în partea din spate a ventilatorului (Fig. K1 și Fig. K2).
5. Depozitați ventilatorul într-un loc uscat, bine aerisit, inaccesibil copiilor. Nu depozitați produsul peste sau lângă îngrășăminte, benzină sau alte substanțe chimice.

PROTEJÂND MEDIUL ÎNCONJURĂTOR



Nu eliminați echipamentul electric, acumulatorul epuizat și încărcătorul de acumulator împreună cu deșeurile menajere! Predați acest produs unui punct de reciclare autorizat sau puneți-l la dispoziția colectării separate. Sculele electrice trebuie returnate unui centru de reciclare ecologic.

RO

DEPANARE

PROBLEMĂ	CAUZĂ	SOLUȚIE
Instrumentul nu funcționează.	<ul style="list-style-type: none"> ▪ Capacitate redusă a acumulatorului. ▪ Acumulatorul sau ventilatorul sunt prea fierbinți. 	<ul style="list-style-type: none"> ▪ Încărcați setul de acumulatori. ▪ Opriti ventilatorul și lăsați ventilatorul și acumulatorul să se răcească.
Nu există ceață de apă și indicatorul de nebulizare clipește două lumini verzi.	<ul style="list-style-type: none"> ▪ Tubul de admisie nu aspiră apă, activând protecția internă pentru pompa de apă din interiorul aparatului. ▪ Duza(ele) de nebulizare s-au înfundat în timpul funcționării, activând protecția internă a pompei de apă. 	<ul style="list-style-type: none"> ▪ Verificați și asigurați-vă că există suficientă apă în găleată și că tubul de admisie este scufundat corespunzător în apă. ▪ Curățați duza (duzele) conform capitolului „ÎNȚREȚINEREA DUZEI” și reasamblați-le conform instrucțiunilor.
Scurgerile de apă au loc după întreținerea carcasei ventilatorului.	<ul style="list-style-type: none"> ▪ Piulița care face legătura cu tubul de admisie s-a slăbit în mod neașteptat. 	<ul style="list-style-type: none"> ▪ Deschideți carcasa ventilatorului conform capitolului „ÎNȚREȚINEREA CARCASEI VENTILATORULUI”. Verificați și asigurați-vă că piulița este strânsă complet.

GARANȚIE

POLITICA PRIVIND GARANȚIA EGO

Vă rugăm să consultați site-ul egopowerplus.com pentru termenii și condițiile complete ale politicii privind garanția EGO.

RO

PREBERITE VSA NAVODILA!



PREBERITE PRIROČNIK Z NAVODILI ZA UPORABO

⚠ OPOZORILO: Za zagotovitev varnosti in zanesljivosti mora vsa popravila in zamenjave izvesti usposobljen servisni tehnik.

VARNOSTNI SIMBOLI

Namen varnostnih simbolov je, da vas opozorijo na morebitne nevarnosti. Bodite pozorni na varnostne simbole in njihova pojasnila ter jih poskušajte razumeti. Opozorilni simboli sami ne odpravljajo nobene nevarnosti. Navodila in opozorila niso nadomestilo za ustrezne ukrepe za preprečevanje nesreč.

⚠ OPOZORILO: poskrbite, da pred uporabo tega orodja preberete in razumete vsa varnostna navodila v tem priročniku za uporabo, vključno z vsemi simboli za varnostna opozorila, kot so »NEVARNOST«, »OPOZORILO«, in »SVARILLO«. Zaradi neupoštevanja spodaj navedenih navodil lahko pride do električnega udara, požara in/ali resnih telesnih poškodb.

	Varnostno opozorilo	Ukrepi za večjo varnost
	Uporabniški priročnik morate prebrati in razumeti.	Za zmanjšanje nevarnosti telesnih poškodb je pomembno, da uporabnik pred uporabo tega izdelka prebere priročnik za uporabo in se z njim seznaní.
	Dež	Ne izpostavljajte dežju.
	CE	Ta izdelek je skladen z veljavnimi direktivami ES.
	UKCA	Ta izdelek je skladen z veljavno zakonodajo VB.
	Odpadna električna in elektronska oprema (OEEO)	Odpadnih električnih izdelkov ne odlagajte med gospodinjnske odpadke. Odnosite jih v pooblaščen obrat za recikliranje.

IPX4	Stopnja zaščite pred vdorom	Zaščita pred pljuski vode
	Enosmerni tok	Vrsta ali značilnost toka
V	Volt	Napetost
cm	Centimeter	Dolžina ali velikost
m/s	Metri na sekundo	Hitrost
L/h	Liter na uro	Pretok
°C	Celzij	Temperatura
kg	Kilogram	Teža

SPLOŠNA VARNOSTNA OPOZORIILA

⚠ OPOZORILO: Za zmanjšanje tveganja požara, električnega udara ali poškodb:

- **Seznajte se z ventilatorjem s funkcijo pršenja.** Pozorno preberite navodila za uporabo. Poučite se o uporabi in omejitvah ventilatorja ter o specifičnih morebitnih nevarnostih, povezanih z ventilatorjem. Upoštevanje tega nasveta bo zmanjšalo nevarnost električnega udara, požara ali hudih poškodb.
- Te naprave ne smejo uporabljati osebe (vključno z otroki) z zmanjšanimi fizičnimi, čutnimi ali duševnimi sposobnostmi oziroma osebe s pomanjkanjem izkušenj ali znanja, razen če te osebe nadzoruje oseba, ki je odgovorna za njihovo varnost oziroma jim je te oseba posredovala navodila o uporabi naprave.
- Otroci morajo biti pod nadzorom, da zagotovite, da se z napravo ne igrajo.

VARNOST DELOVNEGA OBMOČJA

- Ventilatorja ne upravljajte v eksplozivnih atmosferah, kot je ob prisotnosti vnetljivih tekočin, plinov ali prahu.
- Med uporabo aparata v bližini ne pustite otrok in drugih ljudi. Zaradi motenj lahko izgubite nadzor.
- Pri uporabi v vetrovnih pogojih bodite previdni. Veter lahko pršenje ponese v električno napeljavo ali naprave.
- Aparata ne izpostavljajte dežju ali vlažnim razmeram. Če v aparat vdre voda, obstaja večja možnost električnega udara.

SL

OSEBNA VARNOST

- Med uporabo aparata bodite pozorni, spremljajte potek dela in uporabljajte zdrav razum. Aparata ne uporabljajte, kadar ste utrujeni ali pod vplivom drog, alkohola oz. zdravil. Trenutek nepazljivosti pri uporabi aparata lahko privede do hujših telesnih poškodb.
- Preprečite neželen zagon. Pred priklopom baterijskega sklopa, dviganjem ali nošenjem naprave se prepričajte, da je stikalo v položaju za izklop. Prenašanje aparata s prstom na stikalo ali napajanje aparata, pri katerem je stikalo v položaju za vklop, povzroči tveganje za nesreče.
- Pred vklopom aparata odstranite morebitne nastavitvene ali viličaste ključe. Viličasti ali drug ključ, ki je pritrjen na vrtljivi del aparata, lahko povzroči telesne poškodbe.
- Ne stegujte se preveč. Pazite, da ves čas stojite stabilno in ohranate ravnotežje. To omogoča boljši nadzor nad aparatom v nepričakovanih situacijah.
- Bodite primerno oblečeni. Ne nosite ohlapnih oblačil ali nakita. Pazite, da lasje in oblačila ne pridejo v bližino gibljivih delov. Ohlapna oblačila, nakit ali dolgi lasje se lahko zapletejo v gibljive dele.
- Pred delovanjem aparata preverite, ali so vse povezave varne.
- Čeprav dobro poznate aparat zaradi pogoste uporabe, ne postanite ravnodušni in ne prezirajte varnostnih načel aparata. Nepazljivost pri uporabi lahko povzroči hude telesne poškodbe v delcu sekunde.

UPORABA IN NEGA

- Ne uporabljajte aparata, če ga ni mogoče vklopiti in izklopiti s stikalom. Aparat, ki ga ni mogoče nadzirati s stikalom, je nevaren in ga je potrebno popraviti.
- Pred kakršnimi koli prilagoditvami, zamenjavo dodatkov ali skladiščenjem iz aparata odstranite baterijski sklop. Tovrstni preventivni varnostni ukrepi zmanjšujejo tveganje nehotenega zagona aparata.
- Shranjujte brezhiben aparat na mestu, nedostopnem otrokom, in osebam, ki niso seznanjene z aparatom ali temi navodili, ne dovolite upravljanja aparata. Aparati so v rokah neusposobljenih uporabnikov nevarni.
- Poskrbite za vzdrževanje aparata in dodatkov. Preverite, ali so gibljivi deli morda napačno pritrjeni ali poškodovani, oz. ali obstaja kakršno koli drugo stanje, ki bi lahko vplivalo na delovanje aparata. Če je aparat poškodovan, ga pred ponovno uporabo odpeljite na popravilo. Mnogo nesreč se pripeti zaradi slabo vzdrževanih aparatov.

- Aparat in dodatke itd. uporabljajte v skladu s temi navodili, pri tem pa upoštevajte delovne pogoje in delo, ki ga boste opravljali. Če boste aparat uporabljali za neustrezne namene, lahko pride do nevarnih situacij.
- Ročaji in prijemalne površine naj bodo suhe, čiste in brez madežev olja ali masti. Drseči ročaji in prijemalne površine ne omogočajo varnega ravnanja in nadzorovanja orodja v nepričakovanih situacijah.

⚠ OPOZORILO: Da bi zmanjšali nevarnost požara ali električnega udara, tega ventilatorja ne uporabljajte s katero koli napravo za krmiljenje hitrosti v trdnem stanju.

UPORABA IN VZDRŽEVANJE AKUMULATORSKEGA ORODJA

- Akumulator polnite le s polnilnikom, ki ga določa proizvajalec. Polnilnik, ki je primeren za eno vrsto akumulatorskih sklopov, morda lahko povzroči nevarnost požara, če z njim polnite drugo vrsto akumulatorskih sklopov.
- Aparat uporabljajte samo s predpisano vrsto baterijskih sklopov. Uporaba katerih koli drugih akumulatorskih sklopov lahko povzroči tveganje poškodb in požara.
- Ko akumulatorski sklop ni v uporabi, ga hranite ločeno od drugih kovinskih predmetov, kot so sponke za papir, kovanci, ključi, želblji, vijaki ali drugi majhni kovinski predmeti, ki lahko povzročijo stik med enim in drugim kontaktom. Kratek stik zaradi povezanih kontaktov akumulatorja lahko povzroči opekline ali požar.
- Ob zlorabi akumulatorja lahko iz nje brizgne tekočina, stik s katero preprečite. Če se nehoti dotaknete tekočine, mesto stika sperite z vodo. Če pride tekočina v stik z očmi, poleg tega poiščite zdravstveno pomoč. Tekočina, ki brizgne iz akumulatorja, lahko povzroči draženje ali opekline.
- Baterijskega sklopa ali naprave, ki je poškodovana ali spremenjena, ne uporabljajte. Poškodovani ali spremenjeni akumulatorji lahko nepredvidljivo delujejo, zaradi česar lahko pride do požara, eksplozije ali nevarnosti telesnih poškodb.
- Baterijskega sklopa ali naprave ne izpostavljajte ognju ali previsokim temperaturam. Izpostavljenost ognju ali temperaturam nad 130 °C lahko povzroči eksplozijo.
- Upoštevajte vsa navodila za polnjenje in baterijskega sklopa oziroma aparata ne polnite izven temperaturnega razpona, navedenega v navodilih. Zaradi nepravilnega polnjenja ali

SL

temperature zunaj navedenega razpona lahko pride do poškodb akumulatorja in povečanega tveganja za požar.

SERVIS

- Aparat naj servisira kvalificirano servisno osebje, ki uporablja le identične nadomestne dele. To bo zagotovilo ohranjanje varnosti aparata.
- Nikoli ne popravljajte poškodovanih akumulatorskih sklopov. Akumulatorske sklope lahko popravi le proizvajalec ali pooblaščen izvajalec servisiranja.

VARNOSTNA NAVODILA ZA BREŽIČNI VENTILATOR S FUNKCIJO PRŠENJA

- Aparata ni dovoljeno uporabljati kot igračo. Kadar jo uporabljajo otroci, jih je treba pozorno spremljati.
- Otroci lahko padejo v vedra in se utopijo. Otroke držite stran od vedra, tudi če vsebuje le malo tekočine.
- Uporabljajte SAMO čisto, hladno vodo.
- Tega ventilatorja s funkcijo pršenja ne uporabljajte za pršenje pesticidov, tekočih gnojil, kemikalij ali drugih tekočin, razen čiste vode. Razprševanje teh snovi lahko povzroči hujše zdravstvene poškodbe ali boleznii upravljavca ali opazovalcev.
- Nikoli ne usmerjajte pršice ali vode proti električnim napeljavam ali napravam.
- Zagotovite, da je pokrov predala za baterije popolnoma zaprt, da voda ne more priti v stik z baterijo ali vdreti v prostor z baterijami.
- Aparat in njegov ročaj naj bosta suha, čista in brez madežev olja ali masti. Za čiščenje vedno uporabite čisto krpo. Za čiščenje ventilatorja nikoli ne uporabljajte zavorne tekočine, bencina, izdelkov na osnovi naftnih derivatov ali drugih močnejših topil. Če boste sledili temu pravilu, boste zmanjšali tveganje za izgubo nadzora in razpad plastičnega ohišja.
- Blizu vira vžiga, kot je močan reflektor, lahko baterije eksplodirajo. Za zmanjšanje nevarnosti resnih telesnih poškodb nikoli ne uporabljajte baterijsko napajanih naprav blizu odprtega ognja. Če baterija eksplodira, lahko od nje odletijo delci in kemikalije. Če pridete v stik z njimi, takoj izperite z vodo.
- Ta navodila shranite. Pogosto jih preberite in jih uporabite za poučevanje drugih, ki uporabljajo ta ventilator. Če ta ventilator komu posodite, mu posodite tudi ta navodila, da preprečite nepravilno uporabo izdelka in morebitne poškodbe.
- Bodite pozorni, da visoka raven vlage lahko spodbudi rast bioloških organizmov v okolju.
- Ne dovolite, da neposredna okolica ventilatorja s


funkcijo pršenja postane vlažna ali mokra. Če pride do vlažnosti, zmanjšajte izhodno moč ventilatorja s funkcijo pršenja. Če ni mogoče zmanjšati izhodne moči ventilatorja s funkcijo pršenja, vlažilnik uporabljajte v intervalih. Ne dovolite, da vpojni materiali, kot so preproge, zavese ali prti, postanejo vlažni.

- Nikoli ne puščajte vode v vsebniku, če aparata ne uporabljate.
- Pred skladiščenjem izpraznite in očistite ventilator s funkcijo pršenja. Pred naslednjo uporabo očistite vlažilnik.

- ⚠ OPOZORILO:** Mikroorganizmi, ki so lahko prisotni v vodi ali okolju, kjer aparat uporabljate ali skladiščite, se lahko razmnožujejo v vsebniku z vodo in razpršijo v zrak ter povzročijo hujše zdravstvene težave, če vode ne zamenjate in vsebnika ne očistite ustrezno vsake tri dni.
- Pred polnjenjem iz aparata odstranite baterije za vnovično polnjenje.
 - Iztrošene baterije odstranite iz aparata in jih varno zavrzite.
 - Če boste aparat shranili za dlje časa, odstranite baterije.
 - Na napajalnih priključkih naj ne bo kratkega stika.

TA NAVODILA SHRANITE.

TEHNIČNI PODATKI

Napetost	56 V 
Premer rezila ventilatorja	45,7 cm
Nastavitve hitrosti ventilatorja	6 (vključno s prestavo »turbo«)
Najv. Prostornina zraka	7000 m ³ /h
Najv. Hitrost zraka	10,3 m/s
Količina vode za pršenje	I: 4,5 L/h
	II: 11,4 L/h
Priporočena temperatura za shranjevanje	od -20°C do 70°C
Teža (brez baterijskega sklopa)	10,4 kg

SL

SEZNAM VSEBINE

IME DELA		KOLIČINA
Ventilator s funkcijo pršenja		1
Kolesni sklop	Kolo	2
	Kolesni pokrov	2
	Vijak z objemko	2
Sklop zgornjega ročaja	Zgornji ročaj	1
	Vijak z objemko	4
Ključ		1
Rezervna šoba		1
Priročnik za uporabo		1

OPIS

SEZNANITE SE Z VENTILATORJEM S FUNKCIJO PRŠENJA (sl. A in A1)

- Zgornji ročaj
- Ohišje ventilatorja
- Vrtljiv gumb za zaklep ohišja ventilatorja
- Kolo (x2)
- Šoba za pršenje (x4)
- Teleskopski ročaj
- Prostor za baterijo
- Dovodna cev
- Filter
- Krmilni vmesnik
- Gumb za vklop/izklop
- Indikator za hitrost zraka
- Indikator TURBO
- Gumb TURBO
- Gumb za nastavitev hitrosti zraka
- Gumb za izbiro načina pršenja
- Indikator za pršenje

SESTAVLJANJE

⚠ OPOZORILO: Če so deli poškodovani ali manjkajo, orodja ne uporabljajte, dokler ne zamenjate delov. Če ta izdelek uporabljate s poškodovanimi ali manjkajočimi deli, lahko pride do hudih telesnih poškodb.

⚠ OPOZORILO: Tega izdelka ne poskušajte spreminjati in ne poskušajte izdelovati dodatkov, ki niso primerni za uporabo s tem ventilatorjem. Vsako tako spreminjanje ali predelava se šteje za napačno uporabo in povzroči tveganja, ki lahko povzročijo hude telesne poškodbe.

⚠ OPOZORILO: pri nameščanju delov, opravljanju prilagoditev, čiščenju ali kadar izdelek ni v uporabi vedno odstranite baterijski sklop. Odstranitev baterijskega sklopa bo preprečila nenameren zagon, ki bi lahko povzročil resno telesno poškodbo.

SESTAVLJANJE KOLES (sl. B)

- Luknjo enega kolesa poravnajte z osjo kolesa ventilatorja in kolo vgradite na os.
- Enega od koles uvijte skozi luknjo kolesa na os kolesa ter nato zategnite vijak s priloženim ključem.
- Pripnite kolesni pokrov na kolo.
- Drugo kolo sestavite po zgornjih korakih 1–3.

PRITRJEVANJE ZGORNJEGA ROČAJA (sl. C)

- Štiri priložene vijake poravnajte z luknjami v zgornjem ročaju in luknjami v ohišju ventilatorja.
- Vstavite vijake in jih nato zategnite s priloženim ključem.

Za opise delov glejte spodnji sliki B in C:

B-1	Kolo (2)	B-3	Vijak z objemko (2)
B-2	Os kolesa (2)	B-4	Kolesni pokrov (2)
C-1	Zgornji ročaj	C-2	Vijak z objemko (4)
C-3	Vijak luknja		

SL

UPRAVLJANJE

⚠ OPOZORILO: Tudi če se dodobra seznanite s tem izdelkom, bodite pri ravnanju z njim pazljivi. Upoštevajte, da je samo delček sekunde nepazljivosti dovolj, da pride do hude telesne poškodbe.

⚠ OPOZORILO: Ne uporabljate priključkov ali dodatkov, ki jih proizvajalec tega izdelka ne priporoča. Uporaba priključkov ali dodatkov, ki niso priporočeni, lahko povzroči hude telesne poškodbe.

Pred vsako uporabo celoten izdelek preglejte za poškodovane, manjkajoče ali zrahljanje dele, kot so vijaki, matice, pokrovi itd. Vsa zapirala in pokrove trdno privijte in izdelek ne uporabljajte dokler ne zamenjate manjkajočih ali poškodovanih delov.

⚠ OPOZORILO: Pri nameščanju delov, opravljanju prilagoditev, čiščenju ali kadar izdelek ni v uporabi vedno odstranite baterijski sklop. Odstranitev baterijskega sklopa bo preprečila nenameren zagon, ki bi lahko povzročil resno telesno poškodbo.

NAMENI UPORABE

Ta izdelek lahko uporabljate za naslednje namene:

- Splošno prezračevanje v večini gospodinjstev
- Hlajenje na prostem s priključitvijo na vodni vir

NASTAVITEV KOTA VENTILATORJA (sl. D)

1. Primate zgornji ročaj, da pridržite ohišje ventilatorja.
2. Vrtljiv gumb za zaklep ohišja ventilatorja zasukajte v NASPROTNI SMERI URINEGA KAZALCA, da sprostite prilagodljivo ohišje ventilatorja.
3. Nastavljivo ohišje ventilatorja nagibajte naprej ali nazaj do želenega kota. Ventilator lahko zasukate do 90° naprej in do 135° nazaj.
4. Vrtljiv gumb za zaklep ZASUKAJTE V SMERI URINEGA KAZALCA, da zavarujete ohišje ventilatorja pod želenim kotom.

NAMESTITEV/ODSTRANITEV BATERIJSKEGA SKLOPA (sl. E)

Napravo uporabljajte samo z baterijskimi sklopi in polnilniki EGO, navedenimi na sliki A2.

Pred prvo uporabo baterijo popolnoma napolnite.

SL

Napotki za priključitev

1. Povlecite pokrov prostora za baterije, da ga odprete.
2. Rebra baterije poravnajte z režami za namestitev in baterijski sklop potisnite navzdol, da zaslišite klik.

Napotki za odklop

1. Pritisnite gumb za sprostitev baterije in baterijski sklop povlecite ven.
2. Potisnite pokrov predala za baterije, da ga zaprete. Zagotovite, da je pokrov v celoti zaprt, da voda ne pride v stik z baterijo ali ne vdre v predel za baterije.

Za opis delov glejte spodnjo sliko E:

E-1	Gumb za sprostitev baterije
E-2	Pokrov prostora za baterije

ZAGON/ZAUSTAVITEV VENTILATORJA S FUNKCIJO PRŠENJA

OPOMBA: Začetna tovarniška nastavitev za hitrost zraka je nastavljena na raven 3. Ventilator bo shranil zadnjo uporabljeno nastavitev hitrosti zraka in jo uporabil pri novičnemu zagonu ventilatorja.

POMEMBNO: Turbo nastavitev se ne shrani.

OPOMBA: Nastavitev pršenja se ne shrani in je privzeto izklopljena vsakič, ko zaženete ventilator.

GUMB ZA VKLOP/IZKLOP

- Za VKLOP ventilatorja na kratko pritisnite gumb za vklop/izklop.
- Za IZKLOP ventilatorja ponovno na kratko pritisnite gumb za vklop/izklop.

GUMB ZA PRILAGAJANJE HITROSTI ZRAKA

Običajna hitrost zraka

- Pritisnite gumb »+«, da pospešite hitrost zraka, in »-«, da zmanjšate hitrost zraka. Izbirate lahko med 5. stopnjami hitrosti.
- Indikator hitrosti zraka prikazuje zelene lučke, ki ustrezajo trenutnim stopnjam hitrosti.

Način TURBO

- Pritisnite gumb »TURBO« in indikator TURBO zasveti zeleno, ventilator pa preklopi v način »TURBO«, t.j. najvišja hitrost zraka.
- V načinu »TURBO« znova pritisnete gumb »TURBO«, da izklopite indikator TURBO in ventilator nadaljuje delovanje s prejšnjo izbrano hitrostjo zraka.
- V načinu »TURBO« pritisnite gumb »-«, da izklopite indikator TURBO in ventilator preklopi na 5. raven hitrosti zraka.

FUNKCIJA PRŠENJA

UPORABA VENTILATORJA Z VEDROM VODE (NI VKLJUČENO) (sl. F)

⚠ OPOZORILO: Otroci lahko padejo v vedra in se utopijo. Držite otroke stran od veder, tudi če je v njih le manjša količina vode.

OPOMBA: Pred vsako uporabo vedro očistite z milom in vodo.

1. Izključite baterijski sklop.
2. Vedro postavite na ravno, plosko površino.
3. V vedro dodajte SAMO čisto, hladno vodo. Ne navijte preveč.
4. V vedro z vodo potopite filtrski del dovodne cevi.

OPOMBA: Ne upogibajte dovodne cevi in vedno poskrbite, da je vodni tok neoviran.

5. Namestite baterijski sklop in zaprite pokrov predala za baterije.
6. Pritisnite gumb za vklop, da VKLOPITE ventilator.
7. Pritisnite gumb za izbor načina pršenja, da začnete pršiti:
 - Enkrat pritisnite gumb za izbiro načina pršenja in indikator pršenja zasveti z dvema zelenima lučkama, ki ponazarjata »neprekinjen« način pršenja – pršenje se izvaja brez prekinitev.

OPOMBA: To lahko traja približno 15 sekund, preden boste prvič opazili meglico iz šob za pršenje. Do te zakasnitve pride zaradi časa, zahtevanega, da se voda iz vedra dovede do šob.

- Znova pritisnite gumb za izbor načina pršenja in indikator pršenja zasveti z eno zeleno lučko, ki ponazarja »prekinjen« način pršenja – pršenje se aktivira za 5 s vsakih 10 s.
- Če je za funkcijo pršenja izbran prekinjen način, znova pritisnite gumb za izbiro načina pršenja in lučke indikatorja pršenja se izklopijo ter pršenje se zaustavi.

OPOMBA: Ko se pršenje zaključi, izvlecite dovodno cev iz vode in zaženite ventilator v načinu pršenja, dokler ne porabite preostale vode iz cevi. Tako boste preprečili, da bi morebitna preostala voda iz cevi povzročila nehoteno pršenje ob vnovičnem zagonu ventilatorja.

UPORABA VENTILATORJA BREZ PRŠENJA

Po želji lahko ta izdelek uporabljate le kot ventilator, ko ni priključen na vodni vir. Če ventilatorja ne uporabljate, dovodno cev vedno shranite v območje skladiščenja (glejte poglavje »SKLADIŠČENJE« v tem priročniku), da jo zaščitite pred poškodbami in kontaminacijo.

NOTRANJA ZAŠČITA

Ko je funkcija pršenja aktivirana, a vodna meglica ne nastaja:

- Vodna črpalka bo še nekaj časa delovala, nato pa se bo samodejno zaustavila zaradi zaščite notranje elektronike.
- Odvisno od načina pršenja bo indikator pršenja za kratek čas prikazal eno ali dve prižgani zeleni lučki, nato pa izmenično utripanje zelenih lučk kot opozorilo za upravljavca, da:
 - a. Preverite, ali je dovodna cev pravilno potopljena v vodo.
 - b. Preverite, ali so šobe za pršenje zamašene in jih očistite v skladu z navodili v poglavju »VZDRŽEVANJE ŠOB«.

- c. Pritisnite gumb za izbiro načina pršenja, da vnovično zaženete pršenje.

VZDRŽEVANJE

⚠ OPOZORILO: Za popravila uporabljajte samo identične nadomestne dele. Uporaba drugih delov je tvegana in lahko poškoduje izdelek. Za zagotovitev varnosti in zanesljivosti mora vsa popravila izvesti usposobljen servisni tehnik.

⚠ OPOZORILO: Pri čiščenju ali vzdrževanju vedno odstranite baterijski sklop iz orodja, da preprečite hude telesne poškodbe.

SPLOŠNO VZDRŽEVANJE

Pri čiščenju plastičnih delov ne uporabljajte topil. Večina vrst plastike se lahko pri uporabi različnih komercialnih topil poškoduje. Umazanijo, prah, olje, maščobe itd. odstranite s čisto krpo.

⚠ OPOZORILO: nikoli naj zavorna tekočina, gorivo, izdelki na osnovi naftnih derivatov, prodirajoče olje ne pridejo v stik s plastičnimi deli. Kemikalije lahko poškodujejo, oslabijo ali uničijo plastiko, kar lahko povzroči hude telesne poškodbe.

VZDRŽEVANJE ŠOB (sl. G)

⚠ OPOZORILO: Zagotovite, da so bila ustrezno izvedena vsa vzdrževalna dela na šobah za pršenje. Le tako boste lahko preprečili morebitna iztekanja vode. Zaradi iztekanj lahko površina postane gladka in povzroči nevarnost zdrsa ali padca ter materialno škodo.

Navodila za čiščenje šob:

1. Izklopite ventilator in odstranite baterijski sklop.
 2. Zasukajte medeninaste šobe za pršenje v NASPROTNI SMERI URINEGA KAZALCA, da odstranite zamašitve.
 3. Vsako umazano šobo razstavite na dele.
 4. **Če želite odstraniti tujke**, zaradi katerih je prišlo do zamašitev ali omejujejo šobe, dele šob sperite z vodo. **Če želite odstraniti vodni kamen**, dele šob po potrebi očistite z belim kisom ali sredstvom za odstranjevanje vodnega kamna.
 5. Ponovno sestavite šobe.
- OPOMBA:** Če želite preprečiti zamašitve, se prepričajte, da je šoba sestavljena po navodilih, prikazanih na sl. G.
6. Ponovno namestite očiščene šobe.

VZDRŽEVANJE FILTRA (sl. H)

Redno preverjajte filter ob koncu dovodne cevi, da zagotovite brezhibno stanje.

1. Izvlecite filter iz dovodne cevi.
2. Odvijte filter in ga razstavite na dele ter nato izvlecite mrežasto rešetko.
3. Splaknite mrežasto rešetko in jo po potrebi zamenjajte.
4. Ponovno sestavite filter in ga znova priključite na dovodno cev.

Če želite izvedeti več o delih, glejte spodnjo sliko H

H-1	Filter	H-3	Mrežasta rešetka
H-2	Zgornji del	H-4	Spodnji del

VDRŽEVANJE OHIŠJA VENTILATORJA (sl. I1 in I2)

⚠ OPOZORILO: Preden odstranite varovalo, zagotovite, da so odstranjeni baterijski sklopi.

1. Odvijte in odstranite šest vijakov, da DELNO dvignete sprednjo varovalo rešetke iz ohišja ventilatorja.

⚠ POZOR: Če želite preprečiti poškodbe, ne varovala sprednje rešetke ne odstranite v celoti, če niste PREDHODNO najprej izključili dovodno cev.

2. Potlačite črno gumo na koncu navora, da izvlečete dovodno cev.
3. Popolnoma odstranite sprednje varovalo rešetke.
4. Zasukajte pokrov za zaklep vetrnice ventilatorja v smeri urinega kazalca, da sprostite vetrnico ventilatorja iz gredi.
5. Odstranite rezilo ventilatorja.
6. Po potrebi očistite vernico ventilatorja in notranjost ohišja.
7. Ponovno jih sestavite v obratnem vrstnem redu in se prepričajte:
 - Da je dovodna cev pravilno priključena na matico.
 - Da je dovodna cev pravilno nameščena v režo na varovalu rešetke.

Če želite izvedeti več o opisu delov, glejte spodnji sl. I1 in I2

I1-1	Varovalo sprednje rešetke	I1-4	Črna guma
I1-2	Vijak (6)	I1-5	Dovodna cev
I1-3	Matica	I2-1	Zaklepanje pokrova
I2-2	Vetrnica ventilatorja		

TRANSPORT

- Ventilator je opremljen z zgornjim ročajem za prenašanje ventilatorja na kratke razdalje ali prečkanje neravne površine/terena.
- Za transport na dolge razdalje uporabite teleskopski ročaj za premik ventilatorja. Z zgornjim ročajem nagibajte ventilator in nato izvlecite teleskopski ročaj, dokler ne zaslišite »klika«. Ko ne uporabljajte teleskopskega ročaja, ga potisnite v orodje (sl. J).

SKLADIŠČENJE

1. Odstranite baterijski sklop.
2. Ventilator temeljito očistite.
3. Izpraznite dovodno cev in filter.
4. Dovodno cev postavite v položaj za skladiščenje, ki se nahaja na zadnji strani ventilatorja (sl. K1 in K2).
5. Ventilator skladiščite v suhem in dobro zračnem prostoru izven dosega otrok. Ventilatorja ne skladiščite v bližini gnojil, bencina ali drugih kemikalij.

VAROVANJE OKOLJA



Električne opreme, rabljene baterije in polnilnika ne odvrzite med gospodinjske odpadke. Izdelek odnesite na pooblaščen obrat za recikliranje in ga zavrzite ločeno. Električna orodja je treba odnesti na obrat za recikliranje in ga reciklirati na okolju prijazen način.

SL

ODPRAVLJANJE TEŽAV

TEŽAVA	VZROK	REŠITEV
Aparat ne deluje.	<ul style="list-style-type: none"> ■ Nizka zmogljivost baterijskega sklopa. ■ Baterijski sklop ali ventilator je prevroč. 	<ul style="list-style-type: none"> ■ Napolnite baterijski sklop. ■ Izklopite ventilator in omogočite hlajenje ventilatorja ter baterijskega sklopa.
Voda za pršenje ni na voljo in zeleno utripata dve lučki indikatorja za pršenje.	<ul style="list-style-type: none"> ■ Dovodna cev ne vsesava vode in aktivira se interna zaščita za vodno črpalko znotraj orodja. ■ Šobe za pršenje so se zamašile med delovanjem in aktivira se interna zaščita za vodno črpalko. 	<ul style="list-style-type: none"> ■ Preverite in zagotovite, da je v vedru dovolj vode in da je dovodna cev pravilno potopljena v vodo. ■ Šobe očistite po navodilih v poglavju »VZDRŽEVANJE ŠOB« in jih ponovno sestavite.
Do iztekanja vode pride po vzdrževalnih delih na ohišju ventilatorja.	<ul style="list-style-type: none"> ■ Matica, ki povezuje dovodno cev, se je nepričakovano odvila. 	<ul style="list-style-type: none"> ■ Odprite ohišje ventilatorja po navodilih v poglavju »VZDRŽEVANJE OHIŠJA VENTILATORJA«. Preverite in zagotovite, da je matica popolnoma zategnjena.

GARANCIJA

GARANCIJSKA POLITIKA DRUŽBE EGO

Za popolne pogoje garancijske politike družbe EGO obiščite spletno mesto egopowerplus.com.

SL

PERSKAITYKITE VISAS INSTRUKCIJAS!



PERSKAITYKITE NAUDOJIMO INSTRUKCIJĄ

⚠️ ĮSPĖJIMAS: Norint užtikrinti saugų ir patikimą gaminio naudojimą, visus remonto ir keitimo darbus turi atlikti kvalifikuotas techninės priežiūros specialistas.

SAUGOS SIMBOLIAI

Saugos simbolių paskirtis – atkreipti dėmesį į galimus pavojus. Gerai susipažinkite su saugos simboliais bei jų paaiškinimais ir juos įsidėmėkite. Simbolių įspėjimai patys savaime negali apsaugoti nuo pavojų. Jais žymimi nurodymai ir įspėjimai neatstoja tinkamų nelaimingų atsitikimų prevencijos priemonių.

⚠️ ĮSPĖJIMAS: Prieš pradėdami naudoti šį įrenginį, perskaitykite visus šioje naudojimo instrukcijoje pateiktus saugos nurodymus, taip pat susipažinkite su visais saugos įspėjimaisiais simboliais, tokiais kaip **PAVOJUS**, **ĮSPĖJIMAS** ir **DĖMESIO** ir įsitikinkite, ar juos supratote. Nesilaikant visų toliau išdėstytų nurodymų galima patirti elektros smūgi, sukelti gaisrą ir (ar) sunkiai susižaloti.

	Įspėjimas dėl saugos	Atsargumo priemonės, skirtos jūsų saugumui užtikrinti
	Perskaityti ir suprasti naudotojo instrukciją	Kad sumažintų susižalojimo pavojų, prieš naudodamas šį gaminį naudotojas turi perskaityti naudojimo instrukciją ir įsitikinti, kad ją suprato.
	Sąlyga dėl lietaus	Saugoti nuo lietaus.
	CE	Šis gaminys atitinka taikomas EB direktyvas.
	UKCA	Šis gaminys atitinka taikomas JK direktyvas.
	WEEE	Netinkamus naudoti elektrinius įrankius draudžiama išmesti kartu su buitinėmis atliekomis. Pristatyti įgaliotam perdirbėjui.

IPX4	Apsaugos klasė	Apsauga nuo vandens purlų.
	Nuolatinė srovė	Srovės tipas arba charakteristika.
V	Voltau	Įtampa
cm	Centimetrai	Ilgis arba dydis
m/s	Metrai per sekundę	Greitis
l/val.	Litrai per valandą	Srauto greitis
°C	Celsijaus laipsniai	Temperatūra
kg	Kilogramai	Svoris

BENDRIEJI SAUGOS ĮSPĖJIMAI

⚠️ ĮSPĖJIMAS: Norėdami sumažinti gaisro, elektros smūgio ir susižalojimo pavojų:

- Pažinkite savo drėkinantį ventiliatorių. Atidžiai perskaitykite naudojimo instrukciją. Susipažinkite su ventiliatoriaus naudojimo būdais ir naudojimo apribojimais, o taip pat su galimais pavojais, susijusiais su šiuo ventiliatoriumi. Laikantis šios taisyklės, sumažėja pavojus patirti elektros smūgi, sukelti gaisrą arba sunkiai susižaloti.
- Šis prietaisas nėra skirtas naudoti asmenims (įskaitant vaikus), kurių sumažėję fiziniai, jutiminiai ar protiniai gebėjimai arba kurie turi mažiau patirties bei žinių, nebent juos prižiūri arba apmokė saugiai naudoti prietaisą už jų saugumą atsakingas asmuo.
- Vaikus reikia prižiūrėti ir neleisti jiems žaisti su prietaisu.

SAUGA DARBO VIETOJE

- Nenaudokite ventiliatoriaus sprogioje aplinkoje, pvz., ten, kur yra degių skysčių, dujų arba dulkių.
- Naudodami šį prietaisą neįsikiškite artintis vaikams ir pašaliniais asmenims. Dėl dėmesio blaškymo galite nesuvaldyti prietaiso.
- Būkite atsargūs naudodami vėjuotomis sąlygomis. Vėjas vandens dulksną gali pernešti ant elektros laidų ar prietaisų.
- Saugokite prietaisą nuo lietaus ir drėgmės. Į elektrinio prietaiso vidų patekus vandeniui išauga elektros smūgio pavojus.

LT

ASMENINĖ SAUGA

- Naudodami prietaisą būkite budrūs, stebėkite, ką darote, ir vadovaukitės sveika nuovoka. Nenaudokite prietaiso, jei esate pavargę, be nuotaikos arba apsvaigę nuo narkotinių medžiagų, alkoholio ar vaistų. Neatidumo akimirka naudojant prietaisą gali lemti sunkią traumą.
- Apsisaugokite nuo atsitiktinio prietaiso įjungimo. Prieš prijungdami prietaisą prie sudėtinės baterijos ir prieš jį pakeldami arba nešdami išitinkinkite, ar išjungtas jungiklis. Nešant prietaisą uždėjus pirštą ant jungiklio arba prijungiant prie maitinimo šaltinio su įjungtu jungikliu, gali įvykti nelaimingas atsitikimas.
- Prieš įjungdami prietaisą patraukite į šalį visus reguliavimo raktus ir veržliarakčius. Prietaiso sukamojoje dalyje likus raktui ar veržliarakčiui galima susižaloti.
- Nesistenkite pasiekti pernelyg toli. Visada stovėkite tvirtai ir išlaikykite pusiausvyrą. Tuomet geriau suvaldysite prietaisą netikėtose situacijose.
- Dėvėkite tinkamus drabužius. Nedėvėkite laisvų drabužių ir nenešiokite laisvai kabančių papuošalų. Saugokite savo plaukus ir drabužius nuo judamų dalių. Laisvus drabužius, papuošalus ar ilgus plaukus gali įtraukti besisukančios dalys.
- Prieš pradėdami naudoti prietaisą, patikrinkite, ar visos jungtys yra saugios.
- Dažnai naudodami įvairius prietaisus pernelyg savimi nepasitikėkite ir neparaskite budrumo, kad paisytumėte saugaus prietaiso naudojimo taisyklių. Užtenka akimirkos išsiblaškyimo, kad dėl neatsargaus veiksmo sunkiai susižalotumėte.

NAUDOJIMAS IR PRIEŽIŪRA

- Nenaudokite prietaiso, jeigu jo negalima įjungti ar išjungti jungikliu. Bet koks prietaisas, kurio jungiklis neveikia, yra pavojingas ir jį būtina suremontuoti.
- Prieš reguliuodami prietaisą, keisdami jo priedus arba padėdami jį į laikymo vietą, atjunkite sudėtinę bateriją. Tokios prevencinės saugos priemonės sumažina pavojų atsitiktinai įjungti prietaisą.
- Nenaudojamą prietaisą laikykite vaikams neprieinamoje vietoje ir neleiskite prietaiso naudoti asmenims, kurie nėra susipažinę su jo naudojimu ar šiomis instrukcijomis. Neapmokytų naudotojų naudojami prietaisai kelia pavojų.
- Prižiūrėkite prietaisą ir jo priedus. Patikrinkite, ar judamos dalys išcentruotos ir neklūna, ar nėra sulūžusių dalių ir kitų aplinkybių, galinčių turėti įtakos prietaiso veikimui. Jei prietaisas sugadintas,

prieš naudojimą jį reikia suremontuoti. Dauguma nelaimingų atsitikimų įvyksta dėl prastai prižiūrimi prietaisų.

- Prietaisus, jų priedus ir pan. naudokite vadovaudamiesi šiomis instrukcijomis, atsižvelgdami į darbo sąlygas ir vykdomą darbą. Naudojant prietaisą ne pagal paskirtį gali susidaryti pavojingos aplinkybės.
- Rankenos ir sugriebimo paviršiai turi būti sausi, švarūs ir neištepti alyva ar tepalu. Dėl slidžių rankenu ir sugriebimo paviršių įrankį sunku saugiai valdyti ir jis gali išsprūsti netikėtomis aplinkybėmis.

⚠ ĮSPĖJIMAS: Norėdami sumažinti gaisro ar elektros smūgio pavojų, nenaudokite šio ventilatoriaus su jukiu reguliavimo įtaisu.

AKUMULATORIŲ ĮRANKIŲ NAUDOJIMAS IR PRIEŽIŪRA

- Kraukite naudodami tik gamintojo nurodytą įkroviklį. Naudojant įkroviklį, skirtą kito tipo sudėtinei baterijai, gali kilti gaisro pavojus.
- Prietaisą naudokite tik su jam skirtomis sudėtinėmis baterijomis. Naudojant kitokias sudėtines baterijas gali kilti sužalojimų ir gaisro pavojus.
- Nenaudojama sudėtinė baterija turi būti laikoma atokiau nuo metalinių daiktų, tokių kaip sąvaržėlės, monetos, raktai, viny, varžtai ar kiti smulkūs metaliniai daiktai, galintys sujungti abu baterijos gnybtus. Įvykus trumpajam jungimui tarp baterijos gnybtų galima nusideginti ar gali kilti gaisras.
- Dėl netinkamų sąlygų iš baterijos gali iškėti skystis – nelieskite jo. Skysčiui atsitiktinai patekus ant odos, nedelsiant nuplaukite vandeniu. Jeigu skysčio pateko į akis, kreipkitės ir į gydytojus. Iš baterijos iškėjęs skystis gali dirginti arba nudeginti.
- Nenaudokite sugadintos ar modifikuotos sudėtinės baterijos ar prietaiso. Tokios netinkamos sudėtinės baterijos gali kelti gaisro, sprogdimo ar sužalojimo pavojų.
- Sudėtinės baterijos ar prietaiso negalima deginti ar kaitinti. Bateriją deginant ar įkaitinus virš 130°C ji gali sprogti.
- Laikykites visų prietaiso ar sudėtinės baterijos įkrovimo instrukcijų ir įkrovimą vykdykite nurodytame temperatūrų diapazone. Priešingu atveju galite sugadinti sudėtinę bateriją ar net sukelti gaisrą.

LT

TECHNINĖ PRIEŽIŪRA

- Prietaisą techniškai prižiūrėti gali tik kvalifikuotas remonto meistras, naudojantis tik originalias

atsargines dalis. Taip užtikrinsite savo prietaiso saugą.

- **Niekada neremontuokite sugadintos sudėtinės baterijos.** Tokias baterijas remontuoti gali tik gamintojas arba įgalioto techninės priežiūros centro specialistai.

BELAUDŽIO DRĖKINANČIO VENTILIATORIAUS NAUDOJIMO SAUGOS INSTRUKCIJOS

- **Neleiskite ventiliatoriaus naudoti kaip žaislo.** Kai prietaisą naudoja vaikai arba kai jis naudojamas šalia vaikų, juos reikia atidžiai prižiūrėti.
- **Vaikai gali įkristi į vandens talpyklą ir nuskęsti.** Neleiskite vaikų artyn prie talpyklos, netgi jei joje nedaug vandens.
- **Naudokite TIK švarų ir šaltą vandenį.**
- **Nenaudokite šio drėkinančio ventiliatoriaus pesticidams, skystoms trąšoms, chemikalams ar bet kokiems skysčiams, išskyrus švarų vandenį, purkšti.** Paskleidus tokias medžiagas gali sunkiai apsinuodyti pats ventiliatoriaus naudotojas arba pašaliniai asmenys.
- **Niekada nenukreipkite vandens dulksnos link jokių elektros laidų ar prietaisų.**
- **Baterijos skyriaus dangtelis turi būti visiškai uždarytas, kad vanduo nepatektų ant baterijos ar jos kontaktų.**
- **Prietaisas ir jo rankena būtų sausi, švarūs ir neištepti alyva ar tepalu.** Visada valykite švaria šluoste. Ventiliatoriaus niekada nevalykite stabdžių skysčiu, benzinu, naftos produktais arba stipriais tirpikliais. Laikantis šios nurodymo sumažėja pavojus nesuvaldyti prietaiso ir pažeisti plastikinį korpusą.
- **Baterijos gali sprogti, jei netoliese yra uždegimo šaltinis, pvz., dujų degiklis. Siekiant sumažinti sunkių sužalojimų pavojų, niekada nenaudokite jokių belaidžių gaminių šalia atviros liepsnos.** Sproguos baterijai gali pasklisti nuolaužos ir cheminės medžiagos. Jei taip nutiktų, tas vietas nedelsdami nuplaukite vandeniu.
- **Pasilikite šią instrukciją.** Dažnai ją paskaitykite ir panaudokite kitiems asmenims, kuriems patikėsite šį prietaisą, apmokyti. Skolindami prietaisą kitiems asmenims, paskolinkite ir šią instrukciją, kad jie tinkamai prietaisą naudotų ir nesusižalotų.
- **Turėkite omenyje, kad didelis drėgmės lygis gali paskatinti biologinių organizmų augimą aplinkoje.**


- **Saugokitės, kad vieta aplink drėkinantį ventiliatorių sudrėktų ar sušlaptų.** Jei pernelyg išauga drėgmė, sumažinkite drėkinančio ventiliatoriaus pūtimo galią. Jei drėkinančio ventiliatoriaus pūtimo galios negalima sumažinti, šį drėkintuvą naudokite su pertraukomis. Saugokitės, kad tokios sugeriančios medžiagos, kaip kiliminė danga, užuolaidos, apmušalai ar staltiesės nesudrėktų.
- **Niekada nepalikite vandens talpykloje, kai prietaiso nenaudojate.**
- **Prieš padėdami į laikymo vietą, drėkinantį ventiliatorių ištuštinkite ir nuvalykite.** Nuvalykite drėkintuvą prieš kitą naudojimą.

⚠ ĮSPĖJIMAS: Mikroorganizmai, kurie gali būti vandenyje arba prietaiso naudojimo ar laikymo aplinkoje, gali augti vandens talpykloje ir būti išpūsti į orą, sukeldami labai rimtą pavojų sveikatai, jei vanduo neatnaujinamas ir talpykla tinkamai neišvaloma kas 3 dienas.

- Įkraunamas baterijas prieš įkrovimą reikia išimti iš prietaiso.
- Išsikrovusias baterijas reikia išimti iš prietaiso ir saugiai utilizuoti.
- Jeigu prietaisas ilgesnį laiką nenaudojamas, baterijas iš jo reikia išimti.
- Nesujunkite trumpuoju jungimu maitinimo įtampos gnybtų.

IŠSAUGOKITE ŠIĄ INSTRUKCIJĄ

TECHNINIAI DUOMENYS

Įtampa	56 V 
Ventiliatoriaus menčių skersmuo	45,7 cm
Ventiliatoriaus greičio nuostatos	6 (įskaitant „Turbo“)
Maks. oro srautas	7000 m ³ /val.
Maks. oro greitis	10,3 m/sek.
Drėkinančio vandens srautas	I: 4,5 l/val.
	II: 11,4 l/val.
Rekomenduojama laikymo temperatūra	-20°C ~ 70°C
Svoris (be sudėtinės baterijos)	10,4 kg

PAKUOTĖS TURINIO SĄRAŠAS

DALIES PAVADINIMAS		KIEKIS
Drėkinantis ventiliatorius		1
Ratuko komplektas	Ratukas	2
	Ratuko gaubtelis	2
	Varžtas su poveržle	2
Viršutinės rankenos komplektas	Viršutinė rankena	1
	Varžtas su poveržle	4
Veržliaraktis		1
Atsarginis purkštukas		1
Naudojimo instrukcija		1

APRAŠYMAS

DRĖKINANČIO VENTILIATORIAUS DALYS (A ir A1 pav.)

- Viršutinė rankena
- Ventiliatoriaus korpusas
- Ventiliatoriaus korpuso užrakto rankenėlė
- Ratukas (2 vnt.)
- Drėkinimo purkštukas (4 vnt.)
- Sustumiama rankena
- Baterijų skyrius
- Vandens įsiurbimo vamzdelis
- Filtrai
- Valdymo sąsaja
- Maitinimo mygtukas
- Oro greičio indikatorius
- TURBO indikatorius
- TURBO mygtukas
- Oro greičio reguliavimo mygtukas
- Drėkinimo režimo pasirinkimo mygtukas
- Drėkinimo indikatorius

SURINKIMAS

⚠️ ĮSPĖJIMAS: Jei kurios nors dalys pažeistos arba jų nėra, nenaudokite šio gaminio tol, kol tos dalys nebus pakeistos. Naudojant gaminį su pažeistomis dalimis arba

kai jų trūksta, galima sunkiai susižaloti.

⚠️ ĮSPĖJIMAS: Nebandykite keisti šio gaminio konstrukcijos arba naudoti priedus, kurie nėra rekomenduojami naudoti su šiuo ventiliatoriumi. Visi tokie pakeitimai laikomi netinkamu naudojimu ir gali sukelti pavojingas situacijas, kurių metu galite sunkiai susižaloti.

⚠️ ĮSPĖJIMAS: Visada išimkite sudėtinę bateriją iš gaminio, kai montuojate dalis, reguliuojate, valote arba gaminio nenaudojate. Išėmę sudėtinę bateriją išvengsite atsitiktinio paleidimo, kuris gali sunkiai sužaloti.

RATUKŲ SURINKIMAS (B pav.)

- Sulygiuokite vieno iš ratukų angą su ventiliatoriaus ratuko ašimi ir uždėkite ratuką ant ašies.
- Įsriekite vieną iš ratukų varžtų per ratuko angą į ratuko ašį, tuomet priveržkite varžtą pridedamu veržliarakčiu.
- Uždėkite ant ratuko gaubtelį.
- Antrąjį ratuką surinkite pagal pirmiau aprašytus 1–3 žingsnius.

VIRŠUTINĖS RANKENOS TVIRTINIMAS (C pav.)

- Keturis pridedamus varžtus įtaikykite į skyles viršutinėje rankenoje ir ventiliatoriaus gaubte.
- Įkiškite varžtus ir priveržkite pridedamu veržliarakčiu.

B ir C pav. pavaizduotų dalių aprašas:

B-1	Ratukas (2)	B-3	Varžtas su poveržle (2)
B-2	Ratuko ašis (2)	B-4	Ratuko gaubtelis (2)
C-1	Viršutinė rankena	C-2	Varžtas su poveržle (4)
C-3	Varžto skylė		

NAUDOJIMAS

⚠️ ĮSPĖJIMAS: Mokėjimas naudotis šiuo gaminiu nesuteikia teisės dirbti nerūpestingai. Atminkite, kad net akimirksniui atitraukę dėmesį galite sunkiai susižaloti.

⚠️ ĮSPĖJIMAS: Nenaudokite jokių papildomų įtaisų ar priedų, kurių nerekomendavo šio įrankio gamintojas. Naudojant nerekomenduojamus papildomus įtaisus ar priedus galima sunkiai susižaloti.

Kaskart prieš naudodami gaminį nuodugniai jį patikrinkite, ar nesugadintas ir netrūksta ar neatsilaisvinusios dalys, pavyzdžiui, sraigčiai, veržlės, varžtai, dangteliai ir pan. Patikimai priveržkite visas tvirtinimo detales ir dangtelius ir nenaudokite šio gaminio, kol nepakeisite visų trūkstamų ar sugadintų dalių.

⚠ ĮSPĖJIMAS: Visada išimkite sudėtinę bateriją iš gaminio, kai montuojate dalis, reguliuojate, valote arba gaminio nenaudojate. Išėmę sudėtinę bateriją išvengsite atsitiktinio paleidimo, kuris gali sunkiai sužaloti.

PRITAIKYMAS

Galite naudoti šį gaminį toliau išvardytais tikslais:

- Bendrasis vėdinimas daugumoje namų ūkių paskirčių.
- Vėsinimas lauke prijungus prie vandens šaltinio.

VENTILIATORIAUS PAKREIPIMO KAMPO REGULIAVIMAS (D pav.)

1. Suimkite už viršutinės rankenos, prilaikydami ventiliatoriaus korpusą.
2. Pasukite ventiliatoriaus korpuso užrakto rankenėlę PRIEŠ LAIKRODŽIO RODYKLĘ, kad atlaisvintumėte reguliuojamą ventiliatoriaus korpusą.
3. Pakreipkite reguliuojamą ventiliatoriaus korpusą į priekį arba atgal į norimą kampa. Ventiliatorių galima pakreipti iki 90° į priekį iki 135° atgal.
4. Pasukite užrakto rankenėlę PAGAL LAIKRODŽIO RODYKLĘ, užfiksodami ventiliatoriaus korpusą norimu kampu.

SUDĖTINĖS BATERIJOS ĮSTATYMAS IR IŠĖMIMAS (E pav.)

Naudokite tik A2 pav. pateiktus EGO sudėtines baterijas ir įkroviklius.

Prieš bateriją naudodami pirmą kartą, visiškai ją įkraukite.

Įstatymas

1. Patraukite baterijos skyriaus dangtelį, kad jį atidarytumėte.
2. Įtaikykite baterijos briaunas į įstatymo griovelius ir spauskite sudėtinę bateriją žemyn, kol išgirsite spragtelėjimą.

Išėmimas

1. Nuspauskite baterijos atjungimo mygtuką ir išimkite bateriją.
2. Paspauskite baterijos skyriaus dangtelį, kad jį uždarytumėte. Patikrinkite, ar tinkamai uždarėte, kad vanduo nepatektų ant baterijos ar jos kontaktų.

E pav. pavaizduotų dalių aprašas:

E-1	Baterijos atjungimo mygtukas
E-2	Baterijos skyriaus dangtelis

DRĖKINANČIO VENTILIATORIAUS PALEIDIMAS IR SUSTABDYMAS

PASTABA: Pradinė gamyklinė oro greičio nuostata yra 3 lygis. Ventiliatorius įrašo („išimena“) paskutinę naudotą oro greičio nuostatą ir vėl ją įjungia paleidus iš naujo.

SVARBU: „Turbo“ nuostata neįrašoma.

PASTABA: Drėkinimo nuostata neįrašoma ir pagal numatytąsias nuostatas ji bus išjungta kiekvieną kartą įjungus ventiliatorių.

MAITINIMO MYGTUKAS

- Trumpai spustelėkite maitinimo mygtuką, kad ventiliatorių įjungtumėte.
- Dar kartą trumpai spustelėkite maitinimo mygtuką, kad ventiliatorių išjungtumėte.

ORO GREIČIO REGULIAVIMAS

Normalus oro greitis

- Paspauskite „+“ mygtuką oro srauto greičiui padidinti ir paspauskite „-“ mygtuką greičiui sumažinti. Iš viso yra 5 greičio lygiai.
- Oro greičio indikatoriuje užsidega žalios lempučių, kurių skaičius atitinka įjungtą oro srauto greičio lygį.

TURBO režimas

- Paspaudus TURBO mygtuką užsidega žalias TURBO indikatorius ir ventiliatorius persijungia į TURBO režimą, t. y. didžiausią oro srauto greitį.
- TURBO režime dar kartą paspaudus TURBO mygtuką, TURBO indikatorius išsijungia ir ventiliatorius vėl pradeda veikti prieš tai pasirinktu greičio režimu.
- Jei TURBO režime paspausite „-“ mygtuką, TURBO indikatorius išsijungs ir ventiliatorius persijungs į 5 oro srauto greičio lygį.

DRĖKINIMO FUNKCIJA

VENTILIATORIAUS NAUDOJIMAS SU VANDENS TALPYKLA (KOMPLEKTE NĖRA) (F pav.)

⚠ ĮSPĖJIMAS: Vaikai gali įkristi į vandens talpyklą ir nuskęsti. Neleiskite vaikų artyn prie talpyklos, netgi jei joje nedaug vandens.

PASTABA: Prieš kiekvieną naudojimą išplaukite talpyklą muiluotu vandeniu.

1. Atjunkite sudėtinę bateriją.
2. Pastatykite talpyklą ant plokščio ir lygaus paviršiaus.
3. Į talpyklą įpilkite TIK švaraus šalto vandens. Neperpilkite per viršų.

4. Panardinkite įsiurbimo vamzdelio galą su filtru į vandens talpyklą.

PASTABA: Įsiurbimo vamzdelio nesulenkite ir visada įsitikinkite, ar vanduo tinkamai teka vamzdeliu.

5. Įstatykite sudėtinę bateriją ir uždarykite baterijos skyriaus dangtelį.
6. Paspauskite maitinimo mygtuką, kad įjungtumėte ventilatorių.
7. Norėdami pradėti drėkinimą, paspauskite drėkinimo režimo pasirinkimo mygtuką:
 - Spustelėkite mygtuką vieną kartą – užsidegs dvi žalios drėkinimo indikatorius lemputės, kurios rodo nuolatinį drėkinimo režimą be pertraukų.

PASTABA: Gali užtrukti apie 15 sekundžių, kol iš tikrųjų pamatysite iš drėkinimo purkštukų purškiamą vandens dulksną. Šis vėlavimas atsiranda dėl to, kad reikia šiek tiek laiko vandeniui iš talpyklos patekti į purkštukus.

- Dar kartą spustelėkite drėkinimo režimo pasirinkimo mygtuką – užsidegs viena žalia drėkinimo indikatorius lemputė, kuri rodo drėkinimo režimą su pertrūkiais, t. y. drėkinimą po 5 sekundes kas 10 sekundžių.
- Drėkinimui veikiant pertraukiamu režimu, dar kartą spustelėkite drėkinimo režimo pasirinkimo mygtuką – drėkinimo indikatorius lemputės užges ir drėkinimo funkcija išsijungs.

PASTABA: Baigę drėkinimo procedūrą, ištraukite įsiurbimo vamzdelį iš vandens ir paleiskite ventilatorių drėkinimo režimu, kol iš vamzdelio pasišalins visas vanduo. Tai padeda išvengti vandens likučių vamzdelyje, kurie gali netikėtai pradėti drėkinti iš naujo paleidus ventilatorių.

VENTILIATORIAUS NAUDOJIMAS BE DRĖKINIMO FUNKCIJOS

Jei pageidaujama, šį gaminį galima naudoti kaip įprastą ventilatorių, kai jis neprijungtas prie vandens šaltinio. Kai nenaudojate, įsiurbimo vamzdelį visada įstatykite į jo laikymo vietą (žr. šio vadovo skyrių „**LAIKYMAS**“), kad apsaugotumėte nuo pažeidimų ir taršos.

VIDINĖ APSAUGA

Jei įjungta drėkinimo funkcija, tačiau vandens dulksna nepurškiamo:

- Vandens siurblys trumpam veiks, o po to automatiškai sustos, kad apsaugotų vidines elektrines dalis.
- Priklausomai nuo drėkinimo režimo, drėkinimo indikatoriuje trumpam užsidegs viena arba dvi žalios lemputės, kuri (-os) po to nuolat mirksės kaip įspėjimas, kad naudotojas:

- a. Patikrintų, ar įsiurbimo vamzdelis tinkamai panardintas į vandenį.
- b. Patikrintų, ar neužsikimšę drėkinimo purkštukai, kuriuos reikia išvalyti pagal nurodymus skyriuje „**PURKŠTUKŲ PRIEŽIŪRA**“.
- c. Paspaustų drėkinimo režimo pasirinkimo mygtuką ir iš naujo paleistų drėkinimą.

TECHNINĖ PRIEŽIŪRA

⚠ ĮSPĖJIMAS: Vykdami techninės priežiūros darbus, naudokite tik identiškas atsargines dalis. Naudojant bet kokias kitas dalis, gali kilti pavojus arba sugesti gaminyje. Norint užtikrinti saugumą ir patikimumą, visus remonto darbus turi atlikti kvalifikuotas techninės priežiūros specialistas.

⚠ ĮSPĖJIMAS: Visada išimkite sudėtinę bateriją iš gaminio prieš jį valydami arba prieš atlikdami jo techninės priežiūros darbus, kad išvengtumėte pavojaus sunkiai susižaloti.

BENDROJI PRIEŽIŪRA

Plastikinių dalių nevalykite tirpikliais. Įvairūs komerciniai tirpikliai gali pažeisti įvairių tipų plastiką ir jų naudoti nerekomenduojama. Purva, dulkes, alyvą, tepalus ir t. t. valykite švaria šluoste.

⚠ ĮSPĖJIMAS: Jokiu būdu neleiskite ant plastikinių dalių patekti stabdžių skysčiui, benzinui, naftos produktams, skvarbiai alyvai ir pan. Cheminės medžiagos plastiką gali sugadinti, susilpninti arba suardyti. Dėl to galite sunkiai susižaloti.

PURKŠTUKŲ PRIEŽIŪRA (G pav.)

⚠ ĮSPĖJIMAS: Visa drėkinimo purkštukų techninė priežiūra turi būti tinkamai vykdoma, kad būtų išvengta vandens pratekėjimo. Dėl pratekėjimo gali susidaryti slidus paviršius, sukeliantis paslydimą ir nukritimo pavojų, arba galite sugadinti turą.

Purkštukų valymas

1. Išjunkite ventilatorių ir išimkite sudėtinę bateriją.
2. Nuimkite užsikimšusius žalvarinius drėkinimo purkštukus sukdamai juos PRIEŠ LAIKRODŽIO RODYKLĘ.
3. Išardykite kiekvieną užsikimšusį purkštuką į atskiras dalis.
4. **Norėdami pašalinti bet kokias pašalines daleles, užsikimšusius purkštukus ar ribojančias jų srautą, purkštukų dalis praplaukite vandeniu. Norėdami pašalinti kalkines nuosėdas, jei reikia, praplaukite**

purkštukų dalis baltuoju actu arba kita kalkių šalinimo priemone.

5. Vėl surinkite purkštukus.

PASTABA: Norėdami išvengti užsikimšimo, purkštuką surinkite tiksliai taip, kaip pavaizduota G pav.

6. Pritvirtinkite išvalytus purkštukus.

FILTRO PRIEŽIŪRA (H pav.)

Periodiškai tikrinkite filtrą įsiurbimo vamzdelio gale, kad įsitikintumėte, jog jis yra geros būklės.

1. Ištraukite filtrą iš įsiurbimo vamzdelio.
2. Išardykite filtrą atsukdami jo dalis ir išimkite tinklinę kempinę.
3. Išplaukite tinklinę kempinę arba pakeiskite, jei reikia.
4. Vėl surinkite filtrą ir prijunkite prie įsiurbimo vamzdelio.

H pav. pavaizduotų dalių aprašas:

H-1	Filtras	H-3	Tinklinė kempinė
H-2	Viršutinė dalis	H-4	Apatinė dalis

VENTILIATORIAUS KORPUSO PRIEŽIŪRA (I1 ir I2 pav.)

⚠️ ĮSPĖJIMAS: Prieš nuimant apsaugą iš gaminio reikia ištraukti sudėtines baterijas.

1. Išsukite ir ištraukite šešis varžtus, kad DALINAI atkeltumėte priekines apsaugines grotelės nuo ventiliatoriaus korpuso.

⚠️ DĖMESIO: Kad gaminio nesugadintumėte, priekinių apsauginių grotelių visiškai nenuimkite, PRIEŠ TAI neatjungę įsiurbimo vamzdelio.

2. Nuspauskite juodą gumą veržlės gale, kad ištrauktumėte įsiurbimo vamzdelį.
3. Visiškai nuimkite priekines apsaugines grotelės.
4. Pasukite ventiliatoriaus menčių užrakto rankenėlę pagal laikrodžio rodyklę, kad atjungtumėte ventiliatoriaus mentę nuo veleno.
5. Nuimkite ventiliatoriaus mentę.
6. Jei reikia, nuvalykite ventiliatoriaus mentę ir korpuso vidų.
7. Surinkite šias dalis atvirkštine tvarka ir patikrinkite, ar:
 - įsiurbimo vamzdelis tinkamai prijungtas prie veržlės;
 - įsiurbimo vamzdelis tinkamai įstatytas į apsauginių grotelių plyšį.

I1 ir I2 pav. pavaizduotų dalių aprašas:

I1-1	Priekinės apsauginės grotelės	I1-4	Juoda guma
I1-2	Varžtas (6)	I1-5	Vandens įsiurbimo vamzdelis
I1-3	Veržlė	I2-1	Užrakto rankenėlė
I2-2	Ventiliatoriaus mentė		

GABENIMAS

- Ventiliatoriuje yra viršutinė rankena, skirta ventiliatoriui pemešti trumpais atstumais arba perkelti per nelygų paviršių.
- Gabendami tolimesniais atstumais, naudokite sustumiamą rankeną ir ventiliatorių stumkite. Paėmę už viršutinės rankenos ventiliatorių pakreipkite, o tuomet traukite sustumiamą rankeną, kol išgirsite spragtelėjimą. Nenaudojamą sustumiamą rankeną įstumkite į prietaisą (J pav.).

LAIKYMAS

1. Išimkite sudėtinę bateriją.
2. Kruopščiai išvalykite ventiliatorių.
3. Ištuštinkite įsiurbimo vamzdelį ir filtrą.
4. Įsiurbimo vamzdelį įstatykite į bet kurią laikymo padėtį ventiliatoriaus gale (K1 ir K2 pav.).
5. Laikykite sausoje, gerai vėdinamoje ir vaikams neprieinamoje vietoje. Nelaikykite ventiliatoriaus ant arba prie trąšų, benzino ar kitų cheminių medžiagų.

APLINKOS APSAUGA



Neišmeskite elektros įrangos, panaudotų baterijų ir įkroviklio kartu su buitinėmis atliekomis! Šias atliekas reikia pristatyti į jų surinkimo vietą ar įgaliotam perdirbėjui. Elektrinius įrankius reikia grąžinti į tokių atliekų perdirbimo įmonę.

TRIKIŲ ŠALINIMAS

PROBLEMA	PRIEŽASTIS	SPRENDIMAS
Prietaisas neveikia.	<ul style="list-style-type: none"> Žemas sudėtinės baterijos įkrovos lygis. Sudėtinė baterija arba ventiliatorius pernelyg įkaitę. 	<ul style="list-style-type: none"> Įkraukite sudėtinę bateriją. Išjunkite ventiliatorių ir palaukite, kol ventiliatorius ir sudėtinė baterija atvės.
Neveikia drėkinimo funkcija ir drėkinimo indikatoriuje mirksi dvi žalios lemputės.	<ul style="list-style-type: none"> Įsiurbimo vamzdelis nesiurbia vandens, todėl įrankio viduje suveikė vandens siurblio vidinė apsauga. Veikimo metu užsikimšo drėkinimo purkštukas (-ai), todėl suveikė vandens siurblio vidinė apsauga. 	<ul style="list-style-type: none"> Patikrinkite ir įsitikinkite, ar vandens talpykloje yra pakankamai vandens, o įsiurbimo vamzdelis tinkamai panardintas į vandenį. Nuvalykite purkštuką (-us) pagal skyriuje „PURKŠTUKŲ PRIEŽIŪRA“ pateiktus nurodymus ir vėl juos surinkite, kaip nurodyta.
Atlikus ventiliatoriaus korpuso techninę priežiūrą prateka vanduo.	<ul style="list-style-type: none"> Atsilaisvino veržlė, prijungta prie įsiurbimo vamzdelio. 	<ul style="list-style-type: none"> Atidarykite ventiliatoriaus korpusą pagal skyriuje „VENTILIATORIAUS KORPUSO PRIEŽIŪRA“ pateiktus nurodymus. Patikrinkite ir įsitikinkite, ar veržlė tinkamai priveržta.

GARANTIJA

EGO GARANTIJOS TAISYKLĖS

Jei norite sužinoti visas EGO garantinių taisyklių sąlygas, apsilankykite interneto svetainėje egopowerplus.com.

IZLASIET VISUS NORĀDĪJUMUS!



IZLASIET LIETOTĀJA ROKASGRĀMATU

⚠ BRĪDINĀJUMS! Lai garantētu drošību un uzticamību, ierīces remontu un tās detaļu nomaiņu uzticiet veikt tikai kvalificētam servisa tehnikam.

DROŠĪBAS SIMBOLI

Drošības apzīmējumi ir paredzēti, lai pievērstu jūsu uzmanību iespējamem apdraudējumiem. Pievērsiet uzmanību drošības apzīmējumiem un to skaidrojumiem, un izprotiet tos. Brīdinājumu apzīmējumi paši par sevi nenovērš apdraudējumu. Tajos ietvertie norādījumi un brīdinājumi neaizstāj atbilstošu negadījumu novēršanas pasākumu īstenošanu.

⚠ BRĪDINĀJUMS! Pirms šī instrumenta lietošanas izlasiet un izprotiet visus šajā lietotāja rokasgrāmatā iekļautos drošības norādījumus, tostarp visus drošības brīdinājuma apzīmējumus, piemēram, „**BĪSTAMI!**”, „**BRĪDINĀJUMS!**” un „**UZMANĪBU!**”. Visu turpmāk uzskaitīto norādījumu neievērošana var izraisīt elektriskās strāvas triecienu, aizdegšanos un/vai smagus miesas bojājumus.

	Drošības brīdinājums	Piesardzības pasākumi Jūsu drošībai
	Izlasiet un izprotiet lietotāja rokasgrāmatu	Lai mazinātu traumu rašanās bīstamību, pirms šī izstrādājuma lietošanas tā lietotājam jāizlasa un jāizprot lietošanas rokasgrāmatā.
	Lietus apstākļi	Sargāt no lietus.
	CE	Šis izstrādājums atbilst piemērojamām EK direktīvām.
	UKCA	Šis izstrādājums atbilst piemērojamiem Apvienotās Karalistes tiesību aktiem.

	EEIA	Elektrisko izstrādājumu atkritumus nedrīkst izmest kopā ar sadzīves atkritumiem. Nogādāt uz pilnvarotu pārstrādes punktu.
IPX4	Aizsardzības klase	Aizsardzība pret ūdens šļakatām
	Līdzstrāva	Strāvas veids vai raksturojums
V	Volti	Spriegums
cm	Centimetrs	Garums vai izmērs
m/s	Metri sekundē	Ātrums
L/h	Litri stundā	Plūsmas ātrums
°C	Celsijs	Temperatūra
kg	Kilograms	Svars

VISPĀRĪGI DROŠĪBAS BRĪDINĀJUMI

BRĪDINĀJUMS! Lai samazinātu ugunsgrēka, elektrošoka vai traumas risku:

- **Iepazīstiet savu miglošanas ventilatoru. Rūpīgi izlasiet rokasgrāmatu. Noskaidrojiet, kāds ir ventilatora pielietojums un lietošanas ierobežojums, kā arī iespējams apdraudējums, ko tas var izraisīt.** Ievērojot šos noteikumus, samazināsiet elektrošoka, ugunsgrēka vai nopietnu traumu gūšanas risku.
- Šī ierīce nav paredzēta lietošanai personām (ieskaitot bērnus) ar pazeminātām fiziskām, maiņu vai garīgām spējām vai pieredzes un zināšanu trūkumu, ja par šo personu drošību atbildīgā persona nav veikusi apmācību vai sniegusi norādījumus sakarā ar ierīces lietošanu.
- Jāuzrauga, lai bērni nerotātos ar šo ierīci.

DROŠĪBA DARBA ZONĀ

- **Nedarbiniet ventilatoru sprādzienbīstamā vidē, piemēram, uzliesmojošu šķidrumu, gāzu vai putekļu tuvumā.**
- **Neļaujiet bērniem un klātesošajiem atrasties ieslēgtas ierīces tuvumā.** Apjukuma brīdī jūs varat zaudēt vadību pār ierīci.
- **Lietojot vējainos laikapstākļos, ievērojiet piesardzību.** Vējš var pārnest miglu uz elektrības vadiem vai ierīcēs.

LV

- **Nepakļaujiet ierīci lietus vai mitru apstākļu iedarbībai.** Mitruma iekļūšana ierīcē palielina elektriskās strāvas trieciena risku.

PERSONĪGĀ DROŠĪBA

- **Izmantojot ierīci, esiet modri, pievērsiet uzmanību tam, ko jūs darāt, un rīkojieties ar to saprātīgi.** Neizmantojiet ierīci, ja esat noguris, satraucies vai atrodaties narkotiku vai alkohola reibumā vai medikamentu ietekmē. Brīdis neuzmanības, darbojoties ar ierīci, var izraisīt nopietnas traumas.
- **Novērsiet nejaušas ieslēgšanās iespējamību.** Pirms pievienojat ierīci akumulatora blokam, to paceļat vai pārnesat uz citu vietu, pārliecinieties, vai slēdzis atrodas izslēgtā stāvoklī. Pārnēsājot ierīci ar pirkstu uz slēdža vai iedarbinot ierīci, kas jau ir ieslēgtā stāvoklī, var notikt nelaimes gadījums.
- **Pirms ierīces ieslēgšanas izņemiet visas noregulēšanas vai uzgriežņu atslēgas.** Uzgriežņatslēga vai atslēga, kas palikusi piestiprināta pie ierīces rotējošās daļas, var izraisīt ievainojumus.
- **Nepārvērtējiet savas spējas. Iegemiet pareizu stāju un vienmēr saglabājiet līdzsvaru.** Tādējādi jūs varēsiet labāk apvaldīt ierīci negaidītās situācijās.
- **Valkājiet atbilstošu apģērbu. Nevalkājiet vaļīgu apģērbu vai rotaslietas. Sargājiet matus, apģērbu un cimdus no kustīgajām daļām.** Vaļīgs apģērbs, rotaslietas vai gari mati var iekerties instrumenta kustīgajās daļās.
- **Pirms ierīces lietošanas pārbaudiet, vai visi savienojumi ir stingri pievilkti.**
- **Nepieļaujiet, ka ierīces bieža lietošana varētu izraisīt nevērīgu attieksmi darbā ar to, un neignorējiet ar ierīces lietošanu saistītos drošības principus.** Viens brīdis neuzmanības var izraisīt nopietnas traumas.

LIETOŠANA UN APKOPE

- **Nelietojiet ierīci, ja to nav iespējams ieslēgt un izslēgt ar slēdzi.** Jebkura ierīce, kuras ieslēgšanas/izslēgšanas slēdzis nedarbojas, ir bīstama, un to ir nepieciešams salabot.
- **Pirms ierīces regulēšanas, piederumu nomaiņšanas vai novietošanas glabāšanā atvienojiet to no akumulatoru bloka.** Šie drošības pasākumi palīdzēs izvairīties no nejaušas ierīces ieslēgšanas.
- **Ja ierīce kādu laiku netiek lietota, uzglabājiet to bērniem nepieejamā vietā un neļaujiet ar ierīci darboties personām, kas ierīci nepārzina vai nav izlasījušas šo instrukciju.** Ierīces ir bīstamas, ja ar tām darbojas neapmācīti lietotāji.

- **Veiciet ierīcei un piederumiem apkopi.** Pārbaudiet, vai kustīgās daļas ir pareizi savienotas un nostiprinātas, vai detaļas nav bojātas, kā arī vai nav kāds cits apstāklis, kas varētu ietekmēt ierīces darbību. Ja ierīce ir bojāta, pirms lietošanas tā ir jāsalabo. Daudzu negadījumu cēlonis ir sliktā stāvoklī esošas ierīces izmantošana.
- **Lietojiet ierīci, tās piederumus utt. atbilstoši šiem norādījumiem, ņemot vērā darba apstākļus un veicamo uzdevumu.** Ierīces lietošana neparedzētiem mērķiem var radīt bīstamu situāciju.
- **Rokturiem un satveršanas daļām jābūt sausiem, tīriem un uz tiem nedrīkst būt eļļa vai smērviela.** Ja rokturi un satveršanas daļas ir mitras, tās slidēs, un ar instrumentu vairs nebūs droši strādāt, kā arī apvaldīt neparedzētu apstākļu gadījumos.

⚠ BRĪDINĀJUMS! Lai samazinātu ugunsgrēka vai elektriskās strāvas trieciena risku, nelietojiet šo ventilatoru ar cietvielu ātruma regulēšanas ierīci.

AKUMULATORA LIETOŠANA UN APKOPE

- **Uzlādējiet instrumentu tikai ar ražotāja noteikto lādētāju.** Lādētājs, kas paredzēts lietošanai tikai ar viena veida akumulatoru bloku, var radīt aizdegšanās draudus, ja to izmanto kopā ar citu akumulatoru bloku.
- **Lietojiet ierīci kopā tikai ar tai paredzētiem akumulatoru blokiem.** Jebkura cita akumulatoru bloka lietošana var radīt traumu gūšanas un aizdegšanās risku.
- **Kad akumulatoru bloks netiek izmantots, neglabājiet to citu metāla priekšmetu, piemēram, papīra saspuraužu, monētu, atslēgu, naglu, skrūvju vai citu sīku metāla priekšmetu, kas var veidot savienojumu starp spailēm, tuvumā.** Akumulatora spaiļu īsslēgums var izraisīt aizdegšanos vai ugunsgrēku.
- **Nepareizas rīcības gadījumā no akumulatora var izteciēt šķidrums; izvairieties no saskares ar to. Ja tas nejauši nokļuvis uz ādas, noskalojiet ar ūdeni.** Ja šķidrums iekļuvis acīs, nekavējoties meklējiet medicīnisko palīdzību. No akumulatora izkļuvušais šķidrums var izraisīt kairinājumu vai apdegumus.
- **Nelietojiet bojātu vai pārveidotu akumulatoru bloku vai ierīci.** Bojātu vai pārveidotu akumulatoru izmantošana var radīt neparedzamus apstākļus, kas rada aizdegšanās, sprādziena vai traumas gūšanas draudus.
- **Nepakļaujiet akumulatoru bloku vai ierīci uguns liesmu vai pārmērīgas temperatūras iedarbībai.** Uguns liesmu iedarbība vai temperatūra virs 130°C var izraisīt sprādzienu.

LV

- **Izpildiet visas uzlādēšanas instrukcijas un neuzlādējiet akumulatoru bloku vai ierīci ārpus instrukcijās norādītajām temperatūras vērtībām.** Ja iekārta tiek uzlādēta nepareizi vai tiek pārsniegtas instrukcijās norādītās uzlādēšanas temperatūras vērtības, akumulators var sabojāties un palielināt aizdegšanās risku.

SERVISS

- **Jūsu ierīcei remontdarbus veic tikai kvalificēts speciālists, kas izmanto tikai identiskas rezerves daļas.** Tādējādi tiek saglabāta ierīces ekspluatācijas drošība.
- **Nekad neveiciet bojātam akumulatoru blokam remontdarbus pašrocīgi.** Bojāta akumulatoru bloka remontdarbus drīkst veikt tikai ražotājs vai pilnvaroti servisa darbinieki.

DROŠĪBAS NORĀDĪJUMI PAR BEZVADU VENTILATORU AR MIGLOŠANAS FUNKCIJU


- **Neļaujiet izmantot ventilatoru kā rotaļlietu.** Cieša vērība ir nepieciešama, ja to izmanto bērni vai to izmanto bērnu tuvumā.
- **Bērni var iekrist spaiņos un noslīkt.** Raugiet, lai bērni netuvojas spaiņiem, kuros ir pat neliels šķidrums daudzums.
- **Izmantojiet TIKAI tīru, aukstu ūdeni.**
- **Neizmantojiet šo miglošanas ventilatoru pesticīdu, šķidro mēslošanas līdzekļu, ķīmisko vielu vai citu šķidrumu izsmidzināšanai, izņemot tīru ūdeni.** Šādu vielu izsmidzināšana var izraisīt nopietnus kaitējumus lietotājam vai kļātesošajiem.
- **Nekad nevirziet miglīgu vai ūdeni pret elektrības vadiem vai ierīcēm.**
- **Pārliecinieties, vai akumulatora nodalījuma vāciņš ir pilnībā aizvērts, lai novērstu ūdens saskari ar akumulatoru vai iekļūšanu akumulatora pieslēgvietā.**
- **Uzturiet ierīci un tās rokturi sausus un tīrus, un raugiet, lai uz tiem neatrastos nopilējusi eļļa un smērviela.** Tīrīšanai vienmēr izmantojiet tīru lupatiņu. Nekad ventilatora tīrīšanai neizmantojiet bremžu šķidrumus, benzīnu, naftas produktus vai jebkādu citu spēcīgu šķīdinātāju. Ievērojot šo noteikumu, samazināsies risks zaudēt kontroli un norobežojošās plastmasas stāvokļa pasliktināšanās risks.
- **Akumulatori var eksplodēt aizdegšanās avotu, piemēram, signāllampīgas, klātbūtnē.** Lai mazinātu nopietnu traumu gūšanas risku, nekad neizmantojiet nevienu bezvadu produktu atklātās

liesmas tuvumā. Eksplodējis akumulators var izsviest atlūzas un ķīmikālijas. Nonākot ar tām saskarē, tūlīt skalot ar ūdeni.

- **Saglabājiet šo norādījumus.** Vairākkārt pārlasiet un izmantojiet šo instrukciju, lai sniegtu norādījumus citiem, kas izmanto šo ventilatoru. Ja kādam aizdodat šo ventilatoru, pievienojiet arī šo instrukciju, lai nepieļautu nepareizu ventilatora izmantošanu un traumu rašanos.
 - **Ņemiet vērā, ka augsts mitruma līmenis var veicināt bioloģisko organismu augšanu vidē.**
 - **Nepieļaujiet, ka vieta ap miglošanas ventilatoru kļūst slapja vai mitra.** Ja rodas mitrums, samaziniet miglošanas ventilatora jaudu. Ja miglošanas ventilatora jaudu nevar samazināt, izmantojiet ierīci ar pārtraukumiem. Nepieļaujiet, ka absorbējoši materiāli, piemēram, paklāji, aizkari vai galdauti, kļūst mitri.
 - **Nekad neatstājiet ūdeni tvertnē, kamēr ierīce netiek izmantota.**
 - **Pirms uzglabāšanas miglošanas ventilators ir jāiztukšo un jānotīra.** Mitrinātājs ir jānotīra pirms nākamās lietošanas reizes.
- ⚠ BRĪDINĀJUMS!** Mikroorganismi, kas atrodas ūdenī vai vidē, kurā ierīce tiek lietota vai uzglabāta, var augt ūdens tvertnē un tikt izpūsti gaisā, radot ļoti nopietnus draudus veselībai, ja ūdens netiek atjaunots un tvertne netiek kārtīgi iztīrīta ik pēc 3 dienām.
- **Uzlādējamos akumulatorus pirms uzlādēšanas ir jāizņem no ierīces**
 - **Izlietotus akumulatorus ir jāizņem no ierīces un jāiznīcina drošā veidā**
 - **Ja ierīci ilgstoši neizmantos, izņemiet no tās akumulatorus.**
 - **Neveidojiet elektriskās enerģijas spailēs īssavienojumu.**

SAGLABĀJIET ŠOS NORĀDĪJUMUS!

SPECIFIKĀCIJAS

Spriegums	56 V 
Ventilatora lāpstiņas diametrs	45,7 cm
Ventilatora ātruma iestatījumi	6 (ieskaitot "Turbo")
Maks. Gaisa tilpums	7000 m ³ /h
Maks. Gaisa ātrums	10,3 m/s
Miglošanas ūdens tilpums	I: 4,5 l/h
	II: 11,4 l/h

LV

Ieteicamā uzglabāšanas temperatūra	-20°C ~ 70°C
Svars (bez akumulatoru bloka)	10,4 kg

KOMPLEKTĀCIJA

DAĻAS NOSAUKUMS		SKAITS
Ventilators ar miglošanas funkciju		1
Lāpstīņu daļa	Rītenis	2
	Rīteņa vāciņš	2
	Skrūve ar paplāksni	2
Augšējā roktura daļa	Augšējais rokturis	1
	Skrūve ar paplāksni	4
Uzgriežņu atslēga		1
Rezerves sprausla		1
Lietotāja rokasgrāmata		1

APRAKSTS

IEPAZĪSTIET SAVU MIGLOŠANAS VENTILATORU (A un A1. att.)

1. Augšējais rokturis
2. Ventilatora korpusa
3. Ventilatora korpusa bloķēšanas poga
4. Rītenis (x2)
5. Miglošanas sprausla (x4)
6. Teleskopiskais rokturis
7. Akumulatoru nodalījums
8. Ieplūdes caurule
9. Filtrs
10. Vadības saskarne
11. Barošanas poga
12. Gaisa ātruma indikators
13. TURBO indikators
14. Poga TURBO
15. Gaisa padeves ātruma regulēšanas poga
16. Miglošanas režīma izvēles poga
17. Miglīņas indikators

MONTĀŽA

⚠ BRĪDINĀJUMS! Ja kāda daļa ir bojāta vai trūkst, nedarbiniet šo izstrādājumu, kamēr nav nomainīta bojātā daļa. Darbinot šo izstrādājumu ar bojātām vai trūkstošām daļām, varat gūt smagus miesas bojājumus.

⚠ BRĪDINĀJUMS! Nemēģiniet pārveidot šo ierīci vai izveidot piederumus, kas nav ieteicami lietošanai kopā ar šo ventilatoru. Jebkādi šādi uzlabojumi vai pārveidojumi ir uzskatāmi par neatbilstošiem lietošanai un var radīt bīstamus apstākļus, kas var izraisīt nopietnus ievainojumus.

⚠ BRĪDINĀJUMS! Vienmēr izņemiet akumulatoru bloku no produkta, ja tiek veikta detaļu izjaukšana, regulēšanas vai tīrīšanas darbi, kā arī tad, kad produkts netiek lietots. Akumulatora izņemšana ļaus izvairīties no nejaūšas iedarbināšanas, kas var izraisīt nopietnus savainojumus,

RĪTEŅU UZSTĀDĪŠANA (B att.)

1. Salāgojiet viena rīteņa atveri ar ventilatora rīteņa asi un uzstādiet rīteni uz ass.
2. Ieskrūvējiet vienu no rīteņa skrūvēm caur rīteņa atveri rīteņa asi, pēc tam pievelciet skrūvi ar komplektācijā iekļauto uzgriežņu atslēgu.
3. Uzlieciet rītenim vāciņu.
4. Samontējiet otru rīteni, veicot iepriekš minēto 1.–3. darbību.

AUGŠĒJĀ ROKTURA PIESTIPINĀŠANA (C att.)

1. Salāgojiet visas četras komplektā esošās skrūves ar atverēm augšējā rokturī un caurumiem ventilatora korpusā.
2. Ievietojiet skrūves un pēc tam pievelciet tās ar komplektācijā iekļauto uzgriežņu atslēgu.

Zemāk norādīts B un C attēla detaļu apraksts:

B-1	Rītenis (2)	B-3	Skrūve ar paplāksni (2)
B-2	Rīteņa ass (2)	B-4	Rīteņa vāciņš (2)
C-1	Augšējais rokturis	C-2	Skrūve ar paplāksni (4)
C-3	Skrūves caurums		

EKSPLUATĀCIJA

⚠ BRĪDINĀJUMS! Saglabājiet modrību visu griezējinstrumenta lietošanas laiku. Neaizmirstiet, ka pat mīkls neuzmanības var izraisīt nopietnu traumu.

⚠ BRĪDINĀJUMS! Nelietojiet palīgierīces vai piederumus, ko nav ieteicis šī produkta ražotājs. Šādu neapstiprinātu palīgierīču vai piederumu lietošana var radīt nopietnus ievainojumus.

Pirms katras lietošanas pārbaudiet visu ierīci, vai tā nav bojāta, vai tai nav trūkstošu vai atskrūvējušos daļu, piemēram, skrūves, uzgriežņi, bultskrūves, vāciņi utt. Stingri pievelciet visus stiprinājumus un vāciņus un nedarbiniet izstrādājumu, kamēr nav nomainītas visas trūkstošās vai bojātās daļas.

⚠ BRĪDINĀJUMS! Vienmēr izņemiet akumulatoru no ierīces, kad montējat daļas, labojat, tīrāt vai tad, kad ierīce netiek lietota. Akumulatora izņemšana ļaus izvairīties no nejaušas iedarbināšanas, kas var izraisīt nopietnus savainojumus,

PIELIETOJUMS

Šo izstrādājumu var lietot tālāk norādītajiem mērķiem:

- Vispārējā ventilācija, kas piemērota lielākajai daļai mājstaiņniecību
- Āra dzesēšanas funkcija pievienotam ūdens avotam

VENTILATORA LEŅĶA REGULĒŠANA (D att.)

1. Satveriet augšējo rokturi, lai pieturētu ventilatora korpusu
2. Pagrieziet ventilatora korpusa bloķēšanas pogu **PRETĒJI PULKSTENRĀDĪTĀJA VIRZĪENAM**, lai atskrūvētu regulējamo ventilatora korpusu.
3. Nolieciet regulējamo ventilatora korpusu uz priekšu vai atpakaļ vēlamajā leņķī. Ventilatoru var pagriezt par 90° uz priekšu līdz pat 135° atpakaļvirzienā.
4. Lai nostiprinātu ventilatora korpusu vajadzīgajā leņķī, pagrieziet bloķēšanas rokturi pulksteņrādītāja kustības virzienā.

AKUMULATORU BLOKA IEVIETOŠANA/IZŅEMŠANA (E att.)

Izmantojiet kopā tikai ar A2 attēlā norādītajiem EGO akumulatoru blokiem un lādētājiem.

Pirms pirmās lietošanas reizes akumulators ir pilnībā jāuzlādē.

Piestiprināšana

1. Lai atvērtu akumulatora nodalījuma vāciņu, pavelciet to.
2. Novietojiet akumulatora valnišus pretī uzstādīšanas slotiem un spiediet akumulatoru uz leju līdz dzirdat klikšķi.

Izņemšana

174

1. Nospiediet akumulatora atbrīvošanas pogu un izņemiet akumulatoru.
2. Nospiediet akumulatora nodalījuma vāciņu, lai to aizvērtu. Pārlicinieties, lai tas būtu pilnībā aizvērts, lai ūdens nenonāktu saskarē ar akumulatoru vai neiekļūtu akumulatora pieslēgvietā.

Zemāk norādīts E attēla detaļu apraksts

E-1	Akumulatora atbrīvošanas poga
E-2	Akumulatoru nodalījuma vāciņš

MIGLOŠANAS VENTILATORA PALAIŠANA/ APTURĒŠANA

PIEZĪME! Sākotnējais rūpnīcas iestatījums gaisa plūsmas padeves ātrumam ir 3. līmenis. Ventilators saglabās pēdējo izmantoto gaisa plūsmas padeves ātruma iestatījumu un atgriezīsies pie tā pēc atkārtotas palaišanas.

SVARĪGI! Turbo iestatījums netiks saglabāts.

PIEZĪME! Miglošanas iestatījums netiks saglabāts, un pēc noklusējuma tas tiks izslēgts katru reizi, ieslēdzot ventilatoru.

BAROŠANAS POGA

- Lai ieslēgtu ventilatoru, īsi nospiediet barošanas pogu.
- Vēlreiz īsi nospiediet barošanas pogu, lai ventilatoru izslēgtu.

GAISA PLŪSMAS PADEVES ĀTRUMA REGULĒŠANA

Parasts gaisa plūsmas padeves ātrums

- Nospiediet pogu "+", lai paātrinātu gaisa plūsmas padeves ātrumu, bet, lai samazinātu gaisa plūsmas padeves ātrumu, nospiediet pogu "-". Ierīcei ir 5 ātruma līmeņi.
- Gaisa plūsmas padeves ātruma indikators deg zaļā krāsā atbilstoši pašreizējam ātruma līmenim.

TURBO režīms

- Nospiediet pogu "TURBO", un TURBO indikators iedegsies zaļā krāsā, savukārt ventilators pārslēgsies "TURBO" režīmā, t.i., augstākajā gaisa plūsmas padeves ātrumā.
- "TURBO" režīmā vēlreiz nospiediet "TURBO" pogu, un TURBO indikators izslēgsies, bet ventilators atsāks iepriekš aktivizēto gaisa plūsmas padeves ātrumu.
- Režīmā "TURBO" nospiediet pogu "-", un TURBO indikators izslēgsies, bet ventilators pārslēgsies uz 5. gaisa plūsmas padeves ātruma līmeni.

MIGLOŠANAS FUNKCIJA

VENTILATORA IZMANTOŠANA KOPĀ AR ŪDENS SPAINI (NAV IEKĻAUTS KOMPLEKTĀ) (F attēls)

⚠ BRĪDINĀJUMS! Bērni var iekrist spaiņos un noslīkt. Raugiet, lai bērni netuvotos spaiņiem, kuros ir pat neliels šķidrums daudzums.

PIEZĪME! Pirms katras lietošanas reizes izmazgājiet spaini ar ziepēm un ūdeni.

1. Atvienojiet akumulatoru bloku.
2. Novietojiet spaini uz līdzenas virsmas.
3. Ielejiet spainī TIKAI tīru, aukstu ūdeni. Nepārpildiet.
4. Iegremdējiet iepļūdes caurules filtrējošo galu ūdens spainī.

PIEZĪME! Nesalieciet iepļūdes cauruli un vienmēr pārīecinieties, vai ūdens caur cauruli plūst vienmērīgi.

5. Uzstādiet akumulatoru un aizveriet akumulatora nodalījuma vāciņu.
6. Lai ieslēgtu ventilatoru, nospiediet barošanas pogu.
7. Lai sāktu miglošanu, nospiediet miglošanas režīma izvēles pogu.

- Nospiediet miglošanas režīma izvēles pogu vienu reizi, un miglošanas indikatorā iedegsies divas zaļās lampiņas, kas norādīs uz "nepārtrauktas" miglošanas režīmu — miglošana notiks visu laiku bez apstājas.

PIEZĪME! Pirmo reizi pēc režīma aktivēšanas var paiet aptuveni 15 sekundes, kamēr no miglošanas sprauslām parādīsies migliņa. Šī aizkave ir saistīta ar laiku, kāds nepieciešams, lai ūdens aizplūstu uz sprauslām no ūdens spaiņa.

- Vēlreiz nospiediet miglošanas režīma izvēles pogu, un miglošanas indikatorā iedegsies viena zaļā gaišmaņa, kas norādīs uz "periodiskās" miglošanas režīmu — miglošana notiks 5 sekundes ik pēc 10 sekundēm.
- Ja miglošana ir aktivizēta periodiskajā režīmā, vēlreiz nospiediet miglošanas režīma izvēles pogu, miglošanas indikatoru gaišmaņas izslēgsies un miglošana tiks pārtraukta.

PIEZĪME! Kad miglošana būs pabeigta, izvelciet iepļūdes cauruli laukā no ūdens un palaidiet ventilatoru miglošanas režīmā, kamēr no caurules iztek viss ūdens. Tas palīdz novērst negaidītu migliņas izsmidzināšanos, ko izraisa ūdens atlikums caurulē, vēlreiz ieslēdzot ventilatoru.

VENTILATORA LIETOŠANA BEZ MIGLOŠANAS FUNKCIJAS

Ja vēlaties, šo ierīci var izmantot tikai kā ventilatoru, ja vien tā nav pieslēgta ūdens avotam. Kad iepļūdes caurule

netiek izmantota, vienmēr novietojiet to glabāšanas vietā (skatīt šīs rokasgrāmatas sadaļu "GLABĀŠANA"), lai pasargātu to no bojājumiem un piesārņošanās.

IEKŠĒJĀ AIZSARDZĪBA

Ja miglošanas funkcija ir aktivizēta, bet ūdens migliņa neizplūst:

- Ūdens sūknis darbosies īsu brīdi un pēc tam automātiski apstāsies, lai aizsargātu iekšējo elektroniku.
- Atkarībā no miglošanas režīma migliņas indikators uz īsu brīdi parāda vienu vai divas pastāvīgi degošas zaļās gaismas un pēc tam nepārtraukti mirgo zaļā(-ās) gaisma(-as), brīdinot lietotāju par:
 - a. Pārbaudiet, vai iepļūdes caurule ir pareizi iegremdēta ūdenī.
 - b. Pārbaudiet, vai miglošanas sprausla(-as) nav aizsērējusi(-as), un iztīriet to atbilstoši nodalījā "SPRAUSLAS APKOPE" aprakstam.
 - c. Nospiediet miglošanas režīma izvēles pogu, lai atsāktu miglošanu.

APKOPE

⚠ BRĪDINĀJUMS! Veicot apkopi, izmantojiet tikai identiskas rezerves daļas. Jebkuru citu daļu izmantošana var radīt apdraudējumu vai instrumenta bojājumus. Lai garantētu drošu un uzticamu instrumenta darbību, visi remontdarbi jāveic kvalificētam servisa speciālistam.

⚠ BRĪDINĀJUMS! Lai izvairītos no nopietnu traumu gūšanas, vienmēr pirms tīrīšanas vai apkopes darbu veikšanas izņemiet no produkta akumulatoru bloku.

VISPĀRĒJĀ APKOPE

Plastmasas detaļu tīrīšanai neizmantojiet šķīdinātājus. Vairums plastmasu ir uzņēmīgas pret dažāda veida komerciālu šķīdinātāju radītiem bojājumiem un, tos izmantojot, var tikt sabojātas. Lai notīrītu netīrumus, putekļus, eļļu, smērvielas u.c., izmantojiet tīras lupatiņas.

⚠ BRĪDINĀJUMS! Nekādā gadījumā neļaujiet bremžu šķidrumiem, benzīnam, naftas produktiem, piesūcināšanas eļļām u. tml. vieļām nonākt saskarē ar plastmasas daļām. Ķīmiskās vielas var radīt bojājumus, kā arī mazināt plastmasas daļas izturību vai iznīcināt tās, radot smagus miesas bojājumus.

SPRAUSLAS UZTURĒŠANA (G att.)

⚠ BRĪDINĀJUMS! Lai novērstu ūdens noplūdi, veiciet visus miglošanas sprauslu apkopes darbus pareizi. Noplūdes rezultātā var rasties slidenas virsmas, kas rada slīdēšanas un kritiena risku vai īpašuma bojājumus.

Sprauslu tīrīšana

1. Izslēdziet ventilatoru un izņemiet akumulatoru.
2. Noņemiet aizsērējušās misiņa miglošanas sprauslas, pagriežot tās PRETĒJI PULKSTENRĀDĪTĀJA KUSTĪBAS virzienam.
3. Izjauciet katru bojāto sprauslu pa daļām.
4. Lai iztīrītu svešķermeņus, kas aizsprosto vai ierobežo plūsmu sprauslās, izskalojiet sprauslu daļas ar ūdeni. Lai iztīrītu nosēdumus, iztīriet sprauslas daļas ar balto etiķi vai citu līdzekli, kas pēc nepieciešamības novērš kaļķakmens veidošanos.
5. Salieciet atpakaļ sprauslas.

PIEZĪME! Lai novērstu aizsērēšanos, sprausla ir jāsaliek tieši tā, kā tas ir parādīts G attēlā.

6. Vēlreiz piestipriniet tīras sprauslas.

FILTRA APKOPE (H att.)

Laiku pa laikam pārbaudiet filtru iekļūdes caurules galā, lai pārliecinātos, ka tas ir labā stāvoklī.

1. Noņemiet filtru no iekļūdes caurules.
2. Atskrūvējiet filtru pa daļām un izņemiet sūkļa sieti.
3. Izskalojiet sūkļa sietu vai, ja nepieciešams, nomainiet to.
4. Salieciet atpakaļ filtru un pievienojiet to iekļūdes caurulei.

Zemāk norādīts H attēla detaļu apraksts

H-1	Filtrs	H-3	Sūkļa siets
H-2	Augšējais panelis	H-4	Apakšējā daļa

LV

VENTILATORA KORPUSA APKOPE (I1. un I2. att.)

⚠️ BRĪDINĀJUMS! Pirms aizsarga noņemšanas no izstrādājuma ir jāizņem akumulatori.

1. Atskrūvējiet un izņemiet visas sešas skrūves, lai DAĻĒJI noņemtu priekšējo režģa aizsargu no ventilatora korpusa.

⚠️ UZMANĪBU! Lai izvairītos no bojājumiem, nenoņemiet priekšējo režģa aizsargu pilnībā, VISPIRMS neatvienojot iekļūdes cauruli.

2. Nospiediet melno gumijas daļu uzgriežņa galā, lai izvilktu iekļūdes cauruli.
3. Noņemiet visu priekšējo režģa aizsargu.
4. Lai atbrīvotu ventilatora lāpstiņu no vārpstas, pagriežiet ventilatora lāpstiņas bloķēšanas vāciņu pulkstenrādītāja kustības virzienā.
5. Izņemiet ventilatora lāpstiņu.

6. Vajadzības gadījumā notīriet ventilatora lāpstiņu un korpusa iekšpusi.

7. Vēlreiz samontējiet tos apgrieztā secībā un pārliecinieties, vai:
 - iekļūdes caurule ir pareizi savienota ar uzgriezni;
 - iekļūdes caurule ir pareizi ievietota režģa aizsarga atverē.

Zemāk norādīts I1 un I2 attēla detaļu apraksts

I1-1	Priekšējā režģa aizsargs	I1-4	Melnās gumijas daļa
I1-2	Skrūve (6)	I1-5	Iekļūdes caurule
I1-3	Uzgrieznis	I2-1	Bloķēšanas vāciņš
I2-2	Ventilatora lāpstiņa		

PĀRVADĀŠANA

- Ventilators ir aprīkots ar augšējo rokturi ventilatora pārnēsāšanai nelielos attālumos vai nelīdzenu vai reljefainu virsmu šķēršanai.
- Lai transportētu ventilatoru lielos attālumos, izmantojiet teleskopisko rokturi, lai to ripinātu. Izmantojiet augšējo rokturi, lai saliektu ventilatoru slīpumā, un pēc tam izvelciet teleskopisko rokturi, līdz atskan "klikšķis". Ja teleskopiskais rokturis netiek izmantots, iebīdīet to atpakaļ ierīcē (J att.).

UZGLABĀŠANA

1. Izņemiet akumulatoru bloku.
2. Rūpīgi iztīriet ventilatoru.
3. Iztukšojiet iekļūdes cauruli no filtra.
4. Iekļūdes cauruli ievietojiet jebkurā no glabāšanas pozīcijām, kas atrodas ventilatora aizmugurē (K1 un K2 att.).
5. Uzglabājiet ventilatoru sausā, labi vēdināmā un aizsildzamā, bērniem nepieejamā vietā. Neuzglabājiet ventilatoru mēslojuma, benzīna vai citu ķīmikāliju tuvumā.

APKĀRTĒJĀS VIDES AIZSARDZĪBA



Neutilizējiet elektrisko aprīkojumu, izlietoto akumulatoru un lādētāju sadzīves atkritumos! Nogādājiet šo produktu uz pilnvarotu pārstrādes punktu un sagatavojiet atkritumu šķīrošanai. Elektriskos instrumentus jānogādā videi nekaitīgā pārstrādes rūpnīcā.

KĻŪDU NOVĒRŠANA

PROBLĒMA	CĒLONIS	RISINĀJUMS
Rīks nedarbojas.	<ul style="list-style-type: none"> ■ Zems akumulatora uzlādes līmenis. ■ Akumulators vai ventilators ir pārāk karsts. 	<ul style="list-style-type: none"> ■ Uzlādējiet akumulatoru bloku. ■ Izslēdziet ventilatoru un ļaujiet ventilatoram un akumulatoram atdzist.
Netiek izsmidzināta ūdens migliņa, un miglošanas indikatorā mirgo divas zaļās gaismīņas.	<ul style="list-style-type: none"> ■ Ieplūdes caurule nesūc ūdeni, aktivizējot ierīcē esošā ūdens sūkņa iekšējo aizsardzību. ■ Darbības laikā aizsērējusi(-as) miglošanas sprausla(-as), aktivizējot ūdens sūkņa iekšējo aizsardzību. 	<ul style="list-style-type: none"> ■ Pārbaudiet un pārliecinieties, ka spainī ir pietiekami daudz ūdens un ieplūdes caurule ir pareizi iegremdēta ūdenī. ■ Notīriet sprauslu(-as) atbilstoši aprakstam nodaļā "SPRAUSLAS APKOPE" un samontējiet tās atbilstoši norādījumiem.
Pēc ventilatora korpusa apkopes rodas ūdens noplūde.	<ul style="list-style-type: none"> ■ Pēkšņi atskrūvējas uzgrieznis, kas savienots ar ieplūdes cauruli. 	<ul style="list-style-type: none"> ■ Atveriet ventilatora korpusu atbilstoši aprakstam nodaļā "VENTILATORA KORPUSA APKOPE". Pārbaudiet un pārliecinieties, vai uzgrieznis ir pilnībā pieskrūvēts.

GARANTĪJA

EGO GARANTĪJAS POLITIKA

Lūdzu, apmeklējiet tīmekļa vietni egopowerplus.com kur pieejama pilna EGO garantijas politikas noteikumu un nosacījumu versija.

ΔΙΑΒΑΣΤΕ ΟΛΕΣ ΤΙΣ ΟΔΗΓΙΕΣ!



ΔΙΑΒΑΣΤΕ ΤΟ ΕΓΧΕΙΡΙΔΙΟ ΧΡΗΣΗΣ

⚠️ ΠΡΟΕΙΔΟΠΟΙΗΣΗ: Προκειμένου να διασφαλιστεί η ασφάλεια και η αξιοπιστία, όλες οι επισκευές και οι αντικαταστάσεις πρέπει να πραγματοποιούνται από εξειδικευμένο τεχνικό σέρβις.

ΣΥΜΒΟΛΑ ΑΣΦΑΛΕΙΑΣ

Ο σκοπός των συμβόλων ασφαλείας είναι να σας επιστήσουν την προσοχή σε ενδεχόμενους κινδύνους. Προσέξτε και κατανοήστε τα σύμβολα ασφαλείας και τις επεξηγήσεις που τα συνοδεύουν. Τα σύμβολα προειδοποίησης από μόνα τους δεν εξαλείφουν κανέναν κίνδυνο. Οι οδηγίες και οι προειδοποιήσεις που παρέχουν δεν υποκαθιστούν τα κατάλληλα μέτρα πρόληψης στυχημάτων.

⚠️ ΠΡΟΕΙΔΟΠΟΙΗΣΗ: Βεβαιωθείτε ότι έχετε διαβάσει και κατανοήσει όλες τις οδηγίες ασφαλείας στο παρόν εγχειρίδιο χρήσης, συμπεριλαμβανομένων όλων των συμβόλων ασφαλείας, όπως «**ΚΙΝΔΥΝΟΣ**», «**ΠΡΟΕΙΔΟΠΟΙΗΣΗ**» και «**ΠΡΟΣΟΧΗ**», προτού να χρησιμοποιήσετε αυτό το ηλεκτρικό εργαλείο. Η μη τήρηση όλων των παρακάτω οδηγιών μπορεί να οδηγήσει σε ηλεκτροπληξία, πυρκαγιά και/ή σοβαρό τραυματισμό.

	Προειδοποίηση ασφαλείας	Προφυλάξτε που σχετίζονται με την ασφαλεία σας
	Διαβάστε και κατανοήστε το εγχειρίδιο χρήσης	Προκειμένου να μειωθεί ο κίνδυνος τραυματισμού, ο χρήστης πρέπει να διαβάσει και να κατανοήσει το εγχειρίδιο χρήσης προτού να χρησιμοποιήσει αυτό το προϊόν.
	Κατάσταση βροχής	Να μην εκτίθεται στη βροχή.
	CE	Αυτό το προϊόν συμμορφώνεται με τις εφαρμοστέες οδηγίες της ΕΚ.
	UKCA	Αυτό το προϊόν συμμορφώνεται με την εφαρμοστέα νομοθεσία του Ηνωμένου Βασιλείου.

	ΑΗΝΕ	Τα απόβλητα ειδών ηλεκτρικού και ηλεκτρονικού εξοπλισμού δεν πρέπει να απορρίπτονται στα οικιακά απορρίμματα. Παραδώστε τα σε εξουσιοδοτημένη μονάδα ανακύκλωσης.
IPX4	Βαθμός προστασίας εισόδου	Προστασία από εκτοξευμένο νερό
	Συνεχές ρεύμα	Τύπος ή χαρακτηριστικά ρεύματος
V	Volt	Τάση
cm	Εκατοστό	Μήκος ή μέγεθος
m/s	Μέτρα ανά δευτερόλεπτο	Ταχύτητα
L/h	Λίτρα ανά ώρα	Ρυθμός ροής
°C	Κελσίου	Θερμοκρασία
kg	Κιλό	Βάρος

ΓΕΝΙΚΕΣ ΠΡΟΕΙΔΟΠΟΙΗΣΕΙΣ ΑΣΦΑΛΕΙΑΣ

⚠️ ΠΡΟΕΙΔΟΠΟΙΗΣΗ: Για να μειώσετε τον κίνδυνο πυρκαγιάς ή ηλεκτροπληξίας:

- Γνωρίστε τον ανεμιστήρα υδρονέφωσης. Διαβάστε το εγχειρίδιο οδηγιών προσεκτικά. Ενημερωθείτε για τις εφαρμογές και τους περιορισμούς, όπως και τους συγκεκριμένους δυνητικούς κινδύνους που σχετίζονται με αυτόν τον ανεμιστήρα. Η τήρηση αυτού του κανόνα θα μειώσει τον κίνδυνο ηλεκτροπληξίας, πυρκαγιάς ή σοβαρού τραυματισμού.
- Η συσκευή αυτή δεν προορίζεται για χρήση από άτομα (μεταξύ των οποίων και παιδιά) με μειωμένες φυσικές, αισθητηριακές ή διανοητικές ικανότητες, ή έλλειψη εμπειρίας και γνώσης, εκτός εάν υπάρχει επίβλεψη ή τους έχουν δοθεί οδηγίες αναφορικά με τη χρήση της συσκευής από άτομα που είναι υπεύθυνα για την ασφάλεια τους.
- Τα παιδιά θα πρέπει να βρίσκονται υπό επίβλεψη, ώστε να διασφαλιστεί πως δε θα παίξουν με τη συσκευή.

GR

ΑΣΦΑΛΕΙΑ ΣΤΟ ΧΩΡΟ ΕΡΓΑΣΙΑΣ

- Μην χρησιμοποιείτε τον ανεμιστήρα σε περιβάλλον με εύφλεκτη ατμόσφαιρα, π.χ., όπου υπάρχουν εύφλεκτα υγρά, αέρια ή σκόνη.
- Διατηρείτε τα παιδιά και τους παρευρισκόμενους μακριά όταν χρησιμοποιείτε συσκευές. Εάν κάτι αποσπάσει την προσοχή σας, μπορεί να χάσετε τον έλεγχο.
- Να είστε προσεκτικοί κατά τη χρήση υπό συνθήκες ισχυρού ανέμου. Ο άνεμος μπορεί να μεταφέρει σταγονίδια σε ηλεκτρική καλωδίωση ή συσκευές.
- Μην εκθέτετε τη συσκευή σε βροχή ή υγρασία. Η εισχώρηση νερού στη συσκευή αυξάνει τον κίνδυνο ηλεκτροπληξίας.

ΠΡΟΣΩΠΙΚΗ ΑΣΦΑΛΕΙΑ

- Να βρίσκεστε πάντα σε εγρήγορση, να προσέχετε τι κάνετε και να εφαρμόζετε κοινή λογική όταν χρησιμοποιείτε συσκευές. Μην χρησιμοποιείτε τη συσκευή εάν είστε κουρασμένοι, αναστατωμένοι ή υπό την επήρεια ναρκωτικών, αλκοόλ ή φαρμάκων. Μια στιγμή απροσεξίας κατά τη χρήση της συσκευής μπορεί να οδηγήσει σε σοβαρό ατομικό τραυματισμό.
- Λαμβάνετε μέτρα για να μην ενεργοποιηθεί κατά λάθος η συσκευή. Βεβαιωθείτε ότι ο διακόπτης βρίσκεται στη θέση απενεργοποίησης (OFF) πριν συνδέσετε τη συσκευή στην μπαταρία, καθώς και όταν σηκώνετε ή μεταφέρετε το εργαλείο. Μην μεταφέρετε τη συσκευή έχοντας το δάκτυλο πάνω στο διακόπτη και μην την συνδέετε στην παροχή ρεύματος με ενεργοποιημένο το διακόπτη, διότι αυξάνεται ο κίνδυνος ατυχήματος.
- Προτού ενεργοποιήσετε τη συσκευή, απομακρύνετε κάθε εργαλείο ή κλειδί ρύθμισης. Εάν το εργαλείο ή το κλειδί ρύθμισης παραμείνει επάνω στο περιστρεφόμενο μέρος της συσκευής, μπορεί να προκληθεί τραυματισμός.
- Μην τεντώνετε υπερβολικά για να πραγματοποιήσετε την εργασία. Πατάτε πάντα σταθερά και διατηρείτε την ισοροπία σας. Έτσι θα ελέγχετε καλύτερα τη συσκευή σε περίπτωση απροσδόκητων καταστάσεων.
- Φοράτε κατάλληλα ρούχα. Μην φοράτε φαρδιά ρούχα ή κοσμήματα. Διατηρείτε τα μαλλιά και τα ρούχα σας μακριά από κινούμενα μέρη. Τα φαρδιά ρούχα, τα κοσμήματα ή τα μακριά μαλλιά ενδέχεται να εμπλακούν σε κινούμενα μέρη.
- Βεβαιώστε ότι όλες οι συνδέσεις είναι ασφαλείς πριν από τη χρήση της συσκευής.
- Ακόμα και όταν υπάρχει εξοικείωση λόγω τακτικής

χρήσης συσκευών, μην εφησυχάζετε και μην παραβλέπετε τις αρχές ασφαλείας της συσκευής. Μια στιγμή απροσεξίας μπορεί να οδηγήσει σε σοβαρό τραυματισμό.

ΧΡΗΣΗ ΚΑΙ ΦΡΟΝΤΙΔΑ

- Μην χρησιμοποιείτε τη συσκευή εάν δεν μπορείτε να την ενεργοποιήσετε και να την απενεργοποιήσετε από το διακόπτη. Οποιαδήποτε συσκευή δεν μπορεί να ελεγχθεί με το διακόπτη είναι επικίνδυνη και πρέπει να επισκευαστεί.
- Αποσυνδέετε τη συστοιχία μπαταριών από τη συσκευή προτού κάνετε οποιαδήποτε ρύθμιση, αλλάζετε παρελκόμενα ή την αποθηκεύσετε. Αυτά τα προληπτικά μέτρα ασφαλείας μειώνουν τον κίνδυνο τυχαίας ενεργοποίησης της συσκευής.
- Εφόσον δεν τη χρησιμοποιείτε, αποθηκεύετε τη συσκευή σε σημείο όπου δεν έχουν πρόσβαση τα παιδιά και μην επιτρέπετε σε άτομα που δεν είναι εξοικειωμένα με αυτήν ή με αυτές τις οδηγίες να τη χρησιμοποιήσουν. Οι συσκευές είναι επικίνδυνες στα χέρια ατόμων που δεν έχουν εκπαιδευτεί στη χρήση τους.
- Συντήρηση συσκευής και παρελκόμενων. Ελέγχετε για τυχόν κακή ευθυγράμμιση ή εμπλοκή των κινούμενων μερών, θραύση μερών και οποιαδήποτε άλλη κατάσταση που ενδέχεται να επηρεάσει τη λειτουργία της συσκευής. Σε περίπτωση ζημιάς, επισκευάστε τη συσκευή πριν από τη χρήση. Πολλά ατυχήματα προκαλούνται εξαιτίας πλημμελώς συντηρημένων συσκευών.
- Χρησιμοποιείτε τη συσκευή και τα παρελκόμενά της σύμφωνα με τις παρούσες οδηγίες, λαμβάνοντας υπόψη τις συνθήκες και τη φύση της εργασίας που πρόκειται να εκτελεστεί. Η χρήση της συσκευής για σκοπούς διαφορετικούς από τους προβλεπόμενους μπορεί να οδηγήσει σε επικίνδυνες καταστάσεις.
- Διατηρείτε τις λαβές και τις επιφάνειες συγκράτησης του εργαλείου στεγνές και καθαρές, χωρίς λάδια και γράσα. Εάν γλιστρούν οι λαβές και οι επιφάνειες συγκράτησης δε θα μπορείτε να χειριστείτε με ασφάλεια το εργαλείο, ούτε θα μπορείτε να το ελέγξετε σε περίπτωση που προκύψει κάποια απροσδόκητη κατάσταση.

⚠ ΠΡΟΕΙΔΟΠΟΙΗΣΗ: Για τη μείωση του κινδύνου πυρκαγιάς ή ηλεκτροπληξίας, μην χρησιμοποιείτε αυτόν τον ανεμιστήρα με οποιαδήποτε συσκευή ελέγχου ταχύτητας στερεάς κατάστασης.

ΧΡΗΣΗ ΚΑΙ ΦΡΟΝΤΙΔΑ ΗΛΕΚΤΡΙΚΩΝ ΕΡΓΑΛΕΙΩΝ ΜΠΑΤΑΡΙΑΣ

GR

- Επαναφορτίζετε το ηλεκτρικό εργαλείο μόνο με το φορτιστή που έχει καθορίσει ο κατασκευαστής. Οι φορτιστές που είναι κατάλληλοι για έναν συγκεκριμένο τύπο συστοιχίας μπαταριών μπορεί να προκαλέσουν πυρκαγιά εάν χρησιμοποιηθούν για κάποιον άλλον τύπο.
- Χρησιμοποιείτε τη συσκευή μόνο με τις συστοιχίες μπαταριών που προορίζονται ειδικά για αυτήν. Εάν χρησιμοποιηθεί οποιαδήποτε άλλη συστοιχία μπαταριών, μπορεί να προκληθεί τραυματισμός και πυρκαγιά.
- Όταν η συστοιχία μπαταριών δεν χρησιμοποιείται, φυλάσσετε την μακριά από μεταλλικά αντικείμενα, όπως, συνδετήρες, κέρματα, κλειδιά, καρφιά, βίδες ή άλλα μικρά μεταλλικά αντικείμενα, τα οποία μπορεί να δημιουργήσουν σύνδεση μεταξύ των ακροδεκτών. Το βραχυκύκλωμα των ακροδεκτών της συστοιχίας μπαταριών μεταξύ τους ενδέχεται να προκαλέσει εγκαύματα ή πυρκαγιά.
- Σε συνθήκες κακής χρήσης, μπορεί να διαρρέυσει υγρό από τη συστοιχία μπαταριών. Αποφύγετε την επαφή με αυτό. Σε περίπτωση τυχαίας επαφής, ξεπλύνετε καλά με νερό. Εάν το υγρό έρθει σε επαφή με τα μάτια, αναζητήστε επιπλέον ιατρική βοήθεια. Το υγρό που διαρρέει από τη συστοιχία μπαταριών μπορεί να προκαλέσει ερεθισμό ή εγκαύματα.
- Μη χρησιμοποιείτε τη συστοιχία μπαταριών ή τη συσκευή εάν έχουν υποστεί ζημιά ή έχουν τροποποιηθεί. Οι συστοιχίες μπαταριών που έχουν υποστεί ζημιά ή έχουν τροποποιηθεί μπορεί να έχουν απρόβλεπτη συμπεριφορά και να προκαλέσουν πυρκαγιά, έκρηξη ή τραυματισμό.
- Η συστοιχία μπαταριών και η συσκευή δεν πρέπει να εκτίθενται σε φωτιά ή υπερβολικά υψηλή θερμοκρασία. Η έκθεση σε φωτιά ή θερμοκρασία πάνω από 130°C μπορεί να προκαλέσει έκρηξη.
- Τηρείτε όλες τις οδηγίες φόρτισης και μην φορτίζετε τη συστοιχία μπαταριών ή τη συσκευή εκτός του εύρους θερμοκρασίας που καθορίζεται στις οδηγίες. Εάν η φόρτιση δε γίνει σωστά ή πραγματοποιηθεί σε θερμοκρασία εκτός του καθορισμένου εύρους, η συστοιχία μπαταριών μπορεί να υποστεί ζημιά και να αυξηθεί ο κίνδυνος πυρκαγιάς.

ΣΕΡΒΙΣ

- Το σέρβις της συσκευής σας πρέπει να γίνεται από εξειδικευμένο τεχνικό, χρησιμοποιώντας μόνο όμοια ανταλλακτικά. Με αυτόν τον τρόπο διασφαλίζεται η ασφάλεια της συσκευής.
- Μην επιχειρήσετε ποτέ να επισκευάσετε συστοιχία μπαταριών που έχει υποστεί ζημιά. Η συστοιχία μπαταριών πρέπει να επισκευάζεται μόνο από τον

κατασκευαστή ή από εξουσιοδοτημένα κέντρα σέρβις.

ΟΔΗΓΙΕΣ ΑΣΦΑΛΕΙΑΣ ΓΙΑ ΑΣΥΡΜΑΤΟ ΑΝΕΜΙΣΤΗΡΑ ΥΔΡΟΝΕΦΩΣΗΣ

- Μην επιτρέπετε τη χρήση του ανεμιστήρα ως παιχνίδι. Απαιτείται εξαιρετική προσοχή κατά τη χρήση από ή κοντά σε παιδιά.
- Τα παιδιά μπορεί να πέσουν μέσα σε δοχεία και να πνιγούν. Διατηρείτε τα παιδιά μακριά από δοχεία που περιέχουν ακόμα και ελάχιστη ποσότητα υγρού.
- Χρησιμοποιήστε ΜΟΝΟ καθαρό, κρύο νερό.
- Μην χρησιμοποιείτε αυτόν τον ανεμιστήρα υδρονέφωσης για τον ψεκασμό φυτοφαρμάκων, υγρών λιπασμάτων, χημικών ουσιών ή άλλων υγρών εκτός από καθαρό νερό. Ο ψεκασμός αυτών των ουσιών μπορεί να επιφέρει σοβαρό τραυματισμό ή ασθένεια στο χειριστή ή σε παρευρισκόμενους.
- Ποτέ μην κατευθύνετε τα σταγονίδια ή το νερό σε ηλεκτρικά καλώδια ή συσκευές.
- Βεβαιωθείτε ότι το κάλυμμα της θήκης συστοιχίας μπαταριών είναι ερμητικά κλειστό, προκειμένου να αποτραπεί η επαφή του νερού με τη συστοιχία μπαταριών ή η εισχώρηση νερού στη θύρα συστοιχίας μπαταριών.
- Διατηρείτε τη συσκευή και τη λαβή στεγνά, καθαρά και απομακρύνετε από αυτά τυχόν λάδια και γράσο. Χρησιμοποιείτε πάντα ένα καθαρό πανί κατά τον καθαρισμό. Ποτέ μη χρησιμοποιείτε υγρά φρένων, βενζίνη, προϊόντα με βάση το πετρέλαιο ή οποιαδήποτε ισχυρά διαλυτικά για τον καθαρισμό του ανεμιστήρα σας. Τηρώντας αυτό τον κανόνα μειώνεται ο κίνδυνος απώλειας ελέγχου και φθοράς του πλαστικού περιβλήματος.
- Οι συστοιχίες μπαταριών μπορεί να εκραγούν παρουσία πηγής ανάφλεξης, όπως φλόγιστρο. Προκειμένου να μειωθεί ο κίνδυνος σοβαρού τραυματισμού, μη χρησιμοποιείτε ποτέ οποιοδήποτε ασύρματο προϊόν εάν υπάρχουν ανοικτές φλόγες. Από την έκρηξη μπαταρίας μπορεί να εκσφενδονιστούν θραύσματα και χημικές ουσίες. Εάν εκτεθείτε σε αυτά, ξεπλύνετε αμέσως με νερό.
- Φυλάξτε αυτές τις οδηγίες. Ανατρέχετε σε αυτές συχνά και χρησιμοποιείτε τις για να καθοδηγήσετε άλλους που ενδέχεται να χρησιμοποιήσουν τον ανεμιστήρα. Εάν δανείσετε αυτόν τον ανεμιστήρα σε κάποιον άλλο, δανείστε και αυτές τις οδηγίες, ώστε να αποτρέψετε τη λανθασμένη χρήση του προϊόντος και ενδεχόμενο τραυματισμό.
- Λαμβάνετε υπόψη ότι τα υψηλά επίπεδα υγρασίας μπορεί να συμβάλλουν στην ανάπτυξη βιολογικών οργανισμών στο περιβάλλον.

- Μην αφήνετε την περιοχή γύρω από τον ανεμιστήρα υδρονέφωσης να υγρανθεί ή να βραχεί. Εάν εμφανιστεί υγρασία, μειώστε την ένταση του ανεμιστήρα υδρονέφωσης. Εάν η ένταση του ανεμιστήρα υδρονέφωσης δεν επιδέχεται μείωση, χρησιμοποιείτε τον υγραντήρα ανά διαστήματα. Προσέχετε να μη γεμίζουν υγρασία απορροφητικά υλικά, όπως χαλιά, κουρτίνες, παραπετάσματα ή τραπέζομάντιλα.
- Μην αφήνετε ποτέ νερό στο δοχείο όταν η συσκευή δεν χρησιμοποιείται.
- Αδειάστε και καθαρίστε τον ανεμιστήρα υδρονέφωσης πριν από την αποθήκευση. Καθαρίζετε τον υγραντήρα πριν από την επόμενη χρήση.

▲ ΠΡΟΕΙΔΟΠΟΙΗΣΗ: Οι μικροοργανισμοί που μπορεί να υπάρχουν στο νερό ή το περιβάλλον όπου χρησιμοποιείται ή αποθηκεύεται η συσκευή μπορούν να αναπτυχθούν στο δοχείο νερού και να διασκορπιστούν στον αέρα, προκαλώντας πολύ σοβαρούς κινδύνους για την υγεία, όταν το νερό δεν ανανεώνεται και το δοχείο δεν καθαρίζεται σωστά ανά 3 ημέρες.

- Αφαιρείτε τις επαναφορτιζόμενες συστοιχίες μπαταριών πριν από τη φόρτιση της συσκευής
- Οι άδειες συστοιχίες μπαταριών πρέπει να αφαιρούνται από τη συσκευή και να απορρίπτονται με ασφάλεια
- Εφόσον η συσκευή δεν πρόκειται να χρησιμοποιηθεί για μεγάλο διάστημα, αφαιρείτε τις συστοιχίες μπαταριών
- Μην βραχυκυκλώνετε τους ακροδέκτες τροφοδοσίας.

ΦΥΛΑΞΤΕ ΑΥΤΕΣ ΤΙΣ ΟΔΗΓΙΕΣ

ΤΕΧΝΙΚΕΣ ΠΡΟΔΙΑΓΡΑΦΕΣ

Τάση	56 V
Διάμετρος πτερυγίου ανεμιστήρα	45,7 cm
Ρυθμίσεις ταχύτητας ανεμιστήρα	6 (συμπεριλαμβανομένου του «Turbo»)
Μέγ. Όγκος αέρα	7000m ³ /h
Μέγ. Ταχύτητα αέρα	10,3 m/s
Όγκος νερού υδρονέφωσης	I: 4,5 L/h
	II: 11,4 L/h
Συνιστώμενη θερμοκρασία αποθήκευσης	-20°C ~ 70°C
Βάρος (χωρίς συστοιχία μπαταριών)	10,4 kg

ΚΑΤΑΛΟΓΟΣ ΕΞΑΡΤΗΜΑΤΩΝ ΣΥΣΚΕΥΑΣΙΑΣ

ΟΝΟΜΑ ΕΞΑΡΤΗΜΑΤΟΣ		ΠΟΣΟΤΗΤΑ
Ανεμιστήρας υδρονέφωσης		1
Συναρμολόγηση τροχού	Τροχός	2
	Κάλυμμα τροχού	2
	Βίδα με ροδέλα	2
Διάταξη επάνω λαβής	Επάνω λαβή	1
	Βίδα με ροδέλα	4
Μηχανικό κλειδί		1
Ανταλλακτικό ακροφύσιο		1
Εγχειρίδιο χρήσης		1

ΠΕΡΙΓΡΑΦΗ

ΓΝΩΡΙΣΤΕ ΤΟΝ ΑΝΕΜΙΣΤΗΡΑ ΥΔΡΟΝΕΦΩΣΗΣ (Εικ. A & Εικ. A1)

1. Επάνω λαβή
2. Περιβλήμα ανεμιστήρα
3. Κουμπί ασφάλισης περιβλήματος ανεμιστήρα
4. Τροχός (x2)
5. Ακροφύσιο υδρονέφωσης (x4)
6. Τηλεσκοπική λαβή
7. Θήκη συστοιχίας μπαταριών
8. Σωλήνας εισαγωγής
9. Φίλτρο
10. Διεπαφή ελέγχου
11. Κουμπί ενεργοποίησης/απενεργοποίησης
12. Ένδειξη ταχύτητας αέρα
13. Ένδειξη TURBO
14. Κουμπί TURBO
15. Κουμπί ρύθμισης ταχύτητας αέρα
16. Κουμπί επιλογής λειτουργίας υδρονέφωσης
17. Ένδειξη υδρονέφωσης

ΣΥΝΑΡΜΟΛΟΓΗΣΗ

▲ ΠΡΟΕΙΔΟΠΟΙΗΣΗ: Σε περίπτωση που κάποια από τα εξαρτήματα έχουν υποστεί ζημιά ή λείπουν, μη χρησιμοποιήσετε το προϊόν, μέχρι να αντικατασταθούν.

Η χρήση αυτού του προϊόντος με φθαρμένα ή ελλιπή εξαρτήματα μπορεί να έχει ως αποτέλεσμα σοβαρό τραυματισμό.

⚠️ ΠΡΟΕΙΔΟΠΟΙΗΣΗ: Μην επιχειρήσετε να τροποποιήσετε αυτό το προϊόν ή να δημιουργήσετε παρελκόμενα που δεν συνιστώνται για χρήση με αυτόν τον ανεμιστήρα. Κάθε παρόμοια μετατροπή ή τροποποίηση συνιστά κακή χρήση και μπορεί να δημιουργήσει επικίνδυνες καταστάσεις με επακόλουθο τον σοβαρό τραυματισμό.

⚠️ ΠΡΟΕΙΔΟΠΟΙΗΣΗ: Αφαιρείτε πάντα τη συστοιχία μπαταριών από το προϊόν, όταν συναρμολογείτε εξαρτήματα, κάνετε ρυθμίσεις, πραγματοποιείτε καθαρισμό ή όταν το προϊόν δε χρησιμοποιείται. Η απομάκρυνση της συστοιχίας μπαταριών εμποδίζει τυχαία εκκίνηση που θα μπορούσε να επιφέρει σοβαρό ατομικό τραυματισμό.

ΣΥΝΑΡΜΟΛΟΓΗΣΗ ΤΡΟΧΩΝ (Εικ. Β)

1. Ευθυγραμμίστε την οπή ενός τροχού με τον άξονα τροχού του ανεμιστήρα και προσαρτήστε τον τροχό πάνω στον άξονα.
2. Περάστε μία από τις βίδες τροχών μέσα από την οπή του τροχού μέσα στον άξονα τροχού και, στη συνέχεια, συσφίξτε τη βίδα με το παρεχόμενο κλειδί.
3. Τοποθετήστε το κάλυμμα τροχού στον τροχό.
4. Συναρμολογήστε τον άλλο τροχό σύμφωνα με τα παραπάνω βήματα 1 - 3.

ΠΡΟΣΑΡΤΗΣΗ ΕΠΑΝΩ ΛΑΒΗΣ (Εικ. C)

1. Ευθυγραμμίστε τις τέσσερις παρεχόμενες βίδες με τις οπές στην επάνω λαβή και τις οπές στο περίβλημα ανεμιστήρα.
2. Εισαγάγετε τις βίδες και, στη συνέχεια, σφίξτε τις με το παρεχόμενο κλειδί.

Βλ. παρακάτω την περιγραφή των εξαρτημάτων των Εικ. Β και Εικ. C:

B-1	Τροχός (2)	B-3	Βίδα με ροδέλα (2)
B-2	Άξονας τροχού (2)	B-4	Κάλυμμα τροχού (2)
C-1	Επάνω λαβή	C-2	Βίδα με ροδέλα (4)
C-3	Οπή βίδας		

ΛΕΙΤΟΥΡΓΙΑ

⚠️ ΠΡΟΕΙΔΟΠΟΙΗΣΗ: Η εξοικειώσή σας με αυτό το προϊόν δε θα πρέπει να σας κάνει λιγότερο προσεκτικούς. Θυμηθείτε πως ένα κλάσμα δευτερολέπτου απροσεξίας

μπορεί να προκαλέσει σοβαρό τραυματισμό.

⚠️ ΠΡΟΕΙΔΟΠΟΙΗΣΗ: Μη χρησιμοποιείτε παρελκόμενα που δεν συνιστώνται από τον κατασκευαστή αυτού του προϊόντος. Η χρήση προσαρτημάτων ή παρελκομένων που δε συνιστώνται από τον κατασκευαστή, ενέχει τον κίνδυνο σοβαρού τραυματισμού.

Πριν από κάθε χρήση, ελέγχετε πλήρως το προϊόν για φθαρμένα, ελλιπή ή χαλαρά εξαρτήματα, όπως, βίδες, παξιμάδια, μπουλόνια, πώματα, κτλ. Συσφίξτε με ασφάλεια όλους τους σφιγκτήρες και τα πώματα και μη θέσετε σε λειτουργία το προϊόν προτού να αποκατασταθούν όλα τα ελλιπή ή φθαρμένα εξαρτήματα.

⚠️ ΠΡΟΕΙΔΟΠΟΙΗΣΗ: Αφαιρείτε πάντα τη συστοιχία μπαταριών από το προϊόν, όταν συναρμολογείτε μέρη, πραγματοποιείτε ρυθμίσεις, διενεργείτε καθαρισμό ή όταν δεν το χρησιμοποιείτε. Η απομάκρυνση της συστοιχίας μπαταριών εμποδίζει τυχαία εκκίνηση που θα μπορούσε να επιφέρει σοβαρό ατομικό τραυματισμό.

ΕΦΑΡΜΟΓΕΣ

Μπορείτε να χρησιμοποιήσετε αυτό το προϊόν για τους ακόλουθους σκοπούς:

- Γενικός αερισμός στις περισσότερες οικιακές εφαρμογές
- Εξωτερική ψύξη εφόσον συνδεθεί με πηγή νερού

ΡΥΘΜΙΣΗ ΓΩΝΙΑΣ ΤΟΥ ΑΝΕΜΙΣΤΗΡΑ (Εικ. D)

1. Πιάστε την επάνω λαβή για να κρατήσετε το περίβλημα ανεμιστήρα.
2. Περιστρέψτε το κουμπί ασφαλίσης του περιβλήματος ανεμιστήρα ΑΡΙΣΤΕΡΟΣΤΡΟΦΑ για να χαλαρώσετε το ρυθμιζόμενο περίβλημα ανεμιστήρα.
3. Κλίνετε το ρυθμιζόμενο περίβλημα ανεμιστήρα προς τα εμπρός ή προς τα πίσω στην επιθυμητή γωνία. Ο ανεμιστήρας μπορεί να περιστραφεί έως και 90° προς τα εμπρός και έως 135° προς τα πίσω.
4. Περιστρέψτε το κουμπί ασφαλίσης ΔΕΞΙΟΣΤΡΟΦΑ για να ασφαλίσετε το περίβλημα ανεμιστήρα στην επιθυμητή γωνία.

ΤΟΠΟΘΕΤΗΣΗ/ΑΦΑΙΡΕΣΗ ΤΗΣ ΣΥΣΤΟΙΧΙΑΣ ΜΠΑΤΑΡΙΩΝ (Εικ. E)

Χρησιμοποιείτε μόνο τις συστοιχίες μπαταριών και τους φορτιστές της EGO που αναφέρονται στην Εικ. A2.

Φορτίστε πλήρως πριν από την πρώτη χρήση.

Προσάρτηση

1. Τραβήξτε το κάλυμμα της θήκης συστοιχίας μπαταριών για να την ανοίξετε.

- Ευθυγραμμίστε τις νευρώσεις μπαταρίας με τις οπές τοποθέτησης και πιέστε τη συστοιχία μπαταριών, έως ότου ακούσετε ένα «κλικ».

Αφαίρεση

- Πιέστε το κουμπί αποδέσμευσης της συστοιχίας μπαταριών και βγάλτε τη συστοιχία.
- Πιέστε το κάλυμμα της θήκης συστοιχίας μπαταριών για να την κλείσετε. Βεβαιωθείτε ότι είναι ερμητικά κλειστό, προκειμένου να αποτραπεί η επαφή του νερού με τη συστοιχία μπαταριών ή η εισχώρηση νερού στη θύρα συστοιχίας μπαταριών.

Βλ. παρακάτω την περιγραφή των εξαρτημάτων της Εικ. Ε

E-1	Κουμπί αποδέσμευσης συστοιχίας μπαταριών
E-2	Κάλυμμα της θήκης συστοιχίας μπαταριών

ΕΝΕΡΓΟΠΟΙΗΣΗ/ΑΠΕΝΕΡΓΟΠΟΙΗΣΗ ΤΟΥ ΑΝΕΜΙΣΤΗΡΑ ΥΔΡΟΝΕΦΩΣΗΣ

ΕΙΔΟΠΟΙΗΣΗ: Η αρχική εργοστασιακή ρύθμιση για την ταχύτητα αέρα είναι το επίπεδο 3. Ο ανεμιστήρας θα αποθηκεύσει την τελευταία χρησιμοποιούμενη ρύθμιση ταχύτητας αέρα και θα επανέλθει σε αυτήν κατά την επανεκκίνηση.

ΣΗΜΑΝΤΙΚΟ: Η ρύθμιση Turbo δεν αποθηκεύεται.

ΕΙΔΟΠΟΙΗΣΗ: Η ρύθμιση υδρονέφωσης δεν αποθηκεύεται, ενώ θα είναι απενεργοποιημένη από προεπιλογή κάθε φορά που ενεργοποιείται ο ανεμιστήρας.

ΚΟΥΜΠΙ ΕΝΕΡΓΟΠΟΙΗΣΗΣ/ΑΠΕΝΕΡΓΟΠΟΙΗΣΗΣ

- Πατήστε στιγμιαία το κουμπί ενεργοποίησης/ απενεργοποίησης για να ενεργοποιήσετε τον ανεμιστήρα.
- Πατήστε ξανά στιγμιαία το κουμπί ενεργοποίησης/ απενεργοποίησης για να απενεργοποιήσετε τον ανεμιστήρα.

ΡΥΘΜΙΣΗ ΤΑΧΥΤΗΤΑΣ ΑΕΡΑ

Κανονική ταχύτητα αέρα

- Πατήστε το κουμπί «+» για να αυξήσετε την ταχύτητα αέρα και το κουμπί «-» για να την μειώσετε. Υπάρχουν 5 επίπεδα ταχύτητας.
- Η ένδειξη ταχύτητας αέρα προβάλει πράσινες λυχνίες που αντιστοιχούν στο τρέχον επίπεδο ταχύτητας.

Λειτουργία TURBO

- Πατήστε το κουμπί «TURBO». Η ένδειξη TURBO θα ανάψει με πράσινο χρώμα και ο ανεμιστήρας θα μεταβεί στη λειτουργία «TURBO», δηλαδή στη μέγιστη ταχύτητα αέρα.
- Όταν βρίσκεστε στη λειτουργία «TURBO», πατήστε ξανά το κουμπί «TURBO». Η ένδειξη TURBO θα σβήσει και ο ανεμιστήρας θα επιστρέψει στην αμέσως προηγούμενη ταχύτητα αέρα.
- Όταν βρίσκεστε στη λειτουργία «TURBO», πατήστε το κουμπί «-». Η ένδειξη TURBO θα σβήσει και ο ανεμιστήρας θα μεταβεί στο επίπεδο ταχύτητας αέρα 5.

ΛΕΙΤΟΥΡΓΙΑ ΥΔΡΟΝΕΦΩΣΗΣ

ΧΡΗΣΗ ΤΟΥ ΑΝΕΜΙΣΤΗΡΑ ΜΕ ΔΟΧΕΙΟ ΝΕΡΟΥ (ΔΕΝ ΠΕΡΙΛΑΜΒΑΝΕΤΑΙ) (Εικ. F)

⚠ ΠΡΟΕΙΔΟΠΟΙΗΣΗ: Τα παιδιά μπορεί να πέσουν μέσα σε δοχεία και να πνιγούν. Διατηρείτε τα παιδιά μακριά από δοχεία που περιέχουν ακόμα και μια ελάχιστη ποσότητα υγρού.

ΕΙΔΟΠΟΙΗΣΗ: Καθαρίζετε το δοχείο με σαπούνι και νερό πριν από κάθε χρήση.

1. Αποσυνδέτε τη συστοιχία μπαταριών.
2. Τοποθετήστε το δοχείο σε μια επίπεδη, οριζόντια επιφάνεια.
3. Προσθέτετε ΜΟΝΟ καθαρό, κρύο νερό στο δοχείο. Μην το παραγεμίζετε.
4. Βυθίστε το άκρο του σωλήνα εισαγωγής με το φίλτρο μέσα στο δοχείο νερού.

ΕΙΔΟΠΟΙΗΣΗ: Μην λυγίζετε το σωλήνα εισαγωγής και βεβαιώνετε πάντα ότι το νερό ρέει ομαλά μέσα από το σωλήνα.

5. Τοποθετήστε τη συστοιχία μπαταριών και κλείστε το κάλυμμα της θήκης συστοιχίας μπαταριών.
6. Πατήστε το κουμπί ενεργοποίησης/απενεργοποίησης για να ενεργοποιήσετε τον ανεμιστήρα.
7. Πατήστε το κουμπί επιλογής λειτουργίας υδρονέφωσης για να ξεκινήσει η υδρονέφωση:
 - Πατήστε το κουμπί επιλογής λειτουργίας υδρονέφωσης μία φορά. Στην ένδειξη υδρονέφωσης θα ανάψουν δύο πράσινες λυχνίες που υποδεικνύουν τη λειτουργία «συνεχούς» υδρονέφωσης, δηλαδή της παρατεταμένης υδρονέφωσης χωρίς διακοπή.

ΕΙΔΟΠΟΙΗΣΗ: Μπορεί να περάσουν περίπου 15 δευτερόλεπτα ώσπου να δείτε σταγονίδια να βγαίνουν από τα ακροφύσια υδρονέφωσης για πρώτη φορά. Αυτή η καθυστέρηση οφείλεται στο χρόνο που απαιτεί η ροή του νερού από το δοχείο νερού έως τα ακροφύσια.

- Πατήστε ξανά το κουμπί επιλογής λειτουργίας υδρονέφωσης μία. Στην ένδειξη υδρονέφωσης θα ανάψουν μία πράσινη λυχνία που υποδεικνύει τη λειτουργία «διακεκομμένη» υδρονέφωσης, δηλαδή της υδρονέφωσης για 5 δευτερόλεπτα ανά 10 δευτερόλεπτα.
- Όταν η υδρονέφωση βρίσκεται σε διακεκομμένη λειτουργία, πατήστε ξανά το κουμπί επιλογής λειτουργίας υδρονέφωσης. Οι ενδεικτικές λυχνίες υδρονέφωσης θα σβήσουν και η υδρονέφωση θα σταματήσει.

ΕΙΔΟΠΟΙΗΣΗ: Αφού ολοκληρωθεί η λειτουργία υδρονέφωσης, τραβήξτε το σωλήνα εισαγωγής έξω από το νερό και λειτουργήστε τον ανεμιστήρα σε λειτουργία υδρονέφωσης ώσπου να φύγει όλο το νερό από το σωλήνα. Αυτό συμβάλλει στην αποφυγή απροσδόκητης υδρονέφωσης, λόγω των υπολειμμάτων νερού στο σωλήνα, κατά την επόμενη επανεκκίνηση του ανεμιστήρα.

ΧΡΗΣΗ ΤΟΥ ΑΝΕΜΙΣΤΗΡΑ ΧΩΡΙΣ ΥΔΡΟΝΕΦΩΣΗ

Εφόσον το επιθυμείτε, το προϊόν αυτό μπορεί να χρησιμοποιηθεί μόνο ως ανεμιστήρας, εφόσον δεν συνδεθεί με πηγή νερού. Όταν δεν χρησιμοποιείτε το σωλήνα εισαγωγής, τοποθετείτε τον πάντα στο χώρο αποθήκευσής του (βλ. ενότητα «ΑΠΟΘΗΚΕΥΣΗ» στο παρόν εγχειρίδιο) για να τον προστατεύσετε από ζημιά και επιμόλυση.

ΕΣΩΤΕΡΙΚΗ ΠΡΟΣΤΑΣΙΑ

Όταν η λειτουργία υδρονέφωσης είναι ενεργοποιημένη, ωστόσο δεν βγαίνουν σταγονίδια νερού:

- Η αντλία νερού θα συνεχίσει να λειτουργεί για λίγη ώρα και, στη συνέχεια, θα απενεργοποιηθεί αυτόματα, για την προστασία των εσωτερικών ηλεκτρονικών συστημάτων.
- Ανάλογα με τη λειτουργία υδρονέφωσης, η ένδειξη υδρονέφωσης θα ανάψει σταθερά μία ή δύο πράσινες λυχνίες για λίγο και, στη συνέχεια, θα αναβοσβήνει συνεχώς μία πράσινη λυχνία (ή περισσότερες λυχνίες) ως προειδοποίηση για τον χειριστή, προκειμένου:
 - a. Να ελέγξει εάν ο σωλήνας εισαγωγής είναι σωστά βυθισμένος στο νερό.
 - b. Να ελέγξει εάν το ακροφύσιο / τα ακροφύσια υδρονέφωσης έχει/έχουν φράξει και να καθαρίσει σύμφωνα με το κεφάλαιο «ΣΥΝΤΗΡΗΣΗ ΑΚΡΟΦΥΣΙΩΝ».
 - c. Να πατήσει το κουμπί επιλογής λειτουργίας υδρονέφωσης, ώστε να ξεκινήσει εκ νέου την υδρονέφωση.

ΣΥΝΤΗΡΗΣΗ

▲ ΠΡΟΕΙΔΟΠΟΙΗΣΗ: Κατά τη συντήρηση του εργαλείου, χρησιμοποιείτε μόνο όμοια ανταλλακτικά. Η χρήση οποιωνδήποτε άλλων εξαρτημάτων μπορεί να προκαλέσει κίνδυνο ή υλικές ζημιές. Για να διασφαλιστεί η ασφάλεια και η αξιοπιστία, όλες οι επισκευές πρέπει να διεξάγονται από εξειδικευμένο τεχνικό σέρβις.

▲ ΠΡΟΕΙΔΟΠΟΙΗΣΗ: Για την αποφυγή σοβαρού τραυματισμού, αφαιρείτε πάντοτε τη συστοίχια μπαταριών από το προϊόν πριν από τον καθαρισμό του ή πριν από οποιαδήποτε συντήρηση.

ΓΕΝΙΚΗ ΣΥΝΤΗΡΗΣΗ

Αποφεύγετε τη χρήση διαλυτών κατά τον καθαρισμό των πλαστικών εξαρτημάτων. Τα περισσότερα πλαστικά είναι ευπαθή στη χρήση διαφόρων τύπων διαλυτών του εμπορίου και καταστρέφονται από τη χρήση τους. Χρησιμοποιείτε καθαρό πανί για την απομάκρυνση βρωμιάς, σκόνης, λαδιού, γράσου, κτλ.

▲ ΠΡΟΕΙΔΟΠΟΙΗΣΗ: Μην επιτρέψετε ποτέ να έρθουν σε επαφή τα πλαστικά εξαρτήματα με υγρά φρένων, βενζίνη, πετρελαϊκά προϊόντα, διεστυκτά λάδια, κτλ. Τα χημικά μπορούν να φθείρουν, να αποδυναμώσουν ή να καταστρέψουν τα πλαστικά εξαρτήματα με κίνδυνο σοβαρού τραυματισμού.

ΣΥΝΤΗΡΗΣΗ ΑΚΡΟΦΥΣΙΩΝ (Εικ. G)

▲ ΠΡΟΕΙΔΟΠΟΙΗΣΗ: Βεβαιώστε ότι όλη η συντήρηση των ακροφυσίων υδρονέφωσης γίνεται σωστά για να αποφευχθούν διαρροές νερού. Οι διαρροές μπορεί να δημιουργήσουν ολισθηρή επιφάνεια που ενέχει τον κίνδυνο ολίσθησης και πτώσης ή υλικών ζημιών.

Για να καθαρίσετε τα ακροφύσια

1. Απενεργοποιείτε τον ανεμιστήρα και αφαιρείτε τη συστοίχια μπαταριών.
2. Αφαιρείτε τα φραγμένα ορειχάλκινα ακροφύσια υδρονέφωσης περιστρέφοντάς τα ΑΡΙΣΤΕΡΟΣΤΡΟΦΑ.
3. Αποσυναρμολογείτε κάθε σχετικό ακροφύσιο σε μέρη.
4. Για να απομακρύνετε τυχόν ξένα σωματίδια που φράζουν ή περιορίζουν τα ακροφύσια, ξεπλένετε τα μέρη των ακροφυσίων με νερό. Για να απομακρύνετε τη συσσωρευση αλάτων (ορυκτών), καθαρίζετε τα μέρη του ακροφυσίου με λευκό ξύδι ή άλλο μέσο αφαίρεσης αλάτων, ανάλογα με τις ανάγκες.
5. Συναρμολογείτε εκ νέου τα ακροφύσια.

ΕΙΔΟΠΟΙΗΣΗ: Για την αποφυγή απόφραξης, βεβαιωθείτε

ότι το ακροφύσιο έχει συναρμολογηθεί ακριβώς όπως φαίνεται στην Εικ. G.

6. Προσαρτήστε εκ νέου τα καθαρά ακροφύσια.

ΣΥΝΤΗΡΗΣΗ ΦΙΛΤΡΟΥ (Εικ. Η)

Ελέγχετε περιοδικά το φίλτρο στο άκρο του σωλήνα εισαγωγής για να βεβαιωθείτε ότι βρίσκεται σε καλή κατάσταση.

1. Βγάλτε το φίλτρο από το σωλήνα εισαγωγής.
2. Ξεβιδώστε το φίλτρο σε μέρη και βγάλτε το πλέγμα αφρώδους υλικού.
3. Ξεπλύνετε το πλέγμα αφρώδους υλικού ή αντικαταστήστε το εάν είναι απαραίτητο.
4. Επανασυναρμολογήστε το φίλτρο και συνδέστε το ξανά στο σωλήνα εισαγωγής.

Βλ. παρακάτω την περιγραφή των εξαρτημάτων της Εικ. Η

H-1	Φίλτρο	H-3	Πλέγμα αφρώδους υλικού
H-2	Επάνω μέρος	H-4	Κάτω μέρος

ΣΥΝΤΗΡΗΣΗ ΠΕΡΙΒΛΗΜΑΤΟΣ ΑΝΕΜΙΣΤΗΡΑ (Εικ. Ι1 & Εικ. Ι2)

⚠️ ΠΡΟΕΙΔΟΠΟΙΗΣΗ: Βεβαιωθείτε ότι οι συστοιχίες μπαταριών έχουν αφαιρεθεί από το προϊόν προτού αφαιρέσετε το προστατευτικό.

1. Ξεβιδώστε και αφαιρέστε τις έξι βίδες για να αναστηλώσετε ΕΝ ΜΕΡΕΙ το μπροστινό πλέγμα προστασίας από το περίβλημα ανεμιστήρα.

⚠️ ΠΡΟΣΟΧΗ: Για να αποφύγετε ζημιές, μην αφαιρέσετε εντελώς το μπροστινό πλέγμα προστασίας χωρίς να αποσυνδέσετε ΠΡΩΤΑ το σωλήνα εισαγωγής.

2. Πιέστε το μαύρο καουτσούκ στο άκρο του παξιμαδιού για να τραβήξετε το σωλήνα εισαγωγής προς τα έξω.
3. Αφαιρέστε εντελώς το μπροστινό πλέγμα προστασίας.
4. Περιστρέψτε το κάλυμμα ασφάλισης περυγίου ανεμιστήρα δεξιόστροφα για να αποδεσμεύσετε το περύγιο ανεμιστήρα από τον άξονα.
5. Αφαιρέστε το περύγιο ανεμιστήρα.
6. Καθαρίστε το περύγιο ανεμιστήρα και το εσωτερικό του περιβλήματος, ανάλογα με τις ανάγκες.
7. Συναρμολογήστε με την αντίστροφη σειρά και βεβαιωθείτε ότι:

- Ο σωλήνας εισαγωγής είναι σωστά συνδεδεμένος στο παξιμάδι.

- Ο σωλήνας εισαγωγής τοποθετείται σωστά στην υποδοχή του πλέγματος προστασίας.

Βλ. παρακάτω την περιγραφή των εξαρτημάτων των Εικ. Ι1 και Ι2

I1-1	Μπροστινό πλέγμα προστασίας	I1-4	Μαύρο καουτσούκ
I1-2	Βίδα (6)	I1-5	Σωλήνας εισαγωγής
I1-3	Παξιμάδι	I2-1	Κάλυμμα ασφάλισης
I2-2	Λεπίδα ανεμιστήρα		

ΜΕΤΑΦΟΡΑ

- Ο ανεμιστήρας είναι εξοπλισμένος με μια επάνω λαβή για τη μεταφορά του ανεμιστήρα για ταξίδια μικρών αποστάσεων ή τη διάσχιση ανώμαλης επιφάνειας/εδάφους.
- Για τη μεταφορά σε μεγάλες αποστάσεις, χρησιμοποιείτε την τηλεσκοπική λαβή για να κυλήσετε τον ανεμιστήρα. Χρησιμοποιείτε την επάνω λαβή για να κλίνετε τον ανεμιστήρα και, στη συνέχεια, τραβήξτε προς τα έξω την τηλεσκοπική λαβή ώσπου να ακούσετε ένα «κλικ». Εφόσον η τηλεσκοπική λαβή δεν χρησιμοποιείται, στρώστε την μέσα στο εργαλείο (Εικ. J).

ΑΠΟΘΗΚΕΥΣΗ

1. Αφαιρέστε τη συστοιχία μπαταριών.
2. Καθαρίστε διεξοδικά τον ανεμιστήρα.
3. Αδειάστε το σωλήνα εισαγωγής και το φίλτρο.
4. Τοποθετήστε το σωλήνα εισαγωγής σε μία από τις δύο θέσεις αποθήκευσης που βρίσκονται στο πίσω μέρος του ανεμιστήρα (Εικ. K1 & Εικ. K2).
5. Αποθηκεύετε τον ανεμιστήρα σε στεγνό, καλά αεριζόμενο χώρο, μακριά από παιδιά. Μην αποθηκεύετε τον ανεμιστήρα επάνω ή δίπλα σε λιπάσματα, βενζίνη ή άλλες χημικές ουσίες.

ΠΡΟΣΤΑΣΙΑ ΤΟΥ ΠΕΡΙΒΑΛΛΟΝΤΟΣ



Μην απορρίπτετε ηλεκτρικό εξοπλισμό, παλιές μπαταρίες και φορτιστές στα οικιακά απορρίμματα! Μεταφέρετε αυτό το προϊόν σε εξουσιοδοτημένο κέντρο ανακύκλωσης και παραδώστε το για ξεχωριστή συλλογή. Τα ηλεκτρικά εργαλεία πρέπει να επιστρέφονται σε περιβαλλοντικά συμβατή μονάδα ανακύκλωσης.

GR

ΑΝΤΙΜΕΤΩΠΙΣΗ ΠΡΟΒΛΗΜΑΤΩΝ

ΠΡΟΒΛΗΜΑ	ΑΙΤΙΑ	ΑΝΤΙΜΕΤΩΠΙΣΗ
Το εργαλείο δεν λειτουργεί.	<ul style="list-style-type: none"> ■ Χαμηλή φόρτιση της συστοιχίας μπαταριών. ■ Η συστοιχία μπαταριών ή ο ανεμιστήρας είναι υπερβολικά ζεστά. 	<ul style="list-style-type: none"> ■ Φορτίστε τη συστοιχία μπαταριών. ■ Απενεργοποιήστε τον ανεμιστήρα και αφήστε τον ανεμιστήρα και τη συστοιχία μπαταριών να κρυσώσουν.
Δεν υπάρχει υδρονέφωση, ενώ η ένδειξη υδρονέφωσης έχει αναμμένες δύο πράσινες λυχνίες που αναβοσβήνουν.	<ul style="list-style-type: none"> ■ Ο σωλήνας εισαγωγής δεν αναρροφά νερό, ενεργοποιώντας την εσωτερική προστασία της αντλίας νερού στο εσωτερικό του εργαλείου. ■ Το ακροφύσιο / τα ακροφύσια υδρονέφωσης έχει/έχουν φράξει κατά τη διάρκεια της λειτουργίας, ενεργοποιώντας την εσωτερική προστασία της αντλίας νερού. 	<ul style="list-style-type: none"> ■ Ελέγξτε και βεβαιωθείτε ότι υπάρχει αρκετό νερό στο δοχείο και ότι ο σωλήνας εισαγωγής είναι σωστά βυθισμένος στο νερό. ■ Καθαρίστε το ακροφύσιο (ή τα ακροφύσια) σύμφωνα με το κεφάλαιο «ΣΥΝΤΗΡΗΣΗ ΑΚΡΟΦΥΣΙΩΝ» και συναρμολογήστε σύμφωνα με τις οδηγίες.
Μετά τη συντήρηση του περιβλήματος ανεμιστήρα υπάρχει διαρροή νερού.	<ul style="list-style-type: none"> ■ Το παζιμάδι που συνδέεται με το σωλήνα εισαγωγής χαλάρωσε απροσδόκητα. 	<ul style="list-style-type: none"> ■ Ανοίξτε το περίβλημα ανεμιστήρα σύμφωνα με το κεφάλαιο «ΣΥΝΤΗΡΗΣΗ ΠΕΡΙΒΛΗΜΑΤΟΣ ΑΝΕΜΙΣΤΗΡΑ». Ελέγξτε και βεβαιωθείτε ότι το παζιμάδι είναι πλήρως συσφιγμένο.

ΕΓΓΥΗΣΗ

ΠΟΛΙΤΙΚΗ ΕΓΓΥΗΣΗΣ EGO

Επισκεφθείτε την ιστοσελίδα egopowerplus.com για όλους τους όρους και τις προϋποθέσεις της πολιτικής εγγύησης EGO.

GR

TÜM TALİMATLARI OKUYUN!



KULLANIM KILAVUZUNU OKUYUN

⚠ UYARI: Emniyet ve güvenlik için tüm onarım ve değiştirme işlemleri yetkili bir servis teknisyeni tarafından gerçekleştirilmelidir.

GÜVENLİK SEMBOLLERİ

Güvenlik sembollerinin amacı olası tehlikelere dikkatinizi çekmektir. Güvenlik sembolleri ve yanlarındaki açıklamalar özel dikkat ve anlayış göstermenizi gerektirir. Uyarı sembolleri kendi başlarına herhangi bir tehlikeyi gidermez. Sembollerde belirtilen talimatlar ve uyarılar uygun kaza önleme tedbirlerinin yerine geçmez.

⚠ UYARI: Bu aleti kullanmadan önce **"TEHLİKE"**, **"UYARI"** ve **"DİKKAT"** gibi tüm güvenlik uyarı ve sembollerini içeren bu Kullanım Kılavuzu içerisindeki tüm güvenlik talimatlarını okuyup anladığınızdan emin olun. Aşağıdaki talimatların tamamına uyulmaması elektrik çarpması, yangın ve/veya ciddi yaralanma ile sonuçlanabilir.

	Güvenlik Uyarısı	Güvenliğinizle ilgili önlemler
	Kullanım Kılavuzunu Okuyun ve Anlayın	Yaralanma riskini azaltmak için kullanıcı bu ürünü kullanmadan önce kullanım kılavuzunu okuyup anlamalıdır.
	Yağmur Durumu	Yağmura maruz bırakmayın
	CE	Bu ürün, yürürlükteki AB yönetmeliklerine uygundur.
	UKCA	Bu ürün, yürürlükteki Birleşik Krallık yasalarına uygundur.
	WEEE	Atık elektrikli ürünler, evsel atıklar ile birlikte bertaraf edilmemelidir. Yetkili bir geri dönüşüm merkezine teslim edilmelidir.

IPX4	Hava Girişi Koruma Derecesi	Sıçrayan suya karşı koruma
	Doğru Akım	Akımın türü veya özelliği
V	Volt	Voltaj
cm	Santimetre	Uzunluk veya boyut
m/sn.	Metre/Saniye	Hız
L/sa.	Litre/Saat	Akış Hızı
°C	Santigrat	Sıcaklık
kg	Kilogram	Ağırlık

GENEL GÜVENLİK UYARILARI

⚠ UYARI: Yangın tehlikesini, elektrik çarpmasını veya yaralanmayı önlemek için:

- **Buharlı vantilatörünüzü tanıyın. Kullanma kılavuzunu dikkatle okuyun. Vantilatörün uygulamalarını ve sınırlamalarını ve ayrıca bu vantilatörle ilgili belirli potansiyel tehlikeleri öğrenin.** Bu kurallara uyulması elektrik çarpması, yangın veya ciddi yaralanma riskini azaltır.
- Bu cihaz, gözetim altında olmadıkları veya güvenliklerinden sorumlu bir kişi tarafından cihazın kullanımı ile ilgili talimat almadıkları sürece zihinsel yetenekleri zayıf, fiziksel duyu kaybı veya tecrübe ve bilgi yetersizliği olan kişiler tarafından (çocuklar dahil) kullanılmak üzere tasarlanmamıştır.
- Çocukların cihazla oynamalarını sağlamak için gözetim altında tutulmaları gerekir.

ÇALIŞMA ALANI GÜVENLİĞİ

- **Vantilatörü yanıcı sıvılar, gazlar veya toz vb. içeren patlayıcı ortamlarda çalıştırmayın.**
- **Bir cihazı kullanırken çocukların ve etraftaki kişilerin cihazdan uzakta olduğundan emin olun.** Dikkatinizin dağılması kontrolü kaybetmenize neden olabilir.
- **Rüzgarlı koşullarda kullanırken dikkatli olun.** Rüzgarlar, buharları elektrik kablolarına veya cihazlara taşıyabilir.
- **Cihazı yağmura veya ıslak koşullara maruz bırakmayın.** Cihaz içine giren su, elektrik çarpması riskini artırır.

KİŞİSEL GÜVENLİK

TR

- **Cihazı kullanırken daima dikkatli olun, yaptığınız işe yoğunlaşın ve sağlıklı davranın. Yorgunken, moraliniz bozukken, uyuşturucu, alkol veya ilaçlı tedavi etkisi altındayken cihazı kullanmayın.**
Cihazı kullanırken bir anlık dikkatsizlik ciddi kişisel yaralanmayla sonuçlanabilir.
- **Yanlışlıkla çalıştırmaktan kaçının. Cihazın bataryasını takmadan, cihazı kaldırmadan veya taşımadan önce açma/kapatma düğmesinin kapalı olduğundan emin olun.** Cihazı, parmağınız açma/kapatma düğmesinin üzerindeki taşıma veya cihaz açırken fişi prize takmak kazalara davetiye çıkarır.
- **Cihazı takılı herhangi bir alyan veya anahtar varsa cihazı çalıştırmadan önce bunları çıkarın.** Cihazın döner parçalarına takılı bir alyan veya anahtar yaralanmalara neden olabilir.
- **Dengesiz bir duruşla çalışma yapmayın. Çalışma süresince ayaklarınızı sağlam basın ve dengeyi koruyun.** Bu sayede beklenmedik durumlarda cihaz daha iyi kontrol edilebilir.
- **Uygun bir şekilde giyinin. Bol giysiler giymeyin veya takı takmayın. Saçlarınızı ve elbiselerinizi hareketli parçalardan uzak tutun.** Bol giysiler, takılar veya uzun saçlar hareketli parçalara takılabilir.
- **Cihazı çalıştırmadan önce tüm bağlantıların güvenli olduğundan emin olun.**
- **Cihazları sık kullanarak edindiğiniz alışkanlık rahat olmanıza ve cihazın güvenlik ilkelerini göz ardı etmenize neden olmamalıdır.** Dikkatsiz bir hareket, bir saniyeden daha kısa bir sürede ağır yaralanmalara neden olabilir.

KULLANIM VE BAKIM

- **Açma/kapatma düğmesi çalışmıyorsa cihazı kullanmayın.** Açma/kapama düğmesi ile kontrol edilemeyen bir cihaz tehlikelidir ve onarılması gerekir.
- **Herhangi bir ayarlama işlemi, aksesuar değişimi veya depolama öncesinde bataryayı cihazdan çıkarın.** Bu tür önleyici güvenlik önlemleri, aletin yanlışlıkla çalıştırılması riskini azaltır.
- **Kullanılmayan cihazı çocukların erişmeyeceği bir yerde saklayın ve cihaz veya bu talimatlar hakkında bilgi sahibi olmayan kişilerin cihazı çalıştırmasına izin vermeyin.** Cihazlar eğitimci kullanıcıların elinde tehlikelidir.
- **Cihaz ve aksesuarların bakımını yapın.** Hareketli parçaların hizalanmasının veya bağlanmasının doğru yapıp yapılmadığını, parçalarda hasar olup olmadığını ve cihazın çalışmasını etkileyebilecek tüm diğer koşulları kontrol edin. Hasarıysa,

kullanmadan önce cihazı tamir ettirin. Kazaların çoğu, cihaz bakımının yeterli şekilde yapılmamasından kaynaklanır.

- **Cihazı ve aksesuarları bu talimatlara uygun olarak, çalışma koşullarını ve yapılacak işi gözetecek kullanın.** Cihazın kullanım amacı dışındaki işlerde kullanılması tehlikeli durumlara neden olabilir.
- **Tutma kollarını ve kavrama yüzeylerini kuru, temiz, benzin ve yağdan uzak tutun.** Kaygan tutma kolları ve kavrama yüzeyleri, aletin beklenmeyen durumlarda güvenli bir şekilde tutulmasına ve kontrol edilmesine izin vermez.

⚠ UYARI: Yangın veya elektrik çarpması riskini azaltmak için bu vantilatörü herhangi bir katı hal hız kontrol cihazı ile kullanmayın.

BATARYA İLE ÇALIŞAN ALETLERİNİN KULLANIMI VE BAKIMI

- **Sadece üretici tarafından belirtilen şarj cihazı ile şarj edin.** Bir batarya türü için uygun olan şarj cihazı, başka bir batarya ile kullanıldığında yangın riski oluşturabilir.
- **Bu cihazı sadece özel olarak tasarlanan bataryalarla birlikte kullanın.** Başka batarya türlerinin kullanımını yaralanma ve yangın tehlikesi oluşturabilir.
- **Bataryanın kullanımda olmadığı durumlarda bataryayı atış, bozuk para, anahtar, çivi, vida veya batarya kutupları arasında kısa devre yapabilecek diğer metal nesnelere uzak tutun.** Batarya kutuplarının kısa devre yapılması yangın veya yanıklara neden olabilir.
- **Kötü şartlar altında bataryadan sıvı akışı olabilir; bu sıvı ile temas etmekten kaçının. Yanlışlıkla temas edilirse etkilenen bölgeyi su ile yıkayın.** Sıvı göze temas ederse ayrıca tıbbi yardım alın. Bataryadan akan sıvı tahriş veya yanıklara neden olabilir.
- **Hasarlı veya üzerinde değişiklik yapılmış bir bataryayı veya aleti kullanmayın.** Hasarlı veya üzerinde değişiklik yapılmış bataryalar yangın, patlama veya yaralanma riskine neden olacak şekilde beklenmeyen davranışlar gösterebilir.
- **Bataryayı veya aleti ateşe veya aşırı sıcaklıklara maruz bırakmayın.** Ateşe veya 130°C'nin üzerindeki sıcaklıklara maruz kalması patlamaya neden olabilir.
- **Tüm şarj talimatlarına uyun ve batarya veya aleti talimatlarda belirtilen sıcaklık aralığının dışındaki sıcaklıklarda şarj etmeyin.** Hatalı veya belirtilen sıcaklık aralığının dışındaki sıcaklıklarda şarj etmek, bataryaya zarar verebilir ve yangın riskini artırır.

SERVİS

- **Cihazınızın servisini sadece orijinal yedek parçaları kullanan yetkili bir mercie yapdırın.** Böylece cihazın güvenliğini koruması sağlanır.
- **Asla hasarlı bataryalara bakım-onarım yapmayın.** Bataryaların bakımı sadece üretici veya yetkili servisler tarafından yapılmalıdır.

KABLOSUZ BUHARLI VANTİLATÖR İÇİN GÜVENLİK TALİMATLARI

- **Vantilatörün oyuncak olarak kullanılmasına izin vermeyin.** Bu cihaz çocuklar tarafından veya çocukların yakınında kullanılırken dikkatli olun.
- **Çocuklar kovaların içine düşebilir ve boğulabilir.** Çocukları, içerdiği sıvı miktarı az olsa bile kovalardan uzak tutun.
- **SADECE temiz ve soğuk su kullanın.**
- **Bu buharlı vantilatörü zirai ilaçları, sıvı gübreleri, kimyasalları veya temiz su dışında herhangi bir sıvıyı püskürtmek için kullanmayın.** Bu maddelerin püskürtülmesi durumunda operatör ve/veya üçüncü şahıslarda ciddi yaralanmalar veya hastalık meydana gelebilir.
- **Buharı veya suyu asla elektrik kablolarına veya cihazlara yöneltmeyin.**
- **Suyun batarya ile temas etmesini veya batarya bölümüne girmesini önlemek için batarya bölümü kapağının tamamen kapalı olduğundan emin olun.**
- **Cihazı ve tutma sapını kuru, temiz, bezin ve yağdan uzak tutun. Temizlik yaparken daima temiz bir bez kullanın. Vantilatörü temizlemek için asla fren sıvısı, petrol bazlı ürünler veya güçlü bir çözücü kullanmayın.** Bu kurala uyulması kontrol kaybını ve plastik gövde kısımlarının bozulma riskini azaltır.
- **Bir alev kaynağı (pilot alevi gibi) bataryayı patlatılabilir. Ciddi yaralanma riskini azaltmak için kablosuz bir ürünü asla açık alev bulunan bir yerde kullanmayın.** Patlayan bir batarya etrafa küçük parçalar ve kimyasal maddeler saçılabilir. Bunlara maruz kalınması halinde derhal su ile yıkayın.
- **Bu talimatları saklayın.** Talimatlara sık sık müracaat edin ve bu vantilatörü kullanacak diğer kişileri bilgilendirmek için kullanın. Bu vantilatörü başka birine ödünç vererseniz ürünün hatalı kullanılmasını ve olası yaralanmaları önlemek için bu talimatları da ürünle birlikte verin.
- **Yüksek nem seviyelerinin çevredeki biyolojik organizmaların büyümesini destekleyebileceğini unutmayın.**
- **Buharlı vantilatörün etrafındaki alanın nemli olmasına**

veya ıslanmasına izin vermeyin. Nem oluşursa, buharlı vantilatörün çıkış hacmini azaltın. Buharlı vantilatörün çıkış hacmi azaltılmıyorsa nemlendiriciyi aralıklı olarak kullanın. Halı, perde, kumaş veya masa örtüsü gibi emici malzemelerin ıslanmasına izin vermeyin.

- Cihaz kullanımda değilken haznede asla su bırakmayın.
- Depolamadan önce buharlı vantilatörü boşaltın ve temizleyin. Bir sonraki kullanımdan önce nemlendiriciyi temizleyin.

⚠ UYARI: Suda veya cihazın kullanıldığı veya depolandığı ortamda bulunabilecek mikroorganizmalar, su haznesinde büyüyebilir ve havaya üflenebilir, bu durum su yenilenmediğinde ve hazne 3 günde bir düzgün temizlenmediğinde çok ciddi sağlık risklerine neden olur.

- Şarj edilebilir bataryalar, şarj edilmeden önce cihazdan çıkarılmalıdır.
- Biten bataryalar cihazdan çıkarılmalı ve güvenli bir şekilde bertaraf edilmelidir.
- Cihaz uzun süre kullanılmadan depolanacaksa bataryası çıkarılmalıdır.
- Besleme kutupları kısa devre yapılmamalıdır.

BU TALİMATLARI SAKLAYIN

TEKNİK ÖZELLİKLER

Voltaj	56 V
Vantilatör Kanat Çapı	45,7 cm
Vantilatör Kademe Ayarları	6 ("Turbo" dahil)
Maks. Hava Hacmi	7000 m ³ /sa.
Maks. Hava Hızı	10,3 m/sn.
Buharlı Su Hacmi	I: 4,5 L/sa. II: 11,4 L/sa.
Ağırlık (batarya hariç)	-20°C ~ 70°C
Súty (akkumulátoregység nélkü)	10,4 kg

TR

PAKET LİSTESİ

PARÇA ADI	MİKTAR
Buharlı Vantilatör	1

Tekerlek Aksamı	Tekerlek	2
	Tekerlek Kapağı	2
	Pullu Vida	2
Üst Tutma Kolu Aksamı	Üst Tutma Kolu	1
	Pullu Vida	4
Anahtar		1
Yedek Nozul		1
Kullanım Kılavuzu		1

AÇIKLAMA

BUHARLI VANTİLATÖRÜNÜZÜ TANIYIN (Şek. A ve Şek. A1)

1. Üst Tutma Kolu
2. Vantilatör Muhafazası
3. Vantilatör Muhafazası Kilit Düğmesi
4. Tekerlek (x2)
5. Buhar Nozulu (x4)
6. Teleskopik Tutma Kolu
7. Batarya Bölmesi
8. Emme Borusu
9. Filtre
10. Kontrol Arayüzü
11. Güç Düğmesi
12. Hava Hızı Göstergesi
13. TURBO Göstergesi
14. TURBO Düğmesi
15. Hava Hızı Ayar Düğmesi
16. Buhar Modu Seçme Düğmesi
17. Buhar Göstergesi

TR

MONTAJ

⚠ UYARI: Hasarlı veya eksik parça varsa bu parçalar değiştirilinceye kadar ürünü çalıştırmayın. Bu ürünün hasarlı veya eksik parçalar ile kullanılması ciddi yaralanmalara yol açabilir.

⚠ UYARI: Bu ürün üzerinde değişiklik yapmaya veya bu vantilatör ile kullanılması önerilmeyen aksesuarlar oluşturmaya çalışmayın. Bu tür değişiklikler veya modifikasyonlar hatalı kullanımdır ve ciddi yaralanmalara neden olabilen tehlikeli bir duruma sebep olabilir.

⚠ UYARI: Parçaları monte ederken, ayar yaparken, temizlikten önce ve ürün kullanımda değilken daima bataryayı üründen çıkarın. Bataryanın çıkarılması, ciddi yaralanmalara neden olabilen yanlışlıkla çalışmayı önler.

TEKERLEKLERİN MONTAJI (Şek. B)

1. Tekerleklerden birinin deliğini vantilatörün tekerlek miliyle hizalayın ve tekerleği mile takın.
2. Tekerlek vidalarından birini tekerleğin deliğinden tekerlek miline geçirin, ardından vidayı ürünle birlikte verilen anahtarla sıkın.
3. Tekerlek kapağını tekerleğe takın.
4. Yukarıdaki 1 - 3 adımlarını izleyerek diğer tekerleği monte edin.

ÜST TUTMA KOLONU TAKMA (Şek. C)

1. Ürünle birlikte verilen dört vidayı üst tutma kolundaki deliklerle ve vantilatör muhafazasındaki deliklerle hizalayın.
2. Vidaları takın ve ardından ürünle birlikte verilen anahtarla sıkın.

Şek. B ve Şek. C'de gösterilen parçaların açıklaması aşağıdadır:

B-1	Tekerlek (2)	B-3	Pullu Vida (2)
B-2	Tekerlek Mili (2)	B-4	Tekerlek Kapağı (2)
C-1	Üst Tutma Kolu	C-2	Pullu Vida (4)
C-3	Vida Deliği		

ÇALIŞTIRMA

⚠ UYARI: Bu ürüne karşı edindiğiniz alışkanlığın sizi dikkatsiz yapmasına izin vermeyin. Bir anlık dikkatsizliğin ciddi yaralanmalara sebep olabileceğini unutmayın.

⚠ UYARI: Bu ürünün üreticisi tarafından önerilmeyen herhangi bir aparatı veya aksesuarı kullanmayın. Tavsiye edilmeyen aksesuarların veya aparatların kullanımı ciddi yaralanmalara sebep olabilir.

Her kullanımdan önce ürünü inceleyerek vida, somun, cıvata, kapak gibi parçaların hasarlı, eksik veya gevşek olup olmadığını kontrol edin. Tüm bağlantı parçalarını ve kapakları sıkın, bu ürünü eksik veya hasarlı parçalar değiştirilmeden çalıştırmayın.

⚠ UYARI: Parçaları monte ederken, ayar yaparken, temizlik yaparken veya ürün kullanımda değilken daima

bataryayı üründen çıkarın. Bataryanın çıkarılması, ciddi yaralanmalara neden olabilen yanlışlıkla çalışmayı önler.

KULLANIM ALANLARI

Bu ürünü aşağıda belirtilen amaçlar için kullanabilirsiniz:

- Çoğu ev uygulamasında genel havalandırma
- Su kaynağına bağlıyken dış mekan soğutma

VANTİLATÖR AÇISINI AYARLAMA (Şek. D)

1. Vantilatör muhafazasını tutmak için üst tutma kolunu kavrayın.
2. Ayarlanabilir vantilatör muhafazasını gevşetmek için vantilatör muhafazası kilit düğmesini SAAT YÖNÜNÜN TERSİNE çevirin.
3. Ayarlanabilir vantilatör muhafazasını istediğiniz açığa göre öne veya arkaya doğru eğin. Vantilatör 90°'ye kadar öne, 135°'ye kadar geriye dönebilir.
4. Vantilatör muhafazasını istediğiniz açıda sabitlemek için kilit düğmesini SAAT YÖNÜNDE çevirin.

BATARYAYI TAKMA/ÇIKARMA (Şek. E)

Sadece Şek. A2'de listelenen EGO bataryalarını ve şarj cihazlarını kullanın.

İlk kullanımdan önce tamamen şarj edin.

Takmak için

1. Açmak için batarya bölmesi kapağını çekin.
2. Bataryanın çıkıntıları ile montaj yuvalarını hizalayın ve "klik" sesi duyana kadar bataryayı aşağıya bastırın.

Çıkarmak için

1. Batarya çıkarma düğmesine basın ve bataryayı çekip çıkarın.
2. Kapatmak için batarya bölmesi kapağını itin. Suyun batarya ile temas etmesini veya batarya bölmesine girmesini önlemek için kapağın tamamen kapalı olduğundan emin olun.

Şek. E'de gösterilen parçaların açıklaması aşağıdadır:

E-1	Batarya Çıkarma Düğmesi
E-2	Batarya Bölmesi Kapağı

BUHARLI VANTİLATÖRÜ BAŞLATMAK/ DURDURMAK İÇİN

DİKKAT: Hava hızı için ilk fabrika ayarı 3. kademedir. Vantilatör, en son kullanılan hava hızı ayarını kaydeder ve yeniden başlatıldığında buna geri döner.

ÖNEMLİ: Turbo ayarı kaydedilmez.

DİKKAT: Buhar ayarı kaydedilmez ve vantilatör her açıldığında varsayılan olarak kapalı olur.

GÜÇ DÜĞMESİ

- Vantilatörü açmak için güç düğmesine kısaca basın.
- Vantilatörü kapatmak için güç düğmesine tekrar kısaca basın.

HAVA HIZI AYARI

Normal Hava Hızı

- Hava hızını artırmak için "+" düğmesine, azaltmak için "-" düğmesine basın. 5 hız kademesi vardır.
- Hava hızı göstergesi, mevcut hız seviyelerine karşılık gelen yeşil ışıklar görüntüler.

TURBO Modu

- "TURBO" düğmesine bastığınızda TURBO göstergesi yeşil renkte yanar ve vantilatör "TURBO" moduna, yani en yüksek hava hızına geçer.
- "TURBO" modundayken "TURBO" düğmesine tekrar bastığınızda TURBO göstergesi söner ve vantilatör daha önce aktif olan hava hızına devam eder.
- "TURBO" modundayken "-" düğmesine bastığınızda TURBO göstergesi söner ve vantilatör hava hızı 5. kademeye geçer.

BUHAR FONKSİYONU

VANTİLATÖRÜ BİR SU KOVASI İLE KULLANMA (ÜRÜNE DAHİL DEĞİLDİR) (Şek. F)

⚠ UYARI: Çocuklar kovaların içine düşebilir ve boğulabilir. Çocukları, içindeki sıvı miktarı az olsa bile kovalardan uzak tutun.

DİKKAT: Her kullanımdan önce kovayı sabun ve suyla temizleyin.

1. Bataryanın bağlantısını kesin.
2. Kovayı düz bir yüzey üzerine yerleştirin.
3. Kovaya SADECE temiz ve soğuk su ekleyin. Aşırı doldurmayın.
4. Emme borusunun filtre ucunu su kovasına daldırın.

DİKKAT: Emme borusunu bükmeyin ve suyun burudan kesintisiz bir şekilde aktığından emin olun.

5. Bataryayı takın ve batarya bölmesi kapağını kapatın.
6. Vantilatörü açmak için güç düğmesine basın.
7. Buhar çıkarmayı başlatmak için buhar modu seçme düğmesine basın:

TR

- Buhar modu seçme düğmesine bir kez bastığınızda buhar göstergesinde, 'sürekli' buhar (durmadan sürekli buhar çıkarma) modunu gösteren iki yeşil ışık yanar.

DİKKAT: Buhar nozullarından çıkan buharı ilk kez görmeniz yaklaşık 15 saniye sürebilir. Bu gecikme, suyun su kovasından nozullara akması için geçen süreden kaynaklanmaktadır.

- Buhar modu seçme düğmesine tekrar bastığınızda buhar göstergesinde, "aralıklı" buhar (10 saniyede bir 5 saniye buhar çıkarma) modunu gösteren bir yeşil ışık yanar.
- Buhar modu aralıklı moddayken, buhar modu seçme düğmesine tekrar bastığınızda buhar göstergesi ışıkları söner ve buhar çıkarma durur.

DİKKAT: Buhar çıkarma işlemi bittiğinde, emme borusunu sudan dışarı çekin ve buradaki tüm su temizlenene kadar vantilatörü buhar modunda çalıştırın. Böylece vantilatör yeniden çalıştırıldığında buruda kalan suyun beklenmedik şekilde buhara neden olmasının önlenmesi sağlanır.

VANTİLATÖRÜ BUHARSIZ KULLANMA

İstenirse bu ürün bir su kaynağına bağlı olmadığına sadece vantilatör olarak kullanılabilir. Kullanılmadığı zaman, hasardan ve kirlilikten korumak için emme borusunu daima depolama alanına (Bu kılavuzun "DEPOLAMA" bölümüne bakın) yerleştirin.

DAHİLİ KORUMA

Buhar fonksiyonu etkinleştirildiğinde buhar çıkmıyorsa:

- Su pompası kısa bir süre çalışmaya devam eder ve ardından dahili elektronik aksamı korumak için otomatik olarak durur.
- Buhar moduna bağlı olarak, buhar göstergesinde kısa bir süre bir veya iki sabit yeşil ışık yanar ve ardından operatörü aşağıdakileri yapması için uyararak üzere yeşil ışık(lar) sürekli olarak yanıp söner:

- a. Emme borusunun suya doğru şekilde daldırılıp daldırılmadığını kontrol edin.
- b. Buhar nozullarının tıkalı olup olmadığını kontrol edin ve "NOZUL BAKIMI" bölümüne göre temizleyin.
- c. Buhar çıkarmayı yeniden başlatmak için buhar modu seçme düğmesine basın.

BAKIM

⚠ UYARI: Bakım yaparken sadece orijinal yedek parçaları kullanın. Diğer parçaların kullanılması tehlike oluşturabilir veya ürünün hasar görmesine neden olabilir. Emniyet ve güvenilirliği sağlamak için tüm tamir işleri yetkili

bir servis teknisyeni tarafından yapılmalıdır.

⚠ UYARI: Ciddi yaralanmaları önlemek için temizlik veya bakım işlemi gerçekleştirirken daima bataryayı üründen çıkarın.

GENEL BAKIM

Plastik parçaları temizlerken çözücü maddeler kullanmaktan kaçının. Çoğu plastik malzeme çeşitli ticari çözücü türlerinden etkilenmeye yatkındır ve bu çözücü maddelerin kullanılması durumunda zarar görebilirler. Kir, toz, yağ, gres vb. gidermek için temiz bez kullanın.

⚠ UYARI: Fren sıvıları, benzin, petrol bazlı ürünler, içe işleyen yağlar, vb.nin plastik parçalara temas etmesine kesinlikle izin vermeyin. Kimyasal maddeler plastik parçalara hasar verebilir, bu tür parçaları zayıflatabilir veya parçalayabilir ve bu durum ciddi yaralanmalara neden olabilir.

NOZUL BAKIMI (Şek. G)

⚠ UYARI: Su sızıntılarını önlemek için tüm buhar nozulu bakımlarının düzgün yapıldığından emin olun. Sızıntılar, kayma ve düşme tehlikesi oluşturan kaygan bir yüzeye yol açabilir veya maddi hasara neden olabilir.

Nozulları temizlemek için

1. Vantilatörü kapatın ve bataryayı çıkarın.
2. Tıkanmış piriç buhar nozullarını SAAT YÖNÜNÜN TERSİNE çevirerek çıkarın.
3. Etkilenen her nozulu parçalara ayırın.
4. Nozulları tıkayan veya kısıtlayan **yabancı parçacıkları temizlemek için** nozul parçalarını suyla yıkayın. **Kireç (mineral) birikimini temizlemek için** nozul parçalarını gerekirse beyaz sirke veya başka bir kireç çözücü madde ile temizleyin.
5. Nozulları yeniden takın.

DİKKAT: Tıkanmayı önlemek için nozulun tam olarak Şek. G'de gösterildiği gibi monte edildiğinden emin olun.

6. Temiz nozulları tekrar takın.

FİLTRE BAKIMI (Şek. H)

Emme borusunun ucundaki filtreyi periyodik olarak kontrol ederek iyi durumda olduğundan emin olun.

1. Filtreyi emme borusundan çekin.
2. Filtreyi parçalarına ayırın ve sünger filtreyi çıkarın.
3. Sünger filtreyi durulayın veya gerekirse değiştirin.
4. Filtreyi yeniden monte edin ve emme borusuna yeniden bağlayın.

Şek. H'de gösterilen parçaların açıklaması aşağıdadır:

H-1	Filtre	H-3	Sünger Filtre
H-2	Üst Parça	H-4	Alt Parça

VANTİLATÖR MUHAFAZASI BAKIMI (Şek. I1 ve Şek. I2)

⚠ UYARI: Muhafazayı çıkarmadan önce bataryanın üründen çıkarıldığından emin olun.

1. Ön ızgara korumasını vantilatör muhafazasından KISMEN kaldırmak için altı vidayı gevşetin ve çıkarın.

⚠ DİKKAT: Hasar oluşmasını önlemek için ÖNCE emme borusunun bağlantısını kesmeden ön ızgara koruyucusunu tamamen çıkarmayın.

2. Emme borusunu çıkarmak için somunun ucundaki siyah kauçuğa bastırın.
3. Ön ızgara korumasını tamamen çıkarın.
4. Vantilatör kanadını milden ayırmak için vantilatör kanadı kilit kapağını saat yönünde çevirin.
5. Vantilatör kanadını çıkarın.
6. Gerekirse vantilatör kanadını ve muhafazanın içini temizleyin.
7. Bu parçaları ters sırada yeniden monte edin ve şunlardan emin olun:
 - emme borusunun somuna düzgün bir şekilde bağlandığından.
 - emme borusunun ızgara koruyucusundaki yuvaya düzgün bir şekilde yerleştirildiğinden.

Şek. I1 ve I2'de gösterilen parçaların açıklaması aşağıdadır:

I1-1	Ön ızgara Koruması	I1-4	Siyah Kauçuk
I1-2	Vida (6)	I1-5	Emme Borusu
I1-3	Somun	I2-1	Kilit Kapağı
I2-2	Vantilatör Kanadı		

TAŞIMA

- Vantilatör, kısa mesafeli yolculuklar veya bozuk yüzey/ arazi geçişlerinde vantilatörü taşımak için bir üst tutma kolu ile donatılmıştır.
- Uzun mesafeli taşımalarda vantilatörü döndürmek için teleskopik tutma kolunu kullanın. Vantilatörü eğmek için üst tutma kolunu kullanın ve ardından bir "klik" sesi duyana kadar teleskopik tutma kolunu dışarı çekin. Teleskopik tutma kolu kullanılmadığında aletin içine itin (Şek. J).

DEPOLAMA

1. Bataryayı çıkarın.
2. Vantilatörü iyice temizleyin.
3. Emme borusunu ve filtreyi boşaltın.
4. Emme borusunu vantilatörün arkasında bulunan depolama konumlarından birine yerleştirin (Şek. K1 ve Şek. K2).
5. Vantilatörü kuru, iyi havalandırılan ve çocukların erişemeyeceği bir yerde depolayın. Vantilatörü gübre, benzin veya diğer kimyasalların üzerinde veya yakınında depolamayın.

ÇEVRE KORUMASI



Elektrikli cihazları, kullanılmış bataryayı ve şarj cihazını evsel atıklarla bertaraf etmeyin! Bu ürünü yetkili bir geri dönüşüm merkezine götürün ve ayrı bir şekilde toplanmasını sağlayın. Elektrikli aletler çevreyle uyumlu bir geri dönüşüm tesisine götürülmelidir.

SORUN GİDERME

SORUN	NEDENİ	ÇÖZÜM
Alet çalışmıyor.	<ul style="list-style-type: none">■ Batarya kapasitesi düşüktür.■ Batarya veya vantilatör çok sıcaktır.	<ul style="list-style-type: none">■ Bataryayı şarj edin.■ Vantilatörü kapatın ve vantilatör ile bataryanın soğumasını bekleyin.
Su buharı yok ve buhar göstergesinde iki yeşil ışık yanıp sönüyor.	<ul style="list-style-type: none">■ Emme borusu su emmiyordür ve aletin içindeki su pompası için dahili korumayı etkinleştiriyordür.■ Buhar nozulları çalışma sırasında tıkanmıştır ve su pompası için dahili korumayı etkinleştirmiştir.	<ul style="list-style-type: none">■ Kovada yeterince su olduğundan ve emme borusunun suya doğru şekilde daldırıldığından emin olun.■ Nozulları "NOZUL BAKIMI" bölümüne göre temizleyin ve talimatlara göre yeniden monte edin.
Vantilatör muhafazası bakımından sonra su sızıntısı oluyor.	<ul style="list-style-type: none">■ Emme borusuna bağlanan somun beklenmedik bir şekilde gevşemiştir.	<ul style="list-style-type: none">■ Vantilatör muhafazasını "VANTİLATÖR MUHAFAZASI BAKIMI" bölümüne göre açın. Somunun tamamen sıkıldığından emin olun.

GARANTİ

EGO GARANTİ POLİTİKASI

EGO Garanti Politikasına ilişkin tüm hükümler ve koşullar için lütfen egopowerplus.com adresindeki web sitemizi ziyaret edin.

LUGEGE LÄBI KÕIK JUHISED!



LUGEGE KASUTUSJUHENDIT

⚠ HOIATUS: Ohutuse ja töökindluse tagamiseks tohivad seda seadet remontida ainult vastava kvalifikatsiooniga hooldustehnikud.

OHUTUSSÜMBOLID

Ohutussümbolite eesmärk on pöörata tähelepanu võimalikele ohtudele. Ohutussümbolitele ja nende juures olevatele seletustele tuleb korralikult tähelepanu pöörata ja need endale selgeks teha. Ohutussümbolid iseenesest ei kõrvalda ohtu. Nendega kaasnevad juhendid ja hoiatused ei asenda asjakohaseid õnnetuste ennetamise meetmeid.

⚠ HOIATUS: Enne käesoleva seadme kasutamist lugege kindlasti läbi ja tehke endale selgeks kõik kasutusjuhendis toodud ohutusjuhised, sh kõik ohutussümbolid nagu „OHT,” „HOIATUS,” ja „ETTEVAATUST”. Kui allpool loetletud juhiseid ei järgita, võib tagajärjeks olla elektrilöök, tulekahju ja/või tõsised isikuvigastused.

	Ohutusteade	Teie turvalisusega seotud ettevaatusabinõud
	Lugege kasutusjuhend läbi ja tehke see endale selgeks	Vigastuste ohu vähendamiseks peab kasutaja enne toote kasutamist lugema kasutusjuhendit ja selle endale selgeks tegema.
	Vihma OLUKORD	Mitte jätta vihma kätte
	CE	Toode vastab kohaldatavatele EÜ direktiividele.
	UKCA	Toode vastab kohaldatavatele Ühendkuningriigi õigusaktidele.
	WEEE	Elektriseadmete jäätmeid ei tohi visata olmejäätmete hulka. Viige volitatud taaskäitleja juurde.

IPX4	Kaitseklass	Kaitstud igast suunast tulevate pritsmete vastu
	Alalisvool	Voolu tüüp või omadus
V	volti	Pinge
cm	Sentimeeter	Pikkus või suurus
m/s	Meetrit sekundis	Kiirus
L/h	Litrit tunnis	Voolukiirus
°C	Celsius	Temperatuur
kg	Kilogramm	Kaal

ÜLDISED OHUTUSHOIATUSED

⚠ HOIATUS: Tulekahju, elektrilöögi või kehavigastuste ohu vähendamiseks:

- **Õpi oma uduventilaatorit tundma. Lugege juhend hoolikalt läbi. Tehke omale selgeks ventilaatori rakendusvõimalused ja piirangud ning ka konkreetse seadmega seotud potentsiaalsed ohud.** Nende reeglite järgimine vähendab elektrilöögi, tulekahju või tõsiste vigastuste riski.
- Seadet ei tohi kasutada vähenenud füüsiliste, sensoorsete või vaimsete võimete või väheste kogemuste ja teadmistega isikud (sh. lapsed), välja arvatud juhul, kui nende turvalisuse eest vastutav isik on taganud piisava järelevalve ja juhendamise vastava seadme kasutamise kohta.
- Lastele tuleb õpetada, et nad ei tohi seadmega mängida.

TÖÖPIIRKONNA OHUTUS

- **Ärge kasutage ventilaatorit plahvatusohtlikus keskkonnas, kus leidub nt tuleohtlikke vedelikke, gaase või tolmu.**
- **Elektritööriistadega töötamisel hoidke lapsed ja kõrvalised isikud eemal.** Tähelepanu hajumisel võite kaotada kontrolli seadme üle.
- **Olge tuulistest tingimustes kasutamisel ettevaatlik.** Tuul võib viia udu elektrijuhnetesse või seadmetesse.
- **Ärge jätke seadet vihma või märgade tingimuste kätte.** Vee elektritööriista sisse sattumine suurendab elektrilöögi ohtu.

ET

ISIKLIK OHUTUS

- Olge tähelepanelik, töötage hoolikalt ja rakendage tervet mõistust. Ärge kasutage ventilaatorit, kui olete väsinud, ärritunud või tarvitanud narkootikume, alkoholi või ravimeid. Isegi hetkeline tähelepanematus seadme kasutamise ajal võib põhjustada tõsiseid vigastusi.
- Ennetage tööriista tahtmatut käivitamist. Enne seadme ühendamist akuplokiga, enne seadme kättevõtmist või kandmist veenduge, et lüliti on mitteaktiivses asendis. Seadme transportimine sõrme lülilil hoides või aktiivses olekus lülitiga põhjustab õnnetusi.
- Enne tööriista sisselülitamist eemaldage sellelt kõik reguleerimis- ja nutrivõtmed. Elektritööriista pöörleva osa külge unustatud võtmed vms tööriistad võivad põhjustada kehavigastusi.
- Ärge küünitage liiga kaugele. Töötage ainult kindlal pinnal ja kohtades, kus pole ohtu tasakaalu kaotada. Nii säilitate ootamatutes olukordades elektritööriista üle parema kontrolli.
- Riietuge asjakohaselt. Ärge kandke ehteid ega avaraid riideid. Vältige oma juuste ja riiete kokkupuudet liikuvate osadega. Liiga avarad riided, ehted ja pikad juuksed võivad liikuvate osade vahele kinni jääda.
- Enne seadme kasutamist veenduge, et kõik ühendused on kindlad.
- Kui seade on teile sagedase kasutamise tulemusel tuttavaks saanud, ärge laske ennast lödvaks ega ignoreerige tööriista kasutamise ohutusreegleid. Hooletuse tõttu võite saada tõsiseid vigastusi ka sekundi murdosa jooksul.

KASUTAMINE JA HOOLDUS

- Ärge kasutage seadet, mida ei saa lülitist sisse ega välja lülitada. Ventilaator, mille lüliti ei tööta, on ohtlik ja tuleb parandada.
- Enne ventilaatori kohandamist, tarvikute lahti/külge ühendamist või hoiustamist ühendage akuplokk ventilaatori küljest lahti. Need ohutusmeetmed vähendavad seadme juhusliku käivitamise ohtu.
- Hoidke seisvat seadet lastele kättesaamatus kohas ja ärge lubage seadet kasutada isikutel, kes ei tunne seadet ega neid juhiseid. Seadmed on koolitamata isikute käes ohtlikud.
- Hooldage seadet ja tarvikuid. Kontrollige, kas liikuvad osad on korrektselt joondatud ja ükski

osa ei ole katki ning jälgige ka muid aspekte, mis võiksid seadme omadusi mõjutada. Kahjustuse korral laske seade enne kasutamist parandada. Paljude õnnetuste põhjuseks on kehvasti hooldatud seadmed.

- Kasutage seadet, tarvikuid jm vastavalt käesolevale juhendile, võttes arvesse töötingimusi ja teostatavat tööd. Seadme mittesihipärane kasutamine võib põhjustada ohtlikke olukordi.
- Hoidke käepidemed ja haardepinnad kuivad ja puhtad ning vältige neile õli ja rasva sattumist. Libedad käepidemed ja haardepinnad takistavad seadme ohutut kasutamist ja käsitsemist ootamatutes olukordades.

⚠ HOIATUS: Tulekahju või elektrilöögi oht vähendamiseks ärge kasutage seda ventilaatorit koos ühegi pooljuhtkiiruse reguleerimisseadmega.

AKUSEADMETE KASUTAMINE JA HOOLDUS

- Kasutage laadimiseks ainult tootja poolt ette nähtud laadijaid. Akulaadija, mis sobib teatud tüüpi akuplokkide, võib põhjustada tulekahju ohtu, kui seda kasutada mõne teise akuplokiga.
- Kasutage seadet ainult selle jaoks ette nähtud akuplokkidega. Mõne muu akuploki kasutamine võib põhjustada vigastuste ja tulekahju ohtu.
- Kui akut ei kasutata, hoidke seda eemal muudest metallesemetest nagu kirjaklambrid, mündid, võtmed, naelad, kruvid ja muud väikesed metallesemed, mis võivad klemmide vahel ühenduse luua. Akuklemmide lühiühendus võib põhjustada põletushaavu ja tulekahju ohtu.
- Valedes tingimustes kasutamisel võib akut vedelikku välja tulla; vältige kokkupuudet sellega. Kokkupuute korral loputage veega. Kui vedelik satub silma, pöörduge lisaks ka arsti poole. Akust erituv vedelik võib põhjustada ärritust või põletusi.
- Ärge kasutage kahjustunud või modifitseeritud akuplokki või seadet. Kahjustunud või modifitseeritud akud võivad toimida ettearvamatu, mille tagajärjeks võib olla tulekahju, plahvatus või vigastuste oht.
- Vältige akuploki või seadme kokkupuudet tule või liiga kõrge temperatuuriga. Kokkupuude lahtise tule või temperatuuriga üle 130°C võib põhjustada plahvatuse.
- Järgige kõiki laadimisjuhiseid ja ärge laadige akuplokki või seadet vale temperatuuril juures (vt juhiseid). Valesti või valel temperatuuril laadimine võib kahjustada akut ja suurendada tulekahju ohtu.

HOOLDUS

- Laske oma seadet hooldada kvalifitseeritud remonditehnikul, kes kasutab ainult identseid originaalvaruosi. Nii tagate, et seade on hooldatud.
- Ärge kunagi hooldage kahjustunud akuplokke. Akuplokkide hooldust võib teostada ainult tootja või volitatud teeninduskeskus.

{JUHTMEVABA UDUVENTILAATORI OHUTUSJUHISED

- Ärge lubage ventilaatorit mänguasjana kasutada. Kui kasutate tööriista laste lähedal või lasete seda kasutada lastel, olge väga tähelepanelik.
- Lapsed võivad kukkuda ämbritesse ja uppuda. Hoidke lapsed isegi väikese koguse vedelikuga ämbritest eemal.
- kasutage AINULT puhast külma vett.
- Ärge kasutage seda uduventilaatorit pestiitsiidide, vedelväetiste, kemikaalide või muude vedelike peale puhta vee pihustamiseks. Nende ainete laialiajamine võib põhjustada raskeid vigastusi seadme kasutajale või kõrvalistele isikutele.
- Ärge kunagi suunake udu või vett elektrijuhtmete või seadmete suunas.
- Veenduge, et akupeska kate oleks täielikult suletud, et vältida vee kokkupuudet akuga või akuporti sattumist.
- Hoidke seade ja selle käepide kuivad, puhtad ja vältige õli ja rasva sattumist seadmele. Puhastamisel kasutage alati puhast lappi. Ärge kasutage ventilaatori puhastamiseks piduriõli, bensiini, naftapõhiseid tooteid või teisi tugevatoimelisi lahusteid. Selle reegli järgimisega vähendate seadme üle kontrolli kaotamise ohtu ning plastikosade lagunemist.
- Akud võivad süütelikka, nt signaallambi läheduses plahvatada. Tõsiste vigastuste ennetamiseks ärge kunagi kasutage mistahes juhtmevaba toodet lahtise leegi läheduses. Plahvatav aku võib paisata enda ümber prahti ja kemikaale. Kokkupuute korral loputage mõjutatud kohta viivitamatult rohke veega.
- Hoidke need juhised alles. Lugege juhendit sageli ning kasutage seda ventilaatorit kasutavate isikute väljaõpetamiseks. Kui te selle ventilaatori kellelegi laenate, andke sellega kaasa ka käesolev kasutusjuhend, et vältida seadme väärkasutamist ja võimalikke vigastusi.
- Pidage meeles, et kõrge õhuniiskuse tase võib soodustada bioloogiliste organismide kasvu keskkonnas.
- Ärge laske uduventilaatori ümbrusel muutuda niiskeks ega märjaks. Niiskuse ilmnemisel keerake uduventilaatori väljund alla. Kui uduventilaatori väljundvõimsust ei saa maha keerata, kasutage niisutajat vaheldumisi. Ärge laske imavatel materjalidel, nagu vaipkatted, kardinad, kardinad või laudlinad, märjaks saada.
- Ärge kunagi jätke vett mahutisse, kui seadet ei kasutata.
- Enne ladustamist tühjendage ja puhastage uduventilaator. Puhastage niisutaja enne järgmist kasutamist.

⚠ HOIATUS: Mikroorganismid, mis võivad esineda vees või keskkonnas, kus seadet kasutatakse või hoitakse, võivad veereservuaaris kasvada ja õhku paiskuda, põhjustades väga tõsiseid terviseriske, kui vett ei uuendata ja paaki ei panda. Puhastage korralikult iga 3 päeva tagant.

- Laetavad akud tuleb seadmelt enne selle käitlemist eemaldada.
- Tühjad akud tuleb seadmest eemaldada ja ohutult kõrvaldada
- Eemaldage patareid/akud, kui seadet hoiustatakse pikka aega seda kasutamata.
- Klemme ei tohi lühistada.

HOIDKE SEE KASUTUSJUHEND ALLES

SPETSIFIKATSIOONID

Pinge	56 V
Laba läbimõõt	45,7 cm
Ventilaatori kiiruse sätted	6 (kaasa arvatud "Turbo")
Max Õhu maht	7000 m ³ /h
Max Õhuvoolu kiirus	10.3 m/s
Pihustatav veekogus	I: 4,5 l/h II: 11,4 l/h
Soovituslik hoiustamise temperatuur	-20°C-70°C
Kaal (ilma akuplokita)	10,4 kg

ET

PAKENDI LOEND

OSA NIMI		KOGUS
Uduventilaator		1
Ratta moodul	Ratas	2
	Hubcap	2
	Kruvi koos seibiga	2
Ülakäepideme moodul	Ülemine käepide	1
	Kruvi koos seibiga	4
Mutrivõti		1
Varudüüs		1
Kasutusjuhend		1

KIRJELDUS

TUNDKE OMA UDUVENTILAATORIT (joonis A ja joon. A1)

1. Ülemine käepide
2. Ventilaatori korpus
3. Ventilaatori korpuse lukustusnupp
4. Ratas (x2)
5. Uduotsik (x4)
6. Teleskoopkäepide
7. Akupes
8. Sisselasketoru
9. Filter
10. Juhtliides
11. Toitenupp
12. Õhuvoo kiiruse märgutuli
13. TURBO märgutuli
14. TURBO nupp
15. Õhuvoo kiiruse reguleerimisnupp
16. Udurežiimi valimise nupp
17. Udu märgutuli

ET

KOKKUPANEK

⚠ HOIATUS: Kui mõni osa on kahjustatud või puudub, ärge kasutage toodet enne, kui see osa on parandatud. Kasutades kahjustatud või vajalike komponentideta seadet, võite saada raskeid vigastusi.

⚠ HOIATUS: Ärge üritage toodet ümber ehitada ega kasutada lisaseadmeid, mis pole mõeldud selle seadmega koos kasutamiseks. Kõik niisugused muudatused loetakse väärkasutuseks ja need võivad põhjustada ohtlikke olukordi, mis lõppevad raskete vigastustega.

⚠ HOIATUS: Toote kokkupanemise, reguleerimise, puhastamise või mittekasutamise ajaks tuleb alati eemaldada akuplokk. Akuploki eemaldamisega välistate seadme juhusliku käivitumise, millega võiksid kaasned

RATASTE KOKKUPANEK (JOON. B)

1. Joondage ühe ratta ava ventilaatori rattateljega ja paigaldage ratas teljele.
2. Keerake üks rattakruvi läbi ratta ava ratta telje sisse, seejärel pingutage kruvi kaasasoleva mutrivõtmega.
3. Kinnitage rummukate ratta külge.
4. Pange teine ratas kokku, järgides ülaltoodud samme 1-3.

ÜLAKÄEPIDEME KINNITAMINE (JOON. C)

1. Joondage neli kaasasolevat kruvi ülemise käepideme ja ventilaatori korpuses olevate avadega.
2. Sisestage kruvid ja seejärel pingutage need kaasasoleva mutrivõtmega.

Jooniste B ja C osade kirjeldust vt allpool:

B-1	Ratas (2)	B-3	Kruvi koos seibiga (2)
B-2	Ratta telg (2)	B-4	Rummukate (2)
C-1	Ülemine käepide	C-2	Kruvi koos seibiga (4)
C-3	Kruvi ava		

SEADME KASUTAMINE

⚠ HOIATUS: Ärge muutuge toodet tundma õppides hooletuks. Pidage meeles, et raskeid vigastusi põhjustavaks õnnetuseks piisab ka sekundi mürdosa pikkusest tähelepanematuses.

⚠ HOIATUS: Ärge kasutage lisaseadmeid või -tarvikuid, mida selle seadme valmistaja pole soovitanud. Mittesoovituslike lisaseadmete või -tarvikute kasutamine võib põhjustada raskeid kehavigastusi.

Kontrollige enne iga kasutuskorda kogu seadet, et ei esineks kahjustunud, puuduvaid või lahtisi osi, nt. kruve, mutreid, polte, korke vms. Kinnitage kindlalt kõik kinnitused ja korgid ning ärge kasutage toodet, kuni kõik puuduvad või kahjustatud osad on välja vahetatud.

⚠ HOIATUS: Seadme kokkupanemise, kohandamise, puhastamise või mittekasutamise ajaks tuleb akuplokk alati eemaldada. Akuploki eemaldamisega välistate seadme juhusliku käivitumise, millega võiksid kaasnedä risked kehavigastused.

KASUTUSEESMÄRGID

Seda toodet võib kasutada allpool loetletud eesmärkidel.

- Üldventilatsioon enamikus majapidamisrakendustes
- Välisjahutus, kui see on ühendatud veeallikaga

VENTILAATORI NURGA REGULEERIMINE (JOON. D)

1. Ventilaatori korpuse hoidmiseks haarake ülemisest käepidemest.
2. Reguleeritava ventilaatori korpuse vabastamiseks keerake ventilaatori korpuse lukustusnuppu VASTUPÄEVA.
3. Kallutage reguleerivat ventilaatori korpust soovitud nurga alla ette või taha. Ventilaatorit saab pöörata kuni 90° ettepoole kuni 135° tahapoole.
4. Pöörake lukustusnuppu PÄEVAPÄEVA, et kinnitada ventilaatori korpust soovitud nurga all.

AKUPLOKI PAIGALDAMINE/EEMALDAMINE (joon. E)

Kasutage ainult joonisel A2 esitatud EGO akuplokke ja laadureid.

Enne esmakasutamist laadige täielikult täis.

Paigaldamine

1. Tõmmake akupesa katet selle avamiseks.
2. Joondage aku sakid paigaldussoontega ja suruge akuplokk alla kuni kuulete klõpsatust.

Eemaldamine

1. Vajutage akuvabastusnuppu ja tõstke akuplokk välja.
2. Vajutage akupesa katet selle sulgemiseks. Veenduge, et see oleks täielikult suletud, et vältida vee kokkupuudet akuga või akuporti sisenemist.

Joonise E osade kirjeldus on esitatud allpool

E-1	Akuvabastusnupp
E-2	Akupesa kate

UDUVENTILAATORI KÄIVITAMINE/SEISKAMINE

MÄRKUS: Õhuvoo kiiruse algne tehaseseadete tase
3. Ventilaator salvestab viimati kasutatud õhukiiruse seadistuse ja naaseb sellele taaskäivitamisel.

OLULINE: Turbo seadistust ei salvestata.

MÄRKUS: Uduseadeid ei salvestata ja see on vaikimisi välja lülitatud iga kord, kui ventilaator sisse lülitatakse.

TOITENUPP

- Ventilaatori sisselülitamiseks (ON) vajutage korraks toitenuppu.
- Ventilaatori väljalülitamiseks (OFF) vajutage uuesti korraks toitenuppu.

ÕHUVOO KIIRUSE REGULEERIMINE

Normaalne õhuvoolu kiirus

- Õhuvoo kiiruse kiirendamiseks vajutage nuppu "+" ja õhuvoo kiiruse vähendamiseks nuppu "-". Seadmel on 5 kiirusastet.
- Õhuvoo kiiruse märgutuli põleb roheliselt, mis vastab praegustele kiirustasemetele.

TURBO režiim

- Vajutage nuppu "TURBO", TURBO märgutuli süttib roheliselt ja ventilaator lülitub "TURBO" režiimile, st suurimale õhukiirusele.
- Kui olete režiimis "TURBO", vajutage uuesti nuppu "TURBO", TURBO märgutuli kustub ja ventilaator jätkab varem aktiivset õhukiirust.
- Kui olete režiimis "TURBO", vajutage nuppu "-", TURBO märgutuli kustub ja ventilaator lülitub õhukiiruse tasemele 5.

UDUFUNKTSIOON

VENTILAATORI KASUTAMINE VEEÄMBRIGA (EI OLE KAASAS) (joonis F)

⚠ HOIATUS: Lapsed võivad kukkuda ämbritesse ja uppuda. Hoidke lapsed eemal ämbritest, mis sisaldavad isegi väikest kogust vedelikku.

MÄRKUS: Enne iga kasutamist puhastage ämbrist seebi ja veega.

1. Ühendage akuplokk lahti.
2. Asetage ämber tasasele pinnale.
3. Lisage ämbrisse AINULT puhast külma vett. Ärge ületäitke.
4. Kastke sisselasketoru filtritsi veeämbrisse.

MÄRKUS: Ärge painutage sisselasketoru ja veenduge alati, et vesi voolab sujuvalt läbi toru.

5. Paigaldage akuplokk ja sulgege akupesa kaas.
6. Ventilaatori sisselülitamiseks (ON) vajutage toitenuppu.

ET

7. Udu puhustamise alustamiseks vajutage udurežiimi valiku nuppu:

- Vajutage üks kord udurežiimi valimise nuppu ja udunäidikul süttib kaks rohelist tuld, mis näitavad pidevat udurežiimi – udu tekib kogu aeg ilma peatumata.

MÄRKUS: Düüsidest väljuva udu nägemiseks võib kuluda umbes 15 sekundit. See viivitus on tingitud ajast, mis kulub vee ämbriist düüsidesse voolamiseks.

- Vajutage uuesti udurežiimi valikunuppu ja udunäidikul süttib üks roheline tuli, mis näitab "vahelduvat" udurežiimi - udu tekib 5 sekundi iga 10 sekundi järel.
- Kui udu on vahelduvas režiimis, vajutage uuesti udurežiimi valikunuppu ja udutamise näidiku tuled kustuvad ja udu tekitamine peatub.

MÄRKUS: Kui udutamine on lõppenud, tõmmake sisselasketoru veest välja ja laske ventilaatoril udurežiimil töötada, kuni kogu vesi torust eemaldatakse. See aitab vältida torus oleva jääkvee ootamatut uduks muutmist ventilaatori uuesti käivitamisel.

VENTILATORI KASUTAMINE ILMA UDUTA

Soovi korral võib seda toodet kasutada ainult ventilaatorina, kui see pole veeallikaga ühendatud. Kui seda ei kasutata, asetage sisselasketoru alati selle hoiukohta (vt selle juhendi jaotist **HOIUSTAMINE**), et kaitsta seda kahjustuste ja saastumise eest.

SISEKAITSE

Kui udu tekitamise funktsioon on aktiveeritud, kuid veeudu ei välju:

- Veepump töötab mõnda aega ja peatub seejärel sisemise elektroonika kaitsmiseks automaatselt.
- Sõltuvalt udurežiimist kuvab udunäidik korraks üht või kahte rohelist tuld ja vilgub seejärel pidevalt roheliselt, mis hoiatab kasutajat:

- a. Kontrollida, kas sisselasketoru on korralikult vette kastetud.
- b. Kontrollida, kas ududüüs(id) on ummistunud, ja puhastada vastavalt peatükile "**DÜÜSIDE HOOLDUS**".
- c. Udu tekitamise taaskäivitamiseks vajutage udurežiimi valiku nuppu.

HOOLDUS

⚠ HOIATUS: Remontimisel kasutage vaid originaalvaruosi. Mis tahes muude osade kasutamine võib põhjustada ohtlikke olukordi või seadet vigastada.

Turvalisuse ja vastupidavuse tagamiseks peab kõiki parandustöid läbi viima kvalifitseeritud hooldustehnik.

⚠ HOIATUS: Raskete kehavigastuste vältimiseks tuleb seadme puhastamise või hooldamise ajaks alati akuplokk eemaldada.

ÜLDHOOLDUS

Vältige plastosade puhastamisel lahustite kasutamist. Enamik plastmaterjalid on vastuvõtlikud müügil olevatest lahustitest tulenevatele kahjustustele. Kasutage mustuse, tolmu, õli, määrdet jms eemaldamiseks puhast lappi.

⚠ HOIATUS: Ärge kunagi laske pidurivedelikel, bensiinil, naftal põhinevatel toodetel, läbitungivatel õlidel jms plastosadega kokku puutuda. Kemikaalid võivad plasti kahjustada, nõrgendada või hävitada, mille tagajärjeks võib olla raske kehavigastus.

DÜÜSIDE HOOLDUS (joonis G)

⚠ HOIATUS: Veelekke vältimiseks veenduge, et kõik ududüüsi hooldustööd tehakse korralikult. Lekked võivad tekitada libeda pinna, tekitades libisemis- ja kukkumisohtu või põhjustada varalist kahju.

Düüside puhastamine

1. Lülitage ventilaator välja ja eemaldage akuplokk.
2. Eemaldage ummistunud messingist ududüüsid, pöörates neid PÄEVAPÄEVA.
3. Võtke iga mõjutatud düüs osadeks lahti.
4. Düüse ummistavate või piiravate **vöörosakeste eemaldamiseks** loputage düüside osi veega. **Katlakivi (mineraalide) kogunemise eemaldamiseks** puhastage düüsi osi vajadusel valge äädika või muu katlakivieemaldusvahendiga.
5. Pange düüsid uuesti kokku.

MÄRKUS: Ummistumise vältimiseks veenduge, et düüs on kokku pandud täpselt nii, nagu on näidatud joonisel G.

6. Kinnitage puhtad düüsid uuesti.

FILTRI HOOLDUS (joonis H)

Kontrollige perioodiliselt sisselasketoru otsas olevat filtrit, et veenduda, et see on heas seisukorras.

1. Tõmmake filter sisselasketoru küljest ära.
2. Keerake filter osadeks lahti ja eemaldage käsnvõrk.
3. Loputage käsnvõrk või asendage see vajadusel.
4. Pange filter uuesti kokku ja ühendage see uuesti sisselasketoruga.

Vaadake joonise H osade kirjeldust allpool:

H-1	Filter	H-3	Käsnvõrk
H-2	Ülemine osa	H-4	Alumine paneel

VENTILAATORI KORPUSE HOOLDUS (joonis I1 ja joonis I2)

⚠ HOIATUS: Enne kaitsekatte eemaldamist veenduge, et akuplokk on tootest eemaldatud.

- Keerake lahti ja eemaldage kuus kruvi, et tõsta eesmine võrekaitse OSALISELT ventilaatori korpusest ära.

⚠ ETTEVAATUST! Kahjustuste vältimiseks ärge eemaldage eesmist võrekaitset täielikult ilma sisselasketoru EELNEVALT lahti ühendamata.

- Sisselasketoru välja tõmbamiseks vajutage mutri otsas olevat musta kummi.
- Eemaldage eesmine võrekaitse täielikult.
- Pöörake ventilaatori laba lukustuse katet päripäeva, et vabastada ventilaatori laba völliit.
- Eemaldage ventilaatori laba.
- Vajadusel puhastage ventilaatori laba ja korpuse sisemus.
- Pange need kokku vastupidises järjekorras ja veenduge, et:
 - sisselasketoru on korralikult mutriga ühendatud.
 - sisselasketoru on korralikult asetatud võrekaitse pesasse.

Joon. I1 ja I2 osade kirjeldust vt allpool

I1-1	Eesmine võrekaitse	I1-4	Must kumm
I1-2	Kruvi (6)	I1-5	Sisselasketoru
I1-3	Mutter	I2-1	Lukukate
I2-2	Ventilaatori laba		

TRANSPORTIMINE

- Ventilaator on varustatud ülemise käepidemega ventilaatori lühike vahemaad transportimiseks või konarliku pinna/maastiku läbimiseks.
- Pikamaatranspordi puhul kasutage ventilaatori transportimiseks teleskoopkäepidet. Kasutage ventilaatori kallutamiseks ülemist käepidet ja seejärel tõmmake teleskoopkäepide välja, kuni kuulete klõpsatust. Kui teleskoopkäepidet ei kasutata, lükake see tööriista sisse (joonis J).

HOIUSTAMINE

- Eemaldage akuplokk.
- Puhastage ventilaator põhjalikult.
- Tühjendage sisselasketoru ja filter.
- Asetage sisselasketoru mõlemasse hoiuasendisse, ventilaatori tagaosas (joonis K1 ja joonis K2).
- Hoidke ventilaatorit kuivas, hästiventileeritud ning lastele kättesaamatus kohas. Ärge hoidke ventilaatorit väetiste, bensini või muude kemikaalide peal või lähedal.

KESKKONNAKAITSE



Ärge visake elektriseadmeid, kasutatud akut ega laadurit olmeprügi hulka! Viige toode volitatud taaskäitleja juurde ja võimaldage selle komponendid sorteerituna kõrvaldada. Elektriööriistad tuleb viia keskkonnakaitsenõudeid järgivasse jäätmekäitluskeskusesse.



TÖRKEOTSING

PROBLEEM	PÕHJUS	LAHENDUS
Tööriist ei tööta.	<ul style="list-style-type: none">■ Akuploki täituvus on madal.■ Aku või ventilaator on liiga kuum.	<ul style="list-style-type: none">■ Laadige akuplokki.■ Lülitage ventilaator välja ja laske ventilaatoril ning akul jahtuda.
Udu ei tekki ja udu näidikul vilgub kaks rohelist tuld.	<ul style="list-style-type: none">■ Sisselasketoru ei ime vett, aktiveerides tööriista sees oleva veepumba sisemise kaitse.■ Ududüüs(id) ummistusid töö käigus, aktiveerides veepumba sisemise kaitse.	<ul style="list-style-type: none">■ Kontrollige ja veenduge, et ämbris on piisavalt vett ja sisselasketoru on korralikult vette kastetud.■ Puhastage düüs(id) vastavalt peatükile "DÜÜSIDE HOOLDUS" ja pange need uuesti kokku vastavalt juhistele.
Pärast ventilaatori korpuse hooldust lekib vesi.	<ul style="list-style-type: none">■ Sisselasketoru ühendusmutter läks ootamatult lahti.	<ul style="list-style-type: none">■ Avage ventilaatori korpus vastavalt peatükile "VENTILAATORI KORPUSE HOOLDUS". Kontrollige ja veenduge, et mutter on täielikult pingutatud.

GARANTII

EGO GARANTIIPÕHIMÕTTED

Täielikud EGO garantiitingimused leiate veebilehelt egopowerplus.com.

ET

ПРОЧИТАЙТЕ ВСІ ІНСТРУКЦІЇ!



ПРОЧИТАЙТЕ ПОСІБНИК З ЕКСПЛУАТАЦІЇ

⚠ ПОПЕРЕДЖЕННЯ. Для гарантування безпеки та надійності всі роботи з ремонту та заміни повинен проводити кваліфікований технічний спеціаліст.

СИМВОЛИ, ЩО СТОСУЮТЬСЯ БЕЗПЕКИ

Мета символів, пов'язаних із безпекою, – привернути вашу увагу до можливих небезпек. Символи безпеки та їхнє пояснення заслуговують на вашу пильну увагу та розуміння. Символи попереджень самі по собі не усувають будь-якої небезпеки. Інструкції та попередження, які вони надають, не замінюють належних заходів щодо запобігання аваріям.

⚠ ПОПЕРЕДЖЕННЯ. Перш ніж користуватися цим інструментом, обов'язково ознайомтеся з усіма інструкціями з безпеки, наведеними в цьому посібнику користувача, зокрема з усіма символами попереджень, такими як «**НЕБЕЗПЕКА**», «**ПОПЕРЕДЖЕННЯ**» та «**ЗАСТЕРЕЖЕННЯ**». Недотримання наведених нижче вказівок може спричинити ураження електричним струмом, пожежу та/або серйозні травми.

	Попередження щодо безпеки	Запобіжні заходи, що стосуються вашої безпеки
	Ознайомтеся з посібником користувача	Щоб зменшити ризик травми, користувач повинен ознайомитися з інструкцією користувача перед використанням цього виробу.
	Дощ	Не залишайте під дощем
	CE	Цей виріб відповідає чинним директивам ЄС.
	UKCA	Цей виріб відповідає чинному законодавству Великобританії.

	WEEE	Відходи електричних виробів не слід викидати разом із побутовим сміттям. Зверніться до авторизованого пункту переробки.
IPX4	Ступінь захисту від пилу та вологи	Захист від бризок води
	Постійний струм	Тип або характеристика струму
V	Вольти	Напруга
cm	Сантиметри	Довжина або розмір
m/s	Метри на секунду	Швидкість
л/год	Літри на годину	Швидкість потоку
°C	Градуси Цельсія	Температура
kg	Кілограми	Вага

ЗАГАЛЬНІ ПОПЕРЕДЖЕННЯ ЩОДО БЕЗПЕКИ

⚠ ПОПЕРЕДЖЕННЯ. Щоб зменшити ризик пожежі, ураження електричним струмом або травми:

- Ознайомтеся з вентилятором із функцією туманоутворення. Уважно прочитайте інструкцію. Дізнайтеся про застосування та обмеження вентилятора, а також про конкретні потенційні небезпеки, пов'язані з цим вентилятором. Дотримання цього правила зменшить ризик ураження електричним струмом, пожежі або серйозних травм.
- Цей прилад не призначено для використання особами (зокрема дітьми) з обмеженими фізичними, сенсорними чи розумовими можливостями, або такими, що мають недостатньо досвіду або знань, окрім випадків, якщо вони використовують прилад під наглядом або були проінструктовані стосовно його використання особою, відповідальною за їхню безпеку.
- Діти повинні бути під наглядом, щоб вони не бавилися з приладом.

UK

БЕЗПЕКА В РОБОЧІЙ ЗОНІ

- Не використовуйте вентилятор у вибухонебезпечній атмосфері, наприклад, у присутності легкозаймистих рідин, газів або пилу.
- Дітям і спостерігачам заборонено перебувати поруч із приладом, що працює. Це може відволікати вас і призвести до втрати контролю.
- Будьте обережні під час використання в умовах вітру. Вітер може заносити туман в електропроводку або пристрої.
- Не піддавайте прилад дії дощу або сирості. Вода, що потрапила в прилад, підвищує ризик ураження електричним струмом.

ІНДИВІДУАЛЬНА ТЕХНІКА БЕЗПЕКИ

- Під час роботи з приладом будьте уважні, стежте за своїми діями та мисліть розсудливо. Не працюйте з приладом, якщо ви втомлені, засмучені або перебуваєте під дією наркотичних речовин, алкоголю чи ліків. Навіть миттєва неуважність під час роботи з приладом може призвести до серйозної травми.
- Уникайте випадкового запуску інструмента. Перш ніж підключати прилад до акумулятора, брати чи переносити його, перевірте, чи встановлено перемикач у положення «вимкнено». Якщо переносити прилад, тримаючи палець на вимикачі, або під'єднати прилад, який увімкнено вимикачем, до джерела живлення, це може призвести до нещасних випадків.
- Перш ніж вмикати прилад, слід зняти всі регульовальні клинці або гайкові ключі. Якщо залишити такий ключ на рухомій частині приладу, це може призвести до травмування.
- Не дотягуйте. Завжди міцно стійте на ногах і втримуйте рівновагу. Це дає змогу краще керувати приладом у разі виникнення непередбачуваних ситуацій.
- Одягайтеся належним чином. Не носіть вільного одягу або прикрас. Стежте за тим, щоб волосся та одяг не потрапили на рухомі частини. Вільний одяг, прикраси або довге волосся можуть потрапити в рухомі частини.
- Перед використанням приладу переконайтеся, що всі з'єднання надійні.
- Не дозволяйте навичкам, отриманим після частого використання приладу, змусити вас стати самовпевненими та ігнорувати принципи

безпеки роботи з приладом. Недбала дія може спричинити серйозну травму протягом доли секунди.

ВИКОРИСТАННЯ ТА ДОГЛЯД

- Не використовуйте прилад, якщо вимикач не вмикає або не вимикає його. Прилад, яким неможливо керувати за допомогою вимикача, становить небезпеку й потребує ремонту.
- Від'єднайте акумуляторну батарею від приладу, перш ніж виконувати будь-яке регулювання, замінити аксесуари чи зберігати прилад. Такі запобіжні заходи техніки безпеки зменшують ризик випадкового запуску приладу.
- Зберігайте прилад, що не використовується у недоступному для дітей місці та не дозволяйте особам, які не знайомі з приладом або цими інструкціями, керувати приладом. Прилади становлять небезпеку в руках недосвідчених користувачів.
- Обслуговуйте прилад і аксесуари. Перевіряйте їх на предмет розладнання чи блокування рухомих частин, а також будь-яких обставин, які можуть вплинути на роботу приладу. У разі пошкодження приладу відремонтуйте його перед використанням. Часто нещасні випадки трапляються внаслідок неналежного технічного обслуговування приладу.
- Користуйтеся приладом і аксесуарами згідно з цією інструкцією, зважаючи на робочі умови та роботу, яку слід виконати. Використання приладу не за призначенням може стати причиною виникнення небезпечних ситуацій.
- Підтримуйте руків'я та захватні поверхні сухими, чистими, без жиру і бруду. Слизькі ручки та захватні поверхні не дають змоги безпечно тримати та керувати інструментом у непередбачених ситуаціях.

⚠ ПОПЕРЕДЖЕННЯ. Щоб зменшити ризик пожежі або ураження електричним струмом, не використовуйте цей вентилятор із будь-яким твердотільним пристроєм контролю швидкості.

КОРИСТУВАННЯ І ДОГЛЯД ЗА АКУМУЛЯТОРНИМ ІНСТРУМЕНТОМ

- Заряджайте лише за допомогою зарядного пристрою, указанного виробником. Зарядний пристрій, який підходить для акумуляторів одного виду, може спричинити ризик пожежі у випадку його використання з іншим акумулятором.

UK

- З приладом слід використовувати лише призначені для нього акумуляторні батареї. Використання будь-яких інших акумуляторних батарей може призвести до травми або пожежі.
- Коли батарея не використовується, її слід тримати окремо від металевих предметів – затискачів паперу, монет, ключів, цвяхів, шурупів та інших дрібних предметів, які можуть замкнути клема. Коротке замикання клем акумулятора може стати причиною опіків чи пожежі.
- У надто важких умовах експлуатації з акумулятора може витікати рідина; не доторкайтесь до неї. Якщо випадково ви все ж торкнулися її, слід промити це місце водою. Якщо рідина потрапила в очі, слід також звернутися до лікаря. Рідина, яка виступає з акумулятора, може спричинити подразнення або опіки.
- Не використовуйте акумуляторну батарею або прилад, які пошкоджено або змінено. Пошкоджені або змінені батареї можуть мати непередбачувану поведінку, що може спричинити пожежу, вибух або ризик травмування.
- Не піддавайте акумуляторну батарею або прилад дії вогню або високих температур. Вогонь або температура вище 130°C може спричинити вибух.
- Дотримуйтесь усіх інструкцій щодо заряджання та не заряджайте акумуляторну батарею або прилад за межами температурного діапазону, зазначеного в інструкція. Зарядження неналежним чином або при температурах за межами вказаного діапазону може пошкодити акумулятор і збільшити ризик виникнення пожежі.
- Використовуйте ЛИШЕ чисту холодну воду.
- Не використовуйте цей вентилятор для розпилення пестицидів, рідких добрив, хімікатів або будь-яких інших рідин, крім чистої води. Розпилювання цих речовин може призвести до серйозної травми оператора або сторонніх спостерігачів.
- Ніколи не спрямовуйте туман або воду на електричну проводку чи пристрої.
- Переконайтеся, що кришка акумуляторного відсіку повністю закрыта, щоб вода не потрапила на акумулятор або в порт акумулятора.
- Підтримуйте прилад і його руків'я сухими, чистими, без мастила і бруду. Завжди використовуйте чисту ганчірку для чищення. Ніколи не використовуйте гальмівні рідини, бензин, нафтові продукти або будь-які міцні розчинники для очищення вентилятора. Дотримання цього правила зменшить ризик втрати контролю та пошкодження пластикової оболонки.
- Батареї можуть вибухнути в присутності джерела займання, наприклад індикатора. Щоб зменшити ризик серйозного травмування, ніколи не використовуйте бездротовий пристрій у присутності відкритого полум'я. Вибухла батарея може розповсюджувати сміття та хімічні речовини. У разі виявлення негайно змийте водою.
- Збережіть цю інструкцію. Часто переглядайте та використовуйте її, щоб навчати інших, хто може використовувати цей вентилятор. Якщо ви надаєте комусь цей вентилятор, надайте їм ці інструкції, щоб запобігти неналежному використанню виробу та можливим травмам.

СЕРВІС

- Обслуговування приладу повинен виконувати кваліфікований ремонтник із використанням лише ідентичних запасних частин. Це забезпечить надійну роботу приладу.
- Ніколи не ремонтуйте пошкоджені акумулятори. Сервісне обслуговування акумуляторних батарей має виконувати лише виробник або авторизовані постачальники послуг.

ІНСТРУКЦІЇ З БЕЗПЕКИ ДЛЯ АКУМУЛЯТОРНОГО ВЕНТИЛЯТОРА З ТУМАНООУТВОРЕННЯМ


- Не дозволяйте використовувати вентилятор як іграшку. Необхідна пильна увага, коли вона використовується дітьми або біля них.
- Діти можуть впасти у відра й потонути. Тримайте дітей подалі від відер навіть із невеликою кількістю рідини.
- Не допускайте, щоб область навколо вентилятора з туманоутворенням стала вологою або мокрою. Якщо з'являється сирість, зменште потужність вентилятора туману. Якщо потужність вентилятора з туманоутворенням не можна зменшити, використовуйте зволожувач повітря з перервами. Не допускайте, щоб абсорбуючі матеріали, такі як килимове покриття, штори, штори або скатертини, ставали вологими.
- Ніколи не залишайте воду в резервуарі, коли прилад не використовується.
- Перед зберіганням спустошіть і очистьте вентилятор із туманоутворенням. Очистьте зволожувач перед наступним використанням.

UK

⚠ ПОПЕРЕДЖЕННЯ. Мікроорганізми, які можуть бути присутніми у воді або середовищі, де використовується або зберігається прилад, можуть рости в резервуарі для води та розноситись у повітрі, спричиняючи дуже серйозні ризики для здоров'я, якщо вода не оновлюється і резервуар не очищується належним чином кожні 3 дні.

- Акумулятори необхідно виймати з приладу перед заряджанням.
- Розряджені батареї необхідно вийняти з приладу та безпечно утилізувати
- Якщо прилад зберігатиметься без використання протягом тривалого часу, батареї слід вийняти.
- Клеми живлення не дозволяється закорочувати.

ЗБЕРЕЖІТЬ ЦЮ ІНСТРУКЦІЮ

Напруга	56 В 
Діаметр лопаті вентилятора	45,7 см
Налаштування швидкості вентилятора	6 (включно з «Турбо»)
Макс. Об'єм повітря	7000 м ³ /год
Макс. Швидкість повітря	10,3 м/с
Об'єм води для туманоутворення	I: 4,5 л/год
	II: 11,4 л/год
Діапазон рекомендованих температур зберігання	-20°C ... +70°C
Вага (без акумулятора)	10,4 кг

ПАКУВАЛЬНИЙ СПИСОК

НАЗВА ДЕТАЛІ		КІЛЬКІСТЬ
Вентилятор із туманоутворенням		1
Колесо в зборі	Колесо	2
	Ковпак	2
	Гвинт із шайбою	2
Верхня ручка в зборі	Верхня ручка	1
	Гвинт із шайбою	4
Гайковий ключ		1
Запасна форсунка		1
Посібник користувача		1

UK

ОПИС

ОЗНАЙОМЛЕННЯ З ВЕНТИЛЯТОРОМ ІЗ ТУМАНОУТВОРЕННЯМ (рис. А та А1)

1. Верхня ручка
2. Корпус вентилятора
3. Ручка блокування корпусу вентилятора
4. Колесо (x2)
5. Розпилювальна форсунка (x4)
6. Телескопічна ручка
7. Акумуляторний відсік
8. Всмоктувальна трубка
9. Фільтр
10. Інтерфейс керування
11. Кнопка живлення
12. Індикатор швидкості повітря
13. Індикатор ТУРБО
14. Кнопка ТУРБО
15. Кнопка регулювання швидкості повітря
16. Кнопка вибору режиму туману
17. Індикатор туманоутворення

ЗБИРАННЯ

⚠ ПОПЕРЕДЖЕННЯ. Якщо якісь частини пошкоджені або відсутні, не користуйтеся цим інструментом, доки вони не будуть замінені. Використання цього виробу з пошкодженими або відсутніми деталями може призвести до серйозних травм.

⚠ ПОПЕРЕДЖЕННЯ. Не намагайтеся вдосконалити цей вентилятор або застосувати аксесуари, не рекомендоване для нього. Кожна така заміна чи переробка є фактом неправильного користування, створює небезпечні умови й загрожує серйозними травмами.

⚠ ПОПЕРЕДЖЕННЯ. Завжди виймайте акумуляторну батарею з виробу, коли збираєте деталі, виконуете регулювання, очищення, або коли виріб не використовується. Виймання акумулятора запобігає випадковому запуску, що може спричинити серйозні травми.

ЗБИРАННЯ КОЛІС (рис. В)

1. Вирівняйте отвір одного з коліс із віссю колеса вентилятора та встановіть колесо на вісь.

2. Закрутіть один із колісних гвинтів через отвір колеса у вісь колеса, а потім затягніть гвинт гайковим ключем, що входить у комплект.
3. Надягніть ковпак на колесо.
4. Зберіть друге колесо, виконавши описані вище кроки 1–3.

КРІПЛЕННЯ ВЕРХНЬОЇ РУЧКИ (рис. С)

1. Сумістіть чотири гвинти з отворами у верхній ручці та отворами в корпусі вентилятора.
2. Вставте гвинти, а потім затягніть ключем, що входить у комплект.

Рис. В і С – див. опис деталей нижче:

B-1	Колесо (2)	B-3	Гвинт із шайбою (2)
B-2	Вісь колеса (2)	B-4	Ковпак (2)
C-1	Верхня ручка	C-2	Гвинт із шайбою (4)
C-3	Отвір для гвинта		

ЕКСПЛУАТАЦІЯ

▲ ПОПЕРЕДЖЕННЯ. Знання виробу не має робити вас недбалим. Пам'ятайте, що півсекунди неувважності досить для серйозної травми.

▲ ПОПЕРЕДЖЕННЯ. Не використовуйте приладдя чи насадки, не рекомендовані виробником цього пристрою. Використання нерекomenованого приладдя чи насадок може призвести до серйозних травм.

Перед кожним використанням перевіряйте весь виріб на предмет пошкоджень, відсутності або послаблення деталей, таких як гвинти, гайки, болти, кришки тощо. Закріпіть усі затискачі та ковпачки і не використовуйте цей прилад, доки не будуть замінені всі відсутні або пошкоджені деталі.

▲ ПОПЕРЕДЖЕННЯ. Завжди виймайте акумуляторну батарею з виробу, коли встановлюєте деталі, виконуєте регулювання, очищення, або коли виріб не використовується. Виймання акумулятора запобігає випадковому запуску, що може спричинити серйозні травми.

ЗАСТОСУВАННЯ

Ви можете використовувати цей виріб для цілей, перелічених нижче:

- Загальна вентиляція в більшості побутових застосувань

- Охолодження надворі за умови підключення до джерела води

РЕГУЛЮВАННЯ КУТА ВЕНТИЛЯТОРА (рис. D)

1. Візьміться за верхню ручку, щоб тримати корпус вентилятора.
2. Поверніть ручку фіксатора корпусу вентилятора ПРОТИ ГОДИННИКОВОЇ СТРІЛКИ, щоб послабити регульований корпус вентилятора.
3. Нахиліть регульований корпус вентилятора вперед або назад на потрібний кут. Вентилятор може повертатися на кут до 90° вперед і до 135° назад.
4. Поверніть ручку фіксатора ЗА ГОДИННОВОЮ СТРІЛКОЮ, щоб зафіксувати корпус вентилятора під потрібним кутом.

УСТАНОВЛЕННЯ/ЗНЯТТЯ АКУМУЛЯТОРА (рис. E)

Використовуйте лише акумулятори та зарядні пристрої EGO, перелічені на рис. A2.

Повністю зарядіть перед першим використанням.

Установлення

1. Потягніть кришку батарейного відсіку, щоб відкрити її.
2. Вирівняйте виступи на акумуляторі з кріпильними отворами та натисніть на акумуляторну батарею, доки не почуєте «кляцання».

Видалення

1. Натисніть кнопку звільнення акумулятора та вийміть акумуляторну батарею.
2. Натисніть на кришку батарейного відсіку, щоб закрити її. Переконайтеся, що вона повністю закрита, щоб вода не потрапила на акумулятор або в порт акумулятора.

Рис. E – див. опис деталей нижче

E-1	Кнопка звільнення батареї
E-2	Кришка батарейного відсіку

ЗАПУСК/ЗУПИНКА ВЕНТИЛЯТОРА З ТУМАНООТВОРЕННЯМ

ПРИМІТКА. Початкове заводське налаштування швидкості повітря – рівень 3. Вентилятор збереже останнє налаштування швидкості повітря й повернеться до нього після перезавантаження.

ВАЖЛИВО! Налаштування турборежиму не зберігається.

ПРИМІТКА. Налаштування туманоутворення не буде збережено і за замовчуванням буде вимкнено після кожного ввімкнення вентилятора.

КНОПКА ЖИВЛЕННЯ

- Натисніть і відпустіть кнопку живлення, щоб увімкнути вентилятор.
- Натисніть кнопку живлення ще раз, щоб вимкнути вентилятор.

РЕГУЛЮВАННЯ ШВИДКОСТІ ПОВІТРЯ

Нормальна швидкість повітря

- Натисніть кнопку «+», щоб збільшити швидкість повітря, і натисніть кнопку «-», щоб зменшити швидкість повітря. Є 5 рівнів швидкості.
- Індикатор швидкості повітря світиться зеленими вогнями, що відповідають поточному рівню швидкості.

Режим ТУРБО

- Натисніть кнопку «ТУРБО», індикатор «ТУРБО» засвітиться зеленим кольором і вентилятор перейде в режим «ТУРБО», тобто на максимальну швидкість повітря.
- У режимі «ТУРБО» знову натисніть кнопку «ТУРБО», індикатор «ТУРБО» вимкнеться, і вентилятор відновить швидкість повітря, яка була раніше.
- У режимі «ТУРБО» натисніть кнопку «-», індикатор ТУРБО вимкнеться, і вентилятор перейде на швидкість повітря 5.

ФУНКЦІЯ ТУМАНООУТВОРЕННЯ

ВИКОРИСТАННЯ ВЕНТИЛЯТОРА З ВІДРОМ ДЛЯ ВОДИ (НЕ ВХОДИТЬ У КОМПЛЕКТ) (рис. F)

⚠ ПОПЕРЕДЖЕННЯ. Діти можуть впасти у відро й потонути. Тримайте дітей подалі від відер, що містять навіть невелику кількість рідини.

ПРИМІТКА. Мийте відро водою з милом перед кожним використанням.

1. Від'єднайте акумуляторну батарею.
2. Поставте відро на плоску рівну поверхню.
3. Налийте у відро ТІЛЬКИ чисту холодну воду. Не переливайте.
4. Занурте фільтруючий кінець всмоктувальної труби у відро з водою.

ПРИМІТКА. Не згинайте всмоктувальну трубку і завжди стежте, щоб вода безперешкодно проходила через неї.

5. Установіть акумуляторну батарею та закрийте кришку батарейного відсіку.
6. Натисніть кнопку живлення, щоб увімкнути вентилятор.
7. Натисніть кнопку вибору режиму утворення туману, щоб почати випускати туман:
 - Натисніть кнопку вибору режиму утворення туману один раз, і індикатор туману загориться двома зеленими лампочками, що вказує на «безперервний» режим утворення туману.

ПРИМІТКА. Може минути близько 15 секунд, перш ніж ви вперше побачите туман, що виходить із розпилювальних форсунок. Ця затримка пояснюється часом, який потрібен воді, щоб дотекти з відра з водою до форсунок.

- Натисніть кнопку вибору режиму утворення туману ще раз, і індикатор туману засвітиться одним зеленим індикатором, що вказує на «переривчастий» режим туману - туман утворюється протягом 5 секунд із кожних 10 секунд.
- Коли туманоутворення здійснюється в періодичному режимі, натисніть кнопку вибору режиму туману ще раз, і індикатори туману вимкнуться, а утворення туману припиниться.

ПРИМІТКА. Після закінчення розпилення витягніть всмоктувальну трубку з води та ввімкніть вентилятор у режимі туманоутворення, доки з трубки не вийде вся вода. Це допомагає запобігти неочікуваному розпиленню води, що залишилася в трубці, під час повторного запуску вентилятора.

ВИКОРИСТАННЯ ВЕНТИЛЯТОРА БЕЗ ТУМАНООУТВОРЕННЯ

За бажання цей виріб можна використовувати лише як вентилятор, якщо він не під'єднаний до джерела води. Коли всмоктувальна трубка не використовується, завжди кладіть її в місце для зберігання (див. розділ «ЗБЕРІГАННЯ» цього посібника), щоб захистити її від пошкодження та забруднення.

ВНУТРІШНІЙ ЗАХИСТ

Якщо функцію туману активовано, але водяний туман не виходить:

- Водяний насос деякий час працюватиме, а потім автоматично зупиниться, щоб захистити внутрішню електроніку.

- Залежно від режиму туманоутворення індикатор туманоутворення на короткий час відображатиме один або два безперервні зелені індикатори, а потім постійно блиматиме зеленим світлом, попереджаючи оператора про необхідність:

 - a. перевірити, чи всмоктувальна трубка належним чином занурена у воду;
 - b. перевірити, чи не засмічено розпилювальну форсунку(и) та очистити відповідно до розділу «**ОБСЛУГОВУВАННЯ ФОРСУНКИ**»;
 - c. натиснути кнопку вибору режиму туману, щоб перезапустити туманоутворення.

ОБСЛУГОВУВАННЯ

⚠ ПОПЕРЕДЖЕННЯ. Використовуйте для технічного обслуговування лише ідентичні запчастини. Використання будь-яких інших частин створює небезпеку або може призвести до поломки виробу. Для гарантування безпеки та надійності всі ремонтні роботи повинен проводити кваліфікований технічний спеціаліст.

⚠ ПОПЕРЕДЖЕННЯ. Щоб уникнути серйозних травм, завжди виймайте акумуляторну батарею з виробу, перш ніж чистити або виконувати будь-яке технічне обслуговування.

ЗАГАЛЬНИЙ ТЕХНІЧНИЙ ДОГЛЯД

Не використовуйте розчинники для очищення пластмасових деталей. Більшість пластмас чутливі до різноманітних промислових розчинників і можуть бути ними пошкоджені. Для видалення бруду, пилу, мастила тощо користуйтеся чистою ганчіркою.

⚠ ПОПЕРЕДЖЕННЯ. Ніколи не допускайте контакту пластмасових частин із гальмівною рідиною, газоліном, нафтопродуктами, проникаючими оліями й т. ін. Хімікати можуть пошкодити, ослабити або зруйнувати пластмасу, а це загрожує серйозними травмами.

ОБСЛУГОВУВАННЯ ФОРСУНКИ (Рис. G)

⚠ ПОПЕРЕДЖЕННЯ. Переконайтеся, що обслуговування розпилювальної форсунки виконується належним чином, щоб запобігти витoku води. Витік може призвести до того, що поверхня стане слизькою. Через це можна послизнутися і впасти, а також це може призвести до пошкодження майна.

Очищення форсунок

1. Вимкніть вентилятор і вийміть акумуляторну батарею.

2. Видаліть засмічені латунні розпилювальні форсунки, повертаючи їх ПРОТИ ГОДИННИКОВОЇ СТРІЛКИ.
3. Розберіть кожну пошкоджену форсунку на окремі частини.
4. **Щоб видалити будь-які сторонні частки,** які засмічують форсунки, промийте частини форсунок водою. **Щоб усунути накопичення накипу (мінеральних речовин),** очистьте частини форсунок білим оцтом або іншим засобом для видалення накипу, якщо необхідно.
5. Знову зберіть форсунки.

ПРИМІТКА. Щоб запобігти засміченню, переконайтеся, що форсунку зібрано точно так, як показано на рис. G.

6. Закріпіть на місце чисті форсунки.

ОБСЛУГОВУВАННЯ ФІЛЬТРА (рис. H)

Періодично перевіряйте фільтр на кінці всмоктувальної трубки, щоб переконаватися, що він у хорошому стані.

1. Зніміть фільтр із всмоктувальної трубки.
2. Розкрутіть фільтр на частини та вийміть губчасту сітку.
3. Промийте губчасту сітку або замініть її, якщо необхідно.
4. Знову зберіть фільтр і під'єднайте його до всмоктувальної трубки.

Рис. H – див. опис деталей нижче

H-1	Фільтр	H-3	Губчаста сітка
H-2	Верхня частина	H-4	Нижня частина

ОБСЛУГОВУВАННЯ КОРПУСУ ВЕНТИЛЯТОРА (рис. I1 і I2)

⚠ ПОПЕРЕДЖЕННЯ. Перш ніж зняти захисний кожух, переконайтеся, що акумулятори видалено з виробу.

1. Послабте та зніміть шість гвинтів, щоб ЧАСТКОВО зняти передню решітку з кожуха вентилятора.

⚠ ЗАСТЕРЕЖЕННЯ. Щоб уникнути пошкоджень, не знімайте повністю передню захисну решітку, не від'єднавши СПОЧАТКУ всмоктувальну трубку.

2. Натисніть на чорну гумку на кінці гайки, щоб витягнути трубку.
3. Повністю зніміть передню захисну решітку.
4. Поверніть кришку фіксатора лопаті вентилятора за годинниковою стрілкою, щоб звільнити лопаті вентилятора від валу.

UK

5. Зніміть лопаті вентилятора.
6. За потреби очистьте лопаті вентилятора та внутрішню частину корпусу.
7. Зберіть їх у зворотному порядку та переконайтеся, що:
 - всмоктувальна трубка правильно під'єднана до гайки.
 - всмоктувальна трубка правильно розміщена в отворі на захисній решітці.

Рис. I1 і I2 – див. опис деталей нижче

I1-1	Передня захисна решітка	I1-4	Чорна гумка
I1-2	Гвинт (6)	I1-5	Всмоктувальна трубка
I1-3	Гайка	I2-1	Фіксувальна кришка
I2-2	Лопаті вентилятора		

ТРАНСПОРТУВАННЯ

- Вентилятор оснащений верхньою рукою для перенесення вентилятора на короткі відстані або через пересічену місцевість/бездоріжжя.
- Для транспортування на далекі відстані використовуйте телескопічну ручку, щоб котити вентилятор. Використовуйте верхню ручку, щоб нахилити вентилятор, а потім витягніть телескопічну ручку, доки не почуєте клацання. Якщо телескопічна ручка не використовується, вставте її в прилад (рис. J).

ЗБЕРІГАННЯ

1. Вийміть акумуляторну батарею.
2. Ретельно очистьте вентилятор.
3. Спорожніть всмоктувальну трубку та фільтр.
4. Помістіть всмоктувальну трубку в будь-яке положення для зберігання ззаду вентилятора (рис. K1 і K2).
5. Зберігайте вентилятор у сухому, добре вентилятованому, недоступному для дітей місці. Не зберігайте вентилятор біля мінеральних добрив, бензину та інших хімікатів.

UK

ЗАХИСТ ДОВКІЛЛЯ



Не викидайте електричне обладнання, акумулятор і зарядний пристрій у побутові відходи! Віднесіть цей виріб авторизованому переробнику й надайте його для роздільного збирання. Електроінструменти необхідно повернути в підприємство, що займається екологічно безпечною переробкою.

УСУНЕННЯ НЕСПРАВНОСТЕЙ

НЕСПРАВНІСТЬ	ПРИЧИНА	ВИРІШЕННЯ
Прилад не працює.	<ul style="list-style-type: none"> ■ Низька ємність акумулятора. ■ Акумуляторна батарея або вентилятор занадто гарячі. 	<ul style="list-style-type: none"> ■ Зарядіть акумуляторну батарею. ■ Вимкніть вентилятор і дайте йому та акумуляторній батареї охолонути.
Водяний туман не утворюється, при цьому індикатор туману блимає двома зеленими лампами.	<ul style="list-style-type: none"> ■ Всмоктувальна трубка не всмоктує воду, активуючи внутрішній захист водяного насоса всередині приладу. ■ Форсунка(и) засмічена під час роботи, що призвело до спрацювання внутрішнього захисту водяного насоса. 	<ul style="list-style-type: none"> ■ Перевірте та переконайтеся, що у відрі достатньо води, а всмоктувальна трубка належним чином занурена у воду. ■ Очистьте форсунку(и) відповідно до розділу «ОБСЛУГОВУВАННЯ ФОРСУНОК» і знову зберіть їх відповідно до інструкцій.
Витік води відбувається після обслуговування корпусу вентилятора.	<ul style="list-style-type: none"> ■ Несподівано ослабла гайка, що з'єднується із всмоктувальною трубкою. 	<ul style="list-style-type: none"> ■ Відкрийте корпус вентилятора згідно з розділом «ОБСЛУГОВУВАННЯ КОРПУСУ ВЕНТИЛЯТОРА». Перевірте та переконайтеся, що гайка повністю затягнута.

ГАРАНТІЯ

ПРАВИЛА ГАРАНТІЇ EGO

Відвідайте веб-сайт egopowerplus.com для отримання повного тексту умов гарантійної політики EGO.

ПРОЧЕТЕТЕ ВСИЧКИ ИНСТРУКЦИИ!



ПРОЧЕТЕТЕ РЪКОВОДСТВОТО НА ОПЕРАТОРА

⚠ ПРЕДУПРЕЖДЕНИЕ: За да осигурите безопасността и надеждността, всички поправки и подмени трябва да се извършват от квалифициран сервизен техник.

СИМВОЛИ ЗА БЕЗОПАСНОСТ

Целта на символите за безопасност е да привличат вниманието към възможни опасности. Символите за безопасност и обясненията към тях заслужават вашето повишено внимание и осъзнаване. Символите за безопасност сами по себе си не елиминират каквато и да е опасност. Инструкциите и предупрежденията, които предоставят не са заместители за подходящите мерки за предотвратяване на инцидент.

⚠ ПРЕДУПРЕЖДЕНИЕ: Уверете се, че сте прочели и осъзнали всички инструкции за безопасност в това Ръководство на оператора, включително всички известяващи символи за безопасност, като "ОПАСНОСТ", "ПРЕДУПРЕЖДЕНИЕ" и "ВНИМАНИЕ" преди да използвате този инструмент. Неспазването на всички инструкции изброени долу може да доведе до електрически удар, пожар и/или сериозно нараняване.

	Сигнал за безопасност	Предпазни мерки, които засягат Вашата безопасност.
	Прочетете и разберете ръководството на оператора	За намаляване на опасността от нараняване, потребителят трябва да прочете и разбере ръководството на оператора преди използването на този продукт.
	Дъждовно състояние	Не излагайте на дъжд
	CE	Този продукт е в съответствие с приложимите директиви на ЕС.

	UKCA	Този продукт е в съответствие с приложимото законодателство на Великобритания.
	WEEE	Отпадъчните електрически продукти не трябва да бъдат изхвърляни заедно с домакинския отпадък. Отнесете го до упълномощено място за рециклиране.
IPX4	Степен на защита от навлизане на вода	Защита от водни пръски
	Постоянен ток	Вид или характеристика на тока
V	Волт	Напрежение
cm	Сантиметър	Дължина или размер
m/s	Метри в секунда	Скорост
л/ч	Литри на час	Дебит
°C	Целзий	Температура
kg	Килограм	Тегло

ОБЩИ ПРЕДУПРЕЖДЕНИЯ ЗА БЕЗОПАСНОСТ

⚠ ПРЕДУПРЕЖДЕНИЕ: За да намалите риска от пожар, електрически шок или нараняване:

- **Запознайте се със своя вентилатор за мъгла. Прочете внимателно ръководството с инструкции. Научете приложенията и ограниченията, както и специфичните потенциални опасности свързани с този вентилатор.** Следването на това правило ще намали риска от електрически удар, пожар или сериозно нараняване.
- Този уред не е предназначен за употреба от лица (включително деца) с понижени физически, сетивни или умствени способности, или без опит и познания, освен ако не им е осигурено наблюдение или инструктаж относно употребата на уреда от лице отговорно за тяхната безопасност.
- Децата трябва да бъдат наблюдавани за да се осигури, че не си играят с уреда.

БЕЗОПАСНОСТ В РАБОТНАТА ЗОНА

- Не работете с вентилатора в експлозивна атмосфера, като например в присъствието на запалими течности, газ или прах.
- Дръжте на разстояние децата и страничните лица, докато работите с електрически уред. Разсейването може да причини загуба на контрол.
- Бъдете внимателни, когато използвате при ветровити условия. Ветровете могат да носят мъгла в електрическите кабели или устройства.
- Не излагайте уреда на дъжд или мокри условия. Навлизането на вода в електрическия уред ще увеличи риска от токов удар.

ЛИЧНА БЕЗОПАСНОСТ

- Внимавайте, гледайте какво правите и използвайте здрав разум, когато работите с уреда. Не използвайте уреда, докато сте уморени, разстроени или под влияние на наркотици, алкохол или лекарства. Момент невнимание по време на работата с уреда може да доведе до сериозно нараняване.
- Предотвратете непреднамерено пускане. Уверете се, че ключът е в изключена позиция, преди да свържете към акумулаторната батерия, при повдигане или при пренасяне на уреда. Носейки уреда, докато пръстът ви е на превключателя или подаването на захранване на уреда, които са с включен прекъсвач, е предпоставка за инциденти.
- Извадете всеки регулиращ ключ или гаечен ключ, преди да включите уреда. Гаечен или друг ключ оставен закачен към въртящите се части на уреда може да доведе до лично нараняване.
- Не се протягайте. Запазете правилна стойка и баланс по всяко време. Това позволява по-добър контрол върху уреда в непредвидени ситуации.
- Облечете се подходящо. Не носете отпуснати дрехи или бижута. Дръжте косата и дрехите си далеч от движещи се части. Отпуснати дрехи, бижута или дълга коса, могат да бъдат хванати в движещите се части.
- Проверете дали всички връзки са сигурни, преди да работите с уреда.
- Не позволявайте на рутинността придобита от честата употреба на уреда да позволи да станете небрежни и да игнорирате принципите за безопасност на уреда. Небрежно действие може да причини сериозно нараняване за части от секундата.

УПОТРЕБА И ПОЛАГАНЕ НА ГРИЖИ

- Не използвайте уреда, ако превключателят не го включва и изключва. Всеки уред, който не може да бъде контролиран от превключателя е опасен и трябва да бъде поправен.
- Снемете акумулаторната батерия от уреда преди извършването на каквито и да е настройки, смяна на аксесоари или съхранение на уреда. Подобни превантивни мерки за безопасност намаляват риска от стартиране на уреда инцидентно.
- Съхранявайте неизползвания уред далеч от обсега на деца и не позволявайте на лица, които не са запознати с уреда или тези инструкции, да работят с уреда. Уредите са опасни в ръцете на необучени потребители.
- Поддържайте уреда и аксесоарите. Проверете за разместване или блокиране на подвижни части, счупване на части, и всякакви други условия, които могат да повлияят на работата на уреда. Ако е повреден, поправете уреда преди употреба. Много инциденти са причинени от лошо поддържани уреди.
- Използвайте уреда и аксесоарите и т.н в съответствие с тези инструкции, като вземете предвид условията на работа и вида работа, която ще бъде извършвана. Употребата на уреда за дейности различни от предназначенията може да доведе до опасни ситуации.
- Дръжте ръкохватките и повърхностите за захващане сухи, чисти и без масло и грес. Хлъзгавите ръкохватки и места за захващане не позволяват безопасно боравене и контролиране на инструмента при неочаквана ситуация.

⚠ ПРЕДУПРЕЖДЕНИЕ: За да намалите риска от пожар или токов удар, не използвайте този вентилатор с надеждно устройство за контрол на скоростта.

УПОТРЕБА И ГРИЖА ЗА ИНСТРУМЕНТ С БАТЕРИЯ

- Презареждайте само със зарядното устройство определено от производителя. Зарядно устройство, което е подходящо за един вид акумулаторна батерия може да създаде опасност от пожар, когато се използва с друга акумулаторна батерия.
- Използвайте уреда само със специфично обозначени акумулаторни батерии. Използването на всяка друга акумулаторна батерия може да създаде риск от нараняване и пожар.

BG

- Когато акумулаторните батерии не са в употреба ги дръжте на разстояние от други метални обекти, като кламери, монети, ключове, пирони, отвертки или други малки метални предмети, които могат да направят свързване между клемите. Свързване на късо на клемите на батерията може да причини изгаряне или пожар.
- При условия на злоупотреба, може да се изхвърли течност от батерията. Избягвайте контакт. В случай на инцидентен контакт измийте с вода. Ако течността влезе в контакт с очите, потърсете допълнително медицинска помощ. Течността изхвърлена от батерията може да причини раздразнение или изгаряния.
- Не използвайте акумулаторна батерия или уред, които са повредени или модифицирани. Повредените или модифицираните батерии може да проявят непредсказуемо поведение, което да доведе до пожар, експлозия или риск от нараняване.
- Не излагайте батерията или уреда на огън или прекомерна температура. Излагане на огън или температури над 130°C може да причини експлозия.
- Следвайте всички инструкции за зареждане и не зареждайте батерията или уреда извън температурния обхват зададен в инструкциите. Неправилното зареждане или зареждане извън определения температурен обхват може да повреди батерията и да повиши риска от пожар.

ОБСЛУЖВАНЕ

- Обслужвайте вашия уред чрез квалифициран техник, като използвате само идентични резервни части. Това ще осигури поддържането на безопасност за уреда.
- Никога не поправете повредени акумулаторни батерии. Ремонтът на акумулаторни батерии трябва да бъде извършван от производителя или оторизиран сервиз.

ИНСТРУКЦИИ ЗА БЕЗОПАСНОСТ ЗА БЕЗЖИЧЕН ВЕНТИЛАТОР ЗА МЪГЛА

- Не позволявайте вентилаторът да се използва като играчка. Изисква се повишено внимание, когато се използва от или близо до деца.
- Децата могат да паднат в кофи и да се удавят. Дръжте децата далеч от кофи дори с малко количество течност.
- Използвайте САМО чиста, студена вода.
- Не използвайте този вентилатор за мъгла за пръскане на пестициди, течни торове, химикали

или други течности, различни от чиста вода. Пръскането на тези вещества може да доведе до сериозно нараняване или заболяване на оператора или околните.

- Никога не насочвайте мъгла или вода към електрически кабели или устройства.
- Уверете се, че капакът на отделението за батерията е напълно затворен, за да предотвратите контакт на вода с батерията или навлизане в порта на батерията.
- Поддържайте уреда и ръкохватките му сухи, чисти и без масло и грес. Винаги използвайте чист плат, когато почиствате. Никога не използвайте спирална течност, бензин, продукти на нефтена основа или други силни разтворители за почистване на вашия вентилатор. Следването на тези правила ще намали риска от загуба на управление и влошаване на качествата на пластмасата по корпуса.
- Батериите могат да експлодират в присъствието на източник на възпламеняване, като контролна лампа. За да намалите риска от сериозно нараняване, никога не използвайте каквито и да е безжични продукти в присъствието на открит огън. Експлодирала батерия може да изхвърли остатъци и химикали. Ако се изложите на това, незабавно изплакнете с вода.
- Запазете тези инструкции. Обръщайте се често към тях и ги използвайте за инструктиране на други, които може да използват този вентилатор. Ако заемете този вентилатор на някой друг, заемете му също и тези инструкции, за да се предотврати злоупотреба с продукта и вероятно нараняване.
- Имайте предвид, че високите нива на влажност могат да насърчат растежа на биологични организми в околната среда.
- Не позволявайте зоната около вентилатора да стане влажна или мокра. Ако се появи влага, намалете мощността на вентилатора за мъгла. Ако изходният обем на вентилатора за мъгла не може да бъде намален, използвайте овлажнителя периодично. Не позволявайте абсорбиращите материали, като килими, завеси, драперии или покривки, да се намокрят.
- Никога не оставяйте вода в резервоара, когато уредът не се използва.
- Изпразнете и почистете вентилатора за мъгла преди съхранение. Почистете овлажнителя преди следваща употреба.

⚠ ПРЕДУПРЕЖДЕНИЕ: Микроорганизмите, които могат да присъстват във водата или в околната среда, където уредът се използва или съхранява, могат да растат във водния резервоар и да бъдат разнесени във въздуха, причинявайки много сериозни рискове за здравето, когато водата не се подновява и резервоарът не е почистени правилно на всеки 3 дни.

- Акумулаторните батерии трябва да се извадят от уреда преди зареждане
- Изтощените батерии трябва да се извадят от уреда и да се изхвърлят безопасно
- Ако уредът трябва да се съхранява без употреба продължително време, батериите трябва да бъдат извадени.
- Захранващите клеми не трябва да се свързват на късо

ЗАПАЗЕТЕ ТЕЗИ ИНСТРУКЦИИ

СПЕЦИФИКАЦИИ

Напрежение	56 V
Диаметър на перката на вентилатора	45,7 см
Настройки на скоростта на вентилатора	6 (включително "Turbo")
Макс. Обем въздух	7000 м ³ /ч
Макс. Скорост на въздуха	10,3 m/s
Обем на водната мъгла	I: 4,5 л/ч
	II: 11,4 л/ч
Препоръчителна температура на съхранение	-20°C ~ 70°C
Тегло (без акумулаторна батерия)	10,4 кг

ОПАКОВЪЧЕН ЛИСТ

ИМЕ НА ЧАСТ		БРОЙ
Замъгляващ вентилатор		1
Възел на колелото	Колело	2
	Капачка на главината	2
	Винт с шайба	2

Горна ръкохватка комплект	Горна ръкохватка	1
	Винт с шайба	4
Гаечен ключ		1
Резервна дюза		1
Ръководство на оператора		1

ОПИСАНИЕ

ЗАПОЗВАЙТЕ СЕ СЪС СВОЯ ВЕНТИЛАТОР ЗА МЪГЛА (Фиг. А и Фиг. А1)

1. Горна ръкохватка
2. Корпус на вентилатора
3. Копче за заключване на корпуса на вентилатора
4. Колело (x2)
5. Замъгляваща дюза (x4)
6. Телескопична ръкохватка
7. Отделение за батериите
8. Вход за въздух
9. Филтър
10. Контролен интерфейс
11. Бутон за електрозахранване
12. Индикатор на скоростта на въздуха
13. Индикатор TURBO
14. Бутон ТУРБО
15. Бутон за регулиране на скоростта на въздуха
16. Бутон за избор на режим на мъгла
17. Индикатор за замъгляване

МОНТАЖ

⚠ ПРЕДУПРЕЖДЕНИЕ: Ако някои от частите са повредени или липсват, не работете с този продукт, докато частите не се подменят. Използването на този продукт с повредени или липсващи части може да доведе до сериозно лично нараняване.

⚠ ПРЕДУПРЕЖДЕНИЕ: Не се опитвайте да модифицирате този продукт или да създадете аксесоари, които не се препоръчват за употреба с този вентилатор. Всяка такава промяна или модификация е злоупотреба и може да доведе до опасни условия с последици от възможни сериозни наранявания.

BG

⚠ ПРЕДУПРЕЖДЕНИЕ: Винаги изваждайте акумулаторната батерия от продукта, когато монтирате части, правите настройки, почиствате или когато продуктът не е в употреба. Снемането на акумулаторната батерия ще предотврати инцидентно стартиране, което може да предизвика сериозно нараняване.

СГЛОБЯВАНЕ НА КОЛЕЛАТА (Фиг. В)

1. Подравнете отвора на едно от колелата с оста на колелото на вентилатора и монтирайте колелото върху оста.
2. Прокарайте един от винтовете на колелото през отвора на колелото в оста на колелото, след което затегнете винта с предоставения гаечен ключ.
3. Щракнете капачката на главината върху колелото.
4. Сглобете другото колело, като следвате стъпки 1 - 3 по-горе.

ЗАКРЕПВАНЕ НА ГОРНАТА РЪКОХВАТКА (Фиг. С)

1. Подравнете четирите доставени винта с отворите в горната ръкохватка и отворите в корпуса на вентилатора.
2. Поставете винтовете и след това ги затегнете с предоставения гаечен ключ.

Фиг. В и Фиг. С съдържат описание на частите, виж по-долу:

В-1	Колело (2)	В-3	Винт с шайба (2)
В-2	Ос на колелото (2)	В-4	Капачка на главината (2)
С-1	Горна ръкохватка	С-2	Винт с шайба (4)
С-3	Отвор за винт		

ЕКСПЛОАТАЦИЯ

⚠ ПРЕДУПРЕЖДЕНИЕ: Не позволявайте рутината с този продукт да ви направи непредпазливи. Запомнете, че невнимание за малка част от секундата е достатъчна за да нанесете сериозно нараняване.

⚠ ПРЕДУПРЕЖДЕНИЕ: Не използвайте други приставки или аксесоари, които не са препоръчани от производителя на този продукт. Употребата на приставки или аксесоари, които не са препоръчани, може да доведе до сериозно нараняване.

Преди всяка употреба проверявайте целия продукт за повредени, липсващи или разхлабени части, като винтове, гайки, болтове, капачки и др. Затегнете сигурно всички закопчалки и капачки и не работете с този продукт, докато всички повредени или липсващи части не бъдат подменени.

⚠ ПРЕДУПРЕЖДЕНИЕ: Винаги изваждайте акумулаторната батерия от продукта, когато монтирате части, правите настройки, почиствате или когато той не е в употреба. Снемането на акумулаторната батерия ще предотврати инцидентно стартиране, което може да предизвика сериозно нараняване.

ПРИЛОЖЕНИЯ

Може да използвате този продукт за целите описани долу:

- Обща вентилация в повечето битови приложения
- Външно охлаждане, докато е свързан към водоизточник

РЕГУЛИРАНЕ НА ЪГЪЛА НА ВЕНТИЛАТОРА (Фиг. D)

1. Хванете горната ръкохватка, за да държите корпуса на вентилатора.
2. Завъртете копчето за заключване на корпуса на вентилатора ОБРАТНО НА ЧАСОВНИКОВАТА СТРЕЛКА, за да разхлабите регулируемия корпус на вентилатора.
3. Наклонете регулируемия корпус на вентилатора напред или назад до желания ъгъл. Вентилаторът може да се върти до 90° напред и до 135° назад.
4. Завъртете копчето за заключване ПО ЧАСОВНИКОВАТА СТРЕЛКА, за да фиксирате корпуса на вентилатора под желаните от вас ъгли.

ЗА ЗАКРЕПВАНЕ/СНЕМАНЕ НА АКУМУЛАТОРНАТА БАТЕРИЯ (Фиг. Е)

Използвайте единствено акумулаторни батерии EGO и зарядни устройства изброени във Фиг. А2.

Заредете напълно преди първата употреба.

За да закрепите

1. Издърпайте капака на отделението за батерията, за да го отворите.
2. Подравнете ребрата на батерията с монтажните жлебове и натиснете батерията надолу, докато чуete "щракване".

За да извадите

1. Натиснете бутона за освобождаване на батерията и вдигнете акумулаторната батерия навън.

2. Натиснете капака на отделението за батерията, за да го затворите. Уверете се, че е напълно затворен, за да предотвратите контакт на вода с батерията или влизане в порта на батерията.

Фиг. Е описание на частите, вижте по-долу

E-1	Бутон за освобождаване на батерията
E-2	Капак на отделението за батериите

ЗА ДА СТАРТИРАТЕ/СПРЕТЕ ВЕНТИЛАТОРА ЗА МЪГЛА

БЕЛЕЖКА: Първоначалната фабрична настройка за скоростта на въздуха е ниво 3. Вентилаторът ще запази последната използвана настройка на скоростта на въздуха и ще се върне към нея при рестартиране.

ВАЖНО: Турбо настройката няма да бъде запазена.

БЕЛЕЖКА: Настройката за мъгла няма да бъде запазена и по подразбиране ще бъде изключена при всяко включване на вентилатора.

БУТОН ЗА ЕЛЕКТРОЗАХРАНВАНЕ

- Натиснете за кратко бутона за електрозахранване, за да включите вентилатора.
- Натиснете отново за кратко бутона за електрозахранване, за да изключите вентилатора.

РЕГУЛИРАНЕ НА СКОРОСТТА НА ВЪЗДУХА

Нормална скорост на въздуха

- Натиснете бутона „+“, за да увеличите скоростта на въздуха и натиснете бутона „-“, за да намалите скоростта на въздуха. Има 5 нива на скорост.
- Индикаторът на скоростта на въздуха показва зелени светлини, съответстващи на текущите нива на скорост.

ТУРБО режим

- Натиснете бутона „TURBO“, индикаторът TURBO ще светне в зелено и вентилаторът ще премине в режим „TURBO“, т.е. най-високата скорост на въздуха.
- Когато сте в режим „TURBO“, натиснете отново бутона „TURBO“, индикаторът TURBO ще се изключи и вентилаторът ще възобнови предишната активна скорост на въздуха.
- Когато сте в режим „TURBO“, натиснете бутона „-“, индикаторът TURBO ще изгасне и вентилаторът ще превключи на ниво на скорост на въздуха 5.

ФУНКЦИЯ ЗА МЪГЛЯНЕ

ИЗПОЛЗВАНЕ НА ВЕНТИЛАТОРА С КОФА ЗА ВОДА (НЕ Е ВКЛЮЧЕНА) (Фиг. F)

⚠ ПРЕДУПРЕЖДЕНИЕ: Децата могат да паднат в кофи и да се удавят. Дръжте децата далеч от кофи, съдържащи дори малко количество течност.

БЕЛЕЖКА: Почиствайте кофата със сапун и вода преди всяка употреба.

1. Разкачете акумулаторната батерия.
2. Поставете кофата върху плоска, равна повърхност.
3. Добавете САМО чиста, студена вода в кофата. Не препълвайте.
4. Потопете филтърния край на всмукателната тръба надолу в кофата с вода.

БЕЛЕЖКА: Не огъвайте всмукателната тръба и винаги се уверявайте, че водата тече равномерно през тръбата.

5. Поставете батерията и затворете капака на отделението за батерии.
6. Натиснете бутона за захранване, за да включите вентилатора.
7. Натиснете бутона за избор на режим на мъгла, за да стартирате мъглата:
 - Натиснете веднъж бутона за избор на режим на мъгла и индикаторът за мъгла ще светне две зелени светлини, което показва „непрекъснат“ режим на мъгла - мъгла през цялото време без спиране.

БЕЛЕЖКА: Може да отнеме около 15 секунди, преди действително да видите мъглата да излиза от дюзите за мъгла за първи път. Това забавяне се дължи на времето, необходимо на водата да потече от кофата с вода към дюзите.

- Натиснете отново бутона за избор на режим на замъгляване и индикаторът за замъгляване ще светне една зелена светлина, която показва „прекъснат“ режим на замъгляване - замъгляване за 5s на всеки 10s.
- Когато мъглата е в периодичен режим, натиснете отново бутона за избор на режим на мъгла и светлинните индикатори за мъгла ще изгаснат и мъглата ще спре.

БЕЛЕЖКА: Когато операцията за произвеждане на мъгла приключи, издърпайте всмукателната тръба от водата и пуснете вентилатора в режим на мъгла, докато цялата вода се изчисти от тръбата. Това помага да се предотврати остатъчната вода в тръбата да причини неочаквано замъгляване, когато вентилаторът се стартира отново.

ИЗПОЛЗВАНЕ НА ВЕНТИЛАТОРА БЕЗ МЪГЛА

Ако желаете, този продукт може да се използва само като вентилатор, когато не е свързан към източник на вода. Когато не се използва, винаги поставяйте всмукателната тръба в мястото за съхранение (вижте раздел „СЪХРАНЕНИЕ“ в това ръководство), за да я предпазите от повреда и замърсяване.

ВЪТРЕШНА ЗАЩИТА

Когато функцията за мъгла е активирана, но не излиза водна мъгла:

- Водната помпа ще продължи да работи за кратко време и след това ще спре автоматично, за да защити вътрешната електроника.
- В зависимост от режима на замъгляване, индикаторът за замъгляване ще покаже една или две непрекъснати зелени светлини за кратко време и след това ще мига зелена(и) светлина(и) непрекъснато като предупреждение за оператора да:
 - a. Проверете дали всмукателната тръба е правилно потопена във вода.
 - b. Проверете дали дюзата(ите) за замъгляване е запушена и почистете според глава „ПОДДРЪЖКА НА ДЮЗИТЕ“.
 - c. Натиснете бутона за избор на режим на мъгла, за да рестартирате мъглата.

ПОДДРЪЖКА

⚠ ПРЕДУПРЕЖДЕНИЕ: Когато обслужвате, използвайте само идентични резервни части. Употребата на каквито и да е други части може да създаде опасност или да предизвика повреда на продукта. За да осигурите безопасността и надеждността, всички поправки трябва да се извършват от квалифициран сервизен техник.

⚠ ПРЕДУПРЕЖДЕНИЕ: За да избегнете нараняване, винаги сменяйте акумулаторната батерия от продукта, когато почиствате или извършвате поддръжка.

ОБЩА ПОДДРЪЖКА

Избягвайте употребата на разтворители, когато почиствате пластмасовите части. Повечето пластмасови части са уязвими на повреда от различни видове разтворители в търговската мрежа и може да се повредят от тяхната употреба. Използвайте чист плат, за премахване на мръсотия, прах, масло и т.н.

⚠ ПРЕДУПРЕЖДЕНИЕ: Никога не позволявайте спирачна течност, бензин, петролни продукти, проникващи масла и т.н. да влизат в контакт с пластмасовите части. Химикалите могат да повредят, отслабят или разрушат пластмасата, което може да доведе сериозно нараняване.

ПОДДРЪЖКА НА ДЮЗИТЕ (Фиг. G)

⚠ ПРЕДУПРЕЖДЕНИЕ: Уверете се, че цялата поддръжка на дюзата за мъгла се извършва правилно, за да предотвратите изтичане на вода. Течовете могат да доведат до хлъзгава повърхност, създаваща опасност от подхлъзване и падане или да причинят материални щети.

За почистване на дюзите

1. Изключете инструмента и извадете акумулаторната батерия.
2. Отстранете запушените месингови дюзи за мъгла, като ги завъртите в посока, ОБРАТНА НА ЧАСОВНИКОВАТА СТРЕЛКА.
3. Разглобете всяка засегната дюза на части.
4. **За да премахнете всякакви чужди частици,** които запушват или ограничават дюзите, промийте частите на дюзите с вода. **За да премахнете натрупването на котлен камък (минерал),** почистете частите на дюзата с бял оцет или друг препарат за премахване на котлен камък, ако е необходимо.
5. Сглобете отново дюзите.

БЕЛЕЖКА: За да предотвратите запушване, уверете се, че дюзата е сглобена точно както е показано на Фиг. G.

6. Поставете отново чистите дюзи.

ПОДДРЪЖКА НА ФИЛТЪРА (Фиг. H)

Периодично проверявайте филтъра в края на всмукателната тръба, за да се уверите, че е в добро състояние.

1. Издърпайте филтъра от всмукателната тръба.
2. Развийте филтъра на части и извадете мрежестия филтър.

3. Изплакнете мрежестия филтър и го сменете, ако е необходимо.
4. Сглобете отново филтъра и го свържете отново към всмукателната тръба.

За описание на частите на Фиг. Н вижте долу

Н-1	Филтър	Н-3	Мрежест филтър
Н-2	Горна част	Н-4	Долна част

ПОДДРЪЖКА НА КОРПУСА НА ВЕНТИЛАТОРА (Фиг. I1 и Фиг. I2)

⚠ ПРЕДУПРЕЖДЕНИЕ: Уверете се, че акумулаторните батерии са извадени от продукта, преди да свалите предпазителя.

1. Разхлабете и отстранете шестте винта, за да повдигнете ЧАСТИЧНО предната предпазна решетка от корпуса на вентилатора.

⚠ ВНИМАНИЕ: За да предотвратите повреда, не отстранявайте предната предпазна решетка напълно, без ПЪРВО да откачите всмукателната тръба.

2. Натиснете черната гума в края на гайката, за да издърпате всмукателната тръба.
3. Отстранете напълно предната предпазна решетка.
4. Завъртете заключващия капак на перката на вентилатора по посока на часовниковата стрелка, за да освободите перката на вентилатора от вала.
5. Отстранете перката на вентилатора.
6. Почистете перката на вентилатора и вътрешността на корпуса, ако е необходимо.
7. Сглобете ги в обратен ред и се уверете, че:
 - всмукателната тръба е правилно свързана към гайката.
 - всмукателната тръба е поставена правилно в слота на предпазната решетка.

Описание на частите на фиг. I1 и I2 вижте по-долу

I1-1	Предна предпазна решетка	I1-4	Черна гума
I1-2	Винт (6)	I1-5	Вход за въздух
I1-3	Гайка	I2-1	Капак за заключване
I2-2	Перка на вентилатор		

ТРАНСПОРТИРАНЕ

- Вентилаторът е оборудван с горна ръкохватка за носене на вентилатора при пътувания на къси разстояния или пресичане на неравна повърхност/терен.
- За транспортиране на дълги разстояния използвайте телескопичната ръкохватка, за да придвижвате върху колелата вентилатора. Използвайте горната ръкохватка, за да наклоните вентилатора и след това издърпайте телескопичната ръкохватка, докато чуете „щракване“. Когато телескопичната ръкохватка не се използва, натиснете я в инструмента (Фиг. J).

СЪХРАНЕНИЕ

1. Премахнете акумулаторната батерия.
2. Почистете добре вентилатора.
3. Изпразнете всмукателната тръба и филтъра.
4. Поставете всмукателната тръба в която и да е позиция за съхранение, разположена в задната част на вентилатора (Фиг. K1 и Фиг. K2).
5. Съхранявайте вентилатора на сухо място с добра вентилация извън достъпа на деца. Не съхранявайте вентилатора в близост или върху тор, бензин или други химикали.

ОПАЗВАНЕ НА ОКОЛНАТА СРЕДА



Не изхвърляйте електрическо оборудване, използвана батерия или зарядно устройство в домакинския отпадък! Отнесете продукта до упълномощена фирма за рециклиране и го предоставете за разделно събиране. Електрическите инструменти трябва да бъдат връщани в съоръжения за рециклиране съвместими с околната среда.

ОТСТРАНЯВАНЕ НА ПРОБЛЕМИ

ПРОБЛЕМ	ПРИЧИНА	РЕШЕНИЕ
Инструментът не работи.	<ul style="list-style-type: none"> ■ Нисък капацитет на батерията. ■ Батерията или вентилаторът са твърде горещи. 	<ul style="list-style-type: none"> ■ Заредете акумулаторната батерия. ■ Изключете вентилатора и оставете вентилатора и батерията да се охладят.
Няма водно замъгляване и индикаторът за замъгляване мига с две зелени светлини.	<ul style="list-style-type: none"> ■ Всмукателната тръба не засмуква вода, активирайки вътрешна защита на водната помпа вътре в инструмента. ■ Дюзата(ите) за мъгла се запушва по време на работа, активирайки вътрешната защита на водната помпа. 	<ul style="list-style-type: none"> ■ Проверете и се уверете, че има достатъчно вода в кофата и че всмукателната тръба е правилно потопена във водата. ■ Почистете дюзата(ите) в съответствие с глава „ПОДДРЪЖКА НА ДЮЗИТЕ“ и ги сглобете отново според инструкциите.
Изтичане на вода се случва след поддръжка на корпуса на вентилатора.	<ul style="list-style-type: none"> ■ Гайката, свързваща с всмукателната тръба, неочаквано се разхлабва. 	<ul style="list-style-type: none"> ■ Отворете корпуса на вентилатора съгласно глава „ПОДДРЪЖКА НА КОРПУСА НА ВЕНТИЛАТОРА“. Проверете и се уверете, че гайката е напълно затегната.

ГАРАНЦИЯ

ГАРАНЦИОННА ПОЛИТИКА EGO

Моля, посетете уебсайта egopowerplus.com за пълните срокове и условия по гаранционната политика на EGO.

PROČITAJTE UPUTE U CIJELOSTI!



PROČITAJTE PRIRUČNIK ZA RUKOVATELJE.

⚠ UPOZORENJE: Zbog sigurnosti i pouzdanosti, sve popravke treba obavljati kvalificirani servisni tehničar.

SIGURNOSNI SIMBOLI

Svrha simbola o sigurnosti je skretanje pozornosti na moguće opasnosti. Simboli o sigurnosti i njihova objašnjenja zahtijevaju vašu potpunu pozornost i razumijevanje. Simboli upozorenja ne isključuju opasnost sami po sebi. Upute i upozorenja koja pružaju nisu zamjena za propisne mjere za prevenciju nesreća.

⚠ UPOZORENJE: Prije korištenja ovog alata, s razumijevanjem pročitajte sve sigurnosne upute u ovom priručniku za rukovatelja, uključujući sve sigurnosne simbole kao što su „OPASNOST“, „UPOZORENJE“ i „OPREZ“ Zanimarivanje uputa navedenih u nastavku može rezultirati strujnim udarom, požarom i/ili teškim tjelesnim ozljedama.

	Simbol upozorenja	Mjere opreza koje se odnose na vašu sigurnost
	S razumijevanjem pročitajte korisnički priručnik	Radi smanjenja opasnosti od ozljeda, prije uporabe ovog proizvoda korisnik treba s razumijevanjem pročitati ovaj korisnički priručnik.
	Stanje kiše	Ne izlažite kiši.
	CE	Ovaj proizvod je u skladu s važećim direktivama EU.
	UKCA	Ovaj proizvod je u skladu s važećim zakonodavstvom UK.
	OEEO	Otpadni električni proizvodi ne smiju se odlagati s otpadom iz kućanstva. Odnosite ih u ovlaštenu centar za recikliranje.

IPX4	Stupanj zaštite od prodora vode	Zaštita od prskanja vode
	Istosmjerna struja	Vrsta ili karakteristike struje
V	Volt	Napon
cm	Centimetar	Duljina ili veličina
m/s	metara u sekundi	Brzina
L/h	Litra po satu	Protok
°C	Celzij	Temperatura
kg	kilogram	Masa

OPĆA SIGURNOSNA UPOZORENJA

⚠ UPOZORENJE: Radi smanjenja opasnosti od požara, strujnog udara ili ozljeda:

- **Upoznajte vaš ventilator za zamagljivanje. Pažljivo pročitajte priručnik s uputama. Upoznajte se s primjenama i ograničenjima ventilatora, kao i s karakterističnim potencijalnim opasnostima vezanima uz ovaj ventilator.** Pridržavanjem ovog propisa smanjit će se rizik od električnog udara, požara ili teških ozljeda.
- Ovaj uređaj nije predviđen da ga upotrebljavaju osobe (uključujući djecu) ograničenih tjelesnih, osjetilnih ili mentalnih sposobnosti ili nedostatnog iskustva i znanja, osim ako ih nadzire osoba odgovorna za njihovu sigurnost ili ako ih je uputila u način upotrebe uređaja.
- Djeca moraju biti pod nadzorom kako se ne bi igrala uređajem.

SIGURNOST RADNOG PODRUČJA

- **Ventilatore ne upotrebljavajte u eksplozivnim okruženjima, primjerice u prisutnosti zapaljivih tekućina, plinova ili prašine.**
- **Udaljite djecu i promatrače za vrijeme rada s uređajem.** Ometanja mogu rezultirati gubitkom kontrole nad alatom.
- **Budite oprezni pri upotrebi u vjetrovitim uvjetima.** Vjetrovi mogu odnijeti maglu u električno ožičenje ili uređaje.
- **Uređaj ne izlažite kiši ili mokrim uvjetima.** Prodiranje vode u uređaj povećat će rizik od električnog udara.

HR

OSOBNA SIGURNOST

- Budite oprezni, gledajte što radite i vodite se načelima zdravog razuma kada radite s uređajem. Nemojte koristiti uređaj dok ste umorni, uznemireni ili pod utjecajem droga, alkohola ili lijekova. Trenutak nepažnje tijekom rada s uređajem može dovesti do teške tjelesne ozljede.
- **Spriječite nenamjerno pokretanje.** Prije povezivanja uređaja na baterijski modul, podizanja ili njegovog nošenja, provjerite nalazi li se sklopka u isključenom položaju. Nošenje uređaja s prstom na sklopci ili uključivanje napajanja uređaja koji imaju uključenu sklopku izaziva nesreće.
- **Prije uključivanja uređaja, uklonite sve ključeve za podešavanje ili stezne ključeve.** Ako se ključ za stezanje ili za podešavanje ostavi na rotacijskom dijelu uređaja, to može rezultirati tjelesnim ozljedama.
- **Nemojte se naginjati preko alata.** Cijelo vrijeme održavajte propisno držanje i ravnotežu. To će omogućiti bolju kontrolu nad uređajem u neočekivanim situacijama.
- **Obucite se prikladno.** Ne nosite široku odjeću ili nakit. Kosu i odjeću držite dalje od pokretnih dijelova. Široka odjeća, nakit ili duga kosa mogu se zahvatiti u pokretne dijelove.
- **Provjerite jesu li svi priključci čvrsto stegnuti prije uključivanja uređaja.**
- **Nemojte dopustiti da vas poznavanje alata stečeno čestom upotrebom učini samodopadnim te da zanemarite sigurna načela rada s uređajima.** Nepažljiv rad može rezultirati teškim ozljedama u djeliću sekunde.

UPOTREBA I ODRŽAVANJE BATERIJE

- **Ne upotrebljavajte uređaj ako ga sklopkom ne možete uključiti i isključiti.** Svaki uređaj koji ne možete sklopkom uključiti i isključiti opasan je i mora se popraviti.
- **Odvojite baterijski modul iz uređaja prije nego što izvršite bilo kakve prilagodbe, mijenjanje pribora ili spremanje uređaja.** Takve preventivne mjere smanjuju opasnost od nehotičnog pokretanja uređaja.
- **Neaktivan uređaj čuvajte izvan dohvata djece i ne dopustite osobama koje nisu upoznate s uređajem ili ovim uputama da upravljaju uređajem.** Uređaji su opasni u rukama neobučениh korisnika.
- **Održavajte električne alate i pribor.** Provjerite da pokretni dijelovi nisu necentrirani ili zaglavljani, da nema polomljenih dijelova i drugih stanja koja

moгу utjecati na rad uređaja. Ako je uređaj oštećen, popravite ga prije uporabe. Mnoge nezgode su nastale upravo zbog slabog održavanja uređaja.

- **Uređaj i pribor upotrebljavajte u skladu s ovim uputama, uzimajući u obzir radne uvjete i vrstu rada koji će te obavljati.** Upotreba uređaja za radove za koje nije namijenjen može rezultirati opasnim situacijama.
- **Rukohvate i površinu rukohvata održavajte suhim, čistim i očišćenim od ulja i masti.** Skliski rukohvati i skliske površine rukohvata onemogućuju sigurno rukovanje i upravljanje alatom u neočekivanim situacijama.

⚠ UPOZORENJE: Da biste smanjili rizik od požara ili električnog udara, ventilator nemojte upotrebljavati s elektroničkim uređajem za regulaciju brzine vrtnje.

UPOTREBA I NJEGA BATERIJSKOG ALATA

- **Punjenje obavljajte samo s punjačem kojeg je naveo proizvođač.** Punjač koji je prikladan za jedan tip baterijskog modula može izazvati rizik od požara ako ga se upotrebljava s drugim baterijskim modulom.
- **Uređaj upotrebljavajte samo s predviđenim baterijskim modulima.** Upotreba drugih baterijskih modula može izazvati rizik od ozljeda i požara.
- **Kad se baterijski modul ne upotrebljava, držite ga podalje od drugih metalnih predmeta poput spajalica za papir, kovanica, ključeva, čavala, vijaka ili drugih malih metalnih predmeta koji mogu međusobno spojiti kontakte.** Kratko spajanje baterijskih kontakata može prouzročiti opekline ili požar.
- **U slučaju neprimjerene uporabe, baterija može izbaciti tekućinu; izbjegavajte kontakt.** Ako slučajno dođe do doticaja, mjesta doticaja isperite vodom. Ako tekućina dođe u doticaj s očima, dodatno potražite pomoć liječnika. Tekućina koju izbací baterija može prouzročiti nadražaj kože ili opekline.
- **Ne upotrebljavajte baterijski modul ili uređaj koji je oštećen ili preinačen.** Oštećene ili preinačene baterije mogu pokazati nepredvidivo ponašanje koje može rezultirati požarom, eksplozijom ili opasnošću od ozljeda!
- **Baterijski modul i uređaj ne izvrgavajte vatri ili previsokoj temperaturi.** Izlaganje vatri ili temperaturi višoj od 130°C može prouzročiti eksploziju.
- **Pridržavajte se svih uputa za punjenje, a baterijski modul ili uređaj nemojte puniti izvan raspona temperature propisanog u uputama.** Nepropisno punjenje ili punjenje pri temperaturama izvan okvira određenog raspona može oštetiti bateriju i povećati opasnost od požara.

SERVISIRANJE

- **Servisiranje uređaja povjerite kvalificiranom osoblju za popravak koje upotrebljava samo identične zamjenske dijelove.** Time će se osigurati održavanje sigurnosti uređaja.
- **Ne servisirajte oštećene baterijske module.** Servisiranje baterijskog modula smiju obavljati samo proizvođač ili ovlašteni serviseri.

UPUTE ZA SIGURAN RAD AKUMULATORSKOG VENTILATORA ZA ZAMAGLJIVANJE

- **Ventilator se ne smije upotrebljavati kao igračka.** Potreban je strogi nadzor ako ga upotrebljavaju djeca ili ako se upotrebljava u blizini djece.
- **Djeca mogu pasti u kante i utopiti se.** Držite djecu dalje od kanti s čač i malom količinom tekućine.
- **Koristite SAMO čistu, hladnu vodu.**
- **Ne koristite ovaj ventilator za zamaglivanje za prskanje pesticida, tekućih gnojiva, kemikalija ili bilo koje tekućine osim čiste vode.** Raspršivanje takvih tvari može rezultirati teškim ozljedama ili oboljenjem rukovatelja i drugih prisutnih osoba.
- **Ne usmjeravajte maglu ili vodu prema električnim ožičenjima ili uređajima.**
- **Provjerite da je poklopac odjeljka za bateriju potpuno zatvoren kako biste spriječili da voda dođe u kontakt s baterijom ili uđe u priključak.**
- **Uređaj i njegovu dršku održavajte suhim, čistim i bez ulja i masti. Za čišćenje uvijek upotrebljavajte čistu krpu. Za čišćenje ventilatora nemojte upotrebljavati kočione tekućine, benzin, proizvode na bazi nafte ili jaka otapala.** Pridržavanjem ovog pravila smanjit će se opasnost od gubitka kontrole nad uređajem i trošenje plastičnih dijelova kućišta.
- **Baterije mogu eksplodirati u prisutnosti izvora paljenja poput pomoćnog plamenika. Radi smanjenja opasnosti od ozbiljne tjelesne ozljede, baterijski proizvod nemojte upotrebljavati u prisutnosti otvorenog plamena. Iz baterije mogu uslijed eksplozije izletjeti krotine i kemijske tvari.** U slučaju izlaganja, zahvaćena mjesta odmah isperite vodom.
- **Sačuvajte ove upute.** Uputama se koristite često i upotrebljavajte ih za upućivanje drugih osoba koje mogu upotrebljavati ovaj ventilator. Ako ovaj ventilator nekom posudite, priložite i ove upute radi sprečavanja nepropisne uporabe proizvoda i mogućih ozljeda.
- **Imajte na umu da visoka razina vlage može potaknuti rast bioloških organizama u okolišu.**
- **Ne dopustite da područje oko ventilatora za zamaglivanje postane vlažno ili mokro.** Ako dođe do vlage, okrenite izlaz ventilatora za zamaglivanje. Ako se izlazni volumen ventilatora za zamaglivanje ne može smanjiti, povremeno koristite ovlaživač zraka. Nemojte dopustiti da upijajući materijali, poput tepiha, tapeta, zavjesa ili stolnjaka postanu vlažni.
- **Ne ostavljajte vodu u spremniku kada se aparat ne koristi.**
- **Ispraznite i očistite ventilator za zamaglivanje prije skladištenja. Očistite ovlaživač zraka prije sljedeće uporabe.**

⚠ POZORENJE: Mikroorganizmi koji mogu biti prisutni u vodi ili okolišu u kojem se aparat koristi ili skladišti, mogu rasti u spremniku za vodu i puhati u zraku uzrokujući vrlo ozbiljne zdravstvene rizike kada se voda ne obnavlja i spremnik se ne čisti pravilno svaka 3 dana.

- Punjive baterije moraju se izvaditi iz uređaja prije punjenja
- Ispraznjene baterije treba izvaditi iz aparata i sigurno zbrinuti
- Ako se aparat treba uskladištiti i neće se upotrebljavati duže vrijeme, baterije se moraju ukloniti iz njega
- Priključci za napajanje ne smiju se kratko spojati.

SACUVAJTE OVE UPUTE

Napon	56 V
Promjer lopatice ventilatora	45,7 cm
Postavke brzine ventilatora	6 (uključujući "Turbo")
Maks. Volumen zraka	7000 m ³ /h
Maks. Brzina zraka	10.3 m/s
Volumen vode za zamaglivanje	I: 4,5 l/h II: 11,4 l/h
Preporučena temperatura skladištenja	20°C - 70°C
Težina (bez baterijskog modula)	10,4 kg

SADRŽAJ PAKIRANJA

NAZIV DIJELA		KOLIČINA
Ventilator za zamagljivanje		1
Sklop kotača	Kotač	2
	Poklopac glavine	2
	Vijak s podloškom	2
Sklop gornje ručke	Gornja ručka	1
	Vijak s podloškom	4
Ključ		1
Rezervna mlaznica		1
Priručnik za rukovatelje		1

OPIS

UPOZNAJTE VAŠ VENTILATOR ZA ZAMAGLJIVANJE (SI A i SI. A1)

- Gornja ručka
- Kućište ventilatora
- Gumb za zaključavanje kućišta ventilatora
- Kotač (x2)
- Mlaznica za zamagljivanje (x4)
- Teleskopska ručka
- Baterijski pretnac
- Usisna cijev
- Filtar
- Upravljačko sučelje
- Gumb napajanja
- Indikator brzine zraka
- TURBO Indikator
- TURBO gumb
- Gumb za podešavanje brzine zraka
- Gumb za odabir načina zamagljivanja
- Indikator zamagljivanja

HR

SASTAVLJANJE

⚠ UPOZORENJE: Ako je bilo koji dio oštećen ili nedostaje, nemojte upotrebljavati proizvod dok se ne zamijene dijelovi. Upotreba proizvoda na kojemu nedostaju dijelovi ili su oštećeni, može dovesti do ozbiljne tjelesne ozljede.

⚠ UPOZORENJE: Ne pokušavajte obavljati preinake na ovom proizvodu ili raditi pribor koji nije preporučen za uporabu s ovim ventilatorom. Sve takve izmjene ili preinake predstavljaju nepropisnu uporabu i mogu rezultirati opasnim stanjima koja mogu dovesti do mogućih teških tjelesnih ozljeda.

⚠ UPOZORENJE: Pri sastavljanju dijelova, obavljanju podešavanja, čišćenju ili kada ne upotrebljavati proizvod, baterijski modul izvadite iz proizvoda. Uklanjanjem baterijskog modula uklanjate mogućnost nehotičnog pokretanja uslijed kojeg mogu nastati teške tjelesne ozljede.

MONTAŽA KOTAČA (SI. B)

- Centrirajte rupu jednog od kotača s osovinom kotača ventilatora i postavite kotač na osovinu.
- Provucite jedan od vijaka kotača kroz rupu kotača u osovinu kotača, a zatim zategnite vijak s isporučenim ključem.
- Pričvrstite kapicu glavine na kotač.
- Montirajte drugi kotač slijedeći gore navedene korake 1 - 3.

PRIČVRŠĆIVANJE GORNJE RUČKE (SI. C)

- Centrirajte četiri isporučena vijka s rupama u gornjoj ručki i rupama na kućištu ventilatora.
- Umetnite vijke i zatim ih zategnite isporučenim ključem.

Opis dijelova na Sl. B i Sl. C pogledajte u nastavku:

B-1	Kotač (2)	B-3	Vijak s podloškom (2)
B-2	Osovina kotača (2)	B-4	Poklopac glavine (2)
C-1	Gornja ručka	C-2	Vijak s podloškom (4)
C-3	Rupa za vijak		

RAD

⚠ UPOZORENJE: Nemojte biti nepažljivi zato što ste upoznati s načinom rada proizvoda. Zapamtite da je samo jedan djelić sekunde nepažnje dovoljan za nastanak tjelesne ozljede.

⚠ UPOZORENJE: Nemojte upotrebljavati priključke ili pribor koje nije preporučio proizvođač ovog proizvoda. Upotreba nastavaka ili pribora koji nije preporučen, može dovesti do ozbiljnih tjelesnih ozljeda.

Prije svake upotrebe, pregledajte da na stroju nema oštećenih, nedostajućih ili olabavljenih dijelova kao što su vijci, matice i poklopci. Dobro pritegnite sve elemente za pričvršćenje i kapice i ne upotrebljavajte proizvod dok se svi dijelovi koji nedostaju ili oštećeni dijelovi, ne zamijene.

⚠ UPOZORENJE: Pri sastavljanju dijelova, obavljanju podešavanja, čišćenju ili kada ne koristite proizvod, baterijski modul izvadite iz proizvoda. Uklanjanjem baterijskog modula uklanjate mogućnost nehotičnog pokretanja uslijed kojeg mogu nastati teške tjelesne ozljede.

PRIMJENE

Proizvod možete koristiti za svrhe navedene u nastavku:

- Opća ventilacija u većini primjena u kućanstvu
- Vanjsko hlađenje dok je spojeno na izvor vode

PODEŠAVANJE KUTA VENTILATORA (SI. D)

1. Uхватите gornju ručku kako biste držali kućište ventilatora.
2. Zakrenite gumb za zaključavanje kućišta ventilatora ulijevo kako biste otpustili podesivo kućište ventilatora.
3. Nagnite podesivo kućište ventilatora prema naprijed ili natrag prema željenom kutu. Ventilator se može zakretati do 90° naprijed do 135° unatrag.
4. Okrećite gumb za zaključavanje UDESNO kako biste učvrstili kućište ventilatora pod željenim kutom.

PRICHRŠČIVANJE/ODVAJANJE BATERIJSKOG MODULA (SI. E)

Upotrebljavajte samo s baterijskim modulima i punjačima tvrtke EGO navedenima na sl. A2.

Baterijski modul potpuno napunite prije prve upotrebe.

Postavljanje

1. Povucite poklopac pretinca za baterije da ga otvorite.
2. Poravnajte rebra baterije s utorima za postavljanje i utisnite baterijski modul prema dolje sve dok ne začujete "klik".

Uklanjanje

1. Utisnite gumb za oslobađanje baterije te podignite i izvucite baterijski modul.
2. Gurnite poklopac odjeljka za bateriju da biste ga zatvorili. Uvjerite se da je potpuno zatvoren kako biste spriječili da voda dođe u kontakt s baterijom ili uđe u priključak za bateriju.

Opis dijelova na sl. E pogledajte u nastavku

E-1	Gumb za oslobađanje baterije
E-2	Poklopac pretinca za baterije

POKRETANJE/ZAUSTAVLJANJE VENTILATORA ZA ZAMAGLJIVANJE

NAPOMENA: Početna tvornička postavka brzine zraka je razina 3. Ventilator će spremiti posljednju korištenu postavku brzine zraka i vratit će se na nju nakon ponovnog pokretanja.

VAŽNO: Turbo postavka neće biti spremjena.

NAPOMENA: Postavka zamagljivanja neće se spremati, a prema zadanim postavkama bit će isključena svaki put kada se ventilator uključi.

GUMB NAPAJANJA

- Kratko pritisnite gumb napajanja da biste uključili ventilator.
- Ponovno kratko pritisnite gumb napajanja da biste isključili ventilator.

PRILAGODBA BRZINE ZRAKA

Normalna brzina zraka

- Pritisnite gumb "+" da biste povećali brzinu zraka i pritisnite gumb "-" da biste smanjili brzinu zraka. Postoji 5 razina brzine.
- Indikator brzine zraka prikazuje zelena svjetla koja odgovaraju trenutnim razinama brzine.

TURBO način rada

- Pritisnite gumb "TURBO", indikator TURBO svijetlit će zeleno i ventilator će se prebaciti u način rada "TURBO", tj. na najveću brzinu zraka.
- Kada je u "TURBO" načinu rada, ponovno pritisnite tipku "TURBO", indikator TURBO će se isključiti i ventilator će nastaviti rad s prethodno aktivnom brzinom zraka.
- Kada je u "TURBO" načinu rada, pritisnite gumb "-", indikator TURBO će se isključiti i ventilator će se prebaciti na razinu brzine zraka 5.

FUNKCIJA ZA ZAMAGLJIVANJE

UPOTREBA VENTILATORA S KANTOM ZA VODU (NE ISPORUČUJE SE) (Slika F)

⚠ UPOZORENJE: Djeca mogu pasti u kante i utopiti se. Držite djecu dalje od kanti koje sadrže čak i malu količinu tekućine.

NAPOMENA: Očistite kantu sapunom i vodom prije svake uporabe.

1. Odvojite baterijski modul.
2. Stavite kantu na ravnu, vodoravnu površinu.
3. U kantu dodajte SAMO čistu, hladnu vodu. Nemojte prepuniti.
4. Uronite kraj usisne cijevi s filtrom u kantu za s vodom.

NAPOMENA: Nemojte savijati usisnu cijev i pazite da voda nesmetano teče kroz cijev.

5. Ugradite baterijski modul i zatvorite poklopac odjeljka za bateriju.
6. Pritisnite gumb napajanja da biste uključili ventilator.
7. Pritisnite gumb za odabir načina rada za zamagljivanje da biste započeli zamagljivanje:

- Jednom pritisnite gumb za odabir načina rada za zamagljivanje i indikator zamagljivanja uključit će dva zelena svjetla koja označavaju način "kontinuiranog" zamagljivanja - stalno zamagljivanje bez zaustavljanja.

NAPOMENA: Može potrajati oko 15 sekundi prije nego što prvi put vidite maglu koja izlazi iz mlaznica za zamagljivanje. Ovo kašnjenje je zbog vremena potrebnog da voda doteče iz kante za vodu do mlaznica.

- Ponovno pritisnite gumb za odabir načina rada za zamagljivanje i indikator zamagljivanja uključit će jedno zeleno svjetlo koje označava način "isprekidanog" zamagljivanja - zamagljivanje 5 s svakih 10 s.
- Kada je zamagljivanje u isprekidanom načinu rada, ponovno pritisnite gumb za odabir načina zamagljivanja i svjetla indikatora zamagljivanja će se isključiti i zamagljivanje će se zaustaviti.

NAPOMENA: Kada je postupak zamagljivanja završen, izvucite usisnu cijev iz vode i pokrenite ventilator u načinu rada za zamagljivanje dok se ne potroši sva voda iz cijevi. Time ćete spriječiti da zaostala voda u cijevi izazove neočekivano zamagljivanje kada se ventilator ponovno pokrene.

UPOTREBA VENTILATORA BEZ ZAMAGLJIVANJA

Ako želite, ovaj proizvod se može upotrebljavati samo kao ventilator kada nije spojen na izvor vode. Kada se ne upotrebljava, usisnu cijev stavite u spremište (pogledajte odjeljak "SKLADIŠTENJE" u ovom priručniku) kako biste je zaštitili od oštećenja i onečišćenja.

UNUTARNA ZAŠTITA

Kada se aktivira funkcija zamagljivanja, ali ne izlazi vodena magla:

- Crpka za vodu nastavit će raditi kratko vrijeme, a zatim će se automatski zaustaviti kako bi zaštitila unutarnju elektroniku.
- Ovisno o načinu zamagljivanja, indikator zamagljivanja kratko će prikazati jedno ili dva stalna zelena svjetla, a zatim će neprekidno treptati zeleno svjetlo kao upozorenje rukovatelju da:
 - a. provjeri je li usisna cijev pravilno uronjena u vodu.
 - b. provjeri da mlaznice za zamagljivanje nisu začepljene i očisti ih u skladu s poglavljem "ODRŽAVANJE MLAZNICA".
 - c. pritisne gumb za odabir načina zamagljivanja radi ponovnog pokretanja zamagljivanja.

ODRŽAVANJE

⚠ POZORENJE: Pri servisiranju koristite samo identične zamjenske dijelove. Korištenje drugih dijelova može izazvati opasnost ili prouzročiti oštećenje proizvoda. Radi sigurnosti i pouzdanosti sve popravke treba obavljati kvalificirani servisni tehničar.

⚠ UPOZORENJE: Radi izbjegavanja teških tjelesnih ozljeda, pri čišćenju ili obavljanju podešavanja komplet baterija uvijek izvadite iz proizvoda.

OPĆE ODRŽAVANJE

Pri čišćenju plastičnih dijelova, izbjegavajte upotrebu otapala. Većina plastičnih materijala podložna je oštećenju od različitih vrsta komercijalnih otapala i mogu se oštetiti u slučaju njihove upotrebe. Za uklanjanje nečistoće, prašine, ulja, masti i sl. koristite čiste krpe.

⚠ UPOZORENJE: Nemojte dopustiti da kočione tekućine, benzin, proizvodi na bazi nafte, penetrirajuća ulja i sl., dođu u doticaj s plastičnim dijelovima. Kemijska sredstva mogu oštetiti, oslabiti ili uništiti plastiku što može rezultirati teškim tjelesnim ozljedama.

ODRŽAVANJE MLAZNICE (Slika G)

⚠ UPOZORENJE: Pazite da se svi radovi održavanja mlaznica za zamagljivanje obave pravilno kako bi se spriječilo curenje vode. Curenje može rezultirati skliskom površinom koja predstavlja opasnost od sklizanja i pada ili može uzrokovati materijalnu štetu.

Pročišćavanje mlaznica

1. Isključite ventilator i izvadite baterijski modul.
2. Uklonite začepljene mjedene mlaznice za zamagljivanje takoda ih okrenete ULIJEVO.
3. Rastavite svaku zahvaćenu mlaznicu na dijelove.

4. **Da biste uklonili sve strane čestice koje začepljuju** ili ograničavaju mlaznice, isperite dijelove mlaznice vodom. **Da biste uklonili nakupljanje kamenca (minerala)**, po potrebi očistite dijelove mlaznice bijelim octom ili drugim sredstvom za uklanjanje kamenca.
5. Ponovno sastavite mlaznice.

NAPOMENA: Da biste spriječili začepljenje, pazite da mlaznicu sastavite točno onako kako je prikazano na slici G.

6. Ponovno montirajte čiste mlaznice.

ODRŽAVANJE FILTRA (Slika H)

Redovito pregledajte filtar na kraju usisne cijevi kako biste bili sigurni da je u dobrom stanju.

1. Izvucite filtar iz usisne cijevi.
2. Odvijte i rastavite filtar na dijelove i izvadite spužvastu mrežicu.
3. Isperite spužvastu mrežicu ili ju po potrebi zamijenite.
4. Ponovno sastavite filtar i vratite u usisnu cijev.

Opis dijelova na slici H pogledajte u nastavku:

H-1	Filtar	H-3	Spužvasta mrežica
H-2	Gornji dio	H-4	Donji dio

ODRŽAVANJE VENTILATORA (SI. I1 i SI. I2)

⚠ UPOZORENJE: Uklonite baterijske module iz proizvoda prije uklanjanja štitnika.

1. Otpustite i uklonite šest vijaka kako biste **DJELOMIČNO** podigli prednji rešetkasti štitnik s kućišta ventilatora.

⚠ OPREZ! Da biste spriječili oštećenje, nemojte potpuno uklanjati prednji rešetkasti štitnik ako **PRVO** niste odvojili usisnu cijev.

2. Pritisnite crnu gumu na kraju matice kako biste izvukli usisnu cijev.
3. Potpuno uklonite prednji rešetkasti štitnik.
4. Zakrenite poklopac brave lopatice ventilatora udesno kako biste oslobodili lopaticu ventilatora od osovine
5. Uklonite lopaticu ventilatora.
6. Po potrebi očistite lopaticu ventilatora i unutrašnjost kućišta.
7. Ponovno ih montirajte obrnutim redom i pazite na sljedeće:

- usisna cijev treba biti pravilno spojena na maticu.

- usisna cijev pravilno je postavljena u utor na rešetkastom štitniku.

Opis dijelova na sl. I1 i I2 pogledajte u nastavku

I1-1	Prednji rešetkasti štitnik	I1-4	Crna guma
I1-2	Vijak (6)	I1-5	Usisna cijev
I1-3	Matica	I2-1	Poklopac brave
I2-2	Lopatica ventilatora		

TRANSPORT

- Ventilator je opremljen gornjom ručkom za nošenje ventilatora na kratkim udaljenostima ili prelazak preko neravne površine/terena.
- Za transport na velike udaljenosti upotrijebite teleskopsku ručku za okretanje ventilatora. Pomoću gornje ručke nagnite ventilator, a zatim izvlačite teleskopsku ručku dok ne čujete "klik". Kada se teleskopska ručka ne upotrebljava, gurnite je u alat (Sl. J).

ČUVANJE

1. Uklonite baterijski modul.
2. Dobro očistite ventilator.
3. Ispraznite usisnu cijev i filtar.
4. Postavite usisnu cijev u bilo koji položaj za pohranu koji se nalazi na stražnjoj strani ventilatora (Sl. K1 i Sl. K2).
5. Ventilator čuvajte na suhom, dobro prozračenom mjestu koje je izvan dohvata djece. Ventilator nemojte čuvati na ili u blizini gnojiva, benzina ili drugih kemijskih tvari.

ZAŠTITA OKOLIŠA



Električnu opremu, iskorištenu bateriju i punjač ne odlažite u otpad iz kućanstva! Ovaj proizvod odnesite u ovlaštenu centar za reciklažu i time omogućite odvojeno sakupljanje. Električne alate potrebno je vratiti u ekološki prihvatljiv pogon za reciklažu.

RJEŠAVANJE PROBLEMA

PROBLEM	UZROK	RJEŠENJE
Alat ne radi.	<ul style="list-style-type: none">■ Nizak kapacitet baterijskog modula.■ Baterijski modul ili ventilator su prevruci.	<ul style="list-style-type: none">■ Napunite baterijski modul.■ Isključite ventilator i ostavite ventilator i bateriju da se ohlade.
Nema zamagljivanja vodom, a indikator zamagljivanja trepće s dva zelena svjetla.	<ul style="list-style-type: none">■ Usisna cijev ne usisava vodu aktivirajući unutarnju zaštitu crpke za vodu unutar alata.■ Mlaznice za zamagljivanje začepile su se tijekom rada aktivirajući unutarnju zaštitu crpke za vodu.	<ul style="list-style-type: none">■ Provjerite i pazite da ima dovoljno vode u kanti i da je usisna cijev pravilno uronjena u vodu.■ Očistite mlaznice u skladu s poglavljem "ODRŽAVANJE MJEZNICA" i ponovno ih sastavite prema uputama.
Curenje vode događa se nakon održavanja kućišta ventilatora.	<ul style="list-style-type: none">■ Matica koja je spojena s usisnom cijevi neočekivano se otpustila.	<ul style="list-style-type: none">■ Otvorite kućište ventilatora u skladu s poglavljem "ODRŽAVANJE KUĆIŠTA VENTILATORA". Pregledajte i provjerite je li matica potpuno zategnuta.

JAMSTVO

PRAVILA U VEZI JAMSTVA PROIZVOĐAČA EGO

Cjelokupne uvjete i odredbe jamstvene politike proizvođača EGO potražite na internetskoj stranici egopowerplus.com.



ნაიკითხეთ ყველა ინსტრუქცია!



გაეცანით მომხმარებლის სახელმძღვანელოს

▲ გაფრთხილება: მოწყობილობის უსაფრთხოდ და გამართულად მუშაობისთვის საჭიროა მისი ყველა რეკონტი და ნაწილის შეცვლა მოხდეს კვალიფიციური სერვისის ტექნიკოსის მიერ.

უსაფრთხოების სიმბოლოები

უსაფრთხოების სიმბოლოების მიზანია ყურადღების გამახვილება შესაძლო საფრთხეებზე. ყურადღებით გაეცანით უსაფრთხოების სიმბოლოებს და მათ შესაბამის განმარტებებს. საშიშროების აღმნიშვნელი სიმბოლოები თავისთავად არ ანეიტრალებს რაიმე საფრთხის არსებობის რისკს. მათ მიერ მოწოდებული მითითებები და გაფრთხილებები არ არიან შემთხვევის თავიდან აცილების სწორი პროცედურის შემცველები.

▲ გაფრთხილება: მოწყობილობის გამოყენებამდე დაწვრილებით გაეცანით და შეისწავლეთ ყველა უსაფრთხოების წესი ოპერატორის ამ ინსტრუქციაში, მათ შორის ყველა უსაფრთხოების წესის სიმბოლო როგორცაა „საშიშროება“, „გაფრთხილება“ და „ყურადღება“. ქვემოთ ჩამოთვლილი მითითებების შეუსრულებლობამ შეიძლება გამოიწვიოს დენის დარტყმა, ცეცხლის გაჩენა და/ან სხეულის სერიოზული დაზიანება.

	სიგნალი საფრთხის შესახებ	გამართხილებული ზომები, რომლებიც მოიცავენ თქვენს უსაფრთხოებას
	წაკითხეთ და გაეცანით მომხმარებლის სახელმძღვანელოს	დაზიანების რისკის შესამცირებლად, მომხმარებელმა უნდა წაკითხოს და გაიგოს მოწყობილობის მუშაობის ინსტრუქცია, მის გამოყენებამდე.

	წვიმაში მდგომარეობა	არ მოათავსოთ მოწყობილობა წვიმის ქვეშ.
	CE	მოწყობილობა შეესაბამება EC-ის მოქმედ რეგულაციებს.
	UKCA	აღნიშნული პროდუქტი აკმაყოფილებს გაერთიანებული სამეფოს კანონმდებლობით დადგენილ მოთხოვნებს.
	WEEE	პროდუქტის ნარჩენები არ გადაყაროთ საყოფაცხოვრებო ნარჩენებთან ერთად. წაიღეთ შესაბამის გადამამუშავებელ საწარმოში.
	წყლის შეღწევისგან დაცვა	დაცვა წყლის მცირე ოდენობით გადანახმის შემთხვევაში
	მუდმივი დენი	დენის ტიპი ან სახე
	ვოლტი	მაგვა
	სანტიმეტრი	სიგრძე ან ზომა
	მეტრი წამში	სიჩქარე
	ლიტრი საათში	ნაკადის სიჩქარე
	ცელსიუსი	ტემპერატურა
	კილოგრამი	წონა

ზოგადი გაფრთხილებები უსაფრთხოების შესახებ

▲ გაფრთხილება: იმისათვის რომ შეამციროთ ხანძრის, ელექტროდენის დარტყმის ან ტრავმის რისკი:

- გაიცანით თქვენი წვეთების მაფრქვეველი ვენტილატორი. ყურადღებით წაკითხეთ მომხმარებლის ინსტრუქცია. გაეცანით ვენტილატორის გამოყენების წესს და მის შეზღუდვებს, ასევე ვენტილატორთან დაკავშირებულ შესაძლო საფრთხეებს.

KA

ამ წესის მიღწევება შეამცირებს ელექტრული შოკის, ხანძრის და სერიოზული ზიანის მიღების რისკს.

- მოწყობილობა არ არის განკუთვნილი იმისათვის რომ, შეხლულდული ფიზიკური, სენსორული ან მეტალური შესაძლებლობის მქონე პირებმა (ბავშვების ჩათვლით), ან ცოდნისა და გამოცდილების არმქონე პირებმა ისარგებლონ მისით, გარდა იმ შემთხვევებისა როცა მათ მიიღეს შესაბამისი ზედამხედველობა და ინსტრუქტაჟი მოწყობილობის გამოყენების თაობაზე მათ უსაფრთხოებაზე პასუხისმგებელი პირისგან.
- ბავშვები უნდა იყვნენ ზედამხედველობის ქვეშ, რათა მათ არ ითამაშონ მოწყობილობით.

სამუშაო სივრცის უსაფრთხოება

- არ ამუშაოთ ვენტილატორი ჰაერში ფეთქებადი საშუალებების არსებობისას, როგორცაა აალებადი სითხეები, აირები ან მტვერი.
- მოწყობილობით სარგებლობისას მთავრად მას ბავშვები და გამვლელები. ყურადღების გაფანტვას შეუძლია გამოიწვიოს მოწყობილობაზე კონტროლის დაკარგვა.
- გამოიჩინეთ სიფრთხილე ქარიან პირობებში გამოყენების დროს. ქარმა შეიძლება შეიტანოს წვეთები ელექტრო გაყვანილობაში ან მოწყობილობებში.
- არ გამოიყენოთ მოწყობილობა წვიმაში ან სველ გარემოში. ელექტრულ მოწყობილობაში მოხვედრილი წყალი ზრდის ელექტრული შოკის მიღების რისკს.

პირადი უსაფრთხოება

- ელექტრო მოწყობილობის გამოყენებისას იყავით ფხიზლად, იმოქმედეთ დაკვირვებით და სადი აზრის გათვალისწინებით. არ გამოიყენოთ მოწყობილობა როდესაც ხარტ დაღლილი, ცუდ განწყობაზე, ან ალკოჰოლის,

მედიკამენტების ან ნარკოტიკების ზემოქმედების ქვეშ. მოწყობილობით სარგებლობის დროს მცირე უყურადღებობამ შეიძლება მოგაყენოთ სერიოზული პირადი ზიანი.

- გაუთვალისწინებელი ჩართვის აღკვეთა. დარწმუნდით რომ ჩართველი არის გამორთულ პოზიციაში მოწყობილობის აკუმულატორთან მიერთებამდე, მოწყობილობის მალა აწევამდე ან ტარებამდე. მოწყობილობის ტარება ჩართველის დილაკე დადებული თითით ან მოწყობილობის დენში მიერთება, რომელსაც გააქტიურებული აქვს ჩართვის დილაკე, განაპირობებს უბედურ შემთხვევას.
- მოხსენით ნებისმიერი მიმაგრებული ატრიბუტი ან ქანჩის გასაღები მოწყობილობის ჩართვამდე. მოწყობილობის მზრუნავ ნაწილზე დამაგრებულმა ქანჩის გასაღებმა ან სხვა ატრიბუტმა შესაძლოა მოგაყენოთ სხეულის დაზიანება.
- ზედმეტად არ გადაიხაროთ. ყოველთვის დაიცავით ბალანსი და მყარად იდექით ფეხზე. ეს გაძლევთ საშუალებას, მოახდინოთ მოწყობილობის უკეთესი კონტროლი მოულოდნელ სიტუაციებში.
- ჩაიცვით შესაბამისად. არ ჩაიცვით განიერი, ფრიალა ტანსაცმელი და არ გაიკეთოთ მცირეფასეულობა. მთავრად მათ და ტანსაცმელი მოძრავ ნაწილებს. თავისუფალი ტანსაცმელი, სამკაულები ან გრძელი თმა შესაძლოა ჩაითრიოს მოძრავ ნაწილებზე.
- მოწყობილობის ამუშავებამდე გადაამოწმეთ, რომ ყველა კავშირი უსაფრთხოა.
- მსგავსი მოწყობილობის ხშირი გამოყენების შემთხვევაში არ გათამამდეთ და არ უფლებებელყოთ მოწყობილობის უსაფრთხოების პრინციპების დაცვა. უგულისყურო საქციელმა წამის მეათედში კი შესაძლოა მოგიტანოთ სერიოზული ზიანი.

KA

გამოყენება და მოვლა

- არ გამოიყენოთ მოწყობილობა, თუ მისი ჩართვა და გამორთვა ჩამრთველით არ ხდება. ვენტილატორი, რომელიც ვერ კონტროლდება ჩამრთველით, სახიფათოა და საჭიროებს შეკეთებას.
- მოხსენით აკუმულატორი ვენტილატორის ნებისმიერი რეგულირების, ნაწილის შეცვლის დროს ან მოწყობილობის შენახვამდე. მსგავსი პრევენციული უსაფრთხოების ზომები ამცირებს მოწყობილობის უცაბედი ჩართვის რისკს.
- გამორთული მოწყობილობები შეინახეთ ბავშვებისთვის მიუწვდომელ ადგილას და არ მისცეთ მოწყობილობის გამოყენების უფლება მისი სარგებლობის არმცოდნე ან მის ინსტრუქციაში ჩაუხედავ პირებს. მოწყობილობა გამოუცდელი პირების ხელში სახიფათოა.
- გაუფრთხილდით მოწყობილობებს და მის ნაწილებს. შეამოწმეთ მოძრავი და დამაკავშირებელი ნაწილების ურთიერთწანაცვლება, ნაწილების დაზიანება და სხვა მდგომარეობა, რომელმაც შეიძლება გავლენა იქონიოს მოწყობილობის მუშაობაზე. დაზიანების შემთხვევაში, გამოყენებამდე შეაკეთეთ მოწყობილობა. ბევრი უბედური შემთხვევა გამოწვეულია ცუდად მოვლილი მოწყობილობის გამო.
- ეს მოწყობილობა, მისი ნაწილები და ა.შ. გამოიყენეთ ინსტრუქციის შესაბამისად, სამუშაო გარემოს და სამუშაოს ტიპის გათვალისწინებით. მოწყობილობის არადანიშნულებისამებრ გამოყენებამ შესაძლოა შექმნას სახიფათო სიტუაცია.
- სახელურები და ხელის ჩასაჭიდი სხვა ზედაპირები იქონიეთ მშრალ და სუფთა მდგომარეობაში, მათ შორის ცხიმისა და ზეთის გარეშე. სრიალა სახელურები და ხელის ჩასაჭიდი ზედაპირები არ იძლევა მოწყობილობის უსაფრთხოდ გამოყენების და კონტროლის საშუალებას მოულოდნელ სიტუაციებში.

▲ გაფრთხილება: ხანძრის ან ელექტროშოკის რისკის შესამცირებლად, არ გამოიყენოთ ეს ვენტილატორი სიჩქარის მაკონტროლებელ მოწყობილობასთან.

აკუმულატორის გამოყენება და მოვლა

- დატენით მხოლოდ მწარმოებლის მიერ მითითებული დამტენი მოწყობილობით. დამტენმა მოწყობილობამ, რომელიც თავსებადია ერთი ტიპის აკუმულატორთან, შესაძლოა წარმოშვას ხანძრის გაჩენის რისკი სხვა აკუმულატორზე გამოყენებისას.
- გამოიყენეთ მოწყობილობა მხოლოდ სპეციალურად მისთვის განკუთვნილი აკუმულატორებით. სხვა აკუმულატორების გამოყენებამ შესაძლოა წარმოშვას ფიზიკური დაზიანების ან ხანძრის რისკი.
- როდესაც აკუმულატორს არ იყენებთ, მოაცილეთ იგი ლითონის საგნებს, როგორცაა ქაღალდის სამაგრები, მონეტა, გასაღები, ლურსმანი, ხრახნი ან სხვა მცირე ზომის ლითონის საგნები, რომელთაც შეუძლიათ მოახდინონ შეერთება ერთი ტერმინალიდან მეორეში. აკუმულატორის კონტაქტების დამოკლებამ შესაძლოა გამოიწვიოს დამწვრობა ან ხანძარი.
- არასწორი მოპყრობის შემთხვევაში, სითხე შესაძლოა გამოჟონოს აკუმულატორიდან; მოერიდეთ მასთან შეხებას. თუ შემთხვევით შეხებით, ჩამოიხანეთ წყლით. თუ სითხე მოგხვდათ თვალებში, მიმართეთ ექიმს. აკუმულატორიდან გამოჟონილმა სითხემ შესაძლოა გამოიწვიოს გაღიზიანება ან დამწვრობა.
- არ გამოიყენოთ აკუმულატორი ან მოწყობილობა, რომელიც დაზიანებული ან გადაკეთებულია. დაზიანებულმა ან გადაკეთებულმა აკუმულატორმა შესაძლოა განაპირობოს გაუთვალისწინებელი ქმედება, რამაც შეიძლება გამოიწვიოს ხანძარი, აფეთქება ან დაზიანების რისკი.

KA

- არ გამოიყენოთ აკუმულატორი ან მოწყობილობა ცეცხლთან ახლოს ან მაღალი ტემპერატურის დროს. ცეცხლმა ან 130°C-ზე მაღალმა ტემპერატურამ შესაძლოა გამოიწვიოს აფეთქება.
- მიყევით დატენვის ინსტრუქციებს და არ დატენოთ აკუმულატორი ან მოწყობილობა ინსტრუქციაში მითითებული ტემპერატურის დიაპაზონის მიღმა. აკუმულატორის არასწორი ან ინსტრუქციაში მითითებული ტემპერატურის ფარგლებს მიღმა დამუხტვამ შეიძლება დააზიანოს აკუმულატორი და გაზარდოს ხანძრის რისკი.

მომსახურება

- მოწყობილობის ტექნიკური სერვისი შესარულებინეთ კვალიფიციურ პირს მხოლოდ იდენტური სათადარიგო ნაწილების გამოყენებით. აღნიშნული უზრუნველყოფს მოწყობილობის უსაფრთხოდ მუშაობას.
- არასოდეს შეაკეთოთ დაზიანებული აკუმულატორები. აკუმულატორების შეკეთება უნდა უზრუნველყოს მხოლოდ მწარმოებელმა ან ავტორიზებულმა სერვის პროვაიდერებმა.

უსაფრთხოების ინსტრუქციები უსადენო წვეთების მაფრთქვეველი ვენტिलाტორისთვის

- არაგის მისცეთ უფლება ვენტिलाტორი გამოიყენოს, როგორც სათამაშო. ბავშვებთან ახლოს ან ბავშვების მიერ მოწყობილობის გამოყენებისას განსაკუთრებული ყურადღება საჭიროა.
- ბავშვები შეიძლება ჩავარდნენ ვედროში და დაიხრჩონ. მოარიდეთ ბავშვები ვედროებს წყლის მცირე რაოდენობის შემთხვევაშიც კი.
- გამოიყენეთ მხოლოდ სუფთა, ცივი წყალი.
- არ გამოიყენოთ წვეთების მაფრთქვეველი ვენტिलाტორი პესტიციდების, თხევადი სასუქების, ქიმიკატების ან ნებისმიერი სხვა სითხეების შესასხურებლად სუფთა

წყლის გარდა. მსგავსი ნივთიერებების გაფრთქვევამ შესაძლოა სერიოზული ზიანი მოუტანოს მომხმარებელს ან მახლობლად მყოფ პირებს.

- არასოდეს მიუშვიროთ გამაფრთქვეველი ან წყალი რომელიმე ელექტრო გაყვანილობას ან მოწყობილობას.
- დარწმუნდით, რომ აკუმულატორის საფარი მჭიდროდ დახურულია, რათა წყალი არ მოხვდეს აკუმულატორს ან არ შეაღწიოს აკუმულატორის ბუდეში.
- მოწყობილობა და მისი სახელური იქონიეთ მშრალ, სუფთა, ცხიმის და ზეთისგან სუფთა მდგომარეობაში. ყოველთვის გამოიყენეთ სუფთა ტილო გაწმენდისას. არასოდეს გამოიყენოთ სამუხრუჭე სითხე, ბენზინი, ნავთობზე დამზადებული პროდუქტები ან სხვა ძლიერი გამხსნელები ვენტिलाტორის გასაწმენდად. ამ წესის დაცვა შეამცირებს კონტროლის დაკარგვის რისკს და პლასტმასის ბუდის ცვეთას.
- აკუმულატორები შესაძლოა აფეთქდეს ანთების წყაროს არსებობისას, როგორცაა ამნთები ნათურა. პირადი ზიანის მიღების რისკის შესამცირებლად არასოდეს გამოიყენოთ უსადენო მოწყობილობა ანთებული ცეცხლის მახლობლად. აფეთქებულმა აკუმულატორმა შესაძლოა გამოტყორცნოს ნარჩენები და ქიმიური ნივთიერებები. სხეულზე მოხვედრისას დაუყონებლივ ჩამოიბანეთ წყლით.
- შეინახეთ ეს მითითებები. ხშირად იხელმძღვანელებთ მითითებებით და ასწავლეთ ისინი სხვებს, ვისაც სურთ ამ ვენტिलाტორის გამოყენება. თუ სხვას ათხოვებთ ვენტिलाტორს, ასევე გაატანეთ ეს მითითებები, რათა თავიდან აიცილოთ პროდუქტის არასათანადო გამოყენება და შესაძლო დაზიანება.
- გაითვალისწინეთ, რომ ტენიანობის მაღალმა დონემ შეიძლება ხელი შეუწყოს გარემოში ბიოლოგიური ორგანიზმების მატებას.
- არ დაუშვათ ვენტिलाტორის გარშემო არსებული ზონა გახდეს ნესტიანი

KA

ან სველი. თუ ნესტიანობა იმატებს, შეამცირეთ წვეთების მაფრქვეველი ვენტილატორის სიმძლავრე. თუ წვეთების მაფრქვეველი ვენტილატორის სიმძლავრის შემცირება არ შეიძლება, პერიოდულად გამოიყენეთ დამატენიანებელი. არ დაუშვათ შთამთქმელი მასალები, როგორცაა ხალიჩა, ფარდები, ან სუფრები, დანესტიანდეს.

- არასოდეს დატოვოთ წყალი რეზერვუარში, როდესაც მოწყობილობას არ იყენებთ.
- შენახვამდე აუცილებლად დაცალეთ და გაასუფთავეთ წვეთების მაფრქვეველი ვენტილატორი. გაასუფთავეთ დამატენიანებელი მის შემდგომ გამოყენებამდე.

გაფრთხილება: მიკროორგანიზმები, რომლებიც შეიძლება იმყოფებოდნენ წყალში ან იმ გარემოში, სადაც მოწყობილობა გამოიყენება ან ინახება, შეიძლება გაიზარდოს წყლის რეზერვუარში და აფეთქდეს ჰაერში, რაც იწვევს ჯანმრთელობის ძალიან სერიოზულ რისკებს, კერძოდ, როდესაც არ ხდება წყლის გამოცვლა და ბაკი სათანადოდ არ იწმინდება ყოველ 3 დღეში.

- დასამუხტი აკუმულატორი უნდა ამოვიღოთ მოწყობილობიდან მის დამუხტვამდე.
- დაცლილი აკუმულატორი უნდა ამოვიღოთ მოწყობილობიდან და უსაფრთხოდ განადგურდეს
- თუ მოწყობილობა უნდა ინახებოდეს გამოუყენებელი ხანგრძლივი პერიოდის განმავლობაში, უნდა მოხდეს აკუმულატორების ამოღება
- დენის ტერმინალებზე არ უნდა მოხდეს მოკლე ჩართვა.

შენახეთ ეს მომხმარებლის ინსტრუქცია!

სპეციფიკაციები

მაბზა	56 ვოლტი
ვენტილატორის დანის დიამეტრი	45,7 სმ.
მაღალი სიჩქარის რეჟიმი	6 (მათ შორის „ტურბო“)
მაქს. ჰაერის ნაკადის მოცულობა	7000 მ ³ /სთ
მაქს. ჰაერის ნაკადის სიჩქარე	10,3 მ/წმ
გასაფრთქვევი წყლის მოცულობა	I: 4,5 ლ/სთ
	II: 11,4 ლ/სთ
რეკომენდებული დასაწყობების ტემპერატურა	-20°C ~ 70°C
წონა (აკუმულატორის ბლოკის გარეშე)	10,4 კგ

შეფუთვის ჩამონათვალი

ნაწილის დასახელება	რაოდენობა	
წვეთების მაფრქვეველი ვენტილატორი	1	
ბორბლის კომპლექტი	ბორბალი	2
	ხუფი	2
	ჭანჭიკი წამოსაცმელი ბრტყელი რგოლით	2
ზედა სახელურის კომპლექტი	ზედა სახელური	1
	ჭანჭიკი წამოსაცმელი ბრტყელი რგოლით	4
ქანჩის გასაღები	1	
სათადარიგო ფრქვევანა	1	
მომხმარებლის სახელმძღვანელო	1	

აღწერა

გაციანით თქვენი წვეთების მაფრქვეველი ვენტილატორი (სურ. A და სურათი A1)

1. ზედა სახელური
2. ვენტილატორის შიგთავსი
3. ვენტილატორის შიგთავსის საკეტის სახელური
4. ბორბალი (x2)
5. წვეთების საფრქვევი (x4)
6. ტელესკოპური სახელური
7. აკუმულატორის ნაკვეთური
8. შემწოვი მილი
9. ფილტრი
10. მართვის ინტერფეისი
11. ჩამრთველი დილაკი
12. ჰაერის სიჩქარის მაჩვენებელი
13. ტურბოს ინდიკატორი
14. ტურბოს დილაკი
15. ჰაერის ნაკადის სიჩქარის რეგულირების დილაკი
16. წვეთების გაფრქვევის რეჟიმის შერჩევის დილაკი
17. წვეთების გაფრქვევის ინდიკატორი

ნაკრები

▲ გაფრთხილება: თუ რომელიმე ნაწილი დაზიანებულია ან დაკარგულია, არ ისარგებლოთ მოწყობილობით, სანამ ყველა ნაწილი არ შეიცვლება. დაზიანებული ან დაკარგული ნაწილების მქონე მოწყობილობით სარგებლობას შესაძლოა მოჰყვეს სერიოზული ზიანი.

▲ გაფრთხილება: არ სცადოთ მოწყობილობის გადაკეთება ან ისეთი ნაწილების გამოყენება, რომლებიც არაა რეკომენდირებული ამ ვენტილატორისთვის. ნებისმიერი მსგავსი ცვლილება ან მოდიფიკაცია არის მოწყობილობის არასათანადო გამოყენება და შესაძლოა წარმოქმნას სახიფათო მდგომარეობა,

რომელმაც შესაძლოა გამოიწვიოს სერიოზული პირადი ზიანი.

▲ გაფრთხილება: ყოველთვის მოხსენით აკუმულატორი მოწყობილობას, როდესაც ხდება მისი აწყობა, რეგულირება, წმენდა ან როდესაც არ ხდება მოწყობილობის გამოყენება. აკუმულატორის მოხსნა გამორიცხავს მოწყობილობის უცაბედ ჩართვას, რამაც შესაძლოა მოგაყენოთ სერიოზული პირადი დაზიანება.

ბორბლის აწყობა (სურ. B)

1. გასწორეთ ერთ-ერთი ბორბლის ხვრელი ვენტილატორის ბორბლის ღერძთან და ბორბალი დაამაგრეთ ღერძზე.
2. ჩასვით ბორბლის ერთ-ერთი ჭანჭიკი ბორბლის ხვრელში ბორბლის ღერძამდე, შემდეგ მოუჭირეთ ჭანჭიკს თანდართული გასაღებით.
3. ბორბალს ჩამოაცვით ხუფი.
4. ააწყვეთ სხვა ბორბალი ზემოთ მოცემული 1 - 3 ბიჯების გამოყენებით.

ზედა სახელურის მიმაგრება (სურ. C)

1. ოთხი თანდართული ჭანჭიკი მოათავსეთ ზედა სახელურის ხვრელებში და ვენტილატორის შიგთავსის ხვრელებში.
2. ჩასვით ჭანჭიკები და შემდეგ მოუჭირეთ თანდართული გასაღებით.

სურ. B და სურ. C ნაწილების აღწერა მოცემულია ქვევით:

B-1	ბორბალი (2)	B-3	ჭანჭიკი წამოსაცმელი ბრტყელი რგოლით (2)
B-2	ბორბლის ღერძი (2)	B-4	ხუფი (2)
C-1	ზედა სახელური	C-2	ჭანჭიკი წამოსაცმელი ბრტყელი რგოლით (4)
C-3	ჭანჭიკის ხვრელი		

KA

ეესპლუატაცია

▲ გაფრთხილება: შეეცადეთ მსგ ავის პროდუქტის გამოყენების გამოცდილებამ არ გამოიწვიოს თქვენი უფულისყურობა. დაიმახსოვრეთ, რომ უფულისყურობამ წამის მეთედშიც კი შესაძლოა მოგიტანოთ სერიოზული ზიანი.

▲ გაფრთხილება: არ გამოიყენოთ სხვა ნებისმიერი ნაწილი, რომელიც არაა რეკომენდირებული ამ მოწყობილობის მწარმოებლის მიერ. არარეკომენდებული დასამაგრებელი ნაწილების ან აქსესუარების გამოყენებამ შესაძლოა მოგაყენოთ სერიოზული ზიანი.

ყოველი გამოყენების წინ შეამოწმეთ მთლიანი პროდუქტი, ხომ არ არის დაზიანებული, დაკარგული ან მოშვებული მისი ნაწილები, როგორცაა ხრახნები, ქანჩები, ჭანჭიკები, ხუფები და ა.შ. მაგრად მოუჭირეთ ყველა სამაგრი და ხუფი და არ ამუშაოთ მოწყობილობა, სანამ არ მოხდება ყველა დაკარგული ან დაზიანებული ნაწილის გამოცვლა.

▲ გაფრთხილება: ყოველთვის მოხსენით აკუმულატორი პროდუქტს, როდესაც ხდება მისი აწყობა, რეგულირება, წმენდა ან როდესაც არ ხდება მისი გამოყენება. აკუმულატორის მოხსნა გამორიცხავს მოწყობილობის უცაბედ ჩართვას, რამაც შესაძლოა მოგაყენოთ სერიოზული პირადი დაზიანება.

გამოყენებები

თქვენ შეგიძლიათ გამოიყენოთ მოწყობილობა ქვემოთ ჩამოთვლილი მიზნებისთვის:

- ერთიანი ვენტილაციის სისტემა უმეტეს საყოფაცხოვრებო გარემოში
- გარე გაგრილება წყლის წყაროსთან კავშირის შემთხვევაში

ვენტილატორის კუთხის რეგულირება (სურ. D)

1. ჩაბლუჯეთ ზედა სახელური ვენტილატორის შიგთავსის დასაკავებლად.
2. დაატრიალეთ ვენტილატორის

შიგთავსი საათის ისრის საპირისპირო მიმართულებით ვენტილატორის შიგთავსის მოსაშვებად.

3. ატრიალეთ რეგულირებადი ვენტილაციის შიგთავსი წინ და უკან სასურველი სასურველ კუთხემდე. ვენტილატორს შეუძლია 90°-მდე წინ და 135°-მდე უკან შემობრუნება.
4. დაატრიალეთ საკეტის დილაკი საათის ისრის მიმართულებით, რათა უსაფრთხოდ მიამაგროთ ვენტილატორი თქვენთვის სასურველი კუთხით.

აკუმულატორის ჩამაგრება/მოხსნა (სურ. E)

გამოიყენეთ მხოლოდ ნახ. A2-ში ჩამოთვლილი EGO-ს აკუმულატორის ბლოკები და დამტენები.

სრულად დატენეთ პირველად გამოყენებამდე.

დამაგრება

1. გახსენით აკუმულატორის ნაკვეთურის საფარი.
2. გაუსწორეთ აკუმულატორის სამაგრები ბუდის დიოზებს და დააწექით აკუმულატორის ბლოკს, სანამ არ გაიგებთ „წკაპ“ ხმას.

მოხსნა

1. დაჭირეთ აკუმულატორის გამშვებ დილაკს და ამოიღეთ აკუმულატორის ბლოკი.
2. დაჭირეთ აკუმულატორის ნაკვეთურის საფარს მისი დახურვის მიზნით. დარწმუნდით, რომ ის საიმედოდ დახურულია, რათა თავიდან ავიცილოთ აკუმულატორში და აკუმულატორის პორტში წყლის შეღწევა.

ნახ. E-ზე ნაჩვენები ნაწილების აღწერა იხილეთ ქვევით:

E-1	აკუმულატორის მოხსნის დილაკი
E-2	აკუმულატორის ნაკვეთურის საფარი

KA

წვეთების მაფრქვეველი ვენტილატორის ჩართვა/გამორთვა

შენიშვნა: ჰაერის ნაკადის სიჩქარის საწყისი ქარხნული პარამეტრი შეადგენს მე -3 დონეს. ვენტილატორი ინახავს ჰაერის ნაკადის სიჩქარის ბოლო პარამეტრს და უბრუნდება მას გადატვირთვისთანავე.

ყურადღება: ტურბოს პარამეტრი არ ინახება.

შენიშვნა: წვეთების მაფრქვეველის პარამეტრი არ ინახება და ნაგულისხმევად გაითიშება ყოველ ჯერზე, ვენტილატორის ჩართვის დროს.

დენის ჩართვის ღილაკი

- ვენტილატორის ჩასართავად დააჭირეთ დენის ჩართვის ღილაკს სწრაფად.
- ვენტილატორის გამოსართავად დააჭირეთ დენის ღილაკს სწრაფად.

ჰაერის ნაკადის სიჩქარის რეგულირება

ჰაერის ნაკადის ნორმალური სიჩქარე

- დააჭირეთ “+” ღილაკს ჰაერის ნაკადის სიჩქარის გასაზრდელად და დააჭირეთ “-” ღილაკს ჰაერის ნაკადის სიჩქარის შესამცირებლად. სიჩქარის 5 დონეა.
- ჰაერის ნაკადის სიჩქარის მაჩვენებელი აჩვენებს მწვანე შუქებს, რომლებიც შეესაბამება მიმდინარე სიჩქარის დონეს.

ტურბო რეჟიმი

- დააჭირეთ ღილაკს „ტურბო“, ტურბო მაჩვენებელი გაანათებს მწვანედ და ვენტილატორი გადავა „ტურბო“ რეჟიმზე, ანუ ჰაერის მაქსიმალურ სიჩქარეზე.
- როდესაც „ტურბო“ რეჟიმშია, კვლავ დააჭირეთ ღილაკს „ტურბო“, ტურბო ინდიკატორი გამოირთვება და ვენტილატორი დაბრუნდება მანამდე არსებულ ჰაერის სიჩქარეზე.
- როდესაც „ტურბო“ რეჟიმშია, დააჭირეთ “-” ღილაკს, ტურბო მაჩვენებელი გამოირთვება და ვენტილატორი გადავა ჰაერის ნაკადის მე-5 დონის სიჩქარეზე.

წვეთების გაფრქვევის ფუნქცია

გულშემატკივართა წყლის ვედროთ გამოყენება (არ შედის ნაკრებში) (სურ. F)

▲ გაფრთხილება: ბავშვები შეიძლება ჩავარდნენ ვედროში და დაიხრჩონ. მოარიდეთ ბავშვები ვედროებს მაშინაც კი, როდესაც შეიცავს მცირე რაოდენობით სითხეს.

შენიშვნა: ყოველი გამოყენების წინ ვედრო გაწმინდეთ საპნით და წყლით.

1. გამორთეთ აკუმულატორი.
2. მოათავსეთ ვედრო ბრტყელ, სწორ ზედაპირზე.
3. ვედროს დაამატეთ მხოლოდ სუფთა, ცივი წყალი. ზედმეტად ნუ გადაავსებთ.
4. შემწოვი მილის ფილტრის ბოლო ჩადეთ წყლიან ვედროში.

შენიშვნა: არ მოხაროთ შემწოვი მილი და ყოველთვის დარწმუნდით, რომ წყალი შეუფერხებლად მიედინება მილში.

5. მიამაგრეთ აკუმულატორის და გაუკეთეთ აკუმულატორის ნაკვეთურის საფარი.
6. ვენტილატორის ჩასართავად დააჭირეთ დენის ჩართვის ღილაკს.
7. დააჭირეთ წვეთების გაფრქვევის შერჩევის ღილაკს გაფრქვევის დასაწყებად:

■ ერთხელ დააჭირეთ წვეთების გაფრქვევის რეჟიმის შერჩევის ღილაკს და წვეთების გაფრქვევის მაჩვენებელი გაანათებს ორ მწვანე შუქს, რაც მიუთითებს „უწყვეტად“ წვეთების გაფრქვევის რეჟიმზე - წვეთების გაფრქვევა მოხდება შეუჩერებლად.

შენიშვნა: შეიძლება დაახლოებით 15 წამი დასჭირდეს, სანამ რეალურად დაინახავთ, რომ წვეთები პირველად გამოდის წვეთების საფრქვევიდან. ეს დაყოვნება ხდება იმის გამო, რომ დრო სჭირდება ვიდრე წყლის შეწოვა და მიწოდება მოხდება ვედროდან წვეთების საფრქვევამდე.

■ კვლავ დააჭირეთ წვეთების გაფრქვევის რეჟიმის შერჩევის ღილაკს და წვეთების

KA

გაფრქვევის მაჩვენებელი გააანთებს ერთ მწვანე შუქს, რაც მიუთითებს „წყვეტილად“ წვეთების გაფრქვევის რეჟიმზე - გაფრქვევა 5 წმ ყოველ 10 წმ-ში.

- როდესაც წვეთების გაფრქვევა ხდება წყვეტილ რეჟიმში, კვლავ დააჭირეთ წვეთების გაფრქვევის რეჟიმის შერჩევის ღილაკს და წვეთების გაფრქვევის მაჩვენებელი გამორთვება და წვეთების გაფრქვევა შეწყდება.

შენიშვნა: როდესაც წვეთების გაფრქვევის ოპერაცია დასრულებულია, შემწოვი მილი ამოიღეთ წყლიდან და ამუშავეთ ვენტილატორი წვეთების გაფრქვევის რეჟიმით, სანამ მთელი წყალი არ ჩამოიწრითება მილიდან. ეს ხელს უშლის, რომ არ მოხდეს მილის ნარჩენი წყლის მოულოდნელი გაფრქვევა, როდესაც ვენტილატორი კვლავ დაიწყებს მუშაობას.

ვენტილატორის გამოყენება წყლის გაფრქვევის გარეშე

სურვილის შემთხვევაში, ამ პროდუქტის გამოყენება შესაძლებელია როგორც მხოლოდ ვენტილატორიც, თუ ის არ არის დაკავშირებული წყალთან. როდესაც არ იყენებთ, ყოველთვის მოათავსეთ შემწოვი მილი შესანახ ადგილას (ამ სახელმძღვანელოში იხილეთ სექცია „შენახვა“), რათა დაიცვათ იგი დაზიანებისა და დაბინძურებისგან.

შიდა დაცვა

როდესაც წვეთების გაფრქვევის ფუნქცია ჩართულია, მაგრამ წვეთების გაფრქვევა არ ხდება:

- წყლის ტუმბო იმუშავეს ცოტა ხანი და შემდეგ ავტომატურად გაჩერდება შიდა ელექტრო სისტემის დაცვის უზრუნველყოფად.
- წვეთების გაფრქვევის რეჟიმის გათვალისწინებით, წვეთების გაფრქვევის მაჩვენებელი უცვლელად აანთებს ერთ ან ორ მწვანე შუქს მოკლე ხნით, შემდეგ კი მუდმივად ციმციმს დაიწყებს მწვანე შუქ(ებ)ი, როგორც გაფრთხილება ოპერატორისთვის:

- a. შეამოწმეთ, თუ შემწოვი მილის სწორად დევს წყალში.
- b. შეამოწმეთ, წვეთების საფრქვევ(ებ) ი ხომ არ არის დაცობილი და სუფთაა „საფრქვევის მოვლის“ მითითებების შესაბამისად.
- c. დააჭირეთ წვეთების გაფრქვევის რეჟიმის შერჩევის ღილაკს, რომ გადატვირთოთ წვეთების გაფრქვევის ფუნქცია.

ტექნიკური მომსახურება

⚠ გაფრთხილება: ტექნიკური სერვისისას გამოიყენეთ მხოლოდ იდენტური სათადარიგო ნაწილები. სხვა ნებისმიერი ნაწილის გამოყენებამ შესაძლოა შექმნას საფრთხე ან გამოიწვიოს მოწყობილობის დაზიანება. მოწყობილობის უსაფრთხოდ და გამართულად მუშაობისთვის საჭიროა მისი ყველა შეკეთება და ნაწილის შეცვლა მოხდეს კვალიფიციური სერვისის ტექნიკოსის მიერ.

⚠ გაფრთხილება: სერიოზული პირადი დაზიანების თავიდან ასაცილებლად, ყოველთვის მოხსენით აკუმულატორი მოწყობილობას გაწმენდის დროს ან როდესაც უტარებთ რაიმე ტიპის სერვისს.

ზოგადი მოვლის პირობები

მოერიდეთ გამხსნელების გამოყენებას მოწყობილობის პლასტმასის ნაწილების გაწმენდისას. პლასტმასების უმეტესობა ადვილად ზიანდება მათზე გამხსნელების გამოყენების შედეგად. გამოიყენეთ სუფთა ტილო ტალახის, მტვრის, ზეთის, ცვიმის და სხვ. მოსაცილებლად.

⚠ გაფრთხილება: არცერთ შემთხვევაში არ მისცეთ საშუალება სატორმუზო სითხეს, ბენზინს, ნავთობის ბაზაზე დამზადებულ პროდუქტებს ან სხვა ძლიერ გამხსნელებს მოვიდნენ პლასტმასის ნაწილებთან კონტაქტში. ქიმიურმა ნაერთებმა შესაძლოა დაზიანოს, გაცვითოს და დაშალოს პლასტმასი, რამაც შეიძლება გამოიწვიოს სხეულის სერიოზული დაზიანება.

KA

წვეთების საფრქვევის მოვლა (სურ. G)

▲ გაფრთხილება: დარწმუნდით, რომ ყველა წვეთების საფრქვევის მოვლა ხორციელდება სწორად, რათა თავიდან იქნას აცილებული წყლის გაჟონვა. წლის გაჟონვამ შეიძლება განაპირობოს მოლიპული ზედაპირი, რომელიც წარმოქმნის დაცემის საფრთხეს ან გამოიწვიოს ქონების დაზიანება.

წვეთების საფრქვევის გასუფთავება:

1. გათიშეთ ვენტილატორი და მოხსენით აკუმულატორი.
2. მოხსენით დაცობილი წვეთების საფრქვევი მათი მობრუნებით საათის ისრის საწინააღმდეგო მიმართულებით.
3. დაშალეთ თითოეული დაბინძურებული წვეთების საფრქვევი ნაწილებად.
4. **ნებისმიერი უცხო ნაწილაკის** მოსაშორებლად კარგად გარეცხეთ წვეთების საფრქვევები წყლით. **ნალექის (მინერალების) მოსაშორებლად,** საჭიროებისამებრ, გაწმინდეთ წვეთების საფრქვევის ნაწილები თეთრი ძმრით ან სხვა გამწმენდი საშუალებით.
5. წვეთების საფრქვევის ხელახლა აწყობა.

შენიშვნა: დაცობის თავიდან ასაცილებლად, დარწმუნდით, რომ წვეთების საფრქვევის აწყობა ხდება ზუსტად ისე, როგორც ნაჩვენებია როგორც სურ. G.

6. კვლავ გაუკეთეთ წვეთების სუფთა საფრქვევები.

ფილტრის მოვლა (სურ. H)

პერიოდულად შეამოწმეთ ფილტრი შემწოვი მილის ბოლოს, რათა დარწმუნდეთ, რომ ის კარგ მდგომარეობაშია.

1. გაითრიეთ ფილტრი შემწოვი მილისგან.
2. დაშალეთ ფილტრი ნაწილებად და მოიმარჯვეთ ღრუბელი.
3. გარეცხეთ ღრუბელი ან შეცვალეთ საჭიროების შემთხვევაში.

4. ააწყეთ ფილტრი და ხელახლა დაუკავშირეთ ის შემწოვ მილს.

სურ. H-ზე ნაჩვენებ ნაწილების აღწერა იხილეთ ქვევით:

H-1	ფილტრი	H-3	ღრუბელი
H-2	ზედა ნაწილი	H-4	ქვედა ნაწილი

ვენტილატორის შიგთავსის მოვლა (სურ. I1 და სურ. I2)

გაფრთხილება: დარწმუნდით, რომ დამცავის მოხსნამდე პროდუქტს მოხსნილი აქვს აკუმულატორი.

1. მოუშვით და მოხსენით ექვსი ჭაშნიკი, რომ ნაწილობრივ ასწიოთ ვენტილატორის შიგთავსის წინა გრილის დამცავი.

▲ ყურადღება: დაზიანების თავიდან ასაცილებლად, არ მოხსნათ წინა გრილის დამცავი მთლიანად, შემწოვი მილის სრულ გათიშვამდე.

2. დააჭირეთ შავი რეზინის ბოლოს შემწოვი მილის ამოსაღებად.
3. მთლიანად მოხსენით წინა გრილის დამცავი.
4. გადაატრიალეთ ვენტილატორის დანის საკეტი საათის ისრის მიმართულებით, ვენტილატორის დანის ლილვიდან გასათავისუფლებლად.
5. ვენტილატორის დანის მოხსნა
6. საჭიროების შემთხვევაში, გაასუფთავეთ ვენტილატორის დანა და შიგთავსი.
7. ააწყეთ ისინი საპირისპირო თანმიმდევრობით და დარწმუნდით:
 - შემწოვი მილი ქაჩთან სწორად არის დაკავშირებული.
 - შემწოვი მილი სწორად არის მოთავსებული გრილის დამცავ ბუდეში.

სურ. I1 და I2 ნაწილების აღწერა იხილეთ ქვევით:

I1-1	წინა გრილის დამცავი	I1-4	შავი რეზინი
I1-2	ჭანჭიკი (6)	I1-5	შემწოვი მილი
I1-3	ქანჩი	I2-1	საკეტის საფარი
I2-2	ვენტილატორის დანა		

ტრანსპორტირება

- ვენტილატორი აღჭურვილია ზედა სახელურით ვენტილატორის მცირე მანძილზე გადასატანად ან უხეში ზედაპირის/რელიეფის გადასაკვეთად.
- შორ მანძილზე ტრანსპორტისთვის გამოიყენეთ ტელესკოპური სახელური. ზედა სახელური გამოიყენეთ ვენტილატორის დასახრელად და შემდეგ გახსენით ტელესკოპური სახელური მანამდე, სანამ არ მოისმენთ „ტკაცუნს“. როდესაც ტელესკოპური სახელური არ გამოიყენება, დააბრუნეთ მოწყობილობაში (სურ. J).

შენახვა

1. მოხსენით აკუმულატორი
2. ვენტილატორი კარგად გაასუფთავეთ.
3. დაცალეთ შემწოვი მილი და ფილტრი.
4. შეინახეთ შემწოვი მილი სანახში, რომელიც მდებარეობს ვენტილატორის უკანა მხარეს (სურ. K1 და სურ K2).
5. შეინახეთ ვენტილატორი მშრალ, კარგად განაივებულ, ზავშვებისთვის მიუწვდომელ ადგილას. არ შეინახოთ ვენტილატორი სასუქის, ბენზინის და სხვა ქიმიური ნივთიერებების სიახლოვეს.

გარემოს ცავა



არ მოათავსოთ ელექტრო მოწყობილობა, დამტენი და აკუმულატორი საყოფაცხოვრებო ნაგავში! მიუტანეთ პროდუქტი ნარჩენების ავტორიზირებულ გადამამუშავებელს და უზრუნველყავით ასეთი ნარჩენის განცალკევებულად შეგროვება. ელექტრო ხელსაწყოები უნდა ჩაბარდეს ნარჩენების გადამამუშავებელ ობიექტს.



ღიაგნოსტიკა

პრობლემა	სივთხილე	გამოსავალი
ხელსაწყო არ მუშაობს.	<ul style="list-style-type: none"> ■ დამუდარი აკუმულატორის სიმძლავრე. ■ აკუმულატორი ან ვენტილატორი ზედმეტად გაცხელებულია. 	<ul style="list-style-type: none"> ■ დატენეთ აკუმულატორი. ■ გამორთეთ ვენტილატორი და აცადეთ აკუმულატორს გაცივდეს.
არ არსებობს წყლის შეფრქვევა და წვეთების გამოფრქვევის ინდიკატორი ორ მწვანე შუქით ციმციმებს.	<ul style="list-style-type: none"> ■ შემწოვი მილი არ იწოვს წყალს, აქტიურდება ხელსაწყოში შიგნით წყლის ტუმბოს შიდა დაცვა. ■ ოპერაციის დროს წვეთების საფრქვევ(ებ)ი იჭედება, აქტიურდება წყლის ტუმბოს შიდა დაცვა. 	<ul style="list-style-type: none"> ■ შეამოწმეთ და დარწმუნდით, რომ ვედროში საკმარისია წყალი და შემწოვი მილის სწორად დევს წყალში. ■ გაასუფთავეთ წვეთების საფრქვევ(ებ)ი „წვეთების საფრქვევის მოვლის“ მითითებების შესაბამისად და ხელახლა ააწყეთ ისინი, როგორც ეს ინსტრუქციაშია ნათქვამი.
წყლის გაჟონვა ხდება ვენტილატორის შიგთავსის სერვისის შემდეგ.	<ul style="list-style-type: none"> ■ შემწოვ მილთან დაკავშირებული ქანჩი მოულოდნელად მოემზა. 	<ul style="list-style-type: none"> ■ გახსენით ვენტილატორის შიგთავსი „ვენტილატორის შიგთავსის მოვლის“ თავის შესაბამისად. შეამოწმეთ და დარწმუნდით, რომ ქანჩი საიმედოდ არის მოჭერილი.

გარანტია

EGO-ს საგარანტიო პირობები

გთხოვთ, ეწვიოთ ვებ-გვერდს egopowerplus.com, რათა იხილოთ EGO-ს საგარანტიო მომსახურების სრული პირობები.

KA

240

56 ვოლტიანი ლითიუმ-იონური უკაბელო წვეთების მაფრქვეველი ვენტილატორი — FN1800E

PROČITAJTE SVA UPUTSTVA!



PROČITAJTE PRIRUČNIK ZA RUKOVAOČA

⚠ UPOZORENJE: Da bi se osigurala sigurnost i pouzdanost, sve popravke i zamene treba da radi kvalifikovani servisni tehničar.

SIGURNOSNI SIMBOLI

Svrha sigurnosnih simbola je da vam skrenu pažnju na moguće opasnosti. Sigurnosni simboli i objašnjenja uz njih zaslužuju vašu pognu pažnju i shvatanje. Simboli upozorenja, sami po sebi, ne eliminišu nikakve opasnosti. Uputstva i upozorenja koja oni daju nisu zamena za odgovarajuće mere sprečavanja nezgoda.

⚠ UPOZORENJE: Obavezno pročitajte i shvatite sva sigurnosna uputstva u ovom Priručniku za rukovaoca, obuhvatajući i sve simbole sigurnosnih upozorenja poput „OPASNOST“, „UPOZORENJE“ i „OPREZ“ pre korišćenja ovog alata. Nepridržavanje svih dole navedenih uputstava može da dovede do strujnog udara, požara i/ili ozbiljne telesne povrede.

	Sigurnosno upozorenje	Mere opreza koje se tiču vaše sigurnosti
	Pročitajte i shvatite priručnik za rukovaoca	Da bi smanjio rizik od povreda, korisnik pre korišćenja ovog proizvoda mora pročitati i shvatiti priručnik za rukovaoca.
	Stanje kiše	Ne izlažite kiši.
	Oznaka CE	Ovaj proizvod je u skladu sa primenljivim Direktivama EU.
	UKCA	Ovaj proizvod je u skladu sa primenljivim zakonima UK.
	WEEE	Otpadni električni proizvodi ne smeju da se odlažu sa otpadom iz domaćinstva. Odnosite ih u ovlašćeni centar za reciklažu.

IPX4	Stepen zaštite od prodora	Zaštita od zapljuskivanja vode
	Jednosmerna struja	Vrsta ili karakteristike struje
V	Volt	Napon
cm	Centimetar	Dužina ili veličina
m/s	Metri u sekundi	Brzina
L/h	Litar na sat	Stopa protoka
°C	Celzijus	Temperatura
kg	Kilogram	Masa

OPŠTA SIGURNOSNA UPOZORENJA

⚠ UPOZORENJE: Da biste smanjili rizik od požara, strujnog udara ili povrede:

- **Upoznajte vaš ventilator sa raspršivačem. Pažljivo pročitajte priručnik sa uputstvima. Saznajte koje su primene i ograničenja ventilatora kao i specifične potencijalne opasnosti u vezi sa ovim ventilatorom.** Poštovanje ovog pravila će smanjiti rizik od strujnog udara, požara ili ozbiljne povrede.
- Ovaj aparat nije predviđen da ga koriste osobe (obuhvatajući i decu) sa smanjenim fizičkim, senzornim ili mentalnim sposobnostima ili sa nedostatkom iskustva i znanja, osim ako ih ne nadzire ili upućuje u upotrebu aparata osoba odgovorna za njihovu bezbednost.
- Decu treba nadzirati da bi se osiguralo da se ne igraju aparatom.

BEZBEDNOST NA RADNOM PODRUČJU

- **Ne koristite ventilator u eksplozivnim atmosferama, kao na primer u prisustvu zapaljivih tečnosti, gasova ili prašine.**
- **Držite decu i posmatrače podalje dok koristite uređaj.** Ako vam nešto odvrti pažnju, možete izgubiti kontrolu.
- **Budite oprezni prilikom upotrebe u vetrovitim uslovima.** Vetar može da ponese izmaglicu prema električnim žicama ili uređajima.
- **Ne izlažite uređaj kiši ili mokrim uslovima.** Ulazak vode u uređaj povećava rizik od strujnog udara.

SR

LIČNA BEZBEDNOST

- Ostanite u pripravnosti, pazite šta radite i koristite zdrav razum kada koristite uređaj. **Ne koristite uređaj kad ste umorni, uzrujani ili pod uticajem droga, alkohola ili lekova.** Trenutak nepažnje kada koristite uređaj je dovoljan da izazove ozbiljne telesne povrede.
- Sprečite nehotično pokretanje. **Osigurajte da prekidač bude u isključenom položaju pre povezivanja na bateriju, podizanja ili nošenja uređaja.** Nošenje uređaja sa prstom na prekidaču ili uključivanje u utičnicu uređaja čiji prekidač je u uključenom položaju priziva nezgode.
- Uklonite sve ključeve za podešavanje pre uključivanja uređaja. Ključ koji ostane pričvršćen za rotacioni deo uređaja može da izazove telesnu povredu.
- **Ne presežite. U svakom trenutku održavajte pravilan položaj nogu i ravnotežu.** To omogućava bolju kontrolu uređaja u neočekivanim situacijama.
- **Prikladno se obucite. Ne nosite labavu odeću ili nakit. Držite kosu i odeću dalje od pokretnih delova.** Labava odeća, nakit ili duga kosa mogu da se zakače pokretnim delovima.
- Proverite da li su svi spojevi zategnuti pre rukovanja uređajem.
- **Ne dozvolite da zbog poznavanja koje ste stekli kroz čestu upotrebu uređaja postanete samozadovoljni i ignorišete principe bezbednosti uređaja.** Nemarni postupak može da izazove ozbiljnu povredu u deliču sekunde.

UPOTREBA I ODRŽAVANJE

- **Ne koristite uređaj ako prekidač ne može da ga uključuje i isključuje.** Bilo koji uređaj koji se ne može kontrolisati prekidačem je opasan i mora se popraviti.
- **Odvojite bateriju od uređaja pre bilo kakvog podešavanja, menjanja dodataka ili skladištenja uređaja.** Takve preventivne sigurnosne mere smanjuju rizik od nehotičnog startovanja uređaja.
- **Skladištite uređaj koji nije u upotrebi van domašaja dece i ne dozvolite osobama koje nisu upoznate sa ovim uređajem ili ovim uputstvom da rukuju uređajem.** Uređaj je opasan u rukama ne kvalifikovanih korisnika.
- **Održavajte uređaj i dodatke. Proveravajte da li ima nepravilnog poravnjanja ili zaglavlivanja pokretnih delova, pucanja delova i svih drugih stanja koja mogu da utiču na rad uređaja. Ako je uređaj oštećen, odnesite ga na popravku pre upotrebe.** Mnoge nezgode su izazvane loše održanim uređajima.

SR

- **Koristite uređaj, dodatke itd. u skladu sa ovim uputstvom, uzimajući u obzir radne uslove i rad koji treba obaviti.** Korišćenje uređaja za drugačiji rad od predviđenog moglo bi da dovede do opasne situacije.
- **Održavajte drške i površine koje hvatate suvim, čistim i bez ulja i masnoće.** Klizave drške i površine koje hvatate ne omogućavaju bezbedno rukovanje i kontrolu alata u neočekivanim situacijama.

⚠ UPOZORENJE: Da biste smanjili rizik od požara ili strujnog udara, nemojte koristiti ovaj ventilator ni sa kakvim spoljašnjim uređajima za kontrolu brzine.

UPOTREBA I ODRŽAVANJE ALATA NA BATERIJE

- **Punite samo punjačem koji navodi proizvođač.** Punjač koji je prikladan za jedan tip baterije može da stvori opasnost od požara kad se koristi sa nekom drugom baterijom.
- **Koristite uređaj samo sa konkretno imenovanim baterijama.** Upotreba bilo kakvih drugih baterija može da stvori rizik od povrede i požara.
- **Kad se baterija ne koristi, držite je dalje od drugih metalnih predmeta, poput spajalica, novčića, ključeva, eksera, vijaka ili drugih malih metalnih predmeta koji mogu da naprave spoj jednog terminala sa drugim.** Kratak spoj terminala baterije može da izazove opekotine ili požar.
- **U ekstremnim uslovima može doći do curenja tečnosti iz baterije; izbegavajte kontakt sa njom. Ako dođe do nehotičnog kontakta, isperite vodom. Ako tečnost dođe u kontakt sa očima, takođe potražite i medicinsku pomoć.** Tečnost iz baterije može da izazove iritaciju ili opekotine.
- **Ne koristite bateriju ili aparat koji su oštećeni ili modifikovani.** Oštećene ili modifikovane baterije mogu da ispolje nepredvidivo ponašanje, dovodeći do požara, eksplozije ili rizika od povrede.
- **Ne izlažite bateriju ili uređaj vatri ili previsokoj temperaturi.** Izlaganje vatri ili temperaturi iznad 130°C može izazvati eksploziju.
- **Pratite sva uputstva za punjenje i ne puniti bateriju ili uređaj izvan temperaturnog opsega navedenog u uputstvima.** Punjenje na nepravilan način ili na temperaturama izvan navedenog opsega može da ošteti bateriju i poveća rizik od požara.

SERVIS

- **Odnosite uređaj na servisiranje kod kvalifikovanog servisera koji će koristiti samo identične rezervne delove.** To će osigurati da bezbednost uređaja bude održana.

- **Nikad ne servisirajte oštećene baterije.** Servisiranje baterija treba da radi samo proizvođač ili ovlašćeni servis.

SIGURNOSNA UPUTSTVA ZA BEŽIČNI VENTILATOR SA RASPRŠIVAČEM

- **Ne dozvolite da se ventilator koristi kao igračka.** Pomna pažnja je neophodna kad ga koriste deca ili kad se koristi u blizini dece.
- **Deca mogu da upadnu u kofe i da se udave.** Držite decu podalje od kofa, čak i sa malom količinom tečnosti.
- **Koristite SAMO čistu, hladnu vodu.**
- **Nemojte koristiti ovaj ventilator sa raspršivačem za prskanje pesticida, tečnog đubriva, hemikalija ili bilo koje tečnosti osim čiste vode.** Prskanje tih supstanci bi moglo da dovede do ozbiljne povrede ili bolesti rukovaoca ili prolaznika.
- **Nikada ne usmeravajte maglu ili vodu prema električnim žicama ili uređajima.**
- **Uverite se da je poklopac odeljka za baterije potpuno zatvoren kako biste sprečili da voda dođe u dodir sa baterijom ili uđe u port baterije.**
- **Održavajte uređaj i njegovu dršku suvim, čistim i bez ulja i masnoće.** Uvek koristite čistu krpu kad čistite. Nikad ne koristite kočionu tečnost, benzin, proizvode na bazi petroleja ili bilo koje druge jake rastvarače za čišćenje ventilatora. Poštovanje ovog pravila će smanjiti rizik od gubitka kontrole i propadanja plastičnog kućišta.
- **Baterije mogu da eksplodiraju u prisustvu izvora paljenja, poput pilot plamenika.** Da biste smanjili rizik od ozbiljne telesne povrede, nikad ne koristite nikakve bežične proizvode u prisustvu otvorenog plamena. Eksplozija baterije može da izbaci krhotine i hemikalije. Ako im budete izloženi, odmah isperite vodom.
- **Sačuvajte ovo uputstvo.** Često ga pregledajte i koristite ga da uputite druge koji će možda koristiti ovaj ventilator. Ako pozajmite ovaj ventilator nekom drugom, pozajmite i ovo uputstvo da bi se sprečila pogrešna upotreba proizvoda i eventualna povreda.
- **Imajte na umu da visok nivo vlažnosti vazduha može podstaći rast bioloških organizama u okruženju.**
- **Ne dozvolite da područje oko ventilatora sa raspršivačem postane vlažno ili mokro.** Ako se pojavi vlaga, smanjite izlaz ventilatora sa raspršivačem. Ako nije moguće smanjiti izlazni volumen ventilatora sa raspršivačem, ovlaživač koristite sa prekidima. Ne dozvolite da upijajući materijali, kao što su tepisi, zavese, draperije ili stolnjaci, postanu vlažni.

- Nikada ne ostavljajte vodu u rezervoaru kada uređaj nije u upotrebi.

- **Ispraznite i očistite ventilator sa raspršivačem pre skladištenja.** Očistite ovlaživač pre sledeće upotrebe.

⚠ UPOZORENJE: Mikroorganizmi koji mogu biti prisutni u vodi ili u sredini u kojoj se uređaj koristi ili skladišti mogu da se razvijaju u rezervoaru vode i da budu izduvani u vazduh izazivajući veoma ozbiljne zdravstvene rizike kada se voda ne obnavlja i kada se rezervoar ne čisti kako treba svaka 3 dana.

- Punjive baterije se moraju izvaditi iz uređaja pre punjenja
- Istrošene baterije treba ukloniti iz uređaja i bezbedno odložiti na otpad
- Ako se aparat skladišti nekorišćen na duži period, baterije treba ukloniti
- Terminali za napajanje ne smeju da budu u kratkom spoju.

SAČUVAJTE OVO UPUTSTVO.

SPECIFIKACIJE

Napon	56 V
Prečnik lopatica ventilatora	45,7 cm
Postavke brzine ventilatora	6 (uključujući „Turbo“)
Maks. Zapremina vazduha	7000 m ³ /h
Maks. Brzina vazduha	10,3 m/s
Zapremina vodene magle	I: 4,5 L/h II: 11,4 L/h
Preporučena temperatura skladištenja	Od -20 do +70°C
Težina (bez baterije)	10,4 kg

POPIS PAKOVANJA

NAZIV DELA	KOLIČINA	
Ventilator sa raspršivačem	1	
Sklop točkova	Točak	2
	Felna	2
	Šraf sa podloškom	2

SR

Sklop gornje drške	Gornja drška	1
	Šraf sa podloškom	4
Ključ		1
Rezervna mlaznica		1
Priručnik za rukovaoca		1

OPIS

UPOZNAJTE VAŠ VENTILATOR SA RASPRŠIVAČEM (slika A i A1)

1. Gornja drška
2. Kućište ventilatora
3. Dugme za zaključavanje kućišta ventilatora
4. Točak (2 kom.)
5. Mlaznica za maglu (4 kom.)
6. Teleskopska ručka
7. Odeljak baterije
8. Ulazna cev
9. Filter
10. Kontrolni interfejs
11. Dugme napajanja
12. Indikator brzine vazduha
13. TURBO indikator
14. TURBO dugme
15. Dugme za podešavanje brzine vazduha
16. Dugme za odabir režima magle
17. Indikator za maglu

SASTAVLJANJE

⚠ UPOZORENJE: Ako su neki delovi oštećeni ili nedostaju, nemojte koristiti ovaj proizvod dok delovi ne budu zamenjeni. Korišćenje ovog proizvoda sa oštećenim ili nedostajućim delovima može dovesti do ozbiljnih telesnih povreda.

⚠ UPOZORENJE: Ne pokušavajte da modifikujete ovaj proizvod ili da pravite dodatke koji nisu preporučeni za korišćenje sa ovim ventilatorom. Svaka takva promena ili modifikacija je zloupotreba i može dovesti do opasnih uslova koji mogu da dovedu do ozbiljnih telesnih povreda.

SR

⚠ UPOZORENJE: Kad sklapate delove, obavljate radove podešavanja, čišćenja ili kada ne upotrebljavate proizvod, iz proizvoda uvek izvadite bateriju. Vađenje baterije će sprečiti nehotično pokretanje koje bi moglo da izazove ozbiljne telesne povrede.

SKLAPANJE TOČKOVA (slika B)

1. Poravnajte rupu na točku sa osovinom za točak na ventilatoru i postavite točak na osovinu.
2. Uvrnite šraf za točak kroz rupu na točku u osovinu za točak a zatim zategnite šraf priloženim ključem.
3. Namestite felnu na točak.
4. Sastavite drugi točak prateći korake 1-3 iznad.

POSTAVLJANJE GORNJE DRŠKE (slika C)

1. Poravnajte četiri priložena šrafa sa rupama na gornjoj dršci i rupama u kućištu ventilatora.
2. Ubacite šrafove i zategnite ih koristeći priloženi ključ.

Opis delova sa slike B i C pogledajte ispod:

B-1	Točak (2)	B-3	Šraf sa podloškom (2)
B-2	Osovina točka (2)	B-4	Felna (2)
C-1	Gornja drška	C-2	Šraf sa podloškom (4)
C-3	Rupa za šraf		

RUKOVANJE

⚠ UPOZORENJE: Nemojte dozvoliti da vas poznavanje ovog proizvoda učini nemarnim. Imajte na umu da je za nanošenje teških povreda dovoljan samo delić sekunde nepažnje.

⚠ UPOZORENJE: Ne koristite nikakve dodatke ili pribor koje nije preporučio proizvođač ovog proizvoda. Upotreba nepreporučenih dodataka ili pribora može da rezultira teškim telesnim povredama.

Pre svake upotrebe pregledajte čitav proizvod radi oštećenih, nedostajućih ili labavih delova poput vijaka, navrtnja, zavrtnja, kapica itd. Čvrsto zategnite sve spojeve i kapice i ne rukujte ovih proizvodima dok svi nedostajući ili oštećeni delovi ne budu zamenjeni.

⚠ UPOZORENJE: Uvek izvadite bateriju iz proizvoda kad sklapate delove, podešavate, čistite ili kad ga ne koristite. Vađenje baterije će sprečiti nehotično pokretanje koje bi moglo da izazove ozbiljne telesne povrede.

PRIMENE

Ovaj proizvod možete da upotrebljavate za svrhe navedene u nastavku:

- Opšta ventilacija u većini kućnih upotreba
- Rashlađivanje na otvorenom dok je povezano sa izvorom vode

PODEŠAVANJE UGLA VENTILATORA (slika D)

1. Uхватите gornju dršku da biste držali kućište ventilatora.
2. Okrenite dugme za zaključavanje kućišta ventilatora SUPROTNO kazaljki na satu da biste olabavili podesivo kućište ventilatora.
3. Nagnite podesivo kućište ventilatora napred ili nazad do željenog ugla. Ventilator može da se okrene do 90° napred i do 135° unazad.
4. Okrenite dugme za zaključavanje U SMERU kazaljke na satu da biste učvrstili kućište ventilatora pod željenim uglom.

ZA SPAJANJE/ODVAJANJE BATERIJE (slika E)

Upotrebljavajte samo baterije i punjače proizvođača EGO navedene na slici A2.

Baterije potpuno napunite pre prve upotrebe.

Postavljanje

1. Povucite poklopac odeljka za baterije da biste ga otvorili.
2. Poravnajte rebra baterije sa prorezima za montiranje i pritisnite bateriju nadole dok ne čujete „klik“.

Skidanje

1. Pritisnite dugme za oslobađanje baterije i izvucite bateriju.
2. Pritisnite poklopac odeljka za baterije da biste ga zatvorili. Uverite se da je potpuno zatvoren da biste sprečili da voda dođe u dodir sa baterijom ili uđe u port za bateriju.

Opis delova sa slike E pogledajte ispod

E-1	Dugme za oslobađanje baterije
E-2	Poklopac odeljka za bateriju

POKRETANJE/ZAUSTAVLJANJE VENTILATORA SA RASPRŠIVAČEM

NAPOMENA: Početna fabrička postavka za brzinu vazduha je nivo 3. Ventilator će zapamtiti poslednju korišćenu postavku brzine vazduha i vratiće joj se pri ponovnom pokretanju.

VAŽNO: Turbo postavka neće biti sačuvana.

NAPOMENA: Postavka magle neće biti sačuvana i podrazumevano će biti isključena svaki put kada se ventilator uključi.

DUGME NAPAJANJA

- Kratko pritisnite dugme napajanja da biste uključili ventilator.
- Ponovo kratko pritisnite dugme napajanja da biste isključili ventilator.

PODEŠAVANJE BRZINE VAZDUHA

Normalna brzina vazduha

- Pritisnite dugme „+“ da biste povećali brzinu vazduha i pritisnite dugme „-“ da biste smanjili brzinu vazduha. Postoji 5 nivoa brzine.
- Indikator brzine vazduha prikazuje zelena svetla koja odgovaraju trenutnom nivou brzine.

TURBO režim

- Pritisnite dugme „TURBO“, TURBO indikator će se osvetliti zeleno i ventilator će se prebaciti u „TURBO“ režim, najveću brzinu vazduha.
- Kada ste u „TURBO“ režimu, ponovo pritisnite dugme „TURBO“, TURBO indikator će se isključiti i ventilator će nastaviti prethodno aktivnu brzinu vazduha.
- Kada ste u „TURBO“ režimu, pritisnite taster „-“, TURBO indikator će se isključiti i ventilator će se prebaciti na nivo brzine vazduha 5.

FUNKCIJA MAGLE

KORIŠĆENJE VENTILATORA SA KOFOM VODE (NIJE PRILožENA) (slika F)

⚠ UPOZORENJE: Deca mogu da upadnu u kofe i da se udave. Držite decu podalje od kofa koje sadrže čak i malu količinu tečnosti.

NAPOMENA: Kofu operite sapunom i vodom pre svake upotrebe.

1. Uklonite bateriju.
2. Stavite kofu na ravnu, horizontalnu površinu.
3. U kantu sipajte SAMO čistu, hladnu vodu. Nemojte prepuniti.
4. Uronite kraj usisne cevi sa filterom dole u kofu sa vodom.

NAPOMENA: Nemojte savijati usisnu cev i uvek vodite računa da voda teče glatko kroz cev.

5. Montirajte bateriju i zatvorite poklopac odeljka za bateriju.
6. Pritisnite dugme napajanja da biste uključili ventilator.
7. Pritisnite dugme za izbor režima magle da biste započeli maglu:
 - Pritisnite jednom dugme za izbor režima magle i indikator magle će osvetliti dva zelena svetla koja ukazuju na kontinuirani režim magle – magla sve vreme bez zaustavljanja.

NAPOMENA: Prvi put će možda trebati oko 15 sekundi pre nego što zaista vidite izmaglicu kako izlazi iz mlaznice magle. Ovo odlaganje je posledica vremena potrebnog da voda dođe od kofe sa vodom do mlaznice.

- Ponovo pritisnite dugme za izbor režima magle i indikator magle će osvetliti jedno zeleno svetlo koje ukazuje na isprekidani režim magle – magla tokom 5 sekundi na svakih 10 sekundi.
- Kada je magla u isprekidanom režimu, ponovo pritisnite dugme za izbor režima magle i svetla indikatora magle će se isključiti i magla će se zaustaviti.

NAPOMENA: Kada se ispuštanje magle završi, izvucite usisnu cev iz vode i pokrenite ventilator u režimu magle dok sva voda ne izađe iz cevi. Ovo pomaže da se spreči da ostaci vode u cevi izazovu neočekivanu maglu kada se ventilator ponovo pokrene.

KORIŠĆENJE VENTILATORA BEZ IZMAGLICE

Po želji, ovaj proizvod se može koristiti samo kao ventilator, kada nije povezan sa izvorom vode. Kada nije u upotrebi, uvek stavite usisnu cev u njen prostor za skladištenje (u ovom uputstvu pogledajte odeljak „SKLADIŠTENJE“) da biste je zaštitili od oštećenja i kontaminacije.

ZAŠTITA UNUTRAŠNJOSTI

Kada se aktivira funkcija magle ali magla ne izlazi:

- Pumpa za vodu će nastaviti da radi kratko vreme a zatim će se automatski zaustaviti kako bi zaštitila unutrašnju elektroniku.
- U zavisnosti od režima magle, indikator magle će na kratko prikazati jedno ili dva neprekidna zelena svetla a zatim stalno bljeskati zeleno svetlo kao upozorenje rukovaocu:
 - a. Da proveriti da li je usisna cev pravilno uronjena u vodu.
 - b. Da proveriti da li su mlaznice za maglu zapušene i da ih očisti u skladu sa poglavljem „ODRŽAVANJE MLAZNICE“.
 - c. Da pritisne dugme za izbor režima magle da bi ponovo pokrenuo maglu.

ODRŽAVANJE

⚠ UPOZORENJE: Tokom servisiranja, koristite samo identične rezervne delove. Upotreba bilo kakvih drugih delova može da dovede do opasnosti ili da izazove oštećenje proizvoda. Da bi se osigurala sigurnost i pouzdanost, sve popravke treba da radi kvalifikovani servisni tehničar.

⚠ UPOZORENJE: Da biste izbegli ozbiljne telesne povrede, uvek izvadite bateriju iz proizvoda kad ga čistite ili održavate.

OPŠTE ODRŽAVANJE

Izbegavajte korišćenje rastvarača kada čistite plastične delove. Većina plastike je podložna oštećenjima od raznih tipova komercijalnih rastvarača i može se oštetiti njihovom upotrebom. Koristite čiste krpe da uklonite zemlju, prašinu, ulje, masnoću itd.

⚠ UPOZORENJE: Nemojte ni u kom trenutku dozvoliti da kočiona tečnost, benzin, proizvodi na bazi benzina, penetraciono ulje itd. dođu u kontakt sa plastičnim delovima. Hemikalije mogu da oštete, oslabe ili unište plastiku, što može da dovede do ozbiljne telesne povrede.

ODRŽAVANJE MLAZNICE (slika G)

⚠ UPOZORENJE: Osigurajte da se svo održavanje mlaznica za maglu obavlja pravilno, da bi se sprečilo curenje vode. Curenje može rezultirati klizavom površinom stvarajući opasnost od klizanja i pada ili uzrokovati oštećenje imovine.

Da biste očistili mlaznice:

1. Isključite ventilator i izvadite bateriju.
2. Uklonite zapušene mesingane mlaznice tako što ćete ih rotirati u smeru SUPROTNOG od kretanja kazaljki na satu.
3. Rastavite svaku zapušenu mlaznicu na delove.
4. **Da biste uklonili sve strane čestice** koje zapušavaju ili ograničavaju mlaznice, isperite delove mlaznice vodom. **Da biste uklonili nakupljeni kamenac (minerale)**, po potrebi očistite delove mlaznice belim sirćetom ili nekim drugim sredstvom za uklanjanje kamenca.
5. Ponovo sastavite mlaznice.

NAPOMENA: Da biste sprečili začepljivanje, osigurajte da je mlaznica sastavljena tačno onako kako je prikazano na slici G.

6. Ponovo pričvrstite čiste mlaznice.

ODRŽAVANJE FILTERA (slika H)

Periodično pregledajte filter na kraju usisne cevi kako biste se uverili da je u dobrom stanju.

1. Svucite filter sa usisne cevi.
2. Rastavite filter odvrtanjem delova i izvadite sunderasti uložak.
3. Isperite sunderasti uložak ili ga zamenite ako je potrebno.
4. Ponovo sastavite filter i ponovo ga postavite na usisnu cev.

Opis delova sa slike H pogledajte ispod

H-1	Filter	H-3	Sunderasti uložak
H-2	Gornji deo	H-4	Donji deo

ODRŽAVANJE KUĆIŠTA VENTILATORA (slika I1 i I2)

⚠ UPOZORENJE: Uverite se da su baterije uklonjene iz proizvoda pre nego što uklonite štitnik.

1. Olabavite i uklonite šest šrafova da biste DELIMIČNO podigli prednji rešetkasti štitnik sa kućišta ventilatora.

⚠ OPREZ: Da biste sprečili oštećenje, nemojte potpuno ukloniti prednji rešetkasti štitnik bez da ste PRVO odvojili usisnu cev.

2. Pritisnite crnu gumu na kraju matice da biste izvukli usisnu cev.
3. Potpuno uklonite prednji rešetkasti štitnik.
4. Okrenite dugme za zaključavanje lopatica ventilatora u smeru kazaljke na satu da biste oslobodili lopatice ventilatora sa osovine.
5. Skinite lopatice ventilatora.
6. Po potrebi očistite lopatice ventilatora i unutrašnjost kućišta.
7. Ponovo ih sastavite obrnutim redosledom i uverite se:
 - da je usisna cev pravilno povezana sa maticom.
 - da je usisna cev pravilno postavljena u slot na rešetkastom štitniku.

Opis delova sa slike I1 i I2 pogledajte ispod

I1-1	Prednji rešetkasti štitnik	I1-4	Crna guma
I1-2	Vijak (6)	I1-5	Ulazna cev
I1-3	Matica	I2-1	Poklopac za zaključavanje
I2-2	Lopatice ventilatora		

TRANSPORTOVANJE

- Ventilator je opremljen gornjom drškom za nošenje ventilatora na kratke razdaljine ili prelazak preko neravne površine/terena.
- Za transport na veće razdaljine koristite teleskopsku dršku za vučenje ventilatora. Koristite gornju dršku da biste nagnuli ventilator a zatim izvucite teleskopsku dršku dok ne čujete „škljoc“. Kada se teleskopska drška ne koristi, gurnite je u alat (slika J).

SKLADIŠTENJE

1. Izvadite bateriju.
2. Temeljno očistite ventilator.
3. Ispraznite usisnu cev i filter.
4. Postavite usisnu cev na jednu od dve pozicije za skladištenje koje se nalaze na zadnjem delu ventilatora (slika K1 i K2).
5. Skladištite ventilator na suvom, dobro provetrenom mestu, van domašaja dece. Ne skladištite ventilator na ili pored đubriva, benzina ili drugih hemikalija.

ZAŠTITA ŽIVOTNE SREDINE



Ne odlažite električnu opremu, potrošene baterije i punjače u kućni otpad! Odnosite ovaj proizvod u ovlašćeni pogon za reciklažu ili ga odvojite od ostalog smeća radi zasebnog prikupljanja. Električni alati moraju se odneti u ekološki prihvatljiv pogon za reciklažu.

REŠAVANJE PROBLEMA

PROBLEM	UZROK	REŠENJE
Alat ne radi.	<ul style="list-style-type: none">▪ Nizak kapacitet baterije.▪ Baterija ili ventilator su prevrući.	<ul style="list-style-type: none">▪ Napunite bateriju.▪ Isključite ventilator i ostavite ventilator i bateriju da se ohlade.
Nema vodene izmaglice i dva zelena svetla na indikatoru magle bljeskaju.	<ul style="list-style-type: none">▪ Usisna cev ne usisava vodu, aktivirajući unutrašnju zaštitu za pumpu za vodu unutar alata.▪ Mlaznice za izmaglicu su se zapušile tokom rada, aktivirajući unutrašnju zaštitu za pumpu za vodu.	<ul style="list-style-type: none">▪ Proverite i uverite se da u kanti ima dovoljno vode i da je usisna cev pravilno uronjena u vodu.▪ Očistite mlaznice prema poglavlju „ODRŽAVANJE MLAZNICE“ i ponovo ih sastavite po uputstvu.
Voda curi nakon održavanja kućišta ventilatora.	<ul style="list-style-type: none">▪ Matica koja je povezana sa usisnom cevi se neočekivano odvrnula.	<ul style="list-style-type: none">▪ Otvorite kućište ventilatora u skladu sa poglavljem „ODRŽAVANJE KUĆIŠTA VENTILATORA“. Pogledajte i uverite se da je matica potpuno zategnuta.

GARANCIJA

EGO POLITIKA GARANCIJE

Posećite veb-lokaciju egopowerplus.com za potpune uslove i odredbe EGO politike garancije.

PROČITAJTE UPUTSTVO U CIJELOSTI!



PROČITAJTE KORISNIČKI PRIRUČNIK

⚠ UPOZORENJE! Radi osiguranja sigurnosti i pouzdanosti, sve popravke i zamjene treba obavljati kvalifikovani servisni tehničar.

SIGURNOSNI SIMBOLI

Svrha sigurnosnih simbola je skretanje pažnje na moguće opasnosti. Sigurnosni simboli i njihova objašnjenja zahtijevaju vašu potpunu pažnju i razumijevanje. Simboli upozorenja sami po sebi ne isključuju opasnost. Uputstva i upozorenja koja pružaju nisu zamjena za propisne mjere za prevenciju nesreća.

⚠ UPOZORENJE! Prije upotrebe ovog alata pobrinite se da sva sigurnosna uputstva u ovom korisničkom priručniku, uključujući sve sigurnosne simbole kao što su “OPASNOST;”, “UPOZORENJE;” i “OPREZ” pročitate s razumijevanjem. Zanemarivanje svih uputstava navedenih u nastavku može rezultirati strujnim udarom, požarom i/ili teškim tjelesnim povredama.

	Simbol upozorenja	Mjere opreza koje se odnose na vašu sigurnost
	S razumijevanjem pročitajte korisnički priručnik.	Radi smanjenja opasnosti od povreda, prije upotrebe ovog proizvoda korisnik treba s razumijevanjem pročitati ovaj korisnički priručnik.
	Kišni uslovi	Ne izlažite proizvod kiši.
	CE	Ovaj proizvod je u skladu s primjenjivim direktivama EU.
	UKCA	Ovaj proizvod je u skladu s važećim zakonodavstvom Velike Britanije.
	WEEE	Otpadni električni proizvodi ne smiju se odlagati s otpadom iz domaćinstva. Odnosite ih u ovlaštenu centar za reciklažu.

IPX4	Stepen zaštite od prodiranja	Zaštita od prskanja vode
	Istosmjerna struja	Vrsta ili karakteristike struje
V	Volt	Napon
cm	Centimetar	Dužina ili dimenzija
m/s	Metara u sekundi	Brzina
l/h	Litara po satu	Brzina protoka
°C	Celzijus	Temperatura
kg	Kilogram	Masa

OPĆA SIGURNOSNA UPOZORENJA

⚠ UPOZORENJE! Radi smanjenja opasnosti od požara, strujnog udara ili povreda:

- **Upoznajte svoj ventilator s funkcijom raspršivanja maglice. Pažljivo pročitajte uputstvo za upotrebu. Saznajte više o primjenama i ograničenjima ventilatora, kao i specifičnim potencijalnim opasnostima koja se odnose na ovaj ventilator.** Pridržavanjem ovih pravila smanjit će se rizik od strujnog udara, požara ili teških povreda.
- Ovaj uređaj nije predviđen da ga upotrebljavaju osobe (uključujući djecu) ograničenih fizičkih, čulnih ili mentalnih sposobnosti ili nedovoljnog iskustva i znanja, osim ako ih nadzire osoba odgovorna za njihovu sigurnost ili ako ih je uputila u način upotrebe uređaja.
- Djecu je potrebno nadzirati kako biste se uvjerali da se ne igraju uređajem.

SIGURNOST RADNOG PODRUČJA

- **Ventilator nemojte upotrebljavati u eksplozivnim atmosferama, kao na primjer u prisutnosti zapaljivih tekućina, plinova ili prašine.**
- **Djecu i druge prisutne osobe držite podalje tokom rada uređaja.** Ometanja mogu rezultirati gubitkom kontrole nad uređajem.
- **Budite oprezni kada uređaj upotrebljavate u vjetrovitim uslovima.** Vjetar može unijeti vodenu maglicu u električne instalacije ili uređaje.
- **Nemojte izlagati uređaj kiši ili mokrim uslovima.** Prodiranjem vode u uređaj povećat će se rizik od strujnog udara.

BS

LIČNA SIGURNOST

- Budite oprezni, gledajte šta radite i koristite se uobičajenim osjećajem kada upotrebljavate uređaj. Uređaj nemojte upotrebljavati kada ste umorni, uznemireni ili pod uticajem opojnih sredstava, alkohola ili lijekova. Trenutak nepažnje tokom rada uređaja može rezultirati teškim tjelesnim povredama.
- **Spriječite nenamjerno pokretanje. Prije spajanja na komplet baterija, uzimanja ili nošenja uređaja uvjerite se da je prekidač u isključenom položaju.** Nošenje uređaja s prstom na prekidaču ili napajanje uređaja koji imaju uključen prekidač izaziva nesreće.
- Prije uključivanja uređaja uklonite sve ključeve za podešavanje ili ključeve. Ključ ili ključ za podešavanje ostavljen pričvršćen na rotacijski dio uređaja može rezultirati tjelesnim povredama.
- Nemojte se previše naginjati prema naprijed. Cijelo vrijeme održavajte propisno držanje i ravnotežu. To će omogućiti bolju kontrolu nad uređajem u neočekivanim situacijama.
- Obucite se prikladno. Nemojte nositi široku odjeću ili nakit. Kosu i odjeću uvijek držite podalje od dijelova koji se kreću. Dijelovi koji se kreću mogu zahvatiti široku odjeću, nakit ili dugu kosu.
- Prije upotrebe uređaja provjerite jesu li svi priključci sigurni.
- Nemojte dozvoliti da vas poznavanje uređaja stečeno čestom upotrebom učini samodopadnim pa da ignorišete sigurnosne principe za uređaj. Nemarne radnje u djeliću sekunde mogu rezultirati teškim povredama.

UPOTREBA I NJEGA

- Nemojte upotrebljavati uređaj ako se ne uključuje i ne isključuje putem prekidača. Svaki uređaj koji se ne može kontrolisati prekidačem opasan je i potrebno ga je popraviti.
- Prije podešavanja, zamjene dodatne opreme ili skladištenja uređaja odspojite komplet baterija od uređaja. Takve preventivne sigurnosne mjere smanjuju rizik od iznenadnog pokretanja uređaja.
- Nekorišteni uređaj skladištite izvan dohvata djece i nemojte dozvoliti da osobe koje ne poznaju uređaj ili ova uputstva upotrebljavaju uređaj. Uređaji su opasni u rukama neobučениh korisnika.
- Održavajte uređaj i dodatnu opremu. Provjerite jesu li pokretni dijelovi centrirani ili spojeni, ima li polomljenih dijelova i postoji li stanje koje može uticati na rad uređaja. Ako je oštećen, uređaj dajte na popravak prije upotrebe. Loše održavan uređaj uzrok je mnogih nesreća.

- Uređaj i dodatnu opremu, itd., upotrebljavajte u skladu s ovim uputstvima, uzimajući u obzir radne uslove i posao koji je potrebno obaviti. Upotreba uređaja za radove drukčije od namjenskih može rezultirati opasnim situacijama.
- Ručke i površine ručke održavajte suhim, čistim i očišćenim od ulja i masti. Skliske ručke i skliske površine ručke onemogućuju sigurno rukovanje i upravljanje alatom u neočekivanim situacijama.

⚠ UPOZORENJE! Kako bi se smanjio rizik od požara ili strujnog udara, ovaj ventilator nemojte upotrebljavati s poluprovodničkim regulatorom brzine.

UPOTREBA I NJEGA BATERIJSKOG ALATA

- Punjenje obavljajte samo s punjačem kojeg je naveo proizvođač. Punjač koji je prikladan za jedan tip kompleta baterija može stvoriti rizik od požara ako ga se upotrebljava s drugim kompletom baterija.
- Uređaj upotrebljavajte samo s izričito navedenim kompletima baterija. Upotreba drugih kompleta baterija može stvoriti rizik od povreda i požara.
- Kada se komplet baterija ne upotrebljava, držite ga podalje od drugih metalnih predmeta poput spajalica za papir, kovanica, ključeva, eksera, vijaka ili drugih malih metalnih predmeta koji mogu međusobno spojiti kontakte. Kratko spajanje baterijskih kontakata može uzrokovati opekotine ili požar.
- U slučaju pogrešne upotrebe, baterija može izbaciti tekućinu; izbjegavajte kontakt. Ako slučajno dođe do kontakta, odnosno mjesta isperite vodom. Ako tekućina dođe u kontakt s očima, dodatno potražite pomoć ljekara. Tekućina koju izbaci baterija može uzrokovati nadražaj kože ili opekotine.
- Nemojte upotrebljavati oštećene ili modifikovan komplet baterija ili uređaj. Oštećene ili modifikovane baterije mogu pokazati nepredvidivo ponašanje koje može rezultirati požarom, eksplozijom ili opasnošću od povreda.
- Komplet baterija ili uređaj nemojte izlagati vatri ili previsokoj temperaturi. Izlaganje vatri ili temperaturi višoj od 130°C može uzrokovati eksploziju.
- Pridržavajte se svih uputstava za punjenje i komplet baterija ili uređaj nemojte puniti izvan okvira opsega temperature navedenog u uputstvima. Neproprisan punjenje ili punjenje pri temperaturama izvan okvira određenog opsega može oštetiti bateriju i povećati opasnost od požara.

SERVISIRANJE

- **Servisiranje uređaja prepustite kvalifikovanom osoblju za popravak koje upotrebljava samo identične zamjenske dijelove.** Time će se osigurati održavanje sigurnosti uređaja.
- **Nemojte nikada servisirati oštećene kompletne baterija.** Servisiranje kompleta baterija smiju obavljati samo proizvođač ili ovlašteni serviseri.

SIGURNOSNA UPUTSTVA ZA AKUMULATORSKI VENTILATOR S FUNKCIJOM RASPRŠIVANJA VODENE MAGLICE

- **Ventilator se ne smije upotrebljavati kao igračka.** Potreban je poseban oprez kada ventilator upotrebljavaju djeca ili kada se upotrebljava u blizini djece.
- **Djeca mogu pasti u kante i utopiti se.** Držite djecu podalje od kanti koje sadrže čak i malu količinu tekućine.
- **Upotrebljavajte SAMO čistu, hladnu vodu.**
- **Ovaj ventilator s funkcijom raspršivanja vodene maglice nemojte upotrebljavati za raspršivanje pesticida, tekućih gnojiva, hemikalija ili bilo koje druge tekućine osim čiste vode.** Raspršivanje ovih supstanci može rezultirati teškim povredama ili bolešću rukovaoca ili prisutnih osoba.
- **Vodenu maglicu ili vodu nemojte nikada usmjeravati na električne instalacije ili uređaje.**
- **Provjerite je li poklopac pretinca za baterije potpuno zatvoren kako biste spriječili da voda dođe u kontakt s baterijom ili uđe u priključak za bateriju.**
- **Uređaj i pripadajuću ručku održavajte suhim, čistim i očišćenim od ulja i masti. Za čišćenje uvijek upotrebljavajte čistu krpu. Za čišćenje ventilatora nemojte nikada upotrebljavati koćione tekućine, benzin, proizvode na bazi nafte ili jaka otapala.** Pridržavanjem ovog pravila smanjit će se opasnost od gubitka kontrole nad uređajem i trošenje plastičnih dijelova kućišta.
- **Baterije mogu eksplodirati u prisutnosti izvora paljenja, kao što je na primjer pomoćni plamenik. Radi izbjegavanja opasnosti od teških tjelesnih povreda, baterijski proizvod nemojte nikada upotrebljavati u prisutnosti otvorenog plamena. Eksplodirana baterija može odbaciti krhotine i hemikalije. U slučaju izlaganja zahvaćena mjesta odmah isperite vodom.**
- **Sačuvajte ova uputstva.** Uputstvima se koristite često i upotrebljavajte ih za upućivanje drugih osoba koje mogu upotrebljavati ovaj ventilator. Ako ovaj ventilator nekom

posudite, priložite i ovo uputstvo radi sprečavanja nepropisne upotrebe proizvoda i mogućih povreda.

- **Imajte na umu da velike količine vlažnosti mogu podstaknuti rast bioloških organizama u okruženju.**
- **Nemojte dozvoliti da područje oko ventilatora s funkcijom raspršivanja vodene maglice postane vlažno ili mokro.** Ako se pojavi vlaga, smanjite snagu ventilatora s funkcijom raspršivanja vodene maglice. Ako se snaga ventilatora s funkcijom raspršivanja vodene maglice ne može smanjiti, ovlaživač upotrebljavajte povremeno. Nemojte dozvoliti da upijajući materijali kao što su tepisi, zavjese, zastori ili stolnjaci postanu vlažni.
- **Nemojte nikada ostavljati vodu u spremniku kada se uređaj ne upotrebljava.**
- **Ventilator s funkcijom raspršivanja vodene maglice ispraznite i očistite prije skladištenja. Očistite ovlaživač prije sljedeće upotrebe.**

⚠ UPOZORENJE! Mikroorganizmi koji mogu biti prisutni u vodi ili u okruženju u kojem se uređaj upotrebljava ili skladišti mogu rasti u spremniku za vodu i ispuštati se u zrak, što može dovesti do vrlo ozbiljnih zdravstvenih rizika ako se voda ne mijenja i spremnik propisno ne čisti svaka 3 dana.

- **Punjive baterije je prije punjenja potrebno izvaditi iz uređaja.**
- **Istrošene baterije je potrebno izvaditi iz uređaja i sigurno zbrinuti.**
- **Ako se uređaj neće upotrebljavati duže vrijeme, bateriju je potrebno izvaditi.**
- **Kontakti za napajanje ne smiju se kratko spojati.**

SAČUVAJTE OVA UPUTSTVA!

TEHNIČKI PODACI

Napon	56 V
Prečnik lopatice ventilatora	45,7 cm
Postavke brzine ventilatora	6 (uključujući režim rada "Turbo")
Maks. količina zraka	7000 m ³ /h
Maks. brzina zraka	10,3 m/s
Količina vode za vodenu maglicu	I: 4,5 l/h II: 11,4 l/h
Preporučena temperatura skladištenja	-20°C - 70°C
Masa (bez kompleta baterija)	10,4 kg

BS

LISTA PAKOVANJA

NAZIV DIJELA		KOGUS
Ventilator s funkcijom raspršivanja vodene maglice		1
Sklop točka	Točak	2
	Poklopac glavčine	2
	Vijak s podloškom	2
Sklop gornje ručke	Gornja ručka	1
	Vijak s podloškom	4
Ključ		1
Rezervna mlaznica		1
Korisnički priručnik		1

OPIS

UPOZNAJTE SVOJ VENTILATOR S FUNKCIJOM RASPRŠIVANJA VODENE MAGLICE (sl. A i sl. A1)

- Gornja ručka
- Kućište ventilatora
- Blokirno okretno dugme kućišta ventilatora
- Točak (x2)
- Mlaznica za raspršivanje vodene maglice (x4)
- Teleskopska ručka
- Pretinac za baterije
- Usisno crijevo
- Filter
- Upravljačko sučelje
- Dugme napajanja
- Indikator brzine zraka
- Indikator TURBO režima rada
- Dugme za TURBO režim rada
- Dugme za podešavanje brzine zraka
- Dugme za odabir režima rada raspršivanja vodene maglice
- Indikator raspršivanja vodene maglice

BS

SASTAVLJANJE

⚠ UPOZORENJE! Ako je bilo koji dio oštećen ili ako nedostaje, nemojte upotrebljavati ovaj proizvod dok ne zamijenite dijelove. Upotreba ovog proizvoda oštećenih dijelova ili dijelova koji nedostaju može rezultirati teškim tjelesnim povredama.

⚠ UPOZORENJE! Nemojte pokušavati da modifikujete ovaj proizvod ili da pravite dodatnu opremu koja nije preporučena za upotrebu s ovim ventilatorom. Sve takve izmjene ili modifikacije predstavljaju nepropisnu upotrebu i mogu rezultirati opasnim stanjima koja mogu dovesti do mogućih teških tjelesnih povreda.

⚠ UPOZORENJE! Kada postavljate dijelove, obavljate radove podešavanja, čišćenja ili kada ne upotrebljavate proizvod, komplet baterija uvijek izvadite iz proizvoda. Vađenjem kompleta baterija spriječit će se iznenadno pokretanje koje može uzrokovati teške tjelesne povrede.

POSTAVLJANJE TOČKOVA (sl. B)

- Poravnajte rupu na jednom od točkova s osovinom točka ventilatora i postavite točak na osovinu.
- Provcite jedan od vijaka točka kroz rupu na točku u osovinu točka i pritegnite vijak priloženim ključem.
- Pričvrstite poklopac glavčine na točak.
- Postavite drugi točak na način opisan u koracima 1 - 3.

PRIČVRŠČIVANJE GORNJE RUČKE (sl. C)

- Poravnajte četiri priložena vijka s rupama na gornjoj ručki i rupama na kućištu ventilatora.
- Umetnite vijke i pritegnite ih isporučnim ključem.

Opis dijelova sa sl. B i sl. C pogledajte u nastavku:

B-1	Točak (2)	B-3	Vijak s podloškom (2)
B-2	Osovina točka (2)	B-4	Poklopac glavčine (2)
C-1	Gornja ručka	C-2	Vijak s podloškom (4)
C-3	Rupa za vijak		

RAD

⚠ UPOZORENJE! Nemojte dozvoliti da vas poznavanje ovog proizvoda učini nepažljivim. Imajte na umu da je za nanošenje teških povreda dovoljan samo djelić sekunde nepažnje.

⚠ UPOZORENJE! Nemojte upotrebljavati priključke ili pribor koje nije preporučio proizvođač ovog proizvoda. Upotreba nepreporučenih priključaka ili pribora može rezultirati teškim tjelesnim povredama.

Prije svake upotrebe pregledajte cijeli proizvod na postojanje oštećenih, nedostajućih ili otpuštenih dijelova, kao što su vijci, matice, osovinice, kapice, itd. Dobro pritegnite sve pričvrstne elemente i kapice i nemojte upotrebljavati ovaj proizvod dok ne postavite sve dijelove koji nedostaju ili zamijenite sve oštećene dijelove.

⚠ UPOZORENJE! Kada postavljate dijelove, obavljate radove podešavanja, čišćenja ili kada ne upotrebljavate proizvod, komplet baterija uvijek izvadite iz proizvoda. Vađenjem kompleta baterija spriječit će se iznenadno pokretanje koje može uzrokovati teške tjelesne povrede.

PRIMJENE

Ovaj proizvod možete upotrebljavati za svrhe navedene u nastavku:

- Opća ventilacija u većini primjena u domaćinstvu
- Hlađenje na otvorenom kada je uređaj spojen na izvor vode

PODEŠAVANJE UGLA VENTILATORA (sl. D)

1. Uхватite za gornju ručku da pridržite kućište ventilatora.
2. Blokirno okretno dugme kućišta ventilatora okrenite u smjeru SUPROTNOM SMJERU KRETANJA KAZALJKI NA SATU da otpustite podesivo kućište ventilatora.
3. Nagnite podesivo kućište ventilatora naprijed ili nazad do željenog ugla. Ventilator se može zakrenuti do 90° naprijed i 135° unazad.
4. Za učvršćivanje kućišta ventilatora pod željenim uglom, blokirno okretno dugme okrenite u SMJERU KRETANJA KAZALJKI NA SATU.

POSTAVLJANJE/SKIDANJE KOMPLETA BATERIJA (sl. E)

Proizvod upotrebljavajte samo s EGO kompletima baterija i punjačima koji su navedeni na sl. A2.

Komplet baterija potpuno napunite prije prve upotrebe.

Postavljanje

1. Povucite poklopac pretinca za baterije da ga otvorite.
2. Poravnajte kontakte baterije s montažnim torima i pritišćite komplet baterija prema dolje dok ne začujete zvuk klikanja.

Skidanje

1. Pritisnite dugme za oslobađanje baterije i izvucite komplet baterija.
2. Gurnite poklopac pretinca za baterije da ga zatvorite. Provjerite je li potpuno zatvoren kako biste spriječili da voda dođe u kontakt s baterijom ili uđe u priključak za bateriju.

Opis dijelova sa sl. E pogledajte u nastavku:

E-1	Dugme za oslobađanje baterije
E-2	Poklopac pretinca za baterije

POKRETANJE/ZAUSTAVLJANJE VENTILATORA S FUNKCIJOM RASPRŠIVANJA VODENE MAGLICE

NAPOMENA! Početna tvornička postavka za brzinu zraka je nivo 3. Ventilator će spremi zadnju korištenu postavku brzine zraka i vratit će se na nju nakon ponovnog pokretanja.

VAŽNO! Postavka Turbo režima rada neće se spremi.

NAPOMENA! Postavka raspršivanja vodene maglice neće se spremi i prema zadanim postavkama isključena je svaki put kada se ventilator uključi.

DUGME NAPAJANJA

- Za UKLJUČIVANJE ventilatora kratko pritisnite dugme napajanja.
- Za ISKLJUČIVANJE ventilatora ponovo kratko pritisnite dugme napajanja.

PODEŠAVANJE BRZINE ZRAKA

Normalna brzina zraka

- Za povećanje brzine zraka pritisnite dugme "+", a za smanjenje brzine zraka pritisnite dugme "-". Postoji 5 nivoa brzine.
- Indikator brzine zraka prikazuje zelena svjetla u skladu s aktualnim nivoima brzine.

TURBO režim rada

- Pritisnite dugme "TURBO", indikator TURBO režima rada će zasvijetliti zeleno, a ventilator će se prebaciti u "TURBO" režim rada, tj. najvišu brzinu zraka.
- Kada je ventilator u "TURBO" režimu rada, ponovo pritisnite dugme "TURBO". Indikator TURBO režima rada će se isključiti, a ventilator će nastaviti s radom u prethodno aktivnoj brzini zraka.
- Kada je ventilator u "TURBO" režimu rada, pritisnite dugme "-". Indikator TURBO režima rada će se isključiti, a ventilator će se prebaciti u nivo brzine zraka 5.

FUNKCIJA RASPRŠIVANJA VODENE MAGLICE

UPOTREBA VENTILATORA S KANTOM VODE (NIJE U SADRŽAJU ISPORUKE) (sl. F)

⚠ UPOZORENJE! Djeca mogu pasti u kante i utopiti se. Držite djecu podalje od kanti koje sadrže čak i malu količinu tekućine.

NAPOMENA! Kantu prije svake upotrebe očistite sapunom i vodom.

1. Odspojite komplet baterija.
2. Postavite kantu na ravnu, vodoravnu površinu.
3. U kantu ulijte SAMO čistu, hladnu vodu. Nemojte previše puniti kantu.
4. Uronite filter na kraju usisnog crijeva u kantu s vodom.

NAPOMENA! Nemojte savijati usisno crijevo i uvijek vodite računa da voda ravnomjerno teče kroz crijevo.

5. Umetnite komplet baterija i zatvorite poklopac pretinca za baterije.
6. Za UKLJUČIVANJE ventilatora pritisnite dugme napajanja.
7. Za pokretanje režima rada raspršivanja vodene maglice pritisnite dugme za odabir režima rada raspršivanja vodene maglice:
 - jednom pritisnite dugme za odabir režima rada raspršivanja vodene maglice i zasvijetlit će dva zelena svjetla indikatora raspršivanja vodene maglice, što ukazuje na 'kontinuirani' režim rada raspršivanja vodene maglice - raspršivanje vodene maglice cijelo vrijeme bez zaustavljanja.

NAPOMENA! Može proći oko 15 sekundi prije nego što prvi put vidite kako maglica izlazi iz mlaznica za raspršivanje vodene maglice. Ova odgoda postoji zbog vremena koje je potrebno da voda proteče iz kante s vodom do mlaznica.

- Ponovo pritisnite dugme za odabir režima rada raspršivanja vodene maglice i zasvijetlit će jedno zeleno svjetlo indikatora raspršivanja vodene maglice, što ukazuje na 'isprekidani' režim rada raspršivanja vodene maglice - raspršivanje vodene maglice po 5 sekundi svakih 10 sekundi.
- Kada je režim rada raspršivanje u isprekidanom režimu rada, ponovo pritisnite dugme za odabir režima rada raspršivanja vodene maglice i svjetla indikatora raspršivanja vodene maglice će se isključiti, a raspršivanje vodene maglice će prestati.

BS

NAPOMENA! Po završetku režima rada raspršivanja vodene maglice izvucite usisno crijevo iz vode i pogonite

ventilator u režimu rada raspršivanja vodene maglice dok iz crijeva ne izađe sva voda. Time se sprečava da zaostala voda u crijevu izazove neočekivano raspršivanje vodene maglice kada se ventilator ponovno pokrene.

UPOTREBA VENTILATORA BEZ FUNKCIJE RASPRŠIVANJA VODENE MAGLICE

Ako želite, ovaj proizvod možete upotrebljavati i kao ventilator samo kada nije spojen na izvor vode. Kada nije u upotrebi, usisno crijevo uvijek postavite na predviđeno mjesto za skladištenje (pogledajte odjeljak "SKLADIŠTENJE" u ovom uputstvu) da ga zaštitite od oštećenja i kontaminacije.

INTERNA ZAŠTITA

Ako je funkcija raspršivanja vodene maglice aktivirana, a vodena maglica ne izlazi:

- Pumpa za vodu nastavlja raditi kratko vrijeme, a zatim se automatski zaustavlja radi zaštite unutrašnje elektronike.
- Zavisno od režima rada raspršivanja vodene maglice, nakratko će zasvijetliti jedno zeleno svjetlo ili dva zelena svjetla indikatora raspršivanja vodene maglice, a zatim će kontinuirano treperiti zeleno kao upozorenje rukovaocu:
 - a. Provjerite je li usisno crijevo ispravno uronjeno u vodu.
 - b. Provjerite je li mlaznica/jesu li mlaznice za raspršivanje vodene maglice začepljena/e i očistite je/ih u skladu s uputama u poglavlju "ODRŽAVANJE MLAZNICA".
 - c. Za ponovno pokretanje režima rada raspršivanja vodene maglice pritisnite dugme za odabir režima rada raspršivanja vodene maglice.

ODRŽAVANJE

⚠ UPOZORENJE! Kada obavljate radove servisiranja, upotrebljavajte samo identične zamjenske dijelove. Upotreba drugih dijelova može uzrokovati opasnost ili oštećenje proizvoda. Radi osiguranja sigurnosti i pouzdanosti, sve popravke treba obavljati kvalifikovani servisni tehničar.

⚠ UPOZORENJE! Radi izbjegavanja teških tjelesnih povreda, uvijek izvadite komplet baterija iz proizvoda prije obavljanja radova čišćenja ili održavanja.

OSNOVNO ODRŽAVANJE

Kada čistite plastične dijelove, izbjegavajte upotrebljavati rastvore. Mnoge plastike mogu se oštetiti različitim vrstama komercijalnih rastvora i mogu se oštetiti njihovom upotrebom. Za uklanjanje prljavštine, prašine, ulja, masti i sl. upotrebljavajte čiste krpe.

⚠ UPOZORENJE! Nemojte nikada dozvoliti da kočione tekućine, benzin, proizvodi na bazi nafte, penetrirajuća ulja i sl., dođu u kontakt s plastičnim dijelovima. Hemikalije mogu oštetiti, oslabiti ili uništiti plastiku, što može rezultirati teškim tjelesnim povredama.

ODRŽAVANJE MLAZNICA (sl. G)

⚠ UPOZORENJE! Provjerite jesu li svi radovi održavanja mlaznica za raspršivanje vodene maglice obavljani propisno kako biste izbjegli curenje vode. Curenja mogu rezultirati skliskom površinom koja izaziva opasnost od klizanja i pada ili oštećenja imovine.

Čišćenje mlaznica

1. Isključite ventilator i izvadite komplet baterija.
2. Začepljene mlaznice za raspršivanje vodene maglice od mesinga uklonite okretanjem u smjeru SUPROTNOM SMJERU KRETANJA KAZALJKI NA SATU.
3. Svaku zahvaćenu mlaznicu rastavite na dijelove.
4. **Sve strane čestice** koje začepljuju ili ograničavaju mlaznice **uklonite** ispiranjem dijelova mlaznice vodom. **Naslage kamenca (minerala) uklonite** čišćenjem dijelova mlaznice bijelim sirćetom ili drugim sredstvom za uklanjanje kamenca ako je potrebno.
5. Ponovo sastavite mlaznice.

NAPOMENA! Kako biste izbjegli začepljenje, provjerite je li mlaznica sastavljena tačno onako kako je prikazano na slici G.

6. Ponovo pričvrstite čiste mlaznice.

ODRŽAVANJE FILTERA (sl. H)

Povremeno pregledajte filter na kraju usisnog crijeva kako biste bili sigurni da je u dobrom stanju.

1. Izvucite filter iz usisnog crijeva.
2. Odvijanjem rastavite filter na dijelove i izvadite spužvasti filter.
3. Ispirajte spužvasti filter ili zamijenite ga ako je potrebno.
4. Ponovo sastavite filter i spojite ga na usisno crijevo.

Opis dijelova sa sl. H pogledajte u nastavku:

H-1	Filter	H-3	Spužvasti filter
H-2	Gornji dio	H-4	Donji dio

ODRŽAVANJE KUĆIŠTA VENTILATORA

(sl. I1 i sl. I2)

⚠ UPOZORENJE! Prije uklanjanja štitnika uvjerite se da su kompleti baterija izvađeni iz proizvoda.

1. Otpustite i uklonite šest vijaka kako biste DJELIMIČNO podigli prednji rešetkasti štitnik s kućišta ventilatora.

⚠ OPREZ! Kako biste izbjegli oštećenje, nemojte potpuno ukloniti prednji rešetkasti štitnik bez da PRVO odvojite usisno crijevo.

2. Pritisnite crnu gumu na kraju matice da izvučete usisno crijevo.
3. U cijelosti uklonite prednji rešetkasti štitnik.
4. Okrenite poklopac za zabravljivanje lopatice ventilatora u smjeru kretanja kazaljki na satu da lopaticu ventilatora otpustite s osovine.
5. Uklonite lopaticu ventilatora.
6. Očistite lopaticu ventilatora i unutrašnjost kućišta ako je potrebno.
7. Ponovo ih sastavite obrnutim redoslijedom i provjerite:
 - je li usisno crijevo ispravno spojeno na maticu.
 - je li usisno crijevo propisno postavljeno u utor na rešetkastom štitniku.

Opis dijelova sa sl. I1 i I2 pogledajte u nastavku:

I1-1	Prednji rešetkasti štitnik	I1-4	Crna guma
I1-2	Vijak (6)	I1-5	Usisno crijevo
I1-3	Matica	I2-1	Poklopac za zabravljivanje
I2-2	Lopatica ventilatora		

TRANSPORT

- Ventilator je opremljen gornjom ručkom koja omogućuje nošenje ventilatora na kratke udaljenosti ili po neravnoj površini/terenu.
- Za transport na velike udaljenosti upotrebljavajte teleskopsku ručku za kotrljanje ventilatora. Gornju ručku upotrijebite da nagnete ventilator, a zatim izvlačite teleskopsku ručku dok ne začujete zvuk klikanja. Kada ne upotrebljavate teleskopsku ručku, gurnite je u alat (sl. J).

SKLADIŠTENJE

1. Izvadite komplet baterija.
2. Detaljno očistite ventilator.
3. Ispraznite usisno crijevo i filter.

4. Stavite usisno crijevo u položaj predviđen za skladištenje na stražnjoj strani ventilatora (sl. K1 i sl. K2).
5. Ventilator skladištite na suhom, dobro prozračenom mjestu izvan dohvata djece. Ventilator nemojte skladištiti na gnojivima, benzinu ili drugim hemikalijama niti u njihovoj blizini.

ZAŠTITA ŽIVOTNE SREDINE



Električnu opremu, iskorištenu bateriju i punjač ne odlažite u kućni otpad! Ovaj proizvod odnesite u ovlaštenu centar za reciklažu i time omogućite odvojeno sakupljanje. Električne alate potrebno je vratiti u ekološki prihvatljiv pogon za reciklažu.

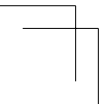
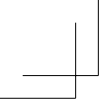
OTKLANJANJE PROBLEMA

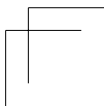
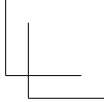
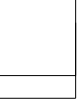
PROBLEM	UZROK	RJEŠENJE
Alat ne radi.	<ul style="list-style-type: none"> ■ Nizak kapacitet kompleta baterija. ■ Komplet baterija ili ventilator je previše vruć. 	<ul style="list-style-type: none"> ■ Napunite komplet baterija. ■ Isključite ventilator i pričekajte da se ventilator i komplet baterija ohlade.
Nema raspršivanja vodene maglice i trepere dva zelena svjetla indikatora raspršivanja vodene maglice.	<ul style="list-style-type: none"> ■ Usisno crijevo ne usisava vodu, što aktivira unutrašnju zaštitu za vodenu pumpu u alatu. ■ Mlaznica/e za raspršivanje vodene maglice se začepila/e tokom rada, što aktivira unutrašnju zaštitu za vodenu pumpu. 	<ul style="list-style-type: none"> ■ Provjerite i uvjerite se da u kanti ima dovoljno vode i da je usisno crijevo propisno uronjeno u vodu. ■ Očistite mlaznicu/mlaznice u skladu s uputama u poglavlju “ODRŽAVANJE MLAZNICA” i ponovo ih sastavite prema uputama.
Voda može curiti nakon radova održavanja na kućištu ventilatora.	<ul style="list-style-type: none"> ■ Matica koja spaja usisno crijevo neočekivano se otpustila. 	<ul style="list-style-type: none"> ■ Otvorite kućište ventilatora u skladu s uputama u poglavlju “ODRŽAVANJE KUĆIŠTA VENTILATORA”. <p>Pregledajte i uvjerite se da je matica potpuno pritegnuta.</p>

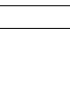
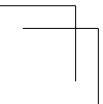
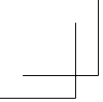
GARANCIJA

POLITIKA GARANCIJE PROIZVOĐAČA EGO

Za sve odredbe i uslove politike garancije proizvođača EGO posjetite internetsku stranicu egopowerplus.com.







استكشاف الأعطال وإصلاحها

المشكلة	السبب	الحل
الآلة لا تعمل.	<ul style="list-style-type: none"> شحن مجموعة البطارية منخفض. مجموعة البطارية أو المروحة ساخنان للغاية. 	<ul style="list-style-type: none"> اشحن مجموعة البطارية. أطفئ المروحة، وارك المروحة ومجموعة البطارية ببردان.
لا يوجد رذاذ ماء، ويومض مؤشر الرذاذ بلمبتين من اللمبات الخضراء.	<ul style="list-style-type: none"> لا يقوم أنبوب الإدخال بشفط الماء، مما يؤدي إلى تفعيل الحماية الداخلية لمضخة الماء داخل الآلة. حدث انسداد في فوهة (فوهات) الرذاذ أثناء التشغيل، مما أدى إلى تفعيل الحماية الداخلية لمضخة الماء. 	<ul style="list-style-type: none"> تحقق وتأكد من وجود كمية كافية من الماء في الدلو، وأن أنبوب الإدخال مغمور بشكل صحيح في الماء. قم بتنظيف الفوهة (الفوهات) وفقاً لقسم "صيانة الفوهة"، وأعد تجميعها على النحو الموضح.
هناك تسرب للماء بعد صيانة هيكل المروحة.	<ul style="list-style-type: none"> الصامولة المربوطة بأنبوب الإدخال صارت مفككة بشكل غير مقصود. 	<ul style="list-style-type: none"> افتح هيكل المروحة وفقاً لفصل "صيانة هيكل المروحة". افحص الصامولة وأربطها بكل إحكام.

الضمان

سياسة ضمان EGO

تفضل بزيارة الموقع الإلكتروني egopowerplus.com للتعرف على الشروط والأحكام الكاملة الخاصة بسياسة ضمان EGO.

⚠ تحذير: لمنع التلف، لا تقم بإزالة وافي الشبكة الأمامية تمامًا دون فصل أنبوب الإدخال أولاً.

2. اضغط على الجزء المطاطي الأسود في نهاية الصامولة لسحب أنبوب الإدخال للخارج.
3. قم بإزالة وافي الشبكة الأمامية تمامًا.
4. قم بتدوير غطاء قفل ريشة المروحة في اتجاه عقارب الساعة لتحرير ريشة المروحة من العمود.
5. اخلع ريشة المروحة.
6. قم بتنظيف ريشة المروحة والجزء الداخلي من الهيكل بحسب الضرورة.
7. أعد تجميعهم باتباع الترتيب العكسي، وتأكد من:
 - توصيل أنبوب الإدخال بشكل صحيح بالصامولة.
 - يتم وضع أنبوب الإدخال بشكل صحيح في الفتحة الموجودة على وافي الشبكة.

للتعرف على شرح الأجزاء في الشكلين 11 و 12 انظر أدناه

الجزء المطاطي الأسود	11-4	وافي الشبكة الأمامية	11-1
أنبوب الإدخال	11-5	مسمار (6)	11-2
غطاء القفل	12-1	صامولة	11-3
		ريشة المروحة	12-2

النقل

- المروحة مزودة بمقبض علوي لحمل المروحة لرحلات المسافات القصيرة أو عند عبور سطح/تضاريس وعرة.
- للنقل لمسافات طويلة، استخدم المقبض التلسكوبي لتحريك المروحة على العجلات. استخدم المقبض العلوي لإمالة المروحة، ثم اسحب المقبض التلسكوبي حتى تسمع "نقرة". عند عدم استخدام المقبض التلسكوبي، ادفعه إلى داخل الآلة (الشكل ل).

التخزين

1. اخلع مجموعة البطارية.
2. نظف المروحة جيدًا.
3. أفرغ أنبوب الإدخال والفنتر.
4. ضع أنبوب الإدخال في أي موضع من مواضع التخزين الموجودة في الجزء الخلفي من المروحة (الشكل K1 والشكل K2).
5. خزن المروحة في منطقة جافة جيدة التهوية بعيدًا عن متناول أيدي الأطفال. لا تقم بتخزين المروحة على الأسمدة أو البنزين أو المواد الكيميائية الأخرى، أو بجوارها.

حماية البيئة

لا تتخلص من المعدات الكهربائية أو البطارية المستهلكة أو الشاحن في النفايات المنزلية! بل توجه بهذا المنتج إلى مركز إعادة تدوير معتمد ليكون متاحًا للفرز بشكل منفرد. تجب إعادة الآلات الكهربائية إلى مرفق إعادة تدوير صديق للبيئة.



الصيانة العامة

تجنب استخدام المنظفات عند تنظيف الأجزاء البلاستيكية. غالبية المكونات البلاستيكية تكون سريعة التأثر بالأنواع المختلفة للمنظفات الموجودة بالسوق، وقد تتلف نتيجة استخدامها عليها. استخدم قطعة قماش نظيفة لإزالة الأوساخ والأتربة والزيوت والشحوم وما شابههم.

⚠ تحذير: لا تسمح في أي وقت من الأوقات بملامسة سوائل الفرامل أو البنزين أو المنتجات القائمة على البترول أو الزيت المتغلغل أو ما شابههم للأجزاء البلاستيكية. لأن المواد الكيميائية قد تتسبب في تلف الأجزاء البلاستيكية أو ضعفها أو تدميرها، وهو ما قد يؤدي إلى وقوع إصابات خطيرة.

صيانة الفوهة (الشكل G)

⚠ تحذير: تأكد من إجراء جميع أعمال صيانة فوهة الرذاذ بشكل صحيح لمنع تسرب الماء. يمكن أن تؤدي التسربات إلى وجود سطح رائق، مما يخلق خطر الانزلاق والسقوط أو يتسبب في تلف الممتلكات.

لتنظيف الفوهات

1. أطفئ المروحة واخلع مجموعة البطارية.
 2. قم بإزالة فوهات الرذاذ النحاسية المسدودة عن طريق تدويرها عكس اتجاه عقارب الساعة.
 3. قم بتفكيك كل فوهة مسدودة إلى أجزاء.
 4. لإزالة أي جسيمات غريبة تسد الفوهات أو تحد من سريان الماء فيها، اشطف أجزاء الفوهة بالماء. لإزالة تراكم القشور (المعدنية)، قم بتنظيف أجزاء الفوهة بالخل الأبيض أو بمنجنج إزالة تكلسات آخر بحسب الضرورة.
 5. أعد تجميع الفوهات.
- ملاحظة:** لمنع الانسداد، تأكد من تجميع الفوهة كما هو موضح في الشكل G تمامًا.
6. أعد تركيب الفوهات النظيفة.

صيانة الفلتر (الشكل H)

افحص الفلتر الموجود في نهاية أنبوب الإدخال بشكل دوري للتأكد من أنه في حالة جيدة.

1. اسحب الفلتر من أنبوب الإدخال.
 2. قم بفك الفلتر إلى أجزاء- وأخرج الشبكة الإسفنجية.
 3. اشطف الشبكة الإسفنجية أو استبدلها إذا لزم الأمر.
 4. أعد تجميع الفلتر وأعد توصيله بأنبوب الإدخال.
- للتعرف على شرح الأجزاء في الشكل H انظر أدناه

H-1	الفلتر	H-3	الشبكة الإسفنجية
H-2	الجزء العلوي	H-4	الجزء السفلي

صيانة هيكل المروحة (الشكل 11 والشكل 12)

⚠ تحذير: تأكد من إزالة مجموعات البطارية من المنتج قبل خلع الواقي.

1. قم بفك المسامير الستة وإزالتها لرفع وافي الشبكة الأمامية جزئيًا من هيكل المروحة.

هام: لن يتم حفظ ضبط وضع "تربو".

ملاحظة: لن يتم حفظ ضبط الرذاذ، وسيتم إيقاف تشغيله افتراضياً في كل مرة يتم فيها تشغيل المروحة.

زر الطاقة

- اضغط على زر الطاقة لوهلة قصيرة لتشغيل المروحة.
- اضغط على زر الطاقة لوهلة قصيرة مرة أخرى لإيقاف تشغيل المروحة.

ضبط سرعة الهواء

سرعة الهواء العادية

- اضغط على الزر "4" لزيادة سرعة الهواء، واضغط على الزر "-" لتقليل سرعة الهواء. هناك 5 مستويات سرعة.
- مؤشر سرعة الهواء به لمبات خضراء تتوافق مع مستوى السرعة الحالي.

وضع "تربو"

- اضغط على زر "TURBO" (تربو)، فيضئ مؤشر "تربو" باللون الأخضر وتدخل المروحة في وضع "تربو"، أي أعلى سرعة هواء.
- عندما تكون المروحة في وضع "تربو"، اضغط على زر "تربو" مرة أخرى، وحينها سينطفئ مؤشر "تربو" وتواصل المروحة العمل على ضبط السرعة النشط السابق.
- عندما تكون المروحة في وضع "تربو"، اضغط على زر "4"، وحينها سينطفئ مؤشر "تربو" وتنتقل المروحة إلى مستوى سرعة الهواء 5.

وظيفة الرذاذ

استخدام المروحة مع دلو ماء (الشكل F)

⚠ تحذير: قد يقع الأطفال في الدلاء ويغرقون. أبق الأطفال بعيداً عن الدلاء حتى ولو كانت تحتوي على كمية صغيرة من السوائل.

ملاحظة: نظف الدلو بالماء والصابون قبل كل استخدام.

1. افصل مجموعة البطارية.
2. ضع الدلو على سطح مستو ومسطح.
3. أضف ماء نظيفاً بارداً إلى الدلو. لا تملأ بشكل زائد عن الحد.
4. اغمر طرف الفلتر الخاص بأنبوب الإدخال لأسفل في دلو الماء.

ملاحظة: لا تقم ببتني أنبوب الإدخال، وتأكد دائماً من تدفق الماء بسلاسة عبر الأنبوب.

5. قم بتركيب مجموعة البطارية، وأغلق غطاء حجيرة البطارية.
6. اضغط على زر الطاقة لتشغيل المروحة.
7. اضغط على زر تحديد وضع الرذاذ لبدء رذاذ الماء:

- اضغط على زر تحديد وضع الرذاذ مرة واحدة، وسيقوم مؤشر الرذاذ بإضاءة الثنتين من اللمبات الخضراء، والتي تشير إلى وضع الرذاذ "المستمر" - الرذاذ طوال الوقت بدون توقف.

ملاحظة: قد يستغرق الأمر حوالي 15 ثانية قبل أن ترى الرذاذ يخرج بالفعل من فوهات الرذاذ في المرة الأولى.

يرجع هذا التأخير إلى الوقت الذي يستغرقه تدفق الماء من دلو الماء إلى الفوهات.

- اضغط على زر تحديد وضع الرذاذ مرة أخرى، وسيقوم مؤشر الرذاذ بإضاءة لمبة خضراء واحدة، والتي تشير إلى وضع الرذاذ "المتقطع" - الرذاذ لمدة 5 ثوانٍ كل 10 ثوانٍ.

- عندما تكون المروحة في وضع الرذاذ المتقطع، اضغط على زر تحديد وضع الرذاذ مرة أخرى، وحينها سينطفئ مؤشر الرذاذ وتتوقف عملية الرذاذ.

ملاحظة: عند الانتهاء من عملية الرذاذ، اسحب أنبوب الإدخال من الماء، وقم بتشغيل المروحة في وضع الرذاذ إلى إن يتم تبريد الماء تماماً من الأنبوب. فهذا يساعد على منع الماء المتبقي في الأنبوب من التسبب في رذاذ غير متوقع عند بدء تشغيل المروحة مرة أخرى.

استخدام المروحة بدون رذاذ

إذا رغبت في ذلك، يمكن استخدام هذا المنتج كمروحة فقط، عندما لا يكون متصلاً بمصدر ماء. عندما لا تكون المروحة قيد الاستخدام، ضع دائماً أنبوب الإدخال في منطقة التخزين الخاصة به (انظر قسم "التخزين" في هذا الدليل) لحمايته من التلف والتلوث.

الحماية الداخلية

عندما يتم تنشيط وظيفة الرذاذ ولكن مع عدم خروج رذاذ ماء:

- ستستمر مضخة الماء في العمل لفترة قصيرة، وبعد ذلك تتوقف تلقائياً لحماية المكونات الإلكترونية الداخلية.
- بحسب وضع الرذاذ، سيفوم مؤشر الرذاذ بإضاءة لمبة أو لمبتين من اللمبات الخضراء بشكل ثابت لفترة قصيرة، وبعد ذلك تومض اللمبة (اللمبات) الخضراء بشكل متواصل كإشارة للمشغل من أجل:

- a. التحقق مما إذا كان أنبوب الإدخال مغموراً بشكل صحيح في الماء.
- b. التحقق مما إذا كانت الفوهة (الفوهات) مسدودة، وتنظيفها وفقاً لقسم "صيانة الفوهة".
- c. اضغط على زر تحديد وضع الرذاذ لإعادة بدء رذاذ الماء.

الصيانة

⚠ تحذير: استخدم فقط قطع غيار أصلية عند إجراء أعمال الصيانة. لأن استخدام أي أجزاء أخرى قد ينشأ عنه خطر أو يتسبب في تعرض المنتج للتلف. لضمان السلامة والاعتمادية، يجب تنفيذ جميع أعمال الإصلاح من قبل فني خدمة مؤهل.

⚠ تحذير: لتجنب التعرض لإصابات خطيرة، احرص دائماً على خلع مجموعة البطارية من المنتج عند تنظيفه أو إجراء أي أعمال صيانة عليه.

قبل كل استخدام، افحص المنتج بأكمله بحثاً عن الأجزاء التالفة أو المفقودة أو المفكوكة، مثل المسامير المولوية والصواميل والمسامير والأغطية وما شابه. اربط جميع عناصر التثبيت والأغطية بإحكام، ولا تقم بتشغيل هذا المنتج إلا بعد استبدال جميع الأجزاء المفقودة أو التالفة.

⚠ تحذير: احرص دائماً على خلع مجموعة البطارية من المنتج عند تجميع الأجزاء، أو عمل التعديلات، أو التنظيف، أو عند عدم استخدامها. خلع مجموعة البطارية سيمنع بدء التشغيل غير المقصود، وهو ما قد يؤدي إلى وقوع إصابات شخصية خطيرة.

الاستخدامات

يمكنك استخدام هذا المنتج للأغراض الموضحة أدناه:

- التهوية العامة في معظم الاستخدامات المنزلية
- التبريد في الأماكن المفتوحة أثناء توصيله بمصدر ماء

ضبط زاوية المروحة (الشكل D)

1. أمسك المقبض العلوي لتثبيت هيكل المروحة.
2. قم بتدوير بكرة قفل الهيكل عكس اتجاه عقارب الساعة لضبط هيكل المروحة القابل للضبط.
3. قم بإمالة هيكل المروحة القابل للتعديل للأمام أو للخلف إلى الزاوية المرغوب فيها. يمكن للمروحة أن تميل حتى 90 درجة للأمام وحتى 135 درجة للخلف.
4. قم بتدوير بكرة القفل في اتجاه عقارب الساعة لتثبيت هيكل المروحة على الزاوية المرغوب فيها.

لتركيب/خلع مجموعة البطارية (الشكل E)

لا تستخدم الآلة إلا مع مجموعات بطارية وشواحن EGO المدرجة في الشكل A2.

اشحن البطارية بالكامل قبل الاستخدام لأول مرة.

للتركيب

1. اسحب غطاء حجيرة البطارية لفتحه.
2. قم بمحاذاة دعائم البطارية مع فتحات التركيب، واضغط على مجموعة البطارية لأسفل إلى أن تسمع صوت "نقرة".

للفصل

1. اضغط لأسفل على زر تحرير البطارية، واخلع مجموعة البطارية.
2. ادفع غطاء حجيرة البطارية لإغلاقه. تأكد من إغلاقه جيداً لمنع الماء من الاتصال بالبطارية أو الدخول إلى منفذ البطارية.

للتعرف على شرح الأجزاء في الشكل E انظر أدناه

E-1	زر تحرير البطارية
E-2	غطاء حجيرة البطارية

لبدء تشغيل/إيقاف مروحة الرذاذ

ملاحظة: الضبط الافتراضي الأولي لسرعة الهواء يكون على المستوى 3. ستحفظ المروحة آخر ضبط مستخدم لسرعة الهواء، وستعود إليه عند إعادة التشغيل.

12. مؤشر سرعة الهواء
13. مؤشر وضع "تربو"
14. زر وضع "تربو"
15. زر ضبط سرعة الهواء
16. زر تحديد وضع الرذاذ
17. مؤشر الرذاذ

التجميع

⚠ تحذير: إذا حدث تلف أو فقد في أي أجزاء، لا تقم بتشغيل هذا المنتج إلا بعد استبدال الأجزاء. استخدام هذا المنتج مع وجود أجزاء تالفة أو مفقودة قد يؤدي إلى وقوع إصابات شخصية خطيرة.

⚠ تحذير: لا تحاول إجراء أي تعديلات على هذا المنتج أو ابتداء ملحقات غير موصى بها للاستخدام مع هذه المروحة. أي تغيير أو تعديل من هذا النوع يعتبر سوء استخدام، وقد يؤدي إلى وضع خطير قد يتسبب في وقوع إصابات شخصية خطيرة محتملة.

⚠ تحذير: احرص دائماً على خلع مجموعة البطارية من المنتج عند تجميع الأجزاء، أو عمل التعديلات، أو التنظيف، أو عند عدم استخدام المنتج. خلع مجموعة البطارية سيمنع بدء التشغيل غير المقصود، وهو ما قد يؤدي إلى وقوع إصابات شخصية خطيرة.

تجميع العجلات (الشكل B)

1. قم بمحاذاة فتحة إحدى العجلات مع محور العجلة الموجود بالمروحة، وقم بتركيب العجلة على المحور.
2. قم بتمرير أحد مسامير العجلة عبر فتحة العجلة في محور العجلة، ثم أحكم ربط المسامير باستخدام مفتاح الربط المرفق.
3. ثبت غطاء مركز العجلة على العجلة.
4. قم بتجميع العجلة الأخرى باتباع الخطوات أعلاه من 1 إلى 3.

تركيب المقبض العلوي (الشكل C)

1. قم بمحاذاة المسامير الأربعة المرفقة مع الفتحات الموجودة في المقبض العلوي والفتحات الموجودة في هيكل المروحة.
 2. أدخل المسامير، ثم أحكم ربطها بمفتاح الربط المرفق.
- للتعرف على شرح الأجزاء في الشكلين B و C انظر أدناه:

B-1	العجلة (2)	B-3	مسامير مع وردة (2)
B-2	محور العجلة (2)	B-4	غطاء مركز العجلة (2)
C-1	المقبض العلوي	C-2	مسامير مع وردة (4)
C-3	فتحة المسامير		

التشغيل

⚠ تحذير: لا تسمح لاعتيادك على تشغيل هذا المنتج أن يجعلك مستهتراً عند التعامل معه. ولا تنس أن الاستهتار لجزء من الثانية كافٍ للتسبب في حدوث إصابات خطيرة.

⚠ تحذير: لا تستخدم أي مرفقات أو ملحقات سوى تلك الموصى بها من قبل الشركة الصانعة لهذا المنتج. لأن استخدام مرفقات أو ملحقات غير موصى بها قد يؤدي إلى وقوع إصابات شخصية خطيرة.

المواصفات

الجهد الكهربائي	56 فولت
قطر ريشة المروحة	45.7 سم
إعدادات سرعة المروحة	6 (بما في ذلك وضع "تربو")
الحد الأقصى لكمية الهواء	7000 م ³ /ساعة
الحد الأقصى لسرعة الهواء	10.3 م/ثانية
حجم ماء الرذاذ	I: 4.5 لتر/ساعة II: 11.4 لتر/ساعة
درجة حرارة التخزين الموصى بها	20- إلى 70 درجة مئوية
الوزن (بدون وحدة البطارية)	10.4 كجم

قائمة المحتويات

الكمية	اسم القطعة
1	مروحة الرذاذ
2	عجلة
2	غطاء مركز العجلة
2	مسمار مع وردة
1	المقبض العلوي
4	مسمار مع وردة
1	مفتاح ربط
1	فوهة احتياطية
1	دليل التشغيل

الوصف

تعرف على مروحة الرذاذ (الشكل A والشكل A1)

1. المقبض العلوي
2. هيكل المروحة
3. بكره قفل هيكل المروحة
4. عجلة (2x)
5. فوهة الرذاذ (4x)
6. مقبض تلسكوبي
7. حجيرة البطارية
8. أنبوب الإدخال
9. الفلتر
10. واجهة التحكم
11. زر الطاقة

- لا تقم أبداً بتوجيه الرذاذ أو الماء نحو أي أسلاك أو أجهزة كهربائية.
- تأكد من إغلاق غطاء حجيرة البطارية تماماً لمنع الماء من الاتصال بالبطارية أو الدخول إلى منفذ البطارية.
- احتفظ بالجهاز ومقبضه جافاً نظيفاً خالياً من الزيوت والشحوم. استخدم دائماً قطعة قماش نظيفة عند التنظيف. لا تستخدم أبداً سوائل الفرمال أو البنزين أو المنتجات القائمة على البترول أو أي محاليل قوية أخرى في تنظيف المروحة. يساعد الامتثال لتلك التعليمات في تقليل خطر فقد التحكم والحاق أضرار بالهيكل البلاستيكي.
- يمكن للبطاريات أن تنفجر في وجود مصدر إشعال، مثل الشعلة الدائمة. للحد من خطر التعرض للإصابات الشخصية الخطيرة، لا تستخدم أي منتجات لا سلكية في وجود أسنة لهب مباشرة. قد ينتج عن البطارية المنفجرة شظايا أو مواد كيميائية متطايرة. وإذا تعرضت لتلك الأشياء، اشطف المناطق المصابة بالماء على الفور.
- احتفظ بهذه التعليمات. راجعهم باستمرار واستخدمهم لتوجيه الآخرين عند استخدام هذه المروحة. إذا قمت بإقراض هذه المروحة لشخص آخر، أرفق معها هذه التعليمات لمنع سوء استخدام المنتج والإصابات المحتملة.
- يجب أن تترك أن ارتفاع مستويات الرطوبة قد يشجع على نمو الكائنات البيولوجية في البيئة.
- لا تسمح للمنطقة المحيطة بمروحة الرذاذ أن تصبح رطبة أو مبللة. إذا حدثت الرطوبة، قم بقلب مخرج مروحة الرذاذ لأسفل. إذا تعذر قلب مخرج مروحة الرذاذ لأسفل، فاستخدم المبرد بشكل منقطع. لا تسمح للمواد الماصة، مثل السجاد أو الستائر أو مفارش المائدة، بأن تصبح رطبة.
- لا تترك المياه في الخزان عندما لا يكون الجهاز قيد الاستخدام.
- قم بإفراغ وتنظيف مروحة الرذاذ قبل التخزين. نظف مبرد الهواء قبل استخدامه في المرة التالية.

تحذير: الكائنات الدقيقة التي قد تكون موجودة في الماء أو في البيئة حيث يتم استخدام الجهاز أو تخزينه يمكن أن تنمو في خزان الماء وتنتشر في الهواء، مما قد يتسبب في مخاطر صحية خطيرة للغاية عندما لا يتم تجديد الماء ولا يتم تنظيف الخزان بشكل صحيح كل 3 أيام.

- يجب إخراج البطاريات القابلة لإعادة الشحن من الجهاز قبل الشحن
- يجب خلع البطاريات المستهلكة من الجهاز والتخلص منها بشكل آمن
- إذا كنت ستترك الجهاز دون استخدام لفترات زمنية طويلة، يجب خلع البطاريات
- لا يجب عمل دائرة قصر (قفل الدائرة) بين أطراف التوصيل.

احتفظ بهذه التعليمات

استخدام الآلة العاملة بالبطارية والعناية بها

لا تُعد شحن الآلة إلا باستخدام الشاحن المحدد بواسطة الشركة الصانعة. فالشاحن الملائم لنوع ما من مجموعات البطارية قد يتسبب في نشوب حريق إذا تم استخدامه مع مجموعة بطارية أخرى.

استخدم الجهاز مع مجموعات البطاريات المخصصة له فقط لأن استخدام أي مجموعات بطارية أخرى قد يؤدي إلى التعرض لإصابات أو نشوب حريق.

عند عدم استخدام مجموعة البطارية، احتفظ بها بعيداً عن الأغراض المعدنية الأخرى مثل مشابك الأوراق أو العملات المعدنية أو المفاتيح أو المسامير أو البراغي أو الأغراض المعدنية الصغيرة الأخرى التي قد تتسبب في عمل دائرة قصر (قفّل للدائرة) بين أقطاب البطارية. عمل دائرة قصر (قفّل الدائرة) بين أطراف البطارية قد يتسبب في حروق أو نشوب حريق.

في حالات التعامل السيء، قد يحدث ارتشاح للسوائل من البطارية؛ لا تلامسه. إذا حدثت ملامسة بشكل عرضي، فاعسلها بالماء. إذا لامس السائل العينين، فاطلب المساعدة الطبية على الفور. السائل المرشح من البطارية قد يتسبب في حدوث احتياج في الجلد أو حروق.

لا تستخدم مجموعة البطارية أو الجهاز إذا كانا تالفيين أو تم إدخال تعديلات عليهما. لأن البطاريات التالفة أو التي تم تعديلها قد تعمل بشكل غير متوقع، وهو ما قد يؤدي لنشوب حريق أو حدوث انفجار أو خطر التعرض لإصابة.

لا تقم بتعريض مجموعة البطارية أو الجهاز للحريق أو درجات الحرارة الزائدة. التعرض لدرجات الحرارة الأعلى من 130 درجة مئوية قد يؤدي لحدوث انفجار.

اتبع تعليمات الشحن ولا تشحن مجموعة البطارية أو الجهاز في نطاق درجة حرارة خارج النطاق المحدد في التعليمات. قد يؤدي الشحن غير المضبوط أو في درجات حرارة خارج النطاق المسموح به إلى تلف البطارية وخطر نشوب حريق.

الصيانة

ينبغي إجراء الصيانة على الجهاز بواسطة فني إصلاح متخصص باستخدام قطع غيار أصلية مطابقة فقط. فهذا سيضمن المحافظة على سلامة الجهاز.

لا تقم بصيانة مجموعات البطارية التالفة بأي حال من الأحوال. بل ينبغي أن تكون صيانة مجموعات البطارية من خلال الشركة الصانعة أو مقدمي الخدمة المعتمدين فقط.

تعليمات السلامة الخاصة بمروحة الرذاذ

لا تسمح باستخدام المروحة كلعبة. المراقبة الصليقة واجبة عند الاستخدام بواسطة الأطفال، أو وجوده بالقرب منهم.

قد يقع الأطفال في الدلاء ويفرقون. ابق الأطفال بعيداً عن الدلاء حتى ولو كان فيها كمية صغيرة من السوائل.

استخدم فقط ماء نظيفاً وبارداً.

لا تستخدم مروحة الرذاذ هذه في رش المبيدات الحشرية أو الأسمدة السائلة أو المواد الكيميائية أو أي سوائل بخلاف الماء النظيف. لأن رذاذ تلك المواد قد يؤدي لوقوع إصابات خطيرة أو الإصابة بأمراض على المشغل أو المراقبين.

امنع بدء تشغيل الآلة غير المتعمد. احرص على أن يكون مفتاح الطاقة في وضع الإيقاف قبل توصيل الآلة بمجموعة البطاريات، أو التقاط الجهاز أو حملته. إذا حملت الجهاز وإصبعك على مفتاح التشغيل أو إذا شحنته والمفتاح على وضع التشغيل، فقد يؤدي ذلك لوقوع حوادث.

أزل أي مفتاح تعديل أو مفتاح ربط قبل تشغيل الجهاز. قد يؤدي ترك مفتاح ربط أو مفتاح عادي مركباً على جزء دوار بالجهاز إلى وقوع إصابات شخصية.

لا تقف في مكان تضطر لمد يدك بعيداً. قف وأنت ثابت ومتوازن في جميع الأوقات. وهو ما يسمح بتحكم أفضل في الجهاز في الظروف غير المتوقعة.

ارتد الملابس الملائمة. لا ترتد ملابس أو مجوهرات غير ثابتة. احتفظ بشعرك وملابسك بعيداً عن الأجزاء المتحركة. قد تعلق الملابس الفضفاضة أو المجوهرات أو الشعر الطويل في الأجزاء المتحركة.

تأكد من أن جميع الوصلات آمنة قبل تشغيل الجهاز.

لا تدع الخبرة المكتسبة من الاستخدام المتكرر للأجهزة تجعلك تتعامل دون الانتباه اللازم وتتجاهل مبادئ السلامة المتعلقة بالجهاز. فقد يتسبب أي إجراء غير مدروس في إصابات خطيرة في جزء من الثانية.

استخدام المنتج والعناية به

لا تستخدم الجهاز إذا كان مفتاح التشغيل لا يمكن نقله إلى وضع التشغيل أو وضع الإيقاف. أي جهاز لا يمكن التحكم فيه بمفتاح التشغيل يعتبر خطيراً ويجب إصلاحه.

اخلع مجموعة البطارية من الجهاز قبل إجراء أي أعمال تعديل، أو تغيير للملحقات، أو تخزين للجهاز، وما إلى ذلك. إجراءات السلامة الوقائية هذه تحد من خطر تشغيل الجهاز بشكل خاطئ.

خزن الجهاز غير المستخدم بعيداً عن متناول أيدي الأطفال ولا تسمح للأشخاص غير المعتمدين على استخدام الجهاز أو على هذه التعليمات بتشغيل الجهاز. فالأجهزة تكون خطيرة في أيدي الأشخاص غير المرشدين.

حافظ على الجهاز والملحقات. تحقق من عدم محاذاة الأجزاء المتحركة أو ربطها، أو وجود كسور في الأجزاء، أو أي حالة أخرى قد تؤثر على عمل الجهاز. إذا كان هناك تلف، فقم بإصلاح الجهاز قبل استخدامه. فالعديد من الحوادث تحدث بسبب الأجهزة التي لا تتم صيانتها بشكل منتظم.

استخدم الجهاز والملحقات وما إلى ذلك وفقاً لهذه التعليمات، مع الأخذ في الاعتبار بظروف العمل والمهام التي سيتم تنفيذها. قد يؤدي استخدام الجهاز في أعمال غير تلك المخصص لها إلى حوادث خطيرة.

احتفظ بالمقابض وأسطح الإمساك جافة ونظيفة وخالية من الزيوت والشحوم. لأن المقابض وأسطح الإمساك المزلزلة لا تمنحك القدرة على التعامل والتحكم الآمنين في الآلة في المواقف غير المتوقعة.

تحذير: للحد من خطر نشوب حريق أو التعرض لصدمة كهربائية، لا تستخدم هذه المروحة باستخدام جهاز تحكم في السرعة ذي الحالة الصلبة.

النوع أو خصائص التيار	تيار مستمر	==
الجهد الكهربائي	فولت	V
الطول أو الحجم	سنتيمتر	cm
السرعة	متر في الثانية	m/s
معدل التدفق	لتر في الساعة	L/h
درجة الحرارة	درجة مئوية	°C
الوزن	كيلوجرام	kg

اقرأ جميع التعليمات!



⚠ تحذير: لضمان السلامة والاعتمادية، يجب تنفيذ جميع أعمال الإصلاح واستبدال الأجزاء من قبل فني خدمة مؤهل.

رموز السلامة

الغرض من رموز السلامة هو جذب انتباهك إلى المخاطر المحتملة. رموز السلامة والشروح المصاحبة لها تمتحق اهتمامك وفهمك الدقيق. تحذيرات كل رمز، بنفسها، لا تمنع وقوع أي خطر. التعليمات والتحذيرات التي تمنحك إياها لا تعد بديلاً عن تطبيق الإجراءات الملائمة لمنع وقوع الحوادث.

⚠ تحذير: احرص على قراءة وفهم جميع تعليمات السلامة في دليل التشغيل هذا، بما في ذلك جميع رموز تنبيهات السلامة، مثل "خطر"، و"تحذير" و"تنبيه" قبل استخدام هذه الآلة. عدم اتباع جميع التعليمات الواردة أدناه قد يؤدي إلى حدوث صدمة كهربائية أو نشوب حريق أو التعرض للإصابة الشخصية، أحدها أو جميعها.

تحذيرات السلامة العامة

⚠ تحذير: للحد من خطر التعرض لنشوب حريق أو صدمة كهربائية أو إصابة:








- تعرف على مروحة الرذاذ. احرص على قراءة دليل التعليمات بعناية. تعلم كيفية استخدام المروحة وحدودها، فضلاً عن المخاطر المحتملة المحددة التي تتعلق بهذه المروحة. يساعد الامتثال لتلك التعليمات في تقليل خطر حدوث صدمة كهربائية أو حريق أو إصابة خطيرة.
- هذا الجهاز غير مخصص للاستخدام من قبل الأشخاص (بما في ذلك الأطفال) من ذوي القدرات البدنية أو الحسية أو العقلية المحدودة أو من ليست لديهم خبرة أو معرفة، إلا في حال قيام شخص مسؤول بتقديم الإشراف أو التعليمات المتعلقة باستخدام الجهاز لهم من أجل سلامتهم.
- يجب الإشراف على الأطفال لضمان عدم عبثهم بالجهاز.

سلامة منطقة العمل

- لا تقم بتشغيل المروحة في أجواء قابلة للانفجار، على سبيل المثال في وجود سوائل أو غازات أو غبار قابلة للاشتعال.
- احتفظ بالأطفال والمشاهدين بعيداً عن موقع استعمال الجهاز. حيث أن الإلهاءات قد تجعلك تفقد السيطرة على الآلة.
- توخى الحذر عند الاستخدام أثناء هبوب الرياح. فقد تحمل الرياح الماء إلى الأسلاك الكهربائية أو الأجهزة.
- لا تقم بتعرض الجهاز للمطر أو الأجواء الرطبة. حيث سيؤدي الماء الذي يدخل إلى الجهاز إلى زيادة خطر حدوث صدمة كهربائية.

السلامة الشخصية

- ابق منتبهاً، وانتبه جيداً لما تفعله، وكن عاقلًا عند تشغيل الجهاز. لا تستخدم أي جهاز وأنت مجهد أو مضطرب أو تحت تأثير المخدرات أو الكحوليات أو الأدوية. قد تؤدي لحظة من عدم الانتباه أثناء تشغيل الجهاز إلى حدوث إصابات شخصية خطيرة.

	تنبيه سلامة	احتياطات تتعلق بسلامتك.
	اقرأ دليل التشغيل وافهمه	للحد من خطر الإصابة، يجب على المستخدم قراءة وفهم دليل التشغيل قبل استخدام هذا المنتج.
	حالة المطر	لا تُعرض المنتج للمطر.
	شهادة الجودة الأوروبية CE	هذا المنتج متوافق مع توجيهات شهادة الجودة الأوروبية (CE) المعمول بها.
	تقييم المطابقة UKCA	هذا المنتج متوافق مع تشريعات المملكة المتحدة المعمول بها.
	نفايات المعدات الكهربائية والإلكترونية (WEEE)	لا يجب التخلص من الأجهزة الكهربائية المستهلكة في النفايات المنزلية. توجه بالجهاز إلى مركز إعادة تدوير معتمد.
	درجة حماية الدخول IPX4	الحماية من تآثر الماء

איתור וטיפול בבעיות

הייעב	הביס	נורתפ
המכשיר אינו פועל.	<ul style="list-style-type: none"> קיבולת מארז סוללה נמוכה. מארז הסוללה או המערפל חמים מדי. 	<ul style="list-style-type: none"> הטען את מארז הסוללה. כבה את המערפל ואפשר למערפל ולסוללה להתקרר.
אין מי ערפול ומחונן הערפול ושתי נוריות ירוקות מהבהבות.	<ul style="list-style-type: none"> צינור היניקה אינו יונק מים, מה שמפעיל את מנגנון ההגנה הפנימית של משאבת המים בתוך המכשיר. זרבובי(ות) הערפול נסתמ(ו) במהלך הפעולה, והפעיל(ו) את מנגנון ההגנה הפנימית של משאבת המים. 	<ul style="list-style-type: none"> בדוק ו-וודא שיש מספיק מים בדלי ושיצינור היניקה שקוע כראוי במים. נקה את הזרבוביות בהתאם לפרק "תחזוקת הזרבובית" והרכב אותן מחדש בהתאם להוראות.
דליפת מים מתרחשת לאחר תחזוקת מארז המערפל.	<ul style="list-style-type: none"> האום המתחבר לצינור היניקה השתחרר באופן בלתי צפוי. 	<ul style="list-style-type: none"> פתח את מארז המערפל בהתאם לפרק "תחזוקת מארז המערפל". בדוק ו-וודא כי האום מהודק לחלוטין.

אחריות

מדיניות האחריות של EGO

בקר באתר egopowerplus.com כדי לעיין בתנאים וההתניות המלאים של מדיניות האחריות של EGO.

הביבסה לע הנגה

אין לזרוק ציוד חשמלי, מטעני סוללות וסוללות ביחד עם אשפה ביתית! קח מוצרים אלו למרכז מחזור מוסמך ו-וודא שהם זמינים לאיסוף בנפרד. יש להחזיר כלים חשמליים אל מתקן מחזור המתאים לסביבה.



1. שחרר והסר את ששת הברגים כדי להרים באופן חלקי את מגן הגריל הקדמי ממארז המערפל.
- ⚠ **זהירות:** כדי למנוע נזק, אין להסיר את מגן הגריל הקדמי לחלוטין מבלי לנתק קודם את צינור היניקה.
2. לחץ על הגומי השחור שבקצה האום כדי לשלוף את צינור היניקה.
3. הסר את מגן הגריל הקדמי לחלוטין.
4. סובב את מכסה נעילת להב המערפל בכיוון השעון כדי לשחרר את להב המערפל מהפיר.
5. הסר את להב המערפל.
6. נקה את להב המערפל ואת פנים המארז לפי הצורך.
7. הרכב אותם בסדר הפוך והקפד כי:
 - צינור היניקה מחובר כראוי לאום.
 - צינור היניקה ממוקם כראוי בתוך החריץ על מגן הגריל.

ראה תיאור החלקים I1 ו-I2 להלן

I1-1	מגן הגריל הקדמי	I1-4	גומי שחור
I1-2	בורג (6)	I1-5	צינור יניקה
I1-3	אום	I2-1	כיסוי נעילה
I2-2	להב מערפל		

הלבוה

- המערפל מצויד בידיית עליונה המאפשרת לשאת אותו בטיולים למרחקים קצרים או לחציית משטחים/שטחים קשים.
- בהובלה למרחקים ארוכים, השתמש בידיית הטלסקופית כדי לגלגל את המערפל. השתמש בידיית העליונה כדי להטות את המערפל ואז שלוף את הידיית הטלסקופית עד הישמע ה"קליק". כאשר הידיית הטלסקופית אינה בשימוש, דחוף אותה אל תוך הכלי (איור J).

נוסחא

1. הסר את מארז הסוללה.
2. נקה את המערפל ביסודיות.
3. רוקן את צינור היניקה ואת המסנן.
4. הנח את צינור היניקה בעמדת האחסון הממוקמת בחלק האחורי של המערפל (איור K1 ו-K2).
5. אחסן את יחידת הכוח במקום יבש, מאוורר היטב, הרחק מהישג ידם של ילדים. אין לאחסן את המערפל בקרבת חומרי דישון, חומרי דלק או כימיקלים אחרים.

תילכ הקזחת

הימנע משימוש בממסים כאשר אתה מנקה את חלקי הפלסטיק. רוב חלקי הפלסטיק עלולים להיזק מסוגים שונים של ממסים מסחריים ועל ידי השימוש בהם. השתמש במטליות נקיות על מנת להסיר לכלוך, אבק, שמן, חומר סיכה וכו'.

⚠ אזהרה: לעולם אל תאפשר לנוזלי בלימה, בנזין, מוצרים מבוססי בנזין, שמנים וכו', לבוא במגע עם חלקי הפלסטיק. חומרים כימיים עלולים להזיק, להחליש או להרוס את הפלסטיק והדבר עלול לגרום לפגיעה אישית חמורה.

G (ריא) תיבוצה תקזחת

⚠ אזהרה: יש לוודא שכל פעולת תחזוקה של זרבובית הערפול מבוצעת כראוי כדי למנוע דליפות מים. דליפות עלולות ליצור משטח חלקלק שעלול ליצור סכנת החלקה ונפילה או לגרום לנזק לרכוש.

תיבוצה תא תוקנל ידכ

1. כבה את המערפל והסר את מארז הסוללה.
2. הסר את זרבוביות הערפול עשויות הפלי הסתומות על ידי סיבובן בכיוון השעון.
3. פרק את הזרבובית לחלקים.
4. **כדי להסיר חלקיקים זרים** הסתמים או מגבילים את הזרבובית, יש לשטוף את חלקי הזרבובית במים. **כדי להסיר הצטברות אבנית (מינרלים)**, יש לנקות את חלקי הזרבובית בחומץ לבן או במסיר אבנית לפי הצורך.
5. הרכב מחדש את הזרבוביות.

הודעה: כדי למנוע סתימה, ודא כי הזרבובית מורכבת בדיוק כפי שמוצג באיור G.

6. חבר מחדש את הזרבוביות הנקיות.

H (ריא) ונסמה תקזחת

יש לבדוק מעת לעת את המסנן בקצה צינור הניקה כדי לוודא את תקינותו.

1. משוך את המסנן מצינור הניקה.
2. הוצא את ברגי המסנן והוצא את ספוגית הרשת.
3. שטוף את ספוגית הרשת או החלף אותה במידת הצורך.
4. הרכב מחדש את המסנן וחבר אותו לצינור הניקה. ראה את תיאור החלקים באיור H להלן

H-1	מסנן	H-3	רשת ספוג
H-2	חלק עליון	H-4	חלק תחתון

I2 (ריא I1 רויא) לפרעמה זראמ תקזחת

⚠ אזהרה: יש לוודא שמארזי הסוללה מוסרים מהמוצר לפני הסרת המגן.

■ לחץ שוב על לחצן בחירת מצב הערפול; נורית ירוקה אחת המציינת את מצב הערפול 'לסירוגין' תידלק - ערפול למשך 5 שניות כל 10 שניות.

■ כאשר הערפול במצב 'לסירוגין', לחץ שוב על כפתור בחירת מצב הערפול; נוריות חייוי הערפול ייכבו והערפול ייפסק.

הודעה: בתום פעולת הערפול, משוך את צינור הניקה מהמים והפעל את המערפל במצב 'ערפול' עד שכל המים יוצאים מהצינור. הדבר עוזר למנוע משאריות מים בצינור להוביל לערפול בלתי צפוי כאשר המערפל מתחיל שוב את פעולתו.

לפרע אלל ררוואמב שומיש

במידת הצורך, מוצר זה עשוי לשמש כמאוורר בלבד כאשר אינו מחובר למקור מים. כאשר אינו בשימוש, הנח תמיד את צינור הניקה באזור האחסון שלו (ראה סעיף "אחסון" במדריך זה) כדי להגן עליו מפני נזק וזיהום.

תימינפ הנגה

כשפונקציית הערפול מופעלת אך לא יוצא ערפל:

- משאבת המים תמשיך לפעול במשך זמן קצר ולאחר מכן תפסיק באופן אוטומטי על מנת להגן על האלקטרוניקה הפנימית.
 - בהתאם למצב הערפול, מחוון הערפול יציג נורה ירוקה אחת או שתי נוריות ירוקות קבועות למשך זמן קצר ולאחר מכן הנורה או הנוריות יתחילו להבהב כדי להתריע את המפעיל:
- a. לבדוק אם צינור הניקה טבול כראוי בתוך המים.
 - b. לבדוק אם זרבובי(ו)ת הערפול סתומ(ות) ולנקות אות(ו) בהתאם לפרק "תחזוקת הזרבובית".
 - c. לחץ על לחצן בחירת מצב הערפול כדי להפעיל מחדש את הערפול.

תחזוקה

⚠ אזהרה: במקרה של עבודות תיקון, השתמש רק בחלקי חילוף זהים. שימוש בחלקי חילוף אחרים עלול לגרום לסכנה או נזק למוצר. על מנת להבטיח בטיחות ואמינות, יש לבצע את כל התיקונים וההחלפות בעזרת טכנאי שירות מוסמך.

⚠ אזהרה: על מנת למנוע פגיעות אישיות, הסר תמיד את מארז הסוללה מן המוצר לפני הניקיון או ביצוע כל עבודת תחזוקה.

סימושי

ניתן להשתמש במוצר אך ורק לצורך המטרות המפורטות להלן:

- אורזרר כללי של הבית
- קירור חיצוני בעת חיבור למקור מים

D) (רויא) לפרעמה תיוז תמאתה

1. אחוז בידית העליונה כדי לאחוז במארז המערפל.
2. סובב את כפתור נעילת מארז המערפל נגד כיוון השעון כדי לשחרר את מארז המערפל המתכוונן.
3. הטה את מארז המערפל המתכוונן קדימה או אחורה לזווית הרצויה. המערפל יכול להסתובב עד 90° קדימה ועד 135° אחורה.
4. סובב את כפתור הנעילה בכיוון השעון כדי לאבטח את מארז המערפל בזווית הרצויה.

E) (רויא) הללוסה זראמ קותי/רוביח

יש להשתמש רק במארזי הסוללה והמטענים של EGO המפורטים באיור A2.

ןושארה שומישה ינפל האלמ הנעטה עצבל שי

רוביח

1. משוך את מכסה תא הסוללה כדי לפתוח אותו.
2. יישר את צלעות הסוללה עם חריצי ההרכבה ולחץ את מארז הסוללה כלפי מטה עד הישמע ה"קליק".

הרסה

1. לחץ על כפתור שחרור הסוללה והסר את מארז הסוללה.
2. פתח את מכסה תא הסוללה. ודא שהוא סגור לחלוטין כדי למנוע ממים לבוא במגע עם הסוללה או להיכנס לפתח הסוללה.

ראה תיאור החלקים באיור E להלן

E-1	כפתור שחרור הסוללה
E-2	מכסה תא הסוללה

לפרעמה תא רוצעל/ליחתלה

הודעה: הגדרת היצרן המקורית של מהירות האוויר היא רמה 3. המערפל שומר את הגדרת מהירות האוויר האחרונה שהייתה בשימוש וחוזר אליו עם כל הפעלה חדשה.

חשוב: הגדרת טורבו לא תישמר.

הודעה: הגדרת הערפול לא תישמר, וכברירת מחדל תהיה כבויה בכל פעם שהמערפל מופעל.

הלעפה נצחל

- לחץ על לחצן ההפעלה בקצרה כדי להדליק את המאוורר.

- לחץ שוב על לחצן ההפעלה בקצרה כדי לכבות את המאוורר.

תוריהמ ונווכ גתמ

הליגר ריווא תוריהמ

- לחץ על הכפתור "+" כדי להאיץ את מהירות האוויר ולחץ על הכפתור "-" כדי להקטין את מהירות האוויר. קיימות 5 רמות מהירות.
- מחוון מהירות האוויר מציג אורות ירוקים התואמים לרמות המהירות הנוכחיות.

נברוט בצמ

- לחץ על הכפתור "TURBO", מחוון ה-TURBO יידלק בירוק והמערפל יעבור למצב "TURBO", כלומר מהירות האוויר הגבוהה ביותר.
- במצב "TURBO", לחץ שוב על הכפתור "TURBO", מחוון ה-TURBO יכבה והמערפל יחדש את מהירות האוויר האחרונה שהופעלה.
- במצב "TURBO", לחץ על הכפתור "-", מחוון ה-TURBO יכבה והמערפל יעבור לרמת מהירות אוויר 5.

לופרעה תייצקנופ

F) (רויא) (לולכ אל) סימ ילד סע לפרעמב שומישה

⚠ אזהרה: ילדים עלולים ליפול לדליים ולטבוע. יש להרחיק ילדים מדליים המכילים אפילו כמות קטנה של נוזלים.

הודעה: יש לנקות את הדלי במים וסבון לפני כל שימוש.

1. נתק את מארז הסוללה.
2. הנח את הדלי על משטח שטוח ישר.
3. הוסף אך ורק מים נקיים וקרים לדלי. הימנע ממילוי יתר.
4. טבול את קצה המסנן של צינור היניקה לתוך דלי המים.

הודעה: אין לכופף את צינור היניקה, ותמיד לוודא שהמים זורמים בצורה חלקה דרך הצינור.

5. הנתק את מארז הסוללות וסגור את מכסה תא הסוללה.
6. לחץ על לחצן ההפעלה כדי להפעיל את המערפל.
7. לחץ על לחצן בחירת מצב הערפול כדי להתחיל את הערפול.

- לחץ על כפתור בחירת מצב הערפול פעם אחת; שתי נוריות ירוקות המציננות מצב ערפול 'רציף' יידלקו - ערפול מתמשך ללא עצירה.

הודעה: ייתכן שיחלפו עד 15 שניות לפני שתבחין בערפל יוצא מזרבוביות הערפול בפעם הראשונה. עיכוב זה נובע מהזמן שלוקח למים לזרום מדלי המים אל הזרבוביות.

תוכן האריזה

⚠ אזהרה: יש להסיר תמיד את מארז הסוללה מן המכשיר בעת הרכבת חלקים, ביצוע התאמות, ניקיון או כאשר המכשיר אינו בשימוש. על מנת למנוע הפעלה מקרית אשר עלולה להוביל לפגיעה אישית חמורה, הסירו תמיד את מארז הסוללה מן המכשיר.

B) (רויא) סילגלגה בתכרה

1. יישר את החור של אחד הגלגלים עם ציר הגלגל של המערפל, והרכב את הגלגל על הציר.
2. השחל את אחד הברגים דרך החור של הגלגל לתוך ציר הגלגל, ולאחר מכן הדק את הבורג עם מפתח הברגים שסופק.
3. הצמד את צלחת הגלגל על הגלגל.
4. הרכב את הגלגל השני לפי השלבים 1-3 לעיל.

C) (רויא) הנוילעה תידיה תדמצה

1. יישר את ארבעת הברגים שסופקו עם החורים בידיה העליונה והחורים במארז המערפל.
 2. הכנס את הברגים והדק אותם עם מפתח הברגים שסופק.
- ראה את תיאור החלקים באיור B ואיור C להלן:

B-1	גלגל (2)	B-3	בורג עם דיסקית (2)
B-2	ציר גלגל (2)	B-4	צלחת גלגל (2)
C-1	ידיה עליונה	C-2	בורג עם דיסקית (4)
C-3	חור בורג		

הפעלה

⚠ אזהרה: אל תניח לעובדה שאתה מכיר את המוצר להפוך אותך לפחות זהיר. זכור שחוסר זהירות של שבריר אחד של שנייה מספיק כדי לגרום לפגיעה אישית חמורה.

⚠ אזהרה: אין לעשות שימוש בחיבורים או אביזרים אשר לא הומלצו על ידי יצרן מוצר זה. השימוש בחיבורים או אביזרים אשר לא הומלצו עלול לגרום לפגיעה חמורה.

לפני כל שימוש, יש לבדוק את כל המוצר עבור חלקים ניזוקים, משוחררים או חסרים, כגון ברגים, אומים, בריחים, מכסים וכו'. יש להדק בבטחה את כל האבזמים והמכסים ואין להפעיל את המוצר עד אשר חלקים חסרים או ניזוקים תוקנו או הוחלפו.

⚠ אזהרה: יש להסיר תמיד את מארז הסוללה מן המוצר בעת הרכבת החלקים, ביצוע התאמות, ניקוי או כאשר אינו בשימוש. על מנת למנוע הפעלה מקרית אשר עלולה להוביל לפגיעה אישית חמורה, הסירו תמיד את מארז הסוללה מן המכשיר.

שם חלק		כמות
מערפל		1
מכלול הגלגל	גלגל	2
	צלחת גלגל	2
מכלול ידיה עליונה	בורג עם דיסקית	2
	ידיה עליונה	1
מפתח ברגים	בורג עם דיסקית	4
		1
זרבובית חילוף		1
מדריך למפעיל		1

תיאור

A1) (רויא A1) קלש לפרעמה תא רכה

1. ידיה עליונה
2. מארז מערפל
3. ידיה נעילה של מארז המערפל
4. גלגל (2x)
5. זרבובית ערפול (4x)
6. ידיה טלסקופית
7. תא סוללה
8. צינור יניקה
9. מסנן
10. ממשק בקרה
11. כפתור הפעלה
12. מחוון מהירות האוויר
13. מחוון טורבו
14. לחצן טורבו
15. לחצן התאמת מהירות האוויר
16. לחצן בחירת מצב ערפול
17. מחוון ערפול

הרכבה

⚠ אזהרה: אם ישנם חלקים ניזוקים או חסרים, אל תפעילו את המכשיר עד אשר חלקים אלו יוחלפו. שימוש במכשיר זה עם חלקים פגומים או חסרים עלול לגרום לפגיעה אישית חמורה.

⚠ אזהרה: אין לנסות לשנות את המוצר או להשתמש באביזרים שאינם מומלצים לשימוש ביחד עם המערפל. כל שינוי או הוספה מהווים שימוש לא נכון במכשיר ועלול ליצור תנאים מסוכנים שעלולים להוביל לפגיעה אישית.

- יש להקפיד שהאזור הסובב את המערפל אינו לח או רטוב. בתנאי לחות, יש להקטין את פלט המערפל. אם לא ניתן להקטין את פלט המערפל, יש להשתמש במכשיר האדים לסירוגין. אין לאפשר לחומרים סופגים כמו שטיחים, וילונות או מפות שולחן להירטב.
- לעולם אין להשאיר מים במאגר כאשר המכשיר אינו בשימוש.
- יש לרוקן ולנקות את המערפל לפני האחסון. יש לנקות את מכשיר האדים לפני השימוש הבא.

⚠ אזהרה: מיקרואורגניזמים העשויים לחיות במים או בסביבה בה המכשיר נמצא בשימוש או מאוחסן יכולים להתפתח במאגר המים, להתפוצץ באוויר ולהוביל לסיכונים בריאותיים חמורים מאוד אם לא מחדשים את המים או לא מנקים את המיכל כראוי כל שלושה ימים.

- יש להסיר סוללות טעונות מהמכשיר לפני הטעינה
- יש להסיר סוללות ריקות מהמכשיר ולהשליך אותן בבטחה
- יש להסיר את הסוללות מן המכשיר אם לא נעשה בו שימוש במשך תקופה ארוכה
- אין לקצר את מסופי האספקה.

הלא תוארה לע רומשל שי

מפרטים

וולט	56V
קוטר להב המאוורר	45.7 ס"מ
הגדרות מהירות מאוורר	6 (כולל "טורבו")
מקסימום נפח אוויר	7000 m ³ /h
מקסימום מהירות אוויר	10.3 מ'/שנייה
נפח מי ערפול	I: 4.5 ליטר/שעה
	II: 11.4 ליטר/שעה
טמפרטורת אחסון מומלצת	-20°C ~ 70°C
משקל (ללא מארז סוללה)	10.4 ק"ג

- יש לבצע את כל הוראות ההטענה ואין להטעין את מארז הסוללה או את הכלי החשמלי מחוץ לטווחי הטמפרטורה המצוינים בהוראות אלו. הטענה לא נכונה או מחוץ לטווחי הטמפרטורה המצוינים עלולים לגרום לנזק ולהעלות את הסיכון לשריפה.

תוריש

- יש לתקן את המכשיר אך ורק אצל ספק מוסמך ולהשתמש בחלקי חילוף זהים בלבד. הדבר יבטיח שבטיחות המכשיר נשמרת.
- אין לנסות לתקן מארזי סוללה שניזוקו. תיקון שלמארזי סוללה צריך להתבצע רק על ידי היצרן או ספקי שירות מוסמכים.

דיני לפרעמל תוחיטב תוארה

- אין להשתמש במערפל כצעצוע. נדרשת זהירות יתירה בעת שימוש על ידי ילדים או בקרבם.
- ילדים עלולים ליפול לדליים ולטבוע. יש להרחיק ילדים מדליים אפילו עם כמות קטנה של נוזלים.
- יש להשתמש רק במים נקיים וקרים.
- אין להשתמש במערפל כדי לרסס חומרי הדברה, דשנים נוזליים, כימיקלים או נוזלים אחרים מלבד מים נקיים. ריסוס חומרים אלה יכול לגרום לפציעה חמורה או מחלה לסובבים.
- לעולם אין לכוון ערפל או מים לעבר החיווט או מכשירים חשמליים כלשהם.
- יש לוודא שמסכה תא הסוללה סגור לחלוטין כדי למנוע ממים לבוא במגע עם הסוללה או להיכנס לפתח הסוללה.
- יש לשמור על המערפל והידית יבשים, נקיים וללא שמן או חומרי סיכה. יש להשתמש תמיד במטלית נקיה בעת הניקוי. לעולם אין להשתמש בנוזלי בלמים, דלק, מוצרים מבוססי בנזין או כל ממש חזק אחר כדי לנקות את המערפל. ביצוע הוראה זו יפחית את הסיכון לאבדן שליטה ולבלאי של חיפוי הפלסטיק.
- סוללות יכולות להתפוצץ בנוכחות מקור הצתה כגון להבית. כדי להפחית את הסיכון לנזק חמורה לעולם אל תשתמשו במוצרים אלחוטיים בנוכחות להבות גלויות. להבה שהתפוצצה יכולה להעיף סביב פסולת וכימיקלים. אם נחשפת, שטוף מיד בכמות גדולה של מים.
- יש לשמור על הוראות אלה. יש לעיין בהוראות לעתים תכופות ולעקוב אחריהן כדי שתוכלו להדריך אחרים העשויים להשתמש במכשיר. אם אתה משאיל את הכלי למישהו אחר, תן לו גם את ההוראות הללו על מנת למנוע שימוש לא נכון במכשיר או פציעות אפשריות.
- יש לקחת לתשומת הלב שרמות לחות גבוהות עשויות לעודד צמיחה של אורגניזמים ביולוגיים בסביבה.

- **אין לחשוף את המכשיר לגשם או לתנאים לחים.** חידרת מים למכשיר החשמלי מגבירה את הסיכון להתחשמלות.
- **תישיא תוחיטב**
- **יש להישאר דרוכים ומודעים, ולהשתמש בשכל הישר בעת שימוש במכשיר החשמלי.** אין להשתמש במערפל אם אתה חש עייפות או תחת השפעה של סמים, אלכוהול או תרופות. רגע אחד של חוסר תשומת לב בעת הפעלת המערפל עלול לגרום לפציעה אישית חמורה.
- **יש להימנע מהפעלה מקרית.** יש לוודא שהמתג במצב כבוי לפני חיבור המכשיר החשמלי למארז הסוללה, או לפני הרמתו או נשיאתו. אין לשאת את המכשיר כשאבעך על המתג.
- **יש להסיר כל כלי כוונון או מפתח ברגים לפני הפעלת המכשיר החשמלי.** מפתח ברגים או כלי כוונון המוצמדים אל רכיב מסתובב של המכשיר החשמלי עלול לגרום לפציעה אישית חמורה.
- **יש להימנע מהושטת יתר.** יש לשמור על צעד ואיזון בטוחים בכל עת. זה מאפשר שליטה טובה יותר במכשיר החשמלי במצבים בלתי צפויים.
- **יש ללבוש בגדים מתאימים.** אין ללבוש בגדים רפויים או תכשיטים. יש לשמור על השיער ועל חלקי ביגוד הרחק מחלקים נעים. בגדים רפויים, תכשיטים או שיער ארוך עלולים להתפס בחלקים הנעים.
- **יש לוודא שכל החיבורים מאובטחים לפני הפעלת המכשיר.**
- **יש להימנע מלנצל את ההיכרות שלך עם המכשיר החשמלי והשימוש התכוף בו כדי להיות שאנן או להתעלם מכללי הבטיחות במכשיר.** פעולה לא זהירה עלולה לגרום לפציעה חמורה בשבריר שנייה.
- **לפיטו שומי**
- **אין להשתמש במכשיר החשמלי אם מתג ההפעלה והכיבוי אינו פועל.** כל מערפל שלא ניתן לשלוט בו בעזרת המתג מסוכן ויש לתקנו.
- **יש לנתק את מארז הסוללה מהמערפל לפני ביצוע כל התאמה, שינוי אביזרים, או אחסון של המכשיר החשמלי.** הציות לאמצעי הבטיחות מפחית את הסיכון של הפעלת המכשיר בטעות.
- **יש לאחסן את המכשיר כשיאנו בשימוש מחוץ להישג ידם של ילדים ואין לאפשר לאנשים שאינם מכירים את המכשיר או את הוראות האלה להפעיל את המכשיר.** מכשירים חשמליים מסוכנים כאשר הם בהישג ידם של אנשים אשר לא הוכשרו להפעיל אותם.
- **יש לתחזק את המכשיר והאביזרים.** יש לוודא שאין אי התאמה או ליפוף של הרכיבים הנעים, שברירה של חלקים ותנאים אחרים אשר עלולים להשפיע על פעולת המערפל. אם המכשיר פגום, יש לתקן אותו לפני שימוש חוזר. תאונות רבות נגרמות כתוצאה מתחזוקה לקיחה של מערפלים.
- **יש להשתמש במכשירים חשמליים, באביזרים וכו' בהתאם להוראות אלו, ולקחת בחשבון את תנאי הסביבה בעת ההפעלה ואת העבודה שיש לבצע.** השימוש במכשיר החשמלי לפעולות שלהן הוא אינו מיועד עלול להוביל למצב מסוכן.
- **יש לשמור על הידיות ועל חלקי האחזקה יבשים, נקיים וללא שמן או חומרי סיכה.** ידיות ומשטחי אחיזה מחלקים לא מאפשרים טיפול נכון ושליטה במכשיר במצבים לא צפויים.
- **אזהרה:** כדי להפחית את הסיכון לשריפה או להתחשמלות, אין להשתמש במערפל זה עם כל התקן בקרת מהירות מוצק.
- **ילכה תללוסב לופיטהו שומישה**
- **יש להטעין רק עם המטען המצויין על ידי היצרן.** מטען המתאים למארז סוללה אחד עלול ליצור סכנת אש עבור מארז סוללה אחר.
- **יש להשתמש במכשירים חשמליים אך ורק עם מארזי הסוללה המיועדים להם.** השימוש במארזי סוללה אחרים עלול ליצור סיכון לפציעות ושרפות.
- **כאשר מארז הסוללה איננו בשימוש, שימרו עליו במרחק מסוים מעצמים אחרים העשויים ממתכת, כגון מהדקי נייר, מטבעות, מפתחות, מסמרים, ברגים או עצמים קטנים ממתכת העלולים לבצע חיבור של מסוף אחד למשנהו. ביצוע קצר בין מסופי הסוללה עלול לגרום לכוויות או שריפה.**
- **בתנאי שימוש לא נאותים, נזול עלול להיפלט מן הסוללה; הימנע ממגע עמו. אם ישנו מגע מקרי, שטוף את האזור במים.** אם מתרחש מגע עם העיניים, פנה לעזרה רפואית. נזול הנפלט מן הסוללה עלול לגרום לפריחה או כוויות.
- **אין להשתמש במארז סוללה או במכשירים חשמליים ניזוקים או אשר שוננו.** סוללות ניזוקות או אשר שוננו עלולות להתנהג בצורה לא צפויה אשר עלולה להסתיים בשריפה, פיצוץ או סיכון לפציעה אישית.
- **אין לחשוף את מארז הסוללה או את המכשיר לאש או לטמפרטורות גבוהות.** חשיפה אל אש או לטמפרטורות הגבוהות מ-130°C עלולה לגרום לפיצוץ.

IPX4	רמת הגנת כניסה	הגנה מפני התזת מים
==	זרם ישיר	סוג או מאפיין מתח
V	וולט	וולט
ס"מ	סנטימטר	אורך או גודל
מ/שנייה	מטרים בשנייה	מהירות
ליטר/שעה	ליטר לשעה	קצב זרימה
°C	צלזיוס	טמפרטורה
ק"ג	קילוגרם	משקל

אנא קרא את כל ההוראות!

קראו את המדריך למשתמש

⚠ אזהרה: על מנת להבטיח בטיחות ואמינות, כל התיקונים וההחלפות צריכים להתבצע על ידי טכנאי שירות מוסמך.

סמלי בטיחות

מטרתם של סמלי הבטיחות היא למשוך את תשומת לבך לסכנות אפשריות. סמלי הבטיחות וההסברים שלהם דורשים את תשומת הלב וההבנה המלאות שלך. סימני הבטיחות בעצמם לא ימנעו כל סכנה. ההוראות והאזהרות אותן הם מספקים לא תחלפנה נקיטת אמצעי מניעה מתאימים בעת תאונה.

⚠ אזהרה: וודא שאתה קורא ומבין את כל ההוראות הבטיחות המופיעות במדריך זה למשתמש, כולל את כל סמלי התרעות הבטיחות כגון "סכנה", "אזהרה" ו "זהירות" לפני השימוש במכשיר זה. אי מילוי אחר כל ההוראות המופיעות למטה עלול להוביל לשוק חשמלי, שריפה ו/או פציעות חמורות.

תיוולל תוחיטב תורהזא

⚠ אזהרה: כדי להפחית את הסיכון לשריפה, הלא חשמלי או פציעה:

- **הכר את המערפל שלך. יש לקרוא את מדריך ההוראות בעיון. יש להכיר את השימושים והמגבלות של המערפל וכן את הסיכונים הספציפיים הפוטנציאליים של המערפל.** ציאת להוראה זו יקטין את הסיכון להתחשמלות, שריפה או פציעה חמורה.
- מכשיר זה אינו מיועד לשימוש על ידי אנשים (כולל ילדים) בעלי יכולות פיזיות, חושיות או נפשיות מוגבלות, אנשים עם חוסר ניסיון וידע, אלא אם כן ישנו מישהו המפקח עליהם וניתנו להם הוראות בנושא השימוש במכשיר על ידי אדם האחראי לביטחונם.
- יש להשגיח על ילדים ולהבטיח שהם אינם משחקים עם המכשיר.

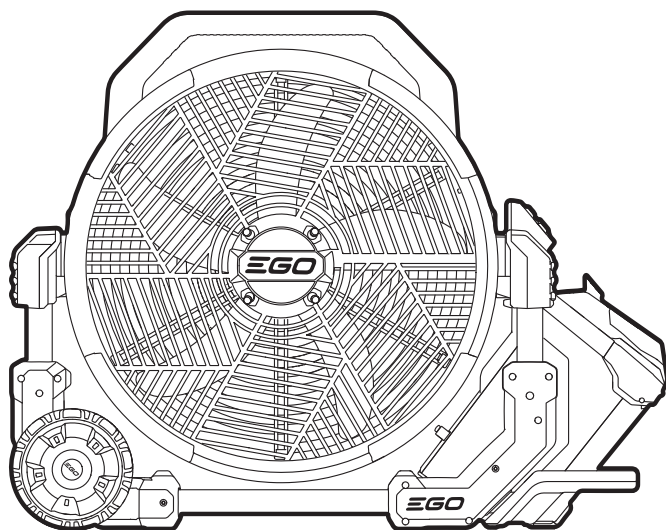
הדובעה תביטב תוחיטב

- **אין להפעיל את המערפל באזורים דליקים, כגון בקרבת נוזלים, גזים או חלקיקים דליקים.**
- **יש להרחיק ילדים ועוברי אורח מהמכשיר החשמלי בעת הפעלתו.** הסחות דעת עלולות לגרום לכם לאבד שליטה.
- **יש לנקוט בזהירות יתר בתנאי מזג אוויר סוערים.** רוחות עשיות להחדיר ערפילים לחיווט חשמלי או למכשירים חשמליים.

	התראת בטיחות	אמצעים הקשורים לבטיחותכם
	יש לקרוא ולהבין את המדריך למפעיל	על מנת להפחית את הסיכון לפציעות, על המשתמש לקרוא ולהבין את המדריך למשתמש לפני השימוש במוצר זה.
	מצב גשם	אין לחשוף לגשם.
	CE	מוצר זה תואם לתקנות ה-EC הרלוונטיות.
	אוקקה	מוצר זה תואם לחוקים הרלוונטיים בבריטניה.
	WEEE	אין לזרוק מוצרים חשמליים כחלק מאשפה ביתית. יש להביא את המכשיר למרכז מחזור מוסמך.

EGO™

POWER+ FAN



FN1800E

HE מערפל נייד עם סוללת ליתיום-יון 56 וולט

AR مروحة رذاذ لاسلكية ببطارية ليثيوم-أيون 56 فولت

