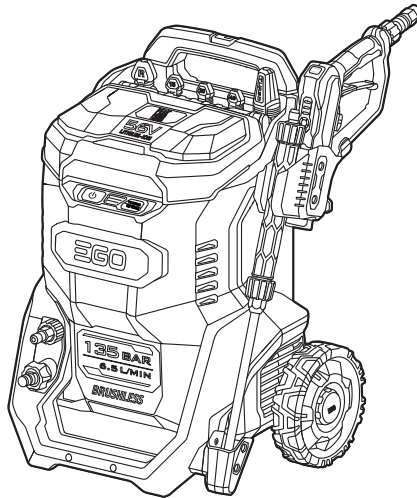


EGO™

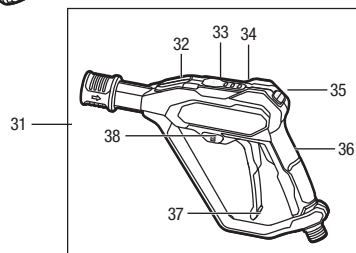
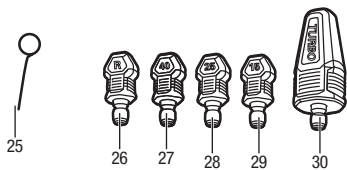
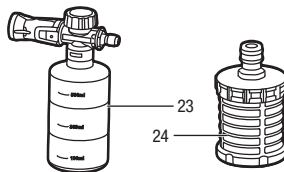
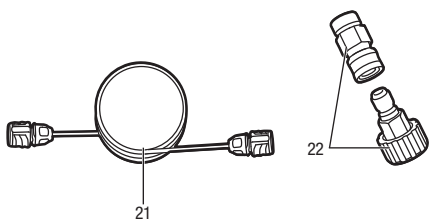
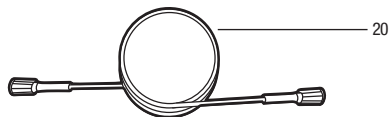
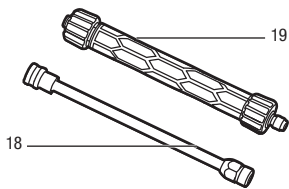
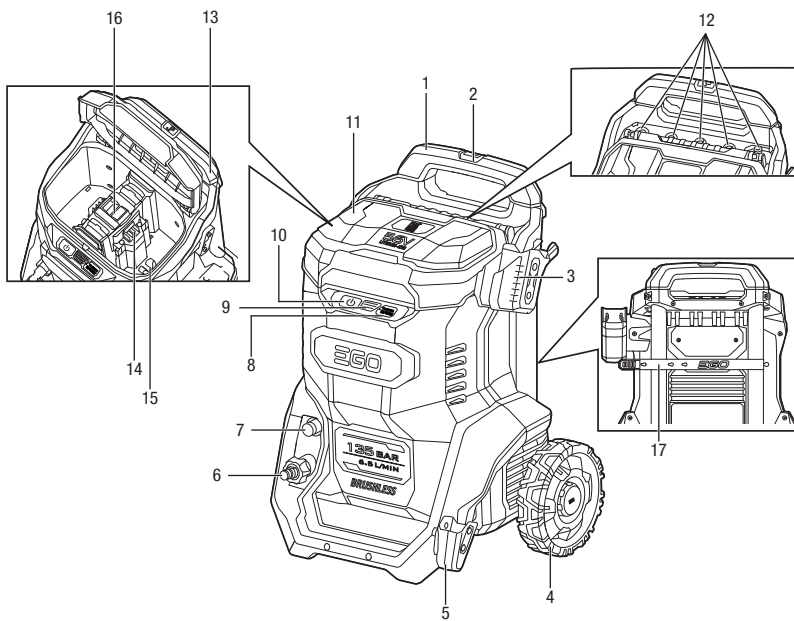
POWER⁺ CLEANING



HPW2000E

56V LITHIUM-ION PRESSURE WASHER

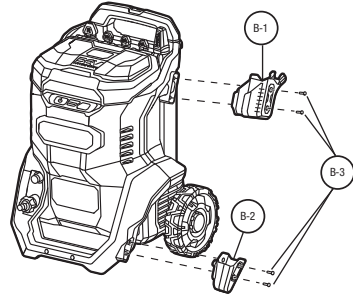
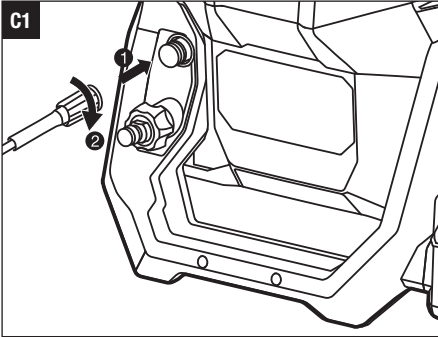
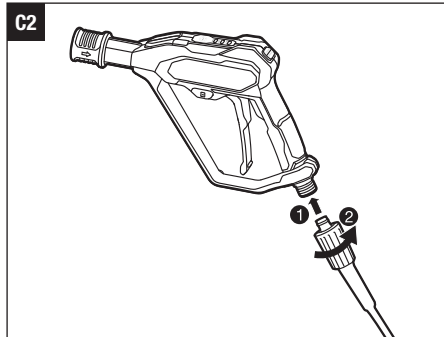
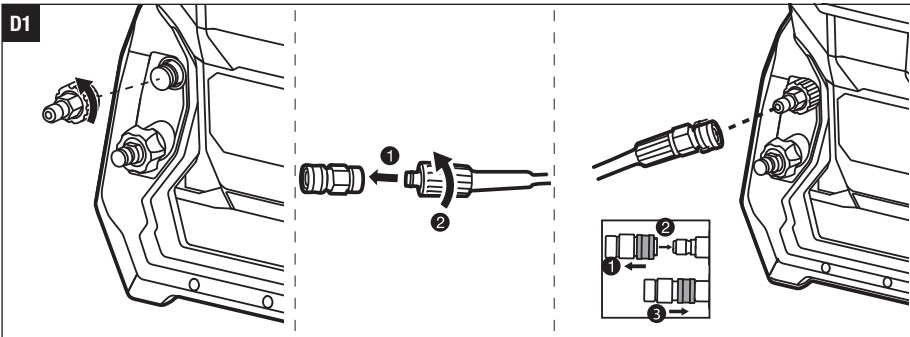
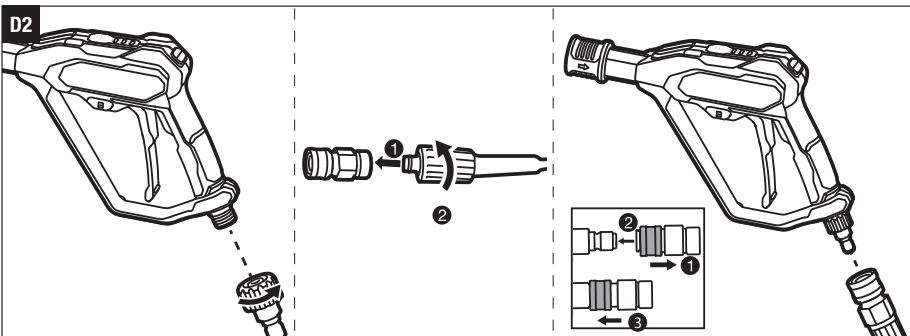
EN	56V lithium-ion pressure washer	7	HU	56V lítium-ionos nagynyomású mosó	148
DE	56 V lithium-ionen-hochdruckreiniger	16	RO	Aparat de spălat cu presiune 56V litiu-ion	158
FR	Nettoyeur haute pression lithium-ion 56 V	26	SL	56V litij-ionski tlačni čistilnik	168
ES	Hidrolimpiadora con batería de iones de litio de 56 V	36	LT	56 V ličio jonų slėginis plovimo įrenginys	177
PT	Máquina de lavagem de pressão com bateria de ião de lítio de 56V	46	LV	56V litija jonu augstspiediena mazgāšanas iekārta	186
IT	Idropulitrice con batteria agli ioni di litio 56V	55	GR	Πλαστικό μηχανήμα ionτων- λιθίου 56V	195
NL	56V lithium-ion hogedrukreiniger	64	TR	56V lityum-iyon basınçlı yıkama makinesi	205
DK	Højtryksrenser med 56V litium-ion-batteri	74	ET	56V litium-ioon survepesur	214
SE	56V litiumjon högtryckstvätt	83	UK	56-вольтна літій-іонна мийка високого тиску	223
FI	56 V:n litiumioniakulla toimiva painepesuri	92	BG	56V литиево-йонна водоструйка	233
NO	56V lithium-ion høytrykkspyler	101	HR	Visokotlačni perlač s litij-ionskom baterijom od 56 V	243
RU	Мойка высокого давления с литий-ионным аккумулятором 56 В	110	KA	56ვ ლითონუმ იონის დაწნეული წლის სარეცხი მოწყობილობა	252
PL	Mylka ciśnieniowa litowo-jonowa 56 V	120	SR	56 V litijum-jonski perlač pod pritiskom	265
CZ	56V lithium-iontová tlaková myčka	130	BS	Perlač pod pritiskom s litij-ionskom baterijom od 56 V	274
SK	56 V lítium-iónová tlaková umývačka	139	HE	מכונת שטיפה בחץ ליתיום-56 פולט	299
			AR	مغسلة الضغط العالي ببطارية ليثيوم-أيون 56 فولت	290

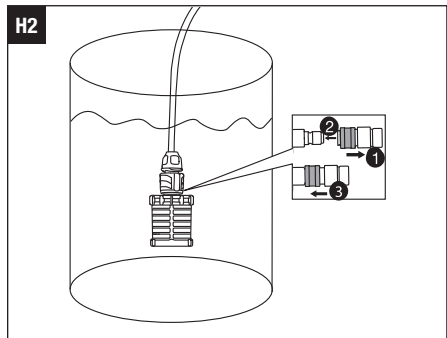
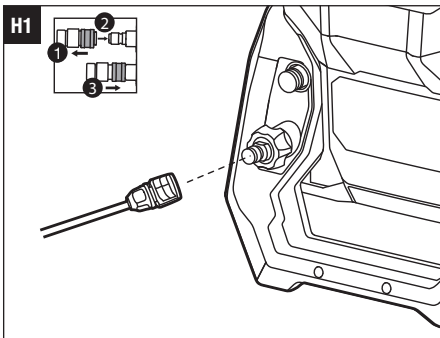
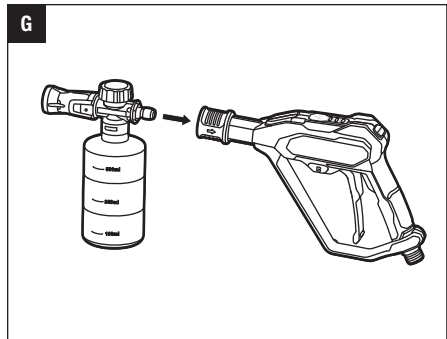
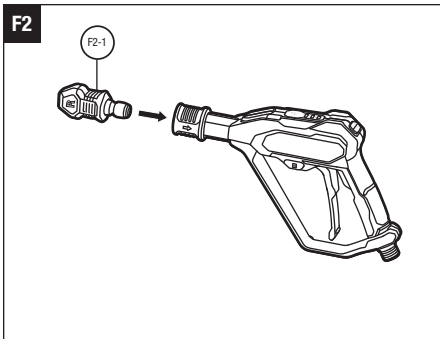
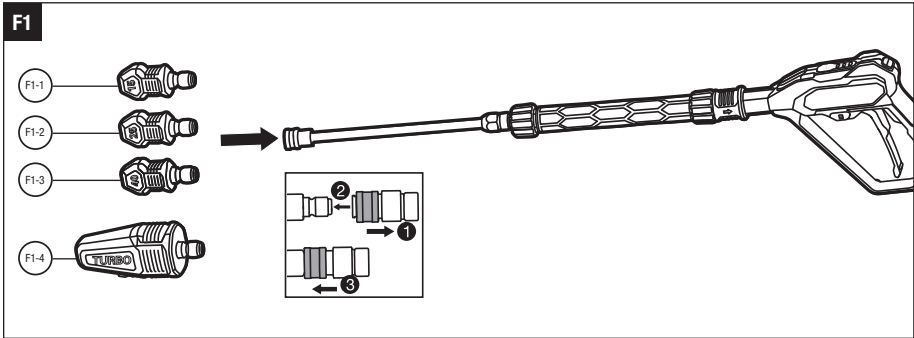
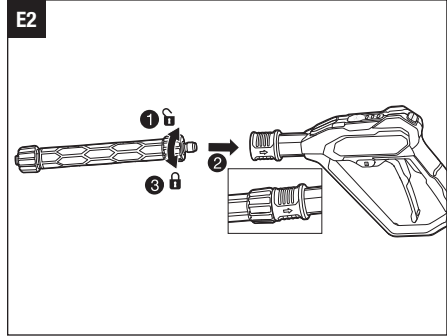
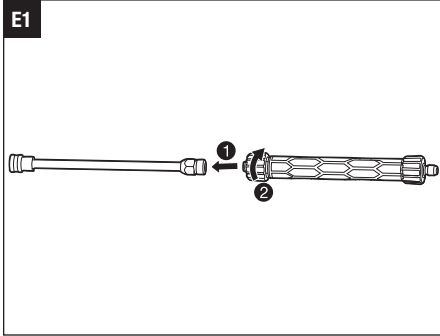


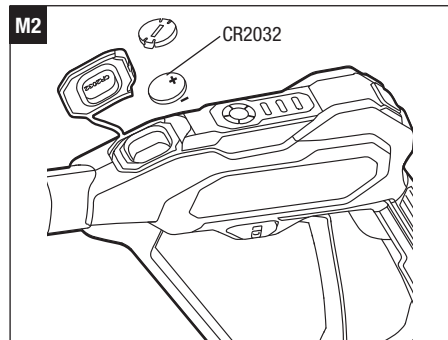
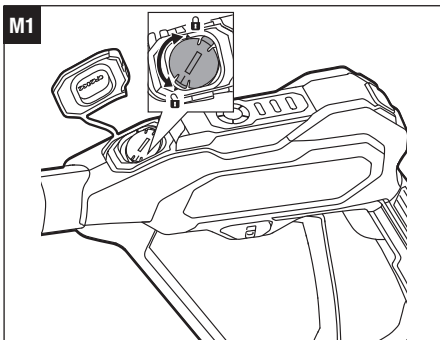
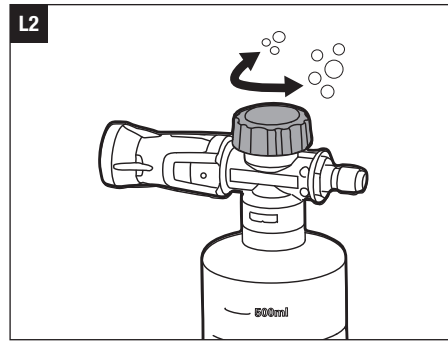
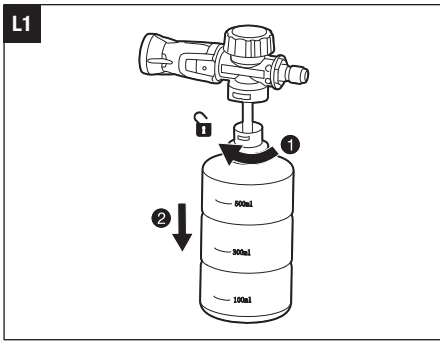
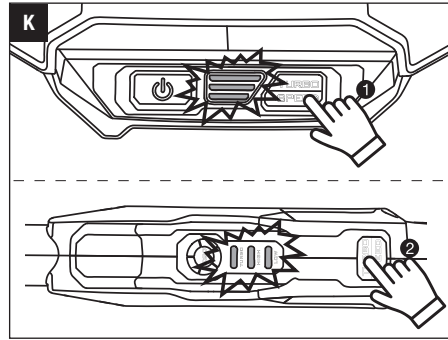
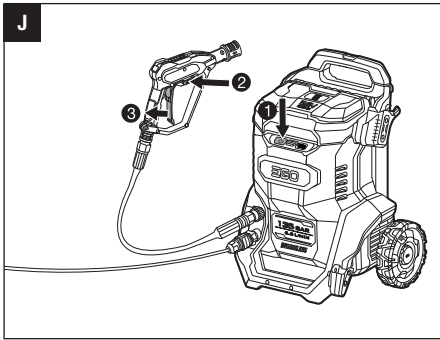
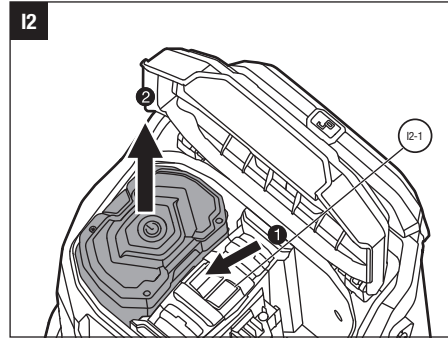
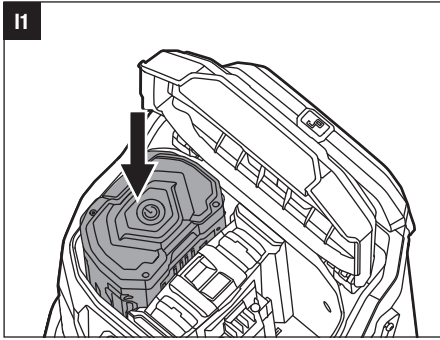
A2

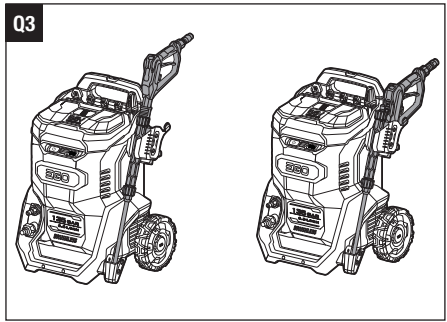
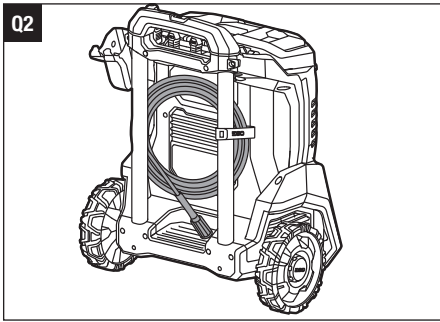
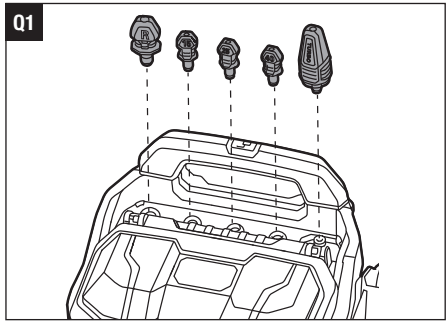
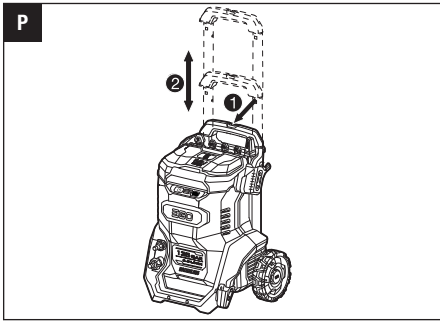
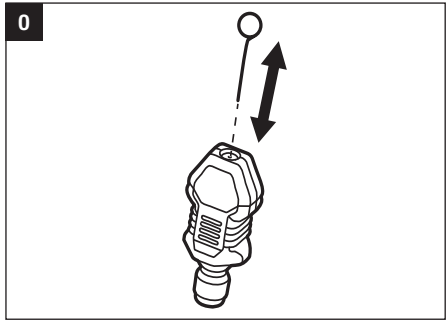
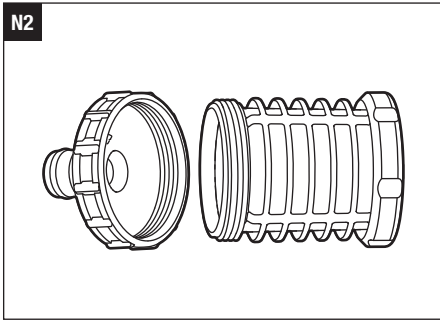
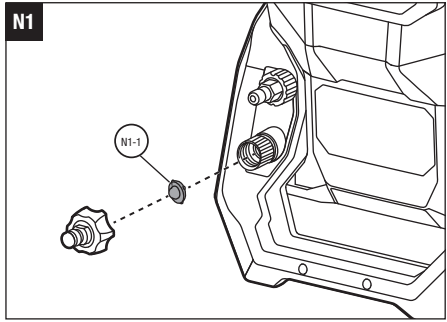
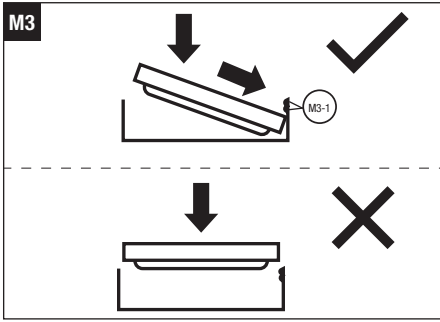
BA1400, BA1400T,
BA2240T, BA2242T,
BA2800, BA2800T,
BA3360T, BA4200,
BA4200T, BA5600T,
BA6720T, BA4480X

CH2100E,
CH3200E,
CH5500E,
CH7000E,
CH7000E-T

**B****C1****C2****D1****D2**







EGO Europe GmbH
 Autenbachstraße 11, 71711 Steinheim an der Murr, Germany
 Chervon Europe Ltd
 The Anchorage, 34 Bridge Street Reading, RG1 2LU, United Kingdom

READ ALL INSTRUCTIONS!



READ OPERATOR'S MANUAL

⚠ WARNING: To ensure safety and reliability, all repairs should be performed by a qualified service technician.

SAFETY SYMBOL

The purpose of safety symbols is to attract your attention to possible dangers. The safety symbols and the explanations with them deserve your careful attention and understanding. The symbol warnings do not, by themselves, eliminate any danger. The instructions and warnings they give are no substitutes for proper accident prevention measures.

⚠ WARNING: Be sure to read and understand all safety instructions in this Operator's Manual, including all safety alert symbols such as "**DANGER**," "**WARNING**," and "**CAUTION**" before using this machine. Failure to follow all instructions listed below may result in electric shock, fire, and/or serious personal injury.

⚠ WARNING: Risk of fire and burns. Do not disassemble, heat above 100 °C, or incinerate. Keep battery out of reach of children and in original package until ready to use. Dispose of used batteries promptly according to local recycling or waste regulations.

SAFETY INSTRUCTIONS

This page depicts and describes safety symbols that may appear on this product. Read, understand, and follow all instructions on the machine before attempting to assemble and operate.



Safety Alert



To reduce the risk of injury, user must read the operator's manual.



Never spray yourself, others, animals, power sources, or the unit itself.



This product is in accordance with applicable EC directives.



Do not connect to the potable water mains.



UK Conformity Assessed



Waste electrical products should not be disposed of with household waste. Take to an authorized recycler.



Water pressure



Water flow



Operating Temperature



Direct Current

kg Kilogram



Voltage

MPa Megapascal



Celsius

L/min Litres per Minute

IPX5 Protection from water jets

⚠ WARNING: Read and understand all instructions before using the machine. Failure to follow all instructions listed below may result in electric shock, fire and/or serious personal injury.

⚠ WARNING: During use of high pressure cleaners, aerosols may be formed. Inhalation of aerosols can be hazardous to health.

⚠ WARNING: High pressure jets can be dangerous if subject to misuse. The jet must not be directed at persons, live electrical equipment or the machine itself.

⚠ WARNING: Do not use the machine within range of persons unless they wear protective clothing.

⚠ WARNING: Do not direct the jet against yourself or others in order to clean clothes or foot-wear.

⚠ WARNING: Risk of explosion – Do not spray flammable liquids.

⚠ WARNING: High pressure cleaners shall not be used by children or untrained personnel.

⚠ WARNING: High pressure hoses, fittings and couplings are important for the safety of the machine.

⚠ WARNING: Water that has flowed through backflow preventers is considered to be non-potable.

⚠ WARNING: Do not use the machine if important parts of the machine are damaged, e.g. safety devices, high pressure hoses, short pressure gun.


⚠ WARNING: Depending on the application, shielded nozzles can be used for high pressure cleaning, which will reduce the emission of hydrous aerosols dramatically. However, not all applications allow the use of such a device. If shielded nozzles are not applicable for the protection against aerosols, a respiratory mask of class FFP 2 or equivalent may be needed, depending on the cleaning environment.

- This machine is not intended for use by persons (including children) with reduced physical, sensory or mental capabilities, or lack of experience and knowledge. Children should be supervised to ensure that they do not play with the appliance.
- Know how to stop the product and bleed pressure quickly. Be thoroughly familiar with the controls.
- Prevent unintentional starting. Ensure the switch is in the off-position before connecting to battery pack, picking up or carrying the appliance. Carrying the appliance with your finger on the switch or energizing appliance that has the switch on invites accidents.
- Always be aware of the danger of the reaction force and the sudden torque on the spray assembly when operating the gun.

- Do not expose the appliance or battery to excessive temperatures.
- Be aware of the risk of terminals of the battery-operated appliance or battery being short-circuited by metal objects.
- Rechargeable batteries are to be removed from the appliance before being charged.
- Different types of batteries or new and used batteries are not to be mixed.
- Exhausted batteries are to be removed from the appliance and safely disposed of.
- If the appliance is to be stored unused for a long period, the batteries should be removed.
- Do not use non-rechargeable batteries in place of rechargeable batteries.
- Do not use modified or damaged batteries.
- **Use only with the specified battery packs and chargers.**

Save these instructions. Refer to them frequently and use them to instruct others who may use this machine. If you lend someone this machine, lend them these instructions also to prevent misuse of the product and possible injury.

SPECIFICATIONS

Voltage	56 V 
Maximum Rated Pressure	135 Bar
Maximum Rated Flow (with quick connect lance and stainless steel wand connected)	6.5 L/min
Maximum Rated Flow (with only short pressure gun connected)	9.5 L/min
Limited Maximum Pressure for Gun	250 Bar
Limited Maximum Flow for Gun	30 L/min
Weight (without battery pack)	16.8 kg
Recommended Operating Temperature	5°C - 40°C
Recommended Storage Temperature	-20°C - 70°C
Measured sound power level L_{WA}	84 dB(A) K=1.8 dB(A)
Sound pressure level at operator's ear L_{PA}	72 dB(A) K=3 dB(A)

Guaranteed sound power level L_{WA} (measured according to 2000/14/EC)	86 dB(A)
Vibration a_h	3.6 m/s ² K=0.9 m/s ²

- The declared vibration total value has been measured in accordance with a standard test method and may be used for comparing one tool with another;
- The declared vibration total value may also be used in a preliminary assessment of exposure.

NOTICE: The vibration emission during actual use of the power tool can differ from the declared value in which the tool is used; In order to protect the operator, user should wear gloves and ear protectors in the actual conditions of use.

RECOMMENDED ACCESSORIES

⚠ WARNING: Use only accessories listed below. Use of accessories that do not meet the original equipment specifications may lead to improper performance and compromised safety.

PART NAME	MODEL NUMBER
Premium Foam Cannon	AFC2000E
Turbo nozzle	ANZ2000E-T
15° nozzle	ANZ2015E
25° nozzle	ANZ2025E
40° nozzle	ANZ2040E
Rinse nozzle	ANZ2000E-R

PACKING LIST (FIG. A1)

DESCRIPTION

KNOW YOUR PRESSURE WASHER (Fig. A1)

- Telescopic Handle
- Handle Lock Button
- Upper Holder Bracket
- Wheel (x2)
- Lower Holder Bracket
- Water Inlet Port
- Water Outlet Port
- Speed Button
- Speed Indicator
- Power Button
- Battery Pack Compartment
- Nozzles Storage

- Battery Pack Compartment Cover
- Electric Contacts
- Ejection Mechanism
- Battery-Release Button
- Hose Holder Strap
- Stainless Steel Wand
- Quick Connect Lance
- High-pressure Hose
- Siphon Hose
- Quick-Coupler Set (x2)
- Foam Cannon
- Filter
- Nozzle Cleaning Needle
- Rinse Nozzle
- 40° Nozzle
- 25° Nozzle
- 15° Nozzle
- TURBO Nozzle
- Short Pressure Gun
- Battery Cover
- 5-LED Fuel Gauge
- Speed Indicator
- Speed Button
- Gun Handle
- Trigger
- Lock-off Button

ASSEMBLY

INSTALLING THE HOLDER BRACKET ASSEMBLY (Fig. B)

B-1	Upper Holder Bracket	B-2	Lower Holder Bracket
B-3	Screws		

CONNECTING THE HIGH-PRESSURE HOSE (Fig. C – Fig. D)

You may connect the high-pressure hose by one of the following ways:

- Connect the high-pressure hose to the water outlet port and the gun directly using threaded connectors (Fig. C1 – Fig. C2);
- Connect the high-pressure hose to the water outlet port and the gun using two quick-coupler sets to achieve easy installation/removal (Fig. D1 – Fig. D2).

NOTE: The quick-coupler sets have been installed onto the water outlet port, high-pressure hose, gun at the factory.

CONNECTING THE LANCE AND WAND

(Fig. E1 – Fig. E2)

To **disconnect**, screw the wand from the lance and then pull it out; loosen the knob on the lance and then pull back the outer ring of the quick-coupler of the gun to pull out the lance.

⚠ WARNING: Always hold the gun with one hand and the lance with the other hand when disconnecting the lance from the gun. Personal injury may result if the lance falls.

CONNECTING A NOZZLE (Fig. F1 / Fig. F2)

NOTE: The nozzles cannot be connected to the lance.

- Choose the 15° nozzle, 25° nozzle, 40° nozzle, or Turbo nozzle to install onto the wand (Fig. F1).

F1-1	15° Nozzle	F1-2	25° Nozzle
F1-3	40° Nozzle	F1-4	TURBO Nozzle

- The rinse nozzle is connected to the gun directly (Fig. F2).

F2-1	Rinse Nozzle
------	--------------

⚠ WARNING: Always hold the gun with one hand and the nozzle with the other hand when disconnecting the nozzle from the gun. Personal injury may result if the nozzle jumps out.

Use the table below to pick the right nozzle for the job.

Nozzle Selection	Applications
Yellow 15° Nozzle	Clean small metal, concrete, or wood surfaces.
Green 25° Nozzle	Clean larger metal, concrete, or wood surfaces.
White 40° Nozzle	Clean wide metal, concrete, wood, or vinyl surfaces.
Gray Rinse Nozzle	Rinse vehicles. Rinse the detergent off of metal, concrete, wood, or vinyl.
Turbo Nozzle	Clean hard surfaces only. To prevent surface damage, do not use on cars and wooden surfaces.

CONNECTING THE FOAM CANNON (Fig. G)

The foam cannon is connected to the gun directly.

To **disconnect**, pull back the outer ring of the quick-coupler, and then pull out the foam cannon.

CONNECTING THE SIPHON HOSE (Fig. H1 – Fig. H2)

When using a water bucket (not provided) as a source of water, connect the pressure washer to the siphon hose.

NOTE: Prefill the bucket so when immersed filter does not float to the surface.

CONNECTING TO A GARDEN HOSE (NOT PROVIDED)

When using water tap (not provided) as a source of water, connect the pressure washer to a garden hose (not provided).

OPERATION

APPLICATION

You may use this product for the purposes listed below:

- Cleaning dirt on automobiles, walls, floors, etc.

ATTACHING/DETACHING THE BATTERY PACK

Use only with EGO's battery packs and chargers listed in Fig. A2.

Refer to corresponding battery packs and chargers manuals for more details.

Fully charge before first use.

NOTE: Using one battery pack will not allow you achieve TURBO speed. For best performance, we strongly recommend use of two 5.0Ah or greater Ah battery packs.

- Raise the battery compartment cover by lifting the front of the cover.
- To attach**, align the battery ribs with the mounting slots in one and press the battery pack down until you hear a "click". Attach the other battery (Fig. I1).
- To detach**, depress the battery-release button and pull the battery pack out (Fig. I2).

I2-1	Battery-release button
------	------------------------

- Close the battery compartment cover.

STARTING/STOPPING THE PRESSURE WASHER (Fig. J)

To Start the Pressure Washer

NOTICE: Do not start the pressure washer without water supply connected and turned on. This may damage the high-pressure seals and decrease pump life.

1. Ensure that the siphon hose, high-pressure hose, gun, nozzle are connected properly.
2. Connect lance, wand, foam cannon, filter according to your needs.
3. Choose one of below water supply ways:
 - When using a garden hose (not provided), connect the pressure washer to the garden hose and then open the water tap.
 - When using a water bucket, connect the filter to the siphon hose and then immerse the filter and the quick-coupler joint fully into the water bucket.
4. Install the battery pack(s).
5. Press the power button to power on the pressure washer. The washer will always run at high speed after each start.

NOTE: When the pressure washer is powered on but with no further actions, the washer will turn off automatically after 5 minutes of standby. During the first several minutes of standby, the speed indicator on the pressure washer will flash three green lights, which indicates there is no water flowing into the siphon hose.

6. Hold the gun with both hands, press the unlock side of the lock-off button and then squeeze the trigger until a steady water flow is produced.

NOTE: If the lance is connected, hold the gun with one hand and the lance with the other hand.

7. Start spray washing.

NOTE: It may take some time for the water to travel from the source and come out of the nozzle as a steady spray. To achieve a steady water flow quickly, you may want to:

- a. Remove the nozzle.
- b. Press the trigger and wait until a steady water stream starts coming out of the wand.
- c. Release the trigger and re-install the nozzle.

To Stop the Pressure Washer

1. Once the washing is completed, release the trigger and press the lock-off button to lock position.
2. Press the power button to power down the pressure washer.

3. Close the water tap or remove the siphon hose from the water bucket.
4. Press the lock-off button of the gun to the unlock position and squeeze the trigger to empty the water from the hoses.

NOTICE: The gun, hoses, wands, nozzles, or foam cannon should not be disconnected for as long as the water remains in the hoses.

5. Disconnect and remove the gun, hoses, wands, nozzles, or foam cannon.
6. Press the power button to power on the pressure washer to empty the water in the pressure washer.
7. Press the power button again to power down the pressure washer.
8. Remove the battery pack(s).

REMOTE CONTROL

The gun can be paired with the pressure washer to function as a remote control.

Short Pressure Gun Pairing (Fig. K)

1. Insert the battery pack(s) and power on the high pressure washer.
2. Long-press the speed button on the high pressure washer unit until its three green lights start flashing.

NOTE: The flashing will last approximately 20 s, so the gun can be paired only during this time. You could also short-press the speed button on the washer to exit the pairing mode any time.

3. Long-press the speed button on the gun until its three green lights start flashing, which means the pairing process has started.

NOTE: The flashing indicating the pairing process will last approximately 10 s. You could short-press the speed button on the gun to exit the pairing process any time.

4. The speed indicators on the washer and the gun will display three green lights together for 3 s to indicate the pairing was successful, then display two green lights.
5. If the pairing has failed, the speed indicators on the washer and the gun will flash three green lights and then turn off.

Using the Remote Control

After the pairing is completed, press the speed button once on the gun, the 5-LED fuel gauge and speed indicator will light up. Press the speed button again to actually change the speed.

NOTE:

- The 5-LED fuel gauge and speed indicator will shut off when there is no further action on the speed button of the gun within 10 s.
- The 5-LED fuel gauge indicates the battery-charge level. When two battery packs are installed, it indicates the level of the battery pack with the higher charge.
- The speed indicator on the gun is always synchronized with the speed indicator on the pressure washer unit.

SPEED SELECTION

- The speed of the pressure washer could be adjusted by the speed button on either the washer or the paired gun.
- The speed of the pressure washer could be adjusted when the washer is powered on or during spraying.
- Every time the speed button is pressed, the speed will toggle among high level, TURBO level and low level. The speed indicator displays one green light, two green lights, or three green lights to indicate the pressure washer running at low speed, high speed, or TURBO, respectively.

NOTE: When only one battery pack is inserted, the TURBO speed can not be achieved and every time the speed button is pressed, the speed will toggle between high level and low level.

NOTE: If the pressure washer keeps operating at TURBO speed, the runtime per charge may be affected.

CLEANING WITH DETERGENT

⚠ WARNING: Only use detergents specifically made for use with pressure washers. Comply with the application, disposal, and safety instructions of the detergent manufacturer.

1. Turn the bottle of the foam cannon counterclockwise and remove it (Fig. L1).
2. Pour detergent into the bottle.

NOTE: The temperature of the detergent should not exceed 60 °C.

3. Replace the foam cannon and connect it to the quick-coupler of the gun.
4. Rotate the detergent knob to adjust the amount of detergent added to the water flow according to your needs (Fig. L2).

MAINTENANCE

⚠ WARNING: To prevent serious personal injury, remove the battery pack from the product before servicing, cleaning, changing attachments, or removing material from the unit.

GENERAL MAINTENANCE

Avoid using solvents when cleaning plastic parts. Most plastics are susceptible to damage from various types of commercial solvents and may be damaged by their use. Use a clean cloth to remove dirt, dust, oil, grease, etc.

⚠ WARNING: Do not at any time allow brake fluids, gasoline, petroleum-based products, penetrating oils, etc. to come in contact with plastic parts. Chemicals can damage, weaken or destroy plastic which may result in serious personal injury.

⚠ WARNING: To reduce the risk of fire, personal injury, and product damage due to a short circuit, never immerse your machine, battery pack or charger in fluid or allow a fluid to flow inside them. Corrosive or conductive fluids, such as seawater, certain industrial chemicals, and bleach or bleach containing products, etc., can cause a short circuit.

REPLACING THE COIN CELL BATTERY (Fig. M1&M2)

⚠ WARNING: Keep out of reach of children. Swallowing can lead to chemical burns, perforation of soft tissue, and death. Severe burns can occur within 2 h of ingestion. Seek medical attention immediately.

NOTE: Never push the battery directly into the compartment (Fig. M3). Otherwise, the two clips will be damaged, causing failure of the gun remote control.

M3-1	Clips
------	-------

NOTE: Repair the gun with the pressure washer after the coin cell battery is replaced following the instructions in the section “**Short Pressure Gun Pairing**”.

CLEANING THE FILTERS

- Unscrew and remove the knob on the water inlet port, and then take out the metal mesh from the water inlet port, rinse the metal mesh or replace it if necessary (Fig. N1).

N1-1	Metal Mesh
------	------------

- Remove the filter from the siphon hose, screw out the filter, and then rinse it thoroughly (Fig. N2).

CLEANING THE NOZZLES (Fig. O)

When the holes of the nozzles are blocked, you may use the provided nozzle cleaning needle to pass through the holes and remove blockage.

TRANSPORTING THE PRESSURE WASHER (Fig. P)

Press the handle lock button, and then pull out the telescopic handle to the first length level until you hear a “click”. If desired, you may press the handle lock button, and then pull the telescopic handle out to the second length level.

STORING THE PRESSURE WASHER

1. Stop the pressure washer, release pressure, empty water, and remove the battery pack from the pressure washer following the instructions in the section “**To Stop the Pressure Washer**”.
2. Store nozzles in the nozzle storage area of the pressure washer (Fig. Q1).
3. Roll up the high-pressure hose and store it behind the telescopic handle (Fig. Q2).
4. Store the gun and lance and wand assembly into the holder brackets or disconnect the gun and store it in the upper holder brackets (Fig. Q3).
5. Clean the pressure washer thoroughly before storing it.
6. Store the pressure washer in a dry, well-ventilated area, locked-up or up high, out of the reach of children. Do not store the pressure washer on or adjacent to fertilizers, gasoline, or other chemicals.

Protecting the environment


Do not dispose of electrical equipment, used battery and charger into household waste! Take this product to an authorized recycler and make it available for separate collection. Electric tools must be returned to an environmentally compatible recycling facility.

TROUBLESHOOTING

PROBLEM	CAUSE	SOLUTION
The pressure washer fails to be powered on.	<ul style="list-style-type: none"> ■ Battery pack charge is low. ■ Battery pack is not installed properly. 	<ul style="list-style-type: none"> ■ Charge the battery pack. ■ Slide the battery pack into the battery compartment until it snaps into position.
The TURBO speed could not be activated.	<ul style="list-style-type: none"> ■ Only one battery pack is used for the washer operation. 	<ul style="list-style-type: none"> ■ Use two 5.0Ah or greater Ah battery packs.
The pressure washer pump stops working and the speed indicator on the washer flashes three green lights.	<ul style="list-style-type: none"> ■ The pressure washer or the battery pack(s) are over temperature. ■ The nozzle is blocked. ■ No water flows into the siphon hose. ■ Battery pack charge is low. ■ Other electronic fault(s). 	<ul style="list-style-type: none"> ■ Wait until the pressure washer or battery pack(s) return to the operating temperature and then restart the washer. ■ Use the nozzle cleaning needle to pass through the holes. ■ Check and ensure there is water flowing into the siphon hose properly. ■ Charge the battery pack. ■ Contact EGO customer service.
The water flow is low during spraying.	<ul style="list-style-type: none"> ■ The filter is blocked partially. ■ The metal mesh in the water inlet port is blocked partially. ■ The filter and quick-coupler joint of the siphon hose is not fully immersed into water. ■ The siphon hose is folded. ■ Water is dirty. ■ The high-pressure hose is blocked. 	<ul style="list-style-type: none"> ■ Clean the filter. ■ Remove and clean the metal mesh. ■ Fully immerse the filter and quick-coupler joint into water. ■ Unfold the siphon hose or replace it. ■ Use only clean water. ■ Remove the nozzle, and then start water spraying from the hose to clear the blockage of the hose.

PROBLEM	CAUSE	SOLUTION
There's no water spraying out.	<ul style="list-style-type: none"> ■ There is no water supply. ■ The filter is blocked completely. ■ The metal mesh in the water inlet port is block completely. ■ The nozzle is blocked. ■ Pump, hoses, or other components are frozen. 	<ul style="list-style-type: none"> ■ Check and ensure the washer is connected to the water supply properly. ■ Clean the filter. ■ Remove and clean the metal mesh. ■ Use the nozzle cleaning needle to pass through the holes. ■ Wait until they are thawed.
The water flow is not stable.	<ul style="list-style-type: none"> ■ Air flows into the washer. ■ Pump seals are worn. 	<ul style="list-style-type: none"> ■ Check and ensure the siphon hose is connected properly. ■ Contact EGO customer service.
The water spraying starts or stops automatically.	<ul style="list-style-type: none"> ■ The high-pressure hose is damaged. ■ There's water leakage from the gun. ■ Pump seals, hose seals are worn. 	<ul style="list-style-type: none"> ■ Replace with new high-pressure hose. ■ Contact EGO customer service. ■ Contact EGO customer service.
The gun cannot control the washer.	<ul style="list-style-type: none"> ■ The position of the gun is beyond wireless connection range. ■ The coin cell (button cell) battery charge is low. ■ The gun is not paired properly. ■ Coin cell battery is not installed properly. 	<ul style="list-style-type: none"> ■ Take the gun closer to the pressure washer. ■ Replace with a new coin cell (button cell) battery. ■ Complete the pairing following the instructions in the section "Short Pressure Gun Pairing". ■ Install the coin cell battery following the instructions in the section "REPLACING THE COIN CELL BATTERY".

WARRANTY

EGO WARRANTY POLICY

Please visit the website egopowerplus.eu for full terms and conditions of the EGO Warranty policy.

DE LESEN SIE ALLE ANWEISUNGEN!**BEDIENUNGSANLEITUNG LESEN**

⚠️ WARNUNG: Um die Sicherheit und Zuverlässigkeit zu gewährleisten, sollten alle Reparaturen nur von qualifizierten Servicetechnikern durchgeführt werden.

WARNSYMBOL

Der Zweck von Warnsymbolen besteht darin, Ihre Aufmerksamkeit auf mögliche Gefahren zu lenken. Die Warnsymbole und deren Erklärungen verdienen Ihre vollste Aufmerksamkeit und Beachtung. Durch die Warnsymbole allein sind die Gefahren noch nicht ausgeschaltet. Die Anweisungen und Warnhinweise stellen keinen Ersatz für angemessene Unfallverhütungsmaßnahmen dar.

⚠️ WARNUNG: Vor der Benutzung des Geräts sollten Sie alle Sicherheitsanweisungen in dieser Bedienungsanleitung gelesen und verstanden haben. Das gilt auch für die Hinweise „**GEFAHR**“, „**WARNUNG**“ und „**VORSICHT**“. Die Nichtbeachtung der aufgeführten Anweisungen kann zu Stromschlägen, Bränden und/oder schweren Verletzungen führen.

⚠️ WARNUNG: Brand- und Verbrennungsgefahr. Nicht zerlegen, über 100 °C aufwärmen oder verbrennen. Halten Sie den Akku außer Reichweite von Kindern. Bewahren Sie ihn in der Originalverpackung auf, bis Sie ihn in das Gerät einsetzen. Entsorgen Sie leere Akkus sofort und gemäß den örtlichen Recycling- und Entsorgungsbestimmungen.

SICHERHEITSHINWEISE

Auf dieser Seite werden die Warnsymbole vorgestellt und beschrieben, die sich unter Umständen an dem Gerät befinden. Vor dem Zusammenbau und der Inbetriebnahme müssen sämtliche Anweisungen am Gerät gelesen und genau befolgt werden.



Warnhinweis



Um das Verletzungsrisiko zu verringern, muss der Benutzer die Bedienungsanleitung lesen.



Besprühen Sie niemals sich selbst, andere Personen, Tiere, Stromquellen oder das Gerät selbst.



Dieses Produkt erfüllt die einschlägigen CE-Richtlinien.



Nicht an das Trinkwassernetz anschließen.



GB-Konformität beurteilt



Elektrische Altgeräte dürfen nicht im Hausmüll entsorgt werden. Bringen Sie das Gerät zu einem Wertstoffhof bzw. zu einer amtlichen Sammelstelle.



Wasserdruck



Wasserdurchfluss



Betriebstemperatur



Gleichstrom

kg Kilogramm

V Spannung

MPa Megapascal

DE

°C Celsius

L/min Liter pro Minute

IPX5 Strahlwassergeschützt

⚠️ WARNUNG: Lesen und verstehen Sie alle Anweisungen, bevor Sie das Gerät verwenden. Die Nichtbeachtung der unten angeführten Anweisungen kann zu Stromschlägen, Feuer und/oder schweren Verletzungen führen.

⚠️ WARNUNG: Bei der Verwendung von Hochdruckreinigern kann es zur Bildung von Aerosolen kommen. Das Einatmen von Aerosolen kann gesundheitsgefährdend sein.

⚠️ WARNUNG: Hochdruckstrahlen können bei unsachgemäßer Anwendung gefährlich sein. Der Strahl darf nicht auf Personen, spannungsführende Elektrogeräte oder das Gerät selbst gerichtet werden.

⚠️ WARNUNG: Benutzen Sie das Gerät nicht in der Reichweite von Personen, es sei denn, diese tragen Schutzkleidung.

⚠️ WARNUNG: Richten Sie den Strahl nicht auf sich selbst oder andere, um Kleidung oder Schuhe zu reinigen.

⚠️ WARNUNG: Explosionsgefahr – Keine brennbaren Flüssigkeiten versprühen.

⚠️ WARNUNG: Hochdruckreiniger dürfen nicht von Kindern oder ungeschulten Personen verwendet werden.

⚠️ WARNUNG: Hochdruckschläuche, Befestigungen und Kupplungen sind wichtig für die Sicherheit des Geräts

⚠️ WARNUNG: Wasser, das durch Rückflussverhinderer geflossen ist, ist nicht mehr trinkbar.

⚠️ WARNUNG: Benutzen Sie das Gerät nicht, wenn wichtige Teile des Geräts beschädigt sind, z. B. Sicherheitsvorrichtungen, Hochdruckschläuche, Handspritzpistole.

⚠️ WARNUNG: Je nach Anwendung können für die Hochdruckreinigung abgeschirmte Düsen eingesetzt werden, wodurch der Ausstoß wasserhaltiger Aerosole drastisch reduziert wird. Allerdings ist der Einsatz einer solchen Abschirmung nicht bei allen Anwendungen möglich. Wenn abgeschirmte Düsen zum Schutz vor Aerosolen nicht geeignet sind, sollte abhängig von der zu reinigenden Umgebung eine Atemschutzmaske der Klasse FFP 2 oder vergleichbar getragen werden.

- Das Gerät ist nicht für die Benutzung durch Personen (einschließlich Kindern) mit eingeschränkten körperlichen, sensorischen oder geistigen Fähigkeiten oder durch Personen, denen es an Kenntnissen und Erfahrungen mangelt, geeignet. Kinder sollten beaufsichtigt werden, um sicherzustellen, dass sie nicht mit dem Gerät spielen.
- Informieren Sie sich, wie Sie das Produkt schnell stoppen und den Druck ablassen können. Machen Sie sich sorgfältig mit den Bedienelementen vertraut.
- Ungewollten Anlauf verhindern. Kontrollieren Sie vor dem Anschließen eines Akkus, vor dem Aufnehmen oder Transportieren des Geräts immer, ob sich der Hauptschalter in Ausschaltposition befindet. Unfälle sind vorprogrammiert, wenn Sie das Gerät mit einem Finger am Hauptschalter tragen oder das Gerät mit Betriebsspannung versorgen, während sich der Hauptschalter in Einschaltposition befindet.
- Seien Sie sich beim Betrieb der Pistole stets der Gefahr durch die Rückstoßkraft und des plötzlich auftretenden Drehmoments auf die Spritzeinheit bewusst.
- Setzen Sie das Gerät oder den Akku keinen übermäßigen Temperaturen aus.
- Seien Sie sich die Gefahr bewusst, dass die Kontakte des akkubetriebenen Geräts oder des Akkus durch Metallgegenstände kurzgeschlossen werden können.
- Wiederaufladbare Batterien sind vor dem Aufladen aus dem Gerät zu nehmen.
- Verschiedene Batterietypen oder neue und gebrauchte Batterien dürfen nicht gemischt werden.
- Leere Batterien müssen aus dem Gerät genommen und sicher entsorgt werden.
- Wenn das Gerät über einen längeren Zeitraum unbenutzt gelagert werden soll, müssen die Akkus herausgenommen werden.
- Verwenden Sie keine nicht wiederaufladbaren Batterien anstelle von wiederaufladbaren Batterien.
- Verwenden Sie keine modifizierten oder beschädigten Batterien.
- **Nur mit den angegebenen Akkus und Ladegeräten verwenden.**

Heben Sie diese Anleitung auf. Schlagen Sie gegebenenfalls darin nach und verwenden Sie sie, um andere in die Verwendung dieses Geräts einzuweisen. Falls Sie dieses Gerät an andere verleihen, händigen Sie ihnen auch diese Anleitung aus, um einem Missbrauch des Geräts und möglichen Verletzungen vorzubeugen.

TECHNISCHE DATEN

Spannung	56 V 
Maximaler Nenndruck	135 bar
Maximale Fördermenge (mit angeschlossener Schnellkupplungslanze und Edelstahlrohr)	6,5 l/min
Maximale Fördermenge (nur mit angeschlossener Handspritzpistole)	9,5 l/min
Begrenzter Höchstdruck für die Pistole	250 Bar
Begrenzter maximaler Wasserdurchfluss für die Pistole	30 l/min
Gewicht (ohne Akku)	16,8 kg
Empfohlene Betriebstemperatur	5°C bis 40°C
Empfohlene Lagertemperatur	-20 °C bis 70 °C
Gemessener Schalleistungspegel L_{WA}	84 dB(A) K=1,8 dB(A)
Schalldruckpegel am Ohr des Bedieners L_{PA}	72 dB(A) K=3 dB(A)
Garantierter Schalleistungspegel L_{WA} (nach 2000/14/EG gemessen)	86 dB(A)
Vibration a_n	3,6 m/s ² K=0,9 m/s ²

- Der angegebene Vibrationsgesamtwert wurde nach einem Standard-Prüfverfahren gemessen und kann zum Vergleich mit einem anderen Werkzeug herangezogen werden.
- Der angegebene Vibrationsgesamtwert kann auch zur vorläufigen Risikobewertung herangezogen werden.

HINWEIS: Die beim Einsatz des Elektrowerkzeugs entstehenden Istvibrationen können von dem angegebenen Wert abweichen. Zum Schutz des Benutzers sollten Handschuhe und ein Gehörschutz während des Geräteinsatzes getragen werden.

EMPFOHLENES ZUBEHÖR

⚠ WARNUNG: Verwenden Sie nur das unten aufgeführte Zubehör. Die Verwendung von Zubehör, das nicht die originalen Gerätespezifikationen erfüllt, kann zu fehlerhafter Leistung und Beeinträchtigungen der Sicherheit führen.

BEZEICHNUNG DER TEILE	MODELLNUMMER
Hochwertige Schaumspritze	AFC2000E
Turbo-Düse	ANZ2000E-T
15°-Düse	ANZ2015E
25°-Düse	ANZ2025E
40°-Düse	ANZ2040E
Spüldüse	ANZ2000E-R

PACKLISTE (ABB. A1)

BESCHREIBUNG

BESCHREIBUNG IHRES HOCHDRUCKREINIGERS (Abb. A1)

- Teleskopgriff
- Griffverriegelung
- Obere Halterung
- Rad (x2)
- Untere Halterung
- Wasserzulaufanschluss
- Wasserablaufanschluss
- Geschwindigkeitstaste
- Geschwindigkeitsanzeige
- Ein-/Aus-Taste
- Akkufach
- Düsenaufbewahrung
- Akkufachabdeckung
- Elektrische Kontakte
- Auswurfmechanismus
- Akku-Entriegelungstaste
- Schlauchhalterband
- Edelstahlrohr
- Schnellkupplungslanze
- Hochdruckschlauch
- Saugschlauch
- Schnellkupplungssatz (x2)
- Schaumspritze
- Filter
- Düsenreinigungsnadel
- Spüldüse
- 40°-Düse
- 25°-Düse

- 29. 15°-Düse
- 30. TURBO-Düse
- 31. Handspritzpistole
- 32. Batteriefachabdeckung
- 33. 5-LED-Ladestandanzeige
- 34. Geschwindigkeitsanzeige
- 35. Geschwindigkeitstaste
- 36. Pistolengriff
- 37. Auslöser
- 38. Auslöser-Freigabeschalter

MONTAGE

ANBRINGEN DER HALTERUNGSEINHEIT (Abb. B)

B-1	Obere Halterung	B-2	Untere Halterung
B-3	Schrauben		

ANSCHLUSS DES HOCHDRUCKSCHLAUCHS (Abb. C – Abb. D)

Sie können den Hochdruckschlauch mit einer der folgenden Methoden anschließen:

- Schließen Sie den Hochdruckschlauch mithilfe von Schraubanschlüssen direkt am Wasserablaufanschluss und der Pistole an (Abb. C1 – Abb. C2).
- Schließen Sie den Hochdruckschlauch mit zwei Schnellkupplungssätzen am Wasserablauföffnung und der Pistole an, um eine einfache Montage/Demontage zu ermöglichen (Abb. D1 – Abb. D2).

ANMERKUNG: Die Schnellkupplungssätze wurden werkseitig an der Wasserablauföffnung, dem Hochdruckschlauch und der Pistole angebracht.

VERBINDUNG VON LANZE UND ROHR (Abb. E1 – Abb. E2)

Schrauben Sie das Rohr zum Trennen von der Lanze ab und ziehen Sie es dann heraus. Lösen Sie den Knopf an der Lanze und ziehen Sie dann den äußeren Ring der Schnellkupplung der Pistole zurück, um die Lanze herauszuziehen.

⚠️ WARNUNG: Halten Sie die Pistole immer mit einer Hand und die Lanze mit der anderen Hand fest, wenn Sie die Lanze von der Pistole trennen. Das Herunterfallen der Lanze kann zu Verletzungen führen.

ANBRINGEN EINER DÜSE (Abb. F1/Abb. F2)

ANMERKUNG: Die Düsen können nicht an der Lanze angebracht werden.

- Wählen Sie die 15°-Düse, 25°-Düse, 40°-Düse oder Turbo-Düse, um sie am Rohr anzubringen (Abb. F1).

F1-1	15°-Düse	F1-2	25°-Düse
F1-3	40°-Düse	F1-4	TURBO-Düse

- Die Spüldüse ist direkt mit der Pistole verbunden (Abb. F2).

F2-1	Spüldüse
------	----------

⚠️ WARNUNG: Halten Sie die Pistole immer mit einer Hand und die Düse mit der anderen Hand fest, wenn Sie die Düse von der Pistole trennen. Das Herausspringen der Düse kann zu Verletzungen führen.

Beziehen Sie sich auf die nachfolgende Tabelle, um die richtige Düse für die jeweilige Aufgabe auszuwählen.

Düsenauswahl	Einsatzzweck
Gelbe 15°-Düse	Zum Reinigen kleiner Metall-, Beton- oder Holzoberflächen.
Grüne 25°-Düse	Zum Reinigen größerer Metall-, Beton- oder Holzoberflächen.
Weißer 40°-Düse	Zum Reinigen sehr großer Metall-, Beton-, Holz- oder Vinyloberflächen.
Graue Spüldüse	Zum Abspülen von Fahrzeugen. Zum Abspülen des Reinigungsmittels von Metall, Beton, Holz oder Vinyl.
Turbodüse	Nur zur Reinigung harter Oberflächen. Um Schäden an Oberflächen zu vermeiden, nicht auf Autos und Holzoberflächen verwenden.

ANBRINGEN DER SCHAUMSPRITZE (Abb. G)

Die Schaumspitze ist direkt mit der Pistole verbunden.

Ziehen Sie **zum Trennen** den Außenring der Schnellkupplung zurück und ziehen Sie dann die Schaumspitze heraus.

ANSCHLIESSEN DES SAUGSCHLAUCHS (Abb. H1 – Abb. H2)

Wenn Sie einen Wassereimer (nicht inbegriffen) zur Wasserversorgung verwenden, schließen Sie den Hochdruckreiniger an den Saugschlauch an.

HINWEIS: Füllen Sie den Eimer im Voraus, damit der Filter beim Eintauchen nicht an die Oberfläche schwimmt.

ANSCHLUSS EINES GARTENSCHLAUCHS (NICHT INBEGRIFFEN)

Wenn Sie einen Wasserhahn (nicht inbegriffen) zur Wasserversorgung verwenden, schließen Sie den Hochdruckreiniger an einen Gartenschlauch an (nicht inbegriffen).

BETRIEB

VERWENDUNGSZWECK

Sie können dieses Produkt für die unten aufgeführten Zwecke einsetzen:

- Entfernen von Schmutz auf Autos, Wänden, Böden usw.

ANBRINGEN/ABNEHMEN DES AKKUS

Nur die in Abb. A2 aufgeführten EGO Akkus und Ladegeräte verwenden.

Weitere Einzelheiten finden Sie in den entsprechenden Anleitungen der Akkus und Ladegeräte.

Vor dem ersten Gebrauch voll aufladen.

ANMERKUNG: Mit nur einem Akku erreichen Sie keine **TURBO-Geschwindigkeit**. Für eine optimale Leistung empfehlen wir dringend die Verwendung von zwei Akkus mit 5,0 Ah oder mehr Ah.

1. Heben Sie die Abdeckung des Akkufachs an der Vorderseite der Abdeckung an.
2. **Akku einsetzen:** Schieben Sie den Akku mit seinen Rippen in die Aussparungen des Akkufachs ein, und drücken Sie den Akku nach unten, bis er hörbar einrastet. Schieben Sie den anderen Akku ein (Abb. I1).
3. **Zum Herausnehmen** drücken Sie die Akkuentriegelungstaste und ziehen Sie den Akku heraus (Abb. I2).

I2-1	Akku-Entriegelungstaste
------	-------------------------

4. Schließen Sie die Abdeckung des Akkufachs.

STARTEN/STOPPEN DES HOCHDRUCKREINIGERS (Abb. J)

So starten Sie den Hochdruckreiniger

HINWEIS: Starten Sie den Hochdruckreiniger nicht ohne angeschlossene und aufgedrehte Wasserversorgung. Andernfalls werden die Hochdruckdichtungen beschädigt und die Lebensdauer der Pumpe verkürzt.

1. Stellen Sie sicher, dass der Saugschlauch, der Hochdruckschlauch, die Pistole und die Düse ordnungsgemäß angebracht sind.
2. Montieren Sie je nach Bedarf Lanze, Rohr, Schaumspitze und Filter.
3. Wählen Sie eine der folgenden Wasserversorgungsarten:
 - Wenn Sie einen Gartenschlauch (nicht inbegriffen) verwenden, schließen Sie den Hochdruckreiniger an den Gartenschlauch an und öffnen Sie dann den Wasserhahn.
 - Wenn Sie einen Wassereimer verwenden, bringen Sie den Filter am Saugschlauch an und tauchen Sie dann den Filter und die Schnellkupplung vollständig in den Wassereimer ein.
4. Setzen Sie den(die) Akku(s) ein.
5. Drücken Sie die Ein-/Aus-Taste, um den Hochdruckreiniger einzuschalten. Die Hochdruckreiniger läuft nach jedem Start immer mit hoher Geschwindigkeit.

ANMERKUNG: Wenn der Hochdruckreiniger eingeschaltet ist, aber keine weitere Bedienung erfolgt, schaltet er sich nach 5 Minuten im Standby-Modus automatisch aus. Während der ersten Minuten im Standby-Modus blinkt die Geschwindigkeitsanzeige am Hochdruckreiniger dreimal grün, was darauf hinweist, dass kein Wasser in den Saugschlauch fließt.

6. Halten Sie die Pistole mit beiden Händen, drücken Sie die Entriegelungsseite des Auslöser-Freigabeschalters und drücken Sie dann den Auslöser, bis ein steter Wasserfluss erzeugt wird.

ANMERKUNG: Wenn die Lanze angeschlossen ist, halten Sie die Pistole mit einer Hand und die Lanze mit der anderen Hand.

7. Beginnen Sie mit der Spritzreinigung.

ANMERKUNG: Es kann einige Zeit dauern, bis das Wasser von der Quelle zur Düse gelangt und als gleichmäßiger Strahl aus der Düse austritt. Um schnell einen steten Wasserfluss zu erreichen, können Sie Folgendes tun:

- Entfernen Sie die Düse.
- Drücken Sie den Auslöser und warten Sie, bis ein gleichmäßiger Wasserstrahl aus dem Rohr kommt.
- Lassen Sie den Auslöser los und bringen Sie die Düse wieder an.

So stoppen Sie den Hochdruckreiniger

- Sobald der Reinigungsvorgang abgeschlossen ist, lassen Sie den Auslöser los und drücken Sie den Freigabeschalters, um den Auslöser in dieser Position zu arretieren.
- Drücken Sie die Ein-/Aus-Taste, um den Hochdruckreiniger auszuschalten.
- Drehen Sie den Wasserhahn zu oder entfernen Sie den Saugschlauch aus dem Wassereimer.
- Drücken Sie den Auslöser-Freigabeschalter der Pistole in die Entriegelungsposition und drücken Sie den Auslöser, um das Wasser aus den Schläuchen abzulassen.

HINWEIS: Pistole, Schläuche, Rohre, Düsen oder Schaumpritze sollten nicht abgeklemmt werden, solange noch Wasser in den Schläuchen vorhanden ist.

- Trennen und entfernen Sie Pistole, Schläuche, Rohre, Düsen oder Schaumpritze.
- Drücken Sie die Ein-/Aus-Taste, um den Hochdruckreiniger einzuschalten und das Wasser im Hochdruckreiniger abzulassen.
- Drücken Sie die Ein-/Aus-Taste erneut, um den Hochdruckreiniger auszuschalten.
- Nehmen Sie den(die) Akku(s) heraus.

FERNBEDIENUNG

Die Pistole kann mit dem Hochdruckreiniger gekoppelt werden, um als Fernbedienung zu fungieren.

Kopplung der Handspritzpistole (Abb. K)

- Setzen Sie den(die) Akku(s) ein und schalten Sie den Hochdruckreiniger ein.
- Halten Sie die Geschwindigkeitstaste am Hochdruckreiniger gedrückt, bis die drei grünen Lichter zu blinken beginnen.

HINWEIS: Das Blinken dauert etwa 20 Sekunden. Die Pistole kann nur während dieser Zeit gekoppelt werden. Sie können den Kopplungsmodus auch jederzeit durch kurzes Drücken der Geschwindigkeitstaste am Hochdruckreiniger beenden.

- Halten Sie dann die Geschwindigkeitstaste an der Pistole gedrückt, bis die drei grünen Lichter zu blinken beginnen. Dies signalisiert, dass der Kopplungsvorgang begonnen hat.

ANMERKUNG: Das Blinken, das den Kopplungsvorgang anzeigt, dauert etwa 10 Sekunden. Sie können die Geschwindigkeitstaste an der Pistole jederzeit kurz drücken, um den Kopplungsvorgang zu beenden.

- Die Geschwindigkeitsanzeigen am Hochdruckreiniger und der Pistole zeigen 3 Sekunden lang gleichzeitig drei grüne Lichter an, um zu signalisieren, dass die Kopplung erfolgreich war. Anschließend leuchten zwei grüne Lichter.
- Wenn die Kopplung fehlgeschlagen ist, blinken die Geschwindigkeitsanzeigen am Hochdruckreiniger und der Pistole dreimal grün und schalten sich dann aus.

Verwendung der Fernbedienung

Nachdem die Kopplung abgeschlossen ist, drücken Sie einmal die Geschwindigkeitstaste an der Pistole. Die 5-LED-Ladestandanzeige und die Geschwindigkeitsanzeige leuchten auf. Drücken Sie die Geschwindigkeitstaste erneut, um die Geschwindigkeit zu ändern.

HINWEIS:

- Die 5-LED-Ladestandanzeige und die Geschwindigkeitsanzeige schalten sich aus, wenn die Geschwindigkeitstaste der Pistole innerhalb von 10 Sekunden nicht betätigt wird.
- Die 5-LED-Ladestandanzeige zeigt den Ladezustand des Akkus an. Wenn zwei Akkus eingelegt sind, wird der Ladezustand des Akkus mit der höheren Ladung angezeigt.
- Die Geschwindigkeitsanzeige an der Pistole ist immer mit der Geschwindigkeitsanzeige am Hochdruckreiniger synchronisiert.

EINSTELLEN DER GESCHWINDIGKEIT

- Die Geschwindigkeit des Hochdruckreinigers kann über die Geschwindigkeitstaste entweder am Hochdruckreiniger oder an der gekoppelten Pistole eingestellt werden.
- Die Geschwindigkeit des Hochdruckreinigers kann beim Einschalten des Hochdruckreinigers oder während des Sprühvorgangs angepasst werden.
- Jedes Mal, wenn die Geschwindigkeitstaste gedrückt wird, wechselt die Geschwindigkeit zwischen hoher Stufe, TURBO-Stufe und niedriger Stufe. Die Geschwindigkeitsanzeige zeigt entsprechend der jeweilige Geschwindigkeitsstufe des Hochdruckreinigers - niedrig, hoch, TURBO - ein grünes Licht, zwei grüne Lichter bzw. drei grüne Lichter.

ANMERKUNG: Wenn nur ein Akku eingelegt ist, kann die TURBO-Geschwindigkeit nicht erreicht werden, und jedes Mal, wenn die Geschwindigkeitstaste gedrückt wird, wechselt die Geschwindigkeit zwischen hoher und niedriger Stufe.

ANMERKUNG: Wenn der Hochdruckreiniger weiterhin mit TURBO-Geschwindigkeit arbeitet, kann dies die Laufzeit pro Ladung beeinträchtigen.

REINIGUNG MIT REINIGUNGSMITTEL

⚠️ WARNUNG: Verwenden Sie nur Reinigungsmittel, die speziell für die Verwendung mit Hochdruckreinigern geeignet sind. Beachten Sie die Anwendungs-, Entsorgungs- und Sicherheitshinweise des Reinigungsmittelherstellers.

- Drehen Sie die Flasche der Schaumspitze gegen den Uhrzeigersinn und nehmen Sie sie ab (Abb. L1).
- Füllen Sie Spülmittel in die Flasche.

HINWEIS: Die Temperatur des Reinigungsmittels sollte 60 °C nicht überschreiten.

- Befestigen Sie die Schaumspitze wieder und bringen Sie sie an die Schnellkupplung der Pistole an.
- Drehen Sie den Reinigungsmittelknopf, um die dem Wasserfluss zugesetzte Reinigungsmittelmenge nach Bedarf einzustellen (Abb. L2).

WARTUNG

⚠️ WARNUNG: Um schwere Eigenverletzungen zu verhindern, entfernen Sie den Akku aus dem Produkt, bevor Sie das Gerät warten, reinigen, Anbauwerkzeuge auswechseln oder Schnittgut aus dem Gerät entfernen.

ALLGEMEINE WARTUNG

Zum Reinigen von Kunststoffteilen Lösungsmittel vermeiden. Die verschiedenen handelsüblichen Lösungsmittel greifen die meisten Kunststoffe an. Verwenden Sie saubere Lappen zum Entfernen von Schmutz, Staub, Öl, Fett usw.

⚠️ WARNUNG: Halten Sie unter allen Umständen Bremsflüssigkeit, Benzin, Erzeugnisse auf Erdölbasis, Kriechöle usw. von den Kunststoffteilen fern. Chemikalien können Kunststoffe angreifen, schwächen oder zerstören, was zu schweren Verletzungen führen kann.

⚠️ WARNUNG: Um das Risiko von Bränden, Verletzungen und Produktschäden aufgrund eines Kurzschlusses zu verringern, tauchen Sie Ihr Gerät, Ihren Akku oder Ihr Ladegerät niemals in Flüssigkeit und lassen Sie keine Flüssigkeit eindringen. Ätzende oder leitfähige Flüssigkeiten wie Meerwasser, bestimmte Industriechemikalien und Bleichmittel oder bleichmittelhaltige Produkte usw. können einen Kurzschluss verursachen.

AUSWECHSELN DER KNOPFZELLENBATTERIE (Abb. M1&M2)

⚠️ WARNUNG: Bitte außerhalb der Reichweite von Kindern aufbewahren. Verschlucken kann zu Verätzungen, Perforationen von Weichgewebe und zum Tod führen. Innerhalb von 2 Stunden nach dem Verschlucken kann es zu schweren Verätzungen kommen. Suchen Sie sofort medizinische Hilfe.

ANMERKUNG: Schieben Sie die Batterie niemals direkt in das Fach (Abb. M3). Andernfalls werden die beiden Clips beschädigt, was zum Ausfall der Pistolenfernbedienung führt.

M3-1	Clips
------	-------

ANMERKUNG: Koppeln Sie die Pistole wieder mit dem Hochdruckreiniger, nachdem die Knopfzellenbatterie ausgetauscht wurde. Befolgen Sie dazu die Anweisungen im Abschnitt „Kopplung der Handspritzpistole“.

REINIGEN DER FILTER

- Schrauben Sie den Knopf an der Wasserzulauföffnung ab. Nehmen Sie dann das Metallsieb aus der Wasserzulauföffnung heraus, spülen Sie das Metallsieb aus oder ersetzen Sie es bei Bedarf (Abb. N1).

N1-1	Metallsieb
------	------------

- Entfernen Sie den Filter aus dem Saugschlauch. Schrauben Sie den Filter heraus und spülen Sie ihn anschließend gründlich (Abb. N2).

REINIGEN DER DÜSEN (Abb. O)

Wenn die Löcher der Düsen verstopft sind, können Sie die mitgelieferte Düsenreinigungsnadel durch die Löcher stecken, um die Verstopfung zu beseitigen.

TRANSPORT DES HOCHDRUCKREINIGERS (Abb. P)

Drücken Sie die Griffverriegelung und ziehen Sie dann den Teleskopstiel bis zur ersten Längenstufe heraus, bis Sie ein „Klicken“ hören. Bei Bedarf können Sie die Griffverriegelung drücken und dann den Teleskopstiel auf die zweite Längenstufe herausziehen.

LAGERUNG DES HOCHDRUCKREINIGERS

1. Schalten Sie den Hochdruckreiniger aus, lassen Sie den Druck ab, lassen Sie das Wasser ab und nehmen Sie den Akku aus dem Hochdruckreiniger. Befolgen Sie dabei die Anweisungen im Abschnitt „**So stoppen Sie den Hochdruckreiniger**“.
2. Bewahren Sie die Düsen im Düsenaufbewahrungsbereich des Hochdruckreinigers auf (Abb. Q1).
3. Rollen Sie den Hochdruckschlauch auf und verstauen Sie ihn hinter dem Teleskopstiel (Abb. Q2).
4. Verstauen Sie die Pistole, die Lanze und das Rohr in den Halterungen oder trennen Sie die Pistole und verstauen Sie sie in den oberen Halterungen (Abb. Q3).
5. Reinigen Sie den Hochdruckreiniger vor der Lagerung gründlich.
6. Lagern Sie den Hochdruckreiniger an einem trockenen, gut belüfteten Ort, der sich abschließen lässt oder hoch gelegen und für Kinder unerreichbar ist. Der Hochdruckreiniger darf nicht auf oder neben Düngemitteln, Benzin oder anderen Chemikalien aufbewahrt werden.

Schutz der Umwelt



Elektrogeräte, alte Akkus und Ladegeräte dürfen nicht im Hausmüll entsorgt werden! Das Gerät muss einer offiziellen Recycling-Sammelstelle zur getrennten Entsorgung zugeführt werden.

Elektrowerkzeuge müssen bei einem umweltfreundlichen Recycling-Betrieb abgegeben werden.

DE

PROBLEM	URSACHE	LÖSUNG
Der Hochdruckreiniger lässt sich nicht einschalten.	<ul style="list-style-type: none"> ■ Ladestand des Akkus ist niedrig. ■ Der Akku ist nicht richtig eingesetzt. 	<ul style="list-style-type: none"> ■ Den Akku aufladen. ■ Akku in das Akkufach schieben, bis er in seine Position einrastet.
Die TURBO-Geschwindigkeit kann nicht aktiviert werden.	<ul style="list-style-type: none"> ■ Es wird nur ein Akku zum Betrieb des Hochdruckreinigers verwendet. 	<ul style="list-style-type: none"> ■ Zwei Akkus mit 5,0 Ah oder mehr Ah verwenden.
Die Pumpe des Hochdruckreinigers funktioniert nicht mehr und die Geschwindigkeitsanzeige am Hochdruckreiniger blinkt dreimal grün.	<ul style="list-style-type: none"> ■ Der Hochdruckreiniger oder der(die) Akku(s) sind überhitzt. ■ Die Düse ist verstopft. ■ Es fließt kein Wasser in den Saugschlauch. ■ Ladestand des Akkus ist niedrig. ■ Andere elektronische Fehler. 	<ul style="list-style-type: none"> ■ Warten, bis der Hochdruckreiniger oder die Akkus wieder die Betriebstemperatur erreicht haben, und dann den Reiniger wieder starten. ■ Mit der Düsenreinigungsnadel die Löcher reinigen. ■ Überprüfen, ob Wasser ordnungsgemäß in den Saugschlauch fließt. ■ Den Akku aufladen. ■ Wenden Sie sich an den EGO-Kundendienst.
Beim Sprühen ist der Wasserfluss gering.	<ul style="list-style-type: none"> ■ Der Filter ist teilweise verstopft. ■ Das Metallsieb in der Wasserzulauföffnung ist teilweise verstopft. ■ Der Filter und die Schnellkupplungsverbindung des Saugschlauchs sind nicht vollständig ins Wasser eingetaucht. ■ Der Saugschlauch ist geknickt. ■ Wasser ist schmutzig. ■ Der Hochdruckschlauch ist verstopft. 	<ul style="list-style-type: none"> ■ Filter reinigen. ■ Metallsieb herausnehmen und reinigen. ■ Filter und Schnellkupplung vollständig ins Wasser tauchen. ■ Saugschlauch gerade biegen oder ersetzen. ■ Nur sauberes Wasser verwenden. ■ Düse entfernen und Wasser aus dem Schlauch spritzen, um die Verstopfung im Schlauch zu beseitigen.

PROBLEM	URSACHE	LÖSUNG
Es spritzt kein Wasser heraus.	<ul style="list-style-type: none"> ■ Nicht an die Wasserversorgung angeschlossen. ■ Der Filter ist komplett verstopft. ■ Das Metallsieb in der Wasserzulauföffnung ist komplett verstopft. ■ Die Düse ist verstopft. ■ Pumpe, Schläuche oder andere Bestandteile sind eingefroren. 	<ul style="list-style-type: none"> ■ Prüfen, ob der Hochdruckreiniger korrekt an die Wasserversorgung angeschlossen ist. ■ Filter reinigen. ■ Metallsieb herausnehmen und reinigen. ■ Mit der Düsenreinigungsnadel die Löcher reinigen. ■ Warten, bis sie aufgetaut sind.
Der Wasserfluss ist nicht stabil.	<ul style="list-style-type: none"> ■ Luft strömt in die Hochdruckreiniger ■ Pumpendichtungen sind abgenutzt. 	<ul style="list-style-type: none"> ■ Prüfen, ob der Saugschlauch korrekt angeschlossen ist. ■ Wenden Sie sich an den EGO-Kundendienst.
Der Sprühvorgang startet oder stoppt automatisch.	<ul style="list-style-type: none"> ■ Der Hochdruckschlauch ist beschädigt. ■ Aus der Pistole tritt Wasser aus. ■ Pumpendichtungen, Schlauchdichtungen sind abgenutzt. 	<ul style="list-style-type: none"> ■ Durch neuen Hochdruckschlauch ersetzen. ■ Wenden Sie sich an den EGO-Kundendienst. ■ Wenden Sie sich an den EGO-Kundendienst.
Der Hochdruckreiniger kann nicht über die Pistole gesteuert werden.	<ul style="list-style-type: none"> ■ Die Pistole ist außerhalb der Reichweite der drahtlosen Verbindung. ■ Der Ladezustand der Knopfzellenbatterie ist niedrig. ■ Die Pistole ist nicht richtig gekoppelt. ■ Die Knopfzellenbatterie ist nicht richtig eingelegt. 	<ul style="list-style-type: none"> ■ Die Pistole näher an den Hochdruckreiniger bringen. ■ Die Batterie durch eine neue Knopfzellenbatterie ersetzen. ■ Kopplung gemäß den Anweisungen im Abschnitt „Kopplung der Handspritzpistole“ durchführen. ■ Die Knopfzellenbatterie gemäß den Anweisungen im Abschnitt „AUSWECHSELN DER KNOPFZELLENBATTERIE“ ersetzen.

GARANTIE

EGO-GARANTIEBEDINGUNGEN

Sämtliche EGO-Garantiebedingungen finden Sie auf der Website egopowerplus.eu.

LISEZ TOUTES LES INSTRUCTIONS!

FR**LIRE LA NOTICE D'UTILISATION**

⚠ AVERTISSEMENT : Pour garantir la sécurité et la fiabilité, toutes les réparations doivent être effectuées par un réparateur qualifié.

SYMBOLE DE SECURITE

L'objectif des symboles de sécurité est d'attirer votre attention sur des dangers potentiels. Les symboles de sécurité et les explications les accompagnant doivent être lus attentivement et compris. Les symboles de mise en garde ne permettent pas par eux-mêmes d'éliminer les dangers. Les consignes et mises en garde ne se substituent pas à des mesures de prévention des accidents appropriées.

⚠ AVERTISSEMENT : Veillez à lire et de comprendre toutes les consignes de sécurité de ce manuel d'utilisation, y compris les symboles d'alerte de sécurité tels que « **DANGER** », « **AVERTISSEMENT** » et « **ATTENTION** » avant d'utiliser cette machine. Le non-respect de toutes les instructions énumérées ci-dessous peut entraîner un choc électrique, un incendie et / ou des blessures graves.

⚠ AVERTISSEMENT : Risque d'incendie et de brûlures. Ne démontez pas, ne chauffez pas au-dessus de 100 °C et n'incinerez pas la batterie. Rangez la batterie hors de portée des enfants et dans son emballage d'origine jusqu'à son utilisation. Mettez les batteries usagées au rebut rapidement et conformément aux réglementations locales relatives au recyclage et aux déchets.

CONSIGNES DE SÉCURITÉ

Cette page décrit des symboles de sécurité pouvant être présents sur ce produit. Lisez, comprenez et respectez toutes les instructions présentes sur l'outil avant d'essayer de l'assembler et de l'utiliser.



Alerte de sécurité



Pour réduire le risque de blessures, l'utilisateur doit lire la notice d'utilisation.



Ne dirigez jamais l'appareil sur vous-même, d'autres personnes, des animaux, des sources d'électricité, ou l'appareil lui-même.



Ce produit est conforme aux directives CE applicables.



Ne pas raccorder au réseau d'eau potable.



Conformité Royaume-Uni évaluée



Les produits électriques usagés ne doivent pas être jetés avec les ordures ménagères. Apportez-les dans un centre de recyclage agréé.



Pression d'eau



Débit d'eau



Température d'utilisation



Courant continu



kg Kilogramme

V Tension

MPa Megapascal

°C Celsius

L/min Litres par minute

FR

IPX5 Protection contre les projections d'eau

⚠ AVERTISSEMENT : Vous devez avoir lu et compris toutes les instructions avant d'utiliser la machine. Le non-respect de l'intégralité des consignes listées dans cette notice d'utilisation peut provoquer un choc électrique, un incendie et/ou des blessures corporelles graves.

⚠ AVERTISSEMENT : Lors de l'utilisation de nettoyeurs haute pression, des aérosols peuvent se former. L'inhalation d'aérosols peut être dangereuse pour la santé.

⚠ AVERTISSEMENT : Les jets à haute pression peuvent être dangereux s'ils sont mal utilisés. Le jet ne doit pas être dirigé vers des personnes, des appareils électriques sous tension ou la machine elle-même.

⚠ AVERTISSEMENT : N'utilisez pas la machine à portée de personnes qui ne portent pas de vêtements de protection.

⚠ AVERTISSEMENT : Ne dirigez pas le jet contre vous-même ou contre d'autres personnes pour nettoyer des vêtements ou des chaussures.

⚠ AVERTISSEMENT : Risque d'explosion – Ne pas pulvériser de liquides inflammables.

⚠ AVERTISSEMENT : Les nettoyeurs haute pression ne doivent pas être utilisés par des enfants ou des personnes non formées à cette fin.

⚠ AVERTISSEMENT : Les tuyaux, raccords et attaches sont importants pour la sécurité de la machine.

⚠ AVERTISSEMENT : L'eau qui s'est écoulée à travers des clapets anti-retour est considérée comme non potable.

⚠ AVERTISSEMENT : N'utilisez pas la machine si des pièces importantes de la machine sont endommagées, p. ex. des dispositifs de sécurité, des tuyaux haute pression, un pistolet à pression court.


⚠ AVERTISSEMENT : Selon l'application, des buses blindées peuvent être utilisées pour le nettoyage à haute pression, ce qui réduit considérablement les émissions d'aérosols hydratés. Cependant, toutes les applications ne permettent pas l'utilisation d'un tel appareil. Si les buses blindées ne conviennent pas à la protection contre les aérosols, un masque respiratoire de classe FFP 2 ou équivalent peut être nécessaire, en fonction des conditions du nettoyage.

- Cette machine n'est pas conçue pour être utilisée par des personnes (notamment des enfants) dont les capacités physiques, sensorielles ou mentales sont limitées ou qui ne disposent pas de l'expérience et des connaissances nécessaires. Il convient de surveiller les enfants pour s'assurer qu'ils ne jouent pas avec l'appareil.
- Vous devez savoir arrêter l'appareil et purger la pression rapidement. Vous devez être parfaitement familiarisé avec les commandes.
- Évitez les démarrages accidentels. Vérifiez que l'interrupteur est dans la position arrêt avant de brancher l'outil à la batterie, de saisir l'appareil ou de le porter. Porter l'appareil avec le doigt sur l'interrupteur ou le brancher à une alimentation électrique alors que l'appareil est dans la position marche augmente le risque d'accident.
- Soyez toujours conscient du danger de la force de réaction et du couple soudain sur l'ensemble de l'appareil lors de l'utilisation du pistolet.
- N'exposez pas l'appareil ou la batterie à des températures excessives.
- Soyez conscient du risque de court-circuit des bornes de l'appareil fonctionnant sur batterie ou de la batterie elle-même en cas de contact avec des objets métalliques.
- Les batteries rechargeables doivent être retirées de l'appareil avant d'être chargées.
- Évitez de mélanger différents types de piles, ou des piles neuves et usagées.
- Les piles épuisées doivent être retirées de l'appareil et éliminées en toute sécurité.
- Si l'appareil doit être stocké pendant une période prolongée, retirez-en la batterie.
- N'utilisez pas de piles non rechargeables à la place de piles rechargeables.
- N'utilisez pas de piles modifiées ou endommagées.
- **Utilisez l'appareil uniquement avec les batteries et chargeurs spécifiés.**

Conservez ce manuel d'utilisation. Consultez-la fréquemment et servez-vous-en pour informer les autres personnes souhaitant utiliser cette machine. Si vous prêtez cette machine à un tiers, prêtez-lui également ce manuel d'utilisation pour éviter l'utilisation incorrecte du produit et des blessures potentielles.

REMARQUE : Le niveau de vibrations lors de l'utilisation réelle de l'outil peut être différent de la valeur déclarée totale en fonction de la manière dont l'outil est utilisé. Afin de protéger l'opérateur, l'utilisateur doit porter des gants et des protections auditives en conditions réelles d'utilisation.

SPÉCIFICATIONS

Tension	56 V 
Pression nominale maximale	135 bar
Débit nominal maximum (avec lance à raccordement rapide et baguette en inox connectées)	6,5 L/min
Débit nominal maximum (avec seulement le pistolet à pression court connecté)	9,5 L/min
Limite de pression maximale pour le pistolet	250 bar
Limite de débit maximum pour le pistolet	30 L/min
Poids (sans batterie)	16,8 kg
Température d'utilisation recommandée	5 °C – 40 °C
Température de stockage recommandée	-20 °C – 70 °C
Niveau de puissance acoustique mesuré L_{WA}	84 dB(A) K=1,8 dB(A)
Pression acoustique au niveau des oreilles de l'opérateur L_{PA}	72 dB(A) K=3 dB(A)
Niveau de puissance acoustique garanti L_{WA} (conformément à la norme 2000/14/CE)	86 dB(A)
Vibrations a_h	3,6 m/s ² K=0,9 m/s ²

- La valeur totale des vibrations indiquée a été mesurée selon une procédure conforme à une méthode de test standardisée et peut servir pour comparer différents outils.
- La valeur totale des vibrations déclarée peut également servir pour effectuer une évaluation préliminaire de l'exposition.

ACCESSOIRES RECOMMANDÉS

AVERTISSEMENT : Utilisez uniquement les accessoires répertoriés ci-dessous. L'utilisation d'accessoires ne correspondant pas aux caractéristiques de l'équipement d'origine peut entraîner un dysfonctionnement et compromettre la sécurité.

NOM DES PIÈCES	NUMÉRO DE MODÈLE
Canon à mousse premium	AFC2000E
Buse turbo	ANZ2000E-T
Buse 15°	ANZ2015E
Buse 25°	ANZ2025E
Buse 40°	ANZ2040E
Buse de rinçage	ANZ2000E-R

CONTENU DE L'EMBALLAGE (IMAGE A1)

DESCRIPTION

DESCRIPTION DE VOTRE NETTOYEUR HAUTE PRESSION (Fig. A1)

1. Manche télescopique
2. Bouton de verrouillage de la poignée
3. Support supérieur
4. Roue (x2)
5. Support inférieur
6. Port d'arrivée d'eau
7. Port de sortie d'eau
8. Bouton de vitesse
9. Indicateur de vitesse
10. Bouton de mise en marche
11. Compartiment de la batterie
12. Rangement des buses
13. Couvercle du compartiment de la batterie
14. Contacts électriques
15. Mécanisme d'éjection
16. Bouton de déverrouillage de la batterie
17. Sangle de support de tuyau
18. Baguette en acier inoxydable
19. Lance à connexion rapide
20. Tuyau haute pression

21. Tuyau de siphon
22. Jeu de raccords rapides (x2)
23. Canon à mousse
24. Filtre
25. Aiguille de nettoyage de buse
26. Buse de rinçage
27. Buse 40°
28. Buse 25°
29. Buse 15°
30. Buse TURBO
31. Pistolet à pression court
32. Couvercle de la batterie
33. Jauge à 5 LED
34. Indicateur de vitesse
35. Bouton de vitesse
36. Poignée de pistolet
37. Interrupteur-gâchette
38. Bouton de déverrouillage

ASSEMBLAGE

INSTALLATION DE L'ENSEMBLE DE SUPPORT (Fig. B)

B-1	Support supérieur	B-2	Support inférieur
B-3	Vis		

RACCORDEMENT DU TUYAU HAUTE PRESSION (Fig. C – Fig. D)

Vous pouvez raccorder le tuyau haute pression de l'une des manières suivantes :

- Raccordez le tuyau haute pression au port de sortie d'eau et au pistolet directement à l'aide des connecteurs filetés (Fig. C1 – Fig. C2) ;
- Raccordez le tuyau haute pression au port de sortie d'eau et au pistolet à l'aide de deux jeux de raccords rapides afin de faciliter l'installation/le retrait (Fig. D1 – Fig. D2).

REMARQUE : Les jeux de raccords rapides ont été installés en usine sur le port de sortie d'eau, le tuyau haute pression et le pistolet.

RACCORDEMENT DE LA LANCE ET DE LA BAGUETTE (Fig. E1 – Fig. E2)

Pour le démontage, dévissez la baguette de la lance puis ôtez-la ; dévissez le bouton de la lance puis tirez vers l'arrière la bague extérieure du raccord rapide du pistolet pour enlever la lance.

⚠ AVERTISSEMENT : Tenez toujours le pistolet d'une main et la lance de l'autre main lorsque vous démontez la lance du pistolet. Des blessures peuvent se produire si la lance tombe.

RACCORDEMENT D'UNE BUSE (Fig. F1 / Fig. F2)

REMARQUE : Les buses ne peuvent pas être raccordées à la lance.

- Choisissez la buse 15°, la buse 25°, la buse 40° ou la buse Turbo à installer sur la lance (Fig. F1).

F1-1	Buse 15°	F1-2	Buse 25°
F1-3	Buse 40°	F1-4	Buse TURBO

- La buse de rinçage se raccorde directement au pistolet (Fig. F2).

F2-1	Buse de rinçage
------	-----------------

⚠ AVERTISSEMENT : Tenez toujours le pistolet d'une main et la buse de l'autre main lorsque vous débranchez la buse du pistolet. Des blessures peuvent survenir si la buse est éjectée brutalement.

Référez-vous au tableau ci-dessous pour choisir la buse adaptée au travail.

Sélection des buses	Applications
Buse jaune 15°	Nettoyage des petites surfaces en métal, en béton ou en bois.
Buse verte 25°	Nettoyage des grandes surfaces en métal, en béton ou en bois.
Buse blanche 40°	Nettoyage des grandes surfaces en métal, en béton, en bois ou en vinyle.
Buse de rinçage grise	Rinçage des véhicules. Rinçage du détergent sur du métal, du béton, du bois ou du vinyle.
Turbobuse	Nettoyage des surfaces dures seulement. Afin d'éviter d'endommager les surfaces, ne pas utiliser sur les voitures et les surfaces en bois.

RACCORDEMENT DU CANON À MOUSSE (Fig. G)

Le canon à mousse est directement raccordé au pistolet.

Pour le démontage, retirez la bague extérieure du raccord rapide, puis retirez le canon à mousse.

RACCORDEMENT DU TUYAU DE SIPHON (Fig. H1 – Fig. H2)

Si vous utilisez un seau d'eau (non fourni) comme source d'eau, raccordez le nettoyeur haute pression au tuyau de siphon.

REMARQUE : Pré-remplissez le seau pour que le filtre immergé ne flotte pas à la surface.

RACCORDEMENT À UN TUYAU D'ARROSAGE (NON FOURNI)

Si vous utilisez un robinet d'eau courante (non fourni) comme source d'eau, raccordez le nettoyeur haute pression à un tuyau d'arrosage (non fourni).

FONCTIONNEMENT

APPLICATION

Vous pouvez utiliser cet outil pour les usages listés ci-dessous :

- Nettoyer la saleté sur les automobiles, les murs, les sols, etc.

INSERTION / RETRAIT DE LA BATTERIE

Utilisez exclusivement les batteries et les chargeurs EGO listés au schéma A2.

Reportez-vous aux manuels des batteries et des chargeurs correspondants pour plus de détails.

Rechargez complètement la batterie avant la première utilisation.

REMARQUE : L'utilisation d'une seule batterie ne

vous permet pas d'atteindre la vitesse **TURBO**. Pour de meilleures performances, nous recommandons fortement l'utilisation de deux batteries de 5,0 Ah ou plus.

- Soulevez le couvercle du compartiment de la batterie par l'avant.
- Pour la fixation**, alignez les arêtes de la batterie sur les rainures d'assemblage et enfoncez la batterie jusqu'à entendre un dé clic. Fixez l'autre batterie (Fig. I1).
- Pour retirer la batterie**, appuyez sur le bouton de déverrouillage de la batterie et retirez la batterie hors de l'outil (Fig. I2).

I2-1	Bouton d'éjection de la batterie
------	----------------------------------

- Fermez le couvercle du compartiment de la batterie.

DÉMARRAGE/ARRÊT DU NETTOYEUR HAUTE PRESSION (Fig. J)

Pour démarrer le nettoyeur haute pression :

REMARQUE : Ne démarrez pas le nettoyeur haute pression sans que l'alimentation en eau ne soit raccordée et ouverte. Cela pourrait endommager les joints haute pression et réduire la durée de vie de la pompe.

- Assurez-vous que le tuyau de siphon, le tuyau haute pression, le pistolet et la buse sont correctement raccordés.
- Raccordez la lance, la baguette, le canon à mousse, le filtre selon vos besoins.
- Choisissez l'un des moyens d'alimentation en eau ci-dessous :
 - Si vous utilisez un tuyau d'arrosage (non fourni), raccordez le nettoyeur haute pression au tuyau d'arrosage puis ouvrez le robinet.
 - Si vous utilisez un seau d'eau, raccordez le filtre au tuyau de siphon, puis plongez complètement le filtre et le joint à raccord rapide dans le seau.
- Installez la ou les batteries.
- Appuyez sur le bouton marche/arrêt pour allumer le nettoyeur haute pression. Le nettoyeur fonctionnera toujours à grande vitesse après chaque démarrage.

REMARQUE : Lorsque le nettoyeur haute pression est allumé mais sans autre action, il s'éteint automatiquement après 5 minutes de veille. Pendant les premières minutes de veille, l'indicateur de vitesse du nettoyeur haute pression affiche trois voyants verts clignotants, cela indique qu'il n'y a pas d'eau qui coule dans le tuyau de siphon.

- Tenez le pistolet à deux mains, appuyez sur le côté déverrouillage du bouton de verrouillage, puis enfoncez la gâchette jusqu'à ce qu'un flux d'eau constant soit produit.

REMARQUE : Si la lance est raccordée, tenez le pistolet d'une main et la lance de l'autre main.

- Commencez le lavage.

REMARQUE : L'eau peut mettre un certain temps à sortir de la buse sous forme de jet constant selon la distance parcourue depuis la source. Pour obtenir rapidement un débit d'eau constant, vous pouvez par exemple :

- Enlever la buse.
- Appuyer sur la gâchette et attendre qu'un jet d'eau constant commence à sortir de la bague.
- Relâcher la gâchette et réinstaller la buse.

Pour arrêter le nettoyeur haute pression

- Une fois le lavage terminé, relâchez la gâchette et appuyez sur le bouton de verrouillage pour la verrouiller en position.
- Appuyez sur le bouton marche/arrêt pour éteindre le nettoyeur haute pression.
- Fermez le robinet ou retirez le tuyau de siphon du seau d'eau.
- Mettez le bouton de verrouillage du pistolet en position de déverrouillage et appuyez sur la gâchette pour vider l'eau restant dans les tuyaux.

REMARQUE : Le pistolet, les tuyaux, les lances, les buses ou le canon à mousse ne doivent pas être débranchés tant que de l'eau reste dans les tuyaux.

- Débranchez et retirez le pistolet, les tuyaux, les lances, les buses ou le canon à mousse.
- Appuyez sur le bouton marche/arrêt pour allumer le nettoyeur haute pression afin de le vider de son eau.
- Appuyez à nouveau sur le bouton marche/arrêt pour éteindre le nettoyeur haute pression.
- Retirez le(s) bloc(s) de batterie(s).

TÉLÉCOMMANDE

Le pistolet peut être appairé au nettoyeur haute pression pour fonctionner comme une télécommande.

Appairage du pistolet à pression court (Fig. K)

- Insérez la ou les batteries et allumez le nettoyeur haute pression.
- Faites un appui long sur le bouton de vitesse du nettoyeur haute pression jusqu'à ce que ses trois voyants verts commencent à clignoter.

REMARQUE : Le clignotement dure environ 20 s, le pistolet ne peut donc être appairé que pendant ce laps de temps. Vous pouvez également appuyer brièvement sur le bouton de vitesse du nettoyeur pour quitter le mode de connexion à tout moment.

- Faites un appui long sur le bouton de vitesse du pistolet jusqu'à ce que ses trois voyants verts commencent à clignoter, signifiant que le processus d'appairage a commencé.

REMARQUE : Le clignotement indiquant le processus d'appairage dure environ 10 s. Vous pouvez quitter le processus d'appairage à tout moment par un appui court sur le bouton de vitesse du pistolet.

- Les indicateurs de vitesse sur le nettoyeur et le pistolet montrent 3 voyants verts ensemble pendant 3 s pour indiquer que l'appairage a réussi, puis montrent 2 voyants verts.
- Si l'appairage a échoué, les indicateurs de vitesse sur le nettoyeur et le pistolet montrent 3 voyants verts qui clignotent puis s'éteignent.

Utilisation de la télécommande

Une fois l'appairage terminé, appuyez une fois sur le bouton de vitesse du pistolet, la jauge à 5 LED et l'indicateur de vitesse s'allument. Appuyez à nouveau sur le bouton de vitesse pour modifier la vitesse.

REMARQUE :

- La jauge à 5 LED et l'indicateur de vitesse s'éteignent lorsque le bouton de vitesse du pistolet n'est pas actionné pendant 10 s.
- La jauge à 5 LED indique le niveau de charge de la batterie. Lorsque deux batteries sont installées, elle indique le niveau de la batterie ayant la charge la plus élevée.
- L'indicateur de vitesse sur le pistolet est toujours synchronisé avec celui sur le nettoyeur haute pression.

SÉLECTION DE LA VITESSE

- La vitesse du nettoyeur haute pression peut être ajustée à l'aide du bouton de vitesse situé sur le nettoyeur haute pression ou sur le pistolet appairé.
- La vitesse du nettoyeur haute pression peut être modifiée lorsque le nettoyeur est mis en marche ou pendant la pulvérisation.
- Chaque fois que vous appuyez sur le bouton de vitesse, la vitesse alterne entre le niveau élevé, le niveau TURBO et le niveau bas. L'indicateur de vitesse affiche un voyant vert, deux voyants verts ou trois voyants verts pour indiquer que le nettoyeur haute pression fonctionne respectivement à basse vitesse, grande vitesse ou TURBO.

REMARQUE : Lorsqu'une seule batterie est insérée, la vitesse TURBO ne peut pas être atteinte et chaque fois que le bouton de vitesse est enfoncé, la vitesse alterne entre le niveau haut et le niveau bas.

REMARQUE : Si le nettoyeur haute pression fonctionne continuellement à la vitesse TURBO, la durée de fonctionnement par charge peut en être affectée.

NETTOYAGE AVEC DÉTERGENT

⚠ AVERTISSEMENT : Utilisez uniquement des détergents spécialement conçus pour être utilisés avec des nettoyeurs haute pression. Suivez les instructions d'application, d'élimination et de sécurité du fabricant du détergent.

1. Tournez la bouteille du canon à mousse dans le sens inverse des aiguilles d'une montre et retirez-la (Fig. L1).
2. Versez le détergent dans la bouteille.

REMARQUE : La température du détergent ne doit pas dépasser 60 °C.

3. Montez le canon à mousse et raccordez-le au raccord rapide du pistolet.
4. Tournez le bouton de détergent pour ajuster la quantité de détergent ajoutée au flux d'eau en fonction de vos besoins (Fig. L2).

ENTRETIEN

⚠ AVERTISSEMENT : Afin d'éviter des blessures corporelles graves, retirez la batterie de l'appareil avant toute opération de réparation, nettoyage, changement d'accessoires ou de retrait de matières de l'outil.

ENTRETIEN GÉNÉRAL

N'utilisez pas de solvant pour nettoyer les pièces en plastique. La plupart des plastiques peuvent être détériorés par de nombreux types de solvants vendus dans le commerce. Utilisez un chiffon propre pour enlever les saletés, les poussières, l'huile, la graisse, etc.

⚠ AVERTISSEMENT : Veillez à ce que les pièces en plastique n'entrent jamais en contact avec du liquide de frein, de l'essence, des produits à base de pétrole, du dégrissant, etc. Les produits chimiques peuvent endommager, fragiliser ou détruire les pièces en plastique, ce qui peut provoquer des blessures corporelles graves.

⚠ AVERTISSEMENT : Afin de réduire le risque d'incendie, de blessures corporelles et de dommages au produit dus à un court-circuit, n'immergez en aucun cas la machine, la batterie ou le chargeur dans un liquide et ne laissez jamais un liquide s'écouler à l'intérieur. Les fluides corrosifs ou conducteurs, tels que l'eau de mer, certains produits chimiques industriels, l'eau de Javel ou les produits contenant de l'eau de Javel, etc., peuvent provoquer un court-circuit.

REMPACEMENT DE LA PILE BOUTON (Fig. M1&M2)

⚠ AVERTISSEMENT : Gardez-les hors de portée des enfants. L'ingestion peut entraîner des brûlures chimiques, une perforation des tissus mous voire un décès. De graves brûlures peuvent survenir dans les 2 heures suivant l'ingestion. Allez immédiatement aux urgences.

REMARQUE : N'enfoncez jamais la batterie directement dans le compartiment (Fig. M3). Sinon, les deux clips seront endommagés, entraînant une défaillance de la télécommande du pistolet.

M3-1	Attaches
------	----------

REMARQUE : Réparez le pistolet avec le nettoyeur haute pression après avoir remplacé la pile bouton en suivant les instructions de la section «**Appairage du pistolet à pression court**».

NETTOYER LES FILTRES

- Dévissez et retirez le bouton du port d'arrivée d'eau, puis retirez le treillis métallique du port d'arrivée d'eau, rincez le treillis métallique ou remplacez-le si nécessaire (Fig. N1).

N1-1	Treillis métallique
------	---------------------

- Retirez le filtre du tuyau de siphon, dévissez le filtre, puis rincez-le soigneusement (Fig. N2).

NETTOYAGE DES BUSES (Fig. O)

Lorsque les trous des buses sont obstrués, vous pouvez utiliser l'aiguille de nettoyage des buses fournie pour la passer dans les trous et les déboucher.

TRANSPORT DU NETTOYEUR HAUTE PRESSION (Fig. P)

Appuyez sur le bouton de verrouillage de la poignée, puis tirez le manche télescopique jusqu'au premier niveau de longueur jusqu'à entendre un « clic ». Si vous le souhaitez, vous pouvez appuyer sur le bouton de verrouillage de la poignée, puis tirer le manche télescopique jusqu'au deuxième cran de longueur.

RANGEMENT DU NETTOYEUR HAUTE PRESSION

1. Arrêtez le nettoyeur haute pression, relâchez la pression, videz l'eau et enlevez la batterie de l'appareil en suivant les instructions de la section «**Pour arrêter le nettoyeur haute pression**».
2. Rangez les buses dans le compartiment de rangement prévu à cet effet du nettoyeur haute pression (Fig. Q1).
3. Enroulez le tuyau haute pression et rangez-le derrière le manche télescopique (Fig. Q2).
4. Rangez le pistolet, la lance et la baguette dans les supports ou débranchez le pistolet et rangez-le dans les supports supérieurs (Fig. Q3).
5. Nettoyez soigneusement le nettoyeur haute pression avant de le ranger.
6. Rangez le nettoyeur haute pression dans un endroit sec, bien aéré, fermé à clé ou en hauteur et hors de portée des enfants. Ne rangez pas le nettoyeur haute pression sur ou à côté d'engrais, d'essence ou d'autres substances chimiques.

Protection de l'environnement



Ne jetez pas les équipements électriques, les batteries et les chargeurs usagés avec les ordures ménagères ! Apportez ce produit chez un recycleur agréé et rendez-le disponible pour une collecte séparée. Les outils électriques doivent être amenés dans un centre de recyclage pour assurer le respect de l'environnement.

FR

GUIDE DE DÉPANNAGE

FR

PROBLÈME	CAUSE	SOLUTION
Le nettoyeur haute pression ne s'allume pas.	<ul style="list-style-type: none"> ■ La batterie est presque épuisée. ■ La batterie n'est pas installée correctement. 	<ul style="list-style-type: none"> ■ Rechargez le bloc de batterie. ■ Faites coulisser la batterie dans le compartiment à batterie jusqu'à ce qu'elle s'enclenche.
La vitesse TURBO ne s'active pas.	<ul style="list-style-type: none"> ■ Une seule batterie est utilisée pour le fonctionnement du nettoyeur. 	<ul style="list-style-type: none"> ■ Utilisez deux batteries de 5,0 Ah ou plus.
La pompe du nettoyeur haute pression cesse de fonctionner et l'indicateur de vitesse du nettoyeur haute pression montre 3 voyants verts clignotants.	<ul style="list-style-type: none"> ■ Le nettoyeur haute pression ou la ou les batteries sont en surchauffe. ■ La buse est bouchée. ■ Aucune eau ne coule dans le tuyau de siphon. ■ La batterie est presque épuisée. ■ Autre(s) défaut(s) électronique(s). 	<ul style="list-style-type: none"> ■ Attendez que le nettoyeur haute pression ou la ou les batteries reviennent à la température de fonctionnement, puis redémarrez le nettoyeur. ■ Utilisez l'aiguille de nettoyage des buses pour passer dans les trous. ■ Vérifiez et assurez-vous que l'eau s'écoule correctement dans le tuyau de siphon. ■ Rechargez le bloc de batterie. ■ Contactez le service client EGO.
Le débit d'eau est faible lors de la pulvérisation.	<ul style="list-style-type: none"> ■ Le filtre est partiellement bloqué. ■ Le treillis métallique dans le port d'arrivée d'eau est partiellement obstrué. ■ Le filtre et le raccord rapide du tuyau de siphon ne sont pas entièrement immergés dans l'eau. ■ Le tuyau de siphon est plié. ■ L'eau est sale. ■ Le tuyau haute pression est bouché. 	<ul style="list-style-type: none"> ■ Nettoyez le filtre. ■ Retirez et nettoyez le treillis métallique. ■ Plongez complètement le filtre et le joint à raccord rapide dans l'eau. ■ Dépliez le tuyau de siphon ou remplacez-le. ■ L'eau doit impérativement être propre. ■ Retirez la buse, puis commencez à pulvériser de l'eau depuis le tuyau pour le déboucher.

PROBLÈME	CAUSE	SOLUTION
L'eau ne sort pas.	<ul style="list-style-type: none"> ■ Il n'y a pas d'alimentation en eau. ■ Le filtre est complètement bloqué. ■ Le treillis métallique dans le port d'arrivée d'eau est complètement obstrué. ■ La buse est bouchée. ■ La pompe, les tuyaux ou d'autres composants sont gelés. 	<ul style="list-style-type: none"> ■ Assurez-vous que le nettoyeur est correctement raccordé à l'alimentation en eau. ■ Nettoyez le filtre. ■ Retirez et nettoyez le treillis métallique. ■ Utilisez l'aiguille de nettoyage des buses pour passer dans les trous. ■ Attendez qu'ils soient décongelés.
Le débit d'eau n'est pas stable.	<ul style="list-style-type: none"> ■ De l'air circule dans le nettoyeur. ■ Les joints de pompe sont usés. 	<ul style="list-style-type: none"> ■ Assurez-vous que le tuyau de siphon est correctement raccordé. ■ Contactez le service client EGO.
La pulvérisation d'eau démarre ou s'arrête automatiquement.	<ul style="list-style-type: none"> ■ Le tuyau haute pression est endommagé. ■ Il y a une fuite d'eau au niveau du pistolet. ■ Les joints de pompe et de tuyau sont usés. 	<ul style="list-style-type: none"> ■ Remplacez-le par un tuyau haute pression neuf. ■ Contactez le service client EGO. ■ Contactez le service client EGO.
Le pistolet ne peut pas contrôler le nettoyeur.	<ul style="list-style-type: none"> ■ Le pistolet est positionné hors de portée de la connexion sans fil. ■ La pile bouton est bientôt épuisée. ■ Le pistolet n'est pas appairé correctement. ■ La pile bouton n'est pas installée correctement. 	<ul style="list-style-type: none"> ■ Rapprochez le pistolet du nettoyeur haute pression. ■ Remplacez-la par une pile bouton neuve. ■ Terminez le Appairage en suivant les instructions de la section «Appairage du pistolet à pression court». ■ Installez la pile bouton en suivant les instructions de la section «REPLACEMENT DE LA PILE BOUTON».

GARANTIE

POLITIQUE DE GARANTIE EGO

Rendez-vous sur le site web egopowerplus.eu pour consulter l'intégralité des conditions de la politique de garantie EGO.

¡LEA TODAS LAS INSTRUCCIONES!

ES



LEER EL MANUAL DEL USUARIO

⚠ ADVERTENCIA: Para garantizar la seguridad y fiabilidad de la herramienta, las reparaciones debe realizarlas únicamente un técnico cualificado.

SÍMBOLO DE SEGURIDAD

El propósito de los símbolos de seguridad es atraer su atención hacia posibles peligros. Los símbolos de seguridad y las explicaciones que los acompañan requieren su máxima atención y comprensión. Por sí solos, los símbolos de advertencia no eliminan los posibles peligros. Las instrucciones y advertencias que proporcionan no sustituyen a las medidas adecuadas de prevención de accidentes.

⚠ ADVERTENCIA: Asegúrese de haber leído y entendido perfectamente todas las instrucciones que aparecen en este manual del usuario, incluidos todos los símbolos de aviso sobre seguridad, como «PELIGRO», «ADVERTENCIA» y «PRECAUCIÓN» antes de utilizar esta máquina. Si no se observan todas las instrucciones que se indican a continuación existe riesgo de incendio, electrocución y lesiones graves.

⚠ ADVERTENCIA: Riesgo de incendio y quemaduras. No desmonte, incinere ni exponga el producto a temperaturas superiores a 100 °C. Mantenga el acumulador fuera del alcance de niños y guardado en su embalaje original hasta que vaya a utilizarlo. Deseche puntualmente los acumuladores agotados conforme a lo establecido por las normativas locales en materia de reciclaje o eliminación de residuos.

PRECAUCIONES DE SEGURIDAD

Esta página muestra y describe los símbolos de seguridad que puede haber en este producto. Antes del montaje y utilización del producto, asegúrese de leer, comprender y seguir todas las instrucciones que están en la máquina.



Aviso de seguridad



Para reducir el riesgo de lesiones, el usuario debe leer el manual de instrucciones.



Nunca rocíe sobre usted mismo, ni sobre otras personas, animales, fuentes de energía o la propia unidad.



Este producto está en conformidad con las directivas de la CE aplicables.



No conectar a la red de agua potable.



Conformidad para el Reino Unido evaluada



Los productos eléctricos no deben eliminarse con la basura doméstica. Llévelos a un centro de reciclaje autorizado.



Presión de agua



Caudal de agua



Temperatura de funcionamiento



Corriente continua

kg

Kilogramo

V Tensión

MPa Megapascal

°C Celsius

L/min Litros por minuto

IPX5 Protección contra los chorros de agua

ES

⚠ ADVERTENCIA: Lea y comprenda todas las instrucciones antes de utilizar la máquina. Si no se siguen todas las instrucciones que se indican abajo, se pueden producir descargas eléctricas, incendios o lesiones graves.

⚠ ADVERTENCIA: Durante el uso de hidrolimpiadoras pueden formarse aerosoles. La inhalación de aerosoles puede ser peligrosa para la salud.

⚠ ADVERTENCIA: Los chorros de alta presión pueden ser peligrosos si se utilizan mal. El chorro no debe dirigirse hacia personas, equipos eléctricos bajo tensión o la propia máquina.

⚠ ADVERTENCIA: No utilice la máquina al alcance de personas que no lleven ropa de protección.

⚠ ADVERTENCIA: No dirija el chorro contra sí mismo o contra otras personas para limpiar la ropa o los pies.

⚠ ADVERTENCIA: Riesgo de explosión - No pulverice líquidos inflamables.

⚠ ADVERTENCIA: Las hidrolimpiadoras de alta presión no deben ser utilizadas por niños ni por personal no formado.

⚠ ADVERTENCIA: Las mangueras de alta presión, los accesorios y los acoplamientos son importantes para la seguridad de la máquina.

⚠ ADVERTENCIA: El agua que ha atravesado los desconectores se considera no potable.


⚠ ADVERTENCIA: No utilice la máquina si alguna pieza importante de la misma está dañada, por ejemplo, los dispositivos de seguridad, las mangueras de alta presión o la pistola de presión corta.

⚠ ADVERTENCIA: Dependiendo de la aplicación, pueden utilizarse boquillas blindadas para la limpieza a alta presión, lo que reducirá drásticamente la emisión de aerosoles hídricos. Sin embargo, no todas las aplicaciones permiten el uso de un dispositivo de este tipo. Si las boquillas blindadas no son aplicables para la protección contra aerosoles, puede ser necesaria una máscara respiratoria de clase FFP 2 o equivalente, dependiendo del entorno de limpieza.

- Esta máquina no está prevista para que la usen personas (incluidos los niños) con capacidades físicas, sensoriales o mentales reducidas, o que carezcan de los conocimientos y la experiencia adecuados. Deberá supervisarse a los niños para asegurarse de que no jueguen con el aparato.
- Debe saber cómo parar el producto y descargar la presión rápidamente. Familiarícese bien con los controles.
- Evite la puesta en marcha accidental de la herramienta. Asegúrese de que el interruptor se encuentra en la posición de apagado antes de conectar la batería, así como al recoger o transportar el aparato. Si lleva un aparato con el dedo puesto sobre el interruptor, o si enchufa un aparato con el interruptor encendido, pueden producirse accidentes.
- Tenga siempre en cuenta el peligro de la fuerza de reacción y el par repentino en el conjunto de pulverización cuando utilice la pistola.
- No exponga el aparato ni la batería a temperaturas excesivas.
- Tenga en cuenta el riesgo de cortocircuito de los bornes del aparato que funciona con batería o de la batería con objetos metálicos.
- Las baterías recargables deben sacarse del aparato antes de cargarlas.
- No se deben mezclar distintos tipos de baterías, o ni baterías nuevas y usadas.
- Las baterías agotadas deben sacarse del aparato y desecharse de forma segura.
- Si tiene previsto guardar el aparato y no usarlo durante mucho tiempo, debe sacar las baterías.
- No utilice baterías no recargables en lugar de baterías recargables.
- No utilice baterías modificadas o dañadas.
- **Utilizar sólo con las baterías y cargadores especificados.**

Guarde estas instrucciones. Consúltelas con frecuencia y utilícelas para instruir a otras personas que vayan a usar esta máquina. En caso de prestar esta máquina a terceros, proporcióneles también estas instrucciones para evitar el uso incorrecto y posibles lesiones.

ESPECIFICACIONES

Tensión	56 V 
Presión nominal máxima	135 bar
Caudal nominal máximo (con lanza de conexión rápida y vara de acero inoxidable conectadas)	6,5 l/min
Caudal nominal máximo (sólo con la pistola de presión corta conectada)	9,5 l/min
Prión máxima limitada para la pistola	250 bar
Caudal máximo limitado para la pistola	30 l/min
Peso (sin batería)	16,8 kg
Temperatura de funcionamiento recomendada	De 5 °C a 40 °C
Temperatura de almacenamiento recomendada	De -20 °C a 70 °C
Nivel de potencia acústica ponderado (L_{WA})	84 dB(A) K = 1,8 dB(A)
Nivel de presión acústica medido a la altura del oído del usuario (L_{PA})	72 dB(A) K = 3 dB(A)
Nivel de potencia acústica garantizado L_{WA} (medido según 2000/14/CE)	86 dB(A)
Nivel de vibraciones a_n	3,6 m/s ² K = 0,9 m/s ²

- El valor de vibración total ha sido medido de acuerdo con el método de prueba estándar y se puede utilizar para comparar herramientas.
- El valor total de vibración declarado se puede usar además en una evaluación preliminar del grado de exposición.

AVISO: Las vibraciones generadas durante el uso real de la herramienta eléctrica pueden diferir del valor declarado en función de la manera en que se utilice. Como protección, el usuario debería utilizar guantes y protectores auditivos en condiciones reales de uso.

ACCESORIOS RECOMENDADOS

⚠ ADVERTENCIA: Utilice solo los accesorios que se enumeran a continuación. La utilización de accesorios que no cumplan las especificaciones de los equipos originales podría provocar un funcionamiento incorrecto y reducir la seguridad de la herramienta.

NOMBRE DE LA PIEZA	N.º DE MODELO
Cañón de espuma premium	AFC2000E
Boquilla turbo	ANZ2000E-T
Boquilla de 15°	ANZ2015E
Boquilla de 25°	ANZ2025E
Boquilla de 40°	ANZ2040E
Boquilla de enjuague	ANZ2000E-R

LISTA DE CONTENIDO (FIG. A1)

DESCRIPCIÓN

CONOZCA LA HIDROLIMPIADORA (Fig. A1)

1. Asa telescópica
2. Botón de bloqueo del asa
3. Soporte superior
4. Rueda (2 uds.)
5. Soporte inferior
6. Conexión de entrada de agua
7. Conexión de salida de agua
8. Botón de velocidad
9. Indicador de velocidad
10. Botón de encendido
11. Compartimento de la batería
12. Almacenamiento de boquillas
13. Tapa del compartimento de las baterías
14. Contactos eléctricos
15. Mecanismo de expulsión
16. Botón de liberación de la batería
17. Correa de soporte de manguera
18. Varilla de acero inoxidable
19. Lanza de conexión rápida
20. Manguera de alta presión
21. Manguera de sifón
22. Juego de acopladores rápidos (2 uds.)
23. Cañón de espuma
24. Filtro
25. Aguja de limpieza de boquillas
26. Boquilla de enjuague
27. Boquilla de 40°
28. Boquilla de 25°
29. Boquilla de 15°

30. Boquilla TURBO
31. Pistola de presión corta
32. Tapa de la pila
33. Indicador de energía de 5 LED
34. Indicador de velocidad
35. Botón de velocidad
36. Empuñadura de la pistola
37. Gatillo
38. Botón de desbloqueo

MONTAJE

INSTALACIÓN DEL CONJUNTO DE SOPORTES (Fig. B)

B-1	SopORTE superior	B-2	SopORTE inferior
B-3	Tornillos		

CONEXIÓN DE LA MANGUERA DE ALTA PRESIÓN (Fig. C - Fig. D)

Puede conectar la manguera de alta presión de una de las siguientes maneras:

- Conecte la manguera de alta presión a la conexión de salida de agua y a la pistola directamente utilizando conectores roscados (fig. C1 - fig. C2).
- Conecte la manguera de alta presión a la conexión de salida de agua y a la pistola utilizando dos juegos de acopladores rápidos para facilitar la instalación/extracción (fig. D1 - fig. D2).

NOTA: Los juegos de acopladores rápidos han sido instalados en la conexión de salida de agua, manguera de alta presión, pistola en la fábrica.

CONEXIÓN DE LA LANZA Y LA VARILLA (Fig. E1 - Fig. E2)

Para desconectar, desenrosque la varilla de la lanza y tire de ella; afloje el pomo de la lanza y tire hacia atrás del anillo exterior del acoplador rápido de la pistola para extraer la lanza.

⚠ ADVERTENCIA: Sujete siempre la pistola con una mano y la lanza con la otra al desconectar la lanza de la pistola. La caída de la lanza puede provocar lesiones personales.

CONEXIÓN DE UNA BOQUILLA (Fig. F1 / Fig. F2)

NOTA: Las boquillas no pueden conectarse a la lanza.

- Elija la boquilla de 15°, la boquilla de 25°, la boquilla de 40° o la boquilla Turbo para instalarlas en la varilla (fig. F1).

F1-1	Boquilla de 15°	F1-2	Boquilla de 25°
F1-3	Boquilla de 40°	F1-4	Boquilla TURBO

- La boquilla de enjuague se conecta directamente a la pistola (fig. F2).

F2-1	Boquilla de enjuague
------	----------------------

⚠ ADVERTENCIA: Sujete siempre la pistola con una mano y la boquilla con la otra cuando desconecte la boquilla de la pistola. Si la boquilla salta, pueden producirse lesiones personales.

Utilice la tabla siguiente para elegir la boquilla adecuada para cada trabajo.

Selección de boquillas	Aplicaciones
Boquilla amarilla de 15°	Limpiar pequeñas superficies de metal, hormigón o madera.
Boquilla verde de 25°	Limpiar superficies más grandes de metal, hormigón o madera.
Boquilla blanca de 40°	Limpiar superficies anchas de metal, hormigón, madera o vinilo.
Boquilla gris de enjuague	Aclarar vehículos. Aclarar el detergente sobre metal, hormigón, madera o vinilo.
Boquilla turbo	Limpiar solo superficies duras. Para evitar daños en la superficie, no utilizar en automóviles ni superficies de madera.

CONEXIÓN DEL CAÑÓN DE ESPUMA (Fig. G)

El cañón de espuma se conecta directamente a la pistola.

Para desconectarlo, tire hacia atrás del anillo exterior del acoplador rápido y, a continuación, extraiga el cañón de espuma.

CONEXIÓN DE LA MANGUERA DE SIFÓN (Fig. H1 - Fig. H2)

Cuando utilice un cubo de agua (no incluido) como fuente de agua, conecte la hidrolimpiadora a la manguera de sifón.

NOTA: Llene previamente el cubo para que cuando se sumerja el filtro no flote en la superficie.

CONEXIÓN A UNA MANGUERA DE JARDÍN (NO INCLUIDA)

Cuando utilice el grifo (no incluido) como fuente de agua, conecte la hidrolimpiadora a una manguera de jardín (no incluida).

ES

FUNCIONAMIENTO

UTILIZACIÓN

Este producto puede utilizarse para los fines indicados a continuación:

- Limpieza de suciedad en automóviles, paredes, suelos, etc.

INSTALAR/QUITAR LA BATERÍA

Utilice únicamente los modelos de baterías y cargadores de EGO indicados en la fig. A2.

Consulte los manuales de las baterías y cargadores correspondientes para obtener más detalles.

Cargue totalmente la batería antes de usarla por primera vez.

NOTA: El uso de una batería no le permitirá alcanzar la velocidad TURBO. Para obtener el mejor rendimiento, recomendamos encarecidamente el uso de dos baterías de 5,0 Ah o más.

1. Levante la tapa del compartimento de las baterías elevando la parte delantera de la tapa.
2. **Para instalarla**, alinee las nervaduras de la batería con las ranuras de montaje, e introduzca la batería presionándola hacia abajo hasta oír un «clic». Instale la otra batería (Fig. I1).
3. **Para sacarla**, pulse el botón de liberación de la batería y saque la batería tirando de ella (fig. I2).

I2-1	Botón de liberación de la batería
------	-----------------------------------

4. Cierre la tapa del compartimento de las baterías.

ARRANQUE/PARADA DE LA HIDROLIMPIADORA (Fig. J)

Para arrancar la hidrolimpiadora

AVISO: No ponga en marcha la hidrolimpiadora sin que el suministro de agua esté conectado y abierto. Esto puede dañar las juntas de alta presión y reducir la vida útil de la bomba.

1. Asegúrese de que la manguera de sifón, la manguera de alta presión, la pistola y la boquilla están conectadas correctamente.

2. Conecte la lanza, la varilla, el cañón de espuma y el filtro según sus necesidades.
3. Elija una de las siguientes vías de suministro de agua:
 - Cuando utilice una manguera de jardín (no incluida), conecte la hidrolimpiadora a la manguera de jardín y, a continuación, abra el grifo de agua.
 - Cuando utilice un cubo de agua, conecte el filtro a la manguera de sifón y, a continuación, sumerja completamente el filtro y la junta del acoplador rápido en el cubo de agua.
4. Instale la(s) batería(s).
5. Pulse el botón de encendido para encender la hidrolimpiadora. La hidrolimpiadora funcionará siempre a alta velocidad después de cada arranque.

NOTA: Cuando la hidrolimpiadora está encendida pero no se realiza ninguna otra acción, se apagará automáticamente después de 5 minutos de espera. Durante los primeros minutos de espera, el indicador de velocidad de la hidrolimpiadora parpadeará tres veces en verde, lo que indica que no está entrando agua en la manguera de sifón.

6. Sujete la pistola con ambas manos, pulse el lado de desbloqueo del botón de desbloqueo y, a continuación, apriete el gatillo hasta que se produzca un flujo de agua constante.

NOTA: Si la lanza está conectada, sujete la pistola con una mano y la lanza con la otra.

7. Inicie el lavado con pulverizador.

NOTA: El agua puede tardar algún tiempo en desplazarse desde la fuente y salir por la boquilla en forma de chorro constante. Para conseguir rápidamente un caudal de agua constante, puede hacer lo siguiente:

- a. Retire la boquilla.
- b. Apriete el gatillo y espere hasta que empiece a salir un chorro de agua constante de la varilla.
- c. Suelte el gatillo y vuelva a instalar la boquilla.

Para detener la hidrolimpiadora

1. Una vez finalizado el lavado, suelte el gatillo y pulse el botón de desbloqueo para bloquear la posición.
2. Pulse el botón de encendido para apagar la hidrolimpiadora.
3. Cierre el grifo de agua o saque la manguera de sifón del cubo de agua.

4. Pulse el botón de desbloqueo de la pistola hasta la posición de desbloqueo y apriete el gatillo para vaciar el agua de las mangueras.

AVISO: La pistola, las mangueras, las varillas, las boquillas o el cañón de espuma no deben desconectarse mientras quede agua en las mangueras.

5. Desconecte y retire la pistola, las mangueras, las varillas, las boquillas o el cañón de espuma.
6. Pulse el botón de encendido para encender la hidrolimpiadora y vaciar el agua de la misma.
7. Pulse de nuevo el botón de encendido para apagar la hidrolimpiadora.
8. Quite la(s) batería(s).

MANDO A DISTANCIA

La pistola puede emparejarse con la hidrolimpiadora para funcionar como mando a distancia.

Emparejamiento de la pistola de presión corta (fig. K)

1. Inserte la(s) batería(s) y encienda la hidrolimpiadora de alta presión.
2. Mantenga pulsado el botón de velocidad de la hidrolimpiadora de alta presión hasta que sus tres luces verdes empiecen a parpadear.

NOTA: El parpadeo durará aproximadamente 20 s, por lo que la pistola solo podrá emparejarse durante este tiempo. También puede pulsar brevemente el botón de velocidad de la hidrolimpiadora para salir del modo de emparejamiento en cualquier momento.

3. Mantenga pulsado el botón de velocidad de la pistola hasta que sus tres luces verdes empiecen a parpadear, lo que significa que se ha iniciado el proceso de emparejamiento.

NOTA: El parpadeo que indica el proceso de emparejamiento durará aproximadamente 10 s. Puede pulsar brevemente el botón de velocidad de la pistola para salir del proceso de emparejamiento en cualquier momento.

4. Los indicadores de velocidad de la hidrolimpiadora y de la pistola mostrarán tres luces verdes juntas durante 3 s para indicar que el emparejamiento se ha realizado correctamente y, a continuación, mostrarán dos luces verdes.
5. Si el emparejamiento ha fallado, los indicadores de velocidad de la hidrolimpiadora y de la pistola parpadearán tres veces en verde y luego se apagarán.

Uso del mando a distancia

Una vez completado el emparejamiento, pulse el botón de velocidad una vez en la pistola; el indicador de energía de 5 LED y el indicador de velocidad se encenderán. Pulse de nuevo el botón de velocidad para cambiar realmente la velocidad.

NOTA:

- El indicador de energía de 5 LED y el indicador de velocidad se apagarán cuando no se vuelva a accionar el botón de velocidad de la pistola en el transcurso de 10 s.
- El indicador de energía de 5 LED indica el nivel de carga de la batería. Cuando hay dos baterías instaladas, indica el nivel de la batería con la carga más alta.
- El indicador de velocidad de la pistola siempre está sincronizado con el indicador de velocidad de la unidad hidrolimpiadora.

SELECCIÓN DE VELOCIDAD

- La velocidad de la hidrolimpiadora puede ajustarse mediante el botón de velocidad de la hidrolimpiadora de la pistola emparejada.
- La velocidad de la hidrolimpiadora puede ajustarse cuando la hidrolimpiadora está encendida o durante la pulverización.
- Cada vez que se pulsa el botón de velocidad, la velocidad cambiará entre nivel alto, nivel TURBO y nivel bajo. El indicador de velocidad muestra una luz verde, dos luces verdes o tres luces verdes para indicar que la hidrolimpiadora funciona a baja velocidad, alta velocidad o TURBO, respectivamente.

NOTA: Cuando solo está insertada una batería, no se puede alcanzar la velocidad TURBO y cada vez que se pulsa el botón de velocidad, la velocidad alternará entre el nivel alto y el nivel bajo.

NOTA: Si la hidrolimpiadora funciona continuamente a velocidad TURBO, el tiempo de funcionamiento por carga puede verse afectado.

LIMPIEZA CON DETERGENTE

⚠ ADVERTENCIA: Utilice únicamente detergentes fabricados específicamente para hidrolimpiadoras. Siga las instrucciones de aplicación, eliminación y seguridad del fabricante del detergente.

1. Gire la botella del cañón de espuma en el sentido antihorario y extráigala (fig. L1).
2. Vierta el detergente en la botella.

AVISO: La temperatura del detergente no debe superar los 60 °C.

3. Vuelva a colocar el cañón de espuma y conéctelo al acoplador rápido de la pistola.
4. Gire el botón de detergente para ajustar la cantidad de detergente añadida al caudal de agua según sus necesidades (fig. L2).

MANTENIMIENTO

⚠ ADVERTENCIA: Para evitar lesiones graves, quite la batería del producto antes de realizar cualquier reparación, limpieza, cambio de accesorios o de retirar acumulaciones de material cortado.

MANTENIMIENTO GENERAL

Evite utilizar disolventes para limpiar las piezas de plástico. La mayoría de los plásticos podrían dañarse si se limpian con algunos de los tipos de disolventes disponibles en el mercado. Utilice un paño limpio para eliminar la suciedad, polvo, aceite, grasa, etc.

⚠ ADVERTENCIA: No permita nunca que las piezas de plástico entren en contacto con líquido de frenos, gasolina, productos derivados del petróleo, aceites penetrantes, etc. Las sustancias químicas podrían dañar, debilitar o destruir el plástico, con el consiguiente riesgo de provocar lesiones graves.

⚠ ADVERTENCIA: Para reducir el riesgo de incendio, lesiones personales y daños en el producto debido a un cortocircuito, nunca sumerja la máquina, la batería o el cargador en líquido, ni permita que penetre líquido en su interior. Los líquidos corrosivos o conductores, como el agua de mar, ciertos productos químicos industriales y la lejía o los productos que contienen lejía, etc., pueden provocar un cortocircuito.

SUSTITUCIÓN DE LA PILA DE BOTÓN (fig. M1&M2)

⚠ ADVERTENCIA: Manténgalos fuera del alcance de los niños. La ingestión puede provocar quemaduras químicas, perforación de tejidos blandos y la muerte. Pueden producirse quemaduras graves en las 2 h siguientes a la ingestión. Busque atención médica inmediatamente.

AVISO: No introduzca nunca la pila directamente en el compartimento (fig. M3). De lo contrario, los dos clips se dañarán, provocando el fallo del mando a distancia de la pistola.

M3-1	Clips
------	-------

NOTA: Vuelva a emparejar la pistola con la hidrolimpiadora después de cambiar la pila de botón, siguiendo las instrucciones del apartado «Emparejamiento de la pistola de presión corta».

LIMPIEZA DE LOS FILTROS

- Desenrosque y retire el pomo de la conexión de entrada de agua y, a continuación, extraiga la malla metálica de la conexión de entrada de agua, enjuague la malla metálica o sustitúyala si es necesario (fig. N1).

N1-1	Malla metálica
------	----------------

- Retire el filtro de la manguera de sifón, desenrosque el filtro y, a continuación, enjuáguelo a fondo (fig. N2).

LIMPIEZA DE LAS BOQUILLAS (Fig. O)

Cuando los orificios de las boquillas estén obstruidos, puede utilizar la aguja de limpieza de boquillas incluida para pasarla por los orificios y eliminar la obstrucción.

TRANSPORTE DE LA HIDROLIMPIADORA (Fig. P)

Pulse el botón de bloqueo del asa y, a continuación, tire del asa telescópica hasta el primer nivel de longitud, hasta que oiga un «clic». Si lo desea, puede pulsar el botón de bloqueo del asa y, a continuación, extraer el asa telescópica hasta el segundo nivel de longitud.

ALMACENAMIENTO DE LA HIDROLIMPIADORA

1. Pare la hidrolimpiadora, libere la presión, vacíe el agua y saque las baterías de la hidrolimpiadora siguiendo las instrucciones del apartado «Para detener la hidrolimpiadora».
2. Guarde las boquillas en la zona de almacenamiento de boquillas de la hidrolimpiadora (fig. Q1).
3. Enrolle la manguera de alta presión y guárdela detrás del asa telescópica (fig. Q2).
4. Guarde la pistola y el conjunto de lanza y varilla en los soportes, o desconecte la pistola y guárdela en los soportes superiores (fig. Q3).
5. Limpie a fondo la hidrolimpiadora antes de guardarla.
6. Almacene la hidrolimpiadora en un lugar seco y bien ventilado, ya sea cerrado o a una altura suficiente que impida que los niños puedan alcanzarla. No la guarde encima ni cerca de fertilizantes, gasolina u otros productos químicos.

Protección del medio ambiente



¡No elimine aparatos eléctricos, baterías usadas ni cargadores de baterías junto con los desperdicios domésticos! Lleve este producto a un punto de reciclaje autorizado y deposítelo por separado según corresponda. Las herramientas eléctricas se deben llevar a un punto de reciclaje con fin de proteger el medio ambiente.

ES

SOLUCIÓN DE PROBLEMAS

ES

PROBLEMA	CAUSA	SOLUCIÓN
La hidrolimpiadora no se enciende.	<ul style="list-style-type: none"> ■ El nivel de carga de la batería es bajo. ■ La batería no está instalada correctamente. 	<ul style="list-style-type: none"> ■ Cargue la batería. ■ Introduzca la batería en el compartimento hasta que encaje.
No se ha podido activar la velocidad TURBO.	<ul style="list-style-type: none"> ■ Solo se utiliza una batería para el funcionamiento de la hidrolimpiadora. 	<ul style="list-style-type: none"> ■ Utilice dos baterías de 5,0 Ah o más.
La bomba de la hidrolimpiadora deja de funcionar y en el indicador de velocidad de la hidrolimpiadora parpadean tres luces verdes.	<ul style="list-style-type: none"> ■ La hidrolimpiadora o la(s) batería(s) están a una temperatura excesiva. ■ La boquilla está obstruida. ■ No entra agua en la manguera de sifón. ■ El nivel de carga de la batería es bajo. ■ Otro(s) error(es) del sistema electrónico. 	<ul style="list-style-type: none"> ■ Espere hasta que la hidrolimpiadora o la(s) batería(s) vuelvan a estar a la temperatura de funcionamiento y, a continuación, ponga en marcha de nuevo la hidrolimpiadora. ■ Utilice la aguja de limpieza de boquillas para pasarla por los orificios. ■ Compruebe y asegúrese de que el agua fluye correctamente en la manguera de sifón. ■ Cargue la batería. ■ Póngase en contacto con el servicio de asistencia técnica de EGO.
El caudal de agua es bajo durante la pulverización.	<ul style="list-style-type: none"> ■ El filtro está parcialmente bloqueado. ■ La malla metálica de la conexión de entrada de agua está parcialmente bloqueada. ■ El filtro y la junta del acoplador rápido de la manguera de sifón no están completamente sumergidos en el agua. ■ La manguera de sifón está plegada. ■ El agua está sucia. ■ La manguera de alta presión está obstruida. 	<ul style="list-style-type: none"> ■ Limpie el filtro. ■ Saque la malla metálica y límpiela. ■ Sumerja completamente en el agua el filtro y la junta del acoplador rápido. ■ Despliegue la manguera de sifón o sustitúyala. ■ Utilice solo agua limpia. ■ Quite la boquilla y, a continuación, comience a rociar agua desde la manguera para eliminar la obstrucción de la manguera.

PROBLEMA	CAUSA	SOLUCIÓN
No sale agua pulverizada.	<ul style="list-style-type: none"> ■ No hay suministro de agua. ■ El filtro está completamente bloqueado. ■ La malla metálica de la conexión de entrada de agua está completamente bloqueada. ■ La boquilla está obstruida. ■ La bomba, las mangueras u otros componentes están congelados. 	<ul style="list-style-type: none"> ■ Compruebe y asegúrese de que la hidrolimpiadora está conectada correctamente al suministro de agua. ■ Limpie el filtro. ■ Saque la malla metálica y límpiela. ■ Utilice la aguja de limpieza de boquillas para pasarla por los orificios. ■ Espere a que se descongelen.
El caudal de agua no es estable.	<ul style="list-style-type: none"> ■ Entra aire en la hidrolimpiadora. ■ Las juntas de la bomba están desgastadas. 	<ul style="list-style-type: none"> ■ Compruebe y asegúrese de que la manguera de sifón está conectada correctamente. ■ Póngase en contacto con el servicio de asistencia técnica de EGO.
La pulverización de agua se inicia o se detiene automáticamente.	<ul style="list-style-type: none"> ■ La manguera de alta presión está dañada. ■ Hay una fuga de agua de la pistola. ■ Las juntas de la bomba y de las mangueras están desgastadas. 	<ul style="list-style-type: none"> ■ Sustitúyala por una nueva manguera de alta presión. ■ Póngase en contacto con el servicio de asistencia técnica de EGO. ■ Póngase en contacto con el servicio de asistencia técnica de EGO.
No se puede controlar la hidrolimpiadora con la pistola.	<ul style="list-style-type: none"> ■ La posición de la pistola está fuera del alcance de la conexión inalámbrica. ■ El nivel de carga de la pila de botón es baja. ■ La pistola no está emparejada correctamente. ■ La pila de botón no está instalada correctamente. 	<ul style="list-style-type: none"> ■ Acerque la pistola a la hidrolimpiadora. ■ Sustitúyala por una pila de botón nueva. ■ Complete el emparejamiento siguiendo las instrucciones de la sección «Emparejamiento de la pistola de presión corta». ■ Instale la pila de botón siguiendo las instrucciones del apartado «SUSTITUCIÓN DE LA PILA DE BOTÓN».

GARANTÍA

POLÍTICA DE GARANTÍA DE EGO

Visite la página web egopowerplus.eu para conocer los términos y condiciones completos de la política de garantía de EGO.

LEIA TODAS AS INSTRUÇÕES!

**LEIA O MANUAL DO UTILIZADOR****PT**

⚠️ AVISO: Para garantir a segurança e bom funcionamento, todas as reparações deverão ser efetuadas por um técnico de reparação qualificado.

SÍMBOLO DE SEGURANÇA

O objetivo dos símbolos de segurança é chamar a atenção para possíveis perigos. Os símbolos de segurança e as explicações apresentadas com eles requerem a sua atenção e compreensão. Os avisos de segurança, só por si não eliminam o perigo. As instruções e avisos dados não são substitutos para medidas de prevenção adequadas a acidentes.

⚠️ AVISO: Certifique-se de que lê e compreende todos os avisos de segurança neste manual do utilizador, incluindo todos os símbolos de alerta de segurança, como **"PERIGO"**, **"AVISO"**, e **"CUIDADO"** antes de usar esta máquina. Não seguir todas as instruções apresentadas abaixo pode resultar em choque elétrico, incêndio e/ou ferimentos graves.

⚠️ AVISO: Risco de incêndio e queimaduras. Não desmonte, não aqueça acima dos 100 °C nem incinere. Mantenha a bateria fora do alcance das crianças e na caixa original até estar pronta a ser usada. Elimine as baterias usadas, de acordo com as normas locais relativas aos resíduos e reciclagem.

INSTRUÇÕES DE SEGURANÇA

Esta página retrata e descreve os símbolos de segurança que podem aparecer neste produto. Leia, compreenda e siga todas as instruções na máquina antes de tentar montar e utilizar.



Alerta de segurança



De modo a reduzir os riscos de ferimentos, o utilizador deve ler o manual do utilizador.



Nunca se pulverize a si, outras pessoas, animais, fontes de alimentação ou a própria unidade.



Este produto encontra-se em conformidade com as diretivas CE aplicáveis.



Não ligue ao abastecimento de água potável.



Avaliação de conformidade na GB



Os produtos elétricos residuais não deverão ser eliminados juntamente com o lixo doméstico comum. Entregue-os num centro de reciclagem autorizado.



Pressão da água



Fluxo de água



Temperatura de funcionamento



Corrente direta

kg

Quilograma

V

Voltagem

MPa

Megapascal

°C Celsius

L/min Litros por minuto

IPX5 Proteção contra jatos de água

⚠ AVISO: Leia e compreenda todas as instruções antes de utilizar a máquina. Não seguir todas as instruções apresentadas abaixo pode resultar em choque elétrico, incêndio e/ou ferimentos graves.

⚠ AVISO: Durante a utilização de máquinas de lavagem de alta pressão, podem ser formados aerossóis. A inalação dos aerossóis pode ser nociva para a saúde.

⚠ AVISO: Um jato de alta pressão pode ser perigoso, se sujeito a má utilização. O jato não pode ser direcionado para as pessoas, equipamentos elétricos ou para o próprio aparelho.

⚠ AVISO: Não use o aparelho no alcance de pessoas, à exceção das que usem roupa de proteção.

⚠ AVISO: Não direcione o jato contra si ou outros de forma a limpar roupas ou calçado.

⚠ AVISO: Risco de explosão. Não pulverize líquidos inflamáveis.

⚠ AVISO: Os aparelhos de lavagem de alta pressão não devem ser usados por crianças ou pessoas sem formação.

⚠ AVISO: Mangueiras de alta pressão, fixações e juntas são importantes para a segurança do aparelho.

⚠ AVISO: A água que tenha vindo de sistemas de prevenção de refluxo não é considerada potável.

⚠ AVISO: Não use a máquina se peças importantes estiverem danificadas, por ex., dispositivos de segurança, mangueiras de alta pressão e pistola de disparo de curta pressão.

⚠ AVISO: Dependendo da aplicação, podem ser usados bocais protegidos para a lavagem a alta pressão, o que reduz drasticamente a emissão de aerossóis hídricos. No entanto, nem todas as aplicações permitem a utilização de tais dispositivos. Se os bocais protegidos não forem aplicáveis para a proteção contra aerossóis, poderá ser necessária uma máscara respiratória de classe FFP 2 ou equivalente, dependendo do ambiente de limpeza.

- Esta máquina não foi criada para ser usada por pessoas (incluindo crianças) com capacidades físicas, sensoriais ou mentais, ou falta de experiência e conhecimentos. As crianças devem ser supervisionadas, para se certificar de que não brincam com o aparelho.
- Saiba como parar o aparelho e sangre rapidamente as pressões. Familiarize-se completamente com os controles.
- Evite ligações sem intenção. Certifique-se de que o interruptor se encontra na posição de desligado antes de ligar à bateria, segurar ou transportar o aparelho. Transportar o aparelho com o seu dedo no interruptor ou fornecer energia ao aparelho que tenha o interruptor na posição de ligado convida a acidentes.
- Tenha sempre em conta o perigo da força de reação e binário repentino no conjunto de pulverização quando utilizar a pistola.
- Não exponha o aparelho ou a bateria a temperaturas excessivas.
- Tenha cuidado com o risco de os terminais do aparelho a bateria ou da própria bateria entrarem em curto-circuito devido a objetos metálicos.
- As pilhas recarregáveis têm de ser retiradas do aparelho antes de serem recarregadas.
- Não misture diferentes tipos de pilhas nem pilhas novas com pilhas usadas.
- As pilhas gastas devem ser retiradas do aparelho e eliminadas de modo seguro.
- Se o aparelho for guardado e não for usado durante um longo período de tempo, retire as pilhas.
- Não use pilhas não recarregáveis em vez de pilhas recarregáveis.
- Não use pilhas modificadas ou danificadas.
- **Utilize apenas com as baterias e carregadores recomendados.**

Guarde estas instruções. Consulte com frequência e use estas instruções para instruir outras pessoas sobre a forma de utilizar esta máquina. Se emprestar a alguém esta máquina, entregue também estas instruções para evitar a uma má utilização do produto e possíveis ferimentos.

PT

CARACTERÍSTICAS TÉCNICAS

Voltagem	56 V
Pressão nominal máxima	135 Bar
Fluxo nominal máximo (com lança de ligação rápida e bastão de aço inoxidável ligado)	6,5 L/min
Fluxo nominal máximo (apenas com a pistola de pressão curta ligada)	9,5 L/min
Pressão máxima limitada para a pistola:	250 bar
Fluxo máximo limitado para a pistola:	30 l/min
Peso (sem a bateria)	16,8 kg
Temperatura de funcionamento recomendada	5 °C - 40 °C
Temperatura de armazenamento recomendada	-20 °C - 70 °C
Nível de potência do som medido L_{WA}	84 dB(A) K=1,8 dB(A)
Nível de pressão do som no ouvido do operador L_{PA}	72 dB(A) K=3 dB(A)
Nível de potência do som garantido L_{WA} (medido de acordo com 2000/14/CE)	86 dB(A)
Vibração a_h	3,6 m/s ² K=0,9 m/s ²

- O valor total declarado da vibração foi medido de acordo com um método de teste padrão e pode ser usado para comparar duas ferramentas.
- O valor total declarado da vibração também pode ser usado numa avaliação preliminar da exposição.

AVISO: A emissão de vibrações durante a utilização da ferramenta elétrica pode diferir do valor declarado em que a ferramenta é usada. De modo a proteger o utilizador, este deverá usar luvas e proteção auditiva nas condições atuais de utilização.

ACESSÓRIOS RECOMENDADOS

⚠ AVISO: Use apenas os acessórios listados abaixo. A utilização de acessórios que não vão ao encontro das especificações do equipamento original pode dar origem a um desempenho inadequado e comprometer a segurança.

NOME DA PEÇA	NÚMERO DO MODELO
Canhão de espuma premium	AFC2000E
Bocal do turbo	ANZ2000E-T
Bocal de 15°	ANZ2015E
Bocal de 25°	ANZ2025E
Bocal de 40°	ANZ2040E
Bocal de enxaguamento	ANZ2000E-R

LISTA DE PEÇAS (IMAGEM A1)

DESCRIÇÃO

CONHEÇA A SUA MÁQUINA DE LAVAGEM DE PRESSÃO (Imagem A1)

1. Pega telescópica
2. Botão de bloqueio da pega
3. Suporte superior
4. Roda (x2)
5. Suporte inferior
6. Porta de entrada da água
7. Porta de saída da água
8. Botão da velocidade
9. Indicador da velocidade
10. Botão da alimentação
11. Compartmento da bateria
12. Armazenamento dos bocais
13. Cobertura do compartimento da bateria
14. Contactos elétricos
15. Mecanismo de ejeção
16. Botão de libertação da bateria
17. Alça do suporte da mangueira
18. Bastão de aço inoxidável
19. Lança de ligação rápida
20. Mangueira de alta pressão
21. Mangueira do sifão
22. Conjunto do acoplador rápido (x2)
23. Canhão de espuma
24. Filtro
25. Agulha de limpeza do bocal
26. Bocal de enxaguamento
27. Bocal de 40°

28. Bocal de 25°
29. Bocal de 15°
30. Bocal do turbo
31. Pistola de pressão curta
32. Tapa do compartimento da bateria
33. Manômetro do combustível com 5 LEDs
34. Indicador da velocidade
35. Botão da velocidade
36. Pega da pistola
37. Gatilho
38. Botão de desbloqueio

MONTAGEM

INSTALAR O CONJUNTO DO SUPORTE (Imagem B)

B-1	Suporte superior	B-2	Suporte inferior
B-3	Parafusos		

LIGAR A MANGUEIRA DE ALTA PRESSÃO (Imagem C - Imagem D)

Pode ligar a mangueira de alta pressão através de uma das seguintes formas:

- Ligue a mangueira de alta pressão na porta de saída da água e a pistola diretamente usando conectores roscados (Imagem C1 - Imagem C2).
- Ligue a mangueira de alta pressão na porta de saída da água e a pistola com dois conjuntos de acopladores rápidos para uma instalação/remoção fácil (Imagem D1 - Imagem D2).

NOTA: Os conjuntos de acopladores rápidos vêm instalados de fábrica na porta de saída da água, mangueira de alta pressão e pistola.

LIGAR A LANÇA E BASTÃO (Imagem E1 - Imagem E2)

Para desligar, desenrosque o bastão da lança e retire-o. Desaperte o manípulo na lança e retire o anel exterior do acoplador rápido da pistola para retirar a lança.

AVISO: Segure sempre a pistola com uma mão e a lança com a outra mão quando retirar a lança da pistola. Podem ocorrer ferimentos se a lança cair.

LIGAR UM BOCAL (Imagem F1 / Imagem F2)

NOTA: Os bocais não podem ser ligados à lança.

- Selecione o bocal de 15°, de 25°, de 40° ou o bocal do turbo para instalar no bastão (Imagem F1).

F1-1	Bocal de 15°	F1-2	Bocal de 25°
F1-3	Bocal de 40°	F1-4	Bocal do turbo

- O bocal de enxaguamento é ligado diretamente na lança (Imagem F2).

F2-1	Bocal de enxaguamento
------	-----------------------

AVISO: Segure sempre a pistola com uma mão e o bocal com a outra mão quando retirar o bocal da pistola. Podem ocorrer ferimentos se o bocal sair.

Use a tabela apresentada abaixo para selecionar o bocal correto para o trabalho.

Seleção do bocal	Aplicações
Bocal de 15° amarelo	Limpeza de pequenas superfícies de metal, betão ou madeira.
Bocal de 25° verde	Limpeza de grandes superfícies de metal, betão ou madeira.
Bocal de 40° branco	Limpeza de vastas superfícies de metal, betão, madeira ou vinil.
Bocal de enxaguamento cinzento	Lavagem de veículos. Lavagem do detergente do metal, betão, madeira ou vinil.
Bocal do turbo	Apenas limpeza de superfícies duras. Para evitar danos na superfície, não use em carros nem em superfícies de madeira.

LIGAR O CANHÃO DE ESPUMA (Imagem G)

O canhão de espuma é ligado diretamente na pistola.

Para desligar, puxe o anel exterior para fora do acoplador rápido e depois puxe o canhão de espuma.

LIGAR A MANGUEIRA DO SIFÃO (Imagem H1 - H2)

Quando usar um balde de água (não fornecido) como fonte de água, ligue a máquina de lavagem de pressão à mangueira do sifão.

NOTA: Encha o balde de modo a que o filtro imerso na água fique a boiar na superfície.

LIGAR A UMA MANGUEIRA DE JARDIM (NÃO FORNECIDA)

Quando usar uma torneira de água (não fornecida) como fonte de água, ligue a máquina de lavagem de pressão à mangueira de jardim (não fornecida).

FUNCIONAMENTO

APLICAÇÃO

Pode utilizar este produto com os intuitos listados abaixo:

- Lavagem de automóveis, paredes, pisos, etc.

PT

FIXAR/RETIRAR A BATERIA

Utilize apenas com as baterias e carregadores da EGO listados na Imagem A2.

Consulte os manuais da bateria e do carregador para obter mais detalhes.

Carregue por completo antes da primeira utilização.

NOTA: Usar uma bateria não lhe permite obter a velocidade **TURBO**. Para melhores desempenhos, recomendamos fortemente a utilização de duas baterias de 5.0Ah ou mais Ah.

1. Levante a frente da tampa do compartimento da bateria.
2. **Para fixar**, alinhe as abas da bateria com as ranhuras de fixação e empurre a bateria para baixo até ouvir um “clique”. Fixe a outra bateria (Imagem I1).
3. **Para libertar**, prima o botão de libertação da bateria e puxe a bateria para fora (Imagem I2).

I2-1	Botão de libertação da bateria
------	--------------------------------

4. Feche a tampa do compartimento da bateria.

LIGAR/DESLIGAR A MÁQUINA DE LAVAGEM DE PRESSÃO (Imagem J)

Para ligar a máquina de lavagem de pressão

AVISO: Não ligue a máquina de lavagem de pressão sem o abastecimento de água ligado. Isso pode danificar os vedantes de alta pressão e diminuir o tempo de vida da bomba.

1. Certifique-se de que a mangueira do sifão, mangueira de alta pressão, pistola e bocal estão ligados corretamente.
2. Ligue a lança, bastão, canhão de espuma e filtro de acordo com as suas necessidades.
3. Selecione um dos abastecimentos de água apresentados abaixo:
 - Quando usar uma mangueira de jardim (não fornecida), ligue a máquina de lavagem de pressão na mangueira de jardim e depois abra a torneira de água.

- Quando usar um balde de água, ligue o filtro na mangueira do sifão e coloque o filtro dentro de água e a junta do acoplador rápido completamente dentro do balde de água.
4. Instale a bateria.
 5. Prima o botão de ligar para ligar a máquina de lavagem de pressão. A máquina funciona sempre a alta velocidade após cada ligação.

NOTA: Quando a máquina de lavagem de pressão for ligada, mas não efetuar mais nenhuma ação, a máquina desliga-se automaticamente passados 5 minutos de inatividade. Durante os primeiros minutos de inatividade, o indicador da velocidade na máquina de lavagem de pressão pisca três luzes verdes, o que indica que não há água a entrar na mangueira do sifão.

6. Segure a pistola com ambas as mãos, prima o lado desbloqueado do botão de desbloquear e pressione o gatilho até produzir um fluxo de água estável.

NOTA: Se a lança estiver ligada, segure a pistola com uma mão e a lança com a outra mão.

7. Comece a lavar com pressão.

NOTA: Pode levar algum tempo até a água ir da fonte até ao bocal e criar uma pulverização estável. Para obter rapidamente um fluxo de água estável, poderá querer:

- a. Retirar o bocal.
- b. Pressionar o gatilho e esperar que um jato estável de água comece a sair do bastão.
- c. Libertar o gatilho e voltar a instalar o bocal.

Para desligar a máquina de lavagem de pressão

1. Quando terminar a lavagem, liberte o gatilho e prima o botão de desbloqueio para a posição de bloqueado.
 2. Prima o botão da alimentação para desligar a máquina de lavagem de pressão.
 3. Feche a torneira de água ou retire a mangueira do sifão do balde de água.
 4. Prima o botão de desbloqueio da pistola para a posição de desbloqueio e pressione o gatilho para retirar a água das mangueiras.
- AVISO:** A pistola, mangueiras, bastões, bocais ou canhão de espuma não podem ser retirados enquanto houver água nas mangueiras.
5. Desligue e retire a pistola, mangueiras, bastões, bocais ou canhão de espuma.
 6. Prima o botão da alimentação para ligar a máquina de lavagem de pressão para retirar a água que se encontre no interior.
 7. Prima de novo o botão da alimentação para desligar

- a máquina de lavagem de pressão.
8. Retire as baterias.

TELECOMANDO

A pistola pode ser emparelhada à máquina de lavagem de pressão para funcionar como telecomando.

Emparelhamento da pistola de pressão curta (Imagem K)

1. Insira as baterias e ligue a máquina de lavagem de alta pressão.
2. Mantenha premido o botão da velocidade na máquina de lavagem de alta pressão até que três luzes verdes comecem a piscar.

NOTA: Elas permanecem a piscar durante cerca de 20 segundos. A pistola pode ser emparelhada apenas durante este tempo. Também pode premir o botão da velocidade na máquina de lavagem para sair do modo de emparelhamento a qualquer altura.

3. Mantenha premido o botão da velocidade da pistola até que as três luzes verdes comecem a piscar, o que significa que o processo de emparelhamento foi iniciado.

NOTA: O piscar a indicar o processo de emparelhamento dura cerca de 10 segundos. Também pode premir o botão da velocidade na pistola para sair do processo de emparelhamento a qualquer altura.

4. Os indicadores da velocidade na máquina de lavagem e na pistola apresentam três luzes verdes durante 3 segundos para indicar que o emparelhamento foi efetuado com sucesso. Depois, apresentam duas luzes verdes.
5. Se o emparelhamento falhar, os indicadores da velocidade na máquina de lavagem e na pistola piscam três luzes verdes e depois desligam-se.

Utilizar o telecomando

Após terminar o emparelhamento, prima uma vez o botão da velocidade na pistola e o manómetro do combustível com 5 LEDs e indicador da velocidade acendem. Prima de novo o botão da velocidade para alterar a velocidade.

NOTA:

- O manómetro do combustível com 5 LEDs e o indicador da velocidade desligam-se quando não houver mais ações no botão da velocidade da pistola no espaço de 10 segundos.

- O manómetro do combustível com 5 LEDs indica o nível de carga da bateria. Quando tiver duas baterias instaladas, este indica o nível da bateria com mais carga.
- O indicador da velocidade na pistola está sempre sincronizado com o indicador da velocidade na máquina de lavagem de pressão.

SELEÇÃO DA VELOCIDADE

- A velocidade da máquina de lavagem de pressão pode ser ajustada através do botão da velocidade na máquina de lavagem de pressão ou na pistola emparelhada.
- A velocidade da máquina de lavagem de pressão pode ser ajustada quando a máquina for ligada ou durante a pulverização.
- Sempre que premir o botão da velocidade, a velocidade alterna entre o nível elevado, o nível TURBO e o nível baixo. O indicador da velocidade apresenta uma luz verde, duas luzes verdes ou três luzes verdes para indicar que a máquina de lavagem de pressão está a funcionar a baixa velocidade, alta velocidade ou TURBO, respetivamente.

NOTA: Quando tiver apenas uma bateria inserida, a velocidade TURBO não pode ser atingida, e sempre que o botão da velocidade for pressionado, a velocidade alterna entre nível elevado e nível baixo.

NOTA: Se a máquina de lavagem de pressão continuar a funcionar à velocidade TURBO, o tempo de funcionamento por carga pode ser afetado.

LAVAGEM COM DETERGENTE

AVISO: Use apenas detergentes criados especificamente para serem usados com máquinas de lavagem de pressão. Siga as instruções de utilização, eliminação e segurança indicadas pelo fabricante do detergente.

1. Rode a garrafa do canhão de espuma no sentido inverso ao dos ponteiros do relógio e retire-a (Imagem L1).
2. Verta detergente para a garrafa.

AVISO: A temperatura do detergente não pode exceder os 60 °C.

3. Volte a colocar o canhão de espuma e ligue-o ao acoplador rápido da pistola.
4. Rode o manípulo do detergente para ajustar a quantidade de detergente adicionada ao fluxo de água de acordo com as suas necessidades (Imagem L2).

MANUTENÇÃO

⚠️ AVISO: Para evitar ferimentos sérios, retire a bateria do produto antes da reparação, limpeza, mudança de acessórios ou remoção de material da unidade.

PT

MANUTENÇÃO GERAL

Evite usar solventes quando limpar peças de plástico. Grande parte dos plásticos é suscetível a danos devido a vários tipos de solventes comerciais. Utilize panos limpos para retirar a sujidade, pó, óleo, gordura, etc.

⚠️ AVISO: Nunca permita que o líquido dos travões, gasolina, produtos à base de petróleo, óleos penetrantes, etc., entrem em contacto com as peças de plástico. Os químicos podem danificar, enfraquecer ou destruir o plástico o que pode dar origem a ferimentos sérios.

⚠️ AVISO: Para reduzir o risco de fogo, ferimentos e danos no produto devido a um curto-circuito, nunca coloque a máquina, bateria ou carregador dentro de líquidos, nem permita que um líquido entre no produto. Líquidos corrosivos ou condutores, como água do mar, alguns químicos industriais e lixívia ou produtos com lixívia podem causar um curto-circuito.

SUBSTITUIÇÃO DA PILHA DO TIPO BOTÃO (Imagem M1&M2)

⚠️ AVISO: Mantenha fora do alcance das crianças. Engolir a pilha pode dar origem a queimaduras químicas, perfuração do tecido suave e morte. Podem ocorrer queimaduras sérias no espaço de 2 horas após a ingestão. Consulte imediatamente um médico.

AVISO: Nunca pressione a pilha diretamente para o compartimento (Imagem M3). Caso contrário, os dois cliques podem ficar danificados, causando uma falha do telecomando da pistola.

M3-1	Cliques
------	---------

NOTA: Repare a pistola com a máquina de lavagem de pressão após substituir a pilha do tipo botão, seguindo as instruções na secção “Emparelhamento da pistola de pressão curta”.

LIMPEZA DOS FILTROS

- Desenrosque e retire o manípulo da porta de entrada da água e retire a rede de metal da porta de entrada da água. Passe a rede de metal por água ou substitua-a, se necessário (Imagem N1).

N1-1	Rede de metal
------	---------------

- Retire o filtro da mangueira do sifão, desenrosque o filtro e passe bem por água (Imagem N2).

LIMPEZA DOS BOCAIS (Imagem O)

Quando os orifícios dos bocais estiverem bloqueados, pode usar a agulha de limpeza do bocal fornecida para passar pelos orifícios e eliminar o bloqueio.

TRANSPORTAR A MÁQUINA DE LAVAGEM DE PRESSÃO (Imagem P)

Prima o botão de bloqueio da pega e puxe a pega telescópica para fora até ao primeiro nível, até ouvir um clique. Se desejar, pode premir o botão de bloqueio da pega e puxar a pega telescópica para fora até ao segundo nível.

ARMAZENAR A MÁQUINA DE LAVAGEM DE PRESSÃO

- Desligue a máquina de lavagem de pressão, liberte a pressão, esvazie a água e retire a bateria da máquina de lavagem de pressão seguindo as instruções na secção “Para desligar a máquina de lavagem de pressão”.
- Guarde os bocais na área de armazenamento dos bocais da máquina de lavagem de pressão (Imagem Q1).
- Enrole a mangueira de alta pressão e guarde-a atrás da pega telescópica (Imagem Q2).
- Guarde a pistola e o conjunto da lança e bastão nos suportes, ou desligue a pistola e guarde-a nos suportes superiores (Imagem Q3).
- Limpe bem a máquina de lavagem de pressão antes de a guardar.
- Guarde a máquina de lavagem de pressão num local seco, bem ventilado, trancado ou elevado, fora do alcance das crianças. Não guarde a máquina de lavagem de pressão em cima ou perto de fertilizantes, gasolina ou outros químicos.

Proteja o ambiente



Não elimine equipamento elétrico, bateria gasta nem carregador juntamente com o lixo doméstico comum! Leve este produto a um centro de reciclagem autorizado para que possa haver uma separação das peças. As ferramentas elétricas têm de ser devolvidas em instalações de reciclagem ambientalmente compatíveis.

RESOLUÇÃO DE PROBLEMAS

PROBLEMA	CAUSA	SOLUÇÃO
A máquina de lavagem de pressão não liga.	<ul style="list-style-type: none"> ■ A carga da bateria está baixa. ■ A bateria não foi instalada corretamente. 	<ul style="list-style-type: none"> ■ Carregue a bateria. ■ Faça deslizar a bateria para o compartimento da bateria até encaixar na respetiva posição.
A velocidade TURBO não pode ser ativada.	<ul style="list-style-type: none"> ■ Está a usar apenas uma bateria com a máquina. 	<ul style="list-style-type: none"> ■ Use duas baterias de 5.0Ah ou mais.
A bomba da máquina de lavagem de pressão pára de funcionar e o indicador da velocidade na máquina pisca três luzes verdes.	<ul style="list-style-type: none"> ■ A máquina de lavagem de pressão ou as baterias estão sobreaquecidas. ■ O bocal está bloqueado. ■ Não flui água pela mangueira do sifão. ■ A carga da bateria está baixa. ■ Outros problemas elétricos. 	<ul style="list-style-type: none"> ■ Espere que a máquina de lavagem de pressão ou as baterias voltem à temperatura de funcionamento e reinicie a máquina. ■ Use a agulha de limpeza do bocal para passar pelos orifícios. ■ Verifique e certifique-se de que passa água corretamente pela mangueira do sifão. ■ Carregue a bateria. ■ Contacte o serviço de apoio ao cliente da EGO.
O fluxo de água é muito fraco durante a pulverização.	<ul style="list-style-type: none"> ■ O filtro está parcialmente bloqueado. ■ A rede de metal na porta de entrada da água está parcialmente bloqueada. ■ O filtro e a junta do acoplador rápido da mangueira do sifão não estão completamente dentro de água. ■ A mangueira do sifão está dobrada. ■ A água está suja. ■ A mangueira de alta pressão está bloqueada. 	<ul style="list-style-type: none"> ■ Limpe o filtro. ■ Retire e limpe a rede de metal. ■ Coloque o filtro e a junta do acoplador rápido completamente dentro de água. ■ Desdobre ou substitua a mangueira do sifão. ■ Use apenas água limpa. ■ Retire o bocal e inicie a pulverização de água a partir da mangueira para eliminar o bloqueio da mangueira.

PT

PROBLEMA	CAUSA	SOLUÇÃO
Não há qualquer pulverização de água.	<ul style="list-style-type: none"> ■ Não há um abastecimento de água. ■ O filtro está completamente bloqueado. ■ A rede de metal na porta de entrada da água está completamente bloqueada. ■ O bocal está bloqueado. ■ A bomba, mangueira e outros componentes estão congelados. 	<ul style="list-style-type: none"> ■ Verifique e certifique-se de que a máquina de lavagem de pressão está ligada corretamente ao abastecimento de água. ■ Limpe o filtro. ■ Retire e limpe a rede de metal. ■ Use a agulha de limpeza do bocal para passar pelos orifícios. ■ Espere até que descongelem.
O fluxo de água não está estável.	<ul style="list-style-type: none"> ■ Flui ar para dentro da máquina de lavagem de pressão. ■ Os vedantes da bomba estão gastos. 	<ul style="list-style-type: none"> ■ Verifique e certifique-se de que a mangueira do sifão está ligada corretamente. ■ Contacte o serviço de apoio ao cliente da EGO.
A pulverização de água começa ou pára automaticamente.	<ul style="list-style-type: none"> ■ A mangueira de alta pressão está danificada. ■ Há fugas de água da pistola. ■ Os vedantes da bomba ou vedantes da mangueira estão gastos. 	<ul style="list-style-type: none"> ■ Substitua por uma mangueira nova. ■ Contacte o serviço de apoio ao cliente da EGO. ■ Contacte o serviço de apoio ao cliente da EGO.
A pistola não controla a máquina de lavagem de pressão.	<ul style="list-style-type: none"> ■ A posição da pistola está para além do alcance de ligação sem fios. ■ A pilha do tipo botão está gasta. ■ A pistola não foi emparelhada corretamente. ■ A pilha do tipo botão não foi instalada corretamente. 	<ul style="list-style-type: none"> ■ Aproxime a pistola da máquina de lavagem de pressão. ■ Substitua por uma nova pilha do tipo botão. ■ Complete o emparelhamento seguindo as instruções na secção "Emparelhamento da pistola de pressão curta". ■ Instale a pilha do tipo botão seguindo as instruções na secção "Substituição da pilha do tipo botão".

GARANTIA

POLÍTICA DE GARANTIA EGO

Visite o website egopowerplus.eu para os termos e condições completos da política de garantia da EGO.

LEGGERE TUTTE LE ISTRUZIONI!



LEGGERE IL MANUALE DI ISTRUZIONI

AVVERTENZA! Per garantire sicurezza e affidabilità, tutte le operazioni di riparazione e sostituzione devono essere effettuate da un tecnico qualificato.

IT

SIMBOLI DI SICUREZZA

Lo scopo dei simboli di sicurezza è attirare l'attenzione dell'operatore su possibili pericoli. I simboli di sicurezza e le relative spiegazioni richiedono la massima attenzione e comprensione da parte dell'operatore. Le avvertenze espresse dai simboli, da sole, non eliminano tutti i rischi. Le istruzioni e le avvertenze non sostituiscono le adeguate misure di prevenzione contro gli incidenti.

AVVERTENZA! Accertarsi di aver letto attentamente tutte le istruzioni di sicurezza nel presente manuale, inclusi tutti i simboli degli avvisi di sicurezza come "**PERICOLO**", "**AVVERTENZA**" e "**ATTENZIONE**" prima di usare l'apparecchio. Il mancato rispetto di tutte le istruzioni elencate di seguito comporta il rischio di scossa elettrica, incendio e/o lesioni gravi.

AVVERTENZA! Rischio di incendio e ustioni. Non disassemblare, scaldare a temperature superiori a 100 °C o bruciare. Conservare la batteria fuori dalla portata dei bambini e nella confezione originale finché non è pronta all'uso. Smaltire immediatamente le batterie usate conformemente alle normative locali relative a riciclaggio e smaltimento.

AVVERTENZE DI SICUREZZA

Questa pagina illustra e descrive i simboli di sicurezza che possono essere presenti sull'apparecchio. Leggere, comprendere e seguire tutte le istruzioni sull'apparecchio prima di tentare di assemblarlo e ripararlo.



Avvertenza di sicurezza



Per ridurre il rischio di infortuni, leggere il manuale di istruzioni.



Non spruzzare mai verso la propria persona, gli altri, animali, fonti di alimentazione o l'unità stessa.



Questo apparecchio è conforme alle direttive europee applicabili.



Non collegarlo alla rete di acqua potabile.



Conforme ai requisiti del Regno Unito



I prodotti elettrici non devono essere smaltiti insieme ai rifiuti domestici. Portarli presso un centro di riciclaggio autorizzato.



Pressione dell'acqua



Portata



Temperatura di esercizio



Corrente continua

kg

Chilogrammo

V

Tensione

MPa

Megapascal

°C Grado Celsius

L/min Litri al minuto

IPX5 Protezione dai getti d'acqua

IT

⚠ AVVERTENZA! Leggere e comprendere tutte le istruzioni prima di utilizzare l'apparecchio. Il mancato rispetto di tutte le istruzioni elencate di seguito comporta il rischio di scossa elettrica, incendio e/o lesioni gravi.

⚠ AVVERTENZA! Durante l'uso di idropultrici ad alta pressione si possono formare aerosol. L'inalazione di aerosol può essere pericolosa per la salute.

⚠ AVVERTENZA! I getti ad alta pressione possono essere pericolosi se usati impropriamente. Il getto non deve essere diretto verso persone, apparecchiature elettriche sotto tensione o l'apparecchio stesso.

⚠ AVVERTENZA! Non utilizzare l'apparecchio in prossimità di persone a meno che non indossino indumenti protettivi.

⚠ AVVERTENZA! Non dirigere il getto contro sé stessi o gli altri per pulire vestiti o calzature.

⚠ AVVERTENZA! Rischio di esplosione: non spruzzare liquidi infiammabili.

⚠ AVVERTENZA! Le idropultrici ad alta pressione non devono essere utilizzate da bambini o da personale non addestrato.

⚠ AVVERTENZA! I tubi flessibili, i raccordi e gli innesti ad alta pressione sono importanti per la sicurezza dell'apparecchio.

⚠ AVVERTENZA! L'acqua che è fluita attraverso i dispositivi di prevenzione del riflusso è considerata non potabile.

⚠ AVVERTENZA! Non utilizzare l'apparecchio se dei suoi componenti importanti sono danneggiati, come ad esempio dispositivi di sicurezza, tubi ad alta pressione, pistola corta a pressione.

⚠ AVVERTENZA! A seconda dell'applicazione, è possibile utilizzare ugelli schermati per la pulizia ad alta pressione, che ridurranno drasticamente l'emissione di aerosol idrici. Tuttavia, non tutte le applicazioni consentono l'uso di tale dispositivo. Se gli ugelli schermati non sono applicabili per la protezione dagli aerosol, può essere necessaria una maschera respiratoria di classe FFP 2 o equivalente, a seconda dell'ambiente di pulizia.

- Questo apparecchio non deve essere usato da bambini e persone con ridotte capacità fisiche, sensoriali o mentali o prive di esperienza o conoscenza. Supervisionare i bambini per assicurarsi che non giochino con l'apparecchio.
- Come fermare il prodotto ed aumentare rapidamente la pressione. Familiarizzare bene con i comandi.
- Prevenire l'avvio accidentale. Assicurarsi che l'interruttore sia in posizione di spegnimento prima di sollevare, trasportare o collegare l'utensile alla presa di corrente e/o alla batteria. Per ridurre il rischio di incidenti, non trasportare l'apparecchio tenendo le dita sull'interruttore e non collegarlo alla presa di corrente se l'interruttore è in posizione di accensione.
- Prestare sempre attenzione al pericolo della forza di reazione e della coppia improvvisa sul gruppo di irrorazione quando si utilizza la pistola.
- Non esporre l'apparecchio o la batteria a temperature eccessive.
- Prestare attenzione al rischio che i terminali dell'apparecchio a batteria o della batteria vengano cortocircuitati da oggetti metallici.
- Rimuovere le batterie ricaricabili dall'apparecchio prima di ricaricarle.
- Non si devono mescolare diversi tipi di batterie o batterie nuove e usate.
- Rimuovere le batterie scariche dall'apparecchio e smaltirle in modo sicuro.
- In previsione di un lungo periodo di inutilizzo dell'apparecchio, rimuovere le batterie.
- Non utilizzare batterie non ricaricabili al posto delle batterie ricaricabili.
- Non utilizzare batterie modificate o danneggiate.
- **Utilizzare solo con le batterie e i caricabatterie specificati.**

Conservare queste istruzioni. Consultarle frequentemente e usarle per istruire coloro che possono usare l'apparecchio. Se si presta l'apparecchio ad altre persone, allegare anche queste istruzioni per evitare l'uso errato dell'apparecchio e il rischio di infortuni.

SPECIFICHE TECNICHE

Tensione	56 V
Pressione nominale massima	135 bar
Portata nominale massima (con lancia a connessione rapida e bacchetta in acciaio inossidabile collegata)	6,5 L/min
Flusso nominale massimo (con solo pistola a pressione corta collegata)	9,5 L/min
Pressione massima limitata della pistola	250 bar
Portata massima limitata della pistola	30 L/min
Peso (senza gruppo batteria)	16,8 kg
Temperatura di funzionamento raccomandata	Da 5°C a 40°C
Temperatura di conservazione raccomandata	Da - 20°C a 70°C
Livello di potenza sonora misurato L_{WA}	84 dB (A) K = 1,8 dB (A)
Livello di pressione sonora a livello dell'orecchio dell'operatore L_{PA}	72 dB (A) K = 3 dB (A)
Livello di potenza sonora garantito L_{WA} (misurato conformemente a 2000/14/EC)	86 dB (A)
Vibrazioni a_{th}	3,6 m/s ² K=0,9 m/s ²

- Il valore totale di emissione delle vibrazioni dichiarato è stato misurato con un metodo di valutazione standard e può essere utilizzato per confrontare l'apparecchio con altri prodotti analoghi.
- Il valore totale di emissione delle vibrazioni dichiarato può essere utilizzato anche per una valutazione preliminare dei livelli di esposizione.

NOTA: Il valore di emissione delle vibrazioni durante l'uso effettivo dell'apparecchio può variare rispetto al valore totale dichiarato in base alla modalità di utilizzo dell'apparecchio. Per proteggersi, l'operatore deve indossare guanti e dispositivi di protezione per le orecchie in base alle condizioni di utilizzo effettive.

ACCESSORI RACCOMANDATI

⚠ AVVERTENZA! Utilizzare solo gli accessori elencati di seguito. L'uso di accessori che non soddisfano le specifiche dell'apparecchiatura originale può comportare prestazioni inadeguate e compromettere la sicurezza.

NOME PARTE	NUMERO MODELLO
Schiumogeno Premium	AFC2000E
Ugello turbo	ANZ2000E-T
Ugello 15°	ANZ2015E
Ugello 25°	ANZ2025E
Ugello 40°	ANZ2040E
Ugello di risciacquo	ANZ2000E-R

IT

CONTENUTO DELL'IMBALLAGGIO (FIG. A1)

DESCRIZIONE

COMPONENTI DELL'IDROPULITRICE (Fig. A1)

1. Impugnatura telescopica
2. Pulsante di bloccaggio dell'impugnatura
3. Staffa di supporto superiore
4. Ruota (x2)
5. Staffa di supporto inferiore
6. Porta di ingresso dell'acqua
7. Porta di uscita dell'acqua
8. Pulsante della velocità
9. Indicatore della velocità
10. Pulsante di accensione
11. Scomparto per batterie
12. Stoccaggio degli ugelli
13. Coperchio del vano batteria
14. Contatti elettrici
15. Meccanismo di espulsione
16. Pulsante di rilascio della batteria
17. Cinghia porta tubo
18. Bacchetta in acciaio inossidabile
19. Lancia a connessione rapida
20. Tubo ad alta pressione
21. Tubo a sifone
22. Set attacco rapido (2)
23. Spruzzatore di schiuma
24. Filtro
25. Ago per la pulizia degli ugelli
26. Ugello di risciacquo
27. Ugello 40°
28. Ugello 25°
29. Ugello 15°
30. Ugello TURBO

31. Pistola corta a pressione
32. Coperchio della batteria
33. Indicatore livello autonomia a 5 LED
34. Indicatore della velocità
35. Pulsante della velocità
36. Impugnatura della pistola
37. Leva
38. Pulsante di sbloccaggio

IT

ASSEMBLAGGIO

INSTALLAZIONE DEL GRUPPO STAFFA DI SUPPORTO (Fig. B)

B-1	Staffa di supporto superiore	B-2	Staffa di supporto inferiore
B-3	Viti		

COLLEGAMENTO DEL TUBO AD ALTA PRESSIONE (Fig. C — Fig. D)

È possibile collegare il tubo ad alta pressione in uno dei seguenti modi:

- Collegare il tubo ad alta pressione alla porta di uscita dell'acqua e alla pistola utilizzando direttamente connettori filettati (Fig. C1 – Fig. C2);
- Collegare il tubo ad alta pressione alla porta di uscita dell'acqua e alla pistola utilizzando due set di attacchi rapidi per facilitare l'installazione/rimozione (Fig. D1 – Fig. D2).

NOTA: I set di attacchi rapidi sono stati installati in fabbrica sulla presa di uscita dell'acqua, sul tubo ad alta pressione e sulla pistola.

COLLEGAMENTO DELLA LANCIA E DELLA BACCHETTA (Fig. E1 — Fig. E2)

Per **disconnetterla**, avvitare la bacchetta dalla lancia e poi estrarla; allentare la manopola sulla lancia e poi tirare indietro l'anello esterno dell'attacco rapido della pistola per estrarre la lancia.

AVVERTENZA! Quando si scollega la lancia dalla pistola, tenere sempre la pistola con una mano e la lancia con l'altra. In caso di caduta della lancia possono verificarsi lesioni personali.

COLLEGAMENTO DI UN UGELLO (Fig. F1 / Fig. F2)

NOTA: Gli ugelli non possono essere collegati alla lancia.

- Scegliere l'ugello da 15°, l'ugello da 25°, l'ugello da 40° o l'ugello Turbo da installare sulla bacchetta (Fig. F1).

F1-1	Ugello 15°	F1-2	Ugello 25°
F1-3	Ugello 40°	F1-4	Ugello TURBO

- L'ugello di risciacquo è collegato direttamente alla pistola (Fig. F2).

F2-1	Ugello di risciacquo
------	----------------------

AVVERTENZA! Quando si scollega l'ugello dalla pistola, tenere sempre la pistola con una mano e l'ugello con l'altra. Se l'ugello fuoriesce, possono verificarsi lesioni personali.

Usare la tabella seguente per scegliere l'ugello giusto per il lavoro da svolgere.

Selezione degli ugelli	Applicazione
Ugello giallo 15°	Per pulire piccole superfici in metallo, cemento o legno.
Ugello verde a 25°	Per pulire superfici più grandi in metallo, cemento o legno.
Ugello bianco a 40°	Per pulire ampie superfici in metallo, cemento, legno o vinile.
Ugello di risciacquo grigio	Per risciacquare i veicoli. Risciacquare il detergente da metallo, cemento, legno o vinile.
Ugello turbo	Per pulire solo le superfici dure. Per evitare danni alla superficie, non utilizzare su auto e superfici in legno.

COLLEGAMENTO DEL CANNONE A SCHIUMA (Fig. G)

Il cannone a schiuma è collegato direttamente alla pistola.

Per **disconnetterti**, tirare indietro l'anello esterno dell'attacco rapido, quindi estrarre il cannone a schiuma.

COLLEGAMENTO DEL TUBO DEL SIFONE (Fig. H1 — Fig. H2)

Se si utilizza un secchio d'acqua (non fornito) come fonte d'acqua, collegare l'idropulitrice al tubo del sifone.

NOTA: Riempire il secchio in modo che, una volta immerso, il filtro non galleggi in superficie.

COLLEGAMENTO A UN TUBO DA GIARDINO (NON FORNITO)

Se si utilizza il rubinetto dell'acqua (non fornito) come fonte d'acqua, collegare l'idropulitrice a un tubo da giardino (non fornito).

UTILIZZO

DESTINAZIONE D'USO

Questo apparecchio può essere usato per gli scopi elencati di seguito.

- Pulizia dello sporco su automobili, pareti, pavimenti, ecc.

INSTALLAZIONE/RIMOZIONE DEL GRUPPO BATTERIA

Usare l'apparecchio esclusivamente con i gruppi batteria e caricabatteria EGO elencati in Fig. A2.

Consultare il manuale dei gruppi batteria e del caricabatteria per le istruzioni dettagliate.

Ricaricare completamente la batteria prima del primo utilizzo.

NOTA: L'uso di una batteria non consentirà di raggiungere la velocità **TURBO**. Per prestazioni ottimali, consigliamo vivamente l'uso di due batterie da 5,0 Ah o più Ah.

1. Aprire il coperchio del vano batteria sollevando la parte anteriore del coperchio.
2. **Per effettuare il collegamento:** allineare le parti sporgenti sul gruppo batteria con le scanalature di assemblaggio e premere il gruppo batteria fino a udire un "clic". Installare gli altri gruppi batteria (Fig. I1).
3. **Per scollegare:** premere il pulsante di rilascio della batteria ed estrarre il gruppo batteria (Fig. I2).

I2-1	Pulsante di rilascio della batteria
------	-------------------------------------

4. Chiudere il coperchio del vano batteria.

AVVIAMENTO/ARRESTO DELL'IDROPULTRICE (Fig. J)

Per avviare l'idropultrice

NOTA: Non avviare l'idropultrice senza l'alimentazione idrica collegata e accesa. Ciò potrebbe danneggiare le guarnizioni ad alta pressione e ridurre la durata della pompa.

1. Assicurarsi che il tubo del sifone, il tubo ad alta pressione, la pistola e l'ugello siano collegati correttamente.
2. Collegare lancia, bacchetta, cannone a schiuma, filtra in base alle proprie esigenze.
3. Scegliere uno dei seguenti modi di approvvigionamento idrico:
 - Se si usa un tubo da giardino (non fornito), collegare l'idropultrice al tubo da giardino e poi aprire il rubinetto dell'acqua.
 - Se si utilizza un secchio d'acqua, collegare il filtro al tubo del sifone, quindi immergere completamente il filtro e il giunto di attacco rapido nel secchio d'acqua.
4. Installazione di uno o più gruppi batteria.
5. Premere il pulsante di accensione per accendere l'idropultrice. L'idropultrice funzionerà sempre ad alta velocità dopo ogni avvio.

NOTA: Quando l'idropultrice è accesa ma senza ulteriori azioni, si spegne automaticamente dopo 5 minuti di standby. Durante i primi minuti di standby, l'indicatore di velocità sull'idropultrice emetterà tre lampeggi verdi, che indicano che non scorre acqua nel tubo del sifone.

6. Tenere la pistola con entrambe le mani, premere il lato di sblocco del pulsante di blocco e poi premere il grilletto fino a produrre un flusso d'acqua costante.

NOTA: Se la lancia è collegata, impugnare la pistola con una mano e la lancia con l'altra.

7. Inizio del lavaggio a spruzzo.

NOTA: Potrebbe essere necessario del tempo prima che l'acqua esca dalla fonte e fuoriesca dall'ugello sotto forma di spruzzo costante. Per ottenere rapidamente un flusso d'acqua costante, bisogna fare quanto segue.

- a. Rimuovere l'ugello.
- b. Premere il grilletto e attendere che dalla bacchetta inizi ad uscire un flusso d'acqua costante.
- c. Rilasciare il grilletto e reinstallare l'ugello.

Per arrestare l'idropultrice

1. Una volta completato il lavaggio, rilasciare il grilletto e premere il pulsante di blocco per bloccare la posizione.
2. Premere il pulsante di accensione per spegnere l'idropultrice.
3. Chiudere il rubinetto dell'acqua o rimuovere il tubo del sifone dal secchio dell'acqua.

4. Premere il pulsante di blocco della pistola fino alla posizione di sblocco e premere il grilletto per svuotare l'acqua dai tubi.

NOTA: La pistola, i tubi, le bacchette, gli ugelli o il cannone a schiuma non devono essere scollegati finché l'acqua rimane nei tubi.

5. Scollegare e rimuovere la pistola, i tubi, le bacchette, gli ugelli o il cannone a schiuma.
6. Premere il pulsante di accensione per accendere l'idropulitrice per scaricare l'acqua nell'idropulitrice.
7. Premere nuovamente il pulsante di accensione per spegnere l'idropulitrice.
8. Rimuovere i gruppi batteria.

TELECOMANDO

La pistola può essere abbinata all'idropulitrice per funzionare come telecomando.

Accoppiamento pistola corta a pressione (Fig. K)

1. Inserire uno o più pacchi batterie e accendere l'idropulitrice ad alta pressione.
2. Premere a lungo il pulsante della velocità sull'idropulitrice ad alta pressione fino a quando le tre luci verdi iniziano a lampeggiare.

NOTA: Il lampeggiamento durerà circa 20 s, quindi la pistola può essere accoppiata solo durante questo periodo. È anche possibile premere brevemente il pulsante di velocità sull'idropulitrice per uscire dalla modalità di associazione in qualsiasi momento.

3. Tenere premuto il pulsante della velocità sulla pistola finché i tre indicatori verdi non iniziano a lampeggiare, a indicare l'avvio del processo di abbinamento.

NOTA: Il lampeggiamento che indica il processo di associazione durerà circa 10 s. È possibile premere brevemente il pulsante di velocità sulla pistola per uscire dal processo di associazione in qualsiasi momento.

4. Gli indicatori di velocità sull'idropulitrice e sulla pistola accenderanno tre luci verdi contemporaneamente per 3 secondi per indicare che l'accoppiamento è avvenuto correttamente, quindi mostreranno due luci verdi.
5. Se l'associazione non è riuscita, gli indicatori di velocità sull'idropulitrice e sulla pistola emetteranno tre luci verdi e poi si spegneranno.

Controllo da remoto

Una volta completato l'accoppiamento, premendo il pulsante della velocità una volta sulla pistola, l'indicatore del livello di carica a 5 LED e l'indicatore di velocità si accenderanno. Premere nuovamente il pulsante della velocità per modificare effettivamente la velocità.

NOTA:

- L'indicatore di livello di carica a 5 LED e l'indicatore di velocità si spengono quando non vi è più alcuna azione sul pulsante della velocità della pistola entro 10 s.
- L'indicatore di livello di carica a 5 LED indica il livello di carica della batteria. Quando sono installate due batterie, indica il livello della batteria con la carica più elevata.
- L'indicatore di velocità sulla pistola è sempre sincronizzato con l'indicatore di velocità sull'idropulitrice.

SELEZIONE DELLA VELOCITÀ

- La velocità dell'idropulitrice può essere regolata tramite il pulsante di velocità sull'idropulitrice o sulla pistola associata.
- La velocità dell'idropulitrice può essere regolata quando l'idropulitrice è accesa o durante la spruzzatura.
- Ogni volta che si preme il pulsante della velocità, la velocità passerà da livello alto, a livello TURBO e livello basso. L'indicatore di velocità visualizza una luce verde, due luci verdi o tre luci verdi per indicare che l'idropulitrice funziona rispettivamente a bassa velocità, alta velocità o TURBO.

NOTA: Quando viene inserita una sola batteria, la velocità TURBO non può essere raggiunta e ogni volta che si preme il pulsante della velocità, la velocità passa da livello alto a livello basso.

NOTA: Se l'idropulitrice continua a funzionare alla velocità TURBO, l'autonomia potrebbe risentirne.

PULIZIA CON DETERGENTE

AVVERTENZA! Utilizzare solo detergenti appositamente realizzati per l'uso con idropultrici. Rispettare le istruzioni di applicazione, smaltimento e sicurezza del produttore del detergente.

1. Ruotare la bottiglia del cannone a schiuma in senso antiorario e rimuoverla (Fig. L1).
2. Versare il detergente nel flacone.

NOTA: La temperatura del detergente non deve superare i 60 °C.

3. Sostituire il cannone a schiuma e collegarlo all'attacco rapido della pistola.
4. Ruotare la manopola del detergente per regolare la quantità di detergente aggiunta al flusso d'acqua in base alle proprie esigenze (Fig. L2).

MANUTENZIONE

⚠ AVVERTENZA! Per evitare lesioni gravi, rimuovere il gruppo batteria dal prodotto prima di pulirlo o ripararlo e prima di sostituire gli accessori o di rimuovere del materiale dall'unità.

MANUTENZIONE GENERALE

Evitare l'uso di solventi durante la pulizia delle parti in plastica. I solventi disponibili in commercio possono danneggiare la maggior parte dei componenti in plastica. Usare un panno pulito per rimuovere sporcizia, polvere, olio, grasso, ecc.

⚠ AVVERTENZA! Evitare che sostanze come liquidi per i freni, benzina, prodotti a base di petrolio, ecc. entrino a contatto con le parti in plastica. Le sostanze chimiche possono danneggiare, indebolire o distruggere la plastica, con il rischio di lesioni gravi.

⚠ AVVERTENZA! Per ridurre il rischio di incendi, lesioni personali e danni al prodotto dovuti a un cortocircuito, non immergere mai l'apparecchio, la batteria o il caricabatterie in un fluido né consentire al fluido di fluire al loro interno. I fluidi corrosivi o conduttivi, come l'acqua di mare, alcuni prodotti chimici industriali, la candeggina o prodotti contenenti candeggina, ecc., possono causare un cortocircuito.

SOSTITUZIONE DELLA BATTERIA A BOTTONE (Fig. M1&M2)

⚠ AVVERTENZA! Tenerli fuori dalla portata dei bambini. La deglutizione può causare ustioni chimiche, perforazione dei tessuti molli e morte. Le ustioni gravi possono verificarsi entro 2 ore dall'ingestione. Rivolgersi immediatamente a un medico.

AVVISO: Non inserire mai la batteria direttamente nel vano (Fig. M3). In caso contrario, le due clip verranno danneggiate, causando il guasto del telecomando della pistola.

M3-1	Clip
------	------

NOTA: Riparare la pistola con l'idropulitrice dopo aver sostituito la batteria a bottone seguendo le istruzioni nella sezione **"Accoppiamento della pistola corta a pressione"**.

PULIZIA DEI FILTRI

- Svitare e rimuovere la manopola sulla porta di ingresso dell'acqua, quindi estrarre la rete metallica dalla porta di ingresso dell'acqua, sciacquare la rete metallica o sostituirla se necessario (Fig. N1).

N1-1	Rete metallica
------	----------------

- Rimuovere il filtro dal tubo del sifone, avvitare il filtro e risciacquarlo accuratamente (Fig. N2).

PULIZIA DEGLI UGELLI (Fig. O)

Quando i fori degli ugelli sono bloccati, è possibile utilizzare l'ago per la pulizia degli ugelli fornito per passare attraverso i fori e rimuovere l'ostruzione.

TRASPORTO DELL'IDROPULTRICE (Fig. P)

Premere il pulsante di blocco dell'impugnatura, quindi estrarre l'impugnatura telescopica fino al primo livello di lunghezza finché non si sente un «clic». Se lo si desidera, è possibile premere il pulsante di blocco dell'impugnatura, quindi estrarre l'impugnatura telescopica fino al secondo livello di lunghezza.

CONSERVAZIONE DELL'IDROPULTRICE

1. Arrestare l'idropultrice, rilasciare la pressione, svuotare l'acqua e rimuovere la batteria dall'idropultrice seguendo le istruzioni nella sezione **"Per spegnere l'idropultrice"**.
2. Conservare gli ugelli nell'area di stoccaggio degli ugelli dell'idropultrice (Fig. Q1).
3. Arrotolare il tubo ad alta pressione e riportarlo dietro l'impugnatura telescopica (Fig. Q2).
4. Riporre la pistola, la lancia e il gruppo bacchetta nelle staffe di supporto o scollegare la pistola e riportarla nelle staffe di supporto superiori (Fig. Q3).
5. Pulire accuratamente l'idropultrice prima di riportarla.
6. Conservare l'idropultrice in un luogo asciutto, ben ventilato, elevato o chiuso a chiave, e fuori dalla portata dei bambini. Non conservare l'idropultrice sopra o in prossimità di fertilizzanti, benzina o altre sostanze chimiche.

Protezione dell'ambiente



Non smaltire apparecchi elettrici, caricabatteria e batterie insieme ai rifiuti domestici. Portare il prodotto presso un centro di riciclaggio autorizzato affinché venga raccolto separatamente. Gli apparecchi elettrici devono essere portati presso un centro di riciclaggio ecocompatibile.

IT

RISOLUZIONE DEI PROBLEMI

IT

PROBLEMA	CAUSA	SOLUZIONE
L'idropulitrice non si accende.	<ul style="list-style-type: none"> ■ Basso livello di carica della batteria. ■ La batteria non è installata correttamente. 	<ul style="list-style-type: none"> ■ Ricaricare il gruppo batteria. ■ Inserire la batteria nel vano batteria finché non scatta in posizione.
La velocità TURBO non può essere attivata.	<ul style="list-style-type: none"> ■ Per il funzionamento dell'idropulitrice viene utilizzata una sola batteria. 	<ul style="list-style-type: none"> ■ Utilizzare due batterie da 5,0 Ah o superiori.
La pompa dell'idropulitrice smette di funzionare e l'indicatore di velocità sull'idropulitrice lampeggia con tre luci verdi.	<ul style="list-style-type: none"> ■ L'idropulitrice e una o più batterie sono surriscaldate. ■ L'ugello è bloccato. ■ L'acqua non scorre nel tubo del sifone. ■ Basso livello di carica della batteria. ■ Altri guasti elettronici. 	<ul style="list-style-type: none"> ■ Attendere che l'idropulitrice e una o più batterie tornino alla temperatura di esercizio, quindi riavviare l'idropulitrice. ■ Usare l'ago per la pulizia degli ugelli per passare attraverso i fori. ■ Controllare e assicurarsi che l'acqua scorra correttamente nel tubo del sifone. ■ Ricaricare il gruppo batteria. ■ Contattare il servizio clienti EGO.
Il flusso d'acqua è basso durante la spruzzatura.	<ul style="list-style-type: none"> ■ Il filtro è parzialmente bloccato. ■ La rete metallica nella porta di ingresso dell'acqua è parzialmente bloccata. ■ Il filtro e il giunto di attacco rapido del tubo del sifone non sono completamente immersi nell'acqua. ■ Il tubo del sifone è piegato. ■ L'acqua è sporca. ■ Il tubo ad alta pressione è bloccato. 	<ul style="list-style-type: none"> ■ Pulire il filtro. ■ Rimuovere e pulire la rete metallica. ■ Immergere completamente il filtro e il giunto di attacco rapido nell'acqua. ■ Aprire il tubo del sifone o sostituirlo. ■ Usare solo acqua pulita. ■ Rimuovere l'ugello, quindi iniziare a spruzzare acqua dal tubo per eliminare l'ostruzione del tubo.

PROBLEMA	CAUSA	SOLUZIONE
Non fuoriescono spruzzi d'acqua.	<ul style="list-style-type: none"> ■ Alimentazione assente. ■ Il filtro è completamente bloccato. ■ La rete metallica nella porta di ingresso dell'acqua è completamente bloccata. ■ L'ugello è bloccato. ■ La pompa, i tubi o altri componenti sono congelati. 	<ul style="list-style-type: none"> ■ Controllare e assicurarsi che l'idropulitrice sia collegata correttamente alla rete idrica. ■ Pulire il filtro. ■ Rimuovere e pulire la rete metallica. ■ Usare l'ago per la pulizia degli ugelli per passare attraverso i fori. ■ Aspettare che si scongelino.
Il flusso d'acqua non è stabile.	<ul style="list-style-type: none"> ■ L'aria fluisce nell'idropulitrice. ■ Le guarnizioni della pompa sono usurate. 	<ul style="list-style-type: none"> ■ Controllare e assicurarsi che il tubo del sifone sia collegato correttamente. ■ Contattare il servizio clienti EGO.
Avvio o arresto automatico degli spruzzi d'acqua.	<ul style="list-style-type: none"> ■ Il tubo ad alta pressione è danneggiato. ■ C'è una perdita d'acqua dalla pistola. ■ Le guarnizioni delle pompe, le guarnizioni dei tubi sono usurate. 	<ul style="list-style-type: none"> ■ Sostituire con un nuovo tubo ad alta pressione. ■ Contattare il servizio clienti EGO. ■ Contattare il servizio clienti EGO.
La pistola non può controllare l'idropulitrice.	<ul style="list-style-type: none"> ■ La posizione della pistola è al di fuori del raggio di connessione wireless. ■ La carica della batteria a bottone (pila a bottone) è bassa. ■ La pistola non è accoppiata correttamente. ■ La batteria a bottone non è installata correttamente. 	<ul style="list-style-type: none"> ■ Avvicinare la pistola all'idropulitrice. ■ Sostituire con una nuova batteria a bottone (pila a bottone). ■ Completare l'abbinamento seguendo le istruzioni nella sezione «Abbinamento della pistola corta a pressione». ■ Installare la batteria a bottone seguendo le istruzioni riportate nella sezione «SOSTITUZIONE DELLA BATTERIA A BOTTONE».

GARANZIA

CONDIZIONI DELLA GARANZIA EGO

Visitare il sito web egopowerplus.eu per consultare le condizioni complete della garanzia EGO.

LEES ALLE INSTRUCTIES!



LEES DE GEBRUIKSAANWIJZING

⚠ WAARSCHUWING: Laat alle reparaties uitvoeren door een vakbekwame reparateur om een continue veiligheid en betrouwbaarheid te waarborgen.

NL

VEILIGHEIDSSYMBOL

Het doel van de veiligheidssymbolen is om u te wijzen op mogelijke gevaren. Besteed daarom voldoende aandacht hieraan en begrijp de veiligheidssymbolen en bijbehorende uitleg. De symboolwaarschuwingen op zich elimineren geen enkel gevaar. De verstrekte instructies en waarschuwingen gelden niet als vervanging voor gepaste voorzorgsmaatregelen tegen ongevallen.

⚠ WAARSCHUWING: Lees en begrijp alle veiligheidsinstructies die in deze gebruiksaanwijzing staan vermeld, waaronder alle veiligheidssymbolen zoals "**GEVAAR**", "**WAARSCHUWING**" en "**OPGELET**" voordat u deze machine in gebruik neemt. Het negeren van onderstaande instructies kan leiden tot een elektrische schok, brand en/of ernstig persoonlijk letsel.

⚠ WAARSCHUWING: Risico op brand en brandwonden. Niet demonteren, boven 100 °C verwarmen of verbranden. Houd de batterij uit de buurt van kinderen en bewaar hem in de originele verpakking tot u hem wilt gebruiken. Gooi gebruikte batterijen weg volgens de lokale recycle-voorschriften of afval-richtlijnen.

VEILIGHEIDSINSTRUCTIES

Op deze pagina worden veiligheidssymbolen afgebeeld en beschreven die op dit product kunnen voorkomen. Lees, begrijp en volg alle instructies op de machine voordat u deze in elkaar steekt en gebruikt.



Veiligheidswaarschuwing



De gebruiker moet de gebruiksaanwijzing lezen om het risico op letsel te beperken.



Spuit nooit naar uzelf, andere personen, dieren, voedingsbronnen of het toestel zelf.



Dit product is in overeenstemming met de EG-richtlijnen.



Niet aansluiten op de drinkwaterleiding.



GB conformiteit beoordeeld



Gooi elektrisch afval niet via het huishoudelijk afval weg. Breng het naar een geautoriseerd recyclingbedrijf.



Waterdruk



Debiet



Bedrijfstemperatuur



Gelijkstroom

kg Kilogram

V Spanning

MPa Megapascal

°C Celsius

L/min Liter per minuut

IPX5 Bescherming tegen waterstralen

⚠ WAARSCHUWING: Lees en begrijp alle instructies voordat u de machine gebruikt. Het negeren van onderstaande instructies kan leiden tot een elektrische schok, brand en/of ernstig persoonlijk letsel.

⚠ WAARSCHUWING: Tijdens het gebruik van een hogedrukreiniger kunnen aerosolen worden gevormd. Het inademen van aerosolen kan gevaarlijk zijn voor de gezondheid.

⚠ WAARSCHUWING: Een hogedrukstraal kan gevaarlijk zijn als ze verkeerd worden gebruikt. Richt de straal niet naar personen, elektrische apparatuur onder spanning of de machine zelf.

⚠ WAARSCHUWING: Gebruik de machine niet binnen het bereik van personen, tenzij deze beschermende kleding dragen.

⚠ WAARSCHUWING: Richt de straal niet naar uzelf of anderen om kleding of schoeisel schoon te maken.

⚠ WAARSCHUWING: Explosiegevaar - Geen ontvlambare vloeistoffen spuiten.

⚠ WAARSCHUWING: Hogedrukreinigers mogen niet worden gebruikt door kinderen of niet opgeleid personeel.

⚠ WAARSCHUWING: Hogedrukslangen, fittingen en koppelingen zijn belangrijk voor de veiligheid van de machine.

⚠ WAARSCHUWING: Water dat door terugslagkleppen is gestroomd, wordt als niet-drinkbaar beschouwd.

⚠ WAARSCHUWING: Gebruik de machine niet als belangrijke onderdelen van de machine beschadigd zijn, zoals de veiligheidsvoorzieningen, hogedrukslangen, korte hogedrukpistool.

⚠ WAARSCHUWING: Afhankelijk van de toepassing kunnen afgeschermd spuitmonden worden gebruikt voor reiniging onder hoge druk, dit zorgt voor een aanzienlijke afname in de uitstoot van wateraerosolen. Niet alle toepassingen staan echter het gebruik van een dergelijke voorziening toe. Als afgeschermd spuitmonden niet geschikt zijn voor bescherming tegen aerosolen, kan een ademmasker van klasse FFP 2 of gelijkwaardig nodig zijn, afhankelijk van het te reinigen gebied.

- Deze machine is niet bestemd voor het gebruik door personen (waaronder kinderen) met verminderde fysieke, sensorische of mentale vermogens of met een gebrek aan ervaring en kennis. Houd toezicht op kinderen zodat ze niet met het apparaat spelen.
- Weet hoe u het product stopt en de druk snel vrijgeeft. Zorg dat u goed vertrouwd bent met de bediening.
- Vermijd dat de machine per ongeluk wordt gestart. Zorg ervoor dat de schakelaar is ingesteld op de uitpositie voordat u het toestel op het accupack aansluit, vastneemt of draagt. Het dragen van het toestel met uw vinger op de schakelaar of toestel ingeschakeld op de stroomvoorziening aansluiten kan ongevallen veroorzaken.
- Wees u altijd bewust van het gevaar van de reactiekracht en de plotselinge torsie op het sproeigedeelte wanneer u het pistool bedient.
- Stel het apparaat of de batterij niet bloot aan een extreme temperatuur.
- Houd rekening met het risico dat de polen van het op batterijen-aangedreven apparaat of de batterij worden kortgesloten door metalen voorwerpen.
- Oplaadbare batterijen moeten uit het apparaat worden verwijderd voordat ze worden opgeladen
- Verschillende soorten batterijen of nieuwe en gebruikte batterijen mogen niet worden gemengd.
- Lege batterijen moeten uit het apparaat worden verwijderd en veilig worden verwijderd.
- Als het apparaat gedurende een langere periode moet worden opgeborgen en niet wordt gebruikt, moeten de batterijen worden verwijderd.
- Gebruik geen wegwerpbatterijen in plaats van oplaadbare batterijen.
- Gebruik geen aangepaste of beschadigde batterijen.
- **Alleen gebruiken met de gespecificeerde accupacks en opladers.**

Bewaar deze gebruiksaanwijzing. Raadpleeg de gebruiksaanwijzing indien nodig en gebruik deze om andere personen die deze machine zullen gebruiken te instrueren. Al u deze machine aan iemand anders geeft, doe dan tevens deze gebruiksaanwijzing erbij om verkeerd gebruik en mogelijk letsel te voorkomen.

NL

SPECIFICATIES

Spanning	56 V
Maximale nominale druk	135 Bar
Maximale nominale stroom (met de snelkoppelingslans en roestvrijstalen steel aangesloten)	6,5 L/min
Maximale nominale stroom (met alleen het kort hogedrukpistool aangesloten)	9,5 L/min
Beperkte maximale druk voor pistool	250 Bar
Beperkte maximale debiet voor pistool	30 L/min
Gewicht (zonder accupack)	16,8 kg
Aanbevolen bedrijfstemperatuur	5°C – 40°C
Aanbevolen opslagtemperatuur	-20°C – 70°C
Gemeten geluidsvermogensniveau L_{WA}	84 dB(A) K=1,8 dB(A)
Geluidsdruk niveau aan het oor van de bediener L_{PA}	72 dB(A) K=3 dB(A)
Gegarandeerd geluidsvermogensniveau L_{WA} (gemeten volgens 2000/14/EG)	86 dB(A)
Vibratie a_h	3,6 m/s ² K=0,9 m/s ²

- De opgegeven totale vibratiewaarde is gemeten volgens de standaard testmethode en kan worden gebruikt om het apparaat met een ander apparaat te vergelijken;
- De opgegeven totale vibratiewaarde kan tevens worden gebruikt in een voorafgaande beoordeling op blootstelling.

OPMERKING: De trillingsemissie tijdens het werkelijk gebruik van het elektrisch gereedschap kan verschillen van de opgegeven totale waarde. Om de gebruiker te beschermen dient de gebruiker tijdens het gebruik handschoenen en gehoorbescherming te dragen.

AANBEVOLEN ACCESSOIRES

⚠ WAARSCHUWING: Gebruik alleen onderstaande accessoires. Het gebruik van accessoires die niet aan de specificaties van de originele uitrusting voldoen kunnen verkeerde prestaties leveren en de veiligheid in gevaar brengen.

NAAM VAN HET ONDERDEEL	MODELNUMMER
Premium schuimkanon	AFC2000E
Turbospuitmond	ANZ2000E-T
15° spuitmond	ANZ2015E
25° spuitmond	ANZ2025E
40° spuitmond	ANZ2040E
Spoelspuitmond	ANZ2000E-R

INHOUD VAN DE VERPAKKING (AFB. A1)

BESCHRIJVING

KEN UW HOGEDRUKREINIGER (Afb. A1)

- Telescopische greep
- Vergrendelingsknop voor greep
- Bovenste houderbeugel
- Wiel (x2)
- Onderste houderbeugel
- Watertoevoeraansluiting
- Waterafvoeraansluiting
- Snelheidsknop
- Snelheidsindicator
- Aan/uit-knop
- Accupack-vak
- Opbergruimte voor spuitmonden
- Klep van accupack-vak
- Elektrische contacten
- Uitwerpmechanisme
- Accuvrijgaveknop
- Slanghouder-band
- Roestvrijstalen steel
- Snelkoppelingslans
- Hogedrukslang
- Hevelslang
- Snelkoppeling (x2)
- Schuimkanon
- Filter
- Reinigingsnaald voor spuitmond
- Spoelspuitmond
- 40° spuitmond
- 25° spuitmond

- 29. 15° spuitmond
- 30. Turbospuitmond
- 31. Korte hogedrukpistool
- 32. Afdekking accu
- 33. Vermogensmeter met 5 leds
- 34. Snelheidsindicator
- 35. Snelheidsknop
- 36. Pistoolgreep
- 37. Schakelaar
- 38. Vergrendelknop

MONTAGE

DE HOUDERBEUGELS INSTALLEREN (Afb. B)

B-1	Bovenste houderbeugel	B-2	Onderste houderbeugel
B-3	Schroeven		

DE HOGEDRUKSLANG AANSLUITEN (Afb. C - Afb. D)

U kunt de hogedrukslang op een van de volgende manieren aansluiten:

- Sluit de hogedrukslang rechtstreeks aan op de waterafvoeraansluiting en het pistool met behulp van de connectoren met schroefdraad (Afb. C1 - Afb. C2);
- Sluit de hogedrukslang aan op de waterafvoeraansluiting en het pistool met behulp van de twee snelkoppelingen voor een eenvoudige installatie/verwijdering (Afb. D1 - Afb. D2).

OPMERKING: De snelkoppelingen werden in de fabriek reeds geïnstalleerd op de waterafvoeraansluiting, de hogedrukslang en het pistool.

DE LANS en STEEL INSTALLEREN (Afb. E1 - Afb. E2)

Om los te koppelen, schroef de steel van de lans los en trek deze er dan uit; draai de knop op de lans los en trek dan de buitenste ring van de snelkoppeling van het pistool terug om de lans eruit te trekken.

⚠ WAARSCHUWING: Houd het pistool altijd met één hand vast en de lans met de andere hand wanneer u de lans van het pistool loskoppelt. Als de lans valt, kan dit persoonlijk letsel veroorzaken.

EEN SPUITMOND AANSLUITEN (Afb. F1 / Afb. F2)

OPMERKING: De spuitmonden kunnen niet op de lans worden aangesloten.

- Kies de 15° spuitmond, 25° spuitmond, 40° spuitmond of turbospuitmond om op de steel te installeren (Afb. F1).

F1-1	15° spuitmond	F1-2	25° spuitmond
F1-3	40° spuitmond	F1-4	Turbospuitmond

- De spoelspuitmond wordt rechtstreeks op het pistool aangesloten (Afb. F2).

F2-1	Spoelspuitmond
------	----------------

⚠ WAARSCHUWING: Houd het pistool altijd met één hand vast en de spuitmond met de andere hand wanneer u de spuitmond van het pistool loskoppelt. Persoonlijk letsel kan ontstaan als de spuitmond eruit springt.

Gebruik de onderstaande tabel om de juiste spuitmond voor de werkzaamheid te kiezen.

Keuze van spuitmond	Toepassingen
Gele 15° spuitmond	Reinigen van kleine metalen, betonnen of houten oppervlakken.
Groene 25° spuitmond	Reinigen van grotere metalen, betonnen of houten oppervlakken.
Witte 40° spuitmond	Reinig van brede metalen, betonnen of houten oppervlakken.
Grijze spoelspuitmond	Afspoelen van voertuigen. Het reinigingsmiddel van metaal, beton, hout of vinyl afspoelen.
Turbospuitmond	Alleen harde oppervlakken reinigen. Niet gebruiken op auto's en houten oppervlakken om beschadiging van het oppervlak te voorkomen.

DE SCHUIMKANON AANSLUITEN (Afb. G)

Het schuimkanon is rechtstreeks op het pistool aangesloten.

Om los te koppelen, trek de buitenste ring van de snelkoppeling naar achteren en trek het schuimkanon vervolgens uit.

DE HEVELSLANG AANSLUITEN (Afb. H1 - Afb. H2)

Als u een wateremmer (niet inbegrepen) als waterbron gebruikt, sluit de hogedrukreiniger aan op de hevelslang.

OPMERKING: Vul de emmer zodat de filter bij onderdempeling niet naar het oppervlak drijft.

OP EEN TUINSLANG AANSLUITEN (NIET INBEGREPEN)

Wanneer u een waterkraan (niet inbegrepen) als waterbron gebruikt, sluit de hogedrukreiniger aan op een tuinslang (niet inbegrepen).

GEBRUIK

TOEPASSING

U kunt dit product gebruiken voor onderstaand vermelde doeleinden:

- Reinigen van vuil op auto's, muren, vloeren, etc.

HET ACCUPACK INSTALLEREN/VERWIJDEREN

Gebruik het gereedschap alleen met de in afb. A2 vermelde accupacks en opladers van EGO.

Raadpleeg de handleidingen van de bijbehorende accupacks en opladers voor meer informatie.

Voor ingebruikname volledig opladen.

OPMERKING: Met één accupack kunt u geen TURBO-snelheid bereiken. Voor de beste prestaties raden we het gebruik van twee accupacks van 5,0 Ah of meer aan.

1. Breng de klep van het accupackvak omhoog door de voorkant van de klep op te tillen.
2. **Breng voor de bevestiging** de ribbels van het accupack op één lijn met de montagesleuven en druk het accupack naar beneden totdat u "klik" hoort. Plaats het ander accupack (Afb. I1).
3. **Druk voor het verwijderen** de accu-ontgrendelingsknop naar beneden en trek het accupack eruit (Afb. I2).

I2-1	Accuvrijgaveknop
------	------------------

4. Sluit het deksel van het batterijvak.

DE HOGEDRUKREINIGER STARTEN/STOPPEN (Afb. J)

De hogedrukreiniger starten

OPMERKING: Start de hogedrukreiniger niet zonder dat de watertoevoer is aangesloten en open is gedraaid. Dit kan de hogedrukafdichtingen beschadigen en de levensduur van de pomp verkorten.

1. Controleer of de hevelslang, hogedrukslang, het pistool en de spuit goed zijn aangesloten.
2. Sluit de lans, de steel, het schuimkanon en de filter naar wens aan.
3. Kies een van de onderstaande manieren om water aan te voeren:
 - Als u een tuinslang (niet inbegrepen) gebruikt, sluit de hogedrukreiniger aan op de tuinslang en draai vervolgens de waterkraan open.
 - Als u een wateremmer gebruikt, sluit de filter aan op de hevelslang en dompel de filter en de snelkoppeling volledig onder in de wateremmer.
4. Installeer het/de accupack(s).
5. Druk op de aan/uit-knop om de hogedrukreiniger in te schakelen. De hogedrukreiniger draait altijd op hoge snelheid na elke start.

OPMERKING: Als de hogedrukreiniger is ingeschakeld maar er vinden geen andere handelingen plaats, dan wordt de reiniger na 5 minuten inactiviteit automatisch uitgeschakeld. Tijdens de eerste minuten inactiviteit knippert de snelheidsindicator op de hogedrukreiniger drie keer groen, wat aangeeft dat er geen water in de hevelslang stroomt.

6. Houd het pistool met beide handen vast, duw de vergrendelingsknop naar de ontgrendelingspositie en knijp de schakelaar in totdat er een gestage waterstroom wordt geproduceerd.

OPMERKING: Als de lans is aangesloten, houd het pistool met één hand vast en de lans met de andere hand.

7. Start met sproeien.

OPMERKING: Het kan even duren voordat het water de bron heeft verlaten en er een gelijkmatige straal uit de spuitmond komt. Om snel een gestage waterstroom te krijgen, kunt u het volgende doen:

- a. Verwijder de spuitmond.
- b. Druk op de schakelaar en wacht tot er een gestage waterstraal uit de steel komt.
- c. Laat de schakelaar los en installeer de spuitmond opnieuw.

De hogedrukreiniger stoppen

1. Na het reinigen, laat de schakelaar los en duw de vergrendelingsknop naar de vergrendelingspositie.
2. Druk op de aan/uit-knop om de hogedrukreiniger uit te schakelen.
3. Sluit de waterkraan of haal de hevelslang uit de wateremmer.
4. Duw de vergrendelingsknop van het pistool naar de ontgrendelingspositie en knijp de schakelaar in om het water uit de slangen te laten lopen.

OPMERKING: Het pistool, de slangen, stelen, spuitmondten of het schuimkanon mogen niet losgekoppeld worden zolang er water in de slangen aanwezig is.

5. Koppel het pistool, de slangen, stelen, spuitmondten of het schuimkanon los en verwijder ze.
6. Druk op de aan/uit-knop om de hogedrukreiniger aan te zetten en het water in de hogedrukreiniger af te voeren.
7. Druk opnieuw op de aan/uit-knop om de hogedrukreiniger uit te schakelen.
8. Verwijder het/de accupack/s.

AFSTANDBEDIENING

Het pistool kan worden gekoppeld aan de hogedrukreiniger om als afstandsbediening te fungeren.

Korte hogedrukpistool koppelen (Afb. K)

1. Installeer het/de accupack(s) en schakel de hogedrukreiniger in.
2. Druk lang op de snelheidsknop op de hogedrukreiniger totdat de drie groene lampjes beginnen te knipperen.

OPMERKING: Het knipperen duurt ongeveer 20 s, het pistool kan alleen gedurende deze tijd worden gekoppeld. U kunt ook kort op de snelheidsknop van de hogedrukreiniger drukken om de koppelingsmodus op elk moment af te sluiten.

3. Druk lang op de snelheidsknop op het pistool totdat de drie groene lampjes beginnen te knipperen. Dit geeft aan dat het koppelingsproces is gestart.

OPMERKING: Het knipperen dat het koppelingsproces aangeeft duurt ongeveer 10 sec. U kunt op elk moment de snelheidsknop op het pistool kort indrukken om het koppelingsproces te beëindigen.

4. De snelheidsindicatoren op de hogedrukreiniger en het pistool geven samen drie groene lampjes weer gedurende 3 seconden om aan te geven dat het koppelen is gelukt, waarna er twee groene lampjes branden.
5. Als het koppelen is mislukt, knipperen de snelheidsindicatoren op de hogedrukreiniger en het pistool drie keer groen en gaan ze vervolgens uit.

De afstandsbediening gebruiken

Druk nadat het koppelen is voltooid eenmaal op de snelheidsknop op het pistool, de 5-led brandstofmeter en snelheidsindicator branden. Druk opnieuw op de snelheidsknop om de snelheid daadwerkelijk te wijzigen.

OPMERKING:

- De 5-led brandstofmeter en snelheidsindicator doven als er binnen 10 seconden geen handeling plaatsvindt op de snelheidsknop van het pistool.
- De 5-led brandstofmeter geeft het oplaadniveau van de accu aan. Als er twee accupacks zijn geïnstalleerd, geeft dit het niveau aan van de accu met de hoogste lading.
- De snelheidsindicator op het pistool is altijd gesynchroniseerd met de snelheidsindicator op de hogedrukreiniger.

SNELHEID SELECTEREN

- De snelheid van de hogedrukreiniger kan worden aangepast met de snelheidsknop op de hogedrukreiniger of het pistool.
- De snelheid van de hogedrukreiniger kan worden aangepast wanneer de machine wordt ingeschakeld of tijdens het sproeien.
- Telkens wanneer de snelheidsknop wordt ingedrukt, schakelt de snelheid tussen hoog niveau, TURBO-niveau en laag niveau. De snelheidsindicator geeft één groen lampje, twee groene lampjes of drie groene lampjes weer om aan te geven dat de hogedrukreiniger op respectievelijk de lage snelheid, hoge snelheid of TURBO is ingesteld.

OPMERKING: Als er maar één accupack is geplaatst, kan de TURBO-snelheid niet worden bereikt en telkens de snelheidsknop wordt ingedrukt, schakelt de snelheid tussen hoog en laag.

MEDEDELING: Als de hogedrukreiniger op TURBO-snelheid blijft werken, kan dit een invloed op de werkingstijd per laadbeurt hebben.

REINIGEN MET AFWASMIDDEL

⚠ WAARSCHUWING: Gebruik alleen reinigingsmiddelen specifiek voor gebruik met hogedrukreinigers. Volg de instructies van de fabrikant van het reinigingsmiddel voor een juiste gebruik, verwijdering en uw veiligheid.

1. Draai de fles van het schuimkanon tegen de klok in en verwijder deze (Afb. L1).
2. Giet reinigingsmiddel in de fles.

OPMERKING: De temperatuur van het reinigingsmiddel mag niet hoger zijn dan 60 °C.

3. Plaats het schuimkanon terug en sluit het aan op de snelkoppeling van het pistool.
4. Draai aan de reinigingsmiddelknop om de hoeveelheid reinigingsmiddel die aan de waterstroom wordt toegevoegd naar wens aan te passen (Afb. L2).

ONDERHOUD

⚠ WAARSCHUWING: Om ernstig persoonlijk letsel te voorkomen, haal het accupack uit het product voor onderhoud, reiniging, het vervangen van accessoires of het verwijderen van materiaal.

ALGEMEEN ONDERHOUD

Maak de kunststof onderdelen niet schoon met oplosmiddelen. De meeste kunststoffen kunnen worden beschadigd wanneer ze in contact komen met commerciële oplosmiddelen. Gebruik een schone doek voor het verwijderen van vuil, stof, olie, vet, etc.

⚠ WAARSCHUWING: Zorg dat remvloeistof, benzine, producten op basis van aardolie, oliën, etc. op geen enkel moment met de kunststof onderdelen in aanraking komen. Chemicaliën kunnen de kunststof onderdelen beschadigen en ernstig persoonlijk letsel veroorzaken.

⚠ WAARSCHUWING: Om het risico op brand, persoonlijk letsel en schade aan het product door kortsluiting te beperken, dompel uw machine, het accupack of lader nooit in een vloeistof en zorg dat er geen vloeistof binnendringt. Bijtende of geleidende vloeistoffen, zoals zeewater, bepaalde industriële chemicaliën, bleekmiddel of producten die bleekmiddel bevatten, etc. kunnen kortsluiting veroorzaken.

DE KNOOPCELBATTERIJ VERVANGEN (Afb. M1&M2)

⚠ WAARSCHUWING: Houd het buiten bereik van kinderen. Inslikken kan leiden tot chemische brandwonden, perforatie van zacht weefsel en de dood. Ernstige brandwonden kunnen binnen 2 uur na inslikken optreden. Zoek onmiddellijk medische hulp.

OPGELET: Duw de batterij nooit rechtstreeks in het vak (Afb. M3). Anders raken de twee klemmen beschadigd, waardoor de afstandsbediening van het pistool defect raakt.

M3-1	Klemmen
------	---------

OPMERKING: Koppel het pistool opnieuw aan de hogedrukreiniger nadat de knoopcelbatterij is vervangen volgens de instructies in de sectie "**Korte hogedrukpistool koppelen**".

DE FILTERS REINIGEN

- Schroef de knop op de watertoevoeraansluiting los en verwijder deze, neem dan het metalen gaas uit de watertoevoeraansluiting, spoel het metalen gaas of vervang het indien nodig (Afb. N1).

N1-1	Metalen gaas
------	--------------

- Verwijder de filter van de hevelslang, schroef de filter eruit en spoel deze grondig (Afb. N2).

DE SPUITMONDEN REINIGEN (Afb. O)

Als de gaatjes van de spuitmond verstopt zijn, kunt u de inbegrepen reinigingsnaald gebruiken om door de gaatjes te gaan en de verstopping te verwijderen.

DE HOGEDRUKREINIGER VERVOEREN (Afb. P)

Druk op de vergrendelingsknop voor greep en trek de telescopische greep uit tot het eerste lengteniveau totdat er een "klik" wordt gehoord. Indien gewenst kunt u op de vergrendelingsknop voor greep drukken en de telescopische greep vervolgens uittrekken tot het tweede lengteniveau.

DE HOGEDRUKREINIGER OPBERGEN

1. Stop de hogedrukreiniger, voer de druk af, laat het water weglopen en verwijder het accupack uit de hogedrukreiniger volgens de instructies in de sectie "**De hogedrukreiniger stoppen**".
2. Berg de spuitmond op in het voorziene opbergvak van de hogedrukreiniger (Afb. Q1).
3. Rol de hogedrukslang op en berg deze op achter de telescopische greep (Afb. Q2).
4. Berg het pistool, de lans en de steel op in de houderbeugels of koppel het pistool los en berg het op in de bovenste houderbeugels (Afb. Q3).
5. Maak de hogedrukreiniger grondig schoon voordat u deze opbergt.
6. Berg de hogedrukreiniger op in een droge, goed geventileerde en afsluitbare ruimte of op een hoge hoogte, buiten het bereik van kinderen. Berg de hogedrukreiniger niet op in de buurt van meststoffen, benzine of andere chemicaliën.

Het milieu beschermen



Gooi geen elektrische apparatuur, gebruikte batterijen en laders weg via het huishoudelijk afval! Geef dit product af bij een geautoriseerd recyclingbedrijf en zorg dat het apart kan worden ingezameld. Elektrisch gereedschap moet worden afgegeven voor een milieuvriendelijke recycling.

NL

PROBLEEMOPLOSSING

NL

PROBLEEM	OORZAAK	OPLOSSING
De hogedrukreiniger wordt niet ingeschakeld.	<ul style="list-style-type: none"> ■ Laadniveau van het accupack is laag ■ Accupack is niet goed geïnstalleerd. 	<ul style="list-style-type: none"> ■ Laad het accupack op. ■ Schuif het accupack in het accupackvak totdat het op zijn plaats klikt.
De TURBO-snelheid kon niet worden geactiveerd.	<ul style="list-style-type: none"> ■ Er wordt slechts één accupack gebruikt voor de hogedrukreiniger. 	<ul style="list-style-type: none"> ■ Gebruik twee accupacks van 5,0 Ah of meer.
De pomp van de hogedrukreiniger stopt met werken en de snelheidsindicator op de hogedrukreiniger knippert drie keer groen.	<ul style="list-style-type: none"> ■ De hogedrukreiniger of de accupack(s) hebben een te hoge temperatuur. ■ De spuitmond is verstopt. ■ Er stroomt geen water in de hevelslang. ■ Laadniveau van het accupack is laag ■ Andere elektronische storing(en). 	<ul style="list-style-type: none"> ■ Wacht totdat de hogedrukreiniger of de accupack(s) weer op bedrijfstemperatuur zijn en start de hogedrukreiniger opnieuw. ■ Gebruik de reinigingsnaald voor spuitmond om door de gaatjes te gaan. ■ Controleer en zorg dat er water in de hevelslang stroomt. ■ Laad het accupack op. ■ Neem contact op met de klantenservice van EGO.
De waterstroom is laag tijdens het sproeien.	<ul style="list-style-type: none"> ■ De filter is gedeeltelijk verstopt. ■ Het metalen gaas in de watertoevoeraansluiting is gedeeltelijk verstopt. ■ De filter en de snelkoppeling van de hevelslang zijn niet volledig ondergedompeld in water. ■ De hevelslang is gevouwen. ■ Water is vuil. ■ De hogedrukslang is verstopt. 	<ul style="list-style-type: none"> ■ Maak de filter schoon. ■ Verwijder het metalen gaas en maak het schoon. ■ Dompel de filter en de snelkoppeling volledig onder in water. ■ Ontvouw de hevelslang of vervang deze. ■ Gebruik alleen schoon water. ■ Verwijder de spuitmond en spuit dan water uit de slang om de verstopping in de slang te verwijderen.

PROBLEEM	OORZAAK	OPLOSSING
Er spuit geen water uit.	<ul style="list-style-type: none"> ■ Er is geen watervoorziening. ■ De filter is volledig verstopt. ■ Het metalen gaas in de watertoevoeraansluiting is volledig verstopt. ■ De spuitmond is verstopt. ■ Pomp, slangen of andere onderdelen zijn bevroren. 	<ul style="list-style-type: none"> ■ Controleer of de hogedrukreiniger goed is aangesloten op de watertoevoer. ■ Maak de filter schoon. ■ Verwijder het metalen gaas en maak het schoon. ■ Gebruik de reinigingsnaald voor spuitmond om door de gaatjes te gaan. ■ Wacht tot ze ontdooid zijn.
De waterstroom is niet stabiel.	<ul style="list-style-type: none"> ■ Er stroomt lucht in de hogedrukreiniger. ■ Pompafdichtingen zijn versleten. 	<ul style="list-style-type: none"> ■ Controleer of de hevelslang goed is aangesloten. ■ Neem contact op met de klantenservice van EGO.
Het sproeien start of stopt automatisch.	<ul style="list-style-type: none"> ■ De hogedrukslang is beschadigd. ■ Er lekt water uit het pistool. ■ Pompafdichtingen, slangafdichtingen zijn versleten. 	<ul style="list-style-type: none"> ■ Vervang door een nieuwe hogedrukslang. ■ Neem contact op met de klantenservice van EGO. ■ Neem contact op met de klantenservice van EGO.
Het pistool kan de hogedrukreiniger niet bedienen.	<ul style="list-style-type: none"> ■ De positie van het pistool bevindt zich buiten het bereik van de draadloze verbinding. ■ De knoopcelbatterij is bijna leeg. ■ Het pistool is niet goed gekoppeld. ■ De knoopcelbatterij is niet goed geïnstalleerd. 	<ul style="list-style-type: none"> ■ Breng het pistool dichterbij de hogedrukreiniger. ■ Vervang door een nieuwe knoopcelbatterij. ■ Voltooi het koppelen volgens de instructies in de sectie "Korte hogedrukpistool koppelen". ■ Installeer de knoopcelbatterij volgens de instructies in de sectie "De knoopcelbatterij vervangen".

NL

GARANTIE

EGO-GARANTIEBELEID

Ga naar de website egopowerplus.eu voor de volledige algemene voorwaarden van het EGO-garantiebeleid.

LÆS ALLE VEJLEDNINGERNE!



LÆS BRUGSVEJLEDNINGEN

⚠ ADVARSEL: For at sikre sikkerhed og pålidelighed, bør alle reparationer udføres af en kvalificeret servicetekniker.

SIKKERHEDSSYMBOL

DK

Formålet med sikkerheds- symboler er at tiltrække din opmærksomhed på mulige farer. Du skal være meget opmærksom på sikkerhedssymbolerne og forklaringerne til dem og lære at forstå dem. Symbolernes advarsler fjerner ikke i sig selv eventuelle farer. Anvisningerne og advarslerne er ingen erstatninger for ordentlig forebyggelse af ulykker.

⚠ ADVARSEL: Sørg for at læse og forstå alle sikkerhedsanvisninger i denne brugsanvisning, herunder alle sikkerhedssymboler, såsom "**FARE**", "**ADVARSEL**" og "**FORSIGTIG**", før du bruger denne maskine. Hvis anvisningerne nedenfor ikke følges, kan det føre til elektrisk stød, brand og/eller alvorlig personskade.

⚠ ADVARSEL: Risiko for brand og forbrændinger. Må ikke adskilles, opvarmes til over 100 °C eller brændes. Opbevar batteriet utilgængeligt for børn og i originalemballagen, indtil det er klar til brug. Bortskaf straks et opbrugt batteri i overensstemmelse med lokale genbrugs- eller affaldsfor skrifter.

SIKKERHEDSANVISNINGER

Denne side viser og beskriver sikkerhedssymboler, der kan være på dette produkt. Læs, forstå og følg alle anvisninger på maskinen, før du forsøger at samle og betjene.



Sikkerhedsadvarsel



For at mindske risikoen for skader skal brugeren læse brugsanvisningen.



Sprøjt aldrig på dig selv, på andre, dyr, strømkilder eller på selve apparatet.



Dette produkt er i overensstemmelse med gældende EU-direktiver.



Apparatet må ikke sluttes til drikkevandshænen.



Overensstemmelse i Storbritannien



Elektriske affaldsprodukter må ikke bortskaffes sammen med husholdningsaffald. Tag det til en godkendt genbrugsplads.



Vandtryk



Vandstrøm



Driftstemperatur



Jævnstrøm (DC)

kg Kg



Spænding

MPa Megapascal



Celsius

L/min Liter i minuttet

IPX5 Beskyttelse mod vandstråler

⚠ ADVARSEL: Læs og forstå alle vejledningerne for maskinen tages i brug. Hvis du ikke følger alle vejledningerne, der er anført nedenfor, kan det medføre elektrisk stød, brand og/eller alvorlig personskade.

⚠ ADVARSEL: Der dannes muligvis aerosoler under brug af højtryksrensere. Indånding af aerosoler kan være sundhedsfarlig.

⚠ ADVARSEL: Højtryksstråler kan være farlige, hvis de bruges forkert. Strålen må ikke rettes mod personer, strømførende elektrisk udstyr eller selve maskinen.

⚠ ADVARSEL: Maskinen må ikke bruges inden for rækkevidde af andre personer, medmindre de har beskyttelsesbeklædning på.

⚠ ADVARSEL: Højtryksrenseren må ikke bruges til at rengøre tøj eller fodtøj på dig selv eller andre personer.

⚠ ADVARSEL: Risiko for eksplosion - Sprøjt ikke med brandfarlige væsker.

⚠ ADVARSEL: Højtryksrensere må ikke bruges af børn eller uuddannet personale.

⚠ ADVARSEL: Højtryksslanger, spændingsdele og koblere er vigtige for maskinens sikkerhed.

⚠ ADVARSEL: Vand, der har strømmet gennem tilbageløbssikringer, anses for at være udrikkeligt.

⚠ ADVARSEL: Maskinen må ikke bruges, hvis vigtige dele af maskinen beskadiges, f.eks. sikkerhedsanordningerne, højtryksslangerne, trykpistolen.

⚠ ADVARSEL: Afhængigt af opgaven, er det muligt at bruge afskærmede dyser til højtryksrensning, så udledning af vandfri aerosoler reduceres betydeligt. Men det er ikke muligt, at bruge sådan en enhed til alle opgaver. Hvis afskærmede dyser ikke kan bruges til beskyttelse mod aerosoler, skal du bruge en maske i klassen FFP 2 eller tilsvarende, afhængigt af rengøringsmiljøet.

- Denne maskine er ikke beregnet til brug af personer (herunder børn) med fysiske, sensoriske eller mentale begrænsninger eller med utilstrækkelig erfaring og viden. Børn bør overvåges, for at sikre, at de ikke leger med apparatet.
- Du skal vide, hvordan du hurtigt stopper produktet og blødningsstrykket. Gør dig bekendt med styreknappe.
- Forhindre utilsigtet start. Sørg for, at tænd/sluk-knappen er slukket, inden batteriet sættes på, og inden apparatet løftes op eller bæres rundt. Hvis apparatet bæres med fingeren på kontakten, eller oplades med tænd/sluk-knappen tændt, øger det risikoen for ulykker.

- Vær altid opmærksom på faren ved højtryksrenserens reaktionskraft og sprøjtepistolens pludselige drejningsmoment, når den startes.
- Apparatet og batteriet må ikke udsættes for høje temperaturer.
- Husk på at terminalerne på det batteridrevne apparat og på batteriet kan kortsluttes af metalgenstande.
- Genopladelige batterier skal tages ud af apparatet, inden de oplades.
- Forskellige slags batterier, og nye og brugte batterier må ikke bruges sammen.
- Opbrugte batterier skal tages ud af apparatet og bortskaffes sikkert.
- Hvis apparatet ikke skal bruges i længere tid, skal batterierne tages ud.
- Brug ikke batterier, der ikke er genopladelige, i stedet for genopladelige batterier.
- Brug ikke ændrede eller beskadigede batterier.
- **Produktet må kun bruges med de angivne batteripakker og opladere.**

Gem disse vejledninger. Brug dem regelmæssigt, og brug dem til at instruere andre, der skal bruge denne maskine. Hvis du låner denne maskine ud til andre personer, skal disse vejledninger følge med, så produktet ikke bruges forkert, hvilket kan føre til personskader.

DK

SPECIFIKATIONER

Spænding	56 V
Maksimalt nominelt tryk	135 Bar
Maksimalt nominelt strøm (med røret med lynkobligen og stangen af rustfrit stål forbundet)	6,5 L/min
Maksimal nominel strøm (kun med trykpistolen monteret)	9,5 L/min
Pistolens maksimale tryk:	250 bar
Pistolens maksimale strøm:	30 L/min
Vægt (uden batteri)	16,8 kg
Anbefalet driftstemperatur	5°C – 40°C
Anbefalet opbevaringstemperatur	-20°C – 70°C
Målt lydeffektniveau L _{WA}	84 dB(A) K=1,8 dB(A)

Lydtryk ved brugerens øre L_{PA}	72 dB(A) K=3 dB(A)
Garanteret lydeffektniveau L_{WA} (målt i henhold til direktiv 2000/14/EF)	86 dB(A)
Vibration a_n	3,6 m/s ² K=0,9 m/s ²

- Den samlede erklærede vibrationsværdi er målt i overensstemmelse med en standard testmetode, og den kan bruges til at sammenligne et værktøj med et andet;
- Den samlede angivne vibrationsværdi kan også bruges ved en foreløbig vurdering af eksponeringen.

BEMÆRK: Vibrationsemissionen ved faktisk brug af elværktøjet kan afvige fra den angivne værdi, hvor værktøjet bruges. For at beskytte brugeren, skal brugeren bruge handsker og høreværn i de faktiske brugsforhold.

ANBEFALET TILBEHØR

⚠ ADVARSEL: Brug kun tilbehøret, der er anført nedenfor. Hvis der bruges tilbehør, der ikke opfylder de oprindelige deles specifikationer, kan det påvirke apparatets ydeevne og sikkerheden.

NAVN PÅ DELEN	MODELNUMMER
Premium skumpistol	AFC2000E
Turbomundstykke	ANZ2000E-T
15° mundstykke	ANZ2015E
25° mundstykke	ANZ2025E
40° mundstykke	ANZ2040E
Skyllmundstykke	ANZ2000E-R

LISTE OVER DELE (FIG. A1)

BESKRIVELSE

GØR DIG BEKENDT MED DIN HØJTRYKSSRENSER (fig. A1)

- Teleskophåndtag
- Knap til lås af håndtag
- Øvre beslag
- Hjul (x2)
- Nedre beslag
- Vandindløb
- Vandudløb
- Hastighedsknap

76

HØJTRYKSSRENSER MED 56V LITIUM-ION-BATTERI - HPW2000E

- Hastighedsindikator
- Tænd/sluk-knap
- Kammer til batteripakke
- Kammer til dyser
- Dæksel til kammeret til batteripakken
- Elektriske kontakter
- Udløsermekanisme
- Knap til frigørelse af batteri
- Skulderrem til slange
- Stang af rustfrit stål
- Rør med lynkobling
- Højtryksslange
- Sifonslange
- Lynkoblingssæt (x2)
- Skumpistol
- Filter
- Nul til rengøring af dyse
- Skylledyse
- 40° Dyse
- 25° Dyse
- 15° Dyse
- TURBO-dyse
- Trykpistol
- Batteridæksel
- Brændstofmåler med 5 lysindikatorer
- Hastighedsindikator
- Hastighedsknap
- Pistolhåndtag
- Aftrækker
- Låseknap

SAMLING

MONTERING AF BESLAGSSAMLINGEN (fig. B)

B-1	Øvre beslag	B-2	Nedre beslag
B-3	Skruer		

MONTERING AF HØJTRYKSSLANGEN (fig. C - fig. D)

Højtryksslangen kan forbindes på en af følgende måder:

- Sæt højtryksslangen på vandudløbet og pistolen med gevind-forbindelserne (fig. C1 - fig. C2);
- Sæt højtryksslangen på vandudløbet og på pistolen med lynkoblingssættet, så de nemt kan sættes på og tages af (fig. D1 - fig. D2).

BEMÆRK: Lynkoblingssættet er sat på vandudløbet, højtryksslangen og pistolen fra fabrikken.

MONTERING AF RØRET OG STANGEN

(fig. E1 - fig. E2)

For at adskille dem, skal du skrue stangen af røret og derefter trække den ud. Løsn knoppen på røret og træk derefter den ydre ring på pistolens lynkobling tilbage, hvorefter røret kan trækkes ud.

⚠ ADVARSEL: Hold altid pistolen med den ene hånd og røret med den anden hånd, når røret tages af pistolen. Hvis røret ikke virker ordentligt, kan det føre til personskader.

MONTERING AF EN DYSE (fig. F1/fig. F2)

BEMÆRK: Dyserne kan ikke sættes på røret.

- Sæt enten 15° dysen, 25° dysen, 40° dysen eller Turbo-dysen på stangen (fig. F1).

F1-1	15° Dyse	F1-2	25° Dyse
F1-3	40° Dyse	F1-4	TURBO-dyse

- Skylledysen sættes direkte på pistolen (fig. F2).

F2-1	Skylledyse
------	------------

⚠ ADVARSEL: Hold altid pistolen med den ene hånd og dysen med den anden hånd, når du tager dysen af pistolen. Hvis dysen springer ud, kan det føre til personskader.

I nedenstående tabel kan du se den rigtige dyse til jobbet.

Valg af dyse	Brug
Gul 15° dyse	Rengøring små metal-, beton- eller træoverflader.
Grøn 25° dyse	Rengør større metal-, beton- eller træoverflader.
Hvid 40° dyse	Rengøring af brede metal-, beton-, træ- eller vinyloverflader.
Grå skylledyse	Skyning af køretøjer. Skyning af vaskemiddel af metal-, beton-, træ- eller vinyloverflader.
Turbodyse	Rengør kun hårde overflader. For at undgå skader på overfladerne, må apparatet ikke bruges på biler eller træoverflader.

MONTERING AF SKUMPISTOLEN (fig. G)

Skumpistolen sættes direkte på pistolen.

For at afbryde den, skal du trække den ydre ring på lyngkoblingen tilbage, hvorefter skumpistolen kan trækkes ud.

MONTERING AF SIFONSLANGEN (fig. H1 - fig. H2)

Hvis du bruger en spand med vand (medfølger ikke) som vandkilde, skal du sættes sifonslangen på højtryksrenseren.

BEMÆRK: Fyld spanden op på forhånd, så det ikke flyder over, når filteret puttes i vandet.

TILSLUTNING TIL EN HAVESLANGE (MEDFØLGER IKKE)

Hvis du bruger vandhanen (medfølger ikke) som vandkilde, skal højtryksrenseren forbindes til en haveslange (medfølger ikke).

BETJENING

BRUG

Du kan bruge dette produkt til de formål, der er nævnt nedenfor:

- Rengøring af skidt på biler, vægge, gulve osv.

PÅSÆTNING / AFTAGNING BATTERIPAKKEN

Produktet må kun bruges med EGO's batteripakker og opladere, der er anført i fig. A2.

Du kan finde flere oplysninger i de tilhørende batteripakker og opladervejledninger.

Lad batteriet helt op inden første brug.

BEMÆRK: Hvis du bruger en batteripakke, kan TURBO-hastigheden ikke bruges. For optimal drift, anbefales det at bruge to batteripakker på mindst 5,0 Ah.

1. Åbn batterirummets dæksel, ved at løfte foran på dækslet.
2. **For at sætte batteriet i,** skal du sætte batteriets riller mod monteringsrillerne. Tryk derefter batteriet ned, indtil du hører et »klik«. Sæt det andet batteri i (fig. I1).
3. **For at tage batteriet ud,** skal du trykke på knappen til batteriudløseren, og træk batteripakken ud (fig. I2).

I2-1	Batteriudløserknap
------	--------------------

4. Luk dækslet til batterirummet.

DK

SÅDAN STARTES/STOPPES HØJTRYKSENSENEREN (fig. J)

Sådan startes højtryksenenser

BEMÆRK: Højtryksenenser må ikke startes uden vandforsyning tilsluttet og tændt. Dette kan beskadige højtryksforseglinger og reducere pumpens levetid.

1. Sørg for at sifonslangen, højtryksslangen, pistolen og dysen er sat ordentligt på.
2. Sæt røret, stangen, skumpistolen, filteret på efter behov.
3. Vælg en af nedenstående vandforsyningsmåder:
 - Hvis du bruger en haveslange (medfølger ikke), skal du forbinde højtryksenenser til haveslangen og derefter åbne vandhanen.
 - Hvis du bruger en vandspand, skal du sættet filteret på sifonslangen og derefter sænke filteret og lynkoblingsleddet helt ned i spanden med vand.
4. Sæt batteripakkerne i.
5. Tryk på tænd/sluk-knappen for at tænde højtryksenenser. Højtryksenenser kører altid på høj hastighed, hver gang den startes.

BEMÆRK: Hvis højtryksenenser ikke bruges, når den er tændt, slukker den automatisk efter 5 minutter på standby. Hastighedsindikatorens tre grønne lys blinker på højtryksenenser i de første par minutter, hvor den er på standby, hvilket betyder at der ikke strømmer vand ind i sifonslangen.

6. Hold pistolen med begge hænder, lås låseknappen op og tryk derefter på aftrækkeren, indtil apparatet sprøjter med en konstant vandstrøm.

BEMÆRK: Hvis røret er sat på, skal du holde pistolen med den ene hånd og røret med den anden hånd.

7. Start efter opgaven.

BEMÆRK: Det kan tage lidt tid, før vandet suges fra kilden og kommer ud af dysen i en stabil vandstrøm. For hurtigt at få en stabil vandstrøm, kan du:

- a. Tag dysen af.
- b. Tryk på aftrækkeren, og vent, indtil en jævn vandstråle kommer ud af stangen.
- c. Slip aftrækkeren, og sæt dyserne på igen.

Sådan stoppes højtryksenenser

1. Når du er færdig med at bruge apparatet, skal du slippe aftrækkeren og trykke på låseknappen for at låse den.
2. Tryk på tænd/sluk-knappen for at slukke højtryksenenser.
3. Luk vandhanen, eller tag sifonslangen ud af spanden med vand.
4. Tryk på låseknappen på pistolen og lås den op. Tryk derefter på aftrækkeren for at tømme slangerne for vand.

BEMÆRK: Pistolen, slangerne, stængerne, dyserne og skumpistolen må ikke tages af, så længe der er vand i slangerne.

5. Afbryd og fjern pistolen, slangerne, stængerne, dyserne og skumpistolen.
6. Tryk på tænd/sluk-knappen for at tænde højtryksenenser og tømme den for vand.
7. Tryk på tænd/sluk-knappen igen for at slukke højtryksenenser.
8. Tag batteripakkerne ud.

FJERNBETJENING

Pistolen kan parres med højtryksenenser og bruges som en fjernbetjening.

Parring af trykpistolen (fig. K)

1. Sæt batteripakkerne i og tænd højtryksenenser.
2. Hold hastighedsknappen på højtryksenenser nede, indtil dens tre grønne lys begynder at blinke.

BEMÆRK: Lyset blinker i ca. 20 sekunder. Pistolen kan kun parres i denne periode. Du kan altid trykke på hastighedsknappen på højtryksenenser for at afslutte parringstilstanden.

3. Hold hastighedsknappen på pistolen nede, indtil dens tre grønne lysindikatorer begynder at blinke, hvilket betyder at parringen er startet.

BEMÆRK: Det blinkende parringslys lyser i ca. 10 sekunder. Du kan altid trykke på hastighedsknappen på pistolen for at afslutte parringen.

4. Tre grønne lys lyser i 3 sekunder på hastighedsindikatorerne på højtryksenenser og pistolen for at vise at enhederne er parret. Herefter lyser to grønne lys.
5. Hvis parringen mislykkedes, blinker tre grønne lys på hastighedsindikatorerne på højtryksenenser og pistolen, hvorefter de går ud.

Brug af fjernbetjeningen

Når enhederne er parret, skal du trykke en gang på hastighedsknappen på pistolen, hvorefter 5 brændstofmåler-indikatorer og hastighedsindikatoren lyser. Tryk på hastighedsknappen igen for at ændre hastigheden.

BEMÆRK:

- Lyset i de 5 brændstofmåler-indikatorer og hastighedsindikatoren går ud, hvis pistolens hastighedsknap ikke bruges inden for 10 sekunder.
- Lyset i de 5 brændstofmåler-indikatorer viser batteristrømmen. Når du har sat to batteripakker i, vises batteristrømmen på batteriet med mest strøm.
- Hastighedsindikatoren på pistolen synkroniseres altid med hastighedsindikatoren på højtryksrenseren.

HASTIGHEDSKNAP

- Højtryksrenserens hastighed kan justeres med hastighedsknappen enten på højtryksrenseren eller den parrede pistol.
- Højtryksrenserens hastighed kan justeres, når den tændes og når den bruges til at sprøjte med.
- Hver gang der trykkes på hastighedsknappen, skifter hastigheden mellem høj hastighed, TURBO-hastighed og lav hastighed. Hastighedsindikatoren lyser med et, to eller tre grønne lys for at vise at højtryksrenseren kører med enten lav hastighed, høj hastighed eller TURBO-hastighed.

BEMÆRK: Når der kun sidder en batteripakke i apparatet, er det ikke muligt at TURBO-hastigheden, og hver gang hastighedsknappen trykkes, skifter hastigheden mellem høj og lav hastighed.

BEMÆRK: Hvis højtryksrenseren fortsætter med at køre på TURBO-hastigheden, bruges batteristrømmen hurtigere.

RENGØRING MED VASKEMIDDEL

ADVARSEL: Brug kun rengøringsmidler, der er beregnet til brug med højtryksrenser. Overhold påførings-, bortskaffelses- og sikkerhedsanvisningerne fra vaskemiddelproducenten.

- Drej flasken med skumpistolen mod uret, og tag den af (fig. L1).
- Hæld vaskemidlet i flasken.

BEMÆRK: Vaskemiddelets temperatur må ikke komme over 60 °C.

- Sæt skumpistolen på igen, og forbind den til pistolens lynkobling.
- Drej vaskemiddelknappen for at justere mængden af vaskemiddel, der tilsættes vandstrømmen i henhold til dine behov (fig. L2).

VEDLIGEHOLDELSE

ADVARSEL: For at undgå alvorlig personskade, skal du tage batteripakken ud af produktet før service, rengøring, udskiftning af tilbehør, og før der fjernes noget fra apparatet.

GENEREL VEDLIGEHOLDELSE

Undgå, at bruge opløsningsmidler til rengøring af plastdele. De fleste plastmaterialer risikerer at blive ødelagt, ved brug af forskellige slags alment tilgængelige opløsningsmidler. Brug rene klude til at fjerne snavs, støv, olie, fedt, osv.

ADVARSEL: Lad aldrig bremsevæske, benzin, oliebaseerede produkter, indtrængende olier osv. komme i kontakt med dele af plastic. Kemikalier kan beskadige, svække og ødelægge plastic, hvilket kan føre til alvorlige personskader.

ADVARSEL: For at reducere risikoen for brand, personskade og produktskade på grund af kortslutning, må maskinen, batteripakken eller opladeren aldrig nedsænkes i væske. Undgå også at væske trænger ind i dem. Etsende eller ledende væsker, såsom havvand, bestemte industrikemikalier og blegemidler eller blegemiddelholdige produkter osv. kan kortslutte produktet.

UDSKIFTNING AF MØNTBATTERIET (fig. M1&M2)

ADVARSEL: De skal holdes utilgængeligt for børn. Indtagelse kan føre til livsfarlige kemiske forbrændinger og perforering af blødt væv. Alvorlige forbrændinger kan forekomme inden for 2 timer af indtagelsen. Hvis dette sker, skal du straks søge lægehjælp.

BEMÆRK: Batteriet må aldrig trykkes direkte ind i rummet (fig. M3). Dette kan beskadige de to klemmer, så pistolens fjernbetjening ikke virker.

M3-1	Klemmer
------	---------

BEMÆRK: Reparer pistolen med højtryksrenseren, når møntbatteriet er blevet skiftet ved at følge instruktionerne i afsnittet „Parring af trykpistolen“.

DK

RENGØRING AF FILTRENE

- Skru knoppen af vandindløbet, og tag den af. Tag derefter metalfiltret ud af vandindløbet, skyl det eller skift det med et nyt, hvis nødvendigt (fig. N1).

N1-1	Metalfilter
------	-------------

- Tag filteret ud af sifonslangen, skru filteret af og skyl det grundigt (fig. N2).

RENGØRING AF DYSERNE (fig. O)

Hvis hullerne i dyserne tilstoppes, kan du bruge den medfølgende nål til at stikke i hullerne og fjerne det tilstoppede skidt.

DK

TRANSPORT AF HØJTRYKSRENSEREN (fig. P)

Tryk på håndtagets låseknap, og træk derefter teleskophåndtaget ud til det første længdetrin, indtil du hører et „klik“. Du kan også trykke på håndtagets låseknap og derefter trække teleskophåndtaget ud til det andet længdetrin.

OPBEVARING AF HØJTRYKSRENSEREN

1. Stop højtryksrenseren, frigiv trykket, tøm vandet og tag batteripakken ud af højtryksrenseren ved at følge instruktionerne i afsnittet „**Sådan stoppes højtryksrenseren**“.
2. Opbevar dyserne i højtryksrenserens kammeret til dem på højtryksrenseren (fig. Q1).
3. Rul højtryksslangen op, og opbevar den bag teleskop-håndtaget (fig. Q2).
4. Opbevar pistolen, røret og stangen i beslagene, eller tag pistolen ud og opbevar den i beslagene foroven (fig. Q3).
5. Rengør højtryksrenseren grundigt, inden den opbevares.
6. Opbevar højtryksrenseren på et tørt og godt ventileret sted, der er låst og utilgængeligt for børn. Højtryksrenseren må ikke opbevares på eller ved siden af kunstgødning, benzin eller andre kemikalier.

Beskyttelse af miljøet



Elektrisk udstyr, batterioplader og batterier må ikke smides ud sammen med almindelig husholdningsaffald! Tag dette produkt til en autoriseret genbrugsplads, og sørg for at det sendes til genbrug. Elektriske værktøjer skal bortskaffe på en genbrugsplads.

FEJLFINDING

PROBLEM	ÅRSAG	LØSNING
Højtryksrenseren tænder ikke.	<ul style="list-style-type: none"> ■ Batteripakken er løbet tør for strøm. ■ Batteripakken er ikke sat rigtigt i. 	<ul style="list-style-type: none"> ■ Oplad batteripakken. ■ Tryk batteripakken ind i batterirummet, indtil den klikker på plads.
TURBO-hastigheden kan ikke bruges.	<ul style="list-style-type: none"> ■ Der bruges kun en batteripakke i højtryksrenseren. 	<ul style="list-style-type: none"> ■ Brug to batteripakker på mindst 5,0 Ah hver.
Højtryksrenserpumpen holder op med at køre, og tre grønne lys blinker på hastighedsindikatoren på højtryksrenseren.	<ul style="list-style-type: none"> ■ Højtryksrenseren eller batteripakkerne er overophedet. ■ Dysen er tilstoppet. ■ Der strømmer ikke vand ind i sifonslangen. ■ Batteripakken er løbet tør for strøm. ■ Andre elektroniske fejl. 	<ul style="list-style-type: none"> ■ Vent, indtil højtryksrenseren eller batteripakkerne køles ned til driftstemperaturen, hvorefter du kan starte højtryksrenseren igen. ■ Brug nålen til at stikke gennem hullerne, så du fjerner skidtet. ■ Kontroller sifonslangen og sørg for, at vandet strømmer ind i den. ■ Oplad batteripakken. ■ Kontakt EGO's kundeservice.
Vandstrømmen er lav under sprøjtning.	<ul style="list-style-type: none"> ■ Filteret er delvist tilstoppet. ■ Metalfiltret i vandindløbet er delvist tilstoppet. ■ Filteret og lynkoblingsleddet på sifonslangen er ikke helt under vand. ■ Sifonslangen er bøjet. ■ Vandet er beskidt. ■ Højtryksslangen er tilstoppet. 	<ul style="list-style-type: none"> ■ Rengør filteret. ■ Tag metalfiltret ud og rengør det. ■ Sænk filteret og lynkoblingsleddet helt ned i vandet. ■ Ret sifonslangen op eller skift den. ■ Brug kun rent vand. ■ Tag dysen af, og sprøjt derefter med vand fra slangen så den renses.

DK

PROBLEM	ÅRSAG	LØSNING
Apparatet sprøjter ikke vand ud.	<ul style="list-style-type: none"> ■ Der er ingen vandforsyning. ■ Filteret er helt tilstoppet. ■ Metafiltret i vandindløbet er helt tilstoppet. ■ Dysen er tilstoppet. ■ Pumpen, slangerne eller andre dele er frosne. 	<ul style="list-style-type: none"> ■ Sørg for at højtryksrenseren er ordentligt forbundet til vandforsyningen. ■ Rengør filteret. ■ Tag metafiltret ud og rengør det. ■ Brug nålen til at stikke gennem hullerne, så du fjerner skidtet. ■ Vent, indtil de tør op.
Vandstrømmen er ikke stabil.	<ul style="list-style-type: none"> ■ Luft strømmer ind i højtryksrenseren. ■ Pumpepakningen er slidt. 	<ul style="list-style-type: none"> ■ Kontroller sifonslangen og sørg for, at den er ordentligt forbundet. ■ Kontakt EGO's kundeservice.
Vandsprøjtningen starter eller stopper automatisk.	<ul style="list-style-type: none"> ■ Højtryksslangen er beskadiget. ■ Pistolen lækker vand. ■ Pumpepakningerne, slangepakninger er slidt. 	<ul style="list-style-type: none"> ■ Udskift med ny højtryksslange. ■ Kontakt EGO's kundeservice. ■ Kontakt EGO's kundeservice.
Pistolen kan ikke styre højtryksrenseren.	<ul style="list-style-type: none"> ■ Pistolen er uden for det trådløse forbindelsesområde. ■ Møntbatteriet er løbet tør for strøm. ■ Pistolen er ikke ordentligt parret. ■ Møntbatteriet er sat rigtigt i. 	<ul style="list-style-type: none"> ■ Brug pistolen tættere på højtryksrenseren. ■ Skift møntbatteriet med et nyt. ■ Par enhederne igen, som beskrevet i instruktionerne i afsnittet „Parring af trykpistolen“. ■ Sæt møntbatteriet rigtigt i, som beskrevet i instruktionerne i afsnittet „UDSKIFTNING AF MØNTBATTERIET“.

GARANTI

EGO GARANTI POLITIK

Besøg venligst hjemmesiden egopowerplus.eu for fuldstændige vilkår og betingelser for EGO's garantipolitik.

LÄS IGENOM ALLA INSTRUKTIONER!



LÄS IGENOM BRUKSANVISNINGEN

⚠️ VARNING: För att garantera en säker och pålitlig användning måste alla reparationer utföras av en kvalificerad servicetekniker.

SÄKERHETSSYMBOL

Syftet med säkerhetssymboler är att uppmärksamma eventuella faror. Säkerhetssymbolerna och förklaringarna av dessa kräver din fullständiga uppmärksamhet och förståelse. Symbolvarningarna i sig eliminerar inte några faror. Instruktionerna och varningarna som ges är inte något substitut för korrekta åtgärder för förhindrande av olyckor.

⚠️ VARNING: Ar noga med att läsa igenom och förstå alla säkerhetsinstruktioner i denna bruksanvisning, inklusive alla varningssymboler såsom **“FARAR”**, **“VARNING”**, och **“FÖRSIKTIGHET”** innan maskinen används. Underlåtenhet att läsa alla instruktioner som listas nedan kan resultera i elektrisk stöt, brand och/eller allvarlig personskada.

⚠️ VARNING: Risk för brand och brännskador. Montera inte isär, värme över 100 °C och kan brinna upp. Håll batteriet utom räckhåll för barn och i sin originalförpackning tills den är redo att användas. Kassera förbrukade batterier enligt lokala återvinnings- och avfallsregler.

SE

SÄKERHETSINSTRUKTIONER

På den här sidan visas och beskrivs säkerhetssymboler som kan förekomma på produkten. Läs igenom, förstå och följ alla instruktioner på maskinen innan försök görs att montera och hantera den.



Säkerhetslarm



För att minska risken för skador måste användaren läsa bruksanvisningen.



Spruta aldrig på dig själv, andra personer, djur, strömkällor eller själva enheten.



Denna produkt är i enlighet med gällande EG-direktiv.



Anslut inte till dricksvattennätet.



Brittisk överensstämmelse bedömd



Förbrukade elektriska produkter får inte kastas i hushållssoporna. Lämnas in till en auktoriserad återvinningsstation.



Vattentryck



Vattenflöde



Driftstemperatur



Likström

kg Kilogram

V Spänning

MPa Megapascal

°C Celsius

L/min Liter per minut

IPX5 Skydd mot vattenstrålar

⚠ VARNING: Läs och förstå alla instruktioner innan du använder maskinen. Underlåtenhet att följa alla instruktioner som listas nedan kan resultera i elektriska stötar, brand och/eller allvariga personskador.

⚠ VARNING: Vid användning av högtryckstvättar kan aerosoler bildas. Inandning av aerosoler kan vara skadligt för hälsan.

⚠ VARNING: Högtrycksstrålar kan vara farliga om de används felaktigt. Strålen får inte riktas mot personer, spänningsförande elektrisk utrustning eller mot själva maskinen.

⚠ VARNING: Använd inte maskinen inom räckhåll för personer som inte bär skyddskläder.

⚠ VARNING: Rikta inte strålen mot dig själv eller andra för att rengöra kläder eller skor.

⚠ VARNING: Explosionsrisk - Spruta inte brandfarliga vätskor.

⚠ VARNING: Högtryckstvättar får inte användas av barn eller utbildad personal.

⚠ VARNING: Högtrycksslangar, rördelar och kopplingar är viktiga för maskinens säkerhet.

⚠ VARNING: Vatten som har runnit genom återströmningsskydd anses vara icke-drickbart.

⚠ VARNING: Använd inte maskinen om viktiga delar av maskinen är skadade, t.ex. säkerhetsanordningar, högtrycksslangar, kort tryckpistol.


⚠ VARNING: Beroende på tillämpningen kan skärnade munstycken användas för högtrycksrengöring, vilket dramatiskt minskar utsläppen av aerosoler från vattenhaltiga ämnen. Det är dock inte alla applikationer som tillåter användning av en sådan anordning. Om skärnade munstycken inte kan användas för att skydda mot aerosoler, kan en andningsmask av klass FFP 2 eller motsvarande behövas, beroende på rengöringsmiljön.

- Denna maskin är inte avsedd att användas av barn eller av personer med fysisk, sensorisk eller mental begränsning eller med inadekvat erfarenhet eller kunskap. Barn bör övervakas så att de inte leker med apparaten.
- Vet hur man stoppar produkten och avlastar trycket snabbt. Gör dig väl förtrogen med reglagen.
- Förebygg oavsiktlig start. Se till att strömbrytaren är i avstängt läge innan ett batteripaket ansluts, plockas upp eller apparaten bärs. Att bära apparaten med fingret på strömbrytaren eller en strömansluten apparat verktyg som är påslagna inbjuder till olyckor.
- Var alltid medveten om faran med reaktionskraften och det plötsliga vridmomentet på sprutanordningen när du använder pistolen.

- Utsätt inte apparaten eller batteriet för höga temperaturer.
- Var uppmärksam på risken för kortslutning av den batteridrivna apparatens eller batteriets poler genom metallföremål.
- Uppladdningsbara batterier måste avlägsnas från apparaten innan de laddas.
- Olika typer av batterier eller nya och begagnade batterier får inte blandas.
- Förbrukade batterier ska tas bort från apparaten och kasseras på ett säkert sätt.
- Om apparaten skall förvaras utan att användas under en lägre period skall batterierna tas bort.
- Använd inte icke uppladdningsbara batterier i stället för uppladdningsbara batterier.
- Använd inte modifierade eller skadade batterier.
- **Får endast användas med specificerade batteripaket och laddare.**

Spara dessa instruktioner. Läs igenom dem regelbundet och använd dem för att instruera andra som kan komma att använda denna maskin. Om du lånar ut denna maskin till någon, se även till att låna ut dessa instruktioner för att förhindra felaktig användning och eventuella personskador.

SPECIFIKATIONER

Spänning	56 V 
Maximalt nominellt tryck	135 Bar
Maximalt nominellt flöde (med snabbkopplingslans och rostfritt stålror anslutna)	6,5 L/min
Maximalt nominellt flöde (med endast kort tryckpistol ansluten)	9,5 L/min
Begränsat maximalt tryck för pistol	250 Bar
Begränsat maximalt flöde för pistol	30 L/min
Vikt (utan batteripaket)	16,8 kg
Rekommenderad drifttemperatur	5 °C – 40 °C
Rekommenderad förvaringstemperatur	-20 °C – 70 °C
Uppmätt ljudeffektnivå L_{WA}	84 dB(A) K=1,8 dB(A)

Ljudtrycksnivå vid operatörens öra L_{PA}	72 dB(A) K=3 dB(A)
Garanterad ljudtrycksnivå L_{WA} (uppmätt enligt 2000/14/EG)	86 dB(A)
Vibration a_h	3,6 m/s ² K=0,9 m/s ²

- Det deklarerade totala vibrationsvärdet har uppmätts i enlighet med en standardtestmetod och kan användas för att jämföra ett verktyg med ett annat.
- Det deklarerade totala vibrationsvärdet kan också användas i en preliminär utvärdering av exponeringen.

UPPMÄRKSAMMA: Vibrationsutstrålningen under verklig användning av elverktyg kan skilja sig från det deklarerade värdet i vilken verktyget används. För att skydda användaren skall skyddshandskar och hörselskydd användas under faktiska användningsförhållandet.

REKOMMENDERADE TILLBEHÖR

⚠ VARNING: Använd endast tillbehör som listas nedan. Användning av delar som inte uppfyller originaldelarnas specifikationer kan leda till felaktig prestanda och riskera säkerheten.

ARTIKELNAMN	MODELLNUMMER
Premium-skumkanon	AFC2000E
Turbomunstycke	ANZ2000E-T
15° munstycke	ANZ2015E
25° munstycke	ANZ2025E
40° munstycke	ANZ2040E
Spolmunstycke	ANZ2000E-R

FÖRPACKNINGSLISTA (BILD A1)

BESKRIVNING

KÄNN DIN HÖGTRYCKSTVÄTT (bild A1)

1. Teleskophandtag
2. Spindellåsknapp
3. Övre hållarfäste
4. Hjul (x2)
5. Fäste för nedre hållare
6. Inloppsport för vatten
7. Vattenutlopp Port
8. Hastighetsknapp
9. Indikator för hastighet

10. Strömknapp
11. Fack för batteripaket
12. Förvaring a munstycke
13. Lock till batteripaketets fack
14. Elektriska kontakter
15. Utmatningsmekanism
16. Låsknapp för batteriet
17. Axelrem
18. Stav i rostfritt stål
19. Lina med snabbkoppling
20. Högtryckssläng
21. Sugslang
22. Snabbkopplingsatts (x2)
23. Skumkanon
24. Filter
25. Rengöringsnål för munstycket
26. Spolmunstycke
27. 40° munstycke
28. 25° munstycke
29. 15° munstycke
30. TURBOMUNSTYCKE
31. Kort tryckpistol
32. Batteritäckning
33. 5-LED bränslemätare
34. Indikator för hastighet
35. Hastighetsknapp
36. Pistolhandtag
37. Gasreglage
38. Startspärr

SE

MONTERING

MONTERING AV HÅLLARFÄSTET (bild B)

B-1	Övre hållarfäste	B-2	Fäste för nedre hållare
B-3	Skrudar		

ANSLUTNING AV HÖGTRYCKSSLANGEN (bild C - bild D)

Du kan ansluta högtrycksslängen på något av följande sätt:

- Anslut högtrycksslängen direkt till vattenutloppet och pistolen med gängade kopplingar (bild C1- bild C2);
- Anslut högtrycksslängen till vattenutloppet och pistolen med två snabbkopplingar för enkel montering/demontering (bild D1 - bild D2).

NOTERA: Snabbkopplingarna har monterats på vattenutloppsporten, högtrycksslängen och pistolen på fabriken.

ANSLUTNING AV LANS OCH PISTOL (bild E1 - bild E2)

För att koppla loss skruva fast staven från lansen och dra sedan ut den; lossa vredet på lansen och dra sedan tillbaka den yttre ringen på pistolens snabbkoppling för att dra ut lansen.

⚠ VARNING: Håll alltid pistolen med ena handen och lansen med den andra handen när du kopplar loss lansen från pistolen. Personskador kan uppstå om lansen faller ner.

ANSLUTNING AV MUNSTYCKE (bild F1 / bild F2)

NOTERA: Munstyckena kan inte anslutas till lansen.

- Välj 15°-munstycke, 25°-munstycke, 40°-munstycke eller turbomunstycke för montering på staven (bild F1).

F1-1	15° munstycke	F1-2	25° munstycke
F1-3	40° munstycke	F1-4	TURBOMUNSTYCKE

- Sköjlmunstycket ansluts direkt till pistolen (bild F2).

F2-1	Spolmunstycke
------	---------------

⚠ VARNING: Håll alltid pistolen med ena handen och munstycket med den andra handen när du kopplar bort munstycket från pistolen. Personskador kan uppstå om munstycket hoppar ut.

Använd tabellen nedan för att välja rätt munstycke för jobbet.

Val av munstycke	Tillämpningar
Gult 15° munstycke	Rengör små ytor av metall, betong eller trä.
Grönt 25° munstycke	Rengör större ytor av metall, betong eller trä.
Vitt 40° munstycke	Rengör stora ytor av metall, betong, trä eller vinyl.
Grå sköjlmunstycke	Tvätta fordonet. Sköj bort rengöringsmedlet från metall, betong, trä eller vinyl.
Turbomunstycke	Rengör endast hårda ytor. För att undvika ytskador, använd inte på bilar och träytor.

ANSLUTNING AV SKUMKANONEN (bild G)

Skumkanonen är direkt ansluten till pistolen.

För att koppla loss, dra tillbaka den yttre ringen på snabbkopplingen och dra sedan ut skumkanonen.

ANSLUTNING AV SUGSLANGEN (bild H1 - bild H2)

Om du använder en vattenhink (medföljer ej) som vattenkälla, anslut högtryckstvätten till sugslangen.

NOTERA: Förfyll hinken så att filtret inte flyter upp till ytan när det är nedsänkt.

ANSLUTNING TILL TRÄDGÅRDSSLANG (MEDFÖLJER EJ)

Vid användning av vattenkran (medföljer ej) som vattenkälla, anslut högtryckstvätten till en trädgårdsslang (medföljer ej).

DRIFT

ANVÄNDNING

Du kan använda denna produkt för de tillämpningar som listas nedan:

- Rengöring av smuts på bilar, väggar, golv etc.

FÄST/TA LOSS BATTERIPAKETET

Använd endast EGO:s batteripaket och laddare som listas i bild A2.

Se motsvarande batteripaket och laddarmanualer för mer information.

Ladda fullt innan första användning.

NOTERA: Om du använder ett batteripaket kan du inte uppnå **TURBO-hastighet**. För bästa prestanda rekommenderar vi starkt att du använder två batteripaket på 5,0 Ah eller mer.

1. Lyft upp batterifackets lock genom att lyfta framsidan av locket.
2. **Fastsättning,** Rikta in listerna på batteriet med monteringsspåren och tryck sedan ner batteripaketet tills du hör ett "klick". Fäst det andra batteriet (bild I1).
3. **Borttagning,** Tryck in låsknappen för batteriet och dra sedan ut batteripaketet (bild I2).

I2-1	Låsknapp för batteriet
------	------------------------

4. Stäng luckan till batterifacket.

SE

STARTA/STOPPA TRYCKTVÄTTMASKINEN (bild J)

Starta högtryckstvätten

UPPMÄRKSAMMA: Starta inte högtryckstvätten utan att vattentillförseln är ansluten och påslagen. Detta kan skada högtryckstätningarna och förkorta pumpens livslängd.

1. Kontrollera att sugslangen, högtrycksslangen, pistolen och munstycket är korrekt anslutna.
2. Anslut lans, stav, skumkanon, filter enligt dina behov.
3. Välj ett av nedanstående sätt för vattenförsörjning:
 - Om du använder en trädgårdsslang (medföljer ej), anslut högtryckstvätten till trädgårdsslangen och öppna sedan vattenkranen.
 - Om du använder en vattenhink ska du ansluta filtret till sugslangen och sedan sänka ner filtret och snabbkopplingen helt i vattenhinken.
4. Montera batteripaketet(en).
5. Tryck på strömbrytaren för att starta högtryckstvätten. Högtryckstvätten kommer alltid att köras med hög hastighet efter varje start.

NOTERA: När högtryckstvätten är påslagen men ingen ytterligare åtgärd vidtas, stängs den av automatiskt efter 5 minuters standby. Under de första minuterna i standby-läge blinkar hastighetsmätaren på högtryckstvätten med tre gröna lampor, vilket indikerar att inget vatten flödar in i sugslangen.

6. Håll pistolen med båda händerna, tryck på upplåsningssidan av spärrknappen och tryck sedan på avtryckaren tills ett jämnt vattenflöde bildas.

NOTERA: Om lansen är ansluten, håll pistolen med ena handen och lansen med den andra handen.

7. Börja spruttvätta.

NOTERA: Det kan ta lite tid för vattnet att röra sig från källan och komma ut ur munstycket som en jämn sprutning. För att snabbt få ett jämnt vattenflöde kan det vara bra att:

- a. Ta bort munstycket.
- b. Tryck på avtryckaren och vänta tills en jämn vattenström börjar komma ut ur staven.
- c. Släpp avtryckaren och sätt tillbaka munstycket.

Att stoppa högtryckstvätten

1. När tvättningen är klar släpper du avtryckaren och trycker på spärrknappen till låst position.
2. Tryck på strömbrytaren för att stänga av högtryckstvätten.

3. Stäng vattenkranen eller ta bort sugslangen från vattenhinken.
4. Tryck på pistolens spärrknapp till upplåst läge och tryck in avtryckaren för att tömma slangarna på vatten.

UPPMÄRKSAMMA: Pistolen, slangarna, stavarna, munstyckena eller skumkanonen får inte kopplas bort så länge som det finns vatten kvar i slangarna.

5. Koppla loss och ta bort pistolen, slangarna, stavarna, munstyckena eller skumkanonen.
6. Tryck på strömbrytaren för att starta högtryckstvätten och tömma vattnet i högtryckstvätten.
7. Tryck på strömbrytaren igen för att stänga av högtryckstvätten.
8. Ta bort batteripaketet.

FJÄRRKONTROLL

Pistolen kan kopplas ihop med högtryckstvätten för att fungera som en fjärrkontroll.

Koppling av kort tryckpistol (bild K)

1. Sätt i batteripaketet/-batterierna och slå på högtryckstvätten.
2. Håll hastighetsknappen på högtryckstvätten intryckt länge tills de tre gröna lamporna börjar blinka.

NOTERA: Blinkningen varar i ca 20 sekunder, så pistolen kan endast parkopplas under denna tid. Du kan också trycka kort på hastighetsknappen på tvättmaskinen för att när som helst avsluta parkopplingsläget.

3. Lång tryckning på hastighetsknappen på pistolen tills de tre gröna lamporna börjar blinka, vilket betyder att parkopplingsprocessen har startat.

NOTERA: Blinkningen som indikerar parkopplingsprocessen varar i ca 10 sekunder. Du kan när som helst trycka kort på pistolens hastighetsknapp för att avsluta parkopplingsprocessen.

4. Hastighetsmätarna på tvättmaskinen och pistolen visar tre gröna lampor samtidigt i 3 sekunder för att indikera att parkopplingen lyckades och visar sedan två gröna lampor.
5. Om parkopplingen misslyckats blinkar hastighetsindikatorerna på tvättmaskinen och pistolen med tre gröna lampor och släcks sedan.

Använda fjärrkontrollen

När parkopplingen är klar trycker du en gång på hastighetsknappen på pistolen så tänds 5-LED-bränslemätaren och hastighetsindikatorn. Tryck på hastighetsknappen igen för att ändra hastigheten.

SE

NOTERA:

- 5-LED-bränslemätaren och hastighetsindikatorn stängs av när ingen ytterligare åtgärd vidtas på pistolens hastighetsknapp inom 10 sekunder.
- Bränslemätaren med 5 LED-lampor visar batteriets laddningsnivå. När två batteripaket är installerade visar den nivån för det batteripaket som har den högsta laddningen.
- Hastighetsmätaren på pistolen är alltid synkroniserad med hastighetsmätaren på högtrycksvätten.

VALKNAPP HASTIGHET

SE

- Högtrycksvättens hastighet kan justeras med hastighetsknappen på antingen högtrycksvätten eller pistolen.
- Högtrycksvättens hastighet kan justeras när högtrycksvätten är påslagen eller under sprutning.
- Varje gång du trycker på hastighetsknappen växlar hastigheten mellan hög nivå, TURBO-nivå och låg nivå. Hastighetsindikatorn visar en grön lampa, två gröna lampor eller tre gröna lampor för att indikera att högtrycksvätten körs med låg hastighet, hög hastighet eller TURBO.

NOTERA: När endast ett batteripaket är isatt kan TURBO-hastigheten inte uppnås och varje gång du trycker på hastighetsknappen växlar hastigheten mellan hög och låg nivå.

NOTERA: Om högtrycksvätten fortsätter att arbeta med TURBO-hastighet kan körtiden per laddning påverkas.

RENGÖRING MED RENGÖRINGSMEDEL

⚠ VARNING! Använd endast rengöringsmedel som är särskilt avsedda för högtrycksvättar. Följ tvättmedelstillverkarens anvisningar för användning, avfallshantering och säkerhet.

1. Vrid skumkanonens flaska moturs och ta bort den (bild L1).
2. Häll tvättmedel i flaskan.

UPPMÄRKSAMMA: Tvättmedlets temperatur får inte överstiga 60 °C.

3. Byt ut skumkanonen och anslut den till pistolens snabbkoppling.
4. Vrid på vredet för rengöringsmedel för att justera mängden tvättmedel som tillsätts vattenflödet efter dina behov (bild L2).

UNDERHÅLL

⚠ VARNING! För att förhindra allvarliga personskador ska du ta ut batteripaketet före service, rengöring, ändring av tillbehör eller borttagning av material från enheten.

ALLMÄNT UNDERHÅLL

Använd inte lösningsmedel när du rengör plastdelarna. De flesta plaster är känsliga för skador från olika typer av kommersiella lösningsmedel och kan skadas av dess användning. Använd en ren trasa för att ta bort smuts, damm, olja, fett osv.

⚠ VARNING! Låt aldrig bromsvätska, bensin, petroleumbaserade produkter, smörjett osv. komma i kontakt med plastdelarna. Kemikalier kan skada, försvaga eller förstöra plast, vilket kan resultera i allvarliga personskador.

⚠ VARNING! För att minska risken för brand, personskador och produktskador på grund av kortslutning får du aldrig sänka ned maskinen, batteriet eller laddaren i vätska eller låta vätska rinna inuti dem. Frätande eller ledande vätskor, t.ex. havsvatten, vissa industrikemikalier, blekmedel eller produkter som innehåller blekmedel, etc., kan orsaka kortslutning.

BYTE AV KNAPPCELLSBATTERIET (bild M1&M2)

⚠ VARNING! Förvaras utom räckhåll för barn. Sväljning kan leda till kemiska brännskador, perforering av mjukvävnad och dödsfall. Allvarliga brännskador kan uppstå inom 2 timmar efter förtäring. Sök omedelbart läkarvård.

OBSERVERA: Tryck aldrig in batteriet direkt i facket (bild M3). I annat fall skadas de två klämmorna, vilket leder till att pistolens fjärrkontroll slutar fungera.

M3-1	Klämmor
------	---------

NOTERA: Parkoppla om pistolen med högtrycksvätten efter att batteriet har bytts ut enligt anvisningarna i avsnittet "Parkoppling av korta högtryckspistoler".

RENGÖRING AV FILTRET

- Skruva loss och ta bort vredet på vattenintagsporten och ta sedan ut metallnätet från vattenintagsporten, skölj metallnätet eller byt ut det vid behov (bild N1).

N1-1	Metallnät
------	-----------

- Ta bort filtret från sugslangen, skruva ut filtret och skölj det sedan noggrant (bild N2).

RENGÖRING AV MUNSTYCKENA (bild O)

Om munstyckenas hål är blockerade kan du använda den medföljande munstycksrengöringsnålen för att passera genom hålen och avlägsna blockeringen.

TRANSPORT AV HÖGTRYCKSVÄTTEN (bild P)

Tryck på handtagets låsknapp och dra sedan ut teleskophandtaget till den första längdnivån tills du hör ett "klick". Om du vill kan du trycka på handtagets låsknapp och sedan dra ut teleskophandtaget till den andra längdnivån.

FÖRVARING AV HÖGTRYCKSVÄTTEN

1. Stoppa högtrycksvätten, släpp på trycket, töm ut vattnet och ta bort batteripaketet från högtrycksvätten enligt anvisningarna i avsnittet "**Stoppa högtrycksvätten**".
2. Förvara munstyckena i munstycksförvaringen på högtrycksvätten (bild Q1).
3. Rulla upp högtrycksslangen och förvara den bakom teleskophandtaget (bild Q2).
4. Förvara pistolen, lansen och staven i hållarfästena eller koppla loss pistolen och förvara den i de övre hållarfästena (bild Q3).
5. Rengör högtrycksvätten noggrant innan den ställs undan.
6. Förvara enheten på en torr, välventilerad plats, inlåst eller högt upp, utom räckhåll för barn. Förvara inte högtrycksvätten på eller i anslutning till gödningsmedel, bensin eller andra kemikalier.

Skydda miljön



Kasta inte elektrisk utrustning, använt batteri och laddare i hushållssoporna! Ta denna produkt till en auktoriserad återvinnare och gör den tillgänglig för separat insamling. Elektriska verktyg måste returneras till en miljöanpassad återvinningsanläggning.

SE

FELSÖKNING

SE

PROBLEM	ORSAK	LÖSNING
Högtryckstvätten går inte att starta.	<ul style="list-style-type: none"> ■ Laddningsnivån för batteripaket är låg ■ Batteripaketet är inte korrekt installerat. 	<ul style="list-style-type: none"> ■ Ladda batteripaketet. ■ Skjut in batteripaketet i batterifacket tills det snäpper på plats.
TURBO-hastigheten kunde inte aktiveras.	<ul style="list-style-type: none"> ■ Endast ett batteripaket används för tvättmaskinens drift. 	<ul style="list-style-type: none"> ■ Använd två 5.0Ah eller större Ah batteripaket.
Högtryckstvättens pump slutar att fungera och hastighetsmätaren på högtryckstvätten blinkar med tre gröna lampor.	<ul style="list-style-type: none"> ■ Högtryckstvätten eller batteripaketet/-batterierna har för hög temperatur. ■ Munstycket är blockerat. ■ Inget vatten rinner in i sugslangen. ■ Laddningsnivån för batteripaket är låg ■ Andra elektroniska fel. 	<ul style="list-style-type: none"> ■ Vänta tills högtryckstvätten eller batteripaketet återgått till driftstemperatur och starta sedan om högtryckstvätten. ■ Använd munstyckets rengöringsnål för att passera genom hålen. ■ Kontrollera att vattenflödet i sugslangen är korrekt. ■ Ladda batteripaketet. ■ Kontakta EGO:s kundtjänst.
Vattenflödet är lågt under sprutningen.	<ul style="list-style-type: none"> ■ Filtret är delvis blockerat. ■ Metallnätet i vatteninloppsporten är delvis blockerat. ■ Sugslangens filter och snabbkoppling är inte helt nedsänkt i vatten. ■ Sugslangen är uppvikt. ■ Vattnet är smutsigt. ■ Högtrycksslangen är blockerad. 	<ul style="list-style-type: none"> ■ Rengör filtret. ■ Ta bort och rengör metallnätet. ■ Sänk ned filtret och snabbkopplingen helt i vatten. ■ Vik ut sugslangen eller byt ut den. ■ Använd endast rent vatten. ■ Ta bort munstycket och börja sedan spruta vatten från slangens för att rensa bort blockeringen i slangens.

PROBLEM	ORSAK	LÖSNING
Det sprutar inte ut något vatten.	<ul style="list-style-type: none"> ■ Det finns ingen vattenförsörjning. ■ Filtret är helt blockerat. ■ Metallnätet i vattenintagsporten är helt blockerat. ■ Munstycket är blockerat. ■ Pump, slangar eller andra komponenter har frusit fast. 	<ul style="list-style-type: none"> ■ Kontrollera att högtryckstvätten är korrekt ansluten till vattenförsörjningen. ■ Rengör filtret. ■ Ta bort och rengör metallnätet. ■ Använd munstyckets rengöringsnål för att passera genom hålen. ■ Vänta tills de är tinade.
Vattenflödet är inte stabilt.	<ul style="list-style-type: none"> ■ Luft strömmar in i tvättmaskinen. ■ Pumpens tätningar är slitna. 	<ul style="list-style-type: none"> ■ Kontrollera och säkerställ att sugslangen är korrekt ansluten. ■ Kontakta EGO:s kundtjänst.
Vattensprutningen startar eller stoppas automatiskt.	<ul style="list-style-type: none"> ■ Högtrycksslangen är skadad. ■ Det finns vattenläckage från pistolen. ■ Pump tätningar och slangtätningar är slitna. 	<ul style="list-style-type: none"> ■ Byt ut mot ny högtrycksslang. ■ Kontakta EGO:s kundtjänst. ■ Kontakta EGO:s kundtjänst.
Vapnet kan inte kontrollera högtryckstvätten.	<ul style="list-style-type: none"> ■ Vapnets position ligger utanför den trådlösa anslutningens räckvidd. ■ Knappcells batteriet har låg laddning. ■ Pistolen är inte korrekt kopplad. ■ Knappcells batteriet är inte korrekt installerat. 	<ul style="list-style-type: none"> ■ Placera pistolen närmare högtryckstvätten. ■ Byt ut batteriet mot ett nytt knappcells batteri. ■ Slutför parkopplingen enligt anvisningarna i avsnittet "Parkoppling av korttryckspistol". ■ Installera knappcells batteriet enligt anvisningarna i avsnittet "BYT UT KNAPPCELLSBATTERIET".

SE

GARANTI

EGO GARANTIPOLICY

Besök webbsidan egopowerplus.eu för fullständiga villkor för EGO garantipolicy.

LUE KAIKKI OHJEET!



LUE KÄYTTÖOPAS

VAROITUS: Pätevän huoltoteknikon tulee suorittaa kaikki korjaukset, jotta voidaan taata tuotteen turvallinen ja luotettava käyttö.

TURVALLISUUSSYMBOLI

Turvallisuussymbolien tarkoituksena on kiinnittää huomiota mahdollisiin vaaroihin. Turvallisuussymbolit ja niiden selitykset on syytä lukea tarkkaan ja ymmärtää perusteellisesti. Varoitusymbolit eivät yksin poista vaaran mahdollisuutta. Niiden antamat ohjeet ja varoitukset eivät korvaa kunnollisia onnettomuuksien ehkäisytöimenpiteitä.

FI

VAROITUS: Lue ja ymmärrä tämän käyttöoppaan kaikki turvallisuusohjeet, mukaan lukien turvallisuusvaroitusymbolit, kuten **"VAARA"**, **"VAROITUS"** ja **"HUOMIO"** ennen koneen käyttämistä. Alla olevien ohjeiden noudattamatta jättäminen saattaa aiheuttaa sähköiskun, tulipalon ja/tai vakavan henkilövahingon.

VAROITUS: Tulipalon ja palovammojen vaara. Älä pura, lämmitä yli 100 °C:een tai polta. Pidä akku poissa lasten ulottuvilta ja alkuperäisessä pakkauksessaan, kunnes se on valmis käyttöön. Hävitä käytetyt akut välittömästi paikallisten kierrätys- tai jätesäännösten mukaisesti.

TURVALLISUUSOHJEET

Tällä sivulla kuvataan ja esitellään turvallisuussymbolit, jotka saattavat esiintyä tässä tuotteessa. Lue, ymmärrä ja noudata kaikkia laitteen ohjeita ennen kuin yrität koota sen tai käyttää sitä.



Turvallisuushälytys



Käyttäjän on luettava käyttöopas loukkaantumisvaaran vähentämiseksi.



Älä koskaan suihkuta itseäsi, muita, eläimiä, virtalähteitä tai itse laitetta.



Tämä tuote vastaa sovellettavia EU-direktivejä.



Älä liitä juomavesiverkkoon.



UK Vaatimustenmukaisuus arvioitu



Vanhoja sähkölaitteita ei saa hävittää kotitalousjätteen mukana. Vie laite valtuutettuun kierrätyslaitokseen.



Vedenpaine



Veden virtaus



Käyttölämpötila



Tasavirta

kg

Kilogramma

V

Jännite

MPa

Megapascal

°C

Celsius

L/min

Litraa minuutissa

IPX5 Suojaus vesisuihkuiltä

VAROITUS: Lue ja ymmärrä kaikki ohjeet ennen koneen käyttöä. Alla olevien ohjeiden noudattamatta jättäminen saattaa aiheuttaa sähköiskun, tulipalon ja/tai vakavan henkilökohtaisen vamman.

VAROITUS: Korkeapainepesureita käytettäessä voi muodostua aerosoleja. Aerosolien hengittäminen voi olla vaarallista terveydelle.

VAROITUS: Korkeapainesuihkut voivat olla vaarallisia, jos niitä käytetään väärin. Suihkua ei saa kohdistaa ihmisiin, jännitteisiin sähkölaitteisiin tai itse koneeseen.

VAROITUS: Älä käytä konetta ihmisten lähellä, elleivät he käytä suojavaatetusta.

VAROITUS: Älä suuntaa suihkua itseesi tai muihin vaatteiden tai jalkineiden puhdistamiseksi.

VAROITUS: Räjähdyksenvaaraton – älä suihkuta syttyviä nesteitä.

VAROITUS: Lapset tai kouluttamaton henkilökunta eivät saa käyttää korkeapainepesureita.

VAROITUS: Korkeapaineletkut, -liittimet ja -kytkimet ovat tärkeitä koneen turvallisuuden kannalta.

VAROITUS: Takaisinvirtauksen estäjien läpi virranneen veden katsotaan olevan juomakelvotonta.

VAROITUS: Älä käytä konetta, jos koneen tärkeät osat ovat vaurioituneet, esim. turvalaitteet, korkeapaineletkut, lyhyt painepistooli.

VAROITUS: Käytöstä riippuen korkeapainepesussa voidaan käyttää suojattuja suuttimia, jotka vähentävät vesipitoisia aerosolipäästöjä huomattavasti. Kaikki käytöt eivät kuitenkaan salli tällaisen laitteen käyttöä. Jos suojatut suuttimet eivät suojaa aerosoleilta, voidaan puhdistusympäristöstä riippuen tarvita FFP 2 -luokan tai vastaavan luokan hengityssuojainta.

- Tätä työkalua ei ole tarkoitettu lasten eikä sellaisten henkilöiden käyttöön, joilla on fyysisiä, aistinvaraisia tai henkisiä rajoitteita tai joilla ei ole riittävästä kokemuksesta tai tietoa. Lapsia tulee valvoa, jotta he eivät leiki laitteella.
- Opettele pysäyttämään tuote ja tyhjentämään paine nopeasti. Tutustu koneen säätimiin huolellisesti.
- Estä vahingossa käynnistyminen. Varmista, että kytkin on pois päältä, ennen kuin liität akun, nostat laitteen tai kannat sitä. Laitteen kantaminen niin, että sormesi on kytkimellä, tai laitteeseen virran kytkeminen kytkin päällä, voivat aiheuttaa onnettomuuksia.
- Huomioi aina pistoolin käytön aikana reaktiivoiman ja ruiskutuslaitteeseen kohdistuvan äkillisen vääntömomentin aiheuttama vaara.

- Älä altista laitetta tai akkua liian korkeille lämpötiloille.
- Varo vaaraa, että akkukäyttöisen laitteen tai akun liittimet saattavat joutua oikosulkuun metalliesineiden takia.
- Ladattavat paristot on poistettava laitteesta ennen lataamista.
- Erilaisia paristoja tai uusia ja käytettyjä paristoja ei saa sekoittaa keskenään.
- Tyhjt paristot on poistettava laitteesta ja hävitettävä turvallisesti.
- Paristot on poistettava, jos laitetta säilytetään käyttämättömänä pitkän aikaa.
- Älä vaihda ladattavia paristoja muita kuin ladattaviin paristoihin.
- Älä käytä muunneltuja tai vahingoittuneita paristoja.
- **Käytä vain määritettyjen akkujen ja latureiden kanssa.**

Säilytä nämä ohjeet. Lue ohjeet säännöllisesti ja käytä niitä muiden mahdollisten koneen käyttäjien ohjeistamisessa. Jos lainaat tämän koneen jollekulle muulle, lainaa samalla myös nämä ohjeet tuotteen väärinkäytön ja mahdollisen henkilövahingon estämiseksi.

TEKNISET TIEDOT

Jännite	56 V
Suurin nimellispaine	135 bar
Suurin nimellisvirtaus (pikaliitäntäpistooliin ja ruostumattomasta teräksestä valmistetun sauvan ollessa kytkettyinä)	6,5 l/min
Suurin nimellisvirtaus (kun vain lyhyt painepistooli on kytkettynä)	9,5 l/min
Rajoitettu enimmäispaine pistoolille	250 bar
Rajoitettu enimmäisvirtaus pistoolille	30 l / min
Paino (ilman akkua)	16,8 kg
Suosittelut käyttölämpötila	5–40 °C
Suosittelut säilytyslämpötila	-20–70 °C
Mitattu äänen tehotasoa L_{WA}	84 dB(A) K=1,8 dB(A)
Äänenpaineen taso käyttäjän korvien tasolla L_{PA}	72 dB(A) K=3 dB(A)

Taattu äänen tehotaso L_{WA} (mitattu 2000/14/EY:n mukaisesti)	86 dB(A)
Tärinä a_h	3,6 m/s ² K=0,9 m/s ²

- Ilmoitettu tärinän kokonaispäästöarvo on mitattu standarditestausmenetelmän mukaisesti, ja sen avulla voidaan vertailla työkaluja keskenään;
- Ilmoitettua tärinän kokonaispäästöarvoa voidaan käyttää myös altistumisen alustavaan arviointiin.

HUOMAUTUS: Työkalun käytön aikana mitattu todellinen tärinäpäästöarvo voi poiketa ilmoitetusta kokonaispäästöarvosta työkalun käyttötavasta johtuen; käyttäjän suojaamiseksi tulee käyttää käsiineitä ja kuulosuojaimia varsinaisissa käyttöolosuhteissa.

FI

SUOSITELLUT LISÄVARUSTEET

VAROITUS: Käytä vain alla lueteltuja lisävarusteita. Sellaisten lisävarusteiden käyttö, jotka eivät vastaa alkuperäisiä laitemäärikyksiä, saattaa aiheuttaa vääranlaisen toiminnan ja heikentää turvallisuutta.

OSAN NIMI	MALLIN NUMERO
Premium-vaahtopistooli	AFC2000E
Turbosuutin	ANZ2000E-T
15° suutin	ANZ2015E
25° suutin	ANZ2025E
40° suutin	ANZ2040E
Huuhtelusuutin	ANZ2000E-R

PAKKAUSLUETTELO (KUVA A1)

KUVAUS

TUNNE PAINEPESURISI (kuva A1)

1. Teleskooppinen kahva
2. Kahvan lukituspainike
3. Ylempi pidikekannatin
4. Pyörä (x2)
5. Alempi pidikekannatin
6. Veden sisääntuloaukko
7. Veden poistoaukko
8. Nopeuspainike
9. Nopeuden merkkivalo
10. Virtapainike
11. Akkulokero
12. Suuttimien säilytys

13. Akkulokeron kansi
14. Sähköliitännät
15. Poistomekanismi
16. Akun vapautuspainike
17. Letkunpitimen hihna
18. Ruostumaton terässäuva
19. Pikaliitántävarsi
20. Korkeapaineletku
21. Juoksutusletku
22. Pikaliitinsarja (x2)
23. Vaahtopistooli
24. Suodatit
25. Suuttimien puhdistusneula
26. Huuhtelusuutin
27. 40° suutin
28. 25° suutin
29. 15° suutin
30. TURBO-suutin
31. Lyhyt paineletku
32. Akun kansi
33. 5 LEDin akkutehomittari
34. Nopeuden merkkivalo
35. Nopeuspainike
36. Pistoolin kahva
37. Liipaisin
38. Lukituksen vapautuspainike

KOKOAMINEN

PIDIKEKANNATINKOKOONPANON ASENNUS (kuva B)

B-1	Ylempi pidikekannatin	B-2	Alempi pidikekannatin
B-3	Ruuvit		

KORKEAPAINOLETKUN LIITTÄMINEN (kuvat C–D)

Voit liittää korkeapaineletkun jollakin seuraavista tavoista:

- Liitä korkeapaineletku veden poistoaukkoon ja pistooliin suoraan kierteitettyillä liittimillä (kuvat C1–C2);
- Liitä korkeapaineletku veden ulostuloaukkoon ja pistooliin kahdella pikaliitinsarjalla, jotta asennus/poisto on helppoa (kuvat D1–D2).

HUOMAA: Pikaliitinsarjat on asennettu tehtaalla veden ulostuloaukkoon, korkeapaineletkuun ja pistooliin.

VARREN JA SAUVAN KYTKEMINEN (kuvat E1–E2)

Irrottaminen: kierrä sauva irti varresta ja vedä se sitten ulos; löysää varren nuppia ja vedä sitten pistoolin pikaliitimen ulkokehää taaksepäin pistoolista vetääksesi pistoolin ulos.

VAROITUS: Pidä aina toisella kädellä kiinni pistoolista ja toisella kädellä varresta, kun irrotat varren pistoolista. Henkilövahinkoja voi aiheutua, jos varsi putoaa.

SUUTTIMEN KYTKEMINEN (kuva F1/F2)

HUOMAA: Suuttimia ei voi kytkeä varteen.

- Valitse 15° suutin, 25° suutin, 40° suutin tai Turbo-suutin asennettavaksi sauvaan (kuva F1).

F1-1	15° suutin	F1-2	25° suutin
F1-3	40° suutin	F1-4	TURBO-suutin

- Huuhtelusuutin kytketään suoraan pistooliin (kuva F2).

F2-1	Huuhtelusuutin
------	----------------

VAROITUS: Pidä aina toisella kädellä kiinni pistoolista ja toisella kädellä suuttimesta, kun irrotat suuttimen pistoolista. Jos suutin hyppää irti, seurauksena voi olla henkilövahinko.

Käytä alla olevaa taulukkoa valitaksesi oikean suuttimen työhön.

Suuttimen valinta	Käyttö
Keltainen 15° suutin	Puhdistaa pienet metalli-, betoni- tai puupinnat.
Vihreä 25° suutin	Puhdistaa suuremmat metalli-, betoni- tai puupinnat.
Valkoinen 40° suutin	Puhdistaa laajat metalli-, betoni-, puu- tai vinyyli-pinnat.
Harmaa huuhtelusuutin	Huuhtelee ajoneuvot. Huuhtelee pesuaineen pois metallista, betonista, puusta tai vinyylistä.
Turbo-suutin	Puhdistaa vain kovat pinnat. Älä käytä autoihin ja puupintoihin pintavaurioiden välttämiseksi.

VAAHTOPISTOOLIN KYTKEMINEN (kuva G)

Vaahtopistooli on kytketty suoraan pistooliin.

Irota vetämällä pikaliittimen ulkokehää taaksepäin ja vedä sitten vaahtopistooli ulos.

JUOKSUTUSLETKUN LIITTÄMINEN (kuvat H1-H2)

Kun käytät vesiliähteenä vesiämpäriä (ei mukana), liitä painepesuri juoksutusletkuun.

HUOMAA: Esitäytä ämpäri niin, että upotettu suodatin ei nouse pintaan.

PUUTARHALETKUN (EI MUKANA) LIITTÄMINEN

Kun käytät vesihanaa (ei mukana) vesiliähteenä, liitä painepesuri puutarhaletkuun (ei mukana).

KÄYTTÖ

KÄYTTÄMINEN

Tätä laitetta voi käyttää seuraavassa mainittuihin tarkoituksiin:

- Lian puhdistamiseen autoista, seinistä, latioista jne.

AKUN LIITTÄMINEN/POISTAMINEN

Käytä vain EGO:n akkuja ja latureita, jotka on luettu alla kuvassa A2:

Lisätietoja on vastaavien akkujen ja latureiden käyttöohjeissa.

Lataa täyteen ennen ensimmäistä käyttökertaa.

HUOMAA: Käyttö yhdellä akulla ei mahdollista **TURBO-nopeuden saavuttamista**. Parhaan suorituskyvyn saavuttamiseksi suosittelemme vahvasti kahden 5,0 Ah:n tai sitä tehokkaamman Ah:n akun käyttöä.

- Nosta akkulokeron kansi ylös nostamalla kannen etuosaa.
- Kiinnittäminen** kohdistamalla akun ulokkeet kiinnitysaukkoihin ja painamalla akkua alaspäin, kunnes kuuluu "napsahdus". Kiinnitä toinen akku (kuva I1).
- Irrottaminen** painamalla akun vapautuspainiketta ja vetämällä akku ulos (kuva I2).

I2-1	Akun vapautuspainike
------	----------------------

- Sulje akkulokeron kansi.

PAINEPESURIN KÄYNNISTYS/PYSÄYTYS (kuva J)

Painepesurin käynnistäminen

HUOMAUTUS: Älä käynnistä painepesuria ilman yhdistettyä vedensyöttöä ja päälle kytkemistä. Tämä voi vahingoittaa korkeapainetivisteitä ja lyhentää pumpun käyttöikää.

1. Varmista, että juokсутusletku, korkeapaineletku, pistooli ja suutin on kytketty oikein.
2. Kytke varsi, sauva, vaahtopistooli, suodatin tarpeidesi mukaan.
3. Valitse yksi alla olevista vedensyöttötaivoista:
 - Kun käytät puutarhaletkua (ei mukana), liitä painepesuri puutarhaletkuun ja avaa sitten vesihana.
 - Kun käytät vesiämpäriä, liitä suodatin juokсутusletkuun ja upota suodatin ja pikaliitin kokonaan vesiämpäriin.
4. Aseta akku (akut) paikalleen.
5. Käynnistä painepesuri painamalla virtapainiketta. Pesuri käy aina suurella nopeudella jokaisen käynnistyksen jälkeen.

FI

HUOMAA: Kun painepesuriin on kytketty virta, mutta mitään muita toimenpiteitä ei tehdä, pesuri sammuu automaattisesti 5 minuutin valmiustilan jälkeen. Painepesurin nopeuden merkkivalo vilkkuu kolmena vihreänä valona valmiustilan ensimmäisten minuuttien aikana, mikä osoittaa, että juokсутusletkuun ei virtaa vettä.

6. Pidä pistoolista kiinni molemmilla käsillä, paina lukituspainikkeen lukituksen avauspuolta ja paina sitten liipaisinta, kunnes vesi virtaa tasaisesti.

HUOMAA: Jos varsi on kytketty, pidä toisella kädellä kiinni pistoolista ja toisella kädellä varresta.

7. Aloita suihkulla pesu.

HUOMAA: Voi kestää jonkin aikaa, ennen kuin vesi kulkee lähteestä ja tulee suuttimesta tasaisena suihkuna. Jos haluat saavuttaa tasaisen veden virtauksen nopeasti, voit halutessasi:

- a. Irrottaa suuttimen.
- b. Painaa liipaisinta ja odottaa, kunnes sauvasta alkaa tulla tasainen vesivirta.
- c. Vapauttaa liipaisimen ja asentaa suuttimen takaisin paikalleen.

Painepesurin pysäyttäminen

1. Kun pesu on valmis, vapauta liipaisin ja paina lukituspainike lukitusasentoon.
2. Sammuta painepesuri painamalla virtapainiketta.
3. Sulje vesihana tai poista juokсутusletku vesiämpäristä.
4. Paina pistoolin lukituspainike lukituksen avausasentoon ja paina liipaisinta tyhjentääksesi veden letkuista.

HUOMAUTUS: Pistoolia, letkuja, sauvoja, suuttimia tai vaahtopistoolia ei saa irrottaa niin kauan kuin vettä on letkuissa.

5. Irrota ja poista pistooli, letkut, sauvat, suuttimet tai vaahtopistooli.
6. Käynnistä painepesuri painamalla virtapainiketta, jotta painepesurissa oleva vesi tyhjenee.
7. Sammuta painepesuri painamalla virtapainiketta uudelleen.
8. Poista akku (akut).

ETÄOHJAUS

Pistooli voidaan liittää painepesuriin pariksi toimimaan etäohjaimena.

Lyhyen painepistoolin pariliitos (kuva K)

1. Aseta akku (akut) paikalleen ja käynnistä painepesuri.
2. Paina pitkään painepesurin nopeuspainiketta, kunnes sen kolme vihreää valoa alkavat vilkkua.

HUOMIO: Vilkkuminen kestää noin 20 sekuntia, joten pistoolin voi liittää pariksi vain tänä aikana. Voit myös milloin tahansa poistua pariliitostilasta painamalla lyhyesti painepesurin nopeuspainiketta.

3. Paina pitkään pistoolin nopeuspainiketta, kunnes sen kolme vihreää valoa alkaa vilkkua, mikä tarkoittaa, että pariliitospesessi on alkanut.

HUOMAA: Pariliitoksen muodostamisesta kertova vilkkuminen kestää noin 10 sekuntia. Voit milloin tahansa poistua pariliitostilasta painamalla lyhyesti pistoolin nopeuspainiketta.

4. Pesurin ja pistoolin nopeusilmaisimet näyttävät kolme vihreää valoa yhdessä 3 sekunnin ajan merkiksi siitä, että pariliitos onnistui, ja näyttävät sitten kaksi vihreää valoa.
5. Jos pariliitos on epäonnistunut, pesurin ja pistoolin nopeusilmaisimien kolme vihreää valoa vilkkuvat ja sammuvat sitten.

Etäohjauksen käyttäminen

Kun pariliitos on valmis, paina kerran pistoolin nopeuspainiketta, akkutehomittarin ja nopeusilmaisimen 5 LED-valoa syttyvät. Vaihda nopeutta painamalla nopeuspainiketta uudelleen.

HUOMAA:

- Akkutehomittarin ja nopeusilmaisimen 5 LED-valoa sammuvat, kun pistoolin nopeuspainiketta ei paineta 10 sekunnin kuluessa.

- Akkutehmittarin 5 LED-valoa ilmaisee akun varaustason. Kun kaksi akkua on asennettu, se ilmoittaa sen akun varaustason, jonka varaus on suurempi.
- Pistoolin nopeusilmaisin on aina synkronoitu painepesurin nopeusilmaisimen kanssa.

NOPEUDEN VALINTA

- Painepesurin nopeutta voidaan säätää joko pesurin tai pariksi liitetyn pistoolin nopeuspainikkeella.
- Painepesurin nopeutta voidaan säätää, kun pesuriin kytketään virta tai ruiskutuksen aikana.
- Aina kun nopeuspainiketta painetaan, nopeus vaihtuu korkean tason, TURBO-tason ja alhaisen tason välillä. Nopeuden merkkivalo näyttää yhden vihreän valon, kaksi vihreää valoa tai kolme vihreää valoa osoittaakseen, että painepesuri on käynnissä alhaisella nopeudella, korkealla nopeudella tai TURBO-nopeudella.

HUOMAA: Kun vain yksi akku on asetettu, TURBO-nopeutta ei voida saavuttaa, ja aina kun nopeuspainiketta painetaan, nopeus vaihtuu korkean ja matalan tason välillä.

HUOMAA: Jos painepesuri toimii jatkuvasti TURBO-nopeudella, latauskohtainen käyttöaika voi lyhentyä.

PUHDISTAMINEN PESUAINEEILLA

VAROITUS: Käytä vain pesuaineita, jotka on erityisesti valmistettu painepesureiden käyttöön. Noudata pesuaineen valmistajan antamia käyttö-, hävittämis- ja turvallisuusohjeita.

1. Käännä vaahtopistoolin pulloa vastapäivään ja irrota se (kuva L1).
2. Kaada pesuaine pulloon.

HUOMAUTUS: Pesuaineen lämpötila ei saa ylittää 60 °C.

3. Aseta vaahtopistooli takaisin paikalleen ja liitä se pistooliin pikaliittimeen.
4. Kierrä pesuainesäädintä säätääksesi vesivirtaukseen lisättävän pesuaineen määrää tarpeidesi mukaan (kuva L2).

HUOLTAMINEN

VAROITUS: Vakavan henkilövamman välttämiseksi poista akku tuotteesta ennen kuin huollat tai puhdistat sitä, vaihdat lisäosia tai poistat materiaalia laitteesta.

YLEINEN KUNNOSSAPITO

Vältä liuotainaineiden käyttöä, kun puhdistat muoviosia. Useimmat muovit ovat herkkiä vaurioitumaan erilaisista kaupallisista liuottimista ja voivat vaurioitua niiden käytöstä. Poista lika, pöly, öljy, rasva ym. puhtaalla liinalla.

VAROITUS: Älä koskaan anna jarrunesteiden, bensiinin, öljypohjaisten tuotteiden, irrotusöljyjen ym. päästä kosketuksiin muoviosien kanssa. Kemikaalit voivat vaurioittaa, heikentää tai tuhota muovin, mikä voi johtaa vakavaan henkilövahinkoon.

VAROITUS: Oikosulun aiheuttaman tulipalon, henkilövahingon ja tuotevaurion riskin vähentämiseksi älä koskaan upota konetta, akkua tai laturia nesteeseen tai anna nesteen virrata niiden sisälle. Syövyttävät tai johtavat nesteet, kuten merivesi, tietyt teollisuuskemikaalit ja valkaisuaineet tai valkaisuainetta sisältävät tuotteet jne., voivat aiheuttaa oikosulun.

NAPPIPARISTON VAIHTAMINEN (kuva M1&M2)

VAROITUS: Pidä ne poissa lasten ulottuvilta. Nieleminen voi johtaa kemiallisiin palovammoihin, reikään pehmytkudoksessa ja kuolemaan. Vakavia palovammoja voi syntyä 2 tunnin kuluessa nиеlemisestä. Hakeudu välittömästi lääkärin hoitoon.

HUOMAUTUS: Älä koskaan työnnä akkua suoraan lokeroon (kuva M3). Muutoin molemmat kiinnikkeet vaurioituvat, mikä aiheuttaa pistoolin etäohjauksen vikaantumisen.

M3-1	Kiinnikkeet
------	-------------

HUOMAUTUS: Korjaa pistooli painepesurilla sen jälkeen, kun nappiparisto on vaihdettu kohdan ”**Lyhyen painepistoolin pariliitos**” ohjeiden mukaisesti.

SUODATTIMIEN PUHDISTAMINEN

- Ruuvaa ja irrota vedentuloaukon nuppi ja ota sitten metalliverkko vedentuloaukosta, huuhtelee metalliverkko tai vaihda se tarvittaessa (kuva N1).

N1-1	Metalliverkko
------	---------------

- Irrota suodatin juoksutusletkusta, kierrä suodatin irti ja huuhtelee se huolellisesti (kuva N2).

SUUTTIMIEN PUHDISTAMINEN (kuva O)

Kun suuttimien reiät ovat tukkeutuneet, voit käyttää mukana tulevaa suuttimien puhdistusneulaa reikien puhdistamiseen ja tukosten poistamiseen.

PAINEPESURIN KULJETTAMINEN (kuva P)

Paina kahvan lukituspainiketta ja vedä sitten teleskooppikahva ulos ensimmäiseen pituustasoon, kunnes kuulet "napsahduksen". Voit halutessasi painaa kahvan lukituspainiketta ja vetää sitten teleskooppikahvan ulos toiseen pituustasoon.

PAINEPESURIN VARASTOIMINEN

1. Pysäytä painepesuri, vapauta paine, tyhjä vesi ja irrota akku painepesurista kohdan "**Painepesurin pysäyttäminen**" ohjeiden mukaisesti.
2. Säilytä suuttimet painepesurin suuttimien säilytystilassa (kuva Q1).
3. Kääri korkeapaineletku kokoon ja säilytä sitä teleskooppikahvan takana (kuva Q2).
4. Säilytä pistooli ja varsi ja sauvakokoonpano pidikekannattimissa tai irrota pistooli ja säilytä sitä ylemmissä pidikekannattimissa (kuva Q3).
5. Puhdista painepesuri huolellisesti ennen varastointia.
6. Säilytä laite kuivassa, hyvin ilmastoidussa, lukitussa paikassa tai korkealla, poissa lasten ulottuvilta. Älä säilytä painepesuria lannoitteiden, bensiinin tai muiden kemikaalien päällä tai vieressä.

FI

Ympäristönsuojelu



Älä hävitä sähkölaitteita, akkulaturia tai akkuja/ladattavia paristoja kotitalousjätteen seassa! Vie tämä tuote hyväksytyyn kierrätyspaikkaan tai anna se erilliseen keräilyyn. Sähkötyökälu tulee palauttaa asianmukaiseen ympäristöstävälliseen kierrätyslaitokseen.

VIANMÄÄRITYS

ONGELMA	SYY	RATKAISU
Painepesuri ei käynnisty.	<ul style="list-style-type: none"> ■ Akun varaustaso on alhainen. ■ Akkua ei ole asennettu oikein. 	<ul style="list-style-type: none"> ■ Lataa akku. ■ Liu'uta akku akkulokeroon, kunnes se napsahtaa paikalleen.
TURBO-nopeutta ei voitu aktivoida.	<ul style="list-style-type: none"> ■ Pesutoiminnoissa käytetään vain yhtä akkua. 	<ul style="list-style-type: none"> ■ Käytä kahta 5,0 Ah:n tai tehokkaamman Ah:n akkua.
Painepesurin pumppu lakkaa toimimasta, ja pesurin nopeuden merkkivalo vilkkuu kolmella vihreällä valolla.	<ul style="list-style-type: none"> ■ Painepesuri tai akku (akut) on ylikuumentunut. ■ Suutin on tukossa. ■ Juokutusletkuun ei virtaa vettä. ■ Akun varaustaso on alhainen. ■ Muu elektroninen vika. 	<ul style="list-style-type: none"> ■ Odota, kunnes painepesuri tai akku (akut) palautuu käyttölämpötilaan, ja käynnistä pesuri sitten uudelleen. ■ Käytä suuttimen puhdistusneulaa reikien puhdistamiseen. ■ Tarkista ja varmista, että vesi virtaa juokutusletkuun kunnolla. ■ Lataa akku. ■ Ota yhteyttä EGO-asiakaspalveluun.
Veden virtaus on alhainen ruiskutuksen aikana.	<ul style="list-style-type: none"> ■ Suodatin on osittain tukossa. ■ Vedentuloaukon metalliverkko on osittain tukossa. ■ Juokutusletkun suodatin- ja pikaliitinliitos ei ole täysin upotettu veteen. ■ Juokutusletku on taittunut. ■ Vesi on likaista. ■ Korkeapaineletku on tukossa. 	<ul style="list-style-type: none"> ■ Puhdista suodatin. ■ Irrota ja puhdista metalliverkko. ■ Upota suodatin ja pikaliitin kokonaan veteen. ■ Suorista juokutusletku tai vaihda se. ■ Käytä vain puhdasta vettä. ■ Irrota suutin ja aloita sitten veden ruiskuttaminen letkusta, jotta letkun tukos saadaan poistettua.

FI

ONGELMA	SYY	RATKAISU
Vettä ei suihkua ulos.	<ul style="list-style-type: none"> ■ Ei vedensyöttöä. ■ Suodatin on täysin tukossa. ■ Vedentuloaukon metalliverkko on täysin tukossa. ■ Suutin on tukossa. ■ Pumppu, letkut tai muut osat ovat jäätyneet. 	<ul style="list-style-type: none"> ■ Tarkista ja varmista, että pesuri on kytketty asianmukaisesti vedensyöttöön. ■ Puhdista suodatin. ■ Irrota ja puhdista metalliverkko. ■ Käytä suuttimen puhdistusneulaa reikien puhdistamiseen. ■ Odota, että ne sulavat.
Veden virtaus ei ole vakaata.	<ul style="list-style-type: none"> ■ Pesuriin virtaa ilmaa. ■ Pumpun tiivisteet ovat kuluneet. 	<ul style="list-style-type: none"> ■ Tarkista ja varmista, että juoksutusletku on liitetty oikein. ■ Ota yhteyttä EGO-asiakaspalveluun.
Vesisuihku käynnistyy tai pysähtyy automaattisesti.	<ul style="list-style-type: none"> ■ Korkeapaineletku on vaurioitunut. ■ Pistoolista vuotaa vettä. ■ Pumpun tiivisteet ja letkun tiivisteet ovat kuluneet. 	<ul style="list-style-type: none"> ■ Vaihda uusi korkeapaineletku. ■ Ota yhteyttä EGO-asiakaspalveluun. ■ Ota yhteyttä EGO-asiakaspalveluun.
Pistooli ei hallitse pesuria.	<ul style="list-style-type: none"> ■ Pistoolin sijainti on langattoman yhteyden kantaman ulkopuolella. ■ Nappipariston varaus on alhainen. ■ Pistoolin pariliitosta ei ole tehty oikein. ■ Nappiparistoa ei ole asennettu oikein. 	<ul style="list-style-type: none"> ■ Vie pistooli lähemmäs painepesuria. ■ Vaihda uusi nappiparisto. ■ Suorita pariliitos loppuun kohdassa "Lyhyen painepistoolin pariliitos" annettujen ohjeiden mukaisesti. ■ Asenna nappiparisto kohdan "NAPPIPARISTON VAIHTAMINEN" ohjeiden mukaisesti.

FI

TAKUU

EGON TAKUUEHDOT

Verkkosivustolta egopowerplus.eu löydät EGO:n takuukäytännön täydelliset ehdot.

LES ALLE INSTRUKSJONER!



LES BRUKERMANUALEN

⚠ ADVARSEL: For å sikre sikkerhet og pålitelighet bør alle reparasjoner utføres av en kvalifisert servicetekniker.

SIKKERHETSSYMBOL

Hensikten med sikkerhetssymboler er å tiltrekke deg oppmerksomheten mot mulige farer. Sikkerhetssymbolene og forklaringene med dem fortjener nøye oppmerksomhet og forståelse. Symbolvarslene eliminerer ikke i seg selv noen fare. Instruksjonene og advarslene de gir er ingen erstatning for riktige ulykkesforebyggende tiltak.

⚠ ADVARSEL: Sørg for å lese og forstå alle sikkerhetsinstruksjonene i denne brukerhåndboken, inkludert alle sikkerhetsvarselssymboler som «FARE», «ADVARSEL» og «FORSIKTIG» før du bruker denne maskinen. Hvis du ikke følger alle instruksjonene nedenfor, kan det føre til elektrisk støt, brann og/eller alvorlig personskade.

⚠ ADVARSEL: Risiko for brann og brannskader. Produktet må ikke demonteres, varmes opp til over 100 °C eller brennes. Hold batteriet utilgjengelig for barn og i originalemballasjen, til det skal brukes. Kasser brukte batterier omgående, i henhold til lokale bestemmelser for gjenvinning eller avfallsbehandling.

NO

SIKKERHETSINSTRUKSJONER

Denne siden viser og beskriver sikkerhetssymboler som kan vises på dette produktet. Les, forstå og følg alle instruksjonene på maskinen før du prøver å montere og bruke den.



Sikkerhetsvarsel



For å redusere risikoen for skade, må brukeren lese bruksanvisningen.



Spray aldri deg selv, andre, dyr, strømkilder eller selve enheten.



Dette produktet er i samsvar med gjeldende EU-direktiver.



Ikke koble til drikkevannsnettet.



Britisk samsvar vurdert



Elektriske avfallsprodukter skal ikke kastes sammen med husholdningsavfall. Ta med til en autorisert resirkulator.



Vanntrykk



Vannstrøm



Driftstemperatur



Likestrøm

kg Kilogram



Spenning

MPa Megapascal



Celsius

L/min Liter per minutt

IPX5 Beskyttelse mot vannstråler

⚠ ADVARSEL: Les og forstå alle instruksjonene før du bruker maskinen. Unnlattelse av å følge alle instruksjonene nedenfor kan føre til elektrisk støt, brann og/eller alvorlig personskade.

⚠ ADVARSEL: Ved bruk av høytrykkvaskere kan det dannes aerosoler. Innånding av aerosoler kan være helsefarlig.

⚠ ADVARSEL: Høytrykksstråler kan være farlige hvis de utsettes for feilbruk. Strålen må ikke rettes mot personer, strømførende elektrisk utstyr eller selve maskinen.

⚠ ADVARSEL: Ikke bruk maskinen innenfor rekkevidde av personer med mindre de har på seg verneklær.

⚠ ADVARSEL: Ikke rett strålen mot deg selv eller andre for å rengjøre klær eller føttøy.

⚠ ADVARSEL: Eksplosjonsfare – Ikke spray brennbare væsker.

⚠ ADVARSEL: Høytrykkvaskere skal ikke brukes av barn eller utrent personell.

⚠ ADVARSEL: Høytrykkslanger, beslag og koblinger er viktig for sikkerheten til maskinen.

⚠ ADVARSEL: Vann som har strømmet gjennom tilbakestrømningssikringer, anses å være ikke-drikkelig.

⚠ ADVARSEL: Ikke bruk maskinen hvis viktige deler av maskinen er skadet, f.eks. sikkerhetsinnretninger, høytrykkslanger, kort trykkpistol.

⚠ ADVARSEL: Avhengig av applikasjonen kan skjermede dyser brukes til høytrykksrensing, noe som vil redusere utslippet av vannholdige aerosoler dramatisk. Imidlertid tillater ikke alle applikasjoner bruk av en slik enhet. Hvis skjermede dyser ikke er aktuelt for beskyttelse mot aerosoler, kan det være nødvendig med en pustemaske i klasse FFP 2 eller tilsvarende, avhengig av rengjøringsmiljøet.

- Denne maskinen er ikke beregnet for bruk av personer (inkludert barn) med reduserte fysiske, sensoriske eller mentale evner, eller mangel på erfaring og kunnskap. Barn bør overvåkes for å sikre at de ikke leker med apparatet.
- Vet hvordan du stopper produktet og trykker raskt. Vær grundig kjent med kontrollene.
- Forhindre utilsiktet start. Sørg for at bryteren er i av-posisjon før du kobler til batteripakken, tar opp eller bærer apparatet. Å bære apparatet med fingeren på bryteren eller strømforsyningsapparatet som har bryteren på, inviterer til ulykker.

- Vær alltid oppmerksom på faren ved reaksjonskraften og det plutselige dreiemomentet på sprayenheten når du bruker pistolen.
- Ikke utsett apparatet eller batteriet for høye temperaturer.
- Vær oppmerksom på risikoen for at polene på det batteridrevne apparatet eller batteriet kortsluttes av metallgjenstander.
- Oppladbare batterier må tas ut av apparatet før de lades.
- Ulike typer batterier eller nye og brukte batterier skal ikke blandes.
- Utbrukte batterier skal fjernes fra apparatet og kastes på en sikker måte.
- Hvis apparatet skal oppbevares ubrukt over lengre tid, bør batteriene tas ut.
- Ikke bruk ikke-oppladbare batterier i stedet for oppladbare batterier.
- Ikke bruk modifiserte eller skadede batterier.
- **Bruk kun med spesifiserte batteripakker og ladere.**

Lagre disse instruksjonene. Se dem ofte og bruk dem til å instruere andre som kan bruke denne maskinen. Hvis du låner noen denne maskinen, lån dem også disse instruksjonene for å forhindre misbruk av produktet og mulig skade.

SPESIFIKASJONER

Spenning	56 V 
Maksimalt nominelt trykk	135 Bar
Maksimal nominell strømning (med hurtigkoblingslase og stav i rustfritt stål tilkoblet)	6,5 l/min
Maksimal nominell strømning (med kun kort trykkpistol tilkoblet)	9,5 l/min
Begrenset maksimalt trykk for pistol	250 bar
Begrenset maksimal strømning for pistol	30 L/min
Vekt (uten batteripakke)	16,8 kg
Anbefalt driftstemperatur	5 ° C – 40 ° C
Anbefalt lagringstemperatur	-20 ° C – 70 ° C

Målt lydeffektnivå L_{WA}	84 dB(A) K=1,8 dB(A)
Lydtrykknivå ved brukerens øre L_{PA}	72 dB(A) K=3 dB(A)
Garantert lydeffektnivå L_{WA} (målt i henhold til 2000/14/EF)	86 dB(A)
Vibrasjon a_t	3,6 m/s ² K=0,9 m/s ²

- Den deklarerte totale vibrasjonsverdien er målt i samsvar med en standard testmetode og kan brukes til å sammenligne ett verktøy med et annet;
- Den deklarerte totale vibrasjonsverdien kan også brukes i en foreløpig vurdering av eksponering.

MERKNAD: Vibrasjonsutslippet under faktisk bruk av elektroverktøyet kan avvike fra den deklarerte verdien som verktøyet brukes i. For å beskytte operatøren bør brukeren bruke hansker og hørselvern under de faktiske bruksforholdene.

ANBEFALT TILBEHØR

⚠ ADVARSEL: Bruk kun tilbehør som er oppført nedenfor. Bruk av tilbehør som ikke oppfyller spesifikasjonene for originalutstyr kan føre til feil ytelse og kompromittert sikkerhet.

DELNAVN	MODELLNUMMER
Premium skumkanon	AFC2000E
Turbo munnstykke	ANZ2000E-T
15° dyse	ANZ2015E
25° dyse	ANZ2025E
40° dyse	ANZ2040E
Skyll munnstykke	ANZ2000E-R

PAKKELISTE (FIG. A1)

BESKRIVELSE

KJENN HØYTRYKKSPLYEREN DIN (Fig. A1)

- Teleskophåndtak
- Håndtakslåsknapp
- Øvre holderbrakett
- Hjul (x2)
- Nedre holderbrakett
- Vanninntaksport
- Vannutløpsport

- Hastighetsknapp
- Hastighetsindikator
- På-knapp
- Batteripakkerom
- Oppbevaring av dyser
- Deksel til batteripakke
- Elektriske kontakter
- Utkastingsmekanisme
- Batteriutløserknapp
- Slangeholderstropp
- Stave i rustfritt stål
- Quick Connect Lance
- Høytrykkslange
- Sifonslange
- Hurtigkoblingssett (x2)
- Skumkanon
- Filter
- Munnstykerengjøringsnål
- Skylledyse
- 40° dyse
- 25° dyse
- 15° dyse
- TURBO Munnstykke
- Korttrykkspistol
- Batterideksel
- 5- LED drivstoffmåler
- Hastighetsindikator
- Hastighetsknapp
- Pistolhåndtak
- Avtrekker
- Låseknapp

NO

MONTERING

MONTERING AV HOLDERBRAKETTENHETEN (Fig. B)

B-1	Øvre holderbrakett	B-2	Nedre holderbrakett
B-3	Skruer		

KOBLE TIL HØYTRYKKSPLANGEN (Fig. C – Fig. D)

Du kan koble til høytrykksplangen på en av følgende måter:

- Koble høytrykksplangen til vannutløpsporten og pistolen direkte ved hjelp av gjengede koblinger (fig. C1 – fig. C2);
- Koble høytrykksplangen til vannutløpsporten og pistolen ved hjelp av to hurtigkoblingssett for å oppnå enkel installasjon/fjerning (fig. D1 – fig. D2).

MERK: Hurtigkoblingssettene er installert på vannutløpsporten, høytrykksplangen, pistolen på fabrikken.

KOBLE TIL LANSEN OG STØTTEN (Fig. E1 – Fig. E2)

For å koble fra, skru staven fra lansen og trekk den ut. Løse knotten på lansen og trekk deretter tilbake den ytre ringen på hurtigkoblingen til pistolen for å trekke ut lansen.

⚠ ADVARSEL: Hold alltid pistolen med den ene hånden og lansen med den andre hånden når du kobler lansen fra pistolen. Det kan oppstå personskaade hvis lansen faller.

KOBLE TIL EN DYSE (Fig. F1 / Fig. F2)

MERK: Dysene kan ikke kobles til lansen.

- Velg 15°-dysen, 25°-dysen, 40°-dysen eller Turbo-dysen som skal installeres på staven (fig. F1).

F1-1	15° dyse	F1-2	25° dyse
F1-3	40° dyse	F1-4	TURBO Munnstykke

- Skylledysen kobles direkte til pistolen (fig. F2).

F2-1	Skylledyse
------	------------

⚠ ADVARSEL: Hold alltid pistolen med den ene hånden og munnstykket med den andre hånden når du kobler munnstykket fra pistolen. Det kan oppstå personskaade hvis dysen hopper ut.

Bruk tabellen nedenfor for å velge riktig dyse for jobben.

Dysevalg	Applikasjoner
Gul 15° dyse	Rengjør små metall-, betong- eller treoverflater.
Grønn 25° dyse	Rengjør større overflater av metall, betong eller tre.
Hvit 40° dyse	Rengjør brede metall-, betong-, tre- eller vinyloverflater.
Grå skyllemunnstykke	Skyll kjøretøy. Skyll vaskemiddelet av metall, betong, tre eller vinyl.
Turbo munnstykke	Rengjør kun harde overflater. For å unngå overflateskader, ikke bruk på biler og treoverflater.

KOBLE TIL SKUMKANONEN (Fig. G)

Skumkanonen kobles direkte til pistolen.

For å koble fra, drar du tilbake den ytre ringen på hurtigkoblingen, og drar deretter ut skumkanonen.

KOBLE TIL HEVERSLANGEN (Fig. H1 – Fig. H2)

Når du bruker en vannbøtte (følger ikke med) som vannkilde, kobler du høytrykkvaskeren til sifonslangen.

MERK: Forfyll bøtten slik at filteret ikke flyter til overflaten når det er nedsenket.

KOBLE TIL EN HAGESLANGE (IKKE LAGT VED)

Når du bruker vannkran (medfølger ikke) som vannkilde, kobler du høytrykkvaskeren til en hageslange (følger ikke med).

OPERASJON

APPLIKASJON

Du kan bruke dette produktet til formålene som er oppført nedenfor:

- Rengjøring av skitt på biler, vegger, gulv osv.

FESTE/FRA BATTERIPAKKEN

Bruk bare med EGOs batteripakker og ladere oppført i fig. A2.

Se bruksanvisningene for tilsvarende batteripakker og ladere for mer informasjon.

Lad helt opp før første gangs bruk.

MERK: Hvis du bruker én batteripakke, kan du ikke oppnå TURBO-hastighet. For best ytelse anbefaler vi på det sterkeste bruk av to 5,0 Ah eller mer Ah batteripakker.

- Løft batteriromdekslet ved å løfte fronten av dekslet.
- For å feste**, Juster batteriribbene med monteringsporene i ett og trykk batteripakken ned til du hører et "klikk". Fest det andre batteriet (fig. I1).
- For å løsne**, trykker du på batteriutløserknappen og drar batteripakken ut (fig. I2).

I2-1	Batteriutløserknapp
------	---------------------

- Lukk batteridekslet.

NO

STARTE/STOPPE HØYTRYKKSPLYLEREN (Fig. J)

For å starte høytrykksspyleren

MERKNAD: Ikke start høytrykksspyleren uten at vanntilførselen er tilkoblet og slått på. Dette kan skade høytrykkspakningene og redusere pumpens levetid.

1. Sørg for at sifonslangen, høytrykksslangen, pistolen, munnstykket er riktig tilkoblet.
2. Koble til lanse, stav, skumkanon, filter etter dine behov.
3. Velg en av vannforsyningsmåtene nedenfor:
 - Når du bruker en hageslange (følger ikke med), kobler du høytrykksspyleren til hageslangen og åpner deretter vannkranen.
 - Når du bruker en vannbøtte, koble filteret til sifonslangen og dypp deretter filteret og hurtigkoblingen helt ned i vannbøtta.
4. Installer batteripakken(e).
5. Trykk på strømknappen for å slå på høytrykksspyleren. Vaskemaskinen vil alltid gå med høy hastighet etter hver start.

MERK: Når høytrykksspyleren er slått på, men uten flere handlinger, vil vaskemaskinen slå seg av automatisk etter 5 minutter i standby. I løpet av de første minuttene av standby vil hastighetsindikatoren på høytrykksspyleren blinke tre grønne lys, som indikerer at det ikke strømmer vann inn i sifonslangen.

6. Hold pistolen med begge hender, trykk på låsesiden av låseknappen og trykk deretter på avtrekkeren til en jevn vannstrøm produseres.

MERK: Hvis lansen er tilkoblet, hold pistolen med den ene hånden og lansen med den andre hånden.

7. Start sprayvasking.

MERK: Det kan ta litt tid før vannet kommer fra kilden og kommer ut av dysen som en jevn spray. For å oppnå en jevn vannstrøm raskt, kan det være lurt å:

- a. Fjern munnstykket.
- b. Trykk på avtrekkeren og vent til en jevn vannstrøm begynner å komme ut av tryllestaven.
- c. Slipp avtrekkeren og installer dysen på nytt.

For å stoppe høytrykksspyleren

1. Når vaskingen er fullført, slipp avtrekkeren og trykk på låseknappen for å låse posisjonen.
2. Trykk på strømknappen for å slå av høytrykksspyleren.

3. Steng vannkranen eller fjern sifonslangen fra vannbøtta.
4. Trykk låseknappen på pistolen til ulåst posisjon og klem på avtrekkeren for å tømme vannet fra slangene.

LEGG MERKE TIL: Våpenet, slangene, stavene, dysene eller skumkanonen bør ikke kobles fra så lenge vannet forblir i slangene.

5. Koble fra og fjern pistolen, slangene, stavene, dysene eller skumkanonen.
6. Trykk på strømknappen for å slå på høytrykksspyleren for å tømme vannet i høytrykksspyleren.
7. Trykk på strømknappen igjen for å slå av høytrykksspyleren.
8. Fjern batteripakken(e).

FJERNKONTROLL

Pistolen kan pares med høytrykksspyleren for å fungere som en fjernkontroll.

Korttrykkspistolssammenkobling (fig. K)

1. Sett inn batteripakken(e) og slå på høytrykksspyleren.
2. Trykk lenge på hastighetsknappen på høytrykksspylerenheten til de tre grønne lysene begynner å blinke.

MERK: Blinkingen vil vare i omtrent 20 s, så pistolen kan kun pares i løpet av denne tiden. Du kan også trykke kort på hastighetsknappen på vaskemaskinen for å gå ut av sammenkoblingsmodusen når som helst.

3. Trykk lenge på hastighetsknappen på pistolen til de tre grønne lysene begynner å blinke, noe som betyr at sammenkoblingsprosessen har startet.

MERK: Blinkingen som indikerer sammenkoblingsprosessen vil vare i omtrent 10 s. Du kan trykke kort på hastighetsknappen på pistolen for å avslutte sammenkoblingsprosessen når som helst.

4. Hastighetsindikatorerne på vaskemaskinen og pistolen vil vise tre grønne lys sammen i 3 s for å indikere at sammenkoblingen var vellykket, og deretter vise to grønne lys.
5. Hvis sammenkoblingen mislyktes, vil hastighetsindikatorerne på vaskemaskinen og pistolen blinke tre grønne lys og deretter slå seg av.

NO

Bruk av fjernkontrollen

Etter at sammenkoblingen er fullført, trykk én gang på hastighetsknappen på pistolen, 5-LED-drivstoffmåleren og hastighetsindikatoren vil lyse opp. Trykk på hastighetsknappen igjen for å faktisk endre hastigheten.

MERK:

- 5-LED drivstoffmåleren og hastighetsindikatoren vil slå seg av når det ikke er noe mer handling på hastighetsknappen på pistolen innen 10 s.
- Drivstoffmåleren med 5 LED indikerer batteriladenivået. Når to batteripakker er installert, indikerer det nivået på batteripakken med den høyeste ladningen.
- Hastighetsindikatoren på pistolen er alltid synkronisert med hastighetsindikatoren på høytrykksspylerenheten.

NO

HASTIGHETSVALG

- Hastigheten på høytrykksspyleren kan justeres med hastighetsknappen på enten vaskeren eller den sammenkoblede pistolen.
- Hastigheten på høytrykksspyleren kan justeres når vaskemaskinen er slått på eller under sprøyting.
- Hver gang hastighetsknappen trykkes, vil hastigheten veksle mellom høyt nivå, TURBO nivå og lavt nivå. Hastighetsindikatoren viser ett grønt lys, to grønne lys eller tre grønne lys for å indikere at høytrykksspyleren kjører med henholdsvis lav hastighet, høy hastighet eller TURBO.

MERK: Når bare én batteripakke er satt inn, kan ikke TURBO-hastigheten oppnås, og hver gang hastighetsknappen trykkes inn, vil hastigheten veksle mellom høyt nivå og lavt nivå.

MERK: Hvis høytrykksspyleren fortsetter å fungere med TURBO-hastighet, kan kjøretiden per lading bli påvirket.

RENGJØRING MED OPPVASKEMIDDEL

⚠ ADVARSEL: Bruk kun vaskemidler som er spesielt laget for bruk med høytrykksspyleren. Følg bruks-, avhendings- og sikkerhetsinstruksjonene til vaskemiddelprodusenten.

1. Vri flasken med skumkanonen mot klokken og fjern den (fig. L1).
2. Hell vaskemiddel i flasken.

MERKNAD: Temperaturen på vaskemiddelet bør ikke overstige 60 °C.

3. Bytt ut skumkanonen og koble den til hurtigkoblingen til pistolen.
4. Drei vaskemiddelknappen for å justere mengden vaskemiddel som tilsettes vannstrømmen i henhold til dine behov (fig. L2).

VEDLIKEHOLD

⚠ ADVARSEL: For å forhindre alvorlig personskade, fjern batteripakken fra produktet før du utfører service, rengjøring, skifter tilbehør eller fjerner materiale fra enheten.

GENERELT VEDLIKEHOLD

Unngå å bruke løsemidler ved rengjøring av plastdeler. De fleste plasttyper kan ta skade av ulike typer løsemidler som er i salg, og kan dermed bli ødelagt. Bruk en ren klut for å fjerne skitt, støv, olje, fett, osv.

⚠ ADVARSEL: La ikke på noe tidspunkt bremsevæsker, bensin, petroleumsbaserte produkter, penetrerende oljer osv. komme i kontakt med plastdeler. Kjemikalier kan skade, svekke eller ødelegge plast som kan føre til alvorlig personskade.

⚠ ADVARSEL: For å redusere risikoen for brann, personskade og produktskade på grunn av kortslutning, må du aldri senke maskinen, batteripakken eller laderen i væske eller la væske strømme inn i dem. Etsende eller ledende væsker, som sjøvann, visse industrielle kjemikalier, og blekemiddel eller blekemiddelholdige produkter osv., kan forårsake kortslutning.

BYTTE MYNTSCELLE-BATTERIET (Fig. M1&M2)

⚠ ADVARSEL: Oppbevares utilgjengelig for barn. Svelging kan føre til kjemiske brannskader, perforering av bløtvev og død. Alvorlige brannskader kan oppstå innen 2 timer etter inntak. Oppsøk lege umiddelbart.

MERKNAD: Skyv aldri batteriet direkte inn i rommet (fig. M3). Ellers vil de to klipsene bli skadet, noe som forårsaker svikt i pistolfjernkontrollen.

M3-1	Klipp
------	-------

MERK: Reparer pistolen med høytrykksspyleren etter at klokkebatteriet er skiftet ut ved å følge instruksjonene i avsnittet «Parring av kort trykkpistol».

RENGJØRING AV FILTRE

- Skru av og fjern knotten på vanninntaksporten, og ta deretter ut metallnettet fra vanninntaksporten, skyll metallnettet eller skift det ut om nødvendig (fig. N1).

N1-1	Metallmesh
------	------------

- Fjern filteret fra sifonslangen, skru ut filteret, og skyll det deretter grundig (fig. N2).

RENGJØRING AV DYSENE (Fig. O)

Når hullene til dysene er blokkert, kan du bruke den medfølgende munnstykke rengjøringsnålen til å passere gjennom hullene og fjerne blokkering.

TRANSPORT AV TRYKKVASKEREN (Fig. P)

Trykk på håndtakslåseknappen, og trekk ut teleskophåndtaket til det første lengdenivået til du hører et "klikk". Om ønskelig kan du trykke på låseknappen for håndtaket og deretter trekke teleskophåndtaket ut til det andre lengdenivået.

OPPBEVARING AV HØYTRYKKSPYLEREN

1. Stopp høytrykksspyleren, slipp trykket, tøm vann og fjern batteripakken fra høytrykksspyleren ved å følge instruksjonene i avsnittet "**Sluk stopper du høytrykksspyleren**".
2. Oppbevar dysene i dyseoppbevaringsområdet til høytrykksspyleren (fig. Q1).
3. Rull sammen høytrykksslangen og oppbevar den bak teleskophåndtaket (fig. Q2).
4. Oppbevar pistolen og lansen og staven i holderbrakettene eller koble fra pistolen og oppbevar den i de øvre holderbrakettene (fig. Q3).
5. Rengjør høytrykksspyleren grundig før du oppbevarer den.
6. Oppbevar høytrykksspyleren på et tørt, godt ventilert sted, innelåst eller høyt oppe, utilgjengelig for barn. Ikke oppbevar høytrykksspyleren på eller ved siden av gjødsel, bensin eller andre kjemikalier.

Beskytter miljøet



Elektrisk utstyr, brukte batterier og batteriladere må ikke kastes i husholdningsavfallet! Ta med dette produktet til autorisert gjenvinning, og gjør det tilgjengelig for separat innsamling. Elektriske verktøy må returneres til et miljøvennlig gjenvinningsanlegg.

NO

FEILSØKING

PROBLEM	ÅRSAKEN	LØSNING
høytrykksspyleren blir ikke slått på.	<ul style="list-style-type: none"> ■ Batteripakken er lav. ■ Batteripakken er ikke riktig installert. 	<ul style="list-style-type: none"> ■ Lad batteripakken. ■ Skyv batteripakken inn i batterirommet til den klikker på plass.
TURBO-hastigheten kunne ikke aktiveres.	<ul style="list-style-type: none"> ■ Kun én batteripakke brukes til vaskemaskinen. 	<ul style="list-style-type: none"> ■ Bruk to 5,0 Ah eller mer Ah batteripakker.
NO Høytrykksspylerpumpen slutter å fungere og hastighetsindikatoren på vaskemaskinen blinker tre grønne lys.	<ul style="list-style-type: none"> ■ Høytrykksspyleren eller batteripakken(e) er over temperatur. ■ Munnstykket er blokkert. ■ Det renner ikke vann inn i sifonslangen. ■ Batteripakken er lav. ■ Andre elektroniske feil(er). 	<ul style="list-style-type: none"> ■ Vent til høytrykksspyleren eller batteripakken(e) går tilbake til driftstemperatur, og start deretter vaskemaskinen på nytt. ■ Bruk munnstykkerengjøringsnålen til å passere gjennom hullene. ■ Sjekk og sørg for at det renner vann inn i sifonslangen på riktig måte. ■ Lad batteripakken. ■ Kontakt EGO kundeservice.
Vannføringen er lav under sprøyting.	<ul style="list-style-type: none"> ■ Filteret er delvis blokkert. ■ Metallnettet i vanninntaksporten er delvis blokkert. ■ Filteret og hurtigkoblingen til sifonslangen er ikke helt nedsenket i vann. ■ Sifonslangen er brettet. ■ Vannet er skittent. ■ Høytrykksslangen er blokkert. 	<ul style="list-style-type: none"> ■ Rengjør filteret. ■ Fjern og rengjør metallnettet. ■ Senk filteret og hurtigkoblingen helt ned i vann. ■ Brett ut sifonslangen eller bytt den ut. ■ Bruk kun rent vann. ■ Fjern munnstykket, og begynn deretter å sprøyte vann fra slangen for å fjerne blokkeringen av slangen.

PROBLEM	ÅRSAKEN	LØSNING
Det er ikke noe vann som spruter ut.	<ul style="list-style-type: none"> ■ Det er ingen vannforsyning. ■ Filteret er blokkert helt. ■ Metallnettet i vanninntaksporten er blokkert helt. ■ Munnstykket er blokkert. ■ Pumpe, slanger eller andre komponenter er frosset. 	<ul style="list-style-type: none"> ■ Kontroller og sørg for at vaskemaskinen er riktig koblet til vannforsyningen. ■ Rengjør filteret. ■ Fjern og rengjør metallnettet. ■ Bruk munnstykkerengjøringsnålen til å passere gjennom hullene. ■ Vent til de er tint.
Vannføringen er ikke stabil.	<ul style="list-style-type: none"> ■ Luft strømmer inn i vaskemaskinen. ■ Pumpetetninger er slitt. 	<ul style="list-style-type: none"> ■ Kontroller og sørg for at sifonslangen er riktig tilkoblet. ■ Kontakt EGO kundeservice.
Vannsprøytingen starter eller stopper automatisk.	<ul style="list-style-type: none"> ■ Høytrykkslangen er skadet. ■ Det er vannlekkasje fra pistolen. ■ Pumpetetninger, slangetetninger er slitt. 	<ul style="list-style-type: none"> ■ Bytt ut med ny høytrykkslange. ■ Kontakt EGO kundeservice. ■ Kontakt EGO kundeservice.
Pistolen kan ikke kontrollere vaskemaskinen.	<ul style="list-style-type: none"> ■ Posisjonen til pistolen er utenfor rekkevidde for trådløs tilkobling. ■ Knappcellens batterilading er lav. ■ Pistolen er ikke parett riktig. ■ Knappcellebatteriet er ikke riktig installert. 	<ul style="list-style-type: none"> ■ Ta pistolen nærmere høytrykkspyleten. ■ Bytt ut med et nytt knappcellebatteri. ■ Fullfør sammenkoblingen ved å følge instruksjonene i avsnittet "Parring med kort trykkpistol". ■ Installer knappcellebatteriet ved å følge instruksjonene i avsnittet "BYTTE MYNTSCALLEBATTERIET".

NO

GARANTI

EGO GARANTIPOLITIK

Besøk nettstedet egopowerplus.eu for fullstendige vilkår og betingelser for EGO-garantipolicyen.

ПРОЧИТАЙТЕ ВСЕ ИНСТРУКЦИИ!



ПРОЧИТАЙТЕ РУКОВОДСТВО ПОЛЬЗОВАТЕЛЯ

⚠ ПРЕДУПРЕЖДЕНИЕ. Для обеспечения безопасности и надежности устройства его ремонт должен выполнять квалифицированный специалист.

СИМВОЛЫ БЕЗОПАСНОСТИ

Символы безопасности предназначены для привлечения внимания к возможным рискам. Символы безопасности, а также пояснения к ним, требуют особого внимания и понимания. Предупреждения по технике безопасности сами по себе не устраняют опасность. Инструкции и предупреждения не заменяют соответствующие меры по предотвращению несчастных случаев.

⚠ ПРЕДУПРЕЖДЕНИЕ. Перед использованием устройства внимательно прочитайте все инструкции в данном руководстве пользователя и ознакомьтесь с предупреждающими символами безопасности, такими как **ОПАСНОСТЬ, ПРЕДУПРЕЖДЕНИЕ и ВНИМАНИЕ.** Несоблюдение всех приведенных ниже инструкций может привести к поражению электрическим током, возникновению пожара и (или) получению серьезных травм.

⚠ ПРЕДУПРЕЖДЕНИЕ. Риск возникновения пожара и ожогов. Запрещается разбирать, нагревать выше 100 °C или сжигать. Когда аккумулятор не используется, храните его в оригинальной упаковке в недоступном для детей месте. Немедленно утилизируйте использованные аккумуляторы согласно местным правилам по утилизации отходов.

RU

ИНСТРУКЦИЯ ПО ТЕХНИКЕ БЕЗОПАСНОСТИ

Далее приведено изображение и описание символов безопасности, которые могут присутствовать на данном устройстве. Перед сборкой или использованием внимательно прочитайте все инструкции, приведенные на устройстве, и соблюдайте их.



Предупреждение об опасности



Прочитайте руководство по эксплуатации, чтобы уменьшить риск получения травм.



Никогда не распylайте жидкость на себя, других людей, животных, источники питания или само устройство.



Соответствует основным требованиям стандартов безопасности Европейских директив.



Данное устройство не предназначено для подключения к водопроводной воде.



Соответствие требованиям Великобритании



Неисправные электрические устройства нельзя выбрасывать вместе с бытовым мусором. Сдавайте их в авторизованные пункты сбора и утилизации.



Давление воды



Поток воды



Рабочая температура



Постоянный ток

kg Килограмм

V Напряжение

MPa Мегапаскаль

°C Градус Цельсия

L/min Литров в минуту

IPX5 Защита от струй воды

⚠ ПРЕДУПРЕЖДЕНИЕ. Перед использованием устройства внимательно прочитайте все инструкции. Несоблюдение всех приведенных ниже инструкций может привести к поражению электрическим током, возникновению пожара и (или) получению серьезных травм.

⚠ ПРЕДУПРЕЖДЕНИЕ. При использовании мойки высокого давления возможно образование аэрозолей. Вдыхание аэрозолей может быть опасным для здоровья.

⚠ ПРЕДУПРЕЖДЕНИЕ. При неправильном использовании струя высокого давления может представлять опасность. Не направляйте струю на людей, работающее электрооборудование или на само устройство.

⚠ ПРЕДУПРЕЖДЕНИЕ. Не используйте устройство рядом с людьми, на которых нет защитной одежды.

⚠ ПРЕДУПРЕЖДЕНИЕ. Не направляйте струю на себя или на других, чтобы очистить одежду или обувь.

⚠ ПРЕДУПРЕЖДЕНИЕ. Опасность взрыва! Не распыляйте легковоспламеняющиеся жидкости.

⚠ ПРЕДУПРЕЖДЕНИЕ. Мойку высокого давления запрещено использовать детям или необученным людям.

⚠ ПРЕДУПРЕЖДЕНИЕ. Шланги высокого давления, фитинги и муфты играют важную роль в обеспечении безопасности устройства.

⚠ ПРЕДУПРЕЖДЕНИЕ. Вода, вытекающая через обратные клапаны, является непригодной для питья.

⚠ ПРЕДУПРЕЖДЕНИЕ. Не используйте устройство, если повреждены важные детали, такие как защитные устройства, шланги высокого давления или пистолет.


⚠ ПРЕДУПРЕЖДЕНИЕ. В зависимости от области применения для очистки под высоким давлением могут использоваться экранированные форсунки, что значительно снижает образование гидроаэрозолей. Однако в некоторых случаях такое устройство использовать нельзя. Если экранированные форсунки не подходят для защиты от аэрозолей, то в зависимости от условий очистки может потребоваться респираторная маска класса FFP 2 или эквивалентная.

- Данное устройство не предназначено для использования лицами (в том числе детьми) с пониженными физическими, сенсорными или умственными способностями или имеющими недостаточный опыт или знания. Следите за тем, чтобы дети не играли с этим устройством.
- Заранее ознакомьтесь с правилами экстренного отключения устройства и быстрого сброса давления. Тщательно ознакомьтесь со всеми элементами управления.
- Не допускайте непредвиденных запусков. Перед подключением устройства к аккумулятору и перед его переноской убедитесь, что выключатель находится в выключенном положении. Не держите палец на выключателе при переноске устройства и не подключайте к источнику питания, если устройство включено. Это может привести к несчастному случаю.
- Всегда помните об опасности отдачи и внезапного вращения распылителя при работе с пистолетом.
- Не подвергайте устройство и аккумулятор воздействию слишком высоких температур.
- Помните об опасности короткого замыкания клемм устройства или аккумулятора металлическими предметами.
- Перед зарядкой аккумуляторные батареи необходимо извлечь из устройства.
- Не используйте одновременно старые и новые батареи, а также батареи разных типов.
- Использованные батареи необходимо извлекать из устройства и утилизировать безопасным способом.
- Извлеките батареи, если устройство не будет использоваться в течение длительного времени.
- Не используйте непerezаряжаемые батареи вместо перезаряжаемых.
- Не используйте модифицированные или поврежденные батареи.
- **Используйте только указанные аккумуляторы и зарядные устройства.**

RU

Сохраните данные инструкции. Регулярно просматривайте их и предоставляйте для ознакомления другим пользователям. Одалживая кому-либо устройство, передайте также данные инструкции для предотвращения неправильного использования и возможных травм.

ТЕХНИЧЕСКИЕ ХАРАКТЕРИСТИКИ

Напряжение	56 В 
Максимальное номинальное давление	135 бар
Максимальный номинальный расход (с быстросъемной насадкой и трубкой из нержавеющей стали)	6,5 л/мин
Максимальный номинальный расход (только с распылительным пистолетом)	9,5 л/мин
Ограниченное максимальное давление для пистолета	250 бар
Ограниченный максимальный расход для пистолета	30 л/мин
Масса (без аккумулятора)	16,8 кг
Рекомендуемая рабочая температура	От 5 до 40 °C
Рекомендуемая температура хранения	От -20 до 70 °C
Измеренный уровень звуковой мощности L_{WA}	84 дБ (A) K=1,8 дБ (A)
Уровень звукового давления на уши оператора L_{PA}	72 дБ (A) K=3 дБ (A)
Гарантированный уровень звуковой мощности L_{WA} (измерен в соответствии с 2000/14/EC)	86 дБ (A)
Вибрация a_n	3,6 м/с ² K=0,9 м/с ²

- Указанное общее значение вибрации было определено с помощью стандартного теста и может быть использовано для сравнения разных инструментов.

- Указанное общее значение вибрации также может использоваться для предварительной оценки уровня воздействия.

ПРИМЕЧАНИЕ. Реальное вибрационное воздействие электроинструмента может отличаться от указанного в зависимости от способа использования. В целях безопасности оператор должен надевать перчатки и средства защиты органов слуха во время использования устройства.

РЕКОМЕНДУЕМЫЕ ПРИНАДЛЕЖНОСТИ

⚠ ПРЕДУПРЕЖДЕНИЕ. Используйте только аксессуары, перечисленные ниже. Использование аксессуаров с другими характеристиками может привести к снижению эффективности работы и безопасности устройства.

НАЗВАНИЕ ДЕТАЛИ	НОМЕР МОДЕЛИ
Пенная пушка премиум-класса	AFC2000E
Турбонасадка	ANZ2000E-T
Насадка 15°	ANZ2015E
Насадка 25°	ANZ2025E
Насадка 40°	ANZ2040E
Промывочная насадка	ANZ2000E-R

КОМПЛЕКТ ПОСТАВКИ (РИС. А1)

ОПИСАНИЕ

ЧАСТИ МОЙКИ ВЫСОКОГО ДАВЛЕНИЯ (Рис. А1)

1. Телескопическая ручка
2. Кнопка блокировки ручки
3. Кронштейн верхнего держателя
4. Колесо (2 шт.)
5. Кронштейн нижнего держателя
6. Отверстие для входа воды
7. Отверстие для выхода воды
8. Кнопка регулировки скорости
9. Индикатор скорости
10. Кнопка питания
11. Аккумуляторный отсек
12. Отсек для хранения насадок
13. Крышка аккумуляторного отсека
14. Электрические контакты

15. Механизм извлечения
16. Кнопка фиксации аккумулятора
17. Ремень держателя шланга
18. Трубка из нержавеющей стали
19. Быстроразъемный удлинитель
20. Шланг высокого давления
21. Сифонный шланг
22. Набор быстроразъемных соединений (2 шт.)
23. Пенная пушка
24. Фильтр
25. Игла для чистки насадок
26. Промывочная насадка
27. Насадка 40°
28. Насадка 25°
29. Насадка 15°
30. Турбонасадка
31. Распылительный пистолет
32. Крышка батарейного отсека
33. Указатель уровня заряда (5 светодиодов)
34. Индикатор скорости
35. Кнопка регулировки скорости
36. Рукоятка пистолета
37. Курок
38. Кнопка блокировки

СБОРКА

УСТАНОВКА КРОНШТЕЙНА ДЕРЖАТЕЛЯ (Рис. В)

В-1	Кронштейн верхнего держателя	В-2	Кронштейн нижнего держателя
В-3	Винты		

ПОДСОЕДИНЕНИЕ ШЛАНГА ВЫСОКОГО ДАВЛЕНИЯ (Рис. С, Рис. D)

Подсоединить шланг высокого давления можно одним из следующих способов.

- Подсоедините шланг высокого давления непосредственно к отверстию для выхода воды и пистолету с помощью резьбовых соединителей (Рис. С1, Рис. С2);
- Подсоедините шланг высокого давления к отверстию для выхода воды и пистолету с помощью двух комплектов быстроразъемных соединений, чтобы облегчить установку и снятие (Рис. D1, Рис. D2).

ПРИМЕЧАНИЕ. Комплекты быстроразъемных соединений монтируются на отверстия для выхода воды, шланге высокого давления и пистолете на заводе.

ПОДКЛЮЧЕНИЕ УДЛИНИТЕЛЯ И ТРУБКИ

(Рис. Е1, Рис. Е2)

Чтобы отсоединить, открутите трубку от удлинителя и снимите ее. Ослабьте фиксатор на удлинителе, а затем потяните назад внешнее кольцо быстроразъемного соединения пистолета, чтобы извлечь удлинитель.

⚠ ПРЕДУПРЕЖДЕНИЕ. При отсоединении удлинителя от пистолета всегда держите пистолет одной рукой, а удлинитель другой рукой. Падение удлинителя может привести к травме.

ПОДКЛЮЧЕНИЕ НАСАДКИ (Рис. F1, Рис. F2)

ПРИМЕЧАНИЕ. Насадки нельзя подсоединить к удлинителю.

- Выберите насадку 15°, насадку 25°, насадку 40° или турбонасадку для установки на трубку (Рис. F1).

F1-1	Насадка 15°	F1-2	Насадка 25°
F1-3	Насадка 40°	F1-4	Турбонасадка

- Промывочная насадка подключается непосредственно к пистолету (Рис. F2).

F2-1	Промывочная насадка
------	---------------------

⚠ ПРЕДУПРЕЖДЕНИЕ. При отсоединении насадки от пистолета всегда держите пистолет одной рукой, а насадку другой рукой. Падение насадки может привести к травме.

Используйте таблицу ниже, чтобы выбрать подходящую насадку для работы.

Насадка	Применение
Желтая насадка 15°	Очищение небольших металлических, бетонных или деревянных поверхностей.
Зеленая насадка 25°	Очищение больших металлических, бетонных или деревянных поверхностей.
Белая насадка 40°	Очищение широких металлических, бетонных, деревянных или виниловых поверхностей.

RU

Серая промывочная насадка	Мойка транспортных средств. Удаление моющих средств с металла, бетона, дерева или винила.
Турбонасадка	Только для очищения твердых поверхностей. Во избежание повреждения поверхности не используйте на автомобилях и деревянных поверхностях.

ПОДКЛЮЧЕНИЕ ПЕННОЙ ПУШКИ (Рис. G)

Пенная пушка подключается непосредственно к пистолету.

Для отсоединения потяните назад внешнее кольцо быстросъемного соединения, а затем вытащите пенную пушку.

ПОДКЛЮЧЕНИЕ СИФОННОГО ШЛАНГА (Рис. H1, Рис. H2)

При использовании ведра с водой (не входит в комплект) в качестве источника воды подсоедините мойку высокого давления к сифонному шлангу.

ПРИМЕЧАНИЕ. Предварительно заполните ведро так, чтобы при погружении фильтр не всплывал на поверхность.

ПОДКЛЮЧЕНИЕ К САДОВОМУ ШЛАНГУ (НЕ ВХОДИТ В КОМПЛЕКТ)

При использовании водопроводного крана (не входит в комплект) в качестве источника воды подсоедините мойку высокого давления к садовому шлангу (не входит в комплект).

ИСПОЛЬЗОВАНИЕ

ПРИМЕНЕНИЕ

Данное устройство можно использовать в следующих целях.

- Очистка от грязи автомобилей, стен, полов и т. д.

УСТАНОВКА И СНЯТИЕ АККУМУЛЯТОРА

Используйте только аккумуляторы и зарядные устройства EGO, указанные на Рис. A2.

Подробнее см. в соответствующих руководствах по эксплуатации аккумулятора и зарядного устройства.

Перед первым использованием полностью зарядите аккумулятор.

ПРИМЕЧАНИЕ. При использовании одного аккумулятора режим скорости **ТУРБО** недоступен. Для достижения наилучшей производительности настоятельно рекомендуется использовать два аккумулятора емкостью 5,0 Ач или более.

1. Поднимите крышку аккумуляторного отсека за переднюю часть.
2. **Установка:** совместите ребра аккумулятора с крепежными отверстиями и вставьте аккумулятор до щелчка. Установите второй аккумулятор (Рис. I1).
3. **Снятие:** нажмите кнопку фиксации аккумулятора и извлеките аккумулятор (Рис. I2).

I2-1 Кнопка фиксации аккумулятора

4. Закройте крышку аккумуляторного отсека.

ЗАПУСК И ОСТАНОВКА МОЙКИ ВЫСОКОГО ДАВЛЕНИЯ (Рис. J)

Запуск мойки высокого давления

ПРИМЕЧАНИЕ. Не запускайте мойку высокого давления без подключенного и включенного источника воды. Это может привести к повреждению уплотнений высокого давления и сокращению срока службы насоса.

1. Убедитесь, что сифонный шланг, шланг высокого давления, пистолет и насадка подсоединены правильно.
2. Подключите удлинитель, трубку, пенную пушку, фильтр в соответствии со своими потребностями.
3. Выберите один из следующих способов подачи воды.

- При использовании садового шланга (не входит в комплект) подсоедините мойку высокого давления к садовому шлангу, а затем откройте кран подачи воды.
 - При использовании ведра с водой подсоедините фильтр к сифонному шлангу, а затем полностью погрузите фильтр и быстроразъемное соединение в ведро с водой.
4. Установите аккумулятор(ы).
 5. Нажмите кнопку питания, чтобы включить мойку высокого давления. Мойка всегда будет работать на высокой скорости после каждого запуска.

ПРИМЕЧАНИЕ. Если мойка высокого давления включена, но не предпринимаются никакие дальнейшие действия, она автоматически выключится через 5 минут. В течение первых нескольких минут режима ожидания индикатор скорости на мойке высокого давления будет мигать тремя зелеными светодиодами, указывая на то, что вода не течет в сифонный шланг.

6. Удерживая пистолет обеими руками, нажмите на кнопку блокировки со стороны разблокировки, а затем нажмите на курок до появления устойчивого потока воды.

ПРИМЕЧАНИЕ. Если используется удлинитель, держите пистолет одной рукой, а удлинитель — другой.

7. Начните мойку.

ПРИМЕЧАНИЕ. Может потребоваться некоторое время, чтобы вода прошла от источника и вышла из насадки в виде устойчивой струи. Чтобы быстро получить стабильный поток воды, можно сделать следующее.

- a. Снимите насадку.
- b. Нажмите на курок и подождите, пока из трубки не начнет выходить устойчивая струя воды.
- c. Отпустите курок и установите насадку на место.

Остановка мойки высокого давления

1. После завершения мойки отпустите курок и нажмите кнопку блокировки, чтобы зафиксировать положение.
2. Нажмите кнопку питания, чтобы выключить мойку высокого давления.
3. Закройте водопроводный кран или извлеките сифонный шланг из ведра с водой.
4. Нажмите на кнопку блокировки пистолета в положение разблокировки и нажмите на курок, чтобы слить воду из шлангов.

ПРИМЕЧАНИЕ. Пистолет, шланги, трубки, насадки или пенную пушку нельзя отсоединять до тех пор, пока в шлангах остается вода.

5. Отсоедините и снимите пистолет, шланги, трубки, насадки или пенный пистолет.
6. Нажмите кнопку питания, чтобы включить мойку высокого давления и слить из нее воду.
7. Нажмите кнопку питания еще раз, чтобы выключить мойку высокого давления.
8. Извлеките аккумулятор(-ы).

ПУЛЬТ ДИСТАНЦИОННОГО УПРАВЛЕНИЯ

Можно выполнить сопряжение пистолета с мойкой высокого давления и использовать в качестве пульта дистанционного управления.

Сопряжение с распылительным пистолетом (Рис. К)

1. Вставьте аккумулятор(ы) и включите мойку высокого давления.
2. Нажмите и удерживайте кнопку регулировки скорости на мойке машины высокого давления, пока три зеленых индикатора не начнут мигать.

ПРИМЕЧАНИЕ. Мигание будет продолжаться примерно 20 секунд, поэтому сопряжение пистолета возможно только в течение этого времени. Также можно в любой момент быстро нажать кнопку регулировки скорости на мойке, чтобы выйти из режима сопряжения.

3. Нажмите и удерживайте кнопку регулировки скорости на пистолете, пока три зеленых индикатора не начнут мигать, что означает начало процесса сопряжения.

ПРИМЕЧАНИЕ. Мигание, указывающее на процесс сопряжения, будет продолжаться примерно 10 секунд. Можно в любой момент быстро нажать кнопку регулировки скорости на пистолете, чтобы выйти из процесса сопряжения.

4. Индикаторы скорости на мойке и пистолете будут одновременно отображать три зеленых индикатора в течение 3 секунд, указывая на успешное сопряжение, а затем отобразят два зеленых индикатора.
5. Если сопряжение не удалось, индикаторы скорости на мойке и пистолете мигнут тремя зелеными светодиодами, а затем погаснут.

Использование пульта дистанционного управления

После завершения сопряжения один раз нажмите кнопку регулировки скорости на пистолете. Будут светиться указатель уровня заряда (5 светодиодов) и индикатор скорости. Нажмите кнопку регулировки скорости еще раз, чтобы изменить скорость.

ПРИМЕЧАНИЕ.

- Указатель уровня заряда (5 светодиодов) и указатель скорости погаснут, если в течение 10 секунд не будет нажата кнопка регулировки скорости пистолета.
- Указатель уровня заряда (5 светодиодов) отображает уровень заряда аккумулятора. Если установлены два аккумулятора, указатель отображает уровень заряда аккумулятора с более высоким уровнем заряда.
- Индикатор скорости на пистолете всегда синхронизирован с индикатором скорости на мойке высокого давления.

ВЫБОР СКОРОСТИ

- Скорость работы мойки высокого давления можно регулировать с помощью кнопки регулировки скорости на самой мойке или на сопряженном пистолете.
- Скорость работы мойки высокого давления можно регулировать при включении мойки или во время распыления.
- При каждом нажатии кнопки скорость будет переключаться между высоким уровнем, уровнем ТУРБО и низким уровнем. На индикаторе скорости светятся один, два или три зеленых светодиода, указывая на то, что мойка высокого давления работает на низкой скорости, высокой скорости или в режиме ТУРБО соответственно.

ПРИМЕЧАНИЕ. Если установлен только один аккумулятор, режим ТУРБО недоступен и каждый раз при нажатии кнопки регулировки скорости происходит переключение между высоким и низким уровнем.

ПРИМЕЧАНИЕ. Если мойка высокого давления долго работает в режиме ТУРБО, это может повлиять на время работы от одной зарядки.

ОЧИСТКА МОЮЩИМ СРЕДСТВОМ

⚠ ПРЕДУПРЕЖДЕНИЕ. Используйте только моющие средства, специально предназначенные для моек высокого давления. Соблюдайте инструкции производителя моющего средства по применению, утилизации и технике безопасности.

1. Поверните бутылку пенной пушки против часовой стрелки и снимите ее (Рис. L1).
2. Налейте моющее средство в бутылку.

ПРИМЕЧАНИЕ. Температура моющего средства не должна превышать 60 °C.

3. Установите на место пенную пушку и подсоедините ее к быстроразъемному соединению пистолета.
4. Поверните ручку моющего средства, чтобы отрегулировать количество средства, добавляемого в поток воды (Рис. L2).

ОБСЛУЖИВАНИЕ

⚠ ПРЕДУПРЕЖДЕНИЕ. Чтобы предотвратить получение серьезных травм, извлекайте аккумулятор перед выполнением сервисного обслуживания, очистки, замены принадлежностей или удаления материала из устройства.

ОБЩЕЕ ОБСЛУЖИВАНИЕ

Не используйте растворители для очистки пластиковых частей. Большинство пластиковых частей чувствительны к различным бытовым растворителям и могут быть повреждены. Для очистки от грязи, пыли, масла, смазки и т. п. используйте чистую ткань.

⚠ ПРЕДУПРЕЖДЕНИЕ. Не допускайте попадания на пластиковые части тормозной жидкости, бензина, продуктов на нефтяной основе, пропитывающих масел и т. д. Химические вещества могут повредить, ослабить или разрушить пластик, что приведет к получению серьезных травм.

⚠ ПРЕДУПРЕЖДЕНИЕ. Для снижения риска пожара, получения травм и повреждения устройства от короткого замыкания никогда не погружайте инструмент, аккумулятор и зарядное устройство в жидкость и не допускайте попадания жидкости внутрь. Коррозионные и токопроводящие жидкости, такие как морская вода, некоторые промышленные химикаты, а также отбеливатели и содержащие их продукты могут стать причиной короткого замыкания.

ЗАМЕНА БАТАРЕЙКИ ТИПА «ТАБЛЕТКА»

(Рис. M1&M2)

⚠ ПРЕДУПРЕЖДЕНИЕ. Хранить в недоступном для детей месте. Проглатывание может привести к химическим ожогам, перфорации мягких тканей и смерти. Тяжелые ожоги могут возникнуть в течение 2 часов после проглатывания. Немедленно обратитесь к врачу.

ПРИМЕЧАНИЕ. Никогда не вставляйте батарейку в отсек плашмя (Рис. M3). В противном случае два зажима будут повреждены, что приведет к выходу из строя дистанционного управления пистолетом.

M3-1	Зажимы
------	--------

ПРИМЕЧАНИЕ. После замены батарейки типа «таблетка» выполните повторное сопряжение пистолета с мойкой высокого давления в соответствии с инструкциями в разделе «**Сопряжение с распылительным пистолетом**».

ОЧИСТКА ФИЛЬТРОВ

- Открутите и снимите крышку отверстия для входа воды, затем извлеките из отверстия металлическую сетку, промойте ее или при необходимости замените (Рис. N1).

N1-1	Металлическая сетка
------	---------------------

- Снимите фильтр со сифонного шланга, выкрутите фильтр, а затем тщательно промойте его (Рис. N2).

ОЧИСТКА НАСАДОК (Рис. O)

Если отверстия насадок засорились, используйте для их очистки иглу, которая входит в комплект поставки.

ТРАНСПОРТИРОВКА МОЙКИ ВЫСОКОГО ДАВЛЕНИЯ (Рис. P)

Нажмите кнопку блокировки ручки, а затем вытяните телескопическую ручку на первый уровень длины до щелчка. При необходимости еще раз нажмите кнопку блокировки ручки и вытяните телескопическую ручку на второй уровень длины.

ХРАНЕНИЕ МОЙКИ ВЫСОКОГО ДАВЛЕНИЯ

- Остановите мойку высокого давления, сбросьте давление, слейте воду и извлеките аккумулятор, следуя инструкциям в разделе «**Остановка мойки высокого давления**».
- Уберите насадки в отсек для хранения насадок мойки высокого давления (Рис. Q1).
- Сверните шланг высокого давления и разместите его за телескопической ручкой (Рис. Q2).
- Поместите пистолет, удлинитель и трубку в сборе в кронштейны держателя или отсоедините пистолет и храните его в кронштейне верхнего держателя (Рис. Q3).
- Тщательно очистите мойку высокого давления перед хранением.
- Храните устройство в сухом, хорошо проветриваемом, закрытом или высоком месте, недоступном для детей. Не храните устройство рядом с удобрениями, бензином или другими химическими веществами.

Защита окружающей среды



Не выбрасывайте электроприборы, зарядные устройства и аккумуляторные батареи вместе с бытовыми отходами! Отправьте данное изделие на переработку в специализированное предприятие или сдайте его для отдельного сбора. Электроинструменты должны быть возвращены на перерабатывающее предприятие, не наносящее ущерб окружающей среде.

RU

УСТРАНЕНИЕ НЕПОЛАДОК

ПРОБЛЕМА	ПРИЧИНА	РЕШЕНИЕ
Мойка высокого давления не включается.	<ul style="list-style-type: none"> ■ Низкий уровень заряда аккумулятора. ■ Аккумулятор установлен неправильно. 	<ul style="list-style-type: none"> ■ Зарядите аккумулятор. ■ Вставьте аккумулятор в отсек до щелчка.
Не удалось активировать режим скорости ТУРБО.	<ul style="list-style-type: none"> ■ Для работы мойки используется только один аккумулятор. 	<ul style="list-style-type: none"> ■ Используйте два аккумулятора емкостью 5,0 Ач или более.
Насос мойки высокого давления перестал работать, а индикатор скорости на стиральной машине мигает тремя зелеными светодиодами.	<ul style="list-style-type: none"> ■ Мойка высокого давления или аккумулятор(ы) перегрелись. ■ Насадка засорена. ■ Вода не поступает в сифонный шланг. ■ Низкий уровень заряда аккумулятора. ■ Другая электронная неисправность. 	<ul style="list-style-type: none"> ■ Подождите, пока мойка высокого давления или аккумулятор остынут до рабочей температуры, а затем перезапустите устройство. ■ Используйте иглу для чистки насадок, чтобы прочистить отверстия. ■ Убедитесь, что вода правильно течет в сифонный шланг. ■ Зарядите аккумулятор. ■ Обратитесь в сервисный центр EGO.
Слабый напор воды при распылении.	<ul style="list-style-type: none"> ■ Фильтр частично засорен. ■ Металлическая сетка в отверстии для входа воды частично засорена. ■ Фильтр и быстроразъемное соединение сифонного шланга не полностью погружены в воду. ■ Сифонный шланг согнут. ■ Вода грязная. ■ Шланг высокого давления засорен. 	<ul style="list-style-type: none"> ■ Очистите фильтр. ■ Снимите и очистите металлическую сетку. ■ Полностью погрузите фильтр и быстроразъемное соединение в воду. ■ Расправьте сифонный шланг или замените его. ■ Используйте только чистую воду. ■ Снимите насадку, а затем начните распылять воду из шланга, чтобы устранить засор.

RU

ПРОБЛЕМА	ПРИЧИНА	РЕШЕНИЕ
Вода не распыляется.	<ul style="list-style-type: none"> ■ Нет подачи воды. ■ Фильтр полностью засорен. ■ Металлическая сетка в отверстии для входа воды полностью засорена. ■ Насадка засорена. ■ Насос, шланги или другие компоненты замерзли. 	<ul style="list-style-type: none"> ■ Убедитесь, что мойка машина правильно подключена к водопроводу. ■ Очистите фильтр. ■ Снимите и очистите металлическую сетку. ■ Используйте иглу для чистки насадок, чтобы прочистить отверстия. ■ Подождите, пока они оттают.
Нестабильный поток воды.	<ul style="list-style-type: none"> ■ В мойку попадает воздух. ■ Уплотнения насоса изношены. 	<ul style="list-style-type: none"> ■ Убедитесь, что сифонный шланг подсоединен правильно. ■ Обратитесь в сервисный центр EGO.
Распыление воды начинается или прекращается автоматически.	<ul style="list-style-type: none"> ■ Шланг высокого давления поврежден. ■ Утечка воды из пистолета. ■ Изношены сальники насоса, уплотнения шланга. 	<ul style="list-style-type: none"> ■ Замените шланг высокого давления на новый. ■ Обратитесь в сервисный центр EGO. ■ Обратитесь в сервисный центр EGO.
Невозможно управлять мойкой с помощью пистолета.	<ul style="list-style-type: none"> ■ Пистолет находится за пределами зоны действия беспроводного соединения. ■ Низкий уровень заряда батарейки типа «таблетка». ■ Не выполнено сопряжение пистолета. ■ Батарейка типа «таблетка» установлена неправильно. 	<ul style="list-style-type: none"> ■ Поднесите пистолет ближе к мойке высокого давления. ■ Замените батарейку типа «таблетка» на новую. ■ Выполните сопряжение в соответствии с инструкциями в разделе «Сопряжение с распылительным пистолетом». ■ Установите батарейку типа «таблетка» в соответствии с инструкциями в разделе «ЗАМЕНА БАТАРЕЙКИ ТИПА ТАБЛЕТКА».

ГАРАНТИЯ

ГАРАНТИЙНАЯ ПОЛИТИКА EGO

Посетите веб-сайт egopowerplus.eu, чтобы ознакомиться со всеми условиями и сроками гарантийной политики EGO.

PRZECZYTAJ WSZYSTKIE INSTRUKCJE!



PRZECZYTAJ INSTRUKCJĘ OPERATORA

⚠ OSTRZEŻENIE: Aby zagwarantować bezpieczeństwo i niezawodność, wszystkie naprawy powinny być wykonywane przez wykwalifikowanych techników serwisu.

SYMBOL BEZPIECZEŃSTWA

Celem symboli bezpieczeństwa jest zwrócenie uwagi użytkownika na możliwe zagrożenia. Symbole bezpieczeństwa i objaśnienia do nich zasługują na to, aby je uważnie przestudiować i zrozumieć. Symbole bezpieczeństwa nie eliminują same z siebie jakichkolwiek zagrożeń. Podane w nich instrukcje i ostrzeżenia nie zastępują odpowiednich środków zapobiegania wypadkom.

⚠ OSTRZEŻENIE: Przed użyciem maszyny należy koniecznie przeczytać ze zrozumieniem wszystkie instrukcje dotyczące bezpieczeństwa podane w podręczniku użytkownika, łącznie z wszystkimi ostrzeżeniami oznaczonymi symbolami ostrzegawczymi takimi jak „**NIEBEZPIECZEŃSTWO**”, „**OSTRZEŻENIE**” i „**UWAGA**”. Niestosowanie się do wszystkich podanych niżej instrukcji może doprowadzić do porażenia prądem, pożaru i/lub poważnych urazów ciała.

PL

⚠ OSTRZEŻENIE: Ryzyko pożaru i oparzeń. Nie rozmontowywać, nie nagrzewać powyżej 100°C, nie podpalać. Do momentu użycia akumulator należy przechowywać w oryginalnym opakowaniu w miejscu niedostępnym dla dzieci. Zużyte akumulatory należy bezzwłocznie utylizować zgodnie z lokalnymi przepisami w sprawie recyklingu lub odpadów.

INSTRUKCJE DOTYCZĄCE BEZPIECZEŃSTWA

Na tej stronie pokazano i opisano symbole bezpieczeństwa, które mogą występować na produkcie. Przed podjęciem próby złożenia i użycia maszyny należy przeczytać i zrozumieć wszystkie instrukcje dotyczące maszyny oraz zastosować się do nich.



Ostrzeżenie dotyczące bezpieczeństwa



Aby ograniczyć ryzyko urazów, użytkownik musi przeczytać instrukcję operatora.



Nigdy nie należy spryskiwać samego siebie, innych osób, zwierząt, źródeł zasilania ani samego urządzenia.



Ten produkt jest zgodny z obowiązującymi dyrektywami WE.



Nie podłączać do instalacji wody pitnej.



Znak zgodności z wymaganiami dotyczącymi produktów sprzedawanych w Wielkiej Brytanii.



Zużytych wyrobów elektrycznych nie należy wyrzucać razem ze zwykłymi odpadami domowymi. Należy je oddać do autoryzowanego punktu recyklingu.



Cisnienie wody



Przepływ wody



Temperatura pracy



Prąd stały

kg

Kilogram

V Napięcie

MPa Megapaskal

°C Celsjusz

L/min Litry na minutę

IPX5 Zabezpieczenie przed strugami wody

⚠ OSTRZEŻENIE: Przed rozpoczęciem używania maszyny należy przeczytać i zrozumieć wszystkie instrukcje. Niestosowanie się do wszystkich podanych niżej instrukcji może doprowadzić do porażenia prądem, pożaru i/lub poważnych obrażeń.

⚠ OSTRZEŻENIE: Podczas stosowania myjek ciśnieniowych mogą tworzyć się aerozole. Wdychanie aerozoli może być niebezpieczne dla zdrowia.

⚠ OSTRZEŻENIE: W przypadku niewłaściwego użycia strumienie pod wysokim ciśnieniem mogą być niebezpieczne. Strumienia nie wolno kierować na osoby, urządzenia elektryczne pod napięciem ani na samą maszynę.

⚠ OSTRZEŻENIE: Maszyny nie należy używać w pobliżu osób, chyba że noszą one odzież ochronną.

⚠ OSTRZEŻENIE: Nie wolno, w celu wyczyszczenia odzieży lub obuwia, kierować strumienia ani na siebie samego, ani na inne osoby.

⚠ OSTRZEŻENIE: Ryzyko wybuchu – Nie rozpylać cieczy łatwopalnych.

⚠ OSTRZEŻENIE: Dzieciom ani nieprzeszkolonemu personelowi nie wolno używać myjek ciśnieniowych.

⚠ OSTRZEŻENIE: Węże wysokociśnieniowe, złączki i łączówki odgrywają ważną rolę w zapewnieniu bezpieczeństwa maszyny.

⚠ OSTRZEŻENIE: Wodę, która przepłynęła przez zawory zwrotne, uważa się za niezdatną do picia.

⚠ OSTRZEŻENIE: Nie należy używać maszyny, jeśli uszkodzone są ważne jej części, np. mechanizmy zabezpieczające, węże wysokociśnieniowe, krótki pistolet ciśnieniowy.


⚠ OSTRZEŻENIE: W zależności od zastosowania, do czyszczenia pod wysokim ciśnieniem można używać dysz z osłoną, co znacznie zmniejszy emisję wodnych aerozoli. Jednakże, nie we wszystkich zastosowaniach możliwe jest korzystanie z takiego urządzenia. Jeżeli do ochrony przed aerozolami nie da się zastosować dysz z osłoną, może być potrzebna maska oddechowa klasy FFP 2 lub równoważna, w zależności od środowiska, w którym odbywa się czyszczenie.

- Maszyna nie jest przeznaczona do użytku przez osoby (w tym dzieci) o ograniczonych zdolnościach fizycznych, czuciowych lub mentalnych, ani przez osoby bez wystarczającego doświadczenia lub wiedzy. Aby nie dopuścić do zabawy urządzeniem, dzieci powinny pozostawać pod opieką osób dorosłych.
- Należy wiedzieć, jak wyłączyć produkt i szybko spuścić z niego ciśnienie. Prosimy dokładnie zapoznać się z elementami sterującymi.
- Nie należy dopuszczać do przypadkowego włączenia. Należy pilnować, aby przed podłączeniem urządzenia do akumulatora oraz przed podniesieniem i przenoszeniem przełącznik był ustawiony w pozycji „wyłączone”. Trzymanie palca na przełączniku włączającym w czasie przenoszenia urządzenia lub podłączanie urządzenia do zasilania, gdy przełącznik ustawiony jest w pozycji „włączone”, może doprowadzić do wypadku.
- Podczas używania pistoletu należy zawsze pamiętać o niebezpieczeństwie związanym z siłą reakcji i nagłym momentem siły działającym na zespół spryskujący.
- Urządzenia ani akumulatora nie należy narażać na działanie skrajnych temperatur.
- Należy pamiętać o ryzyku zwarcia wyprowadzeń urządzenia zasilanego z akumulatora lub zwarcia wyprowadzeń akumulatora wskutek kontaktu z metalowymi przedmiotami.
- Przed naładowaniem akumulatory należy wyjąć z urządzenia.
- Nie należy mieszać ze sobą akumulatorów różnych typów oraz akumulatorów nowych i używanych.
- Zużyte akumulatory należy wyjąć z urządzenia i bezpiecznie zutylizować.
- Jeżeli urządzenie ma być przechowywane nieużywane przez długi czas, należy z niego wyjąć akumulatory.
- Nie należy używać baterii jednorazowych zamiast akumulatorów.
- Nie należy używać baterii uszkodzonych lub poddanych przeróbkom.
- Maszyny należy używać wyłącznie ze wskazanymi akumulatorami i ładowarkami.

PL

Niniejszą instrukcję należy zachować. Zachęcamy do częstego korzystania z niej. Instrukcja może też posłużyć do przeszkolenia innych osób, które będą używały maszyny. Jeśli maszyna zostaje komuś wypożyczona, osobie tej należy również udostępnić niniejszą instrukcję, aby zapobiec niewłaściwemu użytkowaniu i możliwym urazom.

SPECYFIKACJA

Napięcie	56 V 
Maksymalne ciśnienie znamionowe	135 barów
Maksymalny przepływ znamionowy (z podłączoną łańcuchem szybkozłączną i rurką ze stali nierdzewnej)	6,5 l/min
Maksymalny przepływ znamionowy (z podłączonym tylko krótkim pistoletem ciśnieniowym)	9,5 l/min
Ograniczone maksymalne ciśnienie dla pistoletu	250 barów
Ograniczony maksymalny przepływ dla pistoletu	30 l/min
Ciężar (bez akumulatora)	16,8 kg
Zalecana temperatura użytkowania	5°C – 40°C
Zalecana temperatura przechowywania	-20°C – 70°C
Zmierzony poziom mocy akustycznej L_{WA}	84 dB(A) K=1,8 dB(A)
Poziom ciśnienia akustycznego przy uchu operatora L_{PA}	72 dB(A) K=3 dB(A)
Gwarantowany poziom mocy akustycznej L_{WA} (zmierzony zgodnie z dyrektywą 2000/14/WE)	86 dB(A)
Drgania a_n	3,6 m/s ² K=0,9 m/s ²

- Deklarowana całkowita wartość drgań została zmierzona zgodnie ze standardowymi metodami testowania i może służyć do porównywania różnych narzędzi.
- Deklarowana całkowita wartość drgań może również służyć do wstępnej oceny narażenia na drgań.

INFORMACJA: Emisja drgań podczas rzeczywistego stosowania elektronarzędzia może się różnić od deklarowanej wartości, w której narzędzie jest używane. Aby się zabezpieczyć, w rzeczywistych warunkach użytkowania użytkownik powinien nosić rękawice i nauszniki ochronne.

ZALECANE AKCESORIA

⚠ OSTRZEŻENIE! Należy używać wyłącznie akcesoriów wymienionych poniżej. Stosowanie akcesoriów, które nie spełniają oryginalnej specyfikacji urządzenia może spowodować niewłaściwe działanie i narażić użytkownika na niebezpieczeństwo.

NAZWA CZĘŚCI	NUMER MODELU
Działko na pianę premium	AFC2000E
Dysza turbo	ANZ2000E-T
Dysza 15°	ANZ2015E
Dysza 25°	ANZ2025E
Dysza 40°	ANZ2040E
Dysza płucząca	ANZ2000E-R

LISTA ELEMENTÓW W OPAKOWANIU (RYS. A1)

OPIS

ZAPOZNANIE Z MYJKĄ CIŚNIENIOWĄ (Rys. A1)

1. Uchwyt teleskopowy
2. Przycisk blokady uchwytu
3. Górny wspornik uchwytu
4. Koło (x2)
5. Dolny wspornik uchwytu
6. Port wlotowy wody
7. Port wylotowy wody
8. Przycisk prędkości
9. Wskaźnik prędkości
10. Przycisk zasilania
11. Komora akumulatorów
12. Przechowywanie dysz
13. Pokrywa komory akumulatorów
14. Styki elektryczne
15. Mechanizm odłączania
16. Przycisk odblokowujący akumulator
17. Pasek na ramię
18. Rurka ze stali nierdzewnej
19. Łańcuch do szybkiego łączenia

20. Wąż wysokociśnieniowy
21. Wąż syfonowy
22. Zestaw szybkozłączy (x2)
23. Działko na pianę
24. Filtr
25. Igła do czyszczenia dyszy
26. Dysza płucząca
27. Dysza 40°
28. Dysza 25°
29. Dysza 15°
30. Dysza TURBO
31. Krótki pistolet ciśnieniowy
32. Pokrywa akumulatorów
33. 5-diodowy wskaźnik poziomu naładowania
34. Wskaźnik prędkości
35. Przycisk prędkości
36. Uchwyt pistoletu
37. Spust
38. Przycisk odblokowujący

MONTAŻ

MONTAŻ ZESPOŁU WSPORNIKA UCHWYTU (Rys. B)

B-1	Górny wspornik uchwytu	B-2	Dolny wspornik uchwytu
B-3	Śruby		

PODŁĄCZENIE WĘŻA WYSOKOCIŚNIENIOWEGO (Rys. C – Rys. D)

Wąż wysokociśnieniowy można podłączyć na jeden z następujących sposobów:

- Podłączyć wąż wysokociśnieniowy bezpośrednio do króćca wylotowego wody i pistoletu za pomocą złączy gwintowanych (Rys. C1 – Rys. C2);
- Podłączyć wąż wysokociśnieniowy do portu wylotowego wody i pistoletu za pomocą dwóch zestawów szybkozłączek, aby ułatwić montaż/demontaż (Rys. D1 – Rys. D2).

UWAGA: Zestawy szybkozłączy zostały fabrycznie zamontowane na króćcu wylotowym wody, wężu wysokociśnieniowym i pistolecie.

PODŁĄCZANIE LANCY I RURKI (Rys. E1 – Rys. E2)

Aby rozłączyć, odkręcić rurkę od lancy, a następnie ją wyciągnąć; poluzować pokrętko na lancy, a następnie odciągnąć zewnętrzny pierścień szybkozłączyza pistoletu, aby wyciągnąć lancę.

⚠ OSTRZEŻENIE: Podczas odłączania lancy od pistoletu należy zawsze trzymać pistolet jedną ręką, a lancę drugą. W przypadku upuszczenia lancy może dojść do obrażeń ciała.

PODŁĄCZANIE DYSZY (Rys. F1 / Rys. F2)

UWAGA: Dysze nie mogą być podłączone do lancy.

- Wybrać dyszę 15°, dyszę 25°, dyszę 40° lub dyszę Turbo. Wybrana dysza zostanie zainstalowana na rurce (Rys. F1).

F1-1	Dysza 15°	F1-2	Dysza 25°
F1-3	Dysza 40°	F1-4	Dysza TURBO

- Dyszę płuczącą podłącza się bezpośrednio do pistoletu (Rys. F2).

F2-1	Dysza płucząca
------	----------------

⚠ OSTRZEŻENIE: Podczas odłączania dyszy od pistoletu należy zawsze trzymać pistolet jedną ręką, a dyszę drugą. Wyskokienie dyszy może spowodować obrażenia ciała.

Skorzystać z poniższej tabeli, aby wybrać odpowiednią dyszę do danego zadania.

Wybór dyszy	Zastosowania
Dysza żółta 15°	Czyścić małe powierzchnie metalowe, betonowe lub drewniane.
Zielona dysza 25°	Czyścić większe powierzchnie metalowe, betonowe lub drewniane.
Biała dysza 40°	Czyścić szerokie powierzchnie metalowe, betonowe, drewniane lub winylowe.
Szara dysza płucząca	Splukiwanie pojazdów. Splukiwanie detergentu z metalu, betonu, drewna lub winylu.
Dysza Turbo	Czyścić wyłącznie twarde powierzchnie. Aby zapobiec uszkodzeniu powierzchni, dyszy tej nie należy używać do samochodów i powierzchni drewnianych.

PODŁĄCZANIE DZIAŁKA NA PIANĘ (Rys. G)

Działko na pianę podłącza się bezpośrednio do pistoletu.

Aby odłączyć, należy odciągnąć zewnętrzny pierścień szybkozłączka, a następnie wyciągnąć działko na pianę.

PODŁĄCZANIE WĘŻA Z SYFONEM

(Rys. H1 – Rys. H2)

Jeśli jako źródło wody używa się wiadra na wodę (zestaw nie zawiera wiadra), myjkę ciśnieniową należy podłączyć do węża z syfonem.

UWAGA: Wiadro należy napelnić na tyle, aby po zanurzeniu filtr nie pływał po powierzchni.

PODŁĄCZANIE DO WĘŻA OGRODOWEGO (WAŻ NIE NALEŻY DO ZESTAWU)

Jeśli jako źródła wody używa się kranu (nie należy do wyposażenia), myjkę ciśnieniową należy podłączyć do węża ogrodowego (zestaw nie zawiera węża).

PL

UŻYTKOWANIE

ZASTOSOWANIE

Urządzenia można używać wyłącznie do celów podanych poniżej:

- Usuwanie zanieczyszczeń z samochodów, ścian, podłóg itp.

ZAKŁADANIE/WYJMOWANIE AKUMULATORA

Do urządzenia należy używać wyłącznie ładowarek i akumulatorów marki EGO wymienionych na Rys. A2.

Więcej informacji znaleźć można w instrukcjach do odpowiednich akumulatorów i ładowarek.

Naładować przed pierwszym użyciem.

UWAGA: Używanie jednego akumulatora nie pozwala na osiągnięcie prędkości TURBO. Aby uzyskać najlepszą wydajność, zdecydowanie zalecamy używanie dwóch akumulatorów o pojemności 5,0 Ah lub większej.

1. Unieść przód pokrywy, aby podnieść pokrywę komory akumulatora.
2. **Aby założyć akumulator**, należy dopasować żeberka akumulatora do szczelin mocujących i wsunąć akumulator do komory aż da się słyszeć kliknięcie. Założyć drugi akumulator (Rys. I1).
3. **Aby wyjąć akumulator**, wystarczy wcisnąć przycisk odblokowujący akumulator i wysunąć akumulator na zewnątrz (Rys. I2).

I2-1	Przycisk odblokowujący akumulator
------	-----------------------------------

4. Zamknąć pokrywę komory akumulatora.

WŁĄCZANIE/WYŁĄCZANIE MYJKI CIŚNIENIOWEJ (Rys. J)

Włączanie myjki ciśnieniowej

INFORMACJA: Myjki ciśnieniowej nie należy włączać bez podłączonego i włączonego dopływu wody. Mogłoby to spowodować uszkodzenie uszczelek wysokociśnieniowych i skrócić żywotność pompy.

1. Upewnić się, że wąż z syfonem, wąż wysokociśnieniowy, pistolet i dysza są prawidłowo podłączone.
2. Podłączyć lancę, rurkę, działko na pianę i filtr odpowiednio własnych potrzeb.
3. Wybrać jeden z poniższych sposobów doprowadzania wody:
 - W przypadku używania węża ogrodowego (brak w zestawie) należy podłączyć myjkę ciśnieniową do węża ogrodowego, a następnie otworzyć kran.
 - W przypadku korzystania z wiadra na wodę należy podłączyć filtr do węża z syfonem, a następnie całkowicie zanurzyć filtr i szybkozłączkę w wiadrze z wodą.
4. Zainstalować akumulator(y).
5. Nacisnąć przycisk zasilania, aby włączyć myjkę ciśnieniową. Po każdym uruchomieniu myjka będzie zawsze pracować z dużą prędkością.

UWAGA: Gdy myjka ciśnieniowa zostanie włączona, ale nie zostaną podjęte żadne dalsze działania, myjka wyłączy się automatycznie po 5 minutach gotowości. Przez pierwsze kilka minut stanu gotowości będą migać trzy zielone kontrolki wskaźnika prędkości myjki ciśnieniowej, co oznacza, że do węża z syfonem nie dochodzi woda.

6. Należy chwycić pistolet obiema rękoma, nacisnąć stronę odblokowaną przycisku odblokowującego, a następnie nacisnąć spust, aż wytworzy się stały przepływ wody.
7. Rozpocząć mycie natryskowe.

UWAGA: Jeśli jest podłączona lanca, pistolet należy trzymać jedną ręką, a lancę drugą.

UWAGA: Zanim woda ze źródła wody dotrze do dyszy w postaci stałego strumienia, może minąć trochę czasu. Aby szybko uzyskać stały przepływ wody, można:

- a. Zdjąć dyszę.
- b. Nacisnąć spust i poczekać, aż z rurki zacznie wypływać stały strumień wody.
- c. Zwolnić spust i ponownie zamontować dyszę.

Wyłączanie myjki ciśnieniowej

1. Po zakończeniu mycia zwolnić spust i nacisnąć przycisk odblokowujący, aby zablokować pozycję.
2. Nacisnąć przycisk zasilania, aby wyłączyć myjkę ciśnieniową.
3. Zamknąć kran z wodą lub wyjąć wąż z syfonem z wiadra z wodą.
4. Nacisnąć przycisk odblokowujący pistoletu do pozycji odblokowanej i nacisnąć spust, aby spuścić wodę z węży.

INFORMACJA: Nie należy odłączać pistoletu, węży, rurek, dysz ani działek na pianę, dopóki w wężach pozostaje woda.

5. Odłączyć i wyjąć pistolet, wężę, rurki, dysze lub działko na pianę.
6. Nacisnąć przycisk zasilania, aby włączyć myjkę ciśnieniową i opróżnić ją z wody.
7. Nacisnąć ponownie przycisk zasilania, aby wyłączyć myjkę ciśnieniową.
8. Wyjąć akumulator(y).

ZDALNE STEROWANIE

Pistolet można sparować z myjką ciśnieniową, aby pełniła ona funkcję pilota zdalnego sterowania.

Parowanie krótkiego pistoletu ciśnieniowego (rys. K)

1. Włożyć akumulator(y) i włączyć myjkę ciśnieniową.
2. Nacisnąć i przytrzymać przycisk prędkości na myjce ciśnieniowej, aż zaczną migać trzy zielone kontrolki.

UWAGA: Miganie będzie trwało około 20 s; pistolet można sparować tylko w czasie migania. Można także krótko nacisnąć przycisk prędkości w myjce, aby w dowolnym momencie wyjść z trybu parowania.

3. Nacisnąć i przytrzymać przycisk prędkości na pistolecie, aż trzy zielone kontrolki zaczną migać, co oznacza, że rozpoczął się proces parowania.

UWAGA: Miganie wskazujące proces parowania będzie trwało około 10 sekund. Aby w dowolnym momencie zakończyć proces parowania, można na krótko nacisnąć przycisk prędkości na pistolecie.

4. Wskaźniki prędkości na myjce i pistolecie zaświecą się razem trzema zielonymi kontrolkami przez 3 sekundy, co oznacza, że parowanie się powiodło, po czym będą dalej świecić tylko dwie zielone kontrolki.
5. Jeśli parowanie nie powiedzie się, wskaźniki prędkości na myjce i na pilocie zaczną migać trzema zielonymi kontrolkami, a następnie zgasną.

Korzystanie z pilota

Po zakończeniu parowania należy jeden raz nacisnąć przycisk prędkości na pistolecie. Zaświecą się 5-diodowy wskaźnik poziomu paliwa oraz wskaźnik prędkości. Aby faktycznie zmienić prędkość, należy nacisnąć przycisk prędkości jeszcze raz.

UWAGA:

- Jeśli w ciągu 10 sekund nie zostanie naciśnięty przycisk prędkości pistoletu, 5-diodowy wskaźnik poziomu paliwa i wskaźnik prędkości zgasną.
- 5-diodowy wskaźnik poziomu paliwa wskazuje poziom naładowania akumulatora. Gdy zainstalowane są dwa akumulatory, wskaźnik wskazuje poziom naładowania akumulatora o wyższym stopniu naładowania.
- Wskaźnik prędkości pistoletu jest zawsze zsynchronizowany ze wskaźnikiem prędkości myjki ciśnieniowej.

WYBÓR PRĘDKOŚCI

- Prędkość myjki ciśnieniowej można regulować za pomocą przycisku prędkości na myjce lub sparowanym pistolecie.
- Prędkość myjki ciśnieniowej można regulować, gdy myjka jest włączona lub podczas natryskiwania.
- Każde wciśnięcie przycisku prędkości przelacza prędkość między ustawieniami wysoka, TURBO i niska. Na wskaźniku prędkości świecą się jedna, dwie lub trzy zielone kontrolki, sygnalizując, że myjka ciśnieniowa pracuje odpowiednio z prędkością niską, wysoką lub TURBO.

UWAGA: Gdy włożony jest tylko jeden akumulator, nie ma możliwości osiągnięcia prędkości TURBO i po każdym naciśnięciu przycisku prędkości prędkość będzie przelaczana tylko między poziomem wysokim i niskim.

UWAGA: Jeśli myjka ciśnieniowa będzie nadal działać z prędkością TURBO, może to mieć wpływ na czas pracy na jednym naładowaniu.

CZYSZCZENIE DETERGENTEM

⚠ OSTRZEŻENIE! Należy używać wyłącznie detergentów przeznaczonych specjalnie do użytku w myjkach ciśnieniowych. Należy przestrzegać instrukcji producenta detergentu dotyczących stosowania, utylizacji i bezpieczeństwa.

1. Obrócić butlę z działkiem na pianę w lewo (przeciwnie do kierunku ruchu wskazówek zegara) i wyjąć ją (Rys. L1).
2. Włączyć detergent do butli.

INFORMACJA: Temperatura detergentu nie powinna przekraczać 60°C.

3. Założyć działko na pianę i podłączyć je do szybkozłączającego pistoletu.
4. Obrócić pokrętkę detergentu, aby, odpowiednio do potrzeb, dostosować ilość detergentu dodawanego do strumienia wody (rys. L2).

PL

KONSERWACJA

⚠ OSTRZEŻENIE! Aby uniknąć poważnych obrażeń ciała, przed serwisowaniem, czyszczeniem, wymianą osprzętu dodatkowego oraz usuwaniem materiału należy zawsze wyjmować z produktu akumulator.

KONSERWACJA OGÓLNA

Podczas czyszczenia części plastikowych należy unikać używania rozpuszczalników. Pod wpływem kontaktu z różnego rodzaju rozpuszczalnikami dostępnymi w handlu większość tworzyw może ulec uszkodzeniu. Do usuwania zabrudzeń, kurzu, oleju, smaru itp. należy używać czystej ściereczki.

⚠ OSTRZEŻENIE! Nigdy nie należy dopuszczać do kontaktu elementów plastikowych z substancjami takimi jak płyn hamulcowy, benzyna, produkty ropopochodne, oleje penetrujące itp. Substancje chemiczne mogą uszkodzić, osłabić lub zniszczyć tworzywa, co może w konsekwencji spowodować poważne obrażenia.

⚠ OSTRZEŻENIE! Aby zmniejszyć ryzyko pożaru, obrażeń ciała i uszkodzenia produktu w wyniku zwarcia, nigdy nie należy zanurzać maszyny, akumulatora ani ładowarki w płynach; nie należy też pozwalać, aby płyny dostały się do środka. Płyny żrące lub przewodzące, takie jak woda morską, niektóre chemikalia przemysłowe, wybielacze lub produkty zawierające wybielacze itp. mogą doprowadzić do zwarcia.

WYMIANA BATERII GUZIKOWEJ (Rys. M1&M2)

⚠ OSTRZEŻENIE! Chronić przed dziećmi. Połknięcie może prowadzić do oparzeń chemicznych, perforacji tkanek miękkich i śmierci. Poważne oparzenia mogą wystąpić w ciągu 2 godzin od spożycia. Należy natychmiast wezwać pomoc lekarską.

INFORMACJA: Nigdy nie należy wciskać akumulatora bezpośrednio do komory (Rys. M3). W przeciwnym razie oba zatrzaski ulegną uszkodzeniu, co spowoduje awarię pilota pistoletu.

M3-1	Zatrzaski boczne
------	------------------

UWAGA: Po wymianie baterii guzikowej pistolet należy ponownie sparować z myjką ciśnieniową. W tym celu należy wykonać instrukcje podane w części „Parowanie krótkiego pistoletu ciśnieniowego”.

CZYSZCZENIE FILTRÓW

- Odkręcić i zdjąć pokrętkę na króćcu wlotowym wody, a następnie wyjąć z niego metalową siatkę i przepłukać ją lub w razie potrzeby wymienić (Rys. N1).

N1-1	Siatka metalowa
------	-----------------

- Wyjąć filtr z węża z syfonem, wykręcić filtr, a następnie dokładnie go wypłukać (Rys. N2).

CZYSZCZENIE DYSZ (Rys. O)

Jeżeli otwory dysz są zatkane, aby je udrożnić i usunąć blokadę, można użyć dołączonej igły do czyszczenia dysz.

TRANSPORT MYJKI CIŚNIENIOWEJ (Rys. P)

Wcisnąć przycisk blokady rączki, a następnie wysunąć rączkę teleskopową do pierwszego poziomu długości tak, aby dało się słyszeć „kliknięcie”. W razie potrzeby można wcisnąć przycisk blokady rączki i wysunąć rączkę teleskopową na drugi poziom długości.

PRZECHOWYWANIE MYJKI CIŚNIENIOWEJ

1. Aby wyłączyć myjkę ciśnieniową, spuścić ciśnienie, spuścić wodę i wyjąć z myjki ciśnieniowej akumulator, wykonać instrukcje podane w części „Wyłączanie myjki ciśnieniowej”.
2. Schować dysze w przeznaczonym na dysze schowku w myjce ciśnieniowej (Rys. Q1).
3. Zwinąć wąż wysokociśnieniowy i schować go za uchwytem teleskopowym (Rys. Q2).
4. Zespół pistolet, lanca i rurka należy przechowywać w uchwytach; można też odłączyć pistolet i przechowywać go osobno w uchwycie górnym (Rys. Q3).
5. Przed schowaniem myjkę ciśnieniową należy dokładnie wyczyścić.
6. Myjkę ciśnieniową należy przechowywać w suchym i przewiewnym miejscu niedostępnym dla dzieci: albo pod kluczem, albo wystarczająco wysoko. Myjki ciśnieniowej nie należy używać na nawozach lub w ich pobliżu; to samo dotyczy benzyny i chemikaliów.

Ochrona środowiska



Urządzeń elektrycznych, zużytych akumulatorów i ładowarki nie należy wyrzucać do zwykłych zmieszanych śmieci domowych! Produkt należy oddać do zbiórki selektywnej w autoryzowanym punkcie recyklingu. Elektronarzędzia należy oddawać do przyjaznego dla środowiska zakładu recyklingu.

PL

ROZWIĄZYWANIE PROBLEMÓW

PROBLEM	PRZYCZYNA	ROZWIĄZANIE
Nie można włączyć myjki ciśnieniowej.	<ul style="list-style-type: none"> ■ Niski poziom naładowania akumulatora. ■ Akumulator nie jest prawidłowo zainstalowany. 	<ul style="list-style-type: none"> ■ Naładować akumulator. ■ Wsunąć akumulator do komory akumulatora, aż zatrzaśnie się na swoim miejscu.
Nie można włączyć prędkości TURBO.	<ul style="list-style-type: none"> ■ Myjka jest zasilana tylko jednym akumulatorem. 	<ul style="list-style-type: none"> ■ Użyć dwóch akumulatorów o pojemności 5,0 Ah lub większej.
Pompa myjki ciśnieniowej przestaje pracować, a wskaźnik prędkości na myjce miga trzema zielonymi kontrolkami.	<ul style="list-style-type: none"> ■ Myjka ciśnieniowa lub akumulator(y) są zbyt gorące. ■ Dysza jest zablokowana. ■ Do węża z syfonem nie wpływa woda. ■ Niski poziom naładowania akumulatora. ■ Inne usterki elektroniczne. 	<ul style="list-style-type: none"> ■ Począć, aż myjka ciśnieniowa lub akumulator(y) powrócą do temperatury roboczej, a następnie ponownie włączyć myjkę. ■ Do wyczyszczenia dyszy, aby przetkać otwory, użyć igły. ■ Sprawdzić i upewnić się, że woda prawidłowo wpływa do węża z syfonem. ■ Naładować akumulator. ■ Skontaktować się z serwisem obsługi klienta EGO .
Niski przepływ wody podczas spryskiwania.	<ul style="list-style-type: none"> ■ Filtr jest częściowo zablokowany. ■ Metalowa siatka w otworze wlotowym wody jest częściowo zatkana. ■ Filtr i szybkozłączka węża z syfonem nie są całkowicie zanurzone w wodzie. ■ Wąż z syfonem jest złożony. ■ Woda jest brudna. ■ Wąż wysokociśnieniowy jest zatkany. 	<ul style="list-style-type: none"> ■ Wyczyścić filtr. ■ Wyjąć i wyczyścić metalową siatkę. ■ Całkowicie zanurzyć filtr i szybkozłączkę w wodzie. ■ Rozłożyć wąż z syfonem lub wymienić go. ■ Używać wyłącznie czystej wody. ■ Wyjąć dyszę, a następnie rozpocząć rozpylanie wody z węża, aby usunąć zanieczyszczenia zapychające wąż.

PROBLEM	PRZYCZYNA	ROZWIĄZANIE
Z urządzenia nie jest rozpryskiwana woda.	<ul style="list-style-type: none"> ■ Brak doprowadzenia wody. ■ Filtr jest całkowicie zablokowany. ■ Metalowa siatka w porcie wlotowym wody jest całkowicie zatkana. ■ Dysza jest zablokowana. ■ Pompa, węże lub inne elementy są zamrożone. 	<ul style="list-style-type: none"> ■ Sprawdzić i upewnić się, że myjka jest prawidłowo podłączona do źródła wody. ■ Wyczyścić filtr. ■ Wyjąć i wyczyścić metalową siatkę. ■ Do wyczyszczenia dyszy, aby przetkać otwory, użyć igły. ■ Poczekać, aż odtają.
Przepływ wody nie jest stabilny.	<ul style="list-style-type: none"> ■ Do myjki dostaje się powietrze. ■ Zużyte uszczelki pompy. 	<ul style="list-style-type: none"> ■ Sprawdzić i upewnić się, że wąż z syfonem jest prawidłowo podłączony. ■ Skontaktować się z serwisem obsługi klienta EGO .
Rozpylanie wody zaczyna się lub kończy się automatycznie.	<ul style="list-style-type: none"> ■ Wąż wysokociśnieniowy jest uszkodzony. ■ Z pistoletu cieknie woda. ■ Zużyte uszczelki pompy i węża. 	<ul style="list-style-type: none"> ■ Wymienić go na nowy wąż wysokociśnieniowy. ■ Skontaktować się z serwisem obsługi klienta EGO . ■ Skontaktować się z serwisem obsługi klienta EGO .
Pistolet nie steruje myjką.	<ul style="list-style-type: none"> ■ Pistolet znajduje się poza zasięgiem połączenia bezprzewodowego. ■ Słaba bateria guzikowa. ■ Pistolet nie został prawidłowo sparowany. ■ Bateria guzikowa nie jest właściwie założona. 	<ul style="list-style-type: none"> ■ Zbliżyć pistolet do myjki ciśnieniowej. ■ Wymienić baterię guzikową na nową. ■ Dokończyć parowanie zgodnie z instrukcjami podanymi w części „Parowanie krótkiego pistoletu ciśnieniowego”. ■ Założyć baterię guzikową zgodnie z instrukcjami podanymi w części „WYMIANA BATERII GUZIKOWEJ”.

PL

GWARANCJA

POLITYKA GWARANCYJNA EGO

W celu zapoznania się z wszystkimi warunkami polityki gwarancyjnej EGO prosimy wejść na stronę egopowerplus.eu.

PŘEČTĚTE SI VŠECHNY POKYNY!



PŘEČTĚTE SI NÁVOD K OBSLUZE

VAROVÁNÍ: Z důvodu zajištění bezpečnosti a spolehlivosti musí všechny opravy provádět kvalifikovaný servisní technik.

BEZPEČNOSTNÍ SYMBOL

Účelem bezpečnostních symbolů je upoutat vaši pozornost k případným nebezpečím. Bezpečnostní symboly a jejich vysvětlení vyžadují vaši zvýšenou pozornost a porozumění. Výstražné symboly samy o sobě nevylučují žádné nebezpečí. Pokyny a varování nejsou náhradou vhodných opatření pro prevenci úrazů.

VAROVÁNÍ: Před použitím tohoto stroje si přečtěte a porozumějte všem bezpečnostním pokynům v tomto návodu k obsluze, včetně všech bezpečnostních výstražných symbolů, jako jsou „**NEBEZPEČÍ**“, „**VAROVÁNÍ**“ a „**UPOZORNĚNÍ**“. Nedodržení níže uvedených pokynů může mít za následek úraz elektrickým proudem, požár a/nebo vážná zranění osob.

VAROVÁNÍ: Nebezpečí požáru a popálení. Nerozebírejte, nezahřívejte nad 100 °C ani nespalujte. Před použitím uchovávejte akumulátor mimo dosah dětí v původním obalu. Použité akumulátory neprodlené likvidujte v souladu s místními předpisy pro recyklaci nebo likvidaci odpadu.

CZ

BEZPEČNOSTNÍ POKYNY

Na této stránce jsou zobrazeny a popsány bezpečnostní symboly, které se mohou na výrobku objevit. Před montáží a provozem si přečtěte, seznámte se a dodržujte veškeré pokyny ke stroji.



Bezpečnostní upozornění



Z důvodu snížení rizika úrazu si musí uživatel přečíst návod k obsluze.



Nikdy nepostíříkejte sebe, ostatní, zvířata, zdroje energie ani samotnou jednotku.



Tento výrobek je v souladu s platnými směrniciemi ES.



Nepřipojujte se k rozvodům pitné vody.



Posouzení shody ve Spojeném království



Odpadní elektrické výrobky se nesmí likvidovat spolu s domovním odpadem. Odevzdejte je do autorizovaného recyklačního střediska.



Tlak vody



Průtok vody



Provozní teplota



Stejnoseměrný proud

kg Kilogram

V Napětí

MPa Megapascal

°C Celsius

L/min Litry za minutu

IPX5 Ochrana před vodními paprsky

VAROVÁNÍ: Před použitím stroje si přečtěte všechny pokyny a porozumějte jim. Nedodržení níže uvedených pokynů může mít za následek úraz elektrickým proudem, požár anebo vážná poranění osob.

VAROVÁNÍ: Při použití vysokotlakých čističů může docházet k tvorbě aerosolů. Vdechování aerosolů může být zdraví nebezpečné.

VAROVÁNÍ: Vysokotlaké trysky mohou být při nesprávném použití nebezpečné. Proud nesmí směřovat na osoby, elektrická zařízení pod napětím ani na samotný stroj.

VAROVÁNÍ: Nepoužívejte stroj v dosahu osob, pokud nemají na sobě ochranný oděv.

VAROVÁNÍ: Pro čištění oděvů nebo obuvi nesměřujte proud proti sobě nebo jiným osobám.

VAROVÁNÍ: Nebezpečí výbuchu - Nestříkejte hořlavé kapaliny.

VAROVÁNÍ: Vysokotlaké čističe nesmějí používat děti ani nevyškolený personál.

VAROVÁNÍ: Vysokotlaké hadice, šroubení a spojky jsou důležité pro bezpečnost stroje.

VAROVÁNÍ: Voda, která protekla zpětným ventilem, se považuje za nepitnou.

VAROVÁNÍ: Nepoužívejte stroj, pokud jsou poškozeny důležité části stroje, např. bezpečnostní zařízení, vysokotlaké hadice, krátká tlaková pistole.

VAROVÁNÍ: V závislosti na aplikaci lze pro vysokotlaké čištění použít stíněné trysky, které výrazně sníží emise vodních aerosolů. Ne všechny aplikace však umožňují použití takového zařízení. Pokud není možné použít stíněné trysky na ochranu proti aerosolům, může být v závislosti na prostředí čištění nutná respirační maska třídy FFP 2 nebo ekvivalentní.

- Tento stroj není určen pro osoby (včetně dětí) se sníženými fyzickými, smyslovými nebo duševními schopnostmi nebo s nedostatkem zkušeností a znalostí. Děti musí být pod dozorem, aby si s výrobkem nehrály.
- Zjistěte, jak výrobek zastavit a rychle vypustit tlak. Důkladně se seznámte s ovládaním.
- Zabráňte náhodnému spuštění. Před připojením k akumulátoru, zvednutím nebo přenášením zařízení se ujistěte, že vypínač je ve vypnuté poloze. Přenášení

spotřebiče s prstem na vypínači nebo zapojování spotřebiče, který má zapnutý vypínač, může snadno způsobit nehodu či úraz.

- Při práci s pistolí si vždy uvědomte nebezpečí reakční síly a náhlého kroutícího momentu na stříkací sestavu.
- Nevystavujte spotřebič ani baterii nadměrným teplotám.
- Dávejte pozor na riziko zkratování svorek bateriového spotřebiče nebo baterie kovovými předměty.
- Dobíjecí baterie musí být před nabíjením ze spotřebiče vyjmuty.
- Různé typy baterií nebo nové a použité baterie se nesmí míchat.
- Vybité baterie musí být vyjmuty ze spotřebiče a bezpečně zlikvidovány.
- Pokud má být spotřebič skladován po delší dobu bez používání, je třeba baterie vyjmout.
- Místo dobíjecích baterií nepoužívejte nenabíjecí baterie.
- Nepoužívejte upravené nebo poškozené baterie.
- **Používejte pouze s uvedenými akumulátory a nabíječkami.**

Tyto pokyny uchovejte pro budoucí použití. Často se na ně odkazujte a používejte je k instruování ostatních, kteří mohou tento stroj používat. Pokud stroj někomu půjčíte, půjčte mu také tento návod k obsluze, aby nedošlo k nesprávnému použití výrobku nebo případně k úrazu.

TECHNICKÉ ÚDAJE

Napětí	56 V
Maximální jmenovitý tlak	135 bar
Maximální jmenovitý průtok (s připojenou lancetou s rychlospojku a nerezovou trubičkou)	6,5 l/min
Maximální jmenovitý průtok (pouze s připojenou krátkou tlakovou pistolí)	9,5 l/min
Omezený maximální tlak pro pistolí	250 barů
Omezený maximální průtok pro pistolí	30 l/min

CZ

Hmotnost (bez akumulátoru)	16,8 kg
Doporučená provozní teplota	5 °C - 40 °C
Doporučená skladovací teplota	- 20 °C - 70 °C
Měřená hladina akustického výkonu L_{WA}	84 dB(A) K=1,8 dB(A)
Hladina akustického tlaku na sluch obsluhy L_{PA}	72 dB(A) K=3 dB(A)
Zaručená úroveň akustického výkonu L_{WA} (podle 2000/14/ES)	86 dB(A)
Vibrace a_n	3,6 m/s ² K=0,9 m/s ²

- Celková deklarovaná hodnota vibrací byla naměřena podle standardní zkušební metody a lze ji použít ke srovnání s jiným nářadím;
- Celkovou deklarovanou hodnotu vibrací lze použít také k předběžnému stanovení expozičních limitů.

CZ

POZNÁMKA: Emise vibrací při konkrétním použití elektrického nářadí se mohou lišit od deklarované hodnoty, při které se nářadí používá; z důvodu ochrany provozovatele by měl uživatel ve skutečných pracovních podmínkách nosit rukavice a chrániče sluchu.

DOPORUČENÉ PŘÍSLUŠENSTVÍ

⚠ VAROVÁNÍ: Používejte pouze níže uvedené příslušenství. Použití příslušenství, které nespĺňuje specifikace původního zařízení, může vést k nesprávnému výkonu a ohrožení bezpečnosti.

NÁZEV DÍLU	ČÍSLO MODELU
Premiové pěnové dělo	AFC2000E
Turbo tryska	ANZ2000E-T
15° tryska	ANZ2015E
25° tryska	ANZ2025E
40° tryska	ANZ2040E
Oplachovací tryska	ANZ2000E-R

OBSAH BALENÍ (OBR. A1)

POPIS

SEZNAMTE SE S TLAKOVOU MYČKOU (obr. A1)

- Teleskopická rukojeť
- Tlačítko aretace rukojeti
- Horní držák
- Kolo (x2)
- Spodní držák
- Vstupní otvor pro vodu
- Výstupní otvor pro vodu
- Tlačítko rychlosti
- Ukazatel rychlosti
- Hlavní vypínač
- Příhrádka pro akumulátor
- Uložení trysek
- Kryt příhrádky pro akumulátor
- Elektrické kontakty
- Vysunovací mechanismus
- Tlačítko pro uvolnění akumulátoru
- Řemínek pro uchycení hadice
- Trubička z nerezové oceli
- Lanceta s rychlospojkou
- Vysokotlaká hadice
- Sifonová hadice
- Sada rychlospojek (x2)
- Pěnové dělo
- Filtr
- Jehla na čištění trysek
- Oplachovací tryska
- 40° tryska
- 25° tryska
- 15° tryska
- TURBO tryska
- Krátké tlakové pistole
- Kryt baterie
- 5LED palivoměr
- Ukazatel rychlosti
- Tlačítko rychlosti
- Rukojeť pistole
- Spouštěč
- Blokovací tlačítko

MONTÁŽ

MONTÁŽ SESTAVY DRŽÁKU (obr. B)

B-1	Horní držák	B-2	Spodní držák
B-3	Šrouby		

PŘIPOJENÍ VYSOKOTLAKÉ HADICE (obr. C - obr. D)

Vysokotlakou hadici můžete připojit jedním z následujících způsobů:

- Připojte vysokotlakou hadici k výstupnímu otvoru vody a k pistolí přímo pomocí závitových spojů (obr. C1 - obr. C2);
- Připojte vysokotlakou hadici k výstupnímu otvoru vody a k pistolí pomocí dvou sad rychlospojek, abyste dosáhli snadné instalace/odstranění (obr. D1 - obr. D2).

POZNÁMKA: Sady rychlospojek byly nainstalovány na výstupní otvor vody, vysokotlakou hadici a pistolí již z výroby.

PŘIPOJENÍ LANCETY A TRUBIČKY (obr. E1 - obr. E2)

Pro odpojení vyšroubujte trubičku z lancety a poté ji vytáhněte; uvolněte knoflík na zakončení a poté zatáhněte zpět za vnější kroužek rychlospojky pistolé, abyste lancetu vytáhli.

VAROVÁNÍ: Při odpojování lancety od pistolé vždy držte pistolí jednou rukou a lancetu druhou rukou. Při pádu lancety může dojít ke zranění osob.

PŘIPOJENÍ TRYSKY (obr. F1 / obr. F2)

POZNÁMKA: Trysky nelze připojit k lancetě.

- Pro instalaci na trubičku si vyberte trysku 15°, 25°, 40° nebo Turbo (obr. F1).

F1-1	15° tryska	F1-2	25° tryska
F1-3	40° tryska	F1-4	TURBO tryska

- Oplachovací tryska se připojuje přímo k pistolí (obr. F2).

F2-1	Oplachovací tryska
------	--------------------

VAROVÁNÍ: Při odpojování trysky od pistolé ji vždy držte jednou rukou a druhou rukou držte trysku. Při vyskočení trysky může dojít ke zranění osob.

Pomocí níže uvedené tabulky vyberte správnou trysku pro danou práci.

Výběr trysek	Použití
Žlutá 15° tryska	Čistíte malé kovové, betonové nebo dřevěné povrchy.
Zelená 25° tryska	Čistíte větší kovové, betonové nebo dřevěné povrchy.
Bílá 40° tryska	Čistíte široké kovové, betonové, dřevěné nebo vinylové povrchy.
Šedá oplachovací tryska	Oplachování vozidel. Opláchněte čisticí prostředek z kovu, betonu, dřeva nebo vinylu.
Turbo tryska	Čistíte pouze tvrdé povrchy. Aby nedošlo k poškození povrchu, nepoužívejte jej na automobily a dřevěné povrchy.

PŘIPOJENÍ PĚNOVÉHO DĚLA (obr. G)

Pěnové dělo se připojuje přímo k pistolí.

Pro odpojení zatáhněte za vnější kroužek rychlospojky a poté vytáhněte pěnové dělo.

PŘIPOJENÍ SIFONOVÉ HADICE (obr. H1 - obr. H2)

Pokud jako zdroj vody používáte vědro (není součástí dodávky), připojte tlakovou myčku k sifonové hadici.

POZNÁMKA: Předem naplňte vědro, aby filtr po ponoření nevyplaval na hladinu.

PŘIPOJENÍ K ZAHRADNÍ HADICI (NENÍ SOUČÁSTÍ DODÁVKY)

Pokud jako zdroj vody používáte vodovodní kohoutek (není součástí dodávky), připojte tlakovou myčku k zahradní hadici (není součástí dodávky).

CZ

OBSLUHA

POUŽITÍ

Výrobek lze použít k následujícím účelům:

- Čištění nečistot na automobilech, stěnách, podlahách atd.

INSTALACE/VYJMUTÍ AKUMULÁTORU

Používejte pouze EGO akumulátory a nabíječky uvedené na obr. A2.

Další podrobnosti naleznete v příslušných příručkách k akumulátorům a nabíječkám.

Před prvním použitím akumulátor plně nabijte.

POZNÁMKA: Použití jednoho akumulátoru neumožní dosáhnout rychlosti TURBO. Pro dosažení nejlepšího výkonu důrazně doporučujeme použít dva akumulátory s kapacitou 5,0 Ah nebo vyšší.

1. Zvedněte kryt příhrádky pro akumulátor zvednutím přední části krytu.
2. **Pro připojení** zarovnejte žebra akumulátoru s montážními otvory v jednom z nich a zatlačte akumulátor dolů, dokud neuslyšíte „cvaknutí“. Připojte druhý akumulátor (obr. I1).
3. **Pro odpojení** stiskněte tlačítko pro uvolnění akumulátoru a vytáhněte jej (obr. I2).

I2-1	Tlačítko pro uvolnění akumulátoru
------	-----------------------------------

4. Zavřete kryt příhrádky pro akumulátor.

SPUŠTĚNÍ/ODSTRAŇOVÁNÍ TLAKOVÉ MYČKY (obr. J)

Spuštění tlakové myčky

POZNÁMKA: Tlakovou myčku nespouštějte bez připojeného a zapnutého přívodu vody. To může poškodit vysokotlaká těsnění a snížit životnost čerpadla.

1. Zkontrolujte, zda jsou sifonová hadice, vysokotlaká hadice, pistole a tryska správně připojeny.
2. Připojte lancetu, trubičku, pěnové dělo, filtr podle svých potřeb.
3. Vyberte si jeden z níže uvedených způsobů zásobování vodou:
 - Při použití zahradní hadice (není součástí dodávky) připojte tlakovou myčku k zahradní hadici a poté otevřete vodovodní kohoutek.

- Při použití vědra s vodou připojte filtr k sifonové hadici a poté ponořte filtr a rychlospojku zcela do vědra s vodou.

4. Nainstalujte akumulátory.
5. Tlakovou myčku zapnete stisknutím hlavního vypínače. Myčka po každém spuštění vždy běží na vysoké otáčky.

POZNÁMKA: Pokud je tlaková myčka zapnutá, ale neprovádí se žádné další činnosti, po 5 minutách pohotovostního režimu se automaticky vypne. Během prvních několika minut pohotovostního režimu bude ukazatel rychlosti na tlakové myčce blikat třemi zelenými kontrolkami, což znamená, že do sifonové hadice neproudí žádná voda.

6. Držte pistolí oběma rukama, stiskněte odemykací stranu tlačítka uzamčení a poté stiskněte spoušť, dokud se neobjeví stálý proud vody.

POZNÁMKA: Pokud je lanceta připojena, držte pistolí jednou rukou a lancetu druhou rukou.

7. Začněte s postřikováním.

POZNÁMKA: Může trvat nějakou dobu, než se voda dostane od zdroje a začne z trysky vytékat jako stálý proud. Chcete-li rychle dosáhnout stálého průtoku vody, můžete:

- a. Vymout trysku.
- b. Stiskněte spoušť a počkejte, dokud z trubičky nezačne vycházet stálý proud vody.
- c. Uvolněte spoušť a znovu nasadte trysku.

Zastavení tlakové myčky

1. Po dokončení mytí uvolněte spoušť a stisknutím tlačítka uzamčení uzamkněte polohu.
2. Tlakovou myčku vypnete stisknutím hlavního vypínače.
3. Zavřete vodovodní kohoutek nebo vyjměte sifonovou hadici z vědra s vodou.
4. Stiskněte tlačítko uzamčení pistole do odemykací polohy a stisknutím spouště vypustěte vodu z hadic.

POZNÁMKA: Pistole, hadice, trubičky, trysky nebo pěnové dělo by neměly být odpojeny po dobu, kdy v hadicích zůstává voda.

5. Odpojte a vyjměte pistolí, hadice, trubičky, trysky nebo pěnové dělo.
6. Stisknutím hlavního vypínače tlakovou myčku zapněte a vyprázdněte vodu v tlakové myčce.

7. Tlakovou myčku vypnete opětovným stisknutím hlavního vypínače.
8. Vyměňte akumulátor(y).

DÁLKOVÉ OVLÁDÁNÍ

Pistolí lze spárovat s tlakovou myčkou a používat ji jako dálkové ovládání.

Párování krátké tlakové pistole (obr. K)

1. Vložte akumulátory a zapněte vysokotlakou myčku.
2. Dlouze stiskněte tlačítko rychlosti na vysokotlaké myčce, dokud nezačnou blikat tři zelené kontrolky.

POZNÁMKA: Blikání trvá přibližně 20 s, takže pistolí lze spárovat pouze během této doby. Režim párování můžete také kdykoli ukončit krátkým stisknutím tlačítka rychlosti na myčce.

3. Dlouze stiskněte tlačítko rychlosti na pistolí, dokud nezačnou blikat tři zelené kontrolky, což znamená, že byl zahájen proces párování.

POZNÁMKA: Blikání signalizující proces párování bude trvat přibližně 10 s. Proces párování můžete kdykoli ukončit krátkým stisknutím tlačítka rychlosti na pistolí.

4. Na kontrolkách rychlosti na myčce a pistolí se na 3 s zobrazí tři zelená světla společně, což signalizuje, že spárování proběhlo úspěšně, a poté se zobrazí dvě zelená světla.
5. Pokud se spárování nezdaří, kontrolky rychlosti na myčce a pistolí třikrát zeleně zablikají a poté zhasnou.

Používání dálkového ovládání

Po dokončení párování stiskněte jednou tlačítko rychlosti na pistolí, rozsvítí se 5 LED palivoměru a kontrolka rychlosti. Opětovným stisknutím tlačítka rychlosti rychlost skutečně změníte.

POZNÁMKA:

- 5-LED palivoměr se vypne, pokud během 10 s nedojde k dalšímu stisknutí tlačítka rychlosti pistole.
- Palivoměr s 5 LED diodami ukazuje stav nabití akumulátoru. Pokud jsou nainstalovány dva akumulátory, indikuje úroveň nabití akumulátoru s vyšší úrovní nabití.
- Ukazatel rychlosti na pistolí je vždy synchronizován s ukazatelem rychlosti na tlakové myčce.

VOLBA RYCHLOSTI

- Rychlost tlakové myčky lze nastavit pomocí tlačítka rychlosti na myčce nebo na spážené pistolí.
- Rychlost tlakové myčky lze nastavit při zapnutí myčky nebo během stříkání.
- Při každém stisknutí tlačítka rychlosti se rychlost přepíná mezi vysokou úrovní, úrovní TURBO a nízkou úrovní. Kontrolka rychlosti zobrazuje jedno zelené světlo, dvě zelená světla nebo tři zelená světla, která indikují, že tlaková myčka pracuje při nízkých otáčkách, vysokých otáčkách nebo TURBO.

POZNÁMKA: Pokud je vložen pouze jeden akumulátor, nelze dosáhnout rychlosti TURBO a při každém stisknutí tlačítka rychlosti se rychlost přepíná mezi vysokou a nízkou úrovní.

POZNÁMKA: Pokud bude tlaková myčka stále pracovat na rychlost TURBO, může to mít vliv na dobu provozu na jedno nabití.

ČIŠTĚNÍ MYCÍM PROSTŘEDKEM

VAROVÁNÍ: Používejte pouze mycí prostředky speciálně vyrobené pro použití s tlakovými myčkami. Dodržujte pokyny výrobce čisticího prostředku týkající se použití, likvidace a bezpečnosti.

1. Otočte lahev pěnového děla proti směru hodinových ručiček a vyjměte ji (obr. L1).
2. Nalijte prací prostředek do láhve.

POZNÁMKA: Teplota pracovního prostředku by neměla překročit 60 °C.

3. Vyměňte pěnové dělo a připojte jej k rychlospojce pistole.
4. Otáčením knoflíku mycího prostředku nastavte množství mycího prostředku přidávaného do proudu vody podle vašich potřeb (obr. L2).

ÚDRŽBA

VAROVÁNÍ: Před servisem, čištěním, výměnou nástavců nebo odstraněním materiálu vyjměte akumulátor z výrobku, aby nedošlo k vážnému úrazu.

CELKOVÁ ÚDRŽBA

K čištění plastových dílů nepoužívejte rozpouštědla. Většina plastů je náchylná k poškození různými typy komerčních rozpouštědel a jejich použití je může poškodit. K odstranění nečistot, prachu, oleje, maziva atd. použijte čistý hadr.

VAROVÁNÍ: Nikdy nedovolte, aby došlo ke styku plastových částí s brzdovými kapalinami, benzínem, ropnými produkty, penetračními oleji atd. Chemické látky mohou poškodit, zeslabit nebo poškodit plast, což může vést k vážnému úrazu.

VAROVÁNÍ: Abyste snížili riziko požáru, zranění osob a poškození výrobku v důsledku zkratu, nikdy neponořujte stroj, akumulátor nebo nabíječku do kapaliny ani nedovolte, aby do nich proudila tekutina. Korozivní nebo vodivé kapaliny, jako je mořská voda, určité průmyslové chemikálie a výrobky obsahující bělidla nebo bělidla atd., mohou způsobit zkrat.

VÝMĚNA KNOFLÍKOVÉ BATERIE (obr. M1&M2)

VAROVÁNÍ: Uchovávejte mimo dosah dětí. Polknutí může vést k chemickým popáleninám, perforaci měkkých tkání a smrti. Do 2 hodin po požití může dojít k těžkým popáleninám. Okamžitě vyhledejte lékařskou pomoc.

UPOZORNĚNÍ: Nikdy nezasouvajte baterii přímo do příhrádky (obr. M3). V opačném případě dojde k poškození obou svorek, což způsobí poruchu dálkového ovládání pistole.

M3-1	Spony
------	-------

POZNÁMKA: Po výměně knoflíkové baterie opravte pistoli s tlakovou myčkou podle pokynů uvedených v části „Párování krátké tlakové pistole“.

ČIŠTĚNÍ FILTRŮ

- Odšroubujte a sejměte knoflík na přívodním otvoru vody a poté vyjměte kovovou sítku z přívodního otvoru vody, kovovou sítku opláchněte nebo ji v případě potřeby vyměňte (obr. N1).

N1-1	Kovová síťka
------	--------------

- Vyjměte filtr ze sifonové hadice, vyšroubujte jej a poté jej důkladně opláchněte (obr. N2).

ČIŠTĚNÍ TRYSEK (obr. O)

Pokud jsou otvory trysek ucpané, můžete použít přiloženou jehlu na čištění trysek, abyste otvory prošli a odstranili ucpaní.

PŘEVOZ TLAKOVÉ MYČKY (obr. P)

Stiskněte tlačítko aretace rukojeti a poté vytáhněte teleskopickou rukojeť na první úroveň délky, dokud neuslyšíte „cvaknutí“. V případě potřeby můžete stisknout tlačítko aretace rukojeti a poté teleskopickou rukojeť vytáhnout na druhou úroveň délky.

ULOŽENÍ TLAKOVÉ MYČKY

- Zastavte tlakovou myčku, uvolněte tlak, vypusťte vodu a vyjměte akumulátor z tlakové myčky podle pokynů v části „Zastavení tlakové myčky“.
- Trysky ukládejte do prostoru pro uložení trysek tlakové myčky (obr. Q1).
- Srolujte vysokotlakou hadici a uložte ji za teleskopickou rukojeť (obr. Q2).
- Uložte sestavu pistole, lancety a trubičky do držáků nebo odpojte pistoli a uložte ji do horních držáků (obr. Q3).
- Před uskladněním tlakovou myčku důkladně vyčistěte.
- Tlakovou myčku skladujte na suchém, dobře větraném, uzamčeném nebo vyvýšeném místě mimo dosah dětí. Neskladujte ji v blízkosti hnojiv, benzínu nebo jiných chemikálií.

Ochrana životního prostředí



Elektrické zařízení, použité baterie nabíječku nevhazujte do domovního odpadu! Tento výrobek předejte autorizované recyklační společnosti ke tříděnému sběru. Elektrické nářadí musí být vráceno do zařízení pro ekologickou recyklaci.

ODSTRAŇOVÁNÍ ZÁVAD

PROBLÉM	PŘÍČINA	ŘEŠENÍ
Tlakovou myčku se nedaří zapnout.	<ul style="list-style-type: none"> ■ Akumulátor je málo nabitý. ■ Akumulátor není správně nainstalován. 	<ul style="list-style-type: none"> ■ Nabijte akumulátor. ■ Zasuňte akumulátor do přihrádky pro akumulátor, dokud nezapadne na své místo.
Rychlost TURBO nebylo možné aktivovat.	<ul style="list-style-type: none"> ■ Pro provoz myčky se používá pouze jeden akumulátor. 	<ul style="list-style-type: none"> ■ Použijte dva akumulátory s kapacitou 5,0 Ah nebo vyšší.
Čerpadlo tlakové myčky přestane pracovat a indikátor otáček na myčce bliká třemi zelenými kontrolkami.	<ul style="list-style-type: none"> ■ Tlaková myčka nebo akumulátory jsou přehřáté. ■ Tryska je zablokovaná. ■ Do sifonové hadice neproudí žádná voda. ■ Akumulátor je málo nabitý. ■ Jiné elektronické závady. 	<ul style="list-style-type: none"> ■ Vyčkejte, dokud se tlaková myčka nebo akumulátory nevrátí na provozní teplotu, a poté myčku znovu spusťte. ■ Otvory projděte čistící jehlou trysky. ■ Zkontrolujte a ujistěte se, že do sifonové hadice řádně proudí voda. ■ Nabijte akumulátor. ■ Kontaktujte zákaznický servis EGO.
Průtok vody je během postřiku nízký.	<ul style="list-style-type: none"> ■ Filtr je částečně ucpaný. ■ Kovová síťka v přírodním otvoru vody je částečně zablokovaná. ■ Filtr a rychlospojka sifonové hadice nejsou zcela ponořeny do vody. ■ Hadice sifonu je zalomená. ■ Voda je špinavá. ■ Vysokotlaká hadice je ucpaná. 	<ul style="list-style-type: none"> ■ Vyčistěte filtr. ■ Vyměňte a vyčistěte kovovou síťku. ■ Filtr a rychlospojku zcela ponořte do vody. ■ Rozložte sifonovou hadici nebo ji vyměňte. ■ Používejte pouze čistou vodu. ■ Odstraňte trysku a poté začněte stříkat vodu z hadice, abyste odstranili ucpaní hadice.

PROBLÉM	PŘÍČINA	ŘEŠENÍ
Voda nestříká ven.	<ul style="list-style-type: none"> ■ Neexistuje žádný zdroj vody. ■ Filtr je zcela ucpaný. ■ Kovová síťka v přívodním otvoru vody je zcela zablokována. ■ Tryska je zablokována. ■ Čerpadlo, hadice nebo jiné součásti jsou zamrzlé. 	<ul style="list-style-type: none"> ■ Zkontrolujte a ujistěte se, že je myčka správně připojena k přívodu vody. ■ Vyčistěte filtr. ■ Vyjměte a vyčistěte kovovou síťku. ■ Otvory projděte čistící jehlou trysky. ■ Počkejte, až rozmrznou.
Průtok vody není stabilní.	<ul style="list-style-type: none"> ■ Do myčky proudí vzduch. ■ Těsnění čerpadla jsou opotřebovaná. 	<ul style="list-style-type: none"> ■ Zkontrolujte a ujistěte se, že je sifonová hadice správně připojena. ■ Kontaktujte zákaznický servis EGO.
CZ Stříkání vody se spouští nebo zastavuje automaticky.	<ul style="list-style-type: none"> ■ Vysokotlaká hadice je poškozená. ■ Z pistole uniká voda. ■ Těsnění čerpadla, těsnění hadic jsou opotřebovaná. 	<ul style="list-style-type: none"> ■ Vyměňte ji za novou vysokotlakou hadici. ■ Kontaktujte zákaznický servis EGO. ■ Kontaktujte zákaznický servis EGO.
Pistole nemůže ovládat myčku.	<ul style="list-style-type: none"> ■ Poloha pistole je mimo dosah bezdrátového připojení. ■ Knoflíková baterie je slabě nabitá. ■ Pistole není správně spárována. ■ Knoflíková baterie není správně nainstalována. 	<ul style="list-style-type: none"> ■ Přiblížte pistoli k tlakové myčce. ■ Vyměňte ji za novou knoflíkovou baterii. ■ Spárování dokončete podle pokynů v části „Párování krátké tlakové pistole“. ■ Knoflíkovou baterii nainstalujte podle pokynů v části „VÝMĚNA KNOFLÍKOVÉ BATERIE“.

ZÁRUKA

ZÁRUČNÍ PODMÍNKY SPOLEČNOSTI EGO

Úplné záruční podmínky společnosti EGO naleznete na webové stránce egopowerplus.eu.

PREČÍTAJTE SI VŠETKY POKYNY!



PREČÍTAJTE SI NÁVOD NA OBSLUHU.

VAROVANIE: Pre zaistenie bezpečnosti a spoľahlivosti je nevyhnutné, aby všetky opravy vykonával len kvalifikovaný servisný technik.

BEZPEČNOSTNÝ SYMBOL

Účelom bezpečnostných symbolov je upozorniť na možné nebezpečenstvá. Venujte príslušnú pozornosť a pochopte bezpečnostné symboly a ich vysvetlenia. Varovné symboly, samy o sebe, nedokážu eliminovať nebezpečenstvo. Pokyny a varovania, ktoré obsahujú, nie sú náhradou za vhodné opatrenia na prevenciu úrazov.

VAROVANIE: Pred použitím tohto stroja si nezabudnite prečítať všetky bezpečnostné pokyny v tomto návode na obsluhu, vrátane všetkých bezpečnostných výstražných symbolov, ako sú „**NEBEZPEČENSTVO**“, „**VAROVANIE**“ a „**UPOZORNENIE**“. Nedodržanie nižšie uvedených pokynov môže mať za následok úraz elektrickým prúdom, požiar a/alebo vážne zranenie.

VAROVANIE: Riziko požiaru a popálenín. Nerozoberajte, nezahrievajte nad 100 °C a nespálujte. Uchovávajte akumulátor mimo dosahu detí a v pôvodnom obale, kým nebude pripravená na použitie. Použité akumulátory ihneď zlikvidujte v súlade s miestnymi predpismi na recykláciu a odpady.

BEZPEČNOSTNÉ POKYNY

Táto strana zobrazuje a popisuje bezpečnostné symboly, ktoré sa objavujú na tomto výrobku. Pred pokusom o zostavenie a prevádzkovanie si prečítajte, pochopte a dodržiavajte všetky pokyny na stroji.

SK


Bezpečnostné upozornenie



Používateľ si musí prečítať návod na obsluhu, aby znížil riziko úrazu.



Nikdy nestriekajte na seba, iné osoby, zvieratá, zdroje energie ani na samotnú jednotku.



Tento výrobok je v súlade s platnými smernicami ES.



Nepripájajte sa na rozvody pitnej vody.



Posúdenie zhody v Spojenom kráľovstve



Odpadové elektrické výrobky sa nesmú likvidovať spolu s domovým odpadom. Odovzdajte do autorizovaného recyklačného strediska.



Tlak vody



Prietok vody



Prevádzková teplota



Jednosmerný prúd

kg Kilogram

V Napätie

MPa Megapascal

IPX5 Ochrana pred prúdom vody

⚠ VAROVANIE: Pred použitím stroja si prečítajte a pochopte všetky pokyny. Nedodržanie nižšie uvedených pokynov môže mať za následok úraz elektrickým prúdom, požiar a/alebo vážne zranenie.

⚠ VAROVANIE: Pri používaní vysokotlakových umývačiek sa môžu tvoriť aerosóly. Vdychovanie aerosólov môže byť nebezpečné pre zdravie.

⚠ VAROVANIE: Vysokotlakové trysky môžu byť pri nesprávnom používaní nebezpečné. Prúd nesmie smerovať na osoby, elektrické zariadenia pod napätím ani na samotný stroj.

⚠ VAROVANIE: Stroj nepoužívajte v dosahu osôb, pokiaľ nemajú na sebe ochranný odev.

⚠ VAROVANIE: Na čistenie odevov alebo obuvi nesmerujte prúd proti sebe alebo iným osobám.

⚠ VAROVANIE: Nebezpečenstvo výbuchu - Nestriekajte horľavé kvapaliny.

⚠ VAROVANIE: Vysokotlakové čističe nesmú používať deti alebo nevyškolený personál.

⚠ VAROVANIE: Vysokotlakové hadice, armatúry a spojky sú dôležité pre bezpečnosť stroja.

⚠ VAROVANIE: Voda, ktorá pretiekla cez spätný uzáver, sa považuje za nepitnú.

⚠ VAROVANIE: Stroj nepoužívajte, ak sú poškodené dôležité časti stroja, napr. bezpečnostné zariadenia, vysokotlakové hadice, krátka tlaková pištoľ.

⚠ VAROVANIE: V závislosti od aplikácie možno na vysokotlakové čistenie použiť tienené trysky, ktoré výrazne znížia emisie vodných aerosólov. Nie všetky aplikácie však umožňujú použitie takéhoto zariadenia. Ak nie sú na ochranu pred aerosólmi použiteľné tienené trysky, môže byť v závislosti od čistiaceho prostredia potrebná respiračná maska triedy FFP 2 alebo ekvivalentná.

- Tento stroj nie je určený na používanie osobami (vrátane detí) so zníženými fyzickými, zmyslovými alebo duševnými schopnosťami alebo s nedostatkom skúseností a znalostí. Dozrite na to, aby sa deti so spotrebičom nehrali.
- Zistíte, ako rýchlo zastaviť výrobok a znížiť tlak. Dôkladne sa oboznámte s ovládacími prvkami.
- Zabráňte neúmyselnému uvedeniu do prevádzky. Pred pripojením akumulátora, pri zdvíhaní alebo prenášaní náradia sa uistite, že vypínač je vo vypnutej polohe. Prenášanie náradia s prstom na vypínači alebo aktivácia náradia, ktoré má zapnutý vypínač, môže viesť k úrazu.
- Pri práci s pištoľou si vždy uvedomte nebezpečenstvo reakčnej sily a náhleho krútiaceho momentu na striekacej zostave.
- Spotrebič ani batériu nevystavujte nadmerným teplotám.
- Dávajte pozor na riziko skratu svoriek batériu napájaného spotrebiča alebo batérie kovovými predmetmi.
- Nabíjateľné batérie je potrebné pred nabíjaním zo spotrebiča vybrať
- Rôzne typy batérií alebo nové a použité batérie sa nesmú miešať.
- Vybité batérie je potrebné zo spotrebiča vybrať a bezpečne zlikvidovať
- Ak sa prístroj nebude dlhší čas používať, vyberte batérie.
- Namiesto nabíjateľných batérií nepoužívajte nenabíjateľné batérie.
- Nepoužívajte upravené alebo poškodené batérie.
- **Používajte len s uvedenými akumulátormi a nabíjačkami.**

Odložte si tieto pokyny. Často na ne odkazujte a používajte ich na poučenie ostatných, ktorí môžu tento stroj používať. Ak niekomu požičiate tento stroj, odovzdajte mu aj tieto pokyny, aby sa zabránilo zneužitiu výrobku a prípadnému zraneniu.

TECHNICKÉ ÚDAJE

Napätie	56 V
Maximálny menovitý tlak	135 bar
Maximálny menovitý prietok (s pripojenou kancetou s rýchlospojkou a trubičkou z nehrdzavejúcej ocele)	6,5 l/min
Maximálny menovitý prietok (len s pripojenou krátkou tlakovou pištoľou)	9,5 l/min
Obmedzený maximálny tlak pre pištoľ	250 barov
Obmedzený maximálny prietok pre pištoľ	30 l/min
Hmotnosť (bez akumulátora)	16,8 kg
Odporúčaná prevádzková teplota	5 °C – 40 °C
Odporúčaná skladovacia teplota	-20°C – 70 °C
Hladina akustického výkonu L_{WA}	84 dB(A) K=1,8 dB(A)
Hladina akustického tlaku pri uchu obsluhy L_{PA}	72 dB(A) K=3 dB(A)
Garantovaná hladina akustického výkonu L_{WA} (meraná podľa 2000/14/EC)	86 dB(A)
Vibrácie a_h	3,6 m/s ² K=0,9 m/s ²

- Deklarovaná celková hodnota vibrácií bola meraná v súlade so štandardnou skúšobnou metódou a môže sa použiť na vzájomné porovnanie jednotlivých náradí;
- Uvádzaná celková hodnota vibrácie sa môže použiť aj na predbežný odhad expozície.

POZNÁMKA: Emisia vibrácií pri skutočnom používaní náradia sa môže odlišovať od deklarovanej hodnoty, pri akej sa nástroj používa; za účelom ochrany obsluhy má používateľ v skutočných podmienkach použitia nosiť rukavice a ochranu sluchu.

ODPORÚČANÉ PRÍSLUŠENSTVO

⚠ VAROVANIE: Používajte len príslušenstvo uvedené nižšie. Používanie príslušenstva, ktoré nespĺňa špecifikácie originálneho vybavenia, môže viesť k nesprávnemu výkonu a ohrozeniu bezpečnosti.

NÁZOV DIELU	ČÍSLO MODELU
Prémiové penové delo	AFC2000E
Turbo tryska	ANZ2000E-T
15° tryska	ANZ2015E
25° tryska	ANZ2025E
40° tryska	ANZ2040E
Oplachovacia tryska	ANZ2000E-R

OBSAH BALENIA (OBR. A1)

POPIS

SPOZNAJTE VAŠU TLAKOVÚ UMÝVAČKU (obr. A1)

- Teleskopická rukoväť
- Tlačidlo zablokovania rukoväte
- Horná konzola držiaka
- Koleso (x2)
- Spodná konzola držiaka
- Prívodný otvor vody
- Výstupný otvor vody
- Tlačidlo rýchlosti
- Ukazovateľ rýchlosti
- Hlavný vypínač
- Priehradka na akumulátor
- Ukladanie trysiek
- Kryt priehradky na akumulátor
- Elektrické kontakty
- Vysúvací mechanizmus
- Tlačidlo uvoľnenia akumulátora
- Popruh držiaka hadice
- Trubička z nehrdzavejúcej ocele
- Lanceta s rýchlospojkou
- Vysokotlaková hadica
- Sifónová hadica
- Súprava rýchlospojok (x2)
- Penové delo
- Filter
- Ihla na čistenie trysiek
- Oplachovacia tryska
- 40° tryska
- 25° tryska

SK

- 29. 15° tryska
- 30. TURBO tryska
- 31. Krátka tlaková pištoľ
- 32. Kryt akumulátora
- 33. 5-LED palivomer
- 34. Ukazovateľ rýchlosti
- 35. Tlačidlo rýchlosti
- 36. Rukoväť pištole
- 37. Spúšťač
- 38. Zaisťovacie tlačidlo

MONTÁŽ

MONTÁŽ ZOSTAVY DRŽIAKA (obr. B)

B-1	Horná konzola držiaka	B-2	Spodná konzola držiaka
B-3	Skrutky		

PRIPOJENIE VYSOKOTLAKOVEJ HADICE

(obr. C - obr. D)

Vysokotlakovú hadicu môžete pripojiť jedným z nasledujúcich spôsobov:

- Vysokotlakovú hadicu pripojíte k výstupnému otvoru vody a k pištoľi priamo pomocou závitových konektorov (obr. C1 - obr. C2);
- Vysokotlakovú hadicu pripojíte k výstupnému otvoru vody a k pištoľi pomocou dvoch rýchlospojok, aby ste dosiahli jednoduchú inštaláciu/odstránenie (obr. D1 - obr. D2).

POZNÁMKA: Súpravy rýchlospojok boli nainštalované na výstupný otvor vody, vysokotlakovú hadicu a pištoľ už vo výrobe.

PRIPOJENIE LANCETY A TRUBIČKY

(obr. E1 - obr. E2)

Ak ho chcete odpojiť, odskrutkujte trubičku z lancety a potom ju vytiahnite; uvoľnite gombík na lancete a potom potiahnite späť vonkajší krúžok rýchlospojky pištole, aby ste lancetu vytiahli.

VAROVANIE: Pri odpojovaní lancety od pištole vždy držte pištoľ jednou rukou a lancetu druhou rukou. Pri páde lancety môže dôjsť k zraneniu osôb.

PRIPOJENIE TRYSKY (obr. F1 / obr. F2)

POZNÁMKA: Trysky nemožno pripojiť k lancete.

- Na inštaláciu na trubičku si vyberte 15° trysku, 25° trysku, 40° trysku alebo Turbo trysku (obr. F1).

F1-1	15° tryska	F1-2	25° tryska
F1-3	40° tryska	F1-4	TURBO tryska

- Oplachovacia tryska sa pripája priamo na pištoľ (obr. F2).

F2-1	Oplachovacia tryska
------	---------------------

VAROVANIE: Pri odpojovaní trysky od pištole vždy držte pištoľ jednou rukou a trysku druhou rukou. Ak tryska vyskočí, môže dôjsť k zraneniu osôb.

Pomocou nasledujúcej tabuľky vyberte správnu trysku pre danú úlohu.

Výber trysky	Použitie
Žltá 15° tryska	Čistíte malé kovové, betónové alebo drevené povrchy.
Zelená 25° tryska	Čistíte väčšie kovové, betónové alebo drevené povrchy.
Biela 40° tryska	Čistíte široké kovové, betónové, drevené alebo vinylové povrchy.
Sivá oplachovacia tryska	Opláchnite vozidlá. Opláchnite čistiaci prostriedok z kovu, betónu, dreva alebo vinylu.
Turbo tryska	Čistíte len tvrdé povrchy. Aby ste zabránili poškodeniu povrchu, nepoužívajte ju na autá a drevené povrchy.

PRIPOJENIE PENOVÉHO DELA (obr. G)

Penové delo sa pripája priamo na pištoľ.

Ak chcete odpojiť, stiahnite vonkajší krúžok rýchlospojky a potom vytiahnite penové delo.

PRIPOJENIE SIFÓNOVEJ HADICE

(obr. H1 - obr. H2)

Ak ako zdroj vody používate vedro (nie je súčasťou dodávky), pripojte tlakovú umývačku k sifónovej hadici.

POZNÁMKA: Najprv naplňte vedro, aby filter po ponorení nevyplával na hladinu.

SK

PRIPOJENIE K ZÁHRADNEJ HADICI (NIE JE SÚČASŤOU DODÁVKY)

Ak ako zdroj vody používate vodovodný kohútik (nie je súčasťou dodávky), pripojte tlakovú umývačku k záhradnej hadici (nie je súčasťou dodávky).

OBSLUHA

POUŽITIE

Tento výrobok môžete použiť na tieto uvedené účely:

- Odstraňovanie nečistôt na automobiloch, stenách, podlahách atď.

PRIPOJENIE/ODPOJENIE AKUMULÁTORA

Používajte iba EGO akumulátory a nabíjačky uvedené na obr. A2.

Ďalšie podrobnosti nájdete v príslušných návodoch pre akumulátory a nabíjačky.

Pred prvým použitím úplne nabite.

POZNÁMKA: Použitie jedného akumulátora vám neumožní dosiahnuť rýchlosť TURBO. Na dosiahnutie najlepšieho výkonu dôrazne odporúčame používať dva akumulátory s kapacitou 5,0 Ah alebo viac.

1. Zdvihnite kryt priehradky na akumulátory zdvihnutím prednej časti krytu.
2. **Ak chcete akumulátor pripevniť**, zarovnajtie rebrá s montážnymi otvormi v jednom z nich a zatlačte akumulátor, kým nebudete počuť „cvaknutie“. Pripojte druhý akumulátor (obr. I1).
3. **Ak chcete akumulátor odpojiť**, stlačte tlačidlo na uvoľnenie akumulátora a vytiahnite ho (obr. I2).

I2-1	Tlačidlo na uvoľnenie akumulátora
------	-----------------------------------

4. Zatvorte kryt priehradky na akumulátor.

SPUSTENIE/VYPNUTIE TLAKOVEJ UMÝVAČKY (obr. J)

Spustenie tlakovej umývačky

POZNÁMKA: Tlakovú umývačku nespúšťajte bez pripojeného a zapnutého prívodu vody. To môže poškodiť vysokotlakové tesnenia a znížiť životnosť čerpadla.

1. Skontrolujte, či sú sifónová hadica, vysokotlaková hadica, pištoľ a tryska správne pripojené.
2. Pripojte lancetu, trubičku, penové delo, filter podľa vašich potrieb.

3. Vyberte si jeden z nasledujúcich spôsobov zásobovania vodou:
 - Ak používate záhradnú hadicu (nie je súčasťou dodávky), pripojte tlakovú umývačku k záhradnej hadici a potom otvorte vodovodný kohútik.
 - Pri použití vedra s vodou pripojte filter k sifónovej hadici a potom ponorte filter a rýchlospojku úplne do vedra s vodou.
4. Nainštalujte akumulátory.
5. Stlačením hlavného vypínača zapnite tlakovú umývačku. Po každom spustení bude umývačka vždy bežať na vysoké otáčky.

POZNÁMKA: Keď je tlaková umývačka zapnutá, ale nevykonáva žiadne ďalšie činnosti, po 5 minútach pohotovostného režimu sa automaticky vypne. Počas prvých niekoľkých minút pohotovostného režimu bude indikátor rýchlosti na tlakovej umývačke blikať tromi zelenými svetlami, čo znamená, že do sifónovej hadice neprúdi žiadna voda.

6. Držte pištoľ oboma rukami, stlačte odomykaciu stranu zaistovacieho tlačidla a potom stlačte spúšť, kým sa nevytvorí stály prúd vody.

POZNÁMKA: Ak je pripojená lanceta, jednou rukou držte pištoľ a druhou rukou lancetu.

7. Začnite umývať postrekom.

POZNÁMKA: Môže trvať určitý čas, kým sa voda dostane od zdroja a vyjde z trysky ako rovnomerný prúd. Ak chcete rýchlo dosiahnuť stabilný prítok vody, môžete:

- a. Odstrániť trysku.
- b. Stlačte spúšť a počkajte, kým z prútku nezačne vychádzať stály prúd vody.
- c. Uvoľnite spúšť a znovu nasadte trysku.

Zastavenie tlakovej umývačky

1. Po dokončení umývania uvoľnite spúšť a stlačením zaistovacieho tlačidla uzamknite polohu.
2. Stlačením hlavného vypínača vypnite tlakovú umývačku.
3. Zatvorte vodovodný kohútik alebo vyberte sifónovú hadicu z vedra s vodou.
4. Stlačte zaistovacie tlačidlo pištole do polohy odomknutia a stlačením spúšte vyprázdňte vodu z hadíc.

POZNÁMKA: Pištoľ, lancety, trubičky, trysky alebo penové delo by sa nemali odpojiť, kým v hadiciach zostáva voda.

SK

5. Odpojte a vyberte pištoľ, lancety, trubičky, trysky alebo penové delo.
6. Stlačením hlavného vypínača zapnite tlakovú umývačku, aby sa voda v tlakovej umývačke vyprázdnila.
7. Opätovným stlačením hlavného vypínača tlakovú umývačku vypnete.
8. Vyberte akumulátor.

DIAĽKOVÉ OVLÁDANIE

Pištoľ je možné spárovať s tlakovou umývačkou, aby fungovala ako diaľkové ovládanie.

Párovanie krátkej tlakovej pištole (obr. K)

1. Vložte akumulátory a zapnite vysokotlakovú umývačku.
2. Dlhو stláčajte tlačidlo rýchlosti na vysokotlakovú umývačku, kým nezačnú blikať tri zelené kontrolky.

POZNÁMKA: Blikanie trvá približne 20 s, takže pištoľ je možné spárovať len počas tohto času. Režim párovania môžete kedykoľvek ukončiť aj krátkym stlačením tlačidla rýchlosti na umývačke.

3. Dlhو stláčajte tlačidlo rýchlosti na pištoľ, kým nezačnú blikať tri zelené kontrolky, čo znamená, že sa začal proces párovania.

POZNÁMKA: Blikanie signalizujúce proces párovania bude trvať približne 10 s. Proces párovania môžete kedykoľvek ukončiť krátkym stlačením tlačidla rýchlosti na pištoľi.

4. Na indikátoroch rýchlosti na umývačke a pištoľi sa na 3 s zobrazia tri zelené svetlá spolu, čo znamená, že spárovanie prebehlo úspešne, a potom sa zobrazia dve zelené svetlá.
5. Ak spárovanie zlyhalo, indikátory rýchlosti na umývačke a pištoľi zablíkajú trikrát zeleným svetlom a potom zhasnú.

Používanie diaľkového ovládania

Po dokončení párovania stlačte raz tlačidlo rýchlosti na pištoľi, rozsvieti sa 5-LED palivomer a indikátor rýchlosti. Opätovným stlačením tlačidla rýchlosti skutočne zmeníte rýchlosť.

POZNÁMKA:

- 5-LED palivomer a indikátor rýchlosti sa vypnú, keď do 10 s nedôjde k ďalšiemu stlačeniu tlačidla rýchlosti na pištoľi.

- Palivomer s 5 LED diódami ukazuje úroveň nabitia akumulátora. Ak sú nainštalované dva akumulátory, indikuje úroveň nabitia akumulátora s vyššou úrovňou nabitia.
- Ukazovateľ rýchlosti na pištoľi je vždy synchronizovaný s ukazovateľom rýchlosti na tlakovej umývačke.

VÝBER RÝCHLOSTI

- Rýchlosť tlakovej umývačky sa dá nastaviť tlačidlom rýchlosti na umývačke alebo na spárovej pištoľi.
- Rýchlosť tlakovej umývačky sa dá nastaviť pri zapnutí umývačky alebo počas striekania.
- Pri každom stlačení tlačidla rýchlosti sa rýchlosť prepína medzi vysokou úrovňou, úrovňou TURBO a nízkou úrovňou. Na indikátore rýchlosti sa zobrazí jedno zelené svetlo, dve zelené svetlá alebo tri zelené svetlá, ktoré indikujú, že tlaková umývačka pracuje pri nízkej rýchlosti, vysokej rýchlosti alebo TURBO.

POZNÁMKA: Ak je vložený iba jeden akumulátor, rýchlosť TURBO nie je možné dosiahnuť a pri každom stlačení tlačidla rýchlosti sa rýchlosť prepína medzi vysokou a nízkou úrovňou.

POZNÁMKA: Ak tlaková umývačka bude stále pracovať pri rýchlosti TURBO, môže to ovplyvniť čas prevádzky na jedno nabitie.

UMÝVANIE S ČISTIACIM PROSTRIEDKOM

VAROVANIE: Používajte iba čistiace prostriedky špeciálne vyrobené na použitie s tlakovými umývačkami. Dodržiavajte pokyny výrobcu čistiaceho prostriedku týkajúce sa použitia, likvidácie a bezpečnosti.

1. Otočte fľašu penového delá proti smeru hodinových ručičiek a vyberte ju (obr. L1).
2. Do fľaše nalejte čistiaci prostriedok.

POZNÁMKA: Teplota čistiaceho prostriedku by nemala presiahnuť 60 °C.

3. Namontujte penové delo a pripojte ho k rýchlospojke pištole.
4. Otáčaním gombíka čistiaceho prostriedku nastavte množstvo čistiaceho prostriedku pridaného do prietoku vody podľa vašich potrieb (obr. L2).

SK

ÚDRŽBA

VAROVANIE: Aby nedošlo k vážnemu zraneniu, tak pred vykonávaním údržby, čistením, výmenou príslušenstva alebo odstraňovaním materiálu z výrobku vyberte akumulátor z náradia.

VŠEOBECNÁ ÚDRŽBA

Na čistenie plastových dielov nepoužívajte rozpúšťadlá. Väčšina plastov je náchylná na poškodenie rôznymi typmi komerčných rozpúšťadiel a môžu sa poškodiť, ak sa rozpúšťadlá použijú. Použite čistú handru na odstránenie nečistôt, prachu, oleja, maziva, atď.

VAROVANIE: Nikdy nedovoľte, aby sa brzdové kvapaliny, benzín, ropné výrobky, penetračné oleje atď. dostali do kontaktu s plastovými časťami. Chemické látky môžu poškodiť, oslabiť alebo zničiť plast, čo môže viesť k vážnemu zraneniu.

VAROVANIE: Aby ste znížili riziko požiaru, zranenia osôb a poškodenia výrobku v dôsledku skratu, nikdy neponárajte váš stroj, akumulátor alebo nabíjačku do tekutiny a nedovoľte, aby do nich pretiekla tekutina. Korozívne alebo vodivé kvapaliny, ako je morská voda, určité priemyselné chemikálie a bieliadlá alebo výrobky obsahujúce bieliadlá atď., môžu spôsobiť skrat.

VÝMENA GOMBÍKOVEJ BATÉRIE (obr. M1&M2)

VAROVANIE: Uchovávajte mimo dosahu detí. Prehltutie môže viesť k chemickým popáleninám, perforácii mäkkého tkaniva a smrti. Do 2 hodín po požití môže dôjsť k ťažkým popáleninám. Okamžite vyhľadajte lekársku pomoc.

POZNÁMKA: Batériu nikdy nezasúvajte priamo do priehradky (obr. M3). V opačnom prípade dôjde k poškodeniu oboch svoriek, čo spôsobí poruchu diaľkového ovládania pištole.

M3-1	Spony
------	-------

POZNÁMKA: Po výmene gombíkovej batérie opravte pištoľ s tlakovou umývačkou podľa pokynov uvedených v časti „Párovanie krátkej tlakovej pištole“.

ČISTENIE FILTROV

- Odskrutkujte a odstráňte gombík na prívodnom otvore vody a potom vyberte kovovú sieťku z prívodného otvoru vody, opláchnite kovovú sieťku alebo ju v prípade potreby vymeňte (obr. N1).

N1-1	Kovová sieťka
------	---------------

- Odstráňte filter zo sifónovej hadice, odskrutkujte filter a potom ho dôkladne opláchnite (obr. N2).

ČISTENIE TRYSIEK (obr. O)

Ak sú otvory trysiek zablokované, môžete použiť priložené ihlu na čistenie trysiek, ktorá prejde cez otvory a odstráni zablokovanie.

PREPRAVA TLAKOVEJ UMÝVAČKY (obr. P)

Stlačte tlačidlo zablokovania rukoväte a potom vytiahnite teleskopickú rukoväť na prvú úroveň dĺžky, kým nebudete počuť „cvaknutie“. V prípade potreby môžete stlačiť tlačidlo zablokovania rukoväte a potom vytiahnuť teleskopickú rukoväť na druhú úroveň dĺžky.

USKLADNENIE TLAKOVEJ UMÝVAČKY

1. Zastavte tlakovú umývačku, uvoľnite tlak, vyprázdňte vodu a vyberte akumulátor z tlakovej umývačky podľa pokynov v časti „Zastavenie tlakovej umývačky“.
2. Trysky skladujte v priestore na uskladnenie trysiek tlakovej umývačky (obr. Q1).
3. Vysokotlakovú hadicu zrolujte a uložte ju za teleskopickú rukoväť (obr. Q2).
4. Zostavu pištole, lancety a trubičky uložte do držiakov alebo odpojte pištoľ a uložte ju do horných držiakov (obr. Q3).
5. Pred uskladnením tlakovú umývačku dôkladne vyčistite.
6. Prístroj skladujte na suchom a dobre vetranom uzamknutom alebo vyvýšenom mieste mimo dosahu detí. Neskladujte tlakovú umývačku v blízkosti hnojív, benzínu alebo iných chemikálií.

SK

Ochrana životného prostredia



Nevyhadzujte elektrické zariadenia, nabíjačku a použité akumulátory do domového odpadu! Tento výrobok odneste na autorizované recyklačné miesta a poskytnite ho na separovaný zber. Elektrické náradie sa musí odovzdať do príslušného zariadenia na ekologicky šetrnú recykláciu.

ODSTRAŇOVANIE PORÚCH

PROBLÉM	PRÍČINA	RIEŠENIE
Tlaková umývačka sa nedá zapnúť.	<ul style="list-style-type: none"> ■ Nabitie akumulátora je nízke. ■ Akumulátor nie je správne nainštalovaný. 	<ul style="list-style-type: none"> ■ Nabite akumulátor. ■ Zatláčte akumulátor do priestoru pre akumulátor, až kým nebudete počuť „kliknutie“.
Rýchlosť TURBO nebolo možné aktivovať.	<ul style="list-style-type: none"> ■ Na prevádzku umývačky sa používa len jeden akumulátor. 	<ul style="list-style-type: none"> ■ Použite dva akumulátory s kapacitou 5,0 Ah alebo viac.
Čerpadlo tlakovej umývačky prestane pracovať a indikátor rýchlosti na umývačke bliká tromi zelenými svetlami.	<ul style="list-style-type: none"> ■ Tlaková umývačka alebo akumulátory sú prehriate. ■ Tryska je zablokovaná. ■ Do sífónovej hadice neprúdi žiadna voda. ■ Nabitie akumulátora je nízke. ■ Iné elektronické poruchy. 	<ul style="list-style-type: none"> ■ Počkajte, kým sa tlaková umývačka alebo akumulátory nevrátia na prevádzkovú teplotu, a potom umývačku znovu spustíte. ■ Pomocou ihly na čistenie trysiek prejdite cez otvory. ■ Skontrolujte a uistite sa, že do sífónovej hadice správne prúdi voda. ■ Nabite akumulátor. ■ Kontaktujte zákaznický servis EGO.
Prietok vody je počas striekania nízky.	<ul style="list-style-type: none"> ■ Filter je čiastočne zablokovaný. ■ Kovová sieťka v privode vody je čiastočne zablokovaná. ■ Filter a rýchlospojka sífónovej hadice nie sú úplne ponorené do vody. ■ Hadica sífónu je zalomená. ■ Voda je špinavá. ■ Vysokotlaková hadica je zablokovaná. 	<ul style="list-style-type: none"> ■ Vyčistite filter. ■ Odstráňte a vyčistite kovovú sieťku. ■ Filter a rýchlospojku úplne ponorte do vody. ■ Rozložte sífónovú hadicu alebo ju vymeňte. ■ Používajte len čistú vodu. ■ Odstráňte trysku a potom začnite striekať vodu z hadice, aby ste odstránili upchatie hadice.

PROBLÉM	PRÍČINA	RIEŠENIE
Voda nevystrekuje von.	<ul style="list-style-type: none"> ■ Nie je tu žiadny prívod vody. ■ Filter je úplne zablokovaný. ■ Kovová sieťka v otvore na prívod vody je úplne zablokovaná. ■ Tryska je zablokovaná. ■ Čerpadlo, hadice alebo iné komponenty sú zamrznuté. 	<ul style="list-style-type: none"> ■ Skontrolujte, či je umývačka správne pripojená k prívodu vody. ■ Vyčistite filter. ■ Odstráňte a vyčistite kovovú sieťku. ■ Pomocou ihly na čistenie trysiek prejdite cez otvory. ■ Počkejte, kým sa rozmrazia.
Prietok vody nie je stabilný.	<ul style="list-style-type: none"> ■ Do umývačky prúdi vzduch. ■ Tesnenia čerpadla sú opotrebované. 	<ul style="list-style-type: none"> ■ Skontrolujte a uistite sa, že je sifónová hadica správne pripojená. ■ Kontaktujte zákaznícky servis EGO.
Striekanie vody sa spustí alebo zastaví automaticky.	<ul style="list-style-type: none"> ■ Vysokotlaková hadica je poškodená. ■ Z pištole uniká voda. ■ Tesnenia čerpadla, hadice sú opotrebované. 	<ul style="list-style-type: none"> ■ Vymeňte ju za novú vysokotlakovú hadicu. ■ Kontaktujte zákaznícky servis EGO. ■ Kontaktujte zákaznícky servis EGO.
Pištoľ nemôže ovládať umývačku.	<ul style="list-style-type: none"> ■ Poloha pištole je mimo dosahu bezdrôtového pripojenia. ■ Nabitie gombíkovej batérie akumulátora je nízke. ■ Pištoľ nie je správne spárovaná. ■ Gombíková batéria nie je správne nainštalovaná. 	<ul style="list-style-type: none"> ■ Priblížte pištoľ k tlakovej umývačke. ■ Vymeňte za novú gombíkovú batériu. ■ Dokončite párovanie podľa pokynov časti „Párovanie krátkej tlakovej pištole“. ■ Gombíkovú batériu nainštalujte podľa pokynov v časti „VÝMENA GOMBÍKOVEJ BATÉRIE“.

SK

ZÁRUKA

ZÁRUČNÁ POLITIKA EGO

Úplné znenie záručných podmienok EGO nájdete na webovej stránke egopowerplus.eu.

OLVASSA EL AZ ÖSSZES UTASÍTÁST!



OLVASSA EL A HASZNÁLATI ÚTMUTATÓT

▲ FIGYELMEZTETÉS: A biztonságosság és megbízhatóság biztosítása érdekében minden javítást szakképzett szerviztechnikusnak kell elvégeznie.

BIZTONSÁGI SZIMBÓLUM

A biztonsági szimbólumok célja, hogy felhívják a figyelmet az esetleges veszélyekre. Nagyon figyeljen a biztonsági szimbólumokra és magyarázatokra, ill. ezek megértésére. A szimbólumok figyelmeztetéseit önmagukban nem hárítják el a veszélyeket. Az utasítások és figyelmeztetések nem helyettesítik a megfelelő balesetmegelőző intézkedéseket.

▲ FIGYELMEZTETÉS: A gép használata előtt feltétlenül olvassa el és értse meg a jelen kezelési útmutatóban található valamennyi biztonsági utasítást, valamint a „VESZÉLY”, „FIGYELMEZTETÉS” és „FIGYELEM” biztonsági figyelmeztető szimbólumokat is. Az alább felsorolt utasítások be nem tartása áramütést, tűzveszélyt és/vagy súlyos személyi sérülést idézhet elő.

▲ FIGYELMEZTETÉS: Tűz- és égésveszély. Ne szerelje szét, ne tegye ki 100 °C-nál magasabb hőnek, és ne dobja tűzbe. Az akkumulátort tartsa távol gyermekektől, és tartsa az eredeti csomagolásban, amíg használni nem kezd. Az elhasznált akkumulátorokat a helyi újrahasznosítási szabályoknak megfelelően ártalmatlanítsa.

BIZTONSÁGI ELŐÍRÁSOK

HU

Ezen az oldalon olyan biztonsági szimbólumok láthatók és olvashatók, amelyek megjelenhetnek a terméken. Az összeszerelés vagy működtetés előtt olvassa el, értse meg és tartsa be a gép minden utasítását.



Biztonsági figyelmeztetés



A sérülések kockázatának csökkentése érdekében a használónak el kell olvasnia a használati útmutatót.



Soha ne permetezze le magát, másokat, állatokat, áramforrásokat vagy magát a berendezést.



A termék megfelel az érvényes EK irányelveknek.



Ne csatlakoztassa az ivóvízhálózatra.



Az Egyesült Királyság szerinti megfelelőség értékelve



Az elhasználadott elektromos termékek nem helyezhetők a háztartási hulladékok közé. Vigye hivatalos újrahasznosító telephelyre.



Víznyomás



Vízáramlás



Működési hőmérséklet



Egyenáram

kg Kilogramm

V Feszültség

MPa Megapascal

°C Celsius

L/min Liter/perc

IPX5 Védelem a vízsugarak ellen

▲ FIGYELMEZTETÉS: A gép használata előtt olvassa el és érte meg az összes utasítást. Az alább felsorolt utasítások be nem tartása áramütést, tűzveszélyt és/vagy súlyos személyi sérülést idézhet elő.

▲ FIGYELMEZTETÉS: Nagynyomású tisztítógépek használata során aeroszokok képződhetnek. Az aeroszokok belélegzése veszélyes lehet az egészségre nézve.

▲ FIGYELMEZTETÉS: A nagynyomású fúvókák veszélyesek lehetnek, ha helytelenül használják őket. Nem szabad a sugarat személyekre, feszültség alatt álló elektromos berendezésekre vagy magára a gépre irányítani.

▲ FIGYELMEZTETÉS: Ne használja a gépet személyek közelében, ha nem viselnek védőruházatot.

▲ FIGYELMEZTETÉS: Ne irányítsa a fúvókát önmagára vagy másokra a ruhák vagy lábbelik tisztítása céljából.

▲ FIGYELMEZTETÉS: Robbanásveszély – Ne permetezzen gyúlékony folyadékokat.

▲ FIGYELMEZTETÉS: A nagynyomású tisztítógépek nem használhatják gyermekek vagy képzetlen alkalmazottak.

▲ FIGYELMEZTETÉS: A nagynyomású tömlők, szerelvények és csatlakozók fontosak a gép biztonsága szempontjából.

▲ FIGYELMEZTETÉS: A visszafolyásgátlókon átfolyó víz nem minősül ivóvíznek.

▲ FIGYELMEZTETÉS: Ne használja a gépet, ha a gép fontos részei sérültek, pl. biztonsági berendezések, nagynyomású tömlők, rövid nyomópisztoly.

▲ FIGYELMEZTETÉS: Az alkalmazástól függően árnyékolt fúvókák használhatók nagynyomású tisztításhoz, ami drámai módon csökkenti a víztartalmú aeroszokok kibocsátását. Nem minden alkalmazás teszi azonban lehetővé egy ilyen eszköz használatát. Ha az aeroszokok elleni védelemhez nem alkalmazhatóak árnyékolt fúvókák, akkor a tisztítandó környezettől függően FFP 2 osztályú vagy azzal egyenértékű légzőmaszkra lehet szükség.

- Ezt a gépet nem használhatják csökkent fizikai, érzékszervi vagy mentális képességű, illetve tapasztalattal és ismeretekkel nem rendelkező személyek (köztük gyermekek). A gyermekeket mindig felügyelni kell, hogy ne játszhassanak a készülékkel.
- Ismerje meg, hogyan kell leállítani a terméket és gyorsan leeresztani a nyomást. Ismerje meg alaposan a vezérlőket.
- Akadályozza meg a véletlen indítást. Ügyeljen arra, hogy a kapcsoló kikapcsolt állásban legyen, mielőtt az akkumulátoregységhez csatlakoztatja, felveszi vagy viszi a készüléket. Balesetekhez vezethet, ha a hálózatra csatlakoztatott készüléket úgy viszi, hogy közben az ujjá a bekapcsoló gombon van, vagy ha a hálózati csatlakozódugót olyankor dugja be az aljzatba, amikor a készülék be van kapcsolva.
- A pisztoly működtetésekor mindig legyen tisztában a reakcióerő és a szóróegységre ható hirtelen nyomaték veszélyével.
- Ne engedje, hogy szélsőséges hőmérsékletek érjék a készüléket vagy az akkumulátort.
- Legyen tisztában azzal a veszéllyel, hogy az akkumulátorral működő készülék vagy az akkumulátor csatlakozóit fémtárgyak rövidre zárhatják.
- Az újratölthető akkumulátorokat töltés előtt ki kell venni a készülékből.
- Nem szabad együtt használni különböző fajtájú, vagy új és használt elemeket.
- A lemerült akkumulátorokat ki kell venni a készülékből, és biztonságosan kell ártalmatlanítani őket.
- Ha a készüléket használaton kívül hosszabb ideig tárolja, akkor az akkumulátorokat ki kell venni.
- Ne használjon nem újratölthető elemeket az újratölthető akkumulátorok helyett.
- Ne használjon módosított vagy sérült akkumulátorokat.
- **Csak a meghatározott akkumulátorokkal és töltőkkel használható.**

Őrizze meg ezt az útmutatót. Időnként olvassa át, és használja, amikor másokat tanítan a gép használatára. Ha valakinek kölcsön adja ezt a gépet, akkor adja át a használati utasítást is a helytelen használat és lehetséges sérülések elkerülése érdekében.

HU

JELLEMZŐK

Feszültség	56 V
Maximális névleges nyomás	135 bar
Maximális névleges áramlás (csatlakoztatott gyorscsatlakozó lándzsával és rozsdamentes acél fejjel)	6,5 l/perc
Maximális névleges áramlás (csak rövid nyomópisztoly csatlakoztatásával)	9,5 l/perc
Korlátozott maximális nyomás a pisztolyhoz	250 bar
Korlátozott maximális áramlás a pisztolyhoz	30 l/perc
Súly (akkumulátoregység nélkül)	16,8 kg
Javasolt üzemi hőmérséklet	5°C – 40°C
Javasolt tárolási hőmérséklet	-20 °C – 70 °C
Mért hangteljesítményszint L_{WA}	84 dB(A) K=1,8 dB(A)
Hangnyomásszint a kezelő fülénél L_{PA}	72 dB(A) K=3 dB(A)
Mért hangteljesítményszint L_{WA} (a 2000/14/EK szerint mérve)	86 dB(A)
Vibráció a_h	3,6 m/s ² K=0,9 m/s ²

- A névleges rezgési összérték mérése standard bevizsgálási módszerrel történt, és használatával a szerszámok egymással összehasonlíthatók.
- A névleges rezgési összérték a kockázat előzetes felméréséhez is felhasználható.

MEGJEGYZÉS: Az elektromos szerszám aktuális használata közben a rezgés kibocsátás eltérhet attól a névleges értéktől, amellyel a szerszámot használják: a kezelő védelme érdekében használnak kesztyűt és hallásvédőt kell használnia működtetés közben.

JAVASOLT TARTOZÉKOK

▲ FIGYELMEZTETÉS: Csak az alábbiakban felsorolt tartozékokat használja. Az olyan tartozékok használata, amelyek nem felelnek meg az eredeti eszköz műszaki adatainak, nem megfelelő teljesítményt eredményez, és befolyásolja a biztonságot.

ALKATRÉSZ NEVE	MODELLSZÁM
Prémium habosító	AFC2000E
Turbó fúvóka	ANZ2000E-T
15°-os fúvóka	ANZ2015E
25°-os fúvóka	ANZ2025E
40° fúvóka	ANZ2040E
Öblítő fúvóka	ANZ2000E-R

A CSOMAG TARTALMA (A1 ÁBRA)

LEÍRÁS

ISMERJE MEG A NAGYNOMÁSÚ MOSÓT (A1 ábra)

1. Teleszkópos fogantyú
2. Fogantyúzár gomb
3. Felső tartókonzol
4. Kerék (2 db)
5. Alsó tartókonzol
6. Vízbevezető nyílás
7. Vízkivezető nyílás
8. Sebesség gomb
9. Sebesséjelző
10. Főkapcsoló gomb
11. Akkumulátortartó
12. Fúvóka tárolóhely
13. Akkumulátortartó fedele
14. Elektromos érintkezők
15. Kioldó mechanizmus
16. Akkumulátor kioldógomb
17. Tömítő tartópánt
18. Rozsdamentes acél fej
19. Gyorscsatlakozó lándzsa
20. Nagynyomású tömlő
21. Szifontömítő
22. Gyorscsatlakozó készlet (2 db)
23. Hab ágyú
24. Szűrő
25. Fúvóka tisztítótű
26. Öblítő fúvóka

HU

27. 40°-os fúvóka
28. 25°-os fúvóka
29. 15°-os fúvóka
30. TURBÓ fúvóka
31. Rövid nyomópisztoly
32. Akkumulátor burkolat
33. 5-LED-es üzemenyagszint-mérő
34. Sebességjelző
35. Sebesség gomb
36. Pisztoly fogantyú
37. Kapcsoló
38. Reteszelő gomb

ÖSSZESZERELÉS

A TARTÓKONZOL EGYSÉG FELSZERELÉSE (B ábra)

B-1	Felső tartókonzol	B-2	Alsó tartókonzol
B-3	Csavarok		

A NAGNYOMÁSÚ TÖMLŐ CSATLAKOZTATÁSA (C ábra – D ábra)

A nagynyomású tömlőt az alábbiak közül bármelyik módon csatlakoztathatja:

- Csatlakoztassa a nagynyomású tömlőt a vízkivezető nyíláshoz és a pisztolyhoz közvetlenül a menetes csatlakozók segítségével (C1 ábra – C2 ábra);
- A nagynyomású tömlőt két gyorscsatlakozó készlet segítségével csatlakoztassa a vízkivezető nyíláshoz és a pisztolyhoz a könnyű felszerelés/levétel érdekében (D1 ábra – D2 ábra).

MEGJEGYZÉS: A gyorscsatlakozó-készleteket gyárilag szerelték fel a vízkivezető nyílásra, a nagynyomású tömlőre és a pisztolyra.

A LÁNC ÉS A FEJ CSATLAKOZTATÁSA (E1 ábra – E2 ábra)

A leválasztáshoz csavarja le a fejet a lándzsáról, majd húzza ki; lazítsa meg a lándzsán lévő gombot, majd húzza vissza a pisztoly gyorscsatlakozójának külső gyűrűjét a lándzsa kihúzásához.

FIGYELMEZTETÉS: Amikor leválasztja a lándzsát a pisztolyról, mindig az egyik kezével fogja a pisztolyt, a másikkal pedig a lándzsát. A lándzsa leesése személyi sérülést okozhat.

A FÚVÓKA CSATLAKOZTATÁSA (F1 ábra / F2 ábra)

MEGJEGYZÉS: A fúvókák nem csatlakoztathatók a lándzsához.

- Válassza ki a 15°-os fúvókát, a 25°-os fúvókát, a 40°-os fúvókát vagy a Turbó fúvókát, amit a fejre fog felszerelni (F1 ábra).

F1-1	15°-os fúvóka	F1-2	25°-os fúvóka
F1-3	40°-os fúvóka	F1-4	TURBÓ fúvóka

- Az öblítőfúvóka közvetlenül a pisztolyhoz csatlakozik (F2 ábra).

F2-1	Öblítő fúvóka
------	---------------

FIGYELMEZTETÉS: Amikor leválasztja a fúvókát a pisztolyról, mindig az egyik kezével fogja a pisztolyt, a másikkal pedig a fúvókát. Személyi sérüléshez vezethet, ha a fúvóka kiugrik.

Az alábbi táblázat segítségével válassza ki a munkának megfelelő fúvókát.

Fúvóka kiválasztása	Feladatok
Sárga 15°-os fúvóka	Kisebb fém-, beton- vagy fafelületek tisztításához.
Zöld 25°-os fúvóka	Nagyobb fém-, beton- vagy fafelületek tisztításához.
Fehér 40°-os fúvóka	Széles fém-, beton-, fa- vagy vinilfelületek tisztításához.
Szürke öblítő fúvóka	Járművek öblítéséhez. Mosószer fémről, betonról, fáról vagy vinilről történő leöblítéséhez.
Turbó fúvóka	Kizárólag kemény felületeket tisztítson. A felületi sérülések elkerülése érdekében ne használja autókön és fafelületeken.

HU

A HABÁGYÚ CSATLAKOZTATÁSA (G ábra)

A habágyú közvetlenül a pisztolyhoz csatlakozik.

A leválasztásához húzza vissza a gyorscsatlakozó külső gyűrűjét, majd húzza ki a habágyút.

A SZIFONTÖMLŐ CSATLAKOZTATÁSA (H1 ábra – H2 ábra)

Ha vízforrásként vödört használ (nem tartozék), csatlakoztassa a nagynyomású mosót a szifontömlőhöz.

MEGJEGYZÉS: Töltse fel előre a vödört, hogy a szűrő a vízbe merítéskor ne ússzon a felszínre.

CSATLAKOZTATÁS KERTI TÖMLŐHÖZ (NEM TARTOZÉK)

Ha vízforrásként vízcsapot használ (nem tartozék), csatlakoztassa a nagynyomású mosót a kerti tömlőhöz.

HASZNÁLAT

ALKALMAZÁS

A terméket az alább felsorolt célokra használhatja:

- Autókon, falakon, padlókon stb. lévő szennyeződések eltávolításához.

AZ AKKUMULÁTOREGYSÉG BERAKÁSA/ KIVÉTELE

Csak az A2 ábrán felsorolt EGO akkumulátoregységeket és töltőket használja.

További részletekért tekintse meg a megfelelő akkumulátoregységek és töltők kézikönyvét.

Az első használat előtt teljesen töltse fel.

MEGJEGYZÉS: Egy akkumulátorcsomag használatával nem érheti el a **TURBO sebességet.**

A legjobb teljesítmény érdekében erősen javasoljuk két 5,0 Ah vagy annál nagyobb Ah akkumulátoregység használatát.

1. Emelje fel az akkumulátortartó fedelét a fedél elülső részének megemelésével.
2. **A behelyezéshez** illessze az akkumulátor bordázatát a szerelőnyílásokhoz, és nyomja le az akkumulátoregységet, amíg kattánást nem hall. Helyezze be a másik akkumulátort (I1. ábra).
3. **A kivételhez** nyomja meg az akkumulátor kioldógombot, és húzza ki az akkumulátoregységet (I2. ábra).

I2-1	Akkumulátor kioldógomb
------	------------------------

4. Csupkja be az akkumulátortartó fedelét.

A NAGYNYOMÁSÚ MOSÓ INDÍTÁSA/LEÁLLÍTÁSA (J ábra)

A nagynyomású mosó elindítása

MEGJEGYZÉS: Ne indítsa el a nagynyomású mosót csatlakoztatott és bekapcsolt vízellátás nélkül. Ez károsíthatja a nagynyomású tömítéseket, és csökkentheti a szivattyú élettartamát.

1. Győződjön meg róla, hogy a szifontömlő, a nagynyomású tömlő, a pisztoly és a fúvóka megfelelően van csatlakoztatva.
2. Csatlakoztassa a lándzsát, a fejet, a habágyút, a szűrőt az igényei szerint.
3. Válasszon az alábbi vízellátási módok közül:
 - Kerti tömlő (nem tartozék) használata esetén csatlakoztassa a nagynyomású mosót a kerti tömlőhöz, majd nyissa meg a vízcsapot.
 - Ha vizesvödört használ, csatlakoztassa a szűrőt a szifontömlőhöz, majd a szűrőt és a gyorscsatlakozót teljesen merítse a vizesvödörbe.
4. Helyezze be az akkumulátoregysége(ke)t.
5. Nyomja meg a főkapcsoló gombot a nagynyomású mosó bekapcsolásához. A mosó minden indítás után mindig nagy sebességgel fog futni.

MEGJEGYZÉS: Ha a nagynyomású mosó be van kapcsolva, de nincs további művelet, a mosó 5 perc készenléti állapot után automatikusan kikapcsol. A készenléti állapot első néhány percében a nagynyomású mosó sebességjelzője háromszor villant zölden, ami azt jelzi, hogy a szifontömlőbe nem folyik víz.

6. Fogja meg a pisztolyt mindkét kezével, nyomja meg az elzáró gomb kioldó oldalát, majd nyomja addig a ravaszt, amíg egyenletes vízáramlás nem jön létre.

MEGJEGYZÉS: Ha a lándzsa csatlakoztatva van, tartsa egyik kezével a pisztolyt, a másikkal pedig a lándzsát.

7. Kezdje el a permetezéses mosást.

MEGJEGYZÉS: Eltarthat egy ideig, amíg a víz eljut a forrástól, és egyenletes permetként jön ki a fúvókából. Az egyenletes vízáramlás gyors elérése érdekében:

- a. Kiveheti a fúvókát.
- b. Megnyomhatja a ravaszt, és megvárhatja, amíg a fejből egyenletes vízszugár nem indul.
- c. Felengedheti a ravaszt, és visszahelyezheti a fúvókát.

A nagynyomású mosó leállítása

1. A mosás befejezése után engedje fel a ravaszt, és nyomja meg az elzáró gombot a pozíció rögzítéséhez.
2. Nyomja le a főkapcsoló gombot a nagynyomású mosó bekapcsolásához.
3. Zárja el a vízcsapot, vagy vegye ki a szifontömlőt a vízsvédőrből.
4. Nyomja a pisztoly elzáró gombját kioldó állásba, és a ravasz megnyomásával őrítse ki a vizet a tömlőkből.

MEGJEGYZÉS: A pisztolyt, a tömlőket, a fejeket, a fűvókákat vagy a habágyút nem szabad leválasztani, amíg víz marad a tömlőkben.

5. Válassza le és távolítsa el a pisztolyt, a tömlőket, a fejeket, fűvókákat vagy a habágyút.
6. Nyomja meg a főkapcsoló gombot a nagynyomású mosó bekapcsolásához, hogy a víz kiürüljön a nagynyomású mosóból.
7. Nyomja meg újra a főkapcsoló gombot a nagynyomású mosó kikapcsolásához.
8. Vegye ki az akkumulátoregysége(ke)t.

TÁVIRÁNYÍTÓ

A pisztoly párosítható a nagynyomású mosóval, és így távirányítóként használható.

A rövid nyomópisztoly párosítása (K ábra)

1. Helyezze be az akkumulátoregysége(ke)t, és kapcsolja be a nagynyomású mosót.
2. Nyomja meg hosszan a nagynyomású mosó sebesség gombját, amíg a három zöld lámpája villogni nem kezd.

MEGJEGYZÉS: A villogás körülbelül 20 másodpercig tart, tehát a pisztoly csak ez idő alatt párosítható. A mosó sebesség gombjának rövid megnyomásával bármikor kiléphet a párosítási módból.

3. Nyomja addig hosszan a pisztoly sebesség gombját, amíg a három zöld lámpája villogni nem kezd, ami azt jelenti, hogy a párosítási folyamat megkezdődött.

MEGJEGYZÉS: A párosítási folyamatot jelző villogás körülbelül 10 másodpercig tart. A pisztolyon lévő sebesség gomb rövid megnyomásával bármikor kiléphet a párosítási folyamatból.

4. A mosón és a pisztolyon lévő sebességjelzők 3 másodpercig három zöld fényt jelenítenek meg egyszerre, ami azt jelzi, hogy a párosítás sikeres volt, majd két zöld fényt jelenítenek meg.
5. Ha a párosítás sikertelen volt, a mosó és a pisztoly sebességjelzőin három zöld fény villog, majd kialszanak.

A távirányító használata

A párosítás befejezése után nyomja meg egyszer a pisztolyon a sebesség gombot, az 5 LED-es üzemenyagszint-mérő és a sebességjelző kigyullad. A sebesség tényleges megváltoztatásához nyomja meg újra a sebesség gombot.

MEGJEGYZÉS:

- Az 5 LED-es üzemenyagszint-mérő és a sebességjelző kikapcsol, ha 10 másodpercen belül nem történik további művelet a pisztoly sebesség gombján.
- Az 5 LED-es üzemenyagszint-mérő jelzi az akkumulátor töltöttségi szintjét. Ha két akkumulátoregység van beszerelve, akkor a nagyobb töltöttségű akkumulátoregység szintjét jelzi.
- A pisztoly sebességjelzője mindig szinkronban van a nagynyomású mosó sebességjelzőjével.

SEBESSÉG KIVÁLASZTÁSA

- A nagynyomású mosó sebességét a mosón vagy a párosított pisztolyon található sebesség gomb segítségével lehetett beállítani.
- A nagynyomású mosó sebességét a mosó bekapcsolásakor vagy permetezés közben lehetett beállítani.
- Minden alkalommal, amikor a sebesség gombot megnyomja, a sebesség a magas, a TURBO és az alacsony szint között váltogat. A sebességjelző egy zöld, két zöld vagy három zöld fényt jeleníti meg, így jelzi, hogy a nagynyomású mosó kis, nagy vagy TURBO sebességgel működik.

MEGJEGYZÉS: Ha csak egy akkumulátoregység van behelyezve, a TURBO sebesség nem érhető el, és minden alkalommal, amikor a sebesség gombot megnyomja, a sebesség váltogatni fog a magas és az alacsony szint között.

MEGJEGYZÉS: Ha a nagynyomású mosó folyamatosan TURBO sebességen működik, akkor a töltésenkénti üzemidő csökkenhet.

TISZTÍTÁS MOSÓSZERREL

▲ FIGYELMEZTETÉS: Csak kifejezetten a nagynyomású mosókhoz készült tisztítószerek használjon. Tartsa be a mosószert gyártójának alkalmazási, ártalmatlanítási és biztonsági utasításait.

1. Fordítsa el a habágyú palackját az óramutató járásával ellentétes irányba, és vegye ki (L1 ábra).
2. Öntsön mosószert a flakonba.

MEGJEGYZÉS: A mosószer hőmérséklete nem haladhatja meg a 60 °C-ot.

3. Helyezze vissza a habágyút, és csatlakoztassa a pisztoly gyorscsatlakozójához.
4. Forgassa el a mosószer gombot, hogy a vízáramhoz adagolt mosószer mennyiségét az igényeinek megfelelően állítsa be (L2 ábra).

KARBANTARTÁS

▲ FIGYELMEZTETÉS: A súlyos személyi sérülések elkerülése érdekében távolítsa el az akkumulátoregységet a készülékből szervizelés, tisztítás, tartozékok cseréje vagy anyagok szerszámból való eltávolítása közben.

ÁLTALÁNOS KARBANTARTÁS

A műanyag alkatrészek tisztításához ne használjon oldószereket. A legtöbb műanyag különböző vegyi oldószerek hatására károsodik, ezek megrongálhatják őket. Használjon tiszta ruhát a szennyeződés, por, olaj, zsír, stb. eltávolításához.

▲ FIGYELMEZTETÉS: Soha ne engedje, hogy fékolaj, benzin, petróleum alapú termékek, penetráló olaj stb. a műanyag alkatrészekre kerüljön. A vegyszerek megrongálhatják, gyengíthetik vagy megtámadhatják a műanyagot, ezáltal súlyos személyi sérülést okozhatnak.

▲ FIGYELMEZTETÉS: A tűz, személyi sérülés és rövidzárlat miatti termékkárosodás kockázatának csökkentése érdekében soha ne merítse a gépet, az akkumulátoregységet vagy a töltőt folyadékba, és ne engedje, hogy folyadék folyjon a belsejükbe. A maró vagy vezetőképes folyadékok, mint például a tengervíz, bizonyos ipari vegyi anyagok, fehérítőszer vagy fehérítőt tartalmazó termékek stb. rövidzárlatot okozhatnak.

A GOMBELEM CSERÉJE (M1&M2 ábra)

▲ FIGYELMEZTETÉS: Tartsa távol a gyermekektől. A lenyelés égési sérülést, a légszövetek perforálódását okozhatja, és így halállal végződhet. A lenyelést követő 2 órán belül súlyos égési sérülések léphetnek fel. Azonnal forduljon orvoshoz.

FIGYELEM: Soha ne nyomja az akkumulátort közvetlenül a tartóba (M3 ábra). Ellenkező esetben a két kapocs megsérül, ami a pisztoly távirányítójának meghibásodását okozza.

M3-1	Kapcsok
------	---------

MEGJEGYZÉS: Javítsa meg a pisztolyt a nagynyomású mosóval a gombelem cseréje után a „**Rövid nyomópisztoly párosítása**” című részben leírt utasítások szerint.

A SZŰRŐK TISZTÍTÁSA

- Csavarja le és távolítsa el a vízbevezető nyíláson lévő gombot, majd vegye ki a fémhálót a vízbevezető nyílásból, öblítse át a fémhálót, vagy szükség esetén cserélje ki (N1 ábra).

N1-1	Fémháló
------	---------

- Vegye ki a szűrőt a szifontömlőből, csavarja ki a szűrőt, majd alaposan öblítse ki (N2 ábra).

A FÚVÓKÁK TISZTÍTÁSA (O ábra)

Ha a fúvókák furatai eltömödtek, akkor a tartozék fúvóka tisztítótűt használhatja a furatokon való átvezetéshez és az eltömődés eltávolításához.

A NAGYNYOMÁSÚ MOSÓ SZÁLLÍTÁSA (P ábra)

Nyomja meg a fogantyúzárlat gombot, majd húzza ki a teleszkópos fogantyút az első hosszúsági szintig, amíg kattanást nem hall. Kívánság szerint meg nyomhatja a fogantyúzárlat gombot, majd kihúzhatja a teleszkópos fogantyút a második hosszúsági szintig.

A NAGYNYOMÁSÚ MOSÓ TÁROLÁSA

1. Állítsa le a nagynyomású mosót, eressze le a nyomást, ürítse ki a vizet, és vegye ki az akkumulátoregységet a nagynyomású mosóból „**A nagynyomású mosó leállítása**” című részben leírt utasítások szerint.
2. Tárolja a fúvókákat a nagynyomású mosó fúvókátárolójában (Q1 ábra).
3. Tekerje fel a nagynyomású tömlőt, és tárolja a teleszkópos fogantyú mögött (Q2 ábra).
4. Tárolja a pisztolyt, a lándzsát és a fejegységet a tartókonzolokban, vagy válassza le a pisztolyt, és tárolja a felső tartókonzolokban (Q3 ábra).
5. Tárolás előtt alaposan tisztítsa meg a nagynyomású mosót.
6. Száraz, jól szellőző, elzárt vagy magas helyen tárolja a nagynyomású mosót, ahol gyermekek nem érik el. Ne tárolja a nagynyomású mosót műtrágyán, benzinen vagy más vegyszereken, illetve azok közelében.

Környezetvédelem

Ne dobja az elektromos felszerelést, az elhasznált akkumulátort és a töltőt a háztartási hulladékok közé! Vigye hivatalos újrahasznosító telephelyre, és tegye hozzáférhetővé a szelektív gyűjtéshez. Az elektromos eszközöket megfelelő környezetbarát újrahasznosító üzembe kell vinni.

HU

HIBAELHÁRÍTÁS

PROBLÉMA	OK	MEGOLDÁS
A nagynyomású mosó nem kapcsol be.	<ul style="list-style-type: none"> ■ Az akkumulátoregység töltöttségi szintje alacsony. ■ Az akkumulátoregység nincs megfelelően van beszerelve. 	<ul style="list-style-type: none"> ■ Töltse fel az akkumulátoregységet. ■ Csúsztassa be az akkumulátoregységet az akkumulátortartóba, amíg az a helyére nem pattan.
A TURBO sebességet nem lehetett aktiválni.	<ul style="list-style-type: none"> ■ A mosó működéséhez csak egy akkumulátoregységet használnak. 	<ul style="list-style-type: none"> ■ Használjon két 5,0 Ah vagy annál nagyobb Ah akkumulátoregységet.
A nagynyomású mosó szivattyúja leáll, és a mosó sebességjelzőjén három zöld fény villog.	<ul style="list-style-type: none"> ■ A nagynyomású mosó vagy az akkumulátoregység(ek) túlmelegedett/túlmelegedtek. ■ A fúvóka eltömődött. ■ A szifontömlőbe nem folyik víz. ■ Az akkumulátoregység töltöttségi szintje alacsony. ■ Egyéb elektronikus hiba (hibák). 	<ul style="list-style-type: none"> ■ Várja meg, amíg a nagynyomású mosó vagy az akkumulátoregység(ek) visszatérnek az üzemi hőmérsékletre, majd indítsa újra a mosót. ■ Használja a fúvóka tisztítótűjét, és vezesse át a lyukakon. ■ Ellenőrizze, hogy a szifontömlőbe megfelelően áramlik-e a víz. ■ Töltse fel az akkumulátoregységet. ■ Forduljon az EGO ügyfélszolgálathoz.
A vízáramlás gyenge a permetezés során.	<ul style="list-style-type: none"> ■ A szűrő részlegesen eltömődött. ■ A vízbevezető nyílás fémhálója részlegesen eltömődött. ■ A szifontömlő szűrője és gyorscsatlakozója nincs teljesen a vízbe merítve. ■ A szifontömlő össze van hajtogatva. ■ A víz szennyezett. ■ A nagynyomású tömlő eltömődött. 	<ul style="list-style-type: none"> ■ Tisztítsa meg a szűrőt. ■ Távolítsa el és tisztítsa meg a fémhálót. ■ Merítse a szűrőt és a gyorscsatlakozót teljesen a vízbe. ■ Hajtsa ki a szifontömlőt, vagy cserélje ki. ■ Kizárólag tiszta vizet használjon. ■ Távolítsa el a fúvókát, majd kezdjen el vizet permetezni a tömlőből, hogy megszüntesse a tömlő eltömődését.

PROBLÉMA	OK	MEGOLDÁS
Nem permetez a víz.	<ul style="list-style-type: none"> ■ Nincs vízellátás. ■ A szűrő teljesen eltömődött. ■ A vízvezető nyílásban lévő fémháló teljesen el van zárva. ■ A fűvóka eltömődött. ■ A szivattyú, a tömlők vagy más komponensek befagytak. 	<ul style="list-style-type: none"> ■ Ellenőrizze és győződjön meg arról, hogy a mosó megfelelően csatlakozik a vízellátáshoz. ■ Tisztítsa meg a szűrőt. ■ Távolítsa el és tisztítsa meg a fémhálót. ■ Használja a fűvóka tisztítótűjét, és vezesse át a lyukakon. ■ Várjon, amíg fel nem olvadnak.
A vízáramlás nem stabil.	<ul style="list-style-type: none"> ■ Levegő áramlik a mosóba. ■ A szivattyú tömitései kopottak. 	<ul style="list-style-type: none"> ■ Ellenőrizze és győződjön meg arról, hogy a szifontömlő megfelelően van csatlakoztatva. ■ Forduljon az EGO ügyfélszolgálathoz.
A vízpermetezés automatikusan elindul vagy leáll.	<ul style="list-style-type: none"> ■ A nagynyomású tömlő megsérült. ■ A pisztolyból víz szivárog. ■ A szivattyútömitések, a tömlőtömitések kopottak. 	<ul style="list-style-type: none"> ■ Cserélje ki új nagynyomású tömlőre. ■ Forduljon az EGO ügyfélszolgálathoz. ■ Forduljon az EGO ügyfélszolgálathoz.
A pisztoly nem tudja irányítani a mosót.	<ul style="list-style-type: none"> ■ A pisztoly pozíciója a vezeték nélküli kapcsolat hatótávolságán kívül van. ■ A gombelem töltöttsége alacsony. ■ A pisztoly nincs megfelelően párosítva. ■ A gombelem nincs megfelelően beszerelve. 	<ul style="list-style-type: none"> ■ Vigye közelebb a pisztolyt a nagynyomású mosóhoz. ■ Cserélje ki egy új gombelemre. ■ Fejezze be a párosítást a „Rövid nyomópisztoly párosítása” című részben leírt utasítások szerint. ■ Helyezze be a gombelemet „A GOMBELEM CSERÉJE” című fejezetben leírt utasítások szerint.

GARANCIA

EGO GARANCIÁLIS FELTÉTELEK

Kérjük, látogasson el az egopowerplus.eu oldalra, ahol megtalálja a részletes EGO garanciális feltételeket.

CITIȚI TOATE INSTRUCȚIUNILE!



CITIȚI MANUALUL DE INSTRUCȚIUNI

⚠ AVERTISMENT: Pentru siguranța și fiabilitatea produsului, toate reparațiile trebuie efectuate de către un tehnician de service autorizat.

SIMBOLUL DE SECURITATE

Scopul simbolurilor privind siguranța este să vă atragă atenția asupra pericolelor posibile. Simbolurile privind siguranța și explicațiile furnizate cu acestea merită atenția și înțelegerea dumneavoastră. Avertizările simbolurilor nu elimină, prin ele însele, niciun pericol. Instrucțiunile și avertizările pe care le oferă acestea nu pot înlocui măsurile adecvate de prevenire a accidentelor.

⚠ AVERTISMENT: Asigurați-vă că ați citit și înțelegiți toate instrucțiunile privind siguranța din acest Manual de utilizare, inclusiv toate simbolurile de alertă privind siguranța precum „PERICOL”, „AVERTISMENT” și „ATENȚIE” înainte de a utiliza această mașină. Nerespectarea tuturor instrucțiunilor enumerate mai jos poate duce la electrocutare, incendiu și/sau vătămări corporale grave.

⚠ AVERTISMENT: Risc de incendiu și arsuri. Nu desfaceți, nu încălziți la temperaturi de peste 100 °C, sau să incinerati. Păstrați bateria într-un loc inaccesibil copiilor și în ambalajul său original până când este gata de utilizare. Eliminați rapid bateriile uzate conform normelor locale de reciclare sau de eliminare a deșeurilor.

INSTRUCȚIUNI PRIVIND SIGURANȚA

Această pagină descrie simbolurile de siguranță ce pot apărea pe acest produs. Citiți, înțelegeți și respectați toate instrucțiunile de pe mașină înainte de asamblare și utilizare.

RO



Alertă privind siguranța



Pentru a reduce riscul de accidentări, utilizatorul trebuie să citească manualul de instrucțiuni.



Nu vă stropiți niciodată pe dumneavoastră, pe alții, animalele, sursele de alimentare sau unitatea însăși.



Acest produs este în conformitate cu directivele europene aplicabile.



Nu vă conectați la rețeaua de apă potabilă.



Conformitate evaluată pentru Regatul Unit



Deșeurile produselor electrice nu trebuie să fie eliminate împreună cu deșeurile menajere. Predați-le unui punct de reciclare autorizat.



Presiunea apei



Debitul de apă



Temperatură de funcționare



Curent continuu

kg Kilograme

V Tensiune

MPa Megapascal

°C Celsius

L/min Litri pe minut

IPX5 Protecție împotriva jeturilor de apă

⚠️ AVERTISMENT: Citiți și înțelegeți toate instrucțiunile înainte de a utiliza aparatul. Nerespectarea tuturor instrucțiunilor de mai jos poate duce la electrocutare, incendiu și/sau vătămări grave.

⚠️ AVERTISMENT: În timpul utilizării aparatelor de curățare de înaltă presiune, se pot forma aerosoli. Inhalarea de aerosoli poate fi periculoasă pentru sănătate.

⚠️ AVERTISMENT: Jeturile de înaltă presiune pot fi periculoase dacă sunt utilizate în mod necorespunzător. Jetul nu trebuie să fie îndreptat spre persoane, echipamente electrice sub tensiune sau spre aparatul înșăși.

⚠️ AVERTISMENT: Nu utilizați aparatul în raza de acțiune a persoanelor, cu excepția cazului în care acestea poartă îmbrăcăminte de protecție.

⚠️ AVERTISMENT: Nu îndreptați jetul spre dumneavoastră sau spre alte persoane pentru a curăța hainele sau încălțăminte.

⚠️ AVERTISMENT: Risc de explozie - Nu pulverizați lichide inflamabile.

⚠️ AVERTISMENT: Aparatele de curățare de înaltă presiune nu trebuie utilizate de copii sau de personal neinstruit.

⚠️ AVERTISMENT: Furtunurile, fittingurile și cuplajele de înaltă presiune sunt importante pentru siguranța aparatului.

⚠️ AVERTISMENT: Apa care a trecut prin dispozitivele de prevenire a refluxului este considerată a fi nepotabilă.

⚠️ AVERTISMENT: Nu utilizați aparatul dacă sunt deteriorate părți importante ale acestuia, de exemplu, dispozitivele de siguranță, furtunurile de înaltă presiune, pistolul de presiune scurtă.

⚠️ AVERTISMENT: În funcție de aplicație, duzele ecranate pot fi utilizate pentru curățarea la presiune înaltă, ceea ce va reduce drastic emisiile de aerosoli hidrici. Cu toate acestea, nu toate aplicațiile permit utilizarea unui astfel de dispozitiv. În cazul în care duzele ecranate nu sunt aplicabile pentru protecția împotriva aerosolilor, poate fi necesară o mască respiratorie din clasa FFP 2 sau echivalentă, în funcție de mediul de curățare.

■ Acest aparat nu este destinat utilizării de către persoane (inclusiv copii) cu capacități fizice, senzoriale sau mentale reduse sau cu lipsă de experiență și cunoștințe. Copiii trebuie să fie supravegheați pentru a vă asigura că nu se joacă cu aparatul.

■ Să știți cum să opriți produsul și să eliminați rapid presiunea. Familiarizați-vă temeinic cu comenzile.

■ Preveniți pornirea accidentală. Asigurați-vă că întrerupătorul este în poziția oprit înainte de conectarea la acumulator, ridicarea sau transportarea dispozitivului. Transportarea aparatului cu degetul pe întrerupător sau punerea sub tensiune a aparatului care are întrerupătorul pornit favorizează accidentele.

■ Fiți întotdeauna conștient de pericolul reprezentat de forța de reacție și de cuplul brusc asupra ansamblului de pulverizare atunci când folosiți pistolul.

■ Nu expuneți aparatul sau bateria la temperaturi excesive.

■ Fiți atenți la riscul ca bornele aparatului sau ale bateriei să fie scurtcircuitate de obiecte metalice.

■ Bateriile reîncărcabile trebuie scoase din aparat înainte de a fi încărcate

■ Nu trebuie amestecate diferite tipuri de baterii sau baterii noi și folosite.

■ Bateriile epuizate trebuie scoase din aparat și aruncate în siguranță.

■ Dacă aparatul trebuie depozitat neutilizat pentru o perioadă lungă de timp, bateriile trebuie scoase.

■ Nu utilizați baterii nereîncărcabile în locul bateriilor reîncărcabile.

■ Nu utilizați baterii modificate sau deteriorate.

■ **Utilizați numai cu acumulatori și încărcătoarele specificate.**

Păstrați aceste instrucțiuni. Consultați-le frecvent și utilizați-le pentru a instrui alte persoane care ar putea utiliza acest aparat. Dacă împrumutați cuiva această mașină, împrumutați-i și aceste instrucțiuni pentru a preveni utilizarea inadecvată a produsului și posibile răni.

RO

SPECIFICAȚII

Tensiune	56 V
Presiunea nominală maximă	135 Bar
Debitul nominal maxim (cu racord de conectare rapidă și țeava din oțel inoxidabil conectate)	6,5 l/min
Debitul nominal maxim (doar cu pistolul de presiune scurt conectat)	9,5 l/min
Presiune maximă limitată pentru pistol	250 Bar
Debit maxim limitat pentru pistol	30 l/min
Greutate (fără set de acumulatori)	16,8 kg
Temperatură de funcționare recomandată	5°C – 40°C
Temperatură de depozitare recomandată	-20°C – 70°C
Nivel de putere sonoră măsurat L_{WA}	84 dB(A) K=1,8 dB(A)
Nivel de presiune sonoră la urechea operatorului L_{PA}	72 dB(A) K=3 dB(A)
Nivelul de putere acustică garantat L_{WA} (măsurat în conformitate cu 2000/14/CE)	86 dB(A)
Vibrații a_n	3,6 m/s ² K=0,9 m/s ²

RO

- Valoarea totală declarată a vibrațiilor a fost măsurată în conformitate cu o metodă standard de testare și poate fi utilizată pentru compararea sculelor între ele;
- Valoarea totală declarată poate fi utilizată în evaluarea preliminară a expunerii.

AVERTISMENT: Vibrațiile emise în timpul utilizării efective a sculei electrice pot diferi față de valoarea celor declarate pentru scula utilizată. Pentru protejarea operatorului, utilizatorul trebuie să poarte mănuși și protecții auditive în timpul utilizării efective a produsului.

ACCESORII RECOMANDATE

▲ AVERTISMENT: Utilizați numai accesoriile enumerate mai jos. Utilizarea accesoriilor care nu respectă specificațiile echipamentului original poate duce la performanțe necorespunzătoare și la compromiterea siguranței.

DENUMIREA PIESELOR	NUMĂR MODEL
Tun de spumă premium	AFC2000E
Duză turbo	ANZ2000E-T
Duză de 15°	ANZ2015E
Duză de 25°	ANZ2025E
Duză de 40°	ANZ2040E
Duză de clătire	ANZ2000E-R

LISTA COMPONENTELOR (FIG. A1)

DESCRIEREA

CUNOAȘTEȚI-VĂ APARATUL DE SPĂLAT CU PRESIUNE (Fig. A1)

- Mâner telescopic
- Butonul de blocare a mânerului
- Brațul superior de susținere
- Roată (x2)
- Brațul inferior de susținere
- Port de intrare a apei
- Port de ieșire a apei
- Butonul de viteză
- Indicator de viteză
- Buton de alimentare
- Compartimentul acumulatorului
- Compartiment de stocarea a duzelor
- Capacul compartimentului acumulatorului
- Contacte electrice
- Mecanism de ejectare
- Buton de detașare a acumulatorului
- Curea de susținere a furtunului
- Țeavă din oțel inoxidabil
- Racord de conectare rapidă
- Furtun de înaltă presiune
- Furtun sifon
- Set cuplaj rapid (x2)
- Tun de spumă
- Filtrul
- Ac de curățare a duzei
- Duză de clătire

27. Duză 40°
28. Duză 25°
29. Duză 15°
30. Duză TURBO
31. Pistol de presiune scurt
32. Capac pentru acumulatori
33. Indicatorul de încărcare cu 5 LED-uri
34. Indicator de viteză
35. Butonul de viteză
36. Mânerul pistolului
37. Declanșator
38. Buton de blocare

ASAMBLARE

INSTALAREA ANSAMBLULUI BRAȚ DE SUSȚINERE (Fig. B)

B-1	Brațul superior de susținere	B-2	Brațul inferior de susținere
B-3	Șuruburi		

CONECTAREA FURTUNULUI DE ÎNALTĂ PRESURĂ (Fig. C - Fig. D)

Puteți conecta furtunul de înaltă presiune în unul dintre următoarele moduri:

- Conectați furtunul de înaltă presiune la orificiul de ieșire a apei și la pistol direct cu ajutorul conectorilor filetați (Fig. C1 - Fig. C2);
- Conectați furtunul de înaltă presiune la orificiul de ieșire a apei și la pistol folosind două seturi de cuplaj rapid pentru a realiza o instalare/scoatere ușoară (Fig. D1 - Fig. D2).

NOTĂ: Seturile de cuplaj rapid au fost instalate în fabrică pe orificiul de ieșire a apei, pe furtunul de înaltă presiune și pe pistol.

CONECTAREA RACORDULUI ȘI A ȚEVII (Fig. E1 - Fig. E2)

Pentru a **deconecta**, deșurubați racordul de la țeavă și apoi trageți-o în afară; slăbiți butonul de pe racord și apoi trageți înapoi inelul exterior al cuplajului rapid al pistolului pentru a scoate racordul.

⚠ AVERTISMENT: Țineți întotdeauna pistolul cu o mână și racordul cu cealaltă mână atunci când deconectați racordul de la pistol. Dacă racordul cade, se pot produce vătămări corporale.

CONECTAREA UNEI DUZE (Fig. F1 / Fig. F2)

NOTĂ: Duzele nu pot fi conectate la racord.

- Alegeți duza de 15°, duza de 25°, duza de 40° sau duza Turbo pentru a o instala pe țeavă (Fig. F1).

F1-1	Duză 15°	F1-2	Duză 25°
F1-3	Duză 40°	F1-4	Duză TURBO

- Duza de clătire este conectată direct la pistol (Fig. F2).

F2-1	Duză de clătire
------	-----------------

⚠ AVERTISMENT: Țineți întotdeauna pistolul cu o mână și duza cu cealaltă mână atunci când deconectați duza de la pistol. În cazul în care duza sare afară, se pot produce vătămări corporale.

Folosiți tabelul de mai jos pentru a alege duza potrivită pentru treabă.

Selectarea duzei	Aplicații
Duza galbenă de 15°	Curățați suprafețele mici din metal, beton sau lemn.
Duza verde de 25°	Curățați suprafețele mai mari din metal, beton sau lemn.
Duza albă de 40°	Curățați suprafețele extinse din metal, beton, lemn sau vinil.
Duza gri de clătire	Clătiți vehiculele. Clătiți detergentul de pe metal, beton, lemn sau vinil.
Duza Turbo	Curățați numai suprafețele dure. Pentru a preveni deteriorarea suprafețelor, nu utilizați pe mașini și suprafețe din lemn.

RO

CONECTAREA TUNULUI DE SPUMĂ (Fig. G)

Tunul de spumă este conectat direct la pistol.

Pentru a **deconecta**, trageți înapoi inelul exterior al cuplajului rapid și apoi scoateți tunul de spumă.

CONEXIUNEA FRURTULUI SIFON (Fig. H1 - Fig. H2)

Atunci când utilizați o găleată de apă (nu este furnizată) ca sursă de apă, conectați aparatul de spălat sub presiune la furtunul sifon.

NOTĂ: Umpleți în prealabil găleata astfel încât, atunci când este scufundat, filtrul să nu plutească la suprafață.

CONECTAREA LA UN FURTUN DE GRĂDINĂ (NU ESTE FURNIZAT)

Atunci când folosiți robinetul de apă (nu este furnizat) ca sursă de apă, conectați aparatul de spălat cu presiune la un furtun de grădină (nu este furnizat).

FUNȚIONARE

APLICARE

Puteți utiliza acest produs în scopurile menționate mai jos:

- Curățarea murdăriei de pe automobile, pereți, podele etc.

ATAȘAREA/DETAȘAREA SETULUI DE ACUMULATORI

Utilizați numai seturile de acumulatori EGO și încărcătoarele prezentate în Fig. A2.

Pentru mai multe detalii, consultați manualele corespunzătoare ale bateriilor și încărcătoarelor.

Încărcați acumulatorul complet înainte de prima utilizare.

NOTĂ: Utilizarea unui singur acumulator nu vă va permite să atingeți viteza TURBO. Pentru cele mai bune performanțe, vă recomandăm cu tărie utilizarea a doi acumulatori de 5,0 Ah sau mai mari.

1. Ridicați capacul compartimentului pentru baterii ridicând partea din față a capacului.
2. **Pentru a atașa,** Aliniați nervurile de pe acumulator cu fantele de montare și apăsați în jos setul de acumulatori până la auzul unui "clic". Atașați cealaltă baterie (Fig. I1).
3. **Pentru a detașa,** apăsați butonul de detașare al setului de acumulatori și scoateți setul de acumulatori (Fig. I2).

I2-1	Buton de detașare acumulator
------	------------------------------

4. Închideți capacul compartimentului bateriei.

PORNIREA/OPRIREA APARATULUI DE SPĂLAT CU PRESIUNE (Fig. J)

Pentru a porni aparatul de spălat cu presiune

AVERTISMENT: Nu porniți aparatul de spălat cu presiune fără ca alimentarea cu apă să fie conectată și pornită. Acest lucru poate deteriora garniturile de înaltă presiune și reduce durata de viață a pompei.

1. Asigurați-vă că furtunul sifon, furtunul de înaltă presiune, pistolul și duza sunt conectate corect.
2. Conectați racordul, țeava, tunul de spumă, filtrul în funcție de nevoile dumneavoastră.
3. Alegeți una dintre căile de alimentare cu apă de mai jos:
 - Când utilizați un furtun de grădină (nu este furnizat), conectați aparatul de spălat cu presiune la furtunul de grădină și apoi deschideți robinetul de apă.
 - Atunci când se utilizează o găleată cu apă, conectați filtrul la furtunul sifon și apoi scufundați filtrul și racordul cu cuplaj rapid complet în găleata cu apă.
4. Instalați acumulatorul (setul de acumulatori).
5. Apăsați butonul de alimentare pentru a porni aparatul de spălat cu presiune. Aparatul de spălat va funcționa întotdeauna la viteză mare după fiecare pornire.

NOTĂ: Atunci când aparatul de spălat cu presiune este pornit, dar nu se efectuează alte acțiuni, aceasta se va opri automat după 5 minute de așteptare. În timpul primelor câteva minute de așteptare, indicatorul de viteză de pe aparatul de spălat sub presiune va clipi trei lumini verzi, ceea ce indică faptul că nu curge apă în furtunul sifon.

6. Țineți pistolul cu ambele mâini, apăsați partea de deblocare a butonului de blocare și apoi apăsați trăgaciul până când se produce un flux de apă constant.

NOTĂ: Dacă racordul este conectat, țineți pistolul cu o mână și racordul cu cealaltă mână.

7. Începeți spălarea prin pulverizare.

NOTĂ: Este posibil să dureze ceva timp pentru ca apa să se deplaseze de la sursă și să iasă din duză sub forma unui spray constant. Pentru a obține rapid un debit constant de apă, este posibil să doriți să:

- a. Îndepărtați duza.
- b. Apăsați trăgaciul și așteptați până când un jet de apă constant începe să iasă din țeavă.
- c. Eliberați trăgaciul și reintroduceți duza.

Pentru a opri aparatul de spălat cu presiune

1. După ce spălarea este finalizată, eliberați trăgaciul și apăsați butonul de blocare pentru a bloca poziția.
2. Apăsați butonul de alimentare pentru a opri aparatul de spălat cu presiune.

3. Închideți robinetul de apă sau scoateți furtunul sifon din găleata cu apă.
4. Apăsăți butonul de blocare a pistolului în poziția de deblocare și apăsați trăgaciul pentru a goli apa din furtunuri.

AVERTISMENT: Pistolul, furtunurile, țevile, duzele sau tunul de spumă nu trebuie deconectate atâta timp cât apa rămâne în furtunuri.

5. Deconectați și îndepărtați pistolul, furtunurile, țevile, duzele sau tunul de spumă.
6. Apăsăți butonul de alimentare pentru a porni aparatul de spălat sub presiune pentru a goli apa din aceasta.
7. Apăsăți din nou butonul de alimentare pentru a opri aparatul de spălat cu presiune.
8. Îndepărtați setul de acumulatori.

CONTROLUL DE LA DISTANȚĂ

Pistolul poate fi conectat cu aparatul de spălat cu presiune pentru a funcționa ca o telecomandă.

Conectarea pistolului cu presiune scurtă (Fig. K)

1. Introduceți acumulatorul (acumulatorii) și porniți aparatul de spălat de înaltă presiune.
2. Apăsăți lung butonul de viteză de pe aparatul de spălat cu presiune înaltă până când cele trei lumini verzi încep să clipească.

NOTĂ: Clipeala va dura aproximativ 20 s, astfel încât pistolul poate fi conectat numai în acest interval de timp. De asemenea, puteți apăsa scurt butonul de viteză de pe aparatul de spălat pentru a ieși oricând din modul de conectare.

3. Apăsăți lung butonul de viteză de pe pistol până când cele trei lumini verzi încep să clipească, ceea ce înseamnă că a început procesul de conectare.

NOTĂ: Clipeala care indică procesul de conectare va dura aproximativ 10 s. Puteți apăsa scurt butonul de viteză de pe pistol pentru a ieși din procesul de conectare în orice moment.

4. Indicatorii de viteză de pe aparatul de spălat și de pe pistol vor afișa trei lumini verzi împreună timp de 3 s pentru a indica faptul că, conectarea a avut succes, apoi vor afișa două lumini verzi.
5. Dacă procedura de conectare a eșuat, indicatorii de viteză de pe aparatul de spălat și de pe pistol vor clipi trei lumini verzi și apoi se vor stinge.

Utilizarea telecomenzii

După ce s-a finalizat conectarea, apăsați o dată butonul de viteză de pe pistol, se vor aprinde indicatorul de încărcare cu 5 LED-uri și indicatorul de viteză. Apăsăți din nou butonul de viteză pentru a schimba efectiv viteza.

NOTĂ:

- Indicatorul de încărcare cu 5 LED-uri și indicatorul de viteză se vor opri atunci când nu se mai acționează butonul de viteză al pistolului în decurs de 10 s.
- Indicatorul de încărcare cu 5 LED-uri indică nivelul de încărcare a bateriei. Atunci când sunt instalați doi acumulatori, indică nivelul acumulatorului cu încărcătură mai mare.
- Indicatorul de viteză de pe pistol este întotdeauna sincronizat cu indicatorul de viteză de pe unitatea de spălare cu presiune.

SELECTAREA VITEZEI

- Viteza aparatului de spălat cu presiune poate fi reglată cu ajutorul butonului de viteză de pe aparatul de spălat sau de pe pistolul conectat.
- Viteza aparatului de spălat cu presiune poate fi reglată atunci când acesta este pornit sau în timpul pulverizării.
- De fiecare dată când este apăsat butonul de viteză, viteza va comuta între nivelul înalt, nivelul TURBO și nivelul scăzut. Indicatorul de viteză afișează o lumină verde, două lumini verzi sau trei lumini verzi pentru a indica faptul că aparatul de spălat cu presiune funcționează la viteză mică, viteză mare sau, respectiv, TURBO.

NOTĂ: Atunci când este introdus un singur acumulator, nu se poate atinge viteza TURBO și, de fiecare dată când este apăsat butonul de viteză, viteza va comuta între nivelul ridicat și cel scăzut.

NOTĂ: Dacă aparatul de spălat cu presiune continuă să funcționeze la viteza TURBO, durata de funcționare per încărcare poate fi afectată.

CURĂȚAREA CU DETERGENT

⚠ AVERTISMENT: Folosiți numai detergenți special concepuți pentru a fi folosiți cu aparatul de spălat sub presiune. Respectați instrucțiunile de aplicare, eliminare și siguranță ale producătorului de detergent.

1. Rotiți sticla tunului de spumă în sens invers acelor de ceasornic și scoateți-o (Fig. L1).
2. Turnați detergentul în sticlă.

AVERTISMENT: Temperatura detergentului nu trebuie să depășească 60 °C.

3. Înlocuiți tunul de spumă și conectați-l la cuplajul rapid al pistolului.
4. Rotiți butonul de detergent pentru a regla cantitatea de detergent adăugată la debitul de apă în funcție de nevoile dumneavoastră (Fig. L2).

ÎNȚREȚINEREA

⚠ AVERTISMENT: Pentru prevenirea vătămărilor corporale grave, scoateți setul de acumulatori din produs înainte de a depana, curăța, înlocui accesoriiile sau de a îndepărta materialul din aparat.

ÎNȚREȚINERE GENERALĂ

Evitați utilizarea solvenților când curățați piese din plastic. Majoritatea pieselor din plastic sunt susceptibile să se deterioreze de la diverse tipuri de solvenți comerciali și se pot defecta prin utilizarea acestora. Utilizați o cârpă curată pentru a îndepărta murdăria, praful, uleiul, vaselina etc.

⚠ AVERTISMENT: Nu permiteți niciodată lichidelor de frână, benzinei, produselor petroliere, uleiurilor penetrante etc. să vină în contact cu piese din plastic. Substanțele chimice pot deteriora, pot fragiliza sau pot distruge plasticul, ceea ce se poate solda cu vătămări grave.

⚠ AVERTISMENT: Pentru a reduce riscul de incendiu, de vătămare corporală și de deteriorare a produsului din cauza unui scurtcircuit, nu scufundați niciodată aparatul, bateria sau încărcătorul în lichid și nu permiteți ca un lichid să curgă în interiorul acestora. Fluidele corozive sau conductoare, cum ar fi apa de mare, anumite substanțe chimice industriale și înălbitor sau produse care conțin înălbitor etc., pot provoca un scurtcircuit.

ÎNLOCUIREA BATERIEI DE TIP BUTON (Fig. M1&M2)

⚠ AVERTISMENT: A se păstra într-un loc inaccesibil copiilor. Înghițirea poate duce la arsuri chimice, la perforarea țesuturilor moi și la deces. Arsurile grave pot apărea în decurs de 2 h de la ingestie. Solicitați imediat asistență medicală.

AVERTISMENT: Nu împingeți niciodată bateria direct în compartiment (Fig. M3). În caz contrar, cele două cleme vor fi deteriorate, ceea ce va duce la defectarea telecomenzii pistolului.

M3-1	Cleme
------	-------

NOTĂ: Reconectați pistolul cu aparatul de spălat cu presiune după înlocuirea bateriei de tip buton, urmând instrucțiunile din secțiunea "**Conectarea pistolului cu presiune scurtă**".

CURĂȚAREA FILTRELOR

- Deșurubați și scoateți butonul de pe orificiul de admisie a apei, apoi scoateți plasa metalică din orificiul de admisie a apei, clătiți plasa metalică sau înlocuiți-o dacă este necesar (Fig. N1).

N1-1	Plasă metalică
------	----------------

- Scoateți filtrul din furtunul sifon, înșurubați filtrul și apoi clătiți-l bine (Fig. N2).

CURĂȚAREA DUZELOR (Fig. O)

Atunci când orificiile duzelor sunt blocate, puteți utiliza acul de curățare a duzelor furnizat pentru a trece prin orificii și a îndepărta blocajul.

TRANSPORTAREA APARATULUI DE SPĂLAT CU PRESIUNE (Fig. P)

Apăsăți butonul de blocare a mânerului, apoi trageți mânerul telescopic până la primul nivel de lungime, până când auziți un "clic". Dacă doriți, puteți apăsa butonul de blocare a mânerului, apoi trageți mânerul telescopic până la al doilea nivel de lungime.

DEPOZITAREA APARATULUI DE SPĂLAT CU PRESIUNE

1. Opritiți aparatul de spălat cu presiune, eliberați presiunea, goliți apa și scoateți acumulatorii din aparatul de spălat cu presiune, urmând instrucțiunile din secțiunea "**Pentru a opri aparatul de spălat cu presiune**".
2. Depozitați duzele în zona de depozitare a duzelor din aparatul de spălat cu presiune (Fig. Q1).
3. Înfășurați furtunul de înaltă presiune și depozitați-l în spatelul mânerului telescopic (Fig. Q2).
4. Depozitați pistolul și ansamblul braț de susținere și țeava în suporturile de susținere sau deconectați pistolul și depozitați-l în suporturile de susținere superioare (Fig. Q3).
5. Curățați bine aparatul de spălat cu presiune înainte de a o depozita.
6. Depozitați aparatul de spălat cu presiune într-un loc uscat, bine ventilat, închis cu cheia sau la înălțime, inaccesibil copiilor. Nu depozitați aparatul de spălat cu

presiune peste sau lângă îngrășăminte, benzină sau alte substanțe chimice.

Protejarea mediului înconjurător



Nu eliminați echipamentul electric, acumulatorul epuizat și încărcătorul de acumulator împreună cu deșeurile menajere! Predați acest produs unui punct de reciclare autorizat și puneți-l la dispoziția colectării separate. Sculele electrice trebuie returnate unui centru de reciclare ecologic.

RO

DEPANAREA

PROBLEMĂ	CAUZĂ	SOLUȚIE
Aparatul de spălat cu presiune nu pornește.	<ul style="list-style-type: none"> ■ Nivel de încărcare a acumulatorului este scăzut. ■ Acumulatorul nu este instalat corect. 	<ul style="list-style-type: none"> ■ Încărcați setul de acumulatori. ■ Glisați acumulatorul în compartimentul pentru baterii până când acesta se fixează în poziție.
Viteza TURBO nu poate fi activată.	<ul style="list-style-type: none"> ■ Pentru funcționarea aparatului de spălat se utilizează un singur acumulator. 	<ul style="list-style-type: none"> ■ Utilizați doi acumulatori de 5,0 Ah sau mai mari.
Pompa aparatului de spălat cu presiune nu mai funcționează, iar indicatorul de viteză de pe aparatul de spălat clipește cu trei lumini verzi.	<ul style="list-style-type: none"> ■ Aparatul de spălare sub presiune sau acumulatorul (acumulatorii) sunt la temperaturi prea ridicate. ■ Duza este blocată. ■ Nu curge apă în furtunul sifon. ■ Nivel de încărcare a acumulatorului este scăzut. ■ Alte defecțiuni electronice. 	<ul style="list-style-type: none"> ■ Așteptați până când aparatul de spălat sub presiune sau acumulatorul (acumulatorii) revin la temperatura de funcționare și apoi reporniți aparatul de spălat. ■ Folosiți acul de curățare a duzei pentru a trece prin găuri. ■ Verificați și asigurați-vă că apa curge în mod corespunzător în furtunul sifon. ■ Încărcați setul de acumulatori. ■ Contactați Serviciul de clienți EGO.
Debitul de apă este scăzut în timpul pulverizării.	<ul style="list-style-type: none"> ■ Filtrul este blocat parțial. ■ Plasa metalică din portul de admisie a apei este blocată parțial. ■ Filtrul și racordul cu cuplaj rapid al furtunului de sifonare nu sunt complet scufundate în apă. ■ Furtunul sifon este pliat. ■ Apa este murdară. ■ Furtunul de înaltă presiune este blocat. 	<ul style="list-style-type: none"> ■ Curățați filtrul. ■ Îndepărtați și curățați plasa metalică. ■ Scufundați complet filtrul și racordul cu cuplaj rapid în apă. ■ Desfășurați furtunul de sifon sau înlocuiți-l. ■ Utilizați numai apă curată. ■ Scoateți duza și apoi începeți să pulverizați apă din furtun pentru a elimina blocajul din furtun.

PROBLEMĂ	CAUZĂ	SOLUȚIE
Nu se pulverizează apă.	<ul style="list-style-type: none"> ■ Nu există alimentare cu apă. ■ Filtrul este complet blocat. ■ Plasa metalică din portul de intrare a apei este blocată complet. ■ Duza este blocată. ■ Pompa, furtunurile sau alte componente sunt înghețate. 	<ul style="list-style-type: none"> ■ Verificați și asigurați-vă că aparatul de spălat este conectat corect la alimentarea cu apă. ■ Curățați filtrul. ■ Îndepărtați și curățați plasa metalică. ■ Folosiți acul de curățare a duzei pentru a trece prin găuri. ■ Așteptați până când acestea sunt dezghețate.
Fluxul de apă nu este stabil.	<ul style="list-style-type: none"> ■ Aerul curge în aparatul de spălat. ■ Garniturile de etanșare ale pompei sunt uzate. 	<ul style="list-style-type: none"> ■ Verificați și asigurați-vă că furtunul de sifon este conectat corect. ■ Contactați Serviciul de clienți EGO.
Pulverizarea apei începe sau se oprește automat.	<ul style="list-style-type: none"> ■ Furtunul de înaltă presiune este deteriorat. ■ Există scurgeri de apă din pistol. ■ Garniturile de etanșare ale pompei și ale furtunului sunt uzate. 	<ul style="list-style-type: none"> ■ Înlocuiți furtunul de înaltă presiune cu unul nou. ■ Contactați Serviciul de clienți EGO. ■ Contactați Serviciul de clienți EGO.
Pistolul nu poate controla aparatul de spălat.	<ul style="list-style-type: none"> ■ Poziția pistolului se află în afara razei de acțiune a conexiunii fără fir. ■ Nivelul de încărcare al bateriei de tip monedă (buton) este scăzut. ■ Pistolul nu este conectat corespunzător. ■ Bateria de tip monedă (buton) nu este instalată corect. 	<ul style="list-style-type: none"> ■ Apropiati pistolul de aparatul de spălat cu presiune. ■ Înlocuiți-o cu o baterie nouă e tip monedă (buton). ■ Finalizați conectarea urmând instrucțiunile din secțiunea "Conectarea pistolului cu presiune scurtă". ■ Instalați bateria de tip monedă (buton) urmând instrucțiunile din secțiunea "ÎNLOCUIREA BATERIEI DE TIP BUTON".

GARANȚIE

POLITICA PRIVIND GARANȚIA EGO

Vă rugăm să consultați site-ul egopowerplus.eu pentru termenii și condițiile complete ale politicii privind garanția EGO.

PREBERITE VSA NAVODILA!



PREBERITE PRIROČNIK Z NAVODILI ZA UPORABO.

⚠ OPOZORILO: Za zagotovitev varnosti in zanesljivosti mora vsa popravila izvesti usposobljen servisni tehnik.

VARNOSTNI SIMBOL

Namen varnostnih simbolov je, da vas opozorijo na morebitne nevarnosti. Bodite pozorni na varnostne simbole in njihova pojasnila ter jih poskušajte razumeti. Opozorilni simboli sami ne odpravljajo nobene nevarnosti. Navodila in opozorila ne nadomeščajo ustreznih ukrepov za preprečevanje nesreč.

⚠ OPOZORILO: Pred uporabo tega stroja preberite in poskrbite, da boste razumeli vsa varnostna navodila v tem priročniku, vključno z vsemi varnostnimi opozorilnimi simboli, kot so »NEVARNOST«, »OPOZORILO« in »POZOR«. Zaradi neupoštevanja spodaj navedenih navodil lahko pride do električnega udara, požara in/ali resnih telesnih poškodb.

⚠ OPOZORILO: Nevarnost požara in opeklin. Ne razstavljajte ali sežigajte, temperatura nad 100 °C. Baterijo do uporabe hranite izven dosega otrok in v originalni embalaži. Izrabljene baterije nemudoma odvrzite v skladu z lokalnimi predpisi za recikliranje oziroma odlaganje odpadkov.

VARNOSTNA NAVODILA

Na tej strani so prikazani in opisani varnostni simboli, ki se lahko pojavijo na tem izdelku. Preberite, osvojite in sledite navodilom na stroju, preden ga boste poskušali sestaviti in upravljati.



Varnostno opozorilo



Za zmanjšanje nevarnosti telesnih poškodb je pomembno, da uporabnik prebere priročnik z navodili za uporabo.

SL



Nikoli ne pršite sebe, drugih, živali, virov energije ali same enote.



Ta izdelek je skladen z veljavnimi direktivami ES.



Izdelka ne priključite na omrežje pitne vode.



Ta izdelek je v skladu z veljavno zakonodajo Združenega kraljestva.



Odpadnih električnih izdelkov ne odlagajte med gospodinjne odpadke. Odnosite jih v pooblaščen obrat za recikliranje.



Tlak vode



Pretok vode



Obratovalna temperatura



Enosmerni tok

kg Kilogram



Napetost

MPa Megapascal



Celzij

L/min Litrov na minuto

IPX5 Zaščita pred vodnimi curki

⚠ OPOZORILO: Pred uporabo stroja preberite in poskrbite, da boste razumeli vsa navodila. Neupoštevanje spodaj navedenih navodil se lahko odrazi v električnem udaru, požaru in/ali resnih telesnih poškodbah.

⚠ OPOZORILO: Med uporabo tlačnih čistilnikov lahko nastajajo aerosoli. Vdihavanje aerosolov je lahko nevarno za zdravje.

⚠ OPOZORILO: Visokotlačni curki so lahko nevarni, če se zlorablajo. Curek ne sme biti usmerjen v osebe, električno opremo pod napetostjo ali v sam stroj.

⚠ OPOZORILO: Stroja ne uporabljajte znotraj dosega oseb, če ne nosijo zaščitnih oblačil.

⚠ OPOZORILO: Ne usmerjajte curka proti sebi ali drugim z namenom, da očistite oblačila ali obutev.

⚠ OPOZORILO: Nevarnost eksplozije – ne pršite vnetljivih tekočin.

⚠ OPOZORILO: Visokotlačnih čistilnikov ne smejo uporabljati otroci ali neusposobljeno osebeje.

⚠ OPOZORILO: Visokotlačne cevi, priključni elementi in sklopke so pomembni za varnost stroja.

⚠ OPOZORILO: Voda, ki je tekla skozi enote za preprečevanje povratnega toka, ni pitna.

⚠ OPOZORILO: Stroja ne uporabljajte, če so poškodovani njegovi pomembni, npr. varnostne naprave, visokotlačne cevi, kratka tlačna pištola.

⚠ OPOZORILO: Odvisno od uporabe lahko zaščitene šobe uporabimo za visokotlačno čiščenje, kar bo znatno zmanjšalo emisije vodnih aerosolov. Vendar pa pri vseh uporabah ni mogoče uporabiti takšne naprave. Če zaščitene šobe niso primerne za zaščito pred aerosoli, bo morda treba uporabljati dihalno masko razreda FFP 2 ali enakovredno, odvisno od okolja čiščenja.

- Ta stroj ni namenjen za uporabo osebam (vključno z otroki) z zmanjšanimi fizičnimi, senzoričnimi ali duševnimi sposobnostmi ali pomanjkanjem izkušenj in znanja. Otroci morajo biti pod nadzorom, da zagotovite, da se z aparatom ne igrajo.
- Vedeti morate, kako lahko izdelek hitro ustavite in znižate tlak. Temeljito se seznanite s krmilniki.
- Preprečite neželen zagon. Pred priklopom baterijskega sklopa, dviganjem ali nošenjem aparata se prepričajte, da je stikalo v položaju za izklop. Prenajanje aparata s prstom na stikalu ali napajanje naprave, pri kateri je stikalo v položaju za vklop, povzroči tveganje za nesreče.
- Pri upravljanju pištole se vedno zavedajte nevarnosti reakcijske sile in nenadnega navora na brizgalnem sklopu.

- Aparata ali baterije ne izpostavljajte prekomernim temperaturam.
- Bodite pozorni na nevarnost kratkega stika sponk aparata ali baterije zaradi kovinskih predmetov.
- Pred polnjenjem iz aparata odstranite polnilne baterije.
- Različne vrste baterij ali novih in rabljenih baterij ne smete mešati.
- Iztrošene baterije odstranite iz aparata in jih varno zavržite.
- Če boste aparat shranili za dlje časa, odstranite baterije.
- Nepolnilnih baterij ne uporabljajte namesto polnilnih baterij.
- Ne uporabljajte spremenjenih ali poškodovanih baterij.
- **Uporabljajte samo priporočene baterijske sklope in polnilnike.**

Ta navodila shranite. Pogosto jih preberite in jih uporabite za poučevanje drugih, ki uporabljajo a stroj. Če ta stroj komu posodite, posodite tudi ta navodila tudi za preprečevanje zlorabe izdelka in možnosti poškodb.

TEHNIČNI PODATKI

Napetost	56 V
Najvišji nazivni tlak	135 barov
Največji nazivni pretok (s povezanim kobjem za hitro povezavo in palico iz nerjavnega jekla)	6,5 l/min
Največji nazivni pretok (s priključeno samo kratko tlačno pištolo)	9,5 l/min
Omejen najvišji tlak za pištolo	250 barov
Omejen največji pretok za pištolo	30 l/min
Teža (brez baterijskega sklopa)	16,8 kg
Priporočena obratovalna temperatura	od 5 °C do 40 °C
Priporočena temperatura za shranjevanje	od -20 °C do 70 °C
Izmerjena raven zvočne moči L_{WA}	84 dB(A) K = 1,8 dB(A)
Raven zvočnega tlaka v ušesu upravljavca L_{PA}	72 dB(A) K = 3 dB(A)

SL

Zajamčena raven zvočnega tlaka L_{WA} (izmerjena v skladu z 2000/14/ES)	86 dB(A)
Tresljaji a_n	3,6 m/s ² K = 0,9 m/s ²

- Nazivna skupna vrednost tresljajev je bila izmerjena v skladu s standardno preskusno metodo in jo je mogoče uporabiti za primerjavo enega orodja z drugim.
- Nazivno skupno vrednost tresljajev je mogoče uporabiti tudi za predhodno oceno izpostavljenosti.

OPOMBA: Oddajanje tresljajev med dejansko uporabo električnega orodja se lahko razlikuje od nazivne vrednosti, v kateri se uporablja orodje. Upravljalavec se lahko zaščiti tako, da uporablja rokavice in naušnike, primerne dejanskim pogojem uporabe.

PRIPOROČENI DODATKI

⚠ OPOZORILO: Uporabljajte samo dodatno opremo, navedeno spodaj. Uporaba delov, ki ne izpolnjujejo zahtev originalne opreme, lahko vodi k neprimernemu delovanju in ogroženi varnosti.

IME DELA	ŠTEVILKA MODELA
Premium top za peno	AFC2000E
Turbo šoba	ANZ2000E-T
15° šoba	ANZ2015E
25° šoba	ANZ2025E
40° šoba	ANZ2040E
Šoba za izpiranje	ANZ2000E-R

SL

VSEBINA PAKETA (SL. A1)

OPIS

SPOZNAJTE SVOJ TLAČNI ČISTILNIK (sl. A1)

- Teleskopski ročaj
- Gumb za zaklep ročaja
- Zgornji nosilec držala
- Kolo (x2)
- Spodnji nosilec držala
- Vrata za dovod vode
- Vrata za izhod vode
- Gumb za hitrost
- Indikator hitrosti
- Gumb za vklop/izklop
- Predal za baterijski sklop

- Shramba za šobe
- Pokrov predala za baterijski sklop
- Električni kontakti
- Mehanizem za izmet
- Gumb za sprostitvev baterije
- Trak držala za cev
- Palica iz nerjavnega jekla
- Kopje za hitri priključek
- Visokotlačna cev
- Sifonska cev
- Komplet hitre spojke (x2)
- Top za peno
- Filter
- Igla za čiščenje šobe
- Šoba za spiranje
- Šoba, 40°
- Šoba, 25°
- Šoba, 15°
- TURBO šoba
- Kratka tlačna pištola
- Pokrov prostora za baterije
- Merilnik stanja goriva (5 lučk LED)
- Indikator hitrosti
- Gumb za hitrost
- Ročaj pištole
- Sprožilec
- Gumb za odklepanje

SESTAVLJANJE

NAMESTITEV SKLOPA NOSILCA DRŽALA (sl. B)

B-1:	Zgornji nosilec držala	B-2	Spodnji nosilec držala
B-3	Vijaki		

PRIKLJUČEVANJE VISOKOTLAČNE CEVI

(sl. C–sl. D)

Visokotlačno cev lahko priključite na enega od naslednjih načinov:

- Visokotlačno cev priključite neposredno na vrata za izhod vode in pištolo s pomočjo navojnih priključkov (sl. C1–sl. C2);
- Visokotlačno cev priključite na vrata za izhod vode in pištolo z dvema kompletoma hitrih spojk, da dosežete enostavno namestitvev/odstranitev (sl. D1–sl. D2).

OPOMBA: Kompleti hitrih spojk so tovarniško nameščeni na odprtino za izhod vode, visokotlačno cev in pištolo.

PRIKLJUČITEV KOPJA IN PALICE (sl. E1–sl. E2)

V primeru odklapljanja palico odvijte iz kopja in jo nato izvlecite. Odvijte gumb na kopju in nato povlecite zunanji obroč hitre spojke pištole, da izvlecete kopje.

⚠ OPOZORILO: Pri odstranjevanju kopja iz pištole vedno z eno roko držite pištolo, z drugo roko pa kopje. Če pade kopje, lahko pride do telesne poškodbe.

PRIKLJUČITEV ŠOBE (sl. F1/sl. F2)

OPOMBA: Šob ni mogoče priključiti na kopje.

- Izberite 15° šobo, 25° šobo, 40° šobo ali turbo šobo, ki jo želite namestiti na palico (sl. F1).

F1-1	Šoba, 15°	F1-2	Šoba, 25°
F1-3	Šoba, 40°	F1-4	TURBO šoba

- Šoba za spiranje je neposredno priključena na pištolo (sl. F2).

F2-1	Šoba za spiranje
------	------------------

⚠ OPOZORILO: Pri odstranjevanju šobe iz pištole vedno z eno roko držite pištolo, z drugo roko pa šobo. Če šoba izskoči, lahko pride do telesne poškodbe.

S pomočjo spodnje tabele izberite ustrezno šobo za opravilo.

Izbira šobe	Načini uporabe
Rumena 15° šoba	Čiščenje majhnih kovinskih, betonskih ali lesenih površin.
Zelena 25° šoba	Čiščenje večjih kovinskih, betonskih ali lesenih površin.
Bela 40° šoba	Čiščenje širokih kovinskih, betonskih, lesenih ali vinilnih površin.
Siva šoba za spiranje	Spiranje vozil. Spiranje detergenta s kovine, betona, lesa ali vinila.
Turbo šoba	Čiščenje samo trdih površin. Da bi preprečili poškodbe površine, orodja ne uporabljajte na avtomobilih in lesenih površinah.

PRIKLJUČITEV TOPA ZA PENO (sl. G)

Top za peno se neposredno priključi na pištolo.

Če ga želite odklopiti, povlecite zunanji obroč hitre spojke in nato izvlecite top za peno.

PRIKLJUČITEV SIFONSKE CEVI (sl. H1–sl. H2)

Kadar kot vir vode uporabljate vodno vedro (ni priloženo), priključite tlačni čistilnik na sifonsko cev.

OPOMBA: Vedro predhodno napolnite, tako da filter ne splava na površje, ko je potopljen.

PRIKLJUČITEV NA VRTNO CEV (NI PRILOŽENA)

Kadar kot vir vode uporabljate vodno pipo (ni priložena), priključite tlačni čistilnik na vrtno cev (ni priložena).

UPRAVLJANJE

UPORABA

Ta izdelek lahko uporabljate za naslednje namene:

- Čiščenje umazanije na avtomobilih, stenah, tleh itd.

PRIKLJUČITEV/ODKLOP BATERIJSKEGA SKLOPA

Napravo uporabljajte samo z baterijskimi sklopi in polnilniki EGO, navedenimi na sliki A2.

Za več podrobnosti glejte ustrezne priročnike za baterijske sklope in polnilnike.

Pred prvo uporabo baterijo popolnoma napolnite.

OPOMBA: Uporaba enega baterijskega sklopa vam ne bo omogočila doseganja hitrosti TURBO. Za najboljšo zmogljivost priporočamo uporabo dveh baterijskih sklopov 5,0 Ah ali močnejših.

- Dvignite pokrov prostora za baterije, tako da dvignete sprednji del pokrova.
- Za namestitev** poravnajte rebra baterije z režami za namestitev in pritisnite baterijski sklop navzdol, da zaslišite „klik“. Namestite drugo baterijo (sl. I1).
- Za odstranitev** pritisnite gumb za sprostitve baterije in izvlecite baterijski sklop (sl. I2).

I2-1	Gumb za sprostitve baterije
------	-----------------------------

- Zaprte pokrov prostora za baterije.

SL

ZAGON IN USTAVITEV TLAČNEGA ČISTILNIKA (sl. J)

Zagon tlačnega čistilnika

OPOMBA: Tlačnega čistilnika ne zaženite, če dovod vode ni priključen in vklopljen. To lahko poškoduje visokotlačna tesnila in skrajša življenjsko dobo črpalke.

1. Prepričajte se, da so sifonska cev, visokotlačna cev, pištola in šoba pravilno priključeni.
2. Kopje, palico, top za peno in filter priključite glede na svoje potrebe.
3. Izberite enega od spodnjih načinov oskrbe z vodo:
 - Kadar uporabljate vrtno cev (ni priložena), priključite tlačni čistilnik na vrtno cev in nato odprite pipo za vodo.
 - Kadar uporabljate vedro za vodo, filter priključite na sifonsko cev in nato filter in hitro spojko popolnoma potopite v vedro za vodo.
4. Namestite baterijski(e) sklop(e).
5. Pritisnite gumb za vklop, da vklopite tlačni čistilnik. Čistilnik bo po vsakem zagonu vedno deloval z veliko hitrostjo.

OPOMBA: Ko je tlačni čistilnik vklopljen, vendar ne opravite nobenega drugega dejanja, se čistilnik samodejno izklopi po 5 minutah pripravljenosti. V prvih nekaj minutah pripravljenosti bo indikator hitrosti na tlačnem čistilniku trikrat zeleno utripil, kar kaže, da v sifonsko cev ne teče voda.

6. Pištolo držite z obema rokama, pritisnite odklepno stran gumba za zaklepanje in nato stisnite sprožilec, dokler ne nastane enakomeren pretok vode.

OPOMBA: Če je kopje priključeno, držite pištolo z eno roko, koplje pa z drugo roko.

7. Začnite s pranjem s pršenjem.

OPOMBA: Nekaj časa lahko traja, da voda priteče iz vira in izstopi iz šobe kot enakomerno pršenje. Če želite hitro doseči enakomeren pretok vode, boste morda morali:

- a. Odstraniti šobo;
- b. Pritisniti sprožilec in počakati, da iz palice začne izhajati enakomeren vodni tok;
- c. Sprostiti sprožilec in ponovno namestiti šobo.

Izklop tlačnega čistilnika

1. Ko je pranje končano, spustite sprožilec in pritisnite gumb za zaklepanje, da zaklenete položaj.
2. Pritisnite gumb za vklop/izklop, da izklopite tlačni čistilnik.

3. Zaprite pipo za vodo ali odstranite sifonsko cev iz vedra za vodo.
4. Pritisnite gumb za zaklepanje pištrole v položaj za odklepanje in stisnite sprožilec, da izpraznite vodo iz cevi.

OPOMBA: Pištole, cevi, palic, šob ali topa za peno ne smete odklopiti, dokler v ceveh ostaja voda.

5. Odklopite in odstranite pištolo, cevi, palice, šobe ali top za peno.
6. Pritisnite gumb za vklop/izklop, da vklopite tlačni čistilnik, da izpraznite vodo iz tlačnega čistilnika.
7. Ponovno pritisnite gumb za vklop/izklop, da izklopite tlačni čistilnik.
8. Odstranite baterijske sklope.

DALJINSKI UPRAVLJALNIK

Pištolo lahko seznanite s tlačnim čistilnikom, da deluje kot daljinski upravljalnik.

Seznanjanje kratke tlačne pištrole (sl. K)

1. Vstavite baterijski sklop in vklopite visokotlačni čistilnik.
2. Dolgo pritisnite gumb za hitrost na visokotlačnem čistilniku, dokler tri zelene lučke ne začnejo utripati.

OPOMBA: Utiranje bo trajalo približno 20 s, zato je pištolo mogoče seznaniti le v tem času. Prav tako lahko kratko pritisnete gumb za hitrost na čistilniku, da kadarkoli zapustite način seznanjanja.

3. Pritisnite in pridržite gumb za hitrost na pištoli, dokler tri zelene lučke ne začnejo utripati, kar pomeni, da se je postopek seznanjanja začel.

OPOMBA: Utiranje, ki označuje postopek seznanjanja, bo trajalo približno 10 s. Če želite kadarkoli zapustiti postopek seznanjanja, lahko na kratko pritisnete gumb za hitrost na pištoli.

4. Kazalniki hitrosti na čistilniku in pištoli bodo za 3 s prikazali tri zelene lučke skupaj, da bi označili, da je seznanjanje uspešno, nato pa prikažejo dve zeleni lučki.
5. Če seznanjanje ni uspelo, bodo na indikatorjih hitrosti na čistilniku in pištoli utripale tri zelene lučke, nato pa bodo ugasnile.

Uporaba daljinskega upravljalnika

Ko je seznanjanje končano, enkrat pritisnite gumb za hitrost na pištolo, zasveti 5 lučk LED na merilniku goriva in indikator hitrosti. Ponovno pritisnite gumb za hitrost, da dejansko spremenite hitrost.

OPOMBA:

- 5 lučk LED na merilniku goriva in indikator hitrosti se izklopijo, ko na gumbu za hitrost pištole v 10 sekundah ni nadaljnjih dejanj.
- 5 lučk LED na merilniku goriva označuje nivo napoljenosti baterije. Kadar sta nameščena dva baterijska sklopa, označuje raven napoljenosti baterijskega sklopa z višjo napoljenostjo.
- Indikator hitrosti na pištoli je vedno sinhroniziran z indikatorjem hitrosti na enoti tlačnega čistilnika.

IZBIRA HITROSTI

- Hitrost tlačnega čistilnika se lahko nastavi z gumbom za hitrost na čistilniku ali seznanjeni pištoli.
- Hitrost čistilnika je mogoče prilagoditi, medtem ko je čistilnik vklopljen, oziroma med pršenjem.
- Vsakokrat, ko pritisnete gumb za hitrost, bo hitrost prekopala med visoko stopnjo, stopnjo TURBO in nizko stopnjo. Indikator hitrosti prikazuje eno zeleno lučko, dve zeleni lučki ali tri zelene lučke, ki označujejo, ali čistilnik deluje z nizko, visoko ali turbo hitrostjo.

OPOMBA: Ko je vstavljen samo en baterijski sklop, hitrosti TURBO ni mogoče doseči in vsakokrat, ko pritisnete gumb za hitrost, hitrost preklopi med visoko in nizko stopnjo.

OPOMBA: Če tlačni čistilnik deluje s hitrostjo TURBO, to lahko vpliva na čas izvajanja na eno polnjenje.

ČIŠČENJE Z DETERGENTOM

⚠ OPOZORILO: Uporabljajte samo detergente, posebej izdelane za uporabo s čistilniki. Upoštevajte navodila za uporabo, odstranjevanje in varnostna navodila proizvajalca detergenta.

1. Steklenico topa za peno obrnite v nasprotni smeri urinega kazalca in jo odstranite (sl. L1).
2. V steklenico nalijte detergent.

OPOMBA: Temperatura detergenta ne sme presegati 60 °C.

3. Zamenjajte top za peno in ga priključite s hitro spojko pištole.
4. Zavrtite gumb za detergent, da prilagodite količino detergenta, dodanega vodnemu toku, glede na svoje potrebe (sl. L2).

VZDRŽEVANJE

⚠ OPOZORILO: Če želite preprečiti resne telesne poškodbe, odstranite baterijo iz izdelka, preden servisirate, očistite, zamenjate dodatke ali odstranjujete material iz enote.

SPLOŠNO VZDRŽEVANJE

Pri čiščenju plastičnih delov ne uporabljajte topil. Večina vrst plastike se lahko pri uporabi različnih komercialnih topil poškoduje. Umazanje, prah, olje, mast itd. odstranite s čisto krpo.

⚠ OPOZORILO: Zavorna tekočina, gorivo, izdelki na osnovi naftnih derivatov, prodirajoče olje nikoli ne smejo priti v stik s plastičnimi deli. Kemikalije lahko poškodujejo, oslabijo ali uničijo plastiko, kar lahko povzroči hude telesne poškodbe.

⚠ OPOZORILO: Če želite zmanjšati nevarnost požara, telesnih poškodb in poškodb izdelka zaradi kratkega stika, stroja, baterijskega sklopa ali polnilnika nikoli ne potopite v tekočino in ne dovolite, da tekočina teče v njih. Jedke ali prevodne tekočine, kot so morska voda, nekatere industrijske kemikalije in izdelki, ki vsebujejo belilo ali belilo itd., lahko povzročijo kratek stik.

ZAMENJAVA CELIČNE BATERIJE (sl. M1&M2)

⚠ OPOZORILO: Ne sme biti na dosegu otrok. Zaužitje lahko povzroči kemične opekline, perforacijo mehkega tkiva in smrt. Hude opekline se lahko pojavijo v 2 urah po zaužitju. Takoj poiščite zdravniško pomoč.

OBVESTILO: Nikoli ne potisnite baterije neposredno v predal (sl. M3). V nasprotnem primeru se bosta obe sponki poškodovali, kar bo povzročilo okvaro daljinskega upravljalnika pištole.

M3-1	Sponke
------	--------

OPOMBA: Pištolo s tlačnim čistilnikom popravite po zamenjavi celične baterije v skladu z navodili v poglavju »Seznanjanje kratke tlačne pištole«.

ČIŠČENJE FILTROV

- Odvijte in odstranite gumb na vratih za dovod vode, nato pa izvlecite kovinsko mrežico iz vrat za dovod vode, kovinsko mrežico sperite ali jo po potrebi zamenjajte (sl. N1).

N1-1	Kovinska mrežica
------	------------------

- Filter odstranite iz sifonske cevi, ga odvijte in temeljito sperite (sl. N2).

SL

ČIŠČENJE ŠOB (sl. O)

Ko so odprtine šob blokirane, lahko s priloženo iglo za čiščenje šobe očistite blokade v šobi.

TRANSPORT TLAČNEGA ČISTILNIKA (sl. P)

Pritisnite gumb za zaklep ročaja in nato izvlecite teleskopski ročaj na prvo stopnjo dolžine, dokler ne zaslišite »klika«. Če želite, lahko pritisnete gumb za zaklep ročaja in nato teleskopski ročaj potegnete na drugo stopnjo dolžine.

SHRANJEVANJE TLAČNEGA ČISTILNIKA

1. Ustavite tlačni čistilnik, sprostite tlak, izpraznite vodo in odstranite baterijski sklop iz tlačnega čistilnika v skladu z navodili v poglavju »**Zaustavitev tlačnega čistilnika**«.
2. Šobe shranjujte v prostoru za shranjevanje šob tlačnega čistilnika (sl. Q1).
3. Visokotlačno cev zvijte in jo shranite za teleskopskim ročajem (sl. Q2).
4. Sklop pištole in kopja ter palice shranite v nosilce držala oziroma pištolo odstranite in jo shranite v zgornje nosilce držala (sl. Q3).
5. Pred shranjevanjem temeljito očistite tlačni čistilnik.
6. Tlačni čistilnik shranjujte v suhem in dobro zračenem prostoru, ki ga je mogoče zakleniti ali je dvignjen in izven dosega otrok. Tlačnega čistilnika ne shranjujte na ali v bližini gnojil, bencina ali drugih kemikalij.

Varovanje okolja



Električne opreme, rabljene baterije in polnilnika ne odvrzite med gospodinske odpadke. Izdelek odnesite v pooblaščen obrat za recikliranje in ga zavrzite ločeno. Električna orodja je treba odnesti na obrat za recikliranje in ga reciklirati na okolju prijazen način.

ODPRAVLJANJE TEŽAV

TEŽAVA	VZROK	REŠITEV
Tlačnega čistilnika ni mogoče vklopiti.	<ul style="list-style-type: none"> ■ Napolnjenost baterijskega sklopa je nizka. ■ Baterijski sklop ni pravilno nameščen. 	<ul style="list-style-type: none"> ■ Napolnite baterijski sklop. ■ Baterijski sklop potisnite v prostor za baterijske, dokler ne zaslišite, da se zaskoči.
Hitrosti TURBO ni bilo mogoče aktivirati.	<ul style="list-style-type: none"> ■ Za delovanje čistilnika se uporablja samo en baterijski sklop. 	<ul style="list-style-type: none"> ■ Uporabite dva baterijska sklopa 5,0 Ah ali močnejša.
Črpalka tlačnega čistilnika preneha delovati in na indikatorju hitrosti na čistilniku utripajo tri zelene lučke.	<ul style="list-style-type: none"> ■ Tlačni čistilnik ali baterijski sklopi se pregrevajo. ■ Šoba je blokirana. ■ V sifonsko cev ne teče voda. ■ Napolnjenost baterijskega sklopa je nizka. ■ Druge elektronske napake 	<ul style="list-style-type: none"> ■ Počakajte, da se tlačni čistilnik ali baterijski ohladijo na delovno temperaturo in nato ponovno zaženite čistilnik. ■ Uporabite iglo za čiščenje šobe in odstranite blokado. ■ Preverite in se prepričajte, da voda pravilno teče v sifonsko cev. ■ Napolnite baterijski sklop. ■ Stopite v stik s službo za stranke EGO.
Pretok vode je med pršenjem nizek.	<ul style="list-style-type: none"> ■ Filter je delno blokiran. ■ Kovinska mrežica v vratih za dovod vode je delno blokirana. ■ Filter in hitra spojka sifonske cevi nista popolnoma potopljena v vodo. ■ Sifonska cev je zložena. ■ Voda je umazana. ■ Visokotlačna cev je blokirana. 	<ul style="list-style-type: none"> ■ Očistite filter. ■ Odstranite in očistite kovinsko mrežico. ■ Popolnoma potopite filter in hitro spojko v vodo. ■ Odvijte sifonsko cev ali jo zamenjajte. ■ Uporabljajte samo čisto vodo. ■ Odstranite šobo in nato začnite s pršenjem vode iz cevi, da očistite blokado cevi.

SL

TEŽAVA	VZROK	REŠITEV
Pršenje vode ne deluje.	<ul style="list-style-type: none"> ■ Ni dovoda vode. ■ Filter je popolnoma blokiran. ■ Kovinska mrežica v vratih za dovod vode je popolnoma blokirana. ■ Šoba je blokirana. ■ Črpalka, cevi ali druge komponente so zamrznjene. 	<ul style="list-style-type: none"> ■ Preverite in se prepričajte, da je čistilnik pravilno priključen na dovod vode. ■ Očistite filter. ■ Odstranite in očistite kovinsko mrežico. ■ Uporabite iglo za čiščenje šobe in odstranite blokado. ■ Počakajte, da se odtalijo.
Pretok vode ni stabilen.	<ul style="list-style-type: none"> ■ V čistilnik uhaja zrak. ■ Tesnila črpalke so obrabljena. 	<ul style="list-style-type: none"> ■ Preverite in zagotovite, da je sifonska cev pravilno priključena. ■ Stopite v stik s službo za stranke EGO.
Pršenje vode se začne ali ustavi samodejno.	<ul style="list-style-type: none"> ■ Visokotlačna cev je poškodovana. ■ Iz pištole pušča voda. ■ Tesnila črpalke in tesnila cevi so obrabljena. 	<ul style="list-style-type: none"> ■ Zamenjajte jo z novo visokotlačno cevjo. ■ Stopite v stik s službo za stranke EGO. ■ Stopite v stik s službo za stranke EGO.
Pištola ne more nadzorovati čistilnika.	<ul style="list-style-type: none"> ■ Položaj pištole je zunaj območja brezžične povezave. ■ Napolnjenost celične (gumbne) baterije je nizka. ■ Pištola ni pravilno seznanjena. ■ Celična baterija ni pravilno nameščena. 	<ul style="list-style-type: none"> ■ Pištolo premaknite bližje tlačnemu čistilniku. ■ Zamenjajte jo z novo celično (gumbno) baterijo. ■ Dokončajte seznanjanje v skladu z navodili v poglavju »Seznanjanje kratke tlačne pištole«. ■ Celično baterijo namestite v skladu z navodili v poglavju »ZAMENJAVA CELIČNE BATERIJE«.

SL

GARANCIJA

GARANCIJSKA POLITIKA DRUŽBE EGO

Za popolne pogoje garancijske politike družbe EGO obiščite spletno mesto egopowerplus.eu.

PERSKAITYKITE VISAS INSTRUKCIJAS!



SKAITYTI NAUDOJIMO INSTRUKCIJĄ

⚠️ ĮSPĖJIMAS. Kad būtų užtikrintas saugumas ir patikimumas, visus remonto darbus turi atlikti kvalifikuotas techninės priežiūros specialistas.

SAUGOS SIMBOLIAI

Saugos simbolių paskirtis – atkreipti dėmesį į galimus pavojus. Gerai susipažinkite su saugos simboliais bei jų paaiškinimais ir juos įsidėmėkite. Simbolių įspėjimai patys savaime negali apsaugoti nuo pavojų. Jais žymimi nurodymai ir įspėjimai neatstoja tinkamų nelaimingų atsitikimų prevencijos priemonių.

⚠️ ĮSPĖJIMAS. Prieš pradėdami naudoti šį įrenginį, perskaitykite visus šiame naudotojo vadove pateiktus saugos nurodymus, įskaitant visus saugos įspėjamaisiais simboliais, tokiais kaip „PAVOJUS“, „ĮSPĖJIMAS“ ir „DĖMESIO“, pažymėtus nurodymus, bei įsitikinkite, kad juos supratote. Nesilaikant visų toliau išdėstytų nurodymų galima patirti elektros smūgį, sukelti gaisrą ir (ar) sunkiai susižaloti.

⚠️ ĮSPĖJIMAS. Gaisro ir nudegimų pavojus. Prietaiso neardykite; nekaitinkite virš 100 °C ir nedeginkite. Laikykite akumuliatorių vaikams nepasiekiamoje vietoje ir gamintojo pakuotėje, kol jis bus paruoštas naudoti. Panaudotas baterijas nedelsiant išmeskite laikydamiesi vietoje galiojančių atliekų tvarkymo ir perdirbimo teisės aktų nuostatų.

SAUGOS NURODYMAI

Šiame puslapyje pavaizduoti ir aprašyti saugos simboliai, kurie gali būti nurodyti ant šio gaminio. Prieš bandydami surinkti ir naudoti įrankį, perskaitykite visus ant jo pateiktus nurodymus, įsitikinkite, kad juos supratote, ir jais vadovaukitės.



Įspėjimas dėl saugos



Norėdamas sumažinti susižalojimo pavojų, naudotojas privalo perskaityti naudojimo instrukciją.



Niekada nepurškite į save, kitus asmenis, gyvūnus, energijos šaltinius ar į patį įrenginį.



Šis gaminys atitinka taikomas EB direktyvas.



Nejunkite prie geriamojo vandens tinklo.



Įvertinta JK atitiktis



Netinkamas naudoti elektrinius įrankius draudžiama išmesti kartu su buitinėmis atliekomis. Pristatyti įgaliotam perdirbėjui.



Vandens slėgis



Vandens srautas



Darbinė temperatūra



Nuolatinė srovė

kg Kilogramai



V Įtampa

MPa Megapaskaliai

LT

°C Celsijaus laipsniai

L/min Litrai per minutę

IPX5 Apsauga nuo vandens srovių

⚠️ ĮSPĖJIMAS. Prieš naudodami įrenginį perskaitykite ir supraskite visas instrukcijas. Nesilaikant visų toliau išdėstytų nurodymų galima patirti elektros smūgį, sukelti gaisrą ir (ar) sunkiai susižaloti.

⚠️ ĮSPĖJIMAS. Naudojant aukšto slėgio valymo įrenginius, gali susidaryti aerozolių. Įkvėpti aerozoliai gali būti pavojingi sveikatai.

⚠️ ĮSPĖJIMAS. Netinkamai naudojamoms aukšto slėgio srovės gali būti pavojingos. Srovės negali nukreipti į žmones, su įtampa veikiančius elektros įrenginius arba į patį įrenginį.

⚠️ ĮSPĖJIMAS. Nenaudokite įrenginio žmonių akivaizdoje, nebent jie dėvi apsauginius drabužius.

⚠️ ĮSPĖJIMAS. Nenukreipkite srovės į save ar kitus asmenis, kad nuplautumėte drabužius ar avalynę.

⚠️ ĮSPĖJIMAS. Sprogimo pavojus – nepurškite degių skysčių.

⚠️ ĮSPĖJIMAS. Aukšto slėgio valymo įrenginių negalima naudoti vaikams ar neapmokytiems darbuotojams.

⚠️ ĮSPĖJIMAS. Aukšto slėgio žarnos, jungtys ir movos yra svarbios įrenginio saugumui užtikrinti.

⚠️ ĮSPĖJIMAS. Vanduo, pratekėjęs pro atbulinio srauto apsauginius įtaisus, laikomas negeriamuoju.

⚠️ ĮSPĖJIMAS. Nenaudokite įrenginio, jei pažeistos svarbios įrenginio dalys, pvz., saugos įtaisai, aukšto slėgio žarnos, trumpas slėginis pistoletas.

⚠️ ĮSPĖJIMAS. Atsižvelgiant į naudojimo būdą, valymui aukštu slėgiu galima naudoti ekranuotus antgalius, kurie labai sumažina hidratuotų aerozolių emisiją. Tačiau ne visais atvejais galima naudoti tokį prietaisą. Jei apsaugai nuo aerozolių nenaudojami ekranuoti antgaliai, atsižvelgiant į valymo aplinką gali prireikti FFP 2 klasės arba lygiavertės kvėpavimo kaukės.

■ Šis įrenginys nėra skirtas naudoti asmenims (įskaitant vaikus), kurių fiziniai, jutiminiai ar protiniai gebėjimai yra riboti arba kuriems trūksta patirties ir žinių. Vaikus reikia prižiūrėti ir neleisti jiems žaisti su prietaisu.

■ Žinokite, kaip greitai sustabdyti gaminį ir sumažinti slėgį. Gerai susipažinkite su valdikliais.

■ Apsisaugokite nuo atsitiktinio įjungimo. Prieš prijungdami prietaisą prie sudėtinės baterijos ir prieš jį pakeldami arba nešdami įsitikinkite, ar išjungtas jungiklis. Nešant prietaisą ir laikant pirštą ant jungiklio arba prijungiant prietaisą prie maitinimo šaltinio, kai įjungtas jo jungiklis, gali įvykti nelaimingas atsitikimas.

■ Dirbdami su pistoletu atminkite pavojus, kurie gali kilti dėl purškiančio pistoleto jėgos ir staigaus sukimo momento.

■ Nelaikykite prietaiso ar baterijos aukštoje temperatūroje.

■ Atkreipkite dėmesį į pavojus, kylančius dėl su baterijomis veikiančio prietaiso gnybtų arba dėl metalinių daiktų sukkelto baterijos trumpojo jungimo.

■ Įkraunamas baterijas prieš įkrovimą reikia išimti iš prietaiso.

■ Negalima maišyti skirtingų tipų baterijų arba naujų ir naudotų baterijų.

■ Iškrautas baterijas reikia išimti iš prietaiso ir saugiai utilizuoti.

■ Jeigu prietaisas ilgą laiką nenaudojamas, reikia iš jo išimti baterijas.

■ Nenaudokite neįkraunamų baterijų vietoj įkraunamų baterijų.

■ Nenaudokite modifikuotų arba pažeistų baterijų.

■ **Naudokite tik su nurodytomis sudėtinėmis baterijomis ir įkrovikliais.**

Pasilikite šią instrukciją. Dažnai ją paskaitykite ir panaudokite ją apmokyti kitiems asmenims, kurie gali naudoti įrenginį. Jei kam nors skolinatė šį įrenginį, perduokite ir šias instrukcijas; taip užkirsite kelią netinkamam gaminio naudojimui ir galimiems sužeidimams.

LT

TECHNINIAI DUOMENYS

Įtampa	56 V
Didžiausias nurodytasis slėgis	135 barai
Didžiausias nurodytasis srautas (prijungus greitojo prijungimo vamzdelį su kiaurymėmis ir nerūdijančio plieno siaurą vamzdelį)	6,5 l/min
Didžiausias nurodytasis srautas (kai prijungtas tik trumpasis slėginis pistoletas)	9,5 l/min
Ribotas maksimalus purškimo pistoleto slėgis	250 bar
Ribotas maksimalus purškimo pistoleto srautas	30 l/min
Svoris (be baterijos)	16,8 kg
Rekomenduojama darbo temperatūra	5 – 40 °C
Rekomenduojama laikymo temperatūra	-20 – 70 °C
Išmatuotas garso galios lygis L_{WA}	84 dB(A) K=1,8 dB(A)
Garso slėgio lygis ties operatoriaus ausimi L_{PA}	72 dB(A) K=3 dB(A)
Garantuojamas garso galios lygis L_{WA} (išmatuotas pagal 2000/14/EB)	86 dB(A)
Vibracija a_n	3,6 m/s ² K=0,9 m/s ²

- Nurodyta bendroji vibracijos vertė išmatuota taikant standartinį bandymo metodą, todėl pagal ją galima palyginti skirtingus įrankius.
- Nurodytą bendrąją vibracijos vertę taip pat galima naudoti pirminiam poveikio vertinimui.

PASTABA. Naudojant elektrinį įrenginį realiomis sąlygomis, sklaidžiamos vibracijos stiprumo vertė gali skirtis nuo nurodytos. Kad apsaugotų dirbdamas realiomis sąlygomis, naudotojas turi mūvėti pirštines ir naudoti klausos apsaugos priemones.

REKOMENDUOJAMI PRIEDAI

⚠ ĮSPĖJIMAS. Naudokite tik toliau išvardytus priedus. Naudojant priedus, kurie neatitinka originalios įrangos specifikacijų, įrenginys gali netinkamai veikti ir kelti pavojų.

DALIES PAVADINIMAS	MODELIO NUMERIS
„Premium“ putų purkštuvai	AFC2000E
„Turbo“ antgalis	ANZ2000E-T
15° antgalis	ANZ2015E
25° antgalis	ANZ2025E
40° antgalis	ANZ2040E
Plovimo antgalis	ANZ2000E-R

PAKUOTĖS TURINIO SĄRAŠAS (A1 PAV.)

APRAŠYMAS

SUSIPAŽINKITE SU SLĖGINIU PLOVIMO ĮRENGINIU (A1 pav.)

1. Sustumiama rankena
2. Rankenos blokavimo mygtukas
3. Viršutinis laikiklis
4. Ratukas (2 vnt.)
5. Apatinis laikiklis
6. Vandens išleidimo anga
7. Vandens išleidimo anga
8. Greičio mygtukas
9. Greičio indikatorius
10. Maitinimo mygtukas
11. Sudėtinės baterijos skyrius
12. Antgalių laikymo skyrius
13. Sudėtinės baterijos skyriaus dangtelis
14. Elektros kontaktai
15. Išstūmimo mechanizmas
16. Baterijos atjungimo mygtukas
17. Žarnos laikiklio dirželis
18. Nerūdijančio plieno vamzdelis
19. Greito prijungimo vamzdelis su kiaurymėmis
20. Aukšto slėgio žarna
21. Sifono žarna
22. Greitojo prijungimo movų komplektas (x 2)
23. Putų purkštuvai
24. Filtras
25. Antgalio valymo adata
26. Plovimo antgalis

LT

27. 40° antgalis
28. 25° antgalis
29. 15° antgalis
30. TURBO antgalis
31. Trumpasis slėginis pistoletas
32. Baterijų skyriaus dangtelis
33. Įkrovos matuoklis su 5 LED lemputėmis
34. Greičio indikatorius
35. Greičio mygtukas
36. Pistoletu rankena
37. Jungiklis
38. Blokuotės išjungimo mygtukas

SURINKIMAS

LAIKIKLIO SAŖANKOS UŽDĖJIMAS (B pav.)

B-1	Viršutinis laikiklis	B-2	Apatinis laikiklis
B-3	Varžtai		

AUKŠTO SLĖGIO ŽARNOS PRIJUNGIMAS (C–D pav.)

Aukšto slėgio žarną galite prijungti vienu iš toliau nurodytų būdų:

- prijunkite aukšto slėgio žarną prie vandens išleidimo angos ir pistoleto tiesiogiai naudodami sriegines jungtis (C1–C2 pav.);
- prijunkite aukšto slėgio žarną prie vandens išleidimo angos ir pistoleto naudodami du greitojo prijungimo movų komplektus, kad galėtumėte greitai prijungti ir atjungti (D1–D2 pav.).

PASTABA. Greitojo prijungimo movų komplektai gamykloje buvo sumontuoti ant vandens išleidimo angos, aukšto slėgio žarnos ir pistoleto.

VAMZDELIO SU KIAURYMĖMIS IR SIAURO VAMZDELIO PRIJUNGIMAS (E1–E2 pav.)

Norėdami atjungti, atsukite siaurą vamzdelį nuo vamzdelio su kiaurymėmis ir ištraukite. Atsukite vamzdelio su kiaurymėmis rankenėlę ir ištraukite pistoleto greitojo prijungimo movos išorinį žiedą, kad ištrauktumėte vamzdelį su kiaurymėmis.

⚠ ĮSPĖJIMAS. Nuimdami vamzdelį su kiaurymėmis nuo pistoleto, visada viena ranka laikykite pistoletą, o kita ranka – vamzdelį su kiaurymėmis. Vamzdeliui su kiaurymėmis nukritus galima susižeisti.

ANTGALIO PRIJUNGIMAS (F1 pav. / F2 pav.)

PASTABA. Antgalių negalima prijungti prie vamzdelio su kiaurymėmis.

- Pasirinkite 15° antgalį, 25° antgalį, 40° antgalį arba „Turbo“ antgalį ir prijunkite jį prie siauro vamzdelio (F1 pav.).

F1-1	15° antgalis	F1-2	25° antgalis
F1-3	40° antgalis	F1-4	TURBO antgalis

- Plovimo antgalis tiesiogiai prijungiamas prie pistoleto (F2 pav.).

F2-1	Plovimo antgalis
------	------------------

⚠ ĮSPĖJIMAS. Atjungdami antgalį nuo pistoleto, visada viena ranka laikykite pistoletą, o kita – antgalį. Iššokus antgaliai galima susižeisti.

Vadovaukitės toliau pateikta lentele pasirinkdami darbui tinkamą antgalį.

Antgalių pasirinkimas	Naudojimas
Geltonas 15° antgalis	Valykite nedidelius metalinius, betoninius ar medinius paviršius.
Žalias 25° antgalis	Valykite didesnius metalinius, betoninius ar medinius paviršius.
Baltas 40° antgalis	Valykite didelius metalinius, betoninius, medinius ar vinilinius paviršius.
Pilkas plovimo antgalis	Plaukite transporto priemones. Nuplaukite ploviklį nuo metalo, betono, medienos ar vinilo.
„Turbo“ antgalis	Valykite tik kietus paviršius. Kad nepažeistumėte paviršiaus, nenaudokite plaudami automobilius ir medinius paviršius.

PUTŲ PURKŠTUVO PRIJUNGIMAS (G pav.)

Putų purkštuvas tiesiogiai prijungiamas prie pistoleto.

Norėdami atjungti, patraukite išorinį greitojo prijungimo movos žiedą ir ištraukite putų purkštuvą.

LT

SIFONO ŽARNOS PRIJUNGIMAS (H1–H2 pav.)

Jei vandenį imate iš vandens kibiro (neteikiamas), prijunkite slėginį plovimo įrenginį prie sifono žarnos.

PASTABA. Iš anksto pripildykite kibirą, kad panardintas filtras neišplauktų į paviršius.

SODO ŽARNOS (NETEIKIAMA) PRIJUNGIMAS

Jei vandens vandenį imate iš vandens čiaupo (neteikiamas), slėginį plovimo įrenginį prijunkite prie sodo žarnos (neteikiama).

DARBAS

PASKIRTIS

Galite naudoti šį gaminį toliau išvardytais tikslais:

- Nešvarumams plauti nuo automobilių, sienų, grindų ir kt.

SUDĖTINĖS BATERIJOS ĮSTATYMAS IR IŠĖMIMAS

Naudokite tik A2 pav. pateiktus EGO sudėtines baterijas ir įkroviklius.

Daugiau informacijos rasite atitinkamuose akumuliatorių ir įkroviklių vadovuose.

Prieš bateriją naudodami pirmą kartą, visiškai ją įkraukite.

PASTABA. Naudodami sudėtinę bateriją negalėsite pasiekti **TURBO greičio**. Kad įrenginys veiktų geriausiai, rekomenduojame naudoti dvi 5,0 Ah arba didesnės talpos sudėtines baterijas.

1. Pakelkite baterijų skyriaus dangtelį keldami jo priekį.
2. **Norėdami įdėti**, sulygiuokite vienos baterijos iškyšas su tvirtinimo angomis ir spauskite sudėtinę bateriją žemyn, kol išgirsite spragtelėjimą. Prijunkite kitą akumuliatorių (I1 pav.).
3. **Norėdami išimti**, paspauskite baterijos atjungimo mygtuką ir ištraukite bateriją (I2 pav.).

I2-1	Akumuliatoriaus atjungimo mygtukas
------	------------------------------------

4. Uždarykite akumuliatoriaus skyriaus dangtį.

SLĖGINIO PLOVIMO ĮRENGINIO PALEIDIMAS IR SUSTABDYMAS (J pav.)

Slėginio plovimo įrenginio paleidimas

PASTABA. Nepaleiskite slėginio plovimo įrenginio, jei nėra prijungtas ir įjungtas vandens tiekimas. Priešingu atveju galite sugadinti aukšto slėgio sandariklius ir sutrumpinti siurblio eksploataavimo laiką.

1. Įsitikinkite, kad sifono žarna, aukšto slėgio žarna, pistoletas ir antgalis yra tinkamai prijungti.
2. Pagal poreikius prijunkite vamzdelį su kiaurymėmis, siaurą vamzdelį, putų purkštuvą ir filtrą.
3. Pasirinkite vieną iš toliau nurodytų vandens tiekimo būdų.
 - Jei naudojate sodo žarną (neteikiama), prijunkite slėginį plovimo įrenginį prie sodo žarnos ir atsukite vandens čiaupą.
 - Jei naudojate vandens kibirą, prijunkite filtrą prie sifono žarnos ir visiškai panardinkite filtrą bei greitojo prijungimo jungtį vandens kibire.
4. Įdėkite sudėtinę (-es) bateriją (-as).
5. Paspauskite maitinimo mygtuką, kad įjungtumėte slėginį plovimo įrenginį. Kiekvieną kartą paleidus, plovimo įrenginys veiks dideliu greičiu.

PASTABA. Jei slėginis plovimo įrenginys įjungiamas, tačiau neatliekama jokių kitų veiksmų, po 5 minučių veikimo budėjimo režimu jis automatiškai išsijungs. Per pirmąsias kelias minutes veikiant budėjimo režimu, mirksės trys žalios slėginio plovimo įrenginio greičio indikatorius lemputės. Tai reiškia, kad iš sifono žarną neteka vanduo.

6. Laikykite pistoletą abiem rankomis, paspauskite blokuotės išjungimo mygtuko atblokavimo pusę, tada spauskite jungiklį, kol atsiras tolygus vandens srautas.

PASTABA. Jei prijungtas vamzdelis su kiaurymėmis, viena ranka laikykite pistoletą, kita – vamzdelį su kiaurymėmis.

7. Pradėkite purškiamąjį plovimą.

PASTABA. Gali šiek tiek užtrukti, kol vanduo iš šaltinio atitekės iki antgalio ir pradės tolygiai purkšti. Norėdami, kad vanduo greitai bėgtų tolygia srove, galite:

- a. Nuimti antgalį.
- b. Paspauskite jungiklį ir palaukite, kol iš siauro vamzdelio pradės tekėti tolygi vandens srovė.
- c. Atleiskite jungiklį ir vėl uždėkite antgalį.

Slėginio plovimo įrenginio sustabdymas

1. Baigę plauti, atleiskite jungiklį ir paspauskite blokuotės išjungimo mygtuką į blokavimo padėtį.
2. Paspauskite maitinimo mygtuką, kad išjungtumėte slėginį plovimo įrenginį.
3. Užsukite vandens čiaupą arba ištraukite sifono žarną iš vandens kibiro.
4. Paspauskite pistoleto blokuotės išjungimo mygtuką į atblokavimo padėtį ir paspauskite jungiklį, kad iš žarnų ištekėtų vanduo.

PASTABA. Pistoletu, žarnų, siaurų vamzdelių, antgalių ar putų purkštuvu negalima atjungti tol, kol žarnos yra vandens.

5. Atjunkite ir nuimkite pistoletą, žarnas, siaurus vamzdelius, antgalius arba putų purkštuvą.
6. Paspauskite maitinimo mygtuką, kad įjungtumėte slėginį plovimo įrenginį ir iš jo ištuštintumėte vandenį.
7. Dar kartą paspauskite maitinimo mygtuką, kad išjungtumėte slėginį plovimo įrenginį.
8. Išimkite akumuliatorių (-ius).

NUOTOLINIS VALDYMAS

Pistoletą galima susieti su slėginiu plovimo įrenginiu ir naudoti kaip nuotolinio valdymo pultą.

Trumpo slėginio pistoleto siejimas (K pav.)

1. Įdėkite sudėtinę (-es) bateriją (-as) ir įjunkite aukšto slėgio plovimo įrenginį.
2. Ilgai spauskite aukšto slėgio plovimo įrenginio greičio mygtuką, kol pradės mirksėti trys žalios lemputės.

PASTABA. Mirksėjimas trunka maždaug 20 s, todėl pistoletą galima susieti tik per šį laiką. Taip pat galite trumpai spustelėti plovimo įrenginio greičio mygtuką, kad bet kada išjungtumėte siejimo režimą.

3. Paspauskite ir palaikykite nuspaudę greičio mygtuką ant purškimo pistoleto, kol jo trys žali indikatoriai pradės mirksėti – tai reiškia, kad prasidėjo susiejimo procesas.

PASTABA. Siejimo procesą nurodantis mirksėjimas trunka maždaug 10 s. Norėdami bet kada nutraukti siejimo procesą, galite trumpai spustelėti pistoleto greičio mygtuką.

4. Plovimo įrenginio ir pistoleto greičio indikatorių trys žalios lemputės švies 3 s. Tai reiškia, kad siejimas pavyko sėkmingai. Po to švies dvi žalios lemputės.
5. Jei susieti nepavyko, išjungs ir išjungs trys žalios plovimo įrenginio ir pistoleto greičio indikatorių lemputės.

Nuotolinio valdymo pulto naudojimas

Baigę siejimą, vieną kartą paspauskite pistoleto greičio mygtuką. Pradės šviesti penkios įkrovos matuoklio ir greičio indikatorius LED lemputės. Dar kartą paspauskite greičio mygtuką, kad iš tikrųjų pakeistumėte greitį.

PASTABA.

- Penkios įkrovos matuoklio ir greičio indikatorius LED lemputės išsijungs, kai per 10 s nebus paspaustas pistoleto greičio mygtukas.
- Penkios įkrovos matuoklio LED lemputės rodo baterijos įkrovimo lygį. Jei sudėtinės baterijos įdėtos, rodomas labiau įkrautos sudėtinės baterijos įkrovos lygis.
- Ant pistoleto esantis greičio indikatorius visada sinchronizuojamas su slėginio plovimo įrenginio greičio indikatoriumi.

GREIČIO PARINKIMAS

- Slėginio plovimo įrenginio greitį galima reguliuoti greičio mygtuku, esančiu ant plovimo įrenginio arba ant susieto pistoleto.
- Slėginio plovimo įrenginio greitį galima reguliuoti įjungus plovimo įrenginį arba purškimo metu.
- Kiekvieną kartą paspaudus greičio mygtuką, greitis bus perjungiamas į aukštą, TURBO ir žemą lygį. Gali šviesti viena, dvi arba trys žalios greičio indikatorius lemputės. Jos rodo, kad slėginis plovimo įrenginys atitinkamai veikia mažų, didelių arba TURBO greičiu.

PASTABA: Kai įdėta tik viena sudėtinė baterija, negalima pasiekti TURBO greičio. Kaskart paspaudus greičio mygtuką, greitis bus perjungiamas į didelį arba mažą greitį.

PASTABA: Jei slėginis plovimo įrenginys nuolat veikia TURBO greičiu, gali sutrumpėti veikimo su viena įkrova trukmė.

PLOVIMAS NAUDOJANT PLOVIKLĮ

⚠ ĮSPĖJIMAS. Naudokite tik specialiai slėginiams plovimo įrenginiams skirtus ploviklius. Laikykitės ploviklio gamintojo naudojimo, šalinimo ir saugos instrukcijų.

1. Pasukite putų purkštuvu buteliuką prieš laikrodžio rodyklę ir jį nuimkite (L1 pav.).
2. Į buteliuką įpilkite ploviklio.

PASTABA. Ploviklio temperatūra neturi viršyti 60 °C.

3. Pakeiskite putų purkštuvą ir prijunkite jį prie pistoleto greitojo prijungimo movos.
4. Pasukite ploviklio rankenėlę, kad pagal poreikį sureguliuotumėte į vandens srautą tiekiamo ploviklio kiekį (L2 pav.).

TECHNINĖ PRIEŽIŪRA

⚠️ ĮSPĖJIMAS. Kad išvengtumėte sunkių traumų, prieš atlikdami techninę priežiūrą, valydami, keisdami priedus arba šalindami šiukšles iš įrenginio išimkite sudėtinę bateriją.

BENDROJI PRIEŽIŪRA

Plastikinių dalių nevalykite tirpikliais. Įvairūs komerciniai tirpikliai gali pažeisti įvairių tipų plastiką ir jų naudoti nerekomenduojama. Purvą, dulkes, alyvą, tepalą ir pan. nuvalykite švaria šluoste.

⚠️ ĮSPĖJIMAS. saugokite plastikinės dalis, kad ant jų nepatektų stabdžių skysčiai, benzinas, naftos produktai, skvarbi alyva ir pan. Cheminės medžiagos plastiką gali sugadinti, susilpninti arba suardyti. Dėl to galite sunkiai susižaloti.

⚠️ ĮSPĖJIMAS. Kad sumažintumėte gaisro, sužalojimo ir gaminio sugadinimo dėl trumpojo jungimo riziką, niekada nemerkite įrenginio, sudėtinės baterijos ar įkroviklio į skystį ir neleiskite skysčiui tekėti į jų vidų. Koroziniai arba laidūs skysčiai, pavyzdžiui, jūros vanduo, tam tikri pramoniniai chemikalai, balikliai arba jų turintys produktai ir pan., gali sukelti trumpąjį jungimą.

APVALIOS BATERIJOS KEITIMAS (M1&M2 pav.)

⚠️ ĮSPĖJIMAS. Laikykite vaikas neprieinamoje vietoje. Nurijus galima patirti cheminį nudegimą, minkštųjų audinių perforaciją ir mirtį. Sunkūs nudegimai gali atsirasti per 2 val. po prarijimo. Nedelsdami kreipkitės į gydytoją.

PASTABA. Niekada nestumkite baterijos tiesiai į skyrių (M3 pav.). Priešingu atveju sugadinsite du spausdus ir pistoleto nuotolinio valdymo pulką.

M3-1	Spausdukai
------	------------

PASTABA: Pakeitę apvalią bateriją, iš naujo susiekite pistoletą su slėginio plovimo įrenginiu vadovaudamiesi instrukcijomis, pateiktomis skyriuje „Trumpo slėginio pistoleto siejimas“.

FILTRŲ VALYMAS

- Atsukite ir nuimkite vandens įleidimo angos rankenėlę, tada iš vandens įleidimo angos išimkite metalinį tinklėlį, išplaukite metalinį tinklėlį arba, jei reikia, pakeiskite (N1 pav.).

N1-1	Metalinis tinklelis
------	---------------------

- Nuimkite filtrą nuo sifono žarnos, nusukite filtrą ir kruopščiai jį išplaukite (N2 pav.).

ANTGALIŲ PLOVIMAS (O pav.)

Užsikimšus antgalių skylutėms, galite naudoti teikiama antgalių valymo adatą, kad pradurtumėte skylutes ir pašalintumėte jas užkimšusius nešvarumus.

SLĖGINIO PLOVIMO ĮRENGINIO GABENIMAS (P pav.)

Paspauskite rankenos blokavimo mygtuką, tada ištraukite teleskopinę rankeną iki pirmojo ilgio lygio taip, kad išgirstumėte spragtelėjimą. Jei norite, galite paspausti rankenos blokavimo mygtuką, tada ištraukti teleskopinę rankeną iki antrojo ilgio lygio.

SLĖGINIO PLOVIMO ĮRENGINIO LAIKYMAS

- Sustabdykite slėginį plovimo įrenginį, sumažinkite slėgį, išleiskite vandenį ir išimkite sudėtinę bateriją iš slėginio plovimo įrenginio vadovaudamiesi skyriuje „Slėginio plovimo įrenginio sustabdymas“ pateiktais nurodymais.
- Antgalius laikykite slėginio plovimo įrenginio antgalių laikymo skyriuje (Q1 pav.).
- Suvyniokite aukšto slėgio žarną ir laikykite ją už teleskopinės rankenos (Q2 pav.).
- Laikykite surinktą pistoletą, vamzdelį su kiaurymėmis ir siaurą vamzdelį laikikliuose arba atjunkite pistoletą ir laikykite jį viršutiniame laikiklyje (Q3 pav.).
- Prieš padėdami slėginį plovimo įrenginį į laikymo vietą, kruopščiai jį išplaukite.
- Slėginį plovimo įrenginį laikykite sausoje, gerai vėdinamoje, rakinamoje patalpoje arba aukštai, vaikas neprieinamoje vietoje. Nelaikykite slėginio plovimo įrenginio ant arba prie trašų, benzino ar kitų cheminių medžiagų.

Aplinkos apsauga



Neišmeskite elektros įrangos, panaudotų baterijų ir įkroviklio kartu su buitinėmis atliekomis! Šias atliekas reikia pristatyti į jų surinkimo vietą ar įgaliotam perdirbėjui. Elektrinius įrankius reikia grąžinti į tokių atliekų perdirbimo įmonę.

TRIKDŽIŲ ŠALINIMAS

PROBLEMA	PRIEŽASTIS	SPRENDIMAS
Nepavyksta įjungti slėginio plovimo įrenginio.	<ul style="list-style-type: none"> ■ Maža sudėtinės baterijos įkrova. ■ Netinkamai įdėta sudėtinė baterija. 	<ul style="list-style-type: none"> ■ Įkraukite sudėtinę bateriją. ■ Stumkite sudėtinę bateriją į baterijos skyrių, kol ji spragtelės įstatyta į vietą.
Nepavyko įjungti TURBO greičio.	<ul style="list-style-type: none"> ■ Plovimo įrenginiui veikti naudojama tik viena sudėtinė baterija. 	<ul style="list-style-type: none"> ■ Naudokite dvi 5,0 Ah arba didesnės talpos sudėtinės baterijas.
Slėginio plovimo įrenginio siurblys nustoja veikti ir mirksi trys žalios plovimo įrenginio indikatoriaus lemputės.	<ul style="list-style-type: none"> ■ Perkaito slėginis plovimo įrenginys arba sudėtinė (-ės) baterija (-os). ■ Užsikimšęs antgalis. ■ Į sifono žarną neteka vanduo. ■ Maža sudėtinės baterijos įkrova. ■ Kiti elektroniniai gedimai. 	<ul style="list-style-type: none"> ■ Palaukite, kol slėginio plovimo įrenginio arba sudėtinės (-ių) baterijos (-ų) temperatūra vėl atitiks darbinę temperatūrą, ir iš naujo įjunkite plovimo įrenginį. ■ Naudokite antgalio valymo adatą, kad atkimštumėte skylutes. ■ Patikrinkite ir įsitikinkite, kad vanduo tinkamai teka į sifono žarną. ■ Įkraukite sudėtinę bateriją. ■ Kreipkitės į EGO klientų aptarnavimo tarnybą.
Purškimo metu vandens srautas yra mažas.	<ul style="list-style-type: none"> ■ Filtras iš dalies užsikimšęs. ■ Vandens įleidimo angos metalinis tinklelis yra iš dalies užkimštas. ■ Filtras ir sifono žarnos greitojo prijungimo movos jungtis ne iki galo panardinti į vandenį. ■ Sulenkta sifono žarna. ■ Vanduo yra nešvarus. ■ Užkimšta aukšto slėgio žarna. 	<ul style="list-style-type: none"> ■ Išvalykite filtrą. ■ Išimkite ir išvalykite metalinį tinklelį. ■ Visiškai panardinkite filtrą ir greitojo prijungimo movos jungtį į vandenį. ■ Atlenkite sifono žarną arba ją pakeiskite. ■ Naudokite tik švarų vandenį. ■ Nuimkite antgalį ir pradėkite purkšti vandenį iš žarnos, kad išvalytumėte užsikimšusią žarną.

LT

PROBLEMA	PRIEŽASTIS	SPRENDIMAS
Nepurškiamas vanduo.	<ul style="list-style-type: none"> ■ Vanduo netiekiamas. ■ Filtras visiškai užsikimšęs. ■ Vandens įleidimo angos metalinis tinklis yra visiškai užkimštas. ■ Užsikimšęs antgalis. ■ Siurblys, žarnos ar kiti komponentai yra užšalę. 	<ul style="list-style-type: none"> ■ Patikrinkite ir įsitikinkite, kad plovimo įrenginys tinkamai prijungtas prie vandens tiekimo šaltinio. ■ Išvalykite filtrą. ■ Išimkite ir išvalykite metalinį tinklį. ■ Naudokite antgalio valymo adatą, kad atkimštumėte skylutes. ■ Palaukite, kol jie atšils.
Vandens srautas nėra stabilus.	<ul style="list-style-type: none"> ■ Į plovimo įrenginį patenka oras. ■ Siurblio sandarikliai susidėvėję. 	<ul style="list-style-type: none"> ■ Patikrinkite ir įsitikinkite, kad sifono žarna prijungta tinkamai. ■ Kreipkitės į EGO klientų aptarnavimo tarnybą.
Vandens purškimas pradedamas arba nutraukiamas automatiškai.	<ul style="list-style-type: none"> ■ Pažeista aukšto slėgio žarna. ■ Iš pistoleto prateka vanduo. ■ Siurblio sandarikliai, žarnų sandarikliai susidėvėję. 	<ul style="list-style-type: none"> ■ Žarną pakeiskite nauja aukšto slėgio žarna. ■ Kreipkitės į EGO klientų aptarnavimo tarnybą. ■ Kreipkitės į EGO klientų aptarnavimo tarnybą.
Pistoletas negali valdyti plovimo įrenginio.	<ul style="list-style-type: none"> ■ Pistoletas yra už belaidžio ryšio veikimo ribų. ■ Apvalios baterijos įkrova yra maža. ■ Pistoletas netinkamai susietas. ■ Apvali baterija netinkamai įdėta. 	<ul style="list-style-type: none"> ■ Atneškite pistoletą arčiau slėginio plovimo įrenginio. ■ Bateriją pakeiskite nauja apvalia baterija. ■ Baikite sieti laikydamiesi skyriuje „Trumpo slėginio pistoleto siejimas“ teikiamų nurodymų. ■ Įdėkite apvalią bateriją vadovaudamiesi skyriuje „APVALIOS BATERIJOS KEITIMAS“ teikiamais nurodymais.

LT

GARANTIJA

EGO GARANTIJOS TAISYKLĖS

Norėdami sužinoti visas EGO garantijos sąlygas ir nuostatas, apsilankykite interneto svetainėje adresu egopowerplus.eu.

IZLASIET VISAS INSTRUKCIJAS!



IZLASIET EKSPLOATĀCIJAS ROKASGRĀMATU

⚠ BRĪDINĀJUMS! Lai garantētu drošu un uzticamu instrumenta darbību, visi remontdarbi jāveic kvalificētam servisa speciālistam.

DROŠĪBAS APZĪMĒJUMS

Drošības apzīmējumi ir paredzēti, lai pievērstu jūsu uzmanību iespējamiem apdraudējumiem. Pievērsiet uzmanību drošības apzīmējumiem un to skaidrojumiem, un izprotiet tos. Brīdinājumu apzīmējumi paši par sevi nenovērš apdraudējumu. Tajos ietvertie norādījumi un brīdinājumi neaizstāj atbilstošu negadījumu novēršanas pasākumu īstenošanu.

⚠ BRĪDINĀJUMS! Pirms šīs iekārtas lietošanas izlasiet un izprotiet visus šajā lietotāja rokasgrāmatā iekļautos drošības norādījumus, tostarp visus drošības brīdinājuma apzīmējumus, piemēram, „**BĪSTAMI!**”, „**BRĪDINĀJUMS!**” un „**UZMANĪBU!**”. Visu turpmāk uzskaitīto norādījumu neievērošana var izraisīt elektriskās strāvas triecienu, aizdegšanos un/vai smagus miesas bojājumus.

⚠ BRĪDINĀJUMS! Ugunsbīstamības un apdedzināšanās risks. Neizjauciet, nededziniet vai nekarsējiet temperatūrā virs 100 °C. Uzglabājiet akumulatoru oriģinālajā iepakojumā bērniem neaizsniedzamā vietā, līdz brīdim, kad to ir paredzēts izmantot. Lietotus akumulatorus nekavējoties utilizējiet saskaņā ar vietējiem noteikumiem par atkritumiem vai otrreizējo pārstrādi.

DROŠĪBAS INSTRUKCIJA

Šajā lapaspusē ir parādīti un aprakstīti drošības apzīmējumi, kas var būt norādīti uz šī izstrādājuma. Pirms instrumenta salikšanas un lietošanas izlasiet, izprotiet un ievērojiet visus norādījumus par instrumentu.



Drošības brīdinājums



Lai mazinātu traumu gūšanas bīstamību, lietotājam jāizlasa lietotāja rokasgrāmata.

LV



Nekad nesmidziniet uz sevi, citiem, dzīvniekiem, barošanas avotiem vai pašu ierīci.



Šis izstrādājums atbilst piemērojamām EK direktīvām.



Nepievienojiet dzeramā ūdens padeves tīklam.



Apvienotās Karalistes atbilstības novērtējums



Elektrisko izstrādājumu atkritumus nedrīkst izmest kopā ar sadzīves atkritumiem. Nogādāt uz pilnvarotu pārstrādes punktu.



Ūdens spiediens



Ūdens plūsma



Darbības temperatūra



Līdzstrāva

kg

Kilograms

V Spriegums

MPa Megapaskāls

°C Celsijs

L/min Litri minūtē

IPX5 Aizsardzība pret ūdens strūkļām

⚠ BRĪDINĀJUMS! Pirms iekārtas lietošanas izlasiet un izprotiet visus norādījumus. Visu turpmāk uzskaitīto instrukciju neievērošana var izraisīt elektriskās strāvas triecienu, ugunsgrēku un/vai smagas traumas.

⚠ BRĪDINĀJUMS! Augstspiediena mazgāšanas līdzekļu lietošanas laikā var veidoties aerosoli. Aerosolu ieelpošana var būt bīstama veselībai.

⚠ BRĪDINĀJUMS! Augstspiediena strūkļas var būt bīstamas, ja tās netiek lietotas pareizi. Strūkļu nedrīkst vērst pret cilvēkiem, elektroiekārtām zem sprieguma vai pašu iekārtu.

⚠ BRĪDINĀJUMS! Nelietojiet iekārtu citu cilvēku tuvumā, ja vien tiem nav uzvilkti aizsargapģērbs.

⚠ BRĪDINĀJUMS! Nevērsiet strūkļu pret sevi vai citiem, lai notīrītu drēbes vai apavus.

⚠ BRĪDINĀJUMS! Sprādziena risks — Neizsmidziniet uzliesmojošus šķidrumus.

⚠ BRĪDINĀJUMS! Augstspiediena mazgāšanas līdzekļus nedrīkst lietot bērni vai neapmācītas personas.

⚠ BRĪDINĀJUMS! Augstspiediena šļūtenes, stiprinājumi un savienojumi ir svarīgi elementi iekārtas drošībai.

⚠ BRĪDINĀJUMS! Ūdens, kas plūst caur pretplūsmas bloķētājiem, ir uzskatāms par nedzeramo ūdeni.

⚠ BRĪDINĀJUMS! Nelietojiet iekārtu, ja ir bojātas tās svarīgās daļas, piemēram, drošības ierīces, augstspiediena šļūtenes, tsi nospiežamā pistole.

⚠ BRĪDINĀJUMS! Atkarībā no pielietojuma veida, aizsarguzgaļus var izmantot tīrīšanai ar augstspiedienu, kas ievērojami samazina ūdens aerosolu emisiju. Tomēr ne visos pielietojuma veidos var izmantot šādu ierīci. Ja aizsarguzgaļi nevar izmantot aizsardzībai pret aerosolu ieelpošanu, atkarībā no tīrīšanas vides var būt nepieciešams valkāt FFP 2 vai līdzvērtīgas klases elpošanas masku.

- Šī iekārta nav paredzēta lietošanai bērniem un personām ar ierobežotām fiziskām, maņu vai garīgām spējām, kā arī bez pieredzes un zināšanām, kā rīkoties ar to. Jāuzrauga, lai bērni nerotaļātos ar šo iekārtu.
- Noskaidrojiet, kā apturēt iekārtu un ātri izlaist spiedienu. Iepazīstieties ar iekārtas vadības elementiem un pareizu lietošanu.
- Novērsiet nejaūšas ieslēgšanās iespējāmību. Pirms pievienojat ierīci akumulatora blokam, to paceļat vai pārnesat uz citu vietu, pārliecinieties, vai slēdzis atrodas izslēgtā stāvoklī. Pārnēsājot iekārtu ar pirkstu uz slēdža vai iedarbinot iekārtu, kas jau ir ieslēgtā stāvoklī, var notikt nelaimes gadījums.
- Darbinot pistoli, vienmēr jāapzinās reakcijas spēka un pēkšņa griezes momenta bīstamība smidzināšanas korpusā.
- Nepakļaujiet iekārtu vai akumulatoru pārāk augstai vai zemai temperatūrai.
- Apzinieties risku, ka ar akumulatoru darbināmās ierīcēs vai akumulatora spailēs var rasties īssavienojums metāla priekšmetu dēļ.
- Uzlādējamus akumulatorus pirms uzlādēšanas ir jāizņem no iekārtas.
- Nedrīkst jaukt dažādu veidu akumulatorus vai jaunus akumulatorus ar lietotiem akumulatoriem.
- Izlietotus akumulatorus ir jāizņem no iekārtas un jāiznīcina drošā veidā
- Ja iekārtu ilgstoši neizmantošit, izņemiet no tās akumulatorus.
- Neizmantojiet neuzlādējamus akumulatorus uzlādējamu akumulatoru vietā.
- Nelietojiet pārveidotus vai bojātus akumulatorus.
- **Izmantojiet tikai ar norādītajiem akumulatoru blokiem un lādētājiem.**

Saglabājiet šo norādījumus. Izlasiet un izmantojiet šo instrukciju, lai sniegtu norādījumus citiem, kas izmanto šo iekārtu. Ja jūs šo mašīnu aizdodat kādai citai personai, aizdodiet arī šo rokasgrāmatu, lai nepieļautu, ka produkts tiek lietots nepareizi, kā arī lai izvairītos no iespējamām traumām.

LV

SPECIFIKĀCIJAS

Spriegums	56 V
Maksimālais nominālais spiediens	135 bāri
Maksimālā nominālā plūsma (ar ātri savienojamo cauruli un nerūsējošā tērauda cauruli)	6,5 l/min.
Maksimālā nominālā plūsma (ar pievienotu tikai īsi nospiežamo pistoli)	9,5 l/min.
Ierobežotais maksimālais pistoles spiediens	250 bāri
Ierobežota maksimālā pistoles plūsma	30 l/min.
Svars (bez akumulatoru bloka)	16,8 kg
Ieteicamā darba temperatūra	5 °C līdz 40 °C
Ieteicamā uzglabāšanas temperatūra	-20 °C līdz 70 °C
Izmērītais skaņas jaudas līmenis L_{WA}	84 dB(A) K=1,8 dB(A)
Trokšņa spiediena līmenis pie lietotāja auss L_{PA}	72 dB(A) K=3 dB(A)
Garantētais skaņas intensitātes līmenis L_{WA} (mērīts saskaņā ar 2000/14/EK)	86 dB(A)
Vibrācijas a_h	3,6 m/s ² K=0,9 m/s ²

LV

- Norādītā vibrāciju kopējā vērtība ir izmērīta saskaņā ar standarta pārbaudes metodi un var tikt izmantota, lai salīdzinātu vairākus instrumentus.
- Deklarēto vibrāciju emisijas vērtību var arī lietot iepriekšējai vibrāciju iedarbības novērtēšanai.

PIEZĪME! Vibrāciju emisijas faktiskajā elektroinstrumenta darbināšanas laikā var atšķirties no norādītās vērtības. Lai pasargātu operatoru, lietotājam jāvalkā cimdi un dzirdes aizsarglīdzekļi atbilstoši faktiskajiem darba apstākļiem.

IETEICAMIE PIEDERUMI

▲ BRĪDINĀJUMS! Izmantojiet tikai turpmāk norādītos piederumus. Oriģinālā aprīkojuma specifikācijām neatbilstošu daļu izmantošana var radīt nepareizu mašīnas darbību un apdraudēt jūsu drošību.

DAĻAS NOSAUKUMS	MODEĻA NUMURS
Premium putu pistole	AFC2000E
Turbo sprausla	ANZ2000E-T
15° sprausla	ANZ2015E
25° sprausla	ANZ2025E
40° sprausla	ANZ2040E
Skalošanas sprausla	ANZ2000E-R

Iepakošanas saturas saraksts (A1 attēls)

Apraksts

Pārziniet savu augstspiediena mazgāšanas iekārtu (A1 attēls)

1. Teleskopiskais rokturis
2. Roktura fiksācijas poga
3. Augšējā turētāja kronšteins
4. Ritenis (x2)
5. Apakšējā turētāja kronšteins
6. Ūdens iepļūdes atvere
7. Ūdens izpļūdes atvere
8. Ātruma poga
9. Ātruma indikators
10. Barošanas poga
11. Akumulatoru bloka nodalījums
12. Uzgaļu uzglabāšanas vieta
13. Akumulatoru bloka nodalījuma vāciņš
14. Elektriskie kontakti
15. Izsviešanas mehānisms
16. Akumulatora atbrīvošanas poga
17. Šūtenes turētāja siksna
18. Nerūsējošā tērauda caurule
19. Ātrā savienojuma caurule
20. Augstspiediena šūtene
21. Sifona šūtene
22. Ātrā savienotāja komplekts (x2)
23. Putu pistole
24. Filtrs
25. Uzgaļu tīrīšanas adata
26. Skalošanas uzgalis
27. 40° grozāms uzgalis

28. 25° grozāms uzgalis
29. 15° grozāms uzgalis
30. TURBO uzgalis
31. Īsi nospiežamā pistole
32. Akumulatoru nodalījuma vāciņš
33. 5 LED degvielas indikators
34. Ātruma indikators
35. Ātruma poga
36. Pistoles rokturis
37. Mēlīte
38. Bloķēšanas poga

MONTĀŽA

TURĒTĀJA KRONŠTEINA UZSTĀDĪŠANA (B attēls)

B-1	Augšējā turētāja kronšteins	B-2	Apakšējā turētāja kronšteins
B-3	Skrūves		

AUGSTSPIEDIENA ŠĻŪTENES SAVIENOŠANA (C — D attēls)

Augstspiediena šļūteni var savienot vienā no šādiem veidiem:

- Savienojiet augstspiediena šļūteni ar ūdens izplūdes atveri un tieši ar pistoli, izmantojot vītņotos savienotājus (C1 — C2 attēls);
- Savienojiet augstspiediena šļūteni ar ūdens izplūdes atveri un pistoli, izmantojot divus ātrā savienotāja komplektus, lai atvieglotu uzstādīšanu/noņemšanu (D1 — D2 attēls).

PIEZĪME! Ātrā savienotāja komplekti jau ir uzstādīti pie ūdens izplūdes atveres, augstspiediena šļūtenes un pistoles rūpnīcā.

ABU CAURUĻU SAVIENOŠANA (E1 — E2 attēls)

Lai atvienotu, atskrūvējiet vienu cauruli no otras un pēc tam izvelciet uz āru; atskrūvējiet grozāmpogu uz ātri savienojamās caurules un pēc tam pavelciet atpakaļ pistoles ātrā savienotāja ārējo gredzenu, lai izvilktu cauruli.

▲ BRĪDINĀJUMS! Atvienojot cauruli no pistoles, vienmēr satveriet pistoli ar vienu roku, bet cauruli ar otru. Caurulei nokrītot zemē, varat gūt miesas bojājumus.

UZGAĻA SAVIENOŠANA (F1 / F2 attēls)

PIEZĪME! Uzgaļus nevar savienot ar cauruli.

- Izvēlieties 15° grozāmu uzgali, 25° grozāmu uzgali, 40° grozāmu uzgali vai turbo uzgali, ko uzstādīt uz caurules (F1 attēls).

F1-1	15° grozāms uzgalis	F1-2	25° grozāms uzgalis
F1-3	40° grozāms uzgalis	F1-4	TURBO uzgalis

- Skalošanas uzgalis ir tieši savienots ar pistoli (F2 attēls).

F2-1	Skalošanas uzgalis
------	--------------------

▲ BRĪDINĀJUMS! Atvienojot uzgali no pistoles, vienmēr satveriet pistoli ar vienu roku, bet uzgali ar otru. Ja uzgalis nokrīt no caurules, varat gūt miesas bojājumus.

Apskatiet tālāk norādīto tabulu, lai izvēlētos darbam piemērotu uzgali.

Uzgaļa izvēle	Pielietojums
Dzeltens 15° grozāms uzgalis	Nelielu metāla, betona vai kokmateriāla virsmu tīrīšanai.
Zaļš 25° grozāms uzgalis	Lielāku metāla, betona vai kokmateriāla virsmu tīrīšanai.
Balts 40° grozāms uzgalis	Lielu metāla, betona, kokmateriāla vai vinila virsmu tīrīšanai.
Pelēks skalošanas uzgalis	Transportlīdzekļu skalošanai. Mazgāšanas līdzekļa noskalošanai no metāla, betona, kokmateriāla vai vinila virsmām.
Turbo uzgalis	Tikai cietu virsmu tīrīšanai. Lai novērstu virsmas bojājumus, nelietojiet uz automašīnām un kokmateriāla virsmām.

PUTU PISTOLES SAVIENOŠANA (G attēls)

Putu pistole ir tieši savienota ar galveno pistoli.

Lai atvienotu, pavelciet atpakaļ ātrā savienotāja ārējo gredzenu un pēc tam izvelciet putu pistoli.

SIFONA ŠĻŪTENES SAVIENOŠANA (H1 — H2 attēls)

Izmantojot ūdens spaini (nav iekļauts komplektā) kā ūdens avotu, savienojiet augstspiediena mazgāšanas iekārtu ar sifona šļūteni.

PIEZĪME! Uzpildiet spaini līdz līmenim, kādā iegremdētais filtrs nevar uzpeldēt virs ūdens virsmas.

SAVIENOŠANA AR DĀRZA ŠĻŪTENI (NAV IEKĻAUTA KOMPLEKTĀ)

Izmantojot ūdens krānu (nav iekļauts komplektā) kā ūdens avotu, savienojiet augstspiediena mazgāšanas iekārtu ar dārza šļūteni (nav iekļauta komplektā).

EKSPLUATĀCIJA

PIELIETOJUMS

Šo izstrādājumu var lietot tālāk norādītajiem mērķiem:

- Netīrumu notīrīšana no automašīnām, sienām, grīdām utt.

AKUMULATORU BLOKA IEVIETOŠANA/ IZŅEMŠANA

Izmantojiet kopā tikai ar A2 attēlā norādītajiem EGO akumulatoru blokiem un lādētājiem.

Sīkāku informāciju izlasiet attiecīgā akumulatoru bloka un lādētāja rokasgrāmatā.

Pirms pirmās lietošanas reizes akumulators ir pilnībā jāuzlādē.

PIEZĪME! Izmantojot vienu akumulatoru bloku, nebūs pieejams **TURBO ātrums**. Lai nodrošinātu vislabāko veiktspēju, iesakām izmantot abus 5,0Ah vai lielākas Ah akumulatoru blokus.

1. Paceliet akumulatoru nodalījuma vāciņu aiz vāciņa priekšpusēs.
2. **Lai ievietotu**, novietojiet akumulatora valnišus iepretim ievietošanas rievām un piespiediet akumulatoru bloku, līdz dzirdat „klikšķa” skaņu. Ievietojiet otru akumulatoru bloku (I1 attēls).
3. **Lai izņemtu**, piespiediet akumulatora atbrīvošanas pogu un izņemiet akumulatoru bloku (I2 attēls).

I2-1	Akumulatora atbrīvošanas poga
------	-------------------------------

LV

4. Aizveriet akumulatora nodalījuma vāku.

AUGSTSPIEDIENA MAZGĀŠANAS IEKĀRTAS IEDARBINĀŠANA/APTURĒŠANA (J attēls)

Augstspiediena mazgāšanas iekārtas ieslēgšana

PIEZĪME! Neiedarbiniet augstspiediena mazgāšanas iekārtu, ja tai nav pieslēgta ūdens padeve un tā nav ieslēgta. Pretējā gadījumā varat sabojāt augstspiediena blīves un saīsināt sūkņa kalpošanas laiku.

1. Pārliecinieties, vai sifona šūtene, augstspiediena šūtene, pistole un uzgālis ir pareizi savienoti.
2. Savienojiet ar abām caurulēm, putu pistoli vai filtru atbilstoši vajadzībām.

3. Izvēlieties vienu no zemāk norādītajiem ūdens padeves veidiem:
 - Ar dārza šūteni (nav iekļauta komplektā); savienojiet augstspiediena mazgāšanas iekārtu ar dārza šūteni un pēc tam atgrieziet ūdens krānu.
 - Ar ūdens spaini; savienojiet filtru ar sifona šūteni un pēc tam iegremdējiet filtru un ātro savienotāju spainī pilnībā zem ūdens virsmas.
4. Ievietojiet akumulatoru bloku(-s).
5. Nospiediet barošanas pogu, lai ieslēgtu augstspiediena mazgāšanas iekārtu. Vienmēr pēc iedarbināšanas iekārta darbosies lielā ātrumā.

PIEZĪME! Ja augstspiediena mazgāšanas iekārta tiks ieslēgta, bet ar to netiks veikta neviena darbība, tā automātiski izslēgsies pēc 5 minūšu gaidīšanas režīma. Pirmajās minūtēs augstspiediena mazgāšanas iekārtas ātruma indikatorā mirgo trīs zaļās gaismas, kas norāda, ka sifona šūtenē nepieplūst ūdens.

6. Satveriet pistoli ar abām rokām, nospiediet bloķēšanas pogas atbloķēšanas daļu un pēc tam nospiediet mēlīti, līdz sāk tecēt vienmērīga ūdens plūsma.

PIEZĪME! Ja iekārta ir savienota ar cauruli, satveriet pistoli ar vienu roku un cauruli ar otru roku.

7. Sāciet mazgāšanu ar izsmidzināšanu.

PIEZĪME! Var paiet zināms laiks, kamēr ūdens sāks tecēt no avota un izplūst no uzgāja aerosola veidā. Lai ātrāk panāktu vienmērīgu ūdens plūsmu, jūs varat:

- a. Noņemt uzgāli;
- b. Nospiegt mēlīti un pagaidīt, kamēr no caurules sāk izplūst vienmērīga ūdens plūsma;
- c. Atlaist mēlīti un uzlikt atpakaļ uzgāli.

Augstspiediena mazgāšanas iekārtas apturēšana

1. Kad mazgāšana ir pabeigta, atlaidiet mēlīti un nospiediet bloķēšanas pogu, lai nobloķētu attiecīgajā pozīcijā.
2. Nospiediet barošanas pogu, lai izslēgtu augstspiediena mazgāšanas iekārtu.
3. Aizgrieziet ūdens krānu vai izņemiet sifona šūteni no ūdens spaiņa.
4. Nospiediet pistoles bloķēšanas pogu atbloķēšanas pozīcijā un nospiediet mēlīti, lai iztukšotu ūdeni no šūtenēm.

PIEZĪME! Pistoli, šūtenes, caurules, uzgāļus vai putu pistoli nedrīkst atvienot tik ilgi, kamēr šūtenēs ir ūdens.

5. Atvienojiet un noņemiet pistoli, šļūtenes, caurules, uzgaļus vai putu pistoli.
6. Nospiediet barošanas pogu, lai ieslēgtu augstspiediena mazgāšanas iekārtu, lai izlietu ūdeni no augstspiediena mazgāšanas iekārtas.
7. Nospiediet barošanas pogu vēlreiz, lai izslēgtu augstspiediena mazgāšanas iekārtu.
8. Izņemiet akumulatoru bloku(-s).

TĀLVADĪBAS PULTS

Pistoli var savienot pāri ar augstspiediena mazgāšanas iekārtu, lai tā darbotos kā tālvadības pulsts.

Īsi nospiežamās pistoles savienošana pāri (K attēls)

1. Ievietojiet akumulatoru bloku(-s) un iedarbiniet augstspiediena mazgāšanas iekārtu.
2. Nospiediet augstspiediena mazgāšanas iekārtas ātruma pogu, līdz tai sāk mirgot trīs zaļās gaismas.

PIEZĪME! Mirgošana ilgst aptuveni 20 sekundes, tāpēc pistoli var savienot pāri tikai šajā laikā. Lai jebkurā laikā izietu no savienošanas pāri režīma, varat īslaicīgi nospiegt mazgāšanas iekārtas ātruma pogu.

3. Turiet nospiegtu pistoles ātruma pārslēgšanas pogu, līdz sāk mirgot trīs zaļās gaismas, kas nozīmē, ka ir sācies savienošanas pāri process.

PIEZĪME! Mirgojošas gaismas norāda, ka savienošanas pāri process ilgs aptuveni 10 sekundes. Lai izietu no savienošanas pāri procesa jebkurā laikā, varat īslaicīgi nospiegt uz pistoles ātruma pogu.

4. Ātruma indikatori uz mazgāšanas iekārtas pistoles 3 sekundes parādīs trīs zaļās gaismas, lai norādītu, ka savienošana pāri bija veiksmīga, pēc tam degs tikai divas zaļās gaismas.
5. Ja savienošana pāri nebūs izdevusies, uz mazgāšanas iekārtas un pistoles iemirgosies trīs zaļās ātruma indikatoru gaismas un pēc tam nodzīsīs.

Tālvadības pulsts lietošana

Kad savienošana pāri būs pabeigta, nospiediet ātruma pogu vienreiz uz pistoles, un iedegsies 5 LED degvielas mērītājs un ātruma indikators. Nospiediet ātruma pogu vēlreiz, lai izmainītu faktisko ātrumu.

PIEZĪME!

- 5 LED degvielas mērītājs un ātruma indikators nodzīsīs, ja 10 sekunžu laikā ar pistoles ātruma pogu netiks veikta neviena darbība.

- 5 LED degvielas mērītājs norāda akumulatora uzlādes līmeni. Ja būs ievietoti abi akumulatoru bloki, tas norādīs lielāku akumulatoru bloku uzlādes līmeni.
- Pistoles ātruma indikators vienmēr tiek sinhronizēts ar augstspiediena mazgāšanas iekārtas ātruma indikatoru.

ĀTRUMA IZVĒLE

- Augstspiediena mazgāšanas iekārtas ātrumu var noregulēt ar ātruma pogu, kas atrodas uz mazgāšanas iekārtas, vai pistoli, ar kuru tika izveidots savienojums pāri.
- Augstspiediena mazgāšanas iekārtas ātrumu var noregulēt, kad iekārta ir ieslēgta, vai arī izsmidzināšanas laikā.
- Katru reizi, kad tiek nospiesta ātruma poga, ātrums pāries uz augstāku līmeni, TURBO līmeni vai zemāku līmeni. Ātruma indikatorā degs viena zaļā gaisma, divas zaļās gaismas vai trīs zaļās gaismas, lai norādītu, ka augstspiediena mazgāšanas iekārta darbojas attiecīgi ar mazu ātrumu, lielu ātrumu vai TURBO ātrumu.

PIEZĪME: Ja tiek ievietots tikai viens akumulators, TURBO ātrumu nevar sasniegt, un katru reizi, kad tiek nospiesta ātruma poga, ātrums pārslēgsies starp augstu un zemu līmeni.

PIEZĪME: Ja augstspiediena mazgāšanas iekārta turpina darboties ar TURBO ātrumu, var saīsināties darbības ilgums, kāds bija paredzēts pēc vienas uzlādes reizes.

TĪRĪŠANA AR MAZGĀŠANAS LĪDZEKLI

⚠ BRĪDINĀJUMS! Izmantojiet tikai mazgāšanas līdzekļus, kas īpaši paredzēti lietošanai ar augstspiediena mazgāšanas iekārtām. Ievērojiet mazgāšanas līdzekļa ražotāja lietošanas, iznīcināšanas un drošības norādījumus.

1. Pagrieziet putu pistoles pudeli pretēji pulksteņrādītāja virzienam un noņemiet to (L1 attēls).
2. Ielejiet mazgāšanas līdzekli pudelē.

PIEZĪME! Mazgāšanas līdzekļa temperatūra nedrīkst pārsniegt 60 °C.

3. Uzlieciet atpakaļ putu pistoli un pievienojiet galvenās pistoles ātrajam savienotājam.
4. Pagrieziet mazgāšanas līdzekļa pogu, lai pielāgotu ūdens plūsmu pievienotā mazgāšanas līdzekļa daudzumu atbilstoši vajadzībām (L2 attēls).

APKOPE

⚠ BRĪDINĀJUMS! Lai izvairītos no miesas bojājumiem, pirms iekārtas apkopes vai tīrīšanas darbu veikšanas, papildierīču nomaīņas vai ūdens izliešanas no tās, izņemiet no iekārtas akumulatoru bloku.

VISPĀRĒJĀ APKOPE

Plastmasas detaļu tīrīšanai neizmantojiet šķīdinātājus. Vairums plastmasu ir uzņēmīgas pret dažāda veida komerciālu šķīdinātāju radītiem bojājumiem un, tos izmantojot, var tikt sabojātas. Lai notīrītu netīrumus, putekļus, eļļu, smērvielas u.c., izmantojiet tīras lupatīņas.

⚠ BRĪDINĀJUMS! Plastmasas daļas nekādā gadījumā nedrīkst saskarties ar bremžu šķidrumu, degvielu, naftas produktiem, iesūcošos eļļu un tamlīdzīgi. Ķīmiskās vielas var radīt bojājumus, kā arī mazināt plastmasas daļas izturību vai iznīcināt tās, radot smagus miesas bojājumus.

⚠ BRĪDINĀJUMS! Lai samazinātu īssavienojuma rašanās risku, kas izraisa ugunsgrēka, miesas bojājumu un iekārtas bojājumu draudus, nekad neiegremdējiet iekārtu, akumulatoru bloku vai lādētāju šķīdumā un neļaujiet šķīdramam tajos iekļūt. Īssavienojumu var izraisīt korozīvi vai vadītspējīgi šķīdumi, piemēram, jūras ūdens, noteiktas rūpnieciskās ķīmikālijas un balinātāji vai balinātājus saturoši produkti utt.

MONĒTAS TIPA ŠŪNU AKUMULATORA NOMAIŅA (M1&M2 attēls)

⚠ BRĪDINĀJUMS! Uzglabājiet bērniem nepieejamā vietā. Norīšana var izraisīt ķīmiskus apdegumus, mīksto audu perforāciju un nāvi. Smagi apdegumi var rasties 2 h laikā pēc norīšanas. Nekavējoties meklējiet medicīnisko palīdzību.

PAZIŅOJUMS! Nekad nespiediet akumulatoru nodalījumā ar spēku (M3 attēls). Pretējā gadījumā abas skavas tiks bojātas, izraisot pistoles tālvadības darbības kļūmi.

M3-1	Skavas
------	--------

PIEZĪME! Vēlreiz savienojiet pistoli ar augstspiediena mazgāšanas iekārtu pēc monētas tipa šūnu akumulatora atkārtotas ievietošanas atbilstoši norādījumiem sadaļā "Īsi nospiežamās pistoles savienošana".

FILTRU TĪRĪŠANA

- Atskrūvējiet un noņemiet grozāmpogu no ūdens ieplūdes atveres, un pēc tam izņemiet metāla sietiņu no ūdens ieplūdes atveres, izskalojiet metāla sietiņu vai vajadzības gadījumā nomainiet (N1 attēls).

N1-1	Metāla sietiņš
------	----------------

- Noņemiet filtru no sifona šļūtenes, izskrūvējiet filtru un pēc tam rūpīgi izskalojiet (N2 attēls).

UZGAĻU TĪRĪŠANA (O attēls)

Kad uzgaļu caurumiņi aizsērē, varat izmantot komplektācijā iekļauto uzgaļu tīrīšanas adatu, lai izdurtu cauri caurumiņiem un iztīrītu aizsprostojumu.

AUGSTSPIEDIENA MAZGĀŠANAS IEKĀRTAS TRANSPORTĒŠANA (P attēls)

Nospiediet roktura bloķēšanas pogu un pēc tam izvelciet teleskopisko rokturi līdz pirmajam pagarinājuma līmenim, līdz dzirdat „klikšķa” skaņu. Ja vēlaties, varat nospiegt roktura bloķēšanas pogu un pēc tam izvilkat teleskopisko rokturi uz otrā pagarinājuma līmeni.

AUGSTSPIEDIENA MAZGĀŠANAS IEKĀRTAS UZGLABĀŠANA

1. Apturiet augstspiediena mazgāšanas iekārtu, izlaižiet spiedienu un ūdeni un izņemiet akumulatoru bloku no augstspiediena mazgāšanas iekārtas, ievērojot sadaļā „Augstspiediena mazgāšanas iekārtas apturēšana” sniegtos norādījumus.
2. Uzglabājiet uzgaļus augstspiediena mazgāšanas iekārtas uzgaļu uzglabāšanas vietā (Q1 attēls).
3. Novietojiet augstspiediena šļūteni un uzglabājiet to aiz teleskopiskā roktura (Q2 attēls).
4. Glabājiet pistoli un abas caurules uz turētāja kronšteina vai atvienojiet pistoli un uzglabājiet to uz augšējā turētāja kronšteina (Q3 attēls).
5. Pirms novietošanas uzglabāšanā rūpīgi notīriet augstspiediena mazgāšanas iekārtu.
6. Uzglabājiet augstspiediena mazgāšanas iekārtu sausā, labi vēdināmā, aizslēdzamā vai augstā — bērniem nepieejamā — vietā. Neuzglabājiet augstspiediena mazgāšanas iekārtu blakus mēslojumam, benzīnam vai citām ķimikālijām.

Apkārtējās vides aizsardzība



Neutilizējiet elektrisko aprīkojumu, izlietoto akumulatoru un lādētāju sadzīves atkritumos! Nogādājiet šo produktu uz pilnvarotu pārstrādes punktu un sagatavojiet atkritumu šķirošanai. Elektriskos instrumentus jānogādā veidei nekaitīgā pārstrādes rūpnīcā.

PROBLĒMU MEKLĒŠANA UN NOVĒRŠANA

PROBLĒMA	CĒLONIS	RISINĀJUMS
Augstspiediena mazgāšanas iekārtu nevar ieslēgt.	<ul style="list-style-type: none"> ■ Zems akumulatoru bloka uzlādes līmenis. ■ Akumulatoru bloks nav pareizi ievietots. 	<ul style="list-style-type: none"> ■ Uzlādējiet akumulatoru bloku. ■ Ievietojiet akumulatoru bloku akumulatora nodalījumā, to piespiežot, līdz tas nofiksējas.
Nevar aktivizēt TURBO ātrumu.	<ul style="list-style-type: none"> ■ Augstspiediena mazgāšanas iekārtas darbībai tiek izmantots tikai viens akumulators. 	<ul style="list-style-type: none"> ■ Izmantojiet abus 5,0Ah vai lielākas Ah akumulatoru blokus.
Augstspiediena mazgāšanas iekārtas sūknis pārstāj darboties, un ātruma indikatorā uz iekārtas mirgo trīs zaļās gaismas.	<ul style="list-style-type: none"> ■ Pārkarsusi augstspiediena mazgāšanas iekārta vai akumulatoru bloks(-i). ■ Aizsērējis uzgalis. ■ Sifona šļūtenē neieplūst ūdens. ■ Zems akumulatoru bloka uzlādes līmenis. ■ Cita veida elektronikas kļūda(-as). 	<ul style="list-style-type: none"> ■ Uzgaidiet, līdz augstspiediena mazgāšanas iekārta vai akumulators (-i) atgriežas darba temperatūrā, un pēc tam vēlreiz ieslēdziet augstspiediena mazgāšanas iekārta. ■ Izmantojiet uzgaļu tīrīšanas adatu, lai izdurtu cauri caurumiņiem. ■ Pārbaudiet, vai sifona šļūtenē ūdens ieplūst pareizi. ■ Uzlādējiet akumulatoru bloku. ■ Sazinieties ar EGO klientu apkalpošanas daļu.
Izsmidzināšanas laikā zema ūdens plūsma.	<ul style="list-style-type: none"> ■ Filtrs ir daļēji aizsērējis. ■ Metāla sietiņš ūdens ieplūdes atverē ir daļēji aizsērējis. ■ Sifona šļūtenes filtrs un ātrais savienotājs nav pilnībā iegremdēts ūdenī. ■ Sifona šļūtene ir satinusies. ■ Ūdens ir netīrs. ■ Augstspiediena šļūtene ir aizsērējusi. 	<ul style="list-style-type: none"> ■ Iztīriet filtru. ■ Noņemiet un notīriet metāla sietiņu. ■ Iegremdējiet filtru un ātro savienotāju ūdenī pilnībā. ■ Attīniet sifona šļūteni vai nomainiet to. ■ Izmantojiet tikai tīru ūdeni. ■ Noņemiet uzgali un pēc tam sāciet izsmidzināt ūdeni no šļūtenes, lai iztīrītu no šļūtenes aizsprostojumu.

PROBLĒMA	CĒLONIS	RISINĀJUMS
Ūdens netiek izsmidzināts.	<ul style="list-style-type: none"> ■ Nav ūdens padeves. ■ Filtrs ir pilnībā aizsērējis. ■ Metāla sietīņš ūdens ieplūdes atverē ir pilnībā aizsērējis. ■ Aizsērējis uzgalis. ■ Sūkņis, šļūtenes vai kāda cita daļa ir aizsalusi. 	<ul style="list-style-type: none"> ■ Pārbaudiet, vai augstspiediena mazgāšanas iekārta ir pareizi savienota ar ūdens padevi. ■ Izīriet filtru. ■ Noņemiet un notīriet metāla sietīgu. ■ Izmantojiet uzgaļu tīrīšanas adatu, lai izdurtu cauri caurumiņiem. ■ Pagaidiet, kamēr tie atkūst.
Ūdens plūsma nav stabila.	<ul style="list-style-type: none"> ■ Augstspiediena mazgāšanas iekārtā ieplūst gaiss. ■ Sūkņa blīves ir nodilušas. 	<ul style="list-style-type: none"> ■ Pārbaudiet, vai sifona šļūtene ir pareizi pievienota. ■ Sazinieties ar EGO klientu apkalpošanas daļu.
Ūdens izsmidzināšana sākas vai apstājas automātiski.	<ul style="list-style-type: none"> ■ Augstspiediena šļūtene ir bojāta. ■ No pistoles noplūst ūdens. ■ Nodilušas sūkņa vai šļūtenes blīves. 	<ul style="list-style-type: none"> ■ Nomainiet ar jaunu augstspiediena šļūteni. ■ Sazinieties ar EGO klientu apkalpošanas daļu. ■ Sazinieties ar EGO klientu apkalpošanas daļu.
Ar pistoli nav iespējams vadīt mazgāšanas iekārtu.	<ul style="list-style-type: none"> ■ Pistole atrodas ārpus bezvadu savienojuma diapazona. ■ Monētas tipa šūnu (pogas tipa šūnu) akumulatora uzlādes līmenis ir zems. ■ Pistole nav pareizi savienota pāri. ■ Monētas tipa šūnu akumulators nav pareizi ievietots. 	<ul style="list-style-type: none"> ■ Pielieciet pistoli tuvāk augstspiediena mazgāšanas iekārtai. ■ Nomainiet ar jaunu monētas tipa šūnu (pogas tipa šūnu) akumulatoru. ■ Veiciet savienošanu pāri, ievērojot norādījumus sadaļā "Isi nospiežamās pistoles savienošana". ■ Ievietojiet monētas tipa šūnu akumulatoru, ievērojot norādījumus sadaļā "MONĒTAS TIPĀ ŠŪNU AKUMULATORUIEVIEĻOŠANA".

LV

GARANTIJA

EGO GARANTIJAS POLITIKA

Lūdzam apmeklēt tīmekļa vietni egopowerplus.eu, kur pieejama pilna EGO garantijas politikas noteikumu un nosacījumu versija.

ΔΙΑΒΑΣΤΕ ΟΛΕΣ ΤΙΣ ΟΔΗΓΙΕΣ!



ΔΙΑΒΑΣΤΕ ΤΟ ΕΓΧΕΙΡΙΔΙΟ ΧΡΗΣΗΣ

⚠ ΠΡΟΕΙΔΟΠΟΙΗΣΗ: Προκειμένου να διασφαλιστεί η ασφάλεια και η αξιοπιστία, όλες οι επισκευές πρέπει να διενεργούνται από εξειδικευμένο τεχνικό σέρβις.

ΣΥΜΒΟΛΟ ΑΣΦΑΛΕΙΑΣ

Ο σκοπός των συμβόλων ασφαλείας είναι να σας επιστήσουν την προσοχή σε ενδεχόμενους κινδύνους. Λαμβάνετε υπόψη και εξοικειωθείτε με τα σύμβολα ασφαλείας και τις επεξηγήσεις που τα συνοδεύουν. Τα σύμβολα προειδοποίησης από μόνα τους δεν εξαλείφουν κανέναν κίνδυνο. Οι οδηγίες και οι προειδοποιήσεις που παρέχουν δεν υποκαθιστούν τα ενδεδειγμένα μέτρα πρόληψης ατυχημάτων.

⚠ ΠΡΟΕΙΔΟΠΟΙΗΣΗ! Βεβαιωθείτε ότι έχετε διαβάσει και κατανοήσει όλες τις οδηγίες ασφαλείας στο παρόν εγχειρίδιο χρήσης, συμπεριλαμβανομένων όλων των συμβόλων ασφαλείας, όπως «**ΚΙΝΔΥΝΟΣ**», «**ΠΡΟΕΙΔΟΠΟΙΗΣΗ**» και «**ΠΡΟΣΟΧΗ**», προτού να χρησιμοποιήσετε αυτή τη μηχανή. Η μη τήρηση όλων των παρακάτω οδηγιών μπορεί να οδηγήσει σε ηλεκτροπληξία, πυρκαγιά και/ή σοβαρό τραυματισμό.

⚠ ΠΡΟΕΙΔΟΠΟΙΗΣΗ: Κίνδυνος πυρκαγιάς και εγκαυμάτων. Να μην αποσυναρμολογείται, να μην θερμαίνεται πάνω από τους 100 °C, να μην αποτεφρώνεται. Φυλάσσετε τη μπαταρία μακριά από παιδιά και μέσα στη γνήσια συσκευασία, ώσπου να την χρησιμοποιήσετε. Απορρίψτε τις χρησιμοποιημένες μπαταρίες έγκαιρα σύμφωνα με τους τοπικούς κανονισμούς ανακύκλωσης ή διάθεσης απορριμάτων.

ΟΔΗΓΙΕΣ ΑΣΦΑΛΕΙΑΣ

Αυτή η σελίδα απεικονίζει και περιγράφει τα σύμβολα ασφαλείας που ενδέχεται να εμφανιστούν επάνω στο προϊόν. Διαβάξτε, κατανοείτε και τηρείτε όλες τις οδηγίες στη μηχανή, προτού προσπαθήσετε να εκτελέσετε εργασίες συναρμολόγησης και λειτουργίας.



Προειδοποίηση ασφαλείας



Προκειμένου να μειωθεί ο κίνδυνος τραυματισμού, ο χρήστης πρέπει να διαβάσει το εγχειρίδιο χρήσης.



Ποτέ μην ψεκάζετε τον εαυτό σας, άλλους, ζώα, πηγές ενέργειας ή την ίδια τη μονάδα.



Αυτό το προϊόν συμμορφώνεται με τις εφαρμοστέες οδηγίες της ΕΚ.

GR



Μη συνδέετε με το δίκτυο πόσιμου νερού.



Αξιολογήθηκε η συμμόρφωση HB



Τα απόβλητα ειδών ηλεκτρικού και ηλεκτρονικού εξοπλισμού δεν πρέπει να απορρίπτονται στα οικιακά απορρίμματα. Παραδώστε τα σε εξουσιοδοτημένη μονάδα ανακύκλωσης.



Πίεση νερού



Ροή νερού



Θερμοκρασία λειτουργίας



Συνεχές ρεύμα

kg Κιλό

V Τάση

MPa Megapascal

°C Βαθμοί Κελσίου

L/min Λίτρα ανά λεπτό

IPX5 Προστασία από πίδακες νερού

⚠ ΠΡΟΕΙΔΟΠΟΙΗΣΗ: Διαβάστε και κατανοήστε όλες τις οδηγίες πριν χρησιμοποιήσετε το μηχάνημα. Η μη τήρηση όλων των παρακάτω οδηγιών μπορεί να οδηγήσει σε ηλεκτροπληξία, πυρκαγιά και/ή σοβαρό τραυματισμό.

⚠ ΠΡΟΕΙΔΟΠΟΙΗΣΗ: Κατά τη χρήση πλαστικών μηχανημάτων υψηλής πίεσης, ενδέχεται να σχηματιστούν αερολύματα. Η εισπνοή αερολυμάτων μπορεί να είναι επικίνδυνη για την υγεία.

⚠ ΠΡΟΕΙΔΟΠΟΙΗΣΗ: Οι πίδακες υψηλής πίεσης μπορούν να είναι επικίνδυνοι σε περίπτωση εσφαλμένης χρήσης. Ο πίδακας δεν πρέπει να κατευθύνεται προς άτομα, ηλεκτροφόρο εξοπλισμό ή στο ίδιο το μηχάνημα.

⚠ ΠΡΟΕΙΔΟΠΟΙΗΣΗ: Μην χρησιμοποιείτε το μηχάνημα κοντά σε άτομα, εκτός εάν αυτά φορούν προστατευτικό ρουχισμό.

⚠ ΠΡΟΕΙΔΟΠΟΙΗΣΗ: Μην κατευθύνετε τον πίδακα προς εσάς ή άλλους για τον καθαρισμό ρούχων ή υποδημάτων.

⚠ ΠΡΟΕΙΔΟΠΟΙΗΣΗ: Κίνδυνος έκρηξης - Μην ψεκάζετε εύφλεκτα υγρά.

⚠ ΠΡΟΕΙΔΟΠΟΙΗΣΗ: Τα πλαστικά μηχανήματα υψηλής πίεσης δεν πρέπει να χρησιμοποιούνται από παιδιά ή μη εκπαιδευμένο προσωπικό.

⚠ ΠΡΟΕΙΔΟΠΟΙΗΣΗ: Οι εύκαμπτοι σωλήνες, τα εξαρτήματα και οι σύνδεσμοι υψηλής πίεσης είναι σημαντικά για την ασφάλεια του μηχανήματος.

⚠ ΠΡΟΕΙΔΟΠΟΙΗΣΗ: Το νερό που έχει διαρρέυσει από τους μηχανισμούς πρόληψης ανάστροφης ροής θεωρείται μη πόσιμο.

⚠ ΠΡΟΕΙΔΟΠΟΙΗΣΗ: Μη χρησιμοποιείτε το μηχάνημα εάν σημαντικά μέρη του μηχανήματος έχουν υποστεί ζημιά, π.χ. συσκευές ασφαλείας, εύκαμπτοι σωλήνες υψηλής πίεσης, πιστόλι σύντομης πίεσης.

⚠ ΠΡΟΕΙΔΟΠΟΙΗΣΗ: Ανάλογα με την εφαρμογή, τα θωρακισμένα ακροφύσια μπορούν να χρησιμοποιηθούν για καθαρισμό υψηλής πίεσης, γεγονός που θα μειώσει δραστικά την εκπομπή ένυδρων αερολυμάτων. Ωστόσο, δεν επιτρέπουν όλες οι εφαρμογές τη χρήση μιας τέτοιας συσκευής. Εάν τα θωρακισμένα ακροφύσια δεν μπορούν να χρησιμοποιηθούν για την προστασία από τα αερολύματα, ενδέχεται να απαιτείται αναπνευστική μάσκα κατηγορίας FFP 2 ή ισοδύναμη, ανάλογα με το περιβάλλον καθαρισμού.

■ Το παρόν μηχάνημα δεν προορίζεται για χρήση από άτομα (συμπεριλαμβανομένων παιδιών) με μειωμένες φυσικές, αισθητηριακές ή διανοητικές ικανότητες ή με έλλειψη εμπειρίας και γνώσεων. Τα παιδιά θα πρέπει να βρίσκονται υπό επίβλεψη, ώστε να διασφαλιστεί πως δε θα παίξουν με τη συσκευή.

■ Πρέπει να γνωρίζετε πώς να σταματάτε το προϊόν και να εκτονώνετε την πίεση γρήγορα. Εξοικειωθείτε πλήρως με τα χειριστήρια.

■ Λαμβάνετε μέτρα για να μην ενεργοποιηθεί κατά λάθος η συσκευή. Βεβαιωθείτε ότι ο διακόπτης βρίσκεται στη θέση απενεργοποίησης (OFF) πριν συνδέσετε στην συστοιχία μπαταριών, καθώς και όταν σηκώνετε ή μεταφέρετε τη συσκευή. Μη μεταφέρετε τη συσκευή με το δάκτυλο στον διακόπτη. Ενεργοποίηση της συσκευής όταν ο διακόπτης είναι στη θέση on μπορεί να επιφέρει ατυχήματα.

■ Έχετε πάντα επίγνωση του κινδύνου της δύναμης αντίδρασης και της ξαφνικής ροής στη μονάδα ψεκασμού κατά τη λειτουργία του πιστολιού.

■ Μην εκθέτετε τη συσκευή ή την μπαταρία σε υπερβολικές θερμοκρασίες.

■ Λαμβάνετε υπόψη τον κίνδυνο βραχυκυκλώματος από μεταλλικά αντικείμενα των ακροδεκτών της συσκευής με λειτουργία μπαταρίας ή της ίδιας της μπαταρίας.

■ Αφαιρείτε τις επαναφορτιζόμενες μπαταρίες πριν από τη φόρτιση της συσκευής.

■ Δεν πρέπει να αναμειγνύονται διαφορετικοί τύποι μπαταριών ή νέες και μεταχειρισμένες μπαταρίες.

■ Οι άδειες μπαταρίες πρέπει να αφαιρούνται από τη συσκευή και να απορρίπτονται με ασφάλεια.

■ Εάν η συσκευή δεν πρόκειται να χρησιμοποιηθεί για μεγάλο διάστημα και αποθηκευτεί, αφαιρείτε τις μπαταρίες.

■ Μη χρησιμοποιείτε μη επαναφορτιζόμενες μπαταρίες αντί για επαναφορτιζόμενες μπαταρίες.

■ Μη χρησιμοποιείτε τροποποιημένες ή κατεστραμμένες μπαταρίες.

■ Χρησιμοποιήστε μόνο με τις καθορισμένες συστοιχίες μπαταριών και τους φορτιστές.

GR

Φυλάξτε αυτές τις οδηγίες. Ανατρέχετε σε αυτές συχνά και χρησιμοποιήστε τις για να καθοδηγήσετε άλλους που ενδέχεται να χρησιμοποιήσουν αυτό το μηχάνημα. Εάν δανείσετε σε κάποιον αυτήν τη μηχανή, δανείστε και αυτές τις οδηγίες, ώστε να αποτρέψετε τη λανθασμένη χρήση του προϊόντος και ενδεχόμενους τραυματισμούς.

ΣΗΜΕΙΩΣΗ: Η μετάδοση της δόνησης κατά τη διάρκεια της πραγματικής χρήσης του ηλεκτρικού εργαλείου μπορεί να διαφέρει από τη δηλωθείσα τιμή στην οποία χρησιμοποιείται το εργαλείο. Για την προστασία του χειριστή, πρέπει να χρησιμοποιούνται γάντια και ωτοασπίδες υπό πραγματικές συνθήκες χρήσης.

ΤΕΧΝΙΚΕΣ ΠΡΟΔΙΑΓΡΑΦΕΣ

Τάση	56 V
Μέγιστη ονομαστική πίεση	135 Bar
Μέγιστη ονομαστική ροή (με συνδεδεμένη λόγχη ταχείας σύνδεσης και εκτοξευτής ανοξείδωτου χάλυβα)	6,5 L/min
Μέγιστη ονομαστική ροή (με συνδεδεμένο μόνο πιστόλι σύντομης πίεσης)	9,5 L/min
Περιορισμένη μέγιστη πίεση για το πιστόλι	250 Bar
Περιορισμένη μέγιστη ροή για το πιστόλι	30 L/min
Βάρος (χωρίς συστοιχία μπαταριών)	16,8 kg
Συνιστώμενη θερμοκρασία λειτουργίας	5°C – 40°C
Συνιστώμενη θερμοκρασία αποθήκευσης	-20°C – 70°C
Μετρημένη στάθμη ηχητικής ισχύος L_{WA}	84 dB(A) K=1,8 dB(A)
Στάθμη ηχητικής πίεσης στη θέση χειριστή L_{PA}	72 dB(A) K=3 dB(A)
Εγγυημένο επίπεδο ισχύος ήχου L_{WA} (μέτρηση κατά 2000/14/EE)	86 dB(A)
Κραδασμοί a_h	3,6 m/s ² K=0,9 m/s ²

- Η δηλωθείσα συνολική τιμή κραδασμών έχει μετρηθεί σύμφωνα με πρότυπη μέθοδο δοκιμής και μπορεί να χρησιμοποιηθεί για τη σύγκριση ενός εργαλείου με κάποιο άλλο.
- Η αναφερόμενη συνολική τιμή κραδασμών μπορεί να χρησιμοποιηθεί, επίσης, για προκαταρκτική αξιολόγηση έκθεσης.

ΣΥΝΙΣΤΩΜΕΝΑ ΠΑΡΕΛΚΟΜΕΝΑ

⚠ ΠΡΟΕΙΔΟΠΟΙΗΣΗ! Χρησιμοποιήστε μόνο τα αξεσουάρ που αναφέρονται παρακάτω. Η χρήση αξεσουάρ που δεν ανταποκρίνονται στις αρχικές τεχνικές προδιαγραφές του εξοπλισμού μπορεί να οδηγήσει σε μειωμένη απόδοση και να θέσει σε κίνδυνο την ασφάλεια.

ΟΝΟΜΑ ΕΞΑΡΤΗΜΑΤΟΣ	ΑΡΙΘΜΟΣ ΜΟΝΤΕΛΟΥ
Πremium κανόνι αφρού	AFC2000E
Ακροφύσιο τούρμπο	ANZ2000E-T
Ακροφύσιο 15°	ANZ2015E
Ακροφύσιο 25°	ANZ2025E
Ακροφύσιο 40°	ANZ2040E
Ακροφύσιο έκπλυσης	ANZ2000E-R

ΚΑΤΑΛΟΓΟΣ ΕΞΑΡΤΗΜΑΤΩΝ ΣΥΣΚΕΥΑΣΙΑΣ (ΕΙΚ. Α1)

ΠΕΡΙΓΡΑΦΗ

ΓΝΩΡΙΖΕΤΕ ΤΟ ΠΛΥΣΤΙΚΟ ΜΗΧΑΝΗΜΑ ΠΙΕΣΗΣ (ΕΙΚ. Α1)

1. Τηλεσκοπική λαβή
2. Κουμπί ασφάλισης λαβής
3. Άνω άρθρωση στηρίγματος
4. Τροχός (x2)
5. Κάτω άρθρωση στηρίγματος
6. Θύρα εισόδου νερού
7. Θύρα εξόδου νερού
8. Κουμπί ταχύτητας
9. Ένδειξη ταχύτητας
10. Κουμπί ενεργοποίησης/απενεργοποίησης
11. Θήκη συστοιχίας μπαταριών
12. Χώρος αποθήκευσης ακροφυσίων
13. Κάλυμμα θήκης συστοιχίας μπαταριών
14. Ηλεκτρικές επαφές

GR

15. Μηχανισμός εκτόξευσης
16. Κουμπί αποδέσμευσης μπαταριών
17. Ιμάντας συγκράτησης εύκαμπτου σωλήνα
18. Εκτοξευτής ανοξειδωτου χάλυβα
19. Λόγχη ταχείας σύνδεσης
20. Εύκαμπτος σωλήνας υψηλής πίεσης
21. Εύκαμπτος σωλήνας σιφωνιού
22. Σετ ταχυσυνδέσμων (x2)
23. Εκτοξευτής αφρού
24. Φίλτρο
25. Βελόνα καθαρισμού ακροφυσίου
26. Ακροφύσιο έκπλυσης
27. Ακροφύσιο 40°
28. Ακροφύσιο 25°
29. Ακροφύσιο 15°
30. Ακροφύσιο ΤΟΥΡΜΠΟ
31. Πιστόλι σύντομης πίεσης
32. Κάλυμμα μπαταρίας
33. Δείκτης φόρτισης 5 LED
34. Ένδειξη ταχύτητας
35. Κουμπί ταχύτητας
36. Λαβή πιστολιού
37. Σκανδάλη
38. Κουμπί απασφάλισης

ΣΥΝΑΡΜΟΛΟΓΗΣΗ

ΕΓΚΑΤΑΣΤΑΣΗ ΤΗΣ ΜΟΝΑΔΑΣ ΑΡΘΡΩΣΗΣ ΣΤΗΡΙΓΜΑΤΟΣ (Εικ. Β)

B-1	Άνω άρθρωση στηρίγματος	B-2	Κάτω άρθρωση στηρίγματος
B-3	Βίδες		

ΣΥΝΔΕΣΗ ΤΟΥ ΕΥΚΑΜΠΤΟΥ ΣΩΛΗΝΑ ΥΨΗΛΗΣ ΠΙΕΣΗΣ (Εικ. C - Εικ. D)

GR

Μπορείτε να συνδέσετε τον εύκαμπο σωλήνα υψηλής πίεσης με έναν από τους ακόλουθους τρόπους:

- Συνδέστε τον εύκαμπο σωλήνα υψηλής πίεσης με τη θύρα εξόδου νερού και το πιστόλι απευθείας χρησιμοποιώντας συνδέσμους με σπείρωμα (Εικ. C1 - Εικ. C2).
- Συνδέστε τον εύκαμπο σωλήνα υψηλής πίεσης στη θύρα εξόδου νερού και στο πιστόλι χρησιμοποιώντας δύο σετ ταχυσυνδέσμων για να επιτύχετε εύκολη εγκατάσταση/αφαίρεση (Εικ. D1 - Εικ. D2).

ΣΗΜΕΙΩΣΗ: Τα σετ ταχυσυνδέσμων έχουν τοποθετηθεί στο εργοστάσιο στη θύρα εξόδου νερού, στον εύκαμπο σωλήνα υψηλής πίεσης και στο πιστόλι.

ΣΥΝΔΕΣΗ ΤΗΣ ΛΟΓΧΗΣ ΚΑΙ ΤΟΥ ΕΚΤΟΞΕΥΤΗ (Εικ. E1 - Εικ. E2)

Για την αποσύνδεση, ξεβιδώστε τον εκτοξευτή από τη λόγχη και κατόπιν τραβήξτε τον έξω. Λασκάρτε το κουμπί στη λόγχη και κατόπιν τραβήξτε πίσω τον εξωτερικό δακτύλιο του ταχυσυνδέσμου του πιστολιού για να τραβήξετε έξω τη λόγχη.

⚠ ΠΡΟΕΙΔΟΠΟΙΗΣΗ: Πάντα να κρατάτε το πιστόλι με το ένα χέρι και τη λόγχη με το άλλο χέρι όταν αποσυνδέετε τη λόγχη από το πιστόλι. Μπορεί να προκληθεί ατομικός τραυματισμός σε περίπτωση πτώσης της λόγχης.

ΣΥΝΔΕΣΗ ΕΝΟΣ ΑΚΡΟΦΥΣΙΟΥ (Εικ. F1 / Εικ. F2)

ΣΗΜΕΙΩΣΗ: Τα ακροφύσια δεν μπορούν να συνδεθούν με τη λόγχη.

- Επιλέξτε το ακροφύσιο 15°, το ακροφύσιο 25°, το ακροφύσιο 40° ή το ακροφύσιο τούρμπο για να το τοποθετήσετε στον εκτοξευτή (Εικ. F1).

F1-1	Ακροφύσιο 15°	F1-2	Ακροφύσιο 25°
F1-3	Ακροφύσιο 40°	F1-4	Ακροφύσιο ΤΟΥΡΜΠΟ

- Το ακροφύσιο έκπλυσης συνδέεται απευθείας με το πιστόλι (Εικ. F2).

F2-1	Ακροφύσιο έκπλυσης
------	--------------------

⚠ ΠΡΟΕΙΔΟΠΟΙΗΣΗ: Κρατάτε πάντα το πιστόλι με το ένα χέρι και το ακροφύσιο με το άλλο χέρι όταν αποσυνδέετε το ακροφύσιο από το πιστόλι. Μπορεί να προκληθεί ατομικός τραυματισμός εάν το ακροφύσιο πεταχτεί έξω.

Χρησιμοποιήστε τον παρακάτω πίνακα για να επιλέξετε το κατάλληλο ακροφύσιο για την εκάστοτε εργασία.

Επιλογή ακροφυσίου	Εφαρμογές
Κίτρινο ακροφύσιο 15°	Καθαρίζετε μικρές μεταλλικές, τσιμεντένιες ή ξύλινες επιφάνειες.
Πράσινο ακροφύσιο 25°	Καθαρίζετε μεγαλύτερες μεταλλικές, τσιμεντένιες ή ξύλινες επιφάνειες.
Άσπρο ακροφύσιο 40°	Καθαρίζετε μεγάλες επιφάνειες από μέταλλο, τσιμέντο, ξύλο ή βινύλιο.
Γκρι ακροφύσιο έκπλυσης	Πλύσιμο οχημάτων. Ξεπλένετε το απορρυπαντικό από μέταλλο, τσιμέντο, ξύλο ή βινύλιο.

Ακροφύσιο τούρμπο	Καθαρίζετε μόνο σκληρές επιφάνειες. Για να αποφύγετε ζημιές στις επιφάνειες, μην το χρησιμοποιείτε σε αυτοκίνητα και ξύλινες επιφάνειες.
----------------------	--

ΣΥΝΔΕΣΗ ΤΟΥ ΕΚΟΤΞΕΥΤΗ ΑΦΡΟΥ (Εικ. G)

Ο εκτοξευτής αφρού συνδέεται απευθείας με το πιστόλι.

Για να τον αποσυνδέσετε, τραβήξτε προς τα πίσω τον εξωτερικό δακτύλιο του ταχυσυνδέσμου και στη συνέχεια, τραβήξτε έξω τον εκτοξευτή αφρού.

ΣΥΝΔΕΣΗ ΤΟΥ ΕΥΚΑΜΠΤΟΥ ΣΩΛΗΝΑ ΣΙΦΩΝΟΥ (Εικ. Η1 - Εικ. Η2)

Όταν χρησιμοποιείτε έναν κουβά νερού (δεν παρέχεται) ως πηγή νερού, συνδέετε το πλυστικό πίεσης στον εύκαμπτο σωλήνα σιφωνίου.

ΣΗΜΕΙΩΣΗ: Γεμίστε πρώτα τον κουβά έτσι ώστε όταν βυθιστεί το φίλτρο να μην επιπλέει στην επιφάνεια.

ΣΥΝΔΕΣΗ ΜΕ ΛΑΣΤΙΧΟ ΚΗΠΟΥ (ΔΕΝ ΠΑΡΕΧΕΤΑΙ)

Όταν χρησιμοποιείτε τη βρύση νερού (δεν παρέχεται) ως πηγή νερού, συνδέετε το πλυστικό πίεσης σε λάστιχο κήπου (δεν παρέχεται).

ΛΕΙΤΟΥΡΓΙΑ

ΕΦΑΡΜΟΓΗ

Μπορείτε να χρησιμοποιήσετε αυτό το προϊόν για τους ακόλουθους σκοπούς:

- Καθαρισμός ρύπων σε αυτοκίνητα, τοίχους, δάπεδα κ.λπ.

ΠΡΟΣΑΡΤΗΣΗ/ΑΠΟΜΑΚΡΥΝΣΗ ΤΗΣ ΣΥΣΤΟΙΧΙΑΣ ΜΠΑΤΑΡΙΩΝ

Χρησιμοποιείτε μόνο τις συστοιχίες μπαταριών και τους φορτιστές της EGO που αναφέρονται στην Εικ. Α2.

Ανατρέξτε στα αντίστοιχα εγχειρίδια των συστοιχιών μπαταριών και των φορτιστών για περισσότερες λεπτομέρειες.

Φορτίστε πλήρως πριν από την πρώτη χρήση.

ΣΗΜΕΙΩΣΗ: Η χρήση μιας συστοιχίας μπαταριών δεν θα σας επιτρέψει να επιτύχετε ταχύτητα ΤΟΥΡΜΠΟ.

Για βέλτιστη απόδοση, συνιστούμε οπωσδήποτε τη χρήση δύο συστοιχιών μπαταριών 5,0Ah ή με μεγαλύτερη ισχύ Ah.

1. Ανεβάστε το κάλυμμα της θήκης μπαταριών, ανασηκώνοντας το μπροστινό μέρος του καλύμματος.
2. **Για την προσάρτηση**, ευθυγραμμίστε τις νευρώσεις της μπαταρίας με τις οπές τοποθέτησης και πιέστε τη συστοιχία μπαταριών προς τα κάτω, μέχρι να ακούσετε «κλικ». Συνδέστε την άλλη μπαταρία (Εικ. Ι1).
3. **Για την αφαίρεση**, πιέστε το κουμπί αποδέσμευσης μπαταριών και τραβήξτε τη συστοιχία μπαταριών προς τα έξω (Εικ. Ι2).

I2-1	Κουμπί αποδέσμευσης μπαταριών
------	-------------------------------

4. Κλείστε το κάλυμμα της θήκης μπαταριών.

ΕΚΚΙΝΗΣΗ/ΣΤΑΜΑΤΗΜΑ ΤΟΥ ΠΛΥΣΤΙΚΟΥ ΠΙΕΣΗΣ (Εικ. J)

Εκκίνηση του πλυστικού πίεσης

ΣΗΜΕΙΩΣΗ: Μην ξεκινάτε το πλυστικό πίεσης χωρίς να είναι συνδεδεμένη και ενεργοποιημένη η παροχή νερού. Έτσι μπορεί να προκληθεί ζημιά στις στεγανοποιήσεις υψηλής πίεσης και μείωση της διάρκειας ζωής της αντλίας.

1. Βεβαιωθείτε ότι ο εύκαμπτος σωλήνας σιφωνίου, ο σωλήνας υψηλής πίεσης, το πιστόλι, το ακροφύσιο είναι σωστά συνδεδεμένα.
2. Συνδέστε τη λόγχη, τον εκτοξευτή, τον εκτοξευτή αφρού, το φίλτρο ανάλογα με τις ανάγκες σας.
3. Επιλέξτε έναν από τους παρακάτω τρόπους παροχής νερού:
 - Όταν χρησιμοποιείτε λάστιχο κήπου (δεν παρέχεται), συνδέετε το πλυστικό πίεσης στο λάστιχο κήπου και, στη συνέχεια, ανοίξτε τη βρύση νερού.
 - Όταν χρησιμοποιείτε κουβά νερού, συνδέετε το φίλτρο στον σωλήνα σιφωνίου και, στη συνέχεια, βυθίστε το φίλτρο και την ένωση ταχυσυνδέσμου πλήρως στον κάδο νερού.
4. Εγκαταστήστε τη (τις) συστοιχία(ες) μπαταριών.
5. Πατήστε το κουμπί λειτουργίας για να ενεργοποιήσετε το πλυστικό πίεσης. Το πλυστικό λειτουργεί πάντα σε υψηλή ταχύτητα μετά από κάθε εκκίνηση.

ΣΗΜΕΙΩΣΗ: Όταν το πλυστικό πίεσης ενεργοποιηθεί αλλά δεν γίνουν άλλες ενέργειες με αυτό, το πλυστικό θα απενεργοποιηθεί αυτόματα μετά από 5 λεπτά διάρκεια αναμονής. Κατά τα πρώτα λεπτά αναμονής, η ένδειξη ταχύτητας στο πλυστικό πίεσης θα αναβοσβήσει με τρία πράσινα φώτα ώστε να δηλωθεί ότι δεν ρέει νερό μέσα στον εύκαμπτο σωλήνα σιφωνίου.

GR

6. Κρατήστε το πιστόλι και με τα δύο χέρια, πιέστε την πλευρά ξεκλειδώματος του κουμπιού ασφάλισης και κατόπιν συμπιέστε τη σκανδάλη μέχρι να δημιουργηθεί σταθερή ροή νερού.

ΣΗΜΕΙΩΣΗ: Εάν η λόγχη είναι συνδεδεμένη, κρατήστε το πιστόλι με το ένα χέρι και τη λόγχη με το άλλο χέρι.

7. Ξεκινήστε το πλύσιμο με ψεκασμό.

ΣΗΜΕΙΩΣΗ: Μπορεί να χρειαστεί λίγος χρόνος για να περάσει το νερό από την πηγή του και να εξέλθει από το ακροφύσιο ως σταθερός ψεκασμός. Για να επιτύχετε σταθερή ροή νερού γρήγορα, ενδέχεται να θέλετε να:

- a. Αφαιρέσετε το ακροφύσιο.
- b. Πατήστε τη σκανδάλη και περιμένετε μέχρι να αρχίσει να εξέρχεται σταθερή δέσμη νερού από τον εκτοξευτή.
- c. Απελευθερώσετε τη σκανδάλη και επανατοποθετήσετε το ακροφύσιο.

Για το σταμάτημα του πλυστικού πίεσης

1. Μόλις ολοκληρωθεί το πλύσιμο, αφήστε τη σκανδάλη και πατήστε το κουμπί κλειδώματος για να ασφαλίσετε τη θέση.
2. Πατήστε το κουμπί λειτουργίας για να απενεργοποιήσετε το πλυστικό πίεσης.
3. Κλείστε τη βρύση του νερού ή αφαιρέστε το σωλήνα σφωνιού από τον κουβά νερού.
4. Πιέστε το κουμπί κλειδώματος του πιστολιού στη θέση ξεκλειδώματος και πιέστε τη σκανδάλη για να αδειάσει το νερό από τους σωλήνες.

ΣΗΜΕΙΩΣΗ: Το πιστόλι, οι εύκαμπτοι σωλήνες, οι εκτοξευτές, τα ακροφύσια ή ο εκτοξευτής αφρού δεν πρέπει να αποσυνδέονται για όσο διάστημα το νερό παραμένει στους σωλήνες.

5. Αποσυνδέστε και αφαιρέστε το πιστόλι, τους εύκαμπτους σωλήνες, τους εκτοξευτές, τα ακροφύσια ή τον εκτοξευτή αφρού.
6. Πατήστε το κουμπί λειτουργίας για να ενεργοποιήσετε το πλυστικό πίεσης για να αδειάσει το νερό στο πλυστικό πίεσης.
7. Πατήστε ξανά το κουμπί λειτουργίας για να απενεργοποιήσετε το πλυστικό πίεσης.
8. Αφαιρέστε τη συστοιχία μπαταριών (ή τις συστοιχίες μπαταριών).

ΤΗΛΕΧΕΙΡΙΣΤΗΡΙΟ

Το πιστόλι μπορεί να συνδεθεί με το πλυστικό πίεσης για να λειτουργεί ως τηλεχειριστήριο.

Ζεύξη πιστολιού σύντομης πίεσης (Εικ. Κ)

1. Εισαγάγετε τη (τις) συστοιχία(ες) μπαταριών και ενεργοποιήστε το πλυστικό υψηλής πίεσης.
2. Πατήστε παρατεταμένα το κουμπί ταχύτητας στη μονάδα πλυστικού υψηλής πίεσης μέχρι να αρχίσουν να αναβοσβήνουν οι τρεις πράσινες λυχνίες.

ΣΗΜΕΙΩΣΗ: Θα αναβοσβήνουν περίπου για 20 δευτερόλεπτα, έτσι ώστε να είναι δυνατή ζεύξη του πιστολιού μόνο σε αυτή τη χρονική περίοδο. Μπορείτε επίσης να πατήσετε σύντομα το κουμπί ταχύτητας στο πλυστικό για να βγείτε από τη λειτουργία σύζευξης οποιαδήποτε στιγμή.

3. Πατήστε παρατεταμένα το κουμπί ταχύτητας στο πιστόλι μέχρι οι τρεις πράσινες λυχνίες να αρχίσουν να αναβοσβήνουν, γεγονός το οποίο σημαίνει ότι η διαδικασία ζεύξης έχει ξεκινήσει.

ΣΗΜΕΙΩΣΗ: Το αναβοσβήσιμο που υποδεικνύει τη διαδικασία ζεύξης διαρκεί περίπου 10 δευτερόλεπτα. Μπορείτε να πατήσετε σύντομα το κουμπί ταχύτητας στο πιστόλι για να τερματίσετε τη διαδικασία ζεύξης ανά πάσα στιγμή.

4. Οι ενδείξεις ταχύτητας στο πλυστικό και στο πιστόλι προβάλλουν τρεις πράσινες λυχνίες μαζί για 3 δευτερόλεπτα για να δηλώσουν ότι η ζεύξη ήταν επιτυχής, κατόπιν προβάλλονται δύο πράσινες λυχνίες.
5. Εάν η ζεύξη αποτύχει θα αναβοσβήσουν στις ενδείξεις ταχύτητας στο πλυστικό και το πιστόλι τρία φώτα και κατόπιν θα σβήσουν.

Χρήση του τηλεχειριστηρίου

Αφού ολοκληρωθεί η ζεύξη, πατήστε το κουμπί ταχύτητας μια φορά στο πιστόλι, θα ανάψουν η ένδειξη καυσίμου με 5 LED και η ένδειξη ταχύτητας. Πατήστε ξανά το κουμπί ταχύτητας για να αλλάξετε στην πράξη την ταχύτητα.

ΣΗΜΕΙΩΣΗ:

- Η ένδειξη καυσίμου με 5 LED και η ένδειξη ταχύτητας θα σβήσουν όταν δεν εκτελεστεί άλλη ενέργεια στο κουμπί ταχύτητας του πιστολιού εντός 10 δευτερολέπτων.
- Η ένδειξη καυσίμου με 5 LED υποδηλώνει τη στάθμη φόρτισης της μπαταρίας. Όταν είναι εγκατεστημένες δύο συστοιχίες μπαταριών, υποδηλώνει τη στάθμη της συστοιχίας μπαταριών με το υψηλότερο φορτίο.
- Η ένδειξη ταχύτητας στο πιστόλι είναι πάντα συγχρονισμένη με την ένδειξη ταχύτητας στη μονάδα πλυστικού πίεσης.

ΕΠΙΛΟΓΗ ΤΑΧΥΤΗΤΑΣ

- Η ταχύτητα του πλαστικού πίεσης μπορεί να ρυθμιστεί με το κουμπί ταχύτητας είτε στο πλαστικό είτε στο συνδεδεμένο πιστόλι.
- Η ταχύτητα του πλαστικού πίεσης μπορεί να ρυθμιστεί όταν το πλαστικό είναι ενεργοποιημένο ή κατά τη διάρκεια του ψεκασμού.
- Κάθε φορά που πιέζεται το κουμπί πίεσης, η ταχύτητα εναλλάσσεται μεταξύ υψηλής τιμής, ΤΟΥΡΜΠΟ και χαμηλής τιμής. Η ένδειξη ταχύτητας εμφανίζει μία πράσινη λυχνία, δύο πράσινες λυχνίες ή τρεις πράσινες λυχνίες για να υποδηλώσει ότι το πλαστικό πίεσης λειτουργεί σε χαμηλή ταχύτητα, υψηλή ταχύτητα ή ΤΟΥΡΜΠΟ αντίστοιχα.

ΣΗΜΕΙΩΣΗ: Όταν έχει εισαχθεί μόνο μια συστοιχία μπαταριών, η ταχύτητα ΤΟΥΡΜΠΟ δεν μπορεί να επιτευχθεί και κάθε φορά που πατιέται το κουμπί ταχύτητας, η ταχύτητα εναλλάσσεται μεταξύ υψηλής τιμής και χαμηλής τιμής.

ΣΗΜΕΙΩΣΗ: Εάν το πλαστικό πίεσης συνεχίζει να λειτουργεί σε ταχύτητα ΤΟΥΡΜΠΟ, ενδέχεται να επηρεάζεται ο χρόνος λειτουργίας ανά φόρτιση.

ΚΑΘΑΡΙΣΜΟΣ ΜΕ ΑΠΟΡΡΥΠΑΝΤΙΚΟ

⚠️ ΠΡΟΕΙΔΟΠΟΙΗΣΗ! Χρησιμοποιείτε μόνο απορρυπαντικά που έχουν κατασκευαστεί ειδικά για χρήση με πλαστικά πίεσης. Τηρείτε τις οδηγίες εφαρμογής, απόρριψης και ασφάλειας του κατασκευαστή του απορρυπαντικού.

1. Γυρίστε τη φιάλη του εκτοξευτή αφρού αριστερόστροφα και αφαιρέστε την (Εικ. L1).
2. Ρίξτε το απορρυπαντικό στη φιάλη.

ΣΗΜΕΙΩΣΗ: Η θερμοκρασία του απορρυπαντικού δεν πρέπει να υπερβαίνει τους 60 °C.

3. Επανατοποθετήστε τον εκτοξευτή αφρού και συνδέστε τον στον ταχυξέικη του πιστολιού.
4. Περιστρέψτε το κουμπί απορρυπαντικού για να ρυθμίσετε την ποσότητα απορρυπαντικού που προστίθεται στη ροή του νερού ανάλογα με τις ανάγκες σας (Εικ. L2).

ΣΥΝΤΗΡΗΣΗ

⚠️ ΠΡΟΕΙΔΟΠΟΙΗΣΗ! Προκειμένου να αποφευχθεί σοβαρός τραυματισμός, αποσυνδέστε τη συστοιχία μπαταριών από το προϊόν πριν από τη συντήρηση, τον καθαρισμό, την αλλαγή προσαρτημάτων ή την αφαίρεση υλικού από τη μονάδα.

ΓΕΝΙΚΗ ΣΥΝΤΗΡΗΣΗ

Αποφεύγετε τη χρήση διαλυτών κατά τον καθαρισμό των πλαστικών εξαρτημάτων. Τα περισσότερα πλαστικά είναι ευπαθή στη χρήση διαφόρων τύπων διαλυτών του εμπορίου και καταστρέφονται από τη χρήση τους. Χρησιμοποιήστε ένα καθαρό πανί για την απομάκρυνση βρωμιάς, σκόνης, λαδιού, γράσου, κτλ.

⚠️ ΠΡΟΕΙΔΟΠΟΙΗΣΗ! Μην επιτρέψετε ποτέ να έρθουν σε επαφή τα πλαστικά εξαρτήματα με υγρά φρένων, βενζίνη, πετρελαϊκά προϊόντα, διεισδυτικά λάδια, κτλ. Τα χημικά μπορούν να φθείρουν, να αποδυναμώσουν ή να καταστρέψουν τα πλαστικά εξαρτήματα με κίνδυνο σοβαρού τραυματισμού.

⚠️ ΠΡΟΕΙΔΟΠΟΙΗΣΗ! Για να μειώσετε τον κίνδυνο πυρκαγιάς, τραυματισμού και ζημιάς στο προϊόν λόγω βραχυκυκλώματος, μην βυθίζετε ποτέ τη μηχανή, τη συστοιχία μπαταριών ή το φορτιστή σε υγρό και προσέξτε να μην εισχωρήσει νερό στο εσωτερικό τους. Διαβρωτικά ή αγώγιμα υγρά, όπως το θαλασσινό νερό, ορισμένα βιομηχανικά χημικά, και η χλωρίνη ή προϊόντα που περιέχουν χλώριο κ.λπ., μπορούν να προκαλέσουν βραχυκύκλωμα.

ΑΝΤΙΚΑΤΑΣΤΑΣΗ ΤΗΣ ΕΠΙΠΕΔΗΣ ΜΠΑΤΑΡΙΑΣ (Εικ. M1&M2)

⚠️ ΠΡΟΕΙΔΟΠΟΙΗΣΗ! Να διατηρείται μακριά από τα παιδιά. Κατάποση μπορεί να οδηγήσει σε χημικά εγκαύματα, διάτρηση μαλακών ιστών και θάνατο. Σοβαρά εγκαύματα μπορεί να προκληθούν εντός δύο ωρών από την κατάποση. Ζητήστε αμέσως ιατρική βοήθεια.

ΣΗΜΕΙΩΣΗ: Ποτέ μην ωθείτε την μπαταρία απευθείας μέσα στη θήκη (Εικ. M3). Διαφορετικά, τα δύο κλιπ θα καταστραφούν, προκαλώντας βλάβη στο τηλεχειριστήριο του πιστολιού.

M3-1	Κλιπ
------	------

ΣΗΜΕΙΩΣΗ: Επισκευάστε το πιστόλι με το πλαστικό πίεσης αφότου αντικατασταθεί η επίπεδη μπαταρία, τηρώντας τις οδηγίες στην ενότητα «**Ζεύξη του πιστολιού σύντομης πίεσης**».

GR

ΚΑΘΑΡΙΣΜΟΣ ΤΩΝ ΦΙΛΤΡΩΝ

- Ξεβιδώστε και αφαιρέστε το κουμπί στη θύρα εισόδου νερού και, στη συνέχεια, βγάλτε το μεταλλικό πλέγμα από τη θύρα εισόδου νερού, ξεπλύνετε το μεταλλικό πλέγμα ή αντικαταστήστε το εάν είναι απαραίτητο (Εικ. N1).

N1-1 Μεταλλικό πλέγμα

- Αφαιρέστε το φίλτρο από τον εύκαμπτο σωλήνα σφωνίου, ξεβιδώστε το φίλτρο και στη συνέχεια ξεπλύνετε το καλά (Εικ. N2).

ΚΑΘΑΡΙΣΜΟΣ ΤΩΝ ΑΚΡΟΦΥΣΙΩΝ (Εικ. Ο)

Όταν οι σπές των ακροφυσίων είναι φραγμένες, μπορείτε να χρησιμοποιήσετε τη βελόνα καθαρισμού ακροφυσίων που παρέχεται για να διεσπύσετε στις σπές και να αφαιρέσετε το μπλοκάρισμα.

ΜΕΤΑΦΟΡΑ ΤΟΥ ΠΛΑΣΤΙΚΟΥ ΠΙΕΣΗΣ (Εικ. Ρ)

Πατήστε το κουμπί ασφάλισης της λαβής και, στη συνέχεια, τραβήξτε έξω την τηλεσκοπική λαβή στην πρώτη ένδειξη μήκους μέχρι να ακούσετε ένα «κλικ». Εάν επιθυμείτε, μπορείτε να πατήσετε το κουμπί κλειδώματος της λαβής και, στη συνέχεια, να τραβήξετε έξω την τηλεσκοπική λαβή στην δεύτερη ένδειξη μήκους.

ΑΠΟΘΗΚΕΥΣΗ ΤΟΥ ΠΛΑΣΤΙΚΟΥ ΠΙΕΣΗΣ

1. Σταματήστε το πλαστικό πίεσης, αποδεσμεύστε την πίεση, αδειάστε το νερό και απομακρύνετε τη συστοιχία μπαταριών από το πλαστικό πίεσης τηρώντας τις οδηγίες στην ενότητα «**Σταμάτημα του πλαστικού πίεσης**».
2. Αποθηκεύστε τα ακροφύσια στο χώρο αποθήκευσης ακροφυσίων του πλαστικού πίεσης (Εικ. Q1).
3. Τυλίξτε τον εύκαμπτο σωλήνα υψηλής πίεσης και αποθηκεύστε τον πίσω από την τηλεσκοπική λαβή (Εικ. Q2).
4. Αποθηκεύστε το πιστόλι και τη μονάδα λόγχης και εκτοξευτή μέσα στις αρθρώσεις στηρίγματος ή αποσυνδέστε το πιστόλι και αποθηκεύστε το στις επάνω αρθρώσεις στηρίγματος (Εικ. Q3).

GR

5. Καθαρίστε καλά το πλαστικό πίεσης πριν το αποθηκεύσετε.
6. Αποθηκεύστε το πλαστικό πίεσης σε έναν ξηρό, καλά αεριζόμενο χώρο, ασφαλισμένο ή σε ψηλό σημείο, εκτός εμβέλειας παιδιών. Μην αποθηκεύετε το πλαστικό πίεσης επάνω ή δίπλα σε λιπάσματα, βενζίνη ή άλλες χημικές ουσίες.

Προστασία του περιβάλλοντος



Μην απορρίπτετε ηλεκτρικό εξοπλισμό, παλιές μπαταρίες και φορτιστές στα οικιακά απορρίμματα! Μεταφέρετε αυτό το προϊόν σε εξουσιοδοτημένο κέντρο ανακύκλωσης και παραδώστε το για ξεχωριστή συλλογή. Τα ηλεκτρικά εργαλεία πρέπει να επιστρέφονται σε περιβαλλοντικά συμβατή μονάδα ανακύκλωσης.

ΑΝΤΙΜΕΤΩΠΙΣΗ ΠΡΟΒΛΗΜΑΤΩΝ

ΠΡΟΒΛΗΜΑ	ΑΙΤΙΑ	ΑΝΤΙΜΕΤΩΠΙΣΗ
Το πλυστικό πίεσης δεν ενεργοποιείται.	<ul style="list-style-type: none"> ■ Η στάθμη φόρτισης της συστοιχίας μπαταριών είναι χαμηλή. ■ Η συστοιχία μπαταριών δεν έχει τοποθετηθεί σωστά. 	<ul style="list-style-type: none"> ■ Φορτίστε τη συστοιχία μπαταριών. ■ Σύρετε τη συστοιχία μπαταριών μέσα στη θήκη μπαταριών μέχρι να ασφαλίσει στη θέση της.
Η ταχύτητα ΤΟΥΡΜΠΟ δεν ήταν δυνατόν να ενεργοποιηθεί.	<ul style="list-style-type: none"> ■ Μόνο μία συστοιχία μπαταριών χρησιμοποιείται για τη λειτουργία του πλυστικού. 	<ul style="list-style-type: none"> ■ Χρησιμοποιήστε δύο συστοιχίες μπαταριών 5,0Ah ή με υψηλότερη ισχύ Ah.
Η αντίλία του πλυστικού πίεσης σταματά να λειτουργεί και η ένδειξη ταχύτητας στο πλυστικό αναβοσβήνει με τρεις πράσινες λυχνίες.	<ul style="list-style-type: none"> ■ Το πλυστικό πίεσης ή η (οι) συστοιχία(ες) μπαταριών έχουν υπερθερμανθεί. ■ Το ακροφύσιο είναι μπλοκαρισμένο. ■ Δεν ρέει νερό στον εύκαμπτο σωλήνα σιφωνίου. ■ Η στάθμη φόρτισης της συστοιχίας μπαταριών είναι χαμηλή. ■ Άλλες ηλεκτρονικές βλάβες. 	<ul style="list-style-type: none"> ■ Περιμένετε μέχρι το πλυστικό πίεσης ή η (οι) συστοιχία(ες) μπαταριών να επιστρέψουν στη θερμοκρασία λειτουργίας και κατόπιν επανεκκινήστε το πλυστικό. ■ Χρησιμοποιήστε τη βελόνα καθαρισμού του ακροφυσίου για να διεισδύσετε στις οπές ■ Ελέγξτε και βεβαιωθείτε ότι το νερό ρέει σωστά στον εύκαμπτο σωλήνα σιφωνίου. ■ Φορτίστε τη συστοιχία μπαταριών. ■ Επικοινωνήστε με την εξυπηρέτηση πελατών της EGO.
Η ροή του νερού είναι χαμηλή κατά τον ψεκασμό.	<ul style="list-style-type: none"> ■ Το φίλτρο είναι μερικώς φραγμένο. ■ Το μεταλλικό πλέγμα στη θύρα εισόδου νερού είναι μερικώς φραγμένο. ■ Το φίλτρο και ο σύνδεσμος ταχυζεύκτη του εύκαμπτου σωλήνα σιφωνίου δεν έχει βυθιστεί πλήρως στο νερό. ■ Ο εύκαμπτος σωλήνας σιφωνίου είναι διπλωμένος. ■ Το νερό είναι βρώμικο. ■ Ο εύκαμπτος σωλήνας υψηλής πίεσης είναι φραγμένος. 	<ul style="list-style-type: none"> ■ Καθαρίστε το φίλτρο. ■ Αφαιρέστε και καθαρίστε το μεταλλικό πλέγμα. ■ Βυθίστε πλήρως το φίλτρο και τον σύνδεσμο ταχυζεύκτη στο νερό. ■ Ξεδιπλώστε τον εύκαμπτο σωλήνα σιφωνίου ή αντικαταστήστε τον. ■ Χρησιμοποιείτε μόνο καθαρό νερό. ■ Αφαιρέστε το ακροφύσιο και, στη συνέχεια, αρχίστε να ψεκάζετε νερό από τον εύκαμπτο σωλήνα για να απομακρύνετε την έμφραξη του σωλήνα.

GR

ΠΡΟΒΛΗΜΑ	ΑΙΤΙΑ	ΑΝΤΙΜΕΤΩΠΙΣΗ
Δεν εκτοξεύεται νερό.	<ul style="list-style-type: none"> ■ Δεν υπάρχει παροχή νερού. ■ Το φίλτρο έχει μπλοκαριστεί εντελώς. ■ Το μεταλλικό πλέγμα στη θύρα εισόδου νερού είναι εντελώς μπλοκαρισμένο. ■ Το ακροφύσιο είναι μπλοκαρισμένο. ■ Η αντλία, οι εύκαμπτοι σωλήνες ή άλλα εξαρτήματα έχουν παγώσει. 	<ul style="list-style-type: none"> ■ Ελέγξτε και βεβαιωθείτε ότι το πλυστικό έχει συνδεθεί σωστά στην παροχή νερού. ■ Καθαρίστε το φίλτρο. ■ Αφαιρέστε και καθαρίστε το μεταλλικό πλέγμα. ■ Χρησιμοποιήστε τη βελόνα καθαρισμού του ακροφυσίου για να διεισδύσετε στις οπές ■ Περιμένετε μέχρι να ξεπαγώσουν.
Η ροή του νερού δεν είναι σταθερή.	<ul style="list-style-type: none"> ■ Αέρας εισέρχεται στο πλυστικό. ■ Οι τιμούχες της αντλίας είναι φθαρμένες. 	<ul style="list-style-type: none"> ■ Ελέγξτε και βεβαιωθείτε ότι ο εύκαμπτος σωλήνας σιφωνίου είναι σωστά συνδεδεμένος. ■ Επικοινωνήστε με την εξυπηρέτηση πελατών της EGO.
Ο ψεκασμός νερού ξεκινά ή σταματά αυτόματα.	<ul style="list-style-type: none"> ■ Ο εύκαμπτος σωλήνας υψηλής πίεσης έχει υποστεί ζημιά. ■ Υπάρχει διαρροή νερού από το πιστόλι. ■ Οι τιμούχες αντλίας, οι τιμούχες εύκαμπτου σωλήνα είναι φθαρμένες. 	<ul style="list-style-type: none"> ■ Αντικαταστήστε με νέο σωλήνα υψηλής πίεσης. ■ Επικοινωνήστε με την εξυπηρέτηση πελατών της EGO. ■ Επικοινωνήστε με την εξυπηρέτηση πελατών της EGO.
Το πιστόλι δεν ελέγχει το πλυστικό.	<ul style="list-style-type: none"> ■ Η θέση του πιστολιού βρίσκεται εκτός εύρους ασύρματης σύνδεσης. ■ Η φόρτιση της επίπεδης μπαταρίας (μπαταρία κουμπί) είναι χαμηλή. ■ Το πιστόλι δεν έχει συζευχθεί σωστά. ■ Η επίπεδη μπαταρία δεν έχει τοποθετηθεί σωστά. 	<ul style="list-style-type: none"> ■ Πλησιάστε το πιστόλι πιο κοντά στο πλυστικό πίεσης. ■ Αντικαταστήστε με νέα επίπεδη μπαταρία (μπαταρία κουμπί). ■ Ολοκληρώστε τη σύζευξη ακολουθώντας τις οδηγίες στην ενότητα «Σύζευξη πιστολιού σύντομης πίεσης». ■ Εγκαταστήστε την επίπεδη μπαταρία τηρώντας τις οδηγίες στην ενότητα «ΑΝΤΙΚΑΤΑΣΤΑΣΗ ΤΗΣ ΕΠΙΠΕΔΗΣ ΜΠΑΤΑΡΙΑΣ».

GR

ΕΓΓΥΗΣΗ

ΠΟΛΙΤΙΚΗ ΕΓΓΥΗΣΗΣ EGO

Επισκεφθείτε την ιστοσελίδα egopowerplus.eu για όλους τους όρους και τις προϋποθέσεις της πολιτικής εγγύησης EGO.

TÜM TALİMATLARI OKUYUN!



KULLANIM KILAVUZUNU OKUYUN

UYARI: Emniyet ve güvenilirliği sağlamak için tüm tamir işleri yetkili bir servis teknisyeni tarafından yapılmalıdır.

GÜVENLİK SEMBOLÜ

Güvenlik sembollerinin amacı olası tehlikelere dikkatinizi çekmektir. Güvenlik sembolleri ve yanlarındaki açıklamalar özel dikkat ve anlayış göstermenizi gerektirir. Uyarı sembolleri kendi başlarına herhangi bir tehlikeyi gidermez. Sembollerde belirtilen talimatlar ve uyarılar uygun kaza önleme tedbirlerinin yerine geçmez.

UYARI: Bu makineyi kullanmadan önce **"TEHLİKE," "UYARI"** ve **"DİKKAT"** gibi tüm güvenlikle ilgili uyarı sembollerini içeren bu Kullanım Kılavuzundaki tüm güvenlik talimatlarını okuyup anladığınızdan emin olun. Aşağıdaki talimatların tamamına uyulmaması elektrik çarpması, yangın ve/veya ciddi yaralanma ile sonuçlanabilir.

UYARI: Yangın ve yanık riski. Ürünü parçalarına ayırmayın, 100 °C'nin üzerinde ısıtmayın veya yakmayın. Akü kullanılacağı zamana kadar çocukların ulaşamayacağı yerlerde ve orijinal ambalajında saklayın. Kullanılmış aküleri beklemeden bölgenizdeki geri dönüşüm veya atık yönetmeliklerine uygun olarak imha edin.

GÜVENLİK TALİMATLARI

Bu sayfada, bu ürün üzerinde görülebilecek güvenlik sembolleri gösterilmekte ve açıklanmaktadır. Makineyi monte etmeye ve kullanmaya başlamadan önce, makineye ilişkin tüm talimatları okuyup anlayın ve bu talimatlara uyun.



Güvenlik Uyarısı



Asla kendinize, başkalarına, hayvanlara, güç kaynaklarına veya makinenin kendisine doğru püskürtme yapmayın.



İçme suyu şebekesine bağlamayın.



Atık elektrikli ürünler, evsel atıklar ile birlikte bertaraf edilmemelidir. Yetkili bir geri dönüşüm merkezine teslim edilmelidir.



Su Akışı



Doğru Akım

V

Voltaj

°C

Santigrat

IPX5

Su jetlerine karşı koruma



Yaralanma riskini azaltmak için kullanıcı, kullanma kılavuzunu mutlaka okumalıdır.



Bu ürün, yürürlükteki AB yönetmeliklerine uygundur.



Birleşik Krallık Uygunluğu Değerlendirildi



Su Basıncı



Çalışma Sıcaklığı

kg

Kilogram

MPa

Megapaskal

L/min

Dakikada Litre

TR

⚠ UYARI: Makineyi kullanmadan önce tüm talimatları okuyun ve anlayın. Aşağıdaki talimatların tamamına uyulmaması elektrik çarpması, yangın ve / veya ciddi yaralanma ile sonuçlanabilir.

⚠ UYARI: Yüksek basınçlı temizleyicilerin kullanımı sırasında aerosoller oluşabilir. Aerosollerin solunması sağlığa zararlı olabilir.

⚠ UYARI: Yanlış kullanım durumunda yüksek basınçlı jet püskürtücüler tehlikeli olabilir. Jet püskürtücü kişilere, elektrik akımı geçen cihazlara veya makinenin kendisine doğrultulmamalıdır.

⚠ UYARI: Makineyi, koruyucu kıyafet giymedikleri sürece kişilerin yakınında kullanmayın.

⚠ UYARI: Giysileri veya ayakkabıları temizlemek için jet püskürtücüyü kendinize veya başkalarına doğrultmayın.

⚠ UYARI: Patlama riski – Yanıcı sıvıları püskürtmeyin.

⚠ UYARI: Yüksek basınçlı temizleyiciler çocuklar veya eğitimsiz personel tarafından kullanılmamalıdır.

⚠ UYARI: Yüksek basınç hortumları, bağlantı parçaları ve kablolar makinenin güvenliği açısından önemlidir.

⚠ UYARI: Geri akış önleyicilerden akan su, işlemez su olarak kabul edilir.

⚠ UYARI: Güvenlik cihazları, yüksek basınç hortumları, kısa basınç tabancası gibi makinenin önemli parçaları hasar görmüşse makineyi kullanmayın.


⚠ UYARI: Uygulamaya bağlı olarak, yüksek basınçlı temizlik için korumalı başlıklar kullanılabilir, bu da sulu aerosollerin emisyonunu önemli ölçüde azaltır. Ancak tüm uygulamalar böyle bir cihazın kullanılmasına izin vermez. Aerosollere karşı koruma için korumalı başlıklar kullanılmıyorsa temizlik ortamına bağlı olarak FFP 2 sınıfı veya muadili bir solunum maskesi gerekebilir.

- Bu makine, fiziksel, duyuşsal veya zihinsel kısıtlamaları olan ya da yetersiz deneyim ve bilgi sahibi kişiler (çocuklar dahil) tarafından kullanılmak üzere tasarlanmamıştır. Çocukların cihazla oynamalarını sağlamak için gözetim altında tutulmaları gerekir.
- Ürünü nasıl durduracağınızı ve basıncı hızla nasıl tahliye edeceğinizi öğrenin. Kontroller hakkında çok iyi bilgi sahibi olun.
- Yanlışlıkla çalıştırmaktan kaçının. Cihazın aküsünü takmadan, cihazı kaldırmadan veya taşımadan önce açma/kapatma düğmesinin kapalı olduğundan emin olun. Aleti, parmağınız açma/kapatma düğmesinin üzerinden taşımak veya alet açıkken fişi prize takmak kazalara davetiye çıkarır.
- Tabancayı kullanırken tepki kuvveti ve püskürtme tertibatındaki ani tork nedeniyle oluşabilecek tehlikeye daima dikkat edin.

- Cihazı veya aküyü aşırı sıcaklıklara maruz bırakmayın.
- Akü ile çalışan cihazın veya akü kutuplarının metal nesnelere tarafından kısa devre yapılması riskine dikkat edin.
- Şarj edilebilir aküler şarj edilmeden önce cihazdan çıkarılmalıdır.
- Farklı türdeki aküler veya yeni ve kullanılmış aküler bir arada kullanılmamalıdır.
- Biten aküler cihazdan çıkarılmalı ve güvenli bir şekilde bertaraf edilmelidir.
- Cihaz uzun süre kullanılmadan depolanacaksa aküler çıkarılmalıdır.
- Şarj edilebilir akülerin yerine şarj edilemeyen aküler kullanmayın.
- Değiştirilmiş veya hasar görmüş aküleri kullanmayın.
- **Yalnızca belirtilen akü takımları ve şarj cihazlarıyla kullanın.**

Bu talimatları saklayın. Talimatlara sık sık müracaat edin ve bu makineyi kullanacak diğer kişileri bilgilendirmek için kullanın. Bu makineyi başka birine ödünç verirken ürünün hatalı kullanılmasını ve olası yaralanmaları önlemek için bu talimatları da ürünle birlikte verin.

TEKNİK ÖZELLİKLER

Voltaaj	56 V 
Maksimum Nominal Basınç	135 Bar
Maksimum Nominal Akış (hızlı bağlantı borusu ve paslanmaz çelik çubuk bağlantılıken)	6,5 L/dk.
Maksimum Nominal Akış (yalnızca kısa basınç tabancası bağlantılıken)	9,5 L/dk.
Tabanca için Sınırlı Maksimum Basınç:	250 Bar
Tabanca için Sınırlı Maksimum Akış:	30 L/dk.
Ağırlık (akü hariç)	16,8 kg
Önerilen Çalışma Sıcaklığı	5 °C – 40 °C
Önerilen Depolama Sıcaklığı	-20 °C – 70 °C
Ölçülen ses gücü düzeyi L _{WA}	84 dB(A) K=1,8 dB(A)
Operatörün kulağındaki ses basıncı seviyesi L _{PA}	72 dB(A) K=3 dB(A)

Garanti edilen ses gücü seviyesi L_{WA} (2000/14/EC uyarınca ölçülen)	86 dB(A)
Titreşim a_h	3,6 m/s ² K=0,9 m/s ²

- Beyan edilen toplam titreşim değeri, standart test yöntemine uygun olarak ölçülmüştür ve bir aleti diğer bir alet ile karşılaştırmak için kullanılabilir.
- Beyan edilen toplam titreşim değeri, maruz kalma seviyesinin ilk değerlendirmesi için de kullanılabilir.

DİKKAT: Elektrikli aletin fiili kullanımı sırasında oluşan titreşim emisyonu değeri aletin kullanım şekline bağlı olarak beyan edilen değerden farklı olabilir. Operatör korunmak için fiili kullanım koşullarında eldiven ve kulak koruması takmalıdır.

ÖNERİLEN AKSESUARLAR

⚠ UYARI! Yalnızca aşağıda listelenen aksesuarları kullanın. Orijinal ekipman özelliklerini karşılamayan aksesuarların kullanılması, ürünün hatalı ve tehlikeli bir şekilde çalışmasına neden olabilir.

PARÇA ADI	MODEL NUMARASI
Premium Köpük Tabancası	AFC2000E
Turbo başlık	ANZ2000E-T
15° başlık	ANZ2015E
25° başlık	ANZ2025E
40° başlık	ANZ2040E
Durulama başlığı	ANZ2000E-R

AMBALAJ İÇERİĞİ (ŞEK. A1)

AÇIKLAMA

BASINÇLI YIKAMA MAKİNESİNİZİ TANIYIN (Şek. A1)

- Teleskopik Tutma Kolu
- Tutma Kolu Kilit Düğmesi
- Üst Tutucu Braketi
- Tekerlek (x2)
- Alt Tutucu Braketi
- Su Giriş Portu
- Su Çıkış Portu
- Hız Düğmesi
- Hız Göstergesi
- Güç Düğmesi
- Akü Takımı Bölmesi

- Başlık Saklama Bölmesi
- Akü Takımı Bölmesi Kapağı
- Elektrik Kontakları
- Çıkarma Mekanizması
- Akü Çıkarma Düğmesi
- Hortum Tutucu Kayış
- Paslanmaz Çelik Çubuk
- Hızlı Bağlantı Borusu
- Yüksek Basınç Hortumu
- Sifon Hortumu
- Hızlı Kuplör Seti (x2)
- Köpük Tabancası
- Filtre
- Başlık Temizleme İğnesi
- Durulama Başlığı
- 40° Başlık
- 25° Başlık
- 15° Başlık
- TURBO Başlık
- Kısa Basınç Tabancası
- Pil Kapağı
- 5-LED'li Enerji Göstergesi
- Hız Göstergesi
- Hız Düğmesi
- Tabanca Tutma Kolu
- Tetik
- Kilitleme Düğmesi

MONTAJ

TUTUCU BRACKET TERTİBATINI TAKMA (Şek. B)

B-1	Üst Tutucu Braketi	B-2	Alt Tutucu Braketi
B-3	Vidalalar		

YÜKSEK BASINÇ HORTUMUNU BAĞLAMA

(Şek. C – Şek. D)

Yüksek basınç hortumunu aşağıdaki yöntemlerden birini kullanarak bağlayabilirsiniz:

- Yüksek basınç hortumunu dişi konnektörleri kullanarak doğrudan su çıkış portuna ve tabancaya bağlayın (Şek. C1 – Şek. C2);
- Kolay takma/sökme için yüksek basınç hortumunu su çıkış portuna ve tabancaya iki hızlı kuplör seti kullanarak bağlayın (Şek. D1 – Şek. D2).

NOT: Hızlı kuplör setleri fabrikada su çıkış portuna, yüksek basınç hortumuna ve tabancaya monte edilmiştir.

TR

BORU VE ÇUBUĞU BAĞLAMA (Şek. E1 – Şek. E2)

Bağlantıyı kesmek için çubuğu boruya vidalayın ve ardından dışarı çekin; boru üzerindeki topuzu gevşetin ve ardından boruyu dışarı çekmek için tabancanın hızlı kuplörünün dış halkasını geri çekin.

⚠ UYARI: Boruyu tabancadan çıkarırken daima bir elinizle tabancayı, diğer elinizle de boruyu tutun. Boru düşerse yaralanma meydana gelebilir.

BAŞLIK BAĞLAMA (Şek. F1 / Şek. F2)

NOT: Başlıklar boruya bağlanamaz.

- Çubuğa takmak için 15° başlığı, 25° başlığı, 40° başlığı veya Turbo başlığı seçin (Şek. F1).

F1-1	15° Başlık	F1-2	25° Başlık
F1-3	40° Başlık	F1-4	TURBO Başlık

- Durulama başlığı doğrudan tabancaya bağlanır (Şek. F2).

F2-1	Durulama Başlığı
------	------------------

⚠ UYARI: Başlığı tabancadan çıkarırken daima bir elinizle tabancayı, diğer elinizle de başlığı tutun. Başlık dışarı fırlarsa yaralanma meydana gelebilir.

İşiniz için doğru başlığı seçmek üzere aşağıdaki tabloyu kullanın.

Başlık Seçimi	Uygulamalar
Sarı 15° Başlık	Küçük metal, beton veya ahşap yüzeyleri temizleyin.
Yeşil 25° Başlık	Daha büyük metal, beton veya ahşap yüzeyleri temizleyin.
Beyaz 40° Başlık	Geniş metal, beton, ahşap veya vinil yüzeyleri temizleyin.
Gri Durulama Başlığı	Araçları durulayın. Deterjanı metal, beton, ahşap veya vinilden durulayın.
Turbo Başlık	Yalnızca sert yüzeyleri temizleyin. Yüzeyde hasar oluşmasını önlemek için arabalarda ve ahşap yüzeylerde kullanmayın.

TR

KÖPÜK TABANCASINI BAĞLAMA (Şek. G)

Köpük tabancası doğrudan makine tabancasına bağlanır.

Bağlantıyı kesmek için hızlı kuplörün dış halkasını geri çekin ve ardından köpük tabancasını dışarı çekin.

SİFON HORTUMUNU BAĞLAMA (Şek. H1 – Şek. H2)

Su kaynağı olarak bir su kovası (ürünle birlikte verilmez) kullanıldığında, basınçlı yıkama makinesini sifon hortumuna bağlayın.

NOT: Kovayı, filtre suya daldırıldığında yüzeye çıkmayacak şekilde önceden doldurun.

BAHÇE HORTUMUNA (ÜRÜNE DAHİL DEĞİLDİR) BAĞLAMA

Su kaynağı olarak su musluğunu (ürünle birlikte verilmez) kullanırken, basınçlı yıkama makinesini bir bahçe hortumuna (ürünle birlikte verilmez) bağlayın.

ÇALIŞTIRMA

UYGULAMA

Bu ürünü aşağıda belirtilen amaçlar için kullanabilirsiniz:

- Otomobillerdeki, duvarlardaki, zeminlerdeki vb. kirlerin temizlenmesi.

AKÜYÜ TAKMA/ÇIKARMA

Sadece Şek. A2'de listelenen EGO akülerini ve şarj cihazlarını kullanın.

Daha fazla ayrıntı için ilgili akü ve şarj cihazı kılavuzlarına bakın.

İlk kullanımdan önce tamamen şarj edin.

NOT: Tek akü takımı kullanırsanız TURBO hıza ulaşamazsınız. En iyi performans için iki adet 5,0Ah veya daha yüksek Ah kapasiteli akü takımı kullanılmasını şiddetle öneririz.

1. Kapağın ön kısmını kaldırarak akü bölmesi kapağını kaldırın.
2. **Takmak için** akü dişleri ile montaj yuvalarını hizalayın ve bir "tık" sesi duyana kadar aküyü bastırın. Diğer aküyü takın (Şek. I1).
3. **Çıkarmak için** akü çıkarma düğmesine basın ve aküyü çekip çıkarın (Şek. I2).

I2-1	Akü çıkarma düğmesi
------	---------------------

4. Akü bölmesi kapağını kapatın.

BASINÇLI YIKAMA MAKİNESİNİ ÇALIŞTIRMA/DURDURMA (Şek. J)

Basınçlı Yıkama Makinesini Çalıştırmak İçin

DİKKAT: Basınçlı yıkama makinesini su kaynağı bağlanmadan ve açılmadan çalıştırmayın. Aksi takdirde yüksek basınç contaları hasar görebilir ve pompa ömrü kısalsabilir.

1. Sifon hortumunun, yüksek basınç hortumunun, tabancanın, başlığın düzgün bağlandığından emin olun.
2. Boruyu, çubuğu, köpük tabancasını ve filtreyi ihtiyacınız doğrultusunda bağlayın.
3. Aşağıdaki temini yollarından birini seçin:
 - Bahçe hortumu (ürünle birlikte verilmez) kullanıldığında, basınçlı yıkama makinesini bahçe hortumuna bağlayın ve ardından su musluğunu açın.
 - Su kovası kullanırken filtreyi sifon hortumuna bağlayın ve ardından filtreyi ve hızlı kupaı bağlantısını tamamen su kovasının içine daldırın.
4. Akü takım(lar)ını takın.
5. Basınçlı yıkama makinesini açmak için güç düğmesine basın. Yıkama makinesi her çalıştırmadan sonra daima yüksek hızda çalışacaktır.

NOT: Basınçlı yıkama makinesi açıldığında ancak başka bir işlem yapılmadığında, yıkama makinesi 5 dakikalık bekleme süresinden sonra otomatik olarak kapanır. Bekleme süresinin ilk birkaç dakikasında, basınçlı yıkama makinesinin hız göstergesinde üç yeşil ışık yanıp söner; bu, sifon hortumuna su akmadığını gösterir.

6. Tabancayı iki elinizle tutun, kilitleme düğmesinin kilit açma tarafına basın ve ardından sabit bir su akışı oluşana kadar tetiği sıkın.

NOT: Boru bağlıysa, bir elinizle tabancayı, diğer elinizle boruyu tutun.

7. Püskürtmeli yıkamaya başlayın.

NOT: Suyun kaynaktan ilerleyerek başlıktan sabit bir sprey halinde çıkması biraz zaman alabilir. Hızlı bir şekilde sabit su akışı elde etmek için şunları yapabilirsiniz:

- a. Başlığı çıkarın.
- b. Tetiğe basın ve çubuktan sabit bir su akışı gelmeye başlayana kadar bekleyin.
- c. Tetiği bırakın ve başlığı yeniden takın.

Basınçlı Yıkama Makinesini Durdurmak İçin

1. Yıkama işlemi tamamlandıktan sonra tetiği bırakın ve kilitleme düğmesini kilit konumuna bastırın.
2. Basınçlı yıkama makinesini kapatmak için güç düğmesine basın.
3. Su musluğunu kapatın veya sifon hortumunu su kovasından çıkarın.
4. Tabancanın kilitleme düğmesini açık konuma getirin ve hortumlardaki suyu boşaltmak için tetiği sıkın.

DİKKAT: Hortumlarda su kaldığı sürece tabanca, hortumlar, çubuklar, başlıklar veya köpük tabancasının bağlantısı kesilmemelidir.

5. Tabancayı, hortumları, çubukları, başlıkları veya köpük tabancasını ayırın ve çıkarın.
6. Basınçlı yıkama makinesindeki suyu boşaltmak üzere basınçlı yıkama makinesini açmak için güç düğmesine basın.
7. Basınçlı yıkama makinesini kapatmak için güç düğmesine tekrar basın.
8. Akü takım(lar)ını çıkarın.

UZAKTAN KONTROL

Tabanca, uzaktan kumanda işlevi görecektir şekilde basınçlı yıkama makinesiyle eşleştirilebilir.

Kısa Basınç Tabancasını Eşleştirme (Şek. K)

1. Akü takım(lar)ını takın ve yüksek basınçlı yıkama makinesini açın.
2. Yüksek basınçlı yıkama ünitesindeki hız düğmesine, üç yeşil ışık yanıp sönmeye başlayana kadar uzun basın.

NOT: Yanıp sönmeye yaklaşık 20 sn. sürecektir, dolayısıyla tabanca yalnızca bu süre içinde eşleştirilebilir. Ayrıca yıkama makinesindeki hız düğmesine kısa süre basarak eşleştirme modundan istediğiniz zaman çıkabilirsiniz.

3. Tabanca üzerindeki hız düğmesine üç yeşil ışık yanıp sönmeye başlayana kadar uzun basın; bu, eşleştirme işleminin başladığı anlamına gelir.

NOT: Eşleştirme işlemini gösteren yanıp sönmeye yaklaşık 10 saniye sürecektir. Eşleştirme işleminden istediğiniz zaman çıkmak için tabancanın üzerindeki hız düğmesine kısa süre basabilirsiniz.

4. Yıkama makinesi ve tabanca üzerindeki hız göstergeleri, eşleştirmenin başarılı olduğunu belirtmek için 3 saniye boyunca üç yeşil ışığı birlikte gösterir, ardından iki yeşil ışık gösterilir.
5. Eşleştirme başarısız olursa yıkama makinesi ve tabanca üzerindeki hız göstergeleri üç yeşil ışık şeklinde yanıp söner ve ardından kapanır.

Uzaktan Kumandayı Kullanma

Eşleştirme tamamlandıktan sonra tabanca üzerindeki hız düğmesine bir kez basın, 5 LED'li enerji göstergesi ve hız göstergesi yanacaktır. Hızı şimdi değiştirmek için hız düğmesine tekrar basın.

NOT:

- 5 LED'li enerji göstergesi ve hız göstergesi, tabancanın hız düğmesi üzerinde 10 saniye içerisinde herhangi bir işlem yapılmadığında kapanır.
- 5 LED'li enerji göstergesi akü şarj seviyesini gösterir. İki akü takımı takıldığında gösterge, daha yüksek şarj sahip akü takımının seviyesini gösterir.
- Tabancadaki hız göstergesi her zaman basınçlı yıkama ünitesindeki hız göstergesiyle senkronize edilir.

HIZ SEÇİMİ

- Basınçlı yıkama makinesinin hızı, yıkama makinesi veya eşleştirilmiş tabanca üzerindeki hız düğmesiyle ayarlanabilir.
- Basınçlı yıkama makinesinin hızı, yıkama makinesi açıldığında veya püskürtme sırasında ayarlanabilir.
- Hız düğmesine her basıldığında hız, yüksek seviye, TURBO seviye ve düşük seviye arasında geçiş yapar. Hız göstergesi, basınçlı yıkama makinesinin düşük hızda, yüksek hızda veya TURBO hızda çalıştığını göstermek için sırasıyla bir yeşil ışık, iki yeşil ışık veya üç yeşil ışık görüntüler.

TR

NOT: Yalnızca bir akü takımı takıldığında TURBO hızına ulaşılamaz ve hız düğmesine her basıldığında hız yüksek seviye ile düşük seviye arasında geçiş yapar.

NOT: Basınçlı yıkama makinesi TURBO hızında çalışmaya devam ederse şarj başına çalışma süresi etkilenebilir.

DETERJANLA TEMİZLİK

⚠ UYARI! Yalnızca basınçlı yıkama makineleri için özel olarak üretilmiş deterjanları kullanın. Deterjan üreticisinin uygulama, bertaraf ve güvenlik talimatlarına uyun.

1. Köpük tabancasının şişesini saat yönünün tersine çevirin ve çıkarın (Şek. L1).
2. Deterjanı şişeye dökün.

DİKKAT: Deterjanın sıcaklığı 60°C'yi geçmemelidir.

3. Köpük tabancasını değiştirin ve makine tabancasının hızlı kiplerine bağlayın.
4. Su akışına eklenen deterjan miktarını ihtiyaçlarınıza göre ayarlamak için deterjan topuzunu çevirin (Şek. L2).

BAKIM

⚠ UYARI! Ciddi yaralanmaları önlemek için bakım, temizlik, aparat değişimi veya üniteden malzeme çıkarma işlemlerinden önce akü takımını üründen çıkarın.

GENEL BAKIM

Plastik parçaları temizlerken çözücü maddeler kullanmaktan kaçının. Çoğu plastik malzeme, çeşitli ticari çözücü türlerinden etkilenmeye yatkındır ve bu çözücü maddelerin kullanılması durumunda zarar görebilir. Kir, toz, yağ, gres, vb. gidermek için temiz bez kullanın.

⚠ UYARI! Fren sıvıları, benzin, petrol bazlı ürünler, içe işleyen yağlar gibi maddelerin plastik parçalara temas etmesine kesinlikle izin vermeyin. Kimyasal maddeler plastik parçalara hasar verebilir, bu tür parçaları zayıflatabilir veya parçalayabilir ve bu durum ciddi yaralanmalara neden olabilir.

⚠ UYARI! Kısa devre nedeniyle yangın, yaralanma ve ürün hasarı riskini azaltmak için makinenizi, akü takımını veya şarj cihazını asla sıvıya batırmayın veya içlerine sıvı akmasına izin vermeyin. Deniz suyu, bazı endüstriyel kimyasallar ve ağartıcı veya ağartıcı içeren ürünler gibi aşındırıcı veya iletken sıvılar kısa devreye neden olabilir.

DÜĞME PİLİ DEĞİŞTİRME (Şek. M1&M2)

⚠ UYARI! Bu cihazları çocukların erişemeyeceği yerlerde tutun. Yutulması halinde kimyasal yanıklar, yumuşak doku delinmesi ve ölüm meydana gelebilir. Yutulduktan sonraki 2 saat içinde ciddi yanıklar meydana gelebilir. Derhal tıbbi yardım isteyin.

DİKKAT: Pili asla doğrudan bölmenin içine itmeyin (Şek. M3). Aksi takdirde iki klips hasar görür ve tabancanın uzaktan kumandasının arızalanmasına neden olur.

M3-1 Klips

NOT: Düğme pil değiştirildikten sonra tabancayı basınçlı yıkama makinesi ile "**Kısa Basınçlı Tabancasını Eşleştirme**" bölümündeki talimatları izleyerek yeniden eşleştirin.

FİLTRELERİ TEMİZLEME

- Su giriş portundaki topuzu söküp çıkarın ve ardından metal örgüyü su giriş portundan çıkarın, metal ızgarayı durulayın veya gerekirse değiştirin (Şek. N1).

N1-1 Metal Örgü

- Filtreyi sifon hortumundan çıkarın, filtreyi vidalayın ve ardından iyice durulayın (Şek. N2).

BAŞLIKLARI TEMİZLEME (Şek. O)

Başlıklardaki delikler tıkanıldığında, deliklerden geçirecek tıkanıklığı gidermek için ürünle birlikte verilen başlık temizleme iğnesini kullanabilirsiniz.

BASINÇLI YIKAMA MAKİNESİNİ TAŞIMA (Şek. P)

Tutma kolu kilit düğmesine basın ve ardından bir "klik" sesi duyuncaya kadar teleskopik tutma kolunu birinci uzunluk seviyesine kadar çekin. İsterseniz tutma kolu kilit düğmesine basabilir ve ardından teleskopik tutma kolunu ikinci uzunluk seviyesine kadar çekebilirsiniz.

BASINÇLI YIKAMA MAKİNESİNİ DEPOLAMA

1. Basınçlı yıkama makinesini durdurun, basıncı boşaltın, suyu boşaltın ve **"Basınçlı Yıkama Makinesini Durdurmak İçin"** bölümündeki talimatları izleyerek akü takımını basınçlı yıkama makinesinden çıkarın.
2. Başlıkları basınçlı yıkama makinesinin başlık saklama bölgesinde saklayın (Şek. Q1).
3. Yüksek basınç hortumunu sarın ve teleskopik tutma kolunun arkasında saklayın (Şek. Q2).
4. Tabanca, boru ve çubuk grubunu tutucu braketlerde depolayın veya tabancayı ayırın ve üst tutucu braketlerde saklayın (Şek. Q3).

5. Basınçlı yıkama makinesini depolamadan önce iyice temizleyin.
6. Basınçlı yıkama makinesini çocukların ulaşamayacağı kuru, iyi havalandırılmış, kilitli veya yüksek bir yerde depolayın. Basınçlı yıkama makinesini gübre, benzin veya diğer kimyasal maddelerin yakınında depolamayın.

Çevre koruması



Elektrikli cihazları, kullanılmış aküyü ve şarj cihazını evsel atıklarla bertaraf etmeyin! Bu ürünü yetkili bir geri dönüşüm merkezine götürün ve ayrı bir şekilde toplanmasını sağlayın. Elektrikli aletler çevreyle uyumlu bir geri dönüşüm tesisine götürülmelidir.

SORUN GİDERME

SORUN	NEDENİ	ÇÖZÜM
Basınçlı yıkama makinesi açılmıyor.	<ul style="list-style-type: none">■ Akü takımının şarjı düşüktür.■ Akü takımı düzgün takılmamıştır.	<ul style="list-style-type: none">■ Akü takımını şarj edin.■ Akü takımını yerine oturuncaya kadar akü bölmesinin içine doğru kaydırın.
TURBO hızı etkinleştirilemiyor.	<ul style="list-style-type: none">■ Yıkama işlemi için sadece bir akü takımı kullanılmıştır.	<ul style="list-style-type: none">■ İki adet 5,0Ah veya daha büyük Ah kapasitesine sahip akü takımı kullanın.
Basınçlı yıkama pompası duruyor ve yıkama makinesinin üzerindeki hız göstergesinde üç yeşil ışık yanıp sönüyor.	<ul style="list-style-type: none">■ Yıkama makinesi veya akü takım(lar)ı aşırı sıcaktır.■ Başlık tıkanmıştır.■ Sifon hortumuna su akışı yoktur.■ Akü takımının şarjı düşüktür.■ Başka elektronik arıza(lar) vardır.	<ul style="list-style-type: none">■ Basınçlı yıkama makinesi veya akü takım(lar)ı çalışma sıcaklığına dönene kadar bekleyin ve ardından yıkama makinesini yeniden başlatın.■ Başlık temizleme iğnesini kullanarak delikleri açın.■ Sifon hortumuna suyun düzgün şekilde aktığını kontrol edin ve emin olun.■ Akü takımını şarj edin.■ EGO müşteri hizmetlerine başvurun.
Püskürtme sırasında su akışı düşük oluyor.	<ul style="list-style-type: none">■ Filtre kısmen tıkanmıştır.■ Su giriş portundaki metal örgü kısmen tıkanmıştır.■ Sifon hortumunun filtresi ve hızlı kuplör bağlantısı tamamen suya batırılmamıştır.■ Sifon hortumu katlanmıştır.■ Su kirlidir.■ Yüksek basınç hortumu tıkanmıştır.	<ul style="list-style-type: none">■ Filtreyi temizleyin.■ Metal örgüyü çıkarın ve temizleyin.■ Filtreyi ve hızlı kuplör bağlantısını tamamen suya batırın.■ Sifon hortumunu düzleştirin veya değiştirin.■ Yalnızca temiz su kullanın.■ Başlığı çıkarın ve ardından hortumdaki tıkanıklığı gidermek için hortumdan su püskürtmeye başlayın.

SORUN	NEDENİ	ÇÖZÜM
Dışarıya su püskürmüyor.	<ul style="list-style-type: none"> ■ Su kaynağı yoktur. ■ Filtre tamamen tıkanmıştır. ■ Su giriş portundaki metal örgü tamamen tıkanmıştır. ■ Başlık tıkanmıştır. ■ Pompa, hortumlar veya diğer bileşenler donmuştur. 	<ul style="list-style-type: none"> ■ Yıkama makinesinin su kaynağına düzgün şekilde bağlandığını kontrol edin ve emin olun. ■ Filtreyi temizleyin. ■ Metal örgüyü çıkarın ve temizleyin. ■ Başlık temizleme iğnesini kullanarak delikleri açın. ■ Bu parçaların çözülmesini bekleyin.
Su akışı stabil değil.	<ul style="list-style-type: none"> ■ Yıkama makinesine hava akışı vardır. ■ Pompa contaları aşınmıştır. 	<ul style="list-style-type: none"> ■ Sifon hortumunun düzgün bağlandığını kontrol edin ve emin olun. ■ EGO müşteri hizmetlerine başvurun.
Su püskürtme otomatik olarak başlıyor veya duruyor.	<ul style="list-style-type: none"> ■ Yüksek basınç hortumu hasarlıdır. ■ Tabancadan su sızıntısı vardır. ■ Pompa contaları ve hortum contaları aşınmıştır. 	<ul style="list-style-type: none"> ■ Yeni yüksek basınç hortumuyla değiştirin. ■ EGO müşteri hizmetlerine başvurun. ■ EGO müşteri hizmetlerine başvurun.
Tabanca yıkama makinesini kontrol edemiyor.	<ul style="list-style-type: none"> ■ Tabancanın konumu kablolu bağlantı aralığının dışındadır. ■ Düğme pilin şarjı düşüktür. ■ Tabanca düzgün eşleştirilmemiştir. ■ Düğme pil düzgün takılmamıştır. 	<ul style="list-style-type: none"> ■ Tabancayı basınçlı yıkama makinesine yaklaştırın. ■ Yeni bir düğme pil ile değiştirin. ■ "Kısa Basınç Tabancasını Eşleştirme" bölümündeki talimatları izleyerek eşleştirmeyi tamamlayın. ■ Düğme pili "DÜĞME PİLİ DEĞİŞTİRME" bölümündeki talimatları izleyerek takın.

GARANTİ

EGO GARANTİ POLİTİKASI

EGO Garanti Politikasına ilişkin tüm hükümler ve koşullar için lütfen egopowerplus.eu adresindeki web sitesini ziyaret edin.

LUGEGE LÄBI KÕIK JUHISED!



LUGEGE KASUTUSJUHENDIT

⚠ HOIATUS! Turvalisuse ja vastupidavuse tagamiseks peab kõiki parandustöid läbi viima kvalifitseeritud hooldustehnik.

OHUTUSSÜMBOL

Ohutussümbolite eesmärk on pöörata tähelepanu võimalikele ohtudele. Ohutussümbolitele ja nende juures olevatele seletustele tuleb korralikult tähelepanu pöörata ja need endale selgeks teha. Ohutussümbolid iseenesest ei kõrvalda ohtu. Nendega kaasnevad juhendid ja hoiatused ei asenda asjakohaseid õnnetuste ennetamise meetmeid.

⚠ HOIATUS. Enne käesoleva masina kasutamist lugege kindlasti läbi ja tehke endale selgeks kõik kasutusjuhendis toodud ohutusjuhised, sh kõik ohutussümbolid, nagu „OHT“, „HOIATUS“ ja „ETTEVAATUST“. Kui allpool loetletud juhiseid ei järgita, võib tagajärjeks olla elektrilöökk, tulekahju ja/või rasked kehavigastused.

⚠ HOIATUS. Tulekahju ja põletuste oht. Mitte koost lahti võtta, mitte kuumutada üle 100 °C ja mitte põlema panna. Hoida akut lastele kättesaamatus kohas ja originaalpakendis kuni kasutamiseni. Kõrvaldada kasutatud akud viivitamatult vastavalt kohalikele ümbertöötus- ja jäätmekäitluseskirjadele.

OHUTUSJUHISED

Sel lehel on kujutatud ja kirjeldatud ohutussümboleid, mida võib käesolevalt tootelt leida. Enne, kui üritate masinat kokku panna ja kasutada, lugege, tehke omale selgeks ja järgige kõiki juhiseid.



Ohutusteade



Vigastusohu vähendamiseks peab kasutaja enne toote kasutamist kasutusjuhendit lugema.



Ärge kunagi pihustage enda, teiste, loomade, toiteallikate ega seadme enda suunas.



Toode vastab kohaldatavatele EÜ direktiividele.



Ärge ühendage seadet joogiveevõrku.



UKCA vastavusmargisega



Elektriseadmete jäätmeid ei tohi visata olmejäätmete hulka. Viige volitatud taaskäitleja juurde.



Veesurve



Veevool



Töötemperatuur



Alalisvool

kg Kilogramm



Pinge

MPa Megapascal



Celsius

L/min Liitrit minutis

IPX5 Kaitse veejuga eest

ET

⚠️ HOIATUS. Enne masina kasutamist lugege ja mõistke kõiki juhiseid. Kui kõiki allpool loetletud juhiseid ei järgita, võib tagajärjeks olla elektrilöökk, tulekahju ja/või tõsised isikuvigastused.

⚠️ HOIATUS. Survepesurite kasutamisel võivad moodustuda aerosoolid. Aerosoolide sissehingamine võib olla tervisele ohtlik.

⚠️ HOIATUS. Kõrgsurvejoad võivad olla väärkasutuse korral ohtlikud. Veejuga ei tohi olla suunatud inimestele, pingestatud elektriseadmetele ega masinale endale.

⚠️ HOIATUS. Ärge kasutage masinat inimeste läheduses, välja arvatud juhul, kui nad kannavad kaitseriietust.

⚠️ HOIATUS. Ärge suunake juga enda või teiste vastu, et puhastada riideid või jalatseid.

⚠️ HOIATUS. Plahvatusoht — ärge pihustage tuleohtlikke vedelikke.

⚠️ HOIATUS. Survepesureid ei tohi kasutada lapsed ega koolitamata isikud.

⚠️ HOIATUS. Kõrgsurvevoolikud, liitmikud ja kinnitused on masina ohutuse seisukohalt olulised.

⚠️ HOIATUS. Tagasivoolutakistustest läbi voolanud vett loetakse mittejoodavaks.

⚠️ HOIATUS. Ärge kasutage masinat, kui masina olulised osad on kahjustatud, nt ohutusseadmed, kõrgsurvevoolikud, lühike survepüstol.

⚠️ HOIATUS. Sõltuvalt kasutusalaast võib kõrgsurvepuhastamiseks kasutada varjestatud otsakuid, mis vähendab oluliselt veevabade aerosoolide emissiooni. Kuid sellist seadet ei saa kasutada mis tahes kasutusalaal. Kui kaitseks aerosoolide eest ei kasutata varjestatud otsakut, võib olenevalt puhastuskeskkonnast osutada vajalikuks klassi FFP 2 või samaväärne hingamismask.

- Seda masinat ei tohi kasutada vähenenud füüsiliste, sensoorsete või vaimsete võimete või väheste kogemuste ja teadmistega isikud (sh lapsed). Lastele tuleb õpetada, et nad ei tohi seadmega mängida.
- Teadke, kuidas toodet peatada ja survet kiiresti alandada. Viige end juhtseadistega põhjalikult kurssi.
- Vältige seadme tahtmatut käivitamist. Enne seadme ühendamist akuplokiga, enne seadme kättevõtmist või kandmist veenduge, et lüliti on väljalülitatud asendis. Seadme kandmine sõrme lülitil hoides või aktiivses olekus lülitiga põhjustab õnnetusi.
- Püstoli kasutamisel võtke alati arvesse reaktsioonijõu ohtu ja pihustuskomplekti järsku pöördemomenti.
- Vältige seadme või aku kokkupuudet liiga kõrgete temperatuuridega.

- Võtke arvesse akutoitega seadme või aku klemmide lühistamise ohtu metallesemete poolt.
- Laetavad akud tuleb seadmelt enne selle käitlemist eemaldada.
- Erinevat tüüpi akusid või uusi ja kasutatud akusid ei tohi segada.
- Tühjad akud tuleb seadmest eemaldada ja ohutult kõrvaldada.
- Eemaldage patareid/akud, kui seadet hoiustatakse pikka aega seda kasutamata.
- Ärge kasutage laetavate akude asemel mittelaetavaid akusid.
- Ärge kasutage muudetud ega kahjustatud akusid.
- **Kasutage ainult täpsustatud akuplokke ja laadijaid.**

Hoidke need juhised alles. Lugege juhendit sageli ning kasutage seda masinat kasutavate isikute väljaõpetamiseks. Kui te masinat kellelegi laenate, andke sellega kaasa ka käesolev kasutusjuhend, et vältida toote väärkasutamist ja võimalikke vigastusi.

TEHNILISED ANDMED

Pinge	56 V
Maksimaalne nimirõhk	135 Latt
Maksimaalne nimivõimsus (kiire ühenduslüliga ja roostevabast terasest varrega ühendamise korral)	6,5 l/min
Maksimaalne nimivool (ainult lühikese survepüstoliga ühendamise korral)	9,5 l/min
Püstoli maksimaalne piiratud surve	250 Bar
Püstoli maksimaalne piiratud vool	30 l/min
Kaal (ilma akuplokita)	16,8 kg
Soovituslik töökeskkonna temperatuur	5 °C kuni 40 °C
Soovituslik hoiustamise temperatuur	-20 °C kuni 70 °C
Möödetud helirõhu tase L_{WA}	84 dB (A) K=1,8 dB (A)
Helirõhk seadme operaatori kõrva juures L_{PA}	72 dB(A) K=3 dB(A)

ET

Garanteeritud helirõhk L_{WA} (mõõdetud vastavalt 2000/14/EN)	86 dB(A)
Vibratsioon a_n	3,6 m/s ² K=0,9 m/s ²

- Esitatud vibratsioonitaseme näit on mõõdetud standardsete testmeetodite kohaselt ja seda võib kasutada erinevate tööriistade võrdlemiseks.
- Esitatud vibratsioonitaseme näitu võib kasutada ka algse kokkupuutehinnangu andmiseks.

MÄRKUS! Tegelikul kasutamisel tekkiv vibratsioonitase võib esitatust erineda; turvalisuse eesmärgil peaks seadme kasutaja tegelikes kasutustingimustes kandma kindaid ja kuulmiskaitsmeid.

SOOVITATUD TARVIKUD

⚠ HOIATUS. Kasutage ainult allpool loetletud tarvikuid. Algselt tootespetsifikatsioonile mittevastavate tarvikute kasutamine võib põhjustada häireid seadme töös ja puudujääke ohutuses.

OSA NIMI	MUDELI NUMBER
Vahuprits	AFC2000E
Turbo-otsak	ANZ2000E-T
15° otsak	ANZ2015E
25° otsak	ANZ2025E
40° otsak	ANZ2040E
Loputusotsak	ANZ2000E-R

PAKENDI LOEND (JOON A1)

KIRJELDUS

ET

TUNNE OMA SURVEPESURIT (joon A1)

1. Teleskoopkäepide
2. Käepideme lukustusnupp
3. Ülemine hoidik
4. Ratas (x2)
5. Alumine hoidik
6. Vee sisselaskeava
7. Vee väljalaskeava
8. Kiiruse nupp
9. Kiirusindikaator
10. Toitenupp
11. Akupesa
12. Otsakute hoidik

13. Akupesa kate
14. Klemmid
15. Väljutusmehhanism
16. Akuvabastusnupp
17. Vooliku õlarihm
18. Roostevabast terasest vars
19. Kiirühenduslüli
20. Kõrgsurvevoolik
21. Sifoonvoolik
22. Kiirühenduse komplekt (x2)
23. Vahtkaur
24. Filter
25. Otsaku puhastusnõel
26. Loputusotsak
27. 40° otsak
28. 25° otsak
29. 15° otsak
30. TURBO-otsak
31. Lühike survepüstol
32. Akukate
33. 5-LED kütusemõõdik
34. Kiirusindikaator
35. Kiiruse nupp
36. Püstolkäepide
37. Päästik
38. Lukustusnupp

KOKKUPANEK

HOIDIKU KOOSTU PAIGALDAMINE (joon B)

B-1	Ülemine hoidik	B-2	Alumine hoidik
B-3	Kruvid		

KÕRGSURVEVOOLIKU ÜHENDAMINE

(joon C, joon D)

Kõrgsurvevooliku võib ühendada ühel järgmistest viisidest.

- Ühendage kõrgsurvevoolik otse vee väljalaskeava ja püstoliga keermestatud ühenduste abil (joon C1, joon C2);
- Ühendage kõrgsurvevoolik vee väljalaskeava ja püstoliga, kasutades kahte kiirühenduskomplekti, et tagada lihtne paigaldus/eemaldamine (joon D1, joon D2).

MÄRKUS. Kiirühenduskomplektid on paigaldatud vee väljalaskeava juurde, kõrgsurvevoolikule ja püstolile tehases.

KIIRÜHENDUSLÜLI JA VARRE ÜHENDAMINE (joon E1, joon E2)

Eraldamiseks keerake vars kiirühenduslülist välja ja tõmmake see välja; vabastage lüli nupp ja seejärel tõmmake püstoli kiirühenduse välimine rõngas tagasi, et lüli välja tõmmata.

⚠ HOIATUS. Lüli püstolist eraldades hoidke alati ühe käega püstolist ja teise käega lülist. Lüli kukkumine võib põhjustada kehavigastusi.

OTSAKU ÜHENDAMINE (joon F1, joon F2)

MÄRKUS. Otsakuid ei saa kiirühenduslüliga ühendada.

- Valige 15° otsak, 25° otsak, 40° otsak või Turbootsak et paigaldada see varre külge (joon F1).

F1-1	15° otsak	F1-2	25° otsak
F1-3	40° otsak	F1-4	TURBO-otsak

- Loputusotsak on otse püstoliga ühendatud (joon F2).

F2-1	Loputusotsak
------	--------------

⚠ HOIATUS. Hoidke püstolist otsaku lahtiühendamisel alati püstolilt ühe käega ja otsakut teise käega. Kui otsak hüppab välja, võib see tekitada kehavigastusi.

Kasutage allolevat tabelit, et valida töö jaoks õige otsak.

Otsaku valik	Rakendused
Kollane 15° otsak	Väikeste metall-, betoon- või puitpindade puhastamine.
Roheline 25° otsak	Suuremate metall-, betoon- või puitpindade puhastamine.
Valge 40° otsak	Laiade metall-, betoon-, puit- või vinüülpindade puhastamine.
Hall loputusotsak	Sõidukite loputamine. Loputage pesuaine metallilt, betoonilt, puidult või vinüülit maha.
Turbootsak	Puhastage ainult kõvad pinnad. Pinnakahjustuste vältimiseks ärge kasutage autodel ja puitpindadel.

VAHTKAHURIGA ÜHENDAMINE (joon G)

Vahtkahur on püstoliga otse ühendatud.

Katkestamiseks tõmmake kiirühenduse välimine rõngas tagasi ja tõmmake seejärel vahtkahur välja.

SIFOONVOOLIKU ÜHENDAMINE (joon H1, joon H2)

Kui kasutate veeallikana veeämbrit (pole kaasas), ühendage survepesur sifoonivoolikuga.

MÄRKUS. Eeltäitke ämber nii, kui sukeldatud filter ei tuleks pinnale.

ÜHENDAMINE AIAVOOLIKUGA (POLE KAASAS)

Kui kasutate veeallikana veekraani (pole kaasas), ühendage survepesur aiavoolikuga (pole kaasas).

KASUTAMINE

RAKENDUSALAD

Seda toodet võib kasutada allpool loetletud eesmärkidel.

- Autode, seinte, põrandate jms mustuse puhastamine

AKUPLOKI PAIGALDAMINE/EEMALDAMINE

Kasutage ainult joonisel A2 esitatud EGO akuplokke ja laadureid.

Lisateavet leiate vastavatest akuplokkide ja laadijate kasutusjuhenditest.

Enne esmakasutamist laadige täielikult täis.

MÄRKUS. Ühe aku kasutamine ei võimalda teil saavutada TURBOKiirust. Parima jõudluse saavutamiseks soovime kasutada akusid, mille kogumaht on 5,0 Ah või rohkem.

- Tõstke akupeska kate üles, tõstes kate esiosa.
- Kinnitamiseks** joondage aku ribad paigaldussoontega ja suruge akuplokki alla kuni kuulete klõpsatust. Kinnitage teine aku (joon I1).
- Eemaldamiseks** vajutage akuvabastusnuppu ja tõmmake akuplokk välja (joon I2).

I2-1	Akuvabastusnupp
------	-----------------

- Sulgege patareipesa kaas.

ET

SURVEPESURI KÄIVITAMINE/PEATAMINE (joon J)

Survepesuri käivitamine

MÄRKUS. Ärge käivitage survepesurit ilma, et seade oleks veevarustusega ühendatud ja sisse lülitatud. See võib kahjustada kõrgsurvetihendeid ja vähendada pumba eluiga.

1. Veenduge, et sifooni voolik, kõrgsurvevoolik, püstol, otsak on korralikult ühendatud.
2. Ühendage lüli, vars, vahtkahur, filtreerige vastavalt oma vajadustele.
3. Valige üks allpool toodud veevarustuse viisidest.
 - Kui kasutate aiavoolikut (pole kaasas), ühendage survepesur aiavoolikuga ja avage seejärel veekraan.
 - Kui kasutate veeämbrist, ühendage filter sifoonvoolikuga ja seejärel sukeldage filter ning kiirühendusliitmik täielikult veeämbrisse.
4. Paigaldage aku(d).
5. Survepesuri sisselülitamiseks vajutage toitenuppu. Pärast iga käivitamist töötab pesur alati suurel kiirusel.

MÄRKUS. Kui survepesur on sisse lülitatud, kuid ei tehta täiendavaid toiminguid, lülitub pesur pärast 5-minutilise ooteaega automaatselt välja. Ooterežiimi esimese mitme minuti jooksul vilgub survepesuri kiirusindikaatoril kolm rohelist tuld, mis näitab, et sifooni voolikusse ei voola vett.

6. Hoidke püstolit mõlema käega, vajutage lukustusnupu avamiskülge ja seejärel vajutage päästikut, kuni tekib ühtlane veevool.

MÄRKUS. Kui lüli on ühendatud, hoidke ühe käega püstolit ja teise käega lüli.

7. Alustage pihustamisega survepesu.

MÄRKUS. Võib kuluda veidi aega, enne kui vesi väljub allikast ja väljub otsakust ühtlase pihusena. Selleks, et saavutada kiiresti ühtlane veevool, võiksite teha järgmist.

- a. Eemaldage otsak.
- b. Vajutage päästikule ja oodake, kuni ühtlane veevool hakkab varrest välja tulema.
- c. Vabastage päästik ja paigaldage otsak uuesti.

Survepesuri peatamine

1. Kui pesemine on lõpetatud, vabastage päästik ja vajutage lukustusnupu, et asend lukustada.
2. Survepesuri väljalülitamiseks vajutage toitenuppu.

3. Sulgege veekraan või eemaldage sifoonivoolik veeämbrist.
4. Vajutage püstoli lukustusnupu avamisasendis ja vajutage päästikut voolikutest vee tühendamiseks.

MÄRKUS! Püstolit, voolikud, varsi, otsakuid või vahtkahurit ei tohi lahti ühendada senikaua, kuni vesi on voolikutest.

5. Ühendage lahti ja eemaldage püstol, voolikud, varred, otsakud või vahtkahur.
6. Survepesuri veest tühendamiseks vajutage toitenuppu survepesuri sisse lülitamiseks.
7. Survepesuri väljalülitamiseks vajutage toitenuppu uuesti.
8. Eemaldage akuplokk (akuplokid)!

KAUGJUHTIMISPULT

Püstolit saab ühendada survepesuriga nii, et see toimiks kaugjuhtimispuldina.

Lühike survepüstoli ühendamine (joon K)

1. Paigaldage survepesuri akud ja lülitage seade sisse.
2. Vajutage pikalt survepesuri seadme kiirusnuppu, kuni selle kolm rohelist tuld hakkavad vilkuma.

MÄRKUS. Vilkumine kestab ligikaudu 20 sek, nii et püstolit saab ühendada ainult selle aja jooksul. Samuti võite igal ajal lühiajaliselt vajutada püstoli kiiruse nuppu, et ühendamisrežiimist väljuda.

3. Vajutage pikalt püstoli kiirusnuppu, kuni selle kolm rohelist tuld hakkavad vilkuma, mis tähendab, et ühendamisprotsess on alanud.

MÄRKUS. Ühendamisprotsessile viitav vilkumine kestab umbes 10 sekundit. Võite igal ajal lühiajaliselt vajutada püstoli kiiruse nuppu, et ühendamisest väljuda.

4. Pesuri ja püstoli kiirusindikaatorid näitavad koos kolme rohelist tuld 3 sek, näitamaks et ühendamine õnnestus. Seejärel näidatakse kaht rohelist tuld.
5. Kui ühendamine nurjub, vilguvad pesuri ja püstol kiirusindikaatoril kolm rohelist tuld, mis lülituvad seejärel välja.

Kaugjuhtimispuldi kasutamine

Pärast ühendamise lõppu vajutage püstolil üks kord kiirusnuppu, süttib 5-LED-kütusemöödik ja kiirusindikaator. Kiiruse muutmiseks vajutage uuesti kiirusnuppu.

MÄRKUS.

- 5-LED kütusemöödik ja kiirusindikaator lülituvad välja, kui püstoli kiirusindikaatoril ei toimu edasisi toiminguid 10 sekundi jooksul.

- 5-LEDiga kütusemöödik näitab aku laetuse taset. Kui kaks akut on paigaldatud, näitab see akut kõrgema laadimistasemega.
- Püstoli kiirusindikaator on alati sünkroonitud survepesuri kiirusindikaatoriga.

KIIRUSE VALIK

- Survepesuri kiirust saab reguleerida kas pesuri või ühendatud püstoli kiirusnupu abil.
- Survepesuri kiirust saab reguleerida, kui pesur on sisse lülitatud või puhustamise ajal.
- Iga kord, kui kiirusnupu vajutatakse, vahetub kiirus kõrge taseme, TURBO taseme ja madala taseme vahel. Kiirusindikaator näitab ühte rohelist tuld, kahte rohelist tuld või kolme rohelist tuld, mis näitavad, kas survepesur töötab vastavalt madalal kiirusel, suurel kiirusel või TURBOKiirusel.

MÄRKUS. Kui sisestatakse ainult üks aku, ei saa TURBOKiirust saavutada ja iga kord, kui vajutatakse kiirusnupu, lülitub kiirus kõrge ja madala taseme vahel.

MÄRKUS. Kui survepesur töötab TURBOKiirusel, võib see mõjutada kasutusaega laadimise kohta.

PUHASTAMINE PESUVAHENDIGA

⚠ HOIATUS. Kasutage ainult spetsiaalselt survepesuritega kasutamiseks mõeldud pesuvahendeid. Järgige pesuvahendi tootja kasutus-, kõrvaldamis- ja ohutusjuhiseid.

1. Pöörake vahtkahuri pudelit vastupäeva ja eemaldage see (joon L1).
2. Valage pesuvahend pudelisse.

MÄRKUS. Pesuvahendi temperatuur ei tohi ületada 60 °C.

3. Vahetage vahtkahur ja ühendage see püstoli kiirühendusega.
4. Pöörake pesuvahendi nuppu, et reguleerida veevoolule lisatud pesuvahendi kogust vastavalt oma vajadustele (joon L2).

HOOLDUS

⚠ HOIATUS. Raskete vigastuste vältimiseks eemaldage alati aku, enne kui asute seadet remontima, puhastama, tarvikuid vahetama või kinni jäänud objekte eemaldama.

ÜLDHOOLDUS

Vältige plastosade puhastamisel lahustite kasutamist. Enamik plastmaterjalidest on vastuvõtlikud müügil olevatest lahustitest tulenevatele kahjustustele. Kasutage mustuse, tolmu, õli, määrde jms eemaldamiseks puhast lappi.

⚠ HOIATUS. Ärge kunagi laske pidurivedelikel, bensiinil, naftapõhistel toodetel, läbistavatel õlidel jne kokku puutuda plastosadega. Kemikaalid võivad plasti kahjustada, nõrgendada või hävitada, mille tagajärjeks võib olla raske kehavigastus.

⚠ HOIATUS. Tulekahju, kehavigastuste ja lühisest põhjustatud tootekahjustuste ohu vähendamiseks ärge kunagi kastke masinat, akuplokki või laadijat vedelikku ega laske vedelikul nende sisse voolata. Söövitavad või juhtivad vedelikud, nagu merevesi, teatud tööstuskemikaalid, pleegitus- või valgendusained sisaldavad tooted jms võivad põhjustada lühiühenduse.

Nööpaku vahetamine (joon M1&M2)

⚠ HOIATUS. Hoida lastele kättesaamatus kohas. Neelamine võib põhjustada keemilisi põletusi, pehmete kudede perforatsiooni ja surma. Rasked põletused võivad tekkida 2 tunni jooksul pärast allaneelamist. Pöörduge viivitamatult arsti poole.

MÄRKUS. Ärge kunagi suruge akut otse pessa (Joon M3). Vastasel juhul kahjustab see kaht klambrit, põhjustades rikke püstoli kaugjuhtimispuldil.

M3-1	Klambrid
------	----------

MÄRKUS: Parandage survepesuri püstol, kui nööpaku on vahetatud, järgides jaotises „Lühikese survepüstoli ühendamine“ toodud juhiseid.

FILTRITE PUHASTAMINE

- Keerake ja eemaldage nupp vee sisselaskeava juures ja seejärel võtke välja metallvõrk vee sisselaskeava juurest, loputage see või asendage see vajadusel (joon N1).

N1-1	Metallvõrk
------	------------

- Eemaldage filter sifooni voolikust, keerake filter välja ja seejärel loputage see põhjalikult (joon N2).

OTSAKUTE PUHASTAMINE (joon O)

Kui otsakute augud on blokeeritud, võite kasutada ette nähtud otsaku puhastusnõela, et puhastada augud ja eemaldada ummistus.

SURVEPESURI TRANSPORTIMINE (joon P)

Vajutage käepideme lukustusnuppu ja tõmmake teleskoopkäepide esimese pikkuse tasemele, kuni kuulete klõpsatust. Soovi korral võite vajutada käepideme lukustusnuppu ja seejärel tõmmata teleskoopkäepideme teise pikkuse tasemele.

SURVEPESURI HOIUSTAMINE

1. Peatage survepesur, vabastage rõhk, tühjendage see veest ja eemaldage aku survepesurist, järgides jaotises „**Survepesuri peatamine**” toodud juhiseid.
2. Hoidke pihustid survepesuri otsak hoiustamisalal (joon Q1).
3. Tõmmake kõrgsurvevoolik üles ja hoidke seda teleskoopkäepideme taga (joon Q2).
4. Hoiustage püstoli, lüli ja varre koostu hoidikus või ühendage püstol lahti ja hoidke seda ülemises hoidikus (joon Q3).
5. Enne hoiustamist puhastage survepesur põhjalikult.
6. Hoidke survepesurit kuivas, hästi ventileeritavas, lukustatud kohas ja kõrgel, lastele ligipääsmatus kohas. Ärge hoiustage survepesurit väetiste, bensiini või muude kemikaalide peal või lähedal.

Keskkonnavastuse



Ärge visake elektriseadmeid, kasutatud akut ega laadurit olmeprügi hulka! Viige toode volitatud taaskäitleja juurde ja võimaldage selle komponendid sorteerituna kõrvaldada. Elektritööriistad tuleb viia keskkonnavastuse nõudeid järgivasse jäätmekäitluskeskusesse.

TÖRKEOTSING

PROBLEEM	PÕHJUS	LAHENDUS
Survepesurit ei saa sisse lülitada.	<ul style="list-style-type: none"> ■ Akuploki laetuse tase on madal. ■ Aku ei ole korralikult paigaldatud. 	<ul style="list-style-type: none"> ■ Laadige akuplokki. ■ Lükake akuplokki akupesasse, kuni see oma kohale klõpsatab.
TURBOKiirust ei saanud aktiveerida.	<ul style="list-style-type: none"> ■ Pesuri tööks kasutatakse ainult ühte akut. 	<ul style="list-style-type: none"> ■ Kasutage kahte 5,0 Ah või suuremat Ah akut.
Survepesuri pump lakkab töötamast ja pesuri kiirusindikaatoril vilgub kolm rohelist tuld.	<ul style="list-style-type: none"> ■ Survepesur või aku(d) on ülekuumenenud. ■ Otsak on blokeeritud. ■ Sifooni voolikusse ei voola vett. ■ Akuploki laetuse tase on madal. ■ Muud elektroonilised vead. 	<ul style="list-style-type: none"> ■ Oodake, kuni survepesur või akut naasevad töötemperatuurini ja seejärel taaskäivitage pesur. ■ Kasutage otsaku puhastusnõela, et augud puhastada. ■ Kontrollige ja veenduge, et vesi voolab korralikult sifooni voolikusse. ■ Laadige akuplokki. ■ Küsige abi EGO hoolduskeskusest.
Pihustamise ajal on veevool madal.	<ul style="list-style-type: none"> ■ Filter on osaliselt blokeeritud. ■ Vee sisselaskeava metallvõrk on osaliselt blokeeritud. ■ Sifooni vooliku filter ja kiirühendusliitmik ei ole täielikult vette sukeldatud. ■ Sifooni voolik on väändunud. ■ Vesi on määrdunud. ■ Kõrgsurvevoolik on blokeeritud. 	<ul style="list-style-type: none"> ■ Puhastage filter. ■ Eemaldage ja puhastage metallvõrk. ■ Sukeldage filter ja kiirühendusliitmik täielikult vette. ■ Keerake sifooni voolik sirgeks või asendage see. ■ Kasutage ainult puhast vett. ■ Eemaldage otsak ja seejärel alustage voolikust vee pihustamist vooliku ummistuse puhastamiseks.

ET

PROBLEEM	PÕHJUS	LAHENDUS
Vett ei pihustu välja.	<ul style="list-style-type: none"> ■ Veevarustus puudub. ■ Filter on täielikult blokeeritud. ■ Vee sisselaskeava metallvõrk on täielikult blokeeritud. ■ Otsak on blokeeritud. ■ Pump, voolikud või muud komponendid on külmunud. 	<ul style="list-style-type: none"> ■ Kontrollige ja veenduge, et pesur on veevarustusega korralikult ühendatud. ■ Puhastage filter. ■ Eemaldage ja puhastage metallvõrk. ■ Kasutage otsaku puhastusnõela, et augud puhastada. ■ Oodake, kuni need on sulanud.
Veevool ei ole stabiilne.	<ul style="list-style-type: none"> ■ Õhk voolab pesurisse. ■ Pumba tihendid on kulunud. 	<ul style="list-style-type: none"> ■ Kontrollige ja veenduge, et sifoonvoolik on korralikult ühendatud. ■ Küsige abi EGO hoolduskeskusest.
Vee pihustamine käivitub või peatub automaatselt.	<ul style="list-style-type: none"> ■ Kõrgsurvevoolik on kahjustatud. ■ Püstolist lekib vett. ■ Pumba tihendid, vooliku tihendid on kulunud. 	<ul style="list-style-type: none"> ■ Asendage uue kõrgsurvevoolikuga. ■ Küsige abi EGO hoolduskeskusest. ■ Küsige abi EGO hoolduskeskusest.
Püstol ei kontrolli pesurit.	<ul style="list-style-type: none"> ■ Püstol asub traadita ühenduse ulatusest väljas. ■ Nõopaku tase on liiga madal ■ Püstol ei ole korralikult ühendatud. ■ Nõopaku ei ole korralikult paigaldatud. 	<ul style="list-style-type: none"> ■ Viige püstol survepesurile lähemale. ■ Vahetage nõopaku uue vastu välja. ■ Viige ühendamine lõpule, järgides jaotises „Lühikese survepüstoli sidumine“ toodud juhiseid. ■ Paigaldage nõopaku, järgides jaotises „NÕOPAKU VAHETAMINE“ toodud juhiseid.

ET

GARANTII

EGO GARANTIIPÕHIMÕTTED

Täielikud EGO garantiitingimused leiate veebilehelt egopowerplus.eu.

ПРОЧИТАЙТЕ ВСІ ІНСТРУКЦІЇ!



ПРОЧИТАЙТЕ ПОСІБНИК З ЕКСПЛУАТАЦІЇ

⚠ ПОПЕРЕДЖЕННЯ. Для гарантування безпеки та надійності всі ремонтні роботи повинен проводити кваліфікований технічний спеціаліст.

СИМВОЛ БЕЗПЕКИ

Мета символів, пов'язаних із безпекою, – привернути вашу увагу до можливих небезпек. Символи безпеки та їхнє пояснення заслуговують на вашу пильну увагу та розуміння. Символи попереджень самі по собі не усувають будь-якої небезпеки. Інструкції та попередження, які вони надають, не замінюють належних заходів щодо запобігання аваріям.

⚠ ПОПЕРЕДЖЕННЯ. Перш ніж користуватися цією машиною, обов'язково ознайомтеся з усіма інструкціями з безпеки, наведеними в цьому посібнику користувача, зокрема з усіма символами попереджень, такими як «**НЕБЕЗПЕКА**», «**ПОПЕРЕДЖЕННЯ**» та «**ЗАСТЕРЕЖЕННЯ**». Недотримання наведених нижче вказівок може спричинити ураження електричним струмом, пожежу та/або серйозні травми.

⚠ ПОПЕРЕДЖЕННЯ. Ризик пожежі та опіків. Не розбирайте, не нагрівайте до температури більше 100 °C й не спалюйте. Тримайте акумулятор у недоступному для дітей місці та в оригінальній упаковці до готовності до використання. Утилізуйте використані батарейки негайно відповідно до місцевих правил переробки та поводження з відходами.

ПРАВИЛА ТЕХНІКИ БЕЗПЕКИ

На цій сторінці зображено та описано символи, пов'язані з безпекою, які можуть відобразитися на цьому виробі. Перш ніж намагатися зібрати та експлуатувати його, ознайомтеся з усіма інструкціями на інструменті та дотримуйтесь їх.



Попередження щодо безпеки



З метою зменшення ризику отримання травм користувач повинен прочитати посібник з експлуатації.



Ніколи не розпилюйте на себе, інших людей, тварин, джерела струму або сам пристрій.



Цей виріб відповідає чинним директивам ЄС.



Не підключайте до водопроводу з питною водою.



Оцінка відповідності у Великобританії



Відходи електричних виробів не слід викидати разом із побутовим сміттям. Зверніться до авторизованого пункту переробки.



Тиск води



Витрата води



Робоча температура



Постійний струм

kg Кілограми

UK

V Напруга

MPa Мегапаскаль

°C Градуси Цельсія

L/min Літри на хвилину

IPX5 Захист від водяних струменів

⚠ ПОПЕРЕДЖЕННЯ. Прочитайте та зрозумійте всі інструкції перед використанням машини. Недотримання наведених нижче вказівок може спричинити ураження електричним струмом, пожежу та/або серйозні травми.

⚠ ПОПЕРЕДЖЕННЯ. Під час використання мийок високого тиску можуть утворюватися аерозолі. Вдихання аерозолів може бути небезпечним для здоров'я.

⚠ ПОПЕРЕДЖЕННЯ. Струмені високого тиску можуть бути небезпечними за неправильного використання. Струмінь не має бути спрямований на людей, електричне обладнання або саму машину.

⚠ ПОПЕРЕДЖЕННЯ. Не використовуйте машину в межах досяжності людей, якщо вони не носять захисний одяг.

⚠ ПОПЕРЕДЖЕННЯ. Не спрямовуйте струмінь на себе чи інших, щоб очистити одяг або взуття.

⚠ ПОПЕРЕДЖЕННЯ. Ризик вибуху – не розпилюйте легкозаймисті рідини.

⚠ ПОПЕРЕДЖЕННЯ. Мийки високого тиску не слід використовувати дітям або некваліфікованому персоналу.

⚠ ПОПЕРЕДЖЕННЯ. Шланги високого тиску, фітінги та муфти важливі для безпеки машини.

⚠ ПОПЕРЕДЖЕННЯ. Вода, яка протікала через зворотні клапани, вважається непитною.

⚠ ПОПЕРЕДЖЕННЯ. Не використовуйте машину, якщо пошкоджені її важливі частини, наприклад запобіжні пристрої, шланги високого тиску, короткий пістолет-розпилювач.

⚠ ПОПЕРЕДЖЕННЯ. Залежно від застосування, для очищення під високим тиском можна використовувати екрановані форсунки, що значно зменшить викиди водних аерозолів. Однак не в усіх застосуваннях можна використовувати такий пристрій. Якщо екрановані форсунки не застосовуються для захисту від аерозолів, може знадобитися респіратор класу FFP 2 або еквівалентний, залежно від середовища очищення.

- Ця машина не призначена для використання особами (включно з дітьми) з обмеженими

фізичними, сенсорними або розумовими здібностями або з браком досвіду і знань. Діти повинні бути під наглядом, щоб вони не бавилися з приладом.

- Слід знати, як швидко зупинити виріб і скинути тиск. Добре вивчіть елементи керування.
- Уникайте випадкового запуску інструмента. Перш ніж підключати прилад до акумулятора, брати чи переносити його, перевірте, чи встановлено перемикач у положення «вимкнено». Якщо переносити прилад, тримаючи палець на вимикачі, або під'єднати прилад, який увімкнено вимикачем, до джерела живлення, це може призвести до нещасних випадків.
- Завжди пам'ятайте про безпеку сили реакції та раптового крутного моменту на розпилювальному вузлі під час роботи з пістолетом.
- Не піддавайте прилад або акумулятор впливу екстремальних температур.
- Пам'ятайте про ризик короткого замикання клем приладу, що працює від акумулятора, або самого акумулятора металевими предметами.
- Акумулятори необхідно виймати з приладу перед заряджанням.
- Не можна змішувати різні типи батарей або нові та використані батареї.
- Використані батареї необхідно вийняти з приладу та безпечно утилізувати.
- Якщо прилад зберігатиметься без використання протягом тривалого часу, батареї слід вийняти.
- Не використовуйте неакумуляторні батареї замість акумуляторних.
- Не використовуйте модифіковані або пошкоджені батареї.
- Використовуйте тільки із зазначеними акумуляторними батареями та зарядними пристроями.

Збережіть цю інструкцію. Часто переглядайте та використовуйте їх, щоб навчати інших, хто може використовувати цю машину. Якщо ви надаєте комусь цю машину, надайте їм ці інструкції, щоб запобігти неналежному використанню виробу та можливим травмам.

UK

ТЕХНІЧНІ ХАРАКТЕРИСТИКИ

Напруга	56 В
Максимальний номінальний тиск	135 бар
Максимальна номінальна витрата (з підключеним швидкороз'ємним наконечником і паличкою з нержавіючої сталі)	6,5 л/хв
Максимальна номінальна витрата (з підключеним коротким пістолетом-розпилювачем)	9,5 л/хв
Обмежений максимальний тиск для пістолета	250 бар
Обмежена максимальна витрата для пістолета	30 л/хв
Вага (без акумулятора)	16,8 кг
Діапазон рекомендованих робочих температур	5°C – 40°C
Діапазон рекомендованих температур зберігання	-20°C – 70°C
Вимірний рівень звукової потужності L_{WA}	84 дБ(A) K = 1,8 дБ(A)
Рівень звукового тиску на місці вуха оператора L_{PA}	72 дБ(A) K=3 дБ(A)
Гарантований рівень звукової потужності L_{WA} (відповідно до стандарту 2000/14/EC)	86 дБ(A)
Вібрація a_n	3,6 м/с ² K=0,9 м/с ²

- Вказане загальне значення вібрації виміряне за стандартним методом тестування і може використовуватися для порівняння одного інструмента з іншим;
- Заявлене сумарне значення вібрації може також використовуватись для попередньої оцінки впливу.

ПРИМІТКА. Емісія вібрації під час фактичного використання електроінструмента може відрізнятись від заявленої величини, за якої використовується інструмент. Щоб захистити оператора, користувач повинен одягати рукавички та захисні навушники в реальних умовах використання.

РЕКОМЕНДОВАНІ АКСЕСУАРИ

⚠ ПОПЕРЕДЖЕННЯ. Використовуйте тільки аксесуари, перелічені нижче. Використання приладдя, що не відповідає характеристикам оригінального обладнання, може призвести до неналежної роботи та поставити під загрозу безпеку.

НАЗВА ДЕТАЛІ	НОМЕР МОДЕЛІ
Преміальна пінна гармата	AFC2000E
Турбофорсунка	ANZ2000E-T
Форсунка 15°	ANZ2015E
Форсунка 25°	ANZ2025E
Форсунка 40°	ANZ2040E
Промивна форсунка	ANZ2000E-R

ПАКУВАЛЬНИЙ СПИСОК (РИС. А1)

ОПИС

ОЗНАЙОМЛЕННЯ З МИЙКОЮ ВИСОКОГО ТИСКУ (рис. А1)

1. Телескопічна ручка
2. Кнопка блокування ручки
3. Верхній кронштейн тримача
4. Колесо (x2)
5. Нижній кронштейн тримача
6. Вхідний отвір для води
7. Вихідний отвір для води
8. Кнопка швидкості
9. Індикатор швидкості
10. Кнопка живлення
11. Акумуляторний відсік
12. Відсік для зберігання насадок
13. Кришка акумуляторного відсіку
14. Електричні контакти
15. Механізм викидання
16. Кнопка звільнення акумулятора
17. Ремінець тримача шланга
18. Паличка з нержавіючої сталі
19. Швидкороз'ємний наконечник
20. Шланг високого тиску
21. Сифонний шланг
22. Комплект швидкороз'ємних з'єднувачів (2 шт.)
23. Пінна гармата
24. Фільтр

UK

25. Голка для чищення форсунок
26. Промивна форсунка
27. Форсунка 40°
28. Форсунка 25°
29. Форсунка 15°
30. ТУРБОФОРСУНКА
31. Короткий пістолет-розпилювач
32. Кришка акумулятора
33. Показчик рівня заряду з 5 світлодіодами
34. Індикатор швидкості
35. Кнопка швидкості
36. Ручка пістолета
37. Тригер
38. Кнопка блокування

ЗБИРАННЯ

УСТАНОВЛЕННЯ КРОНШТЕЙНА ТРИМАЧА В ЗБОРІ (рис. В)

B-1	Верхній кронштейн тримача	B-2	Нижній кронштейн тримача
B-3	Гвинти		

ПІДКЛЮЧЕННЯ ШЛАНГА ВИСОКОГО ТИСКУ (рис. С – рис. Г)

Підключити шланг високого тиску можна одним із таких способів:

- Підключіть шланг високого тиску до отвору для виходу води і безпосередньо до пістолета за допомогою різьбових з'єднувачів (рис. С1 – рис. С2);
- Підключіть шланг високого тиску до вихідного отвору для води та пістолета за допомогою двох комплектів швидкороз'ємних з'єднувачів, щоб забезпечити легке встановлення/зняття (рис. D1 – рис. D2).

ПРИМІТКА. Комплекти швидкороз'ємних з'єднувачів встановлено на заводі на вихідний отвір для води, шланг високого тиску, пістолет.

З'ЄДНАННЯ НАКОНЕЧНИКА Й ПАЛИЧКИ (рис. E1 – рис. E2)

Щоб від'єднати пістолет, відкрутіть паличку від наконечника й витягніть її; послабте ручку на наконечнику, а потім потягніть назад зовнішнє кільце швидкороз'ємного з'єднувача пістолета, щоб витягнути наконечник.

▲ ПОПЕРЕДЖЕННЯ. Завжди тримайте пістолет однією рукою, а наконечник – іншою, від'єднуючи наконечник від пістолета. Падіння наконечника може призвести до травм.

ПІД'ЄДНАННЯ НАСАДКИ (рис. F1/Рис. F2)

ПРИМІТКА. Форсунки не можна під'єднувати до наконечника.

- Виберіть форсунку 15°, 25°, 40° або турбофорсунку для встановлення на паличку (рис. F1).

F1-1	Форсунка 15°	F1-2	Форсунка 25°
F1-3	Форсунка 40°	F1-4	ТУРБОФОРСУНКА

- Промивна форсунка під'єднується безпосередньо до пістолета (рис. F2).

F2-1	Промивна форсунка
------	-------------------

▲ ПОПЕРЕДЖЕННЯ. Завжди тримайте пістолет однією рукою, а форсунку іншою рукою, від'єднуючи форсунку від пістолета. Якщо форсунка вискочить, це може призвести до травмування.

Використовуйте наведену нижче таблицю, щоб вибрати правильну насадку для роботи.

Вибір насадки	Застосування
Жовта форсунка 15°	Миття невеликих металевих, бетонних або дерев'яних поверхонь.
Зелена форсунка 25°	Миття більших металевих, бетонних або дерев'яних поверхонь.
Біла форсунка 40°	Миття широких металевих, бетонних, дерев'яних або вінілових поверхонь.
Сіра промивна форсунка	Миття автомобілів. Змивання мийного засобу з металу, бетону, дерева або вінілу.
Турбофорсунка	Миття тільки твердих поверхонь. Щоб запобігти пошкодженню поверхні, не використовуйте на автомобілях і дерев'яних поверхнях.

ПІД'ЄДНАННЯ ПІННОЇ ГАРМАТИ (рис. G)

Пінна гармата під'єднується безпосередньо до пістолета.

Щоб від'єднати, потягніть назад зовнішнє кільце швидкороз'ємного з'єднувача, а потім витягніть пінну гармату.

ПІД'ЄДНАННЯ СИФОННОГО ШЛАНГА (рис. Н1 – рис. Н2)

Якщо ви використовуєте відро з водою (не входить у комплект) як джерело води, під'єднайте мийку до сифонного шланга.

ПРИМІТКА. Наповніть відро так, щоб під час занурення фільтр не спливав на поверхню.

ПІДКЛЮЧЕННЯ ДО САДОВОГО ШЛАНГА (НЕ ВХОДИТЬ У КОМПЛЕКТ)

Якщо ви використовуєте водопровідний кран (не входить у комплект) як джерело води, під'єднайте мийку до садового шланга (не входить у комплект).

ЕКСПЛУАТАЦІЯ

ЗАСТОСУВАННЯ

Ви можете використовувати цей виріб для цілей, перелічених нижче:

- Очищення від бруду на автомобілі, стіні, підлозі тощо.

УСТАНОВЛЕННЯ І ВИДАЛЕННЯ АКУМУЛЯТОРА

Використовуйте лише акумулятори та зарядні пристрої EGO, перелічені на рис. А2.

Щоб отримати додаткові відомості, див. інструкції відповідних акумуляторів і зарядних пристроїв.

Повністю зарядіть перед першим використанням.

ПРИМІТКА. Використання однієї акумуляторної батареї не дасть змоги досягти швидкості ТУРБО. Для найкращої продуктивності ми настійно рекомендуємо використовувати дві акумуляторні батареї ємністю 5.0 А·год або більше.

1. Підніміть кришку батарейного відсіку, піднявши передню частину кришки.
2. **Щоб прикріпити,** вирівняйте виступи на акумуляторі з кріпильними отворами та натисніть на акумуляторну батарею, доки не почуєте «кляцання». Прикріпіть іншу батарею (рис. I1).
3. **Щоб від'єднати,** натисніть кнопку звільнення акумулятора та витягніть акумуляторну батарею (рис. I2).

I2-1

Кнопка розблокування батареї

4. Закрийте кришку батарейного відсіку.

ЗАПУСК/ЗУПИНКА МИЙКИ ВИСОКОГО ТИСКУ (рис. С)

Запуск мийки високого тиску

ПРИМІТКА. Не запускайте мийку високого тиску без підключеної та ввімкненої подачі води. Це може пошкодити ущільнення високого тиску та зменшити термін служби насоса.

1. Переконайтеся, що сифонний шланг, шланг високого тиску, пістолет, форсунка підключені належним чином.
2. Підключіть наконечник, паличку, пінну гармату, фільтр відповідно до своїх потреб.
3. Виберіть один із наведених нижче способів подачі води:
 - У разі використання садового шланга (не входить у комплект) під'єднайте мийку до садового шланга, а потім відкрийте водопровідний кран.
 - У разі використання відра для води під'єднайте фільтр до сифонного шланга, а потім повністю занурте фільтр і швидко розв'яжіть у відро з водою.
4. Установіть акумулятор(и).
5. Натисніть кнопку живлення, щоб увімкнути мийку високого тиску. Мийка завжди працюватиме на високій швидкості після кожного запуску.

ПРИМІТКА. Якщо мийка ввімкнена, але не виконується жодних дій, вона автоматично вимкнеться після 5 хвилин очікування. Протягом перших кількох хвилин очікування індикатор швидкості на мийці блиматиме трьома зеленими індикаторами, що означає, що в сифонний шланг не надходить вода.

6. Тримавши пістолет обома руками, натисніть на кнопку блокування з боку розблокування, а потім натискайте на тригер, доки не почнеться рівномірний потік води.

ПРИМІТКА. Якщо наконечник приєднаний, тримайте пістолет однією рукою, а наконечник – іншою.

7. Почніть миття розпиленням.

ПРИМІТКА. Може знадобитися деякий час, щоб вода пройшла від джерела та вийшла з форсунки у вигляді рівномірного струменя. Щоб швидко досягти стабільного потоку води, вам може знадобитися виконати такі дії:

UK

- Зніміть форсунку.
- Натисніть на тригер і дочекайтеся, доки з палички почне виходити стійкий струмінь води.
- Відпустіть тригер і знову встановіть форсунку.

Зупинка мийки високого тиску

- Після завершення миття відпустіть тригер і натисніть кнопку блокування в положення блокування.
- Натисніть кнопку живлення, щоб вимкнути мийку високого тиску.
- Закрийте водопровідний кран або вийміть сифонний шланг із відра з водою.
- Натисніть кнопку блокування пістолета в положення розблокування й натисніть на тригер, щоб випустити воду зі шлангів.

ПРИМІТКА. Пістолет, шланги, палички, форсунки або піну гармату не слід від'єднувати, поки вода залишається в шлангах.

- Від'єднайте та зніміть пістолет, шланги, палички, форсунки або піну гармату.
- Натисніть кнопку живлення, щоб увімкнути мийку високого тиску, щоб випустити воду з мийки високого тиску.
- Натисніть кнопку живлення ще раз, щоб вимкнути мийку високого тиску.
- Вийміть акумулятор(и).

ПУЛЬТ ДИСТАНЦІЙНОГО КЕРУВАННЯ

Пістолет можна підключити до мийки високого тиску, щоб він функціонував як пульт дистанційного керування.

Підключення короткого пістолета-розпилювача (рис. К)

- Вставте акумулятор(и) та ввімкніть мийку високого тиску.
- Натисніть і утримуйте кнопку швидкості на апараті високого тиску, доки не почнуть блимати три зелені індикатори.

ПРИМІТКА. Блимання триватиме приблизно 20 с, тому пістолет можна підключити лише протягом цього часу. Ви також можете короткочасно натиснути кнопку швидкості на мийці, щоб вийти з режиму сполучення в будь-який час.

- Натисніть і утримуйте кнопку швидкості на пістолеті, доки три зелені індикатори не почнуть блимати, що означатиме, що процес сполучення розпочався.

ПРИМІТКА. Блимання, що вказує на процес сполучення, триватиме приблизно 10 с. Ви можете коротко натиснути кнопку швидкості на пістолеті, щоб припинити процес сполучення в будь-який час.

- Індикатори швидкості на мийці та пістолеті одночасно загоряться трьома зеленими вогнями на 3 секунди, що свідчатиме про успішне сполучення, а потім горітимуть двома зеленими вогнями.
- Якщо сполучення виконати не вдалося, індикатори швидкості на мийці та пістолеті блимнуть трьома зеленими вогниками, а потім вимкнуться.

Використання пульта дистанційного керування

Після завершення сполучення натисніть кнопку швидкості один раз на пістолеті, загориться показник рівня заряду з 5 світлодіодами та індикатор швидкості. Натисніть кнопку швидкості ще раз, щоб змінити швидкість.

ПРИМІТКА.

- Показник рівня заряду з 5 світлодіодами та індикатор швидкості вимкнуться, якщо протягом 10 секунд не буде натиснуто кнопку швидкості на пістолеті.
- Показник рівня заряду з 5 світлодіодами вказує рівень заряду акумулятора. Коли встановлено два акумулятори, він вказує рівень акумуляторної батареї з більш високим зарядом.
- Індикатор швидкості на пістолеті завжди синхронізується з індикатором швидкості на мийці високого тиску.

ВИБІР ШВИДКОСТІ

- Швидкість роботи мийки високого тиску можна регулювати за допомогою кнопки швидкості на мийці або на підключеному пістолеті.
- Швидкість роботи мийки високого тиску можна регулювати, коли вона ввімкнена або під час розпилювання.
- Щоразу, коли натискається кнопка швидкості, швидкість перемикається між високим рівнем, рівнем ТУРБО та низьким рівнем. Індикатор швидкості відображає один, два або три зелені вогники, вказуючи на те, що мийка працює на низькій швидкості, високій швидкості або в режимі ТУРБО відповідно.

ПРИМІТКА. Якщо встановлено лише один акумулятор, швидкість ТУРБО не може бути досягнута, і після кожного натискання кнопки швидкості відбувається перемикання між високим і низьким рівнем швидкості.

ПРИМІТКА. Якщо мийка високого тиску продовжує працювати на швидкості ТУРБО, це може вплинути на час роботи на одному заряді.

ОЧИЩЕННЯ З МИЙНИМ ЗАСОБОМ

⚠ ПОПЕРЕДЖЕННЯ. Використовуйте лише мийні засоби, спеціально призначені для мийок високого тиску. Дотримуйтесь інструкцій виробника мийного засобу щодо застосування, утилізації та техніки безпеки.

1. Поверніть балон пінної гармати проти годинникової стрілки та зніміть його (рис. L1).
2. Налийте в балон мийний засіб.

ПРИМІТКА. Температура мийного засобу не має перевищувати 60° С.

3. Установіть пінну гармату на місце та підключіть її до швидкокороз'ємного з'єднувача пістолета.
4. Повертаючи ручку регулювання мийного засобу, відрегулюйте кількість мийного засобу, що додається до потоку води, відповідно до своїх потреб (рис. L2).

ОБСЛУГОВУВАННЯ

⚠ ПОПЕРЕДЖЕННЯ. Щоб запобігти серйозним травмам, вийміть акумуляторну батарею з виробу перед обслуговуванням, очищенням, заміною насадок або видаленням матеріалу з пристрою.

ЗАГАЛЬНИЙ ТЕХНІЧНИЙ ДОГЛЯД

Не використовуйте розчинники для очищення пластмасових деталей. Більшість пластмас чутливі до різноманітних промислових розчинників і можуть бути ними пошкоджені. Для видалення бруду, пилу, мастила тощо користуйтеся чистою ганчіркою.

⚠ ПОПЕРЕДЖЕННЯ. Ніколи не допускайте контакту пластмасових частин із гальмівною рідиною, бензином, нафтопродуктами, проникаючими оліями і т. ін. Хімікати можуть пошкодити, ослабити або зруйнувати пластмасу, а це загрожуватиме серйозними травмами.

⚠ ПОПЕРЕДЖЕННЯ. Щоб зменшити ризик пожежі, травмування та пошкодження виробу через коротке замикання, ніколи не занурюйте пристрій, акумулятор або зарядний пристрій у рідину та не допускайте потрапляння рідини всередину. Корозійні або струмопровідні рідини, такі як морська вода, деякі промислові хімікати, відбілювач або продукти, що містять відбілювач тощо, можуть спричинити коротке замикання.

ЗАМІНА БАТАРЕЙКИ-ТАБЛЕТКИ (рис. M1&M2)

⚠ ПОПЕРЕДЖЕННЯ. Зберігайте в недоступному для дітей місці. Ковтання може призвести до хімічних опіків, перфорації м'яких тканин і смерті. Сильні опіки можуть виникнути протягом 2 годин після потрапляння всередину. Негайно зверніться по медичну допомогу.

ПРИМІТКА: Ніколи не втискайте батарейку безпосередньо у відсік (рис. M3). В іншому разі два затискачі буде пошкоджено, що спричинить вихід із ладу пульта дистанційного керування пістолетом.

M3-1	Затискачі
------	-----------

ПРИМІТКА. Сполучіть знову пістолет із мийкою високого тиску після заміни батарейки-таблетки, дотримуючись інструкцій, наведених у розділі «Підключення короткого пістолета-розпилювача».

ОЧИЩЕННЯ ФІЛЬТРІВ

- Відкрутіть і зніміть ручку на вхідному отворі для води, а потім вийміть металеву сітку з вхідного отвору для води, промийте металеву сітку або замініть її в разі потреби (рис. N1).

N1-1	Металева сітка
------	----------------

- Зніміть фільтр із сифонного шланга, викрутіть фільтр, а потім ретельно промийте його (рис. N2).

ЧИЩЕННЯ ФОРСУНОК (рис. O)

Якщо отвори форсунок заблоковані, ви можете скористатися голкою для чищення форсунок, що входить у комплект, щоб пройти крізь отвори та усунути засмічення.

ТРАНСПОРТУВАННЯ МИЙКИ ВИСОКОГО ТИСКУ (рис. P)

Натисніть кнопку блокування ручки, а потім витягніть телескопічну ручку на перший рівень довжини, доки не почуєте «кляцання». За бажання ви можете натиснути кнопку блокування ручки, а потім витягнути телескопічну ручку на другий рівень довжини.

ЗБЕРІГАННЯ МИЙКИ ВИСОКОГО ТИСКУ

1. Зупиніть мийку, скиньте тиск, злийте воду та вийміть акумуляторну батарею з мийки, дотримуючись інструкцій, наведених у розділі «Зупинка мийки високого тиску».
2. Зберігайте насадки в зоні зберігання насадок мийки високого тиску (рис. Q1).
3. Змотайте шланг високого тиску та зберігайте його за телескопічною ручкою (рис. Q2).
4. Зберігайте пістолет і наконечник із паличкою в зборі в кронштейнах тримача або від'єднайте пістолет і зберігайте його у верхніх кронштейнах тримача (рис. Q3).
5. Перед зберіганням ретельно очистьте мийку високого тиску.
6. Зберігайте мийку високого тиску в сухому, добре вентиляваному, закритому або високо розташованому недоступному для дітей місці. Не зберігайте мийку високого тиску біля мінеральних добрив, бензину та інших хімікатів.

Захист довкілля



Не викидайте електричне обладнання, акумулятор і зарядний пристрій у побутові відходи! Віднесіть цей виріб авторизованому переробнику й надайте його для роздільного збирання.

Електроінструменти необхідно повернути в підприємство, що займається екологічно безпечною переробкою.

УСУНЕННЯ НЕСПРАВНОСТЕЙ

НЕСПРАВНІСТЬ	ПРИЧИНА	ВИРІШЕННЯ
Мийка високого тиску не ввімкнена.	<ul style="list-style-type: none"> ■ Заряд акумуляторної батареї низький. ■ Акумуляторна батарея не встановлена належним чином. 	<ul style="list-style-type: none"> ■ Зарядіть акумуляторну батарею. ■ Вставте акумуляторну батарею у відсік, доки вона не зафіксується на місці.
Не вдалось активувати швидкість ТУРБО.	<ul style="list-style-type: none"> ■ Для роботи мийки використовується лише одна акумуляторна батарея. 	<ul style="list-style-type: none"> ■ Використовуйте дві акумуляторні батареї ємністю 5,0 А-год або більше.
Насос мийки високого тиску перестає працювати, і індикатор швидкості на мийці блимає трьома зеленими вогниками.	<ul style="list-style-type: none"> ■ Мийка високого тиску або акумулятор(и) перегріті. ■ Форсунка заблокована. ■ Вода не надходить у сифонний шланг. ■ Заряд акумуляторної батареї низький. ■ Інші електронні несправності. 	<ul style="list-style-type: none"> ■ Зачекайте, доки мийка високого тиску або акумулятор(и) не повернуться до робочої температури, а потім перезапустіть мийку. ■ Використовуйте голку для чищення форсунки для проходу через отвори. ■ Перевірте та переконайтеся, що вода належним чином надходить у сифонний шланг. ■ Зарядіть акумуляторну батарею. ■ Зверніться до клієнтської служби EGO.
Під час розпилення потік води слабкий.	<ul style="list-style-type: none"> ■ Фільтр частково заблокований. ■ Металева сітка на вхідному отворі для води частково заблокована. ■ З'єднання фільтра та швидкороз'ємного з'єднувача сифонного шланга не повністю занурено у воду. ■ Сифонний шланг складений. ■ Вода брудна. ■ Шланг високого тиску блокується. 	<ul style="list-style-type: none"> ■ Очистьте фільтр. ■ Зніміть і очистьте металеву сітку. ■ Повністю занурте фільтр і швидкороз'ємний з'єднувач у воду. ■ Розгорніть сифонний шланг або замініть його. ■ Використовуйте тільки чисту воду. ■ Зніміть насадку, а потім почніть розпилювати воду зі шланга, щоб усунути засмічення в шлангу.

UK

НЕСПРАВНІСТЬ	ПРИЧИНА	ВИРІШЕННЯ
Розпилення води не відбувається.	<ul style="list-style-type: none"> ■ Відсутня подача води. ■ Фільтр заблокований повністю. ■ Металева сітка у вхідному отворі для води повністю заблокована. ■ Форсунка заблокована. ■ Насос, шланги або інші компоненти замерзли. 	<ul style="list-style-type: none"> ■ Перевірте та переконайтеся, що мийка підключена до водопроводу належним чином. ■ Очистьте фільтр. ■ Зніміть і очистьте металеву сітку. ■ Використовуйте голку для чищення форсунки для проходу через отвори. ■ Зачекайте, доки вони розморозяться.
Потік води не стабільний.	<ul style="list-style-type: none"> ■ У мийку потрапляє повітря. ■ Зношені ущільнювачі насоса. 	<ul style="list-style-type: none"> ■ Перевірте та переконайтеся, що сифонний шланг підключений належним чином. ■ Зверніться до клієнтської служби EGO.
Розпилення води починається або припиняється автоматично.	<ul style="list-style-type: none"> ■ Шланг високого тиску пошкоджений. ■ Витік води з пістолета. ■ Зношені ущільнення насоса, ущільнювачі шланга. 	<ul style="list-style-type: none"> ■ Замініть на новий шланг високого тиску. ■ Зверніться до клієнтської служби EGO. ■ Зверніться до клієнтської служби EGO.
Пістолет не може керувати мийкою.	<ul style="list-style-type: none"> ■ Пістолет перебуває за межами зони дії бездротового з'єднання. ■ Батарейка-таблетка розрядилася. ■ Пістолет не підключений належним чином. ■ Батарейка-таблетка на встановлена належним чином. 	<ul style="list-style-type: none"> ■ Піднесіть пістолет ближче до мийки високого тиску. ■ Замініть на нову батарейку-таблетку. ■ Завершіть сполучення, дотримуючись інструкцій у розділі «Підключення короткого пістолета-розпилювача». ■ Установіть батарейку-таблетку, дотримуючись інструкцій у розділі «ЗАМІНА БАТАРЕЙКИ-ТАБЛЕТКИ».

UK

ГАРАНТІЯ

ПРАВИЛА ГАРАНТІЇ EGO

Відвідайте веб-сайт egopowerplus.eu для отримання повного тексту умов гарантійної політики EGO.

ПРОЧЕТЕТЕ ВСИЧКИ ИНСТРУКЦИИ!



ПРОЧЕТЕТЕ РЪКОВОДСТВОТО НА ОПЕРАТОРА

▲ ПРЕДУПРЕЖДЕНИЕ: За да осигурите безопасността и надеждността, всички поправки трябва да се извършват от квалифициран сервизен техник.

СИМВОЛ ЗА БЕЗОПАСНОСТ

Целта на символите за безопасност е да привличат вниманието към възможни опасности. Символите за безопасност и обясненията към тях заслужават вашето повишено внимание и осъзнаване. Символите за безопасност сами по себе си не елиминират каквато и да е опасност. Инструкциите и предупрежденията, които предоставят не са заместители за подходящите мерки за предотвратяване на инцидент.

▲ ПРЕДУПРЕЖДЕНИЕ! Уверете се, че сте прочели и разбрали всички инструкции за безопасност в това Ръководство на оператора, включително всички известяващи символи за безопасност, като „ОПАСНОСТ“, „ПРЕДУПРЕЖДЕНИЕ“ и „ВНИМАНИЕ“, преди да използвате тази машина. Неспазването на всички инструкции изброени долу може да доведе до електрически удар, пожар и/или сериозно нараняване.

▲ ПРЕДУПРЕЖДЕНИЕ: Риск от пожар и изгаряния. Не разглобявайте, не загревайте над 100 °C или не изгаряйте. Дръжте акумулаторната батерия извън обсега на деца и в оригиналната опаковка докато не е готова за употреба. Незабавно изхвърляйте употребявани акумулаторни батерии в съответствие с местните регулации за рециклиране или отпадъци.

ИНСТРУКЦИИ ЗА БЕЗОПАСНОСТ

Тази страница изобразява и описва символите за безопасност, които може да се появят по този продукт. Прочетете, осъзнайте и следвайте всички инструкции по машината преди предприемане на сглобяване или работа.



Сигнал за безопасност



За намаляване на опасността от нараняване, потребителят трябва да прочете ръководството на оператора.



Никога не пръскайте себе си, другите, животните, източниците на хранене или самия уред.



Този продукт е в съответствие с приложимите директиви на ЕС.



Не свързвайте към водопроводната мрежа за питейна вода.



Оценено съответствие за Великобритания.



Отпадъчните електрически продукти не трябва да бъдат изхвърляни заедно с домакинския отпадък. Отнесете го до упълномощено място за рециклиране.



Налягане на водата

BG



Дебит на водата



Работна температура



Постоянен ток

kg

Килограм

V Напрежение

MPa Мегапаскал

°C Целзий

L/min Литри в минута

IPX5 Защита от водни струи

⚠ ПРЕДУПРЕЖДЕНИЕ: Прочетете и разберете всички инструкции, преди да използвате машината. Неспазването на всички инструкции изброени долу може да доведе до електрически шок, пожар и/или сериозно нараняване.

⚠ ПРЕДУПРЕЖДЕНИЕ: При използване на водоструйки с високо налягане може да се образуват аерозоли. Вдишването на аерозоли може да бъде опасно за здравето.

⚠ ПРЕДУПРЕЖДЕНИЕ: Струите с високо налягане могат да бъдат опасни при неправилна употреба. Струята не трябва да се насочва към хора, електрическо оборудване под напрежение или самата машина.

⚠ ПРЕДУПРЕЖДЕНИЕ: Не използвайте машината в близост до хора, освен ако те не носят защитно облекло.

⚠ ПРЕДУПРЕЖДЕНИЕ: Не насочвайте струята срещу себе си или други хора, за да почистите дрехи или обувки.

⚠ ПРЕДУПРЕЖДЕНИЕ: Опасност от експлозия - Не пръскайте запалими течности.

⚠ ПРЕДУПРЕЖДЕНИЕ: Водоструйките под високо налягане не трябва да се използват от деца или необучен персонал.

⚠ ПРЕДУПРЕЖДЕНИЕ: Маркучите, фитингите и съединителите за високо налягане са важни за безопасността на машината.

⚠ ПРЕДУПРЕЖДЕНИЕ: Водата, която е потекла през предпазителите от обратен поток, се счита за непитейна.

⚠ ПРЕДУПРЕЖДЕНИЕ: Не използвайте машината, ако важни части на машината са повредени, напр. предпазни устройства, маркучи за високо налягане, къс пистолет под налягане.

⚠ ПРЕДУПРЕЖДЕНИЕ: В зависимост от приложението, екранирани дюзи могат да се използват за почистване под високо налягане, което значително намалява емисиите на хидроаерозоли. Не всички приложения обаче позволяват използването на такова устройство. Ако за защита от аерозоли не са

приложими екранирани дюзи, може да е необходима респираторна маска от клас FFP 2 или еквивалентна, в зависимост от средата на почистване.

- Това устройство не е предназначено за употреба от лица (включително деца) с намалени физически, сензорни или умствени възможности или с недостатъчен опит и знания. Децата трябва да бъдат наблюдавани за да се осигури, че не си играят с уреда.
- Научете как да спирате продукта и да намалявате налягането бързо. Запознайте се напълно с управлението.
- Предотвратете непреднамерено пускане. Уверете се, че ключът е в изключена позиция, преди да свържете към акумулаторната батерия, при повдигане или при пренасяне на уреда. Носене на уреда, докато пръстът ви е на превключвателя или подаването на захранване на уреди, които са включен прекъсвач, е предпоставка за инциденти.
- При работа с пистолета винаги имайте предвид опасността от силата на реакцията и внезапния въртящ момент върху пръскащия възел.
- Не излагайте уреда или батерията на прекомерни температури.
- Имайте предвид риска от късо съединение на изводите на уреда работещ с батерии или батерията от метални предмети.
- Акумулаторните батерии трябва да се извадят от уреда преди зареждане.
- Не трябва да се смесват различни видове батерии или нови и употребявани батерии.
- Изтощените батерии трябва да се извадят от уреда и да се изхвърлят безопасно
- Ако уредът трябва да се съхранява без употреба продължително време, батериите трябва да бъдат извадени.
- Не използвайте незареждащи се батерии вместо презареждащи се батерии.
- Не използвайте модифицирани или повредени батерии.
- Използвайте само с посочените акумулаторни батерии и зарядни устройства.

Запазете тези инструкции. Обръщайте се често към тях и ги използвайте за инструктиране на други, които може да използват тази машина. Ако заемете тази машина на някого, вземете им и тези инструкции, за да се предотврати злоупотреба с продукта и евентуално нараняване.

БЕЛЕЖКА: Вибрационните емисии по време на действителната употреба на електрическия инструмент може да се различават от декларираната стойност. С цел да се защити оператора, потребителят трябва да носи ръкавици и антифони в действителни условия на работа.

СПЕЦИФИКАЦИИ

Напрежение	56 V
Максимално номинално налягане	135 бара
Максимален номинален дебит (със свързване на бързо свързващ се накрайник и прът от неръждаема стомана)	6,5 л/мин
Максимален номинален дебит (само при свързан къс пистолет за налягане)	9,5 л/мин
Гранично максимално налягане за пистолета	250 бара
Граничен максимален дебит за пистолета	30 л/мин
Тегло (без акумулаторна батерия)	16,8 кг
Препоръчителна работна температура	5°C – 40°C
Препоръчителна температура на съхранение	-20°C – 70°C
Измерено ниво на сила на звука L_{WA}	84 dB(A) K=1,8 dB(A)
Ниво на звуково налягане при ухото на оператора L_{PA}	72 dB(A) K=3 dB(A)
Гарантирано ниво на сила на звука L_{WA} (измерено съгласно 2000/14/EC)	86 dB(A)
Вибрации при n	3,6 m/s ² K=0,9 m/s ²

- Декларираният общ размер на вибрации е измерен в съответствие със стандартния метод за тест и може да бъде използван за сравнение между два инструмента;
- Декларираният общ размер на вибрации може също така да бъде използван за предварителна оценка на влиянието.

ПРЕПОРЪЧИТЕЛНИ АКСЕСОАРИ

⚠ ПРЕДУПРЕЖДЕНИЕ! Използвайте само изброените по-долу аксесоари. Употребата на аксесоари, които не съответстват със спецификациите на стандартното оборудване, могат да доведат до неправилна работа и компрометирана безопасност.

ИМЕ НА ЧАСТ	НОМЕР НА МОДЕЛ
Премиум оръдие за пяна	AFC2000E
Турбо дюза	ANZ2000E-T
15° дюза	ANZ2015E
25° дюза	ANZ2025E
40° дюза	ANZ2040E
Дюза за промиване	ANZ2000E-R

ОПАКОВЪЧЕН ЛИСТ (ФИГ. А1)

ОПИСАНИЕ

ЗАПОЗНАЙТЕ СЕ С ВАШАТА ВОДОСТРУЙКА (фиг. А1)

1. Телескопична ръкохватка
2. Бутон за заключване на ръкохватката
3. Горна скоба на държача
4. Колело (x2)
5. Долна скоба на държача
6. Входен порт за вода
7. Изходен порт за вода
8. Бутон за скоростта
9. Индикатор за скоростта
10. Бутон за електрозахранване
11. Отделение за акумулаторната батерия
12. Отделение за съхранение на дюзи
13. Капак на отделението за акумулаторната батерия
14. Електрически контакти
15. Механизъм за изваждане
16. Бутон за освобождаване на батерията
17. Ремък за държач на маркуч

BG

18. Прът от неръждаема стомана
19. Накрайник с бърза връзка
20. Маркуч за високо налягане
21. Сифонен маркуч
22. Комплект бързи съединители (x2)
23. Оръдие за пяна
24. Филтър
25. Игла за почистване на дюзата
26. Дюза за изплакване
27. 40° дюза
28. 25° дюза
29. 15° дюза
30. Дюза ТУРБО
31. Къс пистолет за налягане
32. Капак на акумулаторната батерия
33. Индикатор за заряд с 5 светодиода
34. Индикатор за скоростта
35. Бутон за скоростта
36. Ръкохватка на пистолета
37. Спусък
38. Бутон за отключване

МОНТАЖ

МОНТАЖ НА ВЪЗЕЛА НА СКОБАТА НА ДЪРЖАЧА (фиг. В)

В-1	Горна скоба на държача	В-2	Долна скоба на държача
В-3	Винтове		

СВЪРЗВАНЕ НА МАРКУЧА ЗА ВИСОКО НАЛЯГАНЕ (фиг. С - фиг. D)

Можете да свържете маркуча за високо налягане по един от следните начини:

- Свържете маркуча за високо налягане към отвора за изпускане на вода и пистолета директно с помощта на съединители с резба (фиг. С1 - фиг. С2);
- Свържете маркуча за високо налягане към отвора за изпускане на вода и пистолета с помощта на два комплекта бързи съединители, за да постигнете лесен монтаж/демонтаж (фиг. D1 - фиг. D2).

BG

БЕЛЕЖКА: Комплектите бързи съединители са монтирани фабрично на изходящия отвор за вода, маркуча за високо налягане и пистолета.

СВЪРЗВАНЕ НА НАКРАЙНИКА И ПРЪТА (фиг. E1 - фиг. E2)

За да се разкачите, развийте пръта от крайника и след това я издърпайте; разхлабете копчето на крайника и след това издърпайте назад външния

пръстен на бързата връзка на пистолета, за да извадите крайника.

▲ ПРЕДУПРЕЖДЕНИЕ: Винаги дръжте пистолета с една ръка, а крайника - с другата, когато разединявате крайника от пистолета. При падане на крайника може да се стигне до нараняване.

СВЪРЗВАНЕ НА ДЮЗА (фиг. F1 / фиг. F2)

БЕЛЕЖКА: Дюзите не могат да се свързват към крайника.

- Изберете 15° дюза, 25° дюза, 40° дюза или дюзата Турбо, за да я монтирате на пръта (фиг. F1).

F1-1	15° дюза	F1-2	25° дюза
F1-3	40° дюза	F1-4	Дюза ТУРБО

- Дюзата за изплакване е свързана директно към пистолета (фиг. F2).

F2-1	Дюза за изплакване
------	--------------------

▲ ПРЕДУПРЕЖДЕНИЕ: Винаги дръжте пистолета с една ръка, а дюзата - с другата, когато разединявате дюзата от пистолета. Ако дюзата отскочи, може да се стигне до нараняване.

Използвайте таблицата по-долу, за да изберете правилната дюза за работа.

Избор на дюза	Приложения
Жълта 15° дюза	Почиствайте малки метални, бетонни или дървени повърхности.
Зелена 25° дюза	Почиствайте по-големи метални, бетонни или дървени повърхности.
Бяла 40° дюза	Почиствайте широки метални, бетонни, дървени или винилови повърхности.
Сива дюза за изплакване	Изплаквайте автомобили. Изплаквайте препаратите от метал, бетон, дърво или винил.
Дюза Турбо	Почиствайте само твърди повърхности. За да предотвратите увреждане на повърхността, не използвайте върху автомобили и дървени повърхности.

СВЪРЗВАНЕ НА ОРЪДИЕТО ЗА ПЯНА (фиг. G)

Оръдието за пяна е свързано директно с пистолета.

За да разедините, издърпайте назад външния пръстен на бързия съединител и след това издърпайте оръдието за пяна.

СВЪРЗВАНЕ НА СИФОННИЯ МАРКУЧ (фиг. H1 - фиг. H2)

Когато използвате кофа за вода (не е предоставена) като източник на вода, свържете водоструйката към сифонния маркуч.

БЕЛЕЖКА: Предварително напълнете кофата, така че при потапяне филтърът да не изплува на повърхността.

СВЪРЗВАНЕ КЪМ ГРАДИНСКИ МАРКУЧ (НЕ Е В КОМПЛЕКТА)

Когато използвате водопроводен кран (не е в комплекта) като източник на вода, свържете водоструйката към градински маркуч (не е в комплекта).

ЕКСПЛОАТАЦИЯ

ПРИЛОЖЕНИЕ

Може да използвате този продукт за целите описани долу:

- Почистване на замърсявания по автомобили, стени, подове и др.

МОНТИРАНЕ/ИЗВАЖДАНЕ НА АКУМУЛАТОРНАТА БАТЕРИЯ

Използвайте единствено акумулаторни батерии EGO и зарядни устройства изброени във Фиг. A2.

Обърнете се към съответните ръководства за батерии и зарядни устройства за повече подробности.

Заредете напълно преди първата употреба.

БЕЛЕЖКА: Използването на една акумулаторна батерия няма да ви позволи да постигнете **TURBO скорост**. За най-добра производителност силно препоръчваме използването на две акумулаторни батерии с капацитет 5,0 Ah или повече.

1. Повдигнете капака на отделението за батерии, като повдигнете предната част на капака.
2. **За закрепване:** Подравнете ребрата на акумулаторната батерия с монтажните жлебове и натиснете батерията надолу, докато чуете "щракване" Прикрепете другата батерия (фиг. I1).

3. **За откачване:** натиснете бутона за освобождаване на батерията и издърпайте акумулаторната батерия навън (Фиг. I2).

I2-1	Бутон за освобождаване на батерията
------	-------------------------------------

4. Затворете капака на отделението за батерията.

СТАРТИРАНЕ/СПИРАНЕ НА ВОДОСТРУЙКАТА (фиг. J)

За стартиране на водоструйката

БЕЛЕЖКА: Не стартирайте водоструйката, без да е свързано и включено подаването на вода. Това може да повреди уплътненията за високо налягане и да намали живота на помпата.

1. Уверете се, че маркучът за сифон, маркучът за високо налягане, пистолетът и дюзата са свързани правилно.
2. Свържете крайника, пръта, оръдието за пяна, филтъра според нуждите си.
3. Изберете един от следните начини за захранване с вода:
 - Когато използвате градински маркуч (не е в комплекта), свържете водоструйката към градинския маркуч и след това отворете крана за вода.
 - Когато използвате кофа за вода, свържете филтъра към сифонния маркуч и след това потопете филтъра и съединителя за бързо свързване изцяло в кофата за вода.
4. Монтирайте акумулаторната(ите) батерия(и).
5. Натиснете бутона за включване, за да включите водоструйката. След всяко стартиране водоструйката винаги работи на висока скорост.

БЕЛЕЖКА: Когато водоструйката е включена, но не се извършват никакви други действия, тя ще се изключи автоматично след 5 минути в режим на готовност. През първите няколко минути на готовност индикаторът за скоростта на водоструйката ще мига с три зелени светлини, което показва, че в сифонния маркуч не тече вода.

6. Дръжте пистолета с двете си ръце, натиснете отключващата страна на бутона за заключване и след това натиснете спусъка, докато се получи постоянен воден поток.

БЕЛЕЖКА: Ако крайникът е свързан, дръжте пистолета с една ръка, а крайника - с другата.

7. Започнете да миете с пръскане.

BG

БЕЛЕЖКА: Възможно е да е необходимо известно време, за да може водата да премине от източника и да излезе от дюзата като равномерна струя. За да постигнете бързо равномерен воден поток, може да искате да:

- Извадите дюзата.
- Натиснете спусъка и изчакайте, докато от пръта започне да излиза равномерна водна струя.
- Освободите спусъка и монтирайте отново дюзата.

За спиране на водоструйката

- След приключване на миенето освободете спусъка и натиснете бутона за заключване, за да заключите позицията.
- Натиснете бутона за захранване, за да изключите водоструйката.
- Затворете крана за вода или извадете сифонния маркуч от кофата за вода.
- Натиснете бутона за заключване на пистолета в положение за отключване и натиснете спусъка, за да изпразните водата от маркучите.

БЕЛЕЖКА: Пистолетът, маркучите, прътите, дюзите или оръдието за пяна не трябва да се разединяват, докато водата остава в маркучите.

- Разединете и извадете пистолета, маркучите, пръчките, дюзите или оръдието за пяна.
- Натиснете бутона за захранване, за да включите водоструйката и да изпразните водата в нея.
- Натиснете отново бутона за захранване, за да изключите водоструйката.
- Премахнете акумулаторната(ите) батерия(и).

ДИСТАНЦИОННО УПРАВЛЕНИЕ

Пистолетът може да се сдвои с водоструйката, за да функционира като дистанционно управление.

Сдвояване на късия пистолет за налягане (фиг. К)

- Поставете акумулаторната(ите) батерия(и) и включете водоструйката.
- Натиснете продължително бутона за скоростта на водоструйката, докато трите му зелени светлини започнат да мигат.

БЕЛЕЖКА: Мигането ще продължи приблизително 20 сек., така че пистолетът може да бъде сдвоен само през това време. Можете също така да натиснете за кратко бутона за скоростта на водоструйката, за да излезете от режима на сдвояване по всяко време.

- Натиснете продължително бутона за скоростта на пистолета, докато трите му зелени светлини започнат да мигат, което означава, че процесът на сдвояване е започнал.

БЕЛЕЖКА: Мигането, показващо процеса на сдвояване, ще продължи около 10 сек. Можете да натиснете кратко бутона за скоростта на пистолета, за да прекратите процеса на сдвояване по всяко време.

- Индикаторите за скоростта на водоструйката и пистолета ще покажат три зелени светлини заедно за 3 s, за да покажат, че сдвояването е успешно, след което ще покажат две зелени светлини.
- Ако сдвояването е неуспешно, индикаторите за скоростта на водоструйката и пистолета ще мигат с три зелени светлини и след това ще изгаснат.

Използване на дистанционното управление

След като сдвояването приключи, натиснете веднъж бутона за скоростта на пистолета, 5-LED индикаторът за гориво и индикаторът за скоростта ще светнат. Натиснете отново бутона за скоростта, за да промените скоростта.

БЕЛЕЖКА:

- 5-LED индикаторът за гориво и индикаторът за скоростта се изключват, когато в рамките на 10 сек. не се извърши никакво действие върху бутона за скоростта на пистолета.
- 5-LED индикаторът за горивото показва нивото на зареждане на батерията. Когато са инсталирани две акумулаторни батерии, той показва нивото на акумулаторната батерия с по-висок заряд.
- Индикаторът за скоростта на пистолета винаги е синхронизиран с индикатора за скоростта на водоструйката.

ИЗБОР НА СКОРОСТ

- Скоростта на водоструйката може да се регулира чрез бутона за скорост на водоструйката или на сдвояния пистолет.
- Скоростта на водоструйката може да се регулира при включване на водоструйката или по време на пръскане.
- При всяко натискане на бутона за скоростта се превключва между високо ниво, ниво TURBO и ниско ниво. Индикаторът за скоростта показва една зелена светлина, две зелени светлини или три зелени светлини, за да покаже, че водоструйката работи съответно на ниска скорост, висока скорост или TURBO.

БЕЛЕЖКА: Когато е поставена само една акумулаторна батерия, скоростта TURBO не може да бъде достигната и при всяко натискане на бутона за скорост скоростта ще се превключва между високо и ниско ниво.

БЕЛЕЖКА: Ако водоструйката продължава да работи на TURBO скорост, това може да се отрази на времето за работа с едно зареждане.

ПОЧИСТВАНЕ С ПРЕПАРАТ

⚠ ПРЕДУПРЕЖДЕНИЕ! Използвайте само препарати, специално произведени за употреба с водоструйки. Спазвайте инструкциите за прилагане, изхвърляне и безопасност на производителя на препарата.

1. Завъртете бутилката на оръдието за пяна по посока, обратна на часовниковата стрелка, и я отстранете (фиг. L1).
2. Налейте препарата в бутилката.

БЕЛЕЖКА: Температурата на препарата не трябва да надвишава 60°C.

3. Поставете на мястото си оръдието за пяна и го свържете с бързия съединител на пистолета.
4. Завъртете копчето за препарата, за да регулирате количеството препарат, добавено към водния поток, според нуждите си (фиг. L2).

ПОДДРЪЖКА

⚠ ПРЕДУПРЕЖДЕНИЕ! За да предотвратите сериозно нараняване, извадете акумулаторната батерия от продукта, преди обслужване, почистване, смяна на приставките или изваждане на материал от устройството.

ОБЩА ПОДДРЪЖКА

Избягвайте употребата на разтворители, когато почиствате пластмасовите части. Повечето пластмасови части са уязвими на повреда от различни видове разтворители в търговската мрежа и може да се повредят от тяхната употреба. Използвайте чиста кърпа за премахване на мръсотия, прах, масло, грес и т.н.

⚠ ПРЕДУПРЕЖДЕНИЕ! Никога не допускайте спирална течност, бензин, петролни продукти, проникващи масла и т.н. да влизат в контакт с пластмасовите части. Химикалите могат да повредят, отслабят или разрушат пластмаса, което може да доведе сериозно нараняване.

⚠ ПРЕДУПРЕЖДЕНИЕ! За да намалите риска от пожар, нараняване и повреда на продукта поради късо съединение, никога не потапяйте вашата машина, акумулаторна батерия или зарядно устройство в течност и не позволявайте течност да влезе в тях. Корозивни или проводими течности, като морска вода, определени индустриални химикали и белина или продукти, съдържащи белина и др., могат да причинят късо съединение.

ЗАМЯНА НА КРЪГЛАТА КЛЕТЪЧНА БАТЕРИЯ (фиг. M1&M2)

⚠ ПРЕДУПРЕЖДЕНИЕ! Дръжте далеч от обсега на деца. Поглъщането може да доведе до химически изгаряния, перфорация на меки тъкани и смърт. Тежки изгаряния могат да настъпят в рамките на 2 часа след поглъщане. Незабавно потърсете медицинска помощ.

ЗАБЕЛЕЖКА: Никога не натискайте батерията директно в отделението (фиг. M3). В противен случай двете щипки ще се повредят, което ще доведе до повреда на дистанционното управление на пистолета.

M3-1	Скоби
------	-------

ЗАБЕЛЕЖКА: Ремонтирайте пистолета с водоструйката след подмяна на кръглата клетъчна батерия, като следвате инструкциите в раздел "Сдвояване на късия пистолет под налягане".

ПОЧИСТВАНЕ НА ФИЛТРИТЕ

- Отвийте и отстранете копчето на отвора за подаване на вода, след което извадете металната цедка от отвора за подаване на вода, изплакнете металната цедка или я сменете, ако е необходимо (фиг. N1).

N1-1	Метална цедка
------	---------------

- Отстранете филтъра от сифонния маркуч, извадете филтъра, след което го изплакнете добре (фиг. N2).

ПОЧИСТВАНЕ НА ДЮЗИТЕ (фиг. O)

Когато отворите на дюзите са запушени, можете да използвате предоставената игла за почистване на дюзи, за да преминете през отворите и да отстраните запушването.

ТРАНСПОРТИРАНЕ НА ВОДОСТРУЙКАТА (фиг. P)

Натиснете бутона за заключване на ръкохватката и след това издърпайте телескопичната ръкохватка до първото ниво на дължина, докато чуете "щракване". Ако желаете, можете да натиснете бутона за заключване на ръкохватката и след това да издърпате телескопичната ръкохватка до второто ниво на дължина.

СПИРАНЕ НА ВОДОСТРУЙКАТА

1. Спрете водоструйката, освободете налягането, изпразнете водата и извадете акумулаторната батерия от водоструйката, като следвате инструкциите в раздела "**Спиране на водоструйката**".
2. Съхранявайте дюзите в зоната за съхранение на дюзите на водоструйката (фиг. Q1).
3. Навийте маркуча за високо налягане и го приберете зад телескопичната ръкохватка (фиг. Q2).
4. Съхранявайте пистолета и възела на накрайника и пръта в скобите на държача или изключете пистолета и го съхранявайте в горните скоби на държача (фиг. Q3).
5. Почистете водоструйката старателно, преди да я приберете.
6. Съхранете водоструйката на сухо място с добра вентилация, заключена или съхранявана на високо извън достъпа на деца. Не съхранявайте водоструйката в близост или върху тор, бензин или други химикали.

Опазване на околната среда



Не изхвърляйте електрическо оборудване, използвана батерия или зарядно устройство в домакинския отпадък! Отнесете продукта до упълномощена фирма за рециклиране и го предоставете за разделно събиране. Електрическите инструменти трябва да бъдат връщани в съоръжения за рециклиране съвместими с околната среда.

ОТСТРАНЯВАНЕ НА ПРОБЛЕМИ

ПРОБЛЕМ	ПРИЧИНА	РЕШЕНИЕ
Водоструйката не може да се включи.	<ul style="list-style-type: none"> ■ Нивото на зареждане на акумулаторната батерия е ниско. ■ Акумулаторната батерия не е монтирана правилно. 	<ul style="list-style-type: none"> ■ Заредете акумулаторната батерия. ■ Плъзнете акумулаторната батерия в отделението за батериите, докато щракне на място.
Скоростта TURBO не може да бъде активирана.	<ul style="list-style-type: none"> ■ За работата на водоструйката се използва само една акумулаторна батерия. 	<ul style="list-style-type: none"> ■ Използвайте две акумулаторни батерии с капацитет 5,0 Ah или повече.
Помпата на водоструйката спира да работи и индикаторът за скоростта на водоструйката мига с три зелени светлини.	<ul style="list-style-type: none"> ■ Водоструйката или акумулаторната(ите) батерия(и) са с превишена температура. ■ Дюзата е блокирана. ■ В сифонния маркуч не постъпва вода. ■ Нивото на зареждане на акумулаторната батерия е ниско. ■ Други електронни неизправности. 	<ul style="list-style-type: none"> ■ Изчакайте, докато водоструйката или акумулаторната(ите) батерия(и) се върнат към работната температура, и след това рестартирайте водоструйката. ■ Използвайте иглата за почистване на дюзите, за да преминете през отворите. ■ Проверете и се уверете, че в сифонния маркуч тече правилно вода. ■ Заредете акумулаторната батерия. ■ Свържете се с центъра за обслужване на клиенти на EGO.
Дебитът на водата е малък по време на пръскане.	<ul style="list-style-type: none"> ■ Филтърът е блокиран частично. ■ Металната цедка в отвора за подаване на вода е частично блокирана. ■ Филтърът и съединението за бързо свързване на сифонния маркуч не са потопени изцяло във водата. ■ Сифонният маркуч е прегънат. ■ Водата е мръсна. ■ Маркучът за високо налягане е блокиран. 	<ul style="list-style-type: none"> ■ Почистете филтъра. ■ Извадете и почистете металната цедка. ■ Потопете изцяло филтъра и съединението за бързо свързване във водата. ■ Разгънете сифонния маркуч или го сменете. ■ Използвайте само чиста вода. ■ Отстранете дюзата и започнете да пръскате вода от маркуча, за да отстраните запушването на маркуча.

BG

ПРОБЛЕМ	ПРИЧИНА	РЕШЕНИЕ
Не се разпръсква вода.	<ul style="list-style-type: none"> ■ Няма подаване на вода. ■ Филтърът е напълно блокиран. ■ Металната цедка в отвора за подаване на вода е напълно блокирана. ■ Дюзата е блокирана. ■ Помпата, маркучите или други компоненти са замръзнали. 	<ul style="list-style-type: none"> ■ Проверете и се уверете, че водоструйката е свързана правилно към водоснабдяването. ■ Почистете филтъра. ■ Извадете и почистете металната цедка. ■ Използвайте иглата за почистване на дюзите, за да преминете през отворите. ■ Изчакайте, докато се размразят.
Водният поток не е стабилен.	<ul style="list-style-type: none"> ■ Въздух навлиза във водоструйката. ■ Уплътненията на помпата са износени. 	<ul style="list-style-type: none"> ■ Проверете и се уверете, че сифонният маркуч е свързан правилно. ■ Свържете се с центъра за обслужване на клиенти на EGO.
Разпръскването на вода започва или спира автоматично.	<ul style="list-style-type: none"> ■ Маркучът за високо налягане е повреден. ■ От пистолета има изтичане на вода. ■ Уплътненията на помпата и маркуча са износени. 	<ul style="list-style-type: none"> ■ Заменете с нов маркуч за високо налягане. ■ Свържете се с центъра за обслужване на клиенти на EGO. ■ Свържете се с центъра за обслужване на клиенти на EGO.
Пистолетът не може да контролира водоструйката.	<ul style="list-style-type: none"> ■ Позицията на пистолета е извън обхвата на безжичната връзка. ■ Зарядът на кръглата батерия (клетъчната батерия) е нисък. ■ Пистолетът не е сдвоен правилно. ■ Кръглата клетъчна батерия не е монтирана правилно. 	<ul style="list-style-type: none"> ■ Приближете пистолета до водоструйката. ■ Заменете батерията с нова кръгла батерия (клетъчна батерия). ■ Извършете сдвояването, като следвате инструкциите в раздел "Сдвояване на къс пистолет за налягане". ■ Монтирайте кръглата клетъчна батерия, като следвате инструкциите в раздел "ЗАМЯНА НА КРЪГЛАТА КЛЕТЪЧНА БАТЕРИЯ".

ГАРАНЦИЯ

ГАРАНЦИОННА ПОЛИТИКА EGO

Моля, посетете уебсайта egopowerplus.eu за пълните срокове и условия по гаранционната политика на EGO.

PROČITAJTE UPUTE U CIJELOSTI!



PROČITAJTE KORISNIČKI PRIRUČNIK.

⚠ UPOZORENJE: Radi sigurnosti i pouzdanosti, sve popravke treba obavljati kvalificirani servisni tehničar.

SIMBOL SIGURNOSTI

Svrha simbola sigurnosti je skretanje pozornosti na moguće opasnosti. Simboli sigurnosti i njihova objašnjenja zahtijevaju vašu potpunu pozornost i razumijevanje. Simboli upozorenja ne isključuju opasnost sami po sebi. Upute i upozorenja koja pružaju nisu zamjena za propisne mjere za prevenciju nesreća.

⚠ UPOZORENJE: Prije upotrebe stroja sve upute u ovom korisničkom priručniku, uključujući sve sigurnosne simbole kao što su „OPASNOST“, „UPOZORENJE“ i „OPREZ“ pročitajte s razumijevanjem. Zanemarivanje uputa navedenih u nastavku može rezultirati strujnim udarom, požarom i/ili teškim tjelesnim ozljedama.

⚠ UPOZORENJE: Opasnost od požara i opekline. Nemojte rastavljati, zagrijavati na temperature iznad 100 °C ili spaljivati. Bateriju držite izvan dohvata djece i u originalnom pakiranju dok ne bude spremna za uporabu. Iskorištene baterije odmah odložite u skladu s lokalnim propisima za reciklažu ili odlaganje otpada.

SIGURNOSNE NAPOMENE

Na ovoj stranici slikovno su prikazani i objašnjeni sigurnosni simboli koji se mogu pojaviti na ovom proizvodu. Prije sastavljanja i rukovanja s razumijevanjem pročitajte sve upute na stroju i pridržavajte ih se.



Simbol upozorenja



Radi smanjenja opasnosti od ozljeda korisnik treba pročitati korisnički priručnik.



Nemojte prskati sebe, druge, životinje, izvore energije ili sami uređaj.



Ovaj proizvod je u skladu s važećim direktivama EU.



Nemojte spajati na dovod pitke vode.



Ispitana sukladnost u Velikoj Britaniji



Otpadni električni proizvodi ne smiju se odlagati s otpadom iz kućanstva. Odnosite ih u ovlašten centar za recikliranje.



Tlak vode



Protok vode



Radna temperatura



Istosmjerna struja

kg Kilogram

V Napon

MPa Megapaskal

°C Celzij

L/min Litre u minuti

IPX5 Zaštita od vodenih mlazova

HR

⚠ UPOZORENJE: Prije uporabe stroja s razumijevanjem pročitajte sve upute. Zanemarivanje uputa navedenih u nastavku može rezultirati strujnim udarom, požarom i/ili teškim tjelesnim ozljedama.

⚠ UPOZORENJE: Tijekom uporabe visokotlačnih uređaja za pranje mogu se stvoriti aerosoli. Udisanje aerosola može biti opasno za zdravlje.

⚠ UPOZORENJE: Visokotlačni mlaz može biti opasan ako se pogrešno koristi. Mlaz se ne smije usmjeravati na osobu, električnu opremu pod naponom ili sam stroj.

⚠ UPOZORENJE: Nemojte upotrebljavati stroj u blizini osoba ako one ne nose zaštitnu odjeću.

⚠ UPOZORENJE: Nemojte usmjeravati mlaz prema sebi ili drugima kako biste očistili odjeću ili obuću.

⚠ UPOZORENJE: Opasnost od eksplozije – nemojte prskati zapaljive tekućine.

⚠ UPOZORENJE: Visokotlačne uređaje za pranje ne smiju koristiti djeca ili neobučeno osoblje.

⚠ UPOZORENJE: Visokotlačna crijeva, priključci i spojnice važni su za sigurnost stroja.

⚠ UPOZORENJE: Voda koja je prošla kroz prepreke povratnog toka smatra se nepitkom.

⚠ UPOZORENJE: Nemojte koristiti stroj ako su oštećeni važni dijelovi, npr. sigurnosni uređaji, visokotlačna crijeva, kratkotlačni pištolj.

⚠ UPOZORENJE: Ovisno o primjeni, zaštitne mlaznice mogu se koristiti za visokotlačno čišćenje, što će dramatično smanjiti emisiju vodenih aerosola. Međutim, ne dopuštaju sve primjene korištenje takvog uređaja. Ako se zaštitne mlaznice ne mogu koristiti za zaštitu od aerosola, možda će biti potrebna maska za disanje klase FFP 2 ili ekvivalentna, ovisno o okruženju čišćenja.

- Nije predviđeno da stroj upotrebljavaju osobe (uključujući djecu) s ograničenim fizičkim, osjetilnim ili metalnim sposobnostima ili nedostatkom iskustva ili znanja. Djeca moraju biti pod nadzorom kako se ne bi igrala uređajem.
- Naučite kako zaustaviti proizvod i brzo ispustiti tlak. Dobro se upoznajete se s upravljačkim elementima.
- Spriječite nenamjerno pokretanje. Prije povezivanja uređaja na baterijski modul, podizanja ili njegovog nošenja, provjerite nalazi li se sklopka u isključenom položaju. Nošenje uređaja s prstom na sklopci ili uključivanje napajanja uređaja koji imaju uključenu sklopku izaziva nezgode.
- Budite stalno svjesni opasnosti od sile reakcije i iznenadnog zakretnog momenta na sklopu raspršivača tijekom rada s pištoljem.

- Ne izvodite uređaj ili bateriju previsokim temperaturama.
- Imajte na umu opasnost od kratkog spoja priključaka baterijskog uređaja ili baterija metalnim predmetima.
- Punjive baterije moraju se izvaditi iz uređaja prije punjenja.
- Ne smiju se zajedno koristiti različite vrste baterija ili nove i rabljene baterije.
- Ispražnjene baterije treba izvaditi iz uređaja i sigurno zbrinuti.
- Ako se uređaj treba uskladištiti i neće se upotrebljavati duže vrijeme, baterije se moraju ukloniti.
- Ne koristite baterije koje se ne mogu puniti umjesto punjivih baterija.
- Ne koristite preinačene ili oštećene baterije.
- **Upotrebljavajte isključivo preporučene baterijske module i punjače.**

Sačuvajte ove upute. Uputama se koristite često i upotrebljavajte ih za upućivanje drugih osoba koje mogu upotrebljavati ovaj stroj. Ako ovaj stroj nekom posudite, posudite i ove upute radi sprečavanja neispravnog korištenja proizvoda i mogućih ozljeda.

TEHNIČKI PODACI

Napon	56 V 
Maksimalni nazivni tlak	135 Bar
Maksimalni nazivni protok (s priključkom za brzo spajanje i spojenom cijevi od nehrđajućeg čelika)	6,5 L/min
Maksimalni nazivni protok (samo sa spojenim kratkotlačnim pištoljem)	9,5 L/min
Ograničeni maksimalni tlak za pištolj	250 bara
Ograničeni maksimalni protok za pištolj	30 l/min
Težina (bez baterijskog modula)	16,8 kg
Preporučena radna temperatura	5 °C – 40 °C
Preporučena temperatura skladištenja	-20 °C – 70 °C

Izmjerena razina zvučne snage L_{WA}	84 dB(A) K=1,8 dB(A)
Razina zvučnog tlaka kod uha rukovatelja L_{PA}	72 dB(A) K=3 dB(A)
Zajamčena razina zvučne snage L_{WA} (izmjereno u skladu s 2000/14/EZ)	86 dB(A)
Vibracija a_h	3,6 m/s ² K=0,9 m/s ²

- Deklarirane ukupne vrijednosti vibracija izmjerene su u skladu sa standardnom metodom ispitivanja i mogu se koristiti za usporedbu jednog alata s drugim.
- Deklarirane ukupne vrijednosti vibracija mogu se koristiti i u preliminarnoj procjeni izloženosti.

OPAVIJEST: Emisija vibracija tijekom aktualnog korištenja električnog alata može se razlikovati od deklarirane vrijednosti u kojoj se alat koristi; Radi zaštite rukovatelja korisnik treba nositi rukavice i štittnike za uši u aktualnim uvjetima korištenja.

PREPORUČENA DODATNA OPREMA

⚠ UPOZORENJE: Koristite samo dodatnu opremu navedenu u nastavku. Korištenje dodatne opreme koja nije u skladu s tehničkim podacima za izvornu opremu može rezultirati nepravilnim radom i smanjenom sigurnošću.

NAZIV DIJELA	BROJ MODELA
Premium pjena Cannon	AFC2000E
Turbo mlaznica	ANZ2000E-T
Mlaznica 15°	ANZ2015E
Mlaznica 25°	ANZ2025E
Mlaznica 40°	ANZ2040E
Mlaznica za ispiranje	ANZ2000E-R

OTPREMNICA (SL. A1)

OPIS

UPOZNAJTE VISOKOTLAČNI PERAČ (sl. A1)

1. Teleskopska ručka
2. Gumb za blokadu ručke
3. Nosač gornjeg držača
4. Kotač (x2)
5. Nosač donjeg držača
6. Priključak za dovod vode
7. Priključak za odvod vode
8. Gumb za brzinu
9. Indikator brzine
10. Gumb napajanja
11. Pretinac baterijskog modula
12. Prostor za skladištenje mlaznice
13. Poklopac pretinca baterijskog modula
14. Električni kontakti
15. Mehanizam za izbacivanje
16. Gumb za oslobađanje baterije
17. Remen za držanje crijeva
18. Cijev od nehrđajućeg čelika
19. Priključak za brzo spajanje
20. Visokotlačno crijevo
21. Sifonsko crijevo
22. Komplet brze spojnice (x2)
23. Top za pjenu
24. Filter
25. Igla za čišćenje mlaznice
26. Mlaznica za ispiranje
27. Mlaznica 40°
28. Mlaznica 25°
29. Mlaznica 15°
30. TURBO mlaznica
31. Kratkotlačni pištolj
32. Poklopac baterijskog pretinca
33. Pokazivač napajanja s 5 LED svjetala
34. Indikator brzine
35. Gumb za brzinu
36. Drška pištolja
37. Okidač
38. Gumb za deblkadu

SASTAVLJANJE

UGRADNJA SKLOPA NOSAČA DRŽAČA (sl. B)

B-1	Nosač gornjeg držača	B-2	Nosač donjeg držača
B-3	Vijci		

SPAJANJE VISOKOTLAČNOG CRIJEVA (sl. C – sl. D)

Visokotlačno crijevo možete spojiti na jedan od sljedećih načina:

- Spojite visokotlačno crijevo na priključak za odvod vode i pištolj izravno pomoću spojnica s navojem (sl. C1 – sl. C2);
- Spojite visokotlačno crijevo na priključak za odvod vode i pištolj pomoću dva kompleta brzih spojnica kako biste postigli jednostavnu ugradnju/uklanjanje (sl. D1 – sl. D2).

NAPOMENA: Kompleti brzih spojnica su tvornički postavljeni na priključak za odvod vode, visokotlačno crijevo, pištolj.

SPAJANJE PRIKLJUČKA I CIJEVI (sl. E1 – sl. E2)

Za odvajanje, odvijte cijev iz priključka i zatim je izvucite; otpustite gumb na priključku i zatim povucite vanjski prsten brze spojnice pištolja kako biste izvukli priključak.

⚠ UPOZORENJE: Držite pištolj jednom rukom, a priključak drugom kada odvajate priključak od pištolja. Ako priključak padne može doći do tjelesne ozljede.

SPAJANJE MLAZNICE (sl. F1 / sl. F2)

NAPOMENA: Mlaznice se ne mogu spojiti na priključak.

- Odaberite mlaznicu od 15°, 25°, 40° ili Turbo mlaznicu za ugradnju na cijev (sl. F1).

F1-1	Mlaznica 15°	F1-2	Mlaznica 25°
F1-3	Mlaznica 40°	F1-4	TURBO mlaznica

- Mlaznica za ispiranje spojena je izravno na pištolj (sl. F2).

HR

F2-1	Mlaznica za ispiranje
------	-----------------------

⚠ UPOZORENJE: Držite pištolj jednom rukom, a mlaznicu drugom rukom kada odvajate mlaznicu od pištolja. Ako mlaznica iskoči može doći do tjelesne ozljede.

Za odabir odgovarajuće mlaznice za posao koristite tablicu u nastavku.

Odabir mlaznice	Primjene
Žuta mlaznica 15°	Čišćenje malih metalnih, betonskih ili drvenih površina.
Zelena mlaznica 25°	Čišćenje većih metalnih, betonskih ili drvenih površina.
Bijela mlaznica 40°	Čišćenje širokih metalnih, betonskih, drvenih ili vinilnih površina.
Siva mlaznica za ispiranje	Ispiranje vozila. Ispiranje deterdženta s metala, betona, drveta ili vinila.
Turbo mlaznica	Čišćenje samo tvrdih površina. Kako biste spriječili oštećenje površine, nemojte koristiti na automobilima i drvenim površinama.

SPAJANJE TOPA ZA PJENU (sl. G)

Top za pjenu izravno je spojen na pištolj.

Za odvajanje povucite vanjski prsten brze spojnice, a zatim izvucite top za pjenu.

SPAJANJE SIFONSKOG CRIJEVA (sl. H1 – sl. H2)

Kada koristite kantu za vodu (nije priložena) kao izvor vode, spojite visokotlačni perać na sifonsko crijevo.

NAPOMENA: Napunite kantu tako da kad je uronjen filter ne ispliva na površinu.

SPAJANJE NA VRTNO CRIJEVO (NIJE PRILOŽENO)

Kada koristite slavinu za vodu (nije priložena) kao izvor vode, spojite visokotlačni perać na vrtno crijevo (nije priloženo).

RAD

PRIMJENA

Proizvod možete koristiti za svrhe navedene u nastavku:

- Čišćenje prljavštine na automobilima, zidovima, podovima itd.

POSTAVLJANJE I UKLANJANJE BATERIJSKOG MODULA

Upotreblijavajte samo s baterijskim modulima i punjačima tvrtke EGO navedenima na sl. A2.

Više pojedinosti potražite u odgovarajućim priručnicima za baterijske module i punjače.

Baterijski modul potpuno napunite prije prve upotrebe.

NAPOMENA: Korištenje jednog baterijskog modula neće omogućiti postizanje TURBO brzine. Za najbolji radni učinak snažno preporučujemo korištenje dva baterijska modula od 5,0 Ah ili više.

1. Podignite poklopac pretinca baterijskog modula podizanjem prednjeg dijela poklopca.
2. **Za pričvršćivanje** poravnajte izbočenja baterije s montažnim utorima i pritisnite baterijski modul prema dolje tako da se začuje zvuk „klik“. Pričvrstite drugu bateriju (sl. I1).
3. **Za odvajanje** pritisnite gumb za oslobađanje baterije i izvucite baterijski modul (sl. I2).

I2-1	Gumb za oslobađanje baterije
------	------------------------------

4. Zatvorite poklopac pretinca za baterije.

POKRETANJE/ZAUSTAVLJANJE VISOKOTLAČNOG PERAČA (sl. J)

Za pokretanje visokotlačnog perača

OBAVIJEST: Ne pokrećite visokotlačni perač bez priključenog i uključеног dovoda vode. To može oštetiti visokotlačne brtve i smanjiti radni vijek pumpe.

1. Provjerite jesu li sifonsko crijevo, visokotlačno crijevo, pištolj i mlaznica ispravno spojeni.
2. Spojite priključak, cijev, top za pjenu, filter prema vašim potrebama.
3. Odaberite jedan od dolje navedenih načina opskrbe vodom:
 - Kada koristite vrtno crijevo (nije priloženo), spojite visokotlačni perač na vrtno crijevo i zatim otvorite slavinu za vodu.
 - Kada koristite kantu za vodu, spojite filter na sifonsko crijevo, a zatim potpuno uronite filter i zglob brze spojnice u kantu za vodu.
4. Umetnite baterijske module.
5. Pritisnite gumb napajanja da biste uključili visokotlačni perač. Perač će raditi velikom brzinom nakon svakog pokretanja.

NAPOMENA: Kada je visokotlačni perač uključen, ali bez daljnjih radnji, perač će se automatski isključiti nakon 5 min mirovanja. Tijekom prvih nekoliko minuta pripravnosti, indikator brzine na visokotlačnom peraču će treptati tri zelena svjetla, što znači da voda ne teče u sifonsko crijevo.

6. Držite pištolj s obje ruke, pritisnite stranu za otključavanje gumba za deblokadu i zatim stisnite okidač tako da se dobije ravnomjeran protok vode.

NAPOMENA: Ako je priključak spojen, jednom rukom držite pištolj, a drugom rukom priključak.

7. Započnite pranje prskanjem.

NAPOMENA: Može potrajati neko vrijeme dok voda ne otputuje od izvora i izađe iz mlaznice u obliku ravnomjernog mlaza. Da biste brzo postigli stabilan protok vode, pokušajte sljedeće:

- a. Uklonite mlaznicu.
- b. Pritisnite okidač i pričekajte dok ravnomjeran mlaz vode ne počne izlaziti iz cijevi.
- c. Otpustite okidač i ponovno postavite mlaznicu.

Zaustavljanje visokotlačnog perača

1. Nakon što je pranje završeno, otpustite okidač i pritisnite gumb za deblokadu na položaj za blokiranje.
2. Pritisnite gumb napajanja da biste isključili visokotlačni perač.
3. Zatvorite slavinu za vodu ili uklonite sifonsko crijevo iz kante za vodu.
4. Pritisnite gumb za deblokadu pištolja u položaj za otključavanje i stisnite okidač za ispuštanje vode iz crijeva.

OBAVIJEST: Pištolj, crijeva, cijevi, mlaznice ili top za pjenu ne smiju se odvajati sve dok voda ostaje u crijevima.

5. Odvojite i uklonite pištolj, crijeva, cijevi, mlaznice ili top za pjenu.
6. Pritisnite gumb napajanja kako biste uključili visokotlačni perač kako biste ispraznili vodu iz visokotlačnog perača.
7. Ponovno pritisnite gumb napajanja kako biste isključili visokotlačni perač.
8. Uklonite baterijske module.

DALJINSKI UPRAVLJAČ

Pištolj se može upariti s visokotlačnim peračem kako bi funkcionirao kao daljinski upravljač.

Uparivanje kratkotlačnog pištolja (sl. K)

1. Umetnite baterijske module i uključite visokotlačni perač.
2. Dugo pritisnite gumb za brzinu na visokotlačnom peraču dok njegova tri zelena svjetla ne počnu treptati.

NAPOMENA: Treptanje će trajati približno 20 s, pištolj može upariti samo za to vrijeme. Također možete kratko pritisnuti gumb za brzinu na peraču za zatvaranje načina uparivanja u bilo kojem trenutku.

3. Dugo držite pritisnutim gumb za brzinu na pištolju dok njegova tri zelena svjetla ne počnu treptati, što znači da je postupak uparivanja pokrenut.

NAPOMENA: Treptanje koje označava postupak uparivanja trajat će približno 10 s. Možete kratko pritisnuti gumb za brzinu na pištolju kako biste izašli iz postupka uparivanja u bilo kojem trenutku.

4. Indikatori brzine na peraču i pištolju prikazat će tri zelena svjetla zajedno na 3 s kako bi označili da je uparivanje uspješno, a zatim će prikazati dva zelena svjetla.
5. Ako uparivanje nije uspjelo, indikatori brzine na peraču i pištolju zatrepstat će tri zelena svjetla i zatim se isključiti.

Korištenje daljinskog upravljača

Nakon što je uparivanje završeno, jednom pritisnite gumb za brzinu na pištolju, pokazivač napajanja s 5 LED svjetala i indikator brzine će zasvijetliti. Ponovno pritisnite gumb za brzinu kako biste promijenili brzinu.

NAPOMENA:

- Pokazivač napajanja s 5 LED svjetala i indikator brzine isključit će se ako nema daljnjih radnji na gumbu za brzinu na pištolju unutar 10 s.
- Pokazivač napajanja s 5 LED svjetala označava razinu napunjenosti baterije. Kada su ugrađena dva baterijska modula, označava razinu baterijskog modula s višom napunjenošću.
- Indikator brzine na pištolju je sinkroniziran s indikatorom brzine na jedinici visokotlačnog perača.

ODABIR BRZINE

- Brzina visokotlačnog perača može se podesiti gumbom za brzinu na peraču ili uparenom pištolju.
- Brzina visokotlačnog perača može se podesiti kada je perač uključen ili tijekom prskanja.
- Svaki put kada se pritisne gumb za brzinu, brzina će se mijenjati između visoke razine, TURBO razine i niske razine. Indikator brzine prikazuje jedno zeleno svjetlo, dva zelena svjetla ili tri zelena svjetla kako bi označili da visokotlačni perač radi pri maloj brzini, velikoj brzini ili TURBO brzini.

HR

NAPOMENA: Kada je umetnut samo jedan baterijski modul, ne može se postići TURBO brzina i svaki put kada se pritisne gumb za brzinu, brzina će se prebacivati između visoke i niske razine.

NAPOMENA: Ako visokotlačni perač nastavi raditi na TURBO brzini, to može utjecati na vrijeme rada po punjenju.

248

VISOKOTLAČNI PERAČ S LITIJ-IONSKOM BATERIJOM OD 56 V — HPW2000E

ČIŠĆENJE DETERDŽENTOM

⚠ UPOZORENJE: Koristite samo deterdžente koji su posebno napravljeni za korištenje s visokotlačnim peračima. Pridržavajte se uputa o primjeni, odlaganju i sigurnosti proizvođača deterdženta.

1. Okrenite bocu topa za pjenu ulijevo i uklonite ju (sl. L1).
2. Ulijte deterdžent u bocu.

OBAVIJEST: Temperatura deterdženta ne smije prelaziti 60 °C.

3. Vratite top za pjenu i spojite ga na brzu spojnicu pištolja.
4. Okrenite gumb deterdženta kako biste prilagodili količinu deterdženta koja se dodaje u protok vode prema vašim potrebama (sl. L2).

ODRŽAVANJE

⚠ UPOZORENJE: Da ne bi došlo do teške tjelesne ozljede, prije servisiranja, čišćenja, promjene priključaka ili uklanjanja materijala iz uređaja izvadite baterijski modul iz proizvoda.

OPĆE ODRŽAVANJE

Pri čišćenju plastičnih dijelova, izbjegavajte upotrebu otapala. Većina plastičnih materijala podložna je oštećenju od različitih vrsta komercijalnih otapala i mogu se oštetiti u slučaju njihove upotrebe. Za uklanjanje nečistoća, prašine, ulja, masti i sl. upotrijebite čistu krpu.

⚠ UPOZORENJE: Nemojte dopustiti da koćione tekućine, benzin, proizvodi na bazi nafte, prodorna ulja i sl., dođu u doticaj s plastičnim dijelovima. Kemijska sredstva mogu oštetiti, oslabiti ili uništiti plastiku što može rezultirati teškim tjelesnim ozljedama.

⚠ UPOZORENJE: Kako biste smanjili rizik od požara, tjelesnih ozljeda i oštećenja proizvoda uslijed kratkog spoja, ne uranjajte stroj, baterijski modul ili punjač u tekućinu niti dopustite da tekućina teče unutar njih. Korozivne ili vodljive tekućine, poput morske vode, određene industrijske kemikalije i izbjeljivač ili proizvodi koji sadrže izbjeljivač itd., mogu uzrokovati kratki spoj.

ZAMJENA GUMBASTE ČELIJSKE BATERIJE

(sl. M1&M2)

⚠ UPOZORENJE: Čuvajte dalje od djece. Gutanje može dovesti do kemijskih opekline, perforacije mekog tkiva i smrti. Teške opekline mogu nastati unutar 2 h od gutanja. Odmah potražite liječničku pomoć.

NAPOMENA: Nemojte gurati bateriju izravno u pretinac (sl. M3). U suprotnom, dvije kopče će se oštetiti, uzrokujući kvar daljinskog upravljača pištolja.

M3-1	Kopče
------	-------

NAPOMENA: Popravite pištolj visokotlačnim peraćem nakon što zamijenite gumbastu čelijsku bateriju prema uputama u odjeljku „Uparivanje kratkotlačnog pištolja”.

ČIŠĆENJE FILTERA

- Odvijte i uklonite gumb na priključku za dovod vode, a zatim izvadite metalnu mrežicu iz priključka za dovod vode, isperite metalnu mrežicu ili je zamijenite ako je potrebno (sl. N1).

N1-1	Metalna mrežica
------	-----------------

- Skinite filter sa sifonskog crijeva, odvrnite filter, a zatim ga temeljito isperite (sl. N2).

ČIŠĆENJE MLAZNICA (sl. O)

Kada su rupe na mlaznicama začepljene, možete upotrijebiti priloženu iglu za čišćenje mlaznica da prođete kroz rupe i uklonite začepljenje.

TRANSPORT VISOKOTLAČNOG PERAČA (sl. P)

Pritisnite gumb za blokadu ručke, a zatim izvucite teleskopsku ručku do prve razine duljine tako da se začuje „klik”. Ako želite, možete pritisnuti gumb za blokadu ručke, a zatim izvući teleskopsku ručku na drugu razinu duljine.

SKLADIŠTENJE VISOKOTLAČNOG PERAČA

1. Zaustavite visokotlačni perać, otpustite tlak, ispraznite vodu i uklonite baterijski modul iz visokotlačnog peraća prema uputama u odjeljku „Zaustavljanje visokotlačnog peraća”.
2. Spremite mlaznice u prostor za skladištenje mlaznica visokotlačnog peraća (sl. Q1).
3. Smotajte visokotlačno crijevo i spremite ga iza teleskopske ručke (sl. Q2).
4. Spremite pištolj i sklop priključka i cijevi u nosače držača ili odvojite pištolj i spremite ga u gornje nosače držača (sl. Q3).

5. Prije spremanja temeljito očistite visokotlačni perać.
6. Visokotlačni perać skladištite na suhom, dobro prozračenom mjestu koje je moguće zaključati ili koje je na visini, izvan dohvata djece. Visokotlačni perać nemojte skladištiti u blizini gnojiva, benzina ili drugih kemijskih tvari ili u njihovoj blizini.

Zaštita okoliša



Električnu opremu, iskorištenu bateriju i punjač ne odlažite u otpad iz kućanstva! Ovaj proizvod odnesite u ovlaštenu centar za reciklažu i time omogućite odvojeno sakupljanje. Električne alate potrebno je vratiti u ekološki prihvatljiv pogon za reciklažu.

RJEŠAVANJE PROBLEMA

PROBLEM	UZROK	RJEŠENJE
Visokotlačni perač se ne može uključiti.	<ul style="list-style-type: none"> ■ Razina napunjenosti baterijskog modula je niska. ■ Baterijski modul nije ispravno postavljen. 	<ul style="list-style-type: none"> ■ Napunite baterijski modul. ■ Pritisnite baterijski modul u pretinac baterijskog modula tako da sjedne na mjesto.
Ne može se aktivirati TURBO brzina.	<ul style="list-style-type: none"> ■ Za rad perača koristi se samo jedan baterijski modul. 	<ul style="list-style-type: none"> ■ Koristite dva baterijska modula od 5,0 Ah ili više.
Pumpa visokotlačnog perača prestaje raditi i indikator brzine na peraču trepće tri zelena svjetla.	<ul style="list-style-type: none"> ■ Previsoka temperatura baterijskih modula ili visokotlačnog perača. ■ Mlaznica je začepljena. ■ Voda ne teče u sifonsko crijevo. ■ Razina napunjenosti baterijskog modula je niska. ■ Druga greška elektronike. 	<ul style="list-style-type: none"> ■ Pričekajte dok se visokotlačni perač ili baterijski moduli ne vrate na radnu temperaturu, a zatim ponovno pokrenite perač. ■ Koristite iglu za čišćenje mlaznice za prolaženje kroz rupe. ■ Provjerite i osigurajte da voda pravilno teče u sifonsko crijevo. ■ Napunite baterijski modul. ■ Obratite se službi za korisnike tvrtke EGO.
Protok vode je slab za vrijeme prskanja.	<ul style="list-style-type: none"> ■ Filtar je djelomično blokiran. ■ Metalna mrežica u priključku za dovod vode je djelomično blokirana. ■ Filtar i zglob brze spojnice sifonskog crijeva nisu potpuno uronjeni u vodu. ■ Sifonsko crijevo je presavijeno. ■ Voda je prijava. ■ Visokotlačno crijevo je začepljeno. 	<ul style="list-style-type: none"> ■ Očistite filtari. ■ Uklonite i očistite metalnu mrežicu. ■ Potpuno uronite filtari i zglob brze spojnice u vodu. ■ Odvijte sifonsko crijevo ili ga zamijenite. ■ Koristite samo čistu vodu. ■ Uklonite mlaznicu, a zatim počnite prskati vodom iz crijeva kako biste uklonili začepljenje crijeva.

PROBLEM	UZROK	RJEŠENJE
Voda ne prska van.	<ul style="list-style-type: none"> ■ Nema dovoda vode. ■ Filtar je potpuno začepljen. ■ Metalna mreža u priključku za dovod vode potpuno je blokirana. ■ Mlaznica je začepljena. ■ Pumpa, crijeva ili druge komponente su zamrznute. 	<ul style="list-style-type: none"> ■ Provjerite i osigurajte da je perlač ispravno spojen na dovod vode. ■ Očistite filtari. ■ Uklonite i očistite metalnu mrežicu. ■ Koristite iglu za čišćenje mlaznice za prolaženje kroz rupe. ■ Pričekajte dok se ne odmrznu.
Protok vode nije stabilan.	<ul style="list-style-type: none"> ■ Zrak struji u perlač. ■ Brtve pumpe su istrošene. 	<ul style="list-style-type: none"> ■ Provjerite i osigurajte da je sifonsko crijevo pravilno spojeno. ■ Obratite se službi za korisnike tvrtke EGO.
Prskanje vode počinje ili se zaustavlja automatski.	<ul style="list-style-type: none"> ■ Visokotlačno crijevo je oštećeno. ■ Iz pištolja curi voda. ■ Brtve pumpe, brtve crijeva su istrošene. 	<ul style="list-style-type: none"> ■ Zamijenite novim visokotlačnim crijevom. ■ Obratite se službi za korisnike tvrtke EGO. ■ Obratite se službi za korisnike tvrtke EGO.
Pištolj ne može upravljati perlačem.	<ul style="list-style-type: none"> ■ Položaj pištolja je izvan dometa bežične veze. ■ Razina napunjenosti čelijske baterije (gumbasta baterija) je niska. ■ Pištolj nije pravilno uparen. ■ Gumbasta čelijska baterija nije ispravno postavljena. 	<ul style="list-style-type: none"> ■ Približite pištolj visokotlačnom perlaču. ■ Zamijenite novom čelijskom baterijom (gumbasta baterija). ■ Dovršite uparivanje prema uputama u odjeljku „Uparivanje kratkotlačnog pištolja“. ■ Postavite gumbastu čelijsku bateriju prema uputama u odjeljku „ZAMJENA GUMBASTE ČELIJSKE BATERIJE“.

JAMSTVO

PRAVILA U VEZI JAMSTVA PROIZVOĐAČA EGO

Cjelokupne uvjete i odredbe pravila jamstva proizvođača EGO potražite na internetskoj stranici egopowerplus.eu.

HR

წაიკითხეთ მთლიანი ინსტრუქცია!



გაეცანით მომხმარებლის ინსტრუქციას

⚠ გაფრთხილება: ხელსაწყოს უსაფრთხოდ და გამართულად მუშაობისთვის საჭიროა მისი ყველა შეკეთება და ნაწილის შეცვლა შესრულდეს კვალიფიციური ტექნომსახურების ტექნიკოსის მიერ.

უსაფრთხოების სიმბოლოები

უსაფრთხოების სიმბოლოების მიზანია ყურადღების გამახვილება შესაძლო საფრთხეებზე. ყურადღებით გაეცანით უსაფრთხოების სიმბოლოებს და მათ შესაბამის განმარტებებს. საშიშროების აღმნიშვნელი სიმბოლოები თავისთავად არ ანეიტრალებს რაიმე საფრთხის არსებობის რისკს. მათ მიერ მოწოდებული მითითებები და გაფრთხილებები არ არიან შემთხვევის თავიდან აცილების სწორი პროცედურის შემცველები.

⚠ გაფრთხილება: მანქანის გამოყენებამდე წაიკითხეთ და გაეცანით ყველა უსაფრთხოების წესს, რომელიც მოცემულია მომხმარებლის ამ სახელმძღვანელოში, მათ შორის ყველა უსაფრთხოების სიგნალის სიმბოლოებს, როგორცაა „საშიშროება“, „გაფრთხილება“ და „ყურადღება“. ქვემოთ ჩამოთვლილი მითითებების შეუსრულებლობამ შეიძლება გამოიწვიოს დენის დარტყმა, ხანძარი და/ან სხეულის სერიოზული დაზიანება.

⚠ გაფრთხილება: ხანძრის და დამწვრობის რისკი. არ დაშალოთ, გაახუროთ 100 °C-ზე მეტად ან დაწვით. მთავრდით აკუმულატორი ბავშვებს და გამოყენებამდე შეინახეთ ორიგინალ შეფუთვაში. მოახდინეთ აკუმულატორის უტილიზირება ნარჩენების გადამამუშავების ადგილობრივი რეგულაციების შესაბამისად.

უსაფრთხოების წესები

აღნიშნულ გვერდზე მოცემული და განმარტებულია ის უსაფრთხოების სიმბოლოები, რომლებიც დატანილია ამ პროდუქტზე. წაიკითხეთ, შეისწავლეთ და მიყევით ხელსაწყოს ყველა ინსტრუქციას მის აწყობამდე და ჩართვამდე.



სიგნალი საფრთხის შესახებ



დაზიანების რისკის შესამცირებლად მომხმარებელმა უნდა წაიკითხოს მომხმარებლის სახელმძღვანელო.



არასოდეს შეახუროთ საკუთარი თავს, სხვებს, ცხოველებს, დენის წყაროებს ან თავად მოწყობილობას.



მოწყობილობა შეესაბამება EC-ის მოქმედ რეგულაციებს.



არ დააკავშიროთ სასმელი წყლის ქსელთან.



გავლილი აქვს დიდი ბრიტანეთის შესაბამისობის შეფასება

KA



პროდუქტის ნარჩენები არ გადაყაროთ საყოფაცხოვრებო ნარჩენებთან ერთად. წაიღეთ შესაბამის გადამამუშავებელ საწარმოში.



წყლის წნევა



წყლის ნაკადი



სამუშაო ტემპერატურა



მუდმივი დენი

kg კილოგრამი

V მაზვა

MPa მეგაპასკალი

°C ცელსიუსი

L/min ლიტრი წუთში

IPX5 წყლის ჭავლისგან დაცვა

⚠ გაფრთხილება: მოწყობილობის გამოყენებამდე გაეცანიტ და შეისწავლეთ ყველა ინსტრუქცია. ქვემოთ ჩამოთვლილი ყველა ინსტრუქციის უგულვებელყოფამ შესაძლოა გამოიწვიოს ელექტრო შოკი, ხანძარი და/ან მოგაყენოთ სეროზული ზიანი.

⚠ გაფრთხილება: მაღალი წნევის მქონე გამწმენდების გამოყენებისას შეიძლება წარმოიქმნას აეროზოლები. აეროზოლების ჩასუნთქვა შეიძლება ჯანმრთელობისთვის საშიში იყოს.

⚠ გაფრთხილება: არასწორად გამოყენების შემთხვევაში მაღალი წნევის მქონე ჭავლები შეიძლება საშიში იყოს. ჭავლი არ უნდა მიმართოთ ადამიანებისკენ, ელექტრომოწყობილობისა ან თავად მოწყობილობისკენ.

⚠ გაფრთხილება: არ გამოიყენოთ აპარატი ადამიანებთან ახლოს, თუ მათ არ აცვიათ დამცავი ტანსაცმელი.

⚠ გაფრთხილება: ნუ მიმართავთ ჭავლს საკუთარი თავისკენ ტანსაცმლის ან ფეხსაცმლის გასასუფთავებლად.

⚠ გაფრთხილება: აფეთქების რისკი - არ შეასხუროთ აალებადი სითხეები.

⚠ გაფრთხილება: მაღალი წნევის მქონე საწმენდები არ უნდა გამოიყენონ ბავშვებმა ან მოუმზადებელმა პერსონალმა.

⚠ გაფრთხილება: მაღალი წნევის შლანგები, ფიტინგები და შეერთებები მნიშვნელოვანია მოწყობილობის უსაფრთხოებისთვის.

⚠ გაფრთხილება: წყალი, რომელიც მიედინება უკუნაკადის პრევენციული საშუალებებით, ითვლება არასასმელად.

⚠ გაფრთხილება: არ გამოიყენოთ მოწყობილობა, თუ დაზიანებულია მნიშვნელოვანი ნაწილები, მაგ. უსაფრთხოების მოწყობილობები, მაღალი წნევის შლანგები, საპოხი პისტოლეტი.

⚠ გაფრთხილება: გამოყენებიდან გამომდინარე, შესაძლებელია დამცავიანი ფრქვევანას გამოყენება მაღალი წნევით წმენდისას, რაც მკვეთრად შეამცირებს წყლიანი აეროზოლების გამოყოფას. თუმცა, გამოყენების ყველა სახე არ იძლევა ასეთი მოწყობილობის გამოყენების შესაძლებლობას. თუ დაცული ფრქვევანას გამოყენება შეუძლებელია აეროზოლებისგან დასაცავად, შეიძლება საჭირო გახდეს FFP 2 კლასის ან ეკვივალენტური რესპირატორული ნიღაბი, რაც დამოკიდებულია დასუფთავების გარემოზე.

- დაუმეგებელია ამ მოწყობილობის გამოყენება იმ პირების (ბავშვების ჩათვლით) მიერ, რომელთაც შეუზღუდული ფიზიკური, მგრძობელობის ან მენტალური შესაძლებლობი აქვთ ან არ გააჩნიათ გამოყენების ცოდნა და გამოცდილება. ბავშვები უნდა იყვნენ ზედამხედველობის ქვეშ, რათა მათ არ ითამაშონ მოწყობილობით.

- იცოდეთ, როგორ შეაჩეროთ მოწყობილობა და სწრაფად დააადლო წნევა. კარგად გაეცანიტ მართვის დილაკებს.

- მოწყობილობის დაუფეგმავი ჩართვის აღკვეთა. დარწმუნდით, რომ ჩამრთველი არის გამორთულ პოზიციაში მოწყობილობის აკუმულატორთან მიერთებამდე, მოწყობილობის მაღლა აწევამდე ან ტარებამდე. მოწყობილობის ტარება ჩამრთველის დილაკზე დადებული

KA

თითით ან როცა მოწყობილობა დენშია მიერთებული და ჩართვის ღილაკი ჩართულია, გამოიწვევს უბედურ შემთხვევებს.

- მოწყობილობის გამოყენებისას ყოველთვის გაითვალისწინეთ რეაქციის ძალა და უეცარი ბრუნვის საშიშროება.
- არ მოათავსოთ მოწყობილობა ან აკუმულატორი მაღალი ტემპერატურის გარემოში.
- გაითვალისწინეთ ლითონის საგნებით გამოწვეული აკუმულატორზე მომუშავე მოწყობილობის ან აკუმულატორის ტერმინალების მოკლე ჩართვა.
- დასამუხტი აკუმულატორი უნდა ამოვიღოთ მოწყობილობიდან მის დამუხტვამდე.
- დაუშვებელია სხვადასხვა ტიპის ელემენტების ან ნახშიარი და ახალი ელემენტების ერთმანეთთან შერევა.
- დაცლილი ელემენტი უნდა ამოვიღოთ მოწყობილობიდან და უსაფრთხოდ განადგურდეს.
- თუ მოწყობილობა უნდა ინახებოდეს გამოუყენებელი ხანგრძლივი პერიოდის განმავლობაში, უნდა მოხდეს აკუმულატორების ამოღება.
- არ გამოიყენოთ არა-დატენვადი ელემენტები მრავალჯერადი დატენვის ელემენტების ნაცვლად.
- არ გამოიყენოთ შეცვლილი ან დაზიანებული აკუმულატორები.
- **გამოიყენეთ მხოლოდ რეკომენდებული აკუმულატორების ბლოკები და დამტენები.**

შეინახეთ ეს მითითებები. ხშირად იხელმძღვანელებთ მითითებებით და ასწავლეთ ისინი სხვებს, ვისაც სურს ამ ხელსაწყოს გამოყენება. თუ ათხოვებთ ხელსაწყოს სხვა პირს, ასევე ათხოვთ მას ეს მომხმარებლის ინსტრუქცია, რათა ადკვეთოთ ხელსაწყოს არასათანადო გამოყენება და შესაძლო ზიანი.

სპეციფიკაციები

ძაბვა	56 ვ
მაქსიმალური ნომინალური წნევა	135 ბარი
მაქსიმალური ნომინალური ნაკადი (სწრაფი დამაკავშირებელი და უქანგავი ფოლადის ღეროთი დაკავშირებული)	6.5 ლ/წთ
მაქსიმალური ნომინალური ნაკადი (მხოლოდ მოკლე დაწნეული პისტოლეტით დაკავშირებული)	9.5 ლ/წთ
შეზღუდული მაქსიმალური წნევა პისტოლეტისთვის	250 ბარი
შეზღუდული მაქსიმალური ნაკადი პისტოლეტისთვის	30 ლ/წთ
წონა (აკუმულატორის ბლოკის გარეშე)	16.8 კგ
რეკომენდებული საექსპლუატაციო ტემპერატურა	5°C – 40°C
რეკომენდებული დასაწყობების ტემპერატურა	-20°C – 70°C
გაზომილი ხმის სიმძლავრის დონე L_{WA}	84 დბ(A) K=1.8 დბ(A)
ბგერის წნევის დონე მომხმარებლის ყურზე L_{PA}	72 დბ(A) K=3 დბ(A)
გარანტირებული ხმის სიმძლავრის დონე L_{WA} (გაზომილი 2000/14/EC რეგულაციის მიხედვით)	86 დბ(A)
ვიბრაცია a_h	3.6 მ/წმ ² K=0.9 მ/წმ ²

- მითითებული ვიბრაციის სრული სიდიდე გაზომილია სტანდარტული ტესტირების მეთოდის გამოყენებით და შესაძლოა გამოყენებულ იქნას ერთი მოწყობილობის მეორესთან შედარებისას;

- მითითებული ვიზრაციის სრული სიდიდე ასევე შესაძლოა გამოყენებულ იქნას ზემოქმედების პირველადი შეფასებისას.

შენიშვნა: ელექტრო ხელსაწყოთა ფაქტობრივი გამოყენებისას ვიზრაციის ემისია შესაძლოა განსხვავდებოდეს მითითებული სიდიდისგან; მომხმარებელმა მოწყობილობით სარგებლობისას საჭიროა გამოიყენოს ხელთათმანები და სმენის დამცავი საშუალებები.

რეკომენდებული აქსესუარები

▲ გაფრთხილება: გამოიყენეთ მხოლოდ ქვემოთ ჩამოთვლილი აქსესუარები. ისეთი აქსესუარების გამოყენებამ, რომლებიც არ აკმაყოფილებს ორიგინალი ნაწილების სპეციფიკაციებს, შესაძლოა გამოიწვიოს მოწყობილობის არასათანადო მუშაობა და უსაფრთხოების ნორმების დარღვევა.

ნაწილის დასახელება	მოდელის ნომერი
პრემიუმ ქაფის გამომშვები	AFC2000E
ტურბო ფრქვევანა	ANZ2000E-T
15° ფრქვევანა	ANZ2015E
25° ფრქვევანა	ANZ2025E
40° ფრქვევანა	ANZ2040E
ჩამოსარეცხი ფრქვევანა	ANZ2000E-R

შეფუთვის ფურცელი (სურ. A1)

აღწერა

გაეცანით თქვენს დაწესილი წყლის სარეცხ მოწყობილობას (ნახ. A1)

1. ტელესკოპური სახელური
2. სახელურის ჩამკეტი ღილაკი
3. ზედა დამჭერის სამაგრი
4. ბორბალი (x2)
5. ქვედა დამჭერის სამაგრი
6. წყლის შემშვები პორტი
7. წყლის გამომშვები პორტი
8. სიჩქარის ღილაკი
9. სიჩქარის ინდიკატორი
10. ჩამრთველი ღილაკი
11. აკუმულატორის ბლოკის ნაკვეთური
12. ფრქვევანას შენახვა
13. აკუმულატორის ბლოკის ნაკვეთურის საფარი
14. ელექტრო კონტაქტები
15. ამოგდების მექანიზმი
16. აკუმულატორის გამშვები ღილაკი
17. შლანგის დამჭერი ღვედი
18. უჭანგავი ფოლადის დერო
19. სწრაფად შემაერთებელი ბარჯი
20. მაღალი წნევის შლანგი
21. სიფონის შლანგი
22. სწრაფი კონექტორის კომპლექტი (x2)
23. ქაფის გამომშვები
24. ფილტრი
25. ფრქვევანას საწმენდი ნემსი
26. ჩამოსარეცხი ფრქვევანა
27. 40° ფრქვევანა
28. 25° ფრქვევანა
29. 15° ფრქვევანა
30. ტურბო ფრქვევანა
31. მოკლე წნევის პისტოლეტი
32. ელემენტის საფარი
33. 5-LED საწვავის დონის საზომი
34. სიჩქარის ინდიკატორი
35. სიჩქარის ღილაკი
36. პისტოლეტის სახელური
37. ტრიგერი
38. ჩამკეტი ღილაკი

KA

ნაკრები

დამჭერის სამაგრის ნაკრების დაყენება (ნახ. B)

B-1	ზედა დამჭერის სამაგრი	B-2	ქვედა დამჭერის სამაგრი
B-3	ხრახნები		

მაღალი წნევის შლანგის შეერთება (ნახ. C – ნახ. D)

თქვენ შეგიძლიათ დააკავშიროთ მაღალი წნევის შლანგი ერთ-ერთი შემდეგი გზით:

- შეაერთეთ მაღალი წნევის შლანგი წყლის გამომშვებ პორტთან და პირდაპირ პისტოლეტთან ხრახნიანი კონექტორების გამოყენებით (ნახ. C1-ნახ. C2);
- შეაერთეთ მაღალი წნევის შლანგი წყლის გამომშვებ პორტთან და პისტოლეტთან ორი სწრაფგასართი შეერთების გამოყენებით, რათა შემოთ მარტად დამონტაჟება/ ამოღება (ნახ. D1 – ნახ. D2).

შენიშვნა: სწრაფგასართი შეერთების კომპლექტი წყლის გამომშვებ პორტზე, მაღალი წნევის შლანგზე და პისტოლეტზე დამონტაჟება ქარხანაში.

ბარჯის და ღეროს დაკავშირება (ნახ. E1 – ნახ. E2)

გამოსართავად გადაატრიალეთ ღერო ბარჯიდან და შემდეგ ამოიღეთ იგი; მოუშვით სახელური ბარჯზე და შემდეგ უკან გასწიეთ პისტოლეტის სწრაფგასართი შეერთების გარე რგოლი, რომ მოქაჩით ბარჯი.

▲ გაფრთხილება: ყოველთვის დაიჭირეთ პისტოლეტი ერთი ხელით, ხოლო ბარჯი მეორე ხელით, როცა პისტოლეტს აშორებთ ბარჯს. ბარჯის დავარდნამ შეიძლება გამოიწვიოს დაზიანება.

ფრქვევანას დამაგრება (ნახ. F1 / ნახ. F2)

შენიშვნა: ფრქვევანა ვერ მავრდება ბარჯზე.

- აირჩიეთ 15° ფრქვევანა, 25° ფრქვევანა, 40° ფრქვევანა ან ტურბო ფრქვევანა ღეროზე დასამაგრებლად (ნახ. F1).

F1-1	15° ფრქვევანა	F1-2	25° ფრქვევანა
F1-3	40° ფრქვევანა	F1-4	ტურბო ფრქვევანა

- ჩამოსარეცი ფრქვევანა უშუალოდ პისტოლეტთანაა შეერთებული (ნახ. F2).

F2-1	ჩამოსარეცი ფრქვევანა
------	----------------------

▲ გაფრთხილება: ყოველთვის დაიჭირეთ პისტოლეტი ერთი ხელით, ხოლო ფრქვევანა მეორე ხელით, როცა პისტოლეტს აშორებთ ფრქვევანას. ფრქვევანას ამოხტომამ შეიძლება გამოიწვიოს ფიზიკური დაზიანება.

გამოიყენეთ ქვემოთ მოცემული ცხრილი სამუშაოსთვის შესაფერისი ფრქვევანას ასარჩევად.

ფრქვევანას შერჩევა	გამოყენებები
ყვითელი 15° ფრქვევანა	გამოიყენება ლითონის, ბეტონის ან ხის პატარა ზომის ზედაპირების გასასუფთავებლად.
მწვანე 25° ფრქვევანა	გამოიყენება ლითონის, ბეტონის ან ხის უფრო დიდი ზომის ზედაპირების გასასუფთავებლად.
თეთრი 40° ფრქვევანა	გამოიყენება ლითონის, ბეტონის, ხის ან ვინილის ფართო ზედაპირების გასასუფთავებლად.
ნაცრისფერი ჩამოსარეცი ფრქვევანა	გარეცხეთ მანქანები. ჩამორეცხეთ სარეცი საშუალება ლითონიდან, ბეტონიდან, ხიდან ან ვინილიდან.
ტურბო ფრქვევანა	გაწმინდეთ მხოლოდ მყარი ზედაპირები. ზედაპირის დაზიანების თავიდან ასაცილებლად, არ გამოიყენოთ მანქანებზე და ხის ზედაპირებზე.

ქაფის გამომშვებთან შეერთება (ნახ. G)

ქაფის გამომშვები უშუალოდ პისტოლეტთანა დაკავშირებული.

გამოსართავად, უკან გადაწიეთ სწრაფგასართის გარე რგოლი და შემდეგ ამოიღეთ ქაფის გამომშვები.

სიფონის შლანგის შეერთება (ნახ. H1 – ნახ. H2)

წყლის წყაროდ ვედროს (არ არის მოწოდებული) გამოყენებისას, დააკავშირეთ დაწნეული სარეცხი მოწყობილობა სიფონის შლანგს.

შენიშვნა: წინასწარ შეავსეთ ვედრო ისე, რომ ჩამირვისას ფილტრი ზედაპირზე არ ამოტივტივდეს.

ბადის შლანგთან დაკავშირება (არ არის მოწოდებული)

წყლის წყაროდ ონკანის გამოყენებისას (არ არის მოწოდებული), დააკავშირეთ დაწნეული სარეცხი მოწყობილობა ბადის შლანგს (არ არის მოწოდებული).

ექსპლუატაცია

გამოყენება

თქვენ შეგიძლიათ გამოიყენოთ მოწყობილობა ქვემოთ ჩამოთვლილი მიზნებისთვის:

- ჭუჭყის მოშორება ავტომობილებზე, კედლებზე, იატაკზე და ა.შ.

აკუმულატორის ჩამაგრება/მოხსნა

გამოიყენეთ მხოლოდ ნახ. A2-ში ჩამოთვლილი EGO-ს აკუმულატორის ბლოკები და დამტენები.

დეტალური მითითებებისთვის იხილეთ აკუმულატორისა და დამტენის სახელმძღვანელოები.

სრულად დატენით პირველად გამოყენებამდე.

შენიშვნა: ერთი აკუმულატორის ბლოკის გამოყენების შემთხვევაში ტურბო სიჩქარეს ვერ მიაღწევთ. საუკეთესო შედეგებისთვის, გირჩევთ 5.0 ა/სთ ან მეტი სიმძლავრის აკუმულატორების ბლოკის გამოყენებას.

1. აწიეთ აკუმულატორის ნაკვეთურის საფარი საფარის წინა ნაწილის მაღლა აწევით.

2. **დამაგრების მიზნით**, გაუსწორეთ აკუმულატორის სამაგრები ბუდის ნასვრეტებს და დააწექით აკუმულატორს, სანამ არ გაივებთ „წკაპუნის“ ხმას. ჩასვით სხვა აკუმულატორი (ნახ. I1).
3. **მოსახსნელად**, დააჭირეთ აკუმულატორის მოხსნის ღილაკს და ამოიღეთ აკუმულატორის ბლოკი (ნახ. I2).

I2-1	აკუმულატორის მოხსნის ღილაკი
------	-----------------------------

4. დახურეთ აკუმულატორის ნაკვეთურის საფარი.

დაწნეული სარეცხი მოწყობილობის ჩართვა/გამორთვა (ნახ. J)

დაწნეული სარეცხი მოწყობილობის ჩართვა

შენიშვნა: არ ჩართოთ დაწნეული სარეცხი მოწყობილობა, თუ წყლის მიწოდება არ არის ჩართული და მოწყობილობა არ არის წყლის მიწოდების სისტემასთან შეერთებული. ამან შეიძლება დააზიანოს მაღალი წნევის ლუქები და შეამციროს ტუმბოს სამუშაო ვაგისიანობის ხანგრძლიობა.

1. დარწმუნდით, რომ სიფონის შლანგი, მაღალი წნევის შლანგი, პისტოლეტი, ფრქვევანა სწორად არის დაკავშირებული.
2. შეაერთეთ ბარჯი, ღერო, ქაფის გამომშვები, ფილტრი თქვენი საჭიროების მიხედვით.
3. აირჩიეთ წყალმომარაგების ერთ-ერთი გზა:
 - ბადის შლანგის გამოყენებისას (არ არის მოწოდებული), შეუერთეთ დაწნეულ სარეცხ მოწყობილობას ბადის შლანგი და შემდეგ გახსენით წყლის ონკანი.
 - წყლის ვედროს გამოყენებისას, შეუერთეთ ფილტრი სიფონის შლანგს და შემდეგ ჩაუშვით ფილტრი და სწრაფგასართი შეერთება მთლიანად წყლის ვედროში.
4. ჩასვით აკუმულატორის ბლოკი(ებ)ი.
5. დაწნეული სარეცხი მოწყობილობის ჩასართავად დააჭირეთ დენის ჩართვის ღილაკს. ყოველი გაშვების შემდეგ დაწნეული სარეცხი მოწყობილობა ყოველთვის იმუშავებს მაღალი სიჩქარით.

KA

შენიშვნა: როდესაც დაწნეული სარეცხი მოწყობილობა ჩართულია, მაგრამ უმოქმედოდაა და არ გამოიყენება, მოწყობილობა ავტომატურად გამოირთვება 5 წუთი ლოდინის შემდეგ. ლოდინის პირველი რამდენიმე წუთის განმავლობაში, დაწნეულ სარეცხ მოწყობილობაზე სიჩქარის ინდიკატორი ანათებს სამ მწვანე ნათურას, რაც მიუთითებს იმაზე, რომ წყალი არ მიედინება სიფონის შლანგში.

6. დაიჭირეთ პისტოლეტი ორივე ხელით, დააჭირეთ დაბლოკვის ღილაკს განბლოკვის მხარეს და შემდეგ დააჭირეთ ჩახმახს წყლის მუდმივი ნაკადის მიღებამდე.

შენიშვნა: თუ ბარჯი შეერთებულია, დაიჭირეთ პისტოლეტი ერთი ხელით, ხოლო ბარჯი მეორე ხელით.

7. დაიწყეთ შესხურებით რეცხვა.

შენიშვნა: შეიძლება გარკვეული დრო დასჭირდეს წყლის გამოდინებას წყლის წყაროდან და ფრქვევანადან უწყვეტი სახით გამოსვლას. წყლის სტაბილური ნაკადის სწრაფად მისაღწევად, შეიძლება დაგჭირდეთ შემდეგი ქმედებების განხორციელება:

- მოხსენით ფრქვევანა.
- დააჭირეთ ჩახმახს და დაელოდეთ, სანამ წყლის მუდმივი ნაკადი გამოვა ღეროდან.
- აუშვით ჩახმახს და ხელახლა დაამონტაჟეთ ფრქვევანა.

დაწნეული სარეცხი მოწყობილობის გაჩერება

- რეცხვის დასრულების შემდეგ, აუშვით ჩახმახს და დააჭირეთ ჩაკეტვის ღილაკს დაბლოკვის პოზიციაზე.
- დაწნეული სარეცხი მოწყობილობის გამოსართავად დააჭირეთ ელექტრო კვების ღილაკს.
- გადაკეტეთ წყლის ონკანი ან ამოიღეთ სიფონის შლანგი წყლის ვედროდან.
- დააჭირეთ პისტოლეტის ჩაკეტვის ღილაკს განბლოკვის პოზიციაზე და დააჭირეთ ჩახმახს, რომ შლანგებიდან წყალი დაიგალოს.

შენიშვნა: პისტოლეტი, შლანგები, ღერო, ფრქვევანა ან ქაფის გამომშვები არ უნდა მოხსნათ მანამ, სანამ შლანგში წყალია.

- გამორთეთ და მოხსენით პისტოლეტი, შლანგები, ღერო, ფრქვევანა ან ქაფის გამომშვები.
- დააჭირეთ ჩართვის ღილაკს დაწნეული სარეცხი მოწყობილობის ჩასართავად, რათა ის დაიცავდეს წყლისგან.
- დააჭირეთ ჩართვის ღილაკს კვლავ, რათა გამორთოთ დაწნეული სარეცხი მოწყობილობა.
- მოხსენით აკუმულატორის ბლოკ(ებ)ი.

დისტანციური მართვის პულტი

პისტოლეტი შეიძლება დაწყვილდეს დაწნეულ სარეცხ მოწყობილობასთან პულტის სახით ფუნქციონირებისთვის.

მოკლე პისტოლეტის დაწყვილება (ნახ. K)

- ჩადეთ აკუმულატორის ბლოკ(ებ)ი და ჩართეთ სარეცხი მოწყობილობა მაღალ წნევაზე.
- ხანგრძლივად დააჭირეთ სიჩქარის ღილაკს მაღალი წნევის მქონე სარეცხ მოწყობილობაზე, სანამ მისი სამი მწვანე ნათება არ დაიწყებს ციმციმს.

შენიშვნა: ციმციმი გაგრძელდება დაახლოებით 20 წამი, პისტოლეტის დაწყვილება შესაძლებელია მხოლოდ ამ დროის განმავლობაში. თქვენ ასევე შეგიძლიათ სწრაფად დააჭიროთ სიჩქარის ღილაკს სარეცხ მოწყობილობაზე, რათა ნებისმიერ დროს გამოხვიდეთ დაწყვილების რეჟიმიდან.

- ხანგრძლივად დააჭირეთ თითო სიჩქარის ღილაკს პისტოლეტზე, სანამ მისი სამი მწვანე ნათურა არ დაიწყებს ციმციმს, რაც დაწყვილების პროცესის დაწყებას ნიშნავს.

შენიშვნა: ციმციმი, რომელიც მიუთითებს დაწყვილების პროცესზე, გაგრძელდება დაახლოებით 10 წმ. თქვენ შეგიძლიათ სწრაფად დააჭიროთ სიჩქარის ღილაკს პისტოლეტზე დაწყვილების პროცესიდან ნებისმიერ დროს გამოსასვლელად.

- სიჩქარის ინდიკატორები სარეცხ მოწყობილობაზე და პისტოლეტზე ანათებენ 3 მწვანე ნათურას ერთად 3 წამის განმავლობაში, რაც მიუთითებს დაწყვილების წარმატებით შესრულებაზე, შემდეგ ჩართვება ორი მწვანე ნათება.

- 5. თუ დაწყვილება ვერ მოხერხდა, სიჩქარის ინდიკატორები სარეცხ მოწყობილობაზე და პისტოლეტზე აანთებენ სამ მწვანე შუქს და შემდეგ გამოირთვება.

დისტანციური მართვის პულტის გამოყენება

დაწყვილების დასრულების შემდეგ, ერთხელ დააჭირეთ სიჩქარის ღილაკს პისტოლეტზე, აინთება 5-LED საწვავის საზომი და სიჩქარის მაჩვენებელი. სიჩქარის რეალურად შესაცვლელად კვლავ დააჭირეთ სიჩქარის ღილაკს.

შენიშვნა:

- 5-LED საწვავის საზომი და სიჩქარის ინდიკატორი გამოირთვება, თუ პისტოლეტის სიჩქარის ღილაკზე შემდგომი მოქმედება არ მოხდება 10 წამში.
- 5-LED საწვავის საზომი მიუთითებს აკუმულატორის დატენვის დონეზე. როდესაც დამონტაჟებულია ორი აკუმულატორის ბლოკი, ის აჩვენებს უფრო მეტად დატენილ აკუმულატორის ბლოკს.
- პისტოლეტზე სიჩქარის ინდიკატორი ყოველთვის სინქრონიზებულია დაწნეული სარეცხი მოწყობილობის სიჩქარის ინდიკატორთან.

სიჩქარის შერჩევა

- დაწნეული სარეცხი მოწყობილობის სიჩქარის რეგულირება შესაძლებელია სიჩქარის ღილაკით როგორც სარეცხ მოწყობილობაზე, ასევე დაწყვილებულ პისტოლეტზე.
- დაწნეული სარეცხი მოწყობილობის სიჩქარის რეგულირება შესაძლებელია, როდესაც ის ჩართულია ან შესხურების დროს.
- სიჩქარის ღილაკზე ყოველი დაჭერისას, სიჩქარე იცვლება მაღალ, TURBO დონესა და დაბალ დონეს შორის. სიჩქარის ინდიკატორზე აინთება ერთი, ორი ან სამი მწვანე შუქი, რაც მიუთითებს იმაზე, რომ დაწნეული სარეცხი მოწყობილობა მუშაობს დაბალ სიჩქარეზე, მაღალ სიჩქარეზე ან TURBO-ზე, შესაბამისად.

შენიშვნა: როდესაც მხოლოდ ერთი აკუმულატორის ბლოკია ჩასმული, TURBO სიჩქარის მიღწევა შეუძლებელია და ყოველ ჯერზე, როცა სიჩქარის ღილაკზე დააჭერთ, სიჩქარე გადაინაცვლებს მაღალ და დაბალ დონეს შორის.

შენიშვნა: თუ დაწნეული სარეცხი მოწყობილობა აგრძელებს მუშაობას TURBO სიჩქარით, ამან შეიძლება გავლენა იქონიოს თითო დამუხტვის ხანგრძლივობაზე.

სარეცხი საშუალებით წმენდა

▲ გაფრთხილება: გამოიყენეთ მხოლოდ ის სარეცხი საშუალებები, რომლებიც სპეციალურად შექმნილია დაწნეული სარეცხ მოწყობილობასთან გამოსაყენებლად. დაიცავით სარეცხი საშუალებების მწარმოებლის გამოყენების, განადგურებისა და უსაფრთხოების ინსტრუქციები.

1. გადაატრიალეთ ქაფის გამომშვების ბოთლი საათის ისრის საწინააღმდეგოდ და მოხსენით (ნახ. L1).
2. ჩაასხით სარეცხი საშუალება ბოთლში.

შენიშვნა: სარეცხი საშუალების ტემპერატურა არ უნდა აღემატებოდეს 60 °C-ს.

3. შეცვალეთ ქაფის გამომშვები და შეაერთეთ იგი პისტოლეტის სწრაფასართთან.
4. დაატრიალეთ სარეცხი საშუალების ღილაკი, რათა დაარეგულიროთ წყლის ნაკადში დამატებული სარეცხი ნივთიერების რაოდენობა თქვენნი საჭიროების მიხედვით (ნახ. L2).

ტექნიკური მომსახურება

▲ გაფრთხილება: სერიოზული პერსონალური ზიანისგან თავის არიდების მიზნით, მოხსენით აკუმულატორი ხელსაწყო ტექნიკური სერვისის, გაწმენდის, მისამაგრებელი ელემენტების შეცვლის ან ნარჩენი ნივთიერების მოცილების დროს.

ზოგადი სახის ტექნიკური მომსახურება

მოკრიდეთ გამხსნელების გამოყენებას მოწყობილობის პლასტმასის ნაწილების გაწმენდისას. პლასტმასების უმეტესობა ადვილად ზიანდება მათზე სხვადასხვა სახის კომერციული გამხსნელების გამოყენების შედეგად. გამოიყენეთ სუფთა ტილო ტალახის, მტვრის, ზეთის, ცხიმის და სხვ. მოსაცილებლად.

▲ გაფრთხილება: არცერთ შემთხვევაში არ მისცეთ სამუხრუჭე სითხეს, ბენზინს, ნავთობის ბაზაზე დამზადებულ პროდუქტებს ან სხვა ძლიერ გამხსნელს და ა.შ. იყენებენ პლასტმასის ნაწილებთან კონტაქტში. ქიმიურმა ნაერთებმა შესაძლოა დააზიანოს, გაცვიტოს და დაშალოს პლასტმასი, რამაც შეიძლება მოგაყენოთ სერიოზული ზიანი.

▲ გაფრთხილება: მოკლე ჩართვით გამოწვეული ხანძრის, პირადი დაზიანებისა და პროდუქტის დაზიანების რისკის შესამცირებლად, არასოდეს ჩადოთ თქვენი ხელსაწყო, აკუმულატორის ბლოკი ან დამტენი სითხეში და არ დაუშვათ ხელსაწყოში სითხის მოხვედრა. კოროზიულმა ან გამტარმა სითხეებმა, როგორცაა ზღვის წყალი, გარკვეული სამრეწველო ქიმიკატები და მათეთრებელი ან მათეთრებელის შემცველი პროდუქტები და ა.შ., შეიძლება გამოიწვიოს მოკლე ჩართვა.

მრგვალი ელემენტის გამოცვლა (ნახ. M1&M2)

▲ გაფრთხილება: შეინახეთ ბაემვებისთვის მიუწვდომელ ადგილას. გადაყლაპვამ შეიძლება გამოიწვიოს ქიმიური დამწვრობა, რბილი ქსოვილების გახვრეტა და სიკვდილი. მძიმე დამწვრობა შეიძლება მოხდეს ჩაყლაპვიდან 2 საათში. სასწრაფოდ მიმართეთ

სამედიცინო დახმარებას.

შენიშვნა: არასოდეს ჩაამაგრეთ აკუმულატორი პირდაპირ ნაკვეთურში (ნახ. M3). წინააღმდეგ შემთხვევაში, ორი სამაგრი დაზიანდება, რაც გამოიწვევს პისტოლეტის დისტანციური მართვის გაუმართაობას.

M3-1	სამაგრები
------	-----------

შენიშვნა: ხელახლა დააწყვილეთ პისტოლეტი დაწვეულ სარეცხ მოწყობილობასთან მას შემდეგ, რაც პატარა ზომის მრგვალ ელემენტს შეცვლით **მოკლე დაწვეული პისტოლეტის დაწყვილება**“ ნაწილში მოცემული ინსტრუქციის შესაბამისად.

ფილტრების გაწმენდა

- გახსენით და მოხსენით ღილაკი წყლის შემშვებ პორტს, შემდეგ კი ამოიღეთ ლითონის ბადე წყლის შემშვებიდან, გარეცხეთ ლითონის ბადე ან საჭიროების შემთხვევაში შეცვალეთ ის (ნახ. N1).

N1-1	ლითონის ბადე
------	--------------

- მოხსენით ფილტრი სიფონის შლანგიდან, ამოიღეთ ფილტრი და შემდეგ კარგად გარეცხეთ (ნახ. N2).

ფრქვევანების გაწმენდა (ნახ. O)

როდესაც ფრქვევანას ხვრელები დახშულია, შეგიძლიათ გამოიყენოთ მოწოდებული ფრქვევანას საწმენდი ნემსი ხვრელების გასაწმენდად და გაქედვის მოსახსნელად.

დაწვეული სარეცხი მოწყობილობის ტრანსპორტირება (ნახ. P)

დააჭირეთ სახელურის ჩამკვეტ ღილაკს, შემდეგ მოქაჩეთ ტელესკოპური სახელური პირველი სიგრძის დონემდე, სანამ არ გაიგებთ „ტკაცუნს“. თუ გსურთ, შეგიძლიათ დააჭიროთ სახელურის დაბლოკვის ღილაკს და შემდეგ გადაიყვანოთ ტელესკოპური სახელური მეორე სიგრძის დონეზე.

დაწნეული სარეცხი მოწყობილობის შენახვა

1. გააჩერეთ დაწნეული სარეცხი მოწყობილობა, გაათავისუფლეთ წნევა, დაცალეთ წყალი და ამოიღეთ აკუმულატორის ბლოკი დაწნეული სარეცხი მოწყობილობიდან „**დაწნეული სარეცხი მოწყობილობის გაჩერება**“ ნაწილში მითითებული სახით.
2. შეინახეთ ფრქვევანები დაწნეული სარეცხი მოწყობილობის ფრქვევანების შესანახ ზონაში (ნახ. Q1).
3. დაგრაგნეთ მაღალი წნევის შლანგი და შეინახეთ ტელესკოპური სახელურის უკან (ნახ. Q2).
4. შეინახეთ პისტოლეტი, ბარჯი და ჯოხი დამჭერის სამაგრებში ან მოხსენით პისტოლეტი და შეინახეთ იგი დამჭერის ზედა სამაგრებით (ნახ. Q3).
5. შენახვამდე საგულდაგულოდ გაწმინდეთ დაწნეული წყლის სარეცხი მოწყობილობა.
6. შეინახეთ მოწყობილობა მშრალ, კარგად განიავებად ადგილას ჩაკეტილ და მაღალ სათავსოში, ბავშვებისთვის მიუწვდომელ ადგილას. არ შეინახოთ მოწყობილობა სასუქის, ბენზინის და სხვა ქიმიური ნივთიერებების სიახლოვეს.

გარემოს დაცვა



არ მოათავსოთ ელექტრული მოწყობილობა, დამტენი და აკუმულატორი / მისი ბატარეები საყოფაცხოვრებო ნაგავში! მიუტანეთ ისინი ავტორიზირებულ ნარჩენების გადამამუშავებელს და მოახდინეთ ასეთი ნარჩენის განცალკევებულად შეროვება. ელექტრო ხელსაწყოები უნდა ჩაბარდეს ნარჩენების გადამამუშავებელ ობიექტს.

KA



დიაგნოსტიკა

პრობლემა	გამომწვევი მიზეზი	გადაჭრის გზა
დაწნეული სარეცხი მოწყობილობა ვერ ირთვება.	<ul style="list-style-type: none"> აკუმულატორის ბლოკი დაცლილია. აკუმულატორის ბლოკი არ არის დაყენებული სწორად. 	<ul style="list-style-type: none"> დატენეთ აკუმულატორის ბლოკი. შეაცურეთ აკუმულატორის ბლოკი აკუმულატორის ნაკვეთურში, სანამ არ გაიგებთ "დაწკაპუნების" ხმას.
TURBO სიჩქარის გააქტიურება ვერ მოხერხდა.	<ul style="list-style-type: none"> სარეცხი მოწყობილობის მუშაობისას გამოიყენება აკუმულატორის მხოლოდ ერთი ბლოკი. 	<ul style="list-style-type: none"> გამოიყენეთ ორი 5.0Ah ან მეტი სიმძლავრის აკუმულატორის ბლოკი.
დაწნეული სარეცხი მოწყობილობის ტუმბო წყვეტს მუშაობას და მოწყობილობის სიჩქარის მაჩვენებელზე გაანათებს სამი მწვანე ნათურა.	<ul style="list-style-type: none"> დაწნეული სარეცხი მოწყობილობა ან აკუმულატორის ბლოკ(ებ)ი გადახურებულია. ფრქვევანა დაბლოკილია. სიფონის შლანგში წყალი არ მიედინება. აკუმულატორის ბლოკი დაცლილია. სხვა ელექტრო გაუმართაობა. 	<ul style="list-style-type: none"> დაელოდეთ, სანამ დაწნეული სარეცხი მოწყობილობა ან აკუმულატორის ბლოკ(ებ)ი დაუბრუნდება სამუშაო ტემპერატურას და შემდეგ გადატვირთეთ მოწყობილობა. გამოიყენეთ ფრქვევანას საწმენდი ნემსი ხვრელების გასაწმენდად. შეამოწმეთ და დარწმუნდით, რომ წყალი სათანადოდ მიედინება სიფონის შლანგში. დატენეთ აკუმულატორის ბლოკი. მიმართეთ EGO-ს კლიენტთა მომსახურების სამსახურს.

KA

პრობლემა	გამომწვევი მიზეზი	გადაჭრის გზა
შესხურებისას წყლის ნაკადი დაბალია.	<ul style="list-style-type: none"> ■ ფილტრი ნაწილობრივ გაჭედილია. ■ წყლის შემომყვანის პორტში ლითონის ბადე ნაწილობრივ გაჭედილია. ■ სიფონის შლანგის ფილტრი და სწრაფგასართის სახსარი ბოლომდე არ არის ჩამირული წყალში. ■ სიფონის შლანგი დაკეცილია. ■ წყალი ჭუჭყიანია. ■ მაღალი წნევის შლანგი გაჭედილია. 	<ul style="list-style-type: none"> ■ გაწმინდეთ ფილტრი. ■ ამოიღეთ და გაასუფთავეთ ლითონის ბადე. ■ სრულად მოათავსეთ ფილტრი და სწრაფგასართის სახსარი წყალში. ■ გაშალეთ სიფონის შლანგი ან შეცვალეთ იგი. ■ გამოიყენეთ მხოლოდ სუფთა წყალი. ■ ამოიღეთ ფრქვევანა და შემდეგ დაიწყეთ წყლის შესხურება შლანგიდან, რათა გაასუფთავოთ გაჭედილი შლანგი.
წყალი არ იფრქვევა.	<ul style="list-style-type: none"> ■ წყლის მიწოდება არ ხდება. ■ ფილტრი მთლიანად გაჭედილია. ■ ლითონის ბადე წყლის შემყვან პორტში მთლიანად გაჭედილია. ■ ფრქვევანა დაბლოკილია. ■ ტუმბო, შლანგები ან სხვა კომპონენტები გაყინულია. 	<ul style="list-style-type: none"> ■ შეამოწმეთ და დარწმუნდით, რომ სარეცხი მოწყობილობა სწორად არის დაკავშირებული წყალმომარაგებასთან. ■ გაწმინდეთ ფილტრი. ■ ამოიღეთ და გაასუფთავეთ ლითონის ბადე. ■ გამოიყენეთ ფრქვევანას საწმენდი ნემსი ხვრელების გასაწმენდად. ■ დაელოდეთ, სანამ გალღვება.
წყლის ნაკადი არ არის სტაბილური.	<ul style="list-style-type: none"> ■ ჰაერი შედის სარეცხ მოწყობილობაში. ■ ტუმბოს ლუქები გაცვეთილია. 	<ul style="list-style-type: none"> ■ შეამოწმეთ და დარწმუნდით, რომ სიფონის შლანგი სწორად არის დაკავშირებული. ■ მიმართეთ EGO-ს კლიენტთა მომსახურების სამსახურს.
წყლის შესხურება ავტომატურად იწყება ან ჩერდება.	<ul style="list-style-type: none"> ■ დაზიანებულია მაღალი წნევის შლანგი. ■ პისტოლეტიდან ხდება წყლის გაჟონვა. ■ ტუმბოს ლუქები, შლანგის ლუქები გაცვეთილია. 	<ul style="list-style-type: none"> ■ შეცვალეთ ახალი მაღალი წნევის შლანგი. ■ მიმართეთ EGO-ს კლიენტთა მომსახურების სამსახურს. ■ მიმართეთ EGO-ს კლიენტთა მომსახურების სამსახურს.

KA

პრობლემა	გამომწვევი მიზეზი	გადაჭრის გზა
<p>პისტოლეტი ვერ აკონტროლებს სარეცხ მოწყობილობას.</p>	<ul style="list-style-type: none"> ▪ პისტოლეტის პოზიცია სცილდება უკაბელო კავშირის დიაპაზონს. ▪ პატარა მრგვალი ელემენტის დამუხტვის დონე დაბალია. ▪ პისტოლეტი არ არის სწორად დაწყვილებული. ▪ პატარა მრგვალი ელემენტი არ არის დაყენებული სწორად. 	<ul style="list-style-type: none"> ▪ მიიტანეთ პისტოლეტი დაწნეულ სარეცხ მოწყობილობასთან ახლოს. ▪ შეცვალეთ ახალი მრგვალი ელემენტით. ▪ დაასრულეთ დაწყვილება "მოკლე დაწნეული პისტოლეტის დაწყვილება" ნაწილის ინსტრუქციის მიხედვით. ▪ დაამონტაჟეთ პატარა მრგვალი ელემენტი "პატარა ელემენტის გამოცვლა" ნაწილში მოცემული ინსტრუქციის შესაბამისად.

გარანტია

EGO-ს საგარანტიო პოლიტიკა

გთხოვთ, ეწვიოთ ვებ-გვერდს egopowerplus.eu, და გაეცნოთ EGO-ს საგარანტიო მომსახურების წესებს და პირობებს სრულად.

PROČITAJTE SVA UPUTSTVA!



PROČITAJTE PRIRUČNIK ZA RUKOVAOCA

⚠ UPOZORENJE: Da bi se osigurala sigurnost i pouzdanost, sve popravke treba da radi kvalifikovani servisni tehničar.

SIGURNOSNI SIMBOL

Svrha sigurnosnih simbola je da vam skrenu pažnju na moguće opasnosti. Sigurnosni simboli i objašnjenja uz njih zaslужuju vašu pognu pažnju i shvatanje. Simboli upozorenja, sami po sebi, ne eliminišu nikakve opasnosti. Uputstva i upozorenja koja oni daju nisu zamena za odgovarajuće mere sprečavanja nezgoda.

⚠ UPOZORENJE: Obavezno pročitajte i shvatite sva sigurnosna uputstva u ovom Priručniku za rukovaoca, obuhvatajući i sve simbole sigurnosnih upozorenja poput „**OPASNOST**“, „**UPOZORENJE**“ i „**OPREZ**“ pre korišćenja ove mašine. Nepridržavanje svih dole navedenih uputstava može da dovede do strujnog udara, požara i/ili ozbiljne telesne povrede.

⚠ UPOZORENJE: Rizik od požara i opekotina. Ne rasklapajte, ne zagrevajte iznad 100 °C, niti spaljujte. Držite bateriju van domašaja dece i u originalnoj ambalaži dok ne budete spremni da je koristite. Potrošene baterije odmah odložite na otpad u skladu sa lokalnim propisima o recikliranju ili otpadu.

SIGURNOSNA UPUTSTVA

Ova stranica prikazuje i opisuje sigurnosne simbole koji mogu da se pojave na ovom proizvodu. Pročitajte, shvatite i sledite sva uputstva na mašini pre no što pokušate da je sklopite i da rukujete njom.



Sigurnosno upozorenje



Radi smanjenja opasnosti od povreda, korisnik treba da pročita priručnik za rukovaoca.



Nikad ne prskajte sebe, druge ljude, životinje, izvore struje ili samu jedinicu.



Ovaj proizvod je u skladu sa primenljivim Direktivama EU.



Ne priključujte na mrežu pijaće vode.



Ocenjena usklađenost u UK



Otpadni električni proizvodi ne smeju da se odlažu sa otpadom iz domaćinstva. Odnosite ih u ovlašćeni centar za reciklažu.



Pritisak vode



Protok vode



Radna temperatura



Jednosmerna struja



Kilogram



Napon



Megapaskal

SR

IPX5 Zaštita od mlazova vode

⚠ UPOZORENJE: Pročitajte i shvatite sva uputstva pre korišćenja mašine. Nepridržavanje svih dolenađenih uputstava može da dovede do strujnog udara, požara i/ili ozbiljne telesne povrede.

⚠ UPOZORENJE: Tokom korišćenja čistača pod visokim pritiskom može doći do formiranja aerosola. Udisanje aerosola može da bude opasno po zdravlje.

⚠ UPOZORENJE: Mlaz pod visokim pritiskom može da bude opasan ako se pogrešno upotrebljava. Mlaz se ne sme usmeravati prema ljudima, električnoj opremi pod naponom ili prema samoj mašini.

⚠ UPOZORENJE: Ne koristite mašinu u dometu ljudi osim ako oni ne nose zaštitnu odeću.

⚠ UPOZORENJE: Ne usmeravajte mlaz prema sebi ili drugima da biste oprali odeću ili obuću.

⚠ UPOZORENJE: Rizik od eksplozije – ne prskajte zapaljive tečnosti.

⚠ UPOZORENJE: Čistače pod visokim pritiskom ne smeju da koriste deca ili nekvalifikovano osoblje.

⚠ UPOZORENJE: Creva, komponente i spojnice pod visokim pritiskom su važni za bezbednost mašine.

⚠ UPOZORENJE: Voda koja je protekla kroz zaštitnike od povratnog toka se smatra da nije za piće.

⚠ UPOZORENJE: Ne koristite mašinu ako su važni delovi mašine oštećeni, npr. sigurnosni uređaji, creva pod visokim pritiskom, kratki pištolj pod pritiskom.

⚠ UPOZORENJE: U zavisnosti od primene, zaštićene mlaznice se mogu koristiti za pranje pod visokim pritiskom, što će dramatično smanjiti emisiju vodenih aerosola. Međutim, u nekim primenama nije moguće korišćenje takvog uređaja. Ako se zaštićene mlaznice ne mogu primeniti za zaštitu od aerosola, možda će biti potrebna respiratorna maska klase FFP 2 ili ekvivalentna, u zavisnosti od okruženja pranja.

- Ova mašina nije namenjena da je upotrebljavaju osobe (obuhvatajući decu) sa smanjenim fizičkim, senzornim ili mentalnim sposobnostima ili sa nedostatkom iskustva i znanja. Decu treba nadzirati da bi se osiguralo da se ne igraju aparatom.
- Znajte kako da brzo zaustavite proizvod i smanjite pritisak. Temeljno se upoznajte sa kontrolama.
- Sprečite nehotično pokretanje. Osigurajte da prekidač bude u isključenom položaju pre povezivanja na bateriju, podizanja ili nošenja uređaja. Nošenje aparata sa prstom na prekidaču ili stavljanje pod napon uređaja čiji prekidač je u uključenom položaju priziva nezgode.
- Uvek budite svesni opasnosti sile reakcije i iznenadnog obrtnog momenta na sklop prskanja kad rukujete pištoljem.
- Ne izlažite aparat ili bateriju ekstremnim temperaturama.
- Budite svesni rizika terminala aparata na baterije ili kratkog spoja baterije metalnim predmetima.
- Punjive baterije se moraju izvaditi iz aparata pre punjenja.
- Različiti tipovi baterija ili nove i korišćene baterije se ne smeju mešati.
- Istrošene baterije treba ukloniti iz aparata i bezbedno odložiti na otpad.
- Ako se aparat skladišti nekorisćen na duži period, baterije treba ukloniti.
- Ne koristite nepunjive baterije umesto punjivih baterija.
- Ne koristite modifikovane ili oštećene baterije.
- **Koristite samo sa navedenim baterijama i punjačima.**

Sačuvajte ovo uputstvo. Često ga pregledajte i koristite ga da uputite druge koji će možda koristiti ovu mašinu. Ako pozajmite nekom ovu mašinu, pozajmite i ovo uputstvo da bi se sprečila pogrešna upotreba proizvoda i eventualna povreda.

SPECIFIKACIJE

Napon	56 V
Maksimalni nazivni pritisak	135 bara
Maksimalni nazivni protok (sa spojenom cevi za brzo povezivanje i štapom od nerđajućeg čelika)	6,5 L/min
Maksimalni nazivni protok (samo sa spojenim kratkim pištoljem za pritisak)	9,5 L/min
Ograničenje maksimalnog pritiska za pištolj	250 bara
Ograničenje maksimalnog protoka za pištolj	30 L/min
Težina (bez baterije)	16,8 kg
Preporučena radna temperatura	Od 5 do 40 °C
Preporučena temperatura skladištenja	Od -20 do +70 °C
Izmereni nivo zvučne snage L_{WA}	84 dB(A) K=1,8 dB(A)
Nivo zvučnog pritiska na uhu rukovaoca L_{PA}	72 dB(A) K=3 dB(A)
Garantovani nivo zvučne snage L_{WA} (izmereno u skladu sa Direktivom 2000/14/EC)	86 dB(A)
Vibracije a_n	3,6 m/s ² K=0,9 m/s ²

- Deklarisana ukupna vrednost vibracije je izmerena u skladu sa standardnim metodom testiranja i može se koristiti za upoređivanje jednog alata sa drugim;
- Deklarisana ukupna vrednost vibracije može se koristiti i u preliminarnoj proceni izlaganja.

OBAVEŠTENJE: Emisija vibracija tokom stvarne upotrebe električnog alata može da se razlikuje od deklarisanе vrednosti u kojoj se alat koristi. Da bi se rukovalac zaštitio, korisnik bi trebalo da nosi rukavice i štitnike za uši u stvarnim uslovima korišćenja.

PREPORUČENI DODACI

⚠ UPOZORENJE: Koristite samo pribor naveden ispod. Upotreba pribora koji ne ispunjava specifikacije originalne opreme može da dovede do nepravilnog rada i kompromitovane bezbednosti.

NAZIV DELA	BROJ MODELA
Premijum top za penu	AFC2000E
Turbo mlaznica	ANZ2000E-T
Mlaznica pod 15°	ANZ2015E
Mlaznica pod 25°	ANZ2025E
Mlaznica pod 40°	ANZ2040E
Mlaznica za ispiranje	ANZ2000E-R

POPIS PAKOVANJA (SLIKA A1)

OPIS

UPOZNAJTE SVOJ PERAČ POD PRITISKOM (slika A1)

1. Teleskopska ručka
2. Dugme za zaključavanje drške
3. Gornji držač
4. Točak (2 kom.)
5. Donji držač
6. Port za ulaz vode
7. Port za izlaz vode
8. Dugme za brzinu
9. Indikator brzine
10. Dugme napajanja
11. Odeljak za baterije
12. Skladište za mlaznice
13. Poklopac odeljka za baterije
14. Električni kontakti
15. Mehanizam za izbacivanje
16. Dugme za otpuštanje baterije
17. Kaiš držača creva
18. Štap od nerđajućeg čelika
19. Cev za brzo povezivanje
20. Crevo za visok pritisak
21. Sifon crevo
22. Komplet brzih spojnica (x2)
23. Top za penu
24. Filter
25. Igla za čišćenje mlaznica
26. Mlaznica za ispiranje
27. Mlaznica pod 40°

SR

- 28. Mlaznica pod 25°
- 29. Mlaznica pod 15°
- 30. TURBO mlaznica
- 31. Kratki pištolj za pritisak
- 32. Poklopac baterije
- 33. Pokazivač goriva sa 5 LED lampica
- 34. Indikator brzine
- 35. Dugme za brzinu
- 36. Drška pištolja
- 37. Okidač
- 38. Dugme za zaključavanje

SKLAPANJE

INSTALIRANJE SKLOPA DRŽAČA (slika B)

B-1	Gornji držač	B-2	Donji držač
B-3	Vijci		

SPAJANJE CREVA ZA VISOK PRITISAK (slika C – slika D)

Crevo za visok pritisak možete da spojite na jedan od sledećih načina:

- Spojite crevo za visok pritisak na port za izlaz vode i pištolj direktno koristeći konektore sa navojem (slika C1 – slika C2);
- Spojite crevo za visok pritisak na port za izlaz vode i pištolj koristeći dva kompleta brzih spojnica da biste ostvarili laku instalaciju/uklanjanje (slika D1 – slika D2).

NAPOMENA: Kompleti brzih spojnica su instalirani na port za izlaz vode, crevo za visok pritisak i pištolj u fabrici.

SPAJANJE CEVI I ŠTAPA (slika E1 – slika E2)

Za odvajanje, odvrnite štap sa cevi a zatim ga izvucite; olabavite dugme na cevi a zatim povucite unazad spoljašnji prsten brze spojnice pištolja da biste izvukli cev.

⚠ UPOZORENJE: Uvek držite pištolj jednom rukom a cev drugom rukom kad odvajate cev od pištolja. Može doći do telesnih povreda ako cev padne.

SPAJANJE MLAZNICE (slika F1 / slika F2)

NAPOMENA: Mlaznice se ne mogu spojiti na cev.

- Izaberite mlaznicu pod 15°, mlaznicu pod 25°, mlaznicu u pod 40° ili turbo mlaznicu za instalaciju na štap (slika F1).

- Mlaznica za ispiranje se spaja na pištolj direktno (slika F2).

F2-1	Mlaznica za ispiranje
------	-----------------------

⚠ UPOZORENJE: Uvek držite pištolj jednom rukom a mlaznicu drugom rukom kad odvajate mlaznicu od pištolja. Može doći do telesnih povreda ako mlaznica iskoči.

Koristite tabelu ispod da izaberete pravu mlaznicu za posao koji treba da uradite.

Izbor mlaznice	Primene
Žuta mlaznica pod 15°	Pranje malih metalnih, betonskih ili drvenih površina.
Zelena mlaznica pod 25°	Pranje većih metalnih, betonskih ili drvenih površina.
Bela mlaznica pod 40°	Pranje širokih metalnih, betonskih, drvenih ili vinilskih površina.
Siva mlaznica za ispiranje	Ispiranje vozila. Ispiranje deterdženta sa metala, betona, drveta ili vinila.
Turbo mlaznica	Pranje samo tvrdih površina. Da biste sprečili oštećenje površine, ne koristite na automobilima i drvenim površinama.

SPAJANJE TOPA ZA PENU (slika G)

Top za penu se spaja na pištolj direktno.

Za odvajanje, povucite unazad spoljašnji prsten brze spojnice a zatim izvucite top za penu.

SPAJANJE SIFON CREVA (slika H1 – slika H2)

Kad koristite kofu sa vodom (nije priložena) kao izvor vode, spojite perač pod pritiskom na sifon crevo.

NAPOMENA: Prethodno napunite kofu tako da filter ne ispliva na površinu kad se uroni.

SPAJANJE NA BAŠTENSKO CREVO (NIJE PRILožENO)

Kad koristite slavinu za vodu (nije priložena) kao izvor vode, spojite perač pod pritiskom na baštensko crevo (nije priloženo).

SR

F1-1	Mlaznica pod 15°	F1-2	Mlaznica pod 25°
F1-3	Mlaznica pod 40°	F1-4	TURBO mlaznica

RUKOVANJE

PRIMENA

Ovaj proizvod možete da upotrebljavate za svrhe navedene u nastavku:

- Pranje prijavštine sa automobila, zidova, podova itd.

POSTAVLJANJE/SKIDANJE BATERIJE

Upotrebljavajte samo baterije i punjače proizvođača EGO navedene na slici A2.

Pogledajte odgovarajuće priručnike za bateriju i punjač radi više detalja.

Baterije potpuno napunite pre prve upotrebe.

NAPOMENA: Korišćenje jedne baterije vam neće omogućiti da koristite TURBO brzinu. Za najbolje performanse izričito preporučujemo korišćenje dve baterije od 5,0 Ah ili više Ah.

1. Podignite poklopac odeljka za baterije tako što ćete podići prednji deo poklopca.
2. **Za spajanje**, poravnajte rebra baterije sa prorezima za montiranje u jednom odeljku i pritisnite bateriju nadole dok ne čujete „škljoc“. Spojite drugu bateriju (slika I1).
3. **Za odvajanje**, pritisnite dugme za otpuštanje baterije i izvucite bateriju (slika I2).

I2-1	Dugme za otpuštanje baterije
------	------------------------------

4. Zatvorite poklopac odeljka za baterije.

POKRETANJE/ZAUSTAVLJANJE PERAČA POD PRITISKOM (slika J)

Za pokretanje perača pod pritiskom

OBAVEŠTENJE: Ne pokrećite perač pod pritiskom bez spojenog i uključenog snabdevanja vodom. To može da ošteti zaptivke za visoki pritisak i smanji radni vek pumpe.

1. Osigurajte da sifon crevo, crevo za visoki pritisak, pištolj i mlaznica budu pravilno spojeni.
2. Spojite cev, štap, top za penu ili filter po potrebi.
3. Izaberite jedan od donjih načina snabdevanja vodom:
 - Kad koristite baštensko crevo (nije priloženo), spojite perač pod pritiskom na baštensko crevo a zatim otvorite slavinu za vodu.
 - Kad koristite kofu za vodu, spojite filter na sifon crevo a zatim potpuno uronite filter i spoj brze spojnice u kofu vode.

4. Instalirajte baterije.
5. Pritisnite dugme napajanja da biste uključili napajanje perača pod pritiskom. Perač će uvek raditi na velikoj brzini nakon svakog pokretanja.

NAPOMENA: Kad se uključi napajanje perača pod pritiskom ali nema daljih radnji, perač će se automatski isključiti nakon 5 minuta u pripravnosti. Tokom prvih nekoliko minuta pripravnosti, indikator brzine na peraču pod pritiskom će bljeskati tri zelena svetla, što označava da voda ne protiče u sifon crevo.

6. Držite pištolj sa obe ruke, pritisnite otključanu stranu dugmeta za zaključavanje a zatim pritisnite okidač dok ne dobijete ravnomeran protok vode.

NAPOMENA: Ako je cev spojena, držite pištolj jednom rukom a cev drugom rukom.

7. Počnite da perete prskanjem.

NAPOMENA: Možda će biti potrebno neko vreme da voda dođe od izvora i izađe iz mlaznice kao ravnomerno prskanje. Da biste brzo postigli ravnomeran protok vode, možete uraditi sledeće:

- a. Uklonite mlaznicu.
- b. Pritisnite okidač i sačekajte dok ravnomeran mlaz vode ne počne da izlazi iz štapa.
- c. Pustite okidač i ponovo instalirajte mlaznicu.

Za zaustavljanje perača pod pritiskom

1. Kad pranje bude gotovo, pustite okidač i pritisnite dugme za zaključavanje u zaključani položaj.
2. Pritisnite dugme napajanja da biste isključili napajanje perača pod pritiskom.
3. Zatvorite slavinu za vodu ili izvadite sifon crevo iz kofe za vodu.
4. Pritisnite dugme za zaključavanje na pištolju u otključani položaj i pritisnite okidač da biste ispustili vodu iz creva.

OBAVEŠTENJE: Pištolj, creva, štapove, mlaznice ili top za penu ne bi trebalo odvajati sve dok ima preostale vode u crevima.

5. Odvojite i uklonite pištolj, creva, štapove, mlaznice ili top za penu.
6. Pritisnite dugme napajanja da biste uključili napajanje perača pod pritiskom i ispustili vodu iz perača pod pritiskom.
7. Pritisnite dugme napajanja ponovo da biste isključili napajanje perača pod pritiskom.
8. Izvadite baterije.

SR

DALJINSKI UPRAVLJAČ

Pištolj se može upariti sa peraćem pod pritiskom da bi funkcionisao kao daljinski upravljač.

Uparivanje kratkog pištolja za pritisak (slika K)

1. Umetnite baterije i uključite napajanje peraća pod visokim pritiskom.
2. Dugo pritisnite dugme za brzinu na jedinici peraća pod visokim pritiskom dok tri zelena svetla na njemu ne počnu da bljeskaju.

NAPOMENA: Bljeskanje će trajati približno 20 s pa se pištolj može upariti samo tokom ovog vremena. Možete i da kratko pritisnete dugme za brzinu na peraću da biste izašli iz režima uparivanja u bilo kom trenutku.

3. Dugo pritisnite dugme za brzinu na pištolju dok njegova tri zelena svetla ne počnu da bljeskaju, što znači da je proces uparivanja počeo.

NAPOMENA: Bljeskanje ukazuje da će proces uparivanja trajati približno 10 s. Možete da kratko pritisnete dugme za brzinu na pištolju da biste izašli iz procesa uparivanja u bilo kom trenutku.

4. Indikatori brzine na peraću i pištolju će prikazati tri zelena svetla zajedno tokom 3 s da bi pokazali da je uparivanje uspešno a zatim će prikazati dva zelena svetla.
5. Ako uparivanje nije uspeo, indikatori brzine na peraću i pištolju će bljeskati tri zelena svetla a zatim se isključiti.

Korišćenje daljinskog upravljača

Nakon što je uparivanje završeno, pritisnite dugme za brzinu jednom na pištolju i pokazivač goriva sa 5 LED lampica i indikator brzine će se osvetliti. Pritisnite dugme za brzinu ponovo da biste zapravo promenili brzinu.

NAPOMENA:

- Pokazivač goriva sa 5 LED lampica i indikator brzine će se isključiti kad nema daljih radnji na dugmetu za brzinu na pištolju tokom 10 s.
- Pokazivač goriva sa 5 LED lampica pokazuje nivo napunjenosti baterije. Kad su instalirane dve baterije, on pokazuje nivo baterije sa većom napunjenošću.
- Indikator brzine na pištolju je uvek sinhronizovan sa indikatorom brzine na jedinici peraća pod pritiskom.

IZBOR BRZINE

- Brzina peraća pod pritiskom se može podesiti dugmetom za brzinu na peraću ili na uparenom pištolju.
- Brzina peraća pod pritiskom se može podesiti kad je uključeno napajanje peraća ili tokom prskanja.
- Svaki put kad se pritisne dugme za brzinu, brzina će se prebaciti između visokog nivoa, TURBO nivoa i niskog nivoa. Indikator brzine pokazuje jedno zeleno svetlo, dva zelena svetla ili tri zelena svetla koja znače da perać pod pritiskom radi malom brzinom, velikom brzinom, odnosno TURBO brzinom.

NAPOMENA: Kad je umetnuta samo jedna baterija, TURBO brzina se ne može postići i, svaki put kad se pritisne dugme za brzinu, brzina će se prebaciti između visokog nivoa i niskog nivoa.

NAPOMENA: Ako perać pod pritiskom nastavi da radi na TURBO brzini, to može da utiče na vreme rada po punjenju.

PRANJE DETERDŽENTOM

⚠ UPOZORENJE: Koristite samo deterdžente specifično proizvedene za upotrebu sa peraćima pod pritiskom. Pridržavajte se uputstva proizvođača deterdženta za primenu, odlaganje na otpad i bezbednost.

1. Okrenite flašu topa za penu suprotno kazaljki na satu i uklonite je (slika L1).
2. Sipajte deterdžent u flašu.

OBAVEŠTENJE: Temperatura deterdženta ne bi trebalo da prekorači 60 °C.

3. Vratite top za penu i spojite ga na brzu spojnicu na pištolju.
4. Okrenite dugme za deterdžent da biste podesili količinu deterdženta koji se dodaje u protok vode prema svojim potrebama (slika L2).

ODRŽAVANJE

⚠ UPOZORENJE: Da biste sprečili ozbiljne telesne povrede, izvadite bateriju iz proizvoda pre servisiranja, čišćenja, menjanja dodataka ili skidanja materijala sa jedinice.

OPŠTE ODRŽAVANJE

Izbegavajte korišćenje rastvarača kada čistite plastične delove. Većina plastike je podložna oštećenjima od raznih tipova komercijalnih rastvarača i može se oštetiti njihovom upotrebom. Koristite čistu vodu da uklonite prijavštinu, prašinu, ulje, masnoću itd.

⚠ UPOZORENJE: Nemojte ni u kom trenutku dozvoliti da kočiona tečnost, benzin, proizvodi na bazi petroleja, penetraciono ulje itd. dođu u kontakt sa plastičnim delovima. Hemikalije mogu da oštete, oslabe ili unište plastiku, što može da dovede do ozbiljne telesne povrede.

⚠ UPOZORENJE: Da biste smanjili rizik od požara, telesne povrede i oštećenja proizvoda zbog kratkog spoja, nikad ne potapajte mašinu, bateriju ili punjač u tečnost i ne dozvolite da tečnost uđe u njih. Korozivne ili provodničke tečnosti poput morske vode, određenih industrijskih hemikalija i izbeljivača ili proizvoda koji sadrže izbeljivač i sl. mogu da izazovu kratak spoj.

ZAMENA DUGMASTE BATERIJE (slika M1&M2)

⚠ UPOZORENJE: Čuvajte van domašaja dece. Gutanje može da dovede do hemijskih opekotina, perforacije mekog tkiva i smrti. Teške opekotine mogu da se pojave u roku od 2 h od gutanja. Odmah potražite medicinsku pomoć.

⚠ OBAVEŠTENJE: Nikad ne gurajte bateriju direktno u odeljak (slika M3). U suprotnom, dve kopče će se oštetiti i izazvati kvar daljinskog upravljača pištolja.

M3-1 Kopče

NAPOMENA: Ponovo uparite pištolj sa peračem pod pritiskom nakon što zamenite dugmastu bateriju prateći uputstva u odeljku „Uparivanje kratkog pištolja za pritisak“.

PRANJE FILTERA

- Odrvnite i uklonite dugme na portu za ulaz vode a zatim izvadite metalnu mrežicu iz porta za ulaz vode pa isperite ili zamenite metalnu mrežicu po potrebi (slika N1).

N1-1 Metalna mrežica

- Izvadite filter iz sifon creva, odvrnite filter a zatim ga temeljno isperite (slika N2).

PRANJE MLAZNICA (slika O)

Kad su rupice u mlaznicama blokirane, možete da upotrebite priloženu iglu za čišćenje mlaznica da je provučete kroz rupice i uklonite blokade.

TRANSPORTOVANJE PERAČA POD PRITISKOM (slika P)

Pritisnite dugme za zaključavanje drške a zatim izvucite teleskopsku dršku na prvi nivo dužine dok ne čujete „škljoc“. Ako želite, možete pritisnuti dugme za zaključavanje drške i zatim izvući teleskopsku dršku na drugi nivo dužine.

SKLADIŠTENJE PERAČA POD PRITISKOM

1. Zaustavite perač pod pritiskom, smanjite pritisak, ispuštite vodu i izvadite baterije iz perača pod pritiskom prateći uputstva u odeljku „Za zaustavljanje perača pod pritiskom“.
2. Čuvajte mlaznice u skladištu za mlaznice na peraču pod pritiskom (slika Q1).
3. Smotajte crevo za visok pritisak i čuvajte ga iza teleskopske drške (slika Q2).
4. Čuvajte sklop pištolja i cevi i štapa u držačima ili odvojite pištolj i čuvajte ga u gornjem držaču (slika Q3).
5. Temeljno očistite perač pod pritiskom pre no što ga skladištite.
6. Skladištite perač pod pritiskom na suvom, dobro provetrenom mestu, zaključan ili na visini, van domašaja dece. Ne skladištite perač pod pritiskom na ili pored đubriva, benzina ili drugih hemikalija.

Zaštita životne sredine



Ne odlažite električnu opremu, potrošene baterije i punjače u kućni otpad! Odnosite ovaj proizvod u ovlašćeni pogon za reciklažu ili ga odvojite od ostalog smeća radi zasebnog prikupljanja. Električni alati moraju se odneti u ekološki prihvatljiv pogon za reciklažu.

SR

REŠAVANJE PROBLEMA

PROBLEM	UZROK	REŠENJE
Perač pod pritiskom neće da uključi napajanje.	<ul style="list-style-type: none"> ■ Punjenje baterije je nisko. ■ Baterija nije pravilno instalirana. 	<ul style="list-style-type: none"> ■ Napunite bateriju. ■ Gurnite bateriju u odeljak za bateriju dok ne šklijocne na svoje mesto.
TURBO brzina ne može da se aktivira.	<ul style="list-style-type: none"> ■ Za rukovanje peračem se koristi samo jedna baterija. 	<ul style="list-style-type: none"> ■ Koristite dve baterije od 5,0 Ah ili više Ah.
Pumpa perača pod pritiskom prestaje da radi a indikator brzine na peraču bjeska tri zelena svetla.	<ul style="list-style-type: none"> ■ Perač pod pritiskom ili baterije imaju previsoku temperaturu. ■ Mlaznica je blokirana. ■ Voda ne teče u sifon crevo. ■ Punjenje baterije je nisko. ■ Druge greške elektronike. 	<ul style="list-style-type: none"> ■ Sačekajte dok se perač pod pritiskom ili baterije ne vrate na radnu temperaturu a onda ponovo pokrenite perač. ■ Uzmite iglu za čišćenje mlaznica i provucite je kroz rupice. ■ Proverite i osigurajte da voda pravilno teče u sifon crevo. ■ Napunite bateriju. ■ Obratite se EGO korisničkoj službi.
Protok vode je slab tokom prskanja.	<ul style="list-style-type: none"> ■ Filter je delimično blokirano. ■ Metalna mrežica u portu za ulaz vode je delimično blokirana. ■ Filter i spoj brze spojnice na sifon crevu nisu potpuno uronjeni u vodu. ■ Sifon crevo je presavijeno. ■ Voda je prijava. ■ Crevo za visok pritisak je blokirano. 	<ul style="list-style-type: none"> ■ Operite filter. ■ Izvadite i operite metalnu mrežicu. ■ Uronite filter i spoj brze spojnice potpuno u vodu. ■ Odmotajte sifon crevo ili ga zamenite. ■ Koristite samo čistu vodu. ■ Uklonite mlaznicu a zatim pokrenite prskanje vode iz creva da biste raščistili blokadu iz creva.

PROBLEM	UZROK	REŠENJE
Voda ne prska.	<ul style="list-style-type: none"> ■ Nema snabdevanja vodom. ■ Filter je potpuno blokiran. ■ Metalna mrežica u portu za ulaz vode je potpuno blokirana. ■ Mlaznica je blokirana. ■ Pumpa, creva ili druge komponente su zamrznuti. 	<ul style="list-style-type: none"> ■ Proverite i osigurajte da je perač pravilno spojen na napajanje vodom. ■ Operite filter. ■ Izvadite i operite metalnu mrežicu. ■ Uzmite iglu za čišćenje mlaznica i provucite je kroz rupice. ■ Sačekajte dok se ne odmrznu.
Protok vode nije stabilan.	<ul style="list-style-type: none"> ■ Vazduh ulazi u perač. ■ Zaptivke pumpe su pohabane. 	<ul style="list-style-type: none"> ■ Proverite i osigurajte da je sifon crevo pravilno spojeno. ■ Obratite se EGO korisničkoj službi.
Prskanje vode se automatski pokreće ili zaustavlja.	<ul style="list-style-type: none"> ■ Crevo za visok pritisak je oštećeno. ■ Voda curi iz pištolja. ■ Zaptivke pumpe, zaptivke creva su pohabane. 	<ul style="list-style-type: none"> ■ Zamenite novim crevom za visok pritisak. ■ Obratite se EGO korisničkoj službi. ■ Obratite se EGO korisničkoj službi.
Pištolj ne može da kontroliše perač.	<ul style="list-style-type: none"> ■ Položaj pištolja je van dometa bežične veze. ■ Napunjenost dugmaste baterije je niska. ■ Pištolj nije uparen pravilno. ■ Dugmasta baterija nije pravilno instalirana. 	<ul style="list-style-type: none"> ■ Približite pištolj peraču pod pritiskom. ■ Zamenite novom dugmastom baterijom. ■ Dovršite uparivanje prateći uputstva u odeljku „Uparivanje kratkog pištolja za pritisak“. ■ Instalirajte dugmastu bateriju prateći uputstva u odeljku „ZAMENA DUGMASTE BATERIJE“.

GARANCIJA

EGO POLITIKA GARANCIJE

Posetite veb-lokaciju egopowerplus.eu za potpune uslove i odredbe EGO politike garancije.

PROČITAJTE UPUTSTVO U CIJELOSTI!



PROČITAJTE KORISNIČKI PRIRUČNIK.

⚠ UPOZORENJE! Radi osiguranja sigurnosti i pouzdanosti, sve popravke treba obavljati kvalifikovani servisni tehničar.

SIGURNOSNI SIMBOL

Svrha sigurnosnih simbola je skretanje pažnje na moguće opasnosti. Sigurnosni simboli i njihova objašnjenja zahtijevaju vašu potpunu pažnju i razumijevanje. Simboli upozorenja sami po sebi ne isključuju opasnost. Uputstva i upozorenja koja simboli pružaju nisu zamjena za propisne mjere za prevenciju nesreća.

⚠ UPOZORENJE! Prije upotrebe ove mašine pobrinite se da sva sigurnosna uputstva u ovom korisničkom priručniku, uključujući sve sigurnosne simbole kao što su "OPASNOST", "UPOZORENJE" i "OPREZ" pročitate s razumijevanjem. Zanemarivanje svih uputstava navedenih u nastavku može rezultirati strujnim udarom, požarom i/ili teškim tjelesnim povredama.

⚠ UPOZORENJE! Opasnost od požara i opekotina. Nemojte rastavljati, zagrijavati na temperature iznad 100 °C ili spaljivati. Držite bateriju van dohvata djece i u originalnom pakovanju dok ne bude spremna za upotrebu. Iskorištene baterije odmah odložite u skladu s lokalnim propisima za reciklažu ili odlaganje otpada.

SIGURNOSNA UPUTSTVA

Na ovoj stranici slikovno su prikazani i objašnjeni sigurnosni simboli koji se mogu pojaviti na ovom proizvodu. Prije pokušaja sastavljanja i rukovanja, s razumijevanjem pročitajte sva uputstva na proizvodu i pridržavajte ih se.



Simbol upozorenja.



Radi smanjenja opasnosti od povreda, korisnik treba pročitati korisnički priručnik.



Nemojte nikada prskati sebe, druge osobe, životinje, izvore napajanja ili sam uređaj.



Ovaj proizvod je u skladu s primjenjivim direktivama EU.



Uređaj nemojte priključivati na vodovodnu mrežu.



Usklađenost ispitana u Velikoj Britaniji



Otpadni električni proizvodi ne smiju se odlagati s otpadom iz domaćinstva. Odnosite ih u ovlaštenu centar za reciklažu.



Pritisak vode



Protok vode



Radna temperatura



Istosmjerna struja



kg Kilogram



Napon



MPa Megapaskal

°C Celzijus

L/min Litara u minuti

IPX5 Zaštita od vodenih mlazova

⚠ UPOZORENJE! Prije upotrebe mašine s razumijevanjem pročitajte sva uputstva. Zanemarivanje svih uputstava navedenih u nastavku može rezultirati strujnim udarom, požarom i/ili teškim tjelesnim povredama.

⚠ UPOZORENJE! Prilikom upotrebe čistača pod visokim pritiskom mogu se stvoriti aerosoli. Udisanje aerosola može biti opasno za zdravlje.

⚠ UPOZORENJE! Mlaznice pod visokim pritiskom mogu biti opasne ako se nepravilno upotrebljavaju. Mlaz se ne smije usmjeravati na osobe, električne uređaje pod naponom ili samu mašinu.

⚠ UPOZORENJE! Mašinu nemojte upotrebljavati u blizini osoba osim ako ne nose zaštitnu odjeću.

⚠ UPOZORENJE! Nemojte usmjeravati mlaz prema sebi ili drugima radi čišćenja odjeće ili obuće.

⚠ UPOZORENJE! Opasnost od eksplozije – Nemojte raspršivati zapaljive tekućine.

⚠ UPOZORENJE! Čistače pod visokim pritiskom ne smiju upotrebljavati djeca ili neobučeno osoblje.

⚠ UPOZORENJE! Crijeva visokog pritiska, priključci i spojnice važni su za sigurnost mašine.

⚠ UPOZORENJE! Voda koja je prošla kroz elemente za sprečavanje povratnog toka smatra se nepitkom.

⚠ UPOZORENJE! Mašinu nemojte upotrebljavati ako su oštećeni važni dijelovi mašine, kao što su npr. sigurnosni uređaji, crijeva visokog pritiska, kratki pištolj pod pritiskom.

⚠ UPOZORENJE! Zavisno od primjene, zaštićene mlaznice mogu se upotrebljavati za čišćenje pod visokim pritiskom, čime se drastično smanjuje emisija vodenih aerosola. Međutim, takav uređaj ne može se upotrebljavati za sve primjene. Ako zaštićene mlaznice za zaštitu od aerosola nisu primjenjive, može biti potreban FFP2 respirator ili ekvivalent, zavisno od okruženja čišćenja.

- Ova mašina nije predviđena da je upotrebljavaju osobe (uključujući djecu) ograničenih fizičkih, čulnih ili mentalnih sposobnosti ili nedovoljnog iskustva i znanja. Djecu je potrebno nadzirati da budete sigurni da se ne igraju uređajem.
- Upoznajte se s načinom brzog zaustavljanja proizvoda i rasterećenja pritiska. Detaljno se upoznajte s upravljačkim elementima.
- Spriječite nenamjerno pokretanje. Prije spajanja na komplet baterija, uzimanja ili nošenja uređaja uvjerite se da je prekidač u isključenom položaju. Nošenje uređaja s prstom na prekidaču ili napajanje uređaja koji ima uključen prekidač izaziva nesreće.
- Kada rukujete pištoljem, uvijek budite svjesni opasnosti od sile reakcije i iznenadnog zakretnog momenta na sklopu raspršivača.
- Ne izlažite uređaj ili bateriju visokim temperaturama.
- Imajte na umu rizik od kratkog spoja priključaka uređaja na baterijski pogon ili baterije metalnim predmetima.
- Punjive baterije je prije punjenja potrebno izvaditi iz uređaja.
- Ne smiju se kombinovati baterije različitih vrsta ili nove i korištene baterije.
- Istrošene baterije je potrebno izvaditi iz uređaja i sigurno zbrinuti.
- Ako se uređaj neće upotrebljavati duže vrijeme, bateriju je potrebno izvaditi.
- Nemojte upotrebljavati nepunjive baterije umjesto punjivih baterija.
- Nemojte upotrebljavati preinačene ili oštećene baterije.
- **Upotrebljavajte samo navedene kompletne baterija i punjače.**

Sačuvajte ova uputstva. Uputstvima se koriste često i upotrebljavajte ih za upućivanje drugih osoba koje mogu upotrebljavati ovu mašinu. Ako ovu mašinu nekom posudite, priložite i ovo uputstvo radi sprečavanja nepropisne upotrebe proizvoda i mogućih povreda.

TEHNIČKI PODACI

Napon	56 V
Maksimalni nazivni pritisak	135 bara
Maksimalni nazivni protok (s kopljem za brzo spajanje i spojenom cijevi od nehrđajućeg čelika)	6,5 l/min.
Maksimalni nazivni protok (samo sa spojenim kratkim pištoljem pod pritiskom)	9,5 l/min.
Ograničeni maksimalni pritisak za pištolj	250 bara
Ograničeni maksimalni protok za pištolj	30 l/min
Masa (bez kompleta baterija)	16,8 kg
Preporučena radna temperatura	5 °C – 40 °C
Preporučena temperatura skladištenja	-20 °C – 70 °C
Izmjereni nivo zvučne snage L_{WA}	84 dB(A) K = 1,8 dB(A)
Nivo zvučnog pritiska kod uha rukovaoca L_{PA}	72 dB(A) K = 3 dB(A)
Zagarantovani nivo zvučne snage L_{WA} (izmjereno u skladu s Direktivom 2000/14/EZ)	86 dB(A)
Vibracije a_n	3,6 m/s ² K = 0,9 m/s ²

- Deklarisane ukupne vrijednosti vibracija izmjerene su u skladu sa standardnom metodom ispitivanja i mogu se primjenjivati za poređenje jednog alata s drugim.
- Deklarisane ukupne vrijednosti vibracija mogu se primjenjivati i u preliminarnoj procjeni izloženosti.

NAPOMENA! Emisija vibracija tokom aktualne upotrebe električnog alata može se razlikovati od deklarisanе vrijednosti u kojoj se alat upotrebljavao; korisnik radi zaštite treba nositi rukavice i štitnike za uši u aktualnim uslovima upotrebe.

PREPORUČENI PRIBOR

▲ UPOZORENJE! Upotrebljavajte samo dodatnu opremu navedenu u nastavku. Upotreba dodatne opreme koja ne ispunjava zahtjeve specifikacija originalne opreme može rezultirati nepropisnim radnim učinkom i nedovoljnom sigurnošću.

NAZIV DIJELA	BRJ MODELA
Premium top za pjenu	AFC2000E
Turbo mlaznica	ANZ2000E-T
Mlaznica 15°	ANZ2015E
Mlaznica 25°	ANZ2025E
Mlaznica 40°	ANZ2040E
Mlaznica za ispiranje	ANZ2000E-R

SADRŽAJ PAKOVANJA (SL. A1)

OPIS

UPOZNAJTE SVOJ ČISTAČ POD PRITISKOM (sl. A1)

1. Teleskopska ručka
2. Dugme za zaključavanje ručke
3. Gornji nosač
4. Točak (x2)
5. Donji nosač
6. Ulazni priključak za vodu
7. Izlazni priključak za vodu
8. Dugme brzine
9. Indikator brzine
10. Dugme napajanja
11. Pretinac za komplet baterija
12. Prostor za odlaganje mlaznica
13. Poklopac pretinca za komplet baterija
14. Električni kontakti
15. Mehanizam za izbacivanje
16. Dugme za oslobađanje baterije
17. Traka za držanje crijeva
18. Cijev od nehrđajućeg čelika
19. Koplje za brzo spajanje
20. Crijevo visokog pritiska
21. Sifonsko crijevo
22. Komplet brzih spojnica (x2)
23. Top za pjenu
24. Filter
25. Iгла za čišćenje mlaznica
26. Mlaznica za ispiranje

27. Mlaznica 40°
28. Mlaznica 25°
29. Mlaznica 15°
30. TURBO mlaznica
31. Kratki pištolj pod pritiskom
32. Poklopac baterije
33. Indikator napunjenosti s 5 LED indikatora
34. Indikator brzine
35. Dugme brzine
36. Ručka pištolja
37. Okidač
38. Dugme za zaključavanje

SASTAVLJANJE

POSTAVLJANJE SKLOPA NOSAČA (sl. B)

B-1	Gornji nosač	B-2	Donji nosač
B-3	Vijci		

PRIKLJUČIVANJE CRIJEVA VISOKOG PRITISKA (sl. C – sl. D)

Crijevo visokog pritiska možete priključiti na jedan od sljedećih načina:

- Crijevo visokog pritiska priključite direktno na izlazni priključak za vodu i pištolj pomoću konektora s navojem (sl. C1 – sl. C2);
- Crijevo visokog pritiska priključite na izlazni priključak za vodu i pištolj s dva kompleta brzih spojnica za jednostavno postavljanje/uklanjanje (sl. D1 – sl. D2).

NAPOMENA! Kompleti brzih spojnica tvornički su postavljeni na izlazni priključak za vodu, crijevo visokog pritiska i pištolj.

PRIKLJUČIVANJE KOPLJA I CIJEVI (sl. E1 – sl. E2)

Za odvajanje odvrnite cijev s koplja i zatim je izvucite; otpustite dugme na koplju i zatim povucite vanjski prsten brze spojnice pištolja da izvučete koplje.

⚠ UPOZORENJE! Kad skidate koplje s pištolja, uvijek držite pištolj jednom rukom, a koplje drugom rukom. U slučaju pada koplja može doći do tjelesnih povreda.

PRIKLJUČIVANJE MLAZNICE (sl. F1 / sl. F2)

NAPOMENA! Mlaznice se ne mogu priključivati na koplje.

- Za postavljanje na cijev odaberite mlaznicu 15°, mlaznicu 25°, mlaznicu 40° ili Turbo mlaznicu (sl. F1).

F1-1	Mlaznica 15°	F1-2	Mlaznica 25°
F1-3	Mlaznica 40°	F1-4	TURBO mlaznica

- Mlaznica za ispiranje direktno se priključuje na pištolj (sl. F2).

F2-1 Mlaznica za ispiranje

⚠ UPOZORENJE! Kad skidate mlaznicu s pištolja, uvijek držite pištolj jednom rukom, a mlaznicu drugom rukom. U slučaju iskakanja mlaznice može doći do tjelesnih povreda.

Za odabir odgovarajuće mlaznice za posao upotrebljavajte sljedeću tabelu.

Odabir mlaznice	Primjene
Žuta mlaznica 15°	Čišćenje malih metalnih, betonskih ili drvenih površina.
Zelena mlaznica 25°	Čišćenje većih metalnih, betonskih ili drvenih površina.
Bijela mlaznica 40°	Čišćenje širokih metalnih, betonskih, drvenih ili vinilnih površina.
Siva mlaznica za ispiranje	Ispiranje vozila. Ispiranje sredstva za čišćenje s metala, betona, drveta ili vinila.
Turbo mlaznica	Čišćenje samo tvrdih površina. Kako biste izbjegli oštećenje površine, nemojte je upotrebljavati na automobilima i drvenim površinama.

PRIKLJUČIVANJE TOPA ZA PJENU (sl. G)

Top za pjenu direktno se priključuje na pištolj.

Za odvajanje povucite vanjski prsten brze spojnice i zatim izvucite top za pjenu.

PRIKLJUČIVANJE SIFONSKOG CRIJEVA (sl. H1 – sl. H2)

Kad kao izvor vode upotrebljavate kantu za vodu (nije u sadržaju isporuke), perać pod pritiskom priključite na sifonsko crijevo.

NAPOMENA! Prethodno napunite kantu tako da filter ne ispliva na površinu kada se potopi.

PRIKLJUČIVANJE NA VRTNO CRIJEVO (NIJE U SADRŽAJU ISPORUKE)

Kad kao izvor vode koristite slavinu (nije u sadržaju isporuke), perać pod pritiskom priključite na vrtno crijevo (nije u sadržaju isporuke).

RAD

PRIMJENA

Ovaj proizvod možete upotrebljavati za svrhe navedene u nastavku:

- Čišćenje prijavštine na automobilima, zidovima, podovima i sl.

POSTAVLJANJE/SKIDANJE KOMPLETA BATERIJA

Proizvod upotrebljavajte samo s EGO kompletima baterija i punjačima koji su navedeni na sl. A2.

Detaljne upute potražite u odgovarajućim priručnicima za komplete baterija i punjače.

Komplet baterija potpuno napunite prije prve upotrebe.

NAPOMENA! TURBO brzina ne može se postići upotrebom jednog kompleta baterija. Za najbolji radni učinak strogo preporučujemo upotrebu dva kompleta baterija od 5,0 Ah ili više.

1. Poklopac pretinca za baterije podignite podizanjem prednjeg dijela poklopcu.
2. **Za pričvršćivanje** poravnajte kontakte baterije s montažnim utorima i pritišćite komplet baterija prema dolje dok ne začujete zvuk "klikanja". Pričvrstite drugu bateriju (sl. I1).
3. **Za odvajanje** pritisnite dugme za oslobađanje baterije i izvucite komplet baterija (sl. I2).

I2-1	Dugme za oslobađanje baterije
------	-------------------------------

4. Zatvorite poklopac pretinca za baterije.

POKRETANJE/ZAUSTAVLJANJE PERAČA POD PRITISKOM (sl. J)

Pokretanje perača pod pritiskom

NAPOMENA! Perač pod pritiskom nemojte pokretati bez priključenog i uključenog dovoda vode. U slučaju zanemarivanja možete oštetiti brtve visokog pritiska i skratiti vijek trajanja pumpe.

1. Provjerite jesu li sifonsko crijevo, crijevo visokog pritiska, pištolj i mlaznica pravilno priključeni.
2. Priključite koplje, cijev, top za pjenu i filter u skladu s vašim potrebama.
3. Odaberite jednu od sljedećih opcija opskrbe vodom:
 - Kada upotrebljavate vrtno crijevo (nije u sadržaju isporuke), priključite perač pod pritiskom na vrtno crijevo i zatim otvorite slavinu.

- Kad upotrebljavate kantu za vodu, priključite filter na sifonsko crijevo, a zatim potpuno uronite filter i brzu spojnicu u kantu za vodu.
4. Postavite komplet/e baterija.
 5. Za uključivanje perača pod pritiskom pritisnite dugme napajanja. Nakon svakog pokretanja perač će uvijek raditi pri velikoj brzini.

NAPOMENA! Kad se perač pod pritiskom uključi, a ne poduzme se nikakva daljnja radnja, perač će se automatski isključiti nakon 5 minuta stanja pripravnosti. Tokom prvih nekoliko minuta stanja pripravnosti indikator brzine na peraču pod pritiskom će zatreperiti zeleno tri puta, što ukazuje da voda ne teče u sifonsko crijevo.

6. Držite pištolj s obje ruke, pritisnite stranu za otključavanje dugmeta za zaključavanje, a zatim povucite okidač dok se ne proizvede stabilan protok vode.

NAPOMENA! Ako je koplje priključeno, jednom rukom držite pištolj, a drugom rukom koplje.

7. Započnite postupak pranja raspršivanjem.

NAPOMENA! Može proći neko vrijeme dok voda ne poteče iz izvora i iz mlaznice u stabilnom mlazu raspršivanja. Kako biste brzo dobili stabilan mlaz vode, možete učiniti sljedeće:

- a. Uklonite mlaznicu.
- b. Pritisnite okidač i pričekajte dok stabilan mlaz vode ne počne izlaziti iz cijevi.
- c. Otpustite okidač i ponovo postavite mlaznicu.

Zaustavljanje perača pod pritiskom

1. Po završetku postupka pranja otpustite okidač i pritisnite dugme za zaključavanje da zaključate položaj.
2. Za isključivanje perača pod pritiskom pritisnite dugme napajanja.
3. Zatvorite slavinu ili uklonite sifonsko crijevo iz kante za vodu.
4. Pritisnite dugme za zaključavanje pištolja u položaj za otključavanje i pritisnite okidač za ispuštanje vode iz crijeva.

NAPOMENA! Pištolj, crijeva, cijevi, mlaznice ili top za pjenu ne smiju se odvajati sve dok je voda u crijevima.

5. Odvojite i uklonite pištolj, crijeva, cijevi, mlaznice ili top za pjenu.
6. Pritisnite dugme napajanja da uključite perač pod pritiskom i ispuštite vodu iz perača pod pritiskom.

7. Ponovo pritisnite dugme napajanja da isključite perač pod pritiskom.
8. Izvadite komplet/e baterija.

DALJINSKI UPRAVLJAČ

Pištolj se može upariti s peračem pod pritiskom i služiti kao daljinski upravljač.

Uparivanje kratkog pištolja pod pritiskom (sl. K)

1. Umetnite komplet/e baterija i uključite perač pod visokim pritiskom.
2. Dugo pritisnite dugme brzine na peraču pod visokim pritiskom dok tri zelena svjetlosna indikatora ne počnu treperiti.

NAPOMENA! Treperenje će trajati otprilike 20 sekundi, tako da se pištolj može upariti samo tokom tog vremena. Možete nakratko pritisnuti i dugme brzine na peraču za izlazak iz režima uparivanja u bilo kojem trenutku.

3. Dugo pritisnite dugme brzine na pištolju dok tri zelena svjetlosna indikatora ne počnu treperiti, što znači da je proces uparivanja započeo.

NAPOMENA! Treperenje koje označava proces uparivanja traje otprilike 10 sekundi. Možete kratko pritisnuti dugme brzine na pištolju za izlazak iz procesa uparivanja u bilo kojem trenutku.

4. Na indikatorima brzine na peraču i pištolju prikazat će se tri zelena svjetlosna indikatora zajedno 3 sekunde kako bi ukazali da je uparivanje uspješno, a zatim će se prikazati dva zelena svjetlosna indikatora.
5. Ako uparivanje ne uspije, na indikatorima brzine na peraču i pištolju će zatreperiti tri zelena svjetlosna indikatora i zatim se isključiti.

Upotreba daljinskog upravljača

Po završetku postupka uparivanja jednom pritisnite dugme brzine na pištolju. Zasljetlit će indikator napunjenosti s 5 LED indikatora i indikator brzine. Za stvarnu promjenu brzine ponovo pritisnite dugme brzine.

NAPOMENA!

- Ako se dugme brzine na pištolju više ne pritisne u roku od 10 sekundi, indikator napunjenosti s 5 LED indikatora i indikator brzine će se isključiti.
- Indikator napunjenosti s 5 LED indikatora prikazuje nivo napunjenosti baterije. Ako su umetnuta dva kompleta baterija, prikazuje nivo napunjenosti kompleta baterija s većim punjenjem.
- Indikator brzine na pištolju je uvijek sinhronizovan s indikatorom brzine na jedinici perača pod pritiskom.

ODABIR BRZINE

- Brzina perača pod pritiskom može se podesiti pomoću dugmeta brzine na čistaču ili uparenom pištolju.
- Brzina perača pod pritiskom može se podesiti kada je perač uključen ili tokom raspršivanja.
- Svaki put kada se pritisne dugme brzine, brzina se mijenja između visokog nivoa, TURBO nivoa i niskog nivoa. Indikator brzine prikazuje jedan zeleni svjetlosni indikator, dva zelena svjetlosna indikatora ili tri zelena svjetlosna indikatora kako bi prikazao da perač pod pritiskom radi pri niskoj brzini, visokoj brzini ili TURBO brzini.

NAPOMENA! Ako je umetnut samo jedan komplet baterija, TURBO brzina se ne može postići i svaki put kada se pritisne dugme brzine, brzina će se prebacivati između visokog i niskog nivoa.

NAPOMENA! Ako perač pod pritiskom nastavi raditi pri TURBO brzini, to može uticati na vrijeme rada po punjenju.

ČIŠĆENJE DETERDŽENTOM

⚠ UPOZORENJE! Upotrebljavajte samo deterdžente koji su posebno namijenjeni za upotrebu s peračima pod pritiskom. Pridržavajte se uputa za primjenu, zbrinjavanje i sigurnost koje je priložio proizvođač deterdženta.

1. Okrenite bocu topa za pjenu u smjeru suprotnom smjeru kretanja kazaljki na satu i uklonite je (sl. L1).
2. Ulijte deterdžent u bocu.

NAPOMENA! Temperatura deterdženta ne bi smjela prekoračiti 60 °C.

3. Ponovo postavite top za pjenu i spojite ga na brzu spojnicu pištolja.
4. Okrenite dugme za deterdžent da prilagodite količinu deterdženta koja se dodaje u protok vode prema vašim potrebama (sl. L2).

ODRŽAVANJE

⚠ UPOZORENJE! Prije servisiranja, čišćenja, zamjene priključaka ili uklanjanja materijala s jedinice uklonite komplet baterija iz proizvoda da izbjegnute teške tjelesne povrede.

OSNOVNO ODRŽAVANJE

Kada čistite plastične dijelove, izbjegavajte upotrebljavati rastvore. Mnoge plastike mogu se oštetiti različitim vrstama komercijalnih rastvora i mogu se oštetiti njihovom upotrebom. Za uklanjanje prljavštine, prašine, ulja, masti i sl. upotrebljavajte čistu krpu.

⚠ UPOZORENJE! Nemojte nikada dozvoliti da kočione tekućine, benzin, proizvodi na bazi nafte, penetrirajuća ulja i sl., dođu u kontakt s plastičnim dijelovima. Hemikalije mogu oštetiti, oslabiti ili uništiti plastiku, što može rezultirati teškim tjelesnim povredama.

⚠ UPOZORENJE! Radi smanjenja opasnosti od požara, tjelesnih povreda i oštećenja proizvoda uslijed kratkog spoja, mašinu, komplet baterija ili punjač nemojte nikada uranjati u tekućinu i nemojte dozvoliti da tekućina prođe u njih. Korozivne ili vodljive tekućine kao što su morska voda, neke industrijske hemikalije i izbjeljivač ili proizvodi koji sadrže izbjeljivač i sl. mogu izazvati kratki spoj.

ZAMJENA DUGMASTE BATERIJE (sl. M1&M2)

⚠ UPOZORENJE! Bateriju držite van dohvata djece. Gutanje baterije može rezultirati hemijskim opekotinama, perforacijom mekih tkiva i smrcu. Mogu se pojaviti teške opekotine u roku od 2 sata od gutanja. Odmah potražite pomoć ljekara.

NAPOMENA! Bateriju nemojte nikada gurati direktno u pretinac (sl. M3). U suprotnom će se oštetiti dvije kopče, što će uzrokovati kvar daljinskog upravljača pištolja.

M3-1	Kopče
------	-------

NAPOMENA! Nakon zamjene dugmaste baterije ponovo uparite pištolj s peračem pod pritiskom prema uputama u odjeljku "Uparivanje kratkog pištolja pod pritiskom".

ČIŠĆENJE FILTERA

- Odvrnite okretno dugme na ulaznom priključku za vodu i uklonite ga, a zatim izvadite metalnu mrežicu iz ulaznog priključka za vodu, isperite je ili prema potrebi zamijenite (sl. N1).

N1-1	Metalna mrežica
------	-----------------

- Uklonite filter sa sifonskog crijeva, odvrnite ga, a zatim dobro isperite (sl. N2).

ČIŠĆENJE MLAZNICA (sl. O)

Ako su otvori mlaznice začepljeni, možete upotrijebiti priloženu iglu za čišćenje mlaznice da prođete kroz otvore i uklonite začepljenje.

TRANSPORT PERAČA POD PRITISKOM (sl. P)

Pritisnite dugme za zaključavanje ručke i zatim izvucite teleskopsku ručku do prve dužine dok ne začujete zvuk klikanja. Ako želite, možete pritisnuti dugme za zaključavanje ručke, a zatim izvući teleskopsku ručku na drugu dužinu.

SKLADIŠTENJE PERAČA POD PRITISKOM

1. Zaustavite perač pod pritiskom, rasterite pritisak, ispustite vodu i uklonite komplet baterija iz perača pod pritiskom kako je opisano u odjeljku "Zaustavljanje perača pod pritiskom".
2. Mlaznice spremite u prostor za odlaganje mlaznica perača pod pritiskom (sl. Q1).
3. Smotajte crijevo visokog pritiska i spremite ga iza teleskopske ručke (sl. Q2).
4. Spremite pištolj i sklop koplja i cijevi u nosače ili odvojite pištolj i spremite ga u gornje nosače (sl. Q3).
5. Perač pod pritiskom dobro očistite prije skladištenja.
6. Perač pod pritiskom skladištite na suhom, dobro prozračenom mjestu koje je moguće zaključati ili koje je na visini izvan dohvata djece. Perač pod pritiskom nemojte skladištiti na gnojivima, benzinu ili drugim hemikalijama ili u njihovoj blizini.

Zaštita životne sredine



Električnu opremu, iskorištenu bateriju i punjač ne odlažite u kućni otpad! Ovaj proizvod odnesite u ovlaštenu centar za reciklažu i time omogućite odvojeno sakupljanje. Električne alate potrebno je vratiti u ekološki prihvatljiv pogon za reciklažu.

RJEŠAVANJE PROBLEMA

PROBLEM	UZROK	RJEŠENJE
Perač pod pritiskom se ne može uključiti.	<ul style="list-style-type: none"> ■ Nivo napunjenosti kompleta baterija je nizak. ■ Komplet baterija nije pravilno postavljen. 	<ul style="list-style-type: none"> ■ Napunite komplet baterija. ■ Komplet baterija gurnite u pretinac za baterije tako da ulegne u svoje mjesto.
TURBO brzina se ne može aktivirati.	<ul style="list-style-type: none"> ■ Za rad perača upotrebljava se samo jedan komplet baterija. 	<ul style="list-style-type: none"> ■ Upotrebljavajte dva kompleta baterija od 5,0 Ah ili više.
Pumpa perača pod pritiskom prestaje raditi i indikator brzine na peraču treperi s tri zelena svjetlosna indikatora.	<ul style="list-style-type: none"> ■ Perač pod pritiskom ili komplet/i baterija se pregrijao/su se pregrijali. ■ Mlaznica je začepljena. ■ Voda ne teče u sifonsko crijevo. ■ Nivo napunjenosti kompleta baterija je nizak. ■ Ostali elektronički kvar/ovi. 	<ul style="list-style-type: none"> ■ Pričekajte da se perač pod pritiskom ili komplet/i baterija vrate na radnu temperaturu, a zatim ponovo pokrenite perač. ■ Za odčepljivanje otvora upotrijebite iglu za čišćenje mlaznica. ■ Provjerite i osigurajte da voda pravilno teče u sifonsko crijevo. ■ Napunite komplet baterija. ■ Obratite se korisničkoj službi proizvođača EGO.
Protok vode je slab tokom raspršivanja.	<ul style="list-style-type: none"> ■ Filter je djelimično začepljen. ■ Metalna mrežica u ulaznom priključku za vodu je djelimično začepljena. ■ Filter i brza spojnica sifonskog crijeva nisu potpuno uronjeni u vodu. ■ Sifonsko crijevo je presavijeno. ■ Voda je prijava. ■ Crijevo visokog pritiska je začepljeno. 	<ul style="list-style-type: none"> ■ Očistite filter. ■ Metalnu mrežicu izvadite i očistite. ■ Filter i brzu spojnicu potpuno uronite u vodu. ■ Ispravite sifonsko crijevo ili ga zamijenite. ■ Upotrebljavajte samo čistu vodu. ■ Uklonite mlaznicu, a zatim počnite raspršivati vodu iz crijeva da uklonite začepljenje crijeva.

PROBLEM	UZROK	RJEŠENJE
Voda se ne raspršuje.	<ul style="list-style-type: none"> ■ Nema dovoda vode. ■ Filter je potpuno začepljen. ■ Metalna mrežica u ulaznom priključku za vodu je potpuno začepljena. ■ Mlaznica je začepljena. ■ Pumpa, crijeva ili druge komponente su zamrznuti. 	<ul style="list-style-type: none"> ■ Provjerite i osigurajte da je perlač pravilno spojen na dovod vode. ■ Očistite filter. ■ Metalnu mrežicu izvadite i očistite. ■ Za odčepljivanje otvora upotrijebite iglu za čišćenje mlaznica. ■ Pričekajte da se odmrznu.
Protok vode nije stabilan.	<ul style="list-style-type: none"> ■ Zrak struji u perlač. ■ Brtve pumpe su istrošene. 	<ul style="list-style-type: none"> ■ Provjerite i osigurajte da je sifonsko crijevo pravilno spojeno. ■ Obratite se korisničkoj službi proizvođača EGO.
Raspršivanje vode se pokreće ili zaustavlja automatski.	<ul style="list-style-type: none"> ■ Crijevo visokog pritiska je oštećeno. ■ Voda curi iz pištolja. ■ Brtve pumpe, brtve crijeva su istrošene. 	<ul style="list-style-type: none"> ■ Zamijenite ga novim crijevom visokog pritiska. ■ Obratite se korisničkoj službi proizvođača EGO. ■ Obratite se korisničkoj službi proizvođača EGO.
Pištolj ne može upravljati perlačem.	<ul style="list-style-type: none"> ■ Položaj pištolja je izvan dometa bežične veze. ■ Nivo napunjenosti dugmaste baterije je nizak. ■ Pištolj nije pravilno uparen. ■ Dugmasta baterija nije pravilno postavljena. 	<ul style="list-style-type: none"> ■ Približite pištolj perlaču pod pritiskom. ■ Zamijenite je novom dugmastom baterijom. ■ Dovršite postupak uparivanja prema uputama u odjeljku "Uparivanje kratkog pištolja pod pritiskom". ■ Postavite dugmastu bateriju prema uputama u odjeljku "ZAMJENA DUGMASTE BATERIJE".

GARANCIJA

POLITIKA GARANCIJE PROIZVOĐAČA EGO

Za sve odredbe i uslove politike garancije proizvođača EGO posjetite internetsku stranicu egopowerplus.eu.

المشكلة	السبب	الحل
لا يتم رش أي ماء.	<ul style="list-style-type: none"> لا يوجد إمداد بالماء. الفلتر مسدود تماماً. الشبكة المعدنية الموجودة في منفذ مدخل الماء مسدودة تماماً. الفوهة مسدودة. المضخة أو الخراطيم أو المكونات الأخرى متجمدة. 	<ul style="list-style-type: none"> تحقق وتأكد من توصيل المغسلة كما ينبغي بمصدر إمداد الماء. نظف الفلتر. قم بإزالة الشبكة المعدنية ونظفها. استخدم إبرة تنظيف الفوهة عن طريق تمريرها عبر الفتحات. انتظر إلى أن يذوب التجمد عنها.
تدفق الماء غير مستقر.	<ul style="list-style-type: none"> الهواء يتدفق إلى المغسلة. تآكلت سدادات منع التسرب الموجودة في المضخة. 	<ul style="list-style-type: none"> تحقق وتأكد من توصيل خرطوم التصريف كما ينبغي. تواصل مع قسم خدمة العملاء بشركة EGO.
يبدأ رش الماء أو يتوقف من تلقاء نفسه.	<ul style="list-style-type: none"> خرطوم الضغط العالي تالف. هناك تسرب للماء من المسدس. تآكلت سدادات منع التسرب الموجودة في المضخة والخرطوم. 	<ul style="list-style-type: none"> استبدله بخرطوم ضغط عالٍ جديد. تواصل مع قسم خدمة العملاء بشركة EGO. تواصل مع قسم خدمة العملاء بشركة EGO.
لا يقوم المسدس بالتحكم في المغسلة.	<ul style="list-style-type: none"> المسدس موجود خارج نطاق الاتصال اللاسلكي. مستوى شحن بطارية الساعة منخفض. لم يتم تنفيذ عملية اقتران المسدس كما ينبغي. لم يتم تركيب بطارية الساعة كما ينبغي. 	<ul style="list-style-type: none"> توجه بالمسدس إلى مكان قريب من مغسلة الضغط العالي. استبدلها ببطارية ساعة جديدة. استكمل عملية الاقتران باتتباع الإرشادات الواردة في قسم "اقتران مسدس الضغط القصير". قم بتركيب بطارية الساعة باتتباع الإرشادات الواردة في قسم "استبدال بطارية الساعة".

الضمان

سياسة ضمان EGO

تفضل بزيارة الموقع الإلكتروني egopowerplus.eu للتعرف على الشروط والأحكام الكاملة الخاصة بسياسة ضمان EGO.

استكشاف الأعطال وإصلاحها

المشكلة	السبب	الحل
لا يمكن بدء تشغيل مغسلة الضغط العالي.	<ul style="list-style-type: none"> شحن مجموعة البطارية منخفض. مجموعة البطارية غير مُركبة كما ينبغي. 	<ul style="list-style-type: none"> اشحن مجموعة البطارية. أدخل مجموعة البطارية في حجيرة البطارية إلى أن تنشك في مكانها المناسب.
لا يمكن تفعيل سرعة الترتبو (TURBO).	<ul style="list-style-type: none"> يتم استخدام مجموعة بطارية واحدة فقط لتشغيل المغسلة. 	<ul style="list-style-type: none"> استخدم مجموعتي بطارية بقدرة 5.0 أمبير في الساعة أو أكبر.
تتوقف مضخة مغسلة الضغط العالي عن العمل ويومض مؤشر السرعة الموجود بالمغسلة بثلاثة مصابيح خضراء.	<ul style="list-style-type: none"> ارتفعت درجة حرارة مغسلة الضغط العالي أو مجموعة (مجموعات) البطارية. الفوهة مسدودة. لا يتدفق أي ماء إلى خرطوم التصريف. شحن مجموعة البطارية منخفض. عطل إلكتروني آخر أو أكثر من عطل. 	<ul style="list-style-type: none"> انتظر إلى أن تعود مغسلة الضغط العالي أو مجموعة (مجموعات) البطارية إلى درجة حرارة التشغيل، ثم أعد تشغيل المغسلة. استخدم إبرة تنظيف الفوهة عن طريق تمريرها عبر الفتحات. تحقق وتأكد من تدفق الماء إلى خرطوم التصريف بشكل صحيح. اشحن مجموعة البطارية. تواصل مع قسم خدمة العملاء بشركة EGO.
تدفق الماء ضعيف أثناء الرش.	<ul style="list-style-type: none"> الفلتر مسدود جزئيًا. الشبكة المعدنية الموجودة في منفذ مدخل الماء مسدودة جزئيًا. لم يتم غمر الفلتر ووصلة الاقتران السريع لخرطوم التصريف بالكامل في الماء. خرطوم التصريف منتني. الماء قذر. خرطوم الضغط العالي مسدود. 	<ul style="list-style-type: none"> نظف الفلتر. قم بإزالة الشبكة المعدنية ونظفها. اغمر الفلتر ووصلة الاقتران السريع بالكامل في الماء. قم ببسط خرطوم التصريف أو استبدله. استخدم ماء نظيفًا فقط. قم بإزالة الفوهة، ثم ابدأ في رش الماء من الخرطوم لإزالة انسداد الخرطوم.

التنظيف بالمنظفات

⚠ تحذير: استخدم فقط المنظفات المصممة خصيصًا للاستخدام مع مغسلة الضغط العالي. التزم بتعليمات الاستخدام والتخلص والسلامة الخاصة بالشركة المصنعة للمنظفات.

1. اقلب زجاجة مسدس الرغوة عكس اتجاه عقارب الساعة وقم بإزالتها (الشكل L1).
2. صب المنظف في الزجاجة.

تنبيه: يجب ألا تتخطى درجة حرارة المنظف 60 درجة مئوية. أعد تركيب مسدس الرغوة وقم بتوصيله بوصلة الإقتران السريع الخاصة بالمسدس.

4. قم بتدوير بكرة المنظف لضبط كمية المنظف المضافة إلى تدفق الماء وفقًا لمتطلباتك (الشكل L2).

الصيانة

⚠ تحذير: لمنع التعرض لإصابات شخصية خطيرة، اخلع مجموعة البطارية من المنتج قبل إجراء أعمال الصيانة، أو التنظيف، أو تغيير المرشحات، أو إزالة المواد من الوحدة.

الصيانة العامة

تجنب استخدام المنظفات عند تنظيف الأجزاء البلاستيكية. غالبية المكونات البلاستيكية تكون سريعة التأثر بالأنواع المختلفة للمنظفات الموجودة بالسوق، وقد تتلف نتيجة استخدامها عليها. استخدم قطعة قماش نظيفة لإزالة الأوساخ والأتربة والزيت والشحم وما شابههم.

⚠ تحذير: لا تسمح في أي وقت من الأوقات بلامسة سوائل الفرمال أو البنزين أو المنتجات القائمة على البنترول أو الزيت المتغلغل أو ما شابههم للأجزاء البلاستيكية. لأن المواد الكيميائية قد تتسبب في تلف الأجزاء البلاستيكية أو ضعفها أو تدميرها، وهو ما قد يؤدي إلى وقوع إصابات خطيرة.

⚠ تحذير: للحد من خطر نشوب حريق، أو التعرض لإصابات شخصية، أو تلف المنتج بسبب حدوث دائرة قصر (ماس كهربائي)، لا تقم مطلقًا بغير الآلة أو مجموعة البطارية أو الشاحن في السوائل أو السماح للسوائل بالتدفق إلى داخلهم. قد تسبب السوائل المسببة للتآكل أو الموصلية للكهرباء، مثل ماء البحر، ويعرض المواد الكيميائية المتاحة تجاريًا، والمبيضات أو المنتجات المحتوية على مبيضات، وما شابههم في حدوث دائرة قصر (ماس كهربائي).

استبدال بطارية الساعة (الشكل M1&M2)

⚠ تحذير: احتفظ بالمنتج بعيدًا عن متناول أيدي الأطفال. يمكن أن يؤدي بلعها إلى حروق كيميائية، وتعب الأنسجة الرخوة، والوفاة. يمكن أن تحدث حروق شديدة خلال ساعتين من الابتلاع. اطلب العناية الطبية على الفور.

ملاحظة: لا تقم مطلقًا بدفع البطارية مباشرة إلى داخل الحجرة (الشكل M3). وإلا فإن المشبكين سيعرضان للتلف، مما يتسبب في فشل نظام التحكم عن بُعد الخاص بالمسدس.

M3-1 المشابك

ملاحظة: أعد اقتران المسدس مع مغسلة الضغط العالي بعد استبدال بطارية الساعة باتباع الإرشادات الواردة في القسم "اقتران مسدس الضغط القصير".

نظف الفلاتر

- قم بإزالة البكرة الموجودة بمنفذ مدخل الماء، ثم أخرج الشبكة المعدنية من منفذ مدخل الماء، واشطف الشبكة المعدنية أو استبدلها إذا لزم الأمر (الشكل N1).

N1-1 الشبكة المعدنية

- قم بإزالة الفلتر من خرطوم التصريف، وقم بفك الفلتر، ثم اشطفه جيدًا (الشكل N2)

تنظيف الفوهات (الشكل O)

عند انسداد فتحات الفوهات، يمكنك استخدام إبرة تنظيف الفوهة المرشقة عن طريق تمريرها عبر الفتحات وإزالة الانسداد.

نقل مغسلة الضغط العالي (الشكل P)

اضغط على زر قفل المقبض، ثم اسحب المقبض التلسكوبي إلى مستوى الطول الأول إلى أن تسمع صوت "نقرة". إذا لم يكن الطول مناسبًا، يمكنك الضغط على زر قفل المقبض، ثم سحب المقبض التلسكوبي إلى مستوى الطول الثاني.

تخزين مغسلة الضغط العالي

1. أوقف تشغيل مغسلة الضغط العالي، ثم حرر الضغط، وأفرغ الماء، وأخرج مجموعة البطارية من مغسلة الضغط العالي باتباع الإرشادات الواردة في القسم "إيقاف تشغيل مغسلة الضغط العالي".
2. قم بتخزين الفوهات في مكان تخزين الفوهات الموجود في مغسلة الضغط العالي (الشكل Q1).
3. قم بلف خرطوم الضغط العالي وخرنه خلف المقبض التلسكوبي (الشكل Q2).
4. قم بتخزين مجموعة المسدس والماسورة والمصفاة في دعامة الحامل، أو افضل المسدس وخرنه في دعامة الحامل العلوية (الشكل Q3).
5. نظف مغسلة الضغط العالي جيدًا قبل تخزينها.
6. خزن مغسلة الضغط العالي في منطقة جافة جيدة التهوية، بحيث تكون في مكان مقفل أو عال عن سطح الأرض بعيدًا عن متناول أيدي الأطفال. لا تقم بتخزين مغسلة الضغط العالي على الأسمدة أو البنزين أو المواد الكيميائية الأخرى، أو بجوارها.

حماية البيئة

لا تتخلص من المعدات الكهربائية أو البطارية المستهلكة أو الشاحن في النفايات المنزلية! بل توجه بهذا المنتج إلى مركز إعادة تدوير معتمد ليكون متاحًا للفرز بشكل منفرد. تجنب إعادة الألات الكهربائية إلى مرفق إعادة تدوير صديق للبيئة.



ملاحظة: سيستمر الوميض لمدة 20 ثانية تقريبًا، ويمكن عمل اقتران بالمسدس خلال هذه الفترة فقط. يمكنك أيضًا الضغط لفترة قصيرة على زر السرعة الموجود بالمغسلة للخروج من وضع الاقتران في أي وقت.

3. اضغط لفترة طويلة على زر السرعة الموجود بالمسدس إلى أن تبدأ مصابيح الخضراء الثلاثة في الوميض، وهو ما يعني أن عملية الاقتران قد بدأت.

ملاحظة: سيستمر الوميض الذي يشير إلى عملية الاقتران لمدة 10 ثوانٍ تقريبًا. يمكنك الضغط لفترة قصيرة على زر السرعة الموجود بالمسدس للخروج من عملية الاقتران في أي وقت.

4. ستضيء مؤشرات السرعة الموجودة بالمغسلة والمسدس ثلاثة مصابيح خضراء معًا لمدة 3 ثوانٍ للإشارة إلى نجاح الاقتران، ثم تضيء مصابيح أخضرين.

5. إذا فشل الاقتران، ستومض مؤشرات السرعة الموجودة بالمغسلة والمسدس بثلاثة مصابيح خضراء ثم تنطفئ.

استخدام نظام التحكم عن بُعد

بعد اكتمال الاقتران، اضغط على زر السرعة مرة واحدة بالمسدس، وسيضيء مقياس الوقود ذو 5 مؤشرات LED ومؤشر السرعة. اضغط على زر السرعة مرة أخرى لتغيير السرعة فعليًا.

ملاحظة:

- سيتم إيقاف تشغيل مقياس الوقود ذي 5 مؤشرات LED ومؤشر السرعة عندما لا يتم تنفيذ أي إجراء آخر على زر السرعة الخاص بالمسدس خلال 10 ثوانٍ.
- يشير مقياس الوقود ذو 5 مؤشرات LED إلى مستوى شحن البطارية. عند تركيب مجموعتي بطارية، فإنه يشير إلى مستوى شحن البطارية ذات الشحنة الأعلى.
- تتم دائمًا مزامنة مؤشر السرعة الموجود بالمسدس مع مؤشر السرعة الموجود بوحدة مغسلة الضغط العالي.

تحديد السرعة

- يمكن ضبط سرعة مغسلة الضغط العالي عن طريق زر السرعة الموجود بمغسلة الضغط العالي أو المسدس المقترن.
- يمكن تعديل سرعة مغسلة الضغط العالي عند تشغيل المغسلة أو أثناء الرش.
- في كل مرة يتم الضغط فيها على زر السرعة، سيتم تبديل السرعة بين المستوى العالي ومستوى الترتبو (TURBO) والمستوى المنخفض. يعرض مؤشر السرعة مصباحًا أخضرًا واحدًا، أو مصباحين أخضرين، أو ثلاثة مصابيح خضراء للإشارة إلى تشغيل مغسلة الضغط العالي بسرعة منخفضة، أو سرعة عالية، أو سرعة الترتبو، على التوالي.

ملاحظة: عند تركيب مجموعة بطارية واحدة فقط، لا يمكن الوصول إلى سرعة الترتبو (TURBO) وفي كل مرة يتم فيها الضغط على زر السرعة، سيتم تبديل السرعة بين المستوى العالي والمستوى المنخفض.

ملاحظة: إذا استمرت مغسلة الضغط العالي في العمل بسرعة الترتبو، فقد يتأثر وقت التشغيل لكل عملية شحن.

ملاحظة: عندما يتم تشغيل مغسلة الضغط العالي ولكن من دون اتخاذ أي إجراءات أخرى، سيتم إيقاف تشغيل المغسلة تلقائيًا بعد 5 دقائق من الدخول في وضع الاستعداد. خلال الدقائق العديدة الأولى من وضع الاستعداد، ستومض المصابيح الثلاثة لمؤشر السرعة بمغسلة الضغط العالي باللون الأخضر، مما يشير إلى عدم تدفق الماء إلى خرطوم التصريف.

6. أمسك المسدس بكلتا يديك، واضغط على جانب إلغاء القفل بزر القفل، ثم اضغط على الزناد إلى أن يتم إنتاج تدفق ثابت للماء.

ملاحظة: إذا كانت الماسورة متصلة، أمسك المسدس بيد واحدة والماسورة باليد الأخرى.

7. ابدأ الغسل بالرش.

ملاحظة: قد يستغرق الأمر بعض الوقت إلى أن ينتقل الماء من المصدر ويخرج من الفوهة كندفق ثابت للماء. لتحقيق تدفق ثابت للماء بسرعة، قد تحتاج إلى ما يلي:

- قم بخلع الفوهة.
- اضغط على الزناد وانتظر إلى أن يبدأ تدفق الماء الثابت في الخروج من العصا.
- حرر الزناد وأعد تركيب الفوهة.

إيقاف تشغيل مغسلة الضغط العالي

1. بمجرد الانتهاء من الغسل، حرر الزناد واضغط على زر القفل لنقله إلى وضع القفل.
 2. اضغط على زر الطاقة لإيقاف تشغيل مغسلة الضغط العالي.
 3. أغلق صنوبر الماء أو أخرج خرطوم التصريف من دلو الماء.
 4. اضغط على زر قفل المسدس لنقله إلى وضع إلغاء القفل، واضغط على الزناد لتفريغ الماء من الخراطيم.
- تنبيه:** لا ينبغي فصل المسدس أو الخراطيم أو العصي أو الفوهات أو مسدس الرغوة ما دام هناك ماء متبقي في الخراطيم.
5. افصل وأزل المسدس أو الخراطيم أو العصي أو الفوهات أو مسدس الرغوة.
 6. اضغط على زر الطاقة لتشغيل مغسلة الضغط العالي لتفريغ الماء الموجود في المغسلة.
 7. اضغط على زر الطاقة مرة أخرى لإيقاف تشغيل مغسلة الضغط العالي.
 8. اخلع مجموعة (مجموعات) البطارية.

التحكم عن بُعد

يمكن عمل اقتران للمسدس مع مغسلة الضغط العالي ليعمل كجهاز تحكم عن بُعد.

اقتران مسدس الضغط القصير (الشكل K)

1. أدخل مجموعة (مجموعات) البطارية في الآلة، وقم بتشغيل مغسلة الضغط العالي.
2. اضغط لفترة طويلة على زر السرعة الموجود بوحدة مغسلة الضغط العالي إلى أن تبدأ مصابيح الخضراء الثلاثة في الوميض.

التشغيل

الاستخدام

يمكنك استخدام هذا المنتج للأغراض الموضحة أدناه:

- لتنظيف الأوساخ الموجودة على السيارات والجدران والأرضيات وما إلى ذلك.

تركيب/خلع مجموعة البطارية

لا تستخدم الآلة إلا مع مجموعات بطارية وشواحن EGO المدرجة في الشكل A2.

راجع دلائل تشغيل البطاريات والشواحن ذات الصلة للتعرف على مزيد من التفاصيل.

اشحن البطارية بالكامل قبل الاستخدام لأول مرة.

ملاحظة: إن استخدام مجموعة بطارية واحدة لن يتيح لك الوصول إلى سرعة التبريد. للحصول على أفضل أداء، نوصي بشدة باستخدام مجموعتي بطارية بسعة 5.0 أمبير في الساعة أو أكبر.

- ارفع غطاء حجيرة البطارية عن طريق رفع الجزء الأمامي من الغطاء.
- للتثبيت، قم بمحاذاة دعائم البطارية مع فتحات التركيب، واضغط على مجموعة البطارية إلى أسفل إلى أن تسمع صوت "نقرة". قم بتركيب البطارية الأخرى (الشكل 11).
- للتلخ، اضغط على زر تحرير البطارية، واسحب مجموعة البطارية للخارج (الشكل 12).

12-1 زر تحرير البطارية

- أغلق غطاء حجيرة البطارية.

بدء تشغيل/إيقاف مغسلة الضغط العالي (الشكل J)

لبدء تشغيل مغسلة الضغط العالي

تنبيه: لا تقم بتشغيل مغسلة الضغط العالي من دون توصيل مصدر للماء وتشغيله. لأن ذلك قد يؤدي إلى إتلاف موانع التسرب ذات الضغط العالي وتقليل عمر المضخة.

- تأكد من توصيل خرطوم التصريف وخرطوم الضغط العالي والمسدس والفوهة بشكل صحيح.
- قم بتوصيل الماسورة والعصا ومسدس الرغوة والفلتر وفقاً لاحتياجاتك.
- اختر إحدى طرق إمداد الماء أدناه:
 - عند استخدام خرطوم الحديقة (غير مرفق)، قم بتوصيل مغسلة الضغط العالي بخرطوم الحديقة، ثم افتح صنوبر الماء.
 - عند استخدام دلو الماء، قم بتوصيل الفلتر بخرطوم التصريف، ثم اغمر الفلتر ووصلة الاقتران السريع بالكامل في دلو الماء.
 - قم بتركيب مجموعة (مجموعات) البطارية.
 - اضغط على زر الطاقة لتشغيل مغسلة الضغط العالي. سيتم تشغيل المغسلة دائماً بسرعة عالية بعد كل بداية تشغيل.

F1-1	فوهة بزواوية 15 درجة	F1-2	فوهة بزواوية 25 درجة
F1-3	فوهة بزواوية 40 درجة	F1-4	فوهة التبريد

- يتم توصيل فوهة الشطف بالمسدس مباشرة (الشكل F2).

F2-1	فوهة الشطف
------	------------

تحذير: أمسك دائماً بالمسدس بيد واحدة والفوهة باليد الأخرى عند فصل الفوهة عن المسدس. قد تحدث إصابة شخصية في حالة ارتداد الفوهة إلى الخارج.

استعن بالجدول أدناه لاختيار الفوهة المناسبة للمهمة.

اختيار الفوهة	الاستخدامات
الفوهة الصفراء بزواوية 15 درجة	لتنظيف الأسطح المعدنية أو الخرسانية أو الخشبية الصغيرة.
الفوهة الخضراء بزواوية 25 درجة	لتنظيف الأسطح المعدنية أو الخرسانية أو الخشبية الأكبر.
الفوهة البيضاء بزواوية 40 درجة	لتنظيف الأسطح المعدنية أو الخرسانية أو الخشبية أو المصنوعة من الفينيل العريضة.
فوهة الشطف الرمادية	لشطف المركبات. لشطف مواد التنظيف عن الأسطح المعدنية أو الخرسانية أو الخشبية أو المصنوعة من الفينيل.
فوهة التبريد	لتنظيف الأسطح الصلبة فقط. لمنع تلف السطح، لا تستخدمها على السيارات والأسطح الخشبية.

توصيل مسدس الرغوة (الشكل G)

يتم توصيل مسدس الرغوة بالمسدس مباشرة. لفصله، اسحب الحلقة الخارجية لوصلة الاقتران السريع إلى الخلف، ثم اسحب مسدس الرغوة إلى الخارج.

توصيل خرطوم التصريف (الشكل H1 - الشكل H2)

عند استخدام دلو ماء (غير مرفق) كمصدر للماء، قم بتوصيل مغسلة الضغط العالي بخرطوم التصريف.

ملاحظة: املاً الدلو مسبقاً حتى لا يطفو الفلتر المغمور على السطح.

التوصيل بخرطوم الحديقة (غير مرفق)

عند استخدام صنوبر الماء (غير مرفق) كمصدر للماء، قم بتوصيل مغسلة الضغط العالي بخرطوم الحديقة (غير مرفق).

21. خرطوم التصريف
22. مجموعة وصلات الاقتران السريع (× 2)
23. مسدس الرغوة
24. فلتر
25. ابرة تنظيف الفوهة
26. فوهة الشطف
27. فوهة بزواوية 40 درجة
28. فوهة بزواوية 25 درجة
29. فوهة بزواوية 15 درجة
30. فوهة التربو
31. مسدس الضغط القصير
32. غطاء البطارية
33. مقياس الوقود ذو 5 مؤشرات LED
34. مؤشر السرعة
35. زر السرعة
36. مقبض المسدس
37. الزناد
38. زر القفل

التجميع

تركيب مجموعة دعامات الحامل (الشكل B)

B-1	دعامة الحامل العلوية	B-2	دعامة الحامل السفلية
B-3	مسامير		

توصيل خرطوم الضغط العالي (الشكل C - الشكل D)

- يمكنك توصيل خرطوم الضغط العالي بإحدى الطرق التالية:
- قم بتوصيل خرطوم الضغط العالي بمنفذ مخرج الماء والمسدس مباشرة باستخدام الموصلات الملولبة (الشكل C1 - الشكل C2)؛
 - قم بتوصيل خرطوم الضغط العالي بمنفذ مخرج الماء والمسدس باستخدام مجموعة وصلات اقتران سريع للوصول إلى التركيب/الخلع السهل (الشكل D1 - الشكل D2).

ملاحظة: تم تركيب مجموعات وصلات الاقتران السريع على منفذ مخرج الماء، وخرطوم الضغط العالي، والمسدس في المصنع.

توصيل الماسورة والعصا (الشكل E1 - الشكل E2)

للفصل، قم بلف العصا لفتحها من الماسورة ثم اسحبها إلى الخارج؛
وقم بفتح البكرة الموجودة بالماسورة ثم اسحب الحلقة الخارجية لوصلة الاقتران السريعة الخاصة بالمسدس لسحب الماسورة.

تحذير: لمسك دائماً المسدس بيد واحدة والماسورة باليد الأخرى عند فصل الماسورة عن المسدس. قد تحدث إصابة شخصية في حالة سقوط الماسورة.

توصيل إحدى الفوهات (الشكل F1/الشكل F2)

- ملاحظة:** لا يمكن توصيل الفوهات بالماسورة.
- اختر الفوهة بزواوية 15 درجة، أو الفوهة بزواوية 25 درجة، أو الفوهة بزواوية 40 درجة، أو فوهة التربو لتثبيتها في العصا (الشكل F1).

- القيمة الكلية للاهتزاز الموضحة تم قياسها وفقاً لطريقة اختبار قياسية وقد تستخدم لمقارنة أداة بأخرى؛
- كما يمكن استخدام القيمة الكلية للاهتزاز الموضحة في التقييم التمهيدي للتعرض.

تنبيه: قد تختلف انبعاثات الاهتزاز أثناء الاستخدام الفعلي للألة العاملة بالطاقة عن القيمة المعلنة التي يتم استخدام الآلة فيها؛ ولحماية مشغل الآلة، ينبغي على المستخدم ارتداء قفازات وواقبات للأذن في ظروف الاستخدام الفعلية.

الملحقات الموصى بها

تحذير: استخدم فقط الملحقات المذكورة أدناه. لأن استخدام ملحقات لا تتوافق مع مواصفات المعدات الأصلية قد يؤدي إلى الأداء غير السليم والتأثير بالسلب على الأمان.

اسم القطعة	رقم الطراز
مسدس الرغوة المتميز	AFC2000E
فوهة التربو	ANZ2000E-T
فوهة بزواوية 15 درجة	ANZ2015E
فوهة بزواوية 25 درجة	ANZ2025E
فوهة بزواوية 40 درجة	ANZ2040E
فوهة الشطف	ANZ2000E-R

قائمة المحتويات (الشكل A1)

الوصف

تعرف على مغسلة الضغط العالي (الشكل A1)

1. مقبض تلسكوبي
2. زر قفل المقبض
3. دعامة الحامل العلوية
4. عجلة (× 2)
5. دعامة الحامل السفلية
6. منفذ مدخل الماء
7. منفذ مخرج الماء
8. زر السرعة
9. مؤشر السرعة
10. زر الطاقة
11. حجيرة مجموعة البطارية
12. مكان تخزين الفوهات
13. غطاء حجيرة مجموعة البطارية
14. الوصلات الكهربائية
15. آلية الإخراج
16. زر تحرير البطارية
17. حزام الكتف للخرطوم
18. عصا الرش الفولاذية
19. ماسورة الرش سريعة التوصيل
20. خرطوم الضغط العالي

- كن حذرًا من تعرض أطراف توصيل الجهاز العامل بالبطارية أو البطارية لادارة قصر (ماس كهربائي) بسبب الأجسام المعدنية.
 - يجب إخراج البطاريات القابلة لإعادة الشحن من الجهاز قبل الشحن.
 - لا يجب الخلط بين الأنواع المختلفة للبطاريات، أو بطاريات جديدة مع أخرى قديمة.
 - يجب خلع البطاريات المستهلكة من الجهاز والتخلص منها بشكل آمن.
 - إذا كنت ستترك الجهاز دون استخدام لفترات زمنية طويلة، يجب خلع البطاريات.
 - لا تستخدم البطاريات غير القابلة لإعادة الشحن بدلاً من البطاريات القابلة لإعادة الشحن.
 - لا تستخدم البطاريات المعدلة أو التالفة.
 - لا تستخدم المنتج إلا مع مجموعات البطارية أو الشواحن المحددة.
- احفظ هذه التعليمات.** راجعهم باستمرار واستخدمهم لتوجيه الآخرين عند استخدام هذه الآلة. إذا أعرت هذه الآلة شخصًا آخر، أعره أيضًا هذه التعليمات معها لمنع الاستخدام الخاطئ للمنتج والتعرض للإصابات المحتملة.

المواصفات

الجهد الكهربائي	56 فولت \equiv
الحد الأقصى للضغط المقدر	135 بار
الحد الأقصى للتدفق المقدر (مع توصيل ماسورة الرش سريعة التوصيل وعصا الرش الفولاذية)	6.5 لتر/دقيقة
الحد الأقصى للتدفق المقدر (مع توصيل مسدس الضغط القصير فقط)	9.5 لتر/دقيقة
الحد الأقصى لضغط المسدس هو	250 بار
الحد الأقصى لتدفق الماء بالمسدس هو	30 لتر/دقيقة
الوزن (من دون وحدة البطارية)	16.8 كجم
درجة حرارة التشغيل الموصى بها	5 - 40 درجة مئوية
درجة حرارة التخزين الموصى بها	20 - 70 درجة مئوية
مستوى قوة الصوت المُقَدَّر L_{WA}	84 ديسيبل(أ) K=1.8 ديسيبل(أ)
مستوى ضغط الصوت عند أذن مُشغل الآلة L_{PA}	72 ديسيبل(أ) K=3 ديسيبل(أ)
مستوى قوة الصوت المضمون L_{WA} (تم قياسه وفقًا للمعيار 2000/14/EC)	86 ديسيبل(أ)
الاهتزاز a_n	3.6 م/ثانية ² K=0.9 م/ثانية ²

تحذير: اقرأ وافهم جميع التعليمات قبل استعمال الآلة. عدم اتباع جميع التعليمات الواردة أدناه قد يؤدي إلى حدوث صدمة كهربائية أو شوب حريق أو التعرض للإصابة الشخصية، أحدها أو جميعها.

تحذير: أثناء استخدام آلات التنظيف بالضغط العالي، قد تتكون أبخرة متطايرة. استنشاق تلك الأبخرة يمكن أن يشكل خطرًا على الصحة.

تحذير: قد تصبح خرطوم الضغط العالي خطيرة عند سوء الاستخدام. يجب عدم توجيه الخرطوم تجاه الأشخاص أو الأجهزة الكهربائية المتصلة بالتيار أو الآلة نفسها.

تحذير: لا تستخدم الآلة داخل نطاق مجموعة من الأشخاص ما لم يتم ارتداء ملابس واقية.

تحذير: لا تقم بتوجيه خرطوم الضغط العالي ناحية نفسك أو الآخرين لتنظيف الملابس أو الأحذية.

تحذير: خطر الانفجار - لا تقم برش سوائل قابلة للاشتعال.

تحذير: لا يجوز استخدام آلات التنظيف بالضغط العالي من قبل الأطفال أو الأفراد غير المدربين.

تحذير: الخرطوم والتجهيزات والتعشيقات المخصصة للضغط العالي مهمة من أجل سلامة الآلة.

تحذير: تعتبر المياه التي تنقل عبر موانع التدفق العكسي غير صالحة للشرب.

تحذير: لا تستخدم الآلة إذا كانت الأجزاء الهامة من الآلة تالفة، على سبيل المثال أجهزة الأمان، وخرطوم الضغط العالي، ومسدس الضغط الصغير.

تحذير: اعتمادًا على الاستخدام، يمكن استخدام الفوهات المحمية للتنظيف بالضغط العالي، مما سوف يقلل من انبعاث الأبخرة المتطايرة المائية بشكل كبير. ومع ذلك، لا تسمح جميع الاستخدامات باستخدام مثل هذا الجهاز. إذا لم تكن الفوهات المحمية قابلة للاستخدام للحماية من الأبخرة المتطايرة، فقد تكون هناك حاجة إلى ارتداء قناع تنفسي من فئة FFP 2 أو ما يعادله، وذلك اعتمادًا على بيئة التنظيف.

■ هذه الآلة غير معدة للاستخدام من قبل الأشخاص (بما في ذلك الأطفال) الذين يعانون من ضعف القدرات الجسدية أو الحسية أو العقلية، أو الذين ليست لديهم الخبرة والمعرفة الكافية. تجب مراقبة الأطفال جيدًا، وذلك لمنعهم من اللعب بالجهاز.

■ تعرف على كيفية إيقاف المنتج وتفرغ الضغط بسرعة. اعتد جيدًا على أدوات التحكم.

■ امنع بدء التشغيل غير المتعمد للمنتج. احرص على أن يكون مفتاح الطاقة في وضع الإيقاف قبل توصيل الآلة بمجموعة البطاريات، أو النقط الجهازي أو حملته. إذا حملت الجهاز وإصبعك على مفتاح التشغيل أو إذا شحنته والمفتاح على وضع التشغيل، فقد يؤدي ذلك إلى وقوع حوادث.

■ كن على دراية دائمًا بخطورة قوة رد الفعل وعزم الدوران المفاجئ لمجموعة الرش عند تشغيل المسدس.

■ لا تعرض الجهاز أو البطارية لدرجات حرارة زائدة.

اقرأ جميع التعليمات!

اقرأ دليل التشغيل



⚠ تحذير: لضمان السلامة والاعتمادية، يجب تنفيذ جميع أعمال الإصلاح من قبل فني خدمة مؤهل.

رموز السلامة

الفرض من رموز السلامة هو جذب انتباهك إلى المخاطر المحتملة. رموز السلامة والشروح المصاحبة لها تستحق اهتمامك وفهمك الدقيق. تحذيرات كل رمز، بنفسها، لا تمنع وقوع أي خطر. التعليمات والتحذيرات التي تمنحك إياها لا تعد بديلاً عن تطبيق الإجراءات الملائمة لمنع وقوع الحوادث.

⚠ تحذير: احرص على قراءة وفهم جميع تعليمات السلامة في دليل التشغيل هذا، بما في ذلك جميع رموز تنبيهات السلامة، مثل "خطر"، و"تحذير"، و"تنبيه" قبل استخدام هذه الآلة. عدم اتباع جميع التعليمات الواردة أدناه قد يؤدي إلى حدوث صدمة كهربائية أو نشوب حريق أو التعرض للإصابة الشخصية، أحدها أو جميعها.

⚠ تحذير: خطر نشوب حريق والتعرض لحروق. لا تقم بتفكيك المنتج، أو تعريضه لحرارة أعلى من 100 درجة مئوية، أو حرقه في النيران. احفظ البطارية بعيداً عن متناول أيدي الأطفال، وفي عبوته الأصلية إلى أن يصبح جاهزاً للاستخدام. تخلص من البطاريات المستهلكة على الفور وفقاً للقوانين المحلية الخاصة بإعادة التدوير أو التخلص من النفايات.

تعليمات السلامة

هذه الصفحة تصف وتشرح رموز السلامة التي قد تظهر على هذا المنتج. اقرأ جميع التعليمات المذكورة على الآلة وافهمها واتبعها قبل محاولة تجميع الآلة وتشغيلها.

للحد من خطر التعرض لإصابة، ينبغي على المستخدم قراءة دليل التشغيل.



تنبيه سلامة



هذا المنتج متوافق مع توجيهات شهادة الجودة الأوروبية (EC) المعمول بها.



لا تقم أبداً بتوجيه الماء ناحية نفسك أو الآخرين أو الحيوانات أو مصادر الطاقة أو الوحدة نفسها.



تقييم المطابقة في المملكة المتحدة



لا تقم بتوصيل المنتج بأنابيب المياه الصالحة للشرب.



ضغط الماء



لا يجب التخلص من الأجهزة الكهربائية المستهلكة في النفايات المنزلية. توجه بالجهاز إلى مركز إعادة تدوير معتمد.



درجة حرارة التشغيل



تدفق الماء



kg كيلوجرام

تيار مستمر



MPa ميجا باسكال

V الجهد الكهربائي

L/min لتر في الدقيقة

°C درجة مئوية

IPX5 الحماية من نفثات الماء

בעיה	סיבה	פתרון
המים אינם ניתזים החוצה.	<ul style="list-style-type: none"> אין אספקת מים. המסנן חסום לחלוטין. רשת המתכת בפתח כניסת המים חסומה לחלוטין. הפיה חסומה. המשאבה, הצינורות או רכיבים אחרים קפאו. 	<ul style="list-style-type: none"> בדוק וודא שמכונת השטיפה מחוברת כראוי לאספקת המים. נקה את המסנן. הסר ונקה את רשת המתכת. השתמש במחט ניקוי הפיה כדי לעבור דרך החורים. חכה עד שיפשירו.
זרימת המים אינה יציבה.	<ul style="list-style-type: none"> אוויר זורם לתוך מכונת השטיפה. אטמי המשאבה שחוקים. 	<ul style="list-style-type: none"> בדוק וודא שצינור הסיפון מחובר כראוי. צור קשר עם מחלקת שירות הלקוחות של EGO.
התזת המים מתחילה או נפסקת באופן אוטומטי.	<ul style="list-style-type: none"> הצינור בלחץ גבוה ניזוק. יש נזילת מים מהאקדח. אטמי המשאבה, אטמי הצינור שחוקים. 	<ul style="list-style-type: none"> החלף בצינור חדש בלחץ גבוה. צור קשר עם מחלקת שירות הלקוחות של EGO. צור קשר עם מחלקת שירות הלקוחות של EGO.
האקדח לא מצליח לשלוט במכונת השאיבה.	<ul style="list-style-type: none"> מיקום האקדח הוא מעבר לטווח החיבור האלחוטי. טעינת הסוללה של תא המטבע (תא הכפתור) נמוכה. האקדח אינו משויך כראוי. סוללת תא המטבע אינה מותקנת כראוי. 	<ul style="list-style-type: none"> קרב את האקדח אל מכונת השטיפה. החלף בסוללת תא המטבע (תא כפתור) חדשה. השלם את השייך בהתאם להוראות בסעיף "שייך אקדח לחץ מהיר". התקן את סוללת תא המטבע בהתאם להוראות בסעיף "החלפת סוללת תא המטבע".

אחריות

מדיניות האחריות של EGO

ניתן לבקר באתר egopowerplus.eu כדי לעיין בתנאים וההתניות המלאים של מדיניות האחריות של EGO.

איתור וטיפול בבעיות

בעיה	סיבה	זפתרון
כשל בהפעלת מכונת השטיפה בלחץ.	<ul style="list-style-type: none"> טעינת מארז הסוללה חלשה. מארז הסוללה אינו מותקן כראוי. 	<ul style="list-style-type: none"> הטען את מארז הסוללה. דחוף את מארז הסוללה אל תא הסוללה עד להישמע „קליק“.
לא הייתה אפשרות להפעיל את מהירות הטורבו.	<ul style="list-style-type: none"> רק מארז סוללות אחד משמש להפעלת מכונת השטיפה. 	<ul style="list-style-type: none"> השתמש בשתי מארזי סוללה של 5.0Ah ומעלה.
משאבת מכונת השטיפה בלחץ מפסיקה לעבוד ומחונן המהירות במכונת השטיפה מהבהב עם שלוש נורות ירוקות.	<ul style="list-style-type: none"> מארז הסוללות של מכונת השטיפה בלחץ נמצא בטמפרטורה גבוהה מדי. הפיה חסומה. מים אינם זורמים לתוך צינור הסיפון. טעינת מארז הסוללה חלשה. תקלות אלקטרוניות אחרות. 	<ul style="list-style-type: none"> המתן עד שמכונת השטיפה בלחץ או מארז הסוללות יחזרו לטמפרטורת ההפעלה ולאחר מכן הפעל מחדש את מכונת השטיפה. השתמש במחסט ניקוי הפיה כדי לעבור דרך החורים. בדוק וודא שהמים זורמים לתוך צינור הסיפון כראוי. הטען את מארז הסוללה. צור קשר עם מחלקת שירות הלקוחות של EGO.
זרימת המים נמוכה במהלך התזה.	<ul style="list-style-type: none"> המסנן חסום חלקית. רשת המתכת בפתח כניסת המים חסומה חלקית. המסנן ומפרק המצמד המהיר של צינור הסיפון אינו שקוע במלואו במים. צינור הסיפון מקופל. המים מלוכלכים. הצינור בלחץ גבוה חסום. 	<ul style="list-style-type: none"> נקה את המסנן. הסר ונקה את רשת המתכת. יש לטבול לחלוטין את המסנן ואת המצמד המהיר במים. פתח את צינור הסיפון או החלף אותו. יש להשתמש רק במים נקיים. הסר את הפיה ולאחר מכן התחל להתיז מים מהצינור כדי לנקות את הסתימה של הצינור.

הגנה על הסביבה

אין לזרוק ציוד חשמלי, מטעני סוללות וסוללות ביחד עם אשפה ביתית! יש לקחת מוצר זה למרכז מחזור מוסמך ולוודא שהוא זמין לאיסוף נפרד. יש להחזיר כלים חשמליים אל מתקן מחזור המתאים לסביבה.



5. נקה את המכשיר ביסודיות לפני אחסונו.

6. אחסן את היחידה במקום יבש, מאוורר היטב, נעול או במקום גבוה, הרחק מהישג ידם של ילדים. אל תאחסן את יחידת הכוח קרוב לחומרי דשן, חומרי דלק או כימיקלים אחרים.

החלפת סוללת תא המטבע (איור M1&M2)

⚠ אזהרה: יש להרחיק משיג ידם של ילדים. בליעה עלולה להוביל לכוויות כימיות, ניקוב רקמות רכות ומוות. כוויות חמורות יכולות להתרחש תוך שעותיים מהבליעה. יש לפנות מיד לטיפול רפואי.

שים לב: לעולם אל תדחוף את הסוללה ישירות לתוך התא (איור M3). אחרת, שני ההדקים יינזקו, ויגרמו לכשל בשלט הרחוק של האקדח.

M3-1	הדקים
------	-------

הערה: תקן את האקדח עם מכונת השטיפה בלחץ לאחר החלפת סוללת תא המטבע בהתאם להוראות בסעיף "שיוך אקדח לחץ מהיר".

ניקוי המסננים

- יש לפתוח את הברגים ולהסיר את הידית שעל פתח כניסת המים, ולאחר מכן להוציא את רשת המתכת מפתח כניסת המים, לשטוף את רשת המתכת או להחליף אותה במידת הצורך (איור N1).

N1-1	רשת מתכת
------	----------

- הוצא את המסנן מצינור הסיפון. הברג את המסנן ושטוף אותו היטב (איור N2).

ניקוי הפיות (איור O)

כאשר החורים של הפיות חסומים, ניתן להשתמש במחץ ניקוי הפיה שסופקה כדי לעבור דרך החורים ולפנות את סתימה.

הובלת מכונת השטיפה בלחץ (איור P)

לחץ על לחצן נעילת הידית ואז הוצא את הידית הטלסקופית לרמת האורך הראשונה עד הישמע ה"קליק". אם תרצה, תוכל ללחוץ על לחצן נעילת הידית, ולאחר מכן משוך את הידית הטלסקופית החוצה לרמת האורך השנייה.

אחסון מכונת השטיפה בלחץ

- עצור את מכונת השטיפה בלחץ, שחרר לחץ, רוקן מים והוצא את מארז הסוללות ממכונת השטיפה בלחץ בהתאם להוראות בסעיף "כדי לעצור את מכונת השטיפה בלחץ".
- יש לאחסן את הפיות באזור אחסון הפיה של מכונת השטיפה בלחץ (איור Q1).
- גלגל את הצינור בלחץ גבוה ואחסן אותו מאחורי הידית הטלסקופית (איור Q2).
- אחסן את האקדח ואת מכלול הכידון והמוט בתושבת המחזיק או נתק את האקדח ואחסן אותו בתושבת המחזיק העליונה (איור Q3).

הערה: כאשר מוכנס מארז סוללות אחד בלבד, לא ניתן להשיג את מהירות הטורבו ובכל פעם שלוחצים על לחצן המהירות, המהירות תעבור בין רמה גבוהה לרמה נמוכה.

הערה: אם מכונת השטיפה בלחץ ממשיכה לפעול במהירות טורבו, זמן הפעולה לכל טעינה עשוי להיות מושפע.

ניקוי עם חומר ניקוי

⚠ אזהרה: השתמש רק בחומרי ניקוי שיוצרו במיוחד לשימוש עם מכונת שטיפה בלחץ. ציית להוראות היישום, הסילוק והבטיחות של יצרן חומרי הניקוי.

- סובב את בקבוק תותח הקצף נגד כיוון השעון והוצא אותו (איור L1).
- יש לשפוך חומר ניקוי לבקבוק.

הודעה: הטמפרטורה של חומר הניקוי לא תעלה על 60°C.

- החלף את תותח הקצף וחבר אותו למצמד המהיר של האקדח.
- סובב את ידית חומר הניקוי כדי להתאים את כמות חומר הניקוי המתווספת לזרימת המים בהתאם לצרכים שלכם (איור L2).

תחזוקה

⚠ אזהרה: על מנת למנוע פציעות אישיות חמורות, הוציאו את מארז הסוללה מהמכשיר לפני ביצוע כל עבודות שירות, ניקיון, החלפת אביזרים או הוצאה של חומרים מן היחידה.

תחזוקה כללית

הימנע משימוש בממסים כאשר אתה מנקה את חלקי הפלסטיק. רוב חלקי הפלסטיק עלולים להיזק מסוגים שונים של ממסים מסחריים ועל ידי השימוש בהם. השתמשו במטלית נקיה על מנת להסיר לכלוך, אבק, שמן, חומר סיכה וכו'.

⚠ אזהרה: לעולם אל תאפשרו לנוזלי בלימה, בנזין, מוצרים מבוססי בנזין, שמנים וכו' לבוא במגע עם חלקי פלסטיק. חומרים כימיים עלולים להזיק, להחליש או להרוס את הפלסטיק והדבר עלול לגרום לפציעה אישית חמורה.

⚠ אזהרה: על מנת להפחית את הסיכוי לשרפה, פציעה אישית ולא לגרום לנזק בשל קצר חשמלי, לעולם אין לטבול את המכונה, את הסוללה או את המטען בתוך נוזלים ואין לאפשר לנוזלים כלשהם לזרום לתוכם. נוזלים הגורמים לקורוזיה או נוזלים מולכים, כגון מי ים, כימיקלים תעשייתיים מסוימים ומלבינים או מוצרים המכילים מלבינים, עלולים לגרום לקצר.

2. לחץ לחיצה ארוכה על לחצן המהירות במכונת השטיפה בלחץ גבוה עד ששלוש הנורות הירוקות שלה יתחילו להבהב.
- הערה:** ההבהוב יימשך כ-20 שניות, כך שניתן לשייך את האקדח רק בזמן זה. ניתן גם ללחוץ לחיצה קצרה על לחצן המהירות במכונת השטיפה כדי לצאת ממצב השייך בכל עת.
3. לחץ לחיצה ארוכה על לחצן המהירות באקדח עד ששלושת האורות הירוקים שלו יתחילו להבהב, מה שאומר שתהליך השייך החל.
- הערה:** ההבהוב המציין את תהליך השייך יימשך כ-10 שניות. ניתן ללחוץ על לחצן המהירות באקדח כדי לצאת מתהליך השייך בכל עת.
4. מחווני המהירות במכונת השטיפה ובאקדח יציגו שלושה אורות ירוקים יחד במשך 3 שניות כדי לציין שהשייך הצליח, ואז יציגו שני אורות ירוקים.
5. אם השייך נכשל, מחווני המהירות במכונת השטיפה ובאקדח יבהבו בשלושה אורות ירוקים ולאחר מכן יכבו.

שימוש בשלט רחוק

- לאחר השלמת השייך, לחץ על לחצן המהירות פעם אחת על האקדח, מד הדלק 5-LED ומחוון המהירות יידלקו. לחץ שוב על לחצן המהירות כדי לשנות את המהירות בפועל.
- הערה:**
- מד הדלק 5-LED ומחוון המהירות יכבו כאשר אין פעילות נוספת בכפתור המהירות של האקדח, תוך 10 שניות.
 - מד הדלק 5-LED מציין את רמת טעינת הסוללה. כאשר מותקנים שני מארזי סוללה, הדבר מציין את רמת מארז הסוללות עם הטעינה הגבוהה יותר.
 - מחוון המהירות על האקדח מסונכרן תמיד עם מחוון המהירות ביחידת מכונת השטיפה בלחץ.

בחירת מהירות

- ניתן לכוונן את מהירות מכונת השטיפה בלחץ באמצעות לחצן המהירות במכונת השטיפה או באקדח המשייך.
- ניתן לכוונן את מהירות מכונת השטיפה בלחץ כאשר מכונת השטיפה מופעלת או במהלך ההתזה.
- בכל לחיצה על לחצן המהירות, המהירות תעבור בין רמה גבוהה, רמת טורבו ורמה נמוכה. מחוון המהירות מציג אור ירוק אחד, שני אורות ירוקים או שלושה אורות ירוקים כדי לציין שמכונת השטיפה בלחץ הפועלת במהירות נמוכה, במהירות גבוהה או טורבו, בהתאמה.

הערה: כאשר מכונת השטיפה בלחץ מופעלת אך ללא פעולות נוספות, מכונת השטיפה תכבה אוטומטית לאחר 5 דקות של המתנה. במהלך הדקות הראשונות של המתנה, מחוון המהירות במכונת השטיפה בלחץ יבהב עם שלוש נורות ירוקות, המעידות על כך שאין מים זורמים לתוך צינור הסיפון.

6. החזק את האקדח בשתי ידיים, לחץ על צד פתיחת הנעילה של כפתור הנעילה ולאחר מכן לחץ על ההדק עד ליצירת זרימת מים קבועה.
- הערה:** אם הכידון מחובר, החזק את האקדח ביד אחת ואת הכידון ביד השנייה.
7. התחל לשטוף בתרסיס.

הערה: ייתכן שיחלוף זמן מה עד שהמים יגיעו מהמקור וייצאו מהפיה כתרסיס יציב. כדי להשיג זרימת מים יציבה במהירות, ייתכן שתצטרך לבצע את הפעולות הבאות:

- a. הסר את הפיה.
- b. לחץ על ההדק והמתן עד שזרם מים יציב יתחיל לצאת מהמוט.
- c. שחרר את ההדק והתקן מחדש את הפיה.

לעצירת מכונת השטיפה בלחץ

1. לאחר סיום השטיפה, שחרר את ההדק ולחץ על כפתור הנעילה כדי לנעול את המיקום.
2. לחצו על לחצן ההפעלה כדי לכבות את ממיר המתח.
3. סגור את ברז המים או הוצא את צינור הסיפון מדלי המים.
4. לחץ על לחצן הנעילה של האקדח למצב פתיחת נעילה ולחץ על ההדק כדי לרוקן את המים מהצינורות.
- הודעה:** אין לנתק את האקדח, הצינורות, המוטות הפיות או תותח הקצף כל עוד המים נשארים בצינורות.
5. נתק והסר את האקדח, הצינורות, המוטות, הפיות או תותח הקצף.
6. לחץ על לחצן ההפעלה כדי להפעיל את מכונת השטיפה בלחץ כדי לרוקן את המים ממכונת השטיפה בלחץ.
7. לחץ שוב על לחצן ההפעלה כדי לכבות את מכונת השטיפה בלחץ.
8. הסירו את ערכ(ו)ת הסוללה.

שלט רחוק

ניתן להצמיד את האקדח למכונת השטיפה בלחץ כדי שיתפקד כשלט רחוק.

שייך אקדח בלחץ מהיר (איור K)

1. הכנס את מארזי הסוללות והפעל את מכונת השטיפה בלחץ גבוה.

הפעלה

יישום

ניתן להשתמש במוצר אך ורק לצורך המטרות המפורטות להלן:

- ניקוי לכלוך על מכונות, קירות, רצפות וכו'.

הצמדה/הסרה של מארז הסוללה

יש להשתמש רק במארזי הסוללה והמטענים של EGO המפורטים באיור A2.

עיינו במדריכי הסוללות והמטענים התואמים לפרטים נוספים.

יש לבצע הטענה מלאה לפני השימוש הראשון.

הערה: שימוש במארז סוללות אחד לא יאפשר לך להשיג מהירות טורבו. לביצועים מיטביים, אנו ממליצים להשתמש במארזי סוללה של 5.0Ah או יותר.

- הרם את מכסה תא הסוללות על ידי הרמת החלק הקדמי של המכסה.
- להצמדה,** ישרו את ערוקי הסוללה עם חריצי ההרכבה ולחצו את מארז הסוללה כלפי מטה עד הישמע "קליק". חברו את הסוללה השנייה. (איור I1)
- כדי לנתק,** לחץ על כפתור שחרור הסוללה והוצא את מארז הסוללה (איור I2).

I2-1	כפתור שחרור סוללה
------	-------------------

- סגרו את מכסה תא הסוללות.
- ### הפעלה/כיבוי של מכונת השטיפה בלחץ (איור J)

להפעלת מכונת השטיפה בלחץ

הודעה: אין להפעיל את מכונת השטיפה בלחץ ללא אספקת מים מחוברת ומופעלת. הדבר עלול לפגוע באטמים בלחץ גבוה ולקצר את חיי המשאבה.

- ודא כי צינור הסיפון, צינור הלחץ הגבוה, האקדח, והפיה מחוברים כראוי.
- חבר כידון, מוט, תותח קצף, מסנן לפי הצרכים שלך.
- בחר אחת מהדרכים הבאות לאספקת מים:
 - בעת שימוש בצינור גינה (לא מסופק), חבר את מכונת הכביסה בלחץ לצינור הגינה ולאחר מכן פתח את ברז המים.
 - בעת שימוש בדלי מים, חבר את המסנן לצינור הסיפון ולאחר מכן טבול את המסנן ואת המצמד המהיר במלואו לתוך דלי המים.
- התקן את מארז הסוללה.
- לחץ על לחצן ההפעלה כדי להפעיל את מכונת השטיפה בלחץ. מכונת השטיפה בלחץ תפעל תמיד במהירות גבוהה לאחר כל התחלה.

חיבור פיה (איור F1 / איור F2)

הערה: לא ניתן לחבר את הפיות לכידון.

- בחר את פייט 15°, פייט 25°, פייט 40° או פייט טורבו להתקנה על המוט (איור F1).

F1-1	פייט 15°	F1-2	פייט 25°
F1-3	פייט 40°	F1-4	פייט טורבו

- פייט השטיפה מחוברת ישירות לאקדח (איור F2).

F2-1	פייט שטיפה
------	------------

⚠ אזהרה: החזק תמיד את האקדח ביד אחת ואת הפיה ביד השנייה בעת ניתוק הפיה מהאקדח. פגיעה גופנית עלולה להיגרם אם הפיה קופצת החוצה.

השתמש בטבלה הבאה כדי לבחור את הפיה המתאימה למשימה.

בחירת פיה	יישומים
פיה צהובה 15°	לניקוי משטחי מתכת, בטון או עץ קטנים.
פיה ירוקה 25°	לניקוי משטחי מתכת, בטון או עץ גדולים יותר.
פיה לבנה 40°	לניקוי משטחי מתכת, בטון, עץ או ויניל רחבים.
פייט שטיפה אפורה	לשטיפת כלי רכב. לשטיפת חומר הניקוי ממתכת, בטון, עץ או ויניל.
פייט טורבו	לניקוי משטחים קשים בלבד. כדי למנוע נזק לפני השטח, אין להשתמש על מכונות ומשטחי עץ.

חיבור תותח הקצף (איור G)

תותח הקצף מחובר ישירות לאקדח.

כדי להתנתק, משוך לאחור את הטבעת החיצונית של המצמד המהיר, ולאחר מכן משוך והסר את תותח הקצף.

חיבור צינור הסיפון (איור H1 – איור H2)

בעת שימוש בדלי מים (לא מסופק) כמקור מים, חבר את מכונת השטיפה בלחץ לצינור הסיפון.

הערה: מלא מראש את הדלי כך שכאשר הוא שקוע הפילטר לא יוצף אל פני השטח.

חיבור לצינור גינה (לא מסופק)

בעת שימוש בברז מים (לא מסופק) כמקור מים, חבר את מכונת השטיפה בלחץ לצינור גינה (לא מסופק).

- 19. כידון חיבור מהיר
 - 20. צינור בלחץ גבוה
 - 21. צינור סיפון
 - 22. ערכת מצמד מהיר (x2)
 - 23. תותח קצף
 - 24. מסנן
 - 25. מחט ניקוי פיה
 - 26. פיית שטיפה
 - 27. פיית 40°
 - 28. פיית 25°
 - 29. פיית 15°
 - 30. פיית טורבו
 - 31. אקדח לחץ מהיר
 - 32. מכסה סוללה
 - 33. מד דלק בעל 5 נוריות לד
 - 34. מחוון מהירות
 - 35. לחצן מהירות
 - 36. ידית האקדח
 - 37. הדק
 - 38. כפתור נעילה
- ערך הרטט הכללי המוצהר נמדד בהתאם לשיטת בדיקה סטנדרטית וניתן להשתמש בו על מנת להשוות ציוד אחד עם ציוד אחר;
 - ניתן להשתמש בערך הרטט הכללי המוצהר בהערכה ראשונית של חשיפה.
- הודעה:** פליטת הרטט בעת השימוש המעשי בכלי יכולה להיות שונה מן הערך המוצהר כאשר הכלי נמצא בשימוש; על מנת להגן על המפעיל, על המשתמש ללבוש כפפות ומגני אוזניים בעת השימוש למעשה.

אביזרים מומלצים

⚠ אזהרה: השתמשו רק באביזרים המפורטים להלן. שימוש באביזרים אשר לא מתאימים למפרטים של הציוד המקורי עלולים להוביל לביצועים לא מתאימים ולפגוע בבטיחות הציוד.

שם חלק	מספר דגם
תותח קצף פרמיום	AFC2000E
פיית טורבו	ANZ2000E-T
פיית 15°	ANZ2015E
פיית 25°	ANZ2025E
פיית 40°	ANZ2040E
פיית שטיפה	ANZ2000E-R

הרכבה

התקנת מכלול תושבת המחזיק (איור B)

B-1	תושבת מחזיק עליון	B-2	תושבת מחזיק תחתון
B-3	ברגים		

חיבור הצינור בלחץ גבוה (איור C – איור D)

ניתן לחבר את הצינור בלחץ גבוה באחת מהדרכים הבאות:

- חבר את הצינור בלחץ גבוה לפתח יציאת המים ולתותח ישירות באמצעות מחברים מושחלים (איור C1-איור C2);
 - חבר את הצינור בלחץ גבוה לפתח יציאת המים ולתותח באמצעות שתי מערכות מצמדים מהירים להשגת התקנה/הסרה קלה (איור D1 – איור D2).
- הערה:** ערכות המצמדים המהירים הותקנו במפעל על פתח יציאת המים, הצינור בלחץ גבוה, והאקדח.

חיבור הכידון והמוט (איור E1 – איור E2)

כדי להתנתק, הברג החוצה את המוט מהכידון ואז משוך אותו החוצה; שחרר את הכפתור על הכידון ואז משוך לאחור את הטבעת החיצונית של המצמד המהיר של האקדח כדי לשלוף את הכידון.

⚠ אזהרה: החזק תמיד את האקדח ביד אחת ואת הכידון ביד השנייה כשאתה מנתק את הכידון מהאקדח. פציעה גופנית עלולה להיגרם אם הכידון נופל.

שימת אריזה (איור A1)

תיאור

הכר את מכוונת השטיפה בלחץ שלכם (איור A1)

1. ידית טלסקופית
2. לחצן נעילת ידית
3. תושבת מחזיק עליון
4. גלגל (x2)
5. תושבת מחזיק תחתון
6. פתח כניסת מים
7. פתח יציאת מים
8. לחצן מהירות
9. מחוון מהירות
10. כפתור הפעלה
11. תא מארז הסוללה
12. אחסון פיית
13. מכסה תא מארז הסוללה
14. חיבורים חשמליים
15. מנגנון פליטה
16. כפתור שחרור סוללה
17. רצועת מחזיק הצינור
18. מוט נירוסטה

- יש להוציא סוללות נטענות מהמכשיר לפני הטעינה
- אין לערב סוגים שונים של סוללות או סוללות חדשות ומשומשות.
- יש להוציא סוללות ריקות מהמכשיר ולהשליך אותן בבטחה.
- יש להוציא את הסוללות מן המכשיר אם לא נעשה בו שימוש במשך תקופה ארוכה.
- אין להשתמש בסוללות שאינן נטענות במקום בסוללות נטענות.
- אין להשתמש בסוללות ששוננו או ניזוקו.
- יש להשתמש רק במארזי הסוללה ובמטענים המומלצים.**

יש לשמור על הוראות אלו. יש לעיין בהוראות לעתים תכופות ולעקוב אחריהן כדי שתוכלו להדריך אחרים העשויים להשתמש במכונה. אם אתם מלווים את המכונה למישהו אחר, תנו לו גם את ההוראות הללו על מנת למנוע שימוש לא נכון של המוצר או פציעות אפשריות.

מפרטים

ולט	56 V
לחץ מדורג מרבי	135 בר
זרימה מדורגת מרבית (עם כידון חיבור מהיר ומוט נירוסטה מחוברים)	6.5 ליטר/דקה
זרימה מדורגת מרבית (עם אקדח לחץ מהיר בלבד מחובר)	9.5 ליטר/דקה
לחץ מירבי מוגבל עבור אקדח	250 בר
זרם מירבי מוגבל עבור אקדח	30 ל/דקה
משקל (ללא מארז סוללה)	16.8 ק"ג
טמפרטורת הפעלה מומלצת	5°C עד 40°C
טמפרטורת אחסון מומלצת	-20°C עד 70°C
רמת עוצמת קול נמדדת L_{WA}	84 dB(A) 1.8=K
רמת לחץ קול באוזן המפעיל L_{PA}	72 dB(A) 3=K
רמת עוצמת קול מובטחת L_{WA} (בהתאם ל-2000/14/EC)	86 dB(A)
רטט a_n	3.6 מ'שנייה ² 0.9 מ'שנייה ²

⚠ אזהרה: יש לקרוא ולהבין את כל ההוראות לפני השימוש במכשיר. אי מילוי אחר כל ההוראות המופיעות למטה יכול לגרום להלם חשמלי, שרפה ו/או פציעות אישיות חמורות.

⚠ אזהרה: במהלך השימוש של מכונות ניקוי בלחץ גבוה, עשויים להיווצר רסיסים. שאיפת רסיסים עלולה להיות מסוכנת לבריאות.

⚠ אזהרה: סילונים בלחץ גבוה יכולים להיות מסוכנים אם נעשה בהם שימוש בלתי הולם. אסור לכוון את הסילון על בני אדם. ציוד חשמלי חי או על המכונה עצמה.

⚠ אזהרה: אין להשתמש במכונה בסביבת אנשים, אלא אם הם לובשים ביגוד מגן.

⚠ אזהרה: אין לכוון את הסילון נגד עצמך או אחרים כדי לנקות בגדים או נעליים.

⚠ אזהרה: סיכון לפיצוץ – אין להתיז נוזלים דליקים.

⚠ אזהרה: ילדים או אנשי צוות לא מיומנים אינם רשאים לעשות שימוש במכשירי ניקוי בלחץ גבוה.

⚠ אזהרה: צינורות, אביזרים וצימודים בלחץ גבוה חשופים לבטיחות המכונה.

⚠ אזהרה: מים שזרמו דרך מונעי זרימה חוזרת נחשבים כבלתי ראויים לשתיה.

⚠ אזהרה: אין להשתמש במכונה אם חלקים חשובים של המכונה ניזוקו, כגון התקני בטיחות, צינורות לחץ גבוה, אקדח לחץ מהיר.

⚠ אזהרה: בהתאם ליישום, ניתן להשתמש בפיות מוגנות לניקוי בלחץ גבוה, אשר יפחיתו את פליטת רסיסי המים באופן דרמטי. עם זאת, לא כל היישומים מאפשרים שימוש בהתקן כזה. אם לא ניתן להשתמש בפיות מוגנות להגנה מפני רסיסים, ייתכן שיהיה צורך במסכת נשימה מסוג FFP 2 או מסכה דומה, בהתאם לסביבת הניקוי.

מכשיר זה אינו מיועד לשימוש על ידי אנשים (כולל ילדים) עם יכולות פיזיות, חושיות או נפשיות מוגבלות, או חוסר ניסיון וידע. יש להשגיח על ילדים ולהבטיח שהם אינם משחקים עם המכשיר.

למד איך לעצור את המוצר ולנקז לחץ במהירות. למד היטב את הבקורות ואת השימוש המתאים במכונה.

יש להימנע מהפעלה מקרית. יש לוודא שהמתג במצב כבוי לפני חיבור המכשיר החשמלי למארז הסוללה, או לפני הרמתו או נשיאתו. נשיאת המכשיר כאשר האצבע שלך ממוקמת על המתג או חיבור מקורות מתח למכשיר הנמצא במצב פועל, מזמזמים תאונות.

היה מודע תמיד לסכנה של כוח התגובה ולמומנט הפתאומי על גוף ההתזה בעת הפעלת האקדח.

אין לחשוף את המכשיר או את הסוללה לטמפרטורות חריגות.

שים לב לסיכון שהמסופים של הסוללה או המכשיר המופעל באמצעות סוללה יקוצרו על ידי עצמים מתכתיים.

אנא קראו את כל ההוראות!

קראו את המדריך למשתמש

⚠ אזהרה: על מנת להבטיח בטיחות ואמינות, יש לבצע את כל התיקונים וההחלפות בעזרת טכנאי שירות מוסמך.

סמל בטיחות

מטרתם של סימני הבטיחות היא למשוך את תשומת לבכם אל סכנות אפשריות. סמלי הבטיחות וההסברים שלהם דורשים את תשומת הלב וההבנה המלאות שלך. סימני הבטיחות בעצמם לא ימנעו כל סכנה. ההוראות והאזהרות אותם הם מספקים לא תחלפנה נקיטת אמצעי מניעה מתאימים בעת תאונה.

⚠ אזהרה: ודאו שאתם קוראים ומבינים את כל ההוראות הבטיחות המופיעות במדריך זה למשתמש, כולל כל סימני התראות הבטיחות כגון „סכנה“, „אזהרה“ ו „זהירות“ לפני השימוש במכשיר. אי מילוי אחר כל ההוראות המופיעות למטה יכול לגרום להלם חשמלי, שרפה ו/או פציעות אישיות חמורות.

⚠ אזהרה: סכנת שרפה וכוויות. נא לא לפרק, לחמם אל מעל 100°C או לשרוף. שימרו על הסוללה מחוץ להישג ידם של ילדים ובאריזתו המקורית עד לשימוש. זרקו סוללות ללא דיחוי בהתאם לתקנות מקומיות בנוגע למחזור או אשפה.

הוראות בטיחות

עמוד זה מצוין ומתאר את סימני הבטיחות העשויים להופיע על גבי המוצר. קראו, הבינו ועקבו אחר ההוראות המופיעות על המכשיר לפני כל ניסיון להרכיב ולהשתמש בו.

כדי להפחית את הסיכון לפציעות, יש לקרוא את המדריך למשתמש.

התראת בטיחות

מוצר זה תואם לתקנות ה-EC הרלוונטיות.

לעולם אין לרסס על עצמך, אחרים, בעלי חיים, מקורות חשמל, או על היחידה עצמה.

הערכת התאמה בבריטניה

אין להתחבר לרשת המים הראויים לשתייה.

לחץ מים

אין לזרוק מוצרים חשמליים עם האשפה הביתית. יש להביא את המכשיר למרכז מחזור מוסמך.

טמפרטורת הפעלה

זרם מים

kg קילוגרם

זרם ישיר

MPa מגהפסקל

V וולט

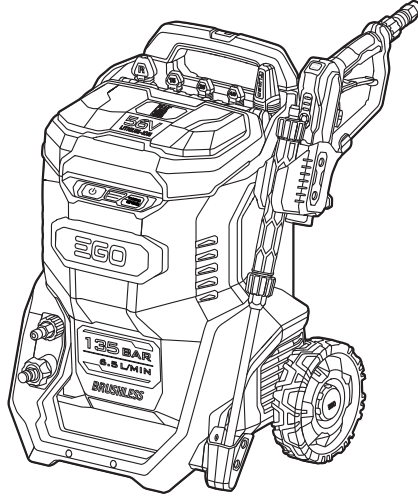
L/min ליטר לדקה

°C צלזיוס

IPX5 הגנה מפני זרנוקי מים

EGO™

POWER⁺ CLEANING



HPW2000E

56V LITHIUM-ION
PRESSURE WASHER

מכונת שטיפה בלחץ ליתיום-יון 56V HE

مغسلة الضغط العالي ببطارية ليثيوم-أيون
56 فولت AR

